

# 34S / 34LS Parts Catalog

## Second Color Head

W2001

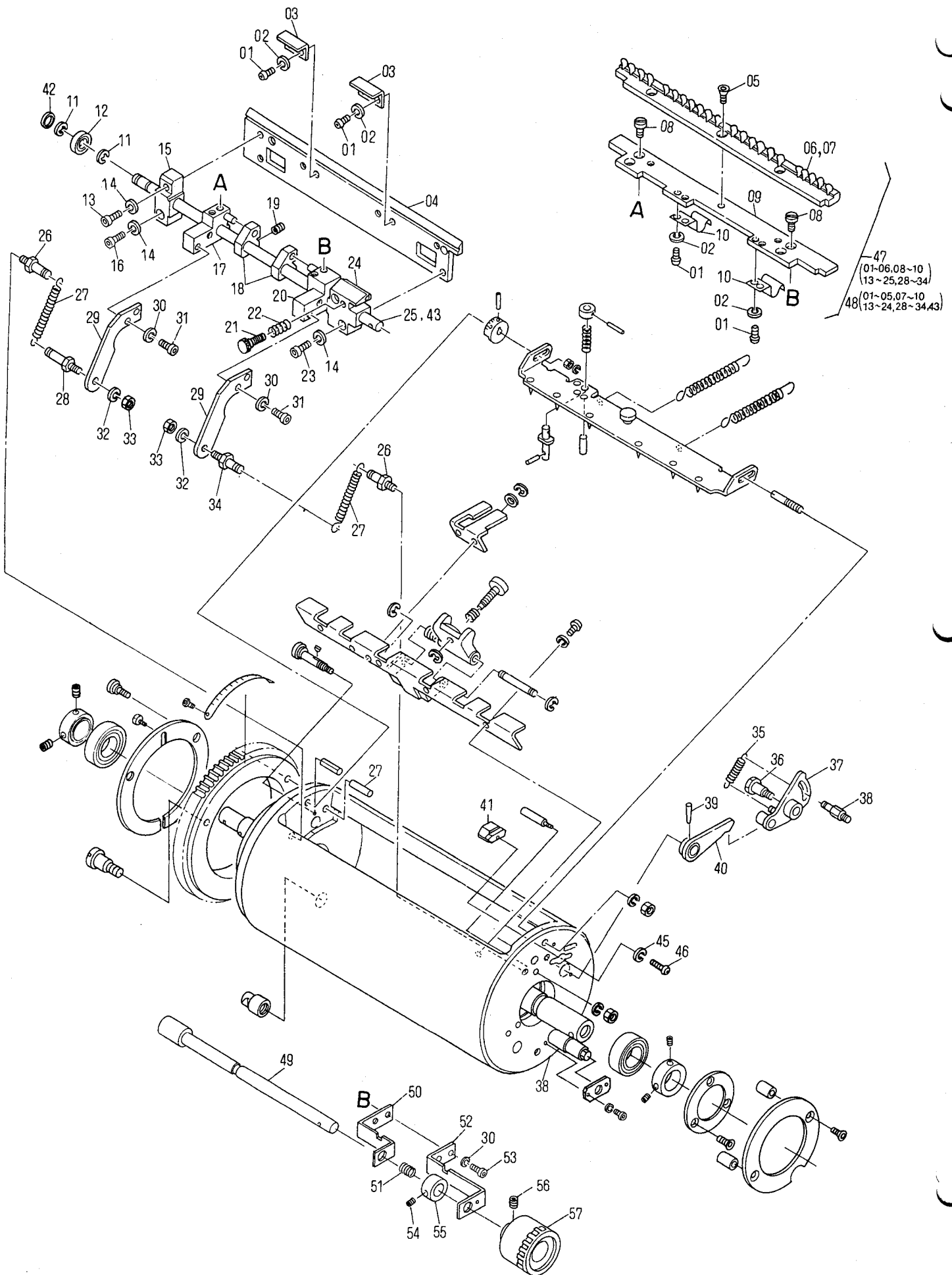


Plate Cylinder ( Type -  $\begin{matrix} 7B-1 \\ 7B-3 \\ 17B-3 \end{matrix}$  )

W2001

INDEX No.	Parts No.	Description	Remarks	Units Per Assy
01	125-655	Screw		8
02	180-104	Lock Washer		8
03	CM14-14	Stopper		2
04	6902-04008A	Plate		1
05	122-055	Screw		3
06	6902-04009	Plate Clamp	On Center	Type-17B-3, 7B-3 1
07	6902-17004	Plate Clamp	Off Center	Type-7B-1 1
08	CM14-19	Screw		2
09	6902-04007	Plate		1
10	CM14-50	Plate Spring		2
11	181-410	E-Ring		2
12	CM14-13	Bearing		1
13	117-520	Screw		1
14	180-105	Lock Washer		4
15	6902-04015	Block		1
16	117-525	Screw		1
17	CM14-05A	Block		1
18	CM14-32	Block		2
19	147-098	Screw		2
20	CM14-04A	Block		1
21	CM14-25	Screw Knob		1
22	CM14-26	Spring		1
23	117-518	Screw		1
24	6902-04014	Block		1
25	6902-04006	Shaft		1
26	CM14-29	Stud Bolt		2
27	CM14-56	Spring		2
28	6902-04010	Stud Bolt		2
29	6902-04023	Arm		2
30	180-106	Lock Washer		6
31	117-365	Screw		4
32	180-108	Lock Washer		2
33	170-108	Nut		2
34	6902-04032	Stud Bolt		1
35	128-31-3	Spring		1
36	6902-04020	Stud Bolt		1
37	6907-04015A	Lever		1
38	6902-04021	Stud Bolt		1
39	182-166	Taper Pin		1
40	6902-04022A	Lever		1
41	6902-04024	Guide Key		1
42	6907-04011	Spacer		1
43	6902-17005	Shaft		1
44	6902-04013	Adjusting Screw		1
45	180-105	Lock Washer		1
46	125-715	Screw		1
47	6902-04009B	Head Clamp Bracket Assy	(01-06, 08-10, 13-25, 28-34)	1
48	6902-17004B	Head Clamp Bracket Assy	(01-05, 07-10, 13-24, 28-34, 43)	1
49	6907-04008	Adjustment Shaft		1
50	6907-04010	Bracket		1
51	A04-52-3	Spring		1
52	6907-04013	Bracket		1
53	117-362	Screw		2
54	141-406	Set Screw		1
55	M02-16-3	Collar		1
56	140-360	Set Screw		1
57	6805-02042	Handle		1

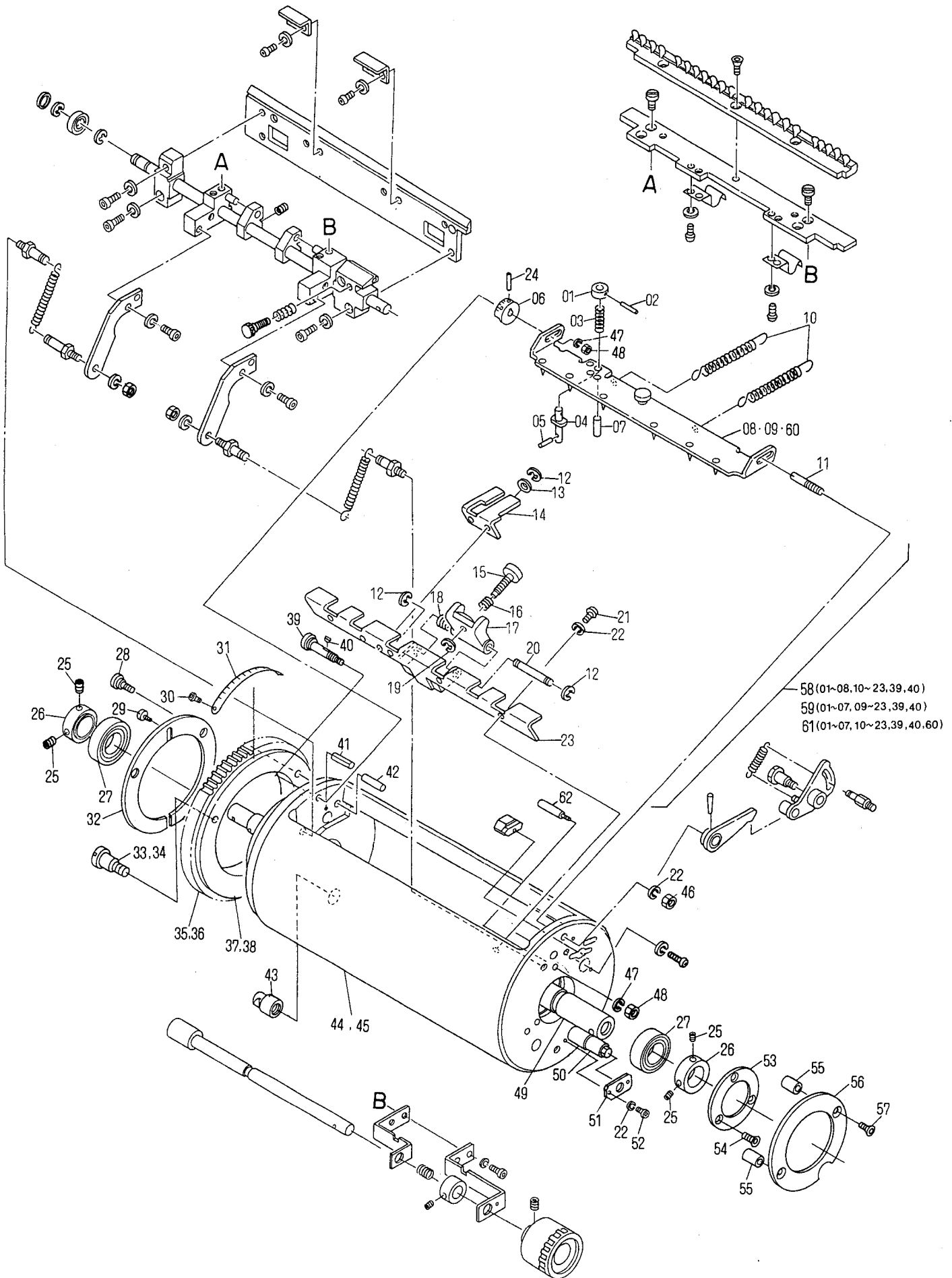
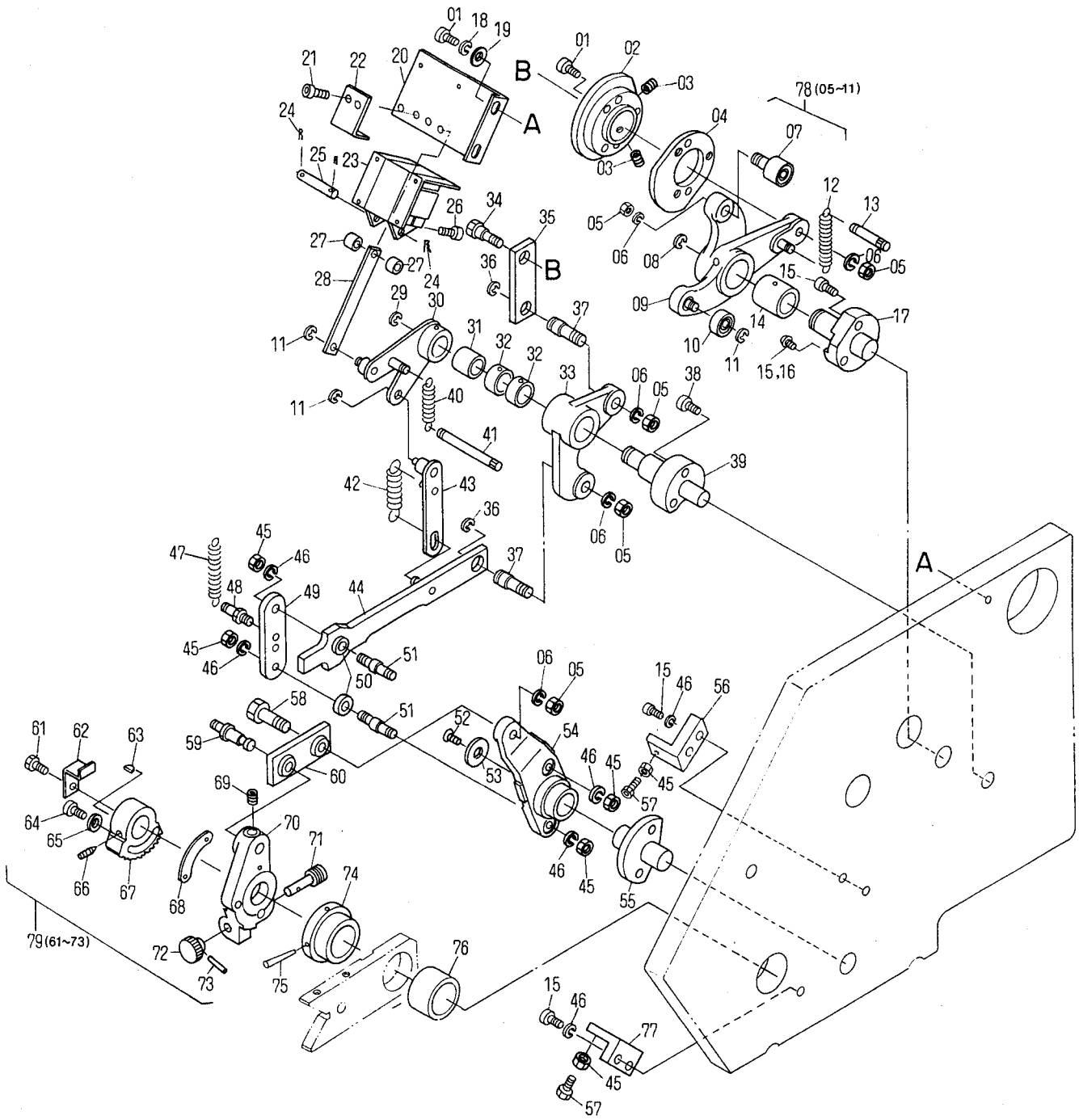


Plate Cylinder (Type - 7B-1  
7B-3  
17B-3)

W2002

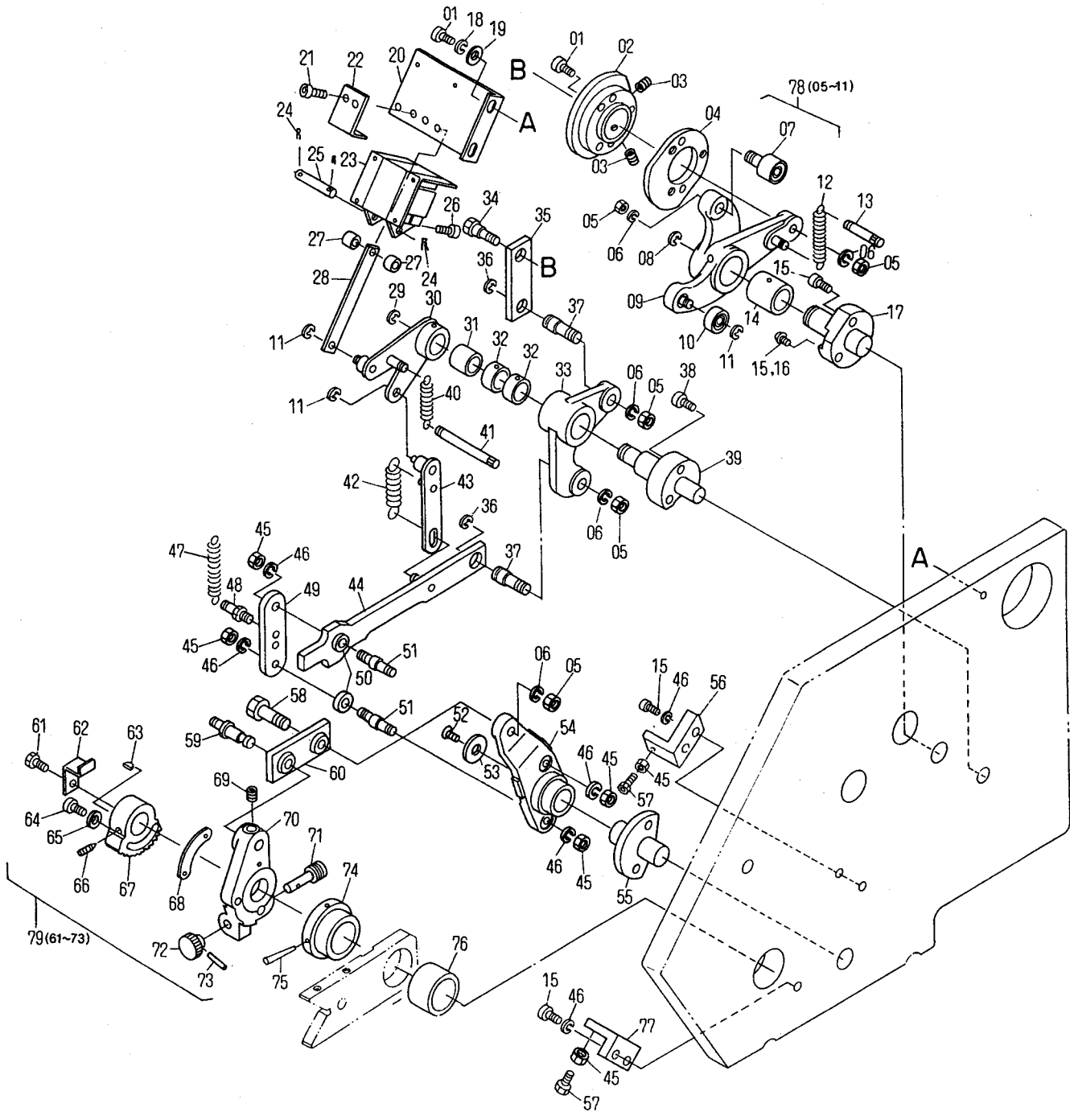
INDEX No.	Parts No.	Description	Remarks	Units Per Assy
01	CM14-18	Knob		1
02	183-153.01	Roll Pin		1
03	CM14-40	Spring		1
04	CM14-17	Rock Pin		1
05	183-151.01	Roll Pin		1
06	6902-03058	Handle		1
07	181-148	Roll Pin		1
08	6907-04016A	Guide Plate On Center	Type-17B-3	1
09	6907-17003A	Guide Plate Off Center	Type-7B-1	1
10	CM14-21	Spring		2
11	6902-04016	Pin		1
12	181-405	E-Ring		4
13	184-106.3	Flat Washer		2
14	6902-04012	Lock Plate		1
15	6902-04028	Adjustment Screw		1
16	MC14-43	Spring		1
17	CM14-47	Support Plate Bracket		1
18	H31-13-3	Spring		1
19	181-403	E-Ring		1
20	MC14-15	Pin		1
21	125-710	Screw		4
22	180-105	Lock Washer		4
23	6902-04002A	Support Plate	Type-17B-3	1
24	183-205	Roll Pin		1
25	145-358	Set Screw		4
26	G22-05-01-3	Collar		2
27	M22-02-3	Bearing		2
28	4807-04010	Screw		2
29	CM03-20	Screw		1
30	125-606	Screw		2
31	6907-04021	Scale		1
32	4807-04005	Plate Cylinder Ring Gear Disk		1
33	6907-04020	Bolt		2
34	6902-03028	Bolt		2
35	6907-04012	Gear	Type-7B-1, 7B-3	1
36	6907-15002	Gear	Type-17B-3	1
37	6907-04003	Plate		1
38	6907-04019	Plate		1
39	6907-04007	Eccentric Pin		1
40	I11-09-3	Key		1
41	183-211	Roll Pin		1
42	M04-74-3	Roll Pin		1
43	6907-04006	Nut		1
44	6907-04001	Plate Cylinder	Type-7B-1, 7B-3	1
45	6907-15001	Plate Cylinder	Type-17B-3	1
46	170-106	Nut		1
47	180-108	Lock Washer		2
48	170-108	Nut		2
49	6907-04002	Plate Cylinder Shaft		1
50	6907-04005	Shaft		1
51	6907-04014	Stopper		1
52	125-712	Screw		2
53	G22-06-3	Bearing Retainer		1
54	122-110	Screw		3
55	4207-12076	Spacer		2
56	6907-04004	Plate		1
57	122-185	Screw		2
58	6907-04016B	Tail Clamp Bracket Assy (01~08, 10~23)	Type-17B-3	1
59	6907-17003B	Tail Clamp Bracket Assy (01~07, 09~23)	Type-7B-1	1
60	6907-17002A	Guide Plate	Type-7B-3	1
61	6907-17002B	Tail Clamp Bracket Assy (01~07, 10~23, 60)	Type-7B-3	1
62	6902-04017	Pin		1



**Main Press Section  
P-B Pressure Mechanism**

**W2003**

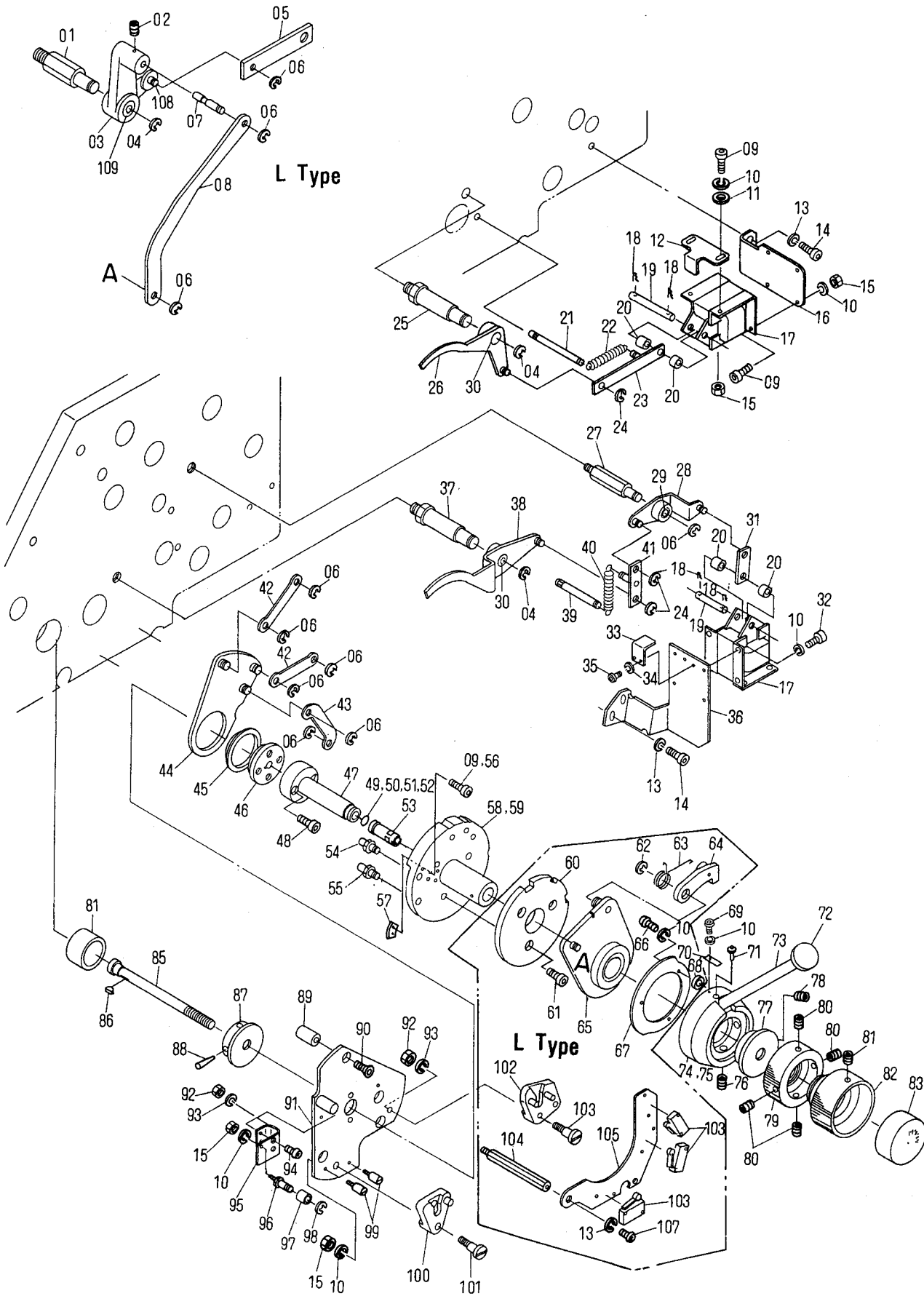
INDEX No.	Parts No.	Description	Remarks	Units Per Assy
01	117-510	Screw		5
02	6907-10015	Cam		1
03	145-510	Set Screw		2
04	6907-10016	Cam		1
05	170-108	Nut		2
06	180-108	Lock Washer		2
07	258-651.3	Cam Follower		1
08	181-412	E-Ring		1
09	6907-10001B	Lever		1
10	250-126.6	Bearing		1
11	181-404	E-Ring		1
12	F42-13-3	Spring		1
13	223-0632.01	Pin		1
14	A17-18-3	Bushing	Included in 09	1
15	117-370	Screw		2 (3)
16	125-765	Screw	Old Type	(1)
17	6907-10002	Stud Pin		1
18	180-105	Lock Washer		2
19	184-105	Flat Washer		2
20	6907-10014	Solenoid Bracket		1
21	125-606	Screw		2
22	5103-08116	Stopper		1
23	E09-60-01-3	Solenoid		1
24	6801-03014	Snap Pin		2
25	6801-03013	Pin		1
26	125-660	Screw		4
27	H03-36-3	Spacer		2
28	6907-10012	Link		1
29	181-410	E-Ring		1
30	6907-10005A	Lever		1
31	A03-31-3	Bushing	Included in 30	1
32	I52-20-3	Bushing	Included in 33	2
33	6907-10023A	Lever		1
34	6902-11009	Screw		1
35	6907-10007	Link		1
36	181-408	E-Ring		1
37	6802-03037	Pin		1+1
38	117-365	Screw		3
39	6907-10004	Stud Pin		1
40	F42-13-3	Spring		1
41	4808-04029	Pin		1
42	I04-19-01-3	Spring		1
43	6907-10009A	Link		1
44	6907-10008A	Selector		1
45	170-106	Nut		2
46	180-106	Lock Washer		2
47	M02-67-3	Spring		1
48	6802-11014	Stud Bolt		1
49	6802-03039	Link		1
50	5802-11021	Spacer		2
51	6907-10024	Pin		2
52	122-160	Screw		1
53	6802-03032	Washer		1
54	6907-10011	Lever		1
55	6907-10017	Stud Pin		1
56	6907-10021	Block		1
57	101-370	Screw		1
58	101-475	Screw		1
59	6802-04042	Pin		1
60	6802-11009A	Link		1
61	101-358	Screw		1
62	MC04-16	Plate		1
63	188-027	Key		1
64	117-375	Screw		1
65	184-106	Flat Washer		1
66	141-358	Set Screw		1
67	6907-10022	Adjustment Sector		1
68	M02-37-3	Scale		1
69	145-358	Set Screw		1
70	6907-10020	Lever		1







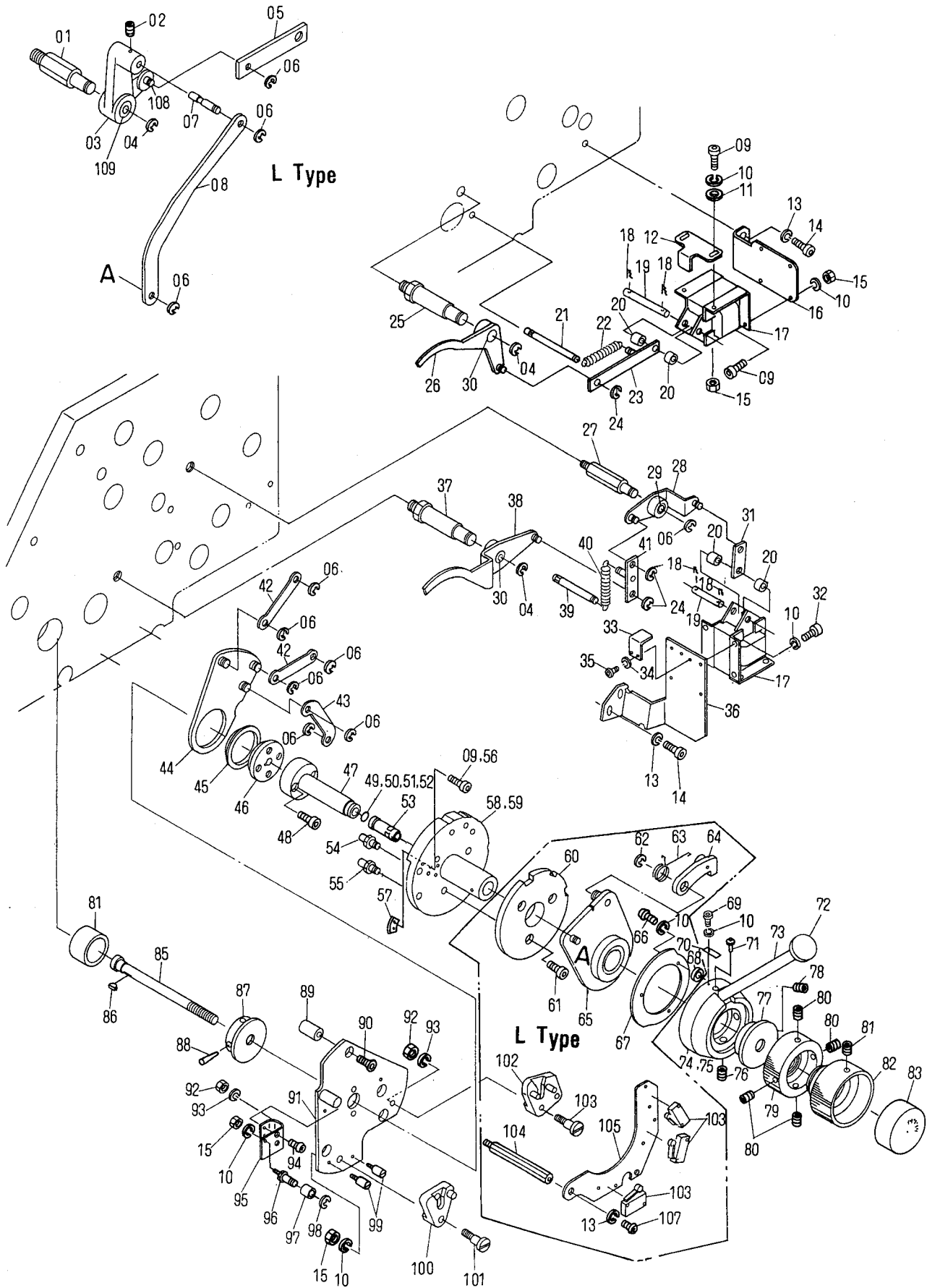
W2004



**Inking Section  
Single Lever Mechanism**

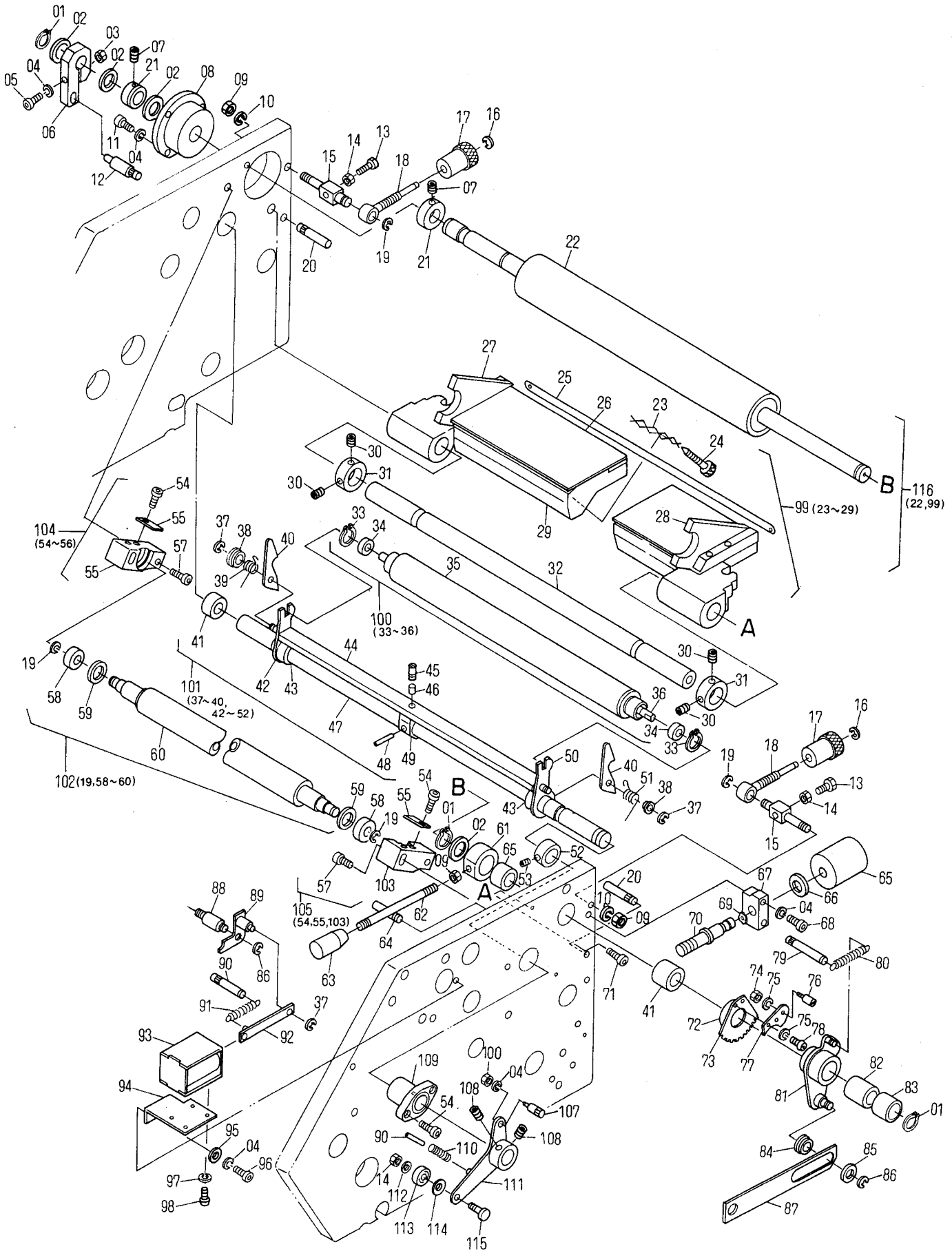
**W2004**

INDEX No.	Parts No.	Description	Remarks	Units Per Assy
01	6907-06003	Stud Pin		1
02	145-506	Set Screw		1
03	6907-06002B	Lever		1
04	181-410	E-Ring		1
05	6907-06005	Link		1
06	181-406	E-Ring		7
07	7203-08028	Pin		1
08	6907-06004	Link		1
09	117-410	Screw		2
10	180-104	Lock Washer		6
11	184-104	Washer		2
12	6907-06051	Stopper		1
13	180-105	Lock Washer		2
14	117-515	Screw		2
15	170-104	Nut		4
16	6907-06052	Solenoid Bracket		1
17	E09-60-01-3	Solenoid		1
18	6801-03014	Snap Pin		2
19	6801-03013	Pin		1
20	H03-36-3	Spacer		2
21	7203-08035	Pin		1
22	G05-32-3	Spring		1
23	6907-06050A	Link		1
24	181-404	E-Ring		1 (2)
25	6907-06013	Stud Pin		1
26	6907-06049B	Latch Release Lever		1
27	6907-06055	Stud Pin		1
28	6907-06057B	Lever		1
29	243-610	Bushing	Included in 28	1
30	243-619	Bushing	Included in 26	1
31	6907-06058	Link		1
32	117-408	Screw		4
33	5103-08116	Stopper		1
34	184-103	Washer		2
35	125-606	Screw		2
36	6907-06009	Solenoid Bracket		1
37	6907-06056	Stud Pin		1
38	6907-06054B	Latch Release Lever		1
39	6907-06010	Pin		1
40	G05-32-3	Spring		1
41	6907-06008A	Link		1
42	7203-08031	Link		2
43	6907-11013	Link		1
44	6907-06028A	Drive Lever		1
45	6907-06029	Bushing		1
46	6907-06016	Spacer		1
47	6907-06017	Pivot Shaft		1
48	117-365	Screw		2
49	6907-06063	Shim	(t=0.01)	—
50	6907-06064	Shim	(t=0.02)	—
51	6907-06065	Shim	(t=0.05)	—
52	6907-06066	Shim	(t=0.1)	—
53	6907-06033	Nut		1
54	I18-03-3	Dampening Drive Stud		1
55	I18-04-3	Inking Drive Stud		1
56	117-415	Screw		2
57	6907-06073	Stopper	34LS	1
58	6903-08002B	Single Lever Control Hub Assy	34LS	1
59	6903-08013B	Single Lever Control Hub Assy	34S	1
60	6907-06030	Sector Gear		1
61	117-362	Screw		3
62	181-408	E-Ring		1
63	5103-08049	Spring		1
64	5103-08020A	Latch		1
65	6907-06012A	Lever		1
66	125-658	Screw		3
67	6907-06025	Cam		1
68	X06-81-3	Spacer		3
69	125-655	Screw		1
70	6907-06070	Flat Spring		1





W2005

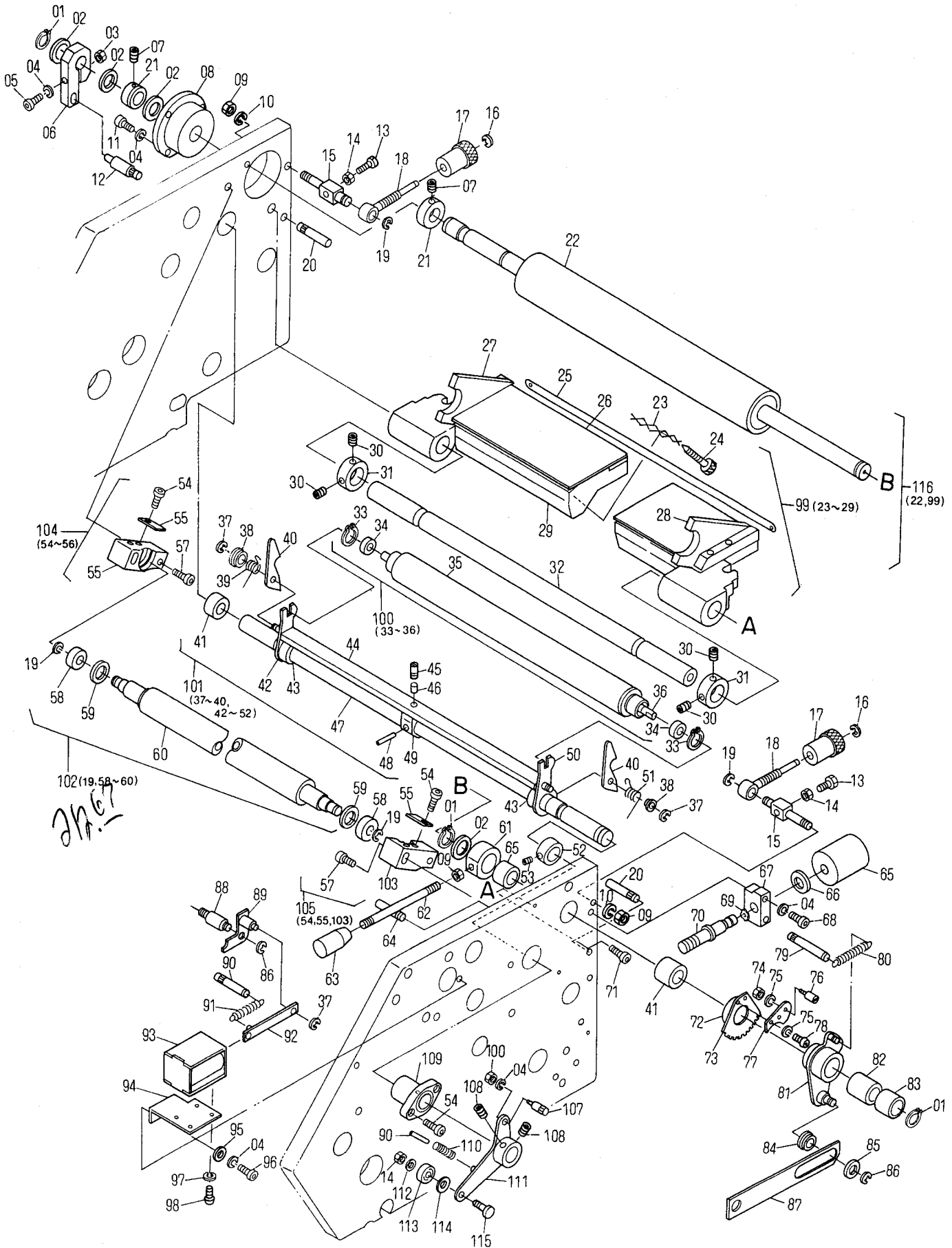


**Inking Section  
Ink Fountain and Fountain Roller**

**W2005**

INDEX No.	Parts No.	Description	Remarks	Units Per Assy
01	181-016	C-Ring		3
02	CK08-63	Washer		4
03	I31-10-3	Nut		1
04	180-105	Lock Washer		4
05	117-532	Screw		1
06	7203-02043	Stopper		1
07	145-505	Set Screw		2
08	6907-02008	Bushing Bracket		1
09	170-108	Nut		2
10	180-108	Lock Washer		2
11	117-515	Screw		3
12	7203-02042	Pin		1
13	101-375	Screw		2
14	170-106	Nut		2
15	6903-02038	Stud Pin		2
16	181-405	E-Ring		2
17	6803-02051	Handle		2
18	6803-02052	Mountaing Link		2
19	181-408	E-Ring		4
20	225-0840.01	Pin		2
21	M05-37-3	Collar		1
22	6803-02056	Ink Fountain Roller		1
23	6803-02006	Wire		1
24	6803-02053	Ink Fountain Adjustment Thumb Screw		1
25	6803-02032	Ink Fountain Scale		1
26	6803-02034	Ink Fountain Blade		1
27	6803-02054	Ink Fountain Side Bracket	NOP-S	1
28	6803-02055	Ink Fountain Side Bracket	OP-S	1
29	6803-02001	Ink Fountain		1
30	141-508	Set Screw		2
31	5202-04009	Collar		1
32	6903-02042	Spreader		1
33	181-008	C-Ring		2
34	250-088.7	Bearing		2
35	6803-06001	Ink Ductor Roller		1
36	6803-06002	Ink Ductor Roller Shaft		1
37	181-404	E-Ring		2
38	I01-43-3	Bushing		2
39	I01-32-3	Spring	NOP-S	1
40	7203-06022	Ductor Roller Latch		2
41	7203-04032	Bushing		1
42	7203-06010B	Ductor Roller Bracket	NOP-S	1
43	243-524	Bushing	Included in 42, 50	2
44	6803-06004	Spreader		1
45	7203-06024	Pin		1
46	243-605	Bushing		1
47	6907-03015	Ductor Frame Shaft		1
48	CP03-34	Roll Pin		1
49	7203-06009	Bracket		1
50	7203-06011B	Ductor Roller Bracket	OP-S	1
51	I01-33-3	Spring	OP-S	1
52	185-1615.01	Collar		1
53	145-355	Set Screw		1
54	117-510	Screw		4
55	6907-03040	Plate		2
56	6907-03038	Distributor Roller Frame	NOP-S	1
57	117-380	Screw		4
58	250-150.6	Bearing		2
59	5203-02091	Washer		2
60	6907-03002	Distributor Roller		1
61	6803-02040	Handle Bracket		1
62	R-118	Handle Shaft		1
63	R-118-01	Knob		1
64	4206-03032	Bushing		1
65	6903-02048	Indicator		1
66	6907-02005	Spacer		1
67	6907-02007	Block		1
68	117-525	Screw		2
69	180-182	Washer		1
70	6907-02003	Adjustment Worm		1

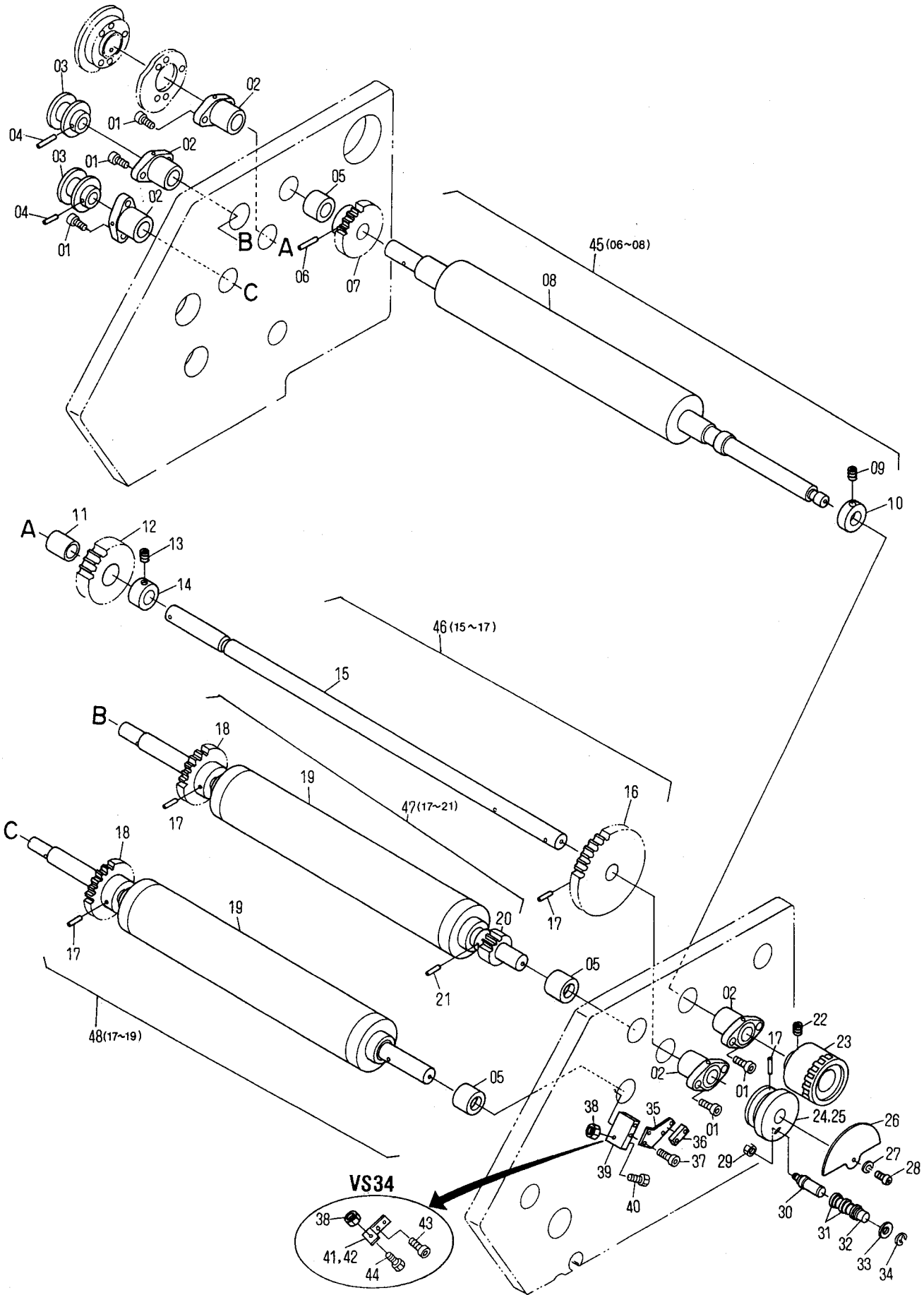
W2005







W2006

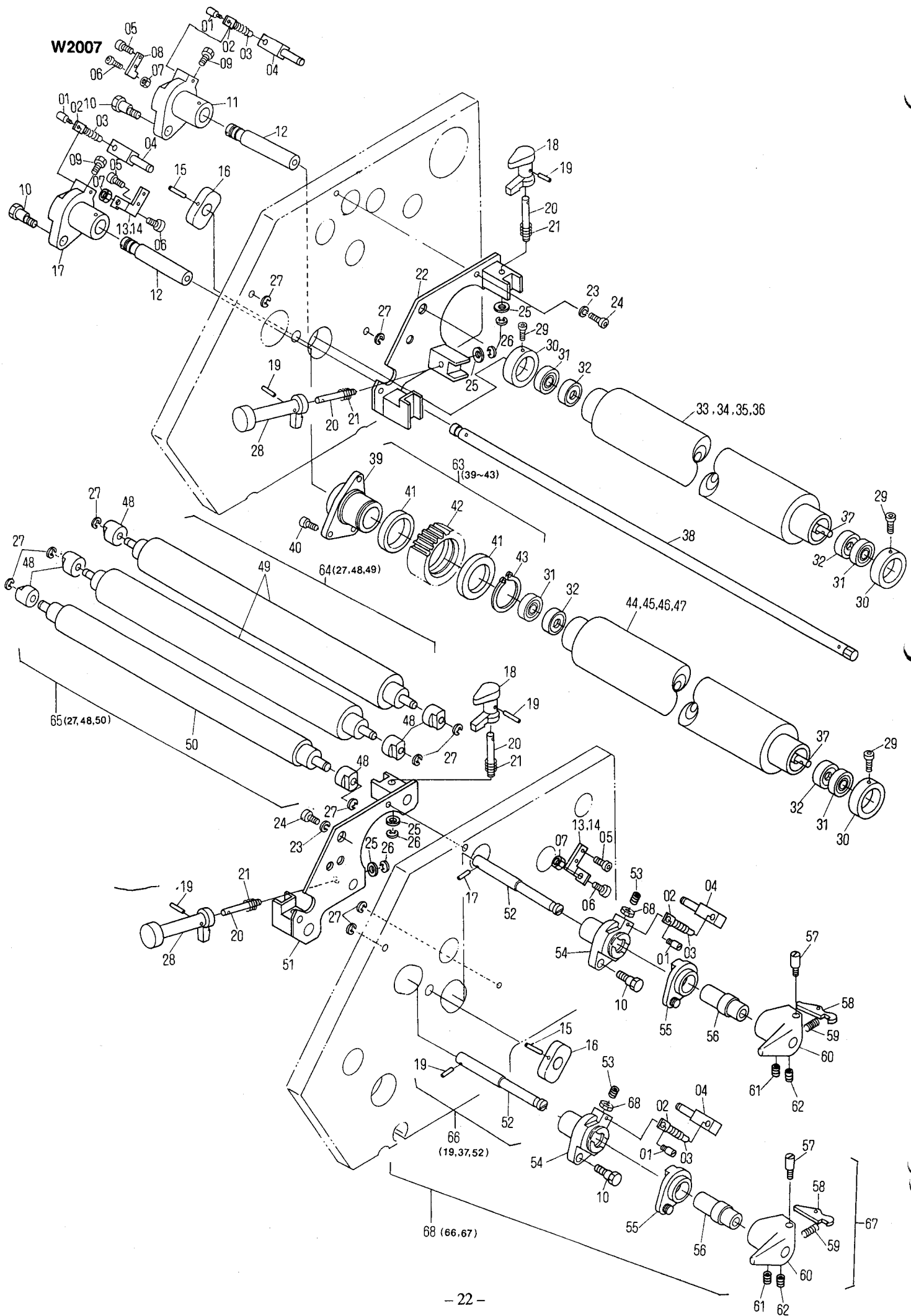


**Inking Section  
Oscillating Roller and Distributor Roller**

**W2006**

INDEX No.	Parts No.	Description	Remarks	Units Per Assy
01	117-510	Screw		10
02	6803-04020	Bushing Bracket		5
03	101-39-3	Oscillating Roller Drive Cam		2
04	183-205	Roll Pin		2
05	7203-04032	Bushing		3
06	183-189	Roll Pin		1
07	6907-03022	Gear		1
08	6907-03001	Distributor Roller		1
09	145-356	Set Screw		1
10	M55-22-3	Collar		1
11	6907-03005	Bushing	Included in 12	1
12	6907-03023A	Gear		1
13	145-355	Set Screw		1
14	185-1615.01	Collar		1
15	6907-03024	Cam Shaft		1
16	7203-05024	Gear		1
17	CM05-55	Roll Pin		4
18	7203-05030	Gear		2
19	6803-04001	Oscillating Roller		2
20	7203-05023	Gear		1
21	CP03-34	Roll Pin		1
22	140-360	Set Screw		1
23	6907-03051	Handle		1
24	6907-03025	Cam	Molton	1
25	6907-03027	Cam	Integrated	1
26	6907-03050	Cam		1
27	180-104	Lock Washer		1
28	125-656	Screw		1
29	170-108.3	Nut		1
30	6803-05086	Stud Pin		1
31	6803-05052	Bushing		2
32	6803-05053	Bushing		1
33	184-110	Flat Washer		1
34	181-408	E-Ring		1
35	6907-03049	Bracket		1
36	E26-75-3	Sensor		1
37	117-530	Screw		2
38	170-105	Nut		1
39	6907-03048	Block	VS34L	1
40	101-530	Screw	VS34L	1
41	6907-03045	Bracket	(New Type) VS34	1
42	6907-03055	Bracket	(Old Type) VS34	1
43	117-515	Screw		2
44	101-520	Screw	VS34	1
45	6907-03001A	Distributor Roller Assy	(06-08)	1
46	6907-03024A	Cam Shaft Assy	(15-17)	1
47	6803-04001A	Oscillating Roller Assy	(17-21)	1
48	6803-04001B	Oscillating Roller Assy	(17-19)	1

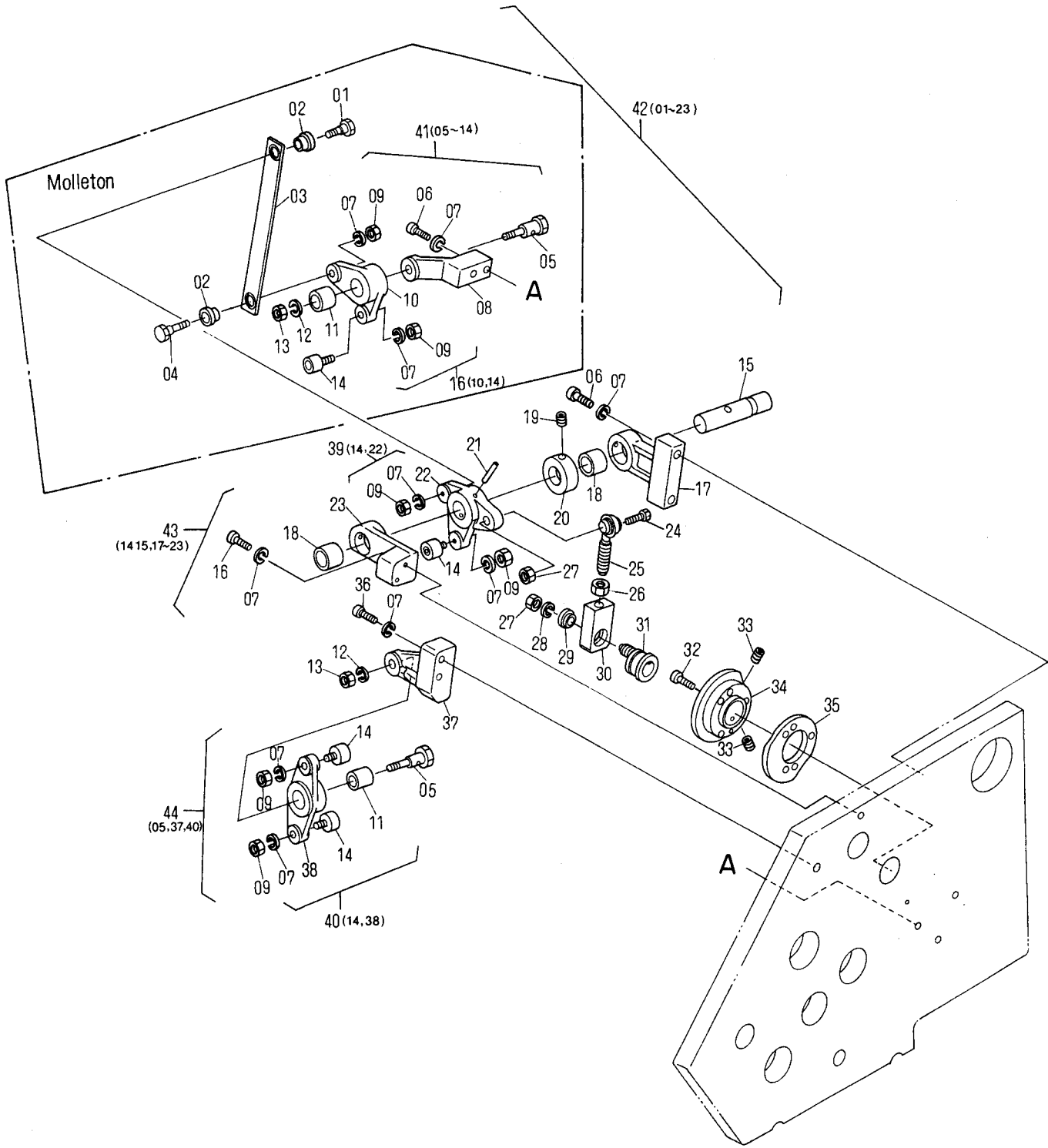
W2007



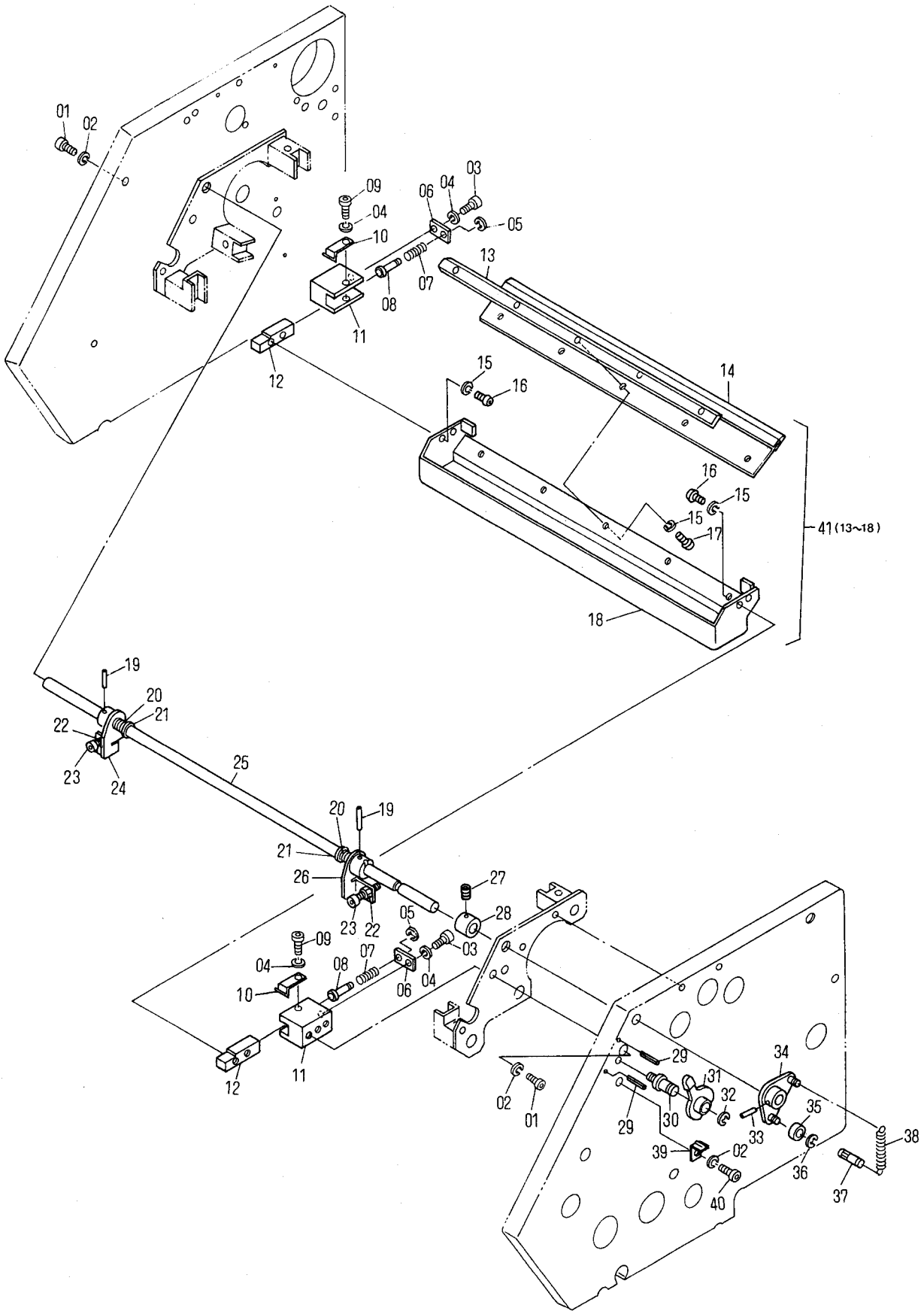
**Inking Section  
Form Roller and Idle Roller**

**W2007**

INDEX No.	Parts No.	Description	Remarks	Units Per Assy
01	7203-03014	Screw		4
02	6907-03041	Spring Guide		4
03	6907-03043	Spring		4
04	6907-03046	Stud Pin		4
05	117-515	Screw		6
06	101-520	Screw		3
07	170-105	Nut		3
08	6907-03045	Bracket		1
09	101-520T	Screw		2
10	7203-03013	Screw		2
11	6803-03031	1st Ink Form Roller Bracket		1
12	7203-03018	Form Roller Shaft		2
13	6907-03044	Bracket	New Type	2
14	6907-03054	Bracket	Old Type	2
15	183-186	Roll Pin		2
16	7203-03019	Night Latch Cam		2
17	7203-03007	2nd Ink Form Roller Bracket		1
18	6803-04010	Roller Retainer		2
19	183-151	Roll Pin		6
20	6803-04011	Holder Stem		4
21	6803-04015	Spring		4
22	6907-03004A	Roller Frame	NOP-S	1
23	180-106	Lock Washer		6
24	117-365	Screw		6
25	184-106	Flat Washer		4
26	181-404	E-Ring		2
27	181-406	E-Ring		10
28	6907-03047	Roller Retainer		2
29	117-410	Screw		3
30	7203-03015	Collar		3
31	I03-48-3	Bearing	Included in 33-36, 44-47	4
32	I03-49-3	Bearing Spacer	Included in 33-36, 44-47	4
33	6803-03001A	1st Ink Form Roller	SPEC 1	1
34	6803-03021A	1st Ink Form Roller	SPEC 2	1
35	6803-03023A	1st Ink Form Roller	SPEC 3	1
36	6803-03025A	1st Ink Form Roller	SPEC 4	1
37	6803-03003	Form Roller Shaft		2
38	6803-03019	Night Latch Shaft		1
39	7203-05027	2nd Ink Form Roller Bracket		1
40	117-520	Screw		3
41	7203-05034	Bearing	Included in 42	2
42	7203-05028	Gear		1
43	181-030	C-Ring		1
44	6803-03002A	2nd Ink Form Roller		1
45	6803-03022A	2nd Ink Form Roller		1
46	6803-03024A	2nd Ink Form Roller		1
47	6803-03026A	2nd Ink Form Roller		1
48	CP03-11	Bushing		6
49	6803-04005	Distributor Roller		2
50	6803-04003	Idle Roller		1
51	6907-03003A	Roller Frame	OP-S	1
52	7203-03009	Form Roller Shaft		2
53	I18-59-1A-3	Snubber		2
54	7203-03006	Form Roller Bracket		2
55	7203-03012A	Form Roller Drive Bracket		2
56	7203-03010	Bushing		2
57	I18-55-3	Snubber Pin		2
58	I18-54-3	Snubber		2
59	I18-56-3	Spring		2
60	I52-48-3	Form Roller Handle		2
61	145-355	Set Screw		2
62	145-358	Set Screw		2
63	7203-05028A	Gear Assy	(39-43)	1
64	6803-04005A	Distributor Roller Assy	(27, 48, 49)	1
65	6803-04003A	Idle Roller Assy	(27, 48, 50)	1
66	6803-03003A	Form Roller Shaft Assy	(19, 37, 52)	1
67	I52-48-1A-3	Form Roller Handle Assy	(57-62)	1

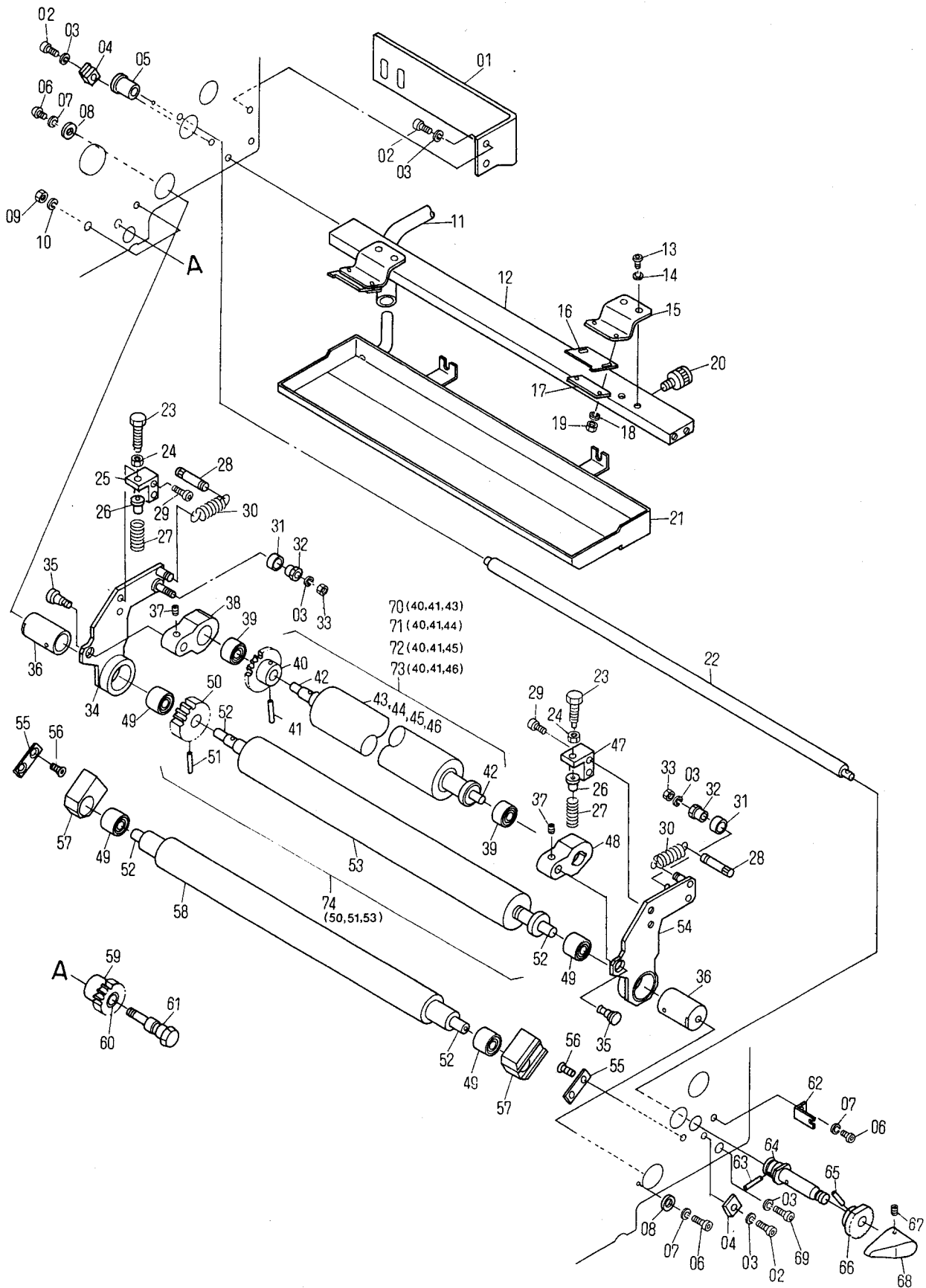








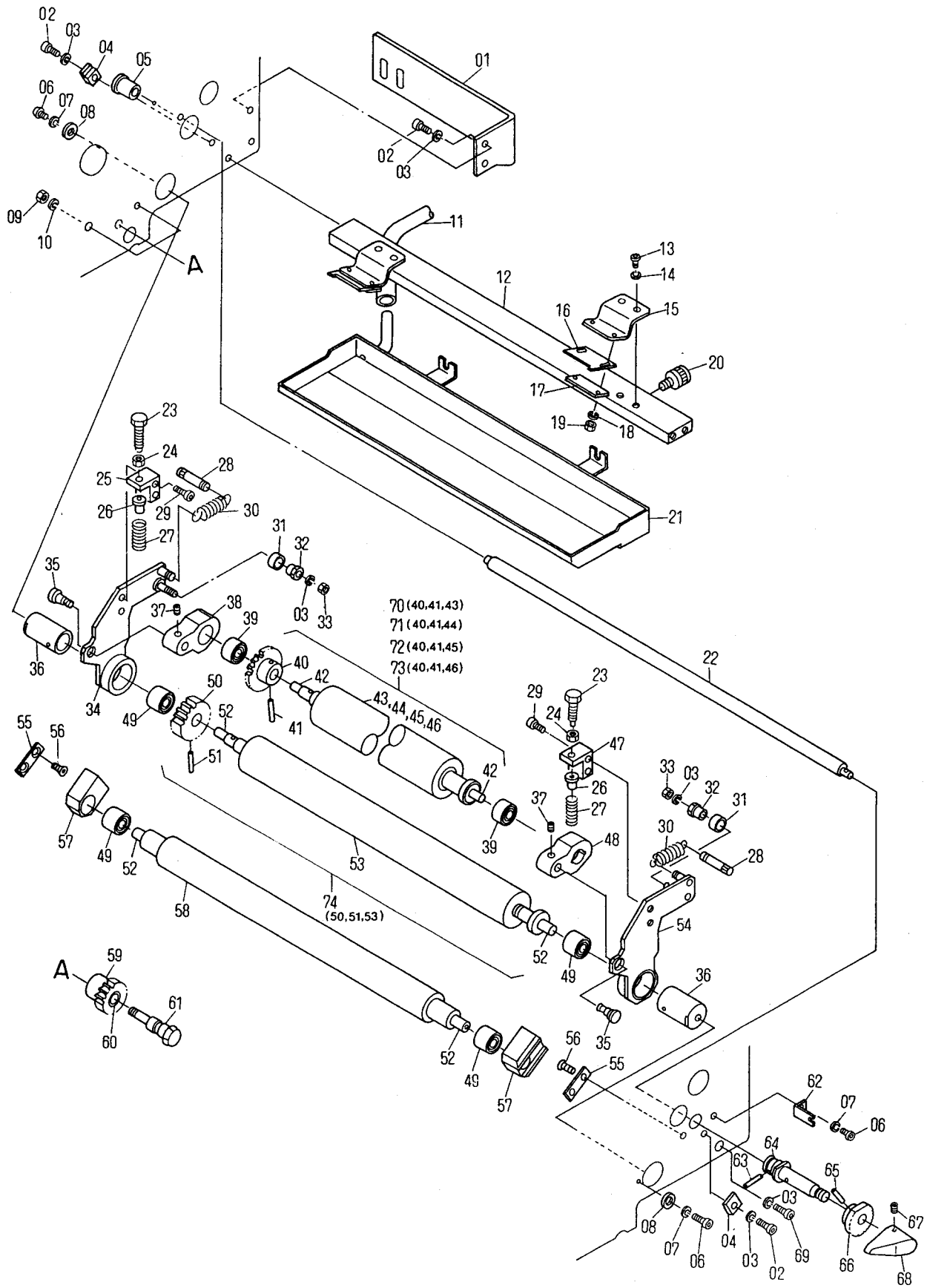




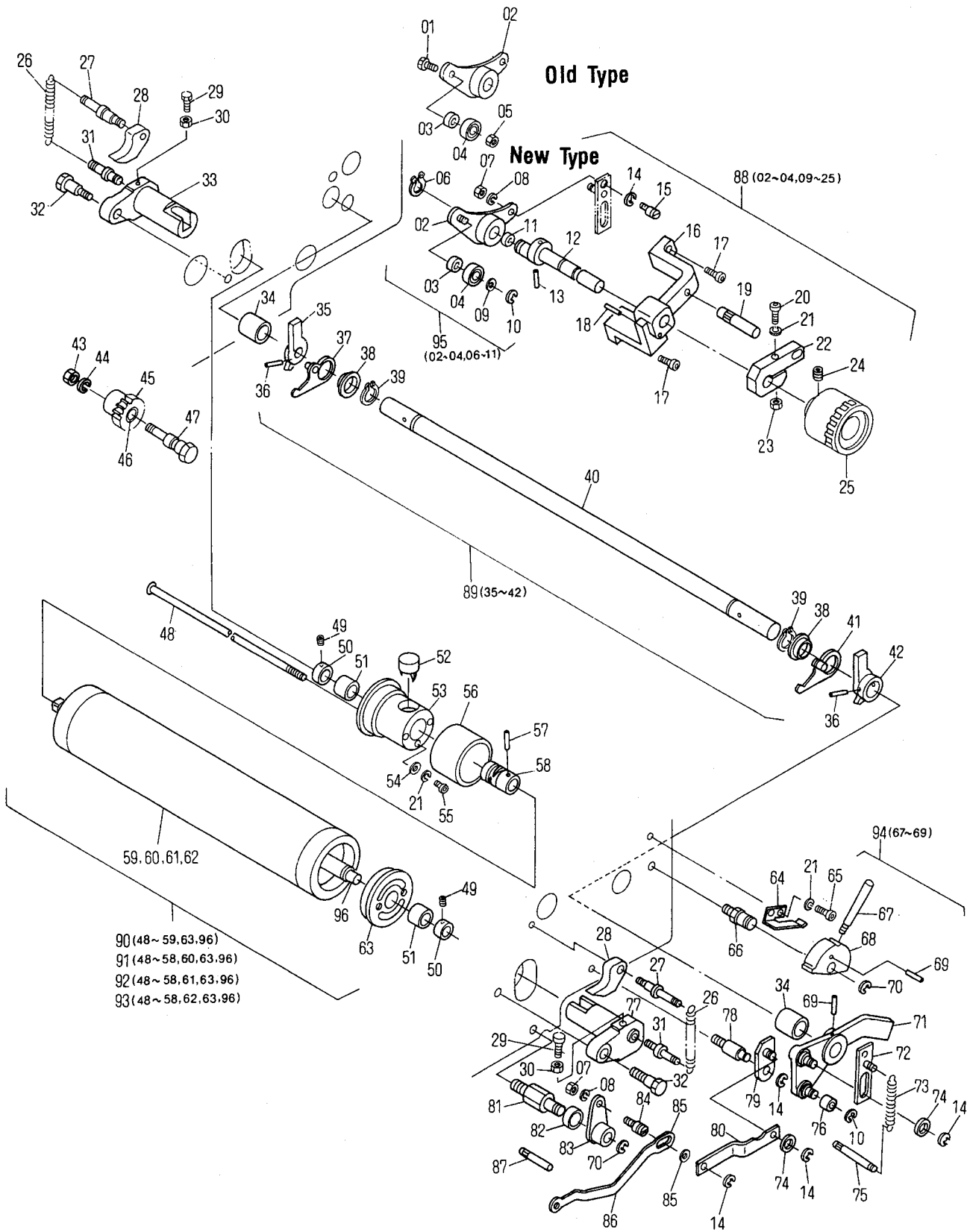
**Dampening Section (Integrated System)  
Metering Roller, Squeeze Roller and Fountain Roller**

**W2010**

INDEX No.	Parts No.	Description	Remarks	Units Per Assy
01	6907-18020	Fountain Bottle Bracket		1
02	117-365	Screw		4
03	180-106	Lock Washer		7
04	CP18-52	Block		2
05	CP18-43	Bushing		1
06	125-708	Screw		3
07	180-105	Lock Washer		3
08	123-18-3	Washer		2
09	170-110	Nut		3
10	180-110	Lock Washer		3
11	6907-18005	Hose		1
12	6907-18023	Bracket		1
13	125-712.01	Screw		4
14	180-105.01	Lock Washer		4
15	6907-18022	Bracket		2
16	CP18-63	Blade		2
17	CP18-62	Plate		2
18	180-104.01	Lock Washer		4
19	125-108.01	Screw		4
20	5103-18052	Screw		2
21	6907-18024	Dampening Fountain Tray		1
22	6803-18033	Shaft		1
23	6907-18017	Bolt		2
24	170-108	Nut		2
25	CP18-12	Block	NOP-S	1
26	6907-18018	Spacer		2
27	5203-11046	Spring		2
28	M57-40-3	Pin		2
29	117-515	Screw		4
30	6907-18003	Spring		2
31	6803-18067	Guide Roller		2
32	6803-18066	Eccentric Bushing		2
33	170-106	Nut		2
34	6907-18013A	Frame Assy	NOP-S	1
35	CP18-37	Pin		2
36	6803-18024A	Bushing		2
37	145-356	Set Screw		2
38	6907-18025A	Metering Roller Bracket	NOP-S	1
39	6803-18035	Needle Bearing	Included in 38, 48	2
40	CP18-07	Gear		1
41	183-186	Roll Pin		1
42	6803-18082	Inner Sleeve		2
43	6803-18088B	Metering Roller	SPEC 1	1
44	6803-18089B	Metering Roller	SPEC 2	1
45	6803-18090B	Metering Roller	SPEC 3	1
46	6803-18091B	Metering Roller	SPEC 4	1
47	CP18-11	Block	OP-S	1
48	6907-18026A	Metering Roller Bracket	OP-S	1
49	CP18-81	Needle Bearing	Included in 36, 57	4
50	CP18-10	Gear		1
51	183-188	Roll Pin		1
52	258-263	Inner Sleeve		4
53	6803-18022B	Fountain Roller		1
54	6907-18012A	Frame Assy	OP-S	1
55	CP18-41	Plate		2
56	122-110	Screw		2
57	6803-18004	Block		2
58	6803-18022	Squeeze Roller		1
59	6907-18021A	Gear		3
60	A02-08-3	Bushing	Included in 59	3
61	6907-18006	Stud		3
62	CP18-17	Flat Spring		1
63	183-183	Roll Pin		1
64	CP18-53	Shaft		1
65	183-185	Roll Pin		1
66	6907-18041	Ratchet		1
67	145-506	Set Screw		1
68	6907-18049	Adjustment Knob		1
69	117-375	Screw		1
70	6803-18088A	Metering Roller Assy	(40, 41, 43) SPEC 1	1



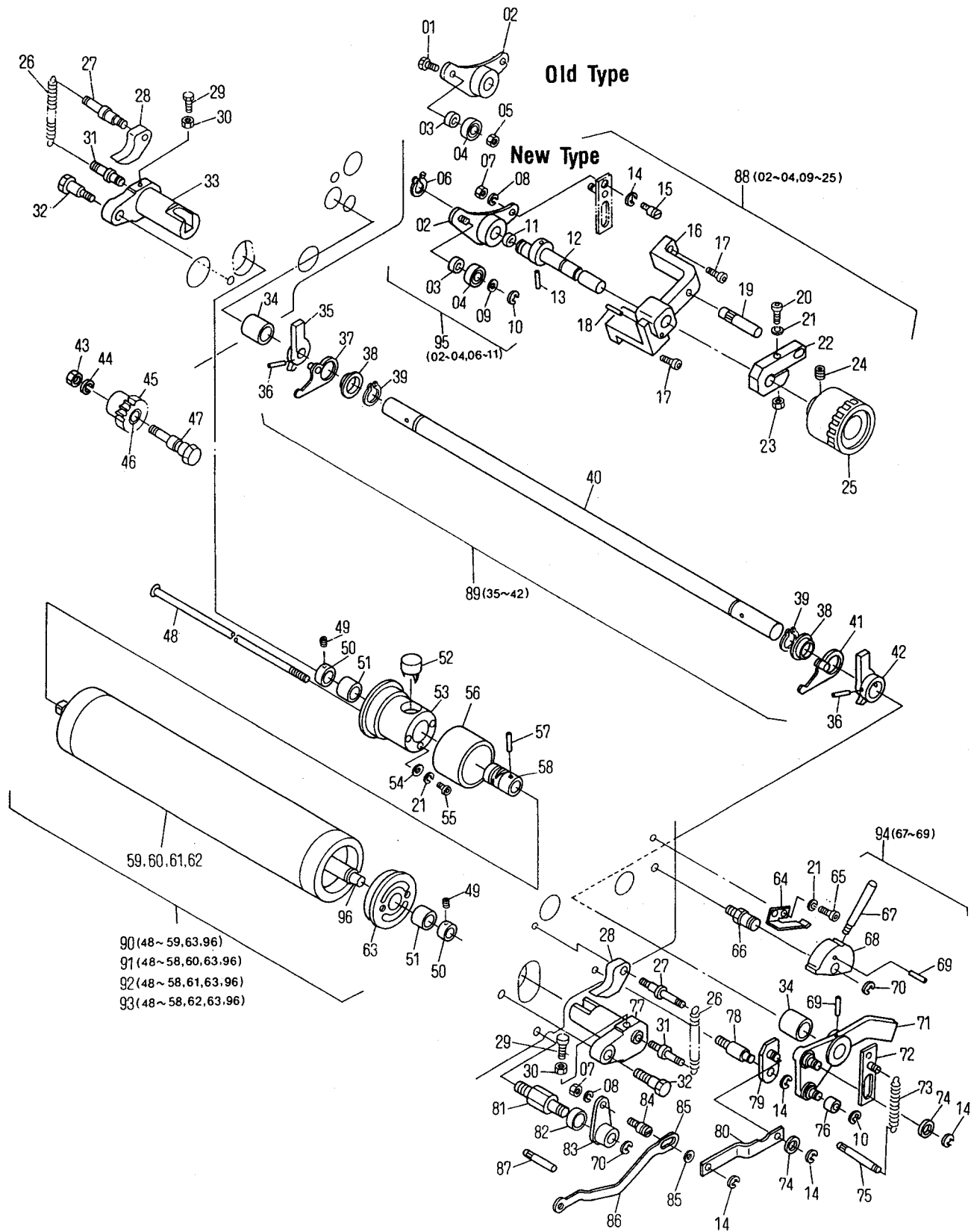




**Dampening Section  
Oscillating Roller (Integrated System)**

**W2011**

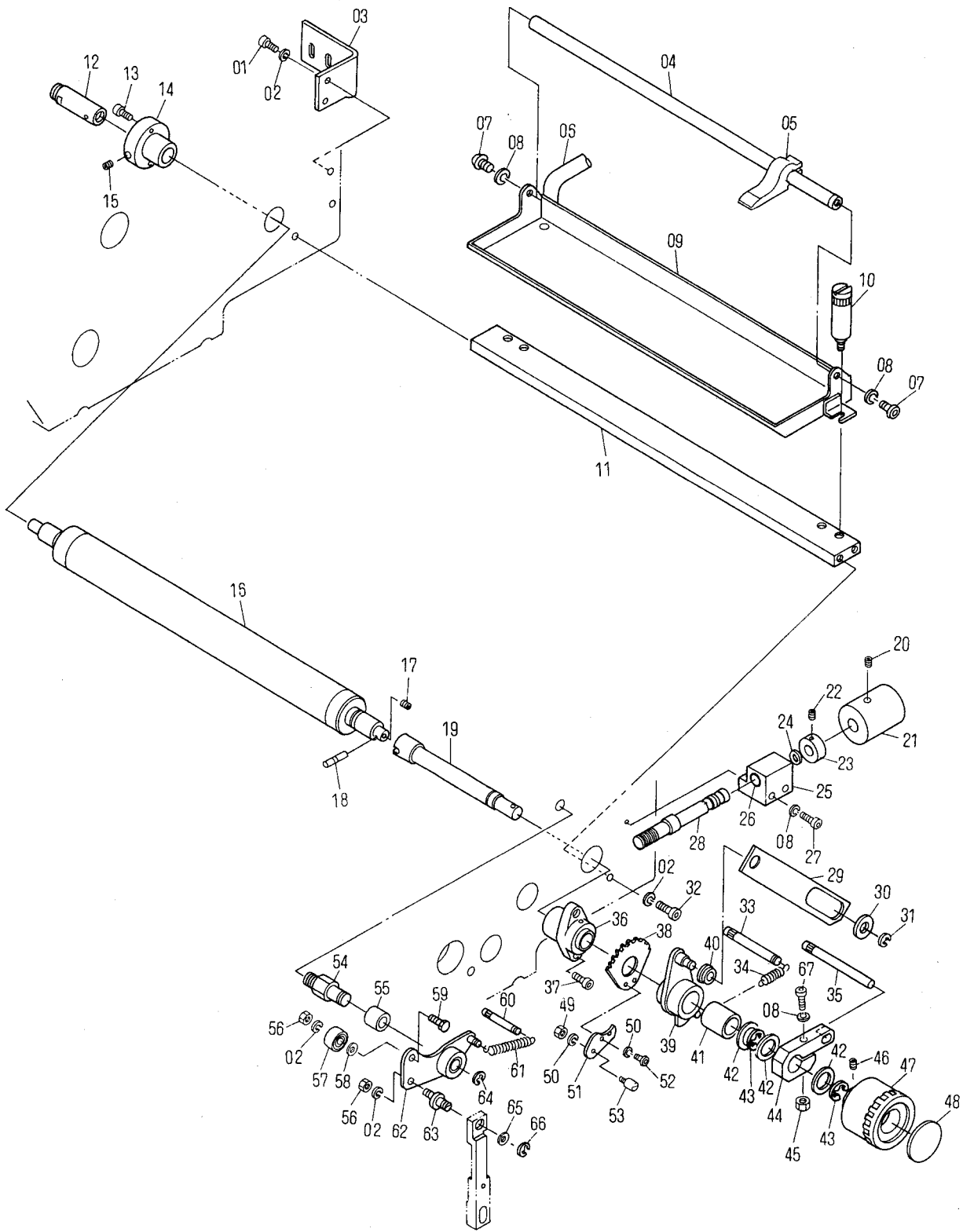
INDEX No.	Parts No.	Description	Remarks	Units Per Assy
01	6907-18051	Pin		1
02	6907-18002A	Lever		1
03	X04-24-3	Spacer		1
04	250-126.6	Bearing		1
05	170-106.3	Nut		1
06	181-012	C-Ring		1
07	170-106	Nut		1
08	180-106	Lock Washer		1
09	184-106.4	Flat Washer		1
10	181-404	E-Ring		1
11	A03-31-3	Bushing	Included in 02	1
12	6907-18030	Shaft		1
13	183-189	Roll Pin		1
14	181-406	E-Ring		5
15	6803-18031	Pin		1
16	6907-18040A	Bracket		1
17	117-365	Screw		3
18	183-183	Roll Pin	Included in 16	1
19	225-0840.01	Pin	Included in 16	1
20	117-532	Screw		1
21	180-105	Lock Washer		1
22	6907-18048	Stopper		1
23	I31-10-3	nut		1
24	140-360	Set Screw		1
25	6805-02042	Handle		1
26	I03-30-3	Spring		2
27	6907-18036	Pin		2
28	6907-18037	Stopper		2
29	6907-18047	Screw		2
30	170-105	Nut		2
31	F42-29-01-3	Pin		2
32	I18-42-01-3	Bolt		2
33	6907-18028	Bushing Bracket		1
34	M25-09-3	Bushing		1
35	CP18-33	Lever	NOP-S	1
36	183-207	Roll Pin		2
37	6907-18015A	Night Latch Lever	BOP-S	1
38	6907-18016	Bushing		2
39	181-016	C-Ring		2
40	6907-18019	Shaft		1
41	6907-18014A	Night Latch Lever	OP-S	1
42	CP18-32	Lever	OP-S	1
43	170-110	Nut		1
44	180-110	Lock Washer		1
45	6907-18021A	Gear		1
46	A02-08-3	Bushing	Included in 45	2
47	6907-18006	Pin		1
48	6907-18042	Oscillating Roller Tie Rod		2
49	145-406.01	Set Screw		2
50	X03-08-01-3	Collar		2
51	H08-16-3	Bushing	Included in 53, 63	2
52	G26-86-3	Oscillator Worm Cam Follower (Dog)		1
53	CP03-43A	Oscillator Mechanism Hub		1
54	184-105	Flat Washer		1
55	125-708	Screw		1
56	CP03-44	Retaining Hub		1
57	I03-58-3	Roll Pin		1
58	I03-57-3	Oscillating Worm Cam		1
59	6907-18001	Oscillating Roller	SPEC 1	1
60	6907-18044	Oscillating Roller	SPEC 2	1
61	6907-18045	Oscillating Roller	SPEC 3	1
62	6907-18046	Oscillating Roller	SPEC 4	1
63	4807-18036A	Oscillating Roller Take-up Hub		1
64	CP18-30	Flat Spring		1
65	117-510	Screw		2
66	CP18-83	Stud Pin		1
67	H08-39-01-3	Handle		1
68	6907-18039	Night Latch Cam		1
69	183-208	Roll Pin		1
70	181-408	E-Ring		2



- 90 (48~59.63.96)
- 91 (48~58.60.63.96)
- 92 (48~58.61.63.96)
- 93 (48~58.62.63.96)



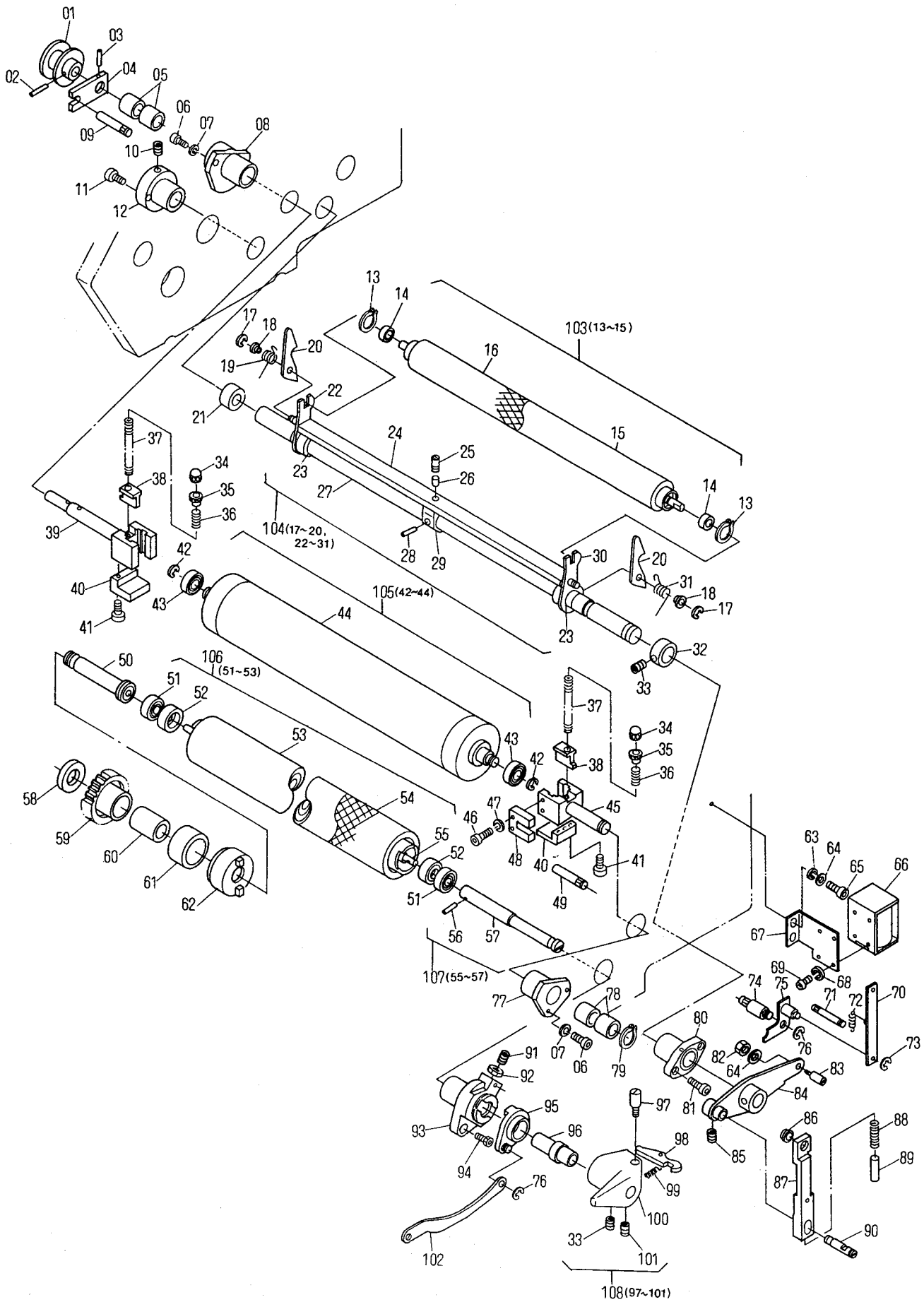




**Dampening Section  
Fountain Roller**

**W2012**

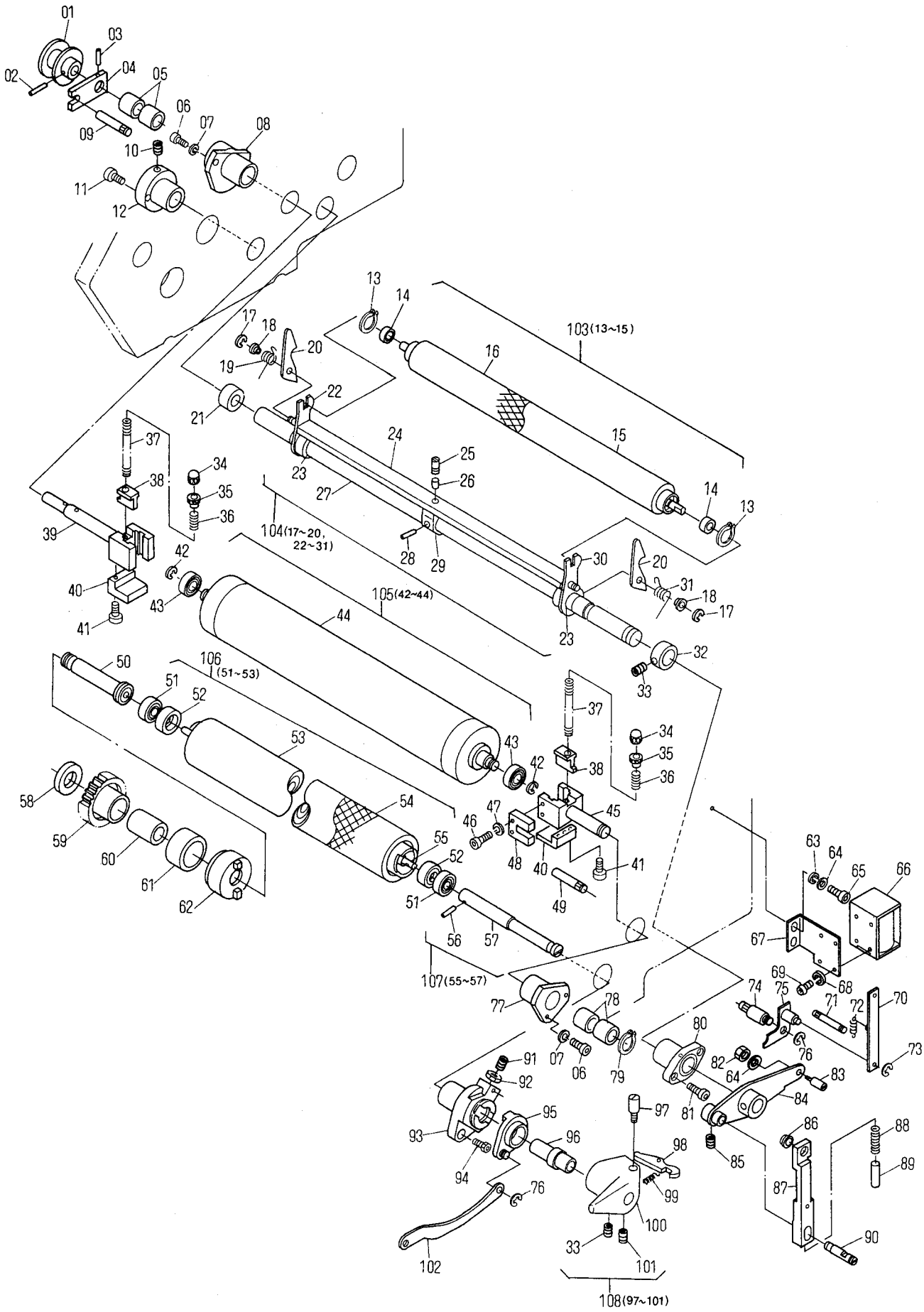
INDEX No.	Parts No.	Description	Remarks	Units Per Assy
01	117-365	Screw		2
02	180-106	Lock Washer		2
03	6907-11028	Fountain Bottle Bracket		1
04	6803-11010	Water Stop Shaft		1
05	R05-01-3	Water Stop		8
06	6907-11029	Hose		1
07	125-710	Screw		2
08	180-105	Lock Washer		4
09	6803-11002	Dampening Fountain Tray		1
10	6903-11004	Knob		2
11	6803-11009	Bracket		1
12	6803-11011	Bushing		1
13	117-515	Screw		2
14	6803-12015	Bushing Bracket		1
15	145-365	Set Screw		2
16	6803-11037	Dampening Fountain Roller		1
17	145-304	Set Screw		1
18	5803-11061	Pin		1
19	6903-11001	Dampening Fountain Roller Shaft		1
20	145-360	Set Screw		1
21	6903-11029	Indicator		1
22	145-355	Set Screw		1
23	185-1212.01	Collar		1
24	180-182	Wave Washer		1
25	6907-11019A	Block		1
26	243-618	Bushing	Included in 25	2
27	117-530	Screw		2
28	6907-11005	Worm Gear		1
29	6907-11001	Link		1
30	7203-02037	Washer		1
31	181-406	E-Ring		1
32	117-375	Screw		2
33	6907-06010	Pin		1
34	5203-09059	Spring		1
35	5801-10086	Pin		1
36	6803-11007	Bushing Bracket		1
37	117-512	Screw		2
38	6907-11020	Worm Wheel		1
39	6907-11023A	Lever		1
40	7203-02045	Bearing		1
41	7203-02039	Bushing	Included in 39	1
42	CK08-63	Washer		3
43	181-412	E-Ring		2
44	7203-02043	Brake		1
45	I31-10-3	Nut		1
46	140-360	Set Screw		1
47	6805-02042	Handle		1
48	PC03-38	Name Plate		1
49	170-104	Nut		1
50	180-104	Lock Washer		1
51	7203-02020	Plate		1
52	125-658	Screw		1
53	7203-02022	Pin		1
54	7203-16046	Stud Pin		1
55	A03-31-3	Bushing		1
56	170-106	Nut		2
57	250-126.6	Bearing		1
58	184-106.4	Washer		1
59	CK08-07	Pin		1
60	223-0640.01	Pin		1
61	R11-95-01-3	Spring		1
62	6907-11002A	Lever		1
63	7203-16047	Pin		1
64	181-410	E-Ring		1
65	184-106	Washer		1
66	181-404	E-Ring		1
67	117-532	Screw		1



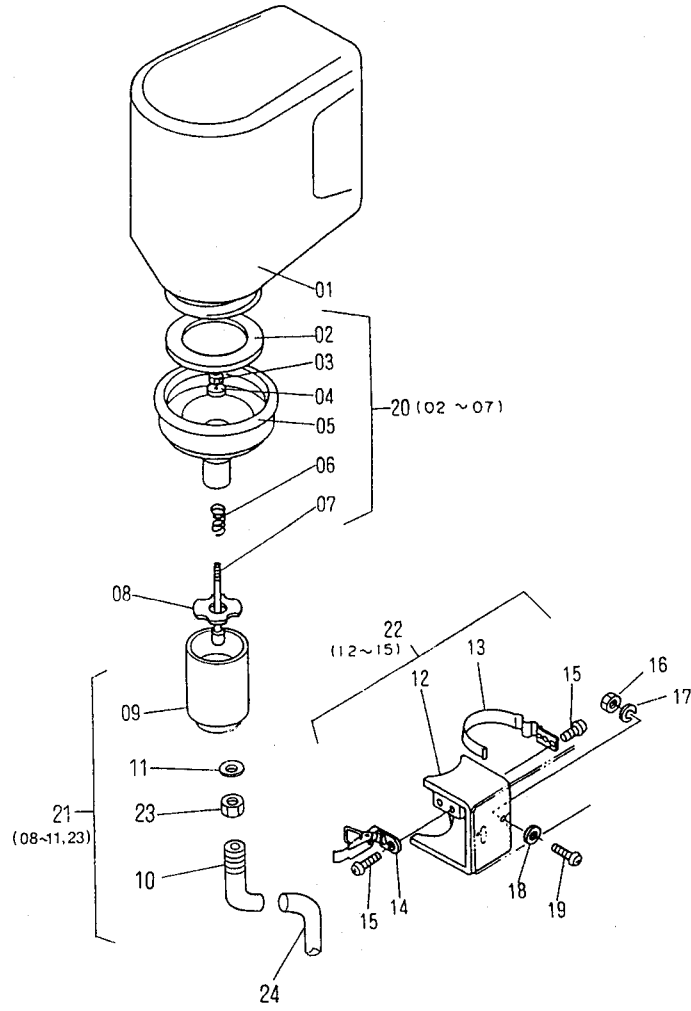
**Dampening Section Ductor,  
Oscillation and Form Roller (Molton System)**

**W2013**

INDEX No.	Parts No.	Description	Remarks	Units Per Assy
01	I01-39-3	Oscillating Roller Drive Cam		1
02	183-205	Roll Pin		1
03	183-187	Roll Pin		1
04	6907-11014	Plate		1
05	5803-04124	Bearing		2
06	117-365	Screw		2
07	180-106	Lock Washer		2
08	6907-11010	Bushing Bracket		1
09	5102-03127	Pin		1
10	145-365	Set Screw		1
11	117-515	Screw		2
12	6803-12015	Bushing Bracket		1
13	181-008	C-Ring		2
14	250-088.7	Bearing		2
15	6803-12001	Ductor Roller		1
16	6803-12041	Ductor Roller Cover		1
17	181-404	E-Ring		2
18	R11-29-3	Spacer		2
19	I01-32-3	Spring	NOP-S	1
20	7203-06022	Ductor Roller Ratch		2
21	7203-04032	Bushing		1
22	7203-06011A	Ductor Roller Bracket	NOP-S	1
23	243-524	Bushing		2
24	6803-06004A	Ductor Bracket Spreader		1
25	7203-06024	Pin		1
26	243-605	Bushing		1
27	6803-06003	Ductor Roller Shaft		1
28	CP03-34	Roll Pin		1
29	7203-06009	Bracket		1
30	7203-06010A	Ductor Roller Bracket	OP-S	1
31	I01-33-3	Spring	OP-S	1
32	185-1615-01	Collar		1
33	145-355	Set Screw		1
34	R01-16-3	Cap Nut		2
35	R01-15-3	Thumb Nut		2
36	R01-14-3	Spring		2
37	6803-12028	Holder Stem		2
38	6907-11027	Block		2
39	6803-12031	Bracket	NOP-S	1
40	6803-12060	Bracket		2
41	117-410	Screw		4
42	181-408	E-Ring		2
43	250-150.7	Bearing		2
44	6803-12043	Oscillating Roller		1
45	6907-11009	Bracket	OP-S	1
46	117-415	Screw		2
47	180-104	Lock Washer		2
48	6907-11012	Block		1
49	225-0840.01	Pin		1
50	6803-12019	Eccentric Stud		1
51	I03-48-3	Bearing		2
52	I03-49-3	Bearing Spacer		2
53	6803-12013	Dampening Form Roller		1
54	6803-12042	Dampening Form Roller Cover		1
55	6803-12014	Dampening Form Roller Shaft		1
56	183-151	Roll Pin		1
57	6803-12016	Dampening Form Roller Shaft		1
58	6803-12018	Spacer		1
59	6803-12020C	Gear Assy		1
60	6803-12027	Bushing	Included in 59	1
61	6803-12017	Clutch		1
62	6803-12021	Clutch		1
63	184-105	Flat Washer		2
64	180-105	Lock Washer		3
65	117-512	Screw		2
66	E09-25-3	Solenoid		1
67	6907-03029	Solenoid Bracket		1
68	180-103	Lock Washer		4
69	125-606	Screw		4
70	6907-11024A	Link		1

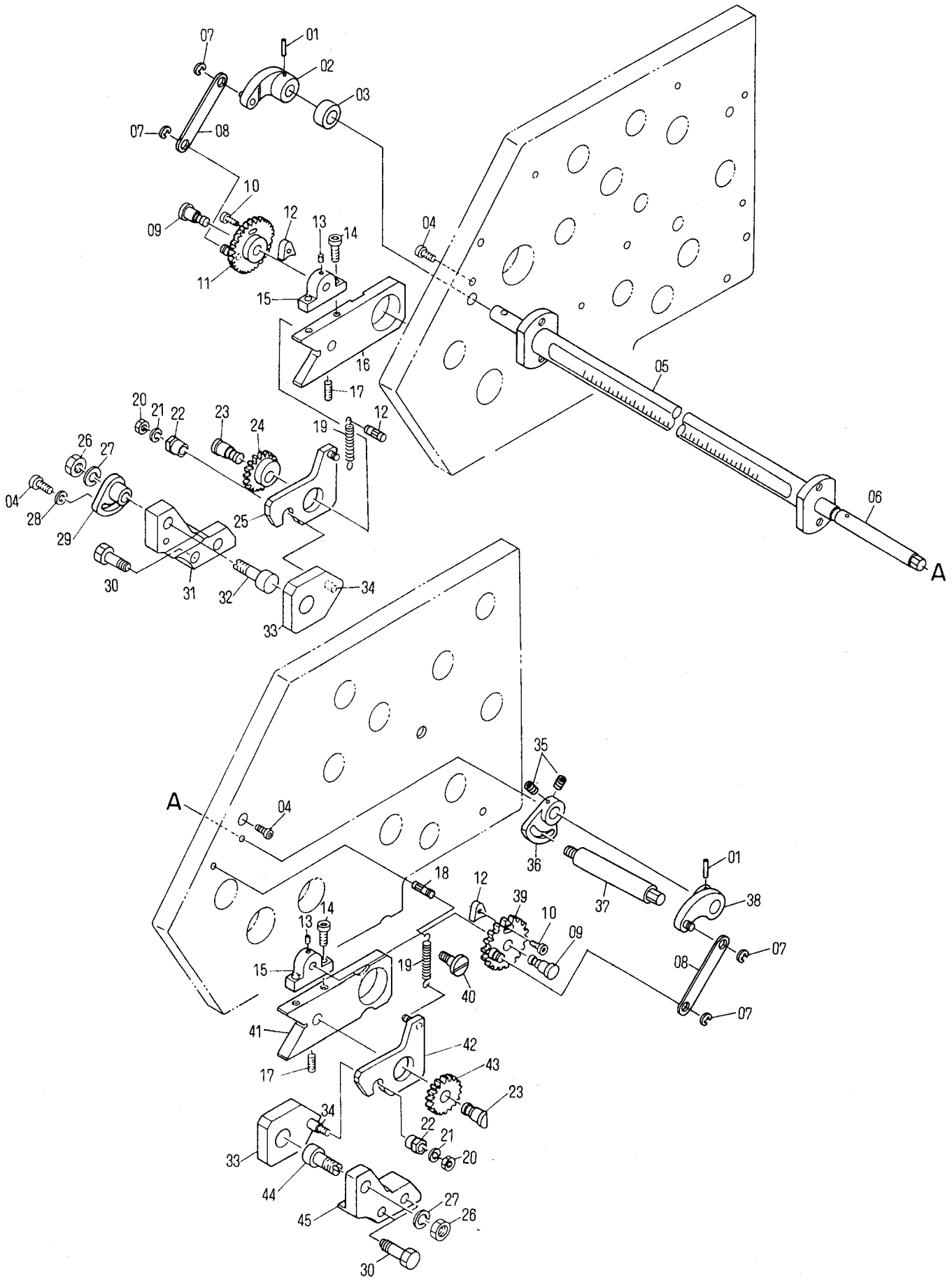










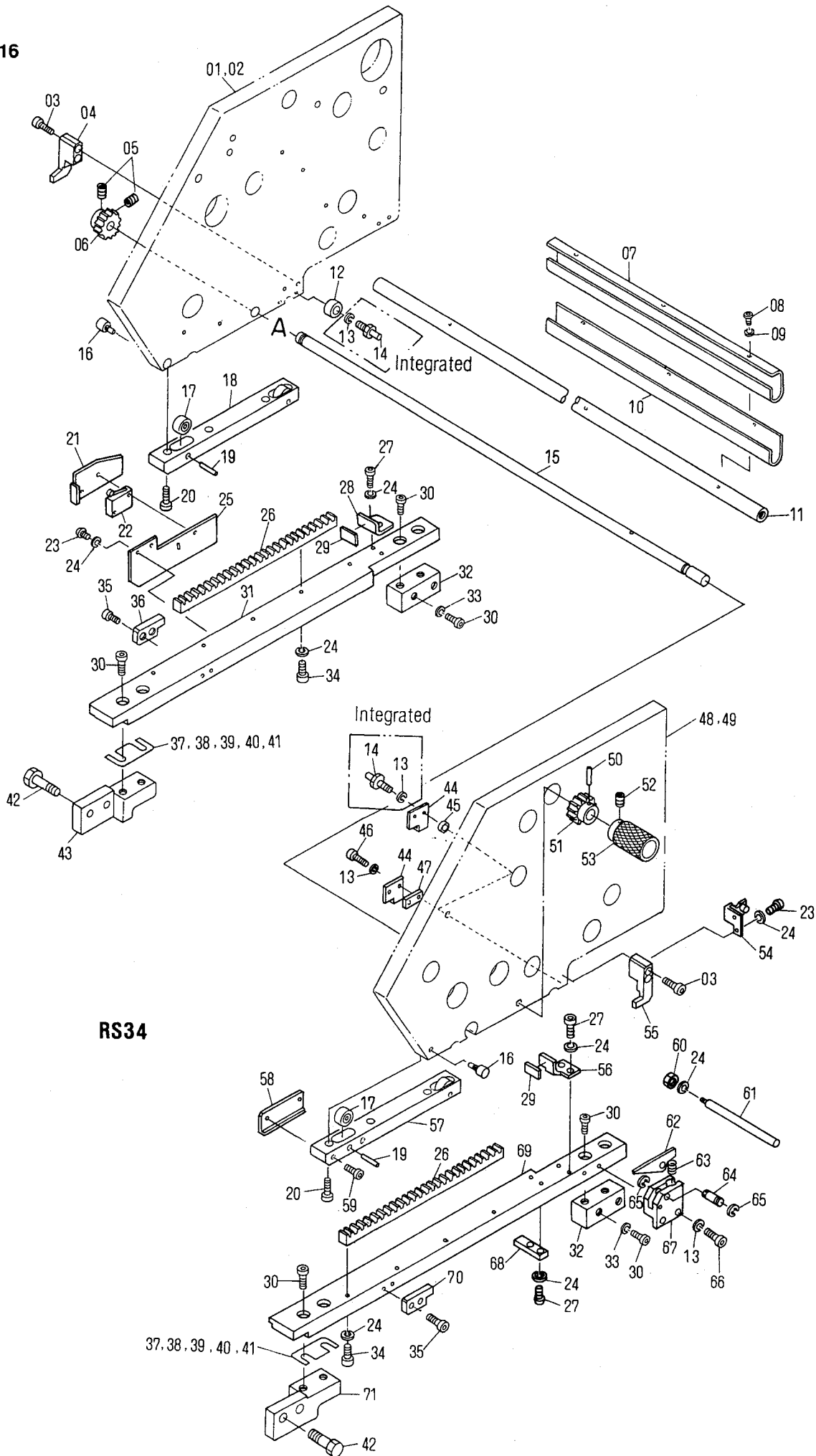


**Connecting Section  
Connecting Bracket**

**W2015**

INDEX No.	Parts No.	Description	Remarks	Units Per Assy
01	183-187	Roll Pin		2
02	6907-06045A	Lever	NOP-S	1
03	A03-34-3	Spacer		1
04	117-365	Screw		5
05	6907-01005	Spreader		1
06	6907-06001	ON-OFF Control Shaft		1
07	181-406	E-Ring		4
08	6907-06042	Link		2
09	4807-06012	Pin		2
10	117-410	Screw		2
11	6907-06046	Gear	NOP-S	1
12	4807-06040	Cam		2
13	145-406	Set Screw		2
14	117-520	Screw		4
15	4807-06024	Bracket		2
16	4807-06028	Tie Bar	NOP-S	1
17	145-518	Set Screw		2
18	223-0620.01	Pin		2
19	4807-06037	Spring		2
20	170-106	Nut		2
21	180-106	Lock Washer		2
22	4807-06022	Adjustment Nut		2
23	4807-06019	Pin		2
24	4807-06018	Gear	NOP-S	1
25	4807-06038A	Hook	NOP-S	1
26	170-110	Nut		2
27	180-110	Lock Washer		2
28	184-106	Flat Washer		1
29	4807-06030	Adjustment Sector	NOP-S	1
30	6907-06031	Bolt		4
31	6907-06024	Bracket	NOP-S	1
32	4807-06032	Pivot Pin	NOP-S	1
33	4807-06025	Tie Bar		2
34	4807-06023	Pin		2
35	140-256	Set Screw		2
36	6907-06071	Adjustment Sector		1
37	6907-06072	Stud		1
38	6907-06044A	Lever	OP-S	1
39	6907-06062	Gear	OP-S	1
40	4807-06013	Screw		1
41	4807-06027	Tie Bar	OP-S	1
42	4807-06026A	Hook	OP-S	1
43	4807-06048	Gear	OP-S	1
44	4807-06031	Pivot Pin	OP-S	1
45	6907-06023	Bracket	OP-S	1

W2016

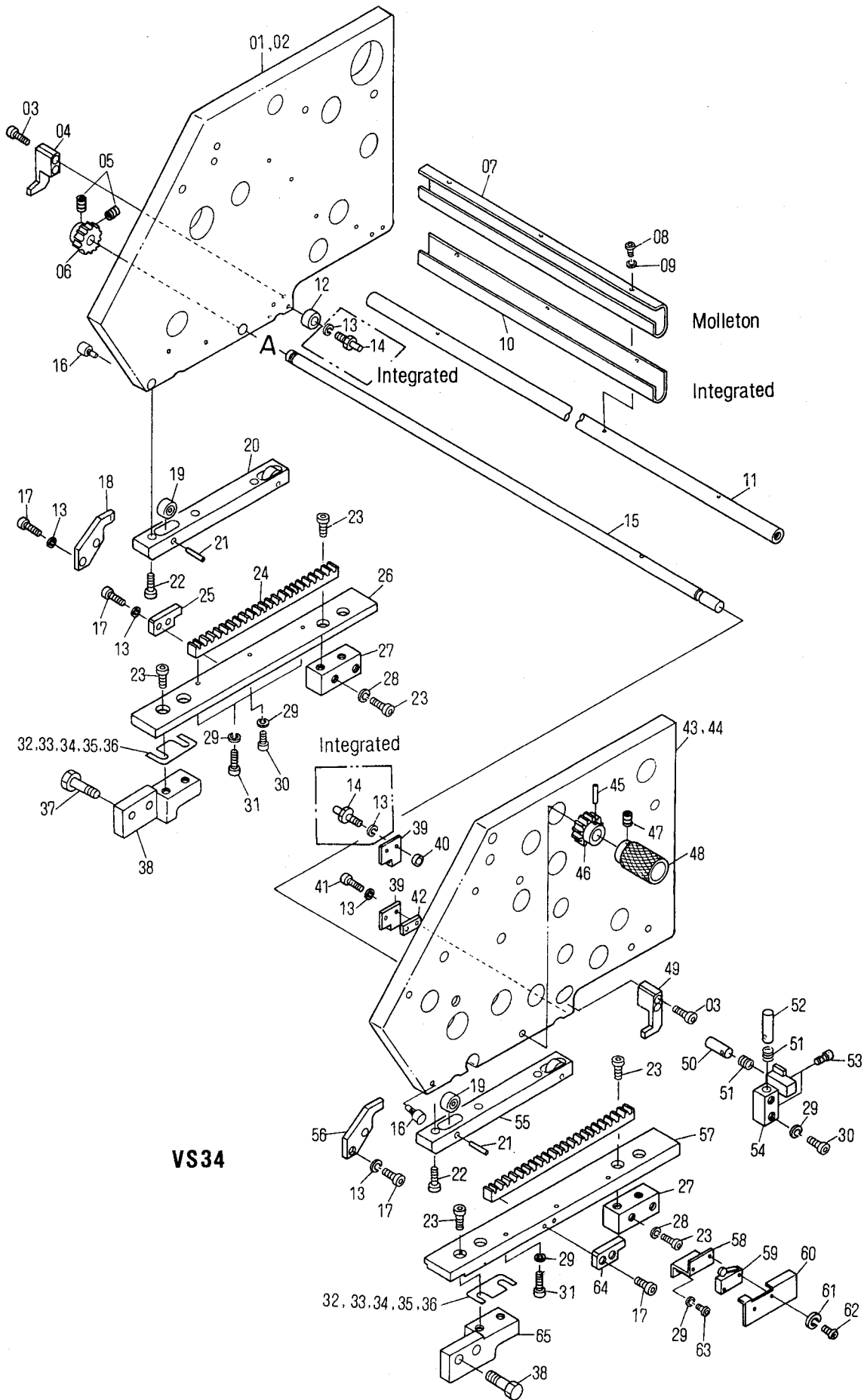


RS34

**Connecting Section  
Slide Base and Rack Gear (RS34S / RS34LS)**

**W2016**

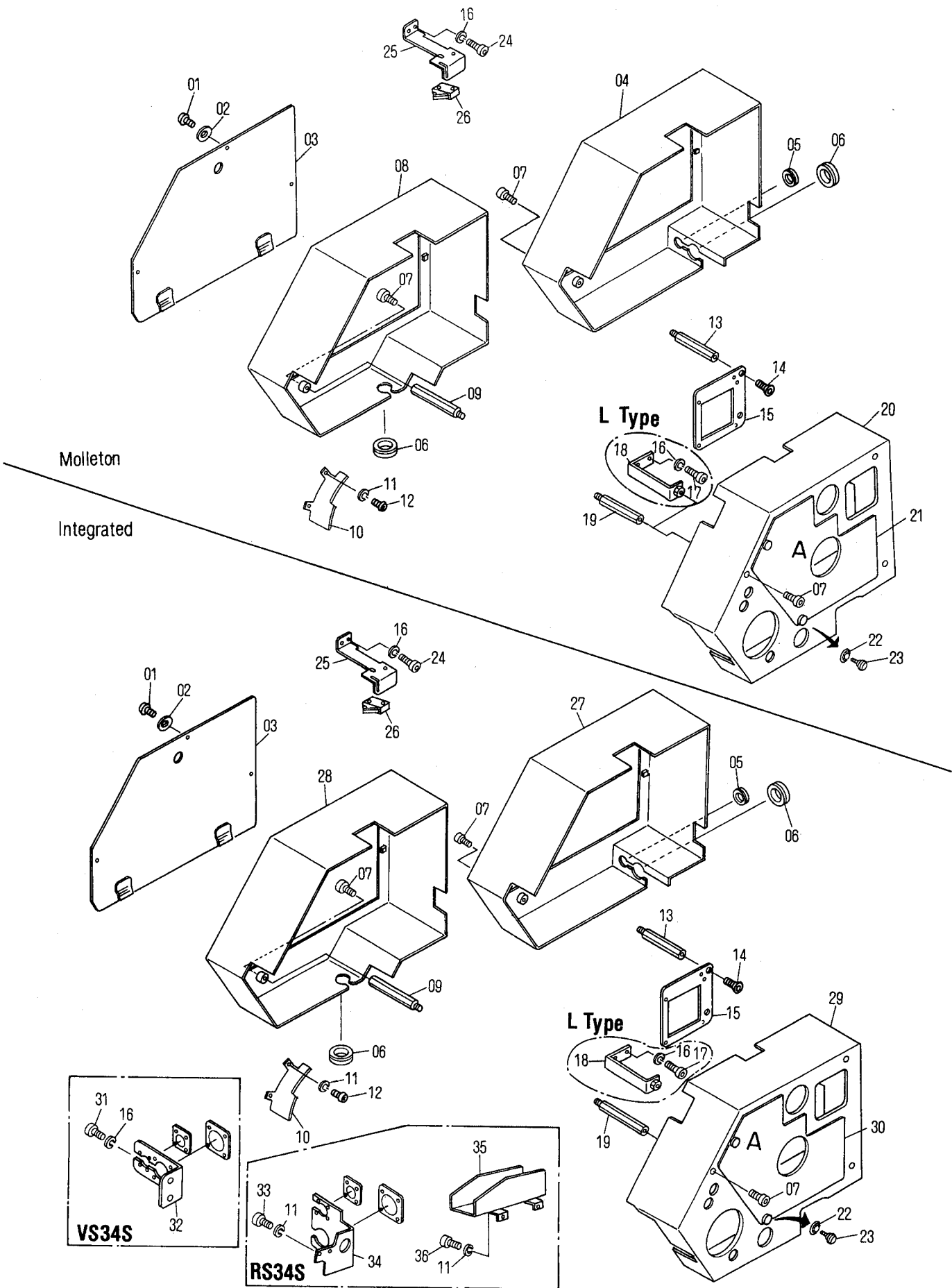
INDEX No.	Parts No.	Description	Remarks	Units Per Assy
01	6907-01002	Frame	Molton	1
02	6907-01004	Frame	Integrated	1
03	117-375	Screw		2
04	6907-01035	Stopper	NOP-S	1
05	145-506	Set Screw		2
06	6907-01042	Gear		1
07	6907-01050	Guide	Molton	1
08	125-710.01	Screw		3
09	180-105.01	Lock Washer		3
10	6907-01055	Guide	Integrated	1
11	6907-01047	Shaft		1
12	A03-22-3	Spacer		1
13	180-106	Lock Washer		1
14	6907-01054	Stud Pin		(2)
15	6907-01008	Shaft		1
16	M04-78-3	Pin		2
17	250-126.6	Bearing	Included in 18, 57	4
18	6907-01006A	Slide Base Assy	NOP-S	1
19	4807-01013	Pin	Included in 18, 57	4
20	117-370	Screw		6
21	4207-12088	Cover		1
22	E10-29-3	Limit Switch		1
23	125-710	Screw		4
24	180-105	Lock Washer		7
25	6907-01044	Limit Switch Bracket		1
26	6907-01025	Rack Gear		2
27	117-512	Screw		2
28	4207-01011A	Stopper		2
29	4207-01054	Rubber		2
30	117-465	Screw		12
31	6907-01016	Bracket	NOP-S	1
32	6907-01017	Block		2
33	180-108	Lock Washer		4
34	117-518	Screw		3
35	117-365	Screw		4
36	4207-01013	Stopper	NOP-S	1
37	6907-01037	Shim	(t=0.3)	—
38	6907-01038	Shim	(t=0.2)	—
39	6907-01039	Shim	(t=0.1)	—
40	6907-01040	Shim	(t=0.05)	—
41	6907-01041	Shim	(t=0.03)	—
42	6907-01018	Screw		2
43	6907-01012	Block	NOP-S	1
44	6907-01020	Stopper		1
45	X12-09-3	Spacer		2
46	117-366	Screw		2
47	X10-29-3	Spacer		1
48	6907-01001	Frame	Molton	1
49	6907-01003	Frame	Integrated	1
50	183-186	Roll Pin		1
51	4807-01015	Gear		1
52	145-356	Set Screw		1
53	6907-01027	Handle		1
54	6907-01029	Bracket		1
55	6907-01034	Stopper	OP-S	1
56	6907-01036A	Stopper	OP-S	1
57	6907-01007A	Slide Base Assy		1
58	6907-01028	Guide		1
59	117-525	Screw		2
60	170-105	Nut		1
61	6907-01043	Handle		1
62	4207-01050	Hook		1
63	I06-23-3	Spring		1
64	6907-01023	Pin		1
65	181-406	E-Ring		1
66	117-362	Screw		2
67	6907-01022	Block		1
68	6907-01026	Stopper		1
69	6907-01015	Bracket	OP-S	1
70	4207-01012	Stopper	OP-S	1
71	6907-01011	Block	OP-S	1



**Connecting Section  
Slide Base and Rack Gear (VS34S / VS34LS)**

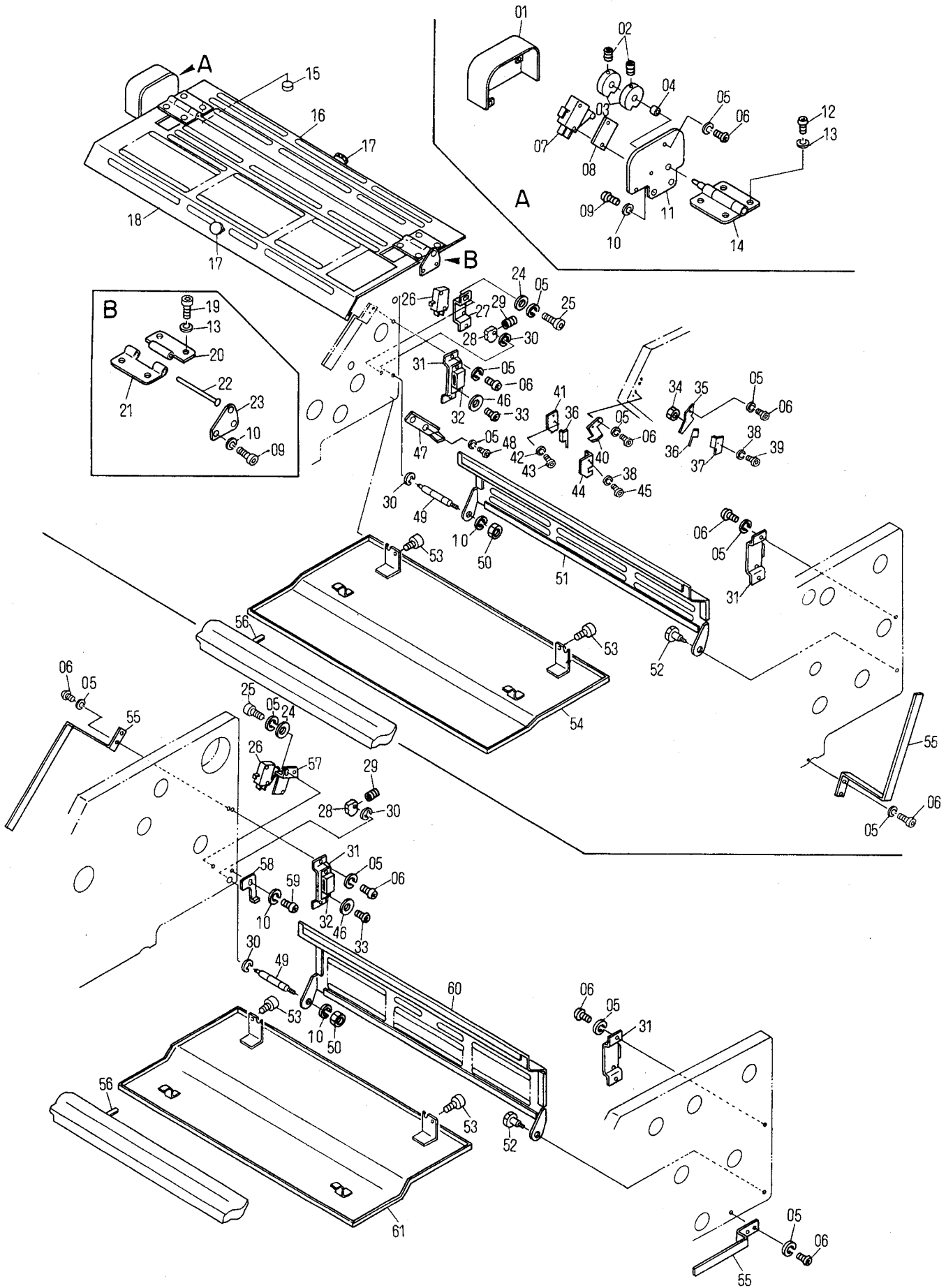
W2017

INDEX No.	Parts No.	Description	Remarks	Units Per Assy
01	6907-01002	Frame	Molton	1
02	6907-01004	Frame	Integrated	1
03	117-375	Screw		2
04	6907-01035	Stopper	NOP-S	1
05	145-506	Set Screw		2
06	6907-01042	Gear		1
07	6907-01050	Guide	Molton	1
08	125-710.01	Screw		3
09	180-105.01	Lock Washer		3
10	6907-01055	Guide	Integrated	1
11	6907-01047	Shaft		1
12	A03-22-3	Spacer		1
13	180-106	Lock Washer		1
14	6907-01054	Stud Pin		(2)
15	6907-01008	Shaft		1
16	M04-78-3	Pin		2
17	117-365	Screw		4
18	6907-01053	Stopper	NOP-S	1
19	250-126.6	Bearing	Included in 20, 55	4
20	6907-01006A	Slide Base Assy	NOP-S	1
21	4807-01013	Pin	Included in 20, 55	4
22	117-370	Screw		4
23	117-465	Screw		4
24	6907-01024	Rack Gear		2
25	4207-01013	Stopper	NOP-S	1
26	6907-01014	Bracket	NOP-S	1
27	6907-01017	Block		2
28	180-108	Lock Washer		4
29	180-105	Lock Washer		6
30	117-512	Screw		1
31	117-518	Screw		5
32	6907-01037	Shim	(t=0.3)	—
33	6907-01038	Shim	(t=0.2)	—
34	6907-01039	Shim	(t=0.1)	—
35	6907-01040	Shim	(t=0.05)	—
36	6907-01041	Shim	(t=0.03)	—
37	6907-01018	Screw		2
38	6907-01010	Block	NOP-S	1
39	6907-01020	Stopper		1
40	X12-09-3	Spacer		2
41	117-366	Screw		2
42	X10-29-3	Spacer		1
43	6907-01001	Frame	Molton	1
44	6907-01003	Frame	Integrated	1
45	183-186	Roll Pin		1
46	4807-01015	Gear		1
47	145-356	Set Screw		1
48	6907-01027	Handle		1
49	6907-01034	Stopper	OP-S	1
50	4807-01035	Pin		1
51	5203-09024	Spring		2
52	6907-01021	Pin		1
53	4807-01036	Knob		2
54	6907-01019	Block	OP-S	1
55	6907-01007A	Slide Base Assy	OP-S	1
56	6907-01052	Stopper		1
57	6907-01013	Bracket		1
58	6907-01045	Bracket		1
59	E10-29-3	Limit Switch		1
60	6907-01046	Cover		1
61	180-103	Lock Washer		2
62	125-618	Screw		2
63	125-712	Screw		2
64	4207-01012	Stopper	OP-S	1
65	6907-01009	Block		1







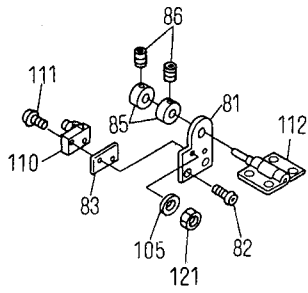


Cover and Tray  
(34S / 34LS)

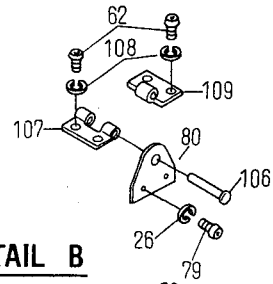
W2019

INDEX No.	Parts No.	Description	Remarks	Units Per Assy
01	6907-12011	Cover		1
02	145-408	Set Screw		2
03	CK13-26	Cam		2
04	CK13-22	Bushing		1
05	180-105	Lock Washer		14
06	125-710	Screw		12
07	E10-40-08-3	Limit Switch		1
08	CK13-15	Switch Base		1
09	117-362	Screw		4
10	180-106	Lock Washer		5
11	6907-12013	Bracket		1
12	125-715.01	Screw		4
13	180-105.01	Lock Washer		8
14	CK13-25B	Hinge Assy		1
15	CP01-03	Cushion	Included in 16, 18	2
16	6907-12024A	Cover		1
17	I29-32-3	Knob	Included in 16, 18	2
18	6907-12008A	Cover		1
19	125-708.01	Screw		4
20	G09-08-3	Hinge		1
21	G09-07-3	Hinge		1
22	G09-09-3	Hinge Pin		1
23	6907-12012	Bracket		1
24	184-105	Flat Washer		2
25	115-510	Screw		2
26	E10-29-3	Limit Switch		1
27	6907-12032	Bracket		1
28	6907-12019	Cam		1
29	145-404	Set Screw		1
30	181-406	E-Ring		1
31	6907-12031	Bracket		2
32	6907-12034	Magnet		2
33	125-608	Screw		2
34	170-103	Nut		2
35	6905-08060	Bracket		1
36	E10-30-3	Limit Switch		2
37	6905-08063	Cover		1
38	180-103	Lock Washer		2
39	125-618	Screw		2
40	6905-08063	Bracket		1
41	6905-08064	Bracket		1
42	180-104	Lock Washer		2
43	125-658	Screw		2
44	6905-08059	Cover		1
45	125-615	Screw		2
46	184-103	Flat Washer		1
47	6907-12046	Stopper		1
48	125-712	Screw		2
49	6907-12018	Pin		1
50	170-106	Nut		1
51	6907-12030	Cover	Molton	1
52	5105-02069	Screw		1
53	5103-18052	Screw		2
54	6907-07015	Tray	Molton	1
55	6905-18024	Bracket		1
56	I24-29-3	Pin		2
57	6907-12033	Bracket		1
58	6907-12045	Bracket		1
59	125-762	Screw		2
60	6907-12029	Cover		1
61	6907-07014	Tray		1

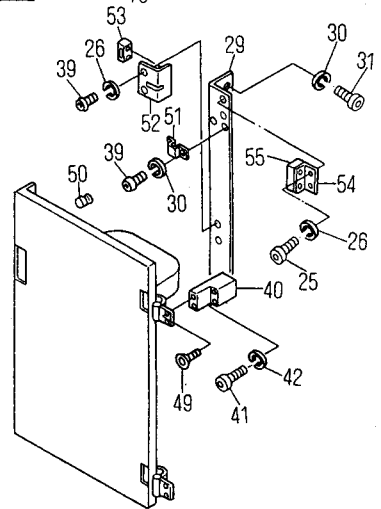
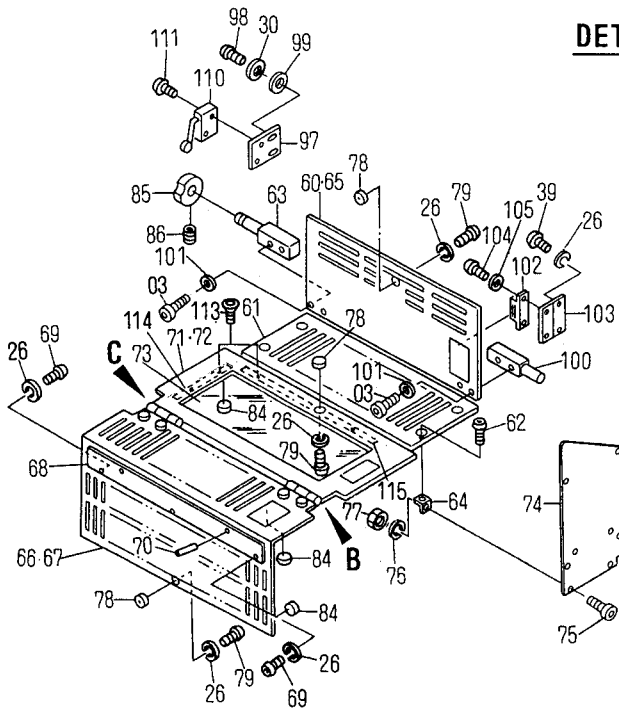
W2020



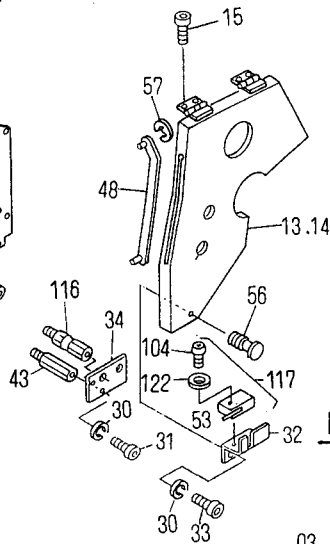
DETAIL C



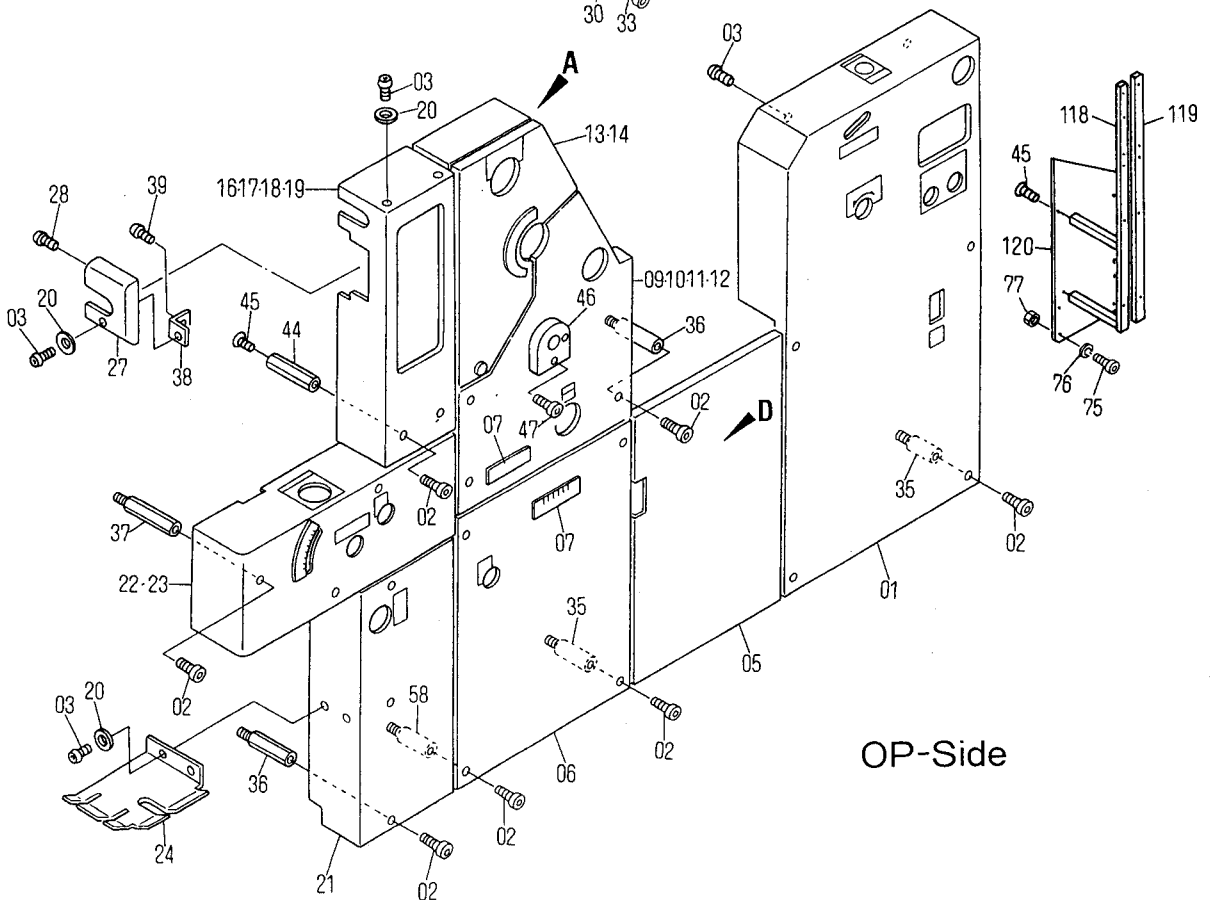
DETAIL B



DETAIL D



DETAIL A



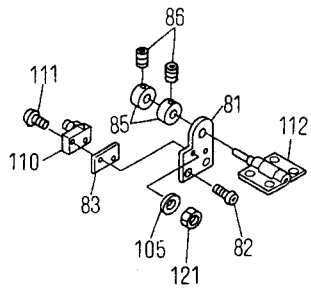
OP-Side

**Cover (OP-S)  
RS34S / RS34LS**

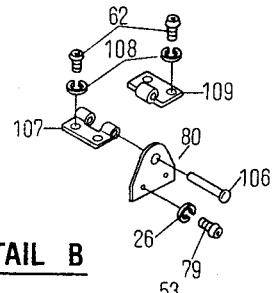
**W2020**

INDEX No.	Parts No.	Description	Remarks	Units Per Assy
01	6905-02089	Cover		1
02	117-510.01	Screw		22
03	125-710.01	Screw		14
05	6905-02008A	Cover		1
06	6905-02004A	Cover	RS34S	1
07	CK12-26	Included in 06, 09, 10, 11, 12		2
08	6905-02087	Cover	RS34LS	1
09	6905-02091B	Cover	Molton	1
10	6905-02093B	Cover for Handwheel Stop System	Molton	1
11	6905-02100B	Cover	Integrated	1
12	6905-02103B	Cover for handwheel Stop System	Integrated	1
13	6905-02003A	Cover	Molton	1
14	6905-02049A	Cover	Integrated	1
15	117-310	Screw		4
16	6905-02005	Cover	RS34S-M	1
17	6905-02064	Cover	RS34S-S	1
18	6805-02025	Cover	RS34LS-M	1
19	6905-02033	Cover	RS34LS-S	1
20	184-105.01	Flat Washer		3
21	6905-02007	Cover		1
22	6905-02006	Cover	RS34S	1
23	6905-02029	Cover	RS34LS	1
24	6905-02079	Bracket		1
25	117-510	Screw		6
26	180-105	Lock Washer		20
27	6905-02017	Cover		1
28	125-725	Screw		2
29	6905-02034	Bracket		1
30	180-105	Lock Washer		13
31	117-512	Screw		5
32	6905-02037	Bracket		1
33	117-506	Screw		2
34	6805-02038	Bracket		1
35	6905-02040	Stud		7
36	6905-02041	Stud		7
37	6905-02043	Stud		3
38	6905-02053	Bracket		1
39	125-710	Screw		11
40	6905-02056	Block		2
41	117-382	Screw		4
42	180-106	Lock Washer		4
43	6905-02058	Stud		2
44	6905-02063	Stud		2
45	122-165	Screw		6
46	6905-02070	Cover for Handwheel Stop System		1
47	117-530.01	Screw		2
48	6905-02075A	Arm		1
49	122-108	Screw		4
50	B02-87-3	Cushion Included in 05		2
51	6505-02039	Bracket		2
52	6505-02066	Bracket	Option	1
53	E10-30-3	Safety Switch	Option	2
54	6505-02085	Bracket		2
55	H12-32-3	Roller Catches		1
56	5105-02035	Screw		1
57	181-403	E-Ring		1
58	5208-01002	Stud		1
60	6905-08002A	Cover Assy	for Domestic	1
61	6905-08003	Cover		1
62	125-708.01	Screw		8
63	6905-08008	Pin		1
64	6905-08009	Bracket		4
65	6905-08002B	Cover Assy	for Export	1
66	6905-08010A	Cover Assy	for Domestic	1
67	6905-08010B	Cover Assy	for Export	1
68	6905-08011	Cover Plate	Included in 66, 67	1
69	125-706	Screw		3
70	183-178	Roll Pin		2

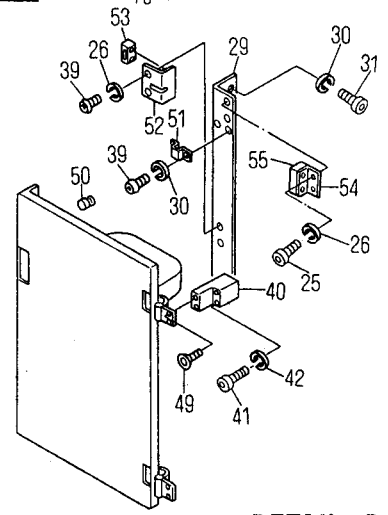
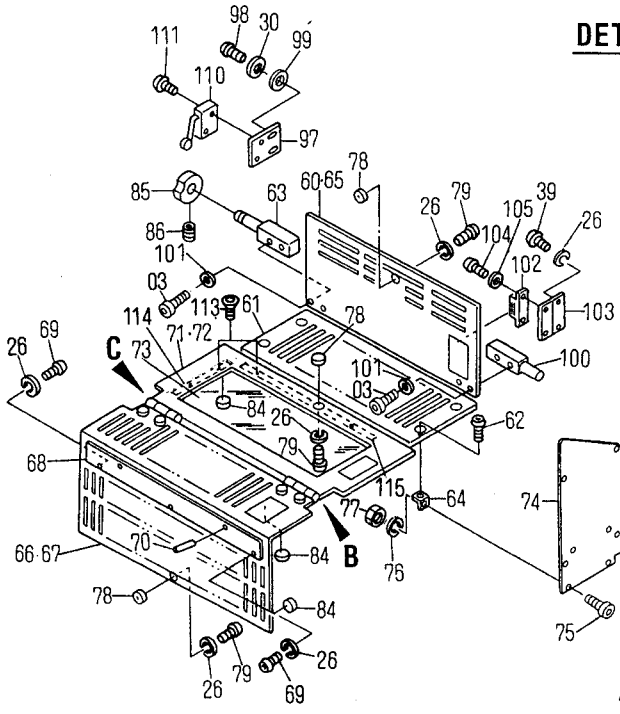
W2020



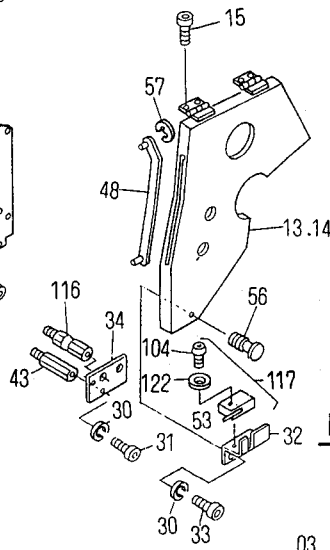
**DETAIL C**



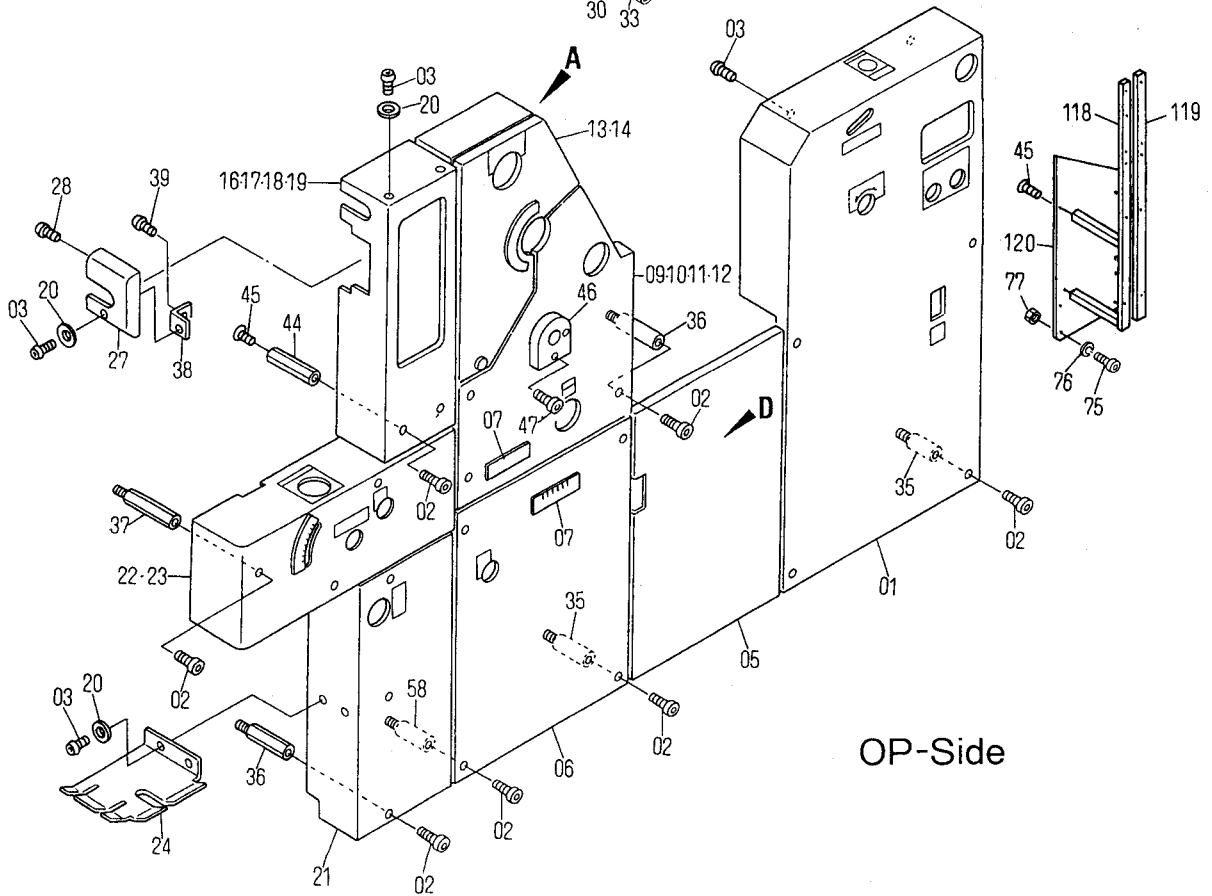
**DETAIL B**



**DETAIL D**



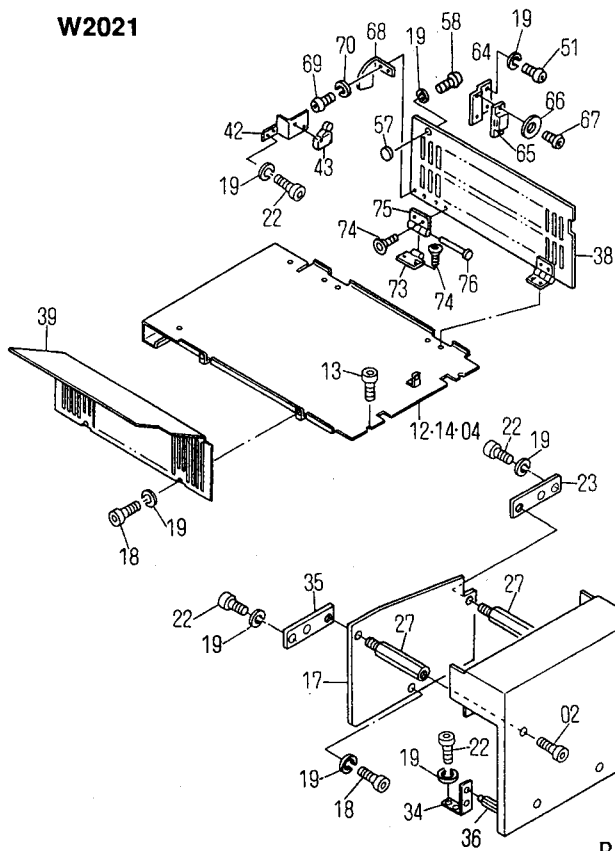
**DETAIL A**



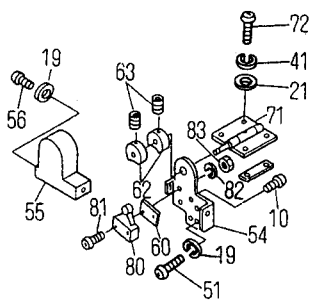
OP-Side



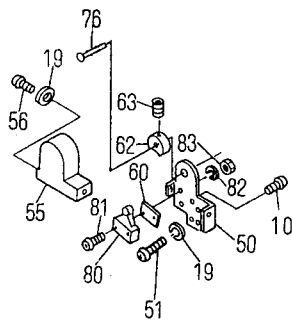
W2021



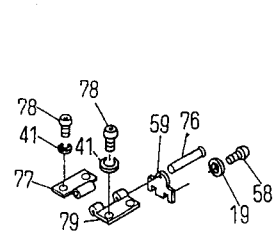
DETAIL D



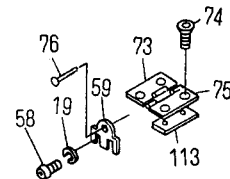
DETAIL A



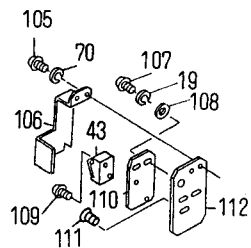
DETAIL E



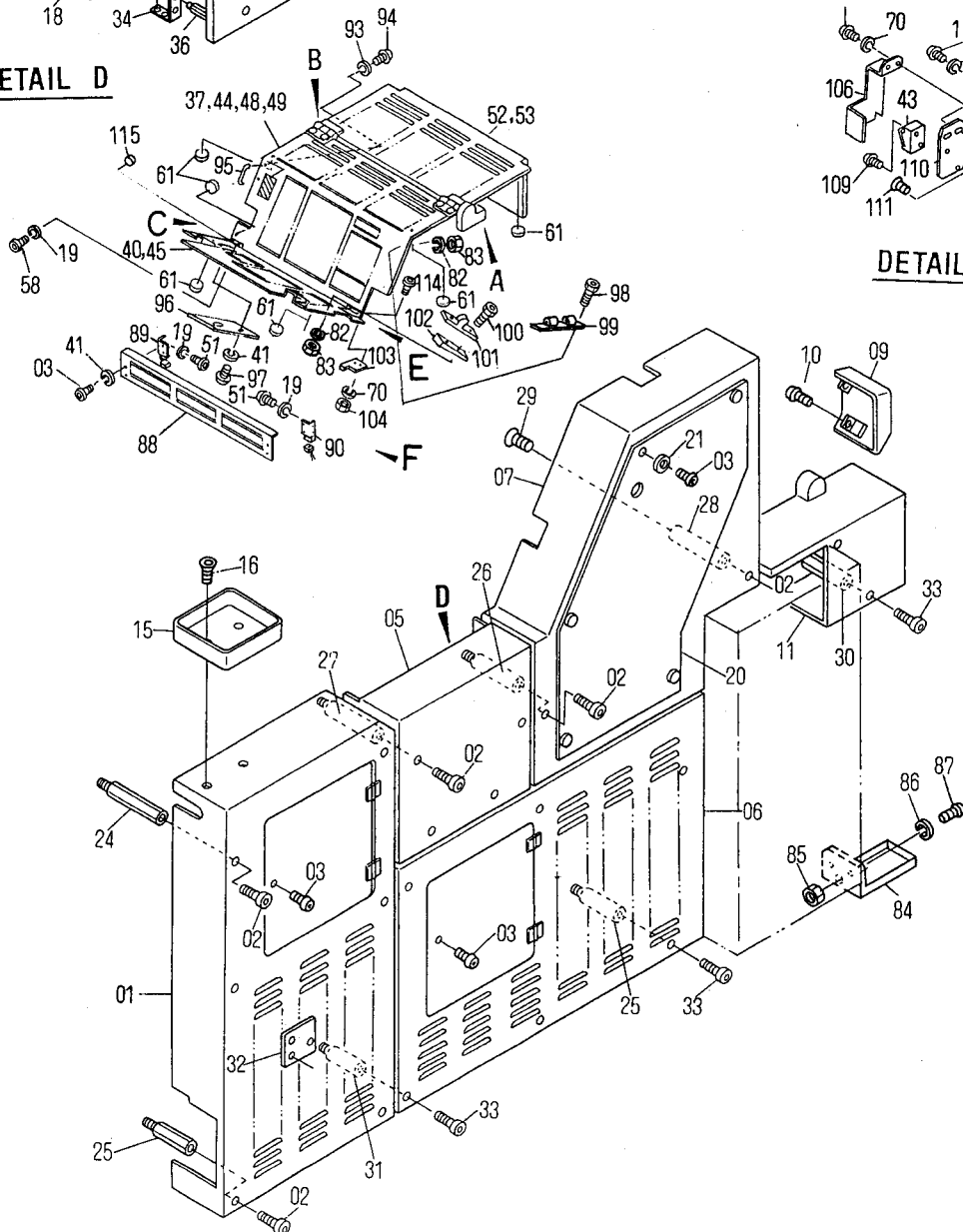
DETAIL B



DETAIL C



DETAIL F



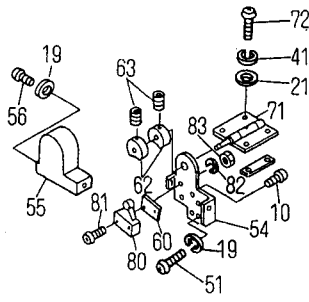
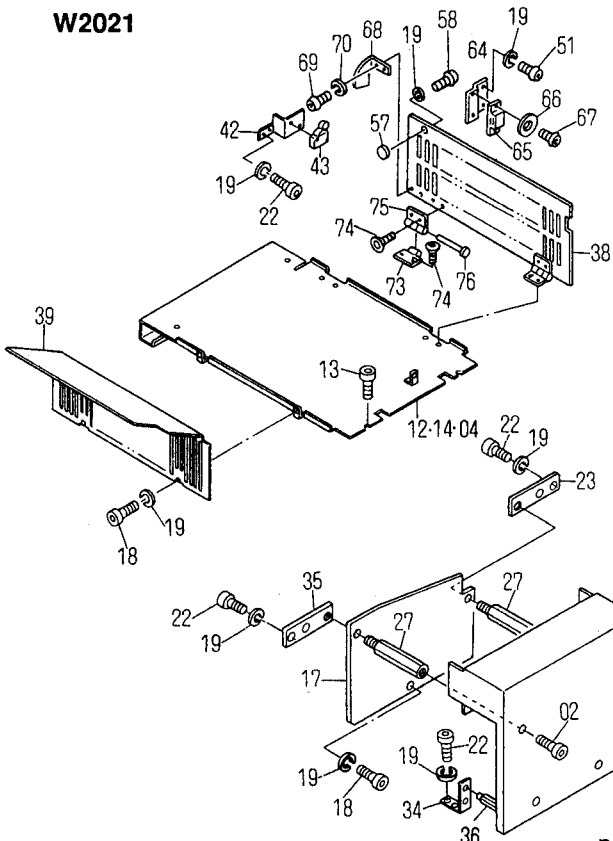


**Cover (NOP-S)  
RS34S / RS34LS**

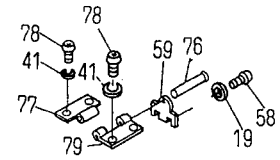
**W2021**

INDEX No.	Parts No.	Description	Remarks	Units Per Assy
01	6905-02090	Cover	~RS-3I020	1
02	117-510.01	Screw		22
03	125-710.01	Screw		12
04	6905-02124	Cover		1
05	6905-02126	Cover		1
06	6905-02012A	Cover		1
07	6905-02092	Cover	Molton	1
08	6905-02104	Cover	Integrated	1
09	6905-02018	Cover		1
10	125-725	Screw		2
11	6905-02016	Cover		1
12	6905-02014	Cover	~RS-3J036	1
13	117-510	Screw		4
14	6905-02088	Cover		1
15	6905-02020	Tray		1
16	122-106	Screw		2
17	6905-02021	Cover		1
18	117-508	Screw		3
19	180-105	Lock Washer		33
20	6905-02030	Cover		1
21	184-105.01	Flat Washer		5
22	117-512	Screw		10
23	6905-02036	Bracket		1
24	6905-02044	Stud		2
25	6905-02045	Stud		9
26	6905-02046	Stud		4
27	6905-02047	Stud		2
28	6905-02048	Stud		2
29	122-165	Screw		2
30	6905-02050	Stud		2
31	6905-02051	Stud		1
32	6905-02052	Bracket		1
33	117-510.01	Screw		2
34	6905-02080	Bracket		2
35	6905-02081	Bracket		1
36	5105-02059	Stud		2
37	6905-08024A	Cover Assy	Molton, for Domestic	1
38	6905-08004	Cover		1
39	6905-08005	Cover		1
40	6905-08025A	Cover Assy	for Domestic	1
41	180-105.01	Screw		12
42	6905-08007	Bracket		1
43	E10-29-3	Safety Switch		1
44	6905-08024B	Cover Assy	Molton, for Export	1
45	6905-08025B	Cover Assy	for Export	1
48	6905-08026A	Cover Assy	Integrated, for Domestic	1
49	6905-08026B	Cover Assy	Integrated, for Export	1
50	6905-08020	Bracket		1
51	125-710	Screw		6
52	6805-08003A	Cover Assy	for Domestic	1
53	6805-08003B	Cover Assy	for Export	1
54	6805-08009	Bracket		1
55	6805-08010	Cover		2
56	125-705	Screw		4
57	129-32-3	Knob	Included in 38, 40, 45, 52, 53	4
58	125-712	Screw		8
59	CK13-21	Bracket		2
60	CK13-15	Switch Base	Option	2
61	CP01-03	Rubber	Included in 37, 40, 44, 45, 48, 49, 52, 53	8
62	5105-02020	Cam	Option	3
63	145-408	Set Screw		3
64	5805-02213	Bracket		1
65	5203-02030	Magnet		1
66	184-103	Flat Washer		2
67	125-608	Screw		2
68	6505-02082	Cam		1
69	125-660	Screw		2
70	180-104	Lock Washer		2

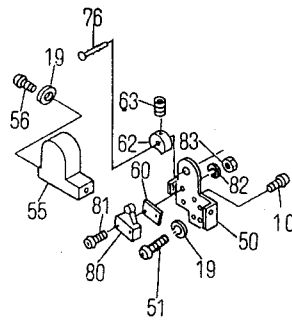
W2021



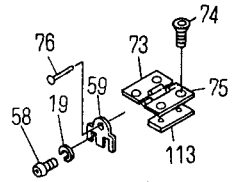
DETAIL A



DETAIL B

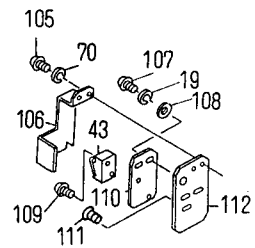
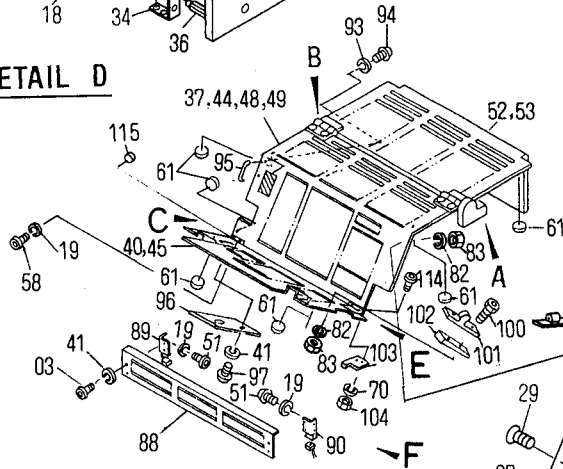


DETAIL E

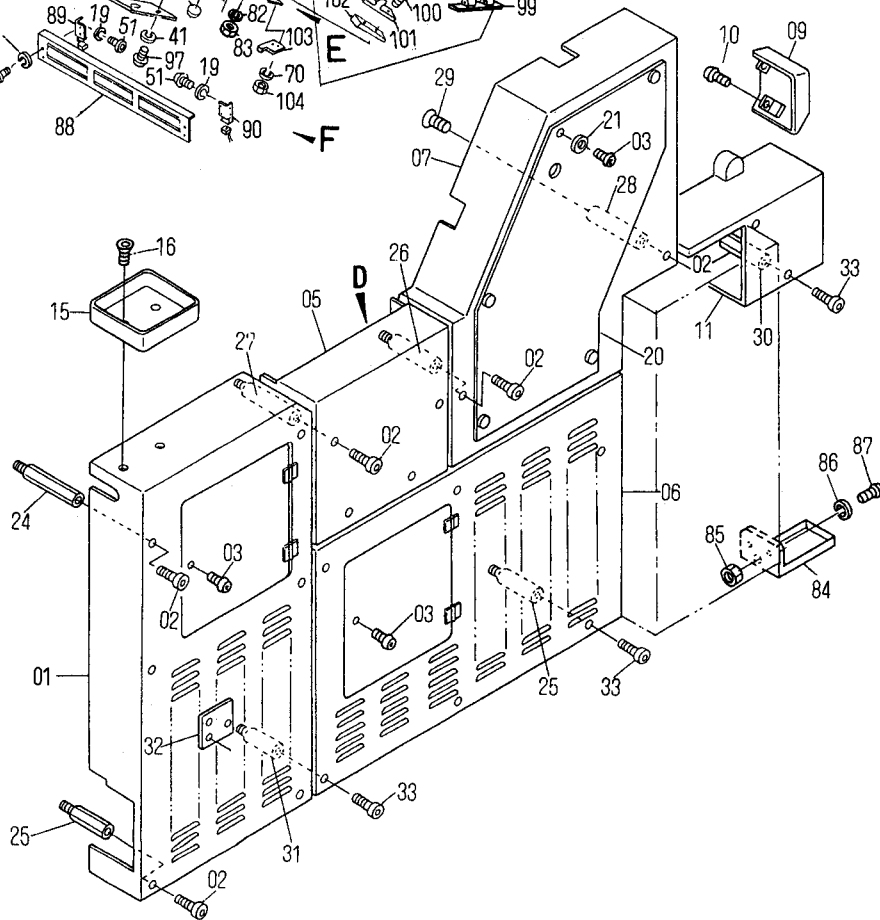


DETAIL C

DETAIL D



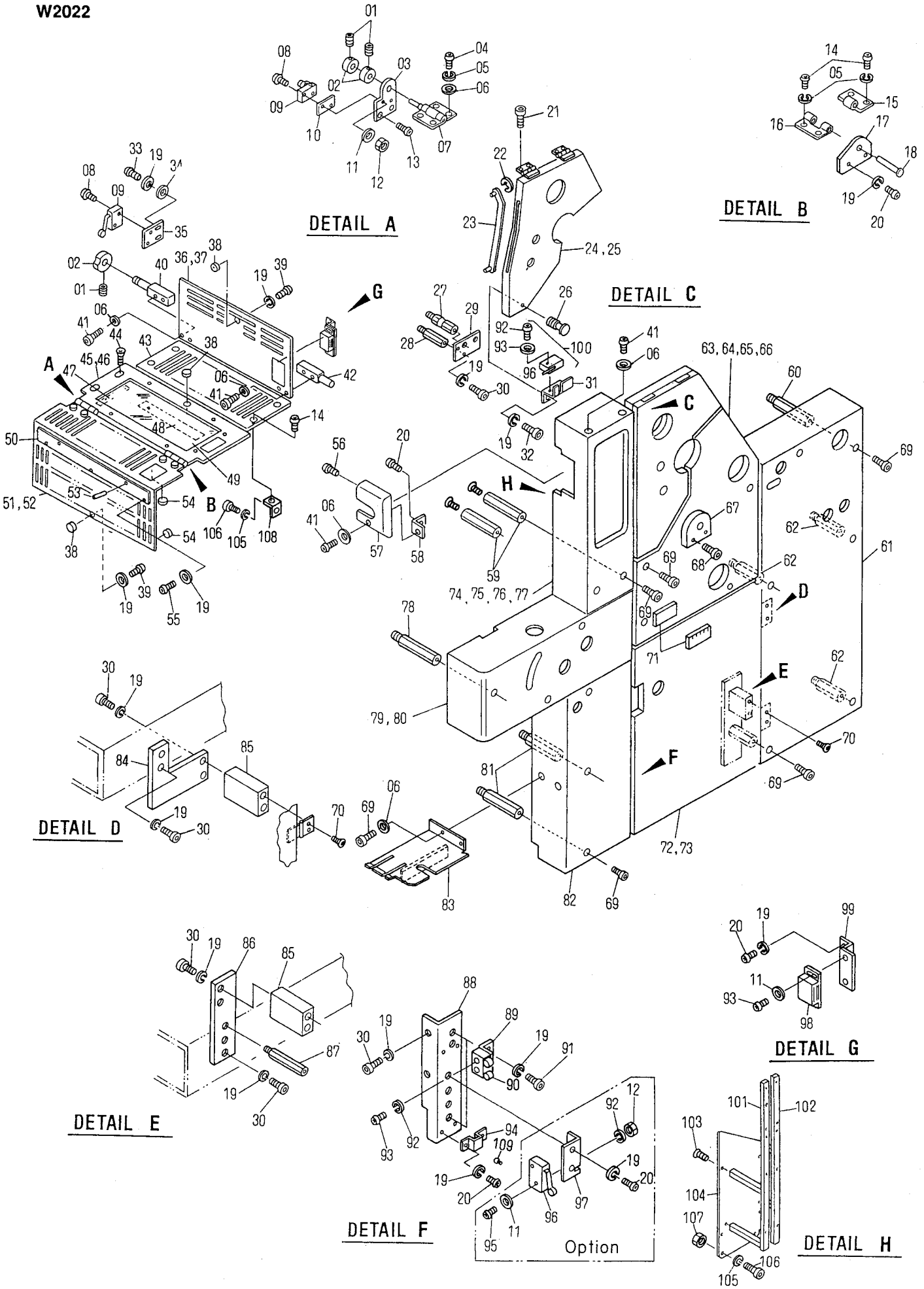
DETAIL F



**Cover (NOP-S)  
RS34S / RS34LS**

**W2021**

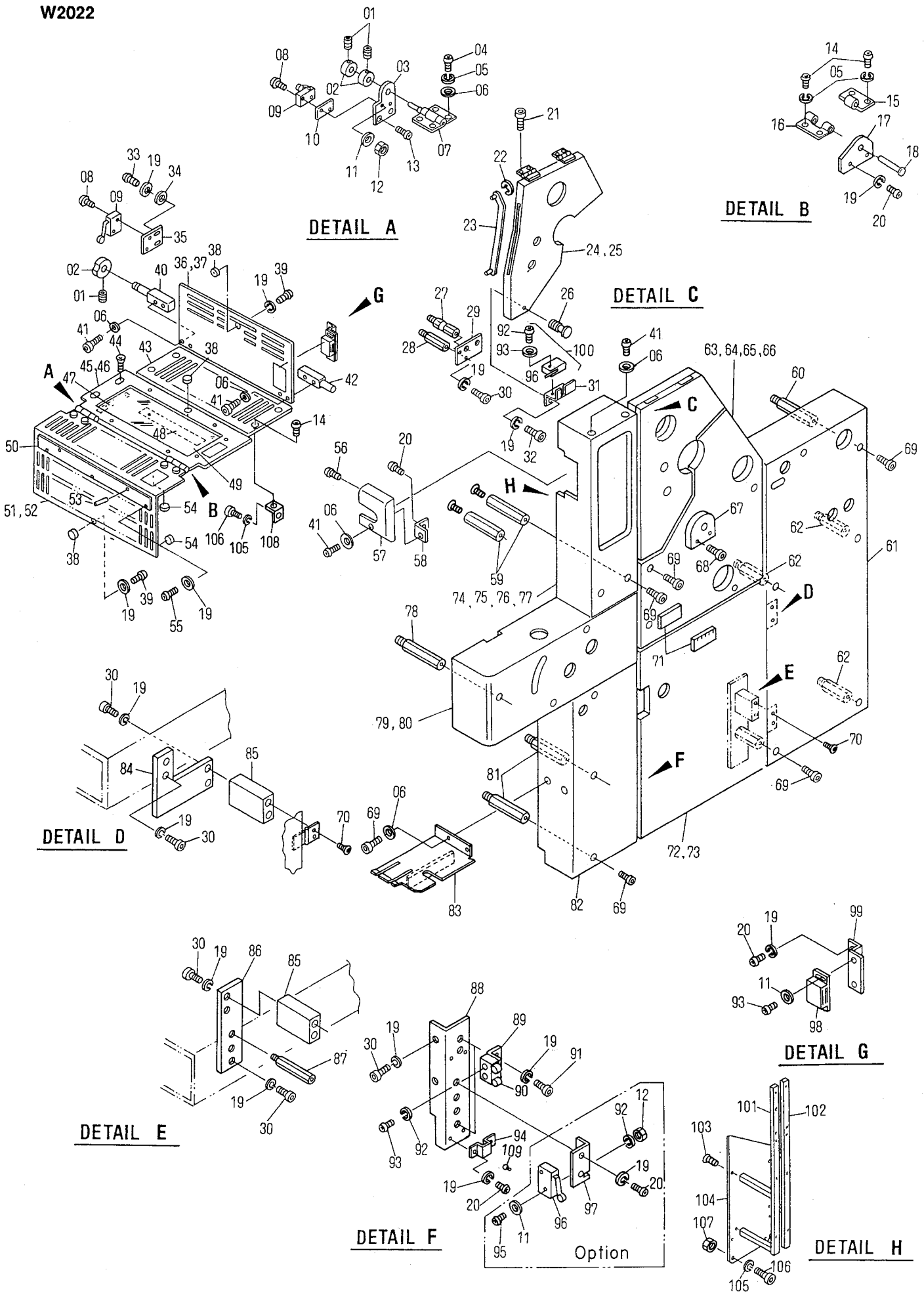
INDEX No.	Parts No.	Description	Remarks	Units Per Assy
71	CK13-25B	Hinge Assy		1
72	125-715.01	Screw		4
73	4807-21008	Hinge		2
74	122-056.01	Screw		8
75	4807-21022	Hinge		1
76	G09-09-3	Hinge Pin		4
77	G09-08-3	Hinge		1
78	125-708.01	Screw		4
79	G09-07-3	Hinge		1
80	E10-29-3	Safety Switch	Option	2
81	125-615	Screw		4
82	180-103	Lock Washer		4
83	170-103	Nut		4
84	6903-09041	Tray	RS34LS	1
85	170-106	Nut		2
86	180-106	Lock Washer		2
87	125-760	Screw		2
88	6905-08021	Cover	for Export	1
89	6902-05078	Bracket	for Export	1
90	6902-05079	Bracket	for Export	1
91	6905-08051	Cover	Included in 40, 45	1
92	6905-08057	Handle	Included in 37, 44, 48, 49	1
93	180-104.01	Lock Washer		2
94	125-660.01	Screw		2
95	6905-08057	Knob	Included in 37, 44, 48, 49	1
96	6905-08051	Cover	Included in 40, 45	1
97	125-708.01	Screw		2
98	122-010.01	Screw		2
99	6905-08062	Roller Catcher		1
100	122-018.01	Screw		2
101	6905-08062	Roller Catcher		1
102	6905-08058	Spacer		1
103	6905-08061	Bracket	Included in 40, 45	1
104	170-104	Nut		1
105	125-656	Screw		2
106	6905-08043	Safety Switch Cover		1
107	125-708	Screw		2
108	184-105	Flat Washer		2
109	125-612	Screw		2
110	5805-02389	Plate		1
111	122-160	Screw		2
112	6905-08044	Safety Switch Bracket		1
113	4807-21006	Bracket		1
114	125-658	Screw		2
115	I29-32-3	Knob	Included in 40, 45	2



**Cover (OP-S)  
VS34S / VS34LS**

**W2022**

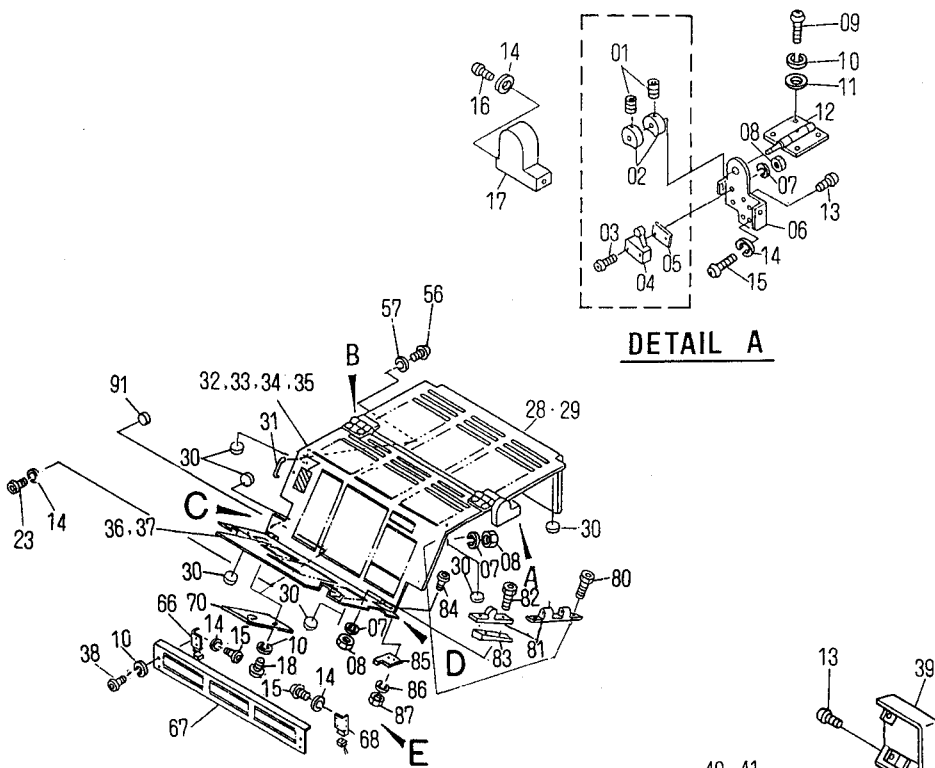
INDEX No.	Parts No.	Description	Remarks	Units Per Assy
01	145-408	Set Screw		3
02	CK13-26	Cam		3
03	5105-02072	Bracket		1
04	125-715.01	Screw		4
05	180-105.01	Lock Washer		6
06	184-105.01	Flat Washer		21
07	CK13-25B	Hinge Assy		1
08	125-615	Screw		2
09	E10-29-3	Safety Switch		1
10	CK13-15	Switch Base		1
11	184-103	Flat Washer		4
12	170-103	Nut		4
13	125-718	Screw		2
14	125-708.01	Screw		8
15	G09-08-3	Hinge		1
16	G09-07-3	Hinge		1
17	6905-08046	Bracket		1
18	G09-09-3	Hinge Pin		1
19	180-105	Lock Washer		22
20	125-710	Screw		3
21	117-310	Screw		4
22	181-403	E-Ring		1
23	6905-02075A	Arm		1
24	6905-02003A	Cover	Molton	1
25	6905-02049A	Cover	Integrated	1
26	5105-02035	Screw		1
27	6905-02123	Stud		1
28	6905-02058	Stud		1
29	6905-02038	Bracket		1
30	117-512	Screw		10
31	6905-02037	Bracket		1
32	117-506	Screw		2
33	125-715	Screw		2
34	184-105	Flat Washer		2
35	5805-02477	Bracket		2
36	6905-08002A	Cover Assy	for Domestic	1
37	6905-08002B	Cover Assy	for Export	1
38	129-32-3	Knob	Included in 36, 37, 45, 46	3
39	125-712	Screw		3
40	6905-08008	Pin		1
41	125-710.01	Screw		5
42	5805-02478	Pin		1
43	6905-08003	Cover		1
44	122-058	Screw		8
45	6905-08017A	Cover Assy	for Domestic	1
46	6505-08017B	Cover Assy	for Export	1
47	6505-02061	Bracket	Included in 45, 46	2
48	6505-02062	Bracket	Included in 45, 46	2
49	6905-08018	Cover	Included in 45, 46	1
50	6905-08011	Cover Plate	Included in 51, 52	1
51	6905-08010A	Cover Assy	for Domestic	1
52	6905-08010B	Cover Assy	for Export	1
53	183-178	Roll Pin		2
54	CP01-03	Rubber		6
55	125-706	Screw		3
56	125-725	Screw		1
57	6905-02017	Cover		1
58	6905-02053	Bracket		1
59	6905-02063	Stud		2
60	6905-02042	Stud		2
61	6905-02101	Cover		1
62	6905-02040	Stud		3
63	6905-02096B	Cover	Integrated	1
64	6905-02094B	Cover	Molton	1
65	6905-02099B	Cover	for Handwheel Stop System Integrated	1
66	6905-02098B	Cover	for Handwheel Stop System Molton	1
67	6905-02070	Cover	for Handwheel Stop System	1
68	117-530.01	Screw		2
69	117-510.01	Screw		22
70	122-110	Screw		4



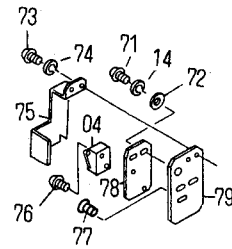
**Cover (OP-S)  
VS34S / VS34LS**

**W2022**

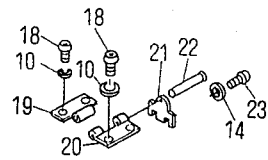
INDEX No.	Parts No.	Description	Remarks	Units Per Assy
71	CK12-26	Cover		2
72	6905-02072B	Cover	VS34S	1
73	6905-02032B	Cover	VS34LS	1
74	6905-02005	Cover	VS34S-M	1
75	6905-02064	Cover	VS34S-S	1
76	6905-02025	Cover	VS34LS-M	1
77	6905-02033	Cover	VS34LS-S	1
78	6905-02043	Stud		3
79	6905-02006	Cover	VS34S	1
80	6905-02029	Cover	VS34LS	1
81	6905-02041	Stud		3
82	6905-02007	Cover		1
83	6905-02079	Bracket		1
84	6905-02060	Bracket		1
85	6905-02062	Bracket		2
86	6905-02061	Bracket		1
87	6905-02058	Stud		1
88	6905-02066	Bracket		1
89	6505-02085	Bracket		2
90	H12-32-3	Roller Catches		2
91	117-510	Screw		2
92	180-103	Lock Washer		4
93	125-608	Screw		4
94	6505-02039	Bracket		2
95	125-612	Screw		4
96	E10-30-3	Safety Switch		2
97	6505-02066	Bracket		1
98	5205-02030	Magnet		2
99	5805-02213	Bracket		2
100	6905-02037A	Safety Switch Assy	(31, 92, 93, 96)	1
101	6905-18001	Bracket		1
102	6905-18003	Bracket		1
103	122-165	Screw		4
104	6905-18004	Plate		1
105	180-108	Lock Washer		2
106	117-468	Screw		2
107	170-108	Nut		2
108	6905-08009	Bracket		4
109	B02-87-3	Cushion	Included in 72, 73	1



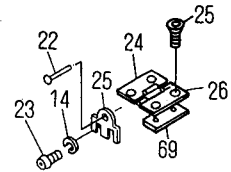
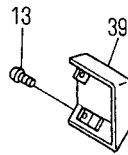
DETAIL A



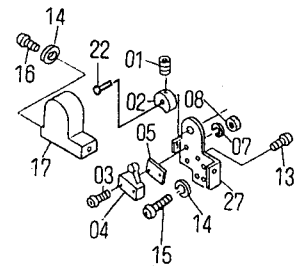
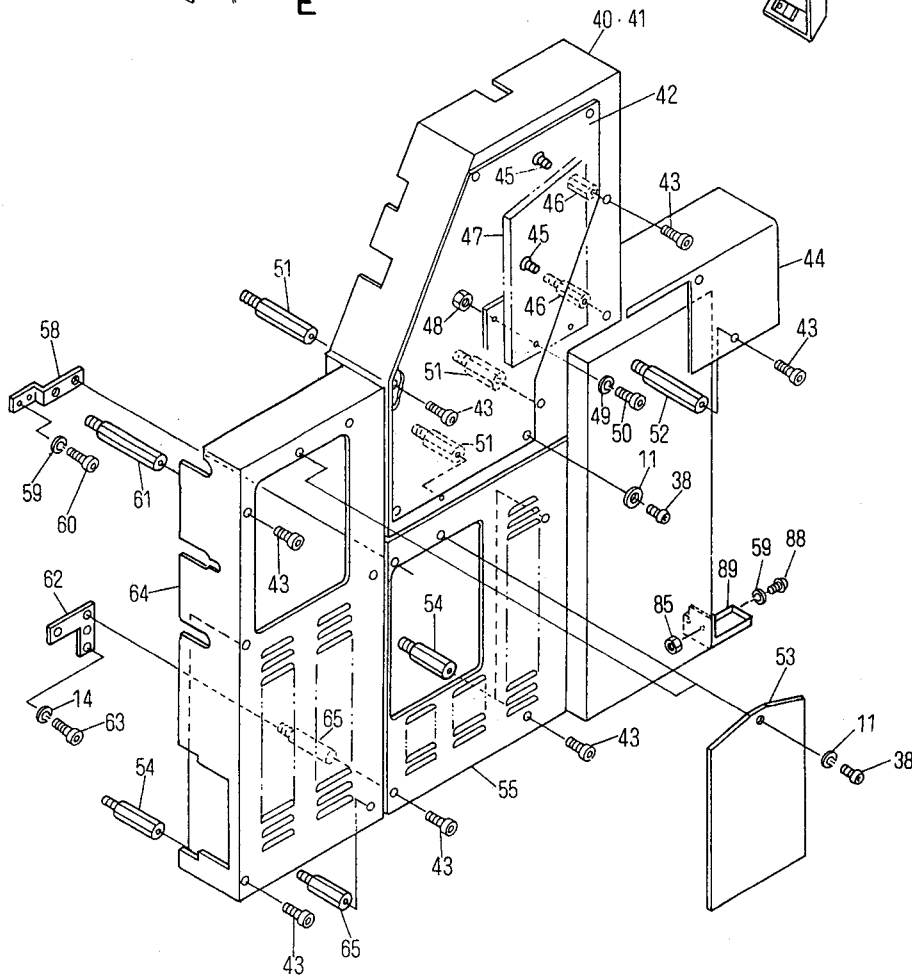
DETAIL E



DETAIL B



DETAIL C



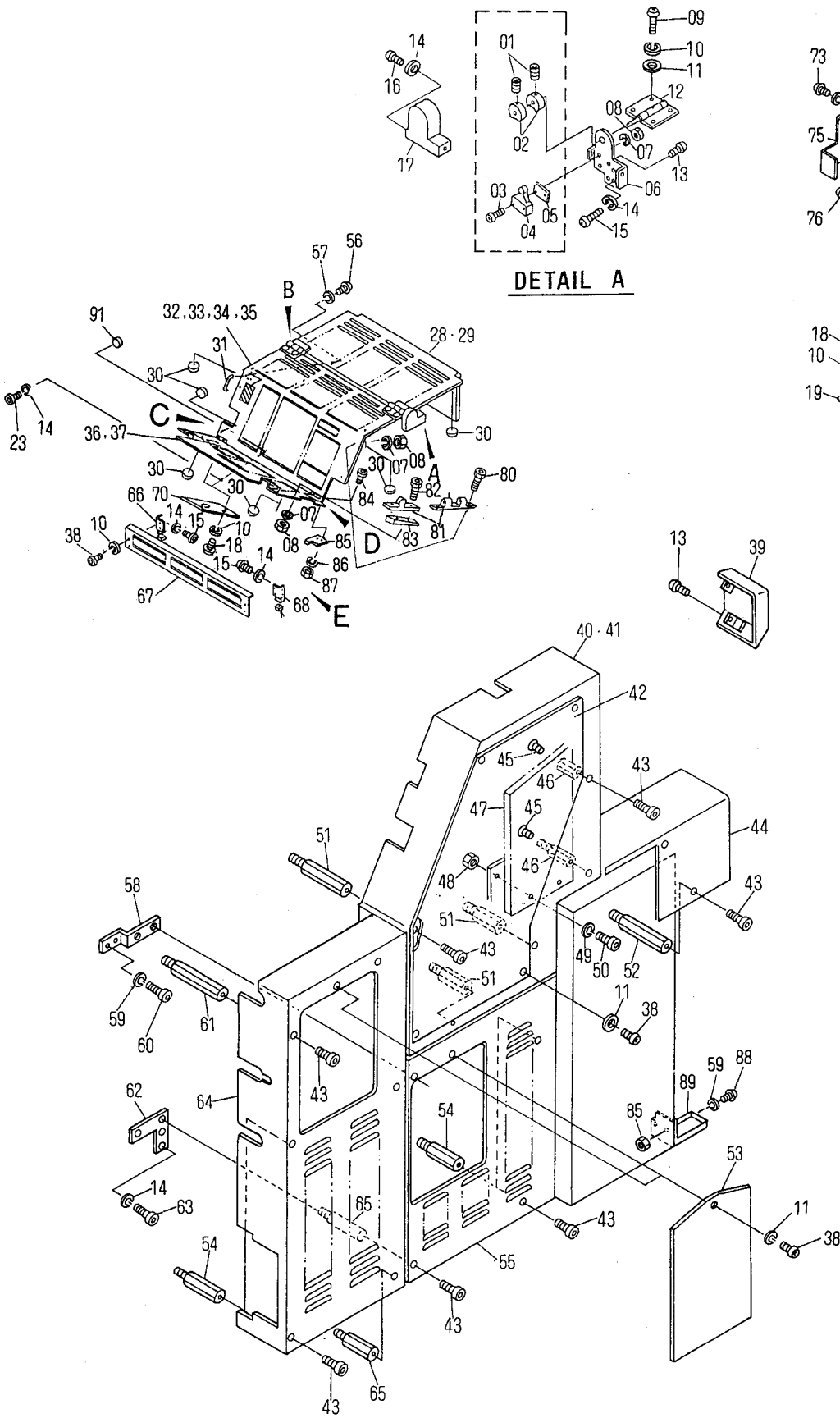
DETAIL D



**Cover (NOP-S)  
VS34S / VS34LS**

**W2023**

INDEX No.	Parts No.	Description	Remarks	Units Per Assy
01	145-408	Set Screw		2
02	5105-02020	Cam		2
03	125-615	Screw		2
04	E10-29-3	Safety Switch		1
05	CK13-15	Switch Base		1
06	6805-08009	Bracket		1
07	180-103	Lock Washer		2
08	170-103	Nut		2
09	125-715.01	Screw		4
10	180-105.01	Lock Washer		12
11	184-105.01	Flat Washer		8
12	CK13-25B	Hinge Assy		1
13	125-725	Screw		4
14	180-105	Lock Washer		10
15	125-710	Screw		4
16	125-705	Screw		4
17	6805-08010	Cover		2
18	125-708.01	Screw		4
19	G09-08-3	Hinge		1
20	G09-07-3	Hinge		1
21	CK13-21	Bracket		1
22	G09-09-3	Hinge Pin		1
23	125-712	Screw		6
24	4807-21008	Hinge		1
25	122-056.01	Screw		4
26	4807-21022	Hinge		1
27	6905-08020	Bracket		1
28	6805-08003A	Cover Assy	for Domestic	1
29	6805-08003B	Cover Assy	for Export	1
30	CP01-03	Rubber	Included in 28, 29, 32-37	6
31	6905-08057	Knob	Included in 32-37	1
32	6905-08024A	Cover Assy	Molton, for Domestic	1
33	6905-08024B	Cover Assy	Molton, for Export	1
34	6905-08026A	Cover Assy	Integrated, for Domestic	1
35	6905-08026B	Cover Assy	Integrated, for Export	1
36	6905-08025A	Cover Assy	for Domestic	1
37	6905-08025B	Cover Assy	for Export	1
38	125-710.01	Screw		4
39	6905-02018	Cover		1
40	6905-02097	Cover	Integrated	1
41	6905-02095	Cover	Molton	1
42	6905-02030	Cover		1
43	117-510.01	Screw		17
44	6905-02016	Cover		1
45	122-165	Screw		2
46	6905-02048	Stud		2
47	6905-18005	Plate		1
48	170-108	Nut		2
49	180-108	Lock Washer		2
50	117-468	Screw		2
51	6905-02046	Stud		2
52	6905-02050	Stud		2
53	6905-02068	Cover		2
54	6905-02045	Stud		3
55	6905-02027	Cover		1
56	125-660.01	Screw		2
57	180-104.01	Lock Washer		2
58	6905-02065	Bracket		1
59	180-106	Screw		2
60	117-362	Screw		2
61	6905-02044	Stud		2
62	6905-02067	Bracket		1
63	117-512	Screw		2
64	6905-02102	Cover		1
65	6905-02051	Stud		2
66	6905-08053	Bracket	OP-S	1
67	6905-08052	Cover	for Domestic	1
68	6905-08054	Bracket	NOP-S	1
69	4807-21006	Bracket		1
70	6905-08051	Cover	Included in 36, 37	1



DETAIL A

DETAIL E

DETAIL B

DETAIL C

DETAIL D

