

**Itek Graphix
430/435 Camera/Processor
(Relay Logic Controlled)**

**Technical & Parts
Manual**



Copyright © 1987 Itek Graphix Corp. All rights reserved. This manual may not be duplicated, reproduced or transmitted (in whole or in part) in any form or by any means, electronic or mechanical, (including without limitation photocopy, facsimile, recording or any information storage and retrieval system) without the prior written consent of Itek Graphix Corp

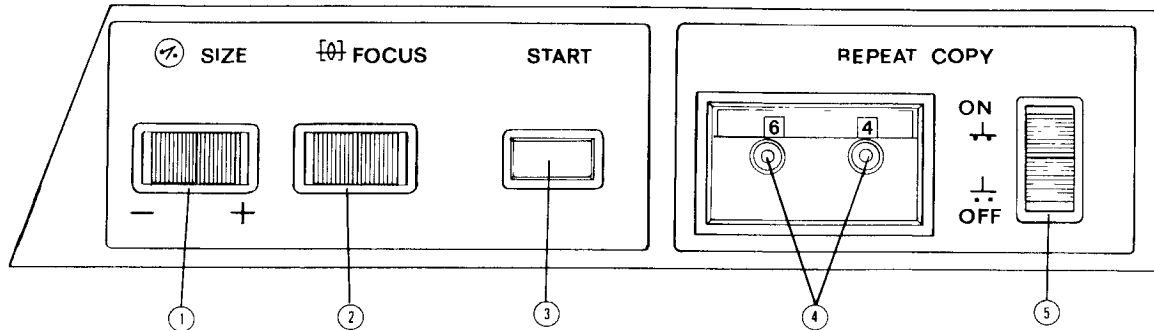
Disclaimer of Warranties (Express or Implied). While due care has been taken in the preparation of this manual, Itek Graphix Corp makes no representation or warranties with respect of the adequacy or accuracy hereof and specifically disclaims any implied warranties of merchantability or fitness for any particular purpose. Further, Itek Graphix Corp reserves the right to revise this publication and to make changes (both substantial and insubstantial in nature) in the contents hereof from time to time hereafter without obligation of Itek Graphix Corp to notify any person or organization of such revisions or changes

Safety Warning. Safety devices have been installed as original equipment for your protection and safety. The removal, disconnection or alteration of any safety guard, protective cover, safety interlock or other safety or protective device comprising part of the equipment described herein poses an undue safety hazard and the same is strictly prohibited

Disclaimer of Liability. Itek Graphix Corp disclaims any responsibility or liability for personal injury, death or property damage caused by or arising out of (i) the removal, disconnection or alteration of any safety guard, protective cover, safety interlock or other safety or protective device comprising part of the equipment described herein, or (ii) the failure of the person or persons operating the equipment described herein or servicing or repairing the same to observe all operating and safety procedures and warnings contained herein

Recommended Technical Training. The instructions herein are designed only to supplement a formalized training program for skilled service technicians who already possess full knowledge of general electrical and mechanical safety procedures. This document is not intended to be a guide for "Do it yourself" repair of the subject equipment by anyone who has not successfully completed a formal technical training course on the subject equipment

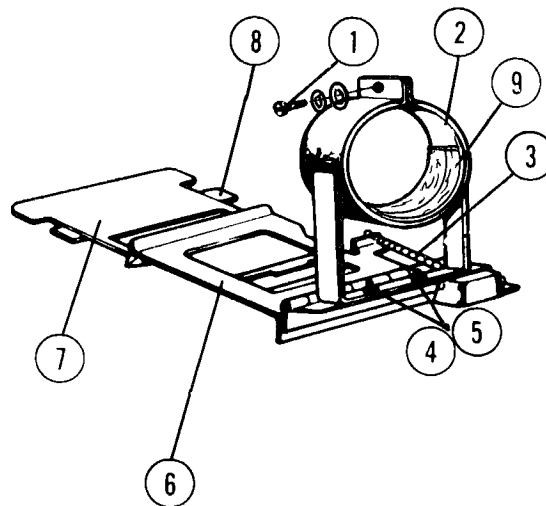
REPEAT COPY COUNTER PART NUMBER 19628301



- 1. 19229702 - Size Switch
- 2. 19229702 - Focus Switch
- 3. 19254201 - Start Switch
- 4. 19670401 - Repeat Counter
- 5. 19229701 - On/Off Switch

- NS 08938502 - Relays
- NS 19632601 - P.C. Board
- NS 19627301 - Decal
- NS 19633001 - Harness
- NS 19633101 - Harness
- NS 19633201 - Harness

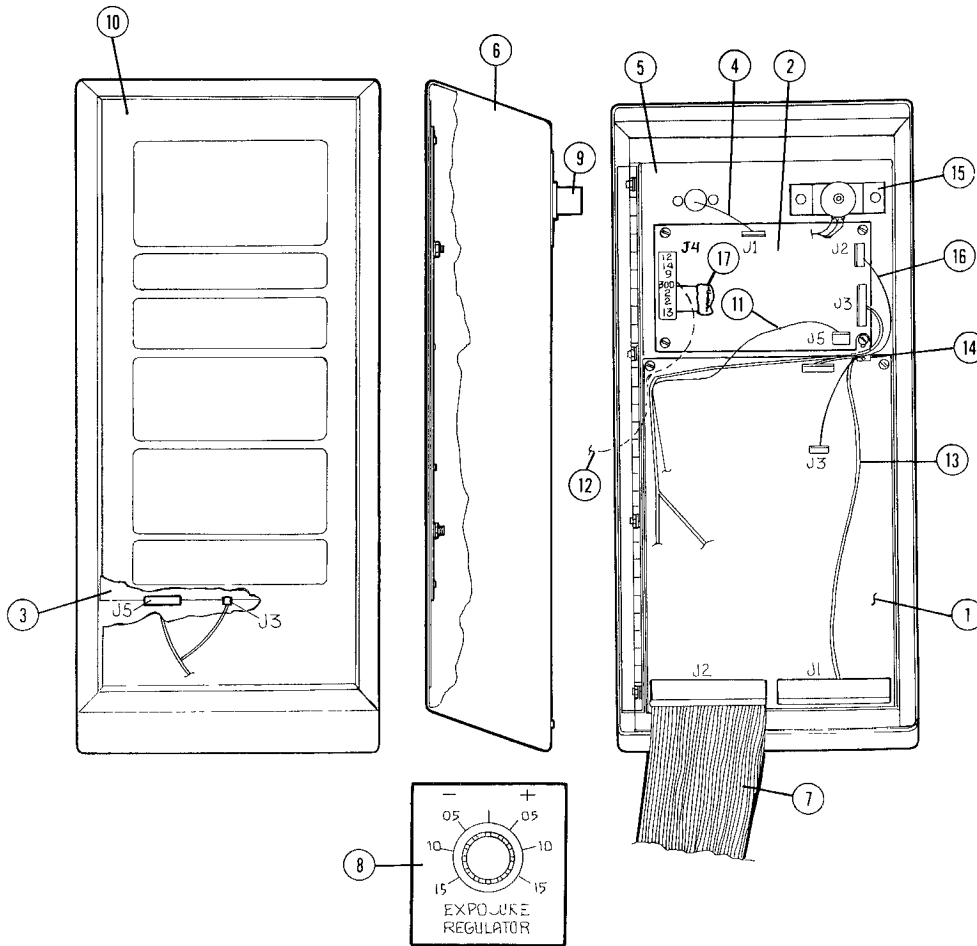
FILTER ADAPTOR PART NUMBER 19632301



- 1. H0275100 - Screw
- 2. 19629801 - Lens Ring Assembly
- 3. 19630701 - Spring
- 4. H0470100 - Screw

- 5. H0155000 - Washer
- 6. 19630101 - Filter Holder Assembly
- 7. 19478701 - Filter Cover
- 8. 19478801 - Filter Holder
- 9. 40151363 - Felt Tape (2 required)

430 EXPOSURE CONTROL

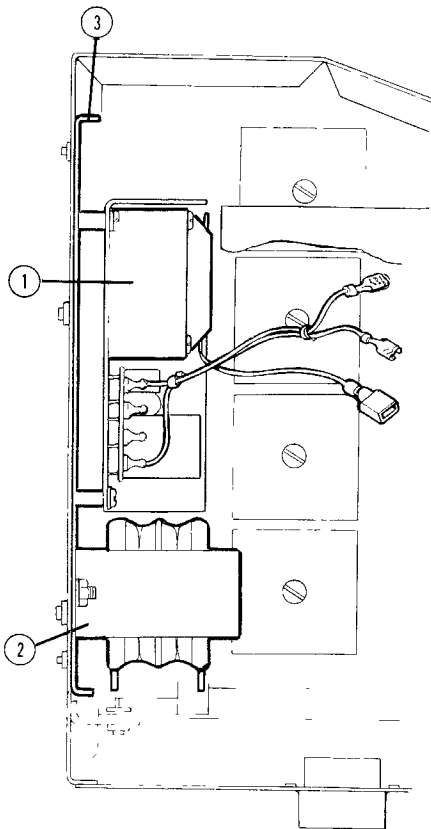


REF	DESCRIPTION	PART NO.	QTY.	REF	DESCRIPTION	PART NO.	QTY.
1	CPU Board Assy (with plug-in battery) *Programmed IC U-18 *Battery *Note: Use with CPU board 20179701 only	20179701 20266601 19710101		10	Membrane Switch Assy.	20229501	
1	CPU Board Assy (With U-20 battery bac- ked RAM) **Programmed IC U-18 **Battery Backed Ram U- 20 **Note: Use with CPU board 20453502 or 20453501 only.	20453502 20453601 40115502		11	DC Power Harness Assy.	20187601	
2	Interface PCB Assy	20506402		12	AC Distribution Harness Assy	20188601	
3	Display PCB Assy.	20208301		13	DC Distribution Harness Assy.	20188701	
4	Densitometer Interface Cable Assy	20187201		14	Clamp Base Ties	09779700 E0230700	
5	Back Cover Assy	20182201		15	Potentiometer Bracket Assy	20272201 20251201	
6	Display Housing Assy	20184801		16	Interface Cable Assy.	20187301	
7	Flat Cable Assy	20236201		17	Arc Suppressor Assy.	20156903	
8	Label	20252301		NS	Densitometer Cable Assy.	20052002	
				NS	Holster Assy	20252101	
				NS	Cover Plate	20181401	
				NS	Program Directory Card	20278401	
				NS	Programming Procedure Card	20278501	
				NS	Error Code Card	20278601	
				NS	Solid State Flash Relay	19704201	

Revised 10/87

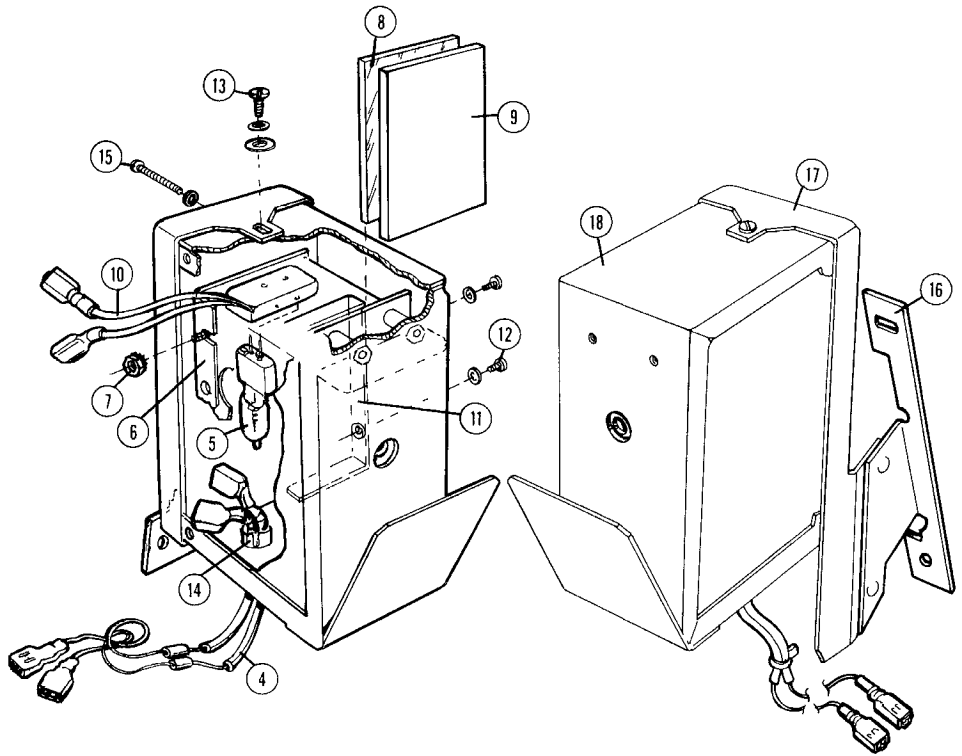
POWER SUPPLY ASSEMBLY

20179201



FLASH LAMP ASSEMBLY

20179301



REF	DESCRIPTION	PART NO.	QTY	REF.	DESCRIPTION	PART NO.	QTY
1	5 VDC Power Supply	19799602		9	Diffuser	20168001	
2	Flash Lamp Transformer	20051601		10	Flash Lamp Harness	20207901	
3	Power Supply Mounting Plate	20181601		11	Glass Retainer Assy.	19981301	
4	Flash Lamp Interconnect Harness Assy.	20189801		12	Screw Lock Washer	H0586100 H0156500	
5	Lamp	20031101		13	Screw Flat Washer Lock Washer	H0470400 H0156400 H0155000	
6	Reflector	20033701		14	Strain Relief	08740204	
7	Nut Washer	H0123800 H0147600		15	Screw Lock Washer Flat Washer	H0470400 H0156400 H0155000	
8	Attenuator	20269101		16	Mounting Bracket Washer Washer Nut	20280701 H0156300 H0155100 H0144200	
NOTE:				17	Rear Cover	20281001	
Ref. #8 - Attenuator	- Emulsion side positioned toward lamp			18	Flash Lamp Cover	20181801	
Ref #9 - Diffuser	- Opal coated side to be positioned away from lamp.			NS	Resistor Harness	20299901	
				NS	Power Supply AC Harness Assembly	20187401	

430/435 C/P ELECTRICAL COMPONENTS AND HARNESS PART NUMBERS

	430	435
2 AMP Fuse (SIO-BlO)	08700907	Same
Fuse Holder Assembly	07792605	Same
5 AMP Fuse for Vac. (Slo-BlO)	08700902	Same
Fuse Holder	07792604	Same
Circuit Breaker	19205201	Same

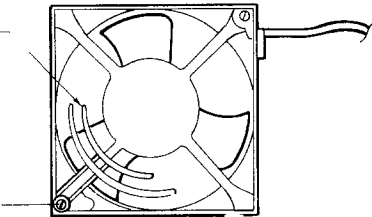
HARNESS ASSEMBLIES ONLY

	430 S/N 101-992	430 Above S/N 992	435 (ALL)
Main Control Harness	19289701	Same	19593101
Relay Board Harness Assy.	19292501	19314301	19557101
Lamp Harness	19291201	Same	Same
Sequencer Harness	*19292801	*Same	*Same
Main Harness	19292201	20472201	20472201
Transport Harness	19292401	20188501	20188501
Fan Harness	19291101	Same	Same
Optics Harness	19293001	19540801	19540801
Shutter Harness	19290701	Same	Same
Knife Motor Harness	19292601	Same	19618801
Ballast Box Harness	19249201	19290001	Same
Aux. Control Box Harness	19291901	Same	Same
Copyboard Harness 60Hz	19290601	Same	Same
Copyboard Harness 50Hz	19289901	Same	Same
Processor Harness	19315601	20188901	20188901
Fixer Harness	None	None	20189601
Lamp Relay Harness	19292701	Same	Same
Dryer Limit Harness	None	19634801	19634801

*New Sequencer Harness for A-4 Time Delay (Transport Delay) P/N 20472301

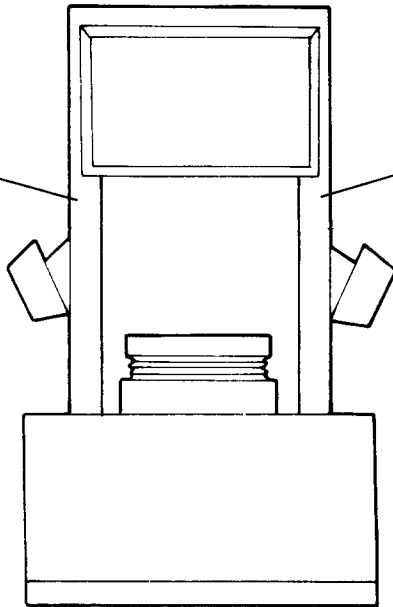
GUARD
19817501

H-4620
H-1441
H-1564



NOTICE: THIS CONTAINS CONFIDENTIAL, PROPRIETARY AND NON PUBLIC INFORMATION OF Itek GRAPHIX CORP. DUPLICATION OR REPRODUCTION IN WHOLE OR IN PART OR DISCLOSURE HEREOF TO UNAUTHORIZED PERSONS WITHOUT THE PRIOR WRITTEN CONSENT OF Itek GRAPHIX CORP. GRAPHIC SYSTEMS DIVISION IS PROHIBITED

192522-002
Rear Side Cover



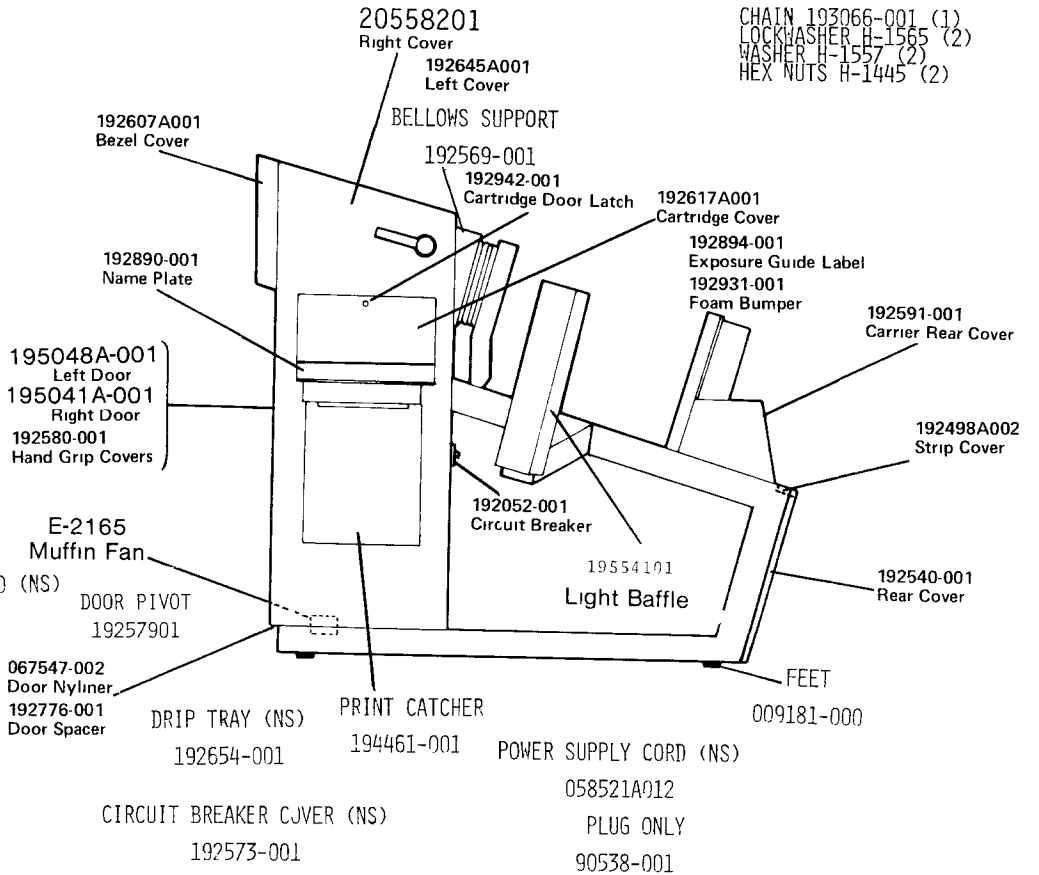
192523-002
OP Side Cover

NEW DOORS
R 196420A001
L 196421A001

VAPOR SHIELD LIGHT GUARD (NS)
195046-001

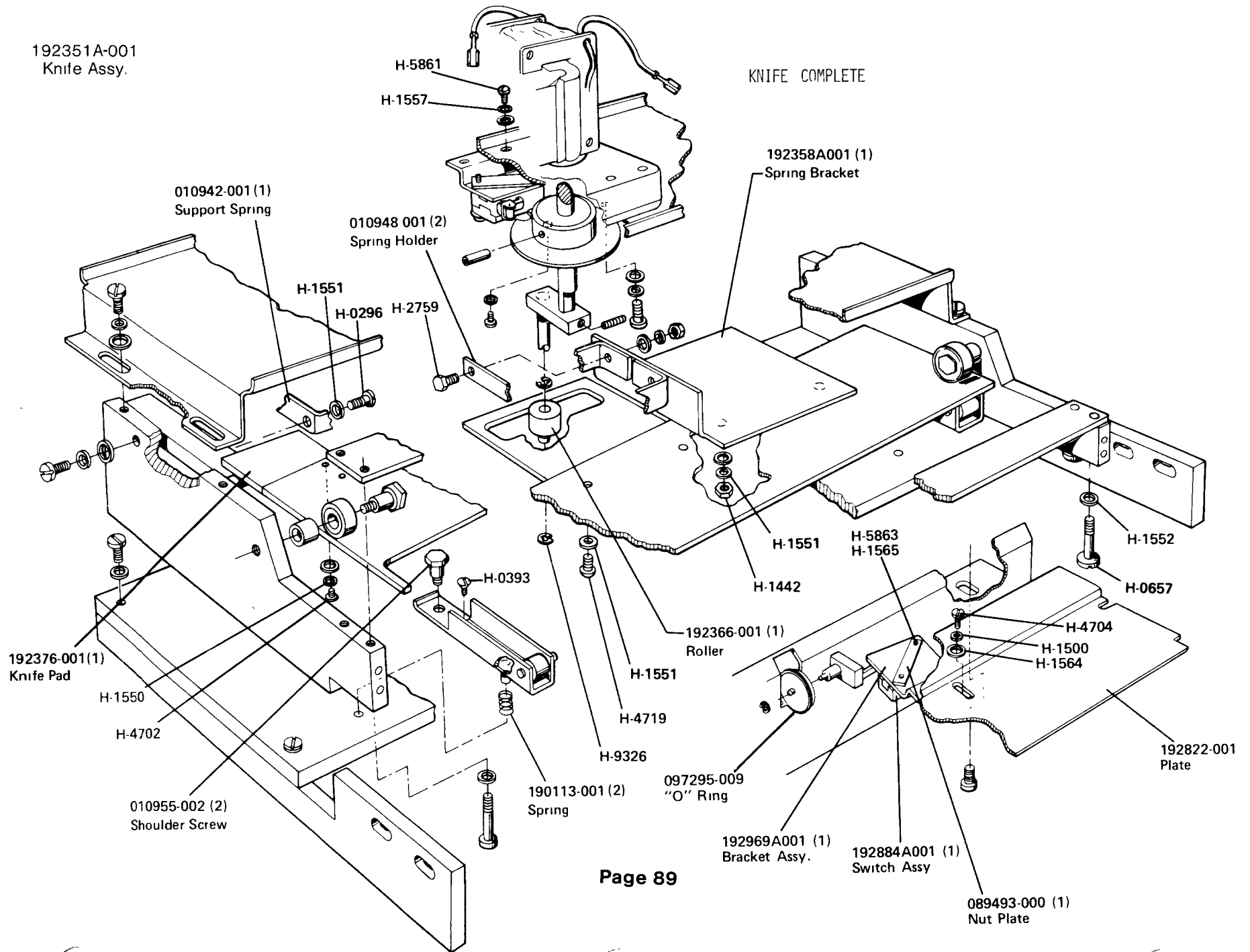
NEW STYLE LATCH (NS)

COVER ASS'Y 196646-001
SLIDE LATCH 196643-001
CLIP ASS'Y 196642-001
WASHER PLATE 196640-001
WASHER (2) H-1550
NUT (2) H-1441

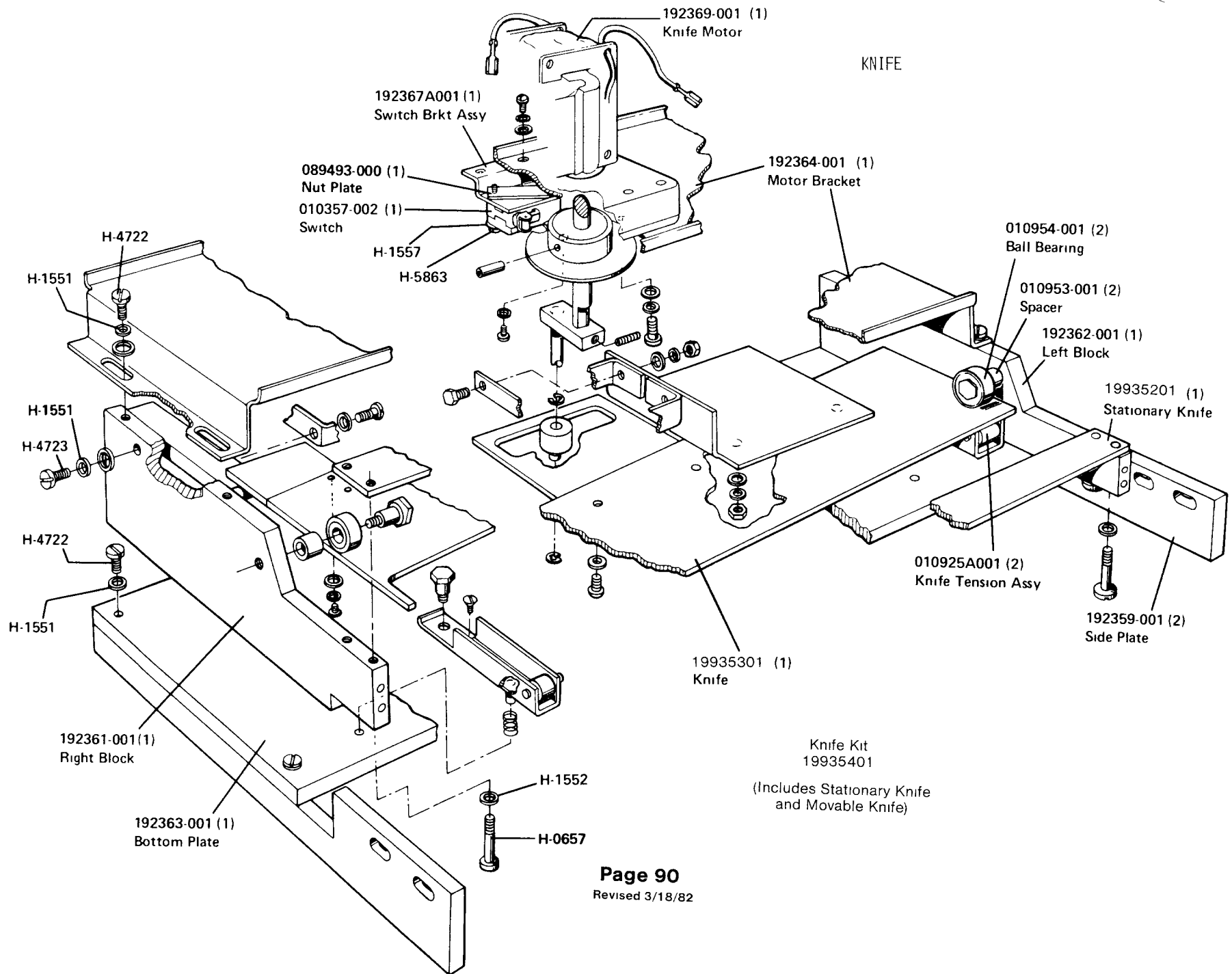


192351A-001
Knife Assy.

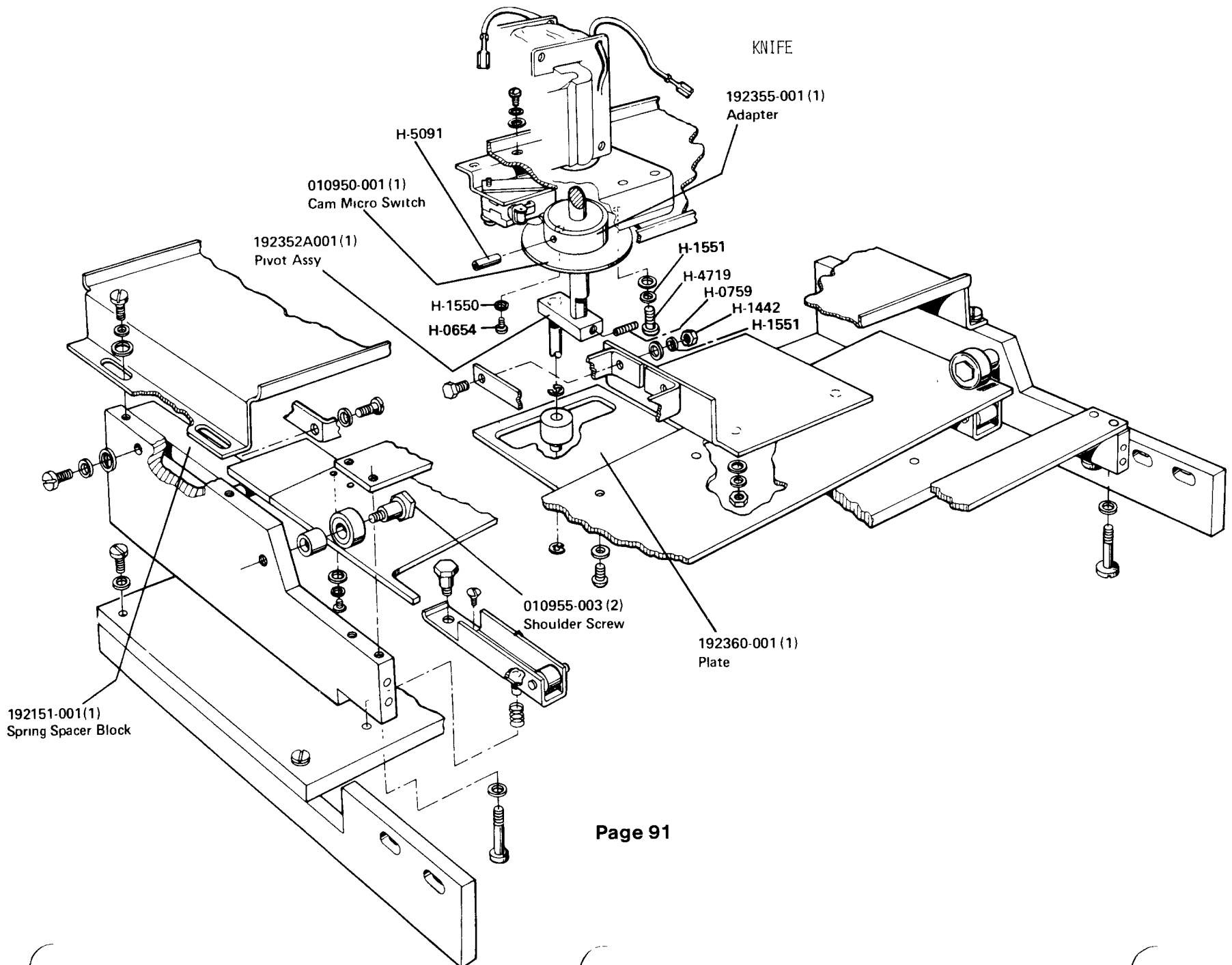
NOTICE: THIS CONTAINS CONFIDENTIAL, PROPRIETARY AND NON PUBLIC INFORMATION OF ITEX GRAPHIX CORP. DUPLICATION OR REPRODUCTION IN WHOLE OR IN PART OR DISCLOSURE HEREOF TO UNAUTHORIZED PERSONS WITHOUT THE PRIOR WRITTEN CONSENT OF ITEX GRAPHIX CORP. GRAPHIC SYSTEMS DIVISION IS PROHIBITED



NOTICE: THIS CONTAINS CONFIDENTIAL, PROPRIETARY AND NON-PUBLIC INFORMATION OF ITEX GRAPHIX CORP. DUPLICATION OR REPRODUCTION IN WHOLE OR IN PART, OR DISCLOSURE HEREOF TO UNAUTHORIZED PERSONS WITHOUT THE PRIOR WRITTEN CONSENT OF ITEX GRAPHIX CORP. GRAPHIX SYSTEMS DIVISION IS PROHIBITED.

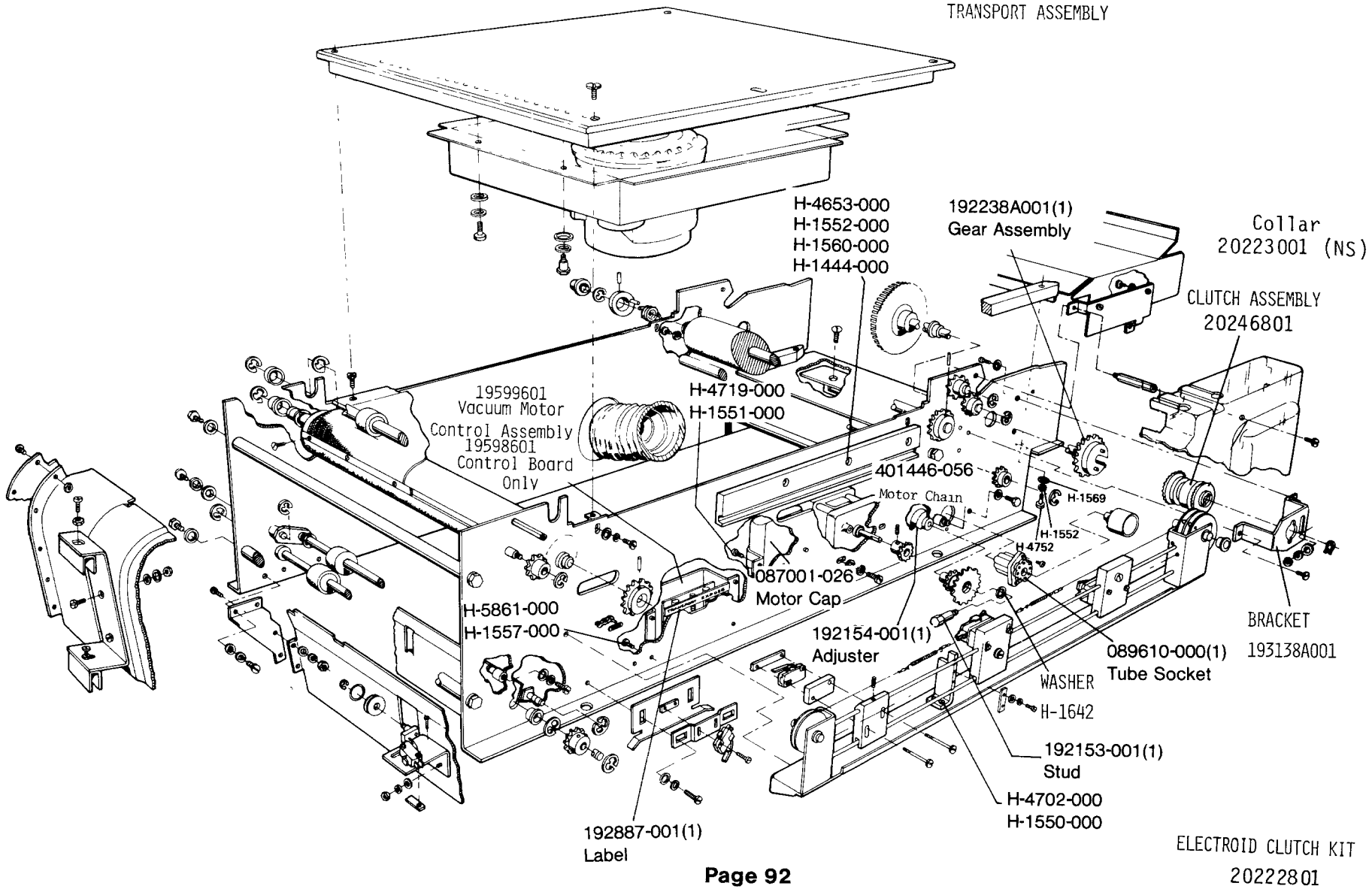


NOTICE: THIS CONTAINS CONFIDENTIAL, PROPRIETARY AND NON PUBLIC INFORMATION OF ITTEK GRAPHIX CORP. DUPLICATION OR REPRODUCTION IN WHOLE OR IN PART OR DISCLOSURE HEREOF TO UNAUTHORIZED PERSONS WITHOUT THE PRIOR WRITTEN CONSENT OF ITTEK GRAPHIX CORP. GRAPHIC SYSTEMS DIVISION IS PROHIBITED.



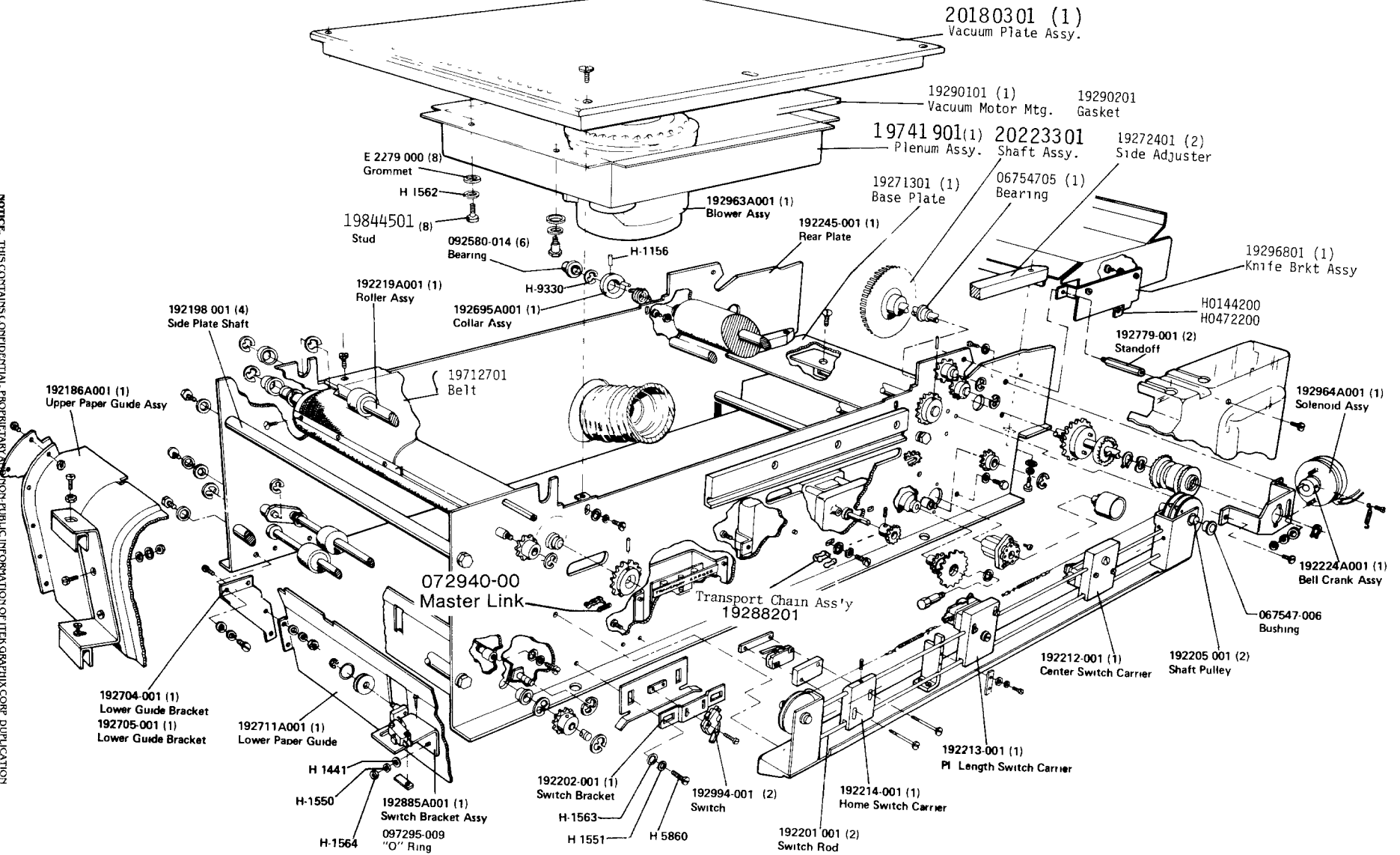
TRANSPORT ASSEMBLY

NOTICE: THIS CONTAINS CONFIDENTIAL, PROPRIETARY AND NON-PUBLIC INFORMATION OF TDK GRAPHIX CORP. DUPLICATION OR REPRODUCTION (IN WHOLE OR IN PART) OR DISCLOSURE HEREOF TO UNAUTHORIZED PERSONS WITHOUT THE PRIOR WRITTEN CONSENT OF TDK GRAPHIX CORP. GRAPHIC SYSTEMS DIVISION IS PROHIBITED



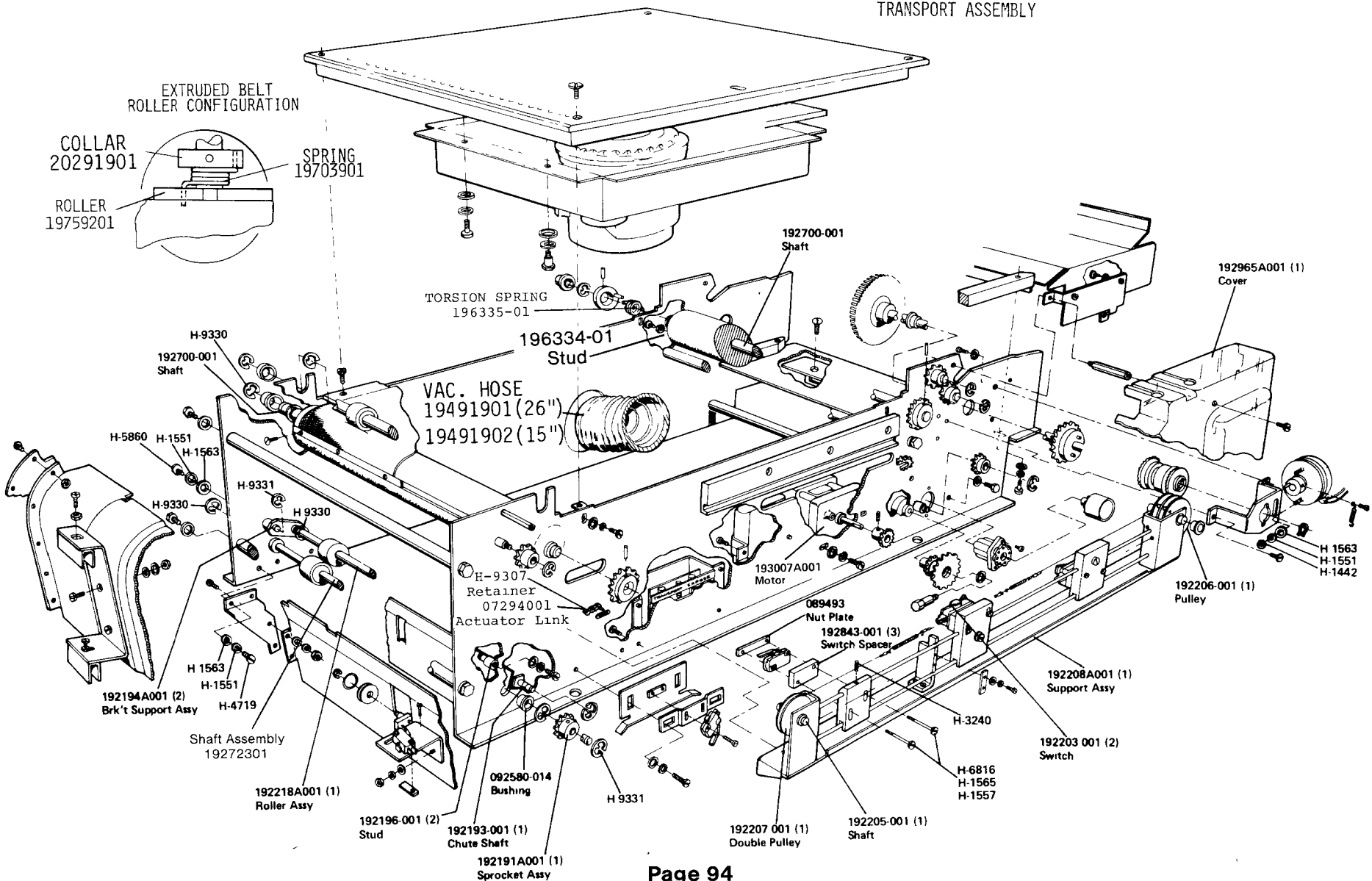
TRANSPORT ASSEMBLY

NOTICE: THIS CONTAINS CONFIDENTIAL, PROPRIETARY AND NON-PUBLIC INFORMATION OF ITEX GRAPHIX CORP. DUPLICATION OR REPRODUCTION (IN WHOLE OR IN PART) OR DISCLOSURE HEREOF TO UNAUTHORIZED PERSONS WITHOUT THE PRIOR WRITTEN CONSENT OF ITEX GRAPHIX CORP. GRAPHIX SYSTEMS DIVISION IS PROHIBITED

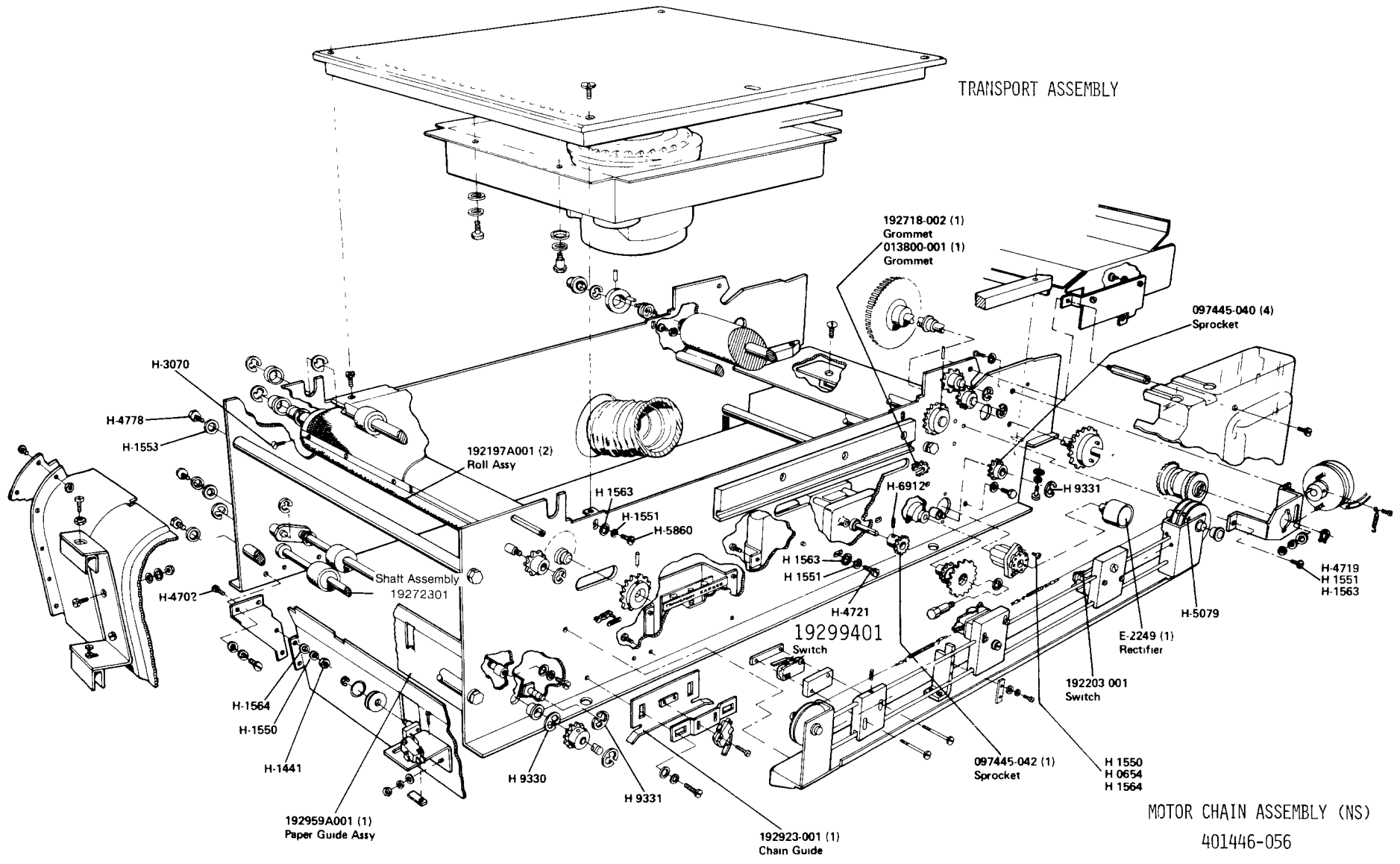


TRANSPORT ASSEMBLY

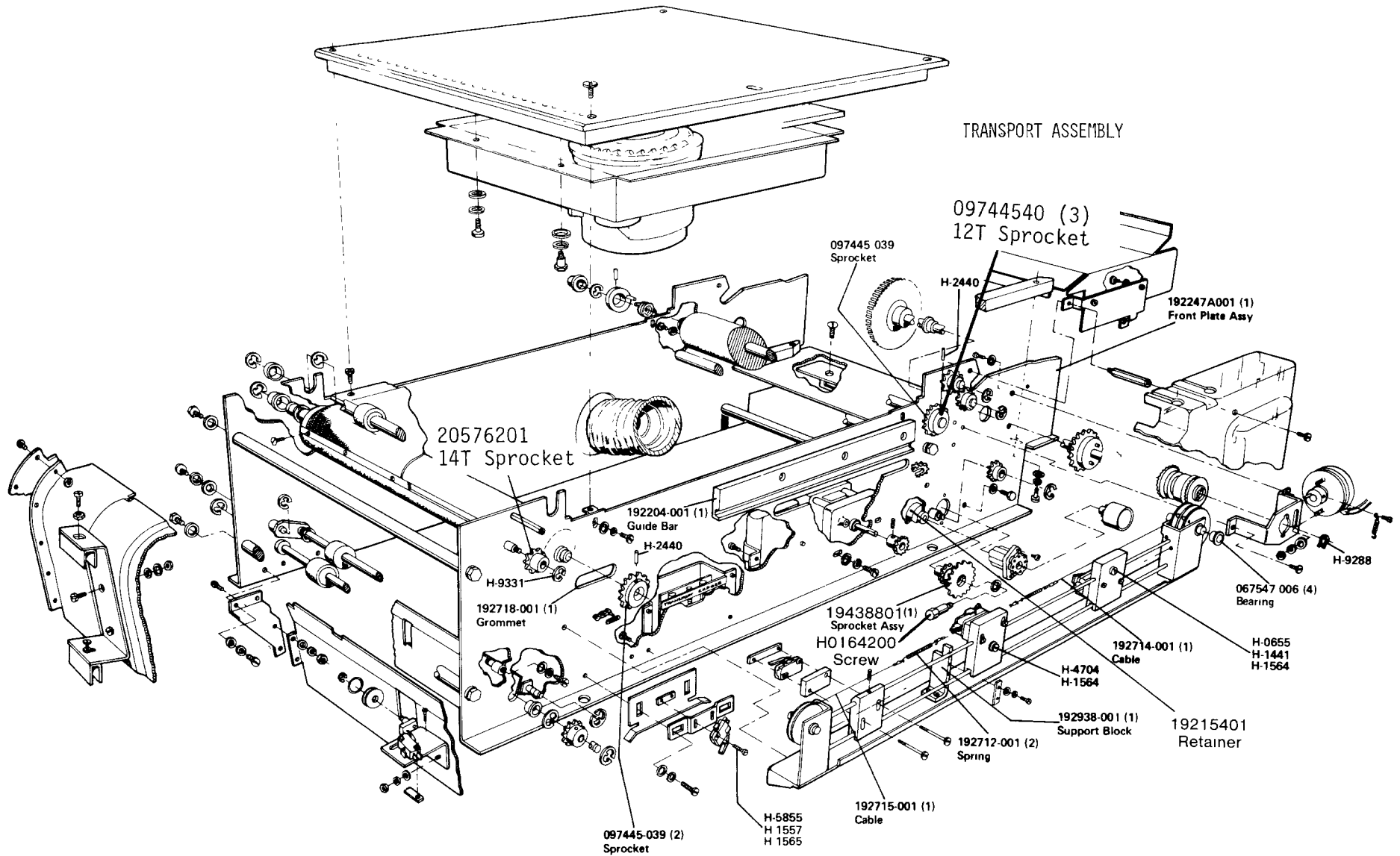
NOTICE: THIS CONTAINS CONFIDENTIAL, PROPRIETARY AND NON PUBLIC INFORMATION OF ITR GRAPHIX CORP. DUPLICATION OR REPRODUCTION IN WHOLE OR IN PART OR DISCLOSURE THEREOF TO UNAUTHORIZED PERSONS WITHOUT THE PRIOR WRITTEN CONSENT OF ITR GRAPHIX CORP. GRAPHIC SYSTEMS DIVISION IS PROHIBITED.



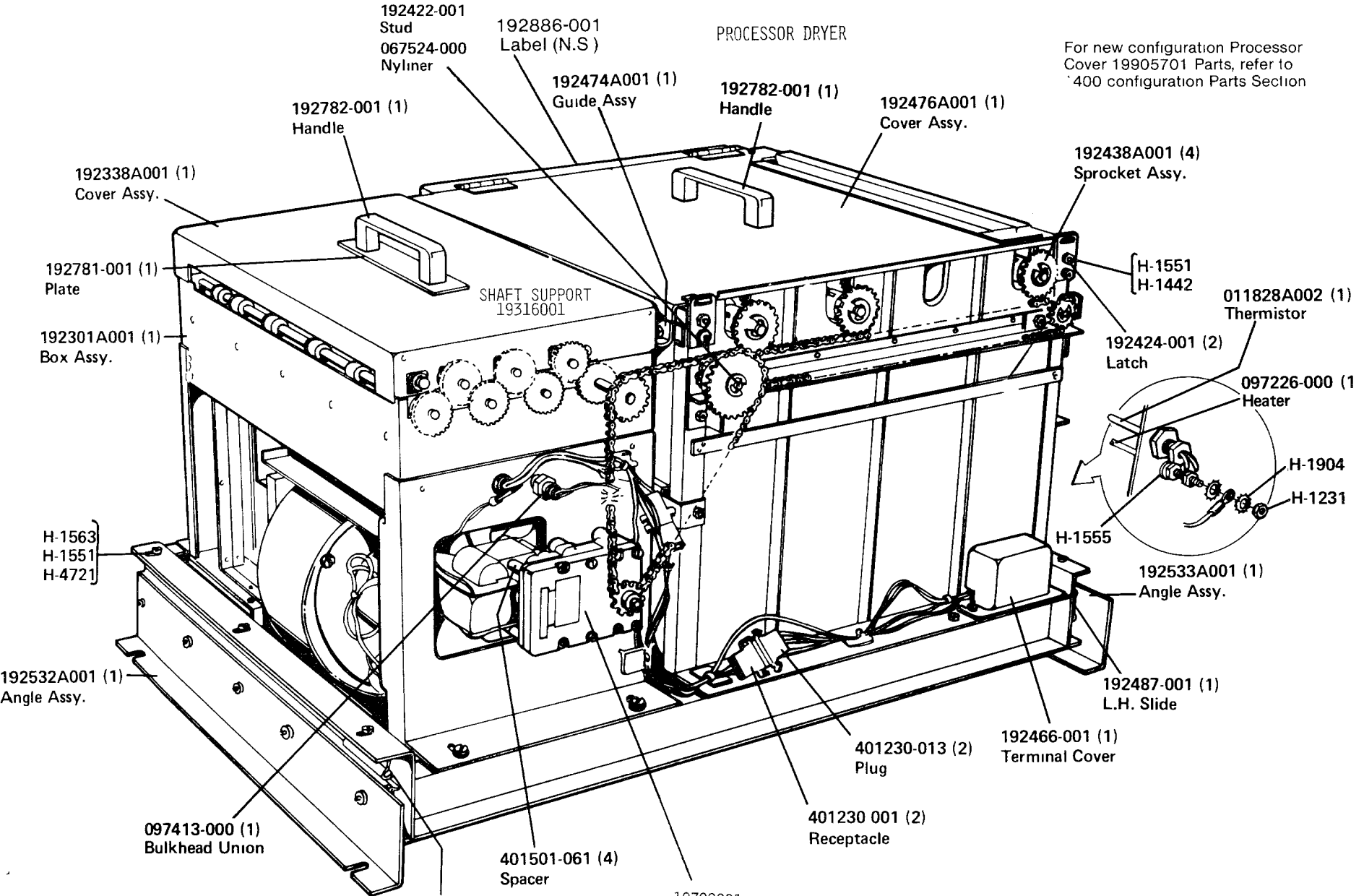
NOTICE: THIS CONTAINS CONFIDENTIAL, PROPRIETARY AND NON PUBLIC INFORMATION OF ITEX GRAPHIX CORP. DUPLICATION OR REPRODUCTION IN WHOLE OR IN PART OR DISCLOSURE HEREOF TO UNAUTHORIZED PERSONS WITHOUT THE PRIOR WRITTEN CONSENT OF ITEX GRAPHIX CORP. GRAPHIC SYSTEMS DIVISION IS PROHIBITED.



NOTICE: THIS CONTAINS CONFIDENTIAL, PROPRIETARY AND NON-PUBLIC INFORMATION OF TTEK GRAPHIX CORP. DUPLICATION OR REPRODUCTION IN WHOLE OR IN PART OR DISCLOSURE HEREOF TO UNAUTHORIZED PERSONS WITHOUT THE PRIOR WRITTEN CONSENT OF TTEK GRAPHIX CORP. GRAPHIX SYSTEMS DIVISION IS PROHIBITED



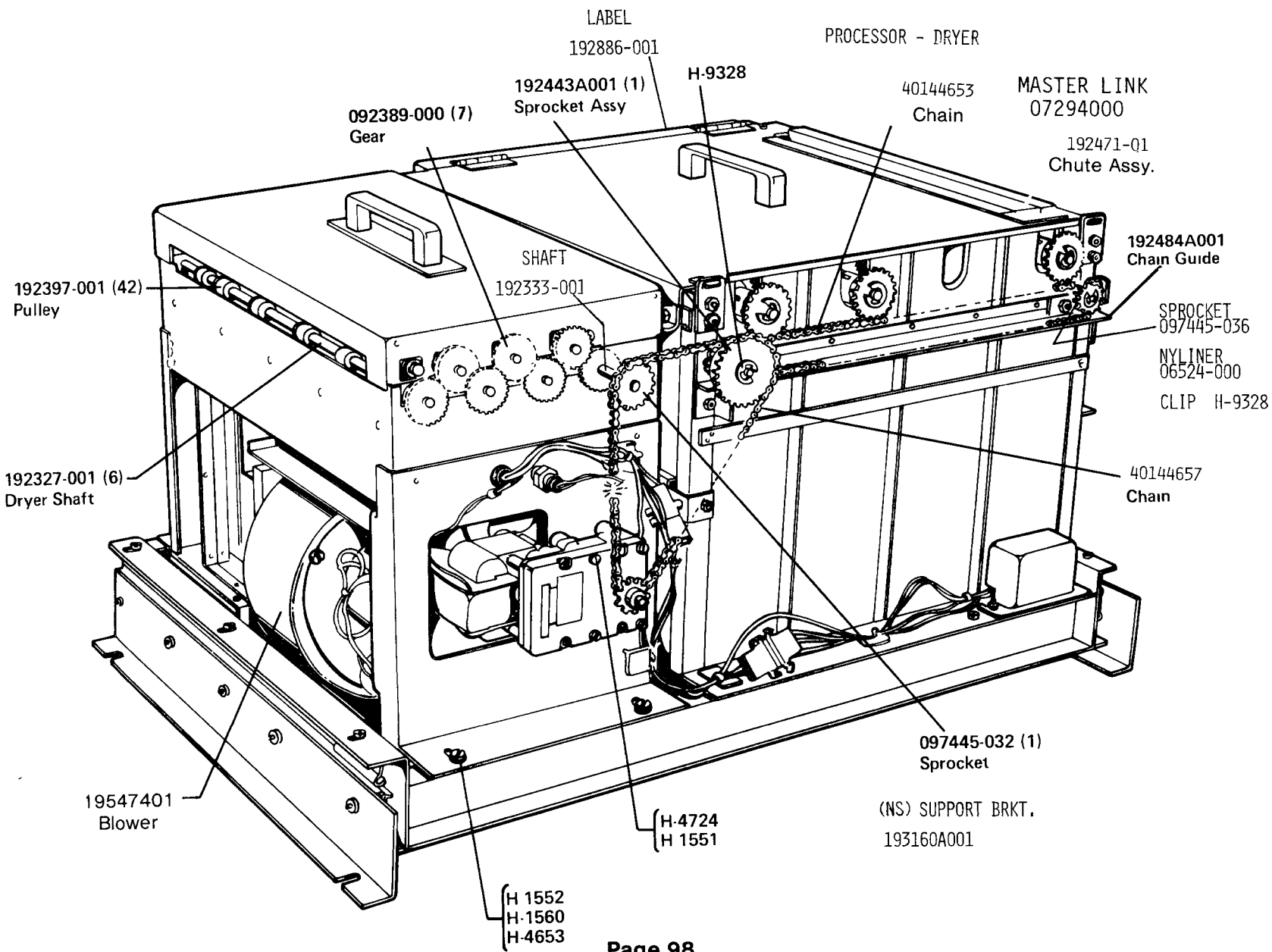
NOTICE: THIS CONTAINS CONFIDENTIAL, PROPRIETARY AND NON PUBLIC INFORMATION OF TEK GRAPHIX CORP. DUPLICATION OR REPRODUCTION IN WHOLE OR IN PART, OR DISCLOSURE HEREOF TO UNAUTHORIZED PERSONS WITHOUT THE PRIOR WRITTEN CONSENT OF TEK GRAPHIX CORP. GRAPHIX SYSTEMS DIVISION IS PROHIBITED.



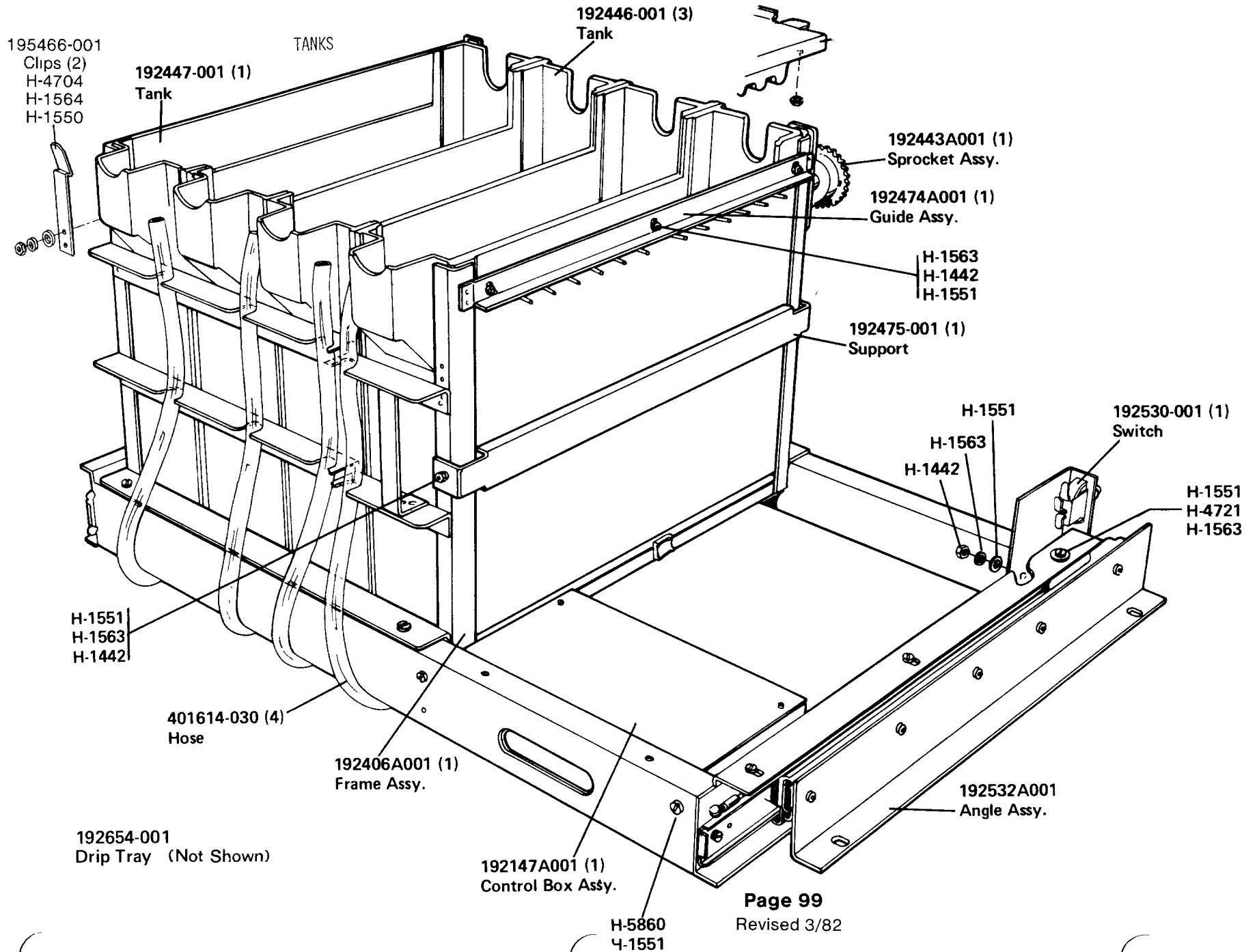
For new configuration Processor Cover 19905701 Parts, refer to '400 configuration Parts Section

(Motor ONLY) -50HZ/60HZ
 97445-038 Gear (50HZ.) 97445-037 Gear (60HZ.) US \

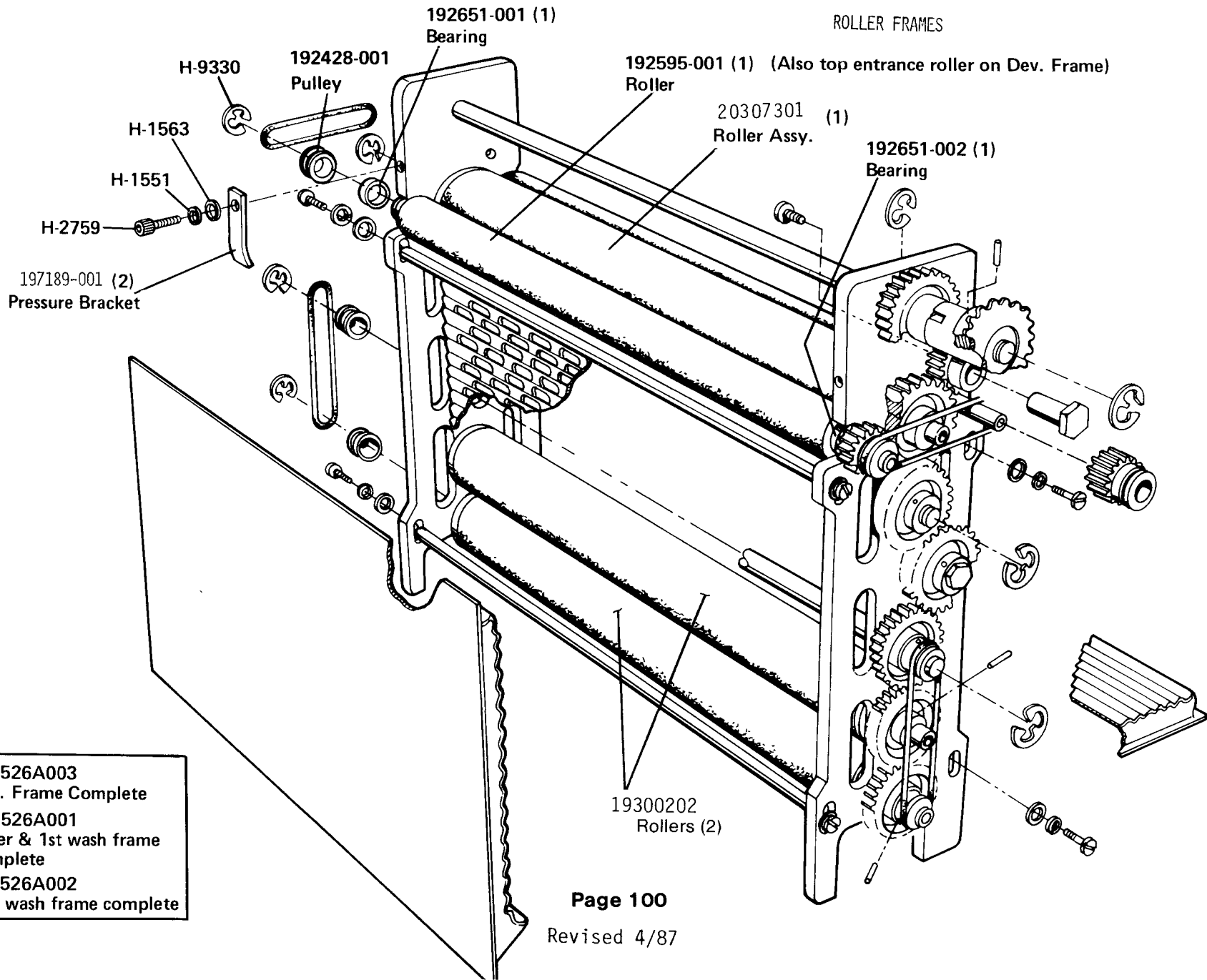
NOTICE: THIS CONTAINS CONFIDENTIAL, PROPRIETARY AND NON-PUBLIC INFORMATION OF ITEX GRAPHIX CORP. DUPLICATION OR REPRODUCTION IN WHOLE OR IN PART, OR DISCLOSURE HEREOF TO UNAUTHORIZED PERSONS WITHOUT THE PRIOR WRITTEN CONSENT OF ITEX GRAPHIX CORP. GRAPHIC SYSTEMS DIVISION IS PROHIBITED.



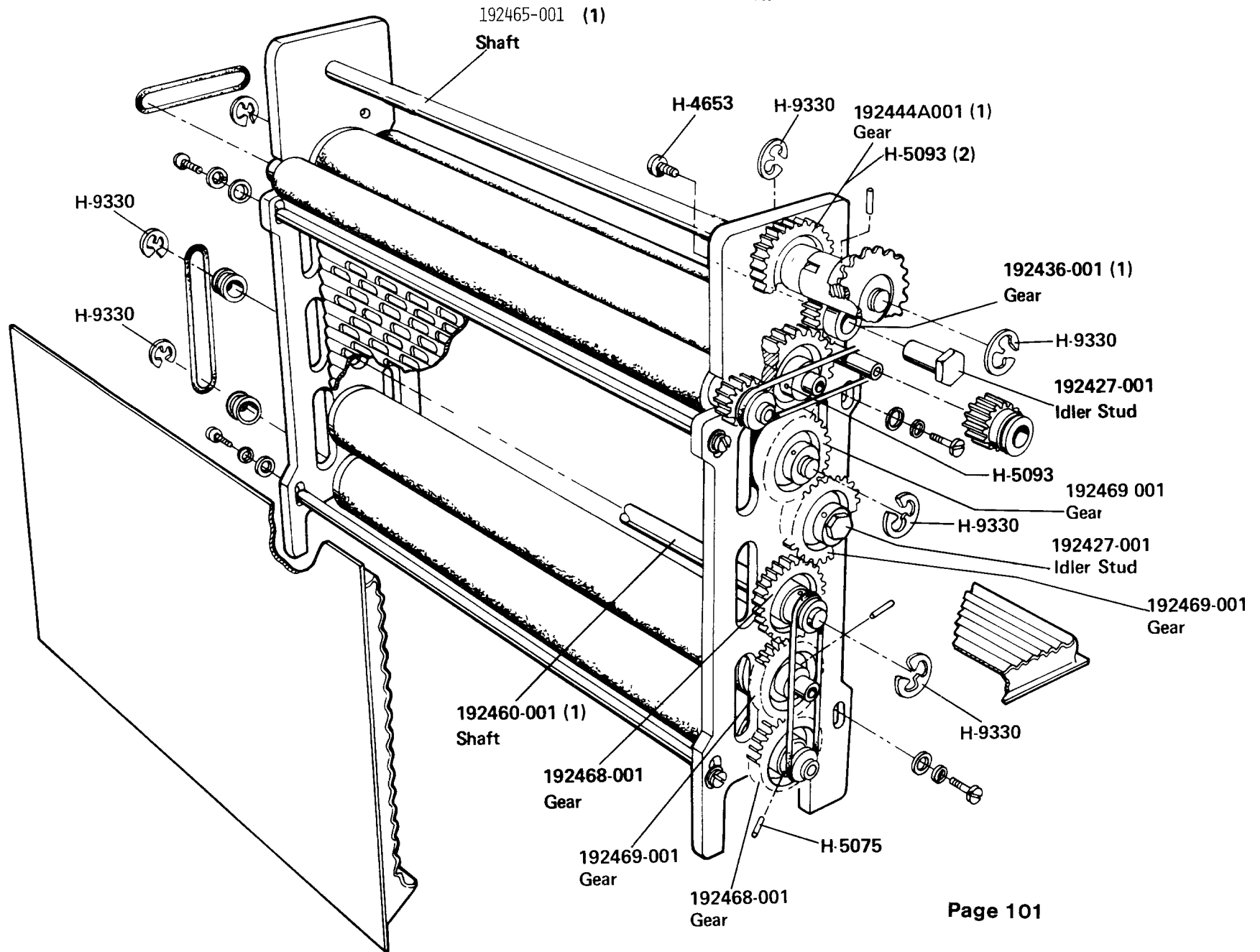
NOTICE: THIS CONTAINS CONFIDENTIAL, PROPRIETARY AND NON-PUBLISHED INFORMATION OF ITEX GRAPHIX CORP. DUPLICATION OR REPRODUCTION IN WHOLE OR IN PART OR DISCLOSURE HEREOF TO UNAUTHORIZED PERSONS WITHOUT THE PRIOR WRITTEN CONSENT OF ITEX GRAPHIX CORP. GRAPHIC SYSTEMS DIVISION IS PROHIBITED.



NOTICE: THIS CONTAINS CONFIDENTIAL, PROPRIETARY AND NON-PUBLIC INFORMATION OF TEK GRAPHIX CORP. DUPLICATION OR REPRODUCTION IN WHOLE OR IN PART OR DISCLOSURE HEREOF TO UNAUTHORIZED PERSONS WITHOUT THE PRIOR WRITTEN CONSENT OF TEK GRAPHIX CORP. GRAPHIC SYSTEMS DIVISION IS PROHIBITED

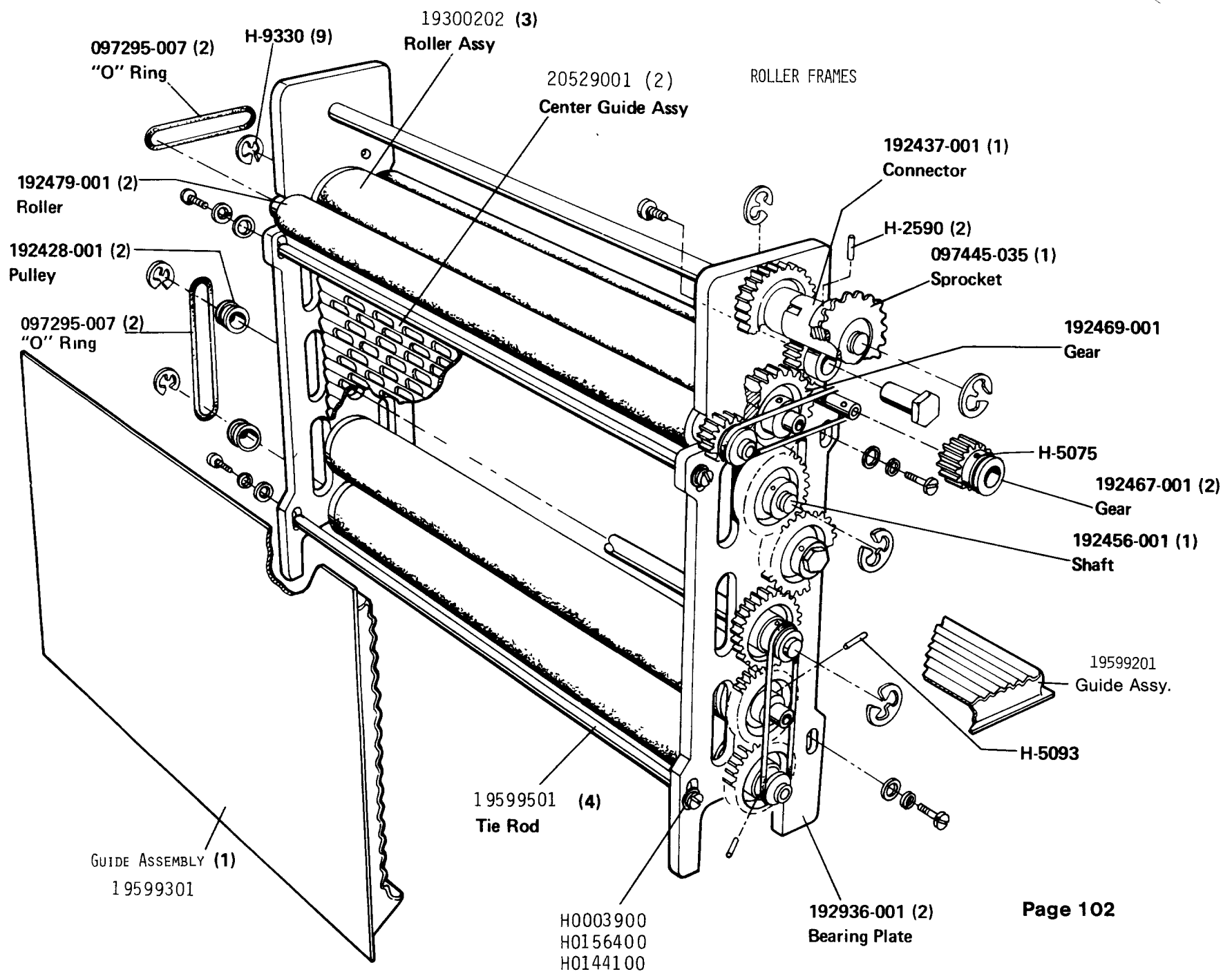


ROLLER FRAMES

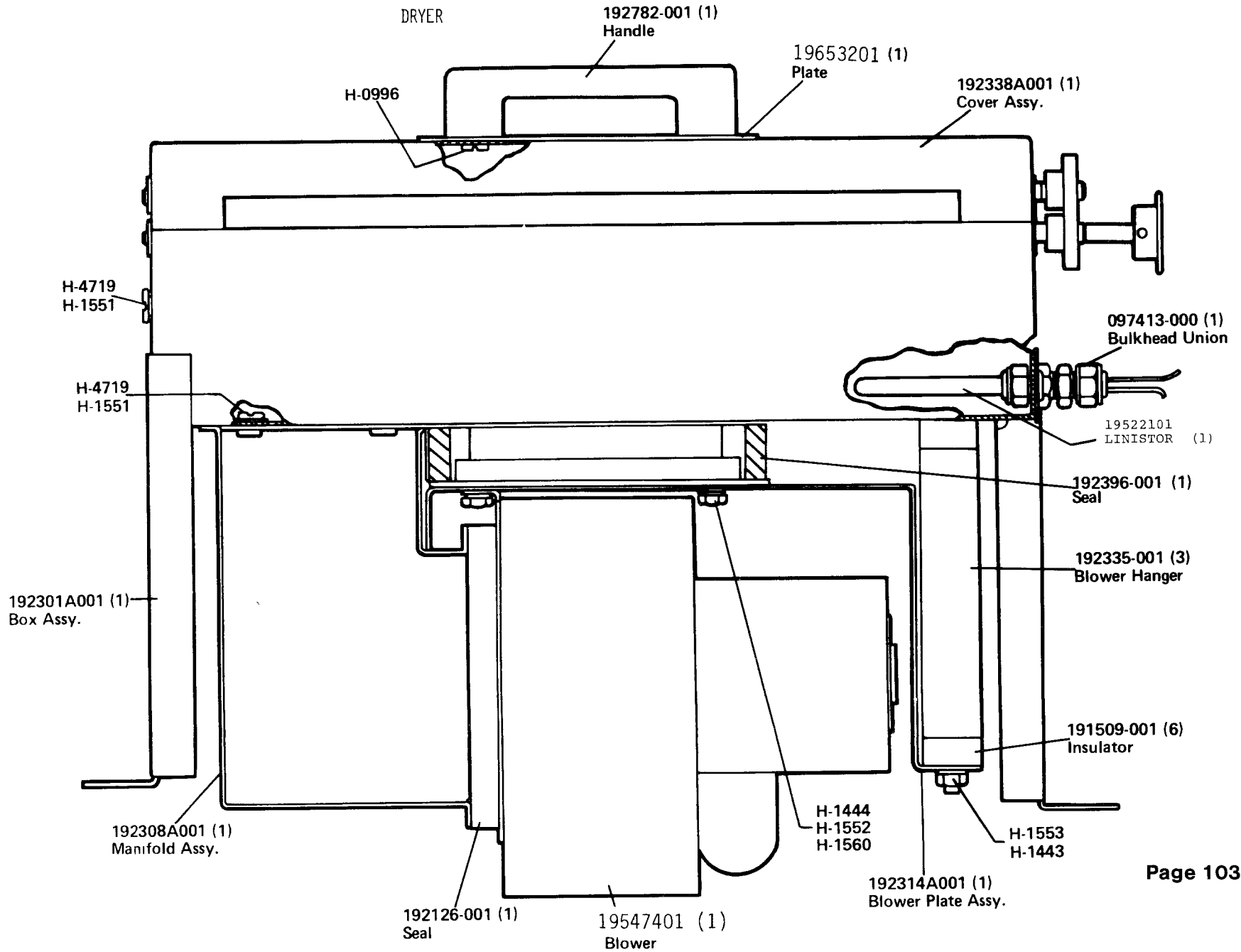


NOTICE: THIS CONTAINS CONFIDENTIAL, PROPRIETARY AND NON PUBLIC INFORMATION OF ITEX GRAPHIX CORP. DUPLICATION OR REPRODUCTION (IN WHOLE OR IN PART) OR DISCLOSURE HEREOF TO UNAUTHORIZED PERSONS WITHOUT THE PRIOR WRITTEN CONSENT OF ITEX GRAPHIX CORP. GRAPHIC SYSTEMS DIVISION IS PROHIBITED.

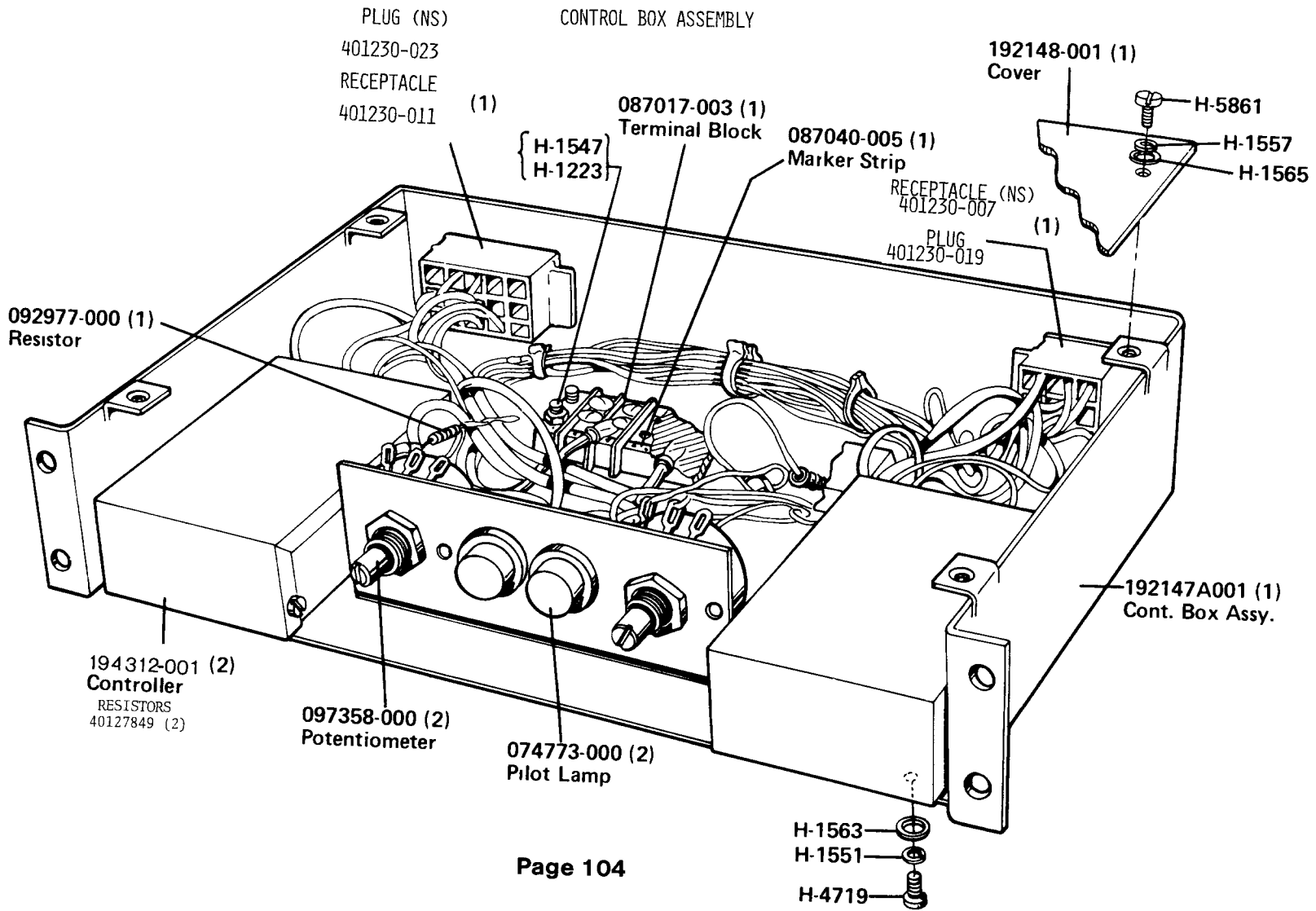
NOTICE: THIS CONTAINS CONFIDENTIAL, PROPRIETARY AND NON-PUBLIC INFORMATION OF ITEX GRAPHIX CORP. DUPLICATION OR REPRODUCTION IN WHOLE OR IN PART OR DISCLOSURE HEREOF TO UNAUTHORIZED PERSONS WITHOUT THE PRIOR WRITTEN CONSENT OF ITEX GRAPHIX CORP. GRAPHIC SYSTEMS DIVISION IS PROHIBITED.



NOTICE: THIS CONTAINS CONFIDENTIAL, PROPRIETARY AND NON PUBLIC INFORMATION OF ITEK GRAPHIX CORP. DUPLICATION OR REPRODUCTION (IN WHOLE OR IN PART) OR DISCLOSURE HEREOF TO UNAUTHORIZED PERSONS WITHOUT THE PRIOR WRITTEN CONSENT OF ITEK GRAPHIX CORP. GRAPHIC SYSTEMS DIVISION IS PROHIBITED.

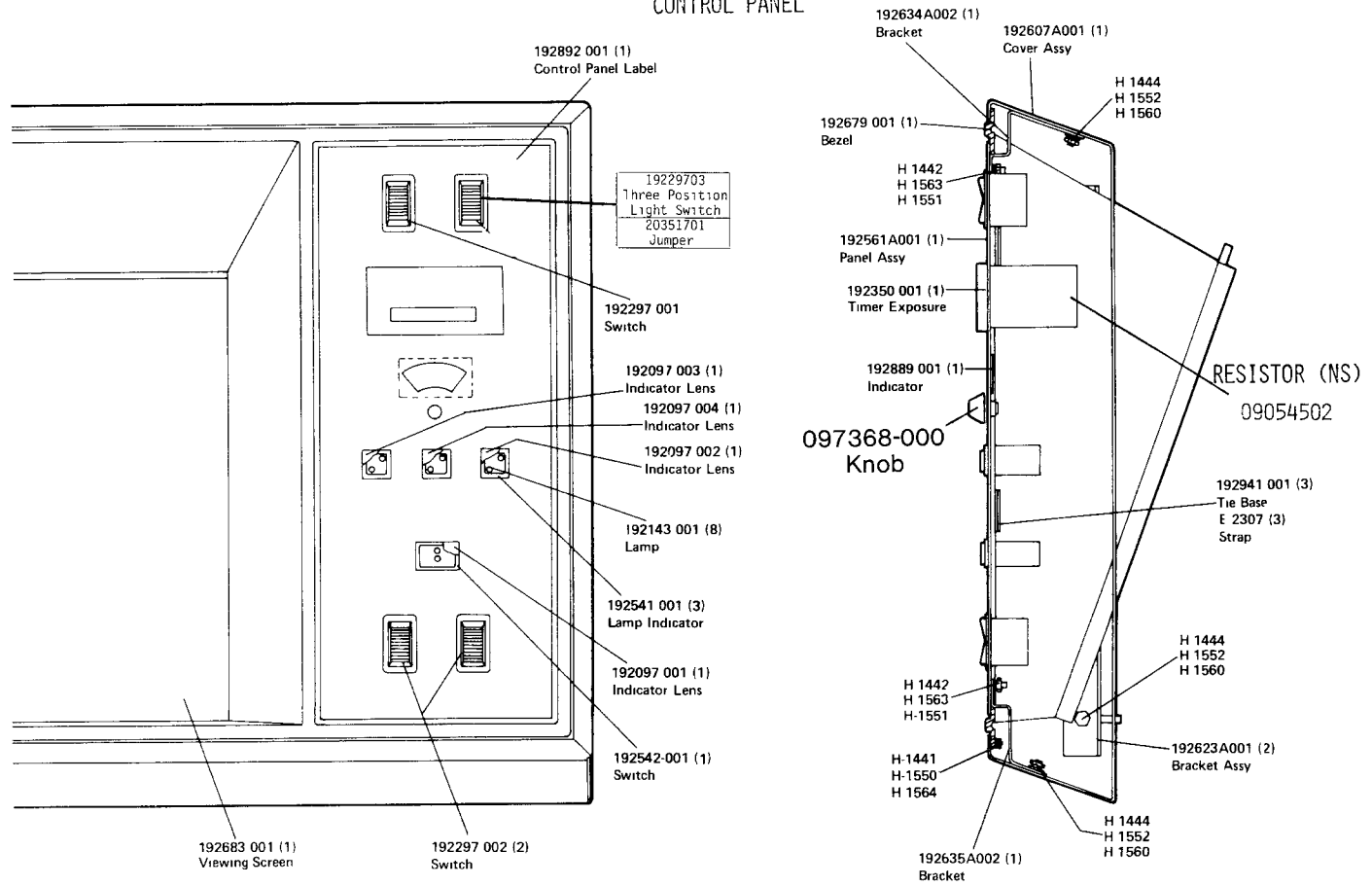


NOTICE: THIS CONTAINS CONFIDENTIAL, PROPRIETARY AND NON-PUBLIC INFORMATION OF ITEN GRAPHIX CORP. DUPLICATION OR REPRODUCTION IN WHOLE OR IN PART OR DISCLOSURE HEREOF TO UNAUTHORIZED PERSONS WITHOUT THE PRIOR WRITTEN CONSENT OF ITEN GRAPHIX CORP. GRAPHIC SYSTEMS DIVISION IS PROHIBITED



NOTICE: THIS CONTAINS CONFIDENTIAL, PROPRIETARY AND NON PUBLIC INFORMATION OF Itek GRAPHIX CORP. DUPLICATION OR REPRODUCTION IN WHOLE OR IN PART OR DISCLOSURE HEREOF TO UNAUTHORIZED PERSONS WITHOUT THE PRIOR WRITTEN CONSENT OF Itek GRAPHIX CORP. GRAPHIC SYSTEMS DIVISION IS PROHIBITED.

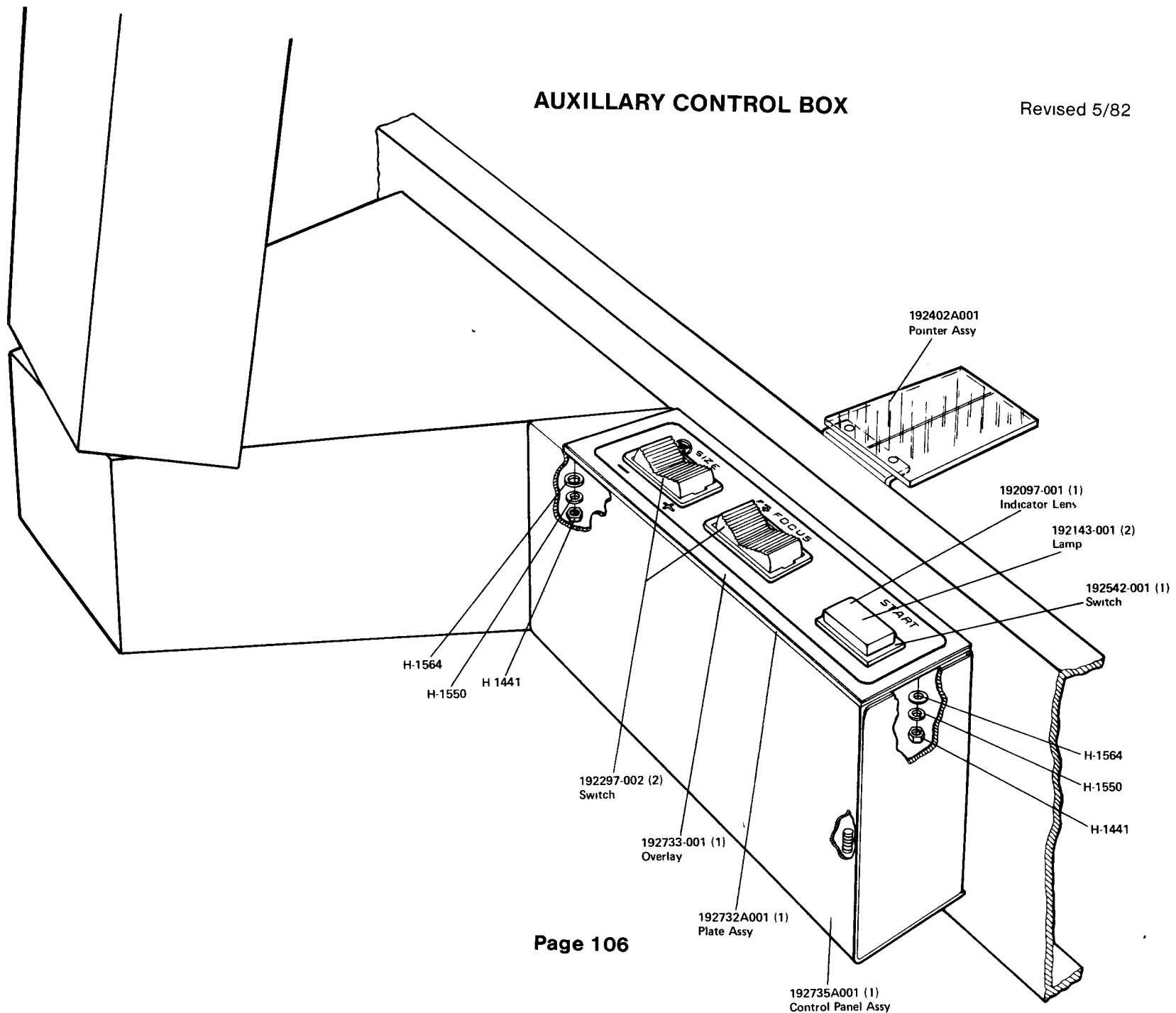
CONTROL PANEL



192897A001 (1)
Harness Assy NS

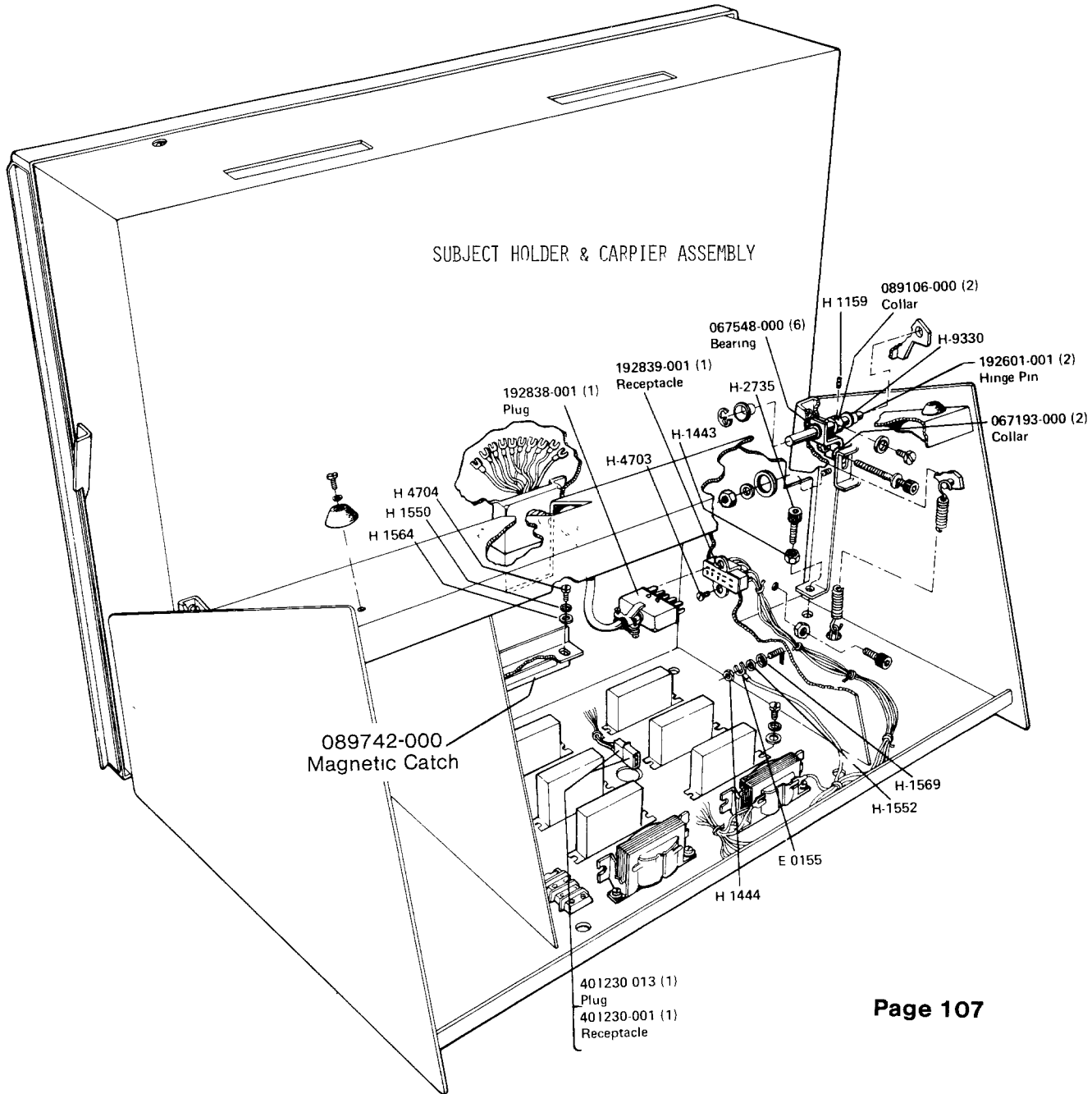
AUXILLARY CONTROL BOX

Revised 5/82



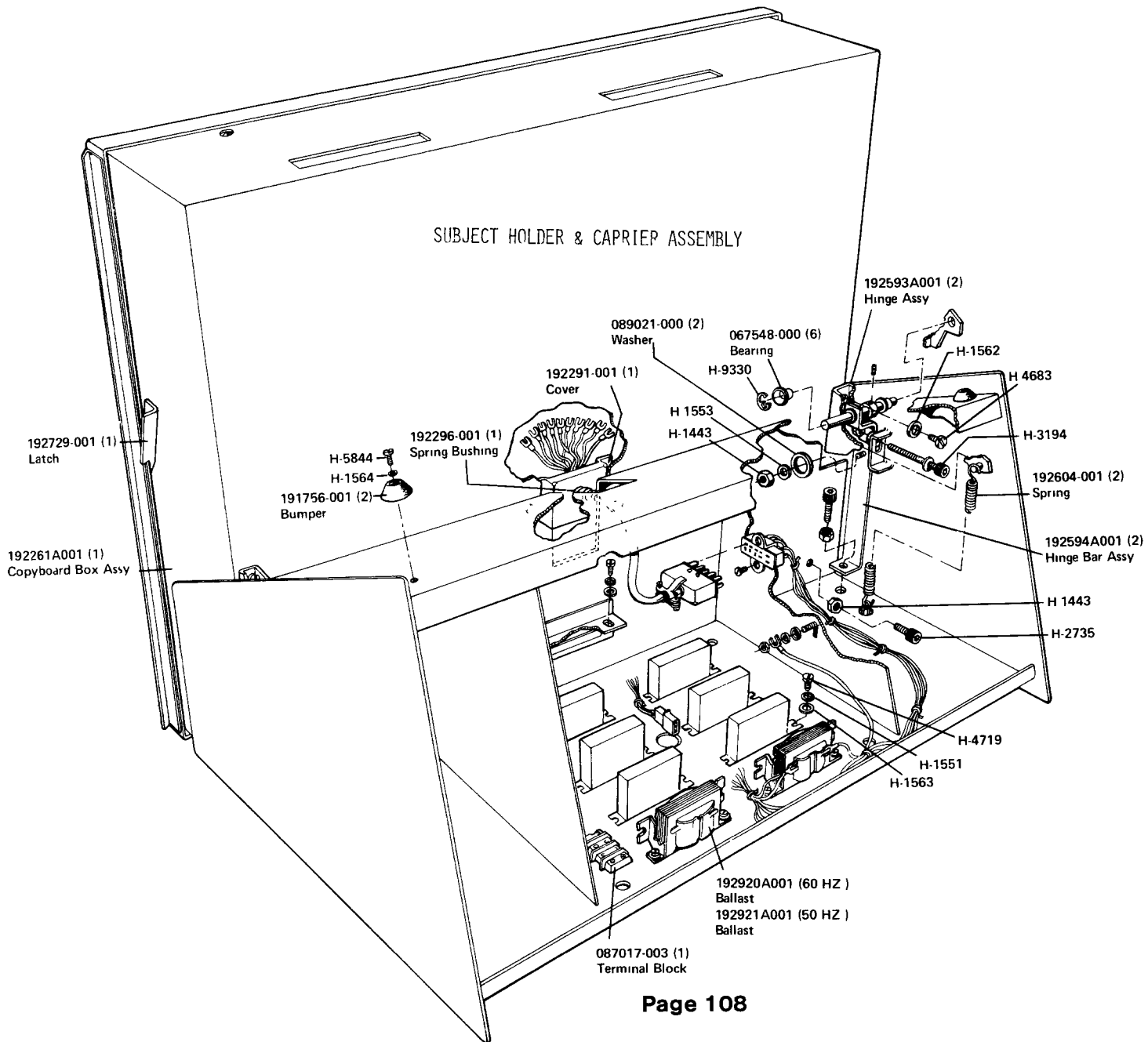
NOTICE: THIS CONTAINS CONFIDENTIAL, PROPRIETARY AND NON-PUBLIC INFORMATION OF TER GRAPHIC CORP. DUPLICATION OR REPRODUCTION IN WHOLE OR IN PART OR DISCLOSURE HEREOF TO UNAUTHORIZED PERSONS WITHOUT THE PRIOR WRITTEN CONSENT OF TER GRAPHIC CORP. GRAPHIC SYSTEMS DIVISION IS PROHIBITED.

SUBJECT HOLDER & CARRIER ASSEMBLY



NOTICE: THIS CONTAINS CONFIDENTIAL, PROPRIETARY AND NON PUBLIC INFORMATION OF TEK GRAPHIX CORP. DUPLICATION OR REPRODUCTION IN WHOLE OR IN PART OR DISCLOSURE HEREOF TO UNAUTHORIZED PERSONS WITHOUT THE PRIOR WRITTEN CONSENT OF TEK GRAPHIX CORP. GRAPHIX SYSTEMS DIVISION IS PROHIBITED

SUBJECT HOLDER & CAPRIEP ASSEMBLY



NOTICE - THIS CONTAINS CONFIDENTIAL, PROPRIETARY AND NON PUBLIC INFORMATION OF ITEX GRAPHIX CORP. DUPLICATION OR REPRODUCTION IN WHOLE OR IN PART OR DISCLOSURE HEREOF TO UNAUTHORIZED PERSONS WITHOUT THE PRIOR WRITTEN CONSENT OF ITEX GRAPHIX CORP. GRAPHIX SYSTEMS DIVISION IS PROHIBITED

OPTICS & OPTIC DRIVE ASSEMBLY

192569-001
Housing

H-1056

H-1552

H-1444

H-1569

190574-001 (4)
Switch

H-5855

089493-000 (4)
Nut Plate

192384-001 (2)
Switch Bracket

192494-001 (4)
Actuator Switch

H-4654
H-1569
H-1552

192380-001 (2)
Bearing Block

192382 001 (1)
Copyboard Screw

H-1552
H-4653

192842-001 (1)
Switch Brkt

067964-000 (2)
Sprocket

192385A001 (2)
Bearing Block Assy

401446-056 (2)
Chain

H-1552
H-1444
H-1560

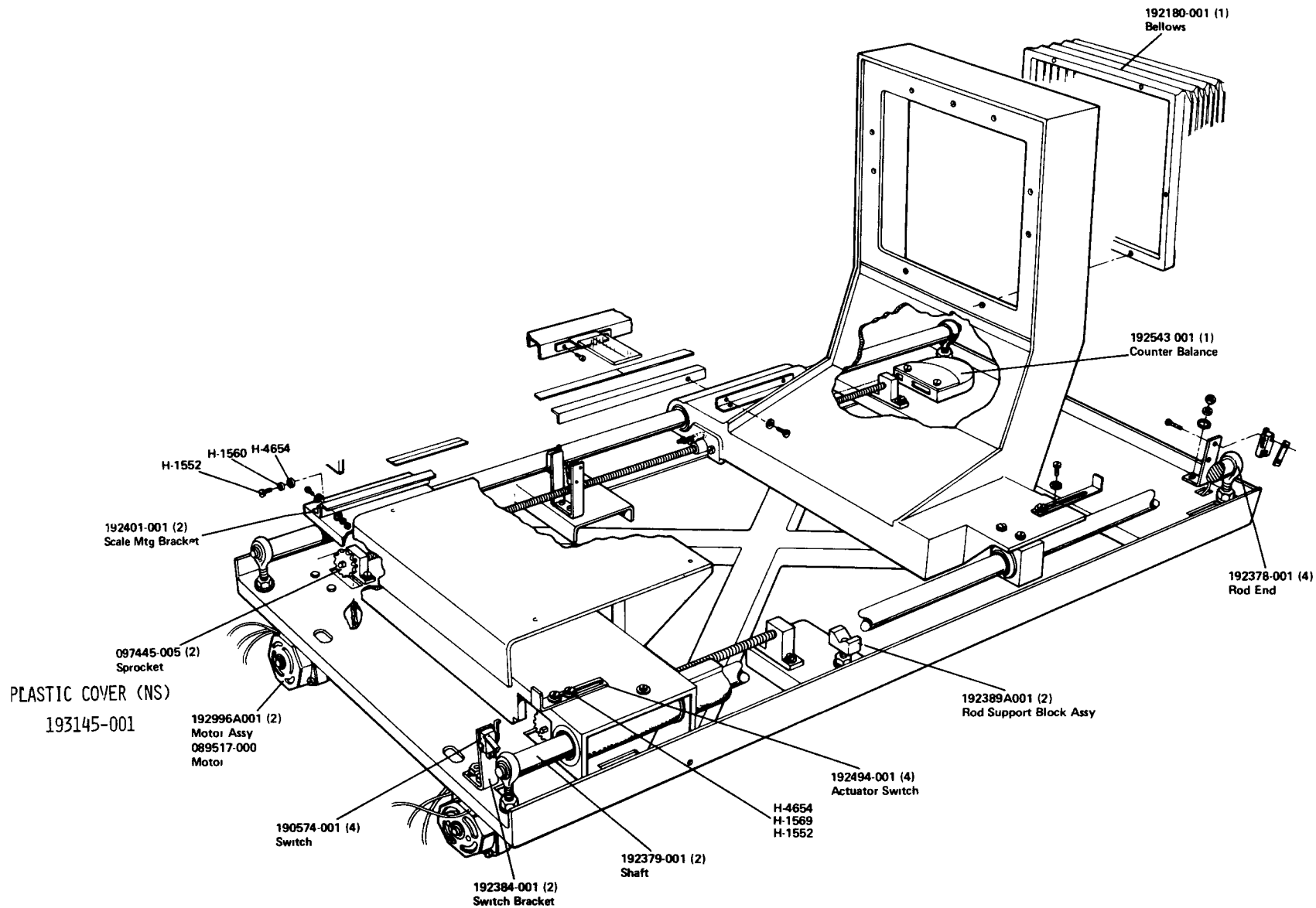
H-1552

H 1560

09348100
Crash Switch
(Not Shown)

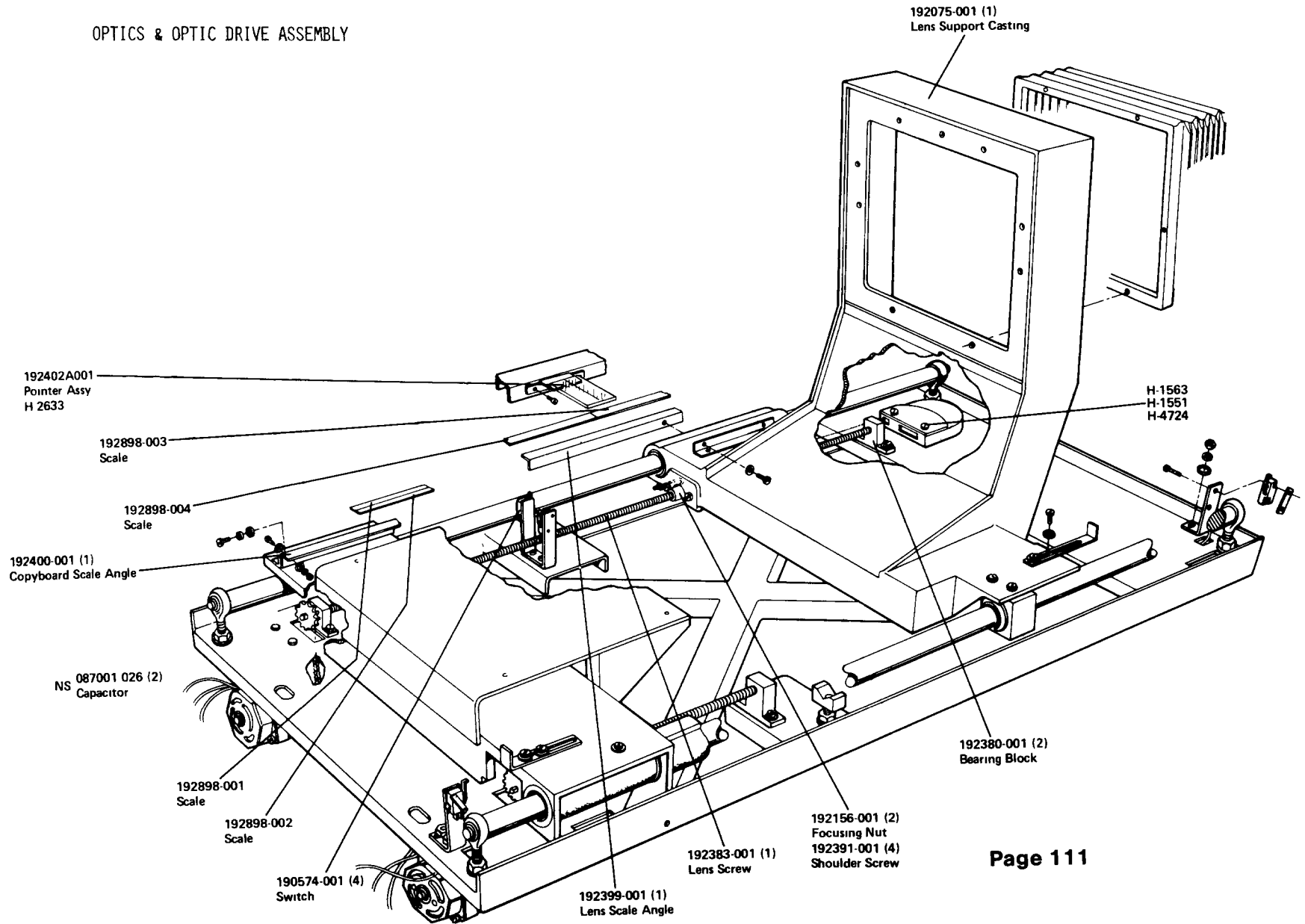
NOTICE: THIS CONTAINS CONFIDENTIAL, PROPRIETARY AND NON-PUBLIC INFORMATION OF ITEX GRAPHIX CORP. DUPLICATION OR REPRODUCTION (IN WHOLE OR IN PART) OR DISCLOSURE HEREOF TO UNAUTHORIZED PERSONS WITHOUT THE PRIOR WRITTEN CONSENT OF ITEX GRAPHIX CORP. GRAPHIC SYSTEMS DIVISION IS PROHIBITED.

OPTICS & OPTIC DRIVE ASSEMBLY



NOTICE: THIS CONTAINS CONFIDENTIAL, PROPRIETARY AND NON-PUBLIC INFORMATION OF ITT GRAPHIX CORP. DUPLICATION OR REPRODUCTION IN WHOLE OR IN PART OR DISCLOSURE HEREOF TO UNAUTHORIZED PERSONS WITHOUT THE PRIOR WRITTEN CONSENT OF ITT GRAPHIX CORP. GRAPHIX SYSTEMS DIVISION IS PROHIBITED

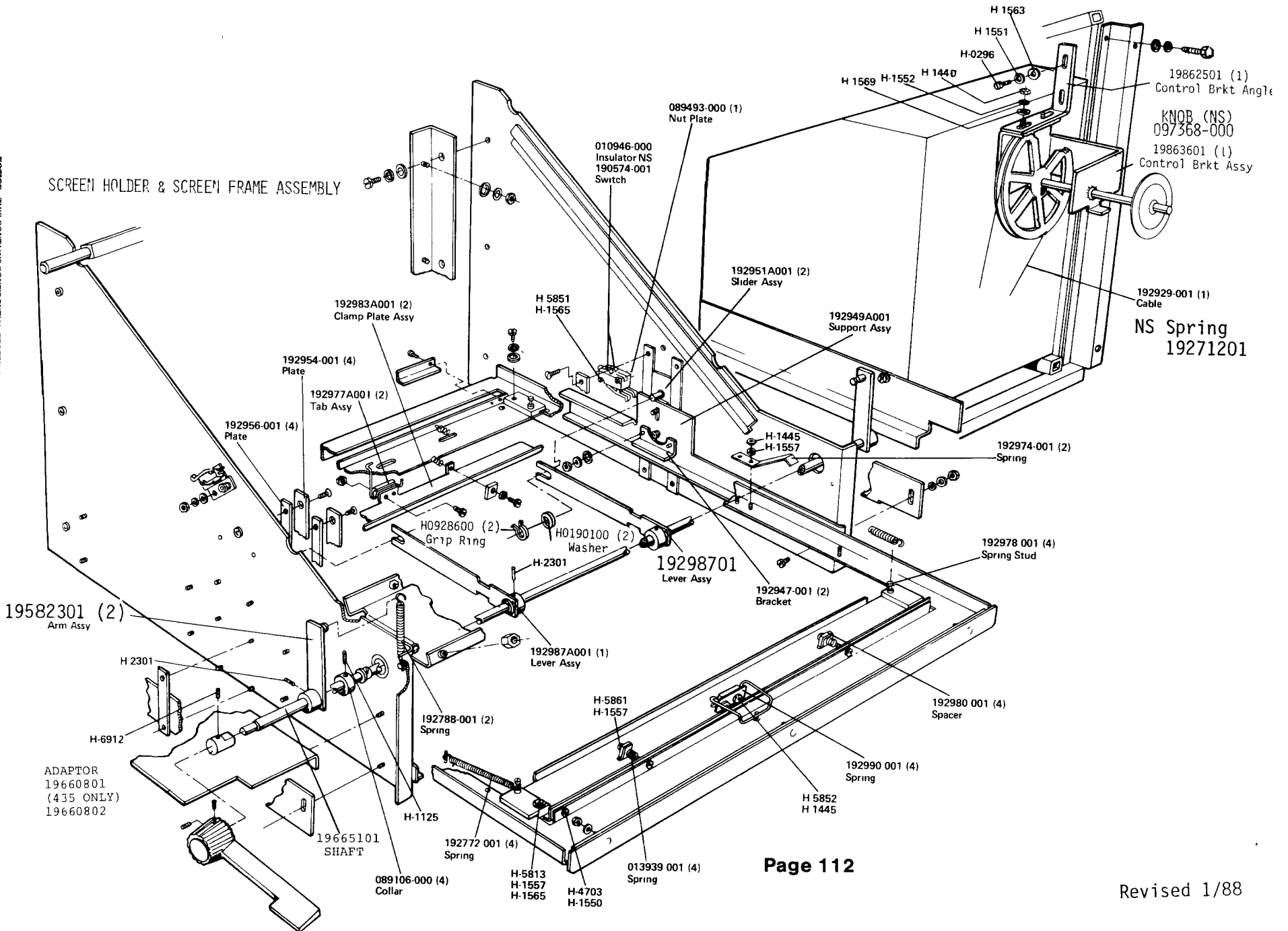
OPTICS & OPTIC DRIVE ASSEMBLY



NOTICE: THIS CONTAINS CONFIDENTIAL, PROPRIETARY AND NON-PUBLIC INFORMATION OF TTEK GRAPHIX CORP. DUPLICATION OR REPRODUCTION IN WHOLE OR IN PART OR DISCLOSURE HEREOF TO UNAUTHORIZED PERSONS WITHOUT THE PRIOR WRITTEN CONSENT OF TTEK GRAPHIX CORP. GRAPHIC SYSTEMS DIVISION IS PROHIBITED.

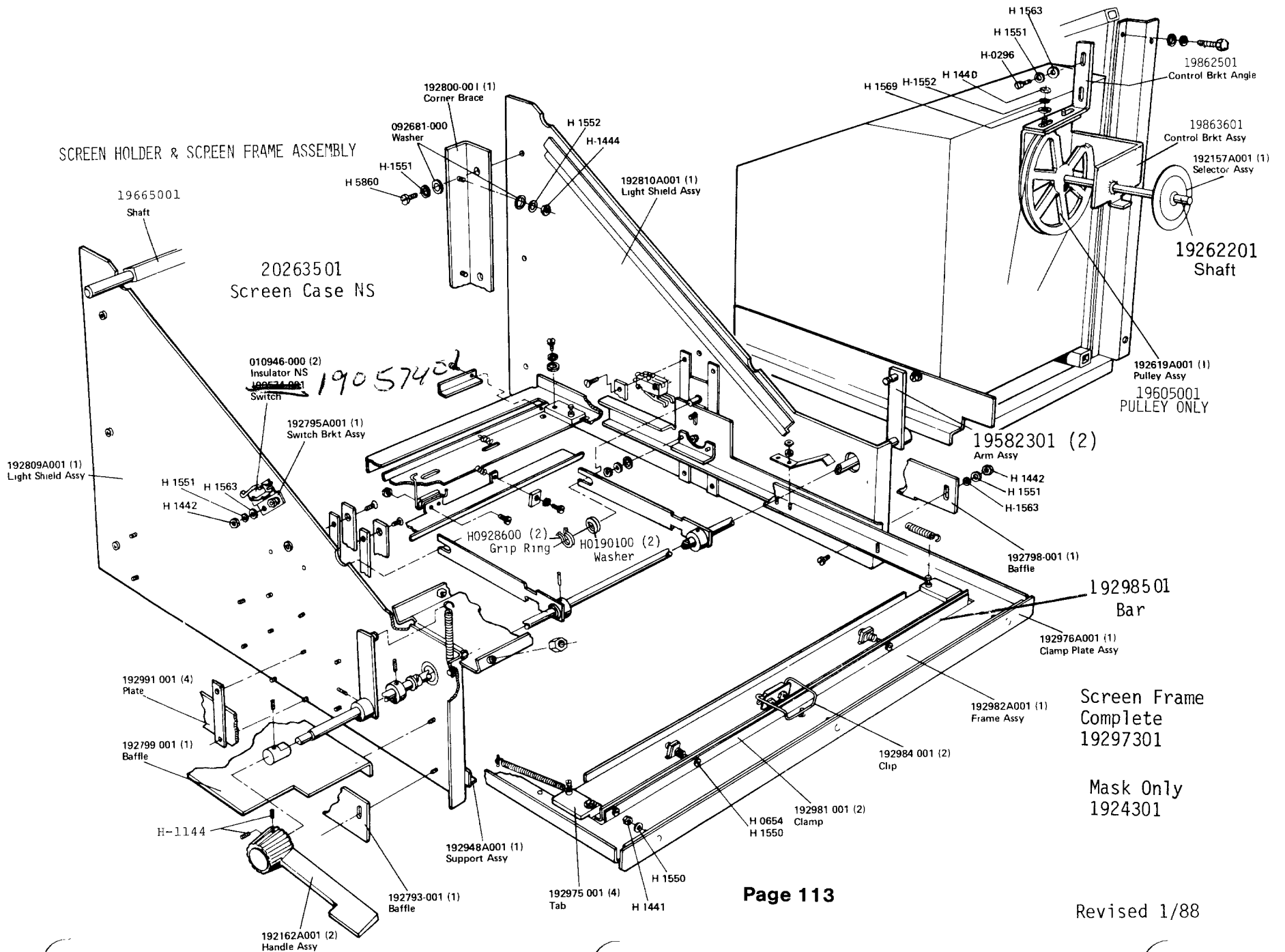
NOTICE: THIS CONTAINS CONFIDENTIAL, PROPRIETARY AND NON-PUBLIC INFORMATION OF Itek GRAPHIX CORP. DUPLICATION OR REPRODUCTION IN WHOLE OR IN PART OR DISCLOSURE HEREOF TO UNAUTHORIZED PERSONS WITHOUT THE PRIOR WRITTEN CONSENT OF Itek GRAPHIX CORP. GRAPHIX SYSTEMS DIVISION IS PROHIBITED.

SCREEN HOLDER & SCREEN FRAME ASSEMBLY

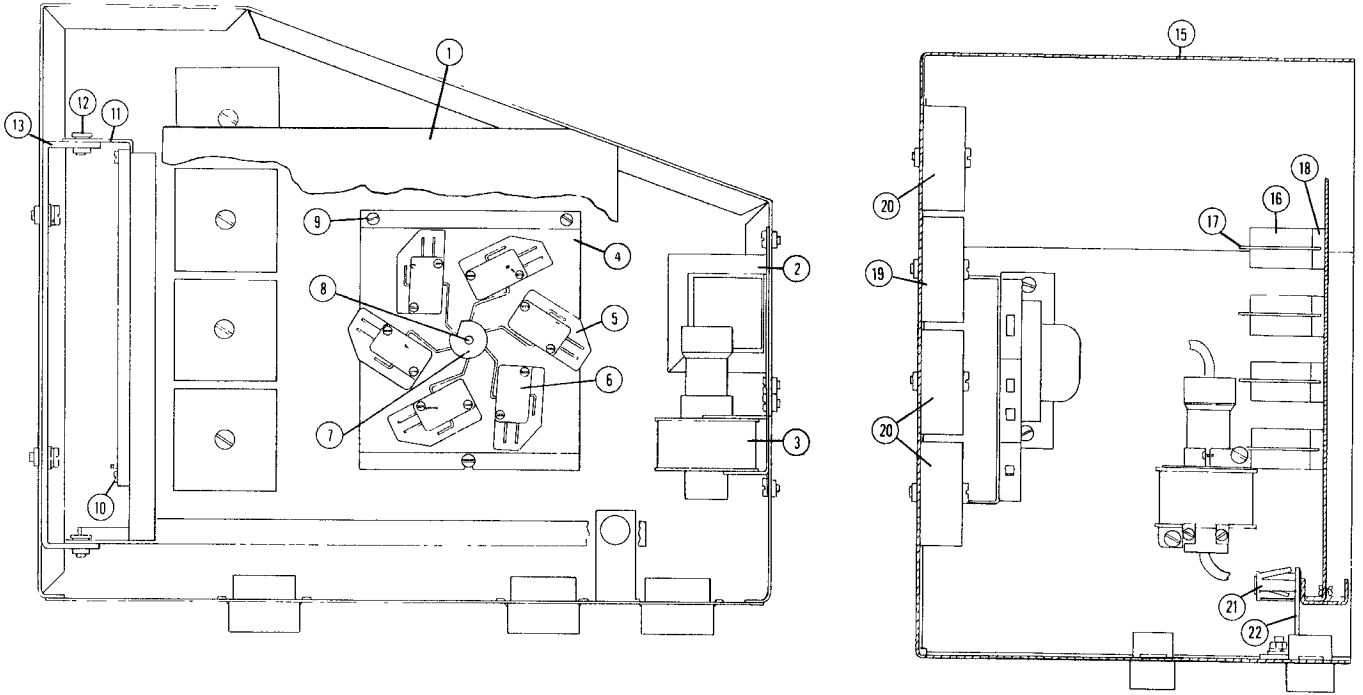


NOTICE: THIS CONTAINS CONFIDENTIAL, PROPRIETARY AND NON-PUBLIC INFORMATION OF ITEX GRAPHIX CORP. DUPLICATION OR REPRODUCTION (IN WHOLE OR IN PART) OR DISCLOSURE HEREOF TO UNAUTHORIZED PERSONS WITHOUT THE PRIOR WRITTEN CONSENT OF ITEX GRAPHIX CORP. GRAPHIX SYSTEMS DIVISION IS PROHIBITED.

SCREEN HOLDER & SCREEN FRAME ASSEMBLY



430/435 Control Box 19253602

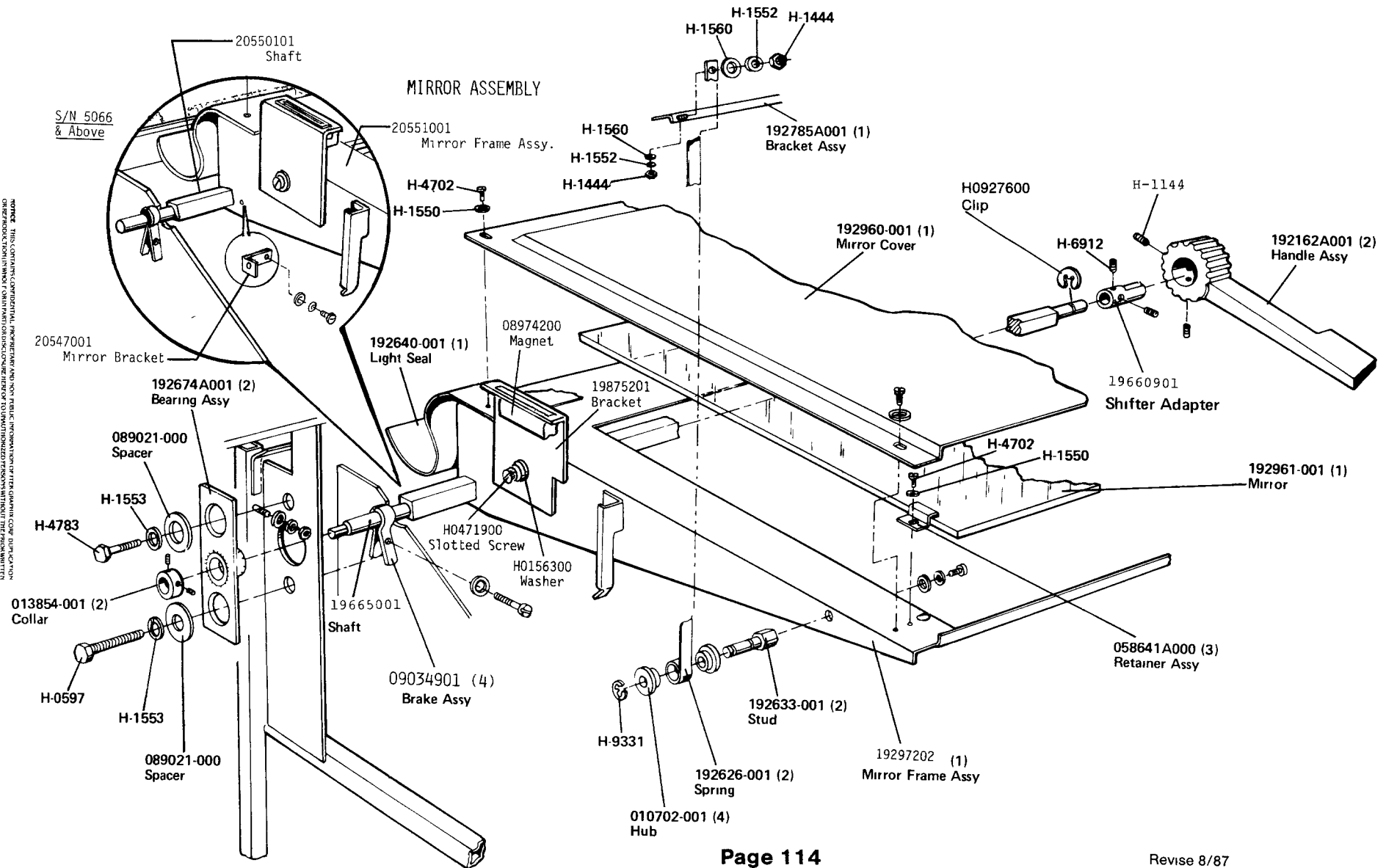


REF.	DESCRIPTION	PART NO.	QTY.	REF.	DESCRIPTION	PART NO.	QTY.
1	Relay PC Board	19944501		14	Screw	H0465300	
2	Transformer	19313001			Lock Washer	H0155200	
					Washer	H0156000	
3	Top Lamp Relay	19289601		15	Control Box Assy	19312401	
4	Bracket	19307701		16	Relay	08938501	
5	Insulator	01094600		17	Relay Clip	19294001	
6	Switch	19307601		18	Relay Socket	19287501	
				19	Time Delay, 5 Min.(A-1)	20472001	
7	Cam	19303101			Screw	H0065700	
				20	Time Delay, 2 Sec. (A-2, A-3, A-4)	20472002	
8	Motor	19307501			Screw	H0065700	
9	Screw	H0471900		21	Magnetic Catch	19288101	
10	Screw	H0585200		22	Angle Bracket	19287801	
11	Mounting Bracket	19287500			Nut	H0144400	
12	Screw	01318000			Lock Washer	H0155200	
13	Bracket Assembly	19287901			Washer	H0155600	
				NS	A-4 Time Delay Circuit Kit	20489801	

Note: Items 4,5,6,7, & 8 are Sequencer Assembly - 19293501.

NOTICE. THIS CONTAINS CONFIDENTIAL, PROPRIETARY AND NON PUBLIC INFORMATION OF ITEK GRAPHIX CORP. DUPLICATION OR REPRODUCTION (IN WHOLE OR IN PART) OR DISCLOSURE HEREOF TO UNAUTHORIZED PERSONS WITHOUT THE PRIOR WRITTEN CONSENT OF ITEK GRAPHIX CORP. GRAPHIC SYSTEMS DIVISION IS PROHIBITED

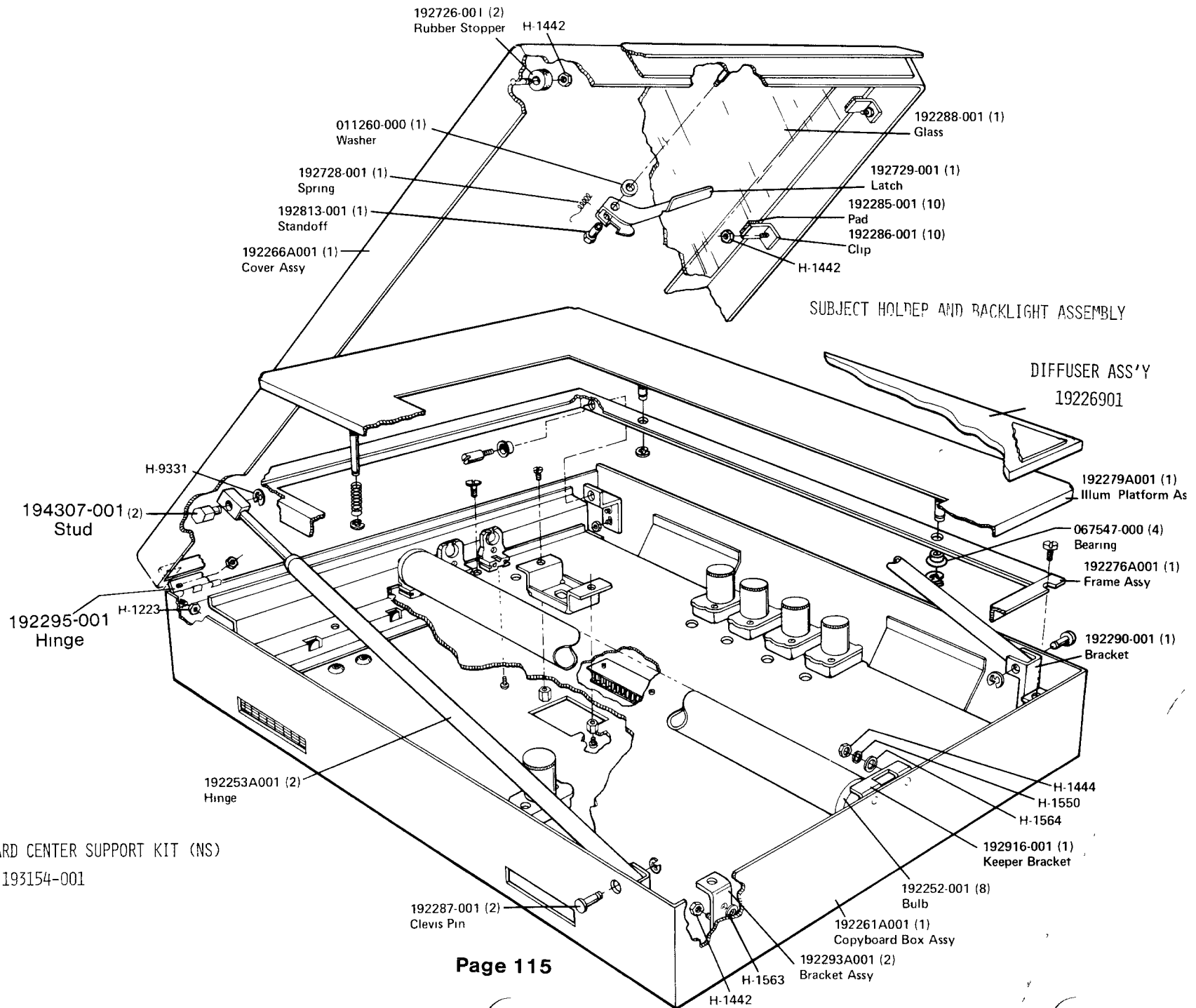
THESE DRAWINGS ARE UNCLASSIFIED AND PUBLIC RELEASE INFORMATION EXCEPT WHERE SHOWN OTHERWISE. THIS DOCUMENT IS UNCLASSIFIED EXCEPT WHERE SHOWN OTHERWISE. THIS DOCUMENT IS UNCLASSIFIED EXCEPT WHERE SHOWN OTHERWISE. THIS DOCUMENT IS UNCLASSIFIED EXCEPT WHERE SHOWN OTHERWISE.



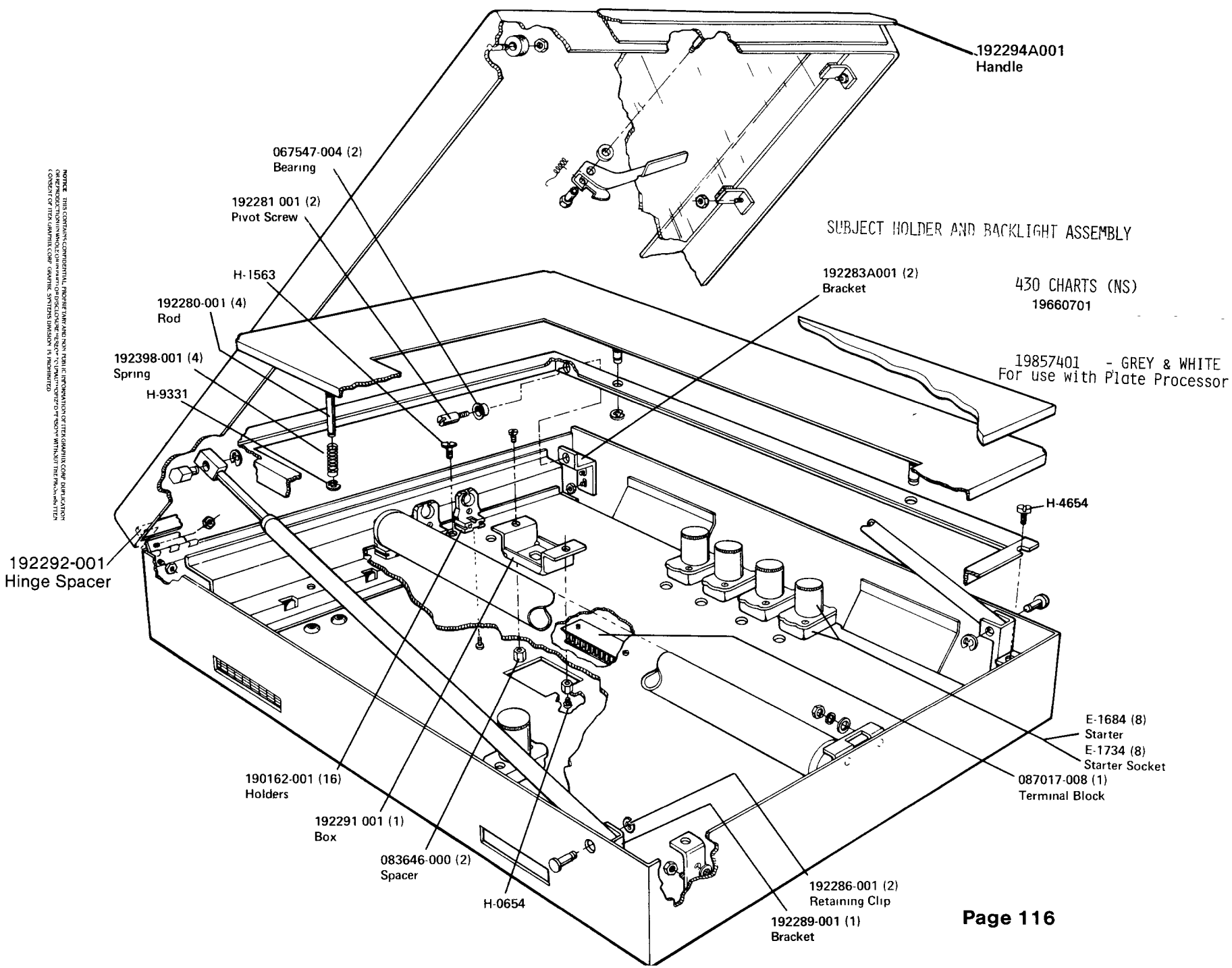
S/N 5066
& Above

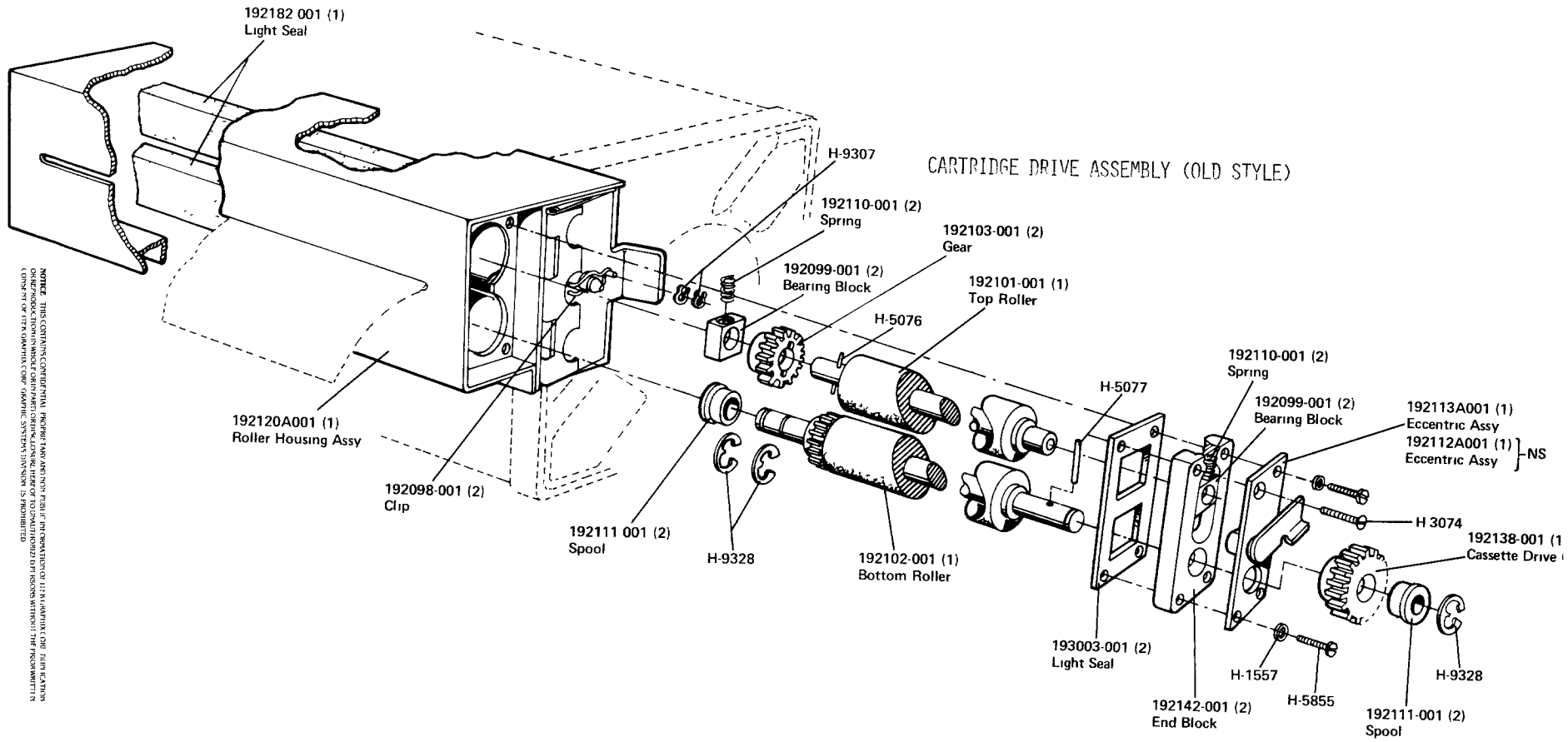
NOTICE: THIS CONTAINS CONFIDENTIAL INFORMATION AND NON-PATENT INFORMATION. IT IS UNLAWFUL TO DISSEMINATE OR TO REPRODUCE OR TO TRANSMIT IN ANY MANNER OR BY ANY MEANS, ELECTRONIC OR MECHANICAL, INCLUDING PHOTOCOPYING, RECORDING, OR BY ANY INFORMATION STORAGE AND RETRIEVAL SYSTEM, WITHOUT THE PERMISSION OF THE INFORMATION SYSTEMS DIVISION.

COPYBOARD CENTER SUPPORT KIT (NS)
 193154-001



NOTICE: THIS CONTAINS CONFIDENTIAL, PROPRIETARY AND/OR TRADE INFORMATION OF THE GRAPHIC CORP. REPRODUCTION IN WHOLE OR IN PART OR DISCLOSURE HEREIN TO UNAUTHORIZED PERSONS WITHOUT THE WRITTEN CONSENT OF THE GRAPHIC CORP. GRAPHIC SYSTEMS DIVISION IS PROHIBITED.

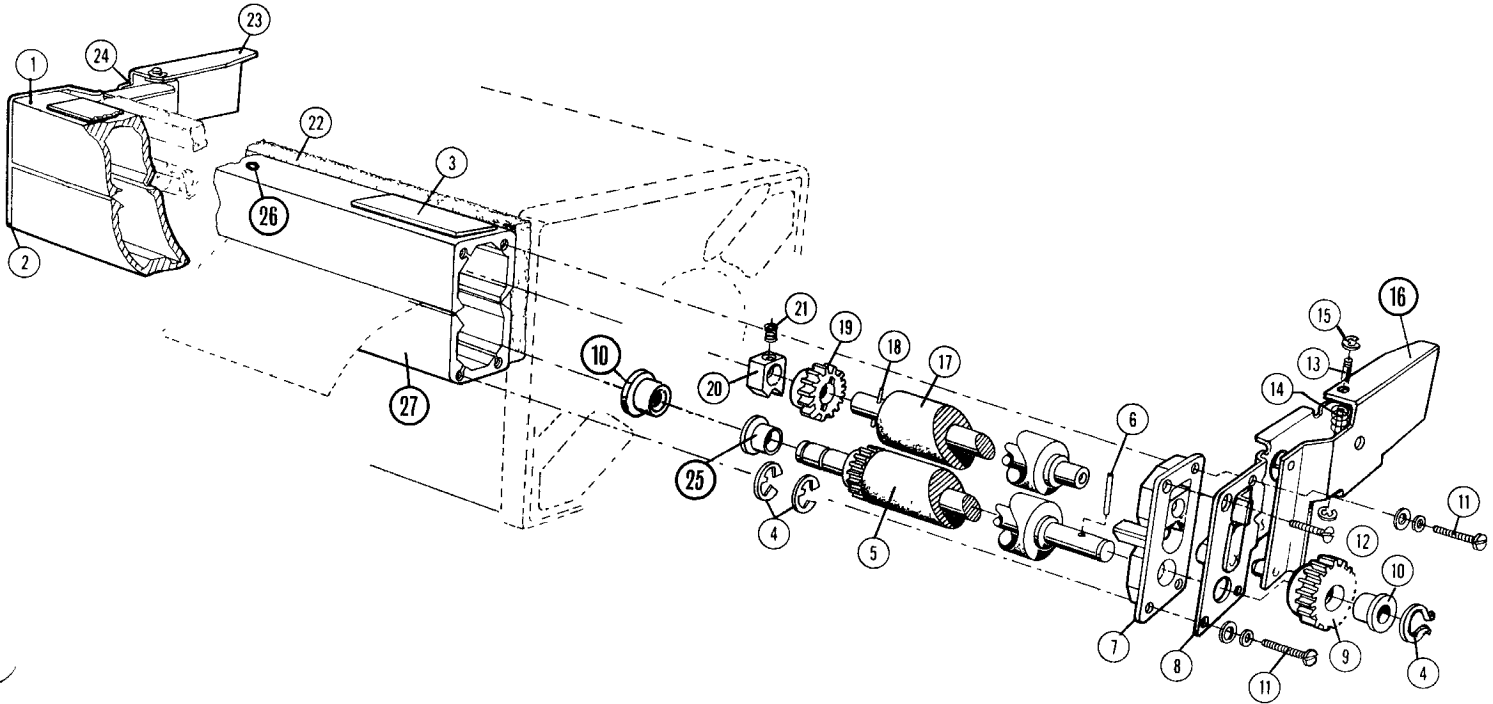




NOTICE: THIS CONTAINS CONFIDENTIAL PROPRIETARY AND TRADE SECRET INFORMATION OF THE COMPANY. IT IS THE PROPERTY OF THE COMPANY AND IS NOT TO BE DISCLOSED OR REPRODUCED IN ANY MANNER WITHOUT THE WRITTEN PERMISSION OF THE COMPANY.

CARTRIDGE DRIVE ASSEMBLY

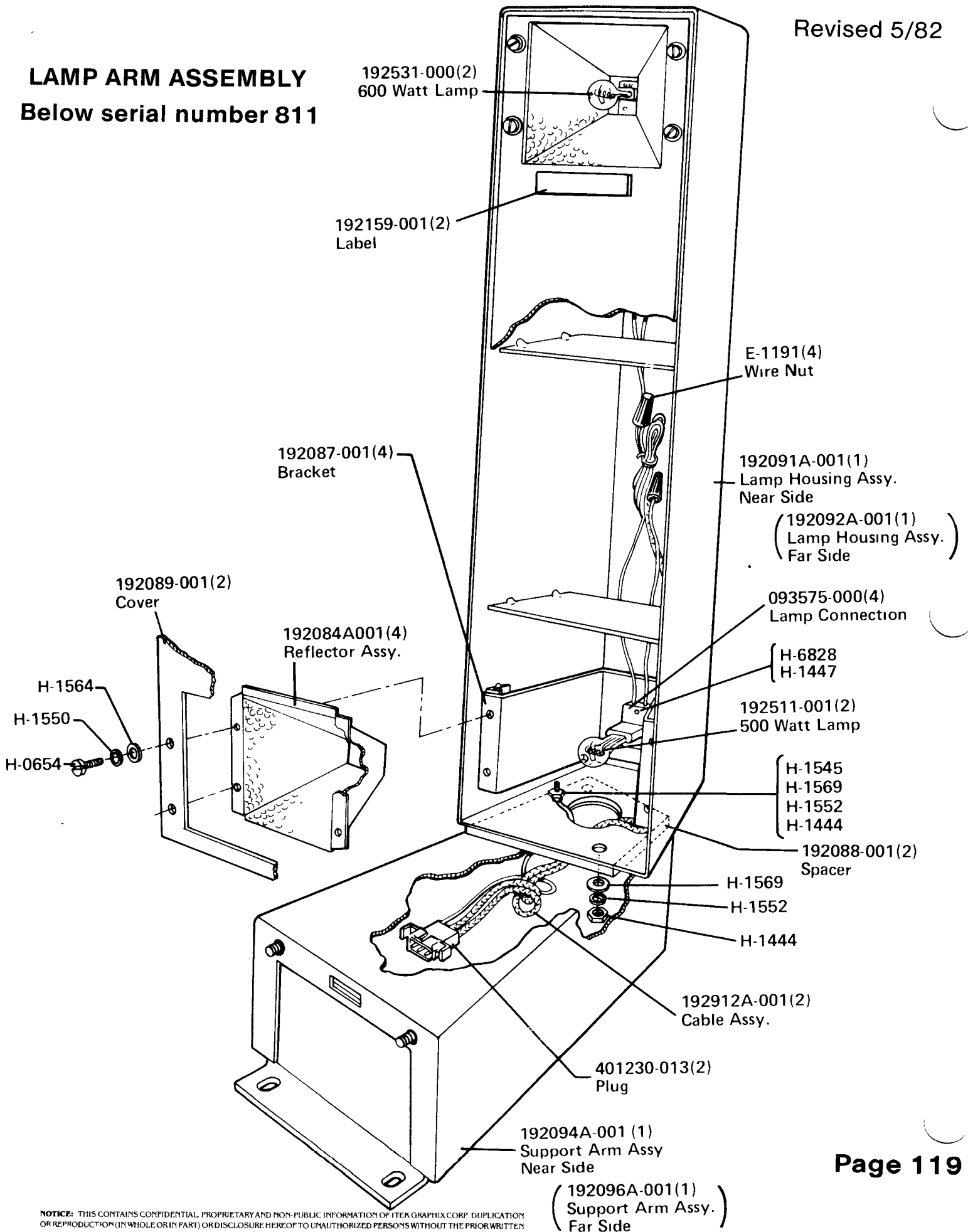
PC50043



REF.	DESCRIPTION	PART NO.	QTY.	REF.	DESCRIPTION	PART NO.	QTY.
1	Housing, UPPER	19304302	1	13	Pin	19304401	2
2	End Block (LH)	19304201	1	14	Spring	40149913	2
3	Striker Plate	08974100	2	15	"E" Ring	H0932900	4
4	Retainer	H0932100	4	16	Cover Assy (RH)	19306901	1
5	Bottom Roller	19210201	1	17	Top Roller	19210101	1
6	Pin	H0507700	1	18	Pin	H0507600	2
7	End Block (RH)	19304101	1	19	Gear	19210301	2
8	Eccentric Assy (RH)	19666701	1	20	Bearing Block	20236701	2
9	Drive Gear	19213801	1	21	Spring	19211001	2
10	Spool	19211101	2	22	Light Seal	19307201	1
11	Screw	H0260600	6	23	Cover Assy (LH)	19307001	1
12	Screw	H0264200	2	24	Eccentric Assy (LH)	19666801	1
				25	Bearing	20167801	1
				26	STUD	H0229200	1
				27	Housing, Lower	19304301	1

LAMP ARM ASSEMBLY

Below serial number 811



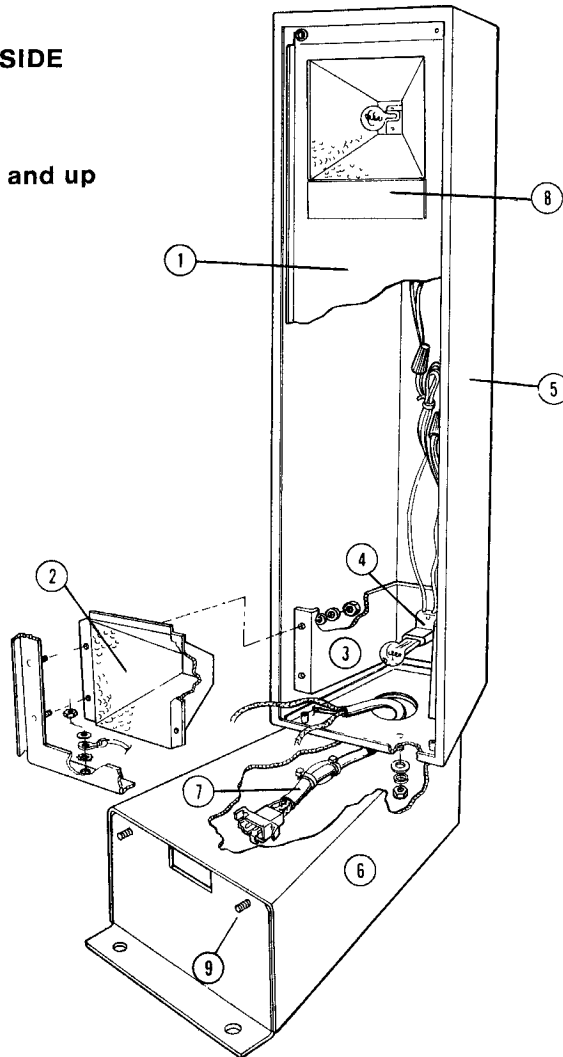
NOTICE: THIS CONTAINS CONFIDENTIAL, PROPRIETARY AND NON-PUBLIC INFORMATION OF ITEK GRAPHIX CORP. DUPLICATION OR REPRODUCTION (IN WHOLE OR IN PART) OR DISCLOSURE HEREOF TO UNAUTHORIZED PERSONS WITHOUT THE PRIOR WRITTEN CONSENT OF ITEK GRAPHIX CORP. GRAPHIC SYSTEMS DIVISION IS PROHIBITED.

430 CAMERA PROCESSOR LAMP ASSEMBLY

NON OPERATOR SIDE
19431001

OPERATOR SIDE
19431101

Serial number 811 and up

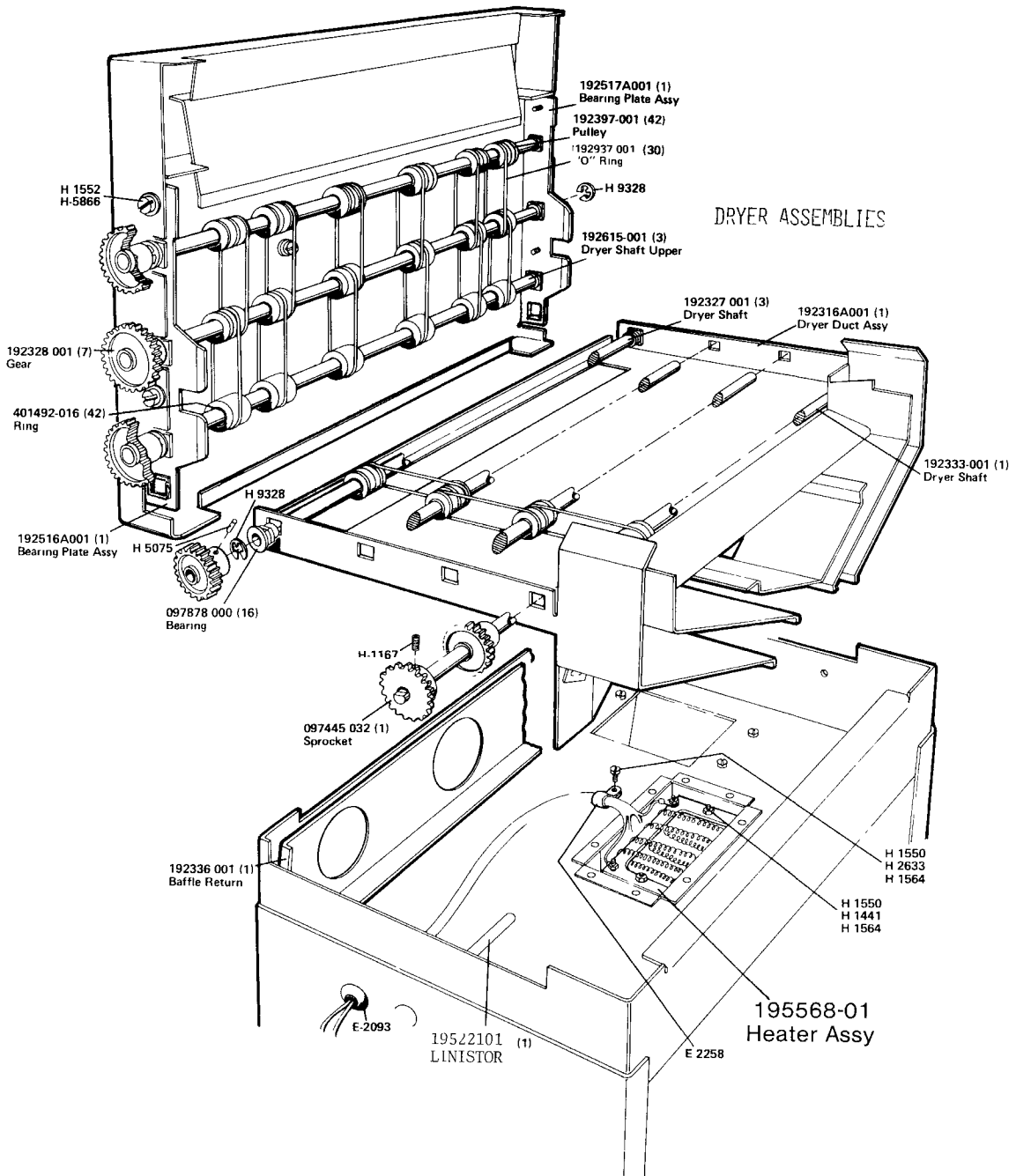


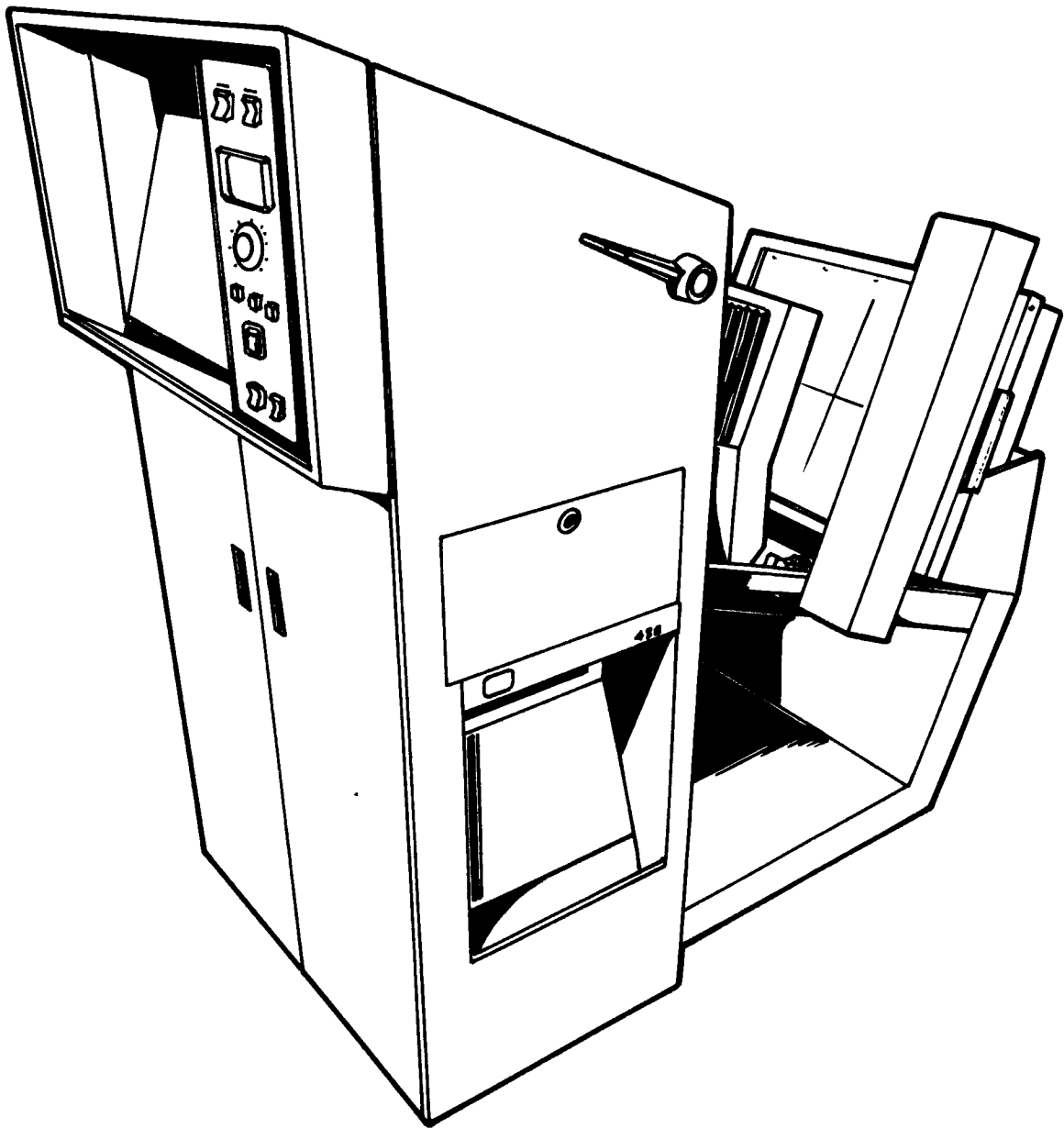
REF.	DESCRIPTION	PART NO.	QTY.	REF.	DESCRIPTION	PART NO.	QTY.
1	Light Shield Assy	19430101		5	N.O. Lamp Shell Assy	19436901	
	Screw	H0470200			Washer	H0156000	
	Washer	H0156400			Lock Washer	H0155200	
	Lock Washer	H0155000			Nut	H0144400	
2	Reflector Assembly	19208401			Oper. Lamp Shell	19429401	
3	Bracket	19208701		6	N.O. Support Arm Assy	19429501	
	Washer	H0156400			Oper. Support Arm Assy	19429601	
	Lock Washer	H0155000		7	Lamp Harness Assy	19291202	
	Nut	H0144100			Tie Base	19294101	
4	Lamp Conn. (Socket)	09357500		8	Label	19215901	
	Screw	H0682800		9	Flanged Nut	H0124000	
	Nut	H0144700					
	Terminal Nut	E0119100					

NOTE: Oper. - Operator Side (Right)
N.O. - Non Operator Side (Left)

Revised 6/85

119-A

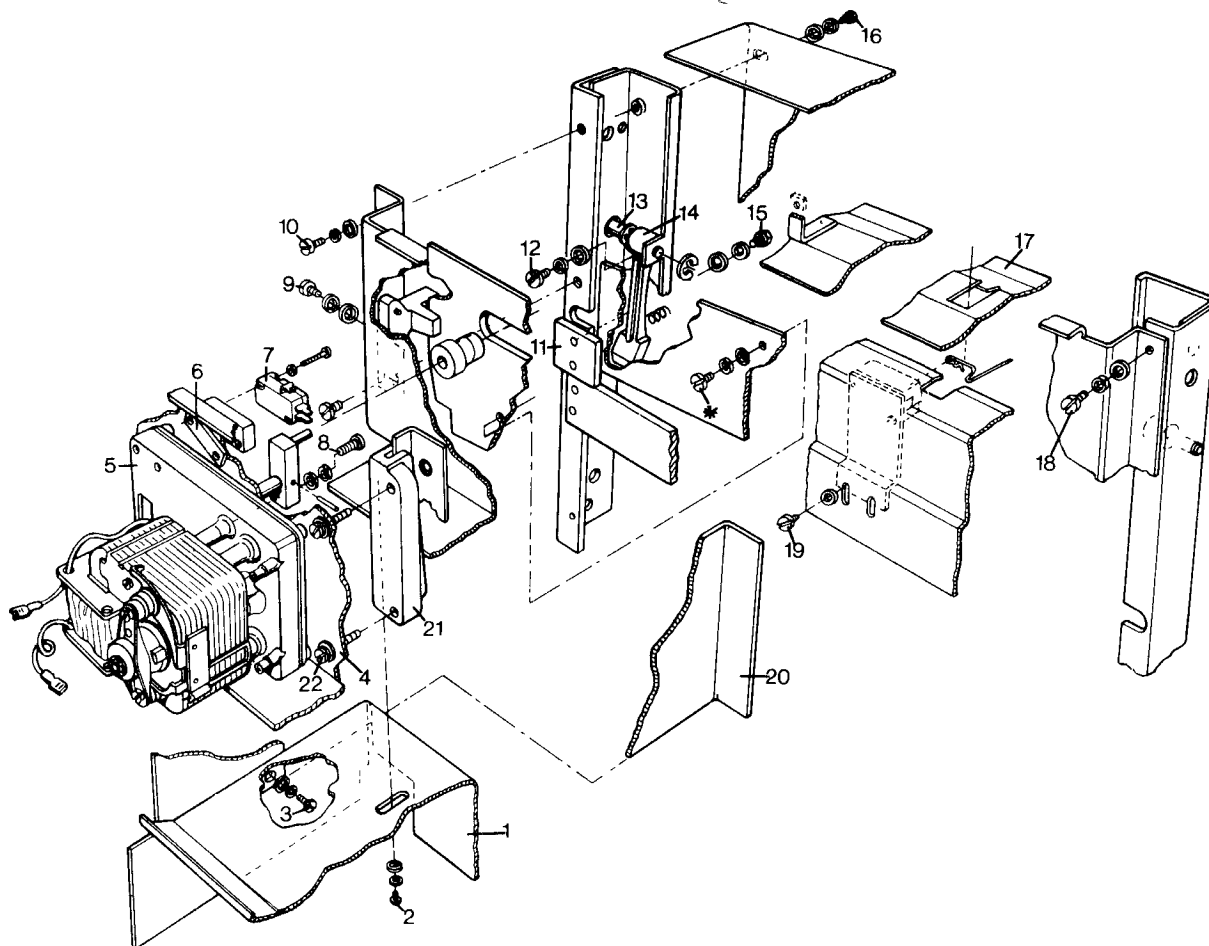




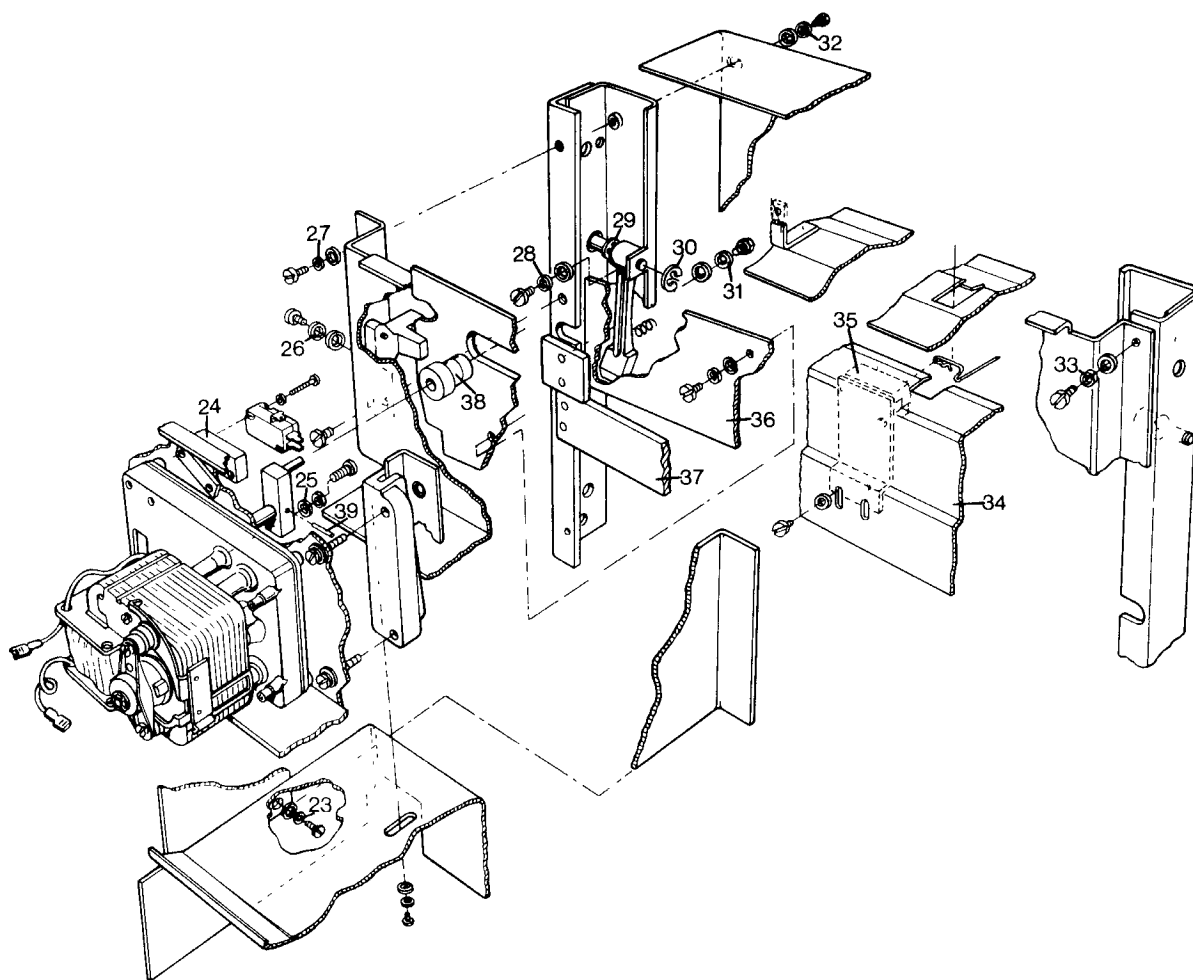
1400 Configuration Units Addendum

Page 121

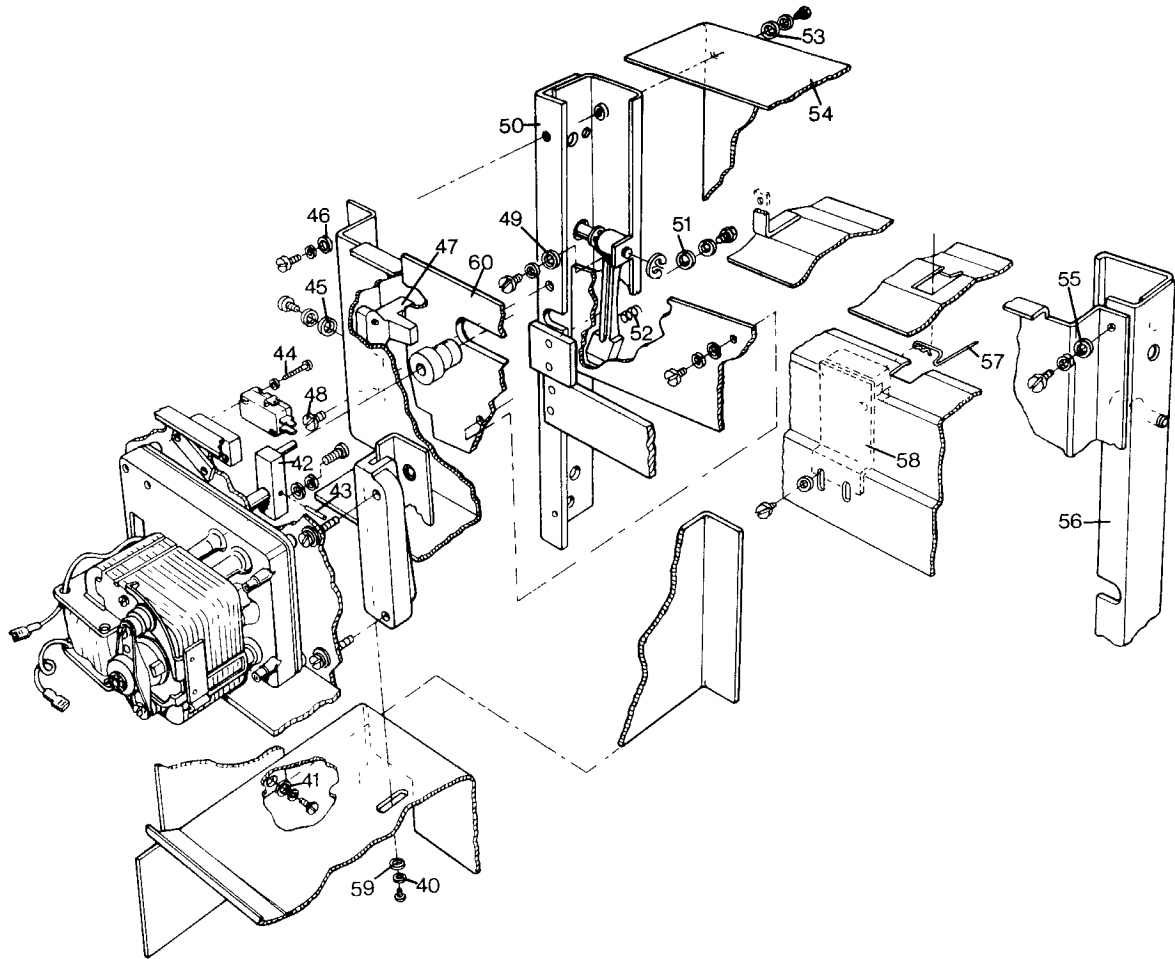
NOTICE: THIS CONTAINS CONFIDENTIAL, PROPRIETARY AND NON-PUBLIC INFORMATION OF ITEK GRAPHIX CORP. DUPLICATION OR REPRODUCTION (IN WHOLE OR IN PART) OR DISCLOSURE HEREOF TO UNAUTHORIZED PERSONS WITHOUT THE PRIOR WRITTEN CONSENT OF ITEK GRAPHIX CORP. GRAPHIC SYSTEMS DIVISION IS PROHIBITED.



REF.	DESCRIPTION	PART NO.	QTY.	REF.	DESCRIPTION	PART NO.	QTY.
1	Top Cover	19307801		12	Screw	H0586000	
2	Screw	H0471900		13	Pin	19578201	
3	Screw	H0471900		14	Saving Block	19594601	
4	Motor Bracket Assembly	19553101		15	Screw	H0480000	
5	Knife Motor	19552801		16	Screw	H0482700	
6	Nut Plate	08949300		17	Upper Guide Assembly	19552401	
7	Switch	01035702		18	Screw	H0472100	
8	Screw	H0472100		19	Screw	H0916300	
9	Screw	H0029600		20	Side Plate	19487501	
10	Screw	H0472100		21	Guide Block	19594501	
11	Pad	19551601		22	Screw	H0472100	



REF.	DESCRIPTION	PART NO.	QTY.	REF.	DESCRIPTION	PART NO.	QTY.
23	Washer	H0156300	4	32	Washer	H0156300	
24	Spacer	19440701		33	Washer	H0155100	
25	Washer	H0156300	4	34	Plate	19349601	
26	Washer	H0156300		35	Switch	19487801	
27	Washer	H0155100		36	Movable Knife	19881801	
28	Washer	H0156300		37	Stationary Knife	19881301	
29	C-Washer	H0933100		38	Roller	19308901	
30	C-Washer	H0933100		39	Pin	H0509200	
31	Washer	H0156000					

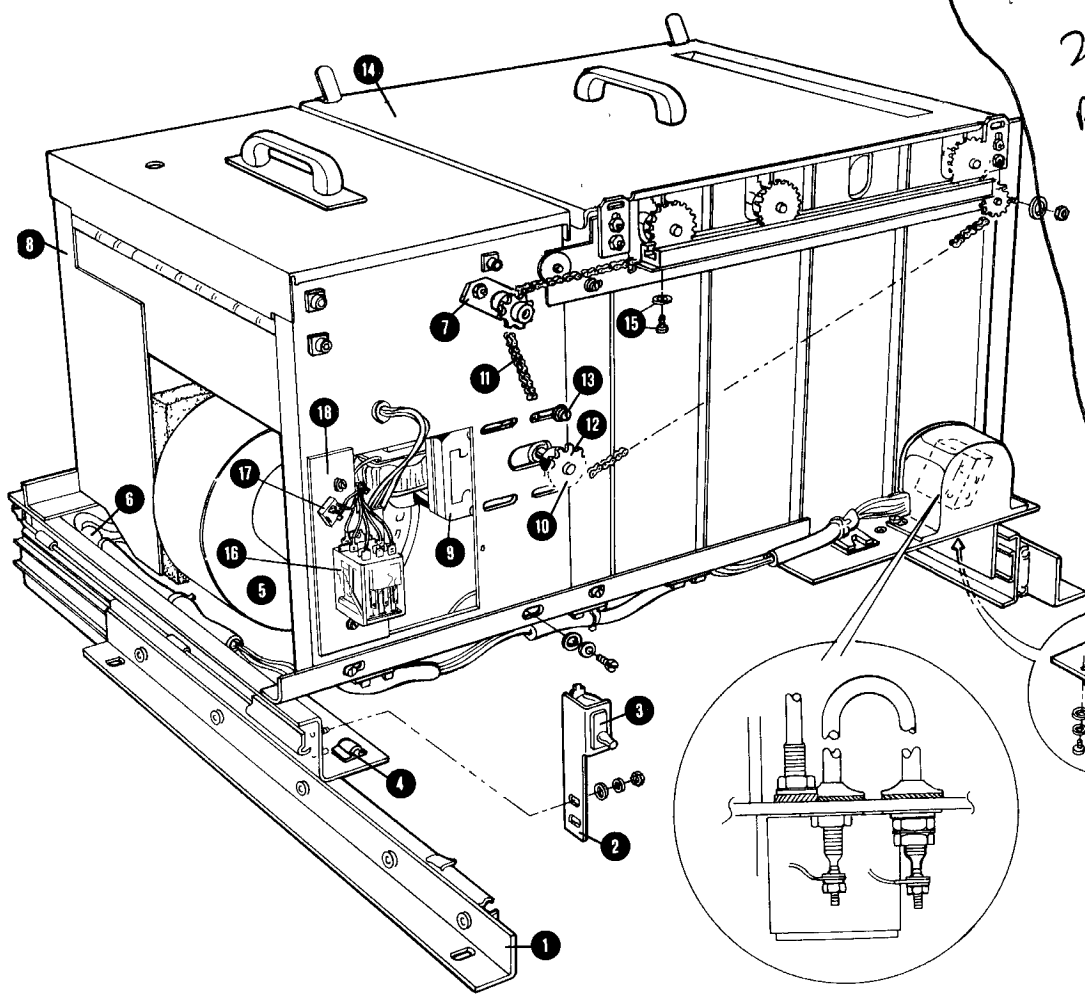


REF.	DESCRIPTION	PART NO.	QTY.	REF.	DESCRIPTION	PART NO.	QTY.
40	Washer	H0156300		51	Washer	H0155200	
41	Washer	H0155100	4	52	Spring	09318900	
42	Pivot Plate Assembly	19551701		53	Washer	H0155100	
43	Washer	H0156300		54	Light Shield	19552301	
44	Screw	H0584100		55	Washer	H0156300	
45	Washer	H0155100		56	Right Support	19615101	
46	Washer	H0156300		57	Actuator	19651801	
47	Guide Block	19594401	2	58	Switch Bracket	19650302	
48	Screw	H0586000		59	Washer	H0155100	
49	Washer	H0155100		60	Plate Assembly	19595101	
50	Left Support	19615001					

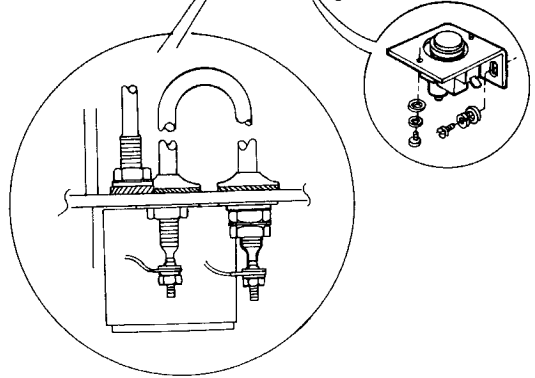
NOTICE: THIS CONTAINS CONFIDENTIAL, PROPRIETARY AND NON-PUBLIC INFORMATION OF THE KODAK COMPANY. REPRODUCTION IN WHOLE OR IN PART OR DISSEMINATION HERE OF TO UNAUTHORIZED PERSONS WITHOUT THE WRITTEN PERMISSION OF THE KODAK COMPANY IS STRICTLY PROHIBITED.

PLATE PROCESSOR

**PROCESSOR/DRYER COMPLETE
19530901 (60 Hz)**

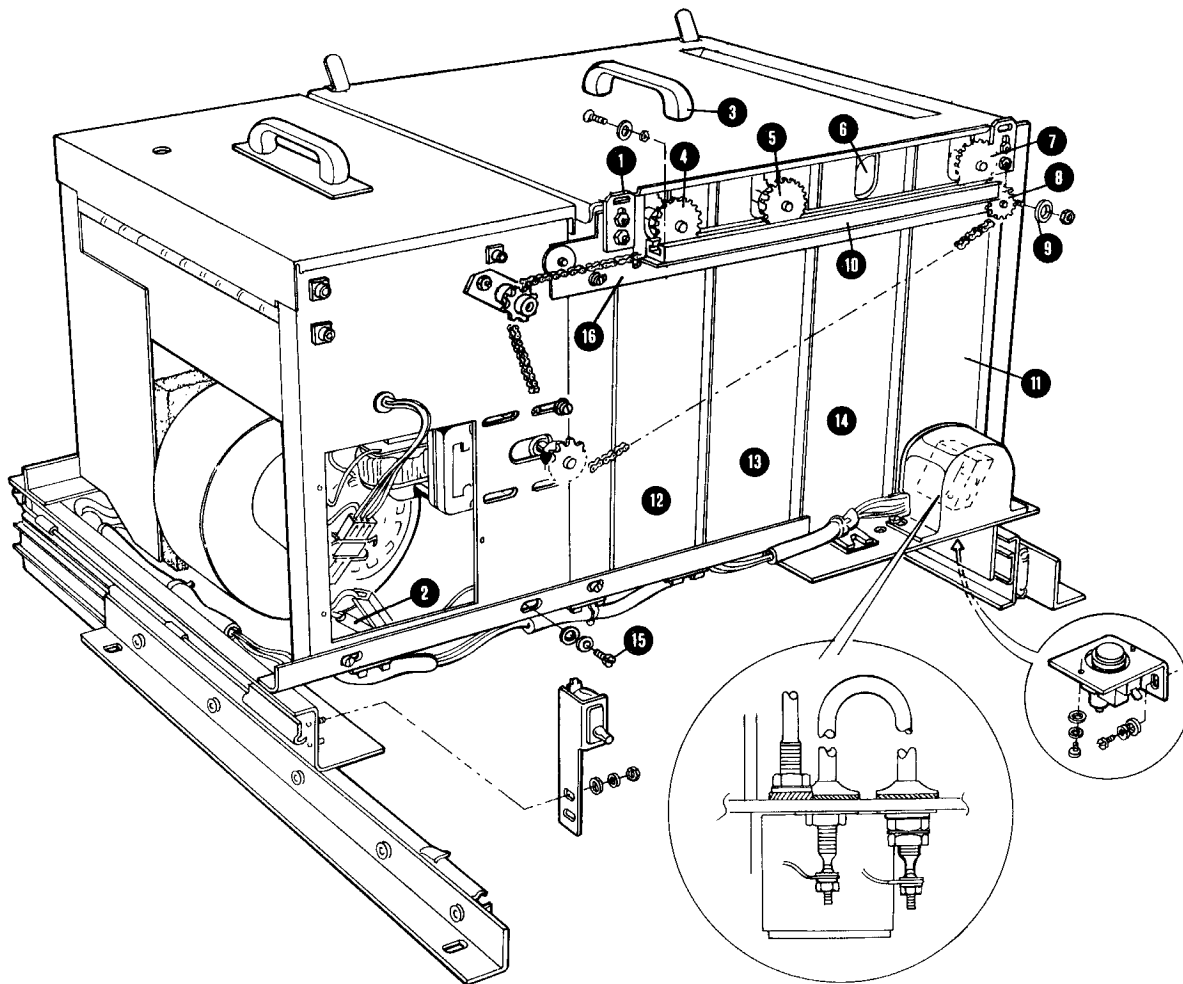


Motor
206870 (1)
ADAPTER
206885 (1)
Screw
H0145 (4)
Nut
H9042 (4)



REF.	DESCRIPTION	PART NO.	QTY.	REF.	DESCRIPTION	PART NO.	QTY.
1	Angle	19514401		9	Motor	19522601	
2	Switch Bracket	19512301		10	Sprocket 50 Hz	09744587	
3	Switch	19253001			Sprocket 60 Hz	09744555	
	Nut	H0144200			Screw	H0324100	
	Lock Washer	H0155100		11	Chain	40144673	
	Washer	H0156300			Screw	H0324100	
4	Clamp	19294101		12	Sprocket 60 Hz	09744555	
5	Blower Assembly	19547401			Pin	H0507500	
6	Harness Assembly	19529701		13	Screw	H0472600	
7	Bearing Plate	19507201			Washer	H0156300	
	Nut	H0144200			Lock Washer	H0155100	
	Lock Washer	H0155100			Nut	H0144200	
8	Dryer	19530801		14	Cover Assy Complete	19905701	
				15	Screw	H0472100	
					Washer	H0156300	
					Lock Washer	H0155100	
				16	Relay	20444301	
				17	Rectifier	40127503	
				18	Mounting Bracket	20444301	

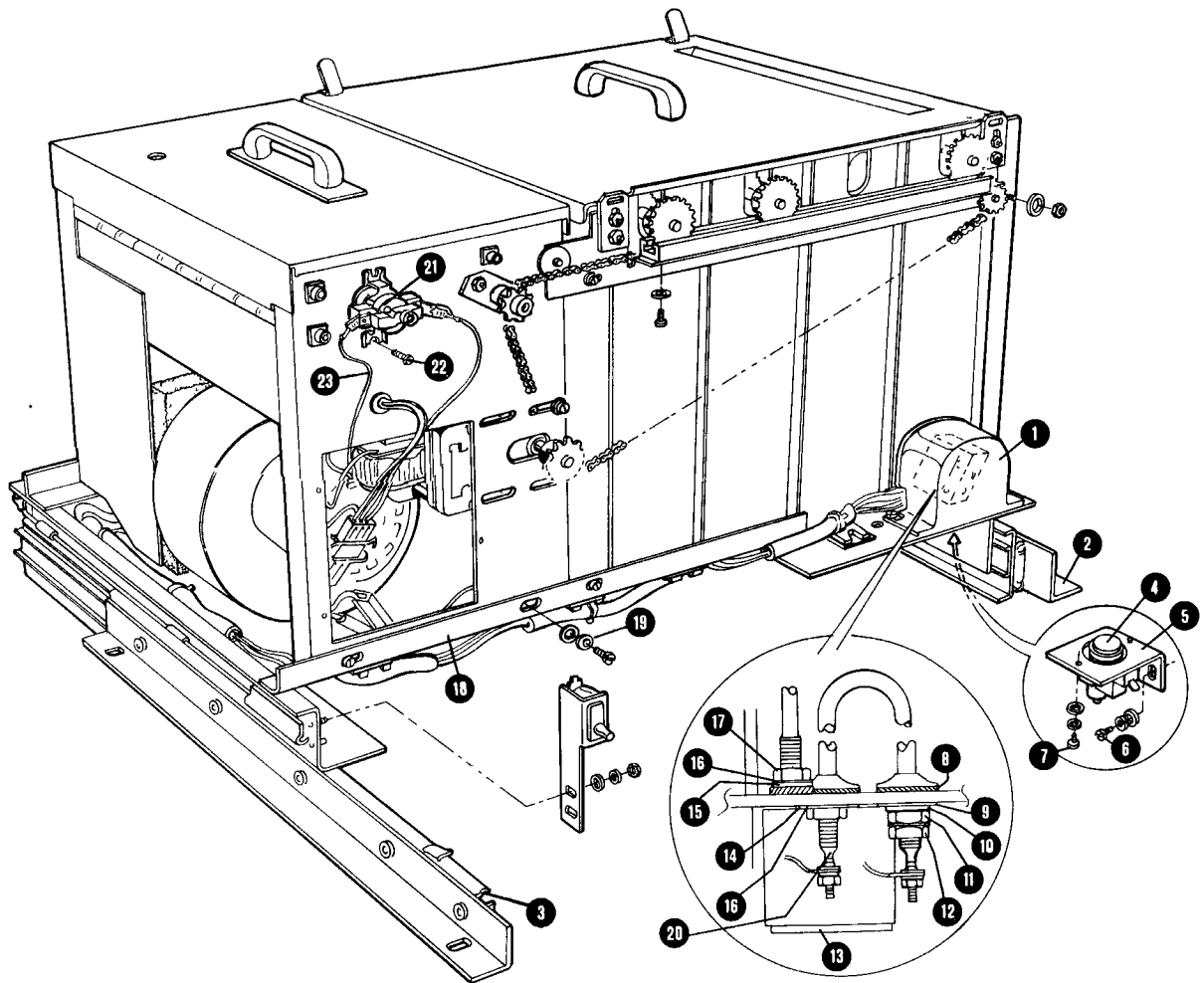
NOTICE: THIS CONTAINS CONFIDENTIAL, PROPRIETARY AND NON-PUBLIC INFORMATION OF ITR GRAPHIC CORP. REPRODUCTION OR REPRODUCTION IN WHOLE OR IN PART OR DISCLOSURE HEREOF TO ANY OTHER PERSONS WITHOUT THE PRIOR WRITTEN CONSENT OF ITR GRAPHIC CORP. GRAPHIC SYSTEMS DIVISION IS PROHIBITED.



REF.	DESCRIPTION	PART NO.	QTY.	REF.	DESCRIPTION	PART NO.	QTY.
1	Block Washer Lock Washer Nut	19568301 H0156300 H0155100 H0144400		9	Washer Nut Washer	09888600 H0144400 H0155200	
2	Line Connector	40123013		10	Chain Guide Screw Washer Lock Washer Nut	19540001 H0472200 H0156300 H0155100 H0144200	
3	Handle Screw Washer Washer	19531401 H0465400 H0156000 H0155200		11	Tank, Developer	19532401	
4	Processor Roller Assy	19252602		12	Tank, Water	19532301	
5	Processor Roller Assy	19252601		13	Tank, Water	19532301	
6	Processor Roller Assy	19252601		14	Tank, Fixer	19532301	
7	Processor Roller Assy	19252603		15	Screw Washer Washer	H0465300 H0156000 H0155200	
8	Sprocket	09744540		16	Metal Chain Guide	19512101	

NOTICE: THIS CONTAINS CONFIDENTIAL, PROPRIETARY AND NON PUBLIC INFORMATION OF ITEX GRAPHIC CORP. DUPLICATION OR REPRODUCTION IN WHOLE OR IN PART OR ANY FURTHER DISCLOSURE, IN REFERENCE TO ANYTHING IDENTIFIED BY REASON WITHOUT THE PRIOR WRITTEN CONSENT OF ITEX GRAPHIC CORP. GRAPHIC SYSTEMS DIVISION IS PROHIBITED.

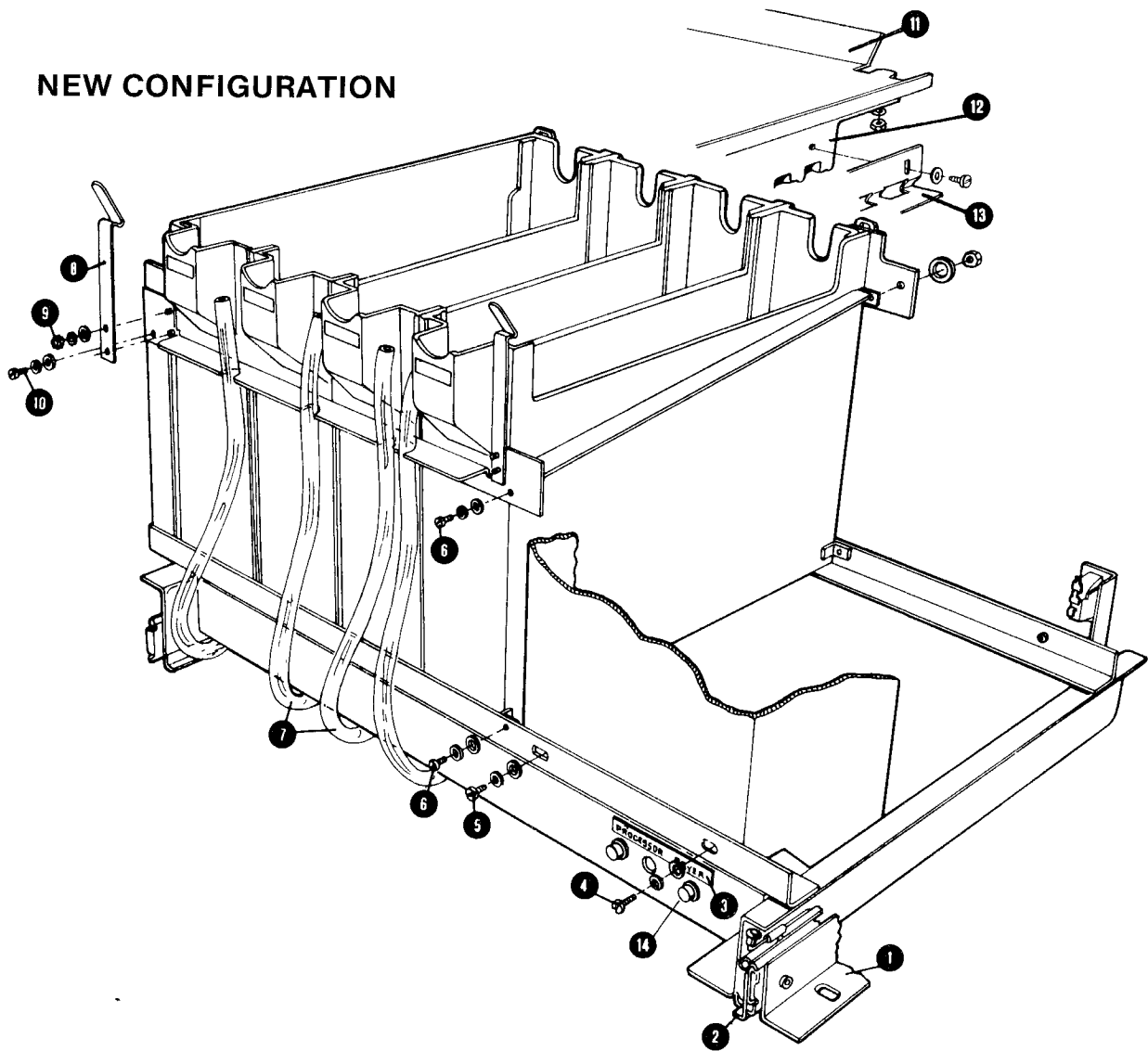
Revised 2/87



REF.	DESCRIPTION	PART NO.	QTY.	REF.	DESCRIPTION	PART NO.	QTY.
1	Terminal Cover	20284601		12	Nut	H0123100	
	Screw	H0472100		13	Insulator	19524901	
	Lock Washer	H0155100		14	Gasket	01351002	
	Washer	H0156300		15	Gasket	01351002	
2	Angle	19513401		16	Washer	08910700	
3	Slide	19248701		17	Nut	H0123100	
4	Limit Control	19406901		18	Processor Dryer	19514901	
5	Bracket	19511801		19	Screw	H0586000	
6	Washer	H0156300			Screw	H0586000	
	Lock Washer	H0155100			Washer	H0156300	
	Nut	H0144200			Lock Washer	H0155100	
7	Screw	H0582600		20	Heater	19503001	
	Washer	H0156300		21	Thermal Cut-Off	19635001	
	Lock Washer	H0155100		22	Mounting Screws	H0263400	
8	Gasket	01351004		23	Wiring Harness	19634801	
9	Gasket	01351004		24	Temperature Control (95°)	20289601	
10	Washer	08910700		NS	Ground Wire	19516201	
11	Nut	H0123100					

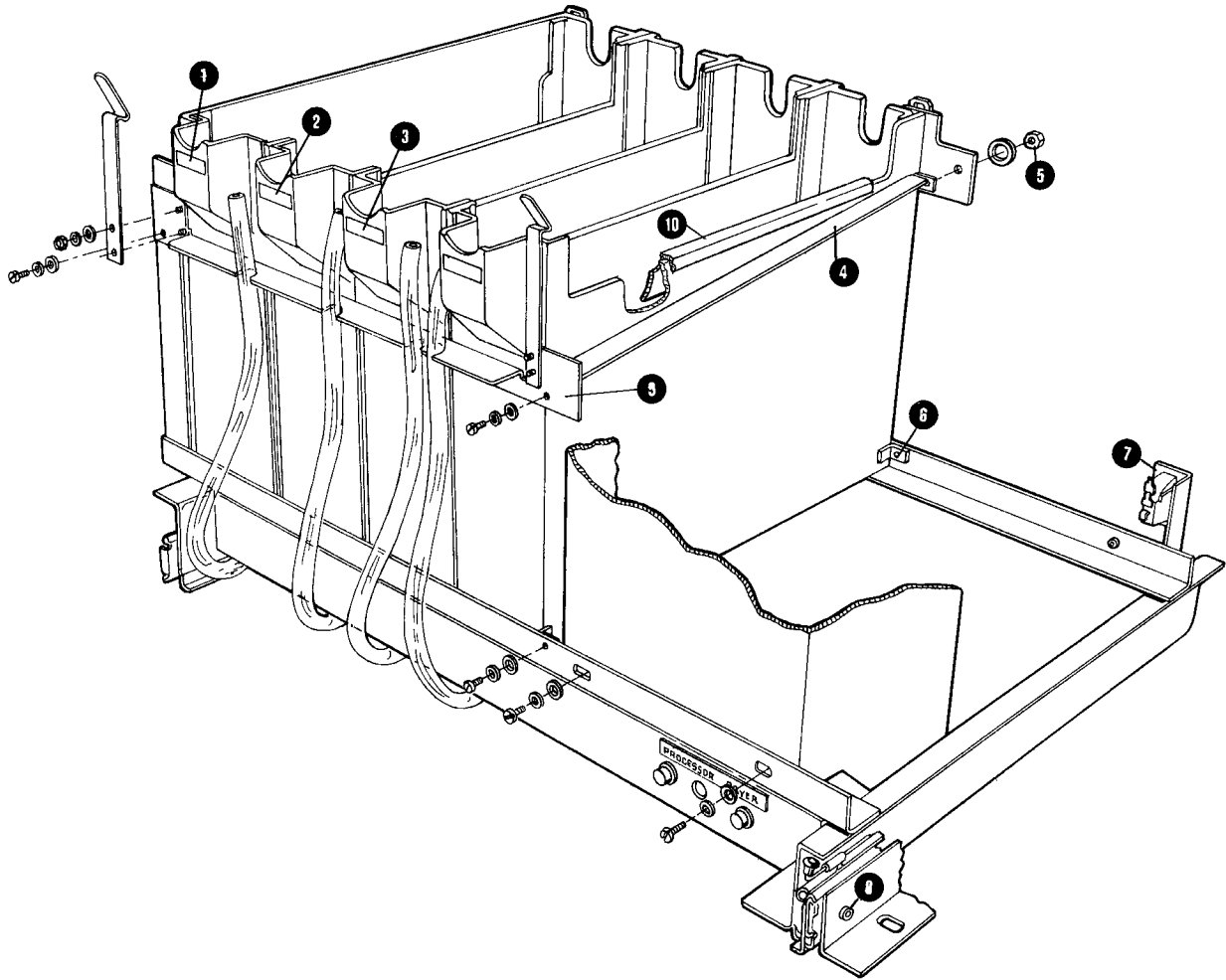
*NOTE: When replacing the temperature control, if the existing temperature head is 2" in length order a terminal cover (Item #1)

NEW CONFIGURATION



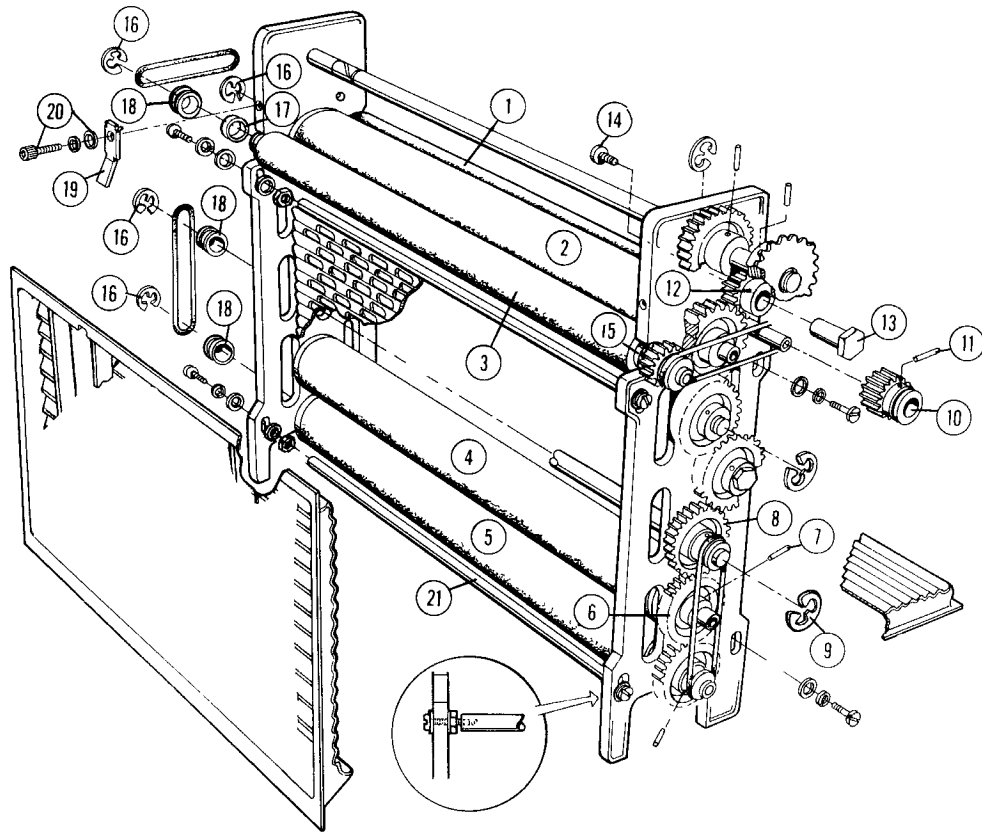
REF.	DESCRIPTION	PART NO.	QTY.	REF.	DESCRIPTION	PART NO.	QTY.
1	Angle Screw Washer Lock Washer	19514401 H0472100 H0156300 H0155100		7	Hose	40161430	
2	Slide - R.H. Slide and Latch - L.H.	19248701 19724101		8	Spring	19524601	
3	Label	19203801		9	Nut Washer Washer	H0144100 H0155000 H0156400	
4	Screw Washer Washer	H0465300 H0156000 H0155200		10	Screw Washer Washer	H0065400 H0156400 H0155000	
5	Screw Washer Washer	H0465300 H0156000 H0155200		11	Cover	19541201	
6	Screw Washer Washer	H0065400 H0156400 H0155000		12	Coextruded Turnaround Nut Washer Washer	20439101 H0144500 H0156500 H0155700	
				13	Rear Exit Guide	20363901	
				NS	Front Exit Guide	20363902	
				NS	Nut Plate Screw Washer Washer	19827801 H0585200 H0156500 H0155700	
				14	Indicator	20192301	

NOTICE: THIS CONTAINS CONFIDENTIAL INFORMATION AND IS THE PROPERTY OF XEROX CORPORATION. REPRODUCTION OR TRANSMISSION OF THIS INFORMATION IN ANY FORM OR BY ANY MEANS WITHOUT THE WRITTEN CONSENT OF XEROX CORPORATION IS PROHIBITED.



REF.	DESCRIPTION	PART NO.	QTY.	REF.	DESCRIPTION	PART NO.	QTY.
1	Label, Developer	19570701		5	Nut	H0144400	
2	Label, Fixer	19570801			Washer	H0155200	
3	Label, Water	19570901			Washer	H0156000	
4	Tank Retainer Bar	19554201		6	Tank Retainer Clip	19530301	
				7	Switch Bracket	19512301	
				8	Screw	H0472100	
					Washer	H0156300	
					Lock Washer	H0155100	
				9	Bracket	19513801	
				NS	Hose Clamp	09193105	
				10	Stiffener	20236401	

Roller Frame

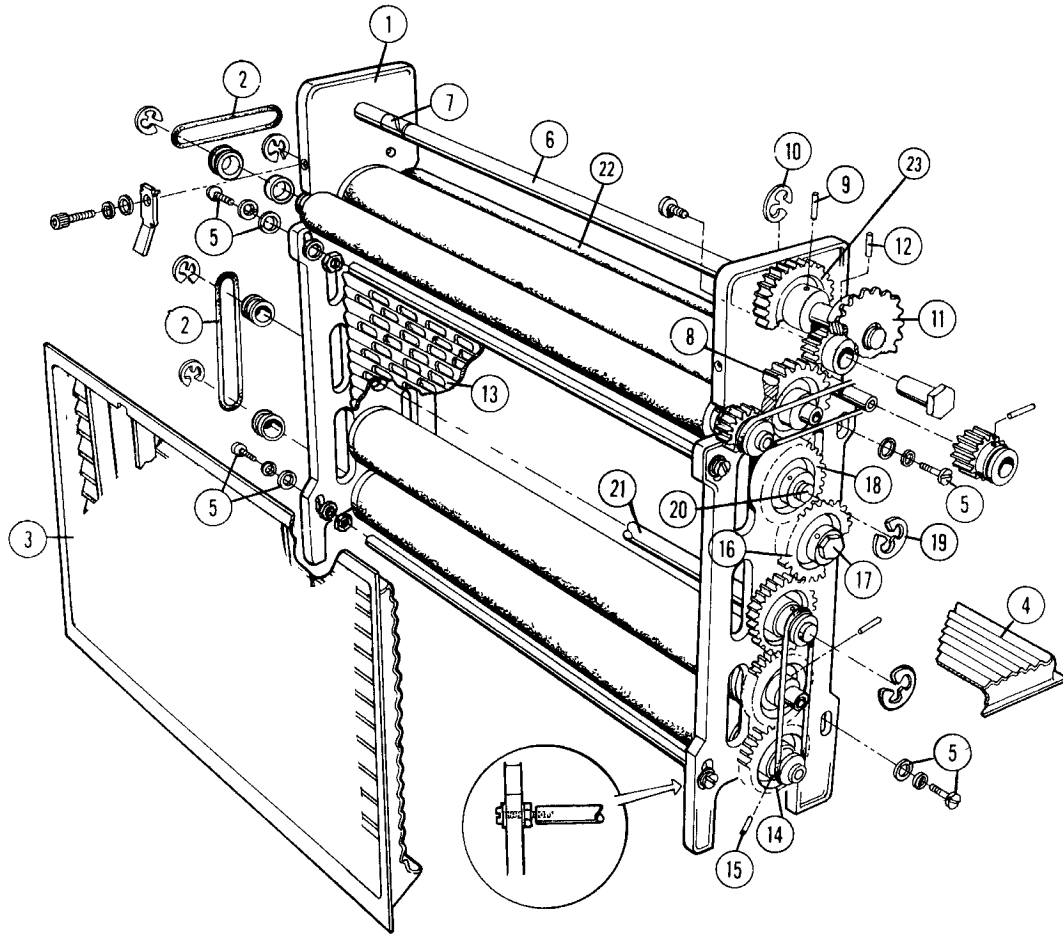


REF.	DESCRIPTION	PART NO.	QTY.	REF.	DESCRIPTION	PART NO.	QTY.
Roller Frame for 2nd Wash - 19252602				7	Pin	H0509300	
1	Roller (Plastic)	19247901		8	Gear	19246801	
2	Roller (Rubber)	20307301		9	Clip	H0933000	2
3	Roller (Rubber)	19259501		10	Gear	19246701	2
Roller Frame for Developer - 19252603				11	Pin	H0507500	2
1	Roller (Rubber)	19259501	2	12	Gear	19243601	
2	Roller (Plastic)	19300202		13	Idler Stud	19242701	
3	Roller (Plastic)	19247901		14	Screw Washer Washer	H0465300 H0880900 H0882300	
Roller Frame for Fixer & 1st Wash - 19252601				15	Bearing	19265102	
1	Roller (Plastic)	19247901		16	Clip	H0933000	4
2	Roller (Plastic)	19300202		17	Bearing	19265101	
3	Roller (Plastic)	19247901		18	Pulley	19242801	3
4	Roller (Plastic)	19300202		19	Pressure Bracket	19718901	2
5	Roller (Plastic)	19300202		20	Screw Washer Washer	H0275900 H0155100 H0156300	2 2 2
6	Gear	19246901		21	Tie Rod	19599501	4

NOTICE: THIS DOCUMENT CONTAINS CONFIDENTIAL INFORMATION AND IS UNCLASSIFIED IN FULL OR PARTIAL BY THE NATIONAL ARCHIVES AND RECORDS ADMINISTRATION ON BEHALF OF THE NATIONAL ARCHIVES. FOR MORE INFORMATION, CONTACT THE NATIONAL ARCHIVES AT 8601 COLLEGE PARK DRIVE, COLLEGE PARK, MD 20740 OR BY TELEPHONE AT 1-800-547-7392.

Revised 1/88

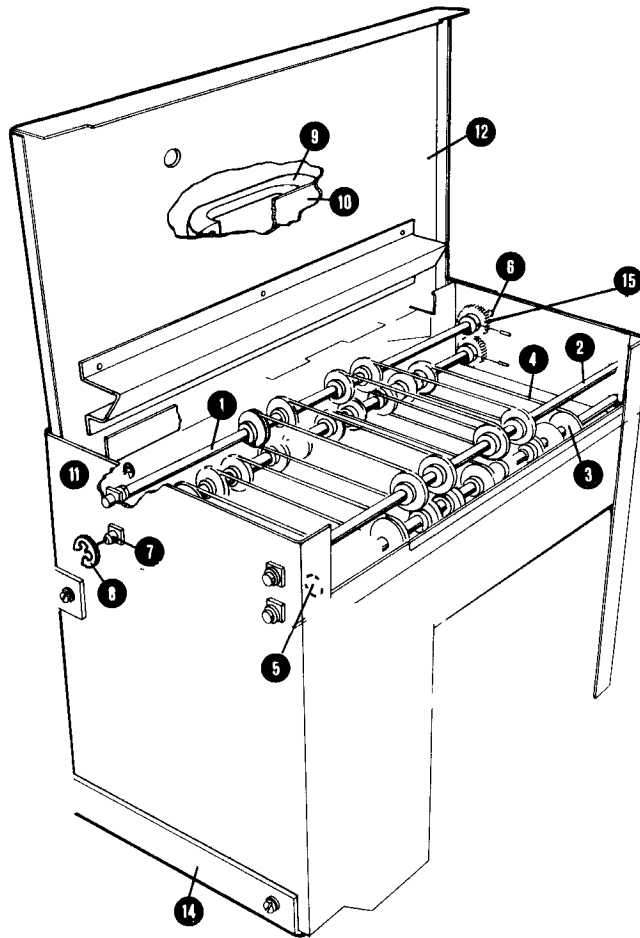
Roller Frame



REF.	DESCRIPTION	PART NO.	QTY.	REF.	DESCRIPTION	PART NO.	QTY.
1	Bearing Plate	19293601	2	11	Sprocket	09744583	
2	"O" Ring	09729507	4	12	Pin	H0509300	
3	Side Guide (Exit)	19599301		13	Inner Guide Assembly	20529001	2
4	Side Guide (Input)	19599201		14	Gear	19246801	
5	Screw	H0003900	8	15	Pin	H0507500	
	Washer	H0156400	16	16	Gear	19246901	
	Washer	H0155000	8	17	Idler Stud	19242701	
	Nut	H0144100	8		Screw	H0465300	
6	Shaft	19547701			Washer	H0880900	
7	Nyliner	40141118	2		Washer	H0882300	
8	Gear	19246901		18	Gear	19246901	
9	Pin	H0509300		19	Clip	H0933000	
10	Clip	H0933000		20	Shaft	19245601	
				21	Shaft	19246001	
				22	Stainless Steel Roller	20424701	
					Gear	20424601	
					Pin	H0507500	
				23	Gear	19246901	

NOTICE: THIS DOCUMENT CONTAINS CONFIDENTIAL, PROPRIETARY AND NON-PUBLIC INFORMATION OF ITEX GRAPHIX CORP. DUPLICATION OR REPRODUCTION (IN WHOLE OR IN PART) OR DISCLOSURE (IN WHOLE OR IN PART) TO UNAUTHORIZED PERSONS WITHOUT THE PRIOR WRITTEN CONSENT OF ITEX GRAPHIX CORP. GRAPHIC SYSTEMS DIVISION IS PROHIBITED.

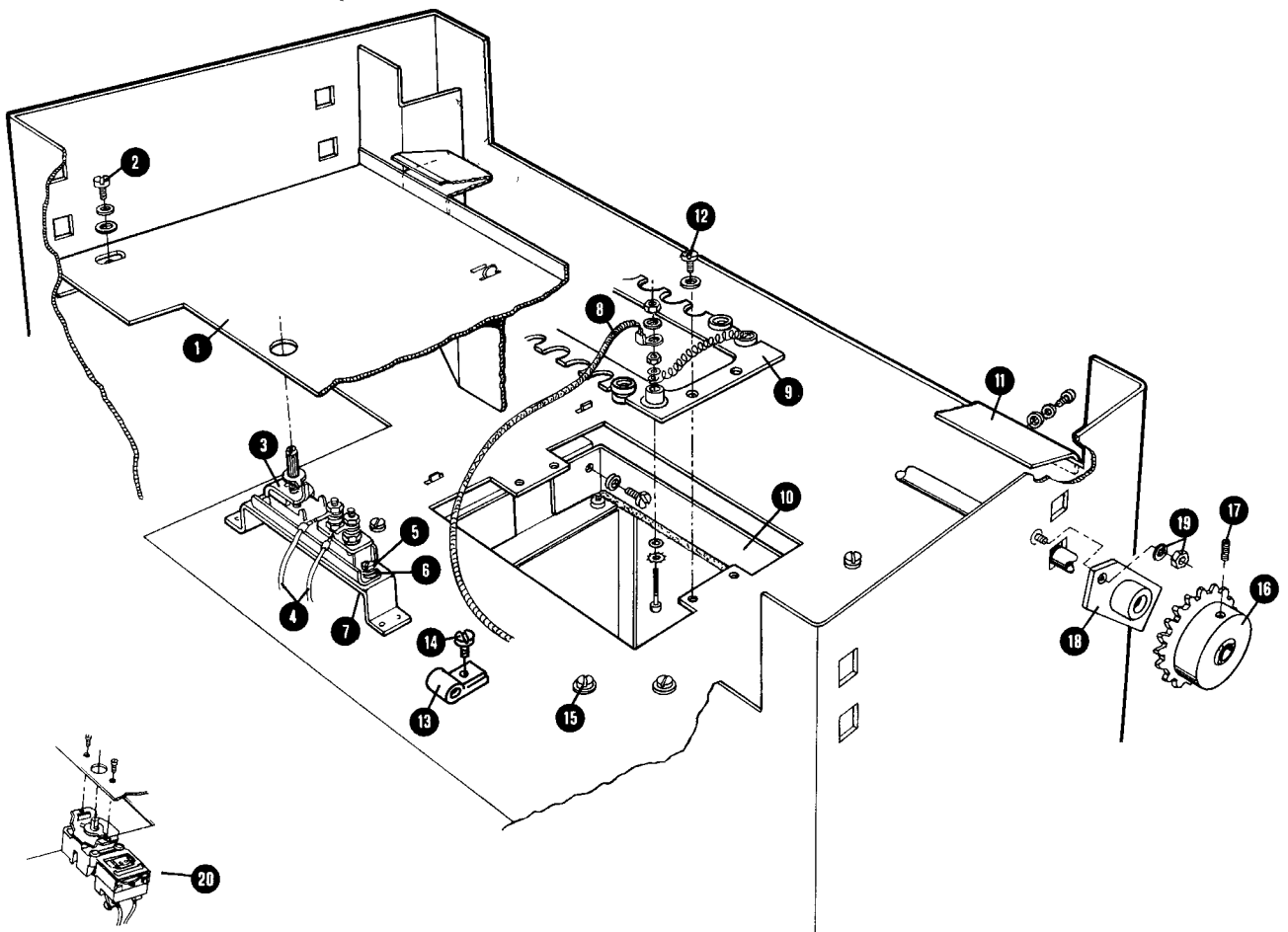
Revised 8/87



REF.	DESCRIPTION	PART NO.	QTY.	REF.	DESCRIPTION	PART NO.	QTY.
1	Upper Exit Shaft Assy	19520301		10	Plate	19653201	
2	Upper Inlet Shaft Assy	19520201		11	Bracket	19590901	
3	Lower Exit Shaft Assy	19520001			Screw	H0470200	
4	"O" Ring	19511301			Washer	H0158300	
5	Washer	H0156300		12	Cover	20161001	
	Washer	H0155100		14	Dryer Angle	19561001	
	Screw	H0471900		15	Gear	19575801	
6	Bearing	09787800			Pin	H0507500	
7	Lower Inlet	19520101					
8	Clip	H0932800					
9	Handle	19531401					
	Screw	H0465400					
	Washer	H0156000					
	Washer	H0155200					

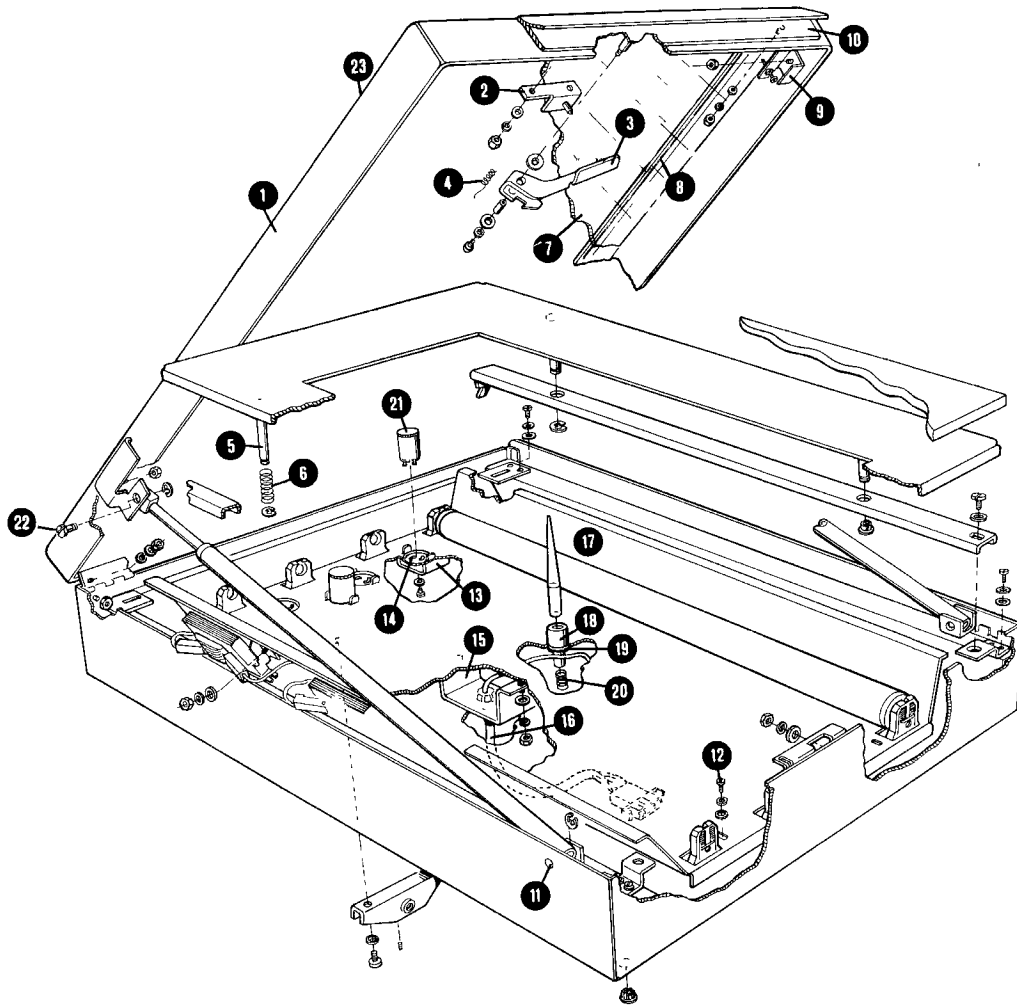
NOTICE: THIS CONTAINS CONFIDENTIAL, PROPRIETARY AND NON-PUBLIC INFORMATION OF ITEX GRAPHIX CORP. DUPLICATION OR REPRODUCTION IN WHOLE OR IN PART OR DISCLOSURE HEREOF TO UNAUTHORIZED PERSONS WITHOUT THE PRIOR WRITTEN CONSENT OF ITEX GRAPHIX CORP. GRAPHIC SYSTEMS DIVISION IS PROHIBITED.

Revised 1/88

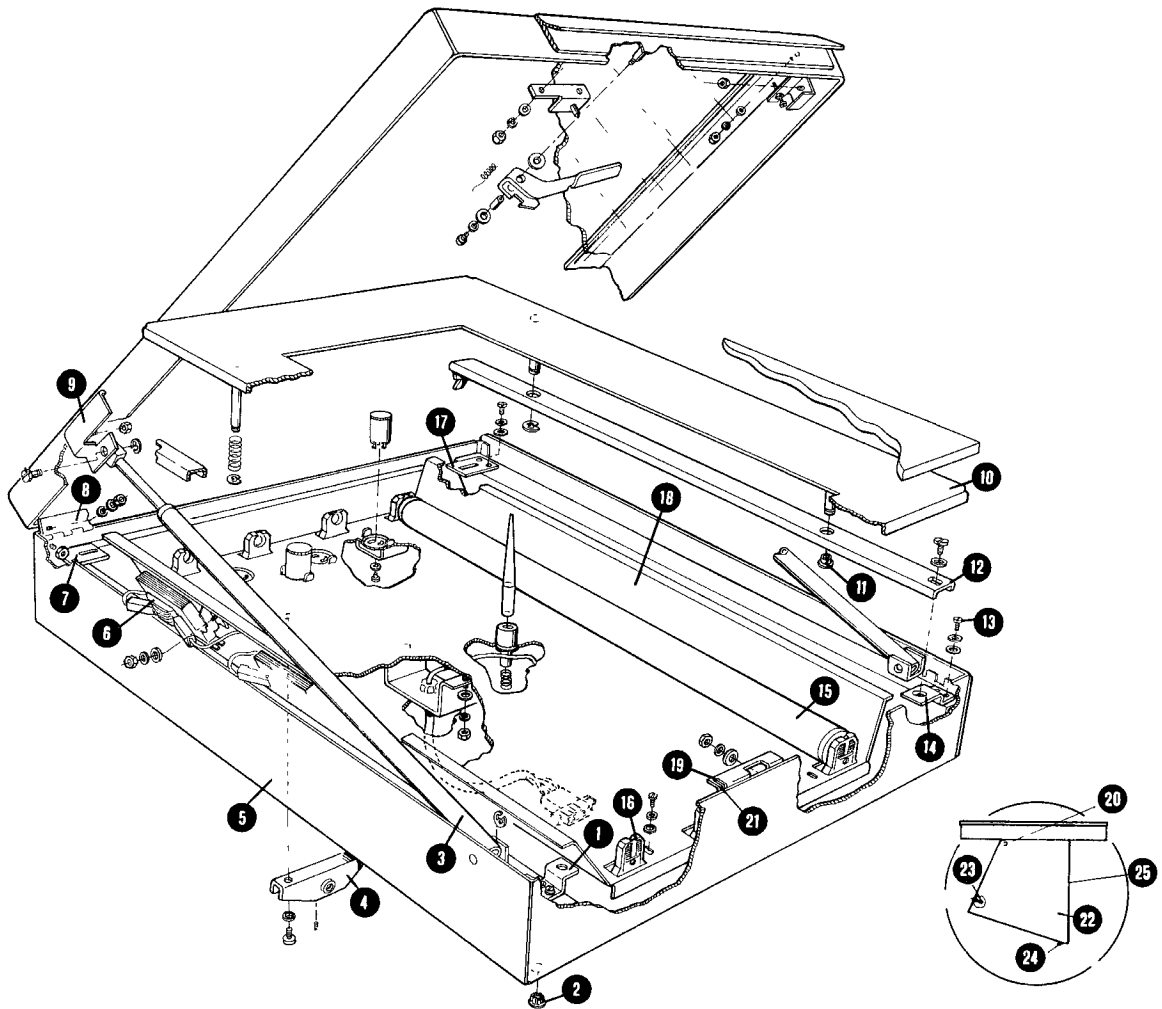


REF.	DESCRIPTION	PART NO.	QTY.	REF.	DESCRIPTION	PART NO.	QTY.
1	Baffle	19519501		13	Clip	E0225800	
2	Washer	H0156300		14	Screw	H0263300	
	Lock Washer	H0155100			Washer	H0156400	
	Screw	H0471900			Washer	H0155000	
3	Temperature Control	19502601		15	Screw	H0586000	
4	Temperature Wire Assy	19548301			Washer	H0156300	
5	Screw	H0470200			Washer	H0155100	
6	Washer	H0155000		16	Gear	09744579	
7	Nut	H0144100		17	Set Screw	H0324100	
8	Wire Assembly	19847501		18	Bearing Plate Assembly	19507201	
9	Dryer/Heater Assembly (Hardware Included)	19530201			Screw	H0470200	
10	Blower Support	19543201			Washer	H0158300	
	Sponge	19530401		19	Nut	H0144200	
11	Guide (Bottom)	20233001			Washer	H0155100	
	Guide	19590901		20	New Dryer Thermostat	19634901	
	Mounting Screw	H0470200		NS	Shock Mount For Blower	09773400	
	Washer	H0158300			Assembly		
12	Screw	H0263400					

NOTICE: THIS CONTAINS CONFIDENTIAL, PROPRIETARY AND NON-PUBLIC INFORMATION OF ITEX GRAPHIX CORP. DUPLICATION OR REPRODUCTION IN WHOLE OR IN PART OR DISCLOSURE HEREOF TO UNAUTHORIZED PERSONS WITHOUT THE PRIOR WRITTEN CONSENT OF ITEX GRAPHIX CORP. GRAPHIC SYSTEMS DIVISION IS PROHIBITED.



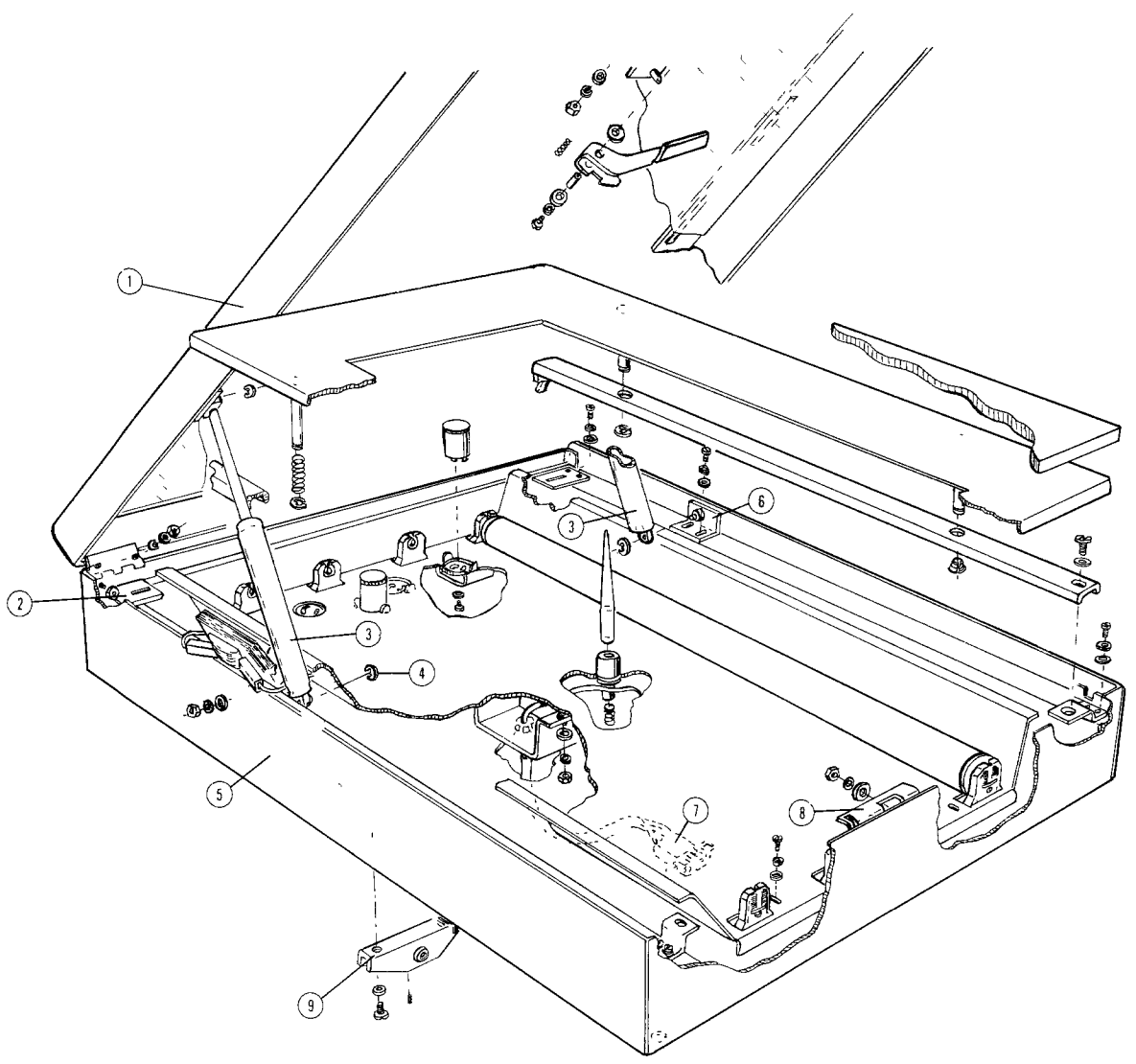
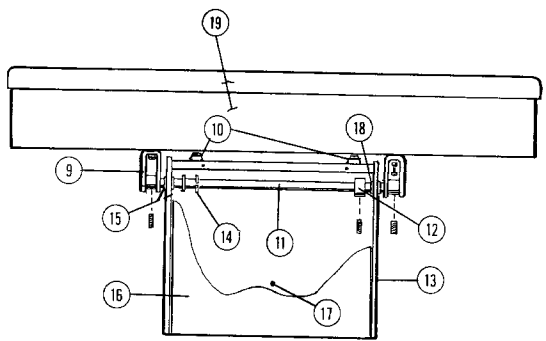
REF.	DESCRIPTION	PART NO.	QTY.	REF.	DESCRIPTION	PART NO.	QTY.
1	Cover Assembly	19478301		11	Arm Pin	19482701	
	Lock Washer	H0155200			Ring	H0933100	
	Nut	H0144400		12	Screw	H0472700	
	Screw	H0586600			Lock Washer	H0155100	
	Ring	H0933100		13	Starter Bracket	19482901	
	Loctite	H0880900 A/R		14	Starter Socket	19489701	
2	Guide Bracket Assy	19637501			Lock Washer	H0155000	
	Washer	H0190100			Screw	H0470400	
	Screw	H0584400		15	Bracket	19483001	
	Screw	H0156400			Strain Relief	08740202	
	Washer	H0156400			Lock Washer	H0155100	
	Lock Washer	H0155000			Nut	H0144200	
	Loctite	H0880900			Lock Washer	H0158400	
3	Release Lever	19544101		16	Harness Assy 60 Hz	19508201	
4	Spring	19272801			Harness Assy 50 Hz	19515001	
5	Copyboard Rod	19228001		17	Chart Support	19496801	
6	Spring	19239801		18	Hub	19482501	
	"C" Ring	H0933100		19	Ring	H0931200	
7	Glass (Cover)	19228801		20	Spring	19315301	
8	Tape	40151360		21	Starter	E0168400	
9	Copyboard Stop L H	19449201		22	Screw	H0586600	
	Copyboard Stop R H.	19449202			Clip	H0933100	
10	Handle Assembly	19544201			Stud	19430701	
	Lock Washer	H0155100		23	Cover Assembly	20358201	
	Screw	H0026200			(includes items 1, 7 & 8)		
	Nut	H0144100					
	Nut	H0144200					



REF.	DESCRIPTION	PART NO.	QTY.	REF.	DESCRIPTION	PART NO.	QTY.
1	Bracket	19483501		13	Washer	H0156300	
	Washer	H0156300			Lock Washer	H0155100	
	Lock Washer	H0155100			Screw	H0472100	
	Screw	H0472100		14	Bracket	19483501	
2	Plug	19492701		15	Bulb	19225201	
3	Arm Assembly	19225301		16	Socket	19016201	
4	Pivot Assembly	19489301		17	Support Plate	19500201	
	Washer	H0156200			Washer	H0156300	
	Lock Washer	H0155300			Lock Washer	H0155100	
	Screw	H0065500			Screw	H0472100	
	Set Screw	H0691200		18	Light Pan Assembly	19482301	
5	Copyboard Box Assy	19481901		19	Cover Keeper	19637601	
6	Ballast 60 Hz	19249201			Nut	H0122300	
	Ballast 50 Hz	19249101			Washer	H0156400	
	Washer	H0156300			Lock Washer	H0155000	
	Lock Washer	H0155100		20	Bearing	06754800	
	Nut	H0144200		NS	Pivot Stud	19596701	
7	Support Plate	19500201		21	Washer Plate	19636701	2
8	Cover Hinge	19501101		22	Copyboard Support Assy	19489801	
	Washer	H0156400		23	Screw	H0278100	
	Lock Washer	H0155000			Nut	H0144300	
	Nut	H0144100		24	Screw	H0065700	
9	Cover Bracket L H	19430801			Washer	H0156000	
	Cover Bracket R.H.	19430901			Nut	H0144400	
10	Diffuser Assembly	19478101		25	Rear Cover	19470901	
11	Nyliner Bearing	06754703					
12	Copyboard Support	19481601					

Revised 6/85

NOTICE: THIS CONTAINS CONFIDENTIAL, PROPRIETARY AND NON-PUBLIC INFORMATION OF Itek GRAPHIC CORP. DUPLICATION OR REPRODUCTION IN WHOLE OR IN PART FOR UNAUTHORIZED PERSONS WITHOUT THE PRIOR WRITTEN CONSENT OF Itek GRAPHIC CORP. GRAPHIC SYSTEMS DIVISION IS PROHIBITED.



135 A
 NOTICE: THIS CONTAINS CONFIDENTIAL, PROPRIETARY AND NON-PUBLIC INFORMATION OF ITEX GRAPHIX CORP. DUPLICATION OR REPRODUCTION (IN WHOLE OR IN PART) OR DISCLOSURE HEREOF TO UNAUTHORIZED PERSONS WITHOUT THE PRIOR WRITTEN CONSENT OF ITEX GRAPHIX CORP. GRAPHIC SYSTEMS DIVISION IS PROHIBITED.

COPYBOARD ASSEMBLY

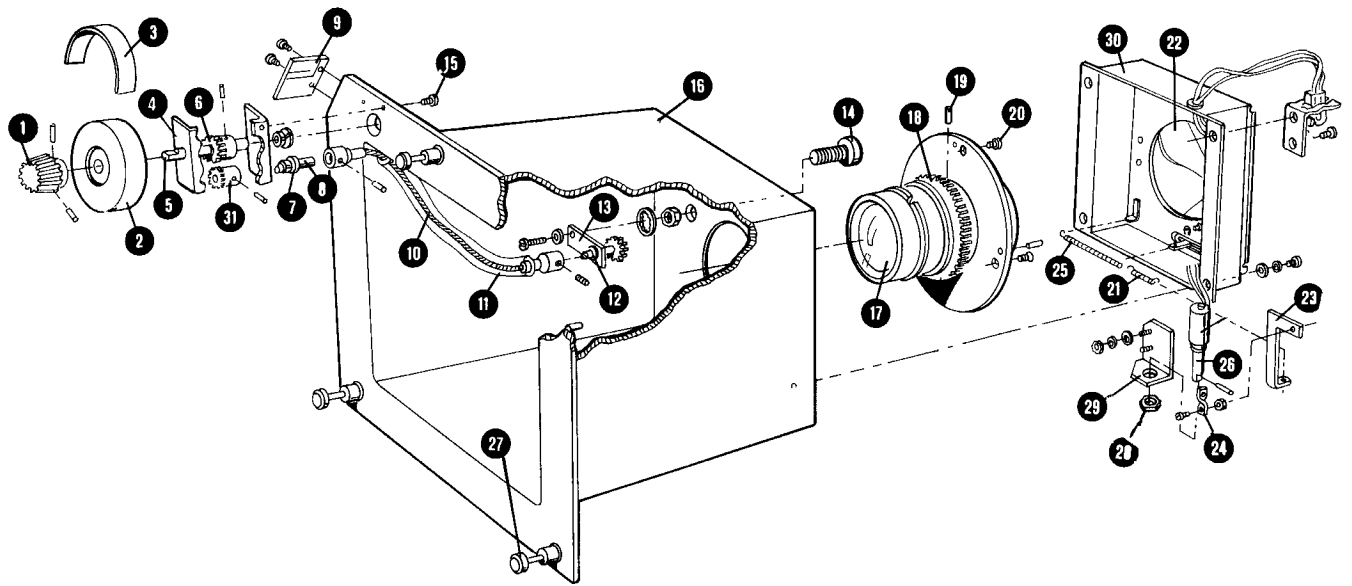
(S/N 4149 and Up)

REF.	DESCRIPTION	PART NO.	QTY.
1	Cover Assembly Complete	20392901	1
2	Support Plate	19500201	2
	Washer	H0156300	4
	Lock Washer	H0144100	4
	Screw	H0472100	4
3	Counter Balance (Pnuematic)	20100601	2
4	"E" Ring	H0933100	4
5	Copybox Assembly	20393601	1
6	Pivot Bracket	20393001	2
	Screw	H0586000	4
	Lock Washer	H0155100	4
	Washer	H0156300	4
7	Connector	40123013	1
8	Cover Keeper	19637601	1
	Nut	H0123200	2
	Washer	H0156300	2
	Lock Washer	H0155100	2
9	Pivot Assembly	19673201	2
	Washer	H0156200	4
	Lock Washer	H0155300	4
	Screw	H0065500	4
	Set Screw	H0691200	4
10	Bumper	19598801	2
	Screw	H0584400	1
11	Shaft	20435201	1
12	Collar	08910600	1
	Set Screw	H0116200	2
13	Copyboard Support Assembly	19489801	1
14	"E" Ring	H0933000	1
15	Nyliner	06754800	1
16	Rear Cover	19470901	1
17	Screw (Keystone Adjust)	H0278100	1
	Nut	H0144300	1
18	Bearing	06754800	1
19	Copyboard Assembly Complete 60Hz	20396401	
	Copyboard Assembly Complete 50Hz	20396402	
NS	Chart	19660701	

NOTE: Item 19 is a direct replacement for any 1400 series copyboard. Revised 1/88

135B

NOTICE: THIS CONTAINS CONFIDENTIAL, PROPRIETARY AND NON-PUBLIC INFORMATION OF ITEK GRAPHIX CORP. DUPLICATION OR REPRODUCTION (IN WHOLE OR IN PART) OR DISCLOSURE HEREOF TO UNAUTHORIZED PERSONS WITHOUT THE PRIOR WRITTEN CONSENT OF ITEK GRAPHIX CORP. GRAPHIC SYSTEMS DIVISION IS PROHIBITED.

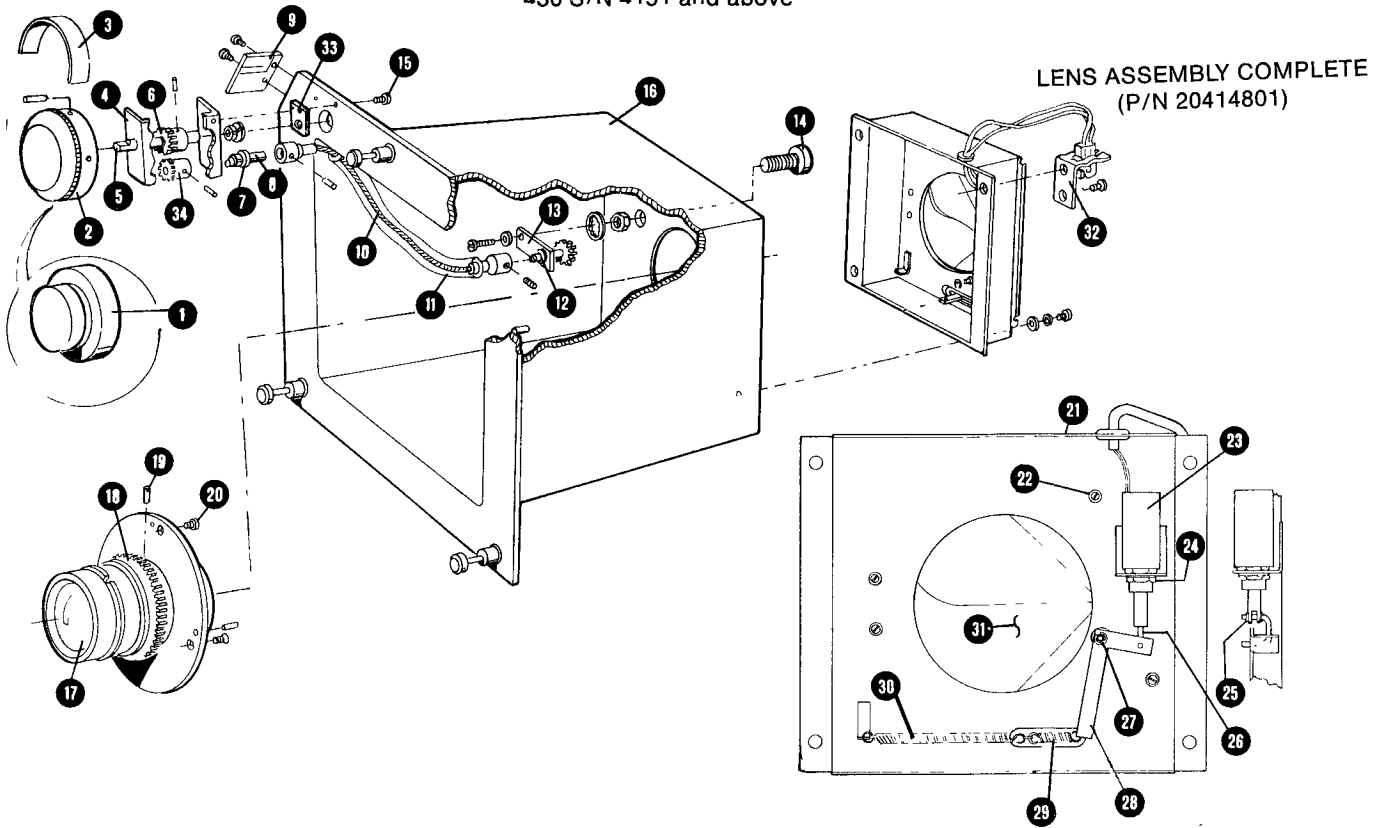


*Note. Items #16 and #17 are no longer available. If either Items #16 or #17 of any 435 or 430 before S/N 4151 have to be replaced, the lens assembly complete (P/N 20414801) and aperture scale (P/N 20421501) must be ordered

REF.	DESCRIPTION	PART NO.	QTY.	REF.	DESCRIPTION	PART NO.	QTY.
1	Knob	09736801		*16	Lens Casting Assembly	19596001	
	Set Screw	H0077400		*17	12" Lens	19234901	
2	Scale Drum	19216701		18	Lens Gear	19217501	
3	Aperture Scale	19301301		19	Pin	H0115900	
4	Gear Bracket	19216601		20	Screw	H0065400	
5	Shaft	19217701		21	Spring	19255401	
6	Drive Gear	19216901		22	Shutter Blade Assembly	19633301	
	Pin	H0513800			Blades Only	19625801	
7	Bearing	06754703	4	23	Link	19255801	
8	Shaft	19217801		24	Link	19255301	
9	Pointer Scale	19217601		25	Spring	19255501	
	Screw	H0470600		26	Shutter Solenoid	19290501	
10	Flexible Shaft	19217401		27	Solenoid	19251201	
	Screw	H0113200	2	28	Solenoid Nut	H0880900	
11	Sleeving	07469200		29	Bracket	19255701	
12	Plastic Washer	07133714		30	Shutter Box Assembly	19626001	
13	Pivot Gear Assembly	19217901			Shutter Box Assy (complete)	19668401	
	Screw	H0472100		31	Knob Gear	19216801	
	Lock Washer	H0155100			Pin	H051400	
14	Screw	19217001					
	Washer	H0154900					
	Lock Nut	H0136000					
15	Screw	H0036700					

NOTICE: THIS CONTAINS CONFIDENTIAL, PROPRIETARY AND NON-PUBLIC INFORMATION OF ITEX GRAPHIX CORP. REPRODUCTION OR REPRODUCTION (IN WHOLE OR IN PART) OR DISCLOSURE HEREOF TO UNAUTHORIZED PERSONS WITHOUT THE PRIOR WRITTEN CONSENT OF ITEX GRAPHIX CORP. GRAPHIX SYSTEMS DIVISION IS PROHIBITED.

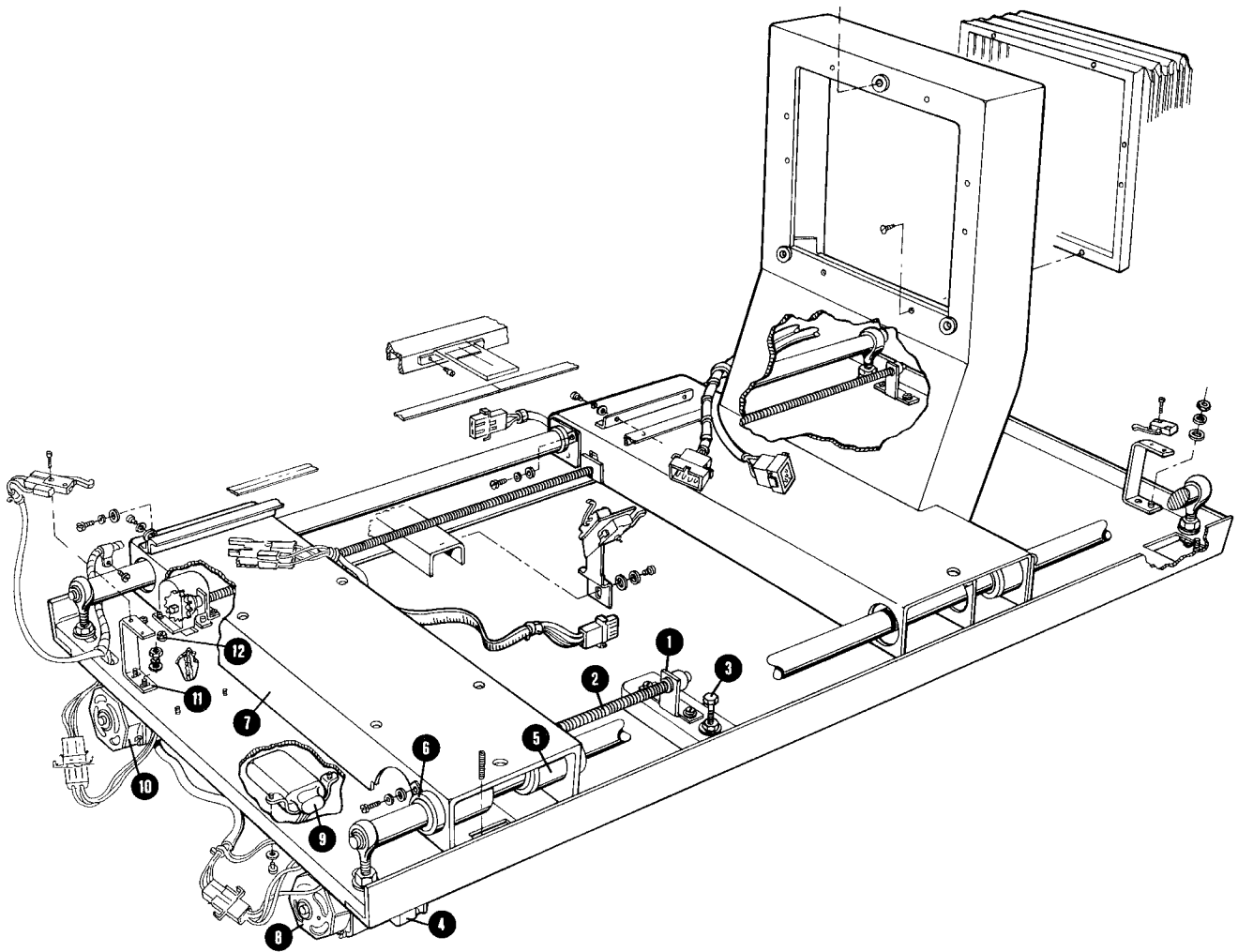
SHEET METAL HOUSING STYLE
430 S/N 4151 and above



Note: Items 21 - 31 are the Shutter Box Assembly Complete Part No. 19668401.

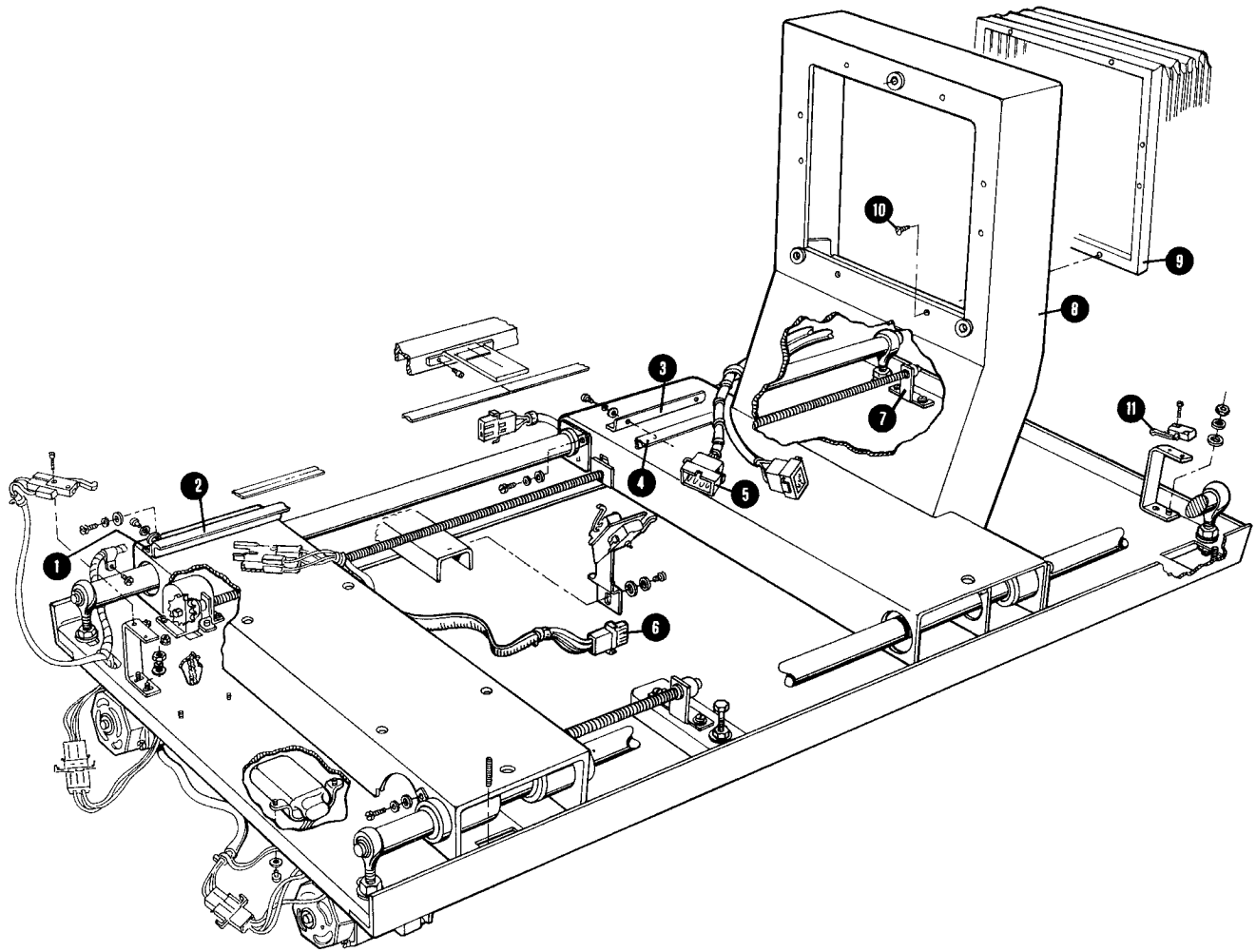
REF.	DESCRIPTION	PART NO.	QTY.	REF.	DESCRIPTION	PART NO.	QTY.
1	Old Knob	19310101		16	Sheet Metal Lens Mounting Assy.	20414701	
2	Scale Drum and Knob	19680101		17	305mm Lens	20517302	
3	Aperture Scale	20421501		18	Lens Gear	19217501	
4	Gear Bracket	19523201		19	Pin	H0115900	
5	New Shaft	19682001		20	Screw	H0471600	3
6	Drive Gear	19216901			Set Screw	H0113500	3
	Pin	H0513800		21	Shutter Box Assembly	19626001	
7	Bearing	06754703		22	Lock Washer	H0155700	4
8	Shaft	19217801			Screw	H0586100	4
9	Pointer Scale	19217601		23	Solenoid Assembly	19290501	
	Screw	H0680600		24	Hex Nut	H0136100	
10	Flexible Shaft	19217401		25	Retaining Ring	H0930700	2
	Screw	H0113200		26	Solenoid Link	19862801	
11	Sleeving	07469200		27	Retaining Ring	H0932900	
12	Plastic Washer	07133714		28	Link	19848301	
13	Pivot Gear Assembly	19217901		29	Spring Extension	19255401	
	Screw	H0472100		30	Spring Extension	19255501	
	Lock Washer	H0155100		31	Shutter Assembly Blades Only	19625801	
14	Screw	19217001		32	Bracket	20390201	
	Lock Washer	H0154900			Lock Washer	H0155100	
	Lock Nut	H0136000			Screw	H0471900	
15	Screw	H0014000		33	Spacer	19521401	
				34	Knob Gear	19216801	
					Pin	H0514000	

Revised 3/88

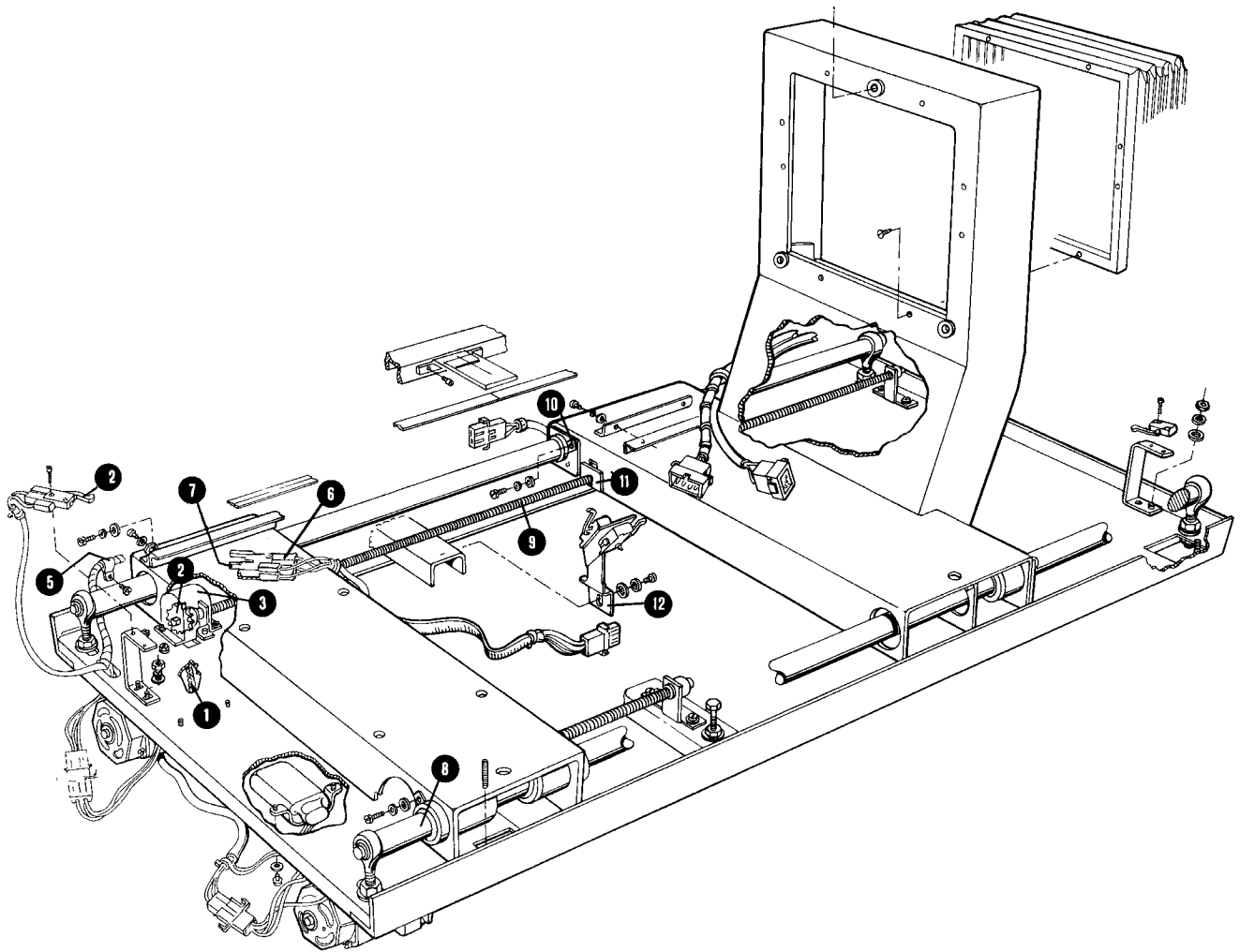


REF.	DESCRIPTION	PART NO.	QTY.	REF.	DESCRIPTION	PART NO.	QTY.
1	Bearing Bracket Assy	19445001		7	Copyboard Carriage Assembly	19499701	
	Washer	H0155200		8	Motor Assembly	19299601	
	Screw	H0465300		9	Capacitor	08701026	
2	Screw	19540901			Washer	H0155000	
3	Screw	H0683000			Screw	H0470400	
	Lock Washer	H0155300		10	Motor Assembly	19299601	
	Washer	H0156200		11	Switch Bracket Assy	19492301	
	Nut	H0144300			Washer	H0156900	
4	Motor Bracket Assy	19239001			Washer	H0155200	
5	Ball Bushing	19225801			Nut	H0144400	
6	Bushing Retainer	19459201		12	Washer	H0156200	
	Washer	H0156000			Lock Washer	H0155300	
	Washer	H0155200			Nut	H0145400	
	Screw	H0465300					

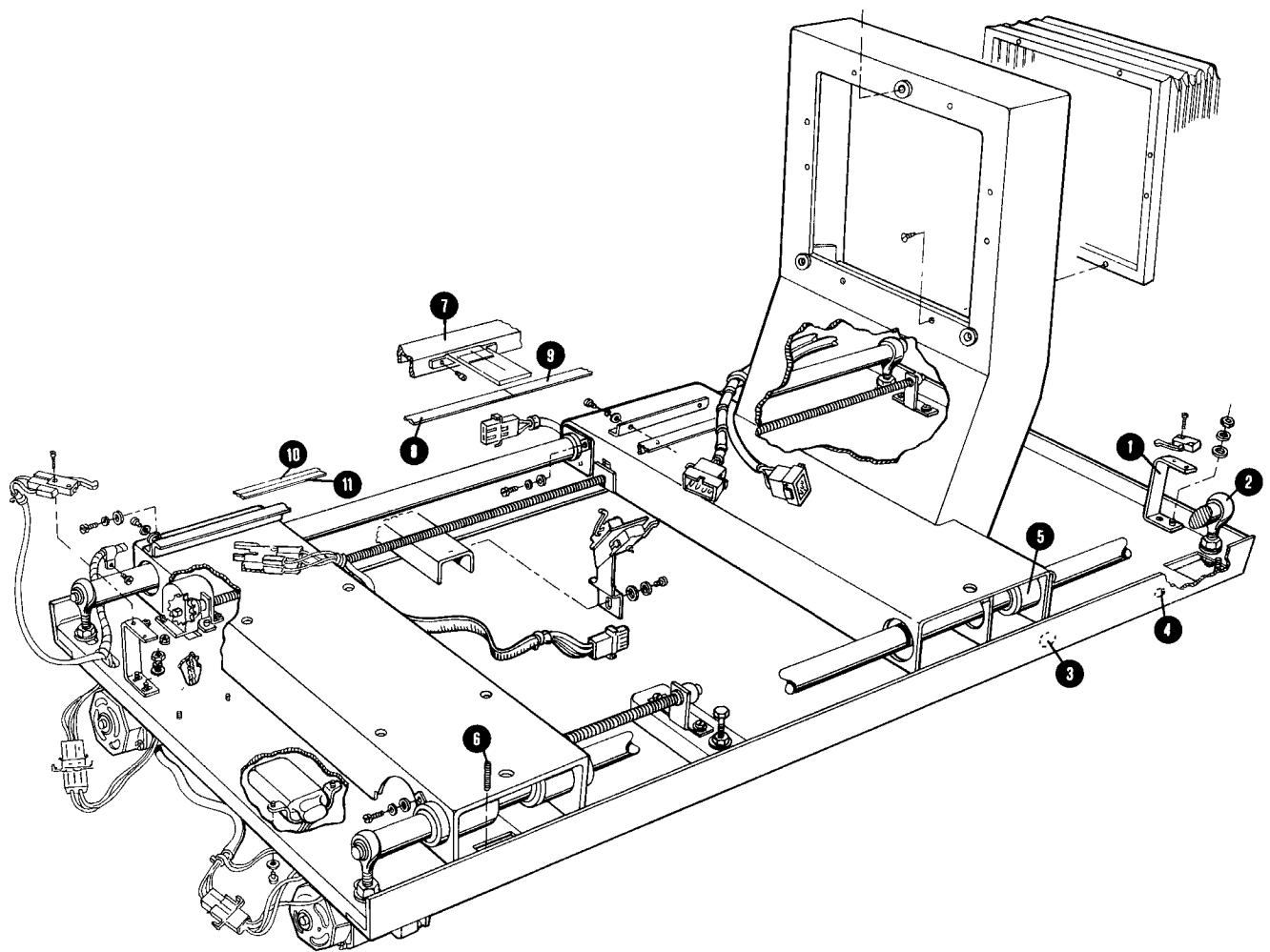
NOTICE: THIS CONTAINS CONFIDENTIAL, PROPRIETARY AND OTHER UNLAWFUL INFORMATION OF ITEX GRAPHIX CORP. DUPLICATION OR REPRODUCTION WITHOUT ITEX PARTIAL OR DISCLOSURE THEREOF TO UNAUTHORIZED PERSONS WITHOUT THE PRIOR WRITTEN CONSENT OF ITEX GRAPHIX CORP. GRAPHIC SYSTEMS DIVISION IS PROHIBITED.



REF.	DESCRIPTION	PART NO.	QTY.	REF.	DESCRIPTION	PART NO.	QTY.
1	Scale Mounting Bracket	19240101		5	Harness Assembly	19540801	
	Washer	H0155200		6	Harness Assembly	19540801	
	Washer	H0156000		7	Bearing Bracket Assy	19445001	
	Screw	H0465400			Washer	H0155200	
2	Copyboard Scale	19532702			Screw	H0465300	
	Angle Assembly			8	Lens Carrier Assy	19508501	
	Washer	H0155200		9	Bellows	19218001	
	Washer	H0156000		10	Screw	H0106200	
	Screw	H0465400		11	Switch	19057401	
3	Scale Mounting Bracket	19240101			Screw	H0585500	
	Washer	H0155200					
	Washer	H0156000					
	Screw	H0465400					
4	Lens Scale Angle Assy	19532602					
	Washer	H0155200					
	Washer	H0156000					
	Screw	H0465400					



REF.	DESCRIPTION	PART NO.	QTY.	REF.	DESCRIPTION	PART NO.	QTY.
1	Chain	40144656		8	Shaft	19237901	
2	Upper Gear	09744505		9	Screw	19459401	
	Screw	H0116700		10	Bushing Retainer	19459201	
NS	Lower Gear	06796400			Washer	H0156000	
	Screw	H0113100			Washer	H0155200	
3	Sprocket Cover	19314501			Screw	H0465300	
	Screw	H0470400		11	Nut Block	19459301	
4	Switch	19057401		12	Switch Bracket Assy	19591301	
	Screw	H0585500			Washer	H0156300	
5	Cable Clamp	E0155200			Lock Washer	H0155100	
	Screw	H0471900			Screw	H0472100	
6	Switch	19299401					
	Screw	H0585100					
7	Switch	01094600					



REF.	DESCRIPTION	PART NO.	QTY.	REF.	DESCRIPTION	PART NO.	QTY.
1	Switch Bracket Assy	19492301		5	Ball Bushing	19225801	
	Washer	H0155900		6	Clamp	01376101	2
	Washer	H0155200			Clamp	H0471900	
	Nut	H0144400			Screw	H0182500	
2	Rod End	19237801			Clamp	H0471900	
	Nut	H0146100			Screw	E0155200	
	Washer	H0190500			Clamp	H0471900	
	Locktite	H0880900		7	Pointer Assembly	19240201	
	Primer	H0882300			Screw	H0263300	
3	Clamp	E0155200		8	Scale	19289804	
	Screw	H0471900		9	Scale	19289803	
4	Clamp	E0155200		10	Scale	19289801	
	Screw	H0471900		11	Scale	19289802	

1

2

3

- Check vacuum motor and operation of vacuum controller. Adjust for transport and exposure vacuum. Refer to Tech. Manual for procedure.
- Clean and inspect transfer guide.
- Check cables (print length, center, cut) for frays, kinks, etc. Replace if necessary. Refer to Tech. Manual for replacement procedure.

ELECTRICAL

DESCRIPTION OF 430 TURN-ON

Turn on CB-1 (Line 102), the power lamps (Line 107) are lit.

K2 relay (Line 132) is energized through all the sequencer switches (506 through 501).

Assuming that the 430 is being turned on for its initial start-up, the processor heater (Line 301) will be turned on, and the relay K12 (Line 303) will be energized at the same time through normally closed contacts 8 & 9 of relay K14 (Line 302). After K12 is energized, its now closed contacts 12 & 13 (Line 303) will latch it in. It will stay latched until the temperature reaches 95°.

After 2 seconds from turn-on, the time delay module A3 (Line 104) will allow K14 (Line 104) to be energized. Its contacts 12 & 13 (Line 105) will latch K14 in. Its contacts 8 & 9 (Line 302) will open, preventing the READY LIGHT (Line 108) from cycling on and off when the processor heater is keeping the temperature at the proper setting. (K12 cannot energize unless K14 contacts 8 & 9 are closed.)

Once the temperature is up, K12 is de-energized and its contacts 8 & 9 (Line 114) close, and allow a path through K2's now closed contacts 9 & 10 (Line 113), through the HOME LIMIT SW (Line 118), if the transport is at the Home position), through the K12 contacts, and through relay K10 contacts 14 & 15 (Line 114) to energize relay K7 (Line 114).

When K7 is energized, a path through its now closed contacts 12 & 13 (Line 109), and through relay K8 normally closed contacts 14 & 15 (Line 109) allows the READY LIGHT (Line 108) to come on.

If the 430 is not used for a period of 5 minutes, the time delay module A1 times out, and allows relay K13 (Line 113) to energize.

K13 contacts 12 & 13 (Line 112) close and latch the relay. K13 contacts 8 & 9 (Line 308) normally closed, open and remove power from the processor motor (Line 308) which will stay off until you start the 430 cycle.

*Starting with S/N 131, the dryer fan will be wired direct. Processor motor will remain the same as S/N's 101 through 130.

Revised 2/87

Page 71

DESCRIPTION OF CYCLE, WITH AUTO SWITCH ON - 430 C/P

(To be used with the ladder diagram Line 101 to 321)

SEQUENCE START

Push either start button, K8 (Line 111) is energized.

K8 contacts 14 & 15 (Line 109) open. Ready light goes out
K8 contacts 15 & 16 (Line 110) close. K8 is latched through
K17-N.C. 5 & 6 (Line 110) and K7-closed 12 & 13 (Line 109).
K8 contacts 9 & 10 (Line 128) close and sequencer motor is
started through closed contact 9 & 10 of K7 (line 128).

SEQUENCER SWITCH 501 TRANSFERS

Power to keep Sequencer running is now supplied through
all the Sequencer switches - 506 through 501.

When 501 transfers, power for energizing K2 (Line 132) through
K18-N.C. 11 & 12 (Line 132) is removed, and K2 is de-energized.

K2-11 & 12 close and 12 & 13 open (line 231) causing the vacuum
motor to operate in LOW.

K2-9 & 10 open (Line 113) and K7 (Line 114) - through K10 N.C. 14
& 15 (Line 114), K12 N.C. 8 & 9 (Line 114), and the HOME switch
actuated position, de-energizes.

K7 9 & 10 (Line 128) open and disable 1 path to the sequencer.
The sequencer runs until 502 transfers.

SEQUENCER SW. 502 TRANSFERS

The path for the sequencer is broken, and the motor stops.

K1 (Line 133) is now energized.

K1 contacts 15 & 16 (Line 118) close. This starts the transport
motor through the FEED LIMIT SW (Line 118) and K17-N.C. 8 & 9
(Line 117). [Below S/N 992 the K17-N.C. contacts are 14 & 15
(Line 23).] K1-12 & 13 (Line 123) close and energizes the FEED CLUTCH
(Line 124) from the DC rectifier (Line 123) through K17-N.C. 8 & 9
(Line 117). [Below S/N 992, the K17-N.C. contacts are 14 & 15 (Line 23).]

MATERIAL IS FED OUT ONTO THE TRANSPORT.

CONTINUES TO FEED UNTIL THE "FEED LIMIT SWITCH" IS ACTUATED.

FEED LIMIT SWITCH IS ACTUATED.

Revised 2/87

Page 72

When the switch goes the other way, it breaks the path for the Transport Motor (Line 117) and it stops.

The sequencer is now started through the FEED LIMIT SW. (Line 118) and back through sequencer sw. 501 (line 132).

The sequencer makes 502 transfer back and relay K1 is de-energized. K1-12 & 13 (Line 123) open and de-energize the FEED CLUTCH (Line 124).

K1-15 & 16 (Line 118) open, breaking 1 path for the Sequencer. Sequencer continues to run through its switches until 503 transfers (Line 135).

SEQUENCER SWITCH 503 TRANSFERS

When 503 transfers, it breaks the path to run the sequencer but at the same time, K16 (Line 127) is energized through the NO MATERIAL SW. (Line 125).

K16-N.O. 12 & 13 (Line 134) close and the sequencer runs through this path. At the same time, the knife motor (Line 126) is operated and kept operating through one (1) complete cycle through its cam operated 1 Revolution Sw. (Line 126).

MATERIAL IS CUT

503 (Line 135) transfers back, and the sequencer continues to run through 503, as K16 (Line 134) de-energizes on the transfer of 503.

504 TRANSFERS

Breaking the path to the sequencer, and it stops. Power is supplied through the CENTER LIMIT SW. (Line 118) to the Transport Motor (Line 117) and it runs.

Transport runs until the CENTER LIMIT SWITCH S403 (Line 118) is actuated.

When the limit switch S403 is actuated, the transport stops. The sequencer starts and runs through wire #40 on (Line 117).

Sequencer runs until 505 transfers.

505 TRANSFERS (Line 46)

This supplies power to the Shutter Timer (Line 214) and the Shutter Capacitor (Line 219). The Sequencer path is broken, and the Sequencer stops.

K5 (Line 204) is energized through the AUTO SW. (Line 204) ON, and K9-N.C. 5 & 6 (Line 203).

K5-15 & 16 (Line 211) close, power is applied from 505, through K12-N.C. 14 & 15 (Line 212) to (3) three places.

505 TRANSFERS (Line 46) (Continued)

K21 (Line 209) the mercury lamp relay is energized, if the AUX SW. (Line 209) is in TOP.

K3 (Line 210) is energized. K3-11 & 12 (Line 234) open and 12 & 13 close (Line 233), putting the vacuum to HIGH. On 430 s/n 4496 and above K3-9 & 10 (Line 307) close and K-30 (Line 307) is energized turning off the power to the developer and dryer heaters (Line 301 and 306).

After a 2 second delay through Module A2 (Line 212), K15 is energized (Line 212).

K15-9 & 10 (Line 215) close and through N.C. 5 & 6 of K10 (Line 215) and now closed contacts 6 & 7 of K5 (Line 215), the SHUTTER TIMER is pulsed. This energized K19 (Line 216) and K4 (Line 215)

K19-N.O. 6 & 7 (Line 218) close, and the SHUTTER solenoid (Line 218) is energized. The SHUTTER opens.

K4-5 & 6 (Line 203) open and prevent the sequencer from being energized. K4-15 & 16 (Line 212) close, and will keep relays K3 (Line 210), K21 (Line 209), & K15 (Line 212) energized when K5 is dropped out. K4-12 & 13 (Line 207) close and relay K9 (Line 206) is energized through K2-14 & 15 (Line 206).

K9-12 & 13 (Line 206) close and latch the relay in. K9-6 & 7 (Line 203) close and provide a future path to energize the sequencer. K9-5 & 6 (Line 203) open, dropping out relay K5 (Line 204). K5-6 & 7 (Line 215) open, taking pulse off the SHUTTER TIMER, starting the timer sequence. K4 (Line 215) and K19 (Line 216) will still be energized through the timers internal switches.

Exposure cycle times out and now K4 and K19 drop out.

K4-15 & 16 (Line 212) open, and K3 (Line 210), K21 (Line 209), and K15 (Line 212) drop out.

K9 is still energized through it latching contacts 12 & 13.

The exposure lights go out, the shutter closes, and on 430 s/n 4496 and above K30 (Line 307) de-energizes providing power for the proc. heating circuit.

When K4 dropped out, contacts 5 & 6 (Line 203) close, and since K9's contacts 6 & 7 (Line 203) are still closed, the sequencer starts running.

SEQUENCER RUNS. 505 TRANSFERS AND BREAKS THE PATH FOR KEEPING K9 ENERGIZED. K9 DROPS OUT.

SEQUENCER RUNS THROUGH ITS SWS. 506 THROUGH 501. RUNS UNTIL 506 TRANSFERS.

Revised 3/87

Page 74

After a 2-second delay through Module A-4, the transport motor starts through the FEED OFF SW. S404 (Line 118). The sequencer stops when 506 transfers.

Transport motor runs until the FEED OFF SW. is actuated. FEED OFF SW. now opens the path to the Transport Motor, and it stops. FEED OFF switch now provides path for the Sequencer, and it runs.

Sequencer runs through its switch 506 when it transfers back and continues to run until 501 transfers back. Sequencer stops.

K2 is now energized through all the Sequencer sws. 506 through 501, and K18 contacts 11 & 12 (Line 132), now closed.

K2-11 & 12 close and 12 & 13 open (Line 231) stopping the Vacuum Motor. K2-9 & 10 (Line 113) close and through the HOME SW. (Line 113), which is now down, after a 2-second delay through Module A-4, the Transport Motor is run in reverse. When the HOME SW. is actuated by the chain pin, the Transport Motor stops.

With the Home Sw. actuated, power is supplied to energize K7 (Line 114) through K10-14 & 15 (Line 114), K12-8 & 9 (Line 114), the HOME SW. (Line 113), and K2-9 & 10 (Line 113).

K7-12 & 13 (Line 109) close and the READY LIGHT comes on.

K7-9 & 10 (Line 128) close, and gets the 430 ready for another cycle.

Revised 2/87

Page 75

MULTIPLE EXPOSURES

Place the AUTO SW. to the OFF Position.

Push either of the CYCLE Switches.

The Cycle is started and continues as if the 430 were in the normal exposure Cycle, until the Sequencer Switch 505 transfers.

At this time, the READY light will come back on, due to the Multiple exposure sw. being OFF (Line 204)), through K4-8 & 9 N.C. (Line 204) and K5-11 & 12 N.C. (Line 205).

Push either CYCLE switch again.

K8 (line 110), energizes and contacts 6 & 7 (Line 215) close. This energizes K5 coil (Line 204) through the K4-N.C. 8 & 9 (Line 204) and the AUTO Sw. (Line 204) to OFF.

When K5 is energized, the normal exposure cycle occurs. After exposure, the READY light comes on once again.

Push the AUTO Sw. to its ON position.

This starts the sequencer motor, and the cycle is returned to normal. Everything continues until the HOME Sw. is actuated by the pin on the chain.

Revised 2/87

Page 76

DESCRIPTION OF THE 430 "VIEWING"

Place the handle to "View".

The VIEW switch (Line 227) is actuated and energizes relay K10 (Line 227).

K10 contacts 12 & 13 (Line 218) close. This provides power from K2-6 & 7 (Line 218), through the K10 contacts to the AUTO switch (Line 204), which is in the ON position, through the contacts 5 & 6 of relay K9 (Line 203) to energize relay K5 (Line 204).

K10 contacts 5 & 6 (Line 215) open and disables the shutter timer. K5 contacts 15 & 16 (Line 211) close, and allows a path from the above K10 12 & 13 (Line 218) to relay K12 contacts 14 & 15 (Line 212) through a tie point which supplies power to (2) two points.

- (1) It energizes the LAMP MERCURY RELAY-K21 (Line 209) if the AUX. Sw. (Line 209) is in the TOP POSITION. K21 contacts (Line 225) close and the exposure lamps come on.
- (2) It energizes relay K15 (Line 212) through the time delay module A2 (Line 212) after (2) two seconds.
K15 contacts 12 & 13 (Line 211) close and latch the relay.
K15 contacts 9 & 10 (Line 215) close and supplies power through the now closed contacts 6 & 7 of K10 (Line 215) to energize relays K19 (Line 216) and K4 (Line 215).

K19 contacts 6 & 7 (Line 218) close and energizes the SHUTTER solenoid (Line 218).

K4 contacts 5 & 6 (Line 203) open and prevents the sequencer motor from being operated through the AUTO Switch.

When you place the handle back to its normal position, relay K10 (Line 227) is de-energized, and everything returns to a static condition.

Revised 2/87

Page 77

NOTE: If you are not up to Temp. initially, you cannot view as relay K12 (Line 303) is energized which opens its contacts 14 & 15 (Line 212) which prevents energizing the Lamps and Shutter.

Revised 2/87

Page 78

NOTICE: THIS CONTAINS CONFIDENTIAL, PROPRIETARY AND NON-PUBLIC INFORMATION OF ITEK GRAPHIX CORP. DUPLICATION OR REPRODUCTION (IN WHOLE OR IN PART) OR DISCLOSURE HEREOF TO UNAUTHORIZED PERSONS WITHOUT THE PRIOR WRITTEN CONSENT OF ITEK GRAPHIX CORP. GRAPHIC SYSTEMS DIVISION IS PROHIBITED.

RELAY CASUALTY LIST FOR 430

RELAY

- K1 OPEN COIL - No transport motor or feed clutch when T2 transfers.
- 12 & 13 OPEN - No feed clutch.
CLOSED - Feed clutch would be energized until the time delay cuts off.
- 15 & 16 OPEN - No initial transport motor operation.
CLOSED - Transport motor runs all the time except when screen switch is actuated.
- K2 OPEN COIL - No Ready light and no transport motor in reverse.
- 6 & 7 OPEN - Nothing happens when VIEW switch is actuated. Even though K10 energizes.
CLOSED - If VIEW switch is actuated during an exposure, the shutter will open but there is no timing out.
- 11 & 12 OPEN - No effect.
CLOSED - Dead short across the line. Circuit breakers trip.
- 12 & 13 OPEN - No LOW vacuum.
CLOSED - Dead short across the line.
- 9 & 10 OPEN - No Ready light and no transport motor reverse.
CLOSED - Transport goes in reverse immediately after cycle starts.
- 14 & 15 OPEN - No energizing of K9 during exposure cycle, therefore, no timing out.
CLOSED - No effect.
- K3 OPEN COIL - No HIGH vacuum and the Processor Heater won't turn off in VIEW or EXPOSE cycles.
- 9 & 10 OPEN - Processor Htr. won't turn off in VIEW or EXPOSE cycles.
CLOSED - Processor Htr. won't come on.
- 11 & 12 OPEN - No effect.
CLOSED - Dead short. In expose mode.
- 12 & 13 OPEN - No effect until EXPOSE cycle then no HIGH vacuum.
CLOSED - In other than EXPOSE cycle it trips breaker. Expose cycle no effect.

RELAY CASUALTY LIST FOR 430 (Continued)

RELAY

- K4 OPEN COIL - K9 will not energize in VIEW or EXPOSE cycles.
Shutter stays open, no timing out.
- 5 & 6 OPEN - No sequencer start after the EXPOSE cycle.
CLOSED - Sequencer would start on energizing of K9. Expose cycle would start and T5 would transfer.
- 8 & 9 OPEN - No Ready light or EXPOSE in Multiple mode.
CLOSED - In Expose, no timing out.
- 12 & 13 OPEN - No timing out in EXPOSE cycle.
CLOSED - No lights, shutter, Processor Htr. shut-off in VIEW or EXPOSE cycles. In EXPOSE, Sequencer would continue past T5. Material would be transported to the processor, no expose.
- 15 & 16 OPEN - After EXPOSE cycle starts, lights come on and immediately go out. Sequencer would then start up.
CLOSED - In VIEW - no effect. In EXPOSE, lights would stay on after shutter closes for a second.
- K5 OPEN COIL - No lights, shutter or Processor Htr. off in VIEW or EXPOSE cycles.
- 6 & 7 OPEN - In VIEW - no effect. In EXPOSE, no timing out.
CLOSED - In VIEW - no effect. In EXPOSE, no timing out.
- 11 & 12 OPEN - No Ready light in multiple after material is centered.
CLOSED - K5 chatters in multiple when cycle button is pushed.
- 12 & 13 OPEN - No K5 latch in multiple mode.
CLOSED - Expose cycle would start immediately after transfer of T5 in multiple.
- 14 & 15 OPEN - No effect in VIEW. In EXPOSE, lights off, shutter closed, & processor heater on immediately after start of EXPOSE cycle.
CLOSED - No effect.
- 15 & 16 OPEN - No lights, shutter, or processor heater off in VIEW or EXPOSE.
CLOSED - No effect.

RELAY CASUALTY LIST FOR 430 (Continued)

RELAY

- K7 OPEN COIL - No Ready light and no sequencer start with cycle switch.
- 9 & 10 OPEN - No sequencer start with cycle switch.
CLOSED - No effect.
- 12 & 13 OPEN - No Ready light and no K8 latch.
CLOSED - K8 stays latched after cycle start. When T3 transfers Seq. keeps going. When in multiple, exposure starts when T5 transfers.
- K8 OEPN COIL - No sequencer start.
- 6 & 7 OPEN - In multiple, when cycle sw. is actuated the second time, nothing further happens.
CLOSED - In multiple, exposure cycle would start as soon as T5 transfers.
- 9 & 10 OPEN - No cycle start.
CLOSED - Sequencer starts when the Ready light comes on after initial machine turn on and it gets up to temperature.
- 12 & 13 OPEN - No effect until you run out of material. Then 430 can't be cycled out with cycle switch.
CLOSED - No effect until you run out of material. Then sequencer continues to run, and a short piece of material would be centered. The "NO MATERIAL" light would go back out.
- 15 & 16 OPEN - K8 would not latch in. Sequencer could possible stop before T1 could transfer.
CLOSED - K8 would energize when Ready light comes on and the seq. would start.
- K9 OPEN COIL - Won't time out in EXPOSE cycle.
- 5 & 6 OPEN - No lights or shutter in VIEW or EXPOSE. In multiple, everything would appear normal.
CLOSED - No timing out in EXPOSE cycle.
- 6 & 7 OPEN - No effect until after the exposure, then no seq. start.
CLOSED - K5 energized all the time.

RELAY CASUALTY LIST FOR 430 (Continued)

RELAY

K9

- 12 & 13 OPEN - No K9 latch on exposure. After the exposure, no seq. start.
CLOSED - In VIEW or EXPOSE, K9 would energize and not allow K5 to energize. No lights or shutter. In multiple, when T5 transfers, K9 would energize, but everything else is normal.

K10

- OPEN COIL - No lights, shutter, or processor heater shut-off in VIEW.
- 5 & 6 OPEN - No shutter open No time out in EXPOSE.
CLOSED - Shutter timer would pulse and time out in the VIEW mode.
- 6 & 7 OPEN - No shutter in the VIEW mode.
CLOSED - Shutter is held open as long as K15 is energized.
- 8 & 9 OPEN - No HIGH vacuum.
CLOSED - HIGH vacuum in VIEW mode.
- 8 & 10 OPEN - No effect.
CLOSED - Trips circuit breaker in VIEW or EXPOSE.
- 12 & 13 OPEN - No lamps or shutter in VIEW.
CLOSED - Lamps and shutter operate when 430 is turned on.
- 14 & 15 OPEN - No ready light.
CLOSED - Ready light stays on when viewing.

K12

- OPEN COIL - Ready light comes on when 430 is turned on.
- 8 & 9 OPEN - No K12 latch if not up to temperature initially.
CLOSED - K12 latched on any time Processor heater is on. Would cycle ready light on and off.
- 11 & 12 OPEN - No ready light unless in multiple and T5 is transferred.
CLOSED - Ready light on even if K12 is energized on initial 430 turnon. Would go out during normal cycle.

RELAY CASUALTY LIST FOR 430 (Continued)

RELAY

- K13 OPEN COIL - Processor motor, dryer fan, and dryer heater won't turn off after a 5 minute no use period.
- 8 & 9 OPEN - No dryer fan or Processor motor.
CLOSED - Always have dryer fan and processor motor. (NOTE: after S/N 31, dryer fan WILL always be on).
- 9 & 10 OPEN - Dryer Htr. cycles normally but fan and processor motor are off.
CLOSED - No dryer heater. Fan on, processor motor on.
- 12 & 13 OPEN - No K13 latch.
CLOSED - K13 energized at all times. No processor motor, dryer fan, or dryer heater.
- K14 OPEN COIL - Ready light can cycle on and off with processor heater.
- 8 & 9 OPEN - No. K12. Ready light on immediately.
CLOSED - K12 is on when processor heater is on. Ready light cycles on and off.
- 12 & 13 OPEN - No K14 latch.
CLOSED - K14 on with 430 turn-on. No energizing K12, ready light on.
- K15 OPEN COIL - No shutter in VIEW or EXPOSE, but you have lights in either.
- 9 & 10 OPEN - No shutter any time.
CLOSED - No effect in EXPOSE cycle. In VIEW, instant shutter operation. No 2 second delay.
- 12 & 13 OPEN - No K15 latch.
CLOSED - K15 energizes immediatley, no 3 seconds delay.
- K16 OPEN COIL - Seq. stops running with cut and doesn't start again. If you press T3, 430 completes cycle.
- 12 & 13 OPEN - No sequencer when knife cuts. No further action.
CLOSED - No effect.

RELAY CASUALTY LIST FOR 430 (Continued)

RELAY

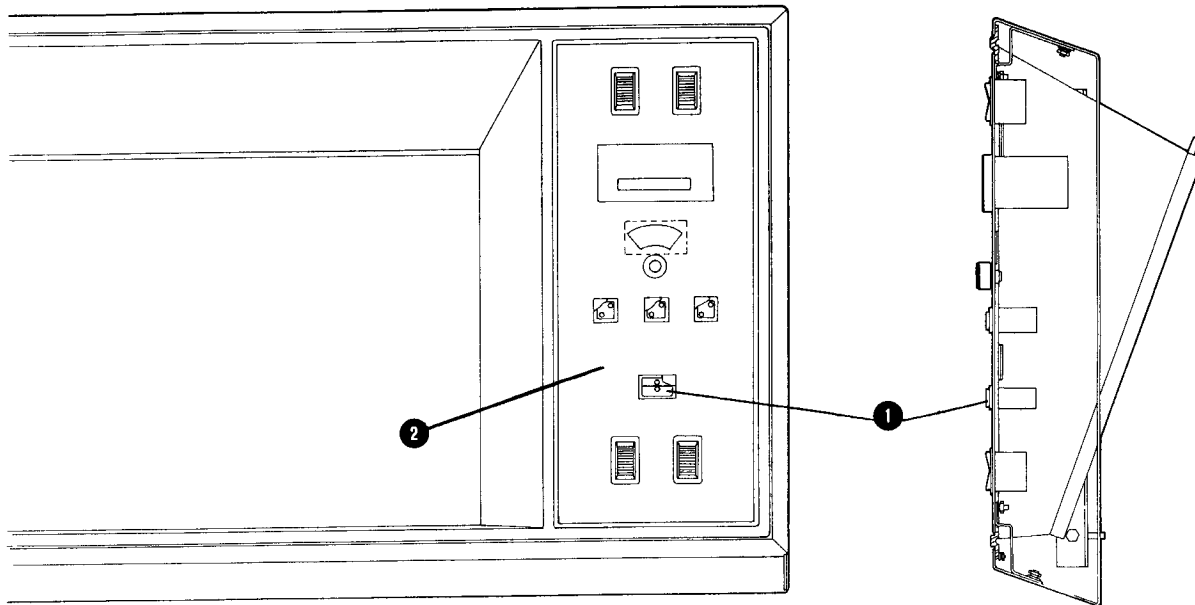
- K17 OPEN COIL - No screen lamp "on" with screen down.
- 5 & 6 OPEN - No K8 latch at cycle start. Possible that seq. could stop before T1 transfers.
CLOSED - No effect.
- 9 & 10 OPEN - No screen lamp when screen is down.
CLOSED - Screen lamp is on at all times.
- 14 & 15 OPEN - No transport motor at any time. No feed clutch.
CLOSED - Transport could operate with screen in down position.
- K18 OPEN COIL - Transport reverses instantly when Feed off switch transfers. Causes T1 to transfer back to Home position.
- 11 & 12 OPEN - No K2 energized when 430 is turned on.
CLOSED - If material is not all the way into the processor, transport could drag it backwards when T1 transfers to Home.
- K19 OPEN COIL - No shutter at any time.
- 6 & 7 OPEN - Never any shutter.
CLOSED - Shutter operates instantly if VIEW switch is actuated or as soon as T5 transfers in EXPOSE cycle.
- K20 OPEN COIL - Cannot get Lens or Copyboard motors to reverse direction.
- 5 & 6 OPEN - Aux. switches for lens and copyboard inoperative.
CLOSED - Main switches will not override Aux. switches. Both could be operated at the same time.
- 6 & 7 OPEN - Main switches inoperative.
CLOSED - Main and Aux. switches could be operated at the same time.

430 C/P ACCESSORIES

Screen Mask 192943-001

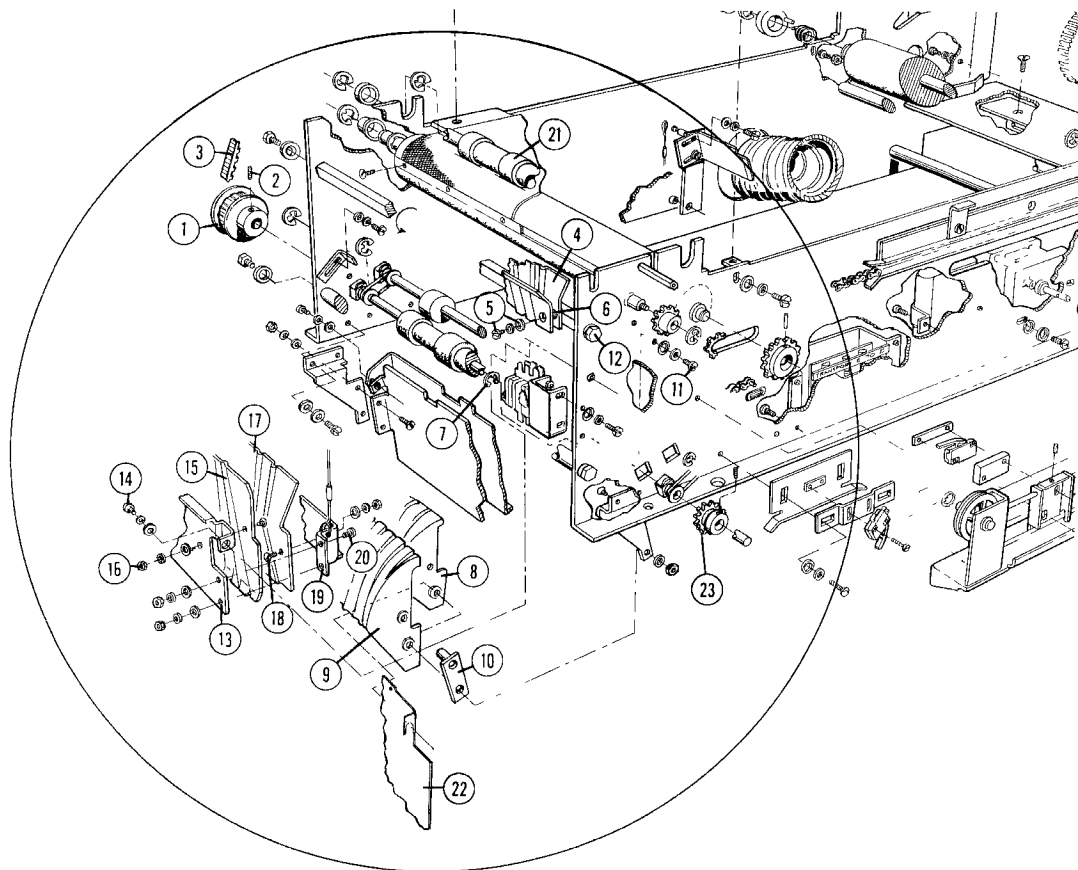
<u>Screens</u>	<u>Part Number</u>	<u>Product Code</u>
65 Line	401503-002	15204
85	401503-003	15206
100	401503-001	15207
120	401503-004	15209
133	401503-005	15210

<u>Special Effect Screens</u>	<u>Part Number</u>	<u>Product Code</u>
55 - Straight Line	401503-006	15215
75 - Straight Line	401503-007	15217
100 - Straight Line	401503-008	15219
60 - Wavy Line	401503-009	15224
75 - Mezzotint	401503-011	15226
50 - Steel Etch	401503-012	15229
50 - Steel Engraving	401503-013	15230
Sunburst	401503-014	15231
Linen	401503-015	15232

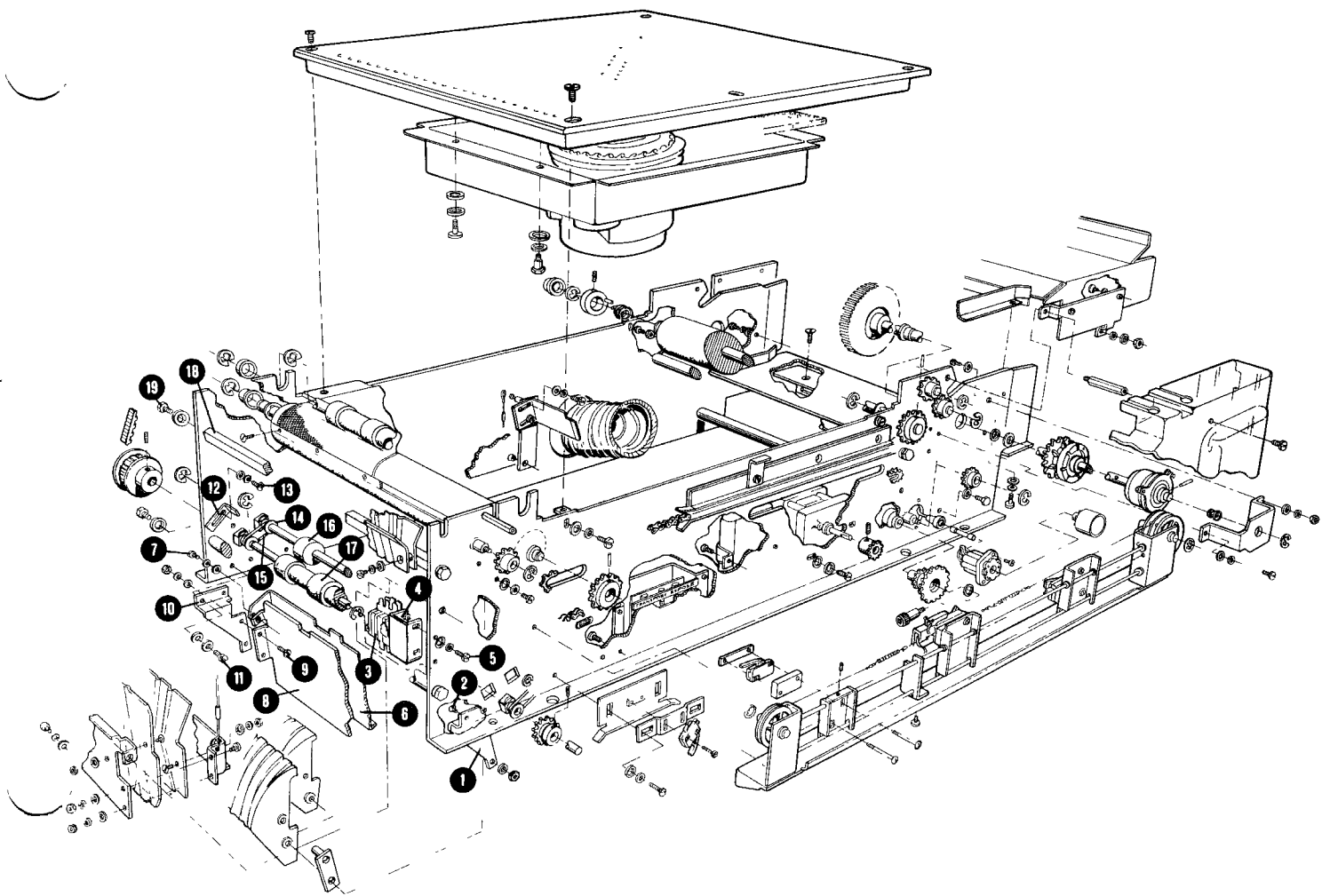


REF.	DESCRIPTION	PART NO.	QTY.
1	Lens Cover	19555701	
2	Control Panel Overlay	19596604	
NS	Control Panel Harness	19593101	

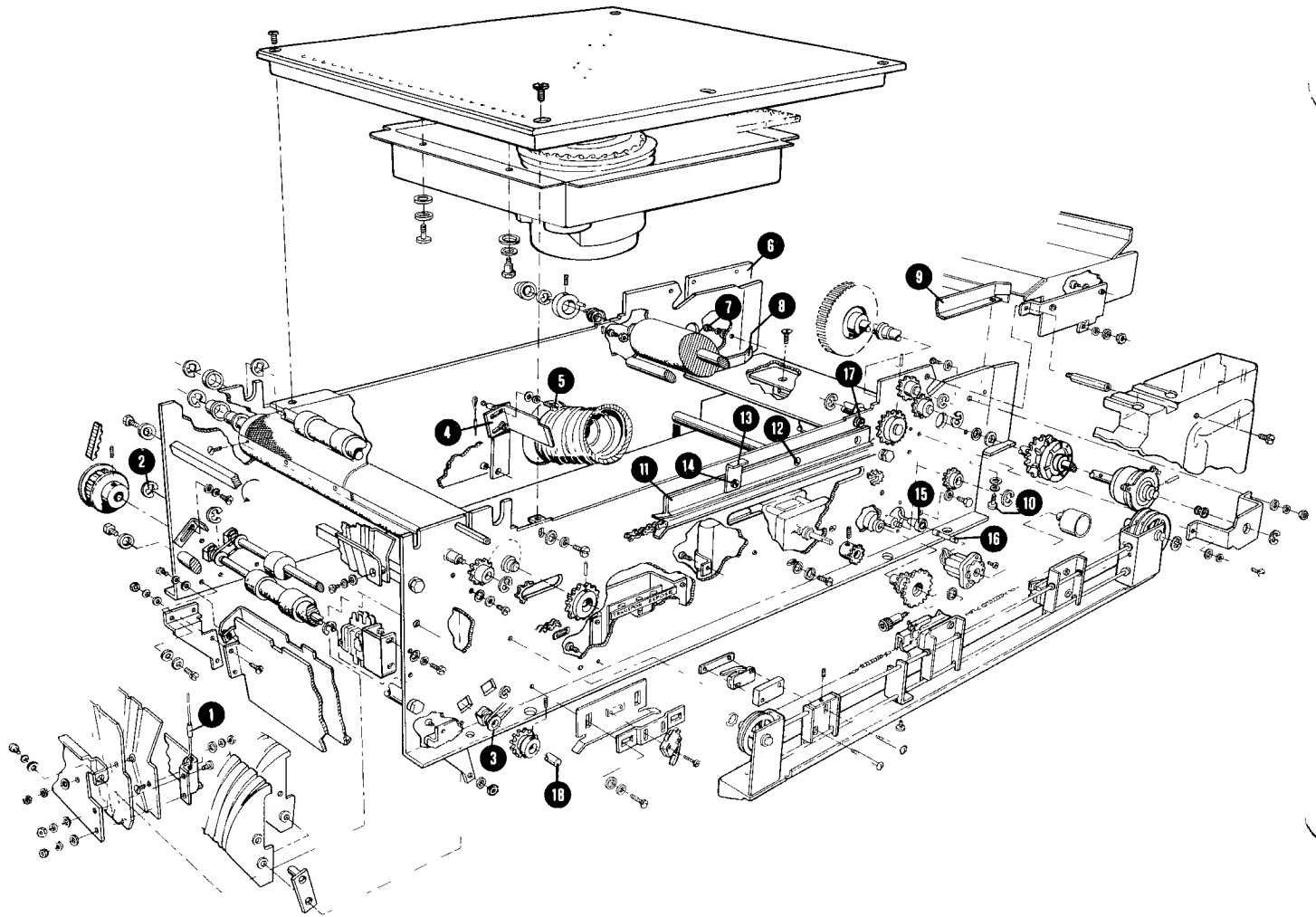
TRANSPORT ASSEMBLY



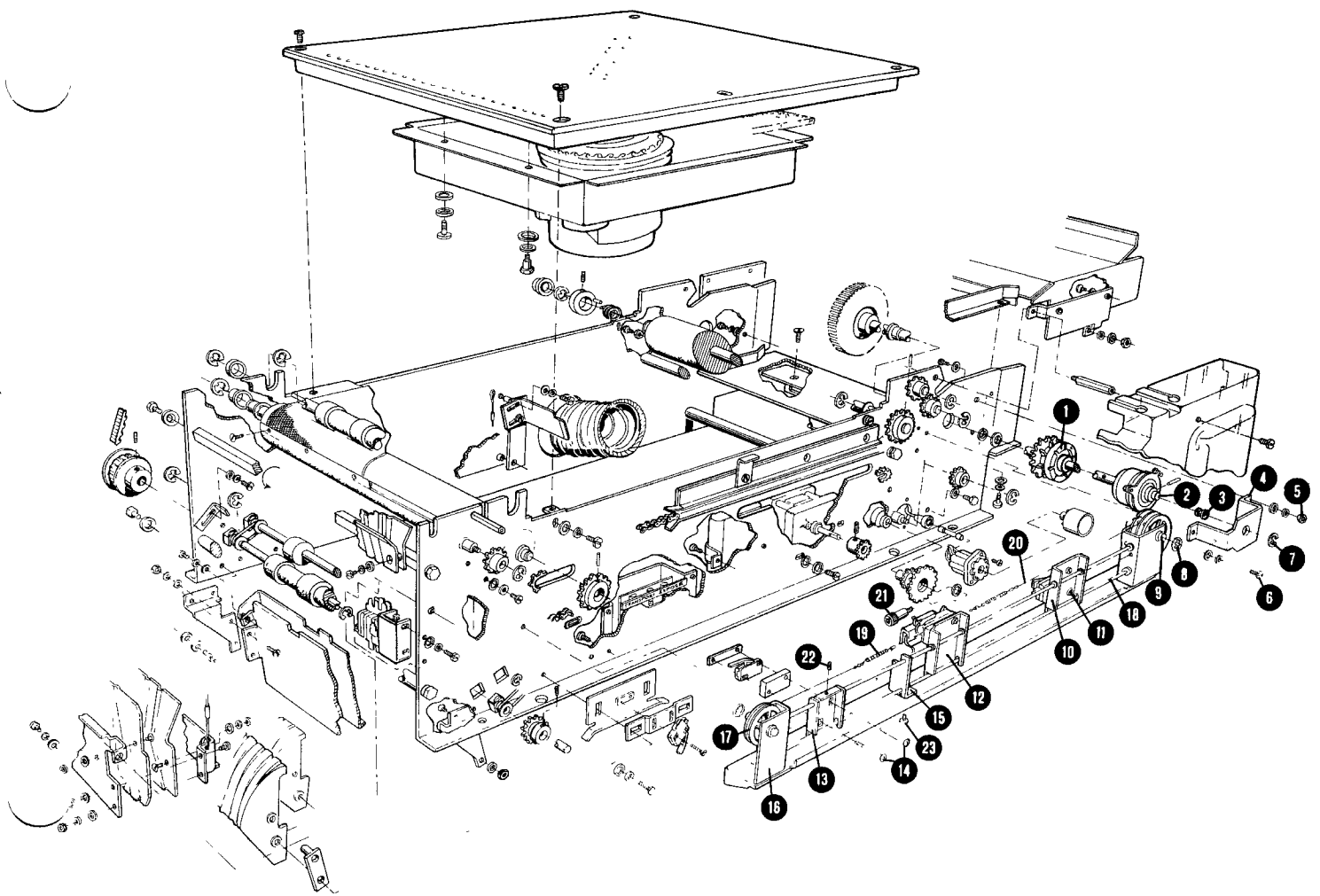
REF.	DESCRIPTION	PART NO.	QTY.	REF.	DESCRIPTION	PART NO.	QTY.
1	Pulley	19580001		13	Pivot	19580301	
2	Set Screw	H0116400		14	Screw	H0465400	2
3	Belt	19578801			Washer	H0155200	2
4	Guide	19548901			Washer	H0156000	2
5	Screw	H0472300		15	Guide	19549101	
	Washer	H0155100		16	Nut	H0144500	
	Washer	H0156300			Washer	H0155700	
6	Spacer	19581001			Washer	H0156500	
7	Retaining Ring	H0933100		17	Guide	19549001	
8	Paper Guide	20168201		18	Screw	H0307300	
9	Guide	19549301			Washer	H0156500	
10	Guide Plate Assy	19582001			Washer	H0155700	
11	Screw	H0482700	4		Nut	H0144500	
	Washer	H0155100	4	19	Stiffener	19578701	
	Washer	H0156300	4	20	Screw	H0585200	
12	Screw	H0477800		21	Roller Assy	19584701	
	Washer	H0155300		22	Light Shield	19812501	
				23	Sprocket	09744586	
					Pin	H0513700	



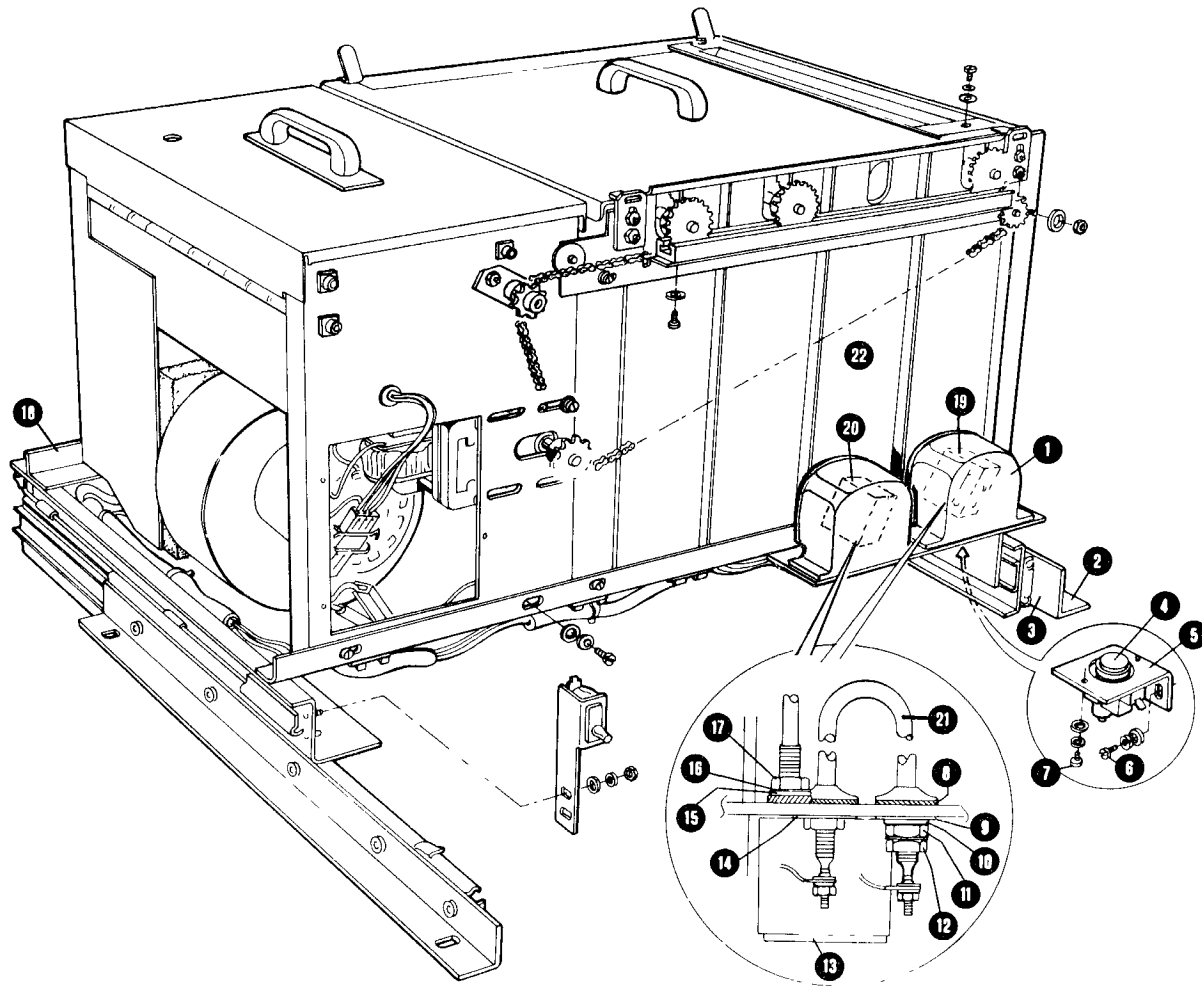
REF.	DESCRIPTION	PART NO.	QTY.	REF.	DESCRIPTION	PART NO.	QTY.
1	Lower Guide Bracket	20159301		9	Washer	H0155000	
	Screw	19428101	2		Nut	H0144100	
	Washer	H0155000	2	10	Lower Guide Bracket	20159401	
	Washer	H0156400	2	11	Screw	H0586000	
2	Screw	H0319900			Washer	H0155100	
3	Switch	01035705			Washer	H0156300	
4	Bracket	19836601		12	Stop Angle	19580801	
5	Screw	H0581300		13	Screw	H0586000	
	Washer	H0155700			Washer	H0155100	
	Washer	H0156500			Washer	H0156300	
6	Paper Guide	20523701		14	Bearing	01371601	
7	Screw	H0470400		15	Drive Belt	09729509	2
	Washer	H0156000		16	Roller	19579801	
	Washer	H0155700		17	Roller Assembly	19583801	
8	Lower Paper Guide	20024701		18	Rod	19583101	
	Screw	H0470200		19	Screw	H0477800	
	Washer	H0156400			Washer	H0155300	



REF.	DESCRIPTION	PART NO.	QTY.	REF.	DESCRIPTION	PART NO.	QTY.
1	Cable	08988200		11	Guide Bar Assy	19310401	
2	Retaining Ring	H0933000		12	Screw	H0465300	4
3	Bearing	01371601		13	Bracket	19487701	
4	Lever Bracket	19582501		14	Screw	H0465300	4
5	Nut	H0144100	2		Washer	H0155200	4
	Washer	H0155000	2		Washer	H0156000	4
	Washer	H0156400	2		Nut	H0144400	4
6	Bracket Assembly	19296601		15	Fuse Holder	08701003	
7	Screw	H0471900	2	16	Fuse	08700900	
	Washer	H0155100	2	17	Screw	H0586000	
	Washer	H0156300	2		Washer	H0155100	
8	Left Adj. Assy	19308201			Washer	H0156300	
9	Right Adj. Assy	19308301		18	Shaft	19579601	
10	Screw	H0471900	4				
	Washer	H0155100	4				
	Washer	H0156300	4				



REF.	DESCRIPTION	PART NO.	QTY.	REF.	DESCRIPTION	PART NO.	QTY.
1	Sprocket	19313501		12	Plate Length Switch Carrier Assembly	19310801	
2	Clutch Assembly	20246801		13	Home Switch Carrier	19310701	
3	Bearing	40141115		14	Screw	H0681600	
4	Housing Assembly	19313801			Washer	H0156500	
5	Screw	H0471900	3		Washer	H0155700	
	Washer	H0155100	3	15	Support Bracket	19311001	
	Washer	H0156300	3	16	Support Assembly	19220801	
6	Screw	H0471900		17	Pulley	19502001	2
	Washer	H0155100		18	Switch Rod	19220101	2
	Washer	H0156300		19	Spring	19271201	
7	Retaining Ring	H0928800		20	Cable	19271401	
8	Retaining Ring	H0930200			Cable	19271501	
9	Shaft Pulley	19220501		21	Bolt	H0164200	
10	Center Switch Carrier	19310901		22	Set Screw	H0324000	
11	Screw	H0470400					
	Washer	H0156400					



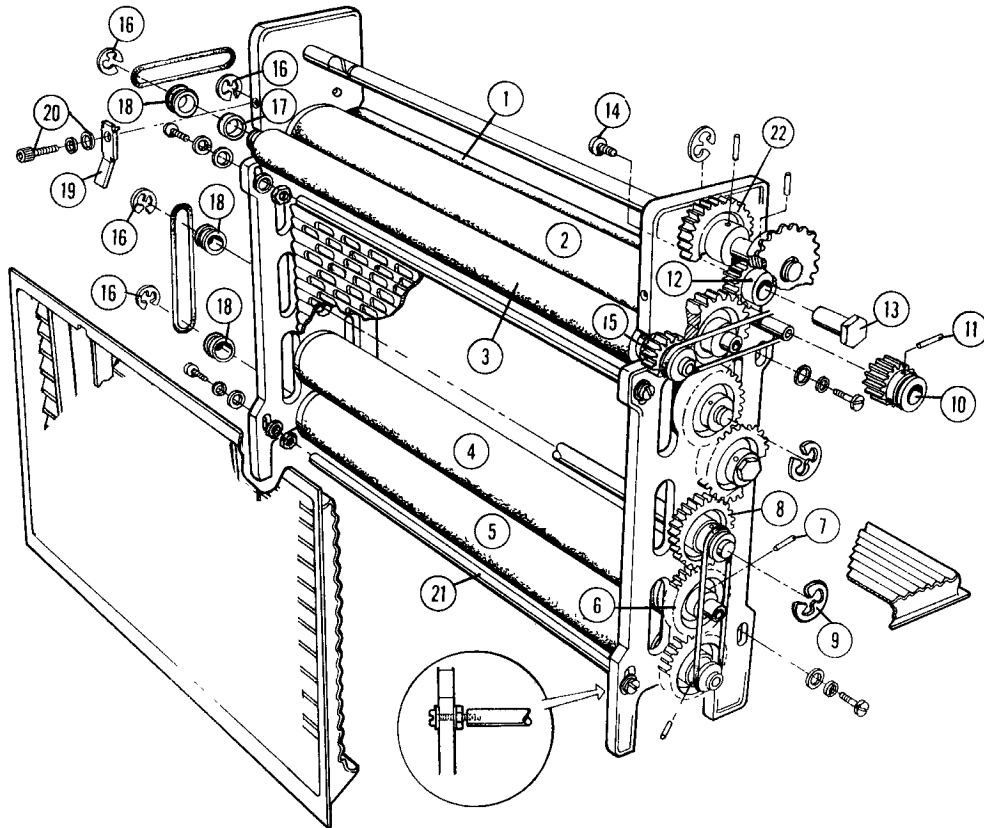
REF.	DESCRIPTION	PART NO.	QTY.	REF.	DESCRIPTION	PART NO.	QTY.
1	Terminal Cover	19503501		10	Washer	08910701	
	Screw	H0472100		11	Nut	H0123100	
	Lock Washer	H0155100		12	Nut	H0123100	
	Washer	H0156300		13	Insulator	19524901	
2	Angle	19513401		14	Gasket	01351002	
3	Slide	19248701		15	Gasket	01351002	
4	Limit Control	19406901		16	Washer	08910700	
5	Bracket	19511801		17	Nut	H0123100	
6	Washer	H0156300		18	Processor Dryer Frame	19514901	
	Lock Washer	H0155100			Screw	H0586000	
	Nut	H0144200			Washer	H0156300	
7	Screw	H0582600			Lock Washer	H0155100	
	Washer	H0156300		*19	Temperature Control (95°)	20289601	
	Lock Washer	H0155100		*20	Temperature Control (105°)	20289602	
8	Gasket	01351004		21	Heater	19503001	
9	Gasket	01351004		22	Fixer Tank	19580401	

*NOTE: When replacing the temperature control, if the existing temperature head is 2" in length order a terminal cover (Item #1)

NOTICE: THIS CONTAINS CONFIDENTIAL INFORMATION. THE INFORMATION ON THIS DRAWING IS UNCLASSIFIED EXCEPT WHERE SHOWN OTHERWISE. REPRODUCTION OF THIS DRAWING WITHOUT THE WRITTEN CONSENT OF ITEX GRAPHIC CORP. GRAPHIC SYSTEMS DIVISION IS PROHIBITED.

Roller Frame

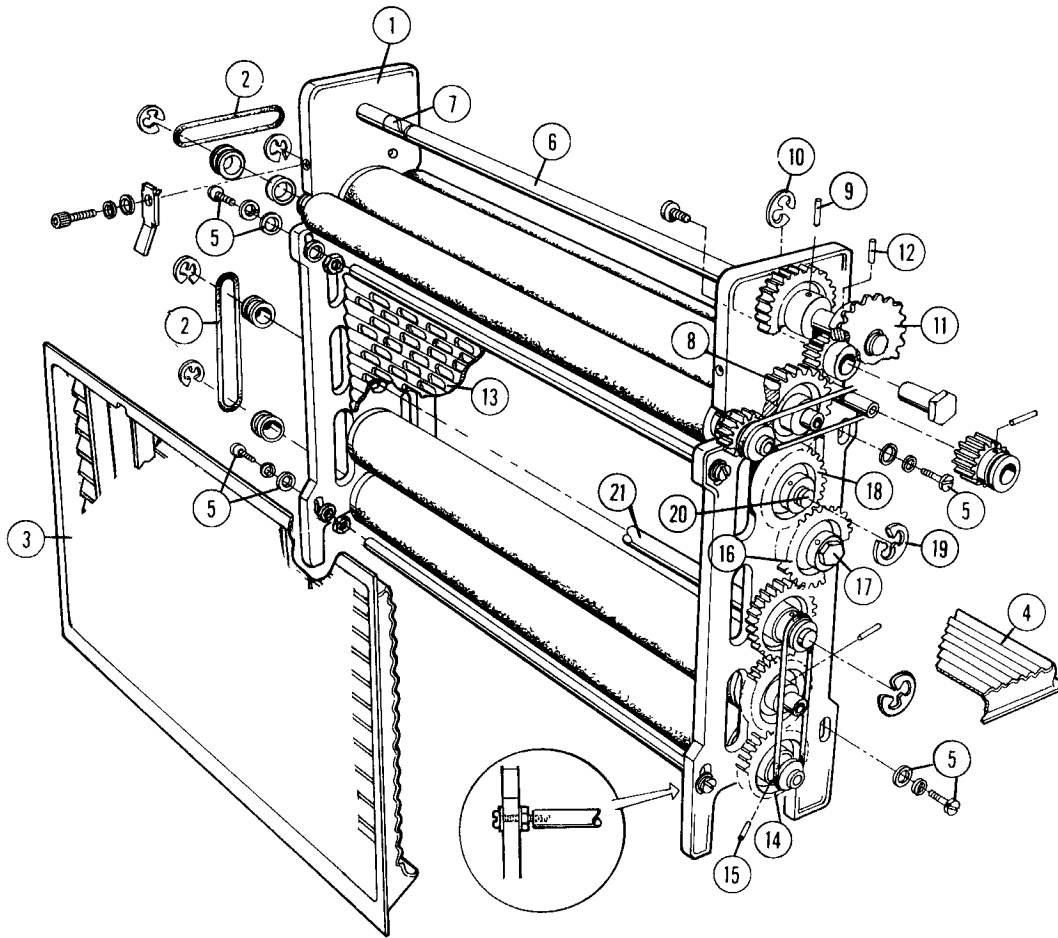
19252602



REF.	DESCRIPTION	PART NO.	QTY.	REF.	DESCRIPTION	PART NO.	QTY.
Roller Frame for 2nd Wash - 19252602							
1	Roller (Plastic)	19247901		13	Idler Stud	19242701	
2	Roller (Rubber)	20307301		14	Screw	H0465300	
3	Roller (Rubber)	19259501			Washer	H0880900	
4	Roller (Plastic)	19300202			Washer	H0882300	
5	Roller (Plastic)	19300202		15	Bearing	19265102	
6	Gear	19246901		16	Clip	H0993000	4
7	Pin	H0509300		17	Bearing	19265101	
8	Gear	19246801		18	Pulley	19242801	3
9	Clip	H0993000	2	19	Pressure Bracket	19718901	2
10	Gear	19246701	2	20	Screw	H0275900	2
11	Pin	H0507500	2		Washer	H0155100	2
12	Gear	19243601			Washer	H0156300	2
				21	Tie Rod	19599501	4
				22	Gear	19246901	

Revised 8/87

Roller Frame

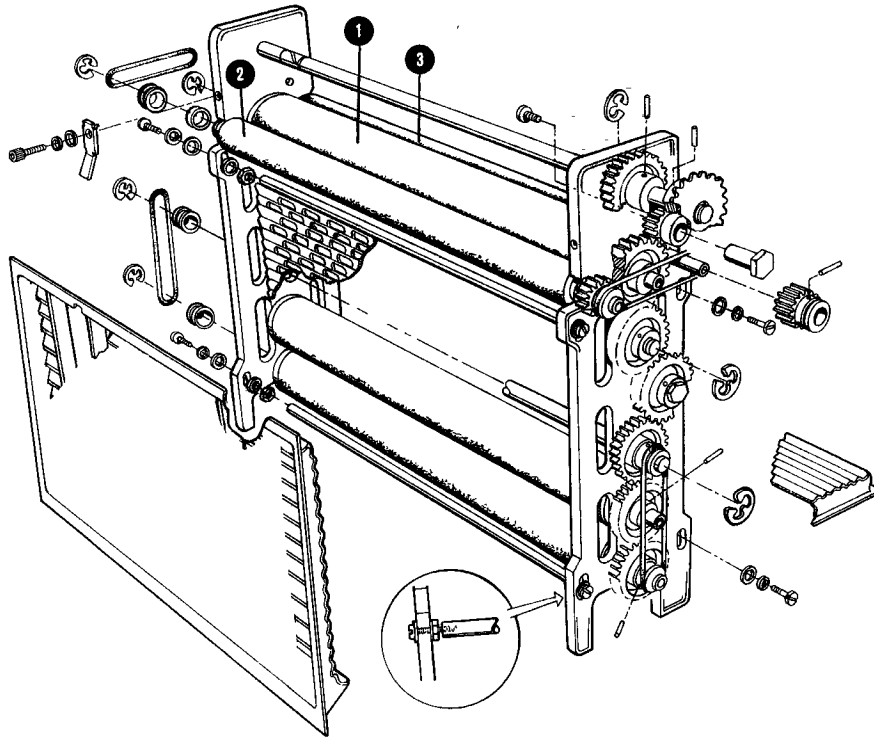


REF.	DESCRIPTION	PART NO.	QTY.	REF.	DESCRIPTION	PART NO.	QTY.
1	Bearing Plate	19293601	2	11	Sprocket	09744583	
2	"O" Ring	09729507	4	12	Pin	H0509300	
3	Side Guide (Exit)	19599301		13	Inner Guide Assembly	20529001	2
4	Side Guide (Input)	19599201		14	Gear	19246801	
5	Screw	H0003900	8	15	Pin	H0507500	
	Washer	H0156400	16	16	Gear	19246901	
	Washer	H0155000	8	17	Idler Stud	19242701	
	Nut	H0144100	8		Screw	H0465300	
6	Shaft	19547701			Washer	H0880900	
7	Nyliner	40141118	2		Washer	H0882300	
8	Gear	19246901		18	Gear	19246901	
9	Pin	H0509300		19	Clip	H0933000	
10	Clip	H0933000		20	Shaft	19245601	
				21	Shaft	19246001	

Revised 8/87

NOTICE: THIS CONTAINS CONFIDENTIAL, PROPRIETARY AND NON-PUBLIC INFORMATION OF ITEX USA, INC. REPRODUCTION OR REPRODUCTION IN WHOLE OR IN PART, OR DISCLOSURE HERE OF TO ANY OTHER PERSONS WITHOUT THE PRIOR WRITTEN CONSENT OF ITEX GRAPHICS CORP. GRAPHIC SYSTEMS DIVISION IS STRICTLY PROHIBITED.

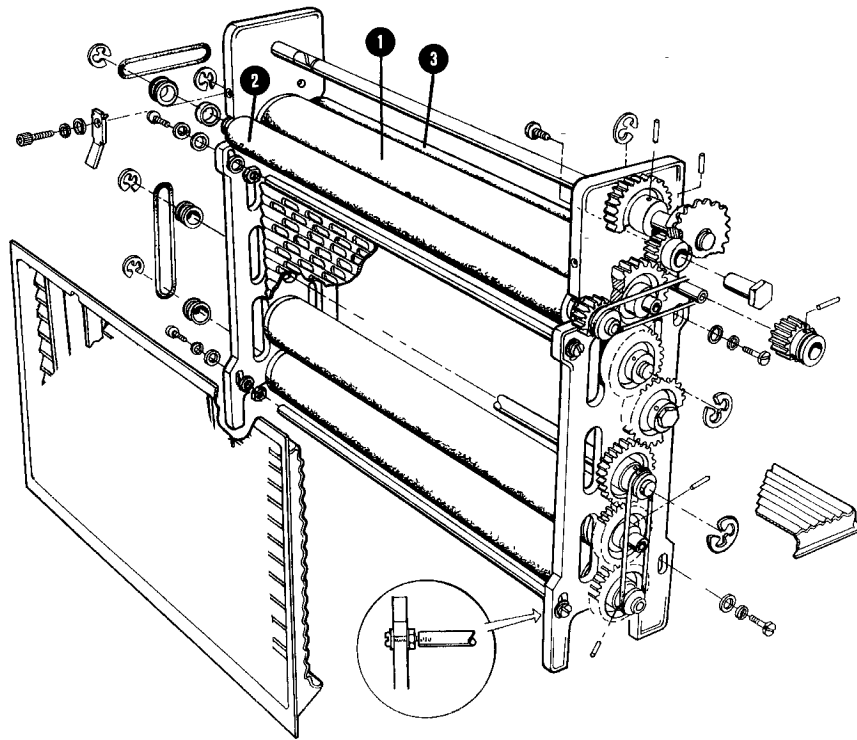
ROLLER FRAME



REF.	DESCRIPTION	PART NO.	QTY.
Roller Frame for Developer - 19252608			
1	Large Rubber Roller	20307301	
2	Small Rubber Roller	19259501	
3	Small Rubber Roller	19259501	

Revised 6/85

ROLLER FRAME



REF.	DESCRIPTION	PART NO.	QTY.
------	-------------	----------	------

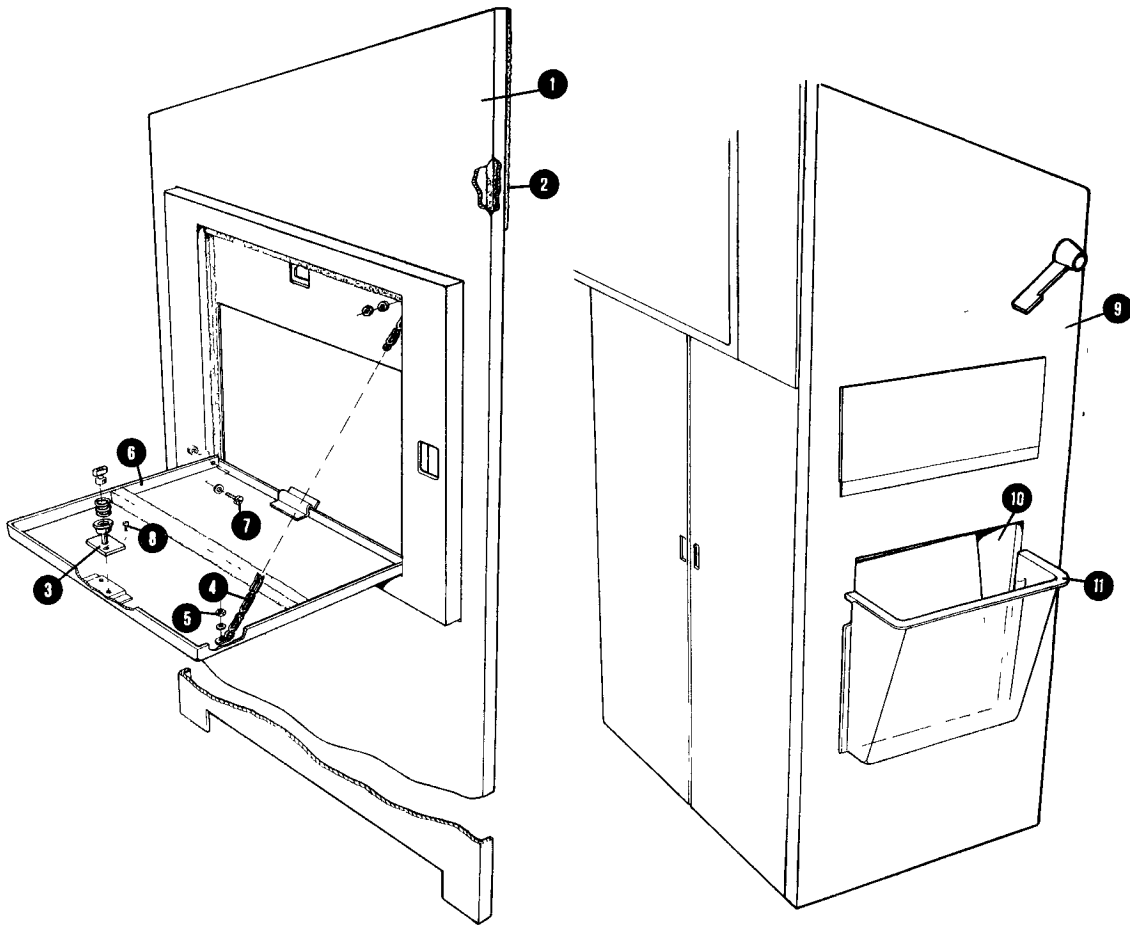
Roller Frame for Fixer and 1st Wash - 19252601

1	Large Plastic Roller	19300201	
2	Small Plastic Roller	19247901	
3	Small Plastic Roller	19247901	

***See 19252602 for parts not called out in this drawing.**

Revised 6/85

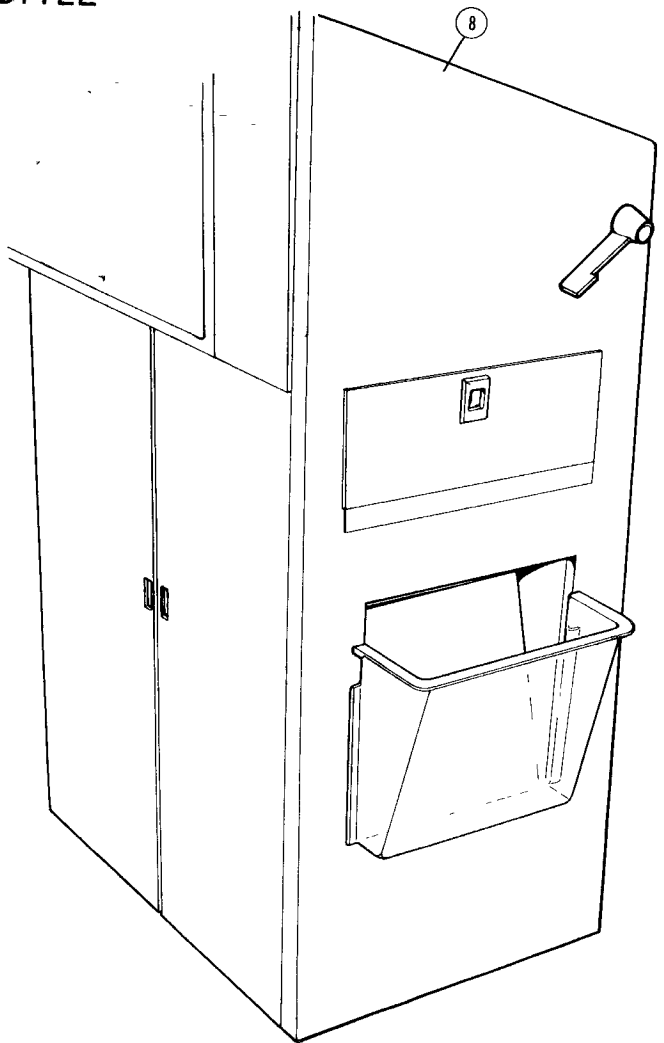
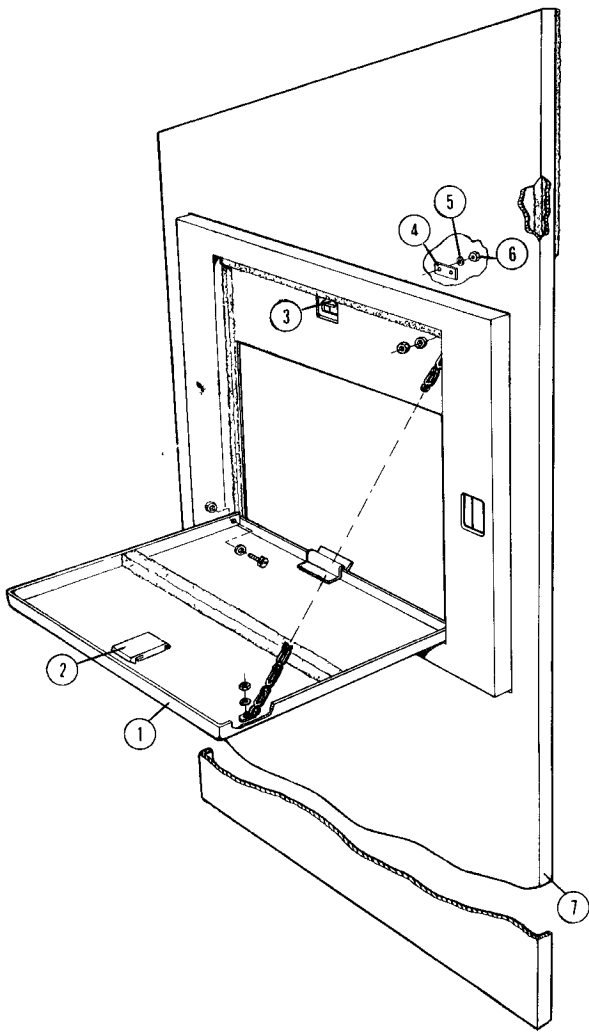
OLD STYLE



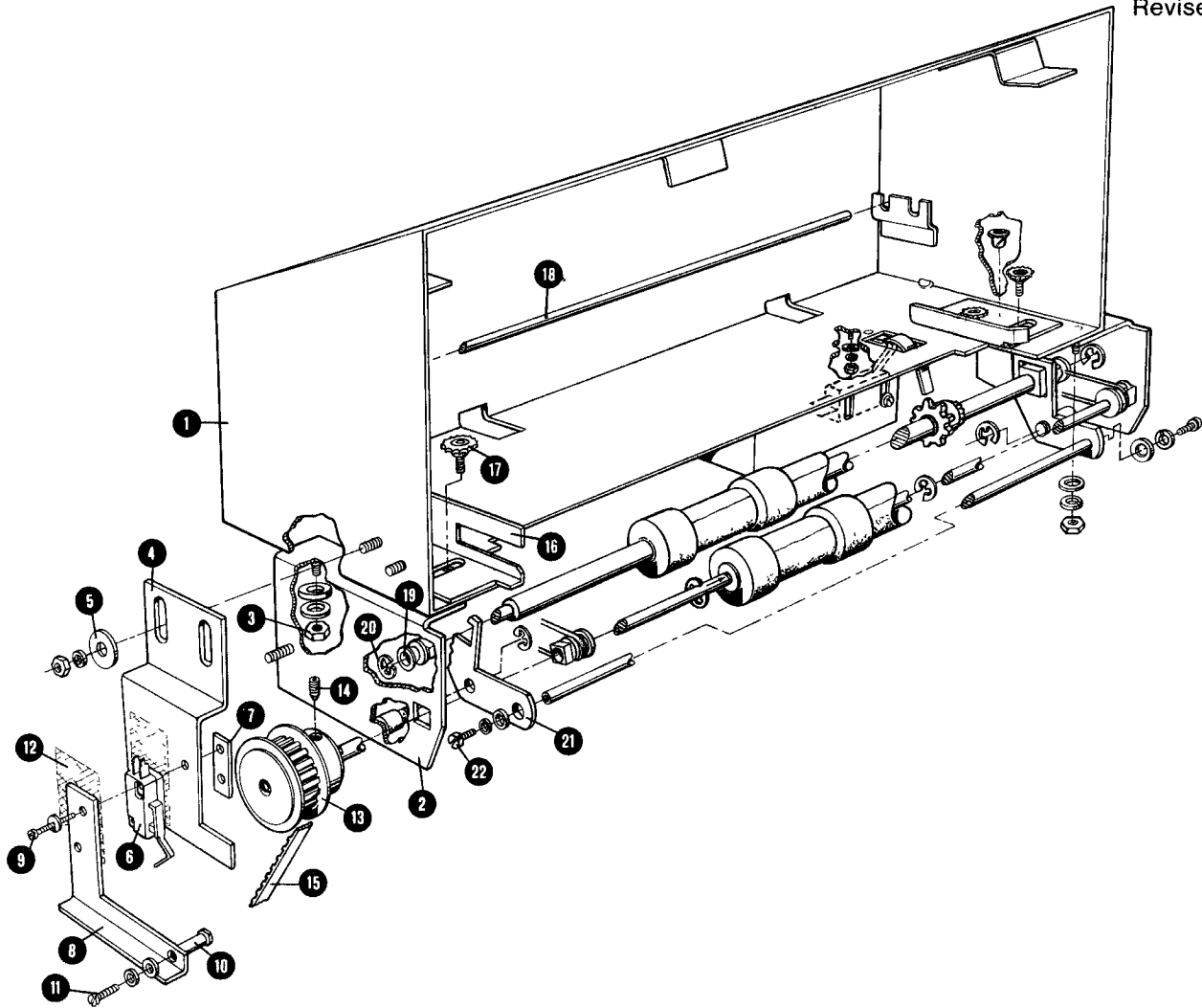
REF.	DESCRIPTION	PART NO.	QTY.	REF.	DESCRIPTION	PART NO.	QTY.
1	Side Cover Assembly	19264102		7	Shoulder Screw	07133100	
2	Tape	40151332		8	Screw	H0265100	
3	Push Release Latch	19294201		9	Side Cover Assembly	19264101	
4	Door Chain	19306601		10	Print Catcher	19446101	
5	Nut	H0144500		11	Tray	19589201	
	Washer	H0156500		NS	Light Shield	19753101	
	Washer	H0155700					
6	Cover Assembly	19261701					

Covers for below serial number 390

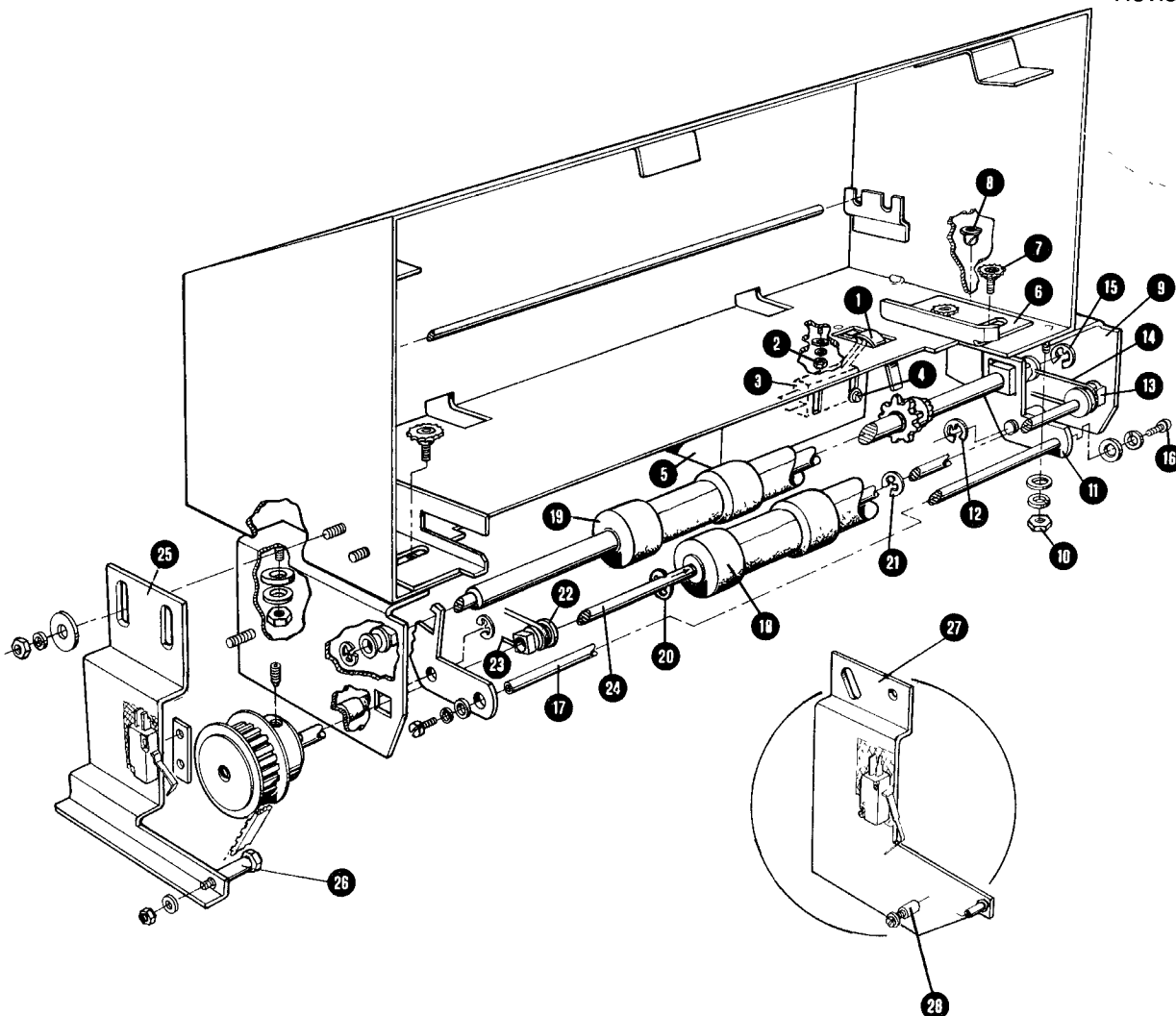
NEW STYLE



REF.	DESCRIPTION	PART NO.	QTY.
1	Cover Assembly	19664801	
2	Side Latch	19664301	
3	Clip Assembly	19664201	
4	Washer Plate	19664001	
5	Washer	H0155000	2
6	Nut	H0144100	2
7	Cover Assembly L.H.	19609701	
8	Side Cover Assembly	19264101	



REF.	DESCRIPTION	PART NO.	QTY.	REF.	DESCRIPTION	PART NO.	QTY.
1	Box Assembly	19579301		11	Screw	H0470900	
2	Side Plate Assembly	19583301			Washer	H0156400	
3	Washer	H0156000			Washer	H0155000	
	Washer	H0155200		12	Insulator	01094600	
	Nut	H0144400		13	Pulley	19579701	
4	Switch Bracket	19579001		14	Set Screw	H0116400	
5	Washer	09268100		15	Belt	19578801	
	Washer	H0155100		16	Actuator	19582701	
	Nut	H0144200		17	Screw	H0500500	
6	Switch	19578601		18	Locating Rod	19582101	
7	Nut Plate	08949300		19	Bearing	01371601	
8	Guide	19587501		20	Retaining Ring	H0933100	
9	Screw	H0584100		21	Idler Bearing Plate	19580601	
	Washer	H0156500		22	Screw	H0472100	
	Washer	H0155700			Washer	H0156300	
10	Stud	H0816800			Washer	H0155100	



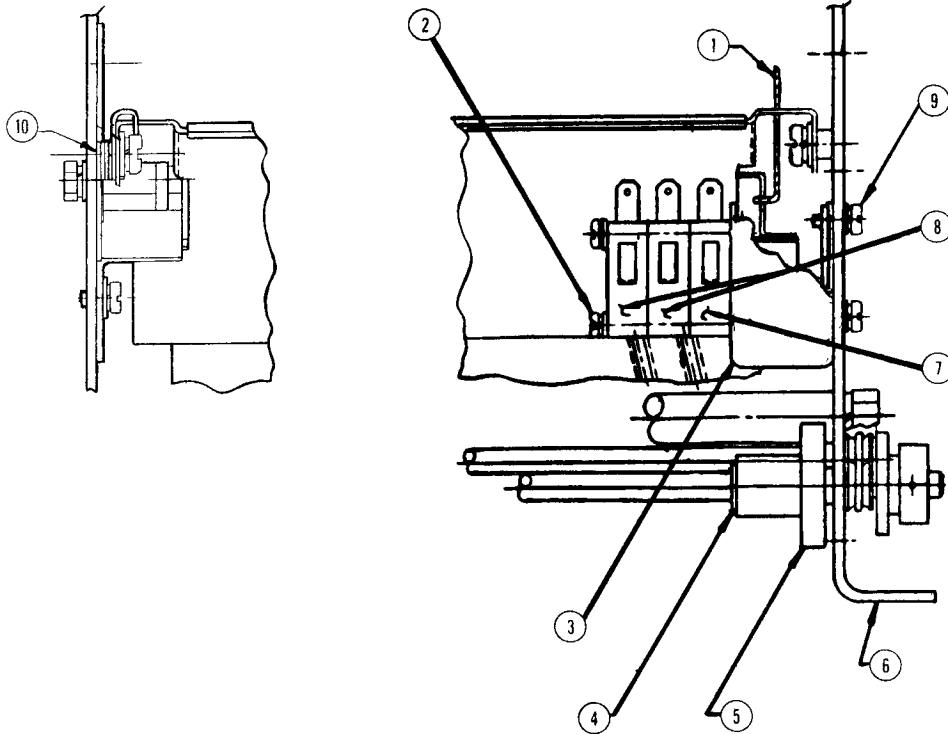
REF.	DESCRIPTION	PART NO.	QTY.	REF.	DESCRIPTION	PART NO.	QTY.
1	Clicker	19581801		14	Drive Belt	09729509	
2	Washer	H0156500		15	Retaining Ring	H0933100	
	Washer	H0155700		16	Screw	H0472100	
	Nut	H0144500			Washer	H0155100	
3	Switch	19057401			Washer	H0156300	
4	Screw	H0584100		17	Shaft	19581201	
	Washer	H0156500		18	Roller Assembly	19583801	
	Washer	H0155700		19	Shaft Assembly	19584501	
5	Insulator	01094600		20	Retaining Ring	H0933100	
6	Guide	19581901		21	Retaining Ring	H0933100	
7	Screw	H0500500	4	22	Bearing	01371601	
8	Nyliner	06754702		23	Drive Belt	09729509	
9	Side Plate Assembly	19583201		24	Shaft	19579501	
10	Washer	H0156000		NS	Label	19621601	
	Washer	H0155200		25	Switch/Guide Bracket	19781501	
	Nut	H0144400		26	Bearing	19787401	
11	Idler Bearing Plate	19580601		27	Switch Bracket	19942801	
12	Retaining Ring	H0933100	4	28	Bushing	09832800	
13	Bearing	01371601					

NOTICE: THIS CONTAINS CONFIDENTIAL, PROPRIETARY AND NON-PUBLIC INFORMATION OF ITEX GRAPHIX CORP. DUPLICATION OR REPRODUCTION IN WHOLE OR IN PART OR DISCLOSURE HERE OF TO UNAUTHORIZED PERSONS WITHOUT THE FURTHER WRITTEN CONSENT OF ITEX GRAPHIX CORP. GRAPHIC SYSTEMS DIVISION IS PROHIBITED.

435 PLATE PROCESSOR KIT
19596301
PRODUCT CODE 11352

Revised 8/87

For 435 Camera Below S/N 1081

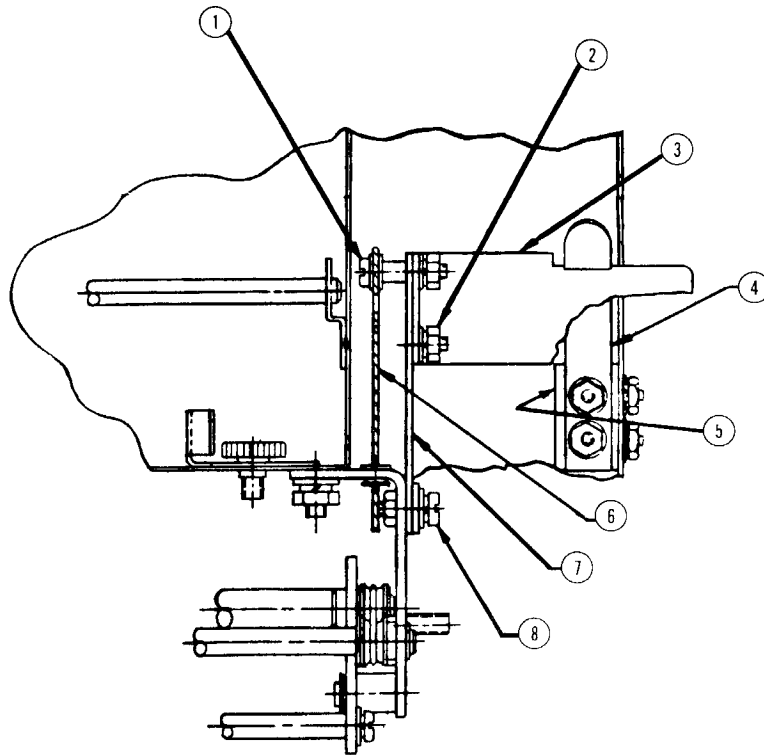


REF.	DESCRIPTION	PART NO.	QTY.	REF.	DESCRIPTION	PART NO.	QTY.
1	Cable	19579401		*6	Front Plate	19546701	
2	Washer	H0156500	2	*7	Switch	01035705	
	Washer	H0155700	2	8	Switch	01035705	2
	Screw	H0683200	2	*9	Washer	H0156500	2
*3	Switch Bracket	19836601			Washer	H0155700	2
4	Ring	H0928600			Screw	H0581300	2
5	Gear Assembly	19588401			Nut Plate	08949300	1
				10	Spring	20166801	

* Furnished as part of 435 C/P

Parts included in 435 kit but not shown:

Left Cover Assembly	19592401
Processor Label	19449801



REF.	DESCRIPTION	PART NO.	QTY.	REF.	DESCRIPTION	PART NO.	QTY.	
1	Washer	H0156400	3	5	Spring Lever Assembly	19599401	2	
	Washer	H0155000			Washer	H0156400		
	Nut	H0144100			Washer	H0155000		
	Screw	H0003900			Nut	H0144100		
2	Washer	H0156400	2	6	Cable	19579401	2	
	Washer	H0155000			7	Lever Plate Assembly		19582401
	Nut	H0144100				8		Washer
3	Lever Bracket	19582501	2	Washer	H0155000		2	
	4	Spring		19546601	Washer			H0156200
		Washer		H0156400	Screw	H0466200		
		Washer		H0155000	Nut	H0144100		
4	Nut	H0144100	2					