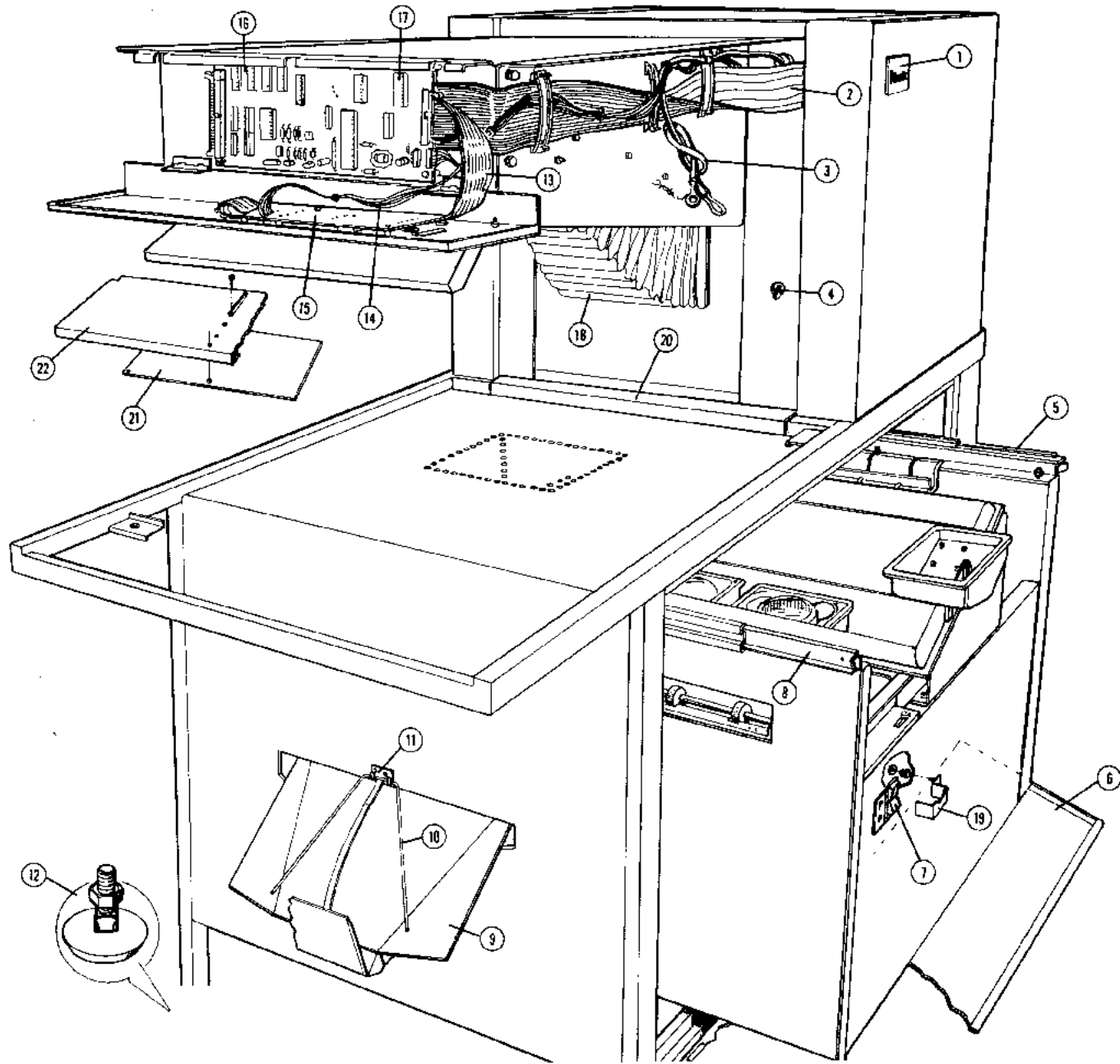


PARTS MANUAL

2
OVERHANG

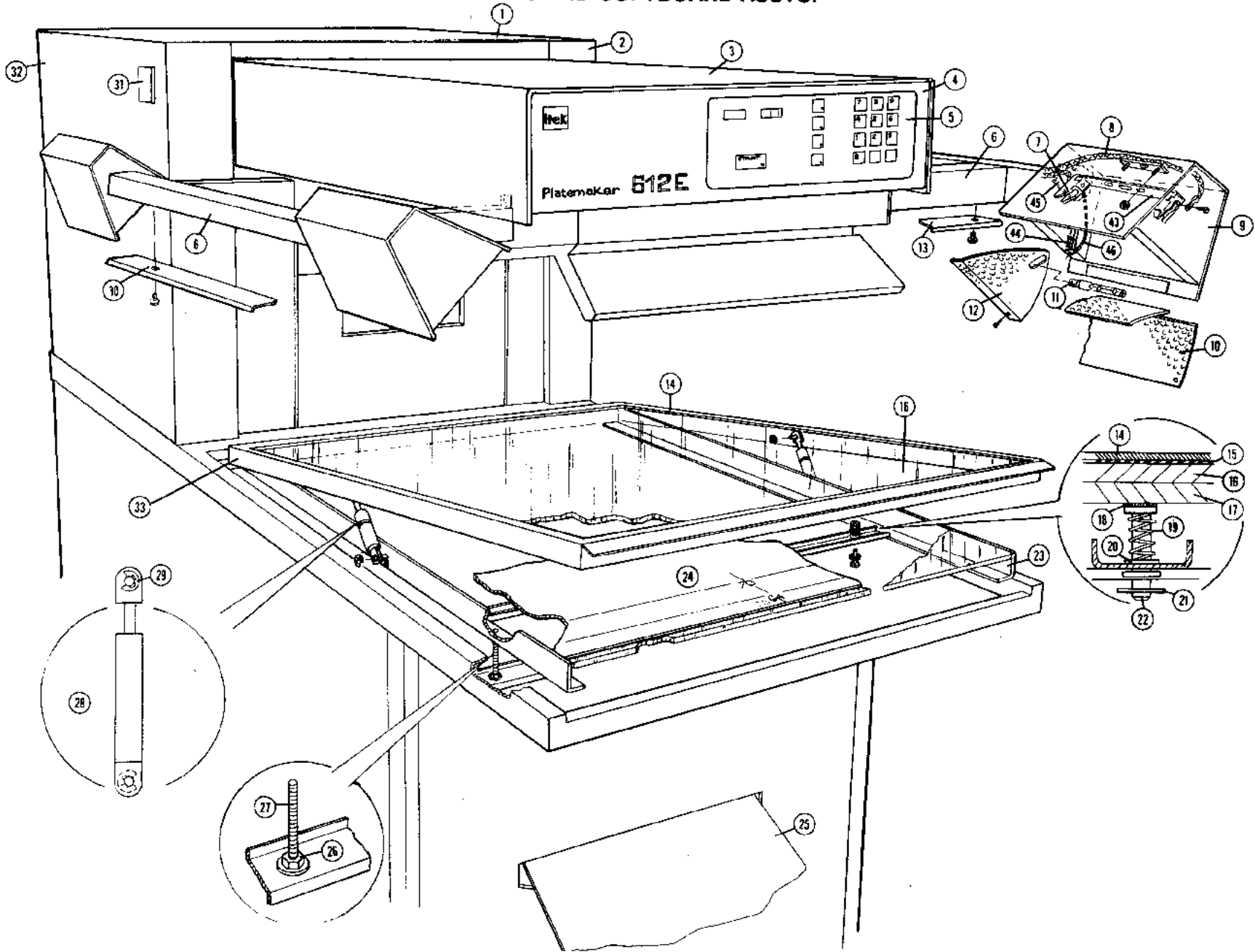


NOTICE: THIS CONTAINS CONFIDENTIAL, PROPRIETARY AND NON-PUBLIC INFORMATION OF ITC OMNITEX CORP. DUPLICATION OR REPRODUCTION IN WHOLE OR IN PART OR DISCLOSURE HEREOF TO UNAUTHORIZED PERSONS WITHOUT THE PRIOR WRITTEN CONSENT OF ITC OMNITEX CORP. OMNITEX SYSTEMS DIVISION IS PROHIBITED.

OVERHANG

REF.	DESCRIPTION	612 PART NO.	QTY.	615 PART NO.	AFTER S/N	612 USE P/N	615 P/N
1	Logo	19641701					
2	CPU board cable assy.	19972501					
3	Lamp cable - latch side	19973902					
NS	Lamp cable - hinge side	19973901					
4	Circuit breaker	09346500					
5	Slide - processor side			20084601			
6	Door assy.	20043701					
	Drip pan, door	20188301					
	Hinge hook	20042701	2				
	Hinge receiver	20042601					
7	Switch	19253001					
8	Slide - dryer side			20084701			
9	Stacker assy.	20075601		20158301			
10	Stacker guide assy.	20135901					
11	Hinge	19112501	4				
12	Foot	19604101					
13	Display board cable assy.	19972401					
14	D.C. power cable assy.	19972601					
15	Display P.C.B. assy.	20086701					
	Lamp, Red, "JAM"	19898001					
	Lamp, Red, "LTS"			20286802			
16	CPU P. C. B. Assy.	20161501					
17	Prom (U7)	20143801		20265601			
18	Bellows assy.	20069202		20113002			
19	Switch guard assy.	20167901					
20	Angle assy.	20178601		20178701			
21	Mounting plate	20180101					
22	Light shield	20178401		20178801			
NS	Door drip	20186001					
NS	Cabinet drip shield (front)	20185801		20186001		7/86	20186002
NS	Cabinet drip shield (back)	20185701		20185901		7/86	20185902
NS	Dryer interlock	19253001		19253001			
NS	615E Counter use the following parts:						
	Cable			20272401			
	Counter			20272501			
	Front plate assy.			20272601			

LAMPARMS AND COPYBOARD ASSYS.

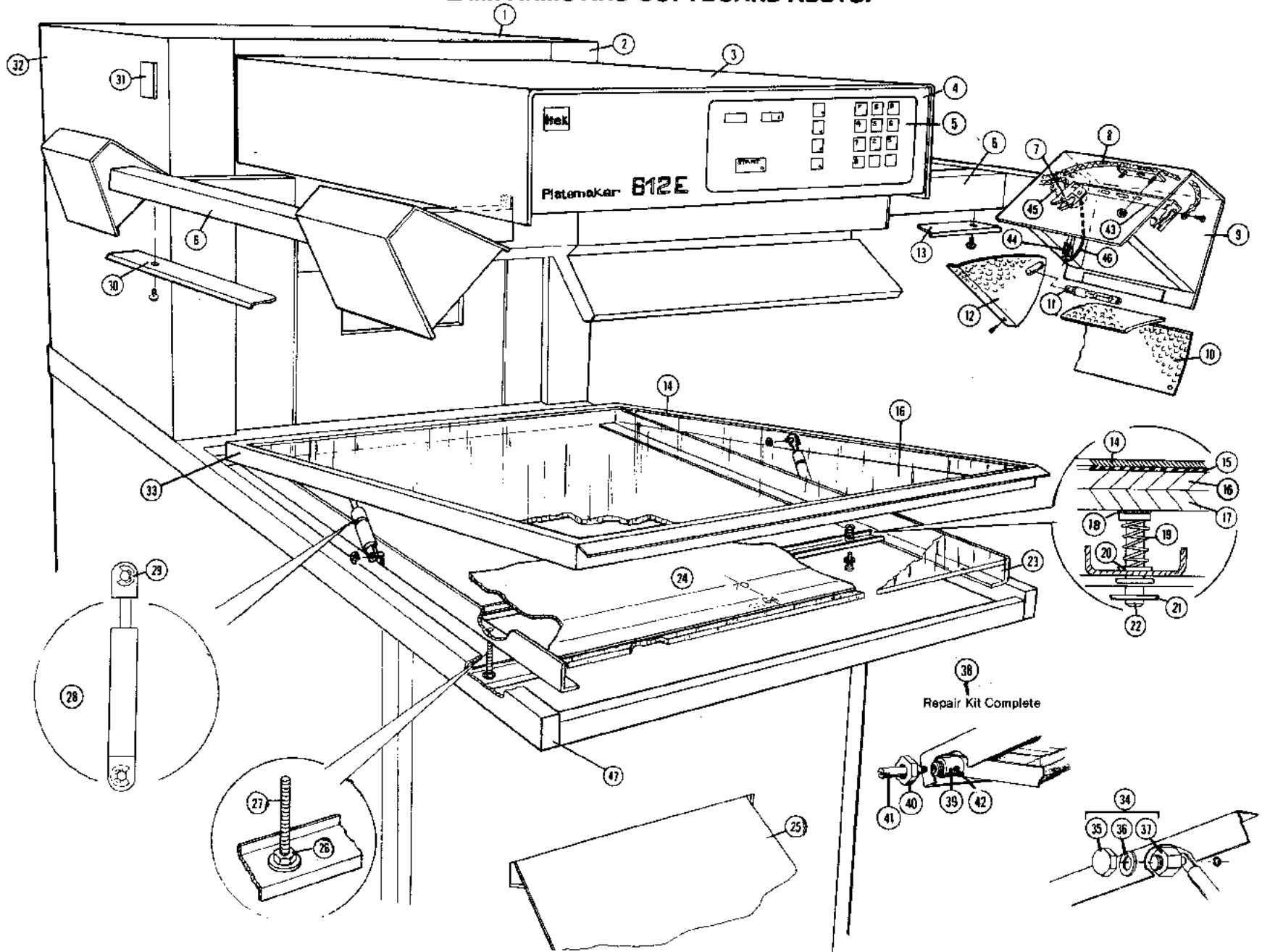


NOTICE: THIS CONTAINS CONFIDENTIAL, PROPRIETARY AND NON-PUBLIC INFORMATION OF TEK GRAPHIX CORP. DUPLICATION OR REPRODUCTION IN WHOLE OR IN PART AND DISSEMINATION HEREOF TO UNAUTHORIZED PERSONS WITHOUT THE PRIOR WRITTEN CONSENT OF TEK GRAPHIX CORP. GRAPHIX SYSTEMS DIVISION IS PROHIBITED.

REF.	DESCRIPTION	612 PART NO.	QTY.	615 PART NO.	AFTER S/N	612 USE P/N	615 P/N
1	Top Cover	20047601		20047602			
2	Side cover (latch side)	20048001					
3	Overhang cover assy.	20047701		20047703			
4	Control Panel (silk screen)	20082001		20127703			
5	Push button switch	20085001		20085002			
6	Fixed lamp banks	20111001	2	20136501			
	Movable lamp arms (H.S.)			20244601			20403601
	Movable lamp arms (L.S.)			20244701			20403501
7	Socket bracket assy.	20131201					
	Socket only	09188201	8				
8	Lamp socket wire	20131001					
9	Lamp shell assy. (P/O #6)	20107101					20213301
10	Reflector	09190100					20509701
	Machine screw 4-40 x 1/8"	H0030000					
11	Quartz lamp 500W	19068201					
12	Reflector end	09188700					20509601
13	Cover	20105100	4	20136800			
	Machine screw 10-32 x 3/8"	H0465400					
	Lock washer	H0155200					
	Flat washer	H0156200					
14	Cover weldment assy.	20152401		20120701			
15	Tape	40151356					
16	Cover glass	20097701		20097702			
17	Platen glass	20097801		20097802			
18	Adhesive	40143535	A/R				
	Adhesive Activator	40143536	A/R				
19	Compression spring	20125901	4	20185501			
20	Nyliner	06754700	4				
21	Retaining ring	H0933100	8				
NS	Copyboard assy. (includes Items 14 through 23)	20154501		20121101			
22	Platen stud	20422101	4				
23	Frame weldment assy.	20098901		20120801			
24	Chart (English/Metric)	20096501		20126901			
	Tape to affix chart	40151322					

NOTICE: THIS CONTAINS CONFIDENTIAL, PROPRIETARY AND NON-PUBLIC INFORMATION OF ITEN QUAMPHIX CORP. REPRODUCTION OR DISTRIBUTION IN WHOLE OR IN PART OR DISCLOSURE HEREOF TO UNAUTHORIZED PERSONS WITHOUT THE PRIOR WRITTEN CONSENT OF ITEN QUAMPHIX CORP. OR AFFILIATED SYSTEMS DIVISION IS PROHIBITED.

LAMPARMS AND COPYBOARD ASSYS.



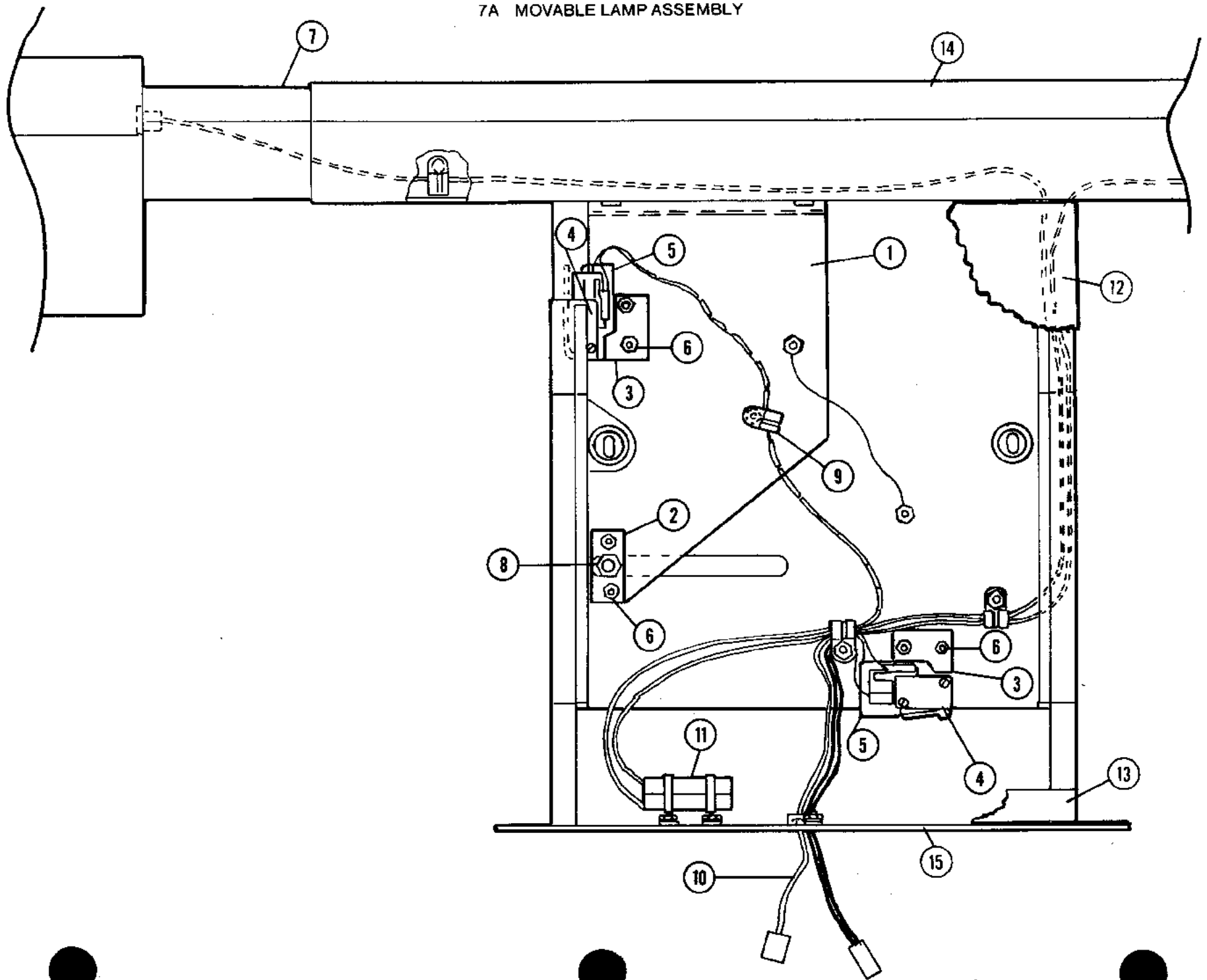
NOTICE: THIS CONTAINS CONFIDENTIAL, PROPRIETARY AND NON-PUBLIC INFORMATION OF ITEX GRAPHIX CORP. DUPLICATION OR REPRODUCTION IN WHOLE OR IN PART OR DISCLOSURE HEREOF TO UNAUTHORIZED PERSONS WITHOUT THE PRIOR WRITTEN CONSENT OF ITEX GRAPHIX CORP. GRAPHIC SYSTEMS DIVISION IS PROHIBITED.

Repair Kit Complete

REF.	DESCRIPTION	612 PART NO.	QTY.	615 PART NO.	AFTER S/N	612 USE P/N	615 P/N
25	Stacker assy.	20075601		20158301			
26	Nut, 1/4-20	H0124200	8				
27	Stud	H0484700	4				
28	Counter balance 9/16 dia.	20143401	2	20143401			
29	Retaining ring	H0933100	8				
30	Cover	20105600	2				
	Machine screw 10-32 x 3/8"	H0465400					
	Lock washer	H0155200					
	Flat washer	H0156200					
31	Logo	19641701					
32	Side cover (hinge side)	20070701					
	Door weld. assy. (rear)	20128601		20128701			
	Magnet, latch	08974200	2				
33	Hinge pin	20153401	2				
	Set screw (hinge)	H0113400					
	Nyliner (hinge)	06754703	2				
	Pointed baffle	20314001	4				
	(Service part only)						
34	Stud repair kit complete	20431501	A/R				
35	Nut, 10-32 cap	H0141000	A/R				
36	Lock washer, #10	H0155200	A/R				
37	Pivot stud	20431601	A/R				
38	Hinge repair kit complete	20447001	A/R				
39	Bearing	20446801	A/R				
40	Nut	H0127200	A/R				
41	Hinge pin	20446901	A/R				
42	Set screw	H0076400	A/R				
43	Lamp Bracket						20325801 (4)
44	Fastener						20355801 (16)
45	Clamp Plate						20358301 (4)
46	Wire assy., ground						20251801 (4)
47	End cap						19620702

NOTICE: THIS CONTAINS CONFIDENTIAL, PROPRIETARY AND NON-PUBLIC INFORMATION OF TEK GRAPHIX CORP. REPRODUCTION OR REPRODUCTION IN WHOLE OR IN PART, OR DISCLOSURE THEREOF TO UNAUTHORIZED PERSONS WITHOUT THE PRIOR WRITTEN CONSENT OF TEK GRAPHIX CORP. GRAPHIX SYSTEMS DIVISION IS PROHIBITED.

7A MOVABLE LAMP ASSEMBLY



NOTICE: THIS CONTAINS CONFIDENTIAL, PROPRIETARY AND NON-PUBLIC INFORMATION OF TETRAONIX CORP. REPRODUCTION OR REPRODUCTION IN WHOLE OR IN PART OR DISCLOSURE HEREOF TO UNAUTHORIZED PERSONS WITHOUT THE PRIOR WRITTEN CONSENT OF TETRAONIX CORP. GRAPHIC SYSTEMS DIVISION IS PROHIBITED.

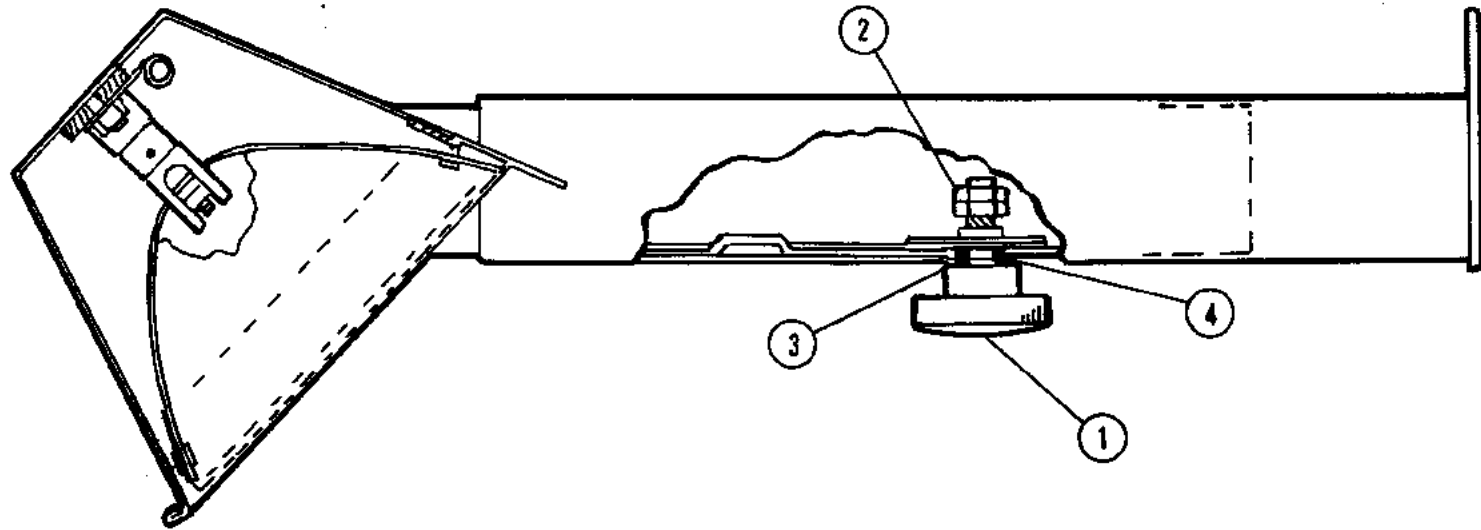
MOVABLE LAMP ASSEMBLY KIT

20247401

REF.	DESCRIPTION	612 PART NO.	QTY.	615 PART NO.	AFTER S/N	612 USE P/N	615 P/N
1	H.S. tie plate						20402701
NS	L.S. tie plate (right hand lamp bank)						20402601
2	Nut plate			20277601			
3	Switch bracket			19279501			
4	Switch			19057401			
5	Insulator			01094600			
6	Nut			H0144200			
7	H.S. front lamp arm						20402301
NS	L.S. front lamp arm (right hand lamp bank)						20402001
8	Jam nut			H0145400			
9	Wire clamp			09779700			
10	Lamp switch harness			20277101			
11	Commoning block			19166701			
12	Cover		2	20283301			20447301
13	Inner angle		2	20283401			20447101
14	Lamp arm weld. H.S.						20402201
	Lamp arm weld. L.S.						20402101
15	Mounting plate H.S.						20401901
	Mounting plate L.S.						20401801

Revised 2 /87

7C MOVABLE LAMP (Side View)



64 - 79% Lamps out

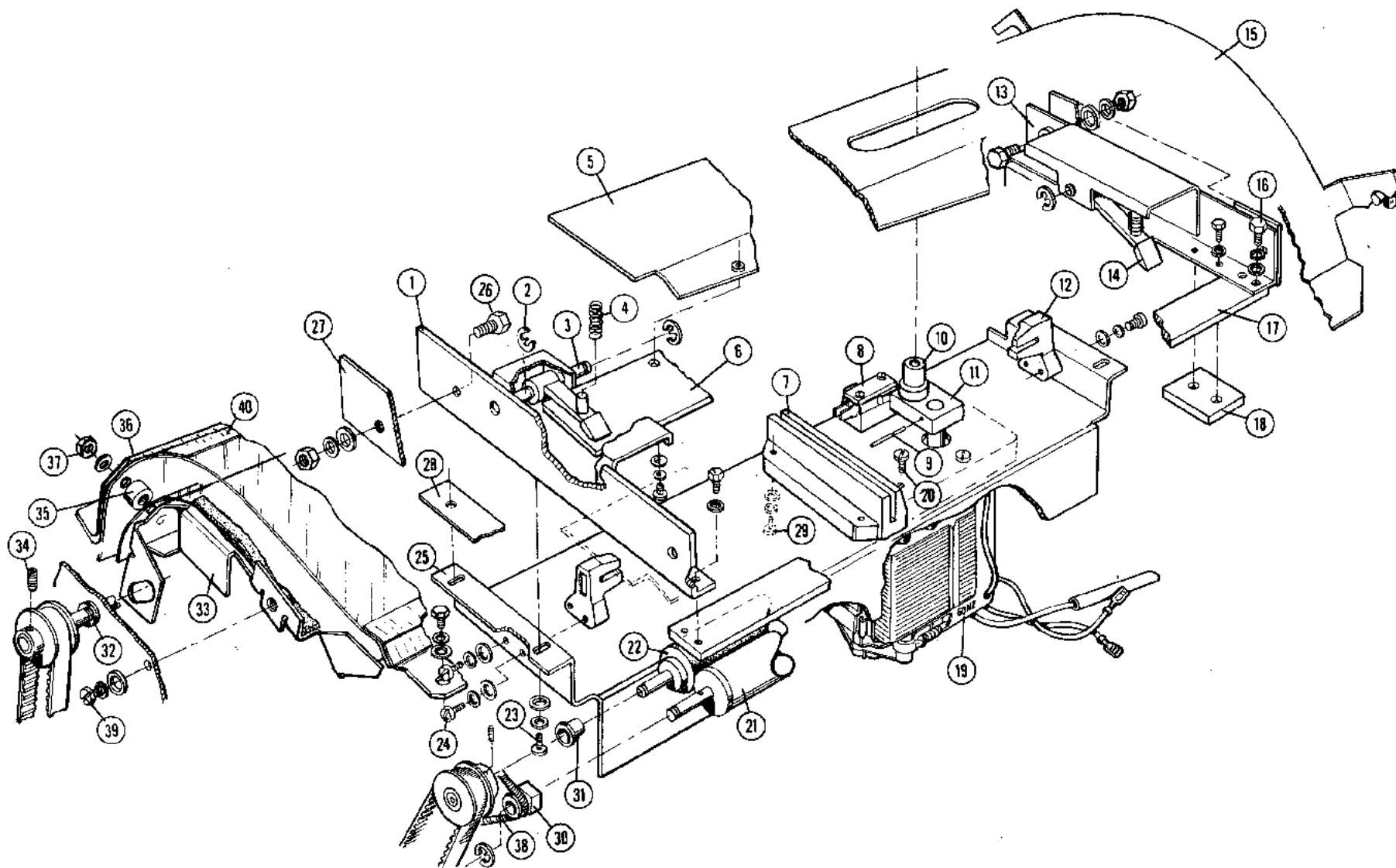
80 - 105% Lamps in

MOVABLE LAMP ASSEMBLY

REF.	DESCRIPTION	612 PART NO.	QTY.	615 PART NO.	AFTER S/N	612 USE P/N	615 P/N
1	Knob			20287001			
2	Jam nut			H0145400			
3	Plastic washer			40152481			
4	Bushing			20277701			

NOTICE: THIS CONTAINS CONFIDENTIAL, PROPRIETARY AND NON-PUBLIC INFORMATION OF ITR GARRIN CORP. REPRODUCTION OR REPRODUCTION IN WHOLE OR IN PART OR DISCLOSURE HEREOF TO UNAUTHORIZED PERSONS WITHOUT THE WRITTEN CONSENT OF ITR GARRIN CORP. GARRIN SYSTEMS DIVISION IS PROHIBITED.

KNIFE ASSEMBLY



NOTICE: THIS CONTAINS CONFIDENTIAL, PROPRIETARY AND NON-PUBLIC INFORMATION OF ITK GRAPHIX CORP. DUPLICATION OR REPRODUCTION IN WHOLE OR IN PART, OR DISCLOSURE HEREOF TO UNAUTHORIZED PERSONS WITHOUT THE PRIOR WRITTEN CONSENT OF ITK GRAPHIX CORP. GRAPHIC SYSTEMS DIVISION IS PROHIBITED.

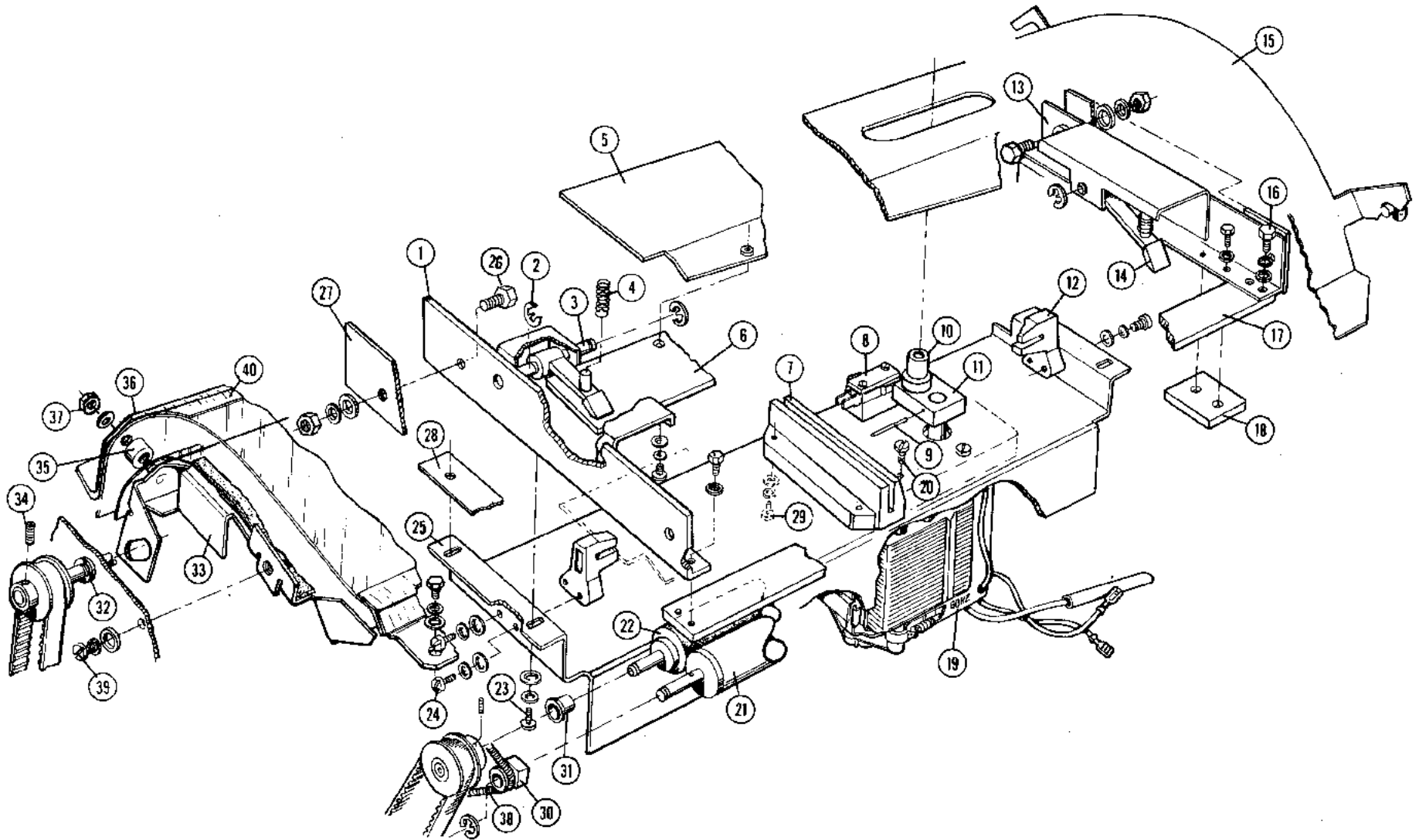
KNIFE ASSEMBLY

20074401 (612) 20094701 (615)

DOES NOT INCLUDE ITEMS # 15, 21, 22, 26, 27, 33, 36

REF.	DESCRIPTION	612 PART NO.	QTY.	615 PART NO.	AFTER S/N	612 USE P/N	615 P/N
1	Left support assy.	20073501		20160401			
2	Retaining ring	H0933100	4				
NS	Pin	19578201	1				
3	Pin	19578202	1				
4	Spring	09318900	2				
5	Plate assy.	19595101		20073901			
6	Moveable knife	19881801		20074301			
7	Guide block	20241001					
NS	Nut Plate	20241101					
8	Switch	01035702					
	Spacer	19440701	1				
	Machine screw 4-40 x 3/4"	H0584100	2				
	Nut plate	08949300	1				
9	Spirol pin	H0509100	1				
10	Roller	19308901		20191401			
11	Pivot plate assy.	20074601					
12	Guide block	19594401	2				
13	Right support assy.	20073401		20160301			
14	Spring block	19594601	2				
15	Upper paper guide assy.	20156501		20156601			
NS	Lower paper guide assy.	20185401		20156701			
NS	Upper cage liner	20156301		20156401			
16	Machine screw 10-32 x 3/8"	H0480000	6				
	Flat washer	H0156000	6				
	Lock washer	H0155200	6				
17	Stationary knife	19881301		20073801			
18	Pad	19551601					
19	Knife motor	19322801					
20	Machine screw 8-32	H0472100	10				
	Flat washer	H0156300					
	Lock washer	H0155100					

KNIFE ASSEMBLY



KNIFE ASSEMBLY

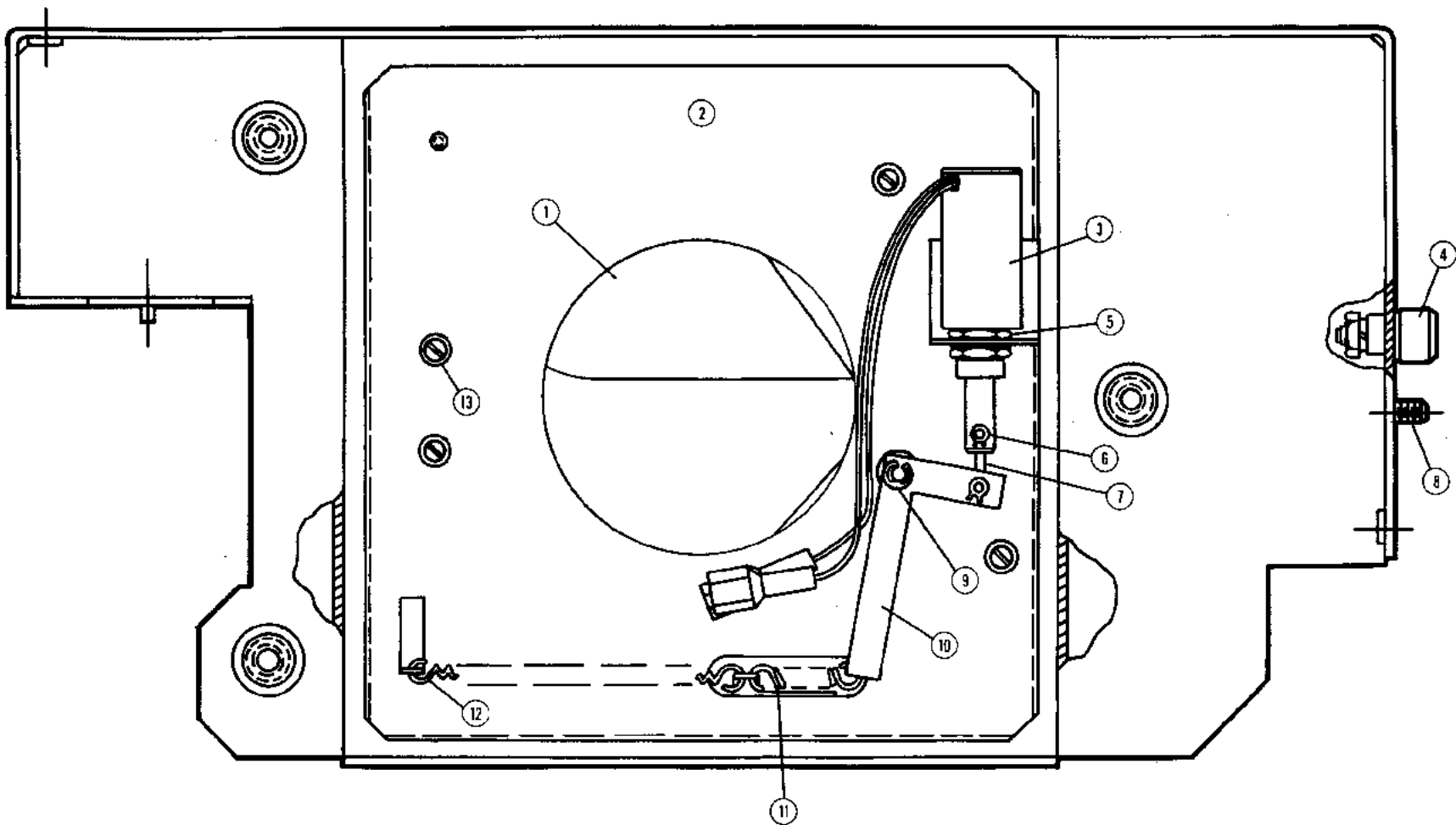
20094701 (615) 20074401 (612)

DOES NOT INCLUDE ITEMS #15, 21, 22, 26, 27, 33, 36

REF.	DESCRIPTION	612 PART NO.	QTY.	615 PART NO.	AFTER S/N	612 USE P/N	615 P/N
21	Back up roller assy.	20377201		20376901			
22	Paper drive roller	20083701		20083801			
23	Machine screw	H0586000	4	H0029600			
	Shoulder washer (Insulator)		4	20161401 (093)			20472101 .164"
	Lock washer	H0155100	4				
24	Machine screw 8-32 x 7/16	H0029600	10				
	Flat washer	H0156300	10				
	Lock washer	H0155100	10				
25	Motor bracket	20074501		20094602			
26	Machine screw 1/4-20 x 3/4	H0059300	4				
	Flat washer, 1/4	H0190100	4				
	Lock washer, 1/4	H0155300	4				
	Nut, 1/4 - 20	H0144300	4				
NS	Knife guard assy.	20499801		20499701			
27	Knife insulator	Not used	2	20160601			
28	Knife insulator	Not used		20160701			
NS	Knife insulator	Not used		20160801			
29	Screw	H0472300					
	Lock washer, #8	H0155100					
30	Bearing	01371601	2				
31	Bearing	09258021	2				
32	Bearing	20177901	2				
33	Lower paper guide	20244601		20245901		20303001	20303101
34	Set screw	H0113400				(clear plastic)	
35	Spacer	40150177	2				
36	Top guide assembly	20246701		20246001		20302201	20302301
37	Nut	H0144400	2			(clear plastic)	
	Washer, lock	H0155200	2				
	Washer, flat	H0156000	2				
38	Spring	20177701	2				
39	Bolt 1/4-20	H0065800	2				
	Washer, lock	H0155300	2				
	Washer, flat	H0156200	2				
40	Tape, 2" wide	40151357	16'				
	Upper & Lower guide assembled as one	20250901	11	20251001			

NOTICE: THIS CONTAINS CONFIDENTIAL, PROPRIETARY AND NON-PUBLIC INFORMATION OF ITX GRAPHIX CORP. REPRODUCTION OR REPRODUCTION IN WHOLE OR IN PART, OR DISSEMINATION HEREOF TO UNAUTHORIZED PERSONS WITHOUT THE PRIOR WRITTEN CONSENT OF ITX GRAPHIX CORP. GRAPHIC SYSTEMS DIVISION IS PROHIBITED.

LENS CARRIER ASSEMBLY



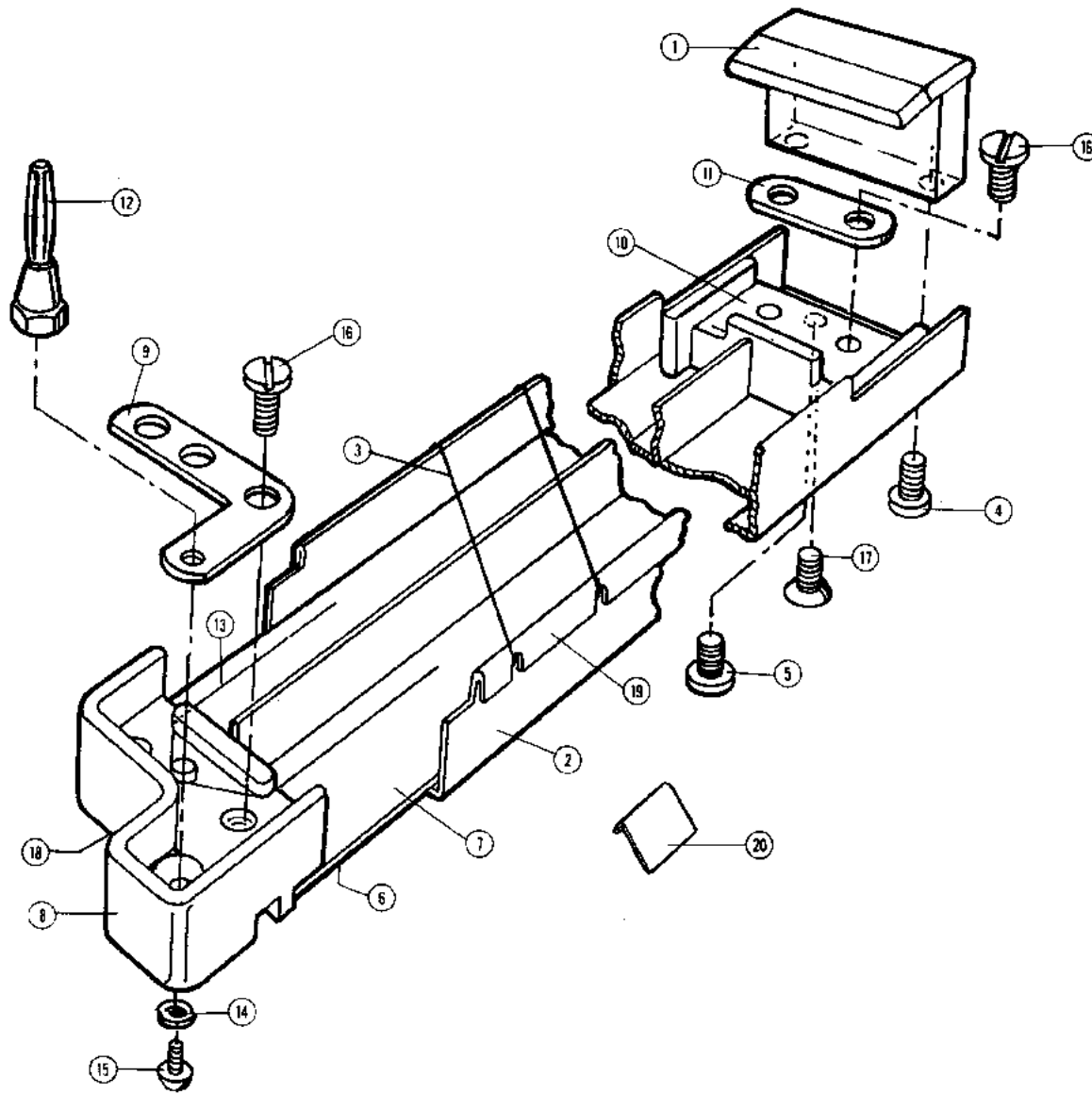
LENS CARRIER ASSEMBLY

20135201 (615) 20114101 (612)

REF.	DESCRIPTION	612 PART NO.	QTY.	615 PART NO.	AFTER S/N	612 USE-P/N	615 P/N
1	Shutter assy.	19633301					
2	Shutter plate weld. assy.	20100101					
3	Solenoid assy.	20135101					
4	Cam follower	09352900					
	Spacer	03658700					
	Lock washer	H0155200					
	Hex nut	H0144400					
5	Hex nut	H0136100					
6	Retaining ring	H0930700	2				
7	Link	19862801					
8	Cap screw	H0273200					
9	Retaining ring	H0932900					
10	Shutter link	19255801					
11	Spring extension	19255401					
12	Spring extension	19255501					
13	Machine screw 4-40 x 1/4"	H0586100	4				
	Lock washer	H0155700	4				

NOTICE: THIS CONTAINS CONFIDENTIAL, PROPRIETARY AND NON-PUBLIC INFORMATION OF ITR GRAPHIX CORP. REPLICATION OR REPRODUCTION IN WHOLE OR IN PART OR DISCLOSURE HEREOF TO UNAUTHORIZED PERSONS WITHOUT THE PRIOR WRITTEN CONSENT OF ITR GRAPHIX CORP. GRAPHIC SYSTEMS DIVISION IS PROHIBITED.

NEGATIVE CORONA ASSEMBLY COMPLETE



NOTICE: THIS CONTAINS CONFIDENTIAL, PROPRIETARY AND NON-PUBLIC INFORMATION OF ITT GRAYHIX CORP. DUPLICATION OR REPRODUCTION IN WHOLE OR IN PART, OR DISCLOSURE HEREOF TO UNAUTHORIZED PERSONS WITHOUT THE PRIOR WRITTEN CONSENT OF ITT GRAYHIX CORP. GRAPHIC SYSTEMS DIVISION IS PROHIBITED.

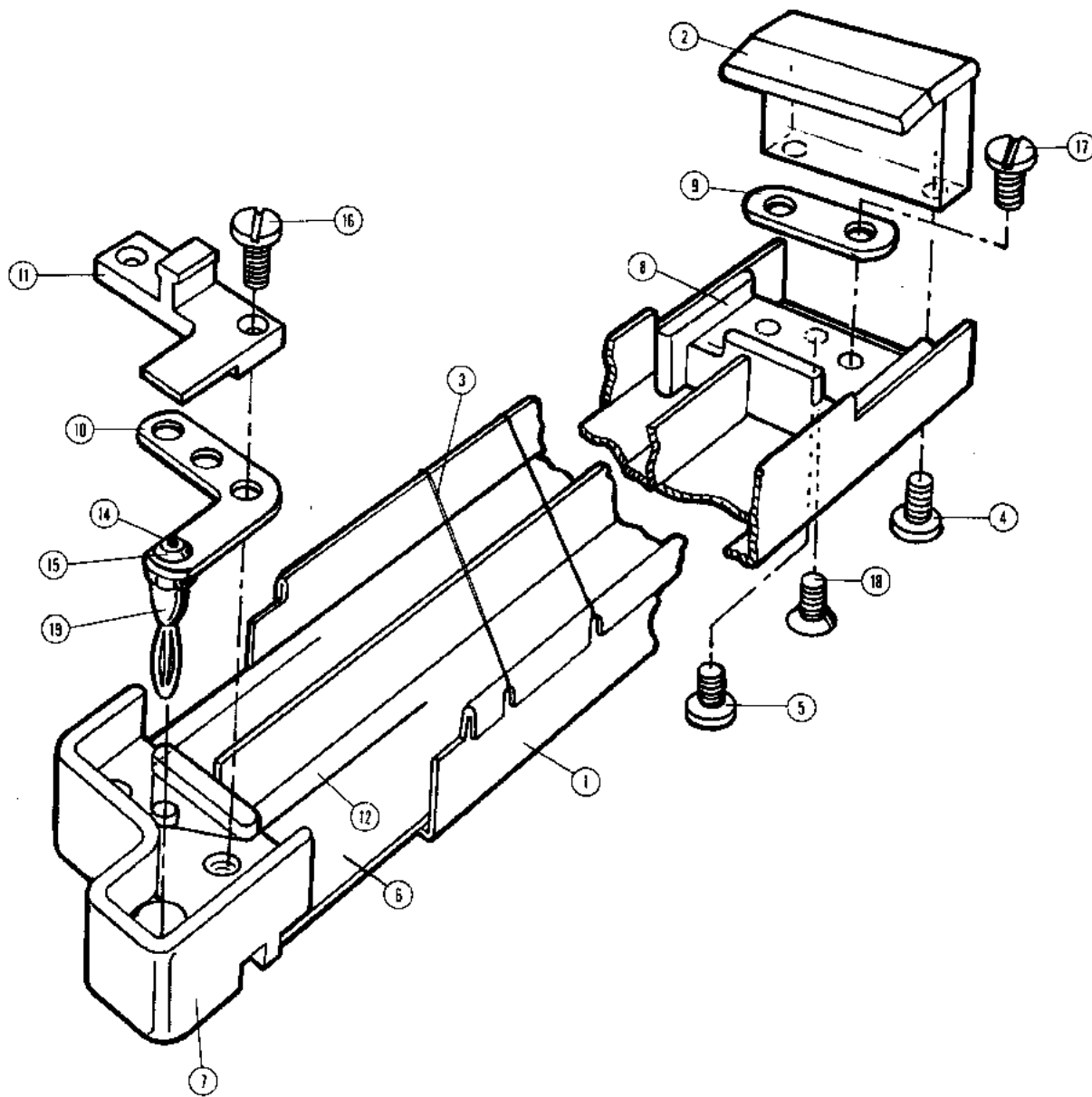
NEGATIVE CORONA ASSEMBLY COMPLETE

20157101 (615) 20076401 (612)

REF.	DESCRIPTION	612 PART NO.	QTY.	615 PART NO.	AFTER S/N	612 USE P/N	615 P/N
1	Locating block	19089101					
2	Channel	20079601		20162801			
3	Monofilament 4# test	01384801					
4	Screw	H0682200	2				
5	Screw	H0682300	2				
6	Label	01387501					
7	Shield	20076601		20157001			
8	Terminal block	19089301					
9	Terminal plate	19088901					
10	Insulation block	19089401					
11	Washer	19089001					
12	Plug	01365501					
13	Corona wire	19089701					
14	Washer	H0155000					
15	Screw	H0319900					
16	Screw	H0682300	2				
17	Screw	H0682400	2				
18	Shoulder screw	19088701					
19	Insulator	06772902		067729005			
20	Tab	20145901	2				
NS	Corona tab retainer (Ref. LRP Bulletin #025)	20271101	1	20271101			
	Epoxy Glue	TK071400	A/R				

NOTICE: THIS CONTAINS CONFIDENTIAL, PROPRIETARY AND NON-PUBLIC INFORMATION OF ITC GRAFTIX CORP. DUPLICATION OR REPRODUCTION IN WHOLE OR IN PART OR DISCLOSURE HEREOF TO UNAUTHORIZED PERSONS WITHOUT THE PRIOR WRITTEN CONSENT OF ITC GRAFTIX CORP. GRAFTIX SYSTEMS DIVISION IS PROHIBITED.

POSITIVE CORONA ASSEMBLY COMPLETE



NOTICE: THIS CONTAINS CONFIDENTIAL, PROPRIETARY AND NON-PUBLIC INFORMATION OF TTK GRAPHIC CORP. DUPLICATION OR REPRODUCTION IN WHOLE OR IN PART OR DISCLOSURE HEREOF TO UNAUTHORIZED PERSONS WITHOUT THE PRIOR WRITTEN CONSENT OF TTK GRAPHIC CORP. GRAPHIC SYSTEMS DIVISION IS PROHIBITED.

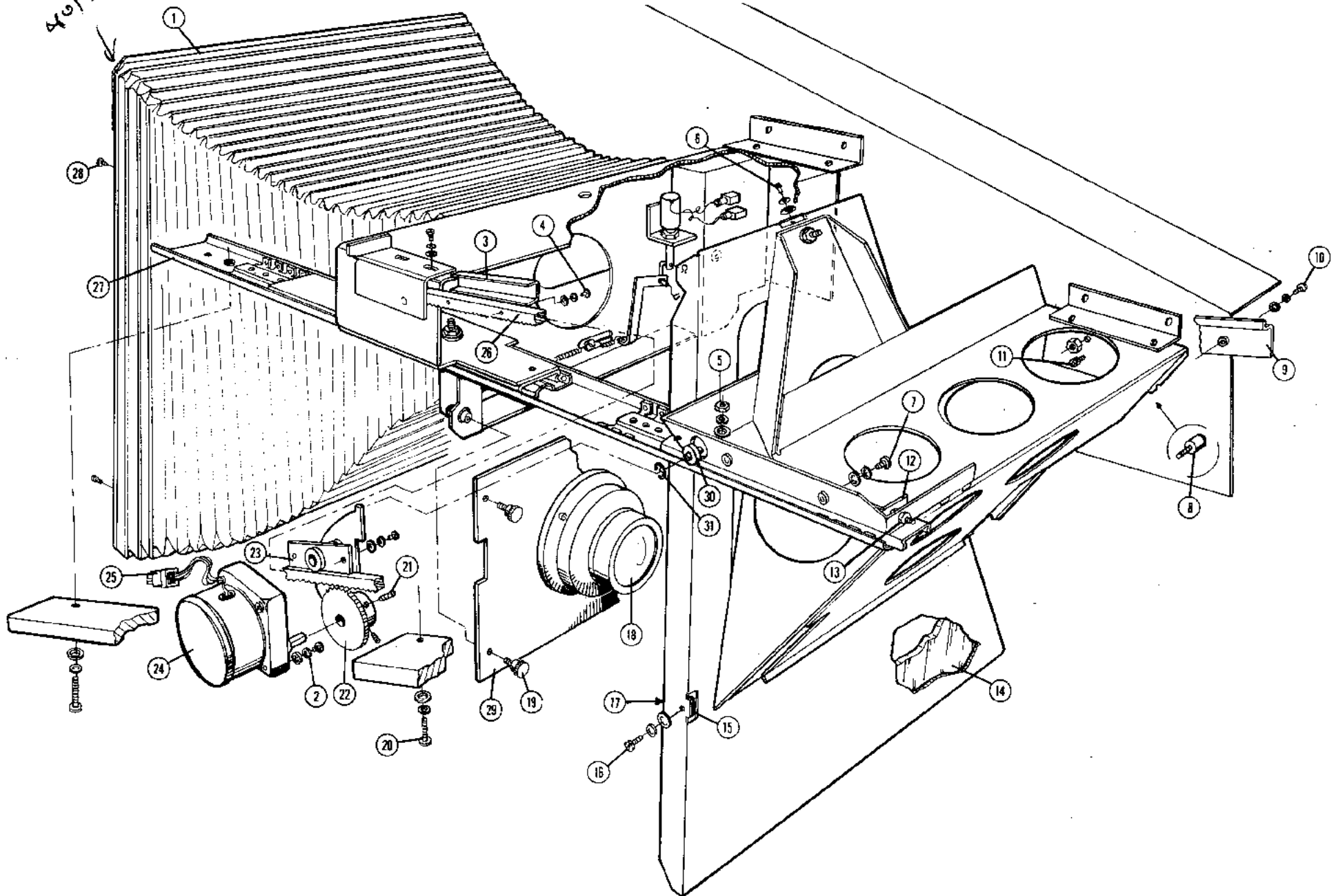
POSITIVE CORONA ASSEMBLY COMPLETE

20290601 (615) 20076701 (612)

REF.	DESCRIPTION	612 PART NO.	QTY.	615 PART NO.	AFTER S/N	612 USE P/N	615 P/N
1	Channel	20078801		20277501			
2	Locating block	19089101					
3	Monofilament - 4# test	01384801					
4	Screw	H0682200					
5	Screw	H0682300					
6	Shield	20076601		20079501			
7	Terminal block	19089301					
8	Insulation block	19089401					
9	Washer	19089001					
10	Terminal plate	19088901					
11	Finger grip	19088601					
12	Corona wire	19089701					
NS	Shoulder screw	19088701					
14	Screw	H0319900					
15	Washer	H0155000					
16	Screw	H0682100					
17	Screw	H0682300					
18	Screw	H0682400					
19	Plug	01365501					

NOTICE: THIS CONTAINS CONFIDENTIAL, PROPRIETARY AND NON-PUBLIC INFORMATION OF ITT GRANTHAUX CORP. DUPLICATION OR REPRODUCTION IN WHOLE OR IN PART OR DISCLOSURE HEREOF TO UNAUTHORIZED PERSONS WITHOUT THE PRIOR WRITTEN CONSENT OF ITT GRANTHAUX CORP. GRAPHIC SYSTEMS DIVISION IS PROHIBITED.

OPTICS ASSEMBLY



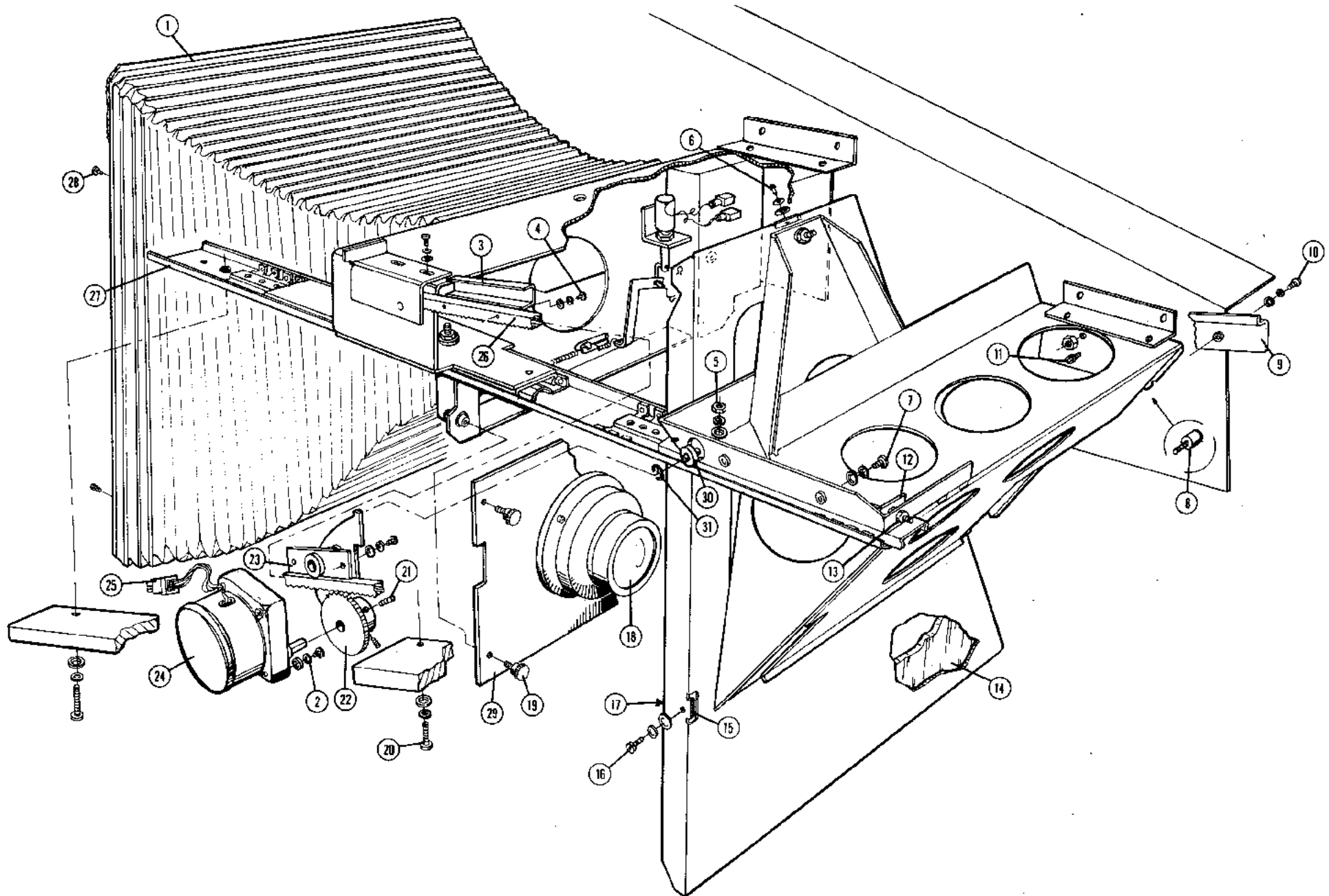
NOTICE: THIS CONTAINS CONFIDENTIAL, PROPRIETARY AND NON-PATENTABLE INFORMATION OF ITT GRAPHIC CORP. DISCLOSURE OR REPRODUCTION IN WHOLE OR IN PART OR IN ANY MANNER HEREOF TO UNAUTHORIZED PERSONS WITHOUT THE PRIOR WRITTEN CONSENT OF ITT GRAPHIC CORP. GRAPHIC SYSTEMS DIVISION IS PROHIBITED.

OPTICS ASSEMBLY

REF.	DESCRIPTION	612 PART NO.	QTY.	615 PART NO.	AFTER S/N	612 USE P/N	615 P/N
1	Bellows assy.	20069202		20113002			
2	Machine screw 8-32 x 3/8"	H0472100					
	Flat washer	H0156300					
	Lock washer	H0155100					
3	Switch actuator, 100%	20110001					
4	Machine screw 8-32 x 1/4"	H0471900					
	Lock washer	H0155200					
	Flat washer	H0156300					
5	Hex nut 10-32	H0144400					
	Flat washer	H0156200					
	Lock washer	H0155200					
6	Machine screw 8-32 x 1/4"	H0471900					
	Lock washer	H0155100					
	Flat washer	H0156300					
7	Machine screw 10-32 x 3/8"	H0465400					
	Lock washer	H0155200					
	Flat washer	H0190200					
8	Cam follower	09352900					
	Spacer	03658700					
	Lock washer	H0155200					
	Hex nut 10-32	H0144400					
9	Guide rail assy.	20112102					
10	Machine screw 10-32 x 3/8"	H0465400					
	Lock washer	H0155200					
	Flat washer	H0156200					
11	Cap screw 10-32 x 3/8"	H0273200					
12	Cam follower bracket assy.	20192101					
13	Hex nut 10-32	H0144400					

NOTICE: THIS CONTAINS CONFIDENTIAL, PROPRIETARY AND NON-PUBLIC INFORMATION OF ITK GRAPHIX CORP. DISSEMINATION OR REPRODUCTION IN WHOLE OR IN PART, OR DISCLOSURE HEREOF TO UNAUTHORIZED PERSONS WITHOUT THE PRIOR WRITTEN CONSENT OF ITK GRAPHIX CORP. GRAPHIC SYSTEMS DIVISION IS PROHIBITED.

OPTICS ASSEMBLY



NOTICE: THIS CONTAINS CONFIDENTIAL, PROPRIETARY AND NON-PUBLIC INFORMATION OF ITT GRAYHILL CORP. REPRODUCTION OR REPRODUCTION IN WHOLE OR IN PART OR DISCLOSURE HEREOF TO UNAUTHORIZED PERSONS WITHOUT THE PRIOR WRITTEN CONSENT OF ITT GRAYHILL CORP. GRAPHIC SYSTEMS DIVISION IS PROHIBITED.

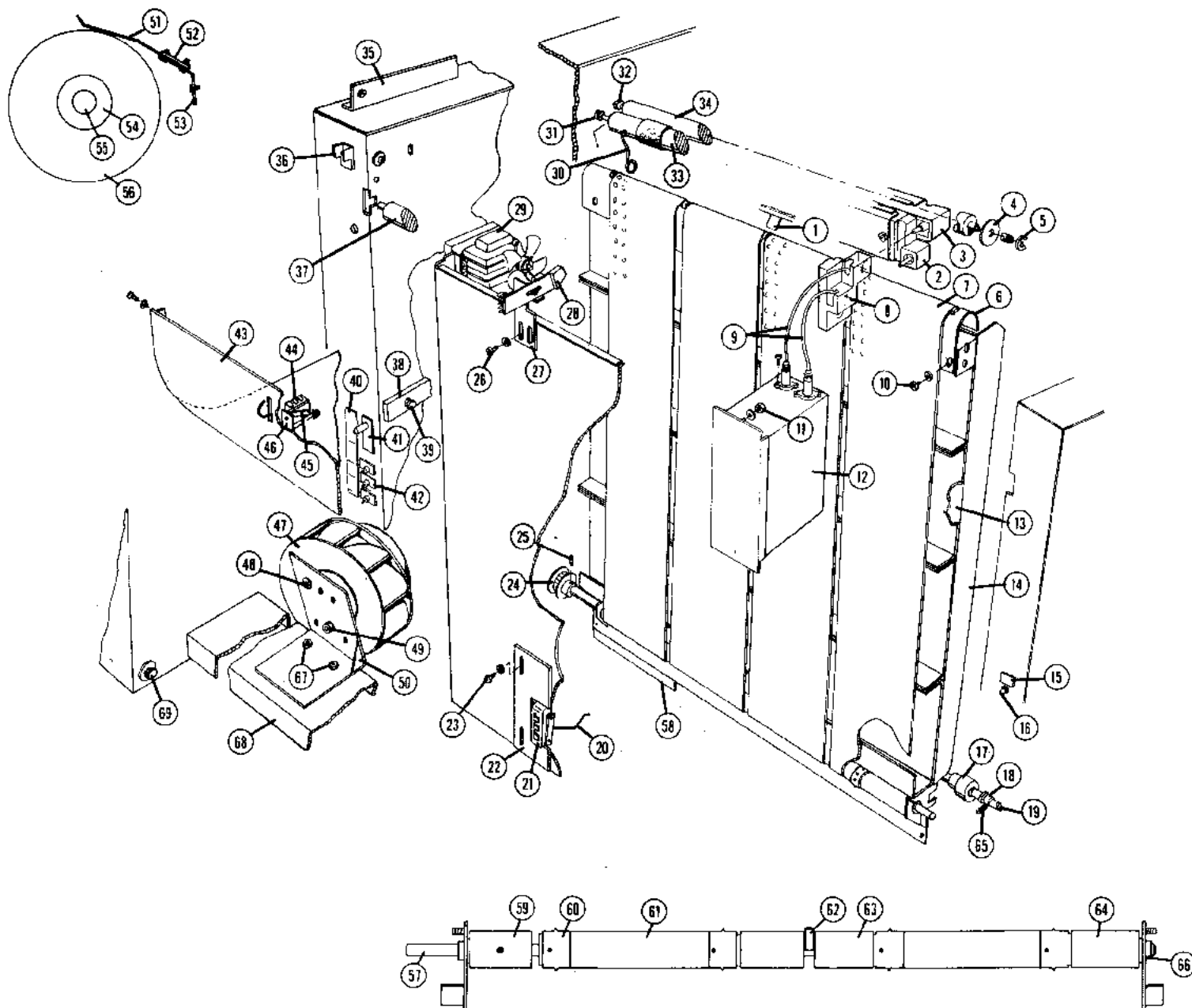
OPTICS ASSEMBLY

REF.	DESCRIPTION	612 PART NO.	QTY.	615 PART NO.	AFTER S/N	612 USE P/N	615 P/N
14	Mirror	20084101		20094401			
15	Tape (cork pad)	PL841900					
16	Machine screw 8-32 x 1/4"	H0471900					
	Lock washer	H0155100					
	Flat washer	H0156300					
17	Mirror clip assy.	20118301					
18	Lens	20517302					
19	Allen screw	H0320800					
20	Machine screw 10-32 x 1"	H0065700					
	Lock washer	H0155200					
	Flat washer	H0156200					
21	Set screw 10-32 x 3/8"	H0116400					
22	Mirror cam assy.	20110301					
23	Hold down assy.	20109701					
24	Stepper motor assy.	20093301					
25	Connector - plug	40132905					
26	Gear rack	20083101					
27	Ball slide assy.	20110101					
28	Machine screw 6-32 x 1/4"	H0470100					
NS	Transmissive sensor	20065201					
29	Lens plate	20384901					
NS	Transmissive sensor	20065201					
30	Bushing	09258004					
31	E-Ring	H0927200					

NOTICE: THIS CONTAINS CONFIDENTIAL, PROPRIETARY AND NON-PUBLIC INFORMATION OF ITT GRAMMIX CORP. DISCLOSURE OR REPRODUCTION IN WHOLE OR IN PART, OR DISCLOSURE HEREOF TO UNAUTHORIZED PERSONS WITHOUT THE PRIOR WRITTEN CONSENT OF ITT GRAMMIX CORP. GRAPHIC SYSTEMS DIVISION IS PROHIBITED.

21A
FOCAL PLANE

615 Serial No. 1200 and above



NOTICE: THIS CONTAINS CONFIDENTIAL, PROPRIETARY AND NON-PUBLIC INFORMATION OF ITT, GRAPHIX CORP. DUPLICATION OR REPRODUCTION IN WHOLE OR IN PART, OR DISKLOADING, REPRODUCTION, OR TRANSMISSION OF ANY INFORMATION CONTAINED HEREIN WITHOUT THE PRIOR WRITTEN CONSENT OF ITT, GRAPHIX CORP., GRAPHIX SYSTEMS DIVISION IS PROHIBITED.

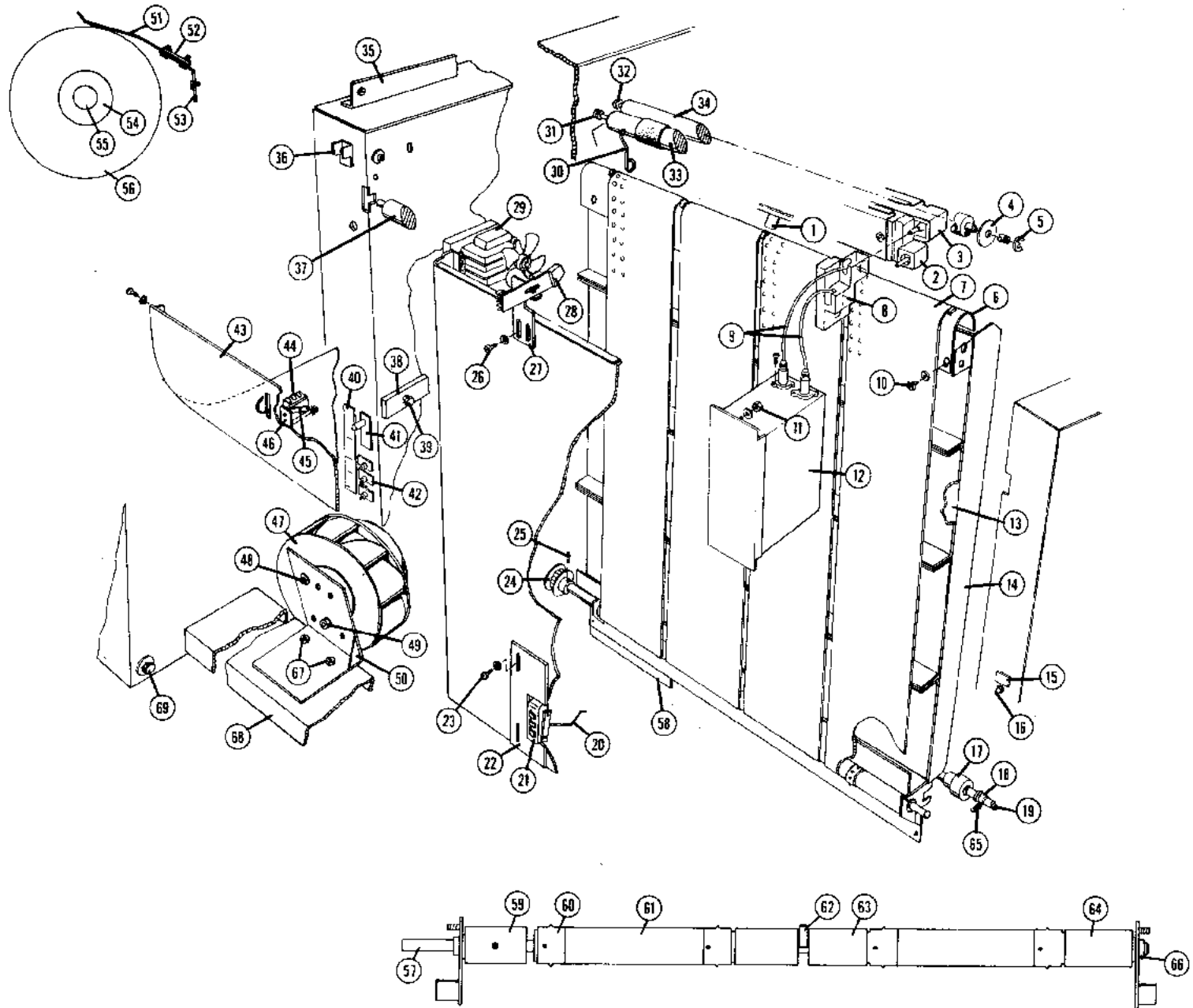
FOCAL PLANE

REF.	DESCRIPTION	PART NO.	QTY.	REF.	DESCRIPTION	PART NO.	QTY.
1	Tab	20145901	2	17	Roller only	20157901	2
2	Corona, Positive	20290601	1	18	Bearing	01371601	2
3	Corona, Negative	20157101	1	19	Roller & shaft assy complete	20319801	1
4	Washer, plastic	40152478	2		E-Ring	H0933100	2
5	"E" Ring	H0933100	2		Retaining ring	H0929000	2
6	Upper belt guide	20318501	1	20	Actuator	20150001	1
7	Teflon Tape	40151359	4		Sleeving	E0189000	A/R
	Belt	20503101	4	21	Switch	19285001	1
8	Terminal block	19089201	1	22	Switch bracket	20273501	1
	Screw, 1/4-20 x 1/2	H0468300	2		Screw, 4-40 x 3/4	H0584100	2
	Lock washer, 1/4	H0155300	2		Flat washer, #4	H0156500	2
	Screw, 6-32 x 3/4	H0065400	2		Lock washer, #4	H0155700	2
	Lock washer, #6	H0158300	2	23	Screw, 8-32 x 3/4	H0472100	2
9	High voltage connector	01358902	2		Flat washer, #8	H0156300	2
	Terminal	01365401	2		Lock washer, #8	H0155100	2
10	Screw, 10-32 x 3/4	H0465400	2	24	Pulley	20096101	1
	Lock washer, #10	H0155200	2	25	Pin, 3/32 x 3/4	H0507700	1
	Flat washer, #10	H0156000	2	26	Screw, 10-32 x 3/4	H0465400	2
11	Screw, 1/4-21 x 1/2	H0477800	2		Flat washer, #10	H0156000	2
	Flat washer, 1/4	H0156200	2		Lock washer, #10	H0155200	2
	Lock washer, 1/4	H0155300	2	27	Sensor bracket	20127201	1
	Nut, 1/4-20	H0144300	2		Screw, 10-32 x 3/4	H0465400	2
12	Power Supply 50/60 Hz	20345701	1		Flat washer, #10	H0156000	2
13	Platen overlay	20342001	1		Lock washer, #10	H0155200	2
	Tape	40151322	A/R	28	Reflective sensor assembly	20378501	1
14	Platen assy. complete	20342101	1		Screw, 4-40 x 5/16	H0585200	1
	Screw, 10-32 x 3/4	H0465400	4		Nut, 4-40	H0144500	1
	Flat washer, #10	H0156000	4		Lock washer, #4	H0155700	1
	Lock washer, #10	H0155200	4		Flat washer, #4	H0156500	1
15	Label	20142601	1	29	Motor	09096201	2
16	Switch	20355301	1				

NOTICE: THIS CONTAINS CONFIDENTIAL, PROPRIETARY AND NON-PUBLIC INFORMATION OF ITK GRAPHIX CORP. DISCLOSURE OR REPRODUCTION IN WHOLE OR IN PART, OR IN ANY MANNER, WITHOUT THE WRITTEN AUTHORIZATION OF ITK GRAPHIX CORP. GRAPHIC SYSTEMS DIVISION IS PROHIBITED.

21C
FOCAL PLANE

615 Serial No 1200 and above

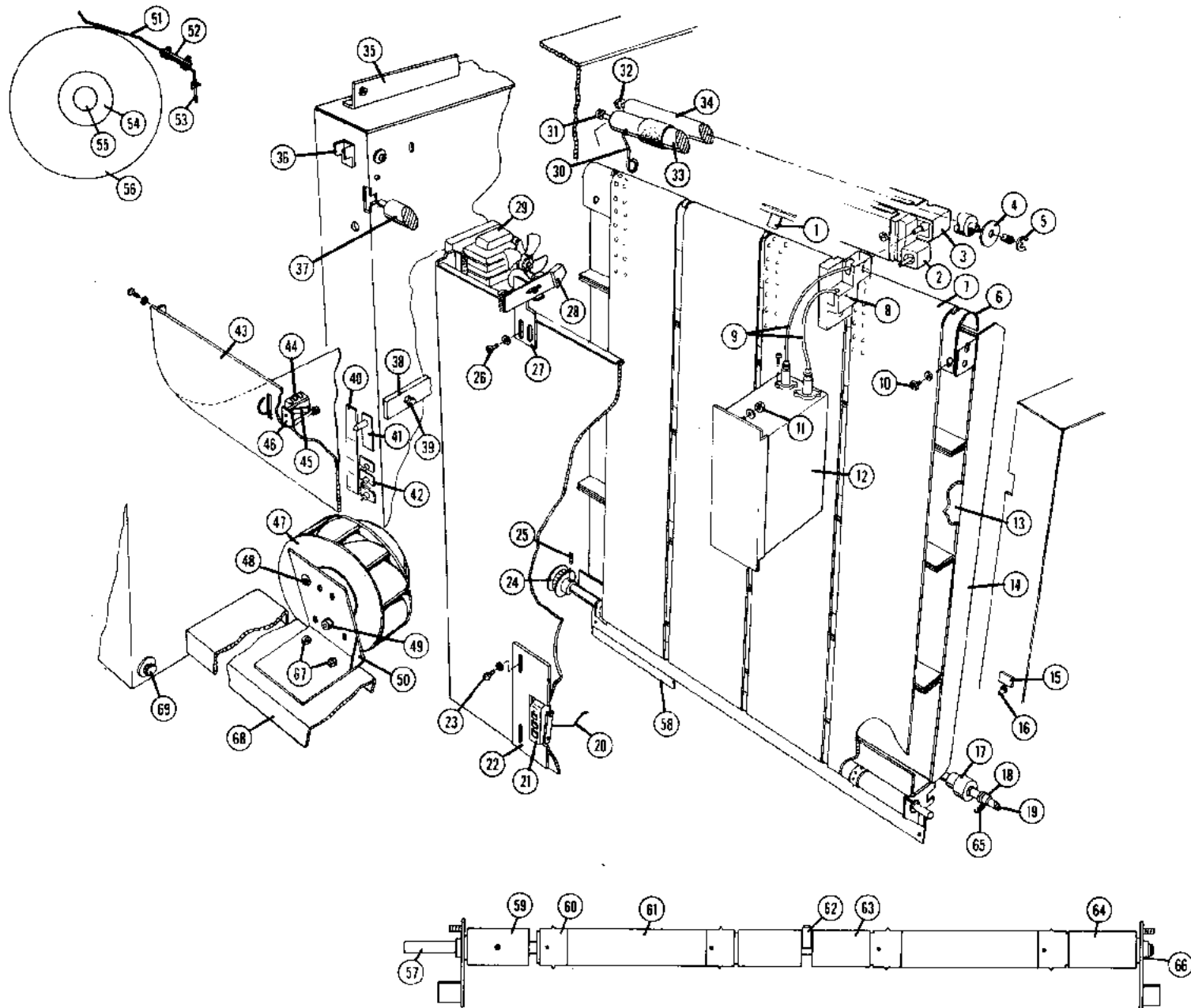


NOTICE: THIS CONTAINS CONFIDENTIAL, PROPRIETARY AND NON-PUBLIC INFORMATION OF ITEX GRAPHIX CORP. DUPLICATION OR REPRODUCTION IN WHOLE OR IN PART OR DISCLOSURE HEREOF TO UNAUTHORIZED PERSONS WITHOUT THE PROMANITTED CONSENT OF ITEX GRAPHIX CORP. GRAPHIX SYSTEMS DIVISION IS PROHIBITED.

REF.	DESCRIPTION	PART NO.	QTY.	REF.	DESCRIPTION	PART NO.	QTY.
30	Spring	01371502	2	47	Centrifugal blower	20093401	2
	Screw, 8-32 x 7/16	H0029600	2		Blower plate	20130401	2
	Nut, 8-32	H0144200	2	48	Screw, M4 x 10 metric	H0725000	8
	Lock washer, #8	H0155100	2		Flat washer, #8	H0156300	8
31	Bearing	20177901	2		Lock washer, #8	H0155100	8
32	Bearing	01371601	2	49	Nut, 1/4-20	H0144300	4
33	Roller	20083001	1		Flat washer, 1/4	H0156200	4
34	Roller	20311701	1		Lock washer, 1/4	H0155300	4
35	Angle bracket	20047101	1	50	Blower mount	20130301	2
36	Switch, interlock	20286901	1	51	Spring	20124301	2
	Cheater, switch	20323301	A/R	52	Plate assembly	20124401	2
37	Backup roller	20377201	1		Screw, 8-32 x 3/4	H0472100	4
38	Paper roller bearing	20292301	4		Lock washer, #8	H0155100	4
39	Screw, 8-32 x 3/8	H0472300	2		Flat washer, #8	H0156300	4
	Flat washer, #8	H0156300	2	53	Paper tension bracket	20122901	1
	Lock washer, #8	H0155100	2		Screw, 8-32 x 3/8	H0472100	2
40	Label	20202301	1		Lock washer, #8	H0155100	2
41	Switch	20128501	1	54	Nut	19162901	2
42	Circuit breaker	40121703	3	55	Spool shaft	20106101	1
43	Upper guide & switch assembly	20156201	1		Screw, shaft end	H0682200	1
	Screw, 8-32 x 3/8	H0472100	4		Nut, 8-32	H0144200	1
	Lock washer, #8	H0155100	4	56	Spool end	19162201	2
44	Switch	19285001	1	57	Shaft, platen roller	20319001	1
	Actuator	40140302	1	58	Input guide	20319201	1
	Nut plate	19066001	1		Washer, special	19341401	2
	Screw, 4-40 x 3/4	H0584100	2		Washer, special	20146301	2
	Flat washer, #4	H0156500	2		Nut, 6-32	H0904000	2
	Lock washer, #4	H0155700	2	59	Roller segment, adj.	20318701	1
46	Switch bracket	20106901	1		Set screw, 10-32 x 1/4	H0691500	1
	Nut, 6-32	H0144100	2	60	Sprocket	20180901	4
	Lock washer, #6	H0155000	2		Pin, 3/32 x 7/8	H0513700	4
	Flat washer, #6	H0156400	2	61	Roller segment	20203201	2

21E
FOCAL PLANE

615 Serial No 1200 and above



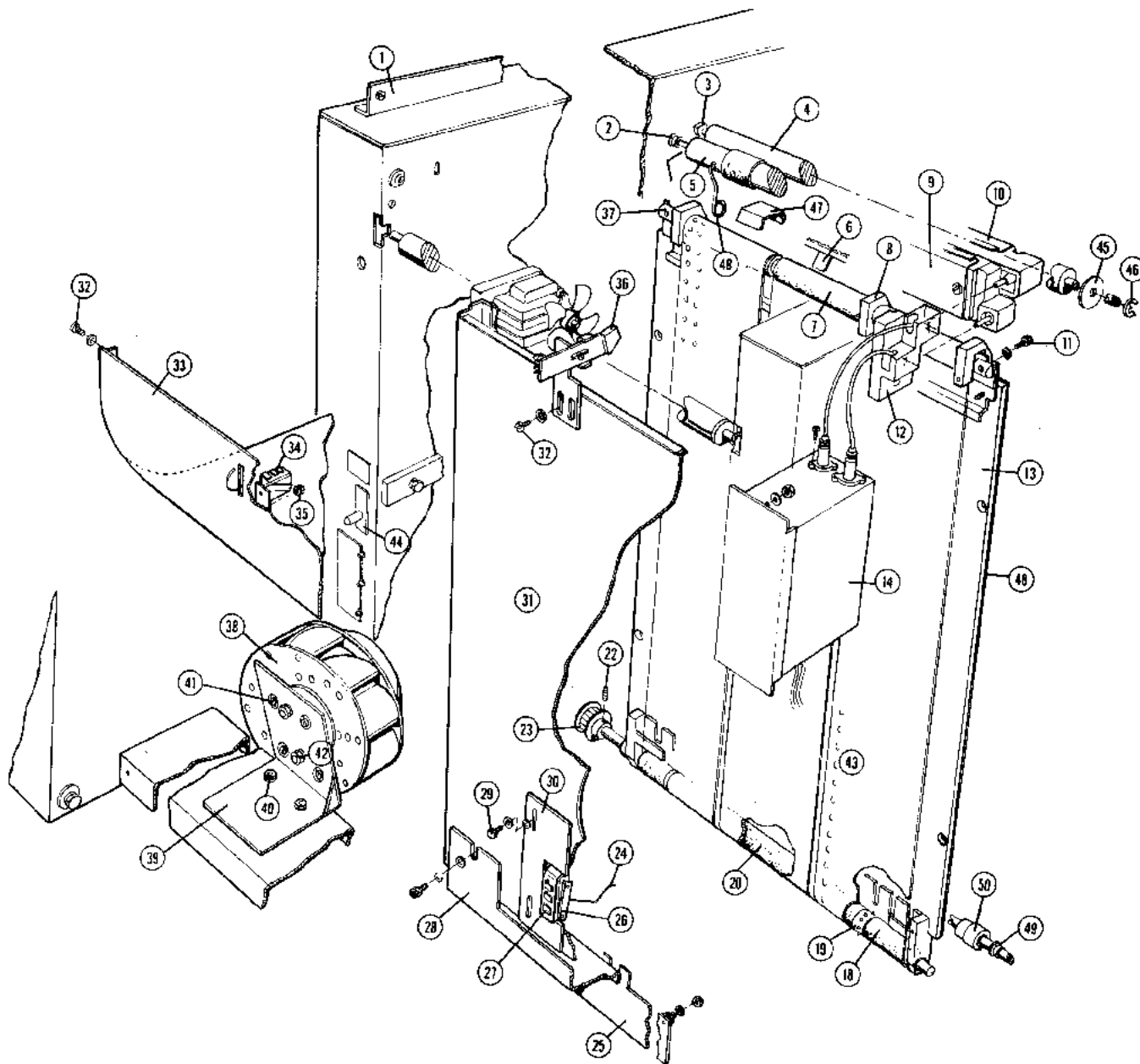
NOTICE: THIS CONTAINS CONFIDENTIAL, PROPRIETARY AND NON-PUBLIC INFORMATION OF THE GRAPHIC CORP. REPLICATION OR REPRODUCTION IN WHOLE OR IN PART OR DISCLOSURE HEREOF TO UNAUTHORIZED PERSONS WITHOUT THE PROMWRITTEN CONSENT OF THE GRAPHIC CORP. GRAPHIC SYSTEMS DIVISION IS PROHIBITED.

FOCAL PLANE

REF.	DESCRIPTION	PART NO.	QTY.
62	Center bearing	20319901	1
	Set screw, 6-32 x 3/8	H0077400	2
63	Roller segment	20318901	2
64	Roller segment	20318801	1
65	Spring	09572400	2
66	Bearing	09258014	2
67	Screw, 1/4-20 x 1/2	H0477800	4
	Flat washer, 1/4	H0156200	4
	Lock washer, 1/4	H0155300	4
68	Tie bar	20123801	1
69	Screw, 1/4-20 x 1/2	H0477800	4
	Lock washer, 1/4	H0155300	4
	Flat washer, 1/4	H0156200	4

NOTICE: THIS CONTAINS CONFIDENTIAL, PROPRIETARY AND NON-PUBLIC INFORMATION OF ITRK GRAPHIX CORP. DUPLICATION OR REPRODUCTION IN WHOLE OR IN PART OR DISCLOSURE HEREOF TO UNAUTHORIZED PERSONS WITHOUT THE PRIOR WRITTEN CONSENT OF ITRK GRAPHIX CORP. GRAPHIC SYSTEMS DIVISION IS PROHIBITED.

FOCAL PLANE

615 Serial No 1199 and below

FOCAL PLANE

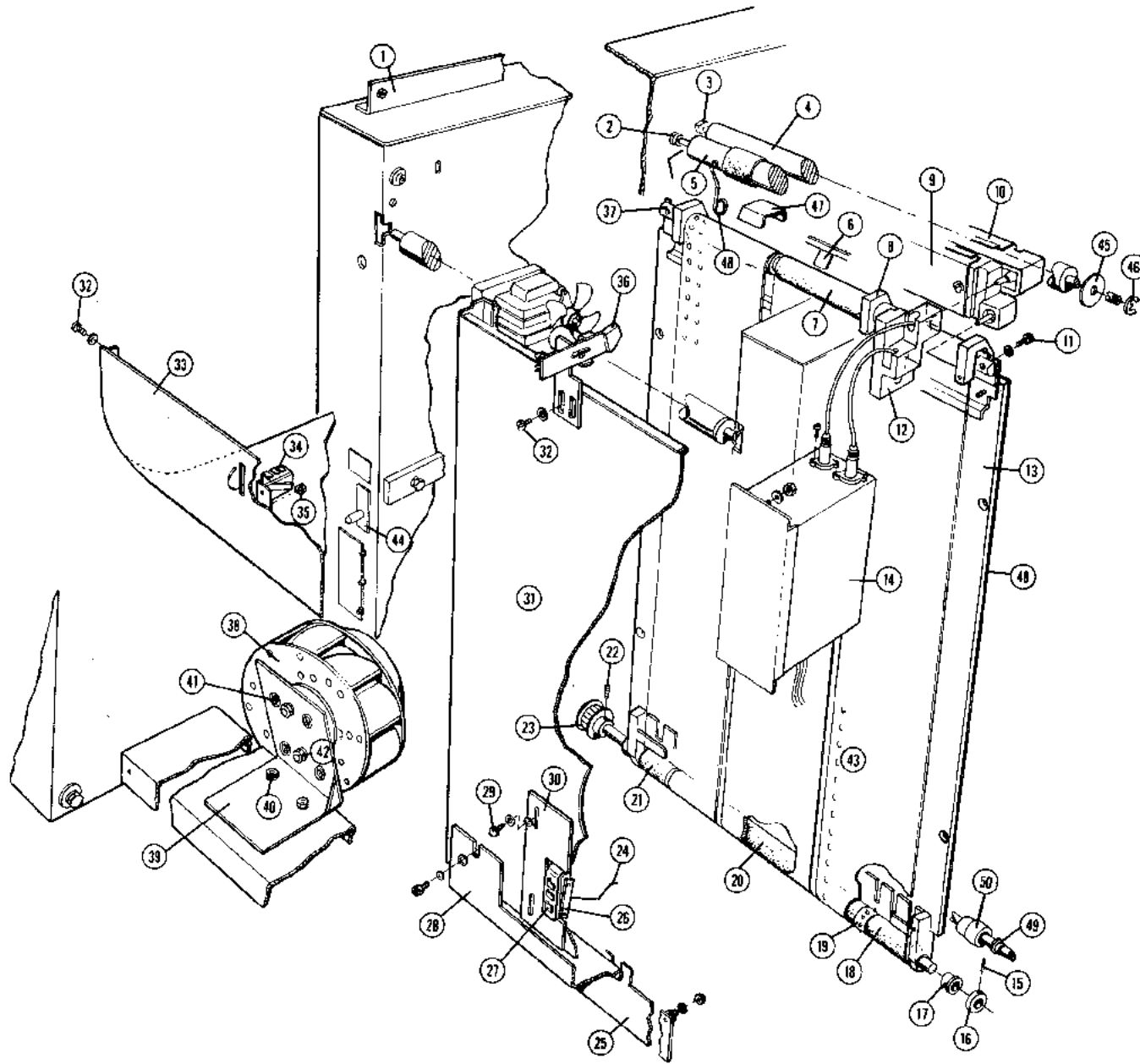
REF.	DESCRIPTION	612 PART NO.	QTY.	615 PART NO.	AFTER S/N	612 USE P/N	615 P/N
1	Machine screw 8-32 x 3/8"	H0472100	6				
2	Bearing	06739200	2	20177901			
3	Bearing	01371601	4				
4	Corona input roller	20083401		20311701			
5	Corona input roller	20082901		20083001			
6	Tab	20145901	2				
7	Idler assy.	20161901	3	Qty of 4			
8	Spacer	20136001	1				
	Spirol pin	H0513700					
	Spacer	19392001		Qty of 4			
	Machine screw 4-40 x 1"	H0683100	3	Qty of 4			
9	Corona-positive	20076701		20157401			
10	Corona-negative	20076401		20157101			
11	Cap screw 10-32 x 1/2"	H0271900	2				
	Flat washer	H0156900	2				
12	Terminal block	19089201					
13	Platen assy.	20075401		20104701			
14	Corona power supply	01349301		20345701			
	50/60 Hz						
17	Bearing	06739200	2				
18	Roller	20199801	2				
19	Sprocket	20180901	3	Qty of 4			
20	Roller	20203201	2	Qty of 3			
	Set Screw	H0513700	3	Qty of 4			
22	Set screw 8-32 x 1/4"	H0113400					
23	Pulley	20096101					
NS	E-Ring	H0933000	2				

Revised 1/86

NOTICE: THIS CONTAINS CONFIDENTIAL, PROPRIETARY AND NON-PUBLIC INFORMATION OF ITR GRAPHIX CORP. DUPLICATION OR REPRODUCTION IN WHOLE OR IN PART OR DISSEMINATION TO UNAUTHORIZED PERSONS WITHOUT THE PRIOR WRITTEN CONSENT OF ITR GRAPHIX CORP. GRAPHIC SYSTEMS DIVISION IS PROHIBITED.

FOCAL PLANE

615 Serial No 1199 and below

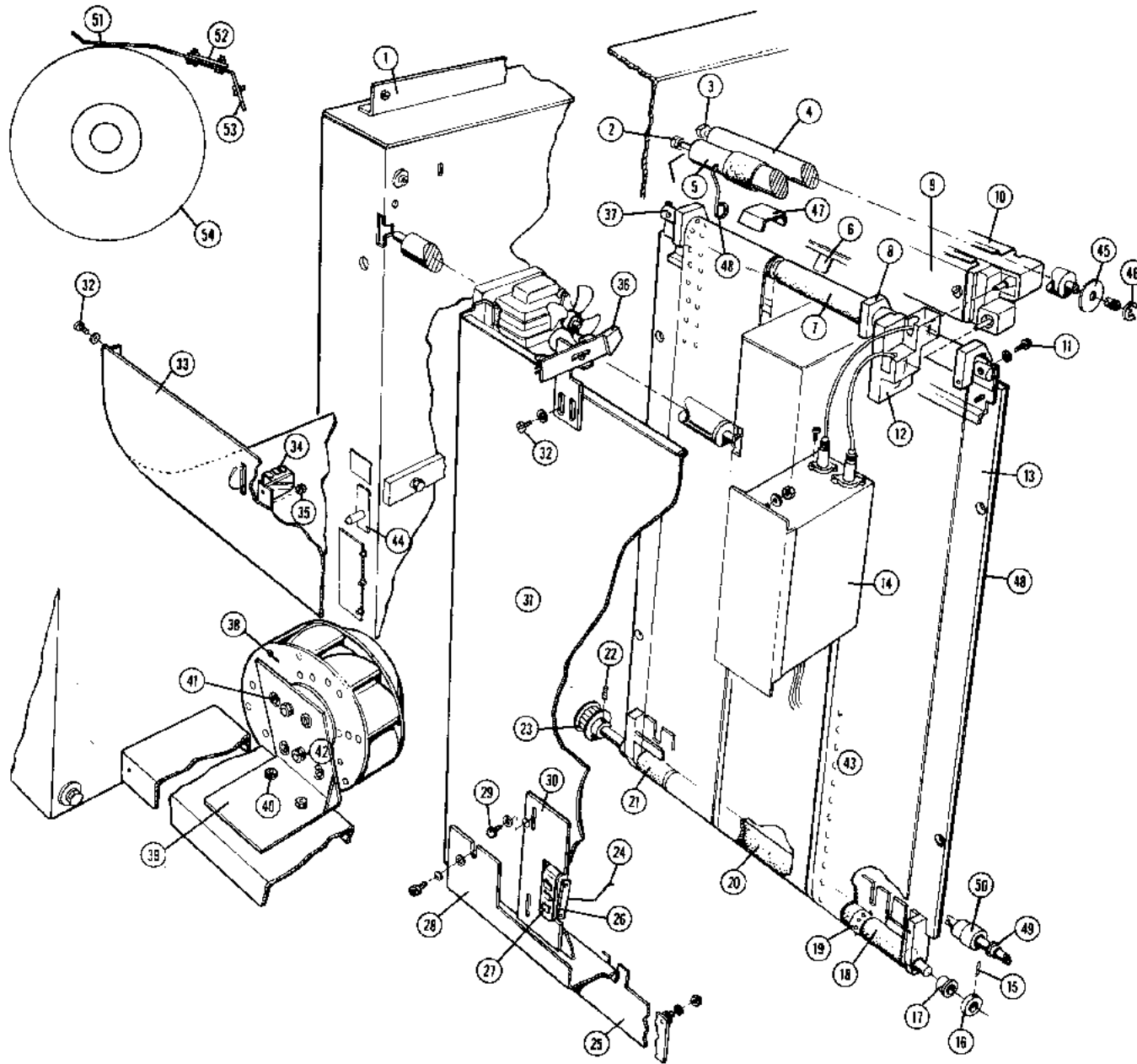


NOTICE: THIS CONTAINS CONFIDENTIAL, PROPRIETARY AND NON-PATENTABLE INFORMATION OF ITEN GRAPHIX CORP. DUPLICATION OR REPRODUCTION IN WHOLE OR IN PART, OR DISCLOSURE HEREOF TO UNAUTHORIZED PERSONS WITHOUT THE PRIOR WRITTEN CONSENT OF ITEN GRAPHIX CORP. GRAPHIX SYSTEMS DIVISION IS PROHIBITED.

FOCAL PLANE

REF.	DESCRIPTION	612 PART NO.	QTY.	615 PART NO.	AFTER S/N	612 USE P/N	615 P/N
24	Actuator	20150001					
	Sleeving			E0189000			
25	Input guide	20098301		20145801			
26	Nut plate	08949300					
27	Switch	19285001					
28	Paper guide bracket assy.	20097101		20108601			
29	Machine screw 10-32 x 3/8"	H0480000	2				
	Flat washer	H0156000	2				
	Lock washer	H0155200	2				
30	End sense switch weldment	20097001					
31	Vacuum back weld. assy.	20109201		20126801			
32	Machine screw 10-32 x 3/8"	H0465400	4				
	Flat washer	H0156000	4				
	Lock washer	H0155200	4				
33	Paper guide assy.	20095101		20156201			
34	Switch	19302201		19726501			
35	Hex nut 6-32	H0144100	2				
	Lock washer	H0155000	2				
	Flat washer	H0156400	2				
36	Reflective sensor PCB assy.	20378501					
37	Belt shaft	20109401		20109101			
38	Centrifugal blower assy.	20093401		Qty of 2			
39	Blower mount	20130301					
40	Cap screw 1/4-20 x 3/8"	H0068500					
	Flat washer	H0156200					
	Lock washer	H0155300					
41	Machine screw 4-40 x 1/4"	H0586000					
	Flat washer	H0156300					
	Lock washer	H0155100					
42	Lock washer	H0155300					
	Flat washer	H0156200					
	Hex nut 1/4 - 10	H0144300					
43	Transport belt	20168101	3	Qty of 4			
44	Knife interlock sw	20128501					
NS	Suppressor assy.	20156901					

FOCAL PLANE

615 Serial No 1199 and below

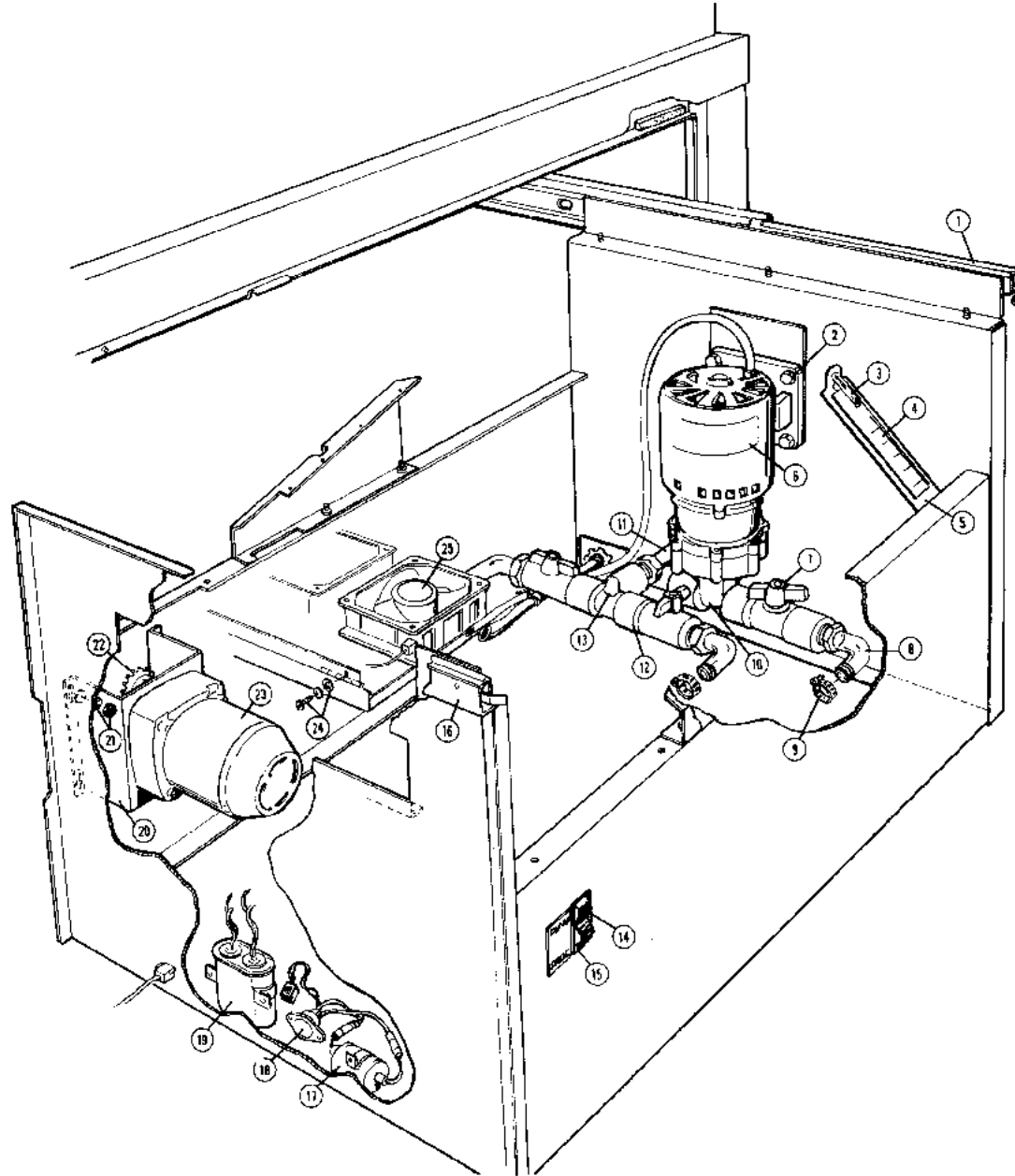
NOTICE: THIS CONTAINS CONFIDENTIAL, PROPRIETARY AND NON-PUBLIC INFORMATION OF TTEK GRAPHIX CORP. REPRODUCTION OR REPRODUCTION IN WHOLE OR IN PART, OR DISCLOSURE HEREOF TO UNAUTHORIZED PERSONS WITHOUT THE PRIOR WRITTEN CONSENT OF TTEK GRAPHIX CORP. GRAPHIX SYSTEMS DIVISION IS PROHIBITED.

FOCAL PLANE

REF.	DESCRIPTION	612 PART NO.	QTY.	615 PART NO.	AFTER S/N	612 USE P/N	615 P/N
45	Washer, plastic		2	40152478			
46	"E" ring	H0933100	2				
47	Corona output guide	20248401		20162901			
48	Platen overlay			20155101			
49	Bearing	01371600	2				
50	Platen roller assy.	20163401		20319801			
	a. Spring	09572400	2				
	b. Bracket r.h.	20162401					
	c. Bracket l.h.	20162501					
	d. "E" ring	H0933100	2				
	e. Grip ring	H0929000	2				
	f. Roller	20157901	2				
	g. Pin	H0507700	2				
51	Brake pad	19069701	2	20124301			
52	Nut plate	19069801	1	20124401			
53	Bracket	20095201	1	20122901			
	Screw, 8-32 x 5/16	H0586000	4				
	Lock washer, #8	H0155100	4				
	Screw, 10-32 x 3/8	H0480000	2				
	Lock washer, #10	H0155200	2				
54	Spool end	19162201	2				
	Spool nut	19162901					
	Spool shaft	20106201	2	20106101			

NOTICE: THIS CONTAINS CONFIDENTIAL, PROPRIETARY AND NON-PUBLIC INFORMATION OF ITK GRAPHIX CORP. DISSEMINATION OR REPRODUCTION IN WHOLE OR IN PART, OR DISCLOSURE HEREOF TO UNAUTHORIZED PERSONS WITHOUT THE PRIOR WRITTEN CONSENT OF ITK GRAPHIX CORP. GRAPHIC SYSTEMS DIVISION IS PROHIBITED.

PROCESSOR/DRYER ASSEMBLY



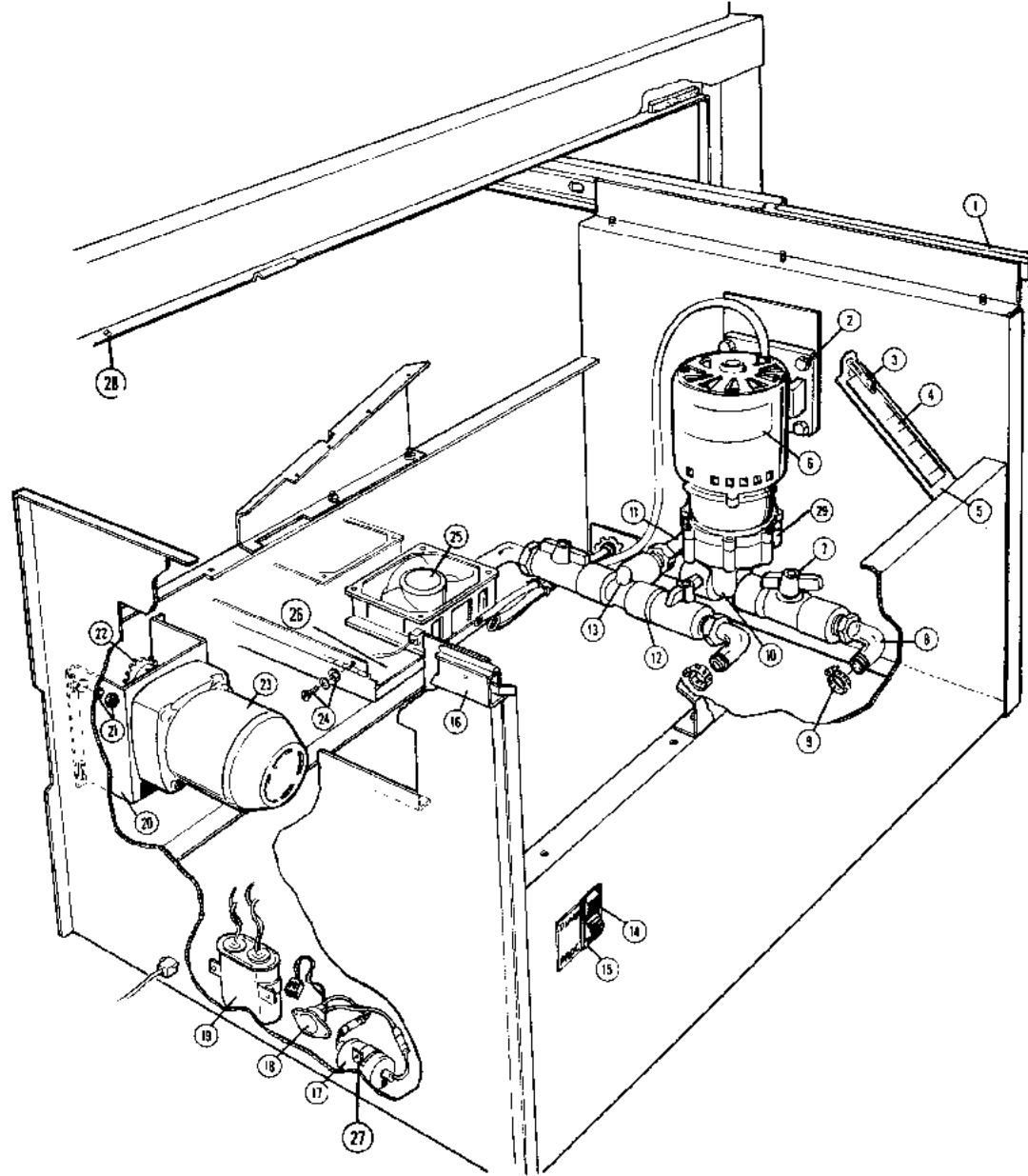
NOTICE: THIS CONTAINS CONFIDENTIAL, PROPRIETARY AND NON-PUBLIC INFORMATION OF ITEX GRAPHIX CORP. DUPLICATION OR REPRODUCTION IN WHOLE OR IN PART, OR DISCLOSURE HEREOF TO UNAUTHORIZED PERSONS WITHOUT THE PRIOR WRITTEN CONSENT OF ITEX GRAPHIX CORP. GRAPHIC SYSTEMS DIVISION IS PROHIBITED.

REF.	DESCRIPTION	612 PART NO.	QTY.	615 PART NO.	AFTER S/N	612 USE P/N	615 P/N
1	Slide (processor side)	20084401		20084601			
2	Hex bolt 1/4-20 x 1/2"	H0477800					
3	Sight glass tube	19276201					
4	Gauge plate	20137001		20164701			
5	Sight tube bracket	19385801					
	Flat washer	H0156300					
	Lock washer	H0155100					
	Hex nut 8-32	H0144200					
6	Pump assembly	20075301		20129601 (includes motor, pump & items 7, 8, 10, 11, 12, 13)			
	Motor & Pump only	19115802		20129801			
	Pump Housing only	19285501		20508901			
7	Ball valve	19008401	3		1557		206174
8	Elbow	08327305	4	Qty of 1	1557		Input manifold
9	Clamp	09193109		08327606			Ass'y
	Clamp			08327605			
	Clamp	09193103					
10	Threaded tee	01321901			1557		
11	Bushing reducer	01389101		Not used	1557		206175
12	Nipple	P0019000	3		1557		Output manifold
13	Reducing tee	20082100		P0021700	1557		Ass'y
14	Switch	09067801					
15	Suppressor assy.	19940301					
16	Slide - dryer side	20084501		20084701			
17	Filter choke assy.	20099701					
18	Triac assy.	20123901					
19	Capacitor	09684600					
	Capacitor bracket	09684700					
20	Motor bracket	20089201					

Ref. LRP Bulletin #032

Revised 8/85

PROCESSOR/DRYER ASSEMBLY



NOTICE: THIS CONTAINS CONFIDENTIAL, PROPRIETARY AND NON-PUBLIC INFORMATION OF ITEX GRAPHIX CORP. DUPLICATION OR REPRODUCTION IN WHOLE OR IN PART OR DISCLOSURE HEREOF TO UNAUTHORIZED PERSONS WITHOUT THE PRIOR WRITTEN CONSENT OF ITEX GRAPHIX CORP. GRAPHIC SYSTEMS DIVISION IS PROHIBITED.

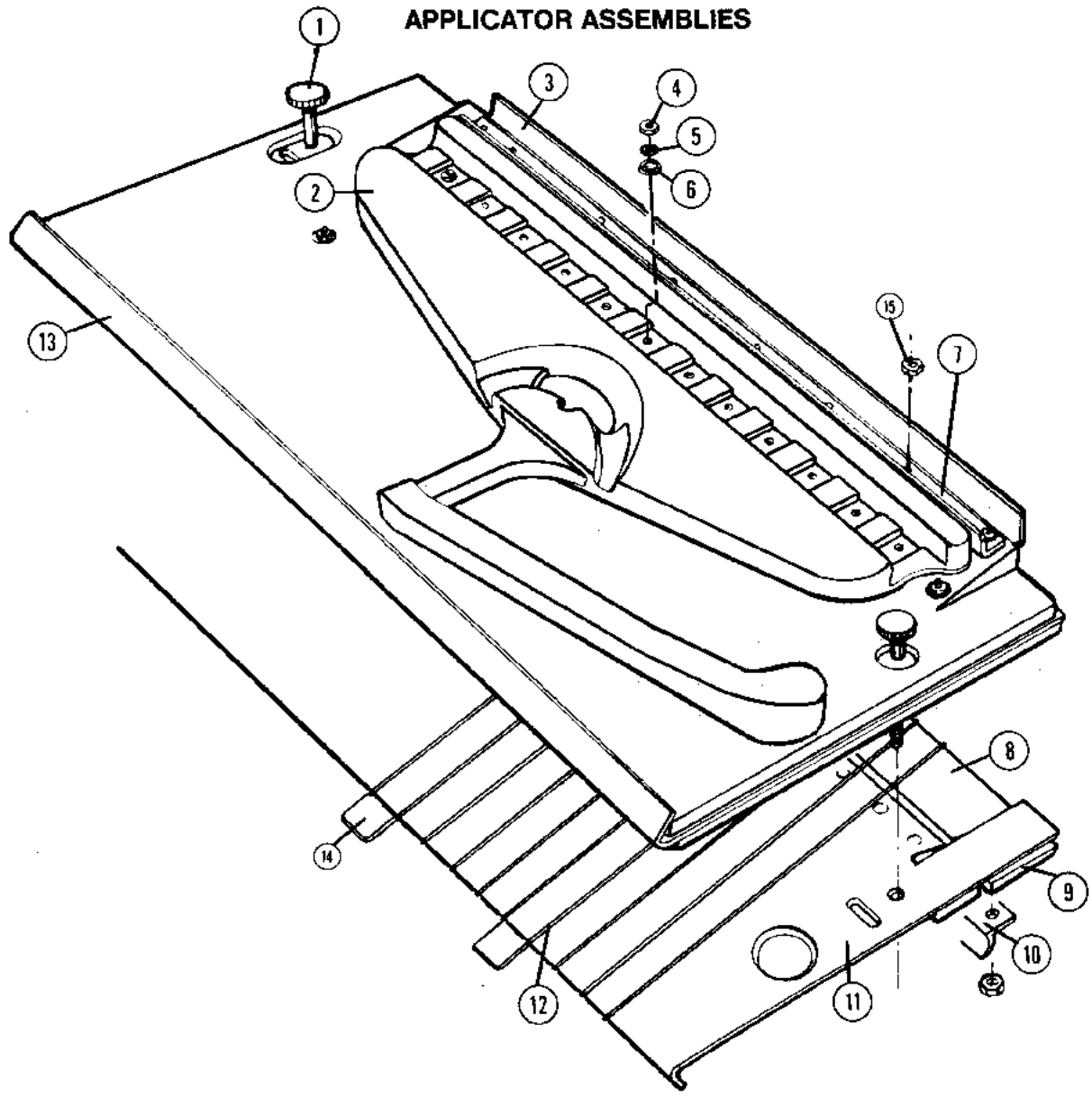
PROCESSOR/DRYER ASSEMBLY

20120501 (615) 20075201 (612)

REF.	DESCRIPTION	612 PART NO.	QTY.	615 PART NO.	AFTER S/N	612 USE P/N	615 P/N
21	Hex nut 10-32	H0144400	4				
	Flat washer	H0156000	4				
	Lock washer	H0155200	4				
22	Sprocket	09744514					
	Pin	H0323900					
23	Processor/dryer motor	20130001		20150601			
24	Machine screw 10-32 x 5/16"	H0144400	3				
	Lock washer	H0155200	3				
	Flat washer	H0156000	3				
25	Fan	E0216500		Qty of 2			
	Hex nut	H0904000					
26	Fan mtg plate	20151901		20151601			
27	Choke assy. mounting strap	40143815					
28	Switch, interlock	19253001	1	20355401			
	Switch bracket	20264301	1	20357001			
29	Pump Housing Only			20508901	A/R		

NOTICE: THIS CONTAINS CONFIDENTIAL, PROPRIETARY AND NON-PUBLIC INFORMATION OF ITK GRAPHIC CORP. DUPLICATION OR REPRODUCTION IN WHOLE OR IN PART, OR DISCLOSURE HEREOF TO UNAUTHORIZED PERSONS WITHOUT THE PERMISSION OR CONSENT OF ITK GRAPHIC CORP. GRAPHIC SYSTEMS DIVISION IS PROHIBITED.

APPLICATOR ASSEMBLIES



NOTICE: THIS CONTAINS CONFIDENTIAL, PROPRIETARY AND NON-PUBLIC INFORMATION OF TEXAS INSTRUMENTS CORPORATION. REPRODUCTION IN WHOLE OR IN PART, OR DISCLOSURE HEREOF TO UNAUTHORIZED PERSONS WITHOUT THE PRIOR WRITTEN CONSENT OF TEXAS INSTRUMENTS CORPORATION IS PROHIBITED.

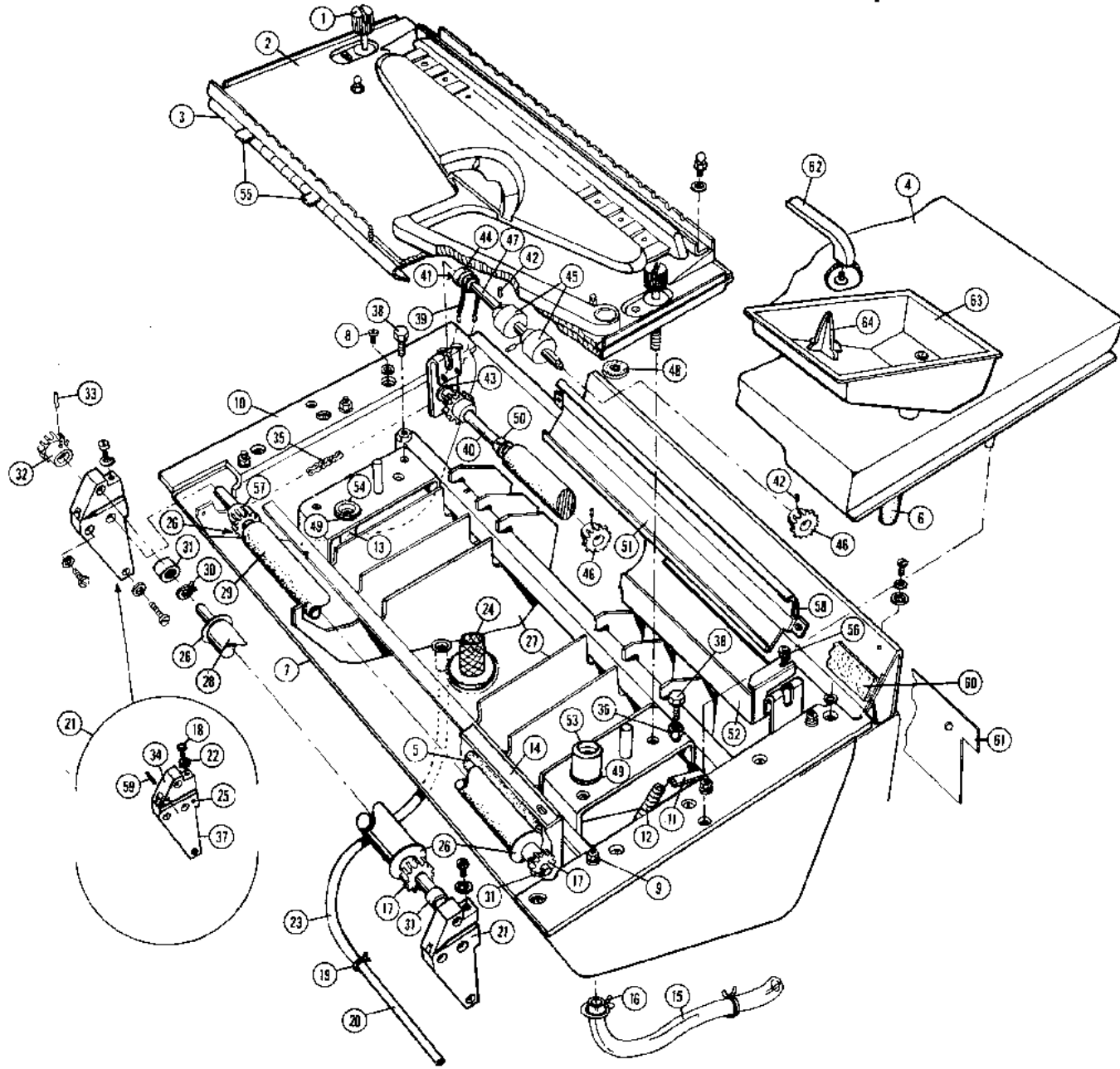
APPLICATOR ASSEMBLIES

UPPER 20072801 (612) LOWER 20072701 (612)
 UPPER 20133801 (615) LOWER 20133901 (615)

REF.	DESCRIPTION	612 PART NO.	QTY.	615 PART NO.	AFTER S/N	612 USE P/N	615 P/N
1	Thumb screw	19309901		20146001			
2	Manifold assy. (upper)	20143301		20132701			
3	Toner deflector (upper)	20144101		20145201			
4	Nut	H0144100	21	Qty of 23			
5	Lock washer	H0156400	21	Qty of 24			
6	Flat washer	H0155000	21	Qty of 24			
7	Clamp (upper)	19326301		20165101			
8	Toner deflector (lower)	19326701		20133101			
9	Manifold assy. (lower)	20143201		20132401			
10	Manifold clamp (lower)	20072501		20132801			
11	Lower applicator frame assy.	20072901		20131901			
12	Monofilament (50 yds)	20138702					
13	Upper applicator frame assy.	20052101		20131801			
14	Tab (lower applicator)		4	20147001			
15	Nut	H0144500	22	Qty of 28			
	Washer	H0155700	22	Qty of 28			
NS	Washer	H0156500	6				
NS	Sealing washer			20232701			

NOTICE: THIS CONTAINS CONFIDENTIAL, PROPRIETARY AND NON-PUBLIC INFORMATION OF ITEX GRAPHIX CORP. DUPLICATION OR REPRODUCTION IN WHOLE OR IN PART, OR DISCLOSURE HEREOF TO UNAUTHORIZED PERSONS WITHOUT THE PRIOR WRITTEN CONSENT OF ITEX GRAPHIX CORP. GRAPHIC SYSTEMS DIVISION IS PROHIBITED.

34 A
615E PROCESSOR ASSEMBLY (S/N 1328 and above)



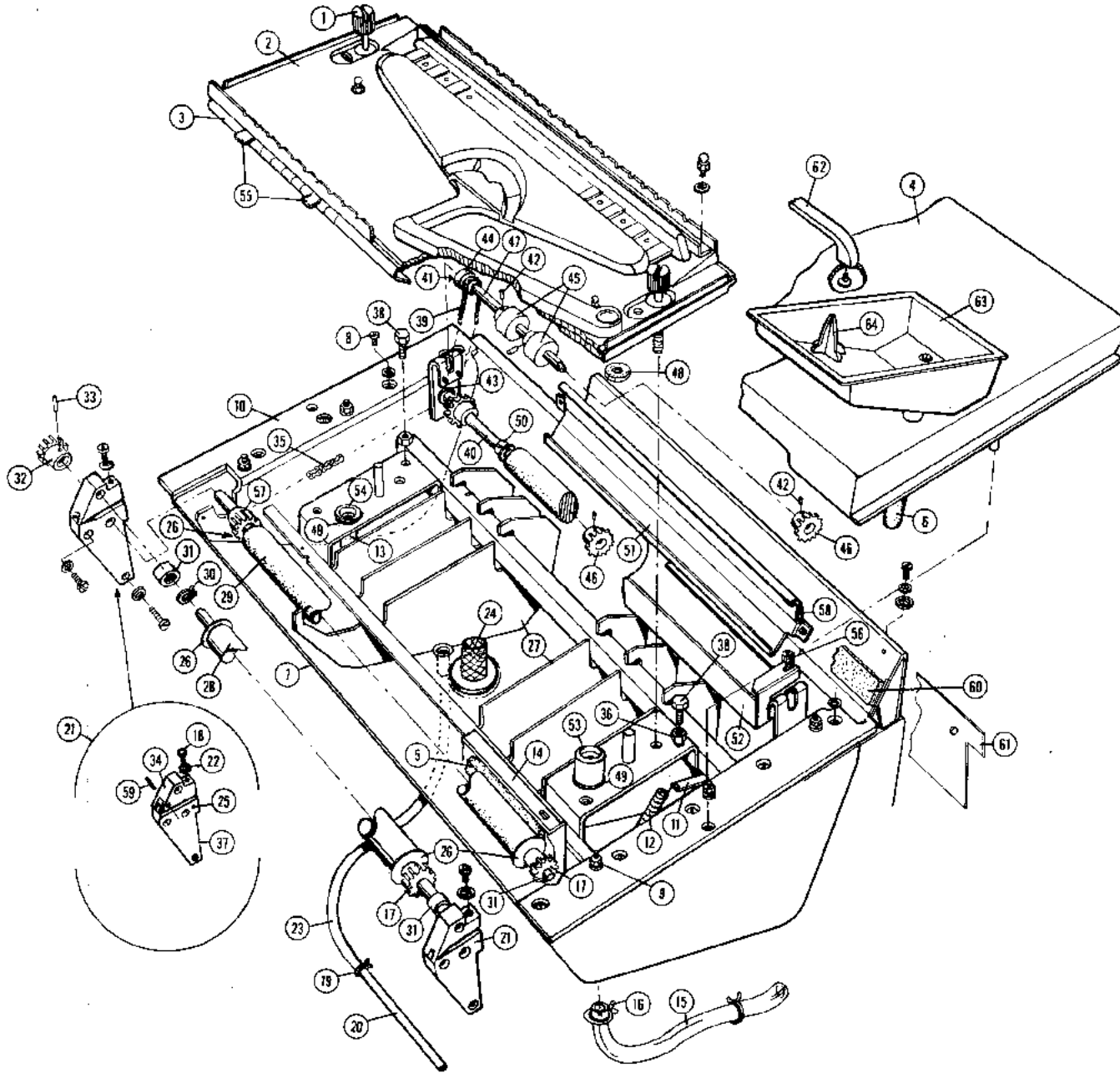
NOTICE: THIS CONTAINS CONFIDENTIAL, PROPRIETARY AND NON-PUBLIC INFORMATION OF Itek GRAPHIX CORP. DUPLICATION OR REPRODUCTION IN WHOLE OR IN PART OR DISCLOSURE HEREOF TO UNAUTHORIZED PERSONS WITHOUT THE PRIOR WRITTEN CONSENT OF Itek GRAPHIX CORP. GRAPHIC SYSTEMS DIVISION IS PROHIBITED.

615E PROCESSOR ASSEMBLY (S/N 1328 and above)

REF.	DESCRIPTION	PART NO.	QTY.	AFTER S/N	USE P/N
1	Thumb Screw	20146001	2		
2	Upper Applicator	20133801	1		
3	Lower Applicator	20133901	1		
4	Processor Cover	20153901	1		
5	Wiper Pad	40151330			
6	Hose, 3/4" I.D.	40161477	1		
7	Processor Tank	20294101	1		
8	Screw, 8-32 x 3/8"	H0472100	9		
	Lock Washer, #8	H0155100	9		
9	Nut, 10-32	H0904200	6		
	Flat Washer #10	H0156000	6		
10	Processor Frame Weldmt.	20343601	1		
11	Clip, Bracket	19174301	2		
12	Spring	09260800	2		
13	Hose, 5/8" I.D.	40161476	2		
14	Bracket	20349001	1		
15	Hose, 1" I.D.	20220601	1		
	Hose, 3/8" I.D.	40161489	2		
16	Clamp, for 1" hose	40143918	2		
	Clamp, for 3/8" hose	40143912	4		
17	Gear, Plastic	20267101	2		
18	Screw, 10-32 x 1-3/8"	H0322000	2		
	Knob, Plastic	20050203	2		
	Flat Washer, #10	H0156900	2		
	Rubber Tire (retainer)	H0900200	2		
19	Clamp	40143904	2		
20	Sight Glass	19276201	1		
21	Bearing Block Complete	20358701	2		
	Screw, 8-32 x 1"	H0066600			
	Lock Washer, #8	H0155100	4		
	Flat Washer, #8	H0156300	4		

Revised 8/87

615E PROCESSOR ASSEMBLY (S/N 1328 and above)



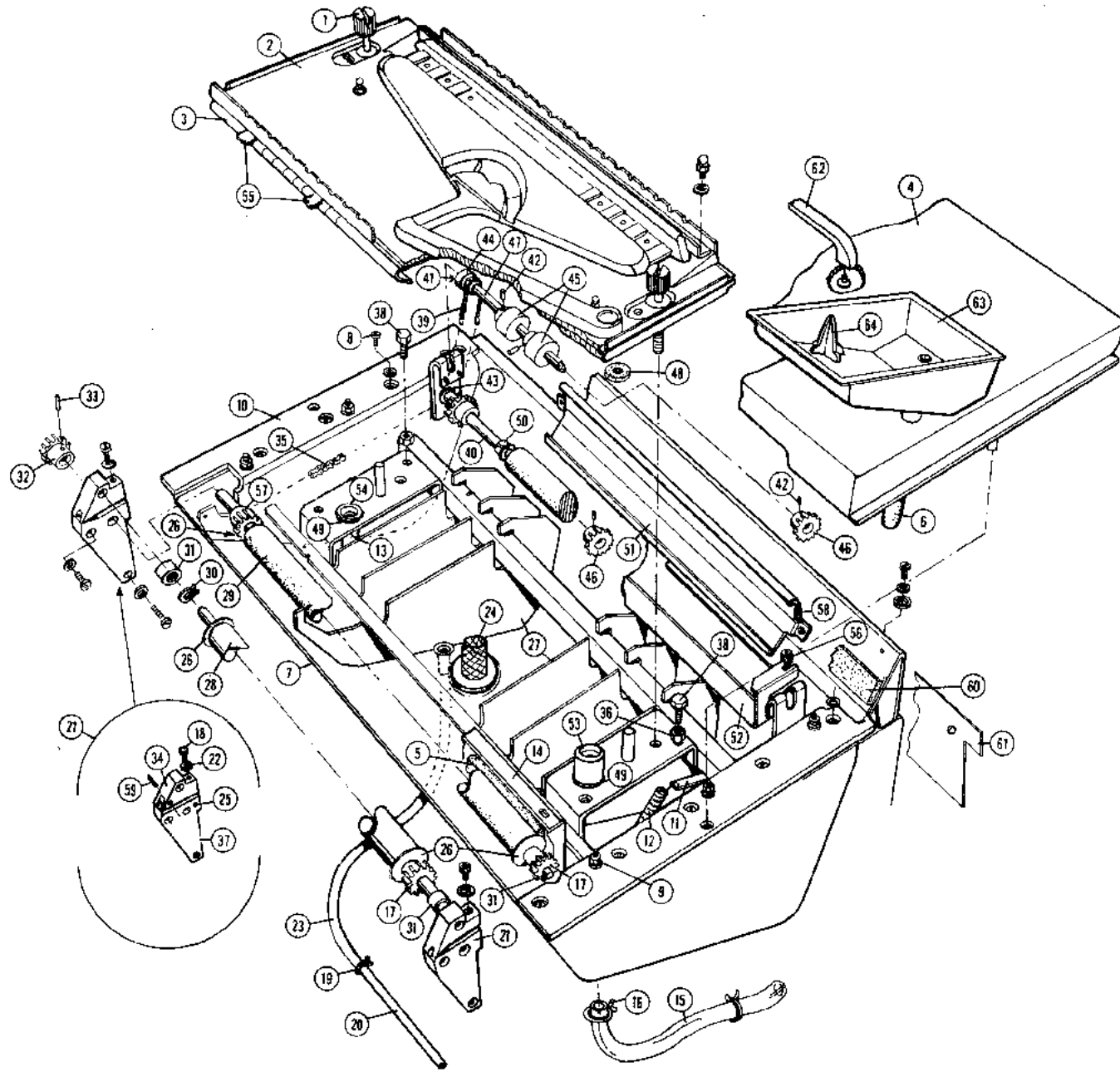
NOTICE: THIS CONTAINS CONFIDENTIAL, PROPRIETARY AND NON-PUBLIC INFORMATION OF ITT GRAPHIC CORP. DUPLICATION OR REPRODUCTION IN WHOLE OR IN PART OR DISCLOSURE HEREOF TO UNAUTHORIZED PERSONS WITHOUT THE PRIOR WRITTEN CONSENT OF ITT GRAPHIC CORP. GRAPHIC SYSTEMS DIVISION IS PROHIBITED.

815E PROCESSOR ASSEMBLY (S/N 1328 and above)

REF.	DESCRIPTION	PART NO.	QTY.	AFTER S/N	USE P/N
22	Nut	H0125300	2		
23	Hose, 5/16" I.D.	40161470	1		
24	Screen	20288101	1		
25	Threaded Sleeve	20324301	2		
	Pin, 3/32 x 5/8	H0514900	1		
26	Washer (next to roller)	40152480	4		
27	Baffle	20165401	6		
28	Upper Squeegee Roller	20358501			
29	Lower Squeegee Roller	20358901	1		
30	Pressure Retaining Ring	H0928700	1		
31	Spacer	08516500	3		
32	Sprocket, 15T	20359501	1		
33	Pin, 3/32 x 5/8"	H0513400	1		
34	Upper Bearing Block	20358801	2		
35	Chain	40144689	1		
36	Nut, 1/4-20	H0144300	2		
37	Lower Bearing Block	20358601	2		
38	Screw, 1/4-20 x 1 1/2	H0683000	4		
39	Spring	09572400	2		
40	Lower Rubber Roller Assy.	20144501	1		
41	Retainer, pressure	H0156200	2		
42	Pin, 3/32 x 3/4	H0513400	7		
43	Nyliner	06754704	4		
44	Bearing	01371601	2		
45	Roller, segment	20119701	7		
46	Gear	08942900	2		
	Pin, 3/32 x 3/4	H0507700	2		
47	Processor Roller Complete	20342901	1		
	Shaft only, part of above	20342801	1		

NOTICE: THIS CONTAINS CONFIDENTIAL, PROPRIETARY AND NON-PUBLIC INFORMATION OF TEXAS INSTRUMENTS CORPORATION. REPRODUCTION OR DISTRIBUTION IN ANY FORM OR BY ANY MEANS WITHOUT THE WRITTEN PERMISSION OF TEXAS INSTRUMENTS CORPORATION IS PROHIBITED.

615E PROCESSOR ASSEMBLY (S/N 1328 and above)



615E PROCESSOR ASSEMBLY (S/N 1328 and above)

REF.	DESCRIPTION	PART NO.	QTY.	AFTER S/N	USE P/N
48	Sealing Washer	20232701	2		
49	Retaining Ring	H0932200	2		
50	Nyliner	06754704	2		
51	Input Guide Complete, Upper	20346801	1		
52	Splash Guard	20149901	1		
53	Hose Adaptor	20342701	1		
54	Hose Adaptor	20342601	1		
55	Tab	20147001	4		
56	Screw, 8-32 x 3/8	H0582700	2		
	Washer, #8	H0156300	2		
	Washer, #8	H0155100	2		
57	Sprocket, 12T	01328201	1		
	Pin, 3/32 x 3/8	H0507700	1		
58	Mylar Gate	20340001	1		
	Double Sided Tape	40151331	A/R		
	Single Sided Tape	40151357	A/R		
59	Pin, 1/8 x 5/8	H0004500	2		
60	Foam Tape	PL843300	26 1/2"		
61	Mylar Baffle	20272901	1		
	Double Tape	40151338	53"		
62	Handle	19531401	1		
	Screw, 10-24 x 3/8	H0469400	2		
	Lock Washer, #10	H0155200			
63	Funnel	20163201	1		
	Screw, 6/32 x 5/16	H0470200	4		
	Sealing Washer	09768300	4		
64	Bottle Opener	20191301	1		

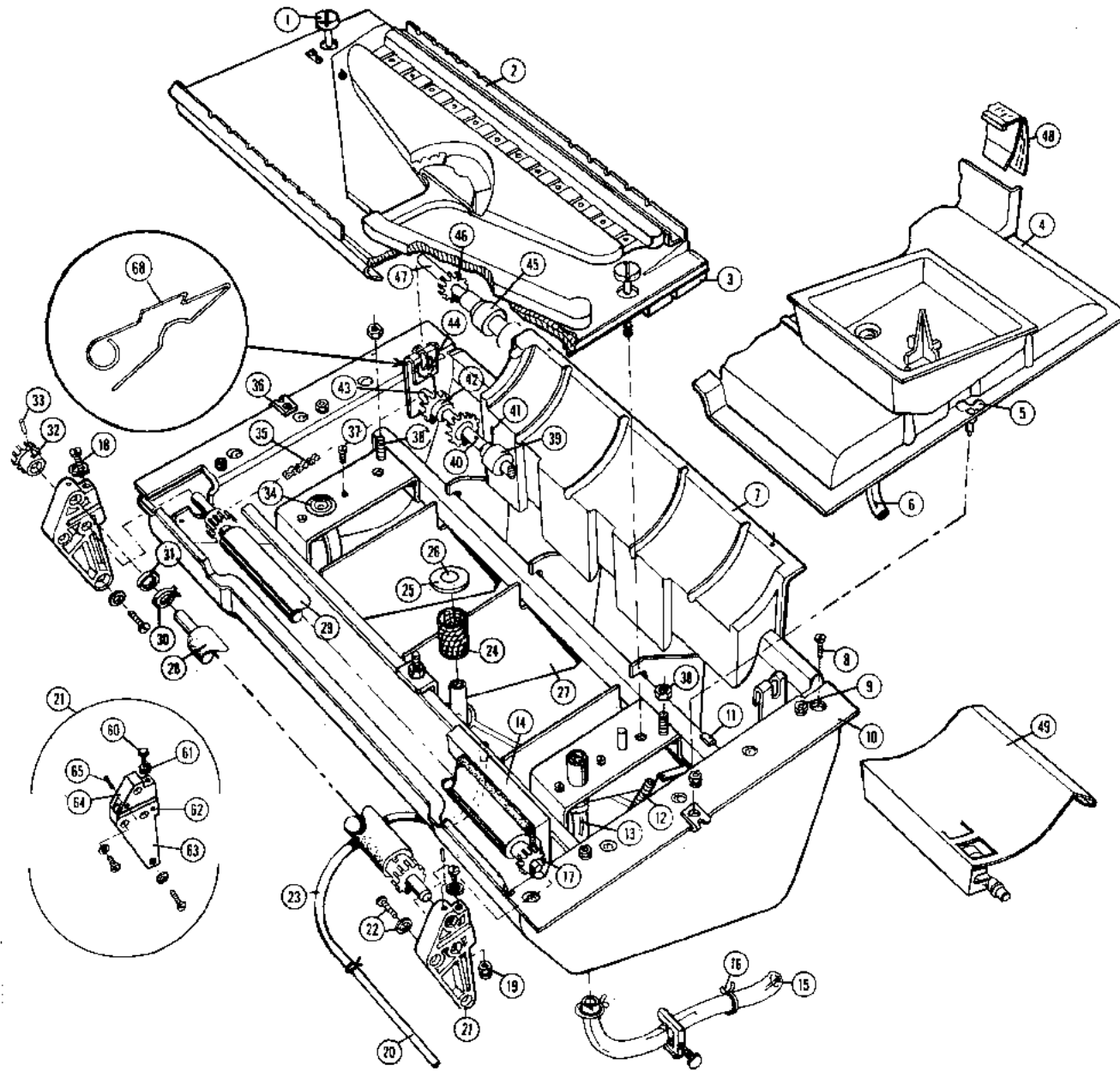
Revised 8/87

34F

NOTICE: THIS CONTAINS CONFIDENTIAL, PROPRIETARY AND NON-PUBLIC INFORMATION OF ITK GRAPHIX CORP. DISCLOSURE OR REPRODUCTION IN WHOLE OR IN PART OR USE AS A BASIS FOR REPRODUCTION OR UNAUTHORIZED PERSONS WITHOUT THE WRITTEN CONSENT OF ITK GRAPHIX CORP. GRAPHIC SYSTEMS DIVISION IS PROHIBITED.

34 G
PROCESSOR ASSEMBLY

615 Serial No 1327 and below



NOTICE: THIS CONTAINS CONFIDENTIAL, PROPRIETARY AND NON-PUBLIC INFORMATION OF ITEX GRAPHIX CORP. DUPLICATION OR REPRODUCTION IN WHOLE OR IN PART OR DISCLOSURE HEREOF TO UNAUTHORIZED PERSONS WITHOUT THE PROCAWRITTEN CONSENT OF ITEX GRAPHIX CORP. GRAPHIX SYSTEMS DIVISION IS PROHIBITED.

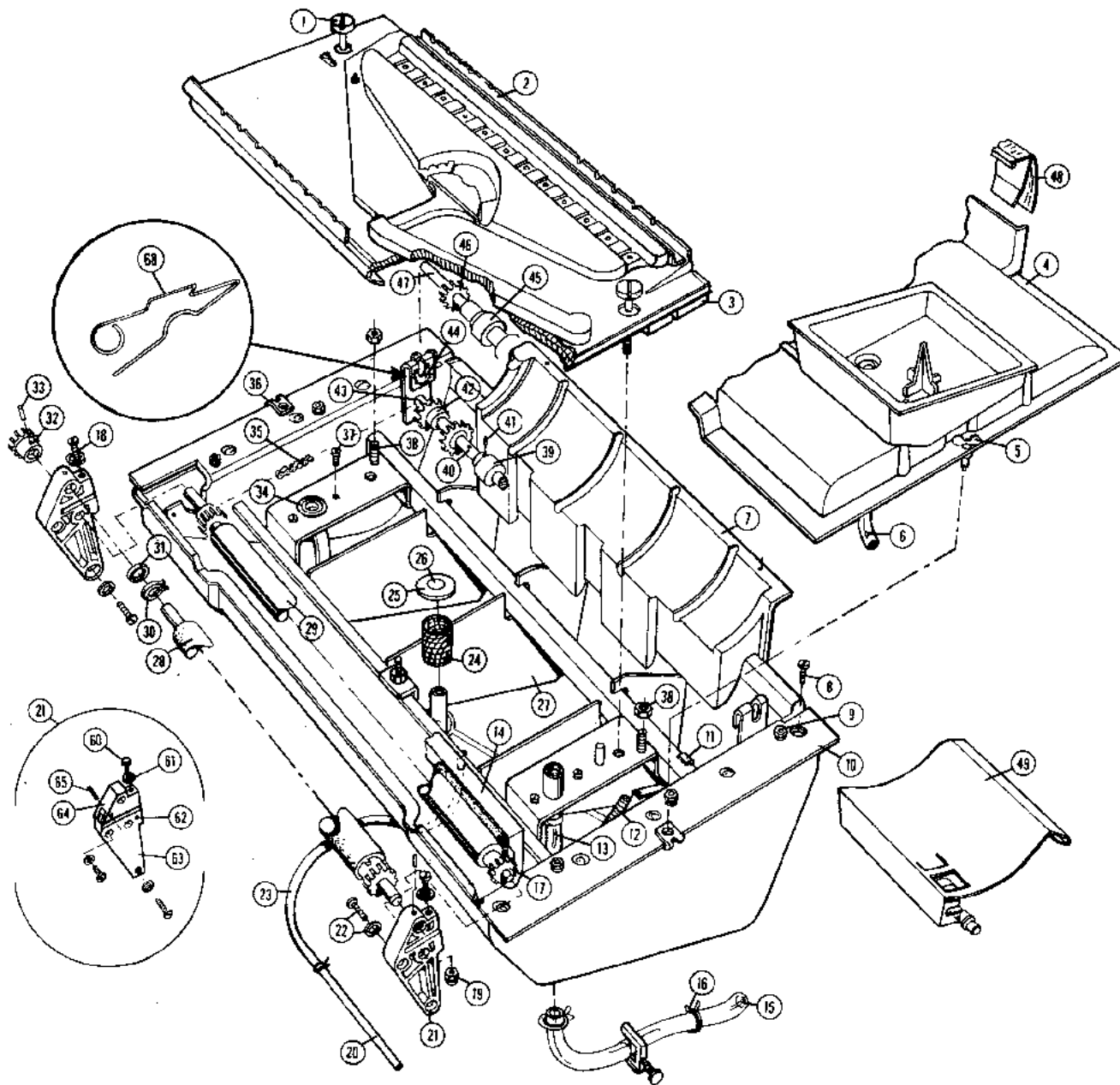
PROCESSOR ASSEMBLY

20136201 (615) 20073001 (612)

REF.	DESCRIPTION	612 PART NO.	QTY.	615 PART NO.	AFTER S/N	612 USE P/N	615 P/N
1	Thumb screw	19309901	2	20146001			
2	Upper applicator assy.	20072801		20133801			
3	Lower applicator assy.	20072701		20133901			
4	Processor cover assy.	01324801		20153901			
5	Stud	09646406		Not used			
6	Hose	01322401		40161477			
7	Processor tank assy.	01324501		20131701			
8	Lock washer	H0155100	9				
	Machine screw 8-32 x 3/8"	H0472100	9				
9	Hex nut 10-32	H0144400	6	H0904200			
	Lock washer	H0155200	6				
	Flat washer	H0156000	6				
10	Processor frame weld. assy.	20077901		20131401			
11	Clip	19174301					
12	Spring	06763600	2	09260800			
13	Tubing	19058302		40161476			
	a. Tubing			40161475			
14	Bracket, scrubber assy.	20116901		20137801	Pivoting type	20352401	20349001
	Wiper pad	40151330					
15	Hose	40161469	2	Qty of 3			
16	Clamp	40143912	6	40143918 (2)			
				40143912 (4)			
17	Gear	20359001		See Chart Page 37			
18	Machine screw 10-32 x 1 3/8"	H0321200					
	Flat washer	H0156000					
19	Self lock nut 10-32	H0134400					
20	Sight glass tube	19276201					
21	Bearing assy.	09073501	2	See Chart Page 37			
22	Machine screw 10-32 x 9/16"	H0472900	4	See Chart Page 37			
	Lock washer	H0155100	4				
	Flat washer	H0156300	4				
23	Tubing	40161470					

NOTICE: THIS CONTAINS CONFIDENTIAL, PROPRIETARY AND NON-PUBLIC INFORMATION OF ITK GRAPHIX CORP. DUPLICATION OR REPRODUCTION (INCLUDING ORIGIN, PART, OR DISCLOSURE) IS PROHIBITED. TO UNAUTHORIZED PERSONS WITHOUT THE PERMISSION OF ITK GRAPHIX CORP. OR GRAPHIC SYSTEMS DIVISION IS PROHIBITED.

PROCESSOR ASSEMBLY

615 Serial No 1327 and below

NOTE: THIS CONTAINS CONFIDENTIAL, PROPRIETARY AND NON-PUBLIC INFORMATION OF TEK GRAPHIC CORP. REPRODUCTION IN WHOLE OR IN PART OR DISSEMINATION TO UNAUTHORIZED PERSONS WITHOUT THE PRIOR WRITTEN CONSENT OF TEK GRAPHIC CORP. GRAPHIC SYSTEMS DIVISION IS PROHIBITED.

PROCESSOR ASSEMBLY

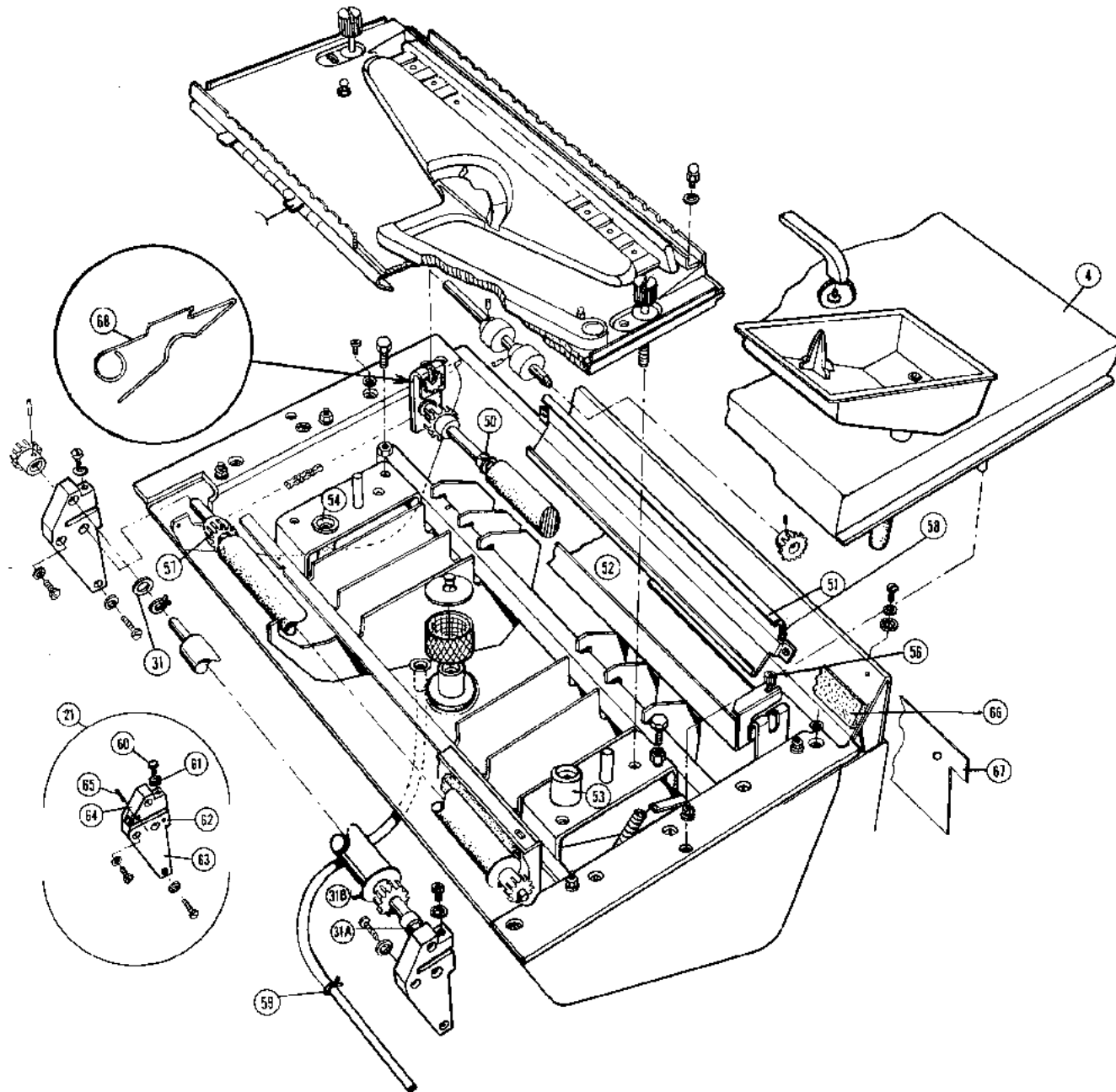
20136201 (615) 20073001 (612)

REF.	DESCRIPTION	612 PART NO.	QTY.	615 PART NO.	AFTER S/N	612 USE P/N	615 P/N
24	Screen	09050201		19329401			
25	Cap	09049901		19329501			
26	Plug	09050001					
27	Baffle	20114701	3	20165401 (6)			
28	Top squeegee roller	20083501		See Chart Below			
29	Lower squeegee roller	20083901		See Chart Below			
30	Retaining ring	H0929000	2				
31	Inner Washer .326 I.D. (upper squeegee roller chain side)			See Chart Below			
NS	Outer Washer .316 I.D. (upper squeegee next to bearing block chain side)			See Chart Below			
31A	Outer Washer (upper & lower squeegee next to bearing block)	06729900	4	See Chart Below			
31B	Inner Washer (between roller ends and gear)	19176401	2	See Chart Below			
32	Sprocket	01328501		See Chart Below			
33	Spirol pin	H0507700		See Chart			
34	Seal	19150301		Not used			
35	Chain	09702013					
36	Receptacle	09646409		Not used			
37	Machine screw 8-32 x 3/8"	H0472100					
	Lock washer	H0155100					
38	Set screw 1/4 - 20 x 1"	H0059500	4	H0068800			
	Hex nut 1/4 - 20	H0144300	4	H0145400			
39	Roller	19847601		Not used			
40	Lower roller assy.	20053201		20144501			
41	Spirol pin	H0507700		Not used			
42	Sprocket	01328001					
43	Nyliner	06754704	2				
44	Grommet	01335301	2				
45	Roller	20119701	5	Qty of 7			
	Spirol pin	H0513400	5	Qty of 7			
46	Gear	09238800	2	08942900			
47	Processor input roller assy.	20144901		20144701			

Item No.	Part Description	Part Number Original Roller Configuration (6/16)	Part Number Stepped Down At Bearing (5/16)	Part Number 1/2" Shaft (New)
17	Gears, 30T	20146701	20267101	20267101
21	Squeegee Bearing Assembly	20165901	20165901	20356701 (pivot)
22	Bearing Mounting Screws	20336101 (pivot)	20336101 (pivot)	H006600
28	Upper Squeegee Roller	H006600	H006600	H006600
29	Lower Squeegee Roller	N/A - Ref. Bulletin #001	20266901	20358301
31	Squeegee Washer (1) (between upper roller end and bearing)	N/A - Ref. Bulletin #31	20267001	20308901
31A	Squeegee Washer (1) (between upper roller end and bearing)	06729900	06729900	40152473
31A	Squeegee Spacer (3) (between gears or sprocket and bearings)	40150174	40150174	08516500
31B	Squeegee Washer (4) (next to rubber surface)	40152477	40152480	40152480
32	Sprocket, Outer, 15T	20151001	20151001	20309901
33	Sprocket and Gear Pin (3/32 x 5/8) (3)	H0507700	H0507700	H0507700
57	Sprocket, Inner, 12T	01328001	01328201	01328201
63	Pivot Bearing, lower block	20336001	20336001	20358601
64	Pivot Bearing, upper block	20335901	20335901	20358601

NOTICE: THIS CONTAINS CONFIDENTIAL, PROPRIETARY AND NON-PUBLIC INFORMATION OF ITEX GRAPHIX CORP. DISCLOSURE HEREOF TO UNAUTHORIZED PERSONS WITHOUT THE PRIOR WRITTEN CONSENT OF ITEX GRAPHIX CORP. GRAPHIC SYSTEMS DIVISION IS PROHIBITED.

PROCESSOR ASSEMBLY

615 Serial No 1327 and below

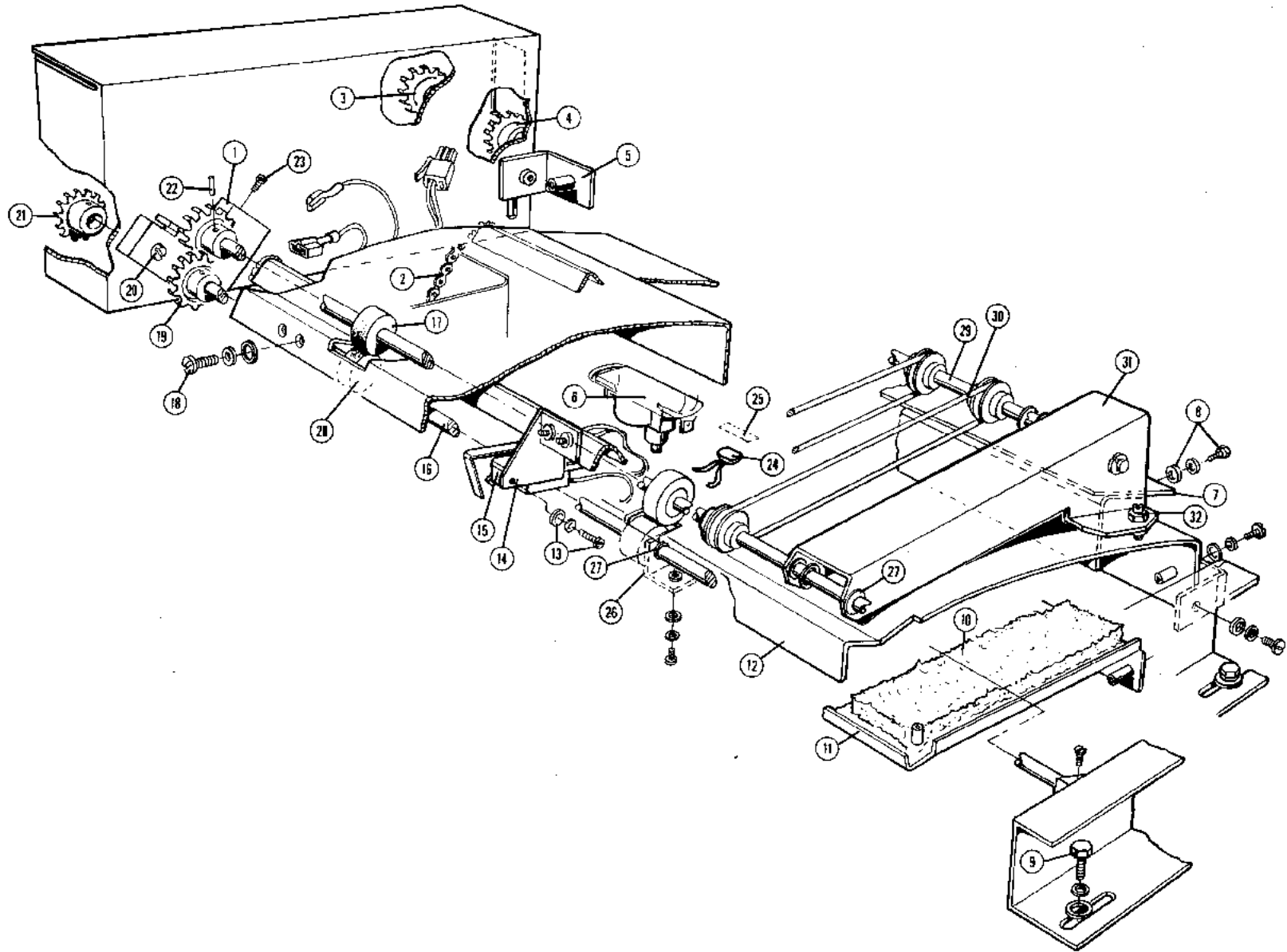
PROCESSOR ASSEMBLY

20136201 (615) 20073001 (612)

REF.	DESCRIPTION	612 PART NO.	QTY.	615 PART NO.	AFTER S/N	612 USE P/N	615 P/N
48	Input baffle	20141001					
	Mylar Gate	20341101					
	Tape, doublesided	40151331	13½"				
49	Input guide	20208001		20149401			
	Plastic Liner	20211401					
	Tape	40151322					
50	Nyliner	06754704					
51	Input guide (upper)			20232301			20346801
52	Splash guard			20149901			
53	Hose adaptor			20147201			
	Sealing Washer			20232701			
54	Hose adaptor			20147101			
	Sealing Washer			20232701			
55	Tab		4	20147001			
56	Screw		2	H0582700			
	Washer		2	H0156300			
	Washer		2	H0155100			
57	Sprocket		1	See Chart			
		01328201	1	Page 37			
58	Mylar Gate		1	20154801		20341101	
59	Clamp	40143904	2	40143904			
60	Screw	20350701	2	H0276200			
	Knob	20050203	2	20050203			
	Washer	H0156900	2	H0156900			
	Retainer	H0900200	2	H0900200			
61	Nut	H0125300	4	H0125300			
62	Sleeve	20324301	2	20324301			
	Pin	H0514900	2	H0514900			
63	Lower bearing block	20324001	2	See Chart			
64	Upper bearing block	20324201	2	Page 37			
65	Pin	H0004500	2	H0004500			
66	Foam tape		26½"	PL843300			
67	Mylar baffle			20273001			
	Tape, doublesided			40151331			
68	Keeper, Input Roller			20569401			

NOTICE: THIS CONTAINS CONFIDENTIAL, PROPRIETARY AND NON-PUBLIC INFORMATION OF ITT CANADIAN CORP. REPLICATION OR REPRODUCTION IN WHOLE OR IN PART, OR DISCLOSURE HEREOF TO UNAUTHORIZED PERSONS IS PROHIBITED. THE PROMOTION OF ITT CANADIAN CORP. SYSTEMS DIVISION IS PROHIBITED.

DRYER ASSEMBLY



DRYER ASSEMBLY

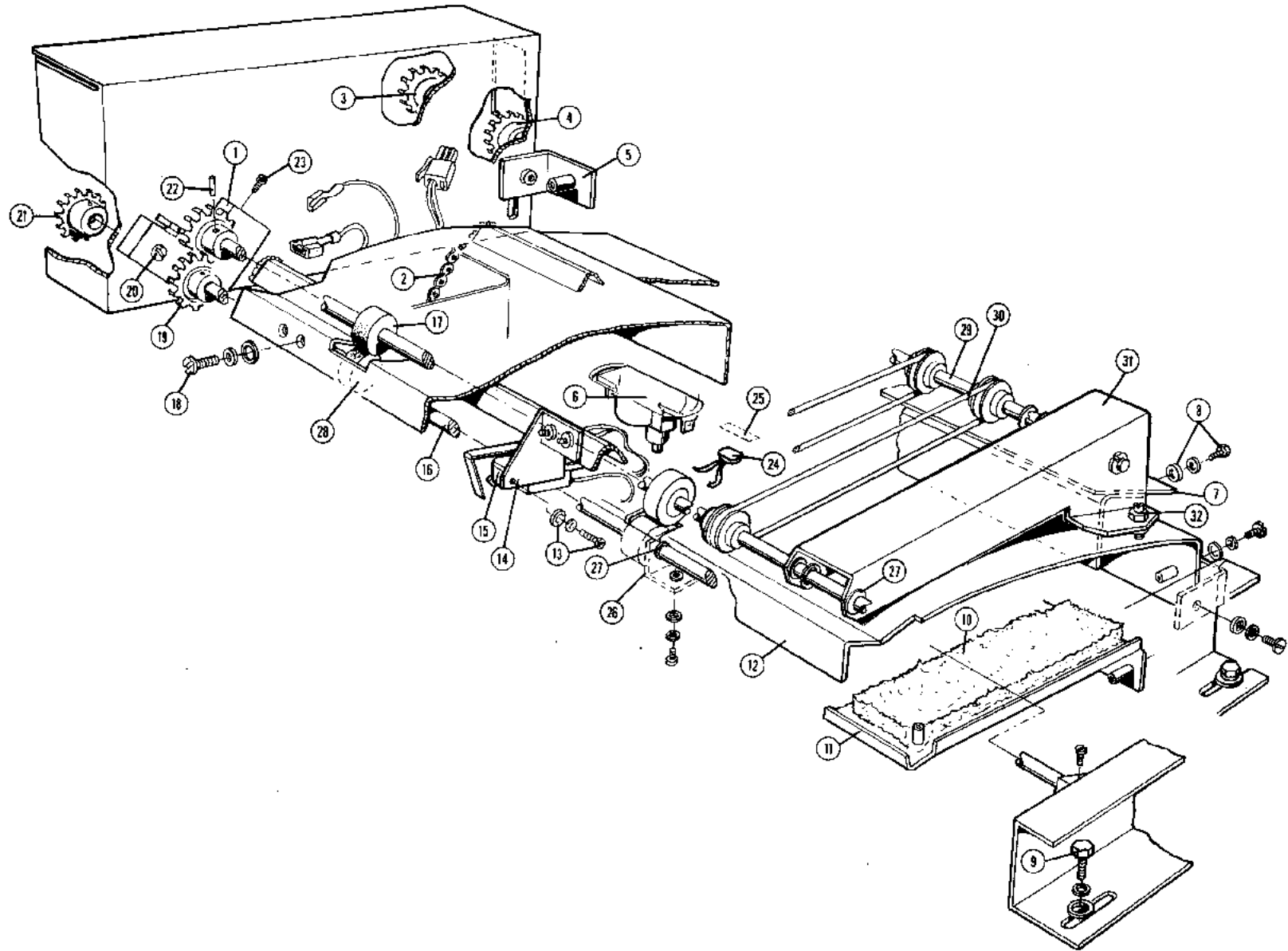
20118101 (615) 20106501 (612)

(DOES NOT INCLUDE ITEM #2)

REF.	DESCRIPTION	612 PART NO.	QTY.	615 PART NO.	AFTER S/N	612 USE P/N	615 P/N
1	Roller bearing	19303801					
2	Chain	09702014		40144689	12/87		40144670
3	Sprocket assy.	01331001	2		12/87		20517801
	Idler Stud				12/87		20517601
4	Sprocket assy.	01331001					
	Nylon washer	H0188700	2				
	Retaining ring	H0932800	2				
	Idler repair kit	20263101	A/R				
5	Bracket assy. (rear)	20092301					
NS	Bracket assy. (front)	20091501					
	Machine screw 8-32 x 3/8"	H0472100					
	Flat washer	H0156300					
	Lock washer	H0155100					
6	Temp. limit	20123501					
7	Guide assy.	20130501					
8	Machine screw 8-32 x 1/2"	H0480700	2				
	Flat washer	H0156000	8				
	Lock washer	H0155100	9				
9	Machine screw 10-32 x 3/8"	H0480000	8				
	Flat washer	H0156200	8				
	Lock washer	H0155200	8				
10	Insulation	20125601		20135701			
11	Insulation box	20130801		20135601			
12	Dryer plate assy.	20091901		20093701			
13	Machine screw 4-40 x 5/8"	H0585500	2				
	Flat washer	H0156500	2				
	Lock washer	H0155700	2				
14	Switch bracket assy.	20091402					
15	Switch	20119001					
NS	Nut plate	08949300					
16	Lower roller assy.	19887701		20159001	12/87		20497501
	Shaft Only				12/87		20497201
17	Roller assy. (upper)	20115101		20164001			

NOTICE: THIS CONTAINS CONFIDENTIAL, PROPRIETARY AND NON-PUBLIC INFORMATION OF ITDA GRAPHIC CORP. REPRODUCTION IN WHOLE OR IN PART OR DISCLOSURE HEREOF TO UNAUTHORIZED PERSONS WITHOUT THE PRIOR WRITTEN CONSENT OF ITDA GRAPHIC CORP. GRAPHIC SYSTEMS DIVISION IS PROHIBITED.

DRYER ASSEMBLY



DRYER ASSEMBLY

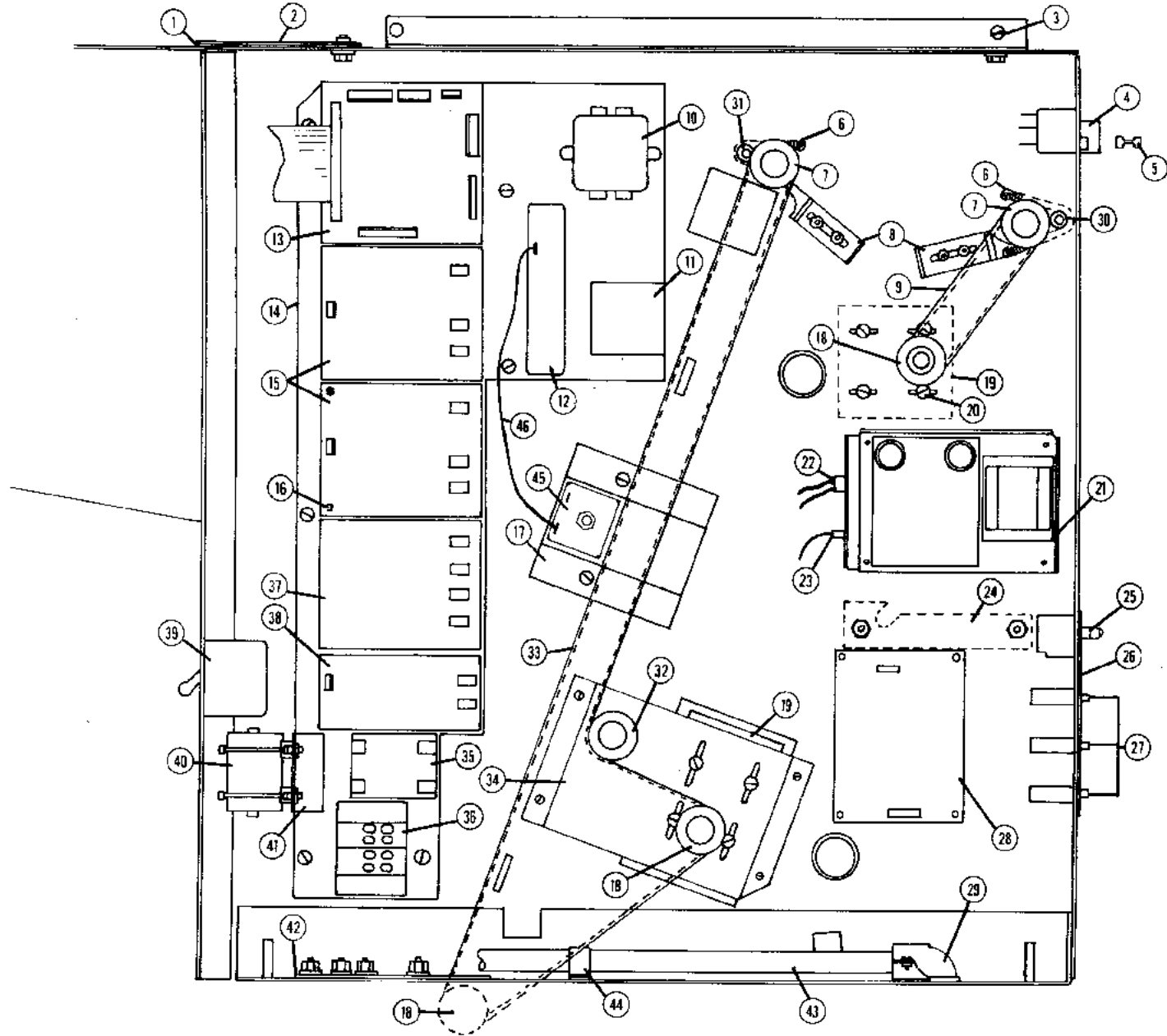
20118101 (615) 20106501 (612)

REF.	DESCRIPTION	612 PART NO.	QTY.	615 PART NO.	AFTER S/N	612 USE P/N	615 P/N
18	Machine screw 10-32 x 1/2"	H0465200					
	Lock washer	H0155200					
	Flat washer	H0156000					
19	Gear	09238800	2				
20	Machine screw 8-32 x 5/8"	H0472300					
	Flat washer	H0156300					
	Lock washer	H0155100					
21	Sprocket	01328001		09744595			
	Chain				12/87		40144671
	Pin	H0509300					
22	Pin	H0507700					
23	Machine screw 6-32 x 7/8"	H0470900	2				
24	Thermal sensor assy.	20187901					
25	Sensor holder	20187701					
26	Front bearing bracket assy.	20090301			12/87		20497401
NS	Rear bearing bracket assy.	20089601			12/87		20517401
27	Nyliner	06754706	2	Qty of 10	12/87		40141115
28	Roller		2	20158101	12/87		20497301
	Spirol pin		2	H0507700			
29	Dryer idler roller			20164401			
	a. Shaft			20164301			
	b. Pulley		6	20164101			
	c. Tolerance ring		6	40149216			
30	"O" ring		6	19511301			
31	L. S. dryer roller bracket			20165002			
NS	H. S. dryer roller bracket			20164902			
32	Adjusting screw		2	H0111200			
	Lock nut		2	H0144400			

NOTICE: THIS CONTAINS CONFIDENTIAL, PROPRIETARY, AND NON-PUBLIC INFORMATION OF ITEX GRAPHIX CORP. DUPLICATION OR REPRODUCTION IN WHOLE OR IN PART OR DISCLOSURE HEREOF TO UNAUTHORIZED PERSONS OR TO UNAUTHORIZED PERSONS WITHOUT THE PRIOR WRITTEN CONSENT OF ITEX GRAPHIX CORP. GRAPHIC SYSTEMS DIVISION IS PROHIBITED.

43A
ELECTRICAL SIDE PANEL

615 Serial No. 1200 and above



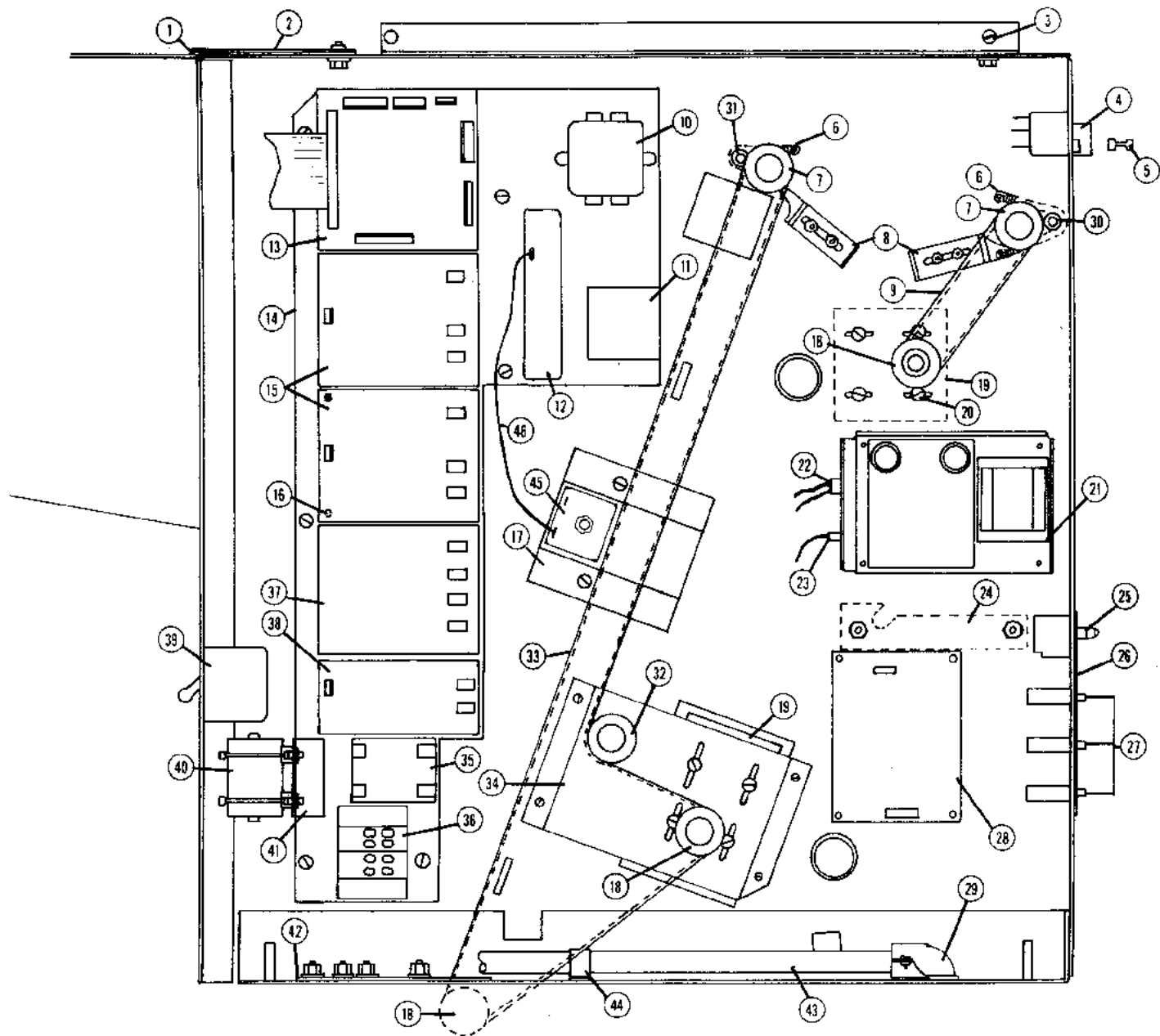
NOTICE: THIS CONTAINS CONFIDENTIAL, PROPRIETARY AND NON-PUBLIC INFORMATION OF ITK GRAPHIC CORP. REPRODUCTION OR REPRODUCTION IN WHOLE OR IN PART OR DISCLOSURE HEREOF TO UNAUTHORIZED PERSONS WITHOUT THE PRIOR WRITTEN CONSENT OF ITK GRAPHIC CORP. GRAPHIC SYSTEMS DIVISION IS PROHIBITED.

REF.	DESCRIPTION	PART NO.	QTY.	REF.	DESCRIPTION	PART NO.	QTY.
1	Spacer	20046901	1	14	Electrical panel	20109801	1
2	Retaining plate	20046801	1		Screw, 8-32 x 3/16	H0582600	6
	Lock washer, #10	H0155100	2		Lock washer, #8	H0155100	6
	Flat washer, #10	H0156000	2	15	Triac PCB	19960709	2
	Screw, 10-32 x 3/8	H0483100	2	16	Standoff	20293401	20
3	Screw, 8-32 x 1/2	H0472200	4	17	Guard	20448601	1
	Flat washer, #8	H0156300	4		Screw, 8-32 x 1/4	H0471900	2
	Lock washer, #8	H0155100	4		Lock washer, #8	H0155100	2
4	Switch, interlock	20286901	1	18	Pulley	20096101	3
5	Switch, cheater	20323301	A/R		Pin, 3/32	H0507700	1
6	Spring	20177701	4	19	Motor	09096201	2
7	Pulley	19349801	2	20	Screw, 8-32 x 5/16	H0586000	4
	Set screw, 8-32 x 1/4	H0113400	2		Flat washer, #8	H0156300	4
8	Bracket	19875601	4	21	Lock washer, #8	H0155100	4
	Screw, 8-32 x 1/4	H0471900	8		Power supply	20315901	1
	Lock washer, #8	H0155100	8	22	Screw, 6-32 x 1/2	H0014000	4
	Flat washer, #8	H0156300	8	23	DC harness	20320401	1
9	Belt	20095901	1	24	AC harness	20320601	1
10	RFI filter	40123950	1		Paper spool bearing	20292301	4
	Nut, 8-32	H0123200	2		Screw, 8-32 x 3/8	H0472300	4
	Flat washer, #8	H0156300	2		Flat washer, #8	H0156300	4
	Lock washer, #8	H0158400	2	25	Lock washer, #8	H0155100	4
11	Timer, corona	19164805	1		Switch	20128501	1
	Nut, 8-32	H0144200	1	26	Arc suppressor	20156902	1
	Suppressor Assy. (.5/200V)	20156901	1	27	Label	20202301	1
	Suppressor Assy. (50/60Hz Power Supply only)	20443501	1		Circuit breaker	40121703	3
12	Terminal block	03692100	1		Retaining Clip	20426301	3
	Nut, 8-32	H0144200	2	28	Dryer control PCB	20187501	1
	Flat washer, #8	H0156300	2	29	Elbow	08703602	1
	Lock washer, #8	H0158400	2	30	Bearing	01371601	2
13	Interconnect PCB	20600701	1	31	Bearing	01371601	2
					E-Ring	H0933100	2
					Washer, special	40152478	2

NOTICE: THIS CONTAINS CONFIDENTIAL, PROPRIETARY AND NON-PUBLIC INFORMATION OF ITT GRAYHIX CORP. DUPLICATION OR REPRODUCTION IN WHOLE OR IN PART OR DISCLOSURE HEREOF TO UNAUTHORIZED PERSONS WITHOUT THE PRIOR WRITTEN CONSENT OF ITT GRAYHIX CORP. GRAPHIC SYSTEMS DIVISION IS PROHIBITED.

43C
ELECTRICAL SIDE PANEL

615 Serial No 1200 and above



NOTICE: THIS CONTAINS CONFIDENTIAL, PROPRIETARY AND NON-PUBLIC INFORMATION OF ITEX GRAPHIX CORP. DUPLICATION OR REPRODUCTION IN WHOLE OR IN PART, OR DISCLOSURE HEREOF TO UNAUTHORIZED PERSONS WITHOUT THE PRIOR WRITTEN CONSENT OF ITEX GRAPHIX CORP. GRAPHIC SYSTEMS DIVISION IS PROHIBITED.

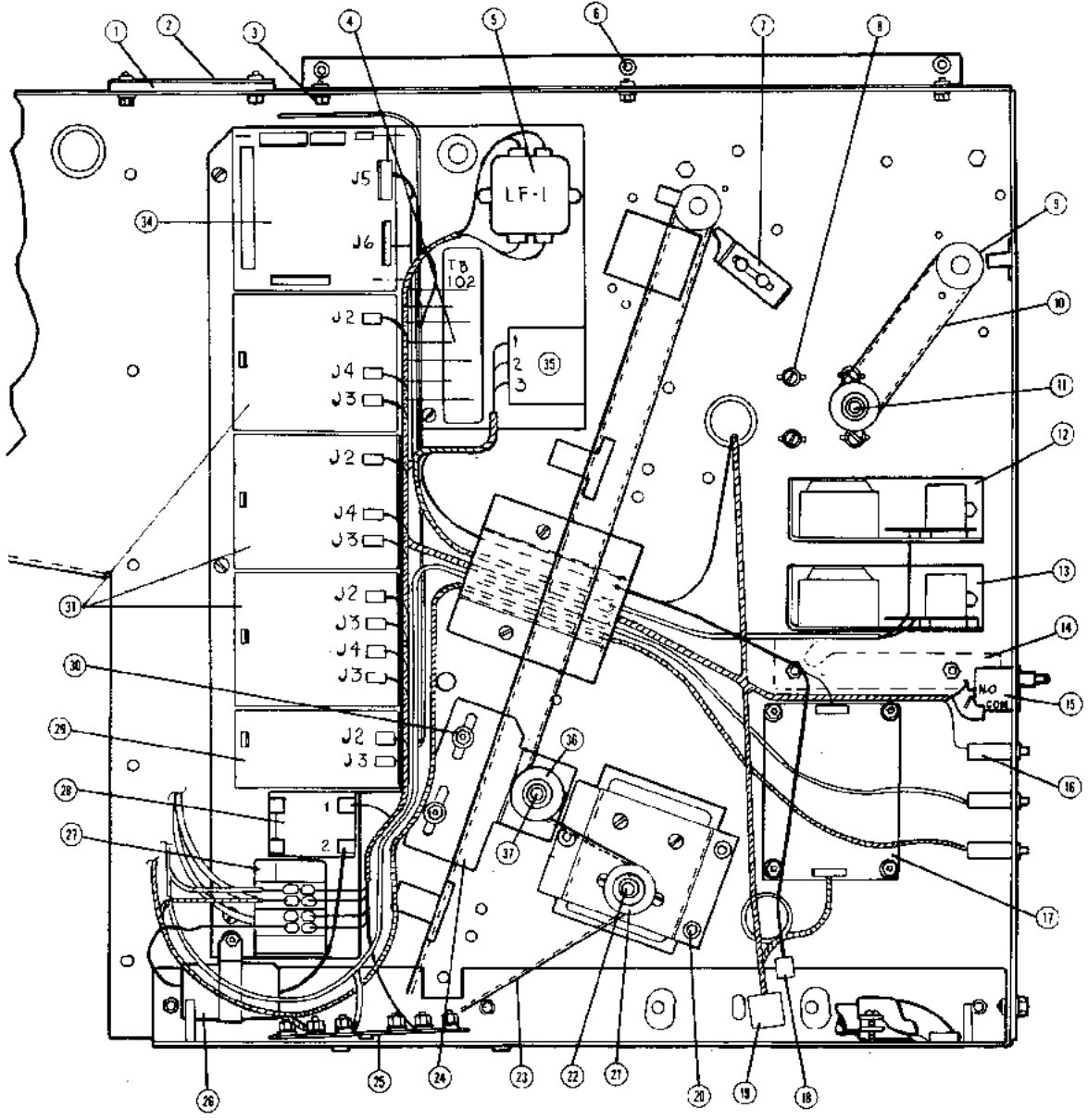
SIDE PLATE ASSEMBLY 20353001

REF.	DESCRIPTION	PART NO.	QTY.	REF.	DESCRIPTION	PART NO.	QTY.
32	Pulley	20096301	1	38	Shutter PCB	20113101	1
	Screw, 1/4 - 20 x 1	H0164200	1	39	Circuit breaker	09346501	1
	Washer, nylon	H0188700	2		Nut, 8-32	H0144200	2
	Flat washer, 1/4	H0156200	1		Flat washer, #8	H0156300	2
	Lock washer, 1/4	H0155300	1		Lock washer, #8	H0155100	2
	Nut, 1/4-20	H0144300	1	40	Choke assembly	20099701	1
33	Belt	20096001	1		Wire tie	E0230800	2
34	Transport motor bracket	20298501	1		Tie base	20213201	2
	Screw, 8-32 x 3/8	H0482500	4	41	Choke bracket	20220802	1
	Flat washer, #8	H0156300	4		Screw, 8-32 x 5/16	H0586000	2
	Lock washer, #8	H0155100	4		Nut, 8-32	H0144200	2
	Nut, 8-32	H0144200	4		Lock washer, #8	H0154600	2
35	Lamp relay	19704101	1	42	Ground strap assembly	20140101	1
	Flat washer, #8	H0156300	2		Flat washer, #10	H0156000	6
	Nut, 8-32	H0904100	2		Lock washer, #10	H0155200	6
36	Terminal block	19792402	1		Nut, 10-32	H0144400	6
	Flat washer, #8	H0156300	2	43	Power cord	05852113	1
	Nut, 8-32	H0904100	2	44	Plug, 30 AMP	09053801	1
37	Triac PCB	19960709	1		Cable clamp	40143809	1
					Screw, 8-32 x 3/8	H0472100	1
				45	Time Delay Module	20472002	1
					Nut, 10-32	H0904200	1
				46	Wire Assembly	20448501	1

NOTICE: THIS CONTAINS CONFIDENTIAL, PROPRIETARY AND NON-PUBLIC INFORMATION OF TEKGRAPHIC CORP. REPRODUCTION OR DISSEMINATION OF THIS INFORMATION IN ANY MANNER WITHOUT THE WRITTEN CONSENT OF TEKGRAPHIC CORP. GRAPHIC SYSTEMS DIVISION IS PROHIBITED.

44
ELECTRICAL PANEL

615 Serial No 1199 and below



NOTICE: THIS CONTAINS CONFIDENTIAL, PROPRIETARY AND NON-PUBLIC INFORMATION OF ITT GRAMPH TEL. DUPLICATION OR REPRODUCTION IN WHOLE OR IN PART OR DISCLOSURE HEREOF TO UNAUTHORIZED PERSONS WITHOUT THE PRIOR WRITTEN CONSENT OF ITT GRAMPH CORP. GRAPHIC SYSTEMS DIVISION IS PROHIBITED.

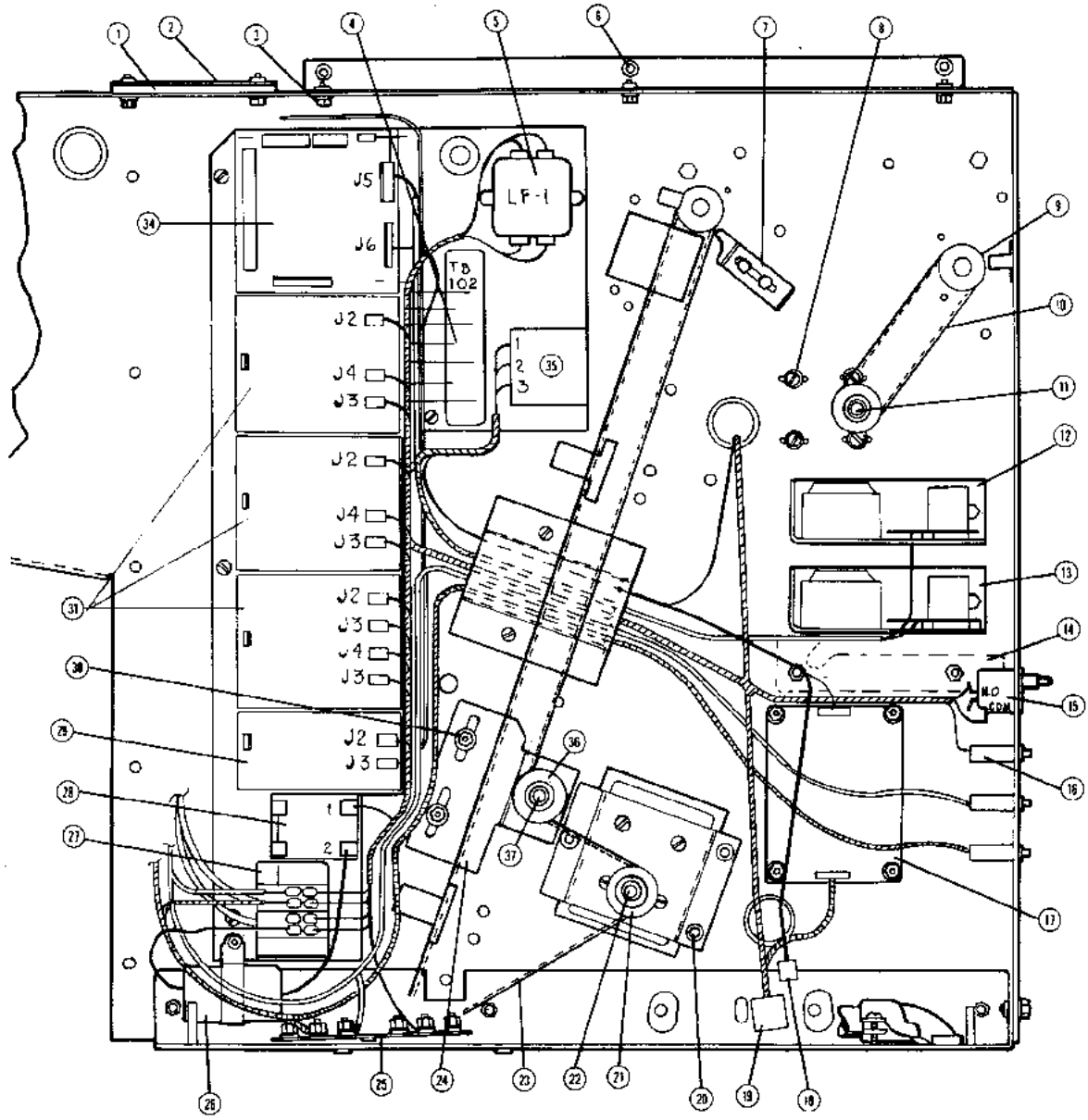
ELECTRICAL PANEL

REF.	DESCRIPTION	612 PART NO.	QTY.	615 PART NO.	AFTER S/N	612 USE P/N	615 P/N
1	Spacer	20046901	2				
2	Retaining plate	20046802	2				
	Cap screw 10-32 x 5/8"	H0483100	4				
	Flat washer	H0156000	4				
	Lock washer	H0155100	4				
5	Machine screw 8-32 x 3/8"	H0482500	4				
	Flat washer	H0156300	4				
	Lock washer	H0155100	4				
4	Terminal block	03692109					
5	RFI filter	40123950					
6	Machine screw 8-32 x 3/8"	H0472100	4				
7	Bracket	19875601	2				
	Machine screw 8-32 x 3/8"	H0482500	4				
	Flat washer	H0156300	4				
	Lock washer	H0155100	4				
8	Machine screw 8-32 x 3/8"	H0472100	8				
	Flat washer	H0156300	8				
	Lock washer	H0155100	8				
9	Pulley	20096101	3				
10	Belt	20095901					
11	Motor	09096201	2				
12	Power supply assy. (5.0 VDC)	19902301	1				
13	Power supply assy. (12.0 VDC)	19974301	1				
14	Paper roll bearing	20095401	2				
	Machine screw 6-32 x 5/8"	H0065500	4				
	Lock washer	H0155300	4				
	Hex nut 1/4 - 20	H0144300	4				
15	Push button switch	20128501					
16	Circuit breaker	40121703	3				
17	Dryer temp. cont. PCB assy.	20187501					
18	D. C. switch harness assy.	20187801					

NOTICE: THIS CONTAINS CONFIDENTIAL, PROPRIETARY AND NON-PUBLIC INFORMATION OF ITK GRAPHIX CORP. DUPLICATION OR REPRODUCTION IN WHOLE OR IN PART OR DISCLOSURE HEREOF TO UNAUTHORIZED PERSONS WITHOUT THE PRIOR WRITTEN CONSENT OF ITK GRAPHIX CORP. GRAPHIX SYSTEMS DIVISION IS PROHIBITED.

46
ELECTRICAL PANEL

615 Serial No 1199 and below



NOTICE: THIS CONTAINS CONFIDENTIAL, PROPRIETARY AND NON-PUBLIC INFORMATION OF ITEX GRAPHICS CORP. DUPLICATION OR REPRODUCTION IN WHOLE OR IN PART OR DISCLOSURE HEREOF TO UNAUTHORIZED PERSONS WITHOUT THE PERMISSION OR CONSENT OF ITEX GRAPHICS CORP. GRAPHIC SYSTEMS DIVISION IS PROHIBITED.

ELECTRICAL PANEL

REF.	DESCRIPTION	612 PART NO.	QTY.	615 PART NO.	AFTER S/N	612 USE P/N	615 P/N
19	A.C. panel box harness assy.	19973701					
20	Machine screw 8-32 x 3/8"	H0482500	3				
	Lock washer	H0155100	3				
21	Pulley	20096101					
22	Motor	09096201					
23	Belt	20096001					
24	Idler bracket	20112501					
25	Grounding strap assy.	20140101					
	Flat washer	H0156000	6				
	Lock washer	H0155200	6				
	Hex nut 10-32	H0144400	6				
26	Filter choke assy.	20099701					
27	Terminal block	19792401					
28		19704101					
	Solid state relay						
29	Shutter P.C.B. assy.	20113101					
30	Flat washer	H0156200	2				
	Lock washer	H0155300	2				
	Hex nut 1/4 - 20	H0144300	2				
31	Triac board assy. (3 CKT)	19960704	3				
34	Interconnect P.C.B. assy.	20095501		20238201	INTERCHANGEABLE W/ALL MACHINES		
	Machine screw 6-32 x 1/4"	H0470400	4				
	Flat washer	H0156400	4				
	Lock washer ext. tooth	H0158300	4				
35	Timer (corona cut out)	19164805					
36	Resistor	20156901					
37	Pulley	20096101					
	Shoulder screw 1/4-20 x 1"	H0164200	2				
	Nylon washer	H0188700					

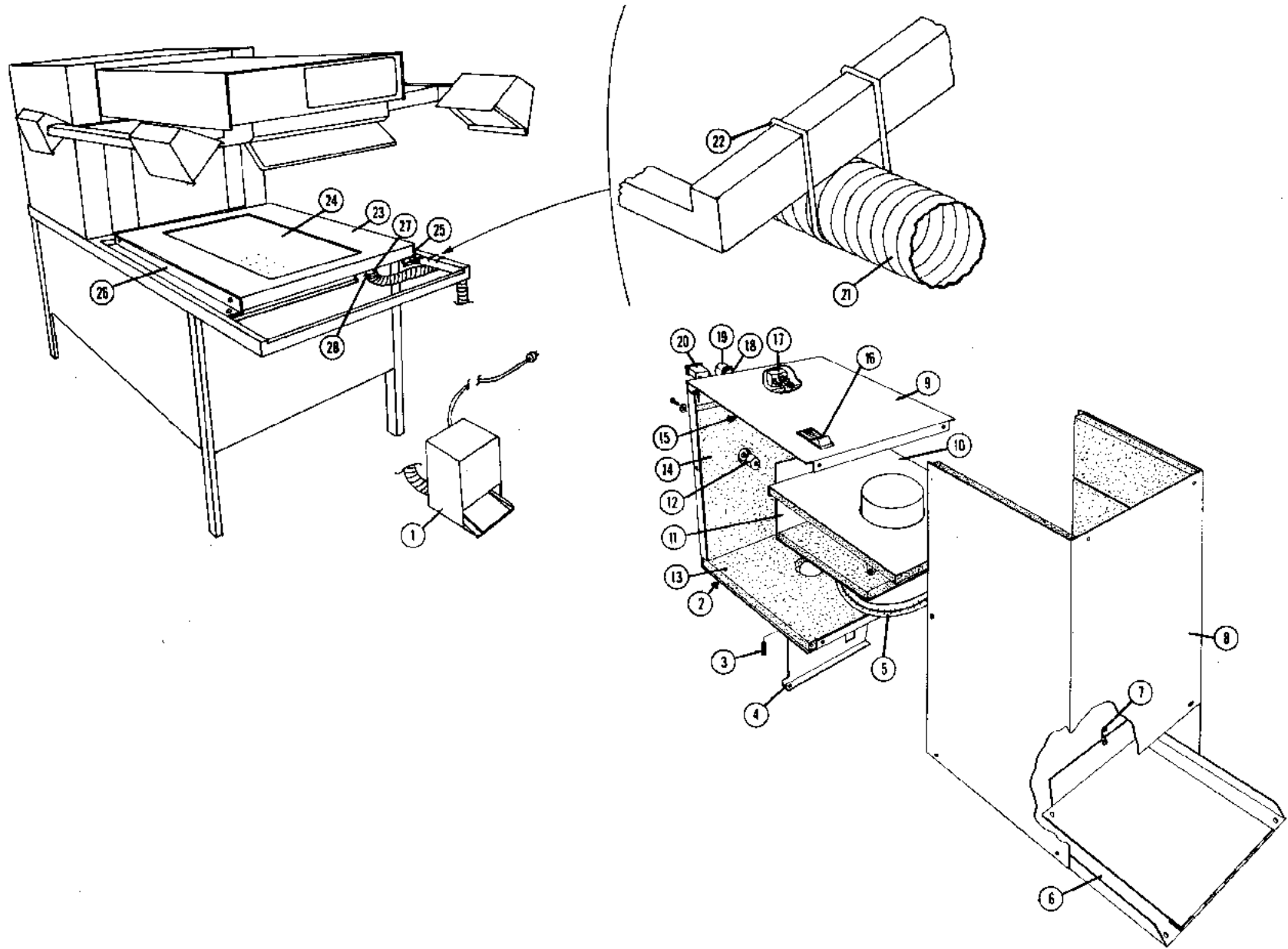
NOTICE: THIS CONTAINS CONFIDENTIAL, PROPRIETARY AND NON-PUBLIC INFORMATION OF ITT CANONIC CORP. REPRODUCTION OR TRANSMISSION OF THIS DOCUMENT OR DISSEMINATION OF INFORMATION CONTAINED HEREIN TO UNAUTHORIZED PERSONS WITHOUT THE PRIOR WRITTEN CONSENT OF ITT CANONIC CORP. CANONIC SYSTEMS DIVISION IS PROHIBITED.

ACCESSORIES

NOTICE: THIS CONTAINS CONFIDENTIAL, PROPRIETARY AND NON-PUBLIC INFORMATION OF ITEX GRAPHIX CORP. DUPLICATION OR REPRODUCTION IN WHOLE OR IN PART OR DISCLOSURE HEREOF TO UNAUTHORIZED PERSONS WITHOUT THE PRIOR WRITTEN CONSENT OF ITEX GRAPHIX CORP. GRAPHIC SYSTEMS DIVISION IS PROHIBITED.

VACUUM COPYBOARD ASSEMBLY

20334001



Vacuum Copyboard Assembly 20334001

REF.	DESCRIPTION	PART NO.	QTY.	REF.	DESCRIPTION	PART NO.	QTY.
1	Blower Assembly Complete	20334101	1	13	Foam	20329101	1
2	Foot	19837301	2	14	Foam	20329201	1
3	Spring	20335401	2	15	Foam	20328801	1
4	Valve Assembly	20328601	1	16	Switch	19229701	1
	Nut, 6-32	H0904000	2	17	Rectifier	40127503	1
	Spacer, .62" x 5.0"	20328100	1		Nut, 8-32	H0144200	1
5	Blower Only	20333901	1		Lock Washer, #8	H0155100	1
6	Treadle Assembly	20368401	1		Heatsink Compound	H0833700	A/R
	Screw, 8-32 x 1/4	H0471900	4	18	Power Cord	20334401	1
	Lock Washer, #8	H0155100	4	19	Strain Relief	40128312	1
7	Link	20327101	1	20	Circuit Breaker	40121704	1
8	Cover Assembly	20335801	1	21	Flex Hose	19491901	1
	Foam, 1.5" x 7.0"	20329401	1	22	Wire Clamp	20364201	1
	Foam, 3.6" x 7.0"	20336301	1	23	Mask	20363401	1
	Foam, 3.6" x 7.5"	20329301	1	24	Vacuum Platen Assembly Complete	20327301	1
	Foam, 2.0" x 7.5"	20329501	1		Screw, 1/4-20 x 2	H0484700	4
	Screw, 8-32 x 1/4	H0471900	6		Nut, 1/4-20	H0124200	12
	Lock Washer, #8	H0155100	6		Vacuum Platen Only	20332101	1
9	Blower Housing Assembly Complete	20334601	1	35	Angle, R.H.	20362201	1
10	Shield Assembly	20336501	1		Angle, R.H. (70%)	20387901	1
	Foam, 7.5" x 8.0"	20328901	1	26	Angle, L.H.	20362101	1
	Screw, 10-32 x 1/2	H0465200	2		Angle, L.H. (70%)	20387801	1
	Lock Washer, #10	H0155200	1		Screw, 8-32 x 3/16	H0586000	4
11	Blower Bracket Assembly Complete	20332901	1		Lock Washer, #8	H0155100	4
	Blower	20333901	1	27	Vacuum Box	20327601	1
	Foam	20329001	1		Vacuum Box (70%)	20388301	1
	Bracket	20328401	1		Screw, 8-32 x 5/16	H0586000	4
	Screw, 10-32 x 1	H0065700	4		Lock Washer, #8	H0155100	4
	Washer	09888600	4		Flat Washer, #8	H0156300	4
	Vibration Isolator	20050702	4		Self Tap Screw, 10 x 1/2	H0269400	1
	Nyliner	06754800	4		Washer, #10	H0156900	1
	Vibration Isolator	20050701	4		Adhesive	H0885400	A/R
12	Spacer	40150179	3	28	Hose Clamp	08327601	2
	Screw, 10-32 x 1	H0065700	3				
	Lock Washer, #10	H0155200	3				
	Flat Washer, #10	H0156000	3				

NOTICE: THIS CONTAINS CONFIDENTIAL, PROPRIETARY AND NON-PUBLIC INFORMATION OF TEX GRAPHIC CORP. DUPLICATION OR REPRODUCTION IN WHOLE OR IN PART OR DISCLOSURE THEREOF TO UNAUTHORIZED PERSONS WITHOUT THE PRIOR WRITTEN CONSENT OF TEX GRAPHIC CORP. GRAPHIC SYSTEMS DIVISION IS PROHIBITED.