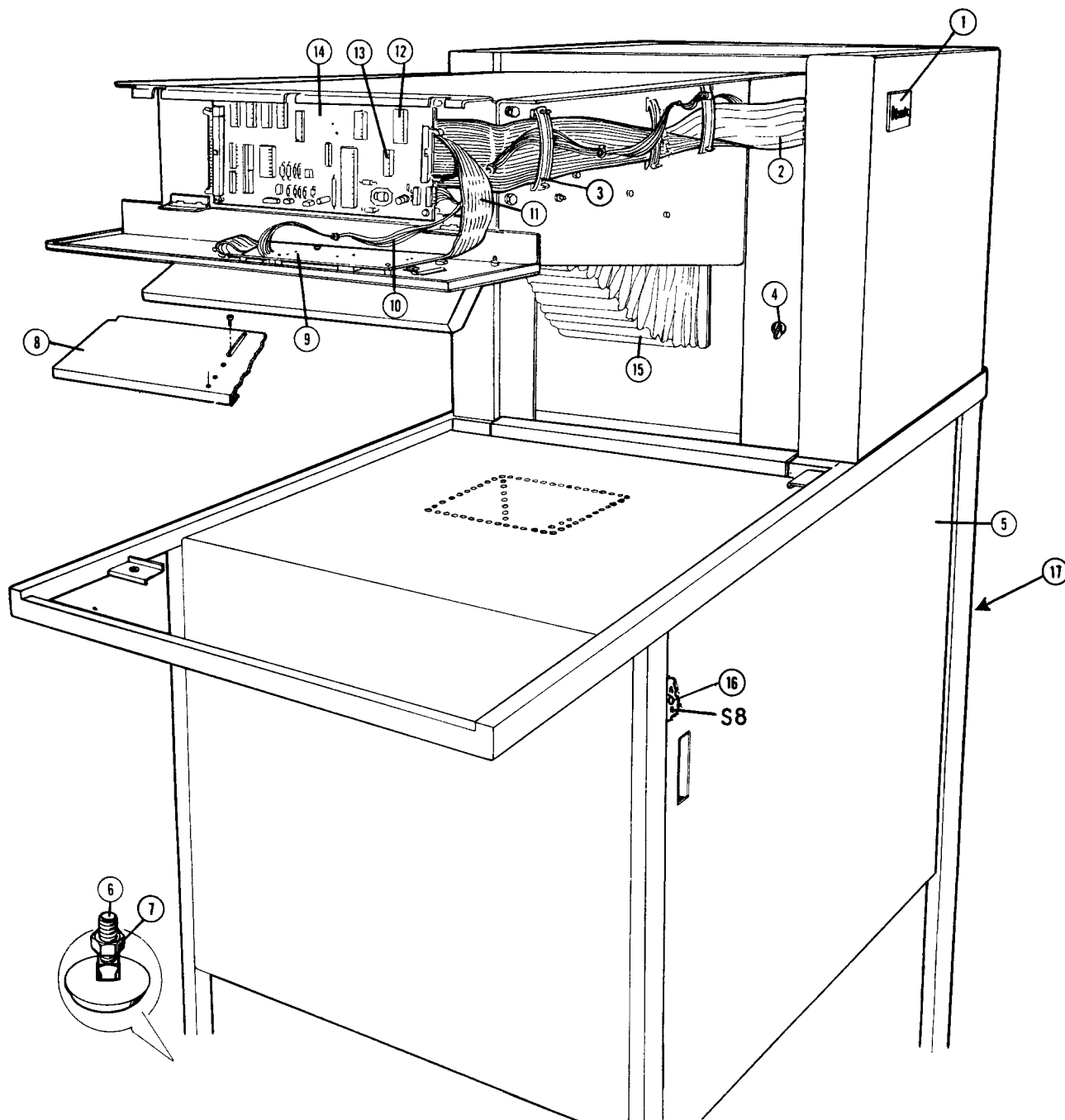


PARTS

NOTICE: THIS MANUAL CONTAINS CONFIDENTIAL, PROPRIETARY AND NON-PUBLIC INFORMATION OF ITEK GRAPHIX CORP. DUPLICATION OR REPRODUCTION (IN WHOLE OR IN PART) OF THIS MANUAL OR DISCLOSURE HEREOF TO UNAUTHORIZED PERSONS WITHOUT THE PRIOR WRITTEN CONSENT OF ITEK GRAPHIX CORP IS PROHIBITED

2
OVERHANG



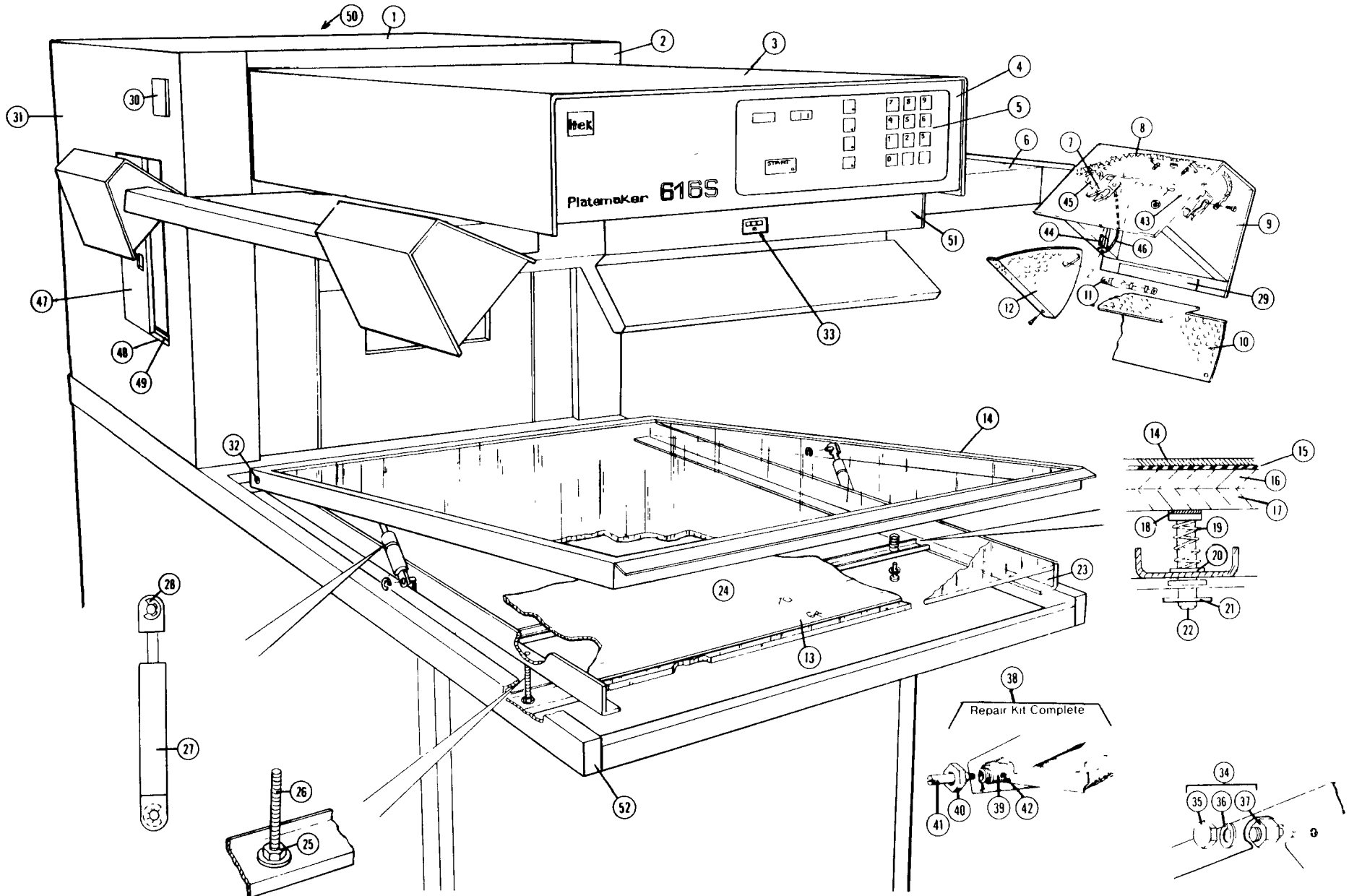
NOTICE: THIS MANUAL CONTAINS CONFIDENTIAL, PROPRIETARY AND NON-PUBLIC INFORMATION OF ITEK GRAPHIX CORP. DUPLICATION OR REPRODUCTION (IN WHOLE OR IN PART) OF THIS MANUAL OR DISCLOSURE HEREOF TO UNAUTHORIZED PERSONS WITHOUT THE PRIOR WRITTEN CONSENT OF ITEK GRAPHIX CORP IS PROHIBITED

OVERHANG

| Ref. | Description | Part No. | Qty. |
|------|------------------------------|----------|------|
| 1 | Logo | 20374701 | 1 |
| 2 | CPU Board Cable Assembly | 19972501 | 1 |
| 3 | Cable Clamp | 20111101 | 4 |
| 4 | Circuit Breaker | 09346500 | 1 |
| 5 | Processor Door Assy. | 206899 | 1 |
| 6 | Foot | 19604101 | 4 |
| 7 | Lock Nut | H0124700 | 4 |
| 8 | Light Shield | 20178801 | 1 |
| 9 | Display P.C.B. Assembly | 20086701 | 1 |
| | Lamp, Red, "JAM" | 19898001 | 1 |
| | Lamp, Red, "LTS" & "DEY" | 20286801 | 1 |
| 10 | D.C. Power Cable Assembly | 19972601 | 1 |
| 11 | Display Board Cable Assembly | 19972401 | 1 |
| 12 | Prom | 207013 | 1 |
| 13 | Memory IC | 40124570 | A/R |
| 14 | C.P.U. P.C.B. Assembly | 20161501 | 1 |
| 15 | Bellows Assembly | 20113002 | 1 |
| 16 | Interlock Switch | 20355401 | 1 |
| 17 | Rear Panel Only | 207137 | 1 |
| NS | Print Catcher Only | 20009001 | 1 |
| NS | Drain Bucket | 20252401 | 1 |
| NS | Cabinet Fan | E0216500 | 1 |
| NS | Cabinet Drip Pan | 207317 | 1 |

MOVABLE LAMP ARM H.S. - 20611301
MOVABLE LAMP ARM L.S. - 20611401

COPYBOARD ASSEMBLY - 20121101 (Includes Items 14-23)



NOTICE: THIS MANUAL CONTAINS CONFIDENTIAL PROPRIETARY (IN WHOLE OR IN PART) OF THIS MANUAL OR DISCLOSURE HEREOF TO IS PROHIBITED

IN PUBLIC INFORMATION OF ITEK GRAPHIX CORP. DUPLICATION OR REPRODUCTION BY UNAUTHORIZED PERSONS WITHOUT THE PRIOR WRITTEN CONSENT OF ITEK GRAPHIX CORP.

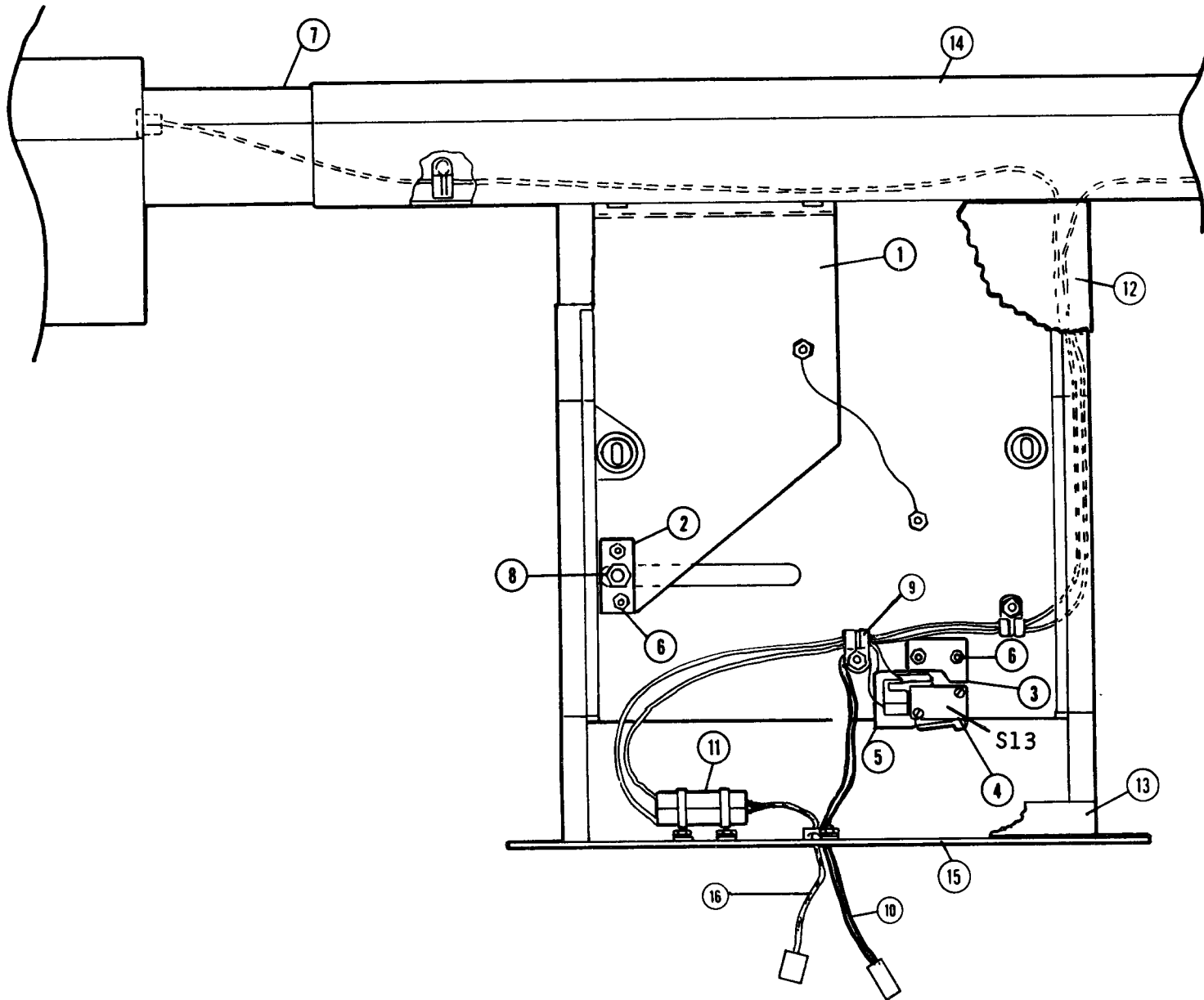
MOVABLE LAMP ARM H.S. - 20611301
 MOVABLE LAMP ARM L.S. - 20611401

COPYBOARD ASSEMBLY - 20121101 (Includes Items 14-23)

| Ref. | Description | Part No. | Qty. | Ref. | Description | Part No. | Qty. |
|------|------------------------------|----------|------|------|---------------------------|----------|---------|
| 1 | Top Cover | 20392001 | 1 | 29 | Label - Lamp | 20438902 | 4 |
| | Felt Tape | 40151373 | A/R | 30 | Logo | 20374701 | 1 |
| 2 | Side Cover (latch side) | 20048001 | 2 | 31 | Side Cover (hinge side) | 20611001 | 1 |
| 3 | Overhang Cover Assembly | 20047704 | 1 | | (w/sliding door) | | |
| 4 | Control Panel (silk screen) | 20127704 | 1 | 32 | Hinge Pin | 20153401 | 2 |
| 5 | Keypad Assembly | 20085001 | 1 | | Set Screw (hinge) | H0113400 | 2 |
| 6 | Movable Lamp Arm H.S. | 20611130 | 1 | | Nyliner (hinge) | 06754703 | 2 |
| | Movable Lamp Arm L.S. | 20611401 | 1 | 33 | Counter | 20606601 | 1 |
| 7 | Socket Only | 09188201 | 8 | | Battery, Type "N" | | |
| | Wire Spade | 40131789 | 8 | | (Purchase Locally) | | |
| 8 | Lamp Cable - Front | 20669301 | 1 | 34 | Stud Repair Kit Complete | 20431501 | A/R |
| | Lamp Cable - Rear | 20669201 | 1 | 35 | Nut, 10-32 Cap | H0141000 | A/R |
| 9 | Lamp Shell Assy. (P/O #6) | 20123301 | 4 | 36 | Lock Washer, #10 | H0155200 | A/R |
| 10 | Reflector (P/O #12 & 43) | 206782 | 4 | 37 | Pivot Stud | 20431601 | A/R |
| | Machine Screw | H0263500 | 16 | 38 | Hinge Repair Kit Complete | 20447001 | A/R |
| 11 | Quartz Lamp 500W | 19068201 | 4 | 39 | Bearing | 20446801 | A/R |
| 12 | Reflector End (P/O #10 & 43) | 206782 | | 40 | Nut | H0127200 | A/R |
| 13 | Tape, Double Sided | 40151322 | A/R | 41 | Hinge Pin | 20446901 | A/R |
| 14 | Cover Weldment Assembly Only | 20120701 | 1 | 42 | Set Screw | H0076400 | A/R |
| 15 | Tape | 40151356 | A/R | 43 | Lamp Bracket | 206782 | 4 |
| 16 | Cover Glass | 20097702 | 1 | | (includes #10 & 12) | | |
| 17 | Platen Glass | 20097802 | 1 | 44 | Bracket, Fastener | 206935 | 16 |
| 18 | Adhesive | 40143535 | A/R | 45 | Clamp Plate | 20358301 | 4 |
| | Adhesive Activator | 40143536 | A/R | 46 | Wire Assembly (ground) | 20251801 | 4 |
| 19 | Compression Spring | 20185501 | 4 | 47 | Sliding Door | 206109 | 1 |
| 20 | Nyliner | 06754700 | 4 | 48 | Track Tape | 40151321 | 3.5 ft. |
| 21 | Retaining Ring | H0933100 | 4 | 49 | Door Slide Track | 20610501 | 2 |
| 22 | Platen Stud | 20422101 | 4 | | Nut, 8-32 | H0904100 | 3 |
| 23 | Frame Weldment Assembly | 20646801 | 1 | 50 | Rear Door Assembly | 206836 | 1 |
| 24 | Chart (English/Metric) | 20126901 | 1 | | Magnet, Latch | 08974201 | 2 |
| 25 | Nut, 1/4-20 | H0124200 | 8 | 51 | Front Plate | 207077 | 1 |
| 26 | Stud | H0484700 | 4 | 52 | End Plug, plastic | 19620702 | 2 |
| 27 | Counter Balance | 20143401 | 2 | | | | |
| 28 | Retaining Ring | H0933100 | 8 | | | | |

NOTICE: THIS MANUAL CONTAINS CONFIDENTIAL, PROPRIETARY AND NON-PUBLIC INFORMATION OF ITEK GRAPHIX CORP. DUPLICATION OR REPRODUCTION (IN WHOLE OR IN PART) OF THIS MANUAL OR DISCLOSURE HEREOF TO UNAUTHORIZED PERSONS WITHOUT THE PRIOR WRITTEN CONSENT OF ITEK GRAPHIX CORP IS PROHIBITED

MOVABLE LAMP ASSEMBLY H.S. - 20611301
 MOVABLE LAMP ASSEMBLY L.S. - 20611401

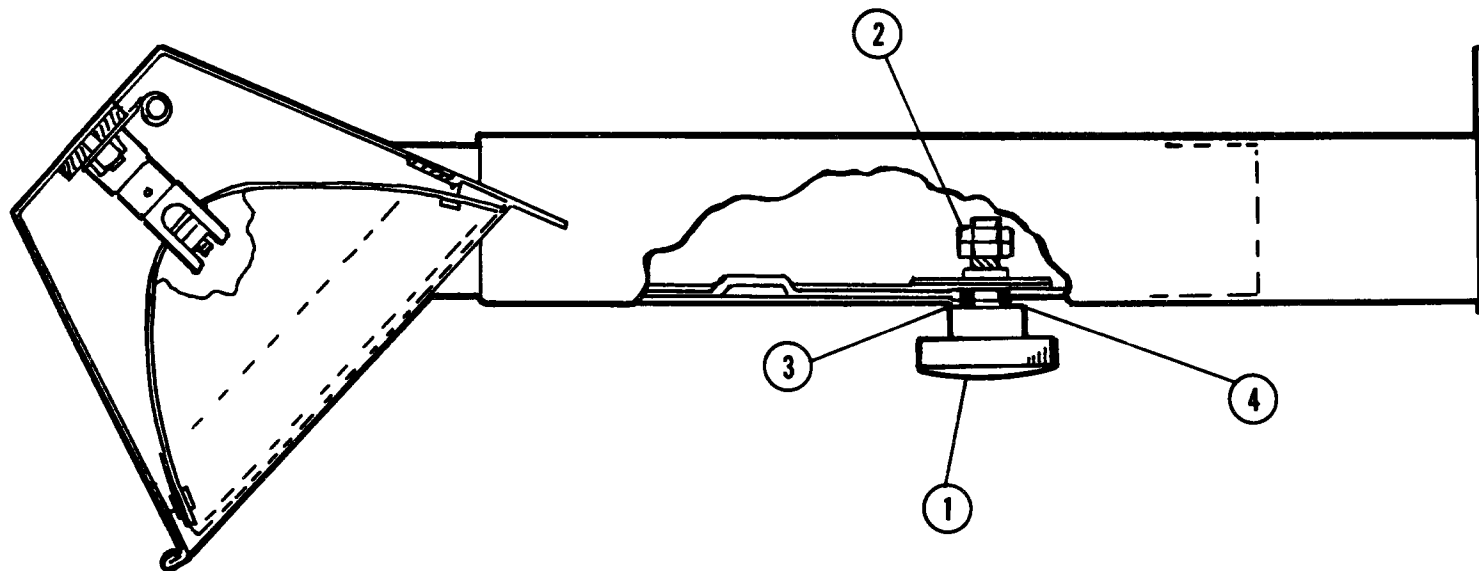


MOVABLE LAMP ASSEMBLY H.S. - 20611301
 MOVABLE LAMP ASSEMBLY L.S. - 20611401

| Ref. | Description | Part No. | Qty. |
|------|-----------------------|----------|------|
| --- | ----- | ----- | --- |
| 1 | H.S. Tie Plate | 20402701 | 1 |
| NS | L.S. Tie Plate | 20402601 | 1 |
| 2 | Nut Plate | 20277601 | 2 |
| 3 | Switch Bracket | 19279501 | 1 |
| 4 | Switch | 19057401 | 1 |
| 5 | Insulator | 01094600 | 1 |
| 6 | Nut | H0904100 | 4 |
| 7 | H.S. Front Lamp Arm | 20402301 | 1 |
| NS | L.S. Front Lamp Arm | 20402001 | 1 |
| 8 | Jam Nut | H0145400 | 2 |
| 9 | Wire Clamp | 09779700 | 2 |
| 10 | Lamp Switch Harness | 20602301 | 1 |
| 11 | Commoning Block | 19166701 | 2 |
| 12 | Cover | 20605101 | 2 |
| 13 | Inner Angle | 20605501 | 2 |
| 14 | Lamp Arm Weld. (H.S.) | 20402201 | 1 |
| NS | Lamp Arm Weld. (L.S.) | 20402101 | 1 |
| 15 | Mounting Plate (H.S.) | 20401901 | 1 |
| NS | Mounting Plate (L.S.) | 20401801 | 1 |
| 16 | Lamp Harness Assembly | 20602401 | 2 |

NOTICE: THIS MANUAL CONTAINS CONFIDENTIAL, PROPRIETARY AND NON-PUBLIC INFORMATION OF ITEK GRAPHIX CORP. DUPLICATION OR REPRODUCTION (IN WHOLE OR IN PART) OF THIS MANUAL OR DISCLOSURE HEREOF TO UNAUTHORIZED PERSONS WITHOUT THE PRIOR WRITTEN CONSENT OF ITEK GRAPHIX CORP IS PROHIBITED

MOVEABLE LAMP ASSEMBLY



64 - 79% Lamps out

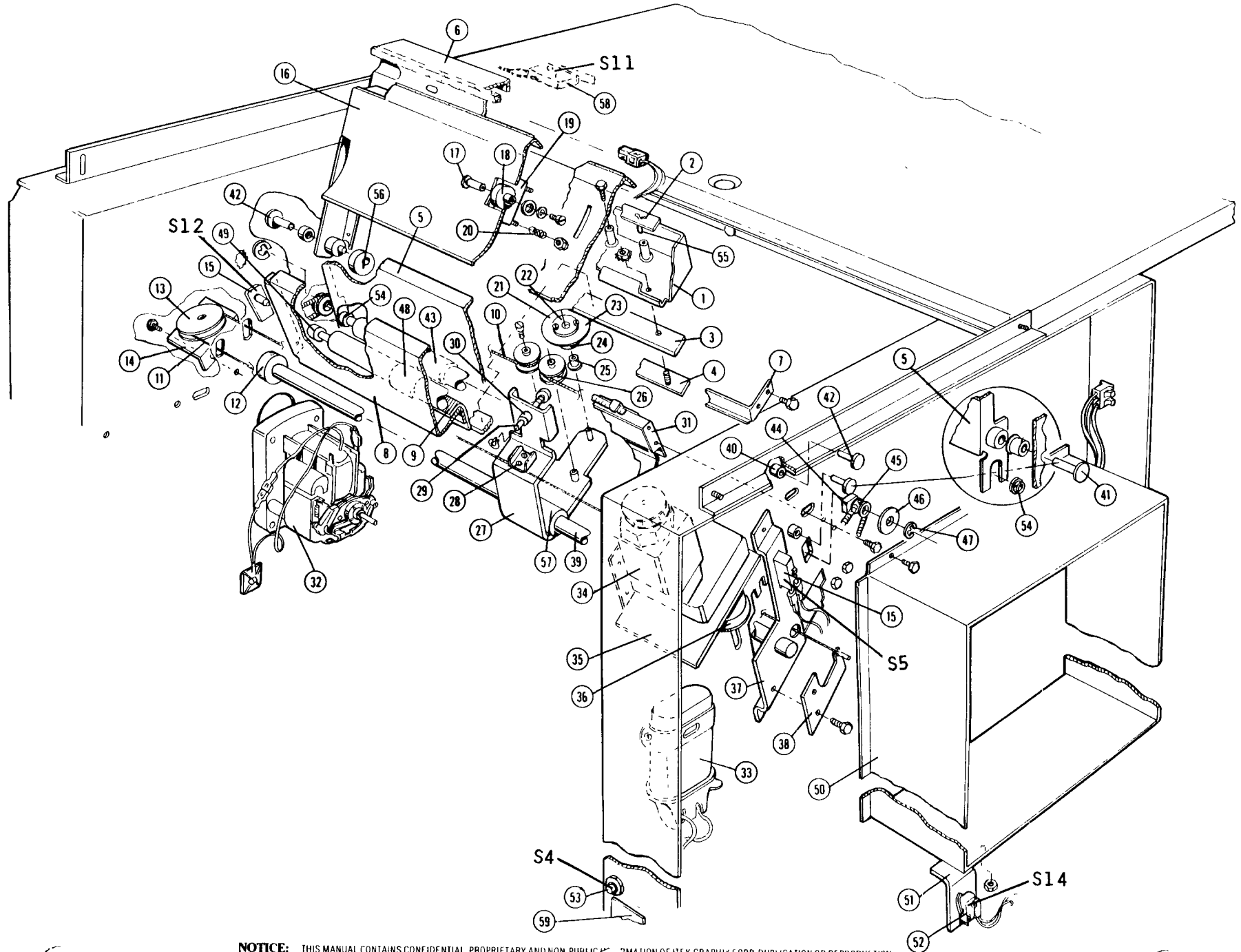
80 - 105% Lamps in

MOVEABLE LAMP ASSEMBLY

| Ref. | Description | Part No. | Qty. |
|------|----------------|----------|------|
| 1 | Knob | 20287001 | 2 |
| 2 | Jam Nut | H0145400 | 4 |
| 3 | Plastic Washer | 40152481 | 2 |
| 4 | Bushing | 20277701 | 2 |

NOTICE: THIS MANUAL CONTAINS CONFIDENTIAL PROPRIETARY AND NON PUBLIC INFORMATION OF ITEK GRAPHIX CORP. DUPLICATION OR REPRODUCTION (IN WHOLE OR IN PART) OF THIS MANUAL OR DISCLOSURE HEREOF TO UNAUTHORIZED PERSONS WITHOUT THE PRIOR WRITTEN CONSENT OF ITEK GRAPHIX CORP IS PROHIBITED

10
SUPPLY AND KNIFE AREA

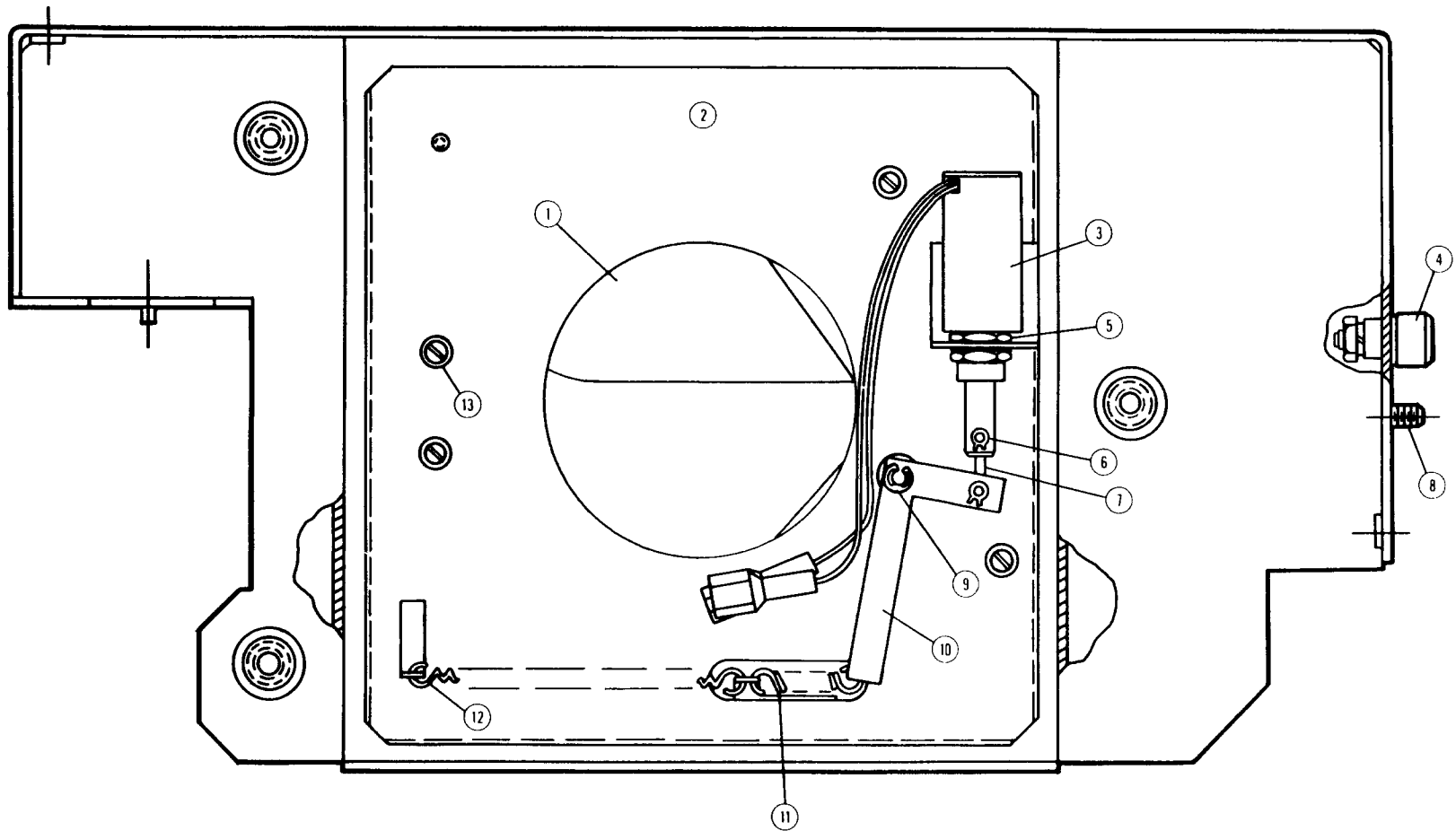


NOTICE: THIS MANUAL CONTAINS CONFIDENTIAL PROPRIETARY AND NON PUBLIC INFORMATION OF ITEK GRAPHIC CORP. DUPLICATION OR REPRODUCTION (IN WHOLE OR IN PART) OF THIS MANUAL OR DISCLOSURE HEREOF TO UNAUTHORIZED PERSONS WITHOUT THE PRIOR WRITTEN CONSENT OF ITEK GRAPHIC CORP. IS PROHIBITED.

SUPPLY AND .IFE AREA

| Ref. | Description | Part No. | Qty. | Ref. | Description | Part No. | Qty. |
|------|---|----------|------|------|-------------------------------|----------|------|
| 1 | Fogger/Stationary Knife Assy. (Items 2,3, & 4 assembled) | 20605201 | 1 | 33 | Capacitor | 08700126 | 1 |
| 2 | Fogger P.C.B. | 20605501 | 1 | 34 | Nut, 6-32 | H0144100 | 2 |
| 3 | Screw, 6-32 x 1/2" | H0683800 | 4 | | Knife Motor | 20467101 | 1 |
| 4 | Stationary Knife | 20577201 | 1 | | Screw, 10-32 x 3/8 | H0465400 | 4 |
| | Plate | 20605301 | 1 | | Lock Washer, #10 | H0155200 | 4 |
| | Nut, 8-32 | H0904100 | 4 | 35 | Flat Washer, #10 | H0156900 | 2 |
| | Flat Washer, #8 | H0156300 | 4 | | Motor Bracket | 20607301 | 1 |
| 5 | Inner Guide | 206819 | 1 | | Screw, 10 x 32 x 3/8 | H0687300 | 2 |
| 6 | Top Guide Cover | 206941 | 1 | 36 | Drum | 20297501 | 1 |
| 7 | Guide | 20607801 | 1 | | Set Screw, 8-32 x 1/4 | H0076900 | 2 |
| | Screw, 8-32 x 3/8 | H0687200 | 4 | | Set Screw, 10-32 x 3/8 | H0116400 | 1 |
| 8 | Guide | 20607101 | 1 | 37 | Switch Bracket | 20608401 | 1 |
| | Screw, 8-32 x 3/8 | H0687200 | 4 | | Screw, 10-32 x 3/8 | H0687300 | 2 |
| 9 | Light Seal | 40151370 | A/R | | Pin, .187 x 3/8 | H0258600 | 2 |
| | Double Sided Tape | 40151371 | A/R | 38 | Spring, Leaf | 19886301 | 1 |
| 10 | Knife Cable - short | 20576901 | 1 | | Flat Washer, #8 | H0156300 | 2 |
| 11 | Knife Cable - long | 20577001 | 1 | | Screw, 8-32 x 3/8 | H0822400 | 2 |
| 12 | Bumper | 20305401 | 2 | 39 | Shaft, Knife Carrier | 20606801 | 1 |
| 13 | Pulley | 19883701 | 1 | | Nut, 10-32 | H0144400 | 1 |
| | Retainer | H0928600 | 1 | 40 | Bearing | 09258004 | 4 |
| 14 | Bracket | 20297201 | 1 | 41 | Pivot Pin, 1/4 x 3/4 | H0348800 | 2 |
| | Screw, 10-32 x 3/8 | H0687300 | 2 | 42 | Pivot Pin, 1/4 x 1-1/4 | H0349000 | 2 |
| 15 | Switch | 20128501 | 2 | | Set Screw, 6-32 x 3/16 | H0116000 | 4 |
| 16 | Upper Guide Assembly (Items 30-33 assembled) | 206840 | 1 | 43 | Steel Roller | 20311701 | 1 |
| 17 | Pem Stand-off, 6-32 x 5/8 | H0913300 | 1 | 44 | Bearing | 01371601 | 2 |
| | Screw, 6-32 x 1/4 | H0470400 | 1 | 45 | Spring | 09572400 | 2 |
| | Lock Washer, #6 | H0155000 | 1 | 46 | Washer, Plastic | 40152478 | 2 |
| | Flat Washer, #6 | H0156400 | 1 | 47 | Retainer | H0933100 | 2 |
| 18 | Roller | 20312001 | 1 | 48 | Steel w/Rubber Segment Roller | 20083001 | 1 |
| 19 | Bracket | 207442 | 1 | 49 | Bearing | 09258021 | 2 |
| 20 | Spring | 01393901 | 1 | | Retainer | H0932800 | 2 |
| | Nut, Locking, 8-32 | H0133600 | 2 | 50 | Shroud | 20608601 | 1 |
| 21 | Knife, Rotary (one piece unit) | 20309801 | 1 | | Screw, 10-32 x 3/8 | H0687300 | 4 |
| | Knife, Rotary | 206915 | 1 | 51 | Switch Bracket (old style) | 206845 | 1 |
| | (Items 21-25 assembled) | | | | Switch Bracket (new style) | 207503 | 1 |
| 22 | Plate | 206912 | 1 | | used with "T" Cheater | | |
| | Pan Head Screw, 4-40 x 1/4" | H0687000 | 2 | 52 | Nut, 8-32 | H0904100 | 2 |
| | Flat Head Screw, 4-40 x 3/16" | H0037800 | 2 | | Switch (S14) | 19057401 | 1 |
| 23 | Knife, Rotary Disc | 206913 | 1 | | Switch used with "T" Cheater | 19299401 | 1 |
| 24 | Hub | 206914 | 1 | | Nut Plate | 08949300 | 2 |
| 25 | Bearing | 09258002 | 1 | | Flat Washer, #4 | H0156500 | 2 |
| 26 | Cable Roller | 20297701 | 2 | | Lock Washer #4 | H0155700 | 2 |
| | Screw, 6-32 x 1/4 | H0470400 | 2 | | Switch Insulator | 01094600 | 1 |
| 27 | Carrier Assembly | 20298801 | 1 | | "T" Cheater | 20323301 | A/R |
| 28 | Clamp Plate | 19696901 | 1 | 53 | Switch, Prefeed | 09072601 | 1 |
| | Screw, 6-32 x 1/4 | H0470400 | 2 | 54 | Nyliner, Bearing | 06754700 | 2 |
| 29 | Button | 20297601 | 1 | 55 | Fogger Lamp | 19214301 | 4 |
| 30 | Bearing | 02447900 | 1 | 56 | Cam, Eccentric | 206821 | 2 |
| | Spring | 20314101 | 1 | | Set Screw, 6-32 x 3/16 | H0116000 | 4 |
| 31 | Side Guide Assembly Complete | 20608701 | 1 | 57 | Bearing Assy. - Knife Carrier | 20311901 | 1 |
| | Screw, 10-32 x 3/8 | H0687300 | 4 | 58 | Switch | 19057401 | 1 |
| 32 | Wind/Transport Motor | 09096201 | 2 | 59 | Prefeed Label | 20365601 | 1 |
| | Screw, 8-32 x 3/8 | H0687200 | 4 | | | | |

12
LENS CARRIER ASSEMBLY - 20135201



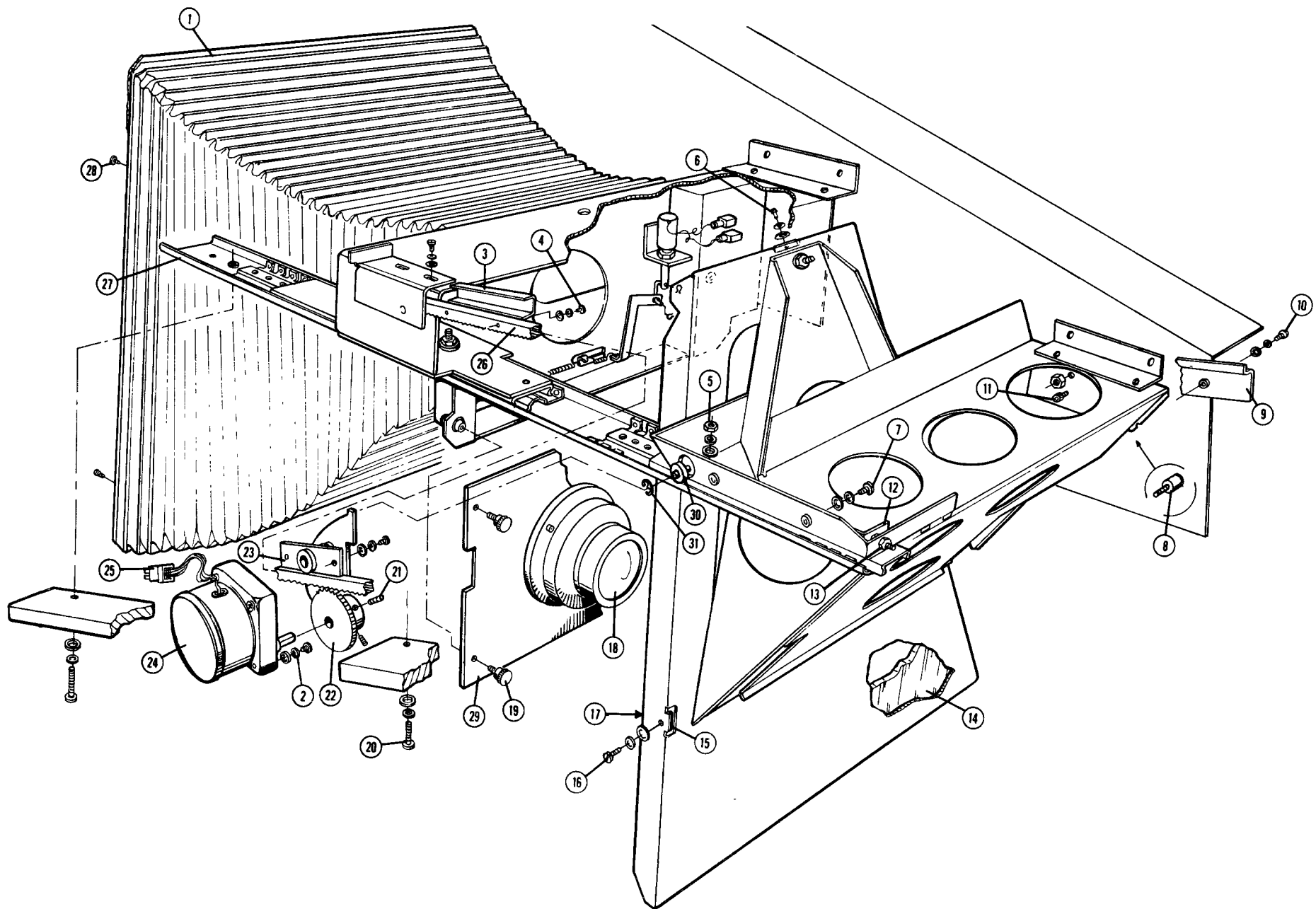
NOTICE: THIS MANUAL CONTAINS CONFIDENTIAL PROPRIETARY AND TRADE INFORMATION OF ITEK GRAPHIX CORP. DUPLICATION OR REPRODUCTION IN WHOLE OR IN PART OF THIS MANUAL OR DISCLOSURE HEREOF TO UNAUTHORIZED PERSONS WITHOUT THE PRIOR WRITTEN CONSENT OF ITEK GRAPHIX CORP. IS PROHIBITED.

LENS CARRIER ASSEMBLY - 20135201

| Ref. | Description | Part No. | Qty. |
|------|------------------------------|----------|------|
| --- | ----- | ----- | --- |
| 1 | Shutter Assembly | 19633301 | 1 |
| 2 | Shutter Plate Weld. Assembly | 20100101 | 1 |
| 3 | Solenoid Assembly | 20135101 | 1 |
| 4 | Cam Follower | 09352900 | 1 |
| | Spacer | 03658700 | 1 |
| | Lock Washer | H0155200 | 1 |
| | Hex Nut | H0144400 | 1 |
| 5 | Hex Nut | H0136100 | 2 |
| 6 | Retaining Ring | H0930700 | 2 |
| 7 | Link | 19862801 | 1 |
| 8 | Cap Screw | H0273200 | 1 |
| 9 | Retaining Ring | H0932900 | 1 |
| 10 | Shutter Link | 19255801 | 1 |
| 11 | Spring Extension, short | 19255401 | 1 |
| 12 | Spring Extension, long | 19255501 | 1 |
| 13 | Machine Screw 4-40 x 1/4" | H0586100 | 4 |
| | Lock Washer | H0155700 | 4 |

NOTICE: THIS MANUAL CONTAINS CONFIDENTIAL PROPRIETARY AND NON-PUBLIC INFORMATION OF ITEK GRAPHIX CORP. DUPLICATION OR REPRODUCTION (IN WHOLE OR IN PART) OF THIS MANUAL OR DISCLOSURE HERE OF TO UNAUTHORIZED PERSONS WITHOUT THE PRIOR WRITTEN CONSENT OF ITEK GRAPHIX CORP IS PROHIBITED

OPTICS ASSEMBLY



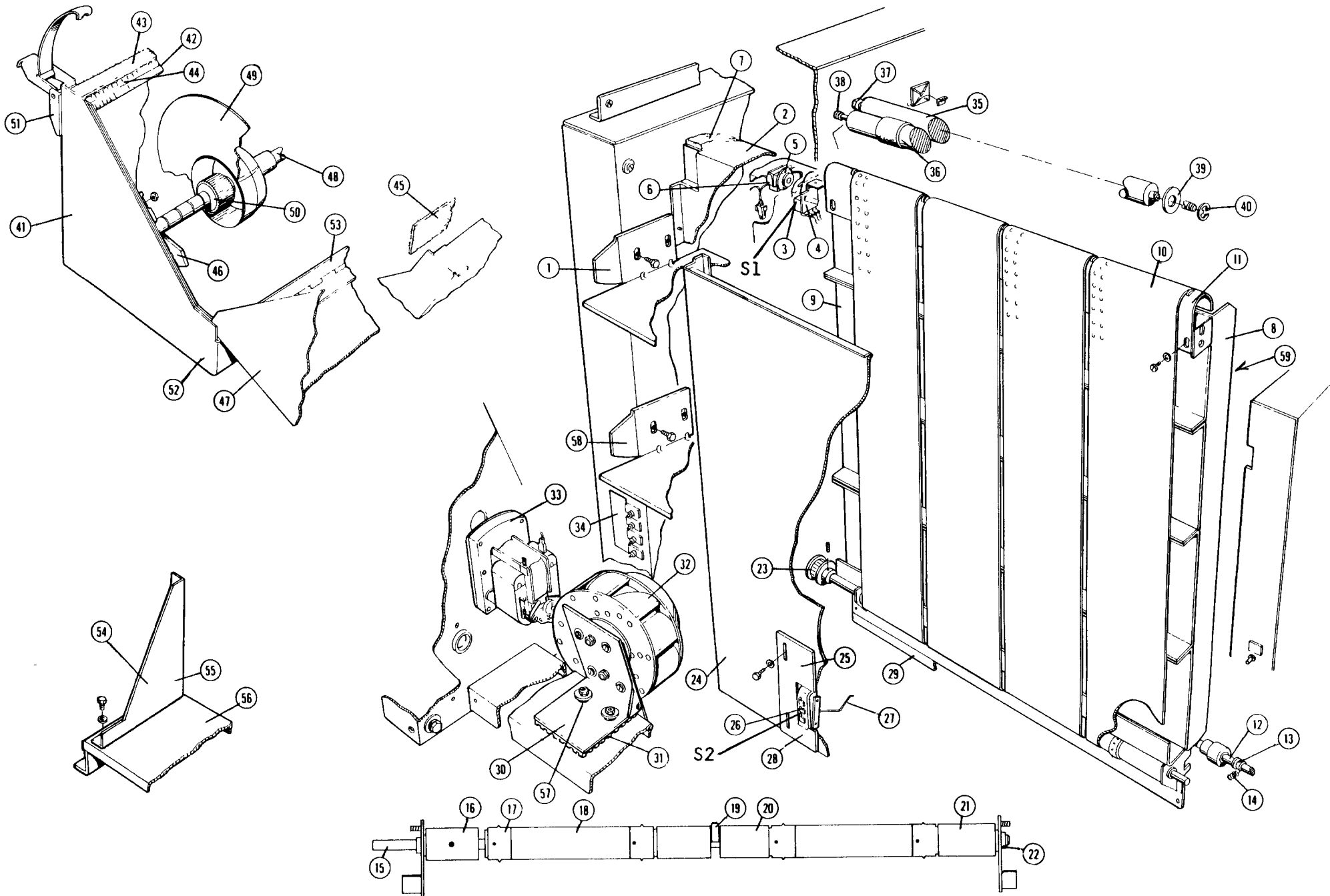
NOTICE: THIS MANUAL CONTAINS CONFIDENTIAL, PROPRIETARY AND NON-PUBLIC INFORMATION OF ITEK GRAPHIX CORP. DUPLICATION OR REPRODUCTION (IN WHOLE OR IN PART) OF THIS MANUAL OR DISCLOSURE HEREOF TO UNAUTHORIZED PERSONS WITHOUT THE PRIOR WRITTEN CONSENT OF ITEK GRAPHIX CORP IS PROHIBITED

OPTICS ASSEMBLY

| Ref. | Description | Part No. | Qty. | Ref. | Description | Part No. | Qty. |
|------|-----------------------------|----------|------|------|-------------------------------|----------|------|
| 1 | Bellows Assembly | 20113002 | 1 | 11 | Cap Screw, 10-32 x 3/8" | H0273200 | 1 |
| 2 | Machine Screw, 8-32 x 3/8" | H0472100 | 4 | 12 | Cam Follower Bracket Assembly | 20192101 | 1 |
| | Flat Washer, #8 | H0156300 | 4 | 13 | Hex Nut, 10-32 | H0144400 | 2 |
| | Lock Washer, #8 | H0155100 | 4 | 14 | Mirror | 20094401 | 1 |
| 3 | Switch Actuator, 100% | 20110001 | 1 | 15 | Tape (cord pad) | PL841900 | A/R |
| 4 | Machine Screw, 8-32 x 1/4" | H0471900 | 2 | 16 | Machine Screw, 8-32 x 1/4" | H0471900 | 3 |
| | Lock Washer, #8 | H0155200 | 2 | | Lock Washer, #8 | H0155100 | 3 |
| | Flat Washer, #8 | H0156300 | 2 | | Flat Washer, #8 | H0156300 | 3 |
| 5 | Hex Nut, 10-32 | H0144400 | 2 | 17 | Mirror Clip Assembly | 20118301 | 3 |
| | Flat Washer, #10 | H0156200 | 2 | 18 | Lens | 20517302 | 1 |
| | Lock Washer, #10 | H0155200 | 2 | 19 | Allen Screw | H0320800 | 3 |
| 6 | Machine Screw, 8-32 x 1/4" | H0471900 | 3 | 20 | Machine Screw, 10-32 x 1" | H0065700 | 3 |
| | Lock Washer, #8 | H0155100 | 3 | | Lock Washer, #10 | H0155200 | 3 |
| | Flat Washer, #8 | H0156300 | 3 | | Flat Washer, #10 | H0156200 | 3 |
| 7 | Machine Screw, 10-32 x 3/8" | H0465400 | 2 | 21 | Set Screw, 10-32 x 3/8" | H0116400 | 2 |
| | Lock Washer, #10 | H0155200 | 2 | 22 | Mirror Cam Assembly | 20110301 | 1 |
| | Flat Washer, #10 | H0190200 | 2 | 23 | Hold Down Assembly | 20109701 | 1 |
| 8 | Cam Follower | 09352900 | 1 | 24 | Stepper Motor Assembly | 20093301 | 1 |
| | Spacer | 03658700 | 1 | 25 | Connector - Plug | 40132905 | 1 |
| | Lock Washer, #10 | H0155200 | 1 | 26 | Gear Rack | 20083101 | 1 |
| | Hex Nut, 10-32 | H0144400 | 1 | 27 | Ball Slide Assembly | 20110101 | 1 |
| 9 | Guide Rail Assembly | 20112102 | 1 | 28 | Machine Screw, 6-32 x 1/4" | H0470100 | 8 |
| 10 | Machine Screw, 10-32 x 3/8" | H0465400 | 3 | NS | Transmissive Sensor | 20065201 | 1 |
| | Lock Washer, #10 | H0155200 | 3 | 29 | Lens Plate | 20384901 | 1 |
| | Flat Washer, #10 | H0156200 | 3 | 30 | Bushing | 09258004 | 1 |
| | | | | 31 | E-Ring | H0927200 | 1 |

NOTICE: THIS MANUAL CONTAINS CONFIDENTIAL, PROPRIETARY AND NON-PUBLIC INFORMATION OF ITEK GRAPHIX CORP. DUPLICATION OR REPRODUCTION (IN WHOLE OR IN PART) OF THIS MANUAL OR DISCLOSURE HEREOF TO UNAUTHORIZED PERSONS WITHOUT THE PRIOR WRITTEN CONSENT OF ITEK GRAPHIX CORP. IS PROHIBITED.

16
FOCAL PLANE



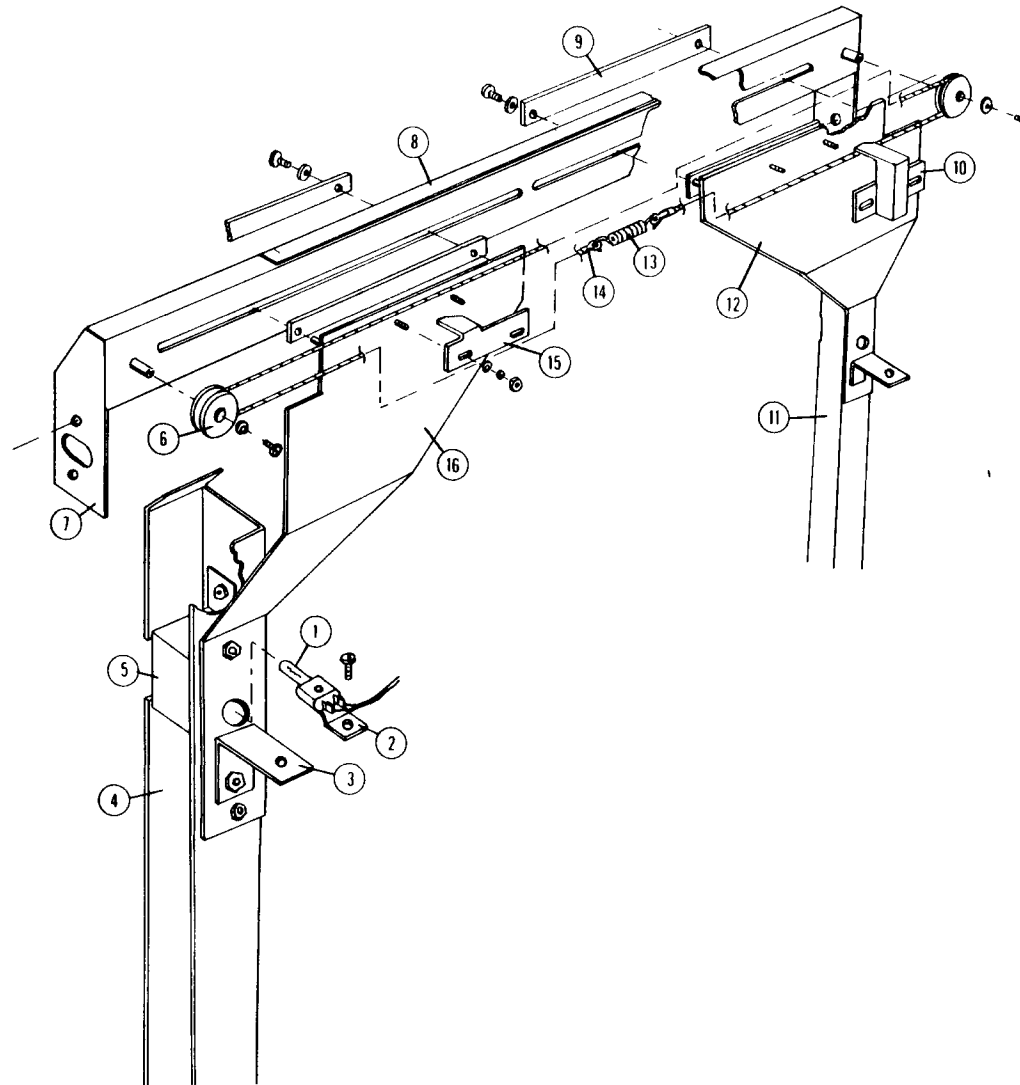
NOTICE: THIS MANUAL CONTAINS CONFIDENTIAL PROPRIETARY AND UNCLASSIFIED PUBLIC INFORMATION OF ITEX GRAPHIX CORP. DUPLICATION OR REPRODUCTION (IN WHOLE OR IN PART) OF THIS MANUAL OR DISCLOSURE HEREOF TO UNAUTHORIZED PERSONS WITHOUT THE PRIOR WRITTEN CONSENT OF ITEX GRAPHIX CORP. IS PROHIBITED.

FOCAL PLANE

| Ref. | Description | Part No. | Qty. | Ref. | Description | Part No. | Qty. |
|------|---|----------|------|------|--|----------|------|
| 1 | Inner Wall | 206822 | 1 | 30 | Blower Mount | 20610401 | 2 |
| | Screw, 10-32 x 3/8 | H0687300 | 8 | 31 | Isolation Pad | 20610301 | 2 |
| 2 | Lower Guide Assembly (Items 3-7 assembled) | 206842 | 1 | | Blower Box | 207302 | 1 |
| 3 | Switch, No Material | 19302201 | 1 | | Cap Screw, 1/4-20 x 3/8 | H0687400 | 2 |
| | Screw, 4-40 x 3/4" | H0584100 | 2 | | Flat Washer, 1/4 | H0156200 | 2 |
| | Flat Washer, #4 | H0156500 | 2 | 32 | Lock Washer, 1/4 | H0155100 | 2 |
| | Lock Washer, #4 | H0155700 | 2 | | Blower | 20093401 | 2 |
| | Nut Plate | 19066001 | 1 | | Metric Screw, 4 x 10 | H0725000 | 4 |
| 4 | Switch Bracket | 206841 | 1 | | Flat Washer, #8 | H0156300 | 4 |
| | Nut, 8-32 | H0904100 | 2 | | Lock Washer, #8 | H0155100 | 4 |
| 5 | Roller | 20297901 | 1 | 33 | Focal Plane Motor | 09096201 | 1 |
| | Set Screw, 6-32 x 1/4" | H0115900 | 1 | 34 | Label - Breakers | 206901 | 1 |
| 6 | Digital Pot. | 206745 | 1 | 35 | Input Roller, Steel | 20311701 | 1 |
| 7 | Foam Tape | 40151337 | A/R | 36 | Input Roller, Rubber Segmented | 20083001 | 1 |
| 8 | Platen Assembly (Items 9-22 assembled) | 20605601 | 1 | 37 | Bearing, Nylon | 01371601 | 2 |
| 9 | Platen only | 20605701 | 1 | 38 | Bearing | 09258021 | 2 |
| 10 | Belt | 20577101 | 4 | 39 | Washer, Nylon | 40152478 | 2 |
| 11 | Upper Belt Guide | 20318601 | 1 | 40 | Retainer | H0933100 | 2 |
| 12 | Platen Exit Roller Assembly | 20319801 | 1 | 41 | Reloadable Box Complete (Items 42-53 assembled) | 206855 | 1 |
| | Roller | 20157901 | 2 | 42 | Lower Seal Angle | 206848 | 1 |
| | Shaft | 20319101 | 1 | | Screw, 8-32 x 3/8 | H0582700 | 4 |
| | Retainer | H0933100 | 2 | | Lock Washer, #8 | H0158400 | 4 |
| 13 | Bearing | 01371601 | 2 | 43 | Light Seal | 207078 | 1 |
| 14 | Spring | 0952400 | 2 | 44 | Scale | 19047402 | 1 |
| 15 | Shaft | 20681701 | 1 | 45 | Light Seal | 206865 | 1 |
| 16 | Roller Segment | 20318701 | 1 | 46 | Bearing Block (shown) | 207074 | 1 |
| | Set Screw, 10-32 x 1/4" | H0691500 | 1 | | Bearing Block (not shown) | 207073 | 1 |
| 17 | Sprocket | 20180901 | 4 | 47 | Nut, 6-32 | H0123800 | 4 |
| | Pin, 3/32 x 7/8 | H0513700 | 4 | | Cassette, Lower Section | 206857 | 1 |
| 18 | Roller Segment | 20203201 | 2 | 48 | Shaft | 206843 | 1 |
| 19 | Center Bearing | 20319901 | 1 | 49 | Spool End | 206844 | 2 |
| | Set Screw, 6-32 x 3/8 | H0077400 | 2 | 50 | Spool End Nut | 19162901 | 2 |
| 20 | Roller Segment | 20318901 | 1 | 51 | Latch | 206847 | 2 |
| 21 | Roller Segment | 20318801 | 1 | | Screw, 6-32 x 1/2 | H0683800 | 4 |
| 22 | Bearing | 09258014 | 2 | 52 | Cassette, Upper Section | 206854 | 1 |
| 23 | Gear | 20247601 | 1 | | Screw, 8-32 x 3/8 | H0582700 | 4 |
| 24 | Vacuum Back Weldment | 20606501 | 1 | | Lock Washer, #8 | H0158400 | 4 |
| 25 | End Sense Switch Assembly (Items 26-28) | 20293101 | 1 | 53 | Hinge Light Seal | 206860 | 1 |
| 26 | Switch | 19285001 | 1 | 54 | Footed Cartridge Adaptor Complete (Items 55-56) | 207050 | 1 |
| 27 | Actuator | 20150001 | 1 | 55 | Side, H.S. | 207052 | 1 |
| | Actuator Sleeving | E0189000 | 1 | | Side, L.S. (shown) | 207064 | 1 |
| 28 | Switch Bracket Only | 20273501 | 1 | 56 | Bottom | 207051 | 1 |
| | Flat Washer, #4 | H0156500 | 2 | | Screw, 10-32 x 3/8 | H0687300 | 4 |
| | Screw, 4-40 x 3/4 | H0584100 | 2 | 57 | Vibration Washer | 19803201 | 4 |
| | Lock Washer, #4 | H0155700 | 2 | 58 | Cassette Bracket, L.S. | 207444 | 1 |
| 29 | Input Guide | 207301 | 1 | | Cassette Bracket, H.S. | 207443 | 1 |
| | | | | 59 | Screw, 10-32 x 3/8 | H0687300 | 4 |
| | | | | | Platen Overlay | 207523 | 1 |

NOTICE: THIS MANUAL CONTAINS CONFIDENTIAL PROPRIETARY AND NON PUBLIC INFORMATION OF ITEK GRAPHIX CORP. DUPLICATION OR REPRODUCTION (IN WHOLE OR IN PART) OF THIS MANUAL OR DISCLOSURE HEREOF TO UNAUTHORIZED PERSONS WITHOUT THE PRIOR WRITTEN CONSENT OF ITEK GRAPHIX CORP IS PROHIBITED

SIDE GUIDE ASSEMBLY - 20608701



NOTICE: THIS MANUAL CONTAINS CONFIDENTIAL PROPRIETARY AND UNCLASSIFIED INFORMATION OF ITEX GRAPHIX CORP. DUPLICATION OR REPRODUCTION OF THIS MANUAL OR DISCLOSURE HEREOF TO UNAUTHORIZED PERSONS WITHOUT THE PRIOR WRITTEN CONSENT OF ITEX GRAPHIX CORP. IS PROHIBITED.

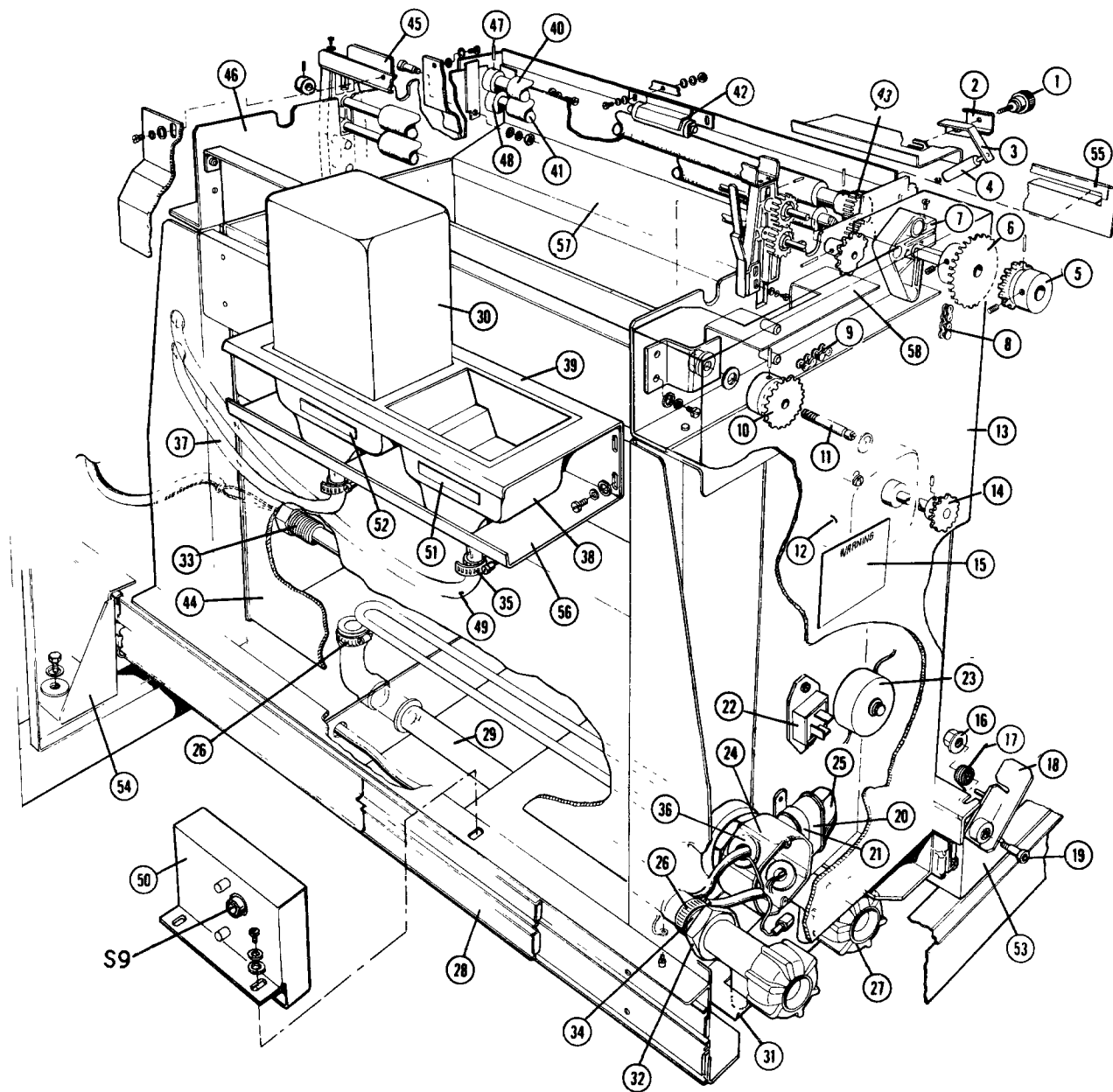
UNCLASSIFIED INFORMATION OF ITEX GRAPHIX CORP. DUPLICATION OR REPRODUCTION OF THIS MANUAL OR DISCLOSURE HEREOF TO UNAUTHORIZED PERSONS WITHOUT THE PRIOR WRITTEN CONSENT OF ITEX GRAPHIX CORP. IS PROHIBITED.

SIDE GUIDE ASSEMBLY - 20608701

| Ref. | Description | Part No. | Qty. | Ref. | Description | Part No. | Qty. |
|------|--|----------|------|------|-------------------------|----------|------|
| 1 | Lamp | 19214301 | 2 | 7 | Pulley Bracket Assembly | 20608801 | 1 |
| 2 | Harness Assembly (includes sockets) | 206746 | 1 | 8 | Scale | 20376301 | 1 |
| | Screw, 4-40 x 5/16 | H0585200 | 2 | 9 | Spacer | 20388701 | 4 |
| | Lock Washer, #4 | H0155700 | 2 | | Screw, 6-32 x 3/8 | H0065400 | 4 |
| 3 | Lamp Mount Angle | 20368801 | 2 | | Lock Washer, #6 | H0155000 | 4 |
| | Nut, 6-32 | H0144100 | 4 | 10 | Flat Washer, #6 | H0156400 | 4 |
| | Lock Washer, #6 | H0155000 | 2 | | Pointer Handle | 20361201 | 1 |
| | Flat Washer, #6 | H0156400 | 2 | | Nut, 6-32 | H0144100 | 2 |
| 4 | Channel Assembly, L.H. | 20609101 | 1 | | Lock Washer, #6 | H0155000 | 2 |
| | Nut, 6-32 | H0144100 | 4 | 11 | Flat Washer, #6 | H0156400 | 2 |
| | Lock Washer, #6 | H0155000 | 4 | 12 | Channel Assembly R.H. | 20609201 | 1 |
| | Flat Washer, #6 | H0156400 | 2 | 13 | Arm, R.H. | 20609001 | 1 |
| 5 | Lamp Cover | 20368900 | 2 | 14 | Spring | 19954401 | 1 |
| | Nut, 6-32 | H0144100 | 4 | 15 | Cable | 20369001 | 1 |
| | Lock Washer, #6 | H0155000 | 4 | | Pointer | 20361101 | 1 |
| | Flat Washer, #6 | H0156400 | 4 | | Nut, 6-32 | H0144100 | 2 |
| | Light Gate Plate | 20429901 | 2 | | Lock Washer, #6 | H0155000 | 2 |
| 6 | Cable Roller | 20297701 | 2 | 16 | Flat Washer, #6 | H0156400 | 2 |
| | Screw, 6-32 x 3/16 | H0470300 | 4 | | Arm, L. H. | 20608901 | 1 |
| | Lock Washer, #6 | H0155000 | 4 | | | | |
| | Flat Washer, #6 | H0156400 | 4 | | | | |

NOTICE: THIS MANUAL CONTAINS CONFIDENTIAL, PROPRIETARY AND NON-PUBLIC INFORMATION OF ITEK GRAPHIX CORP. DUPLICATION OR REPRODUCTION (IN WHOLE OR IN PART) OF THIS MANUAL OR DISCLOSURE HEREOF TO UNAUTHORIZED PERSONS WITHOUT THE PRIOR WRITTEN CONSENT OF ITEK GRAPHIX CORP IS PROHIBITED

PROCESSOR ASSEMBLY - 207054



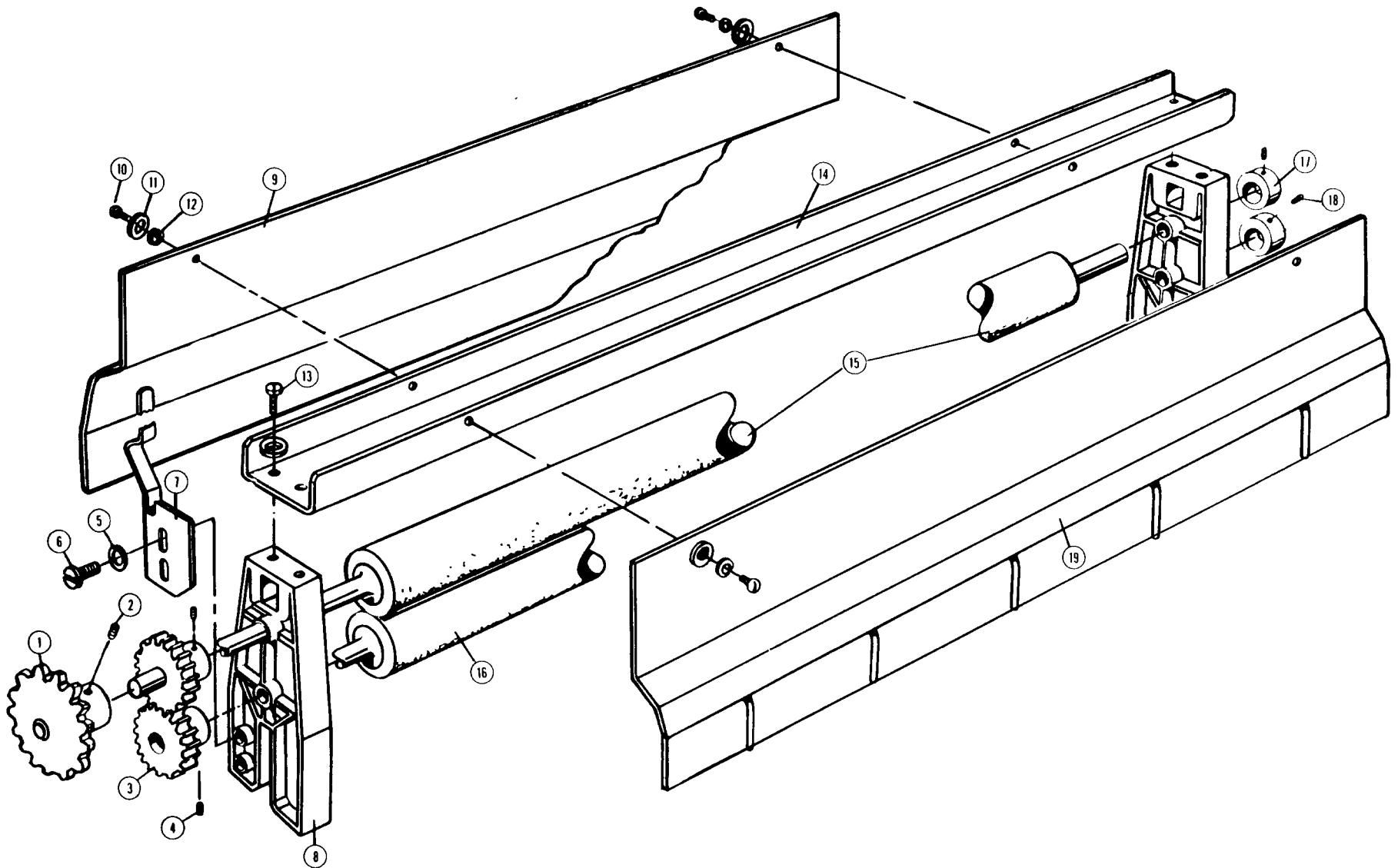
NOTICE: THIS MANUAL CONTAINS CONFIDENTIAL, PROPRIETARY AND NON-PUBLIC INFORMATION OF ITEK GRAPHIX CORP. DUPLICATION OR REPRODUCTION (IN WHOLE OR IN PART) OF THIS MANUAL OR DISCLOSURE HEREOF TO UNAUTHORIZED PERSONS WITHOUT THE PRIOR WRITTEN CONSENT OF ITEK GRAPHIX CORP IS PROHIBITED

PROCESSOR ASSEMBLY - 207054
 (Does not include Item #30)

| Ref. | Description | Part No. | Qty. | Ref. | Description | Part No. | Qty. |
|------|--------------------------------|----------|------|------|--------------------------------|----------|------|
| 1 | Knob | 20050202 | 2 | 30 | Bottle | 06749400 | 2 |
| | Screw, 6-32 x 5/8 | H0276000 | 2 | | Feeder Valve | 19826201 | 2 |
| 2 | Marker | 20169201 | 2 | | Label Dev.(mixing instruction) | 20499501 | 1 |
| 3 | Roller Bracket, L.S. | 20006701 | 1 | | Label Stab. " " | 20499601 | 1 |
| NS | Roller Bracket, H.S. | 20006801 | 1 | 31 | Bracket, Between the Valves | 20170401 | 1 |
| | Retainer | H0932700 | 2 | 32 | Nut | 19138401 | 2 |
| 4 | Roller | 09882100 | 2 | 33 | Temperature Probe | 206784 | |
| 5 | Sprocket | 09700100 | 1 | 34 | Valve Adapter | 09717000 | 2 |
| | Set Screw, 10-32 x 3/8 | H0116400 | 1 | 35 | Hose Clamp | 08327605 | 4 |
| 6 | Sprocket | 09744589 | 1 | 36 | Grommet | E0195600 | 2 |
| | Set Screw, 10-32 x 3/8 | H0116400 | 1 | 37 | Hose, .500" dia. | 20266001 | 1 |
| 7 | Bearing Assembly | 09073501 | 2 | 38 | Funnel | 20526402 | 2 |
| 8 | Chain | 40144690 | 1 | 39 | Funnel Cover | 207510 | 1 |
| 9 | Chain | 09883200 | 1 | 40 | Upper Exit Roller | 09694801 | 1 |
| 10 | Sprocket | 07892000 | 1 | 41 | Lower Exit Roller | 206950 | 1 |
| 11 | Sprocket Stud | 09885400 | 1 | 42 | Pressure Roller Assembly | 05745600 | 1 |
| | Nut, 5/16 x 18 | H0145100 | 1 | 43 | Gear | 09653600 | 2 |
| | Lock Washer, 5/16 | H0155400 | 1 | | Pin, 1/8 x 3/4 | H0508500 | 2 |
| | Washer, 5/16 | H0156600 | 1 | 44 | Tank | 09700002 | 1 |
| | E-Ring | H0933000 | 1 | 45 | Squeegee Roller Assembly | 207053 | 1 |
| 12 | Processor Motor Assembly | 20347001 | 1 | 46 | Top Frame Assembly | 206948 | 1 |
| | Vibration Isolator Pad | 207457 | 1 | NS | Scale | 19047402 | 1 |
| | Washer, Special | 09888600 | 4 | 47 | Set Screw, 8-32 x 3/16 | H0324000 | 2 |
| | Vibration Isolator Pad | 19803201 | 4 | 48 | Collar | 09651700 | 2 |
| | Screw, 10-32 x 1" | H06864 | 4 | 49 | Hose | 20266101 | 1 |
| 13 | Cover Assembly | 206923 | 1 | 50 | Switch Cover Assembly | 20276501 | 1 |
| | Door, Cover Assembly | 207124 | | | Compressions Spring | 20125301 | 2 |
| 14 | Sprocket | 07431700 | 1 | | Limit Control | 19406901 | 1 |
| 15 | Label, Warning (Itek Supplies) | 20484001 | 1 | 51 | Developer Label | 20389401 | 1 |
| | Label, Warning (Liquid level) | 207068 | 1 | 52 | Stabilizer Label | 20389301 | 1 |
| 16 | Nut, 1/4-20 | H0124200 | 1 | 53 | Slide Bracket Assembly, R.H. | 20187101 | 1 |
| 17 | Spring | 20197501 | 1 | 54 | Slide Bracket Assembly, L.H. | 20174201 | 1 |
| 18 | Latch | 20199401 | 1 | 55 | Exit Guide (Dryer model only) | 20464101 | A/R |
| 19 | Screw, 1/4-20 x 1/2 | H0163400 | 1 | | Adapter, L.S. | 207513 | A/R |
| | Washer, 5/16 | H0188700 | 2 | | Adapter, H.S. | 207512 | A/R |
| 20 | Capacitor | 08700135 | 1 | 56 | Funnel Support | 207511 | 1 |
| 21 | Bracket | 09684700 | 1 | 57 | Drip Guard Assembly | 206892 | 1 |
| 22 | Traic Assembly | 20123901 | 1 | 58 | Chain Guide | 07738300 | 1 |
| 23 | Filter Choke Assembly | 20508801 | 1 | | Nut, 10-32 | H0144400 | 2 |
| | Stand-off | 206741 | 1 | | Flat Washer, #10 | H0156000 | 2 |
| 24 | Heater | 01063900 | 1 | NS | Drip Pan (Up to S/N 620) | 20272701 | 1 |
| 25 | Capacitor Cover | 07134200 | 1 | NS | Drip Pan (S/N 621 & Above) | 207317 | 1 |
| 26 | Hose Clamp | 08327605 | 4 | NS | Rebuild Kit | 19440101 | A/R |
| 27 | Valve Assembly | 09716600 | 2 | | | | |
| 28 | Slide L.H. | 20114501 | 1 | | | | |
| NS | Slide R.H. | 20114502 | 1 | | | | |
| 29 | Hose | 20276601 | 2 | | | | |

NOTICE: THIS MANUAL CONTAINS CONFIDENTIAL PROPRIETARY AND NON PUBLIC INFORMATION OF ITEK GRAPHIX CORP. DUPLICATION OR REPRODUCTION (IN WHOLE OR IN PART) OF THIS MANUAL OR DISCLOSURE HEREOF TO UNAUTHORIZED PERSONS WITHOUT THE PRIOR WRITTEN CONSENT OF ITEK GRAPHIX CORP IS PROHIBITED

22
CENTER SQUEEGEE ROLLERS - 207053



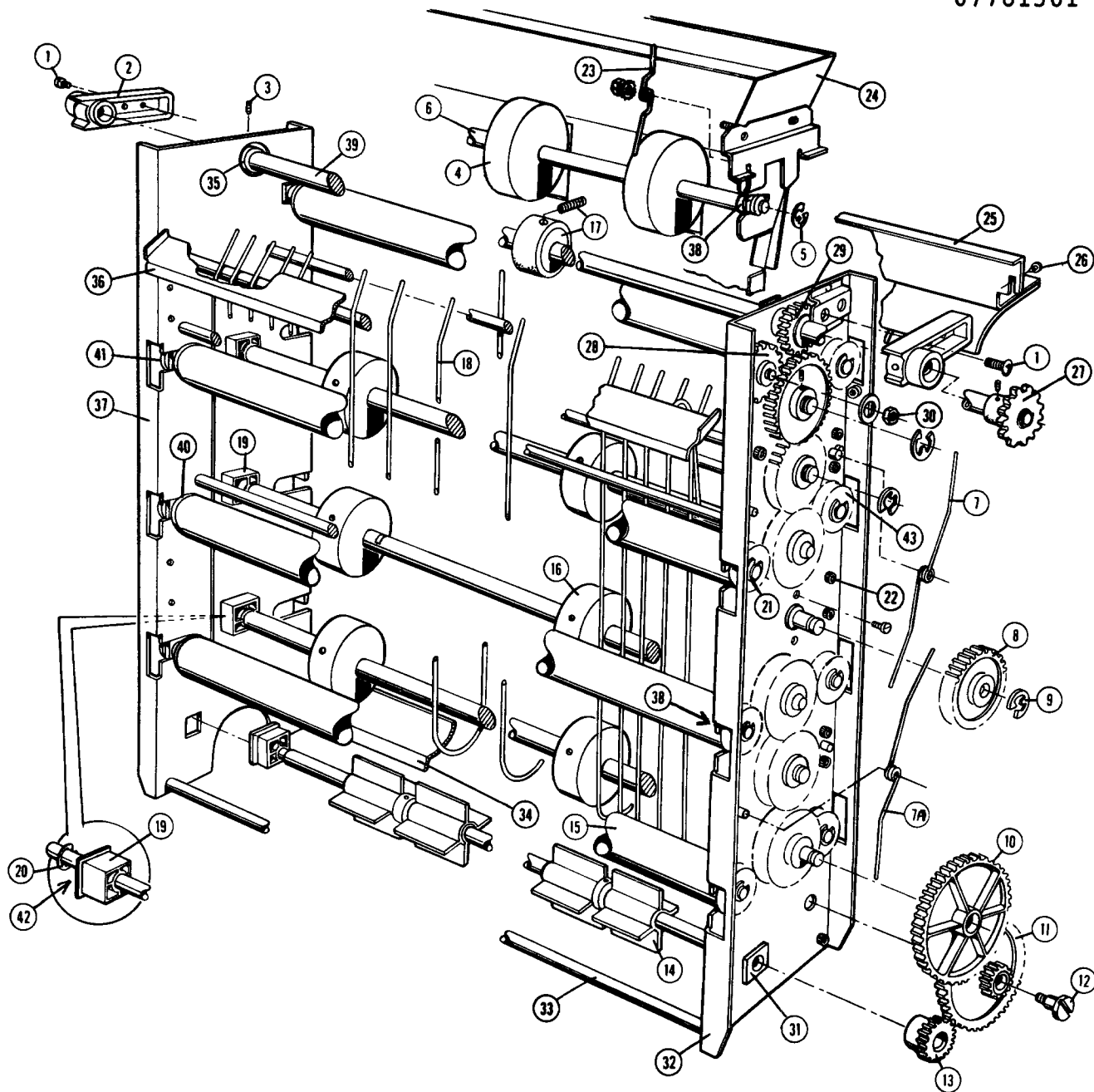
NOTICE: THIS MANUAL CONTAINS CONFIDENTIAL PROPRIETARY INFORMATION WHICH IS THE PROPERTY OF ITEX GRAPHIX CORP. DISCLOSURE OR REPRODUCTION (IN WHOLE OR IN PART) OF THIS MANUAL OR DISCLOSURE HEREOF TO ANY UNAUTHORIZED PERSONS WITHOUT THE PRIOR WRITTEN CONSENT OF ITEX GRAPHIX CORP. IS PROHIBITED.

CENTER SQUEEGEE ROLLERS - 207053

| Ref. | Description | Part No. | Qty. |
|------|------------------------|----------|------|
| 1 | Sprocket | 09185400 | 1 |
| 2 | Pin, 1/8 x 5/8 | H0045000 | 1 |
| 3 | Gear | 09185200 | 2 |
| 4 | Pin, 1/16 x 5/8 | H0513800 | 2 |
| 5 | Washer, #6 | H0156400 | 4 |
| 6 | Screw, #6 x 1/2 | H0262800 | 6 |
| 7 | Clip Assembly | 07788200 | 1 |
| 8 | Bearing | 09185100 | 2 |
| 9 | Entrance Guide | 20438201 | 1 |
| 10 | Screw, 6-32 x 1/4 | H0470400 | 4 |
| 11 | Washer, #6 | H0156400 | 4 |
| 12 | Lock Washer, #6 | H0155000 | 4 |
| 13 | Screw, #6 x 1/2 | H0262800 | 4 |
| 14 | Channel | 207069 | 1 |
| 15 | Roller | 09653102 | 1 |
| 16 | Roller | 09653103 | 1 |
| 17 | Collar | 09185000 | 2 |
| 18 | Set Screw, 6-32 x 3/16 | H0116000 | 2 |
| 19 | Exit Guide | 20438101 | 1 |

ROLLER FRAMES

07761409 - First Frame
 07761501 - Second Frame



NOTICE: THIS MANUAL CONTAINS CONFIDENTIAL, PROPRIETARY AND NON-PUBLIC INFORMATION OF ITEK GRAPHIX CORP. DUPLICATION OR REPRODUCTION (IN WHOLE OR IN PART) OF THIS MANUAL OR DISCLOSURE HEREOF TO UNAUTHORIZED PERSONS WITHOUT THE PRIOR WRITTEN CONSENT OF ITEK GRAPHIX CORP IS PROHIBITED

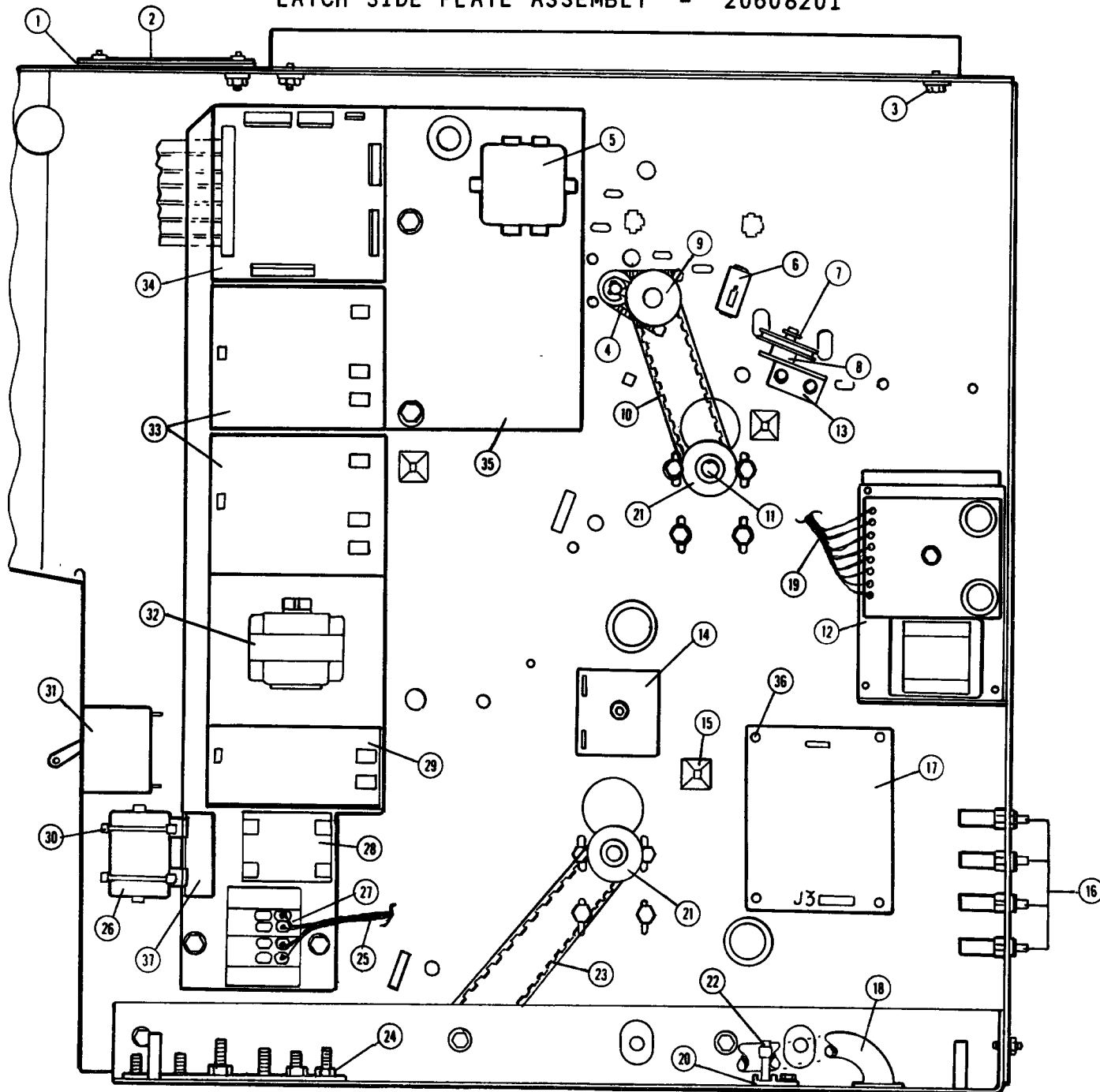
ROLLER FRAMES

07761409 - First Frame
07761501 - Second Frame

| Ref. | Description | Part No. | Qty. | Ref. | Description | Part No. | Qty. |
|------|--------------------------|----------|------|------|--------------------------------------|----------|------|
| 1 | Screw, 10-32 x 3/8 | H0465400 | 4 | *25 | Rear Transfer Assembly | 07758901 | 1 |
| 2 | Bearing | 07434001 | 2 | *26 | Screw, 6-32 x 3/16 | H0470300 | 2 |
| | Nyliner | 09768100 | 2 | 27 | Sprocket | 07472208 | 2 |
| 3 | Set Screw, 6-32 x 1/8 | H0116200 | 2 | 28 | Gear | 07423600 | 2 |
| 4 | Rollers & Shaft Assembly | 20542801 | 1 | | Bushing | 07423500 | 2 |
| | Roller | 20170801 | 4 | | Washer, 7/8 | 40152484 | 2 |
| 5 | Retaining Ring | H0932800 | 2 | 29 | Gear, Nylon, 16T | 07425700 | 2 |
| 6 | Shaft | 09085401 | 1 | | Gear, Metal, 16T | 09272900 | A/R |
| 7 | Spring (heavy duty) | 06884301 | 4 | 30 | Nut, 10-32 | H0144400 | 2 |
| 7a | Spring (light duty) | 06884300 | 4 | 31 | Bearing | 07446600 | 2 |
| 8 | Gear 30 T | 07426000 | 4 | 32 | Side Frame (gear side) | 07761000 | 1 |
| 9 | E-Ring | H0933000 | 7 | *32 | Side Frame (gear side) | 07761200 | 1 |
| 10 | Gear, Combination | 07447200 | 2 | 33 | Tie Rod | 09654301 | 2 |
| 11 | Gear, Idler | 07447300 | 2 | 34 | Turn Guide | 19683201 | 2 |
| 12 | Stud | 09701100 | 2 | 35 | Collar | 07425200 | 2 |
| 13 | Gear, Paddle | 07446800 | 2 | *36 | Guide | 07761601 | 1 |
| 14 | Paddle Wheel Assembly | 19012101 | 4 | 37 | Side Frame (non-gear side) | 07760900 | 1 |
| | Paddle Wheel | 20209801 | 4 | *37 | Side Frame (non-gear side) | 07761100 | 1 |
| 15 | Tension Roller Assembly | 05842702 | 7 | 38 | Bearing | 09787800 | 2 |
| 16 | Roller Drive Assembly | 20557201 | 3 | 39 | Drive Shaft | 20375301 | 2 |
| | Roller Only | 19669601 | 12 | 40 | End Plug (non-gear side) | 07435800 | 7 |
| 17 | Rubber Roller | 20170701 | 4 | NS | End Plug (gear side) | 07435900 | 7 |
| | Set Screw, 10-32 x 3/16 | H0691200 | 4 | 41 | Retaining Ring | H0930200 | A/R |
| 18 | Inner Guide | 07740001 | 2 | 42 | Flat Washer, 3/8 (bottom shaft only) | H0156800 | 2 |
| 19 | Bearing | 09699500 | 7 | | | | |
| 20 | Retaining Ring | H0933000 | 7 | 43 | Gear, 16T | 07425000 | 14 |
| 21 | Retaining Ring | H0932800 | 7 | NS | Rebuild Kit | 19440101 | A/R |
| 22 | Screw, 6-32 x 1/4 | H0318200 | 17 | | | | |
| 23 | Spring | 09085101 | 2 | | | | |
| 24 | Paper Chute | 20184601 | 1 | | | | |

*Used on Second Frame Only

LATCH SIDE PLATE ASSEMBLY - 20608201



NOTICE: THIS MANUAL CONTAINS CONFIDENTIAL, PROPRIETARY AND NON-PUBLIC INFORMATION OF ITEK GRAPHIX CORP. DUPLICATION OR REPRODUCTION (IN WHOLE OR IN PART) OF THIS MANUAL OR DISCLOSURE HEREOF TO UNAUTHORIZED PERSONS WITHOUT THE PRIOR WRITTEN CONSENT OF ITEK GRAPHIX CORP IS PROHIBITED.

LATCH SIDE PLATE ASSEMBLY - 20608201

| Ref. | Description | Part No. | Qty. | Ref. | Description | Part No. | Qty. |
|------|-----------------------|----------|------|------|---------------------------|----------|------|
| 1 | Spacer | 20046901 | 1 | 20 | Tie Base | 20213201 | A/R |
| 2 | Retaining Plate | 20611801 | 1 | 21 | Pulley | 20096101 | 2 |
| | Lock Washer, #10 | H0155100 | 2 | | Pin, 3/32 x 5/8 | H0507700 | 2 |
| | Flat Washer, #10 | H0156000 | 2 | 22 | Wire Tie | E0230800 | A/R |
| | Screw, 10-32 x 5/8 | H0483100 | 2 | 23 | Belt | 20681801 | 1 |
| 3 | Screw, 10-32 x 3/8 | H0687300 | 2 | 24 | Nut, 10-32 | H0904200 | 4 |
| 4 | Spring | 09572400 | 2 | 25 | AC Harness | 206124 | 1 |
| 5 | RFI Filter | 40123950 | 1 | 26 | Choke Assembly | 20099701 | 1 |
| | Nut, 8-32 | H0123200 | 2 | 27 | Terminal Block | 19792402 | 1 |
| | Flat Washer, #8 | H0156300 | 2 | | Flat Washer, #6 | H0156400 | 2 |
| | Lock Washer, #8 | H0158400 | 2 | | Nut, 6-32 | H0904000 | 2 |
| 6 | Switch | 20128501 | 2 | 28 | Lamp Relay | 19704101 | 1 |
| 7 | Retainer | H0928600 | 1 | | Flat Washer, #6 | H0156400 | 2 |
| 8 | Pulley | 19883701 | 1 | | Nut, 6-32 | H0904000 | 2 |
| 9 | Pulley | 19349801 | 2 | 29 | Shutter PCB | 20113101 | 1 |
| | Set Screw, 8-32 x 1/4 | H0113400 | 2 | 30 | Wire Tie | E0230800 | A/R |
| 10 | Belt | 20095901 | 1 | 31 | Circuit Breaker | 09346500 | 1 |
| 11 | Motor | 09096201 | 2 | | Nut, 8-32 | H0144200 | 2 |
| | Screw, 8-32 x 3/8 | H0684300 | 8 | | Flat Washer, #8 | H0156300 | 2 |
| | Flat Washer, #8 | H0156300 | 8 | | Lock Washer, #8 | H0155100 | 2 |
| 12 | Power Supply | 206743 | 1 | 32 | Transformer, Fogger | 20246901 | 1 |
| | Screw, 8-32 x 1/2 | H0684400 | 2 | | Nut, 6-32 | H0904000 | 4 |
| 13 | Bracket, Pulley | 20297201 | 1 | | Flat Washer, #6 | H0156400 | 4 |
| | Screw, 10-32 x 3/8 | H0687300 | 2 | 33 | Triac PCB | 19960709 | 2 |
| 14 | Time Delay Relay | 20472002 | 1 | 34 | Interconnect PCB | 20600701 | 1 |
| | Nut, 10-32 | H0904200 | 1 | 35 | Electrical Panel Complete | 20608101 | 1 |
| 15 | Tie Base | 19480101 | A/R | | Screw, 8-32 x 3/8 | H0687200 | 6 |
| 16 | Circuit Breaker | 40121703 | 4 | 36 | Standoff | 20303501 | 16 |
| | Retaining Clip | 20426301 | 4 | 37 | Choke Bracket | 20220802 | 1 |
| 17 | Temperature PCB | 20616901 | 1 | | Screw, 8-32 x 5/16 | H0586000 | 2 |
| 18 | Power Cable | 05853113 | 1 | | Nut, 6-32 | H0904000 | 2 |
| 19 | DC Harness | 20604001 | 1 | | Lock Washer, #8 | H0154600 | 2 |
| | | | | 38 | Capacitor Assembly | 207026 | 1 |

NOTICE: THIS MANUAL CONTAINS CONFIDENTIAL PROPRIETARY AND NON-PUBLIC INFORMATION OF ITEK GRAPHIX CORP. DUPLICATION OR REPRODUCTION (IN WHOLE OR IN PART) OF THIS MANUAL OR DISCLOSURE HEREOF TO UNAUTHORIZED PERSONS WITHOUT THE PRIOR WRITTEN CONSENT OF ITEK GRAPHIX CORP IS PROHIBITED

ACCESSORIES

NOTICE: THIS MANUAL CONTAINS CONFIDENTIAL, PROPRIETARY AND NON-PUBLIC INFORMATION OF ITEK GRAPHIX CORP. DUPLICATION OR REPRODUCTION (IN WHOLE OR IN PART) OF THIS MANUAL OR DISCLOSURE HEREOF TO UNAUTHORIZED PERSONS WITHOUT THE PRIOR WRITTEN CONSENT OF ITEK GRAPHIX CORP IS PROHIBITED

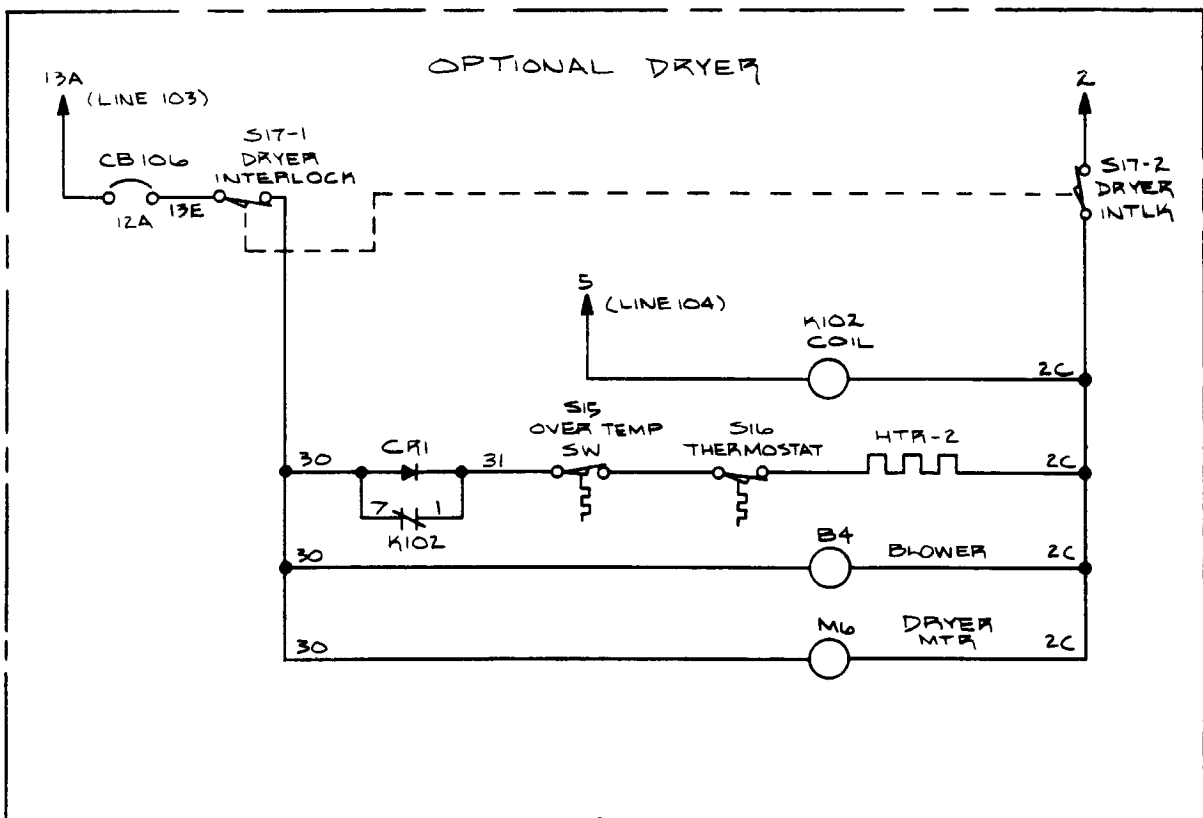
NOTICE: THIS MANUAL CONTAINS CONFIDENTIAL PROPRIETARY AND NON-PUBLIC INFORMATION OF ITEK GRAPHIX CORP. DUPLICATION OR REPRODUCTION (IN WHOLE OR IN PART) OF THIS MANUAL OR DISCLOSURE HEREOF TO UNAUTHORIZED PERSONS WITHOUT THE PRIOR WRITTEN CONSENT OF ITEK GRAPHIX CORP IS PROHIBITED

DRYER INSTALLATION

- 1) Disconnect machine power from the wall. Remove the magazine latch side cover providing access to the electrical components. Reference Page 5, Item 2 of Parts Section.
- 2) Remove the rear access cover containing the print catcher, remove the serial decals and set the cover aside as it will no longer be utilized after the dryer is installed. Reference Page 3, Item 17 of Parts Section.
- 3) Install the plastic grommet provided in the kit into the 3/4" hole. Reference Page 35, Item 19 of this Section.
- 4) Run the cable with the three wires and terminals up through the 3/4" "grommeted" hole and wire tie the heavy black wire and white wire to the main power cable going to the "on-off" breaker. Leave the smaller black wire free of the wire ties.
- 5) Install the dryer circuit breaker box and magnetic catch assembly on to the studs protruding from the main frame that normally secures the rear panel, and secure with the hardware removed in Step #2. Reference Page 35 of this Section.
- 6) Install the "L" shaped support around the upper portion of the rear leg and on to the assembly installed in Step #6 and secure with nut and washer provided. Reference Page 33, Item 6 of this Section.
- 7) Insert the black and white wires from the cable assembly into the terminal block. Place the black wire into the block marked AC13 and place the white wire into the block marked ACN2. Reference Page 27, Item 27 of the Parts Section.
- 8) Remove the black wire (marked #4) from the lamp circuit breaker. Install the remaining black wire from the dryer cable on to the circuit breaker. Then reinstall the black wire on to the double connector of the dryer wire. Reference Page 27, Item 16 of the Parts Section.
- 9) Remove the "cupping roller" assembly from the processor. Reference Page 21, Items 1-4 of the Parts Section. Install the two adapters that the new exit guide (Page 21, Item 55) attaches to. These adapters fit under the screw that attached the drip guard assembly (Page 21, Item 57) to the top frame assembly (Page 21, Item 46). Then install the exit guide (Page 21, Item 55) onto the adapters.

- 10) Wire tie the cable coming from the dryer circuit breaker box to the main power cable running down along the machine latch side rear leg.
- 11) Install the print catcher and upper guide to the dryer assembly with the hardware provided. Reference Page 35, Item 1, 2, 3, & 7 of this Section.
- 12) Set the complete dryer assembly on to the lower pins of the machine bottom frame and secure the restraint cables with the hardware provided. Reference Page 37, Item 8 and Page 35, Item 16 of this Section. Plug in the electrical cables.
- 13) Reinstall the remaining covers and check the unit for proper operation. Recommended dryer temperature is 150 degrees F.

Time required: 1 hour

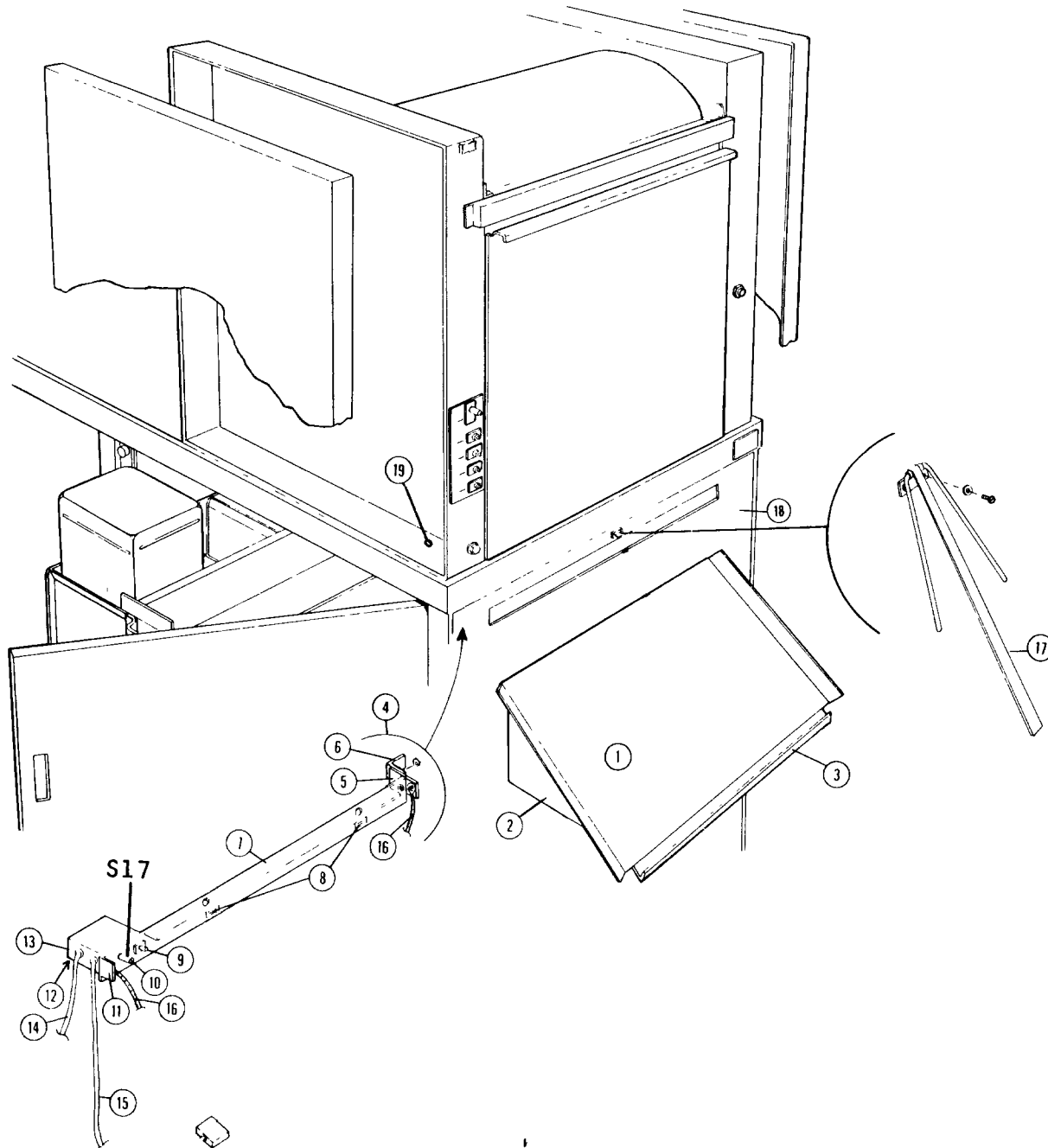


NOTICE: THIS MANUAL CONTAINS CONFIDENTIAL PROPRIETARY AND NON-PUBLIC INFORMATION OF ITEK GRAPHIX CORP. DUPLICATION OR REPRODUCTION (IN WHOLE OR IN PART) OF THIS MANUAL OR DISCLOSURE HEREOF TO UNAUTHORIZED PERSONS WITHOUT THE PRIOR WRITTEN CONSENT OF ITEK GRAPHIX CORP IS PROHIBITED

ACCESSORIES

PARTS

NOTICE: THIS MANUAL CONTAINS CONFIDENTIAL PROPRIETARY AND NON-PUBLIC INFORMATION OF ITEK GRAPHIX CORP. DUPLICATION OR REPRODUCTION (IN WHOLE OR IN PART) OF THIS MANUAL OR DISCLOSURE HEREOF TO UNAUTHORIZED PERSONS WITHOUT THE PRIOR WRITTEN CONSENT OF ITEK GRAPHIX CORP IS PROHIBITED.



NOTICE: THIS MANUAL CONTAINS CONFIDENTIAL AND PROPRIETARY INFORMATION OF ITEK GRAPHIX CORP. DUPLICATION OR REPRODUCTION OF THIS MANUAL OR ANY PART OF THIS MANUAL OR ANY INFORMATION HEREIN IS PROHIBITED.

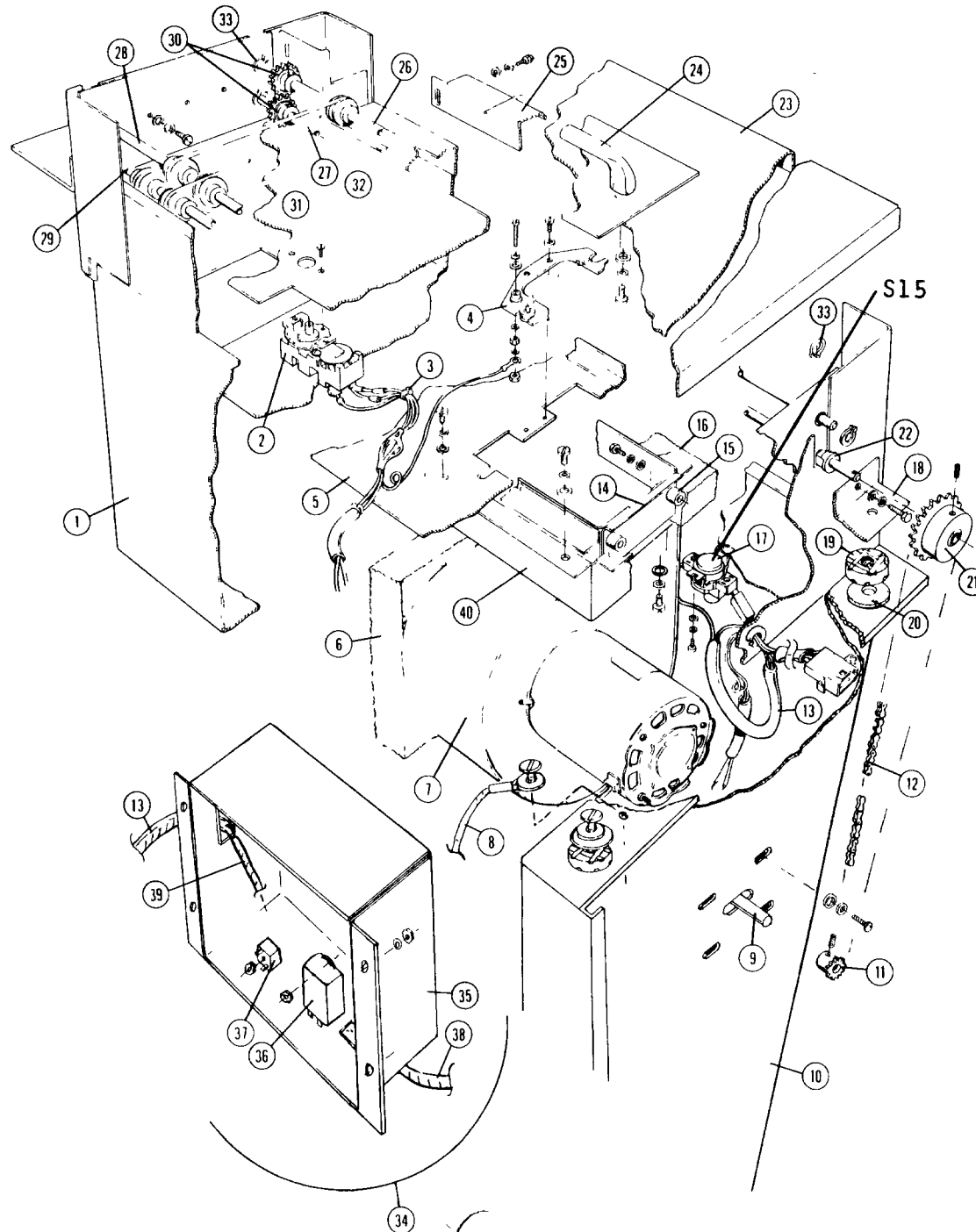
ALL INFORMATION CONTAINED HEREIN IS PROPRIETARY AND NON PUBLIC INFORMATION OF ITEK GRAPHIX CORP. DUPLICATION OR REPRODUCTION OF THIS MANUAL OR ANY PART OF THIS MANUAL OR ANY INFORMATION HEREIN IS PROHIBITED.

| Ref. | Description | Part No. | Qty. | Ref. | Description | Part No. | Qty. |
|------|--------------------------------|----------|------|------|-------------------------------|----------|------|
| 1 | Plate Stacker Complete | 20472801 | 1 | 14 | Cable to Magazine | 20491701 | 1 |
| 2 | Mount Bracket Weldment | 20472601 | 1 | 15 | Cable to Dryer Relay Box | 20489501 | 1 |
| 3 | Stacker Slide | 20484101 | 1 | 16 | Dryer Restraint Cable | 20313601 | 2 |
| | Screw, 10-32 x 5/16 | H0030500 | 2 | | Flat Washer, #8 | H0156300 | 2 |
| | Nut, 10-32 | H0122200 | 2 | | Lock Washer, #8 | H0155100 | 2 |
| | Nut, Nylon, 10-32 | H0140000 | 2 | | Nut, 8-32 | H0144200 | 2 |
| | Set Screw, 10-32 x 5/8 | H0111200 | 2 | 17 | Stacker Guide Assembly | 19112601 | 1 |
| 4 | Striker Bracket Assy. Complete | 20485501 | 1 | | Screw, 6-32 x 3/8 | H0065400 | 2 |
| 5 | Bracket | 20483101 | 1 | | Lock Washer, #6 | H0155000 | 2 |
| | Flat Washer, #8 | H0156300 | 1 | | Flat Washer, #6 | H0156400 | 2 |
| | Lock Washer, #8 | H0155100 | 1 | 18 | Rear Panel Only | 206930 | 1 |
| | Nut, 8-32 | H0144200 | 1 | | Support Arm, L.S. | 20464301 | 1 |
| 7 | Striker Bracket Only | 20466401 | 1 | | Support Arm, H.S. | 20464201 | 1 |
| 8 | Magent Catch | 08974201 | 2 | | Support Arm Bottom Bracket LS | 20529701 | 1 |
| 9 | Circuit Breaker | 40121705 | 1 | | Support Arm Bottom Bracket HS | 20529601 | 1 |
| 10 | Switch | 20355401 | 1 | | Flat Washer, 1/4 | H0156200 | 10 |
| 11 | Bracket | 20483201 | 1 | | Lock Washer, 1/4 | H0155300 | 10 |
| | Flat Washer, #8 | H0156300 | 2 | 19 | Nut, 14/20 | H0144300 | 10 |
| | Lock Washer, #8 | H0155100 | 2 | | Grommet | 09204701 | 1 |
| | Nut, 8-32 | H0144200 | 2 | | | | |
| 12 | Cover | 20471901 | 1 | | | | |
| | Screw, 6-32 x 1/4 | H0470400 | 2 | | | | |
| | Lock Washer, #6 | H0155000 | 2 | | | | |
| | Flat Washer, #6 | H0156400 | 2 | | | | |
| 13 | Switch Box | 20471606 | 1 | | | | |
| | Nut, 8-32 | H0904100 | 2 | | | | |
| | Grommet | 09204700 | 2 | | | | |

Item #18 measures 26-1/8" W x 28" H

DRYER ASSEMBLY COMPLETE - 207138

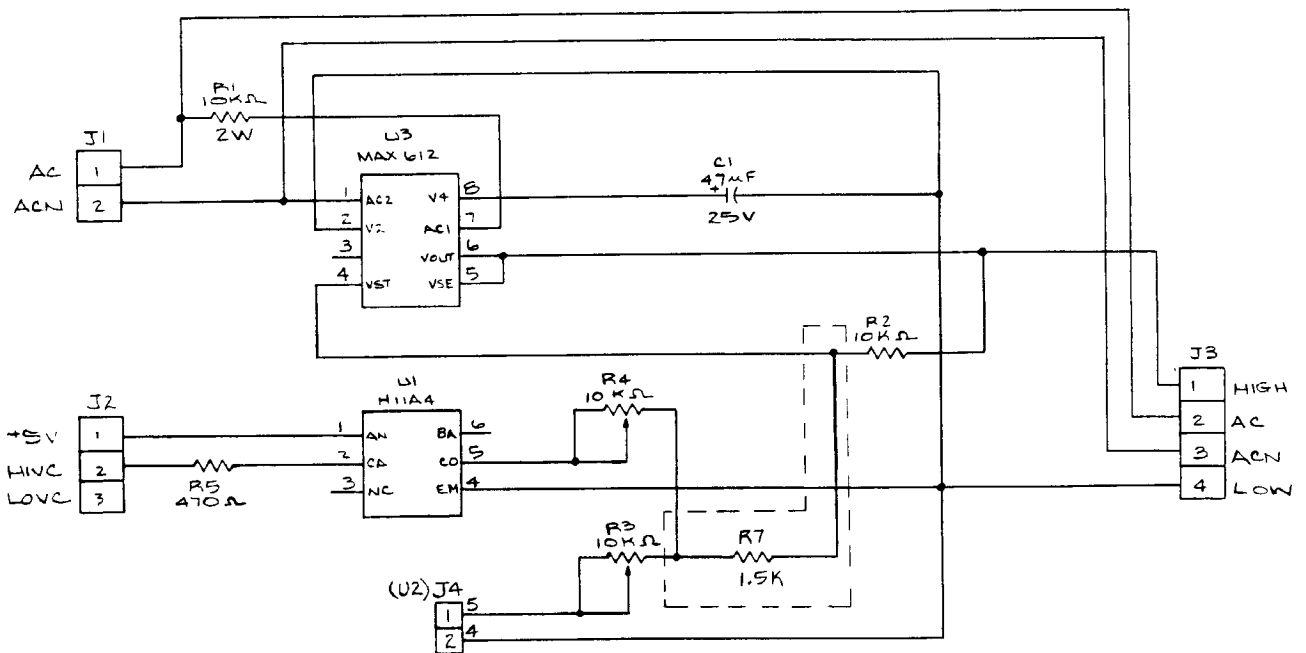
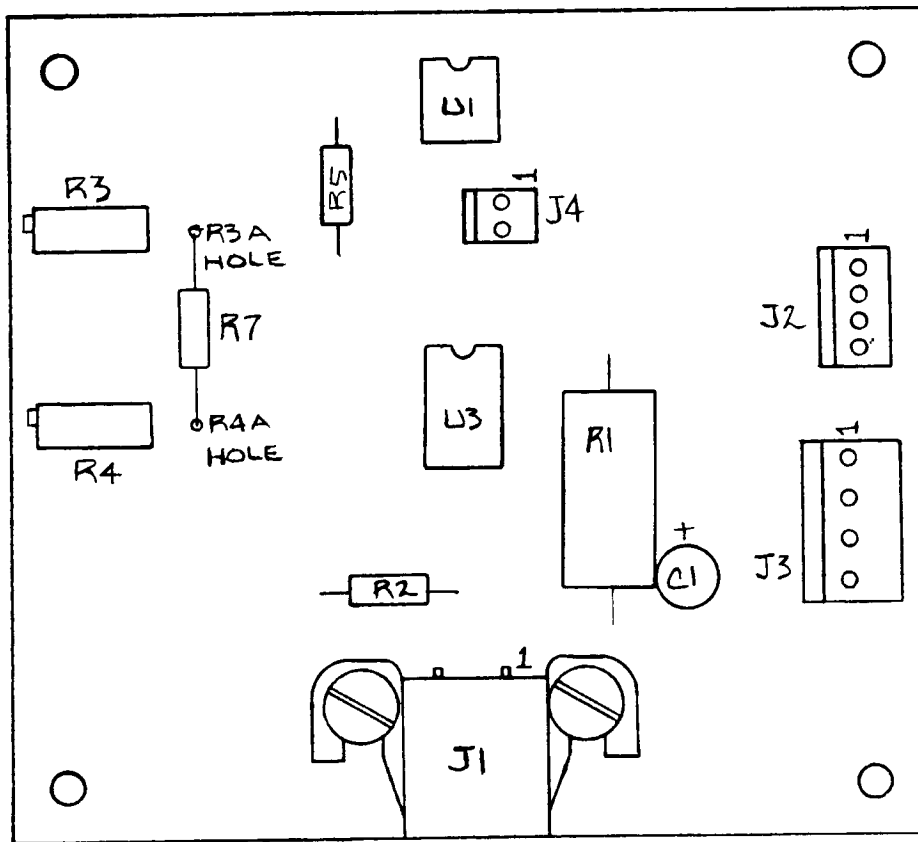
For 615S S/N 2876 & Above
 For 616S S/N 621 & Above



| Ref. | Description | Part No. | Qty. | Ref. | Description | Part No. | Qty. |
|------|-----------------------------|----------|------|------|--------------------------------|----------|------|
| 1 | Dryer Bottom & Shell | 20466601 | 1 | 21 | Sprocket, 30T | 40150810 | 1 |
| 2 | Temperature Control | 19634901 | 1 | | Pin, 3/32 x 1-3/8 | H0509400 | 1 |
| | Screw, 6 x 1/4 | H0263400 | 2 | 22 | Bearing | 09787800 | 2 |
| 3 | Wire Tie | E0230700 | A/R | 23 | Cover | 20461701 | 1 |
| | Screw, 6-32 x 5/16 | H0470200 | 2 | 24 | Handle | 19531401 | 1 |
| | Screw, 6-32 x 3/4 | H0003900 | 2 | | Heat Shield | 19653201 | 1 |
| | Lock Washer, #6 | H0155000 | 4 | | Screw, 10-32 x 3/8 | 40465400 | 2 |
| | Flat Washer, #6 | H0156400 | 4 | | Lock Washer, #10 | H0155200 | 2 |
| 5 | Baffle Weldment | 20465801 | 1 | | Flat Washer, #10 | H0156000 | 2 |
| 6 | Inlet Seal | 20487701 | 1 | 25 | Guide | 20457501 | 2 |
| 7 | Blower | 19547401 | 1 | | Nut, 8-32 | H0144200 | 4 |
| | Hex Head Screw, 8-32 x 5/16 | H0482700 | 4 | | Lock Washer, #8 | H0155100 | 4 |
| | Washer, #8 | H0156300 | 4 | | Flat Washer, #8 | H0156300 | 4 |
| | Lock Washer, #8 | H0156300 | 4 | 26 | Pulley & Shaft Assembly | 20458101 | 1 |
| 8 | Cable Restraint | 20313601 | 2 | | Shaft Only | 20457901 | 1 |
| | Screw, 10-32 x 1/2 | H0465200 | 2 | 27 | Pulley & Shaft Assembly | 20457701 | 1 |
| 9 | Motor | 206879 | 1 | | Shaft Only | 20457601 | 1 |
| | Screw, 8-32 x 1/2 | H0684400 | 4 | 28 | Pulley & Shaft Assembly | 20458001 | 1 |
| | Lock Washer, #8 | H0155100 | 4 | | Shaft Only | 20457901 | 1 |
| | Flat Washer, #8 | H0156300 | 4 | 29 | Pulley & Shaft Assembly | 20461501 | 1 |
| 10 | Support Arm Weld. (shown) | 207515 | 1 | | Shaft Only | 20457901 | 1 |
| | Support Arm Weld. (n/s) | 206880 | 1 | 30 | Gear | 19860201 | 2 |
| 11 | Sprocket, 15T | 40150810 | 1 | | Pin, 3/32 x 5/8 | H0507500 | 2 |
| | Roll Pin, 3/32 x 1/4 | H0232800 | 1 | 31 | Belt (O-Ring) | 19511301 | 18 |
| 12 | Chain, 1/4 pitch | 40144692 | 1 | 32 | Pulley | 19511401 | 36 |
| | Connecting Link, 1/4 pitch | 07294000 | 1 | | Tolerance Ring | 40149216 | 36 |
| 13 | Wire Harness | 20490001 | 1 | 33 | Retaining Ring | H0927800 | 1 |
| 14 | Blower Bracket Assembly | 19652501 | 1 | 34 | Relay Box Complete | 20471801 | 1 |
| 15 | Shock Mount | 09773400 | 4 | 35 | Relay Box | 20471701 | 1 |
| 16 | Seal | 19530401 | 1 | 36 | Relay | 20444301 | 1 |
| 17 | Limit Control | 19635001 | 1 | | Nut, 8-32 | H0904100 | 1 |
| | Screw, 6-32 x 5/16 | H0470200 | 2 | 37 | Rectifier | 40127503 | 1 |
| | Washer, #6 | H0156400 | 2 | | Nut, 8-32 | H0904100 | 1 |
| 18 | Dryer Bracket | 207514 | 2 | 38 | Cable (striker & switch assy) | 20489501 | 1 |
| 19 | Vibration Isolator | 19803201 | 8 | 39 | Harness, Relay Box | 20491801 | 1 |
| 20 | Washer | 19348601 | 4 | | Screw, 8-32 x 5/8 | H0586000 | 4 |
| | Washer | 09888600 | 4 | 40 | Bracket Assembly | 09646501 | 1 |
| | Screw, 10-32, 1-1/4 | H0473000 | 4 | | Screw, 8-32 x 5/8 | H0586000 | 4 |
| | | | | | Washer, #8 | H0156300 | 4 |
| | | | | | Lock Washer, #8 | H0155100 | 4 |

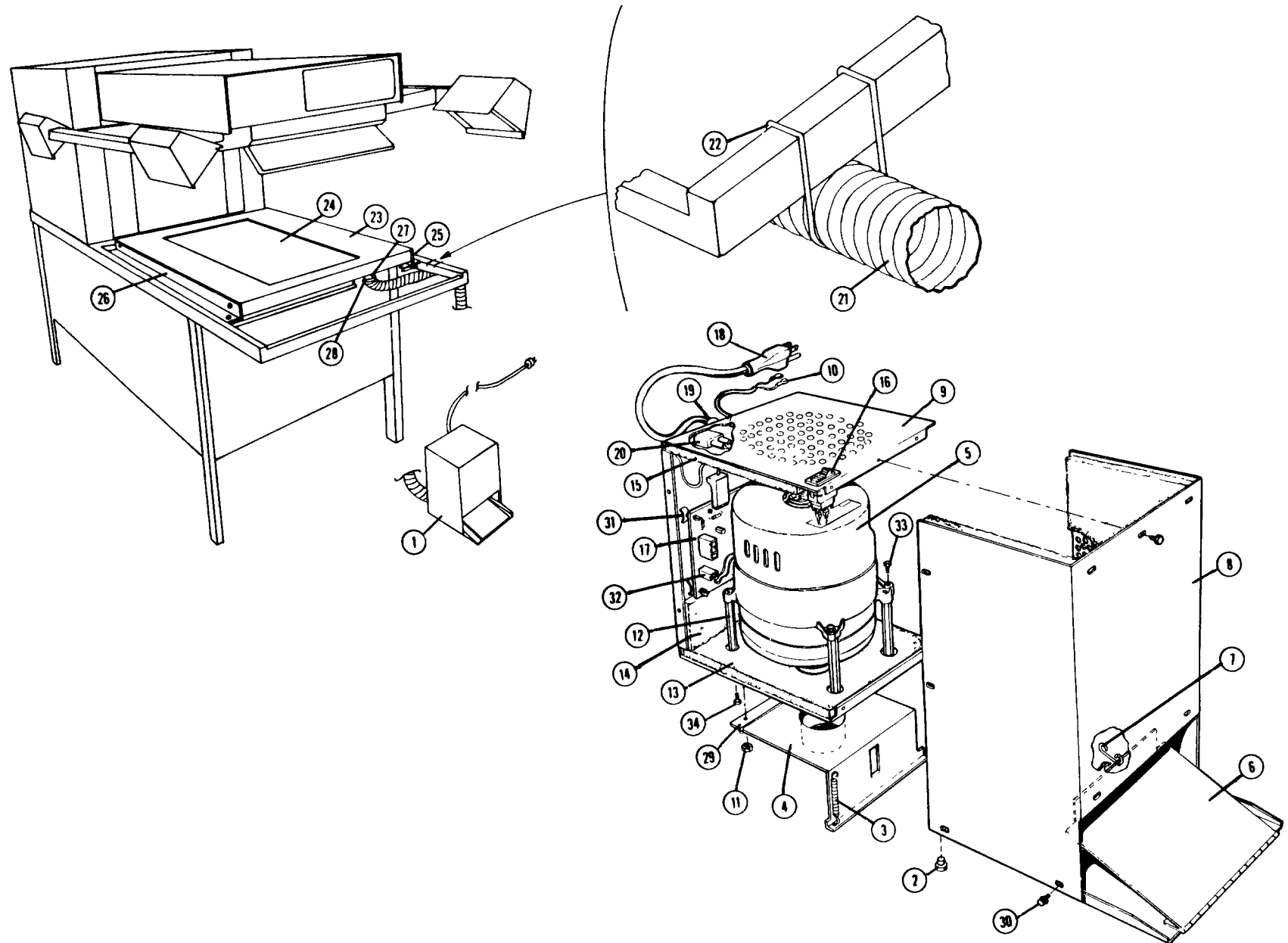
616S VACUUM COPYBOARD KIT INSTALLATION

- 1) Measure the distance from the copyboard glass to the overhang (keep notes on these distances).
- 2) Remove copyboard. Due to the location of the back nuts it may be necessary to remove the stacker tray to enable you to remove the furthest nut.
- 3) Assemble the vacuum copyboard arms to the vacuum copyboard. (Refer to picture of this assembly.) Two sets of arms (angle pieces) are shipped with the unit. Use the arms (P/N 206497 and 206498) on all 616S units.
- 4) Mount the vacuum copyboard to the machine. (Reference drawing on Page 42).
- 5) Using the measurement from Step 1, add 1/4" to compensate for the thickness of the glass and locate the copyboard at the correct height.
- 6) Install the vacuum hose to the vacuum motor assembly and secure with hose clamp.
- 7) Install vacuum hose to copyboard and secure with hose clamp.
- 8) Attach hose to platemaker as indicated in drawing. (Reference drawing on Page 42.)
- 9) Run the small D. C. cable, with terminals attached, into the 616S unit by following it along the power cable through the holes and wire clamps to the lamp relay K101. Install the red wire onto Pin #3 and the black wire onto Pin #4 of the K101 relay.
- 10) Plug the 3 prong power cord into a 120 volt A. C. outlet. (The foot pedal must be used to release the vacuum to change originals if the unit is operated in the manual mode.)
- 11) Using a 530 test target check focus and size.
- 12) Once size and focus have been established you now have to locate and center your original. Once center is located, tape original to board to secure it temporarily.
- 13) Once original has been properly located, cut a hole in the masking material (approximately 1/8" smaller than the original) to cover extra holes on copyboard. Then align and tape the masking sheet to the vacuum copyboard. (A masking sheet is required for each size original and each enlargement or reduction of an original. Remove the original temporarily installed in Step 11.



Vacuum Control PCB P/N 20556702

VACUUM COPYBOARD ASSEMBLY 20334001 (New Style)



VACUUM CONTROL BOARD ASSEMBLY 20334001 (New Style)

| Ref. | Description | Part No. | Qty. | Ref. | Description | Part No. | Qty. |
|------|-----------------------------|----------|------|------|------------------------------|----------|------|
| 1 | Blower Assembly Complete | 206480 | 1 | 23 | Mask | 20363401 | A/R |
| 2 | Bumper | 19837301 | 2 | 24 | Vacuum Platen Assy. Complete | 206181 | 1 |
| 3 | Extension Spring | 20335401 | 2 | | Vacuum Platen Only | 20332101 | 1 |
| 4 | Valve Assembly | 20328601 | 1 | | Screw, 1/4-20 x 2" | H0489300 | 4 |
| 5 | Blower - Brushless | 20546201 | 1 | | Nut, 1/4" x 20 flanged | H0124200 | 8 |
| 6 | Treadle and Base Weldment | 20386401 | 1 | 25 | Angle L.S. | 206497 | 1 |
| 7 | Link | 20327101 | 1 | 26 | Angle H.S. | 206498 | 1 |
| 8 | Cover Assembly | 206479 | 1 | | Screw, 8-32 x 3/8" | H0684300 | 4 |
| 9 | Housing Weldment | 206481 | 1 | 27 | Vacuum Box | 206182 | 1 |
| 10 | Vac D.C. Harness Assembly | 206487 | 1 | | Screw, 10 x 1/2" self-tap | H0269400 | 1 |
| | Strain Relief | 08740200 | 1 | | Flat Washer, #10 | H0156900 | 1 |
| 11 | Hex Nut, #6-32 | H0904000 | 3 | | Screw, 8-32 x 3/8" | H0684300 | 4 |
| 12 | Standoff | 40150226 | 4 | | Sealant | H0885400 | A/R |
| 13 | Foam | 206476 | 1 | 28 | Hose Clamp | 08327601 | 2 |
| 14 | Foam | 206485 | 1 | 29 | Spacer | 20328101 | 1 |
| 15 | Foam | 206486 | 1 | 30 | Screw, 8-32 x 1/4 | H0684800 | 13 |
| 16 | DP/DT Switch | 19229705 | 1 | 31 | Standoff | 20293401 | 4 |
| | Label | 206484 | 1 | 32 | Vacuum Motor Harness | 20562101 | 1 |
| 17 | Vacuum Control PCB Assembly | 20556702 | 1 | 33 | Screw, 8-32 x 1/2 | H0076900 | 1 |
| 18 | Power Cord Assembly | 206491 | 1 | | Nut, 8-32 | H0144200 | 1 |
| 19 | Bushing | 40128312 | 1 | | Lock Washer, #8 | H0155100 | 1 |
| 20 | Circuit Breaker 10 AMP | 40121703 | 1 | | Plain Washer, #8 | H0156300 | 1 |
| 21 | Air Duct-Flexible | 19491903 | 1 | | Screw, 8-32 x 3/4 | H0684500 | 3 |
| 22 | Clamp, Flex Hose | 20364201 | 1 | 34 | Screw, 8-32 x 1/2 | H0684400 | 2 |

Cable hooks into K101:

Pin 3 - Red
Pin 4 - Black