

Itek

617E

Platemaker

Parts

Manual



COPYRIGHT 1990 A.B. DICK/ITEK GRAPHIX. All rights reserved. This manual may not be duplicated, reproduced, or transmitted (in whole or in part) in any form or by any means, electronic or mechanical, (including without limitation photocopy, facsimile, recording or any information storage and retrieval system) without the prior written consent of A. B. Dick/Itek Graphix.

DISCLAIMER OF WARRANTIES (EXPRESS OR IMPLIED). While due care has been taken in the preparation of this manual, A.B Dick/Itek Graphix. makes no representation or warranties with respect of the adequacy or accuracy hereof and specifically disclaims any implied warranties of merchantability or fitness for any particular purpose. Further, A.B. Dick/Itek Graphix reserves the right to revise this publication and to make changes (both substantial and insubstantial in nature) in the contents hereof from time to time hereafter without obligation of A.B. Dick/Itek Graphix to notify any person or organization of such revisions or changes.

SAFETY WARNING. Safety devices have been installed as original equipment for your protection and safety. The removal, disconnection or alteration of any safety guard, protective cover, safety interlock or other safety or protective device comprising part of the equipment described herein poses an undue safety hazard and the same is strictly prohibited.

DISCLAIMER OF LIABILITY. A. B. Dick/Itek Graphix disclaims any responsibility or liability for personal injury, death or property damage caused by or arising out of (i) the removal, disconnection or alteration of any safety guard, protective cover, safety interlock or other safety or protective device comprising part of the equipment described herein, or (ii) the failure of the person or persons operating the equipment described herein or servicing procedures and warnings contained herein.

RECOMMENDED TECHNICAL TRAINING. The information herein is designed only to supplement a formalized training program for skilled service technicians who already possess full knowledge of general electrical and mechanical safety procedures. This document is not intended to be a guide for "do it yourself" repair of the subject equipment by anyone who has not successfully completed a formal technical training course on the subject equipment. Users of this document are advised that A.B. Dick/Itek Graphix shall not be liable for any personal injury or property damage arising out of the use of this document by untrained persons.

This equipment complies with the requirements in Part 15 of FCC Rules for a Class A computing device. Operation of this equipment in a residential area may cause unacceptable interference to radio and TV reception requiring the operator to take whatever steps are necessary to correct the interference

SAFETY FIRST

Safety can never be over emphasized. In the performance of your day-to-day duties as a Technical Representative, the potential of serious injury is ever present. To reduce the possibility of accidental injury a few safety procedures must be observed when working on any type of equipment.

1. PREPARE YOURSELF

Personal safety is a correct mental and physical attitude. Think before you act. Tuck in your tie, roll up your shirt sleeves and remove watches and/or rings.

2. REMOVE POWER

If at all possible, troubleshooting should be accomplished with the machine de-energized. If this is not possible, observations should be made from a distance that insures 100% personal safety. By all means, no adjustments or repairs should be attempted while the machine is running.

3. STATIC SAFETY

Static can damage components. Never handle new or defective control boards outside anti-static shipping bag unless grounded wrist strap is worn.

Never store or ship new or defective control boards near strong electrostatic, electromagnetic, magnetic or radioactive fields.

Wrist strap can be ordered by TK077300 number.

4. TAKING ELECTRICAL READINGS

Due to the amount of electrical components in this machine, electrical troubleshooting, by means of taking voltage readings, may be necessary from time to time. Meter leads should be connected (by means of alligator clips if necessary) after the power plug has been removed from the socket. Return power to this machine in order to take your readings.

5. PROTECT YOUR EYES

The driving of large shear pins can cause flying chips of metal from the hammer or the pin punch. The use of an electric drill can be equally as dangerous. Wear safety glasses while performing tasks of this nature.

6. NEVER PLACE TOOLS OR PARTS IN A MACHINE

If you violate this rule long enough, you can be assured of damaging a customer's machine.

7. REPLACE ALL COVERS ON THE MACHINE
They are provided to protect the operator from injury.
8. PLAY IT SAFE!!!

- WARNING -

PRIOR TO PERFORMING SERVICE ON THIS UNIT
REMOVE POWER PLUG FROM WALL

T A B L E O F C O N T E N T S

617E Front View	3
Copyboard Assembly	13
Moveable Lamp Assembly	19
Lens Carrier Assembly	27
Optics Assembly	29
Focal Plane	33
Positive Corona Assembly	41
Negative Corona Assembly	43
Hinge Side Plate and Knife	45
Processor/Fuser Assembly	57
Latch Side Plate	77
Base Electronics Compartment	83
Accessories	87
Vacuum Copyboard Assembly	89
Vacuum Blower Assembly	91
Fume Collection Kit	97
Fume Collector	99
Backlighted Copyboard	101

Legend: L.S. - Latch Side of machine as it
 relates to the material
 compartment door, also right side.
 H.S. - Hinge Side of machine as it
 relates to the material
 compartment door, also left side.
 Front - copyboard end of unit
 Rear - delivery end of unit

1

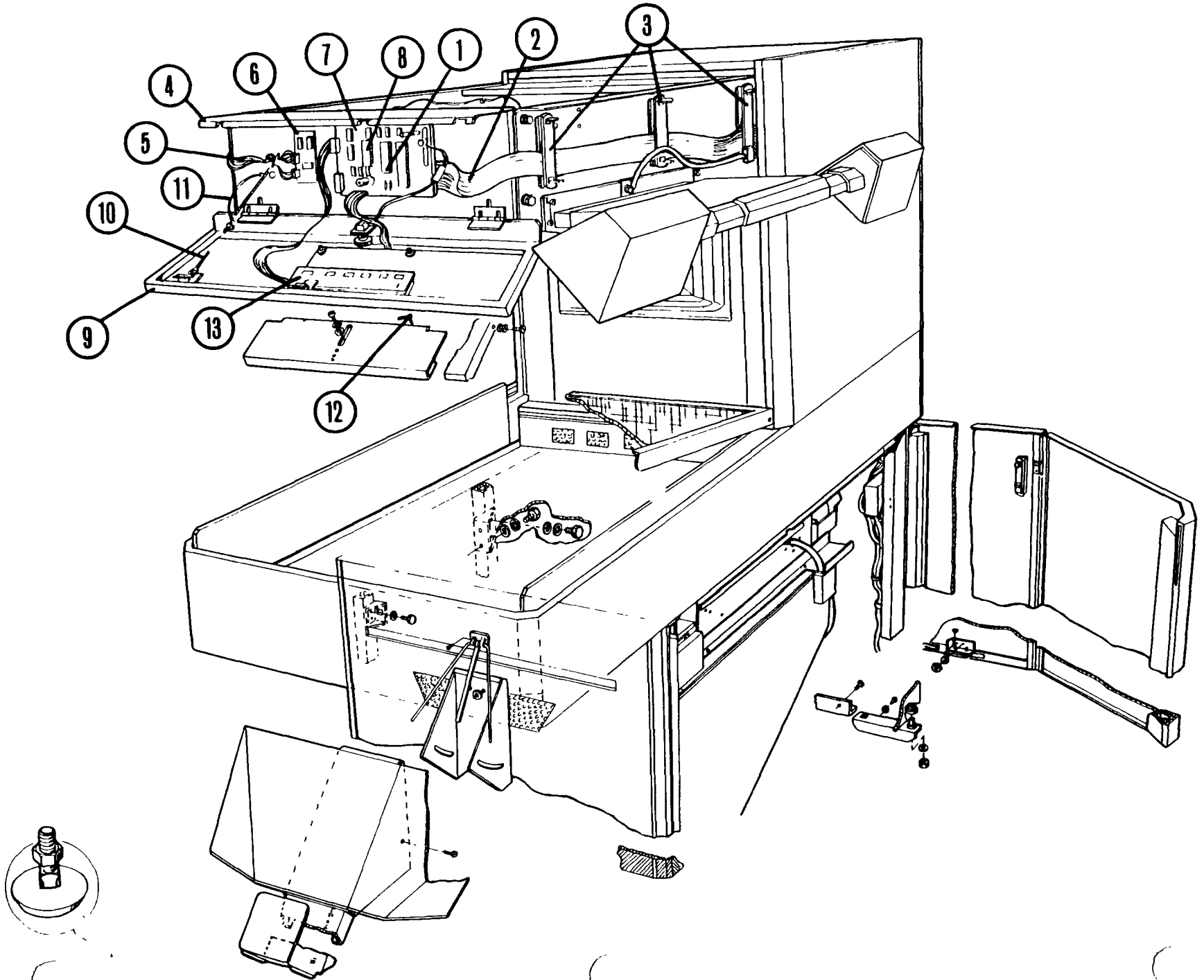
2

3

P A R T S

FRONT VIEW

2

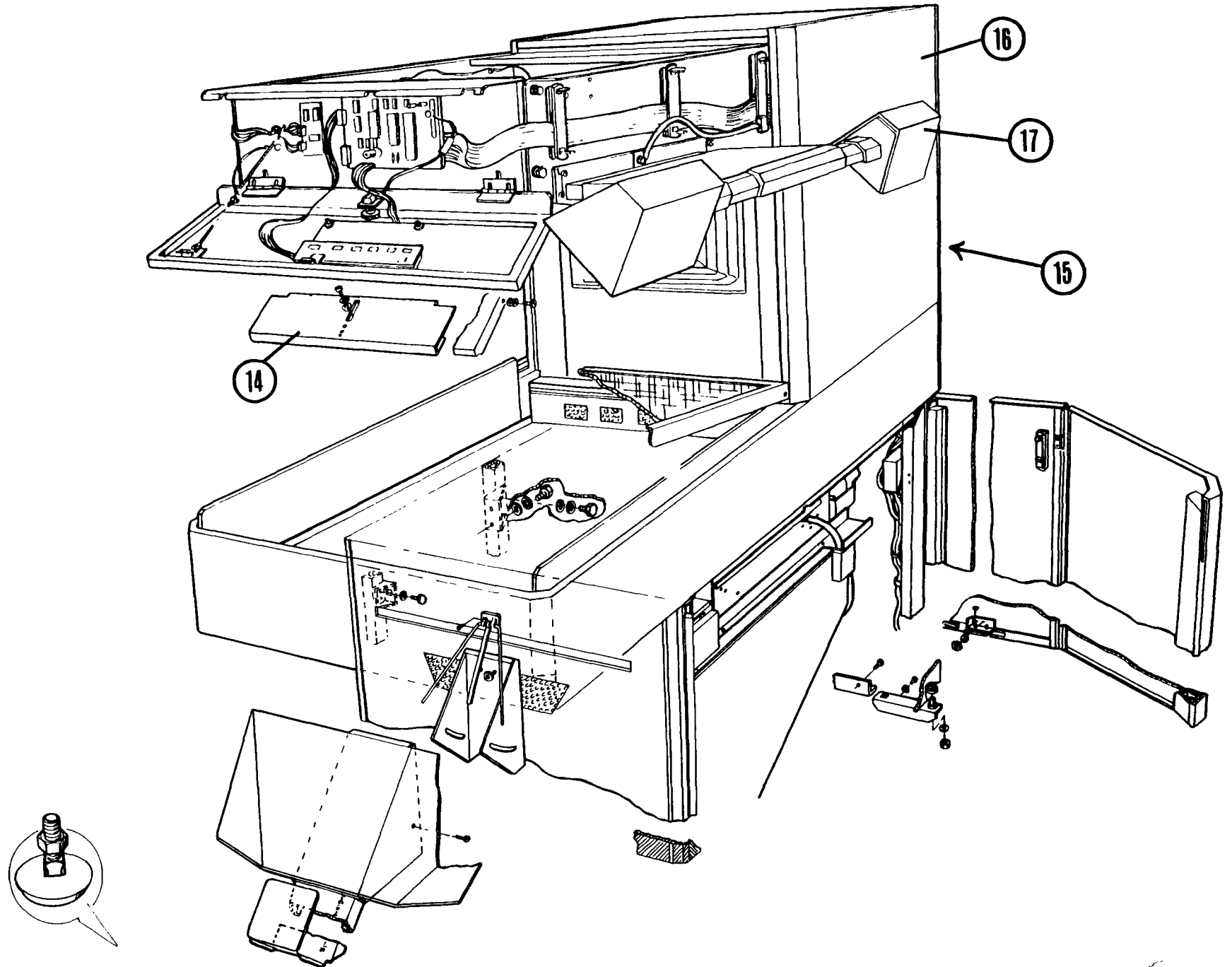


617E FRONT VIEW

Ref.	Description	Part No.	Qty.
---	-----	-----	---
1	U9 Prom V. 1.0 English	21073300	1
2	CPU Board Cable Assembly	20933700	1
3	Cable Clamp	20111101	3
4	Front Plate	21067100	2
	Screw, 1/4 x 3/8"	H6874	4
	Flat Washer, 1/4	H1903	4
5	Optics DC Harness	20934600	1
6	Display Interconnect PCB Assy	20809700	1
	Standoff	20293402	4
7	CPU Board Assembly		
	(contrast control on CPU)	20374501	1
	(external contrast control)	20374502	1
	Standoff	20293402	1
8	Battery Backed Ram	40115502	1
9	Display Panel Weldment	21066901	1
10	Cable, 6.01"	20313602	2
	Nut, 10-32	H9042	2
11	Ground Strap	20941200	1
	Nut, 8-32	H9041	1
	Nut, 10-32	H9042	1
12	Membrane Switch Assembly	20848700	1
	Nut, 8-32	H9041	6
	Membrane Switch Only	20781500	1
13	Liquid Crystal Display	21041800	1
	Screw, 6-32 x 1/2"	H4701	4
	Lock Washer, #6	H1583	4
	Insulator	20420401	1
	Display Panel Assy Complete (items 9, 10, 11, 12, 13)	21067200	

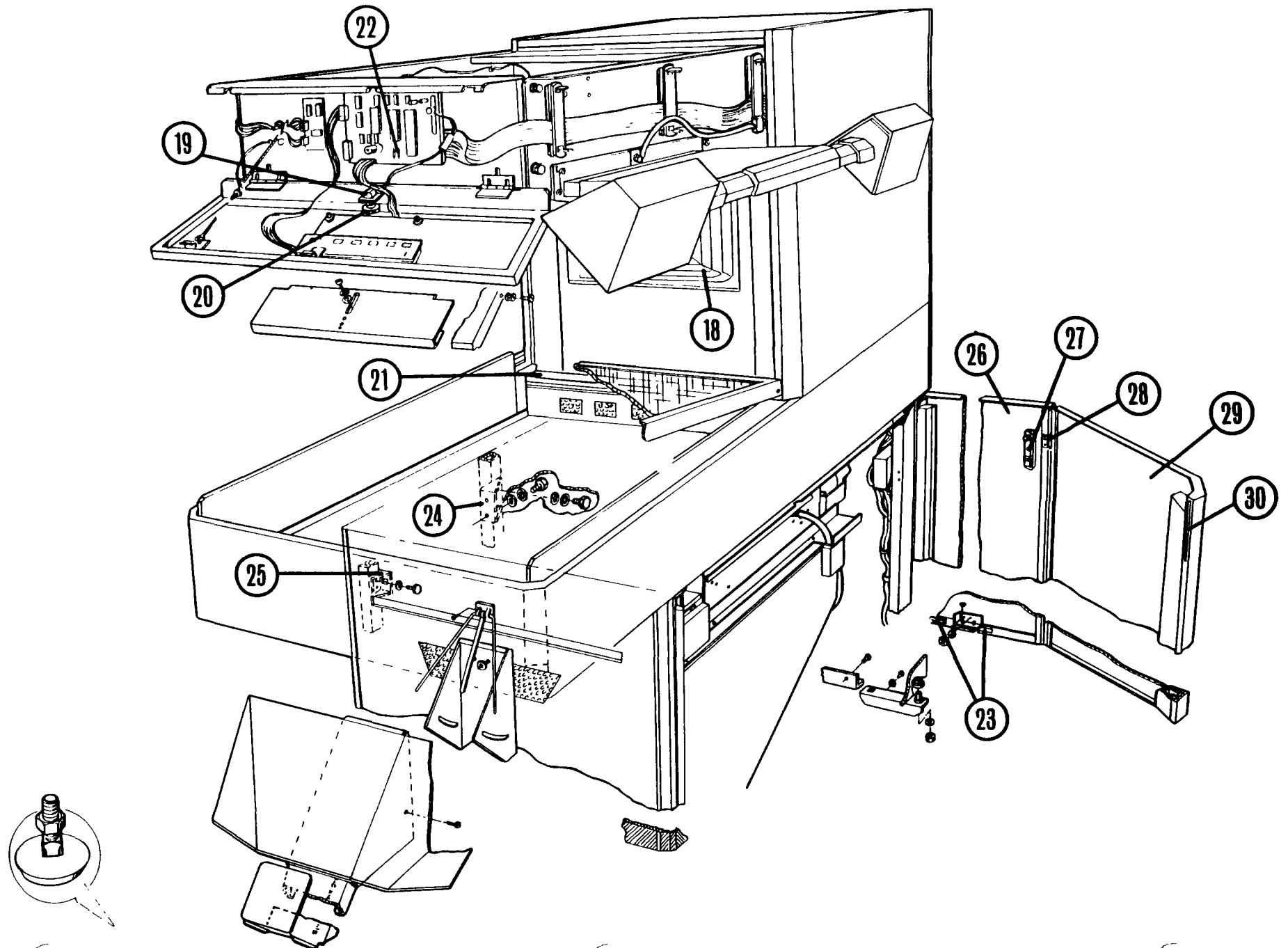
FRONT VIEW

4



617E FRONT VIEW

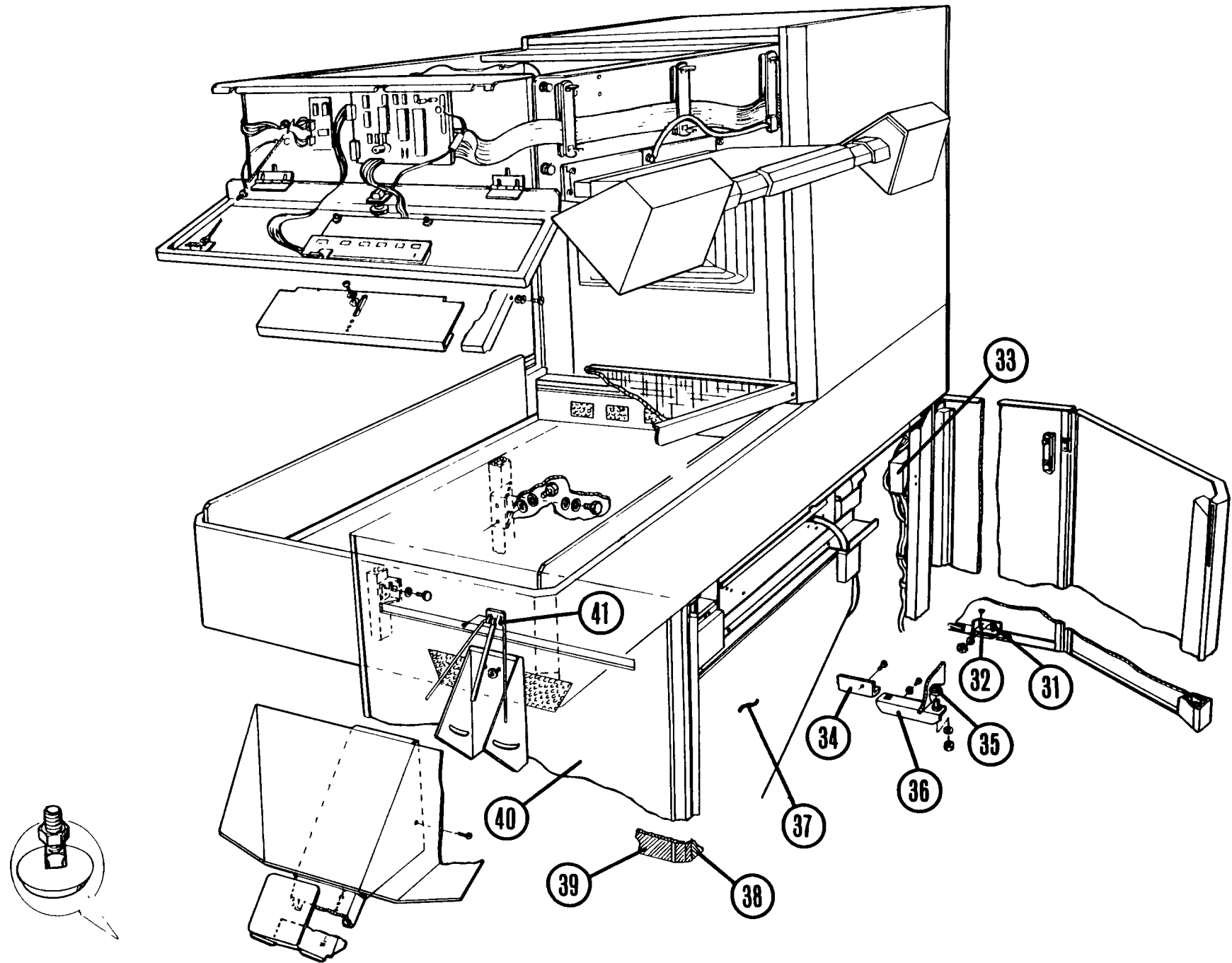
Ref.	Description	Part No.	Qty.
---	-----	-----	---
14	Light Shield	20178801	1
	Screw, 6-32 x 1/4"	H4701	1
	Flat Washer, #10	H1475	1
	Spring Washer	H1578	1
	Flat Washer, #8	H1474	1
15	Rear Door	21063200	1
	Concealed Hinge	20881600	2
	Hinge Plate	20881601	2
	Magnetic Strip	19806401	1
16	L.S. Cover		
	(without door)	21071500	1
	L.S. Cover Assy Complete		
	(with door)	21065700	1
	Cover Only	21065400	1
	Door Only	21065200	1
	Pocket Pull	20881200	1
	Door Shroud	20165300	1
	Nut, 10-32	H9042	4
	Flat Washer, #10	H1563	4
	Teflon Tape	40151321	3 ft.
	Felt Tape	CL845100	1 ft.
	Magnet	19806402	1
NS	Logo	20602602	1
17	Lamp Arm Assy. L.S.	20909900	1
	Screw, 10-32 x 3/8"	H6878	4



617E FRONT VIEW

Ref.	Description	Part No.	Qty.
---	-----	-----	----
18	Bellows Assembly	20113002	1
	Screw, 6-32 x 1/2"	H6838	8
	Flat Washer, #6	H1564	8
	Lock Washer, #8	H1551	8
	Nut, 8-32	H9048	3
	Flat Washer, #8	H1563	3
	Screw, 10-32 x 3/8"	H6878	4
19	Potentiometer (contrast control)	20551101	1
20	Knob	20039001	1
21	Angle Assembly	20178701	1
22	Shunt	20142201	4
23	Magnetic Catch	08974200	4
24	Shipping Bracket	21045900	
	Screw, 3/8-16 x 1	H4844	4
	Flat Washer	H1904	4
	Lock Washer, 3/8	H1555	4
25	Latch Plate (bump latch)	20968000	1
	Latch Plate (magnetic catch)	21155300	1
	Magnetic Catch	08974200	2
	Screw, 1/4-20 x 1/2"	H4778	2
	Flat Washer, 1/4"	H1562	2
26	Rear Processor Door Weld.	21009100	1
27	Pocket Pull	20881200	2
28	Hinge	20295501	2
	Srew, 10-32 x 3/8	H4654	4
	Lock Washer, #10	H1593	4
29	Front Processor Door Weld	21009300	1
30	Magnetic Strip, 28"	19806405	1

FRONT VIEW

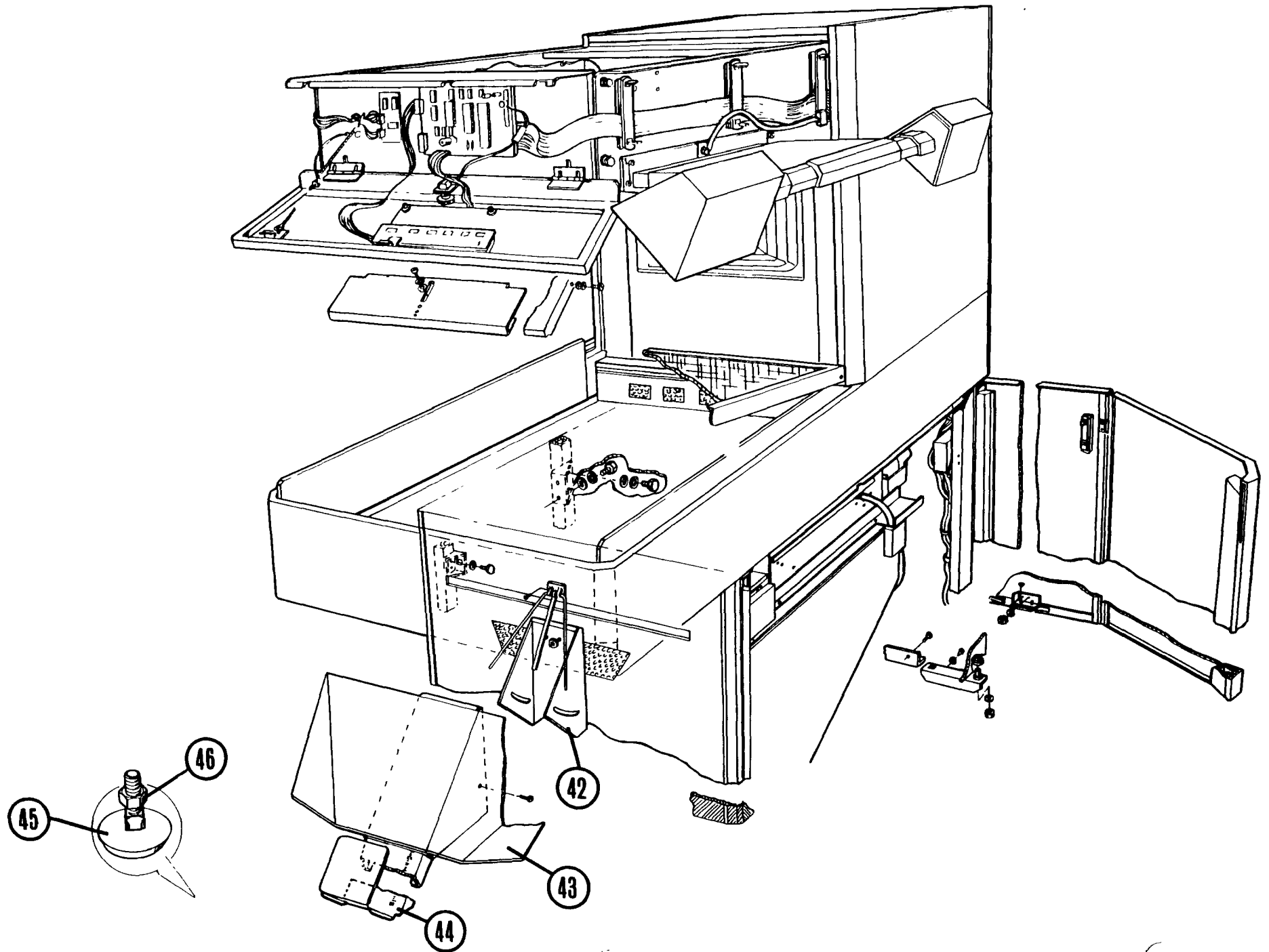


617E FRONT VIEW

Ref.	Description	Part No.	Qty.
---	-----	-----	---
31	Door Actuator	21034700	1
	Nut, 8-32	H9041	2
	Flat Washer, #8	H1563	2
	Nut, 10-32	H9042	2
	Flat Washer, #10	H1560	2
32	Actuator Blade	21066700	1
33	Breaker Box Base	21009800	1
	Screw, 10-32 x 3/8"	H6851	4
	Flat Washer, #10	H1560	4
	Lock Washer, #10	H1552	4
	Main Breaker, 30A, 220V	19598205	1
34	Cover Mounting Angle	20961100	1
	Screw, 8-32 x 3/8"	H6843	2
	Flat Washer, #8	H1563	2
35	Bearing	09258008	1
	Hinge Pin	20926300	1
	Flat Washer, #10	H1560	1
	Nut, 10-32	H9042	1
36	Front Hinge Pin Support	20923900	1
37	Processor/Fuser Assy Complete	20957700	1
38	Decal, Side Toe Kick	20941102	1
39	Decal, End Toe Kick	20941101	1
40	Front Base Panel Weldment	21008700	1
	Nut 10-32, #10	H9042	2
41	Stacker Guide Assembly	20135901	1
	Screw, 6-32 x 1/4"	H6836	2

FRONT VIEW

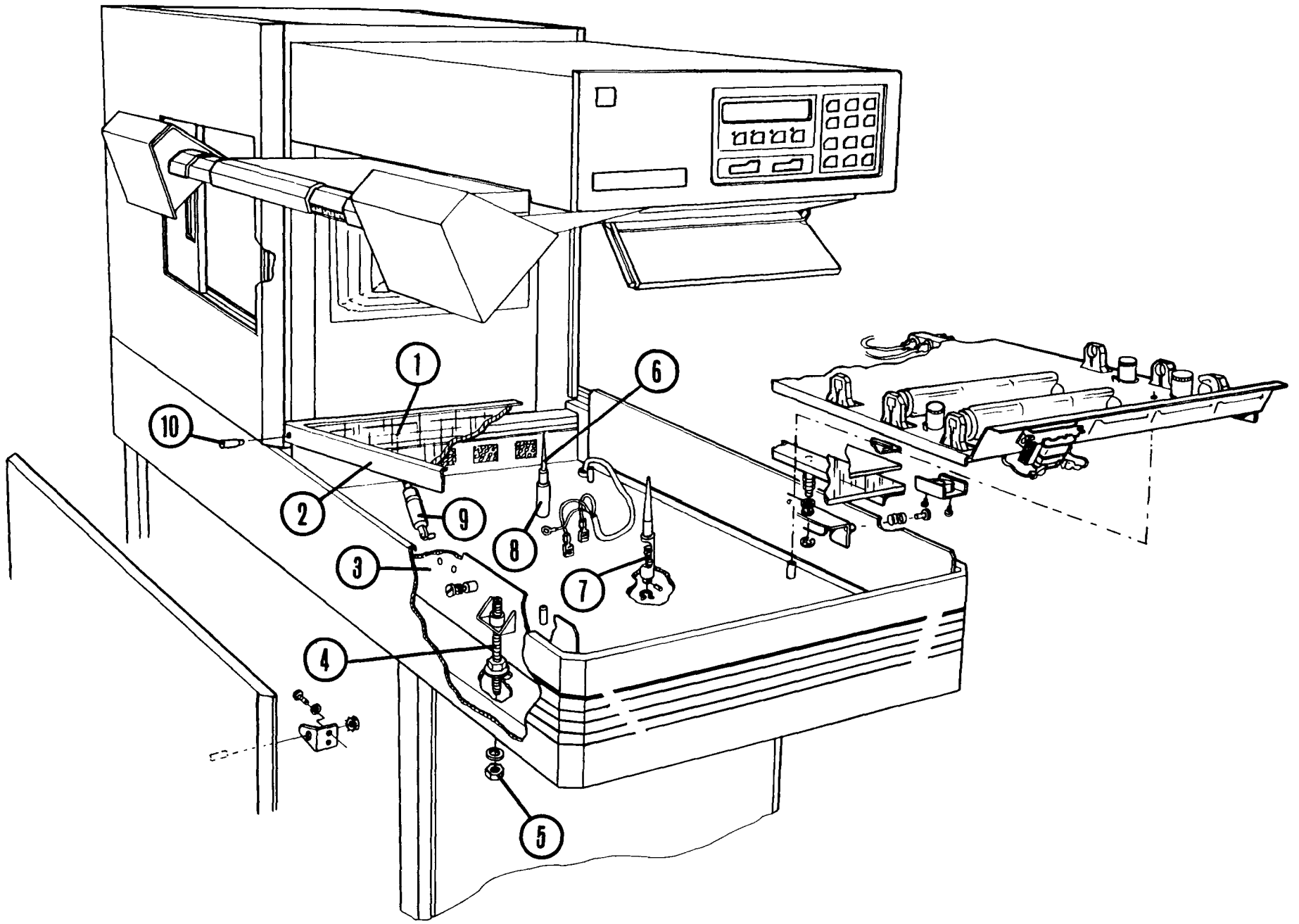
10



617E FRONT VIEW

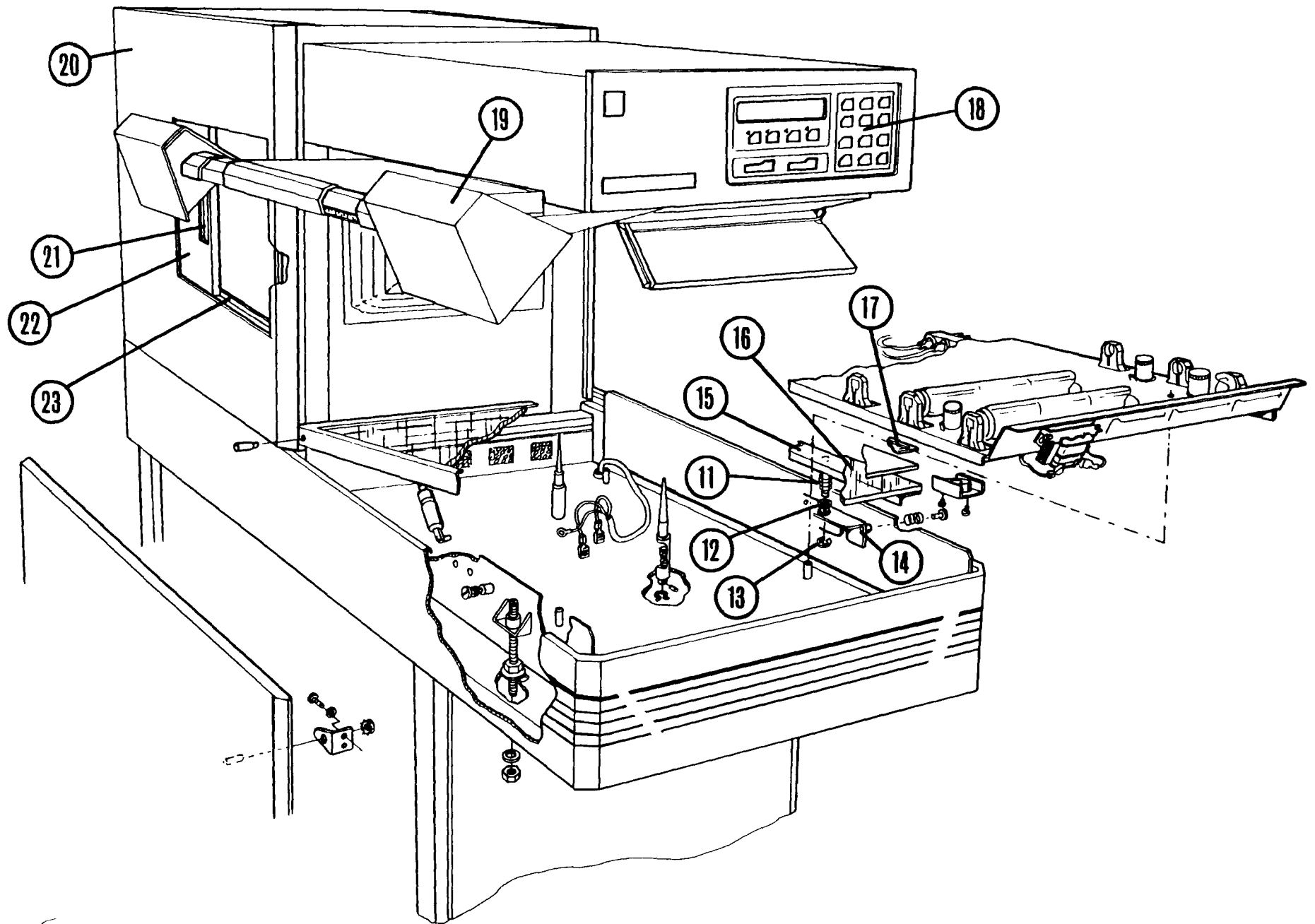
Ref.	Description	Part No.	Qty.
---	-----	-----	---
42	Pivot Adapter	21008100	1
	Nut, 10-32	H9042	4
	Flat Washer, #10	H1569	4
43	Print Catcher Weldment	21021100	1
	Screw, 8-32 x 1/4	H6848	2
	Flat Washer, #8	H1563	2
44	Stacker Slide	20892200	1
	Nylon Nut, 10-32	H1400	2
	Nylon Set Screw, 10-32 x 5/8"	H1112	2
45	Foot	20264401	4
46	Nut, 1/2"-20	H1255	4
	Print Catcher Assy Complete (Items 41 through 44)	21021200	

Legend: L.S. - Latch Side of machine as it relates to the material compartment door, also right side.
H.S. - Hinge Side of machine as it relates to the material compartment door, also left side.
Front - copyboard end of unit.
Rear - delivery end of unit.



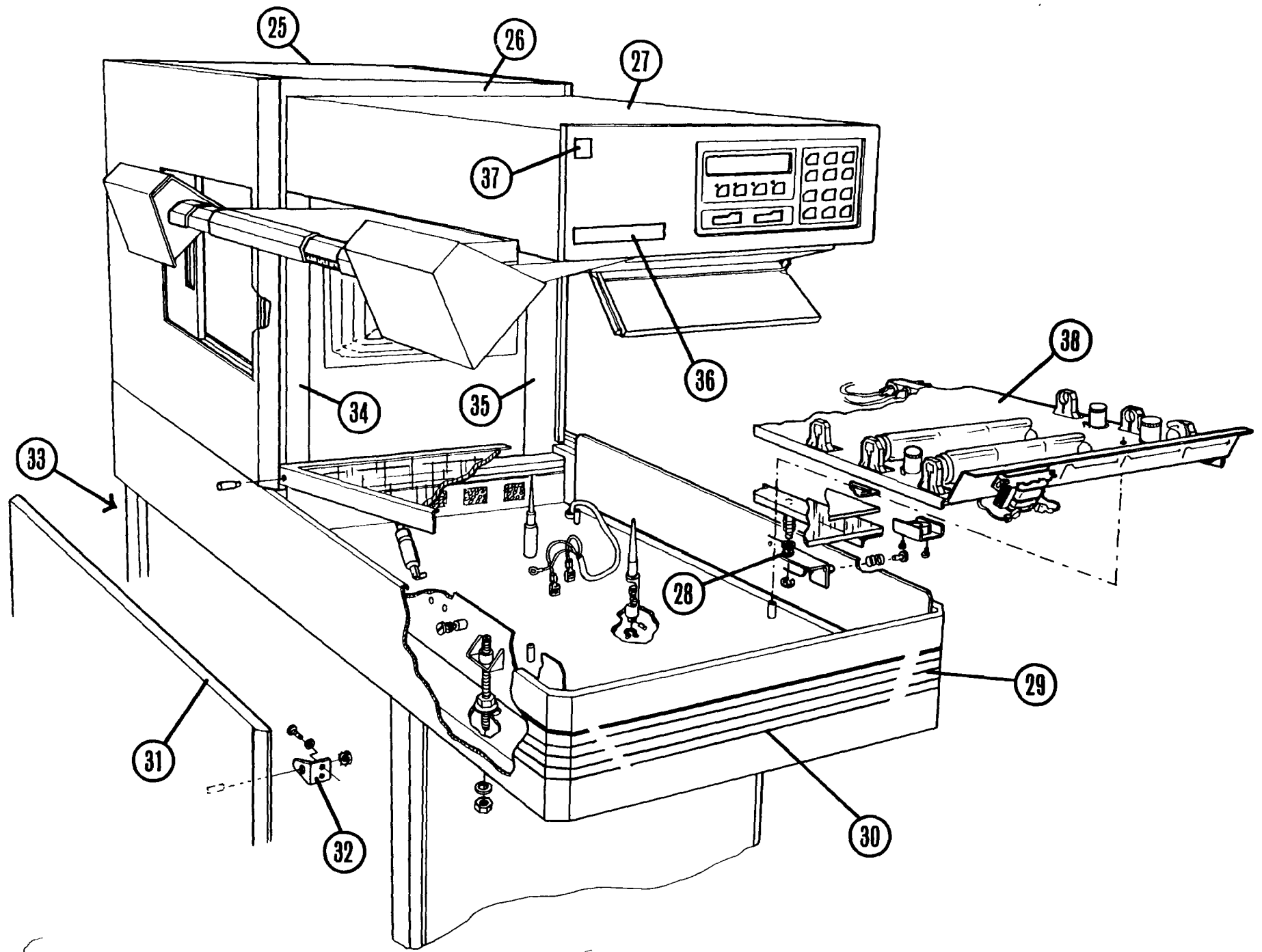
COPYBOARD ASSEMBLY 20930200

Ref.	Description	Part No.	Qty.
---	-----	-----	---
1	Glass, cover	20097702	1
2	Copyboard Cover Weldment	20922300	1
	Tape, double sided adhesive	40151356	9 ft.
3	Lamp Box	20922400	1
4	Screw, adjusting with nut	20922900	4
	Screw only	20956300	4
5	Nut, flanged 5/16-18	H7269	4
	Flat Washer, 5/16"	H1566	4
6	Chart Support	19496801	2
7	Spring	19315301	2
8	Hub	20931500	2
	Pin, 3/32" x 1/2"	H5076	2
	Retaining Ring, 1/2"	H9290	2
9	Counterbalance	20143402	2
	Retaining Ring, 1/4"	H9331	2
10	Hinge Pin	20153401	2
	Set Screw, 8-32 x 1/4"	H1134	2



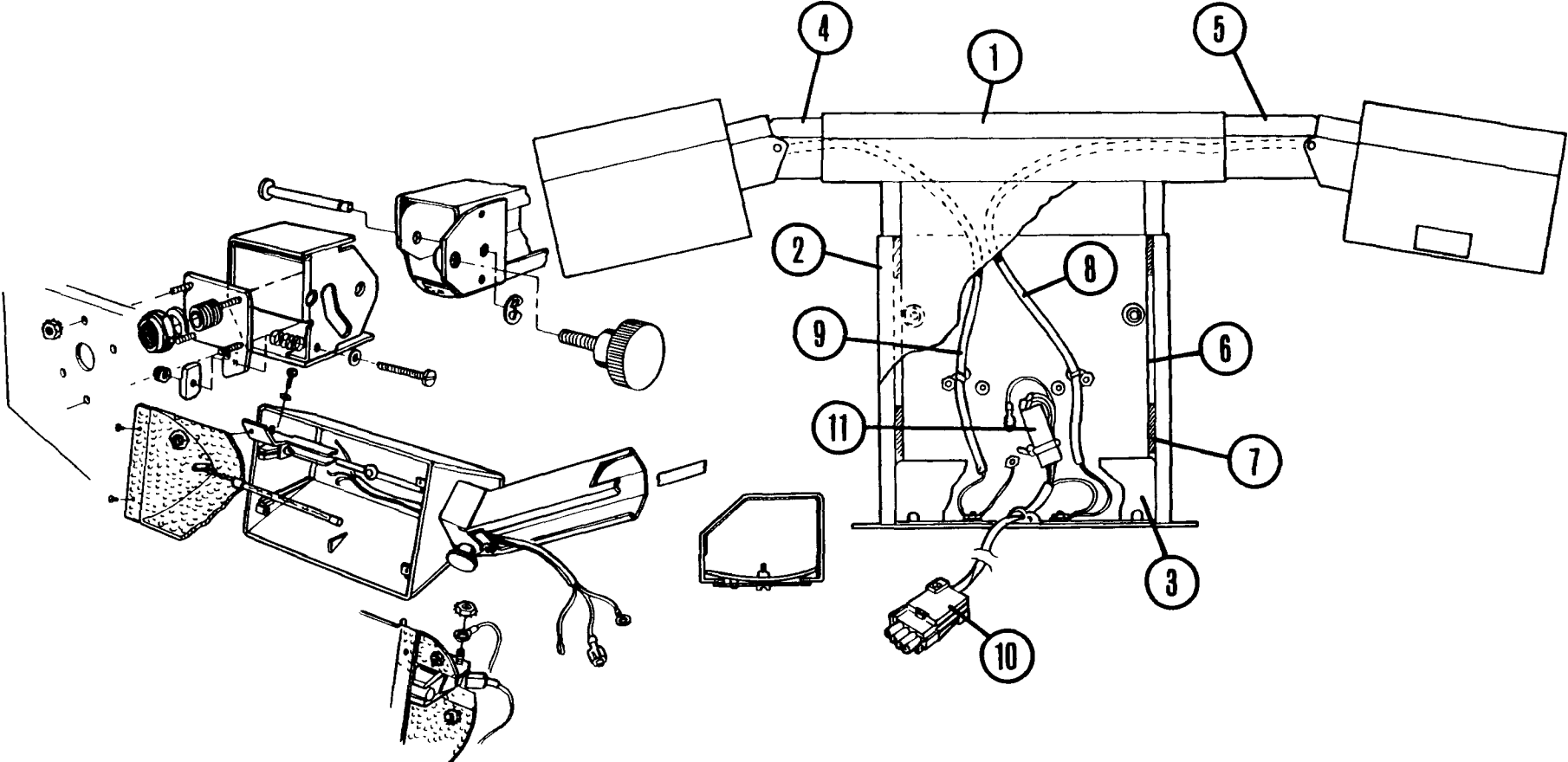
COPYBOARD ASSEMBLY 20930200

Ref.	Description	Part No.	Qty.
---	-----	-----	---
11	Spring	20125901	4
12	Flat Washer, 17/64"	H1901	4
13	Retaining Ring, 1/4"	H9331	4
14	Spring Support, L.S. (shown)	20940400	1
	Spring Support, H.S. (not shown)	20940600	1
15	Platen Spring Support	20940200	2
16	Platen Glass	20097803	1
	Adhesive	40143535	A/R
	Adhesive Activator	40143536	A/R
17	Chart, English/Metric	20126901	1
	Tape, double sided	40151322	A/R
18	Membrane Switch Assy.	20848700	1
19	Lamp Assembly H.S. (shown)	20910000	1
20	Cover Assy. H.S. (complete)	21058900	1
	Cover Only	21064800	1
21	Pocket Pull	20881200	1
22	Side Door	20927800	1
23	Door Slide	20927700	1
	Tape Teflon	40151321	4 ft.
	Tape, Felt	CL845100	1 ft.
	Nut, 10-32	H9041	6



COPYBOARD ASSEMBLY 20930200

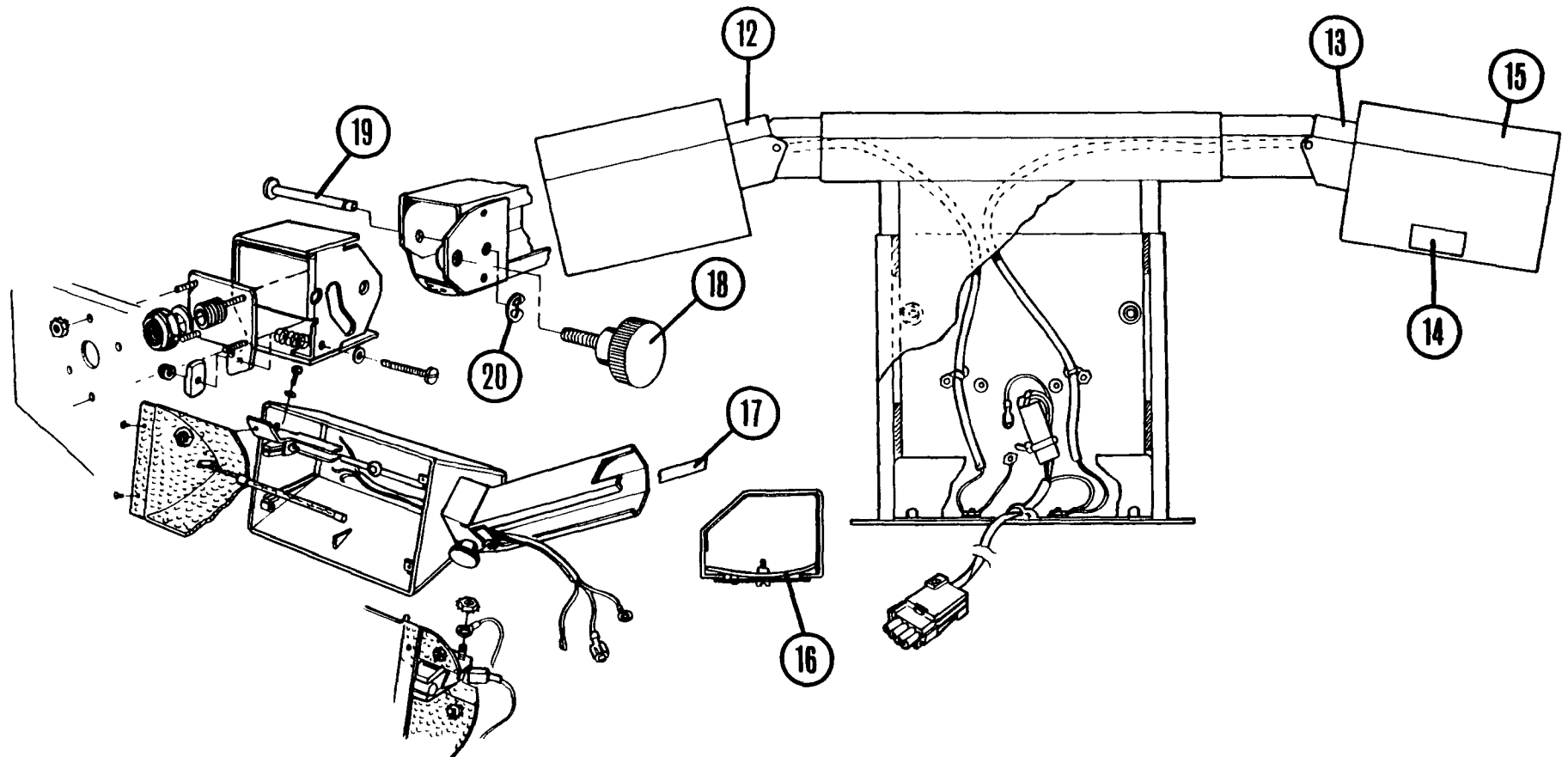
Ref.	Description	Part No.	Qty.
---	-----	-----	---
24	Magnetic Strip	19806404	A/R
25	Top Hinge Cover	21063400	1
	Hinge	20881600	1
	Hinge Plate	20881601	1
	Hinge Support	21063700	1
26	Stationary Top Cover (front)	21064300	1
27	Overhang Cover	21067000	1
28	Nyliner	06754703	4
29	Stripe Decal, corner, 6 5/16"	20940800	4
30	Stripe Decal, end, 22 1/4"	20940901	2
NS	Stripe Decal, side, 56 7/8"	20940902	2
31	Panel, H. S.	21046100	1
32	Bracket	20936000	4
	Lock Washer, #10	H1552	8
	Screw, 10-32 x 3/8"	H6851	8
	Flat Washer, #10	H1560	8
33	Rear Panel	21035000	1
	Nut, 10-32	H9042	2
34	Filler Cover, h.S.	21016900	1
35	Filler Cover, L.S.	21064400	1
36	Stripe Decal, 617E	20913800	1
37	Logo	20602601	1
38	60Hz Backlight Kit (OPTIONAL)	21022603	A/R
	50Hz Backlight Kit (OPTIONAL)	21022602	A/R
	(detailed parts list of Item 38 under ACCESSORIES)		



MOVEABLE LAMP ASSY. (L.S.) 20909900 (Shown)
 MOVEABLE LAMP ASSY. (H.S.) 20910000 (Not Shown)

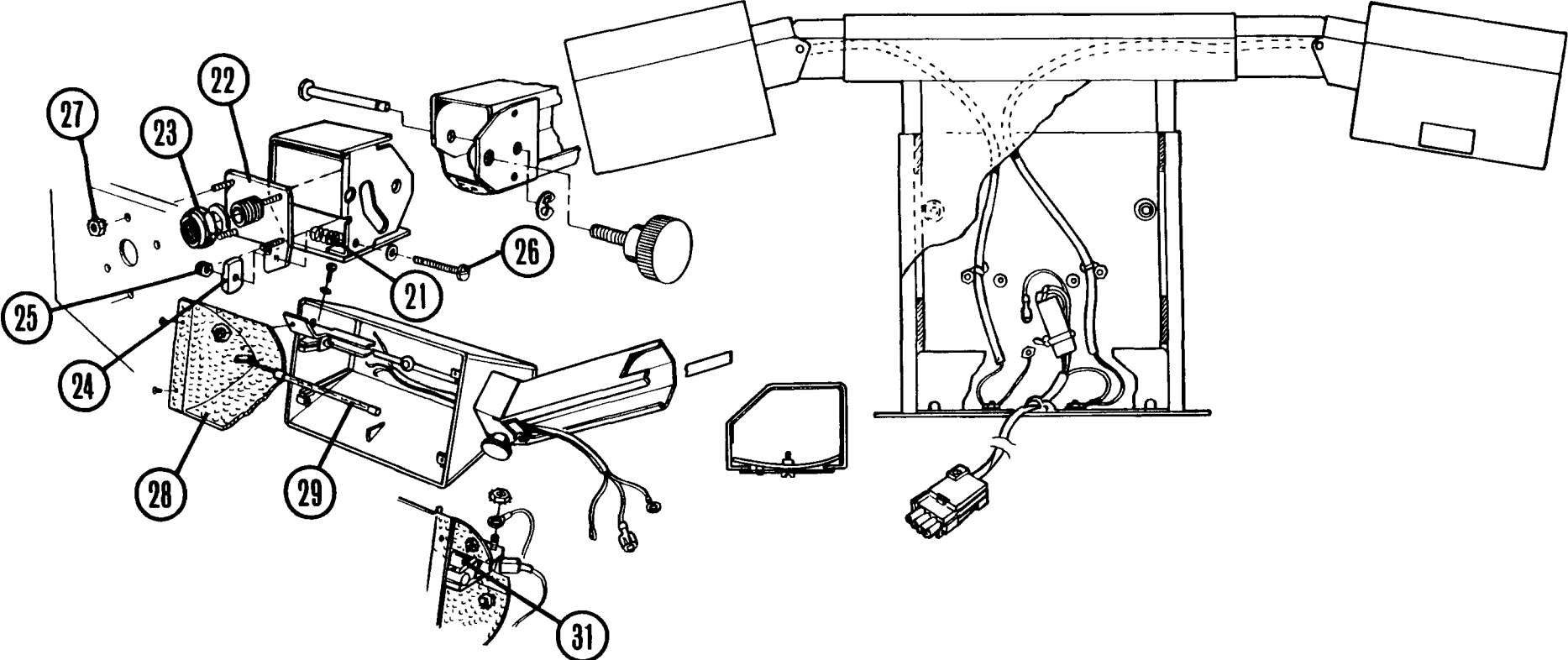
Ref.	Description	Part No.	Qty.
---	-----	-----	---
1	Mounting Plate Weldment	20910500	2
	Screw, thread forming	H6878	8
2	Cover, Lamp Assy.	20447301	2
	Screw, 8-32 x 3/8"	H4721	4
	Lock Washer, #10	H1546	4
3	Cover, Inner Angle	20605101	1
4	Extension Weldment Rear, L.S.	20911000	1
	Extension Weldment Rear, H.S.	20911200	1
5	Extension Weldment Front, L.S.	20862100	1
	Extension Weldment Front, H.S.	20862400	1
6	Outer Arm Weldment	20910800	2
7	Tape, Teflon, 2" wide	40151392	9 ft.
8	Cable, Rear Lamp Pod	20934100	2
9	Cable, Front Lamp Pod	20933500	2
10	Harness, Lamp Feed	20934500	2
	Tie Base	09779700	6
	Wire Tie	E0230700	10
	Nut, 8-32 w/Lock Washer	H9041	A/R
	Nut, 6-32 w/Lock Washer	H9040	A/R
	Pushbutton Cable Tie Mount	20133301	2
11	Common Block	19166701	2

MOVEABLE LAMP ASSY.



MOVEABLE LAMP ASSY. (L.S.) 20909900 (Shown)
 MOVEABLE LAMP ASSY. (H.S.) 20910000 (Not Shown)

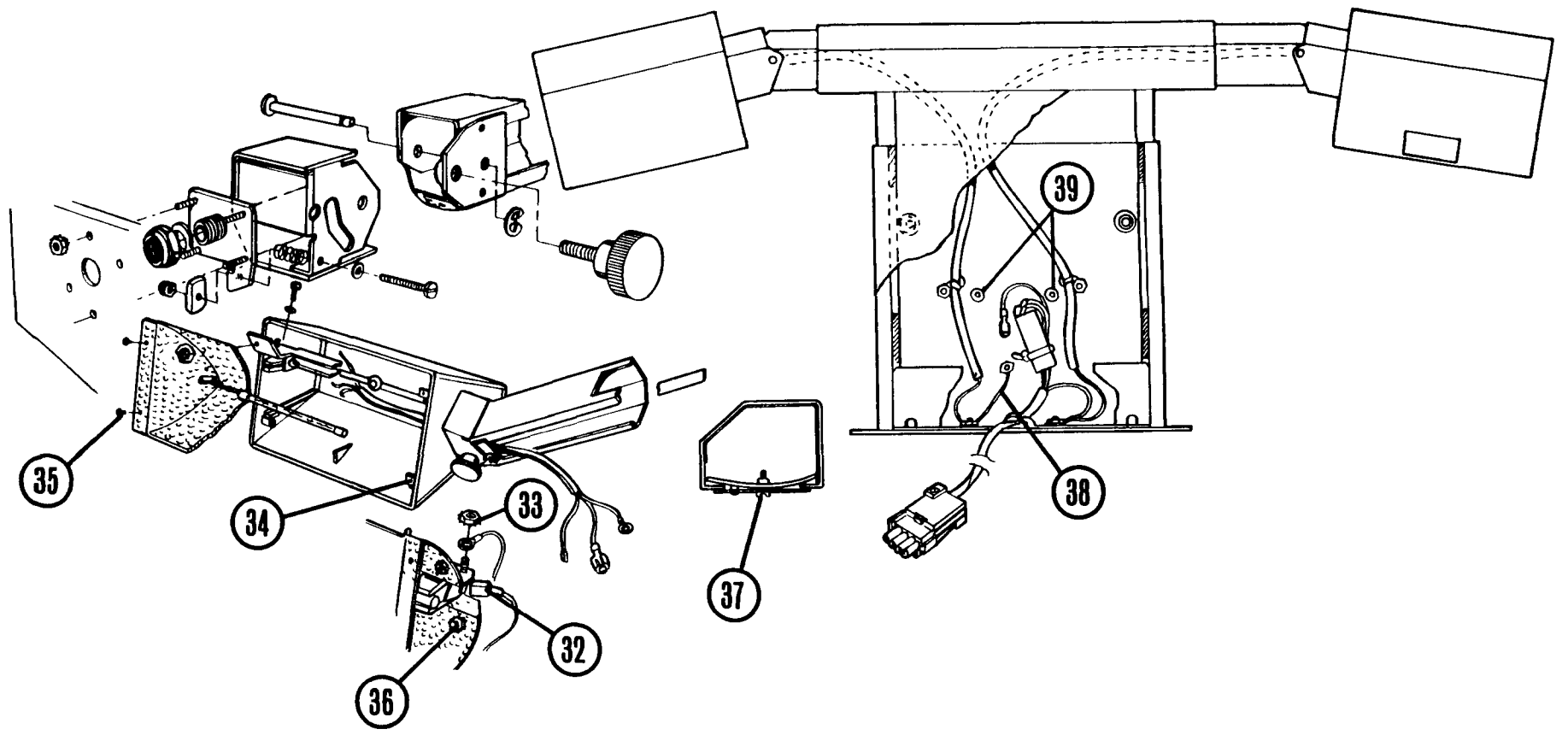
Ref.	Description	Part No.	Qty.
---	-----	-----	---
12	Pivot Arm Weldment Rear, L.S.	20861700	1
	Pivot Arm Weldment Rear, H.S.	20862700	1
	Clamp Plate	20358301	2
13	Pivot Arm Weldment Front, L.S.	20862700	1
	Pivot Arm Weldment Front, H.S.	20861700	1
	Clamp Plate	20358301	2
14	Label, Lamp	21059700	2
15	Lamp Shell	20213301	4
16	Nut Plate	20863800	4
	Screw, 8-32 x 3/8" soc. head	H3217	4
	Lock Washer, #8	H1551	4
	Flat Washer, #8	H1563	4
17	Lamp Scale, Front L.S.	20866200	1
	Lamp Scale, Rear L.S.	20866101	1
	Lamp Scale, Front H.S.	20866200	1
	Lamp Scale, Rear H.S.	20866101	1
18	Knob	20287001	4
19	Pin, Pivot	20863400	4
20	Retaining Ring, 1/4"	H9331	4



MOVEABLE LAMP ASSY. (L.S.) 20909900 (Shown)
 MOVEABLE LAMP ASSY. (H.S.) 20910000 (Not Shown)

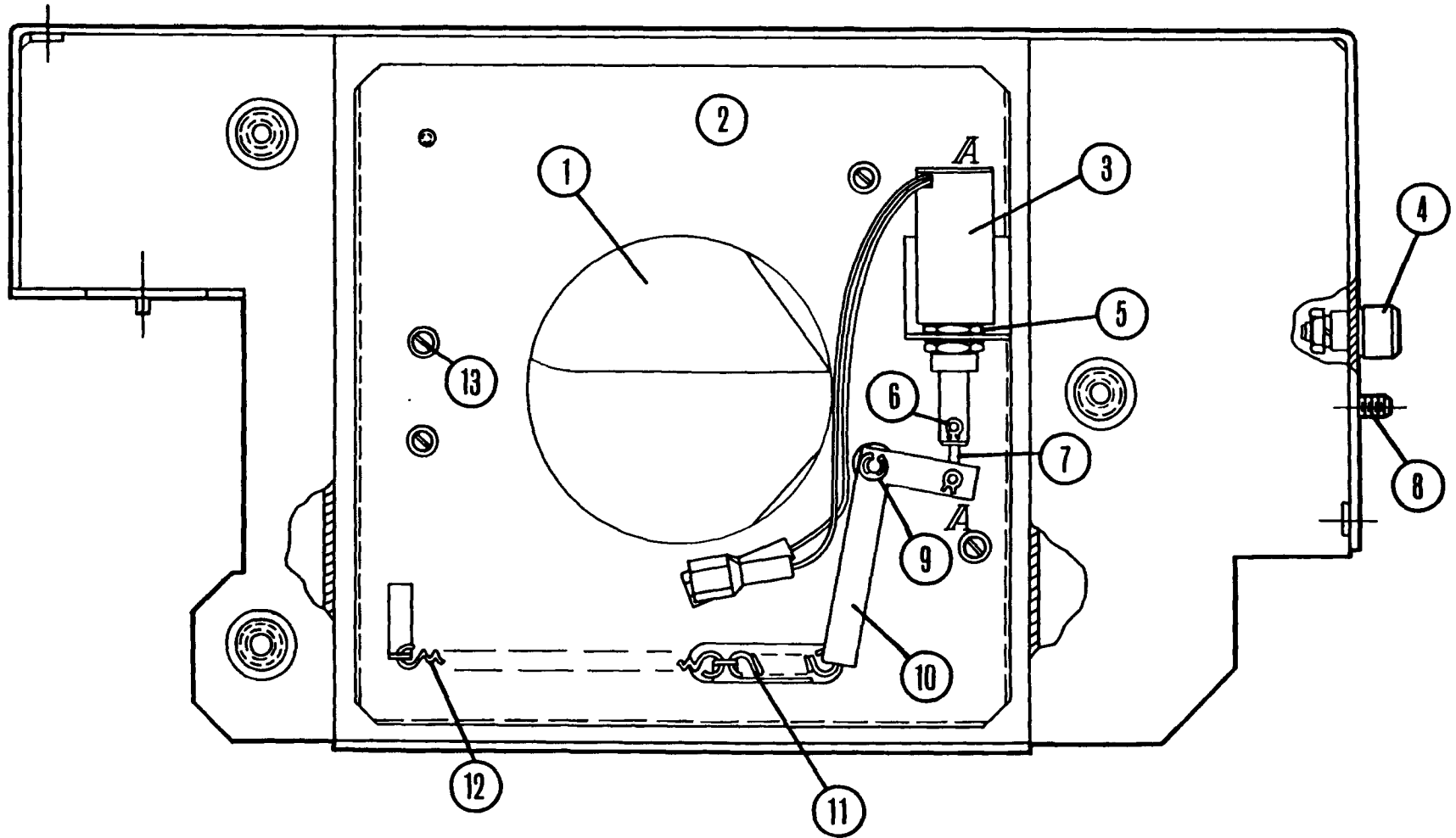
Ref.	Description	Part No.	Qty.
---	-----	-----	---
21	Spring	19563601	4
22	End Plate, Rear L.S.	20861800	1
	End Plate, Front L.S.	20863600	1
	End Plate, Rear H.S.	20863600	1
	End Plate, Front, H.S.	20861800	1
23	Nut, 1/2-20	H4941	4
	Flat Washer, 1/2"	H1905	4
24	Nut, Special Weldment	H6909	4
25	Nut, Self Locking, 8-32	H1336	4
26	Screw, 8-32 x 1/4"	H4724	4
	Flat Washer, #8	H1563	4
27	Nut, 8-32 w/Lock Washer	H9041	16
	Flat Washer, #8	H1563	16
28	Reflector Assembly	206782	4
29	Lamp, 120 Volt, 500 Watt	19068201	4
30	Lamp Bracket	206782	4
31	Socket Only	09188201	8
	Screw, 4-40 x 3/8"	H5855	16
	Nut, 4-40	H1445	16

MOVEABLE LAMP ASSY.



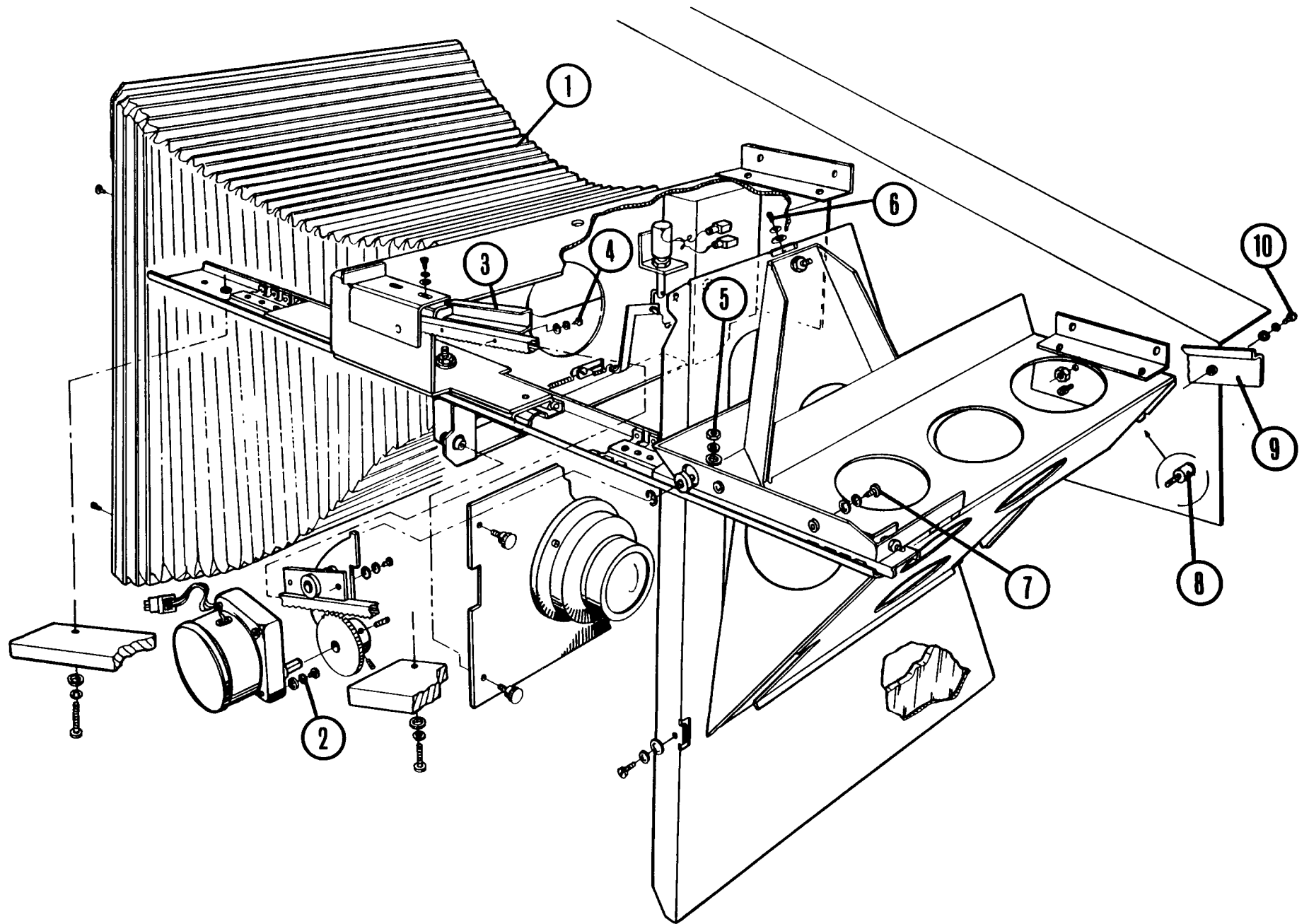
MOVEABLE LAMP ASSY. (L.S.) 20909900 (Shown)
 MOVEABLE LAMP ASSY. (H.S.) 20910000 (Not Shown)

Ref.	Description	Part No.	Qty.
---	-----	-----	---
32	Wire Spade	40131789	8
33	Nut, 8-32 w/Lock Washer	H9041	4
34	Bracket, fastener	206935	16
35	Screw, self tap 6-32 x 3/8"	H2605	16
36	Screw, 8-32 x 1/4"	H6848	16
	Flat Washer, #8	H1563	16
	Nut, 8-32 w/Lock Washer	H9041	16
37	Cap Screw, 8-32 x 3/8"	H3217	2
	Lock Washer, #8	H1551	2
	Flat Washer, #8	H1563	2
38	Ground Strap	20941200	1
NS	Lamp Shield, wire mesh	20876000	A/R
	Pointed Light Baffles	20314001	A/R
39	Screw, socket hd. 10-32x3/8"	H2732	4



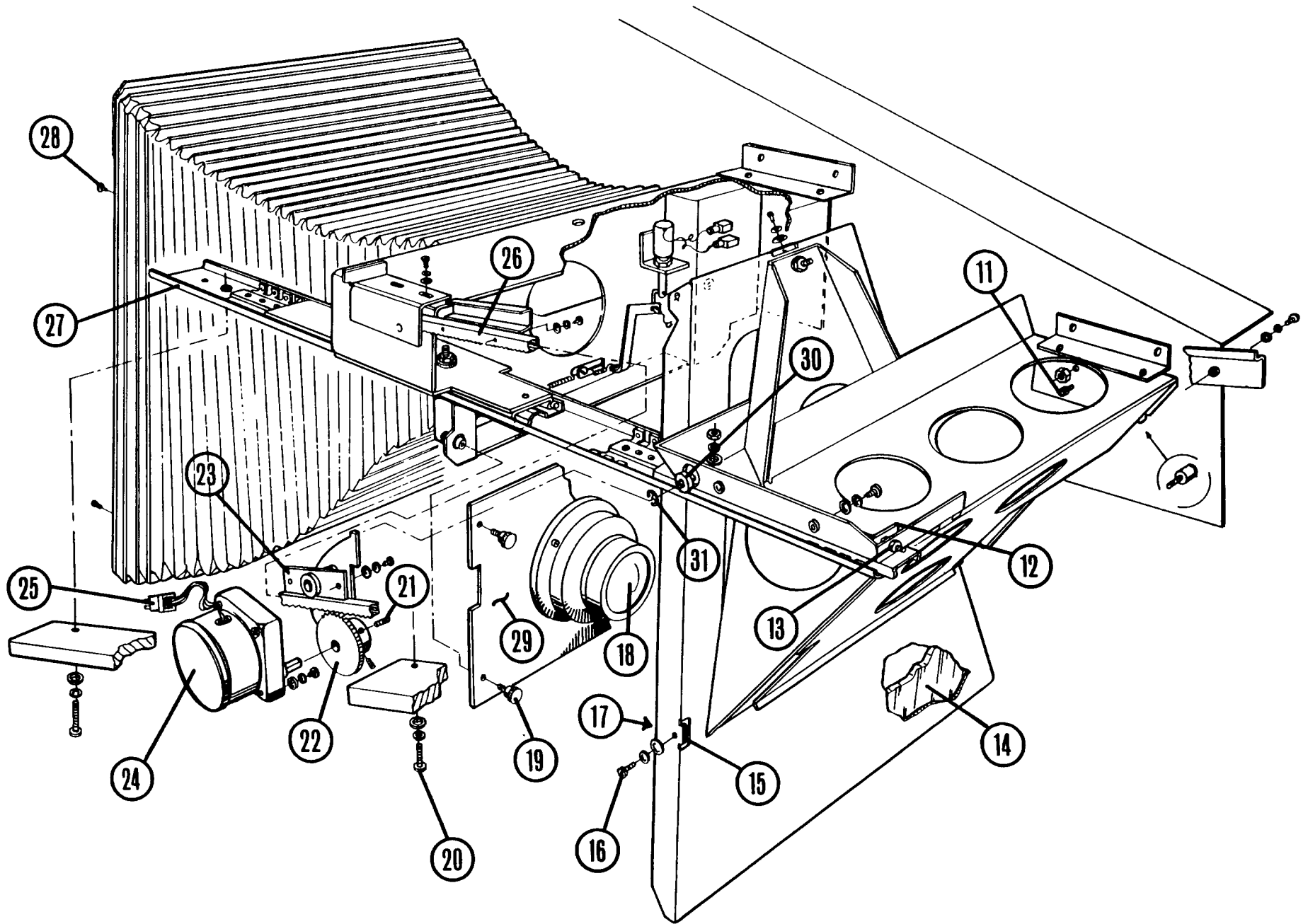
LENS CARRIER ASSEMBLY - 20135201

Ref.	Description	Part No.	Qty.
---	-----	-----	---
1	Shutter Assembly	19633301	1
	Shutter Blades Only	19625801	1
2	Shutter Plate Weld. Assy.	20100101	1
3	Solenoid Assembly	20135101	1
4	Cam Follower	09352900	1
	Spacer	03658700	1
	Lock Washer, #10	H1552	1
	Hex Nut, 10-32	H1444	1
5	Hex Nut	H1361	1
6	Retaining Ring	H9307	2
7	Link	19862801	1
8	Cap Screw, 10-32 x 3/8"	H2732	1
9	Retaining Ring	H9329	1
10	Shutter Link	21061100	1
11	Spring Extension, short	40149711	1
12	Spring Extension, long	19255501	1
13	Machine Screw, 4-40 x 1/4"	H5861	4
	Lock Washer, #4	H1557	4



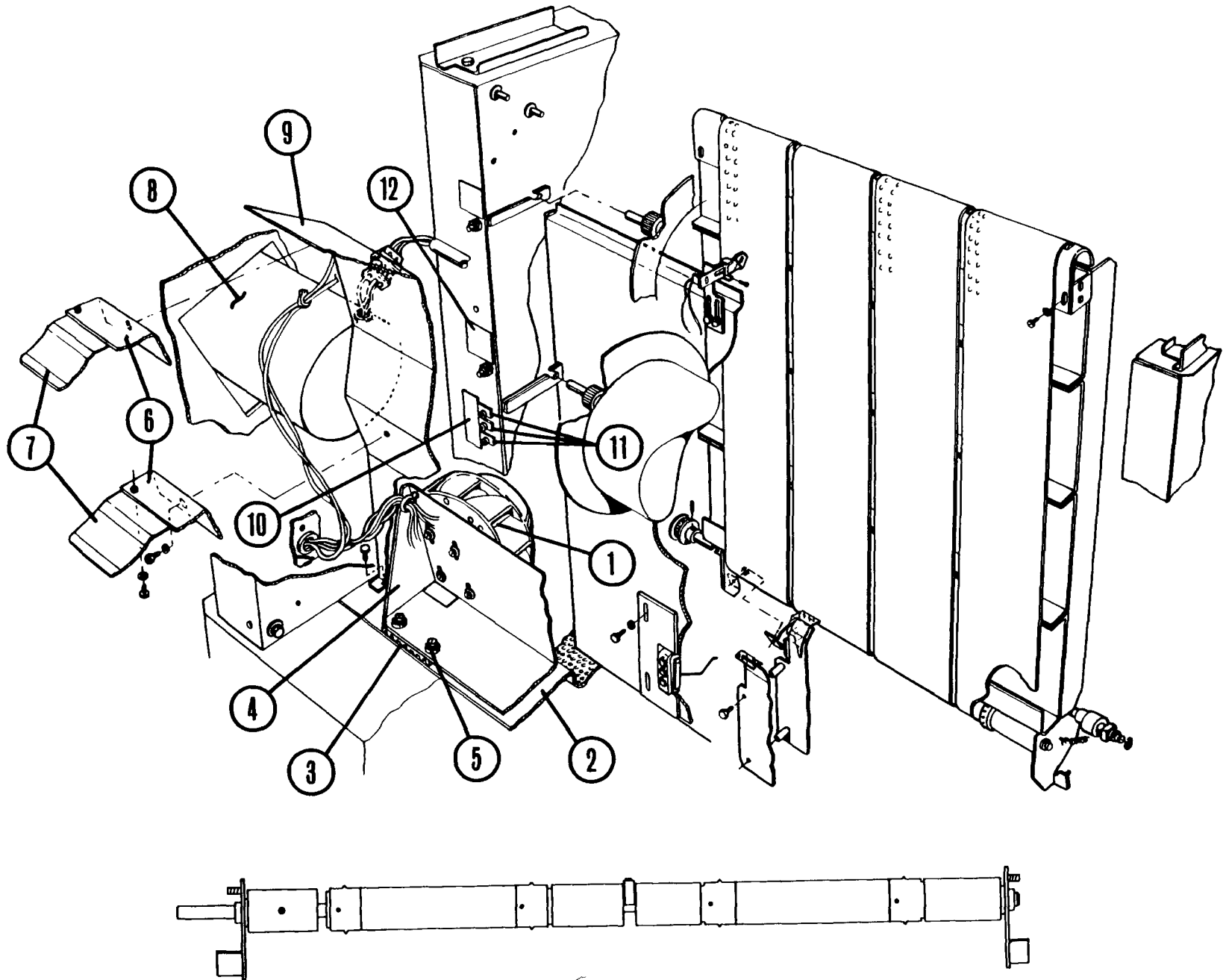
OPTICS ASSEMBLY

Ref.	Description	Part No.	Qty.
---	-----	-----	---
1	Bellows Assembly	20113002	1
2	Machine Screw, 8-32 x 3/8"	H4721	4
	Flat Washer, #8	H1563	4
	Lock Washer, #8	H1551	4
3	Switch Actuator, 100%	20110001	1
4	Machine Screw, 8-32 x 1/4"	H4719	2
	Lock Washer, #8	H1552	2
	Flat Washer, #8	H1563	2
5	Hex Nut, 10-32	H1444	2
	Flat Washer, #10	H1562	2
	Lock Washer, #10	H1552	2
6	Machine Screw, 8-32 x 1/4"	H4719	3
	Lock Washer, #8	H1551	3
	Flat Washer, #8	H1563	3
7	Machine Screw, 10-32 x 3/8"	H4654	2
	Lock Washer, #10	H1552	2
	Flat Washer, #10	H1902	2
8	Cam Follower	09352900	1
	Spacer	03658700	1
	Lock Washer, #10	H1552	1
	Hex Nut, 10-32	H1444	1
9	Guide Rail Assembly	206867	1
10	Machine Screw, 10-32 x 3/8"	H4654	3
	Lock Washer, #10	H1552	3
	Flat Washer, #10	H1562	3



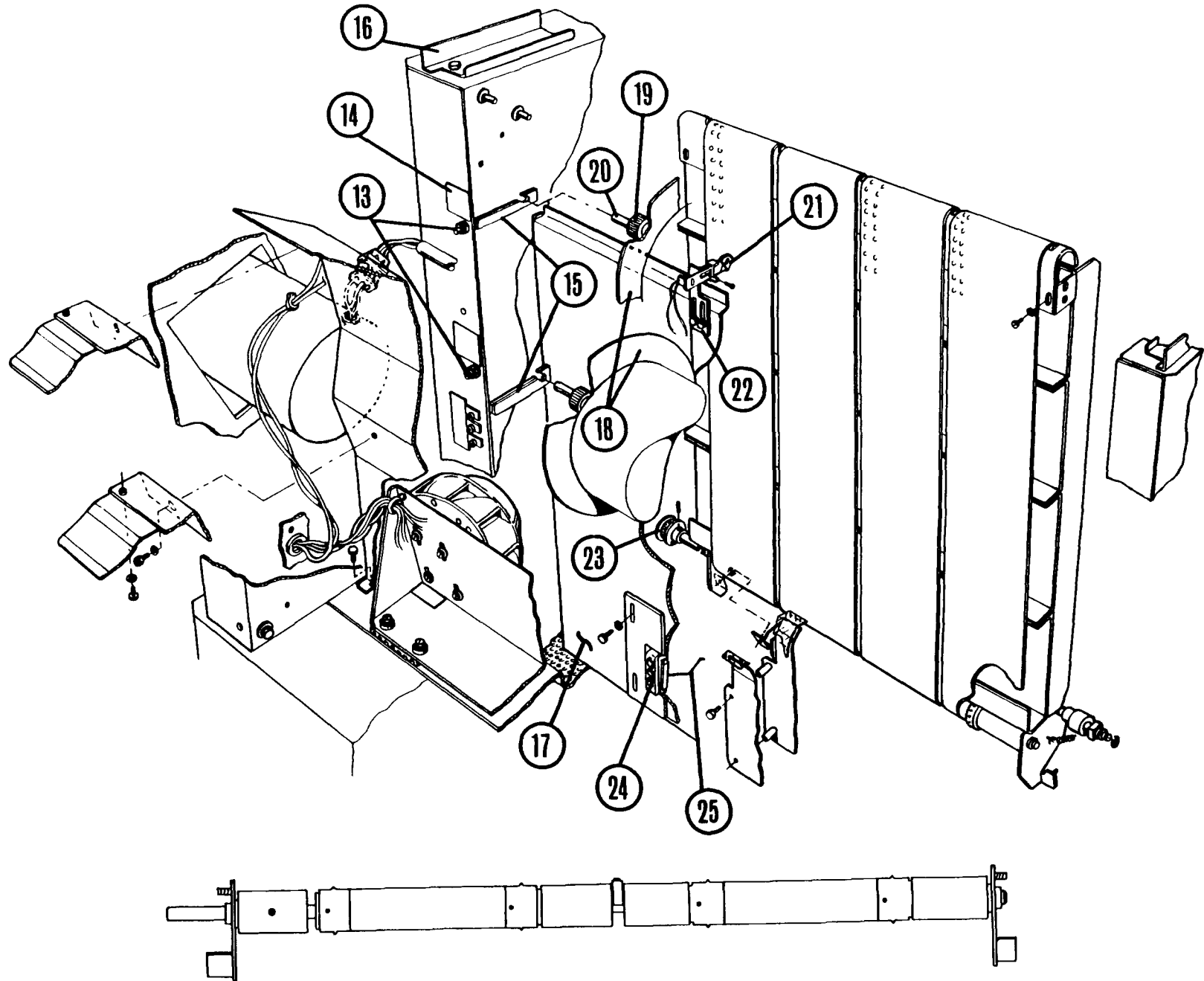
OPTICS ASSEMBLY

Ref.	Description	Part No.	Qty.
---	-----	-----	----
11	Cap Screw, 10-32 x 3/8"	H2732	1
12	Cam Follower Bracket Assy.	20192101	1
13	Hex Nut, 10-32	H1444	2
14	Mirror	20094401	1
15	Tape (cord pad)	PL841900	A/R
16	Machine Screw, 8-32 x 1/4"	H4719	3
	Lock Washer, #8	H1551	3
	Flat Washer, #8	H1563	3
17	Mirror Clip Assembly	20118301	3
18	Lens	20517302	1
19	Allen Screw	H3208	3
20	Machine Screw, 10-32 x 1"	H0657	3
	Lock Washer, #10	H1552	3
	Flat Washer, #10	H1562	3
21	Set Screw, 10-32 x 3/8"	H1164	2
22	Mirror Cam Assembly	20110301	1
23	Hold Down Assembly	20109701	1
24	Stepper Motor Assembly	20093301	1
25	Connector - Plug	40132905	1
26	Gear Rack	20083101	1
27	Ball Slide Assembly	20110101	1
28	Machine Screw, 6-32 x 1/4"	H4701	8
NS	Transmissive Sensor	20065201	1
29	Lens Plate	20384901	1
30	Bushing	09258004	1
31	E-Ring	H9272	1



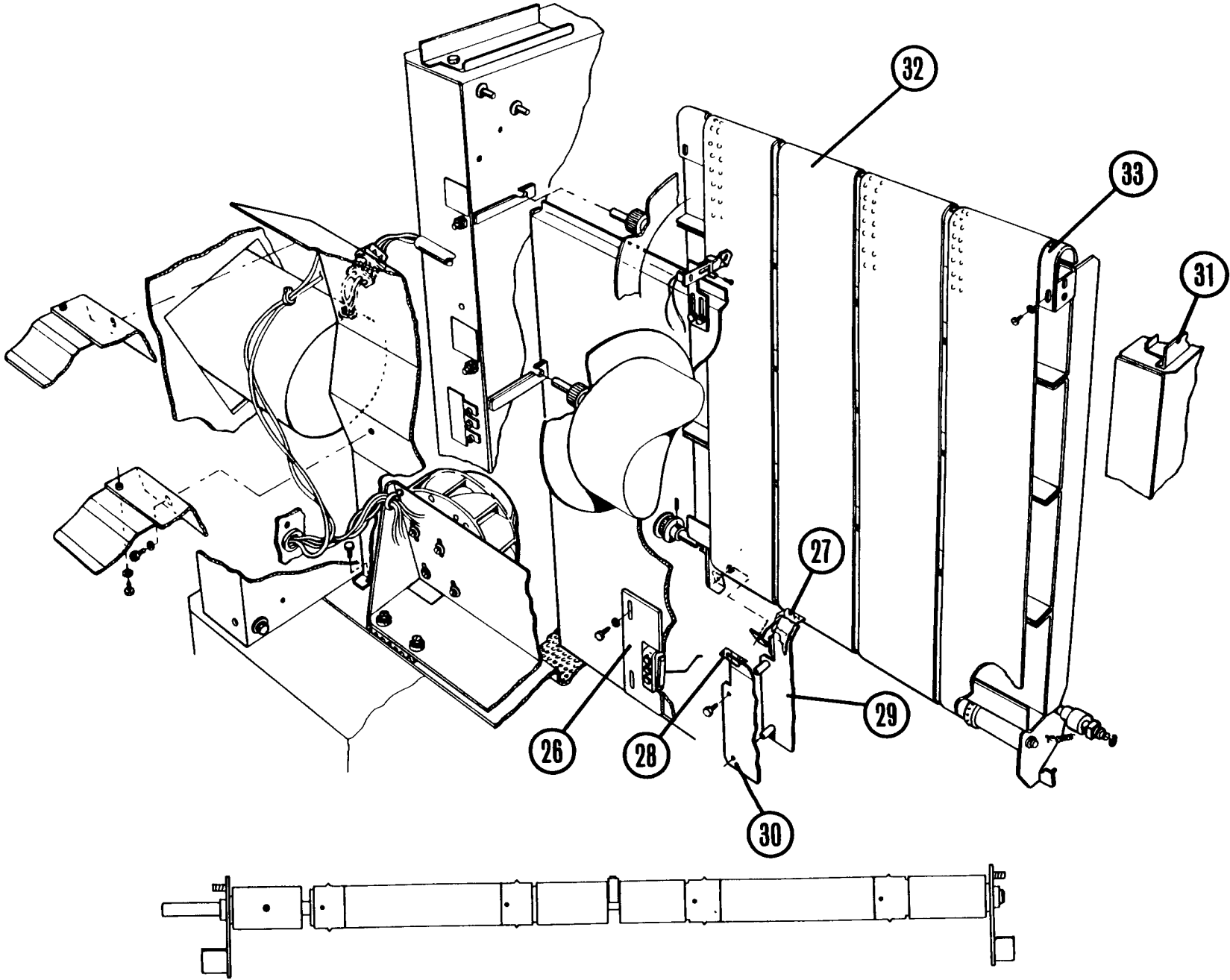
FOCAL PLANE

Ref.	Description	Part No.	Qty.
---	-----	-----	---
1	Blower Assy. 120 VAC	20093401	2
	Screw, #10 metric	H7250	4
	Lock Washer, #8	H1551	4
	Flat Washer, #8	H1563	4
2	Blower Box	21014100	1
3	Isolation Pad	20610301	2
4	Blower Mounting Bracket	21014000	1
5	Vibration Isolator	19803201	4
	Screw, 10-32 x 1"	H6854	4
	Flat Washer, #10	H1560	4
6	Drag Spring Support		2
	Below S/N 677	20981800	2
	Screw, 10-32 x 1/4"	H6850	4
	Drag Spring Support		2
	S/N 677 & Above	21120200	2
	Screw, 10-32 x 3/8"	H6851	8
	Flat Washer, #10	H1560	4
7	Drag Spring	20981700	4
	Screw, 10-32 x 1/4"	H6850	8
	Flat Washer, #10	H1560	8
8	Stepper Motor, D.C.	21071301	1
9	Safety Panel (Below S/N 677)	20983600	1
	Safety Panel (S/N 677 & Above)	21120300	1
	Screw, 10-32 x 1/4"	H6850	2
	Flat Washer, #10	H1569	2
10	Label - Breakers	21060000	1
11	Circuit Breakers, 10 AMP	40121703	3
12	Label - Prefeed Roll 2	20365604	1



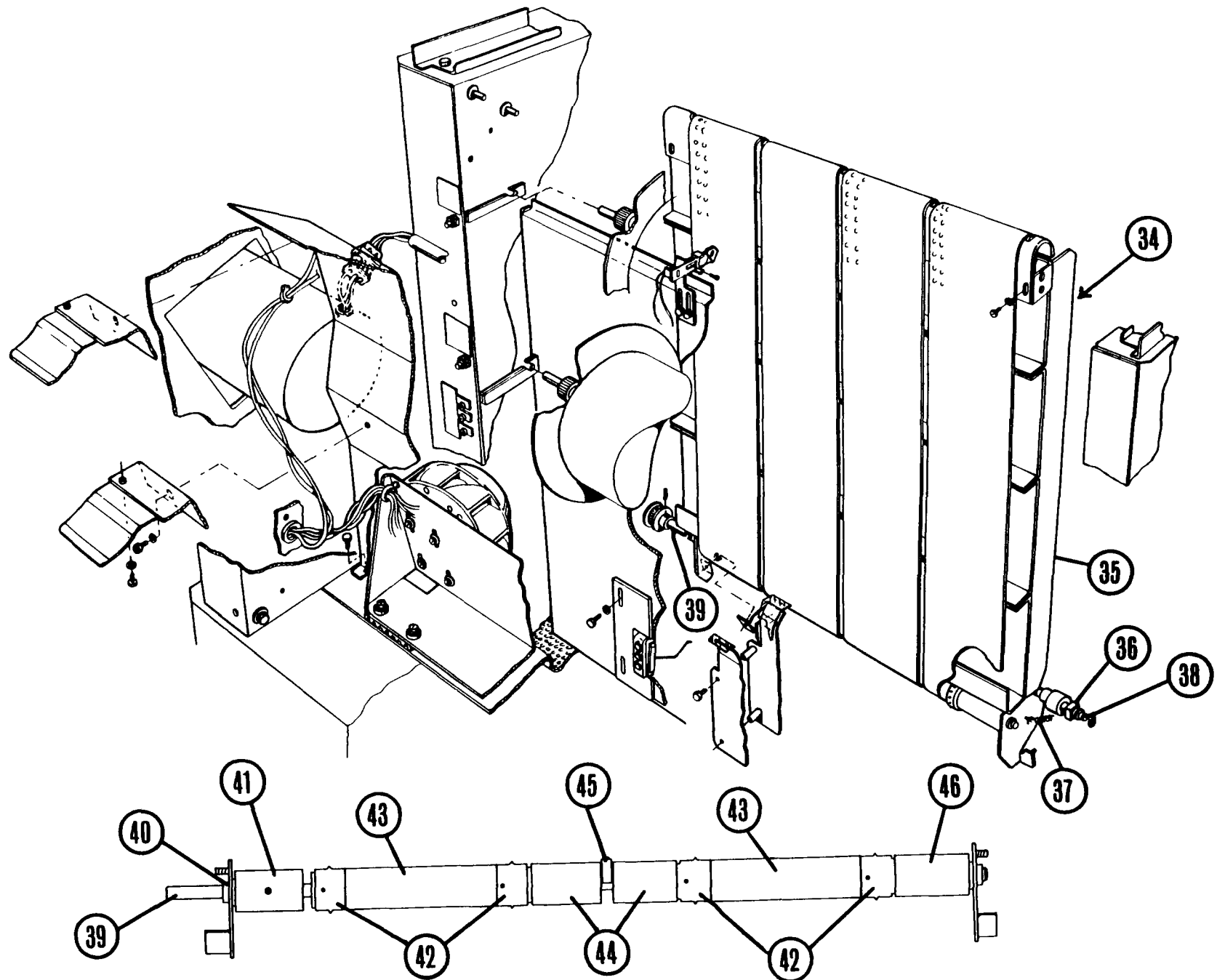
FOCAL PLANE

Ref.	Description	Part No.	Qty.
---	-----	-----	---
13	Switch	09072601	2
14	Label - Prefeed Roll 1	20365603	1
15	Paper Roll Bearing	20292301	8
	Screw, 8-32 x 3/4"	H6845	8
	Lock Washer, #8	H1551	8
	Flat Washer, #8	H1563	8
16	L.S. Top Cover Light Seal	21063900	1
17	Vacuum Back Assy.	20341401	1
18	Spool End	20913900	4
19	Nut	19162901	4
20	Shaft	21073600	2
21	Reflective Sensor	20138201	1
	Screw, 6-20 x 1/4"	H2634	1
22	Bracket, Sensor	20127201	1
	Screw, 8-32 x 3/8"	H6843	2
	Flat Washer, #8	H1563	2
23	Timing Pulley	20983100	1
	Spirol Pin 3/32" x 3/4" (med)	H5093	1
	End Sense Switch Assy.	20293101	1
	(Items 24-26)		
24	Switch	19285001	1
25	Actuator	20150001	1
	Actuator Sleevng	E0189000	1



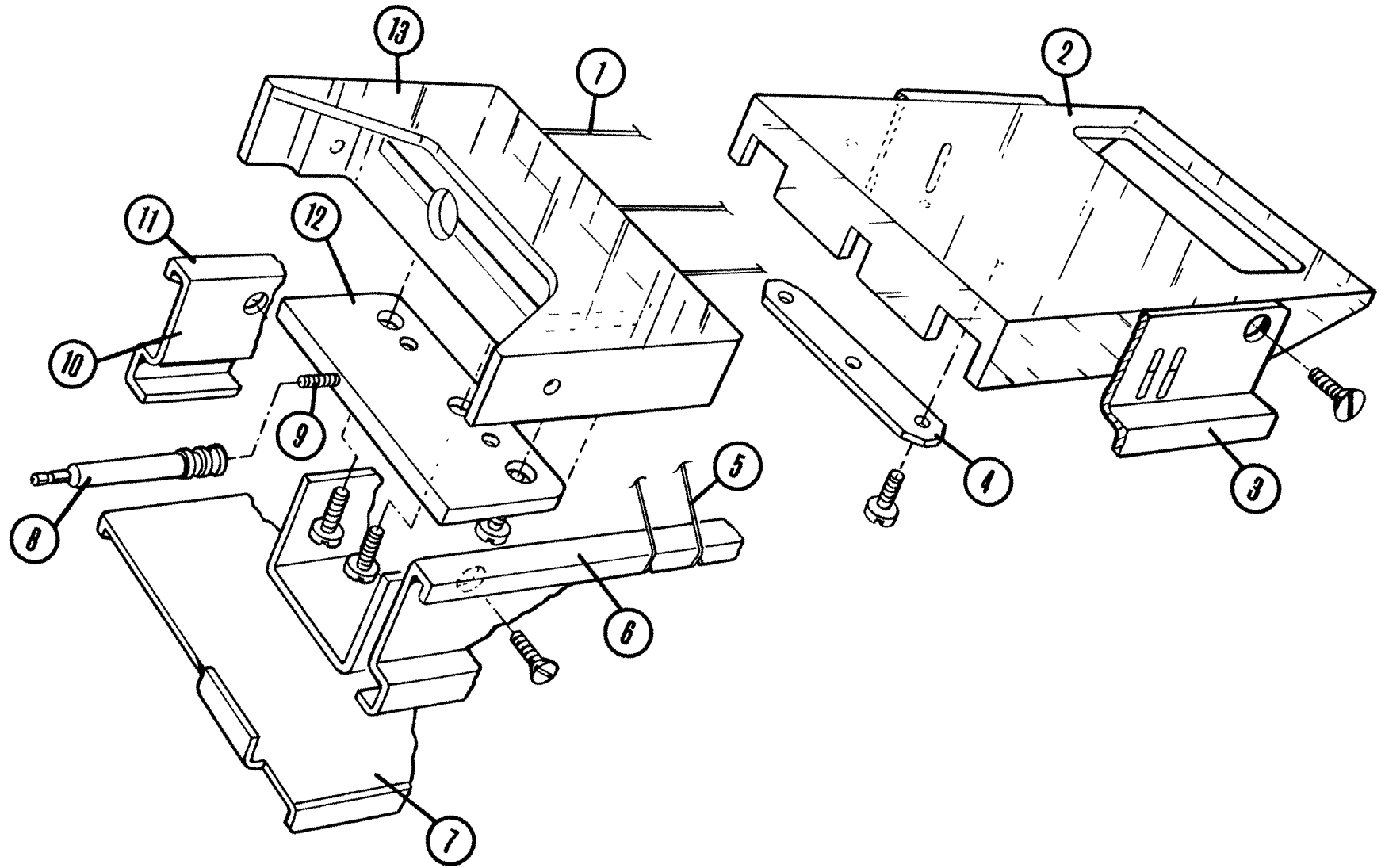
FOCAL PLANE

Ref.	Description	Part No.	Qty.
---	-----	-----	---
26	Switch Bracket Only	20273501	1
	Screw, 4-40 x 3/4"	H5841	2
	Lock Washer, #4	H1557	2
	Flat Washer, #4	H1565	2
27	Mylar Cover Guide	21070100	1
	Tape	40151331	2 ft.
28	Mylar Cover Guide	21070000	1
	Tape	40151331	2 ft.
29	Transition Guide	21014600	1
30	Rear Transition Guide	21014400	1
	Screw, 6-32 x 1/2"	H6838	4
31	H.S. Cover Light Seal	21063800	1
	Platen Assembly	20342103	
	(Items 32 - 46 assembled)		
32	Belt	20503101	4
33	Upper Belt Guide Complete	20318501	1
	Upper Belt Guide Only	20318601	1
	Tape, Teflon, 2" wide	40151359	2 ft.
	Tape, Teflon, 1" wide	44200001	2 ft.
	Screw, 10-32 x 3/8"	H6851	2
	Flat Washer, #10	H1569	2



FOCAL PLANE

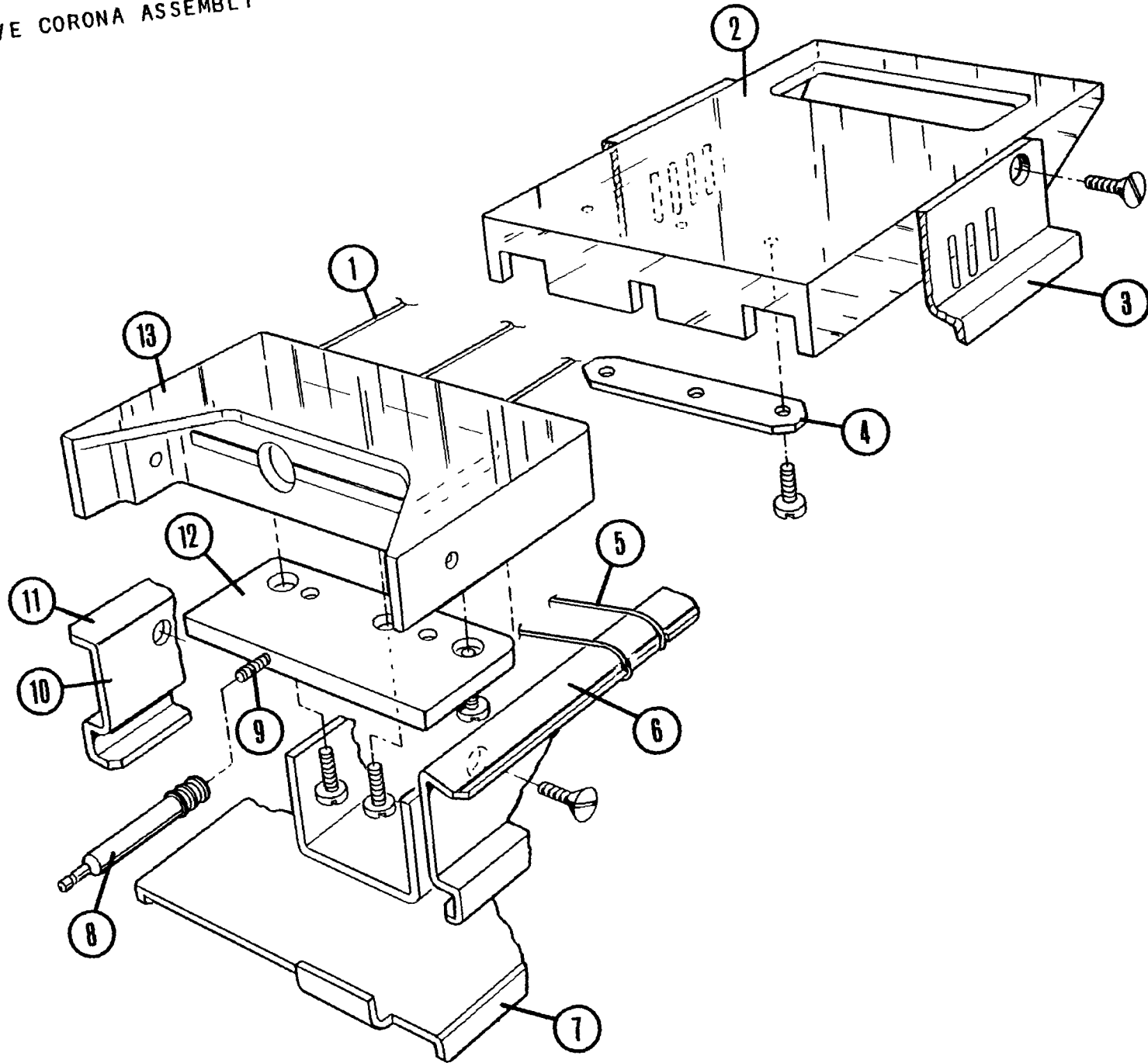
Ref.	Description	Part No.	Qty.
---	-----	-----	---
34	Platen Overlay	20342001	1
	Tape	40151331	10 ft.
35	Platen Assy. Complete	20342103	1
	Platen Only	20341901	1
	Screw, Soc.Hd. Cap 10-32x1/2	H2739	4
36	Bearing	01371601	2
	Retaining Ring	H9331	2
37	Spring, Extension	20177701	2
38	Platen Exit Roller Assy.	21072800	1
	Roller Only	20157901	6
	Shaft Only	21072700	1
	Spirol Pin, 3/32" x 5/8"(med)	H5077	6
39	Shaft, Platen Roller	21068400	1
40	Bearing	09258014	2
41	Roller Segment, Adj.	20318701	1
	Set Screw, 10-32 x 1/4"	H6928	1
42	Sprocket	20180901	4
	Spirol Pin, 3/32" x 7/8"(med)	H5137	4
43	Roller	20203201	2
44	Roller Segment	20318901	2
45	Centering Bearing	20319901	1
	Set Screw, 6-32 x 3/8"	H0774	2
46	Roller Segment	20318801	1



POSITIVE CORONA ASSEMBLY 21047200

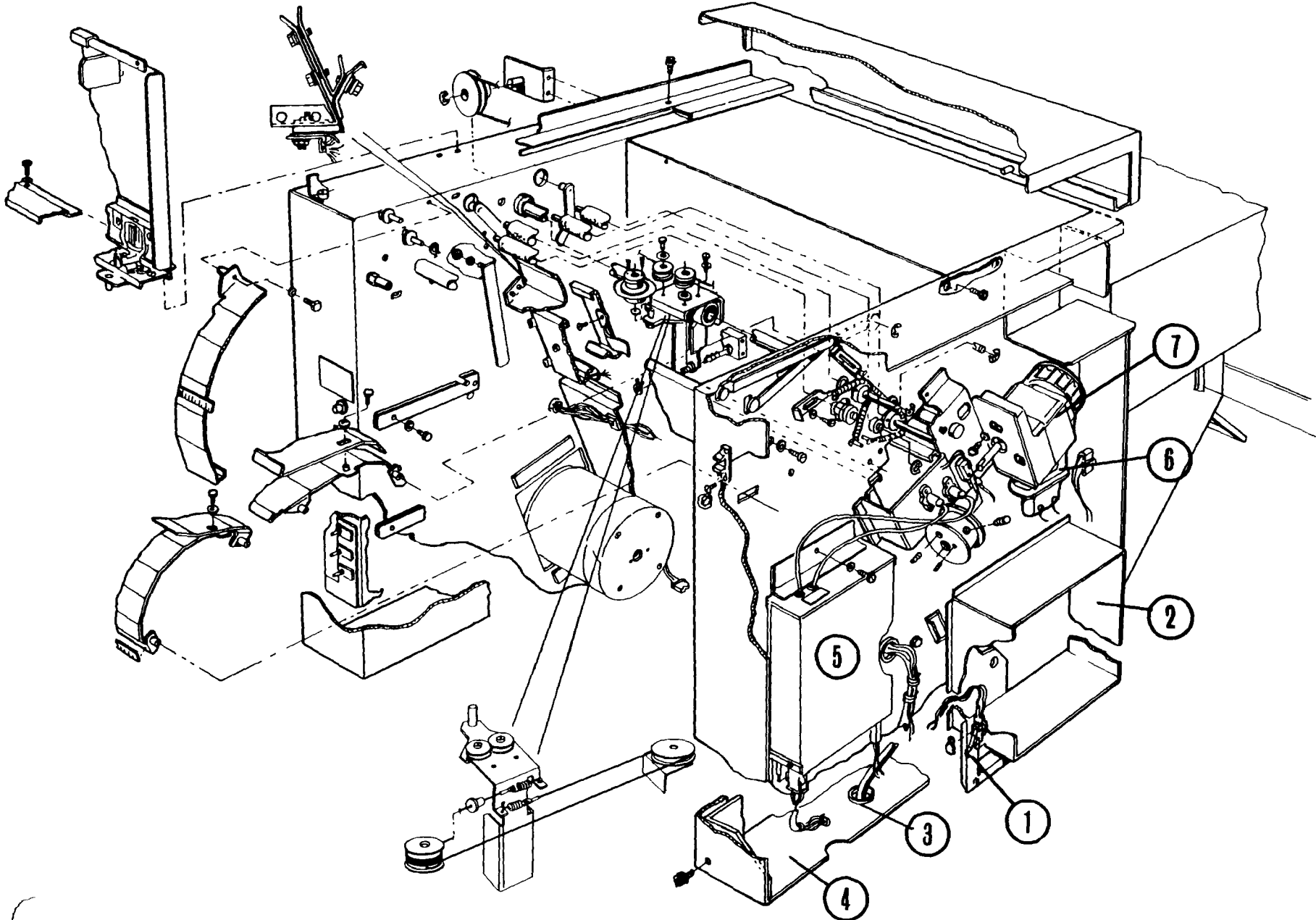
Ref.	Description	Part No.	Qty
---	-----	-----	---
1	Corona Wire	19089701	6 ft.
2	Corona E.B. Handle	21047701	1
3	Lower Pos. Channel	21048100	1
	Screw, 8-32 x 5/16"	H6824	6
4	Clamp Plate	21047600	1
	Screw, Delrin, 8-32 x 5/16"	H6822	3
5	Fish Line	20964002	12 ft.
6	Tape, Teflon, 3/4" wide	40151395	2 ft.
7	Corona Back Weldment	21048000	1
NS	Corona Center Wire Support	21072900	1
8	Connector, High Voltage	21048500	1
9	Set Screw, 6-32 x 1/2"	H1173	1
10	Upper Pos. Channel	21062900	1
11	Tape, Teflon, 3/4" wide	40151395	2 ft.
12	Clamp Plate, Connector Side	21047500	1
	Screw, Delrin, 8-32 x 5/16"	H6822	3
13	Corona E.B. Input	21047801	1
NS	Positive Label	90065500	1

NEGATIVE CORONA ASSEMBLY



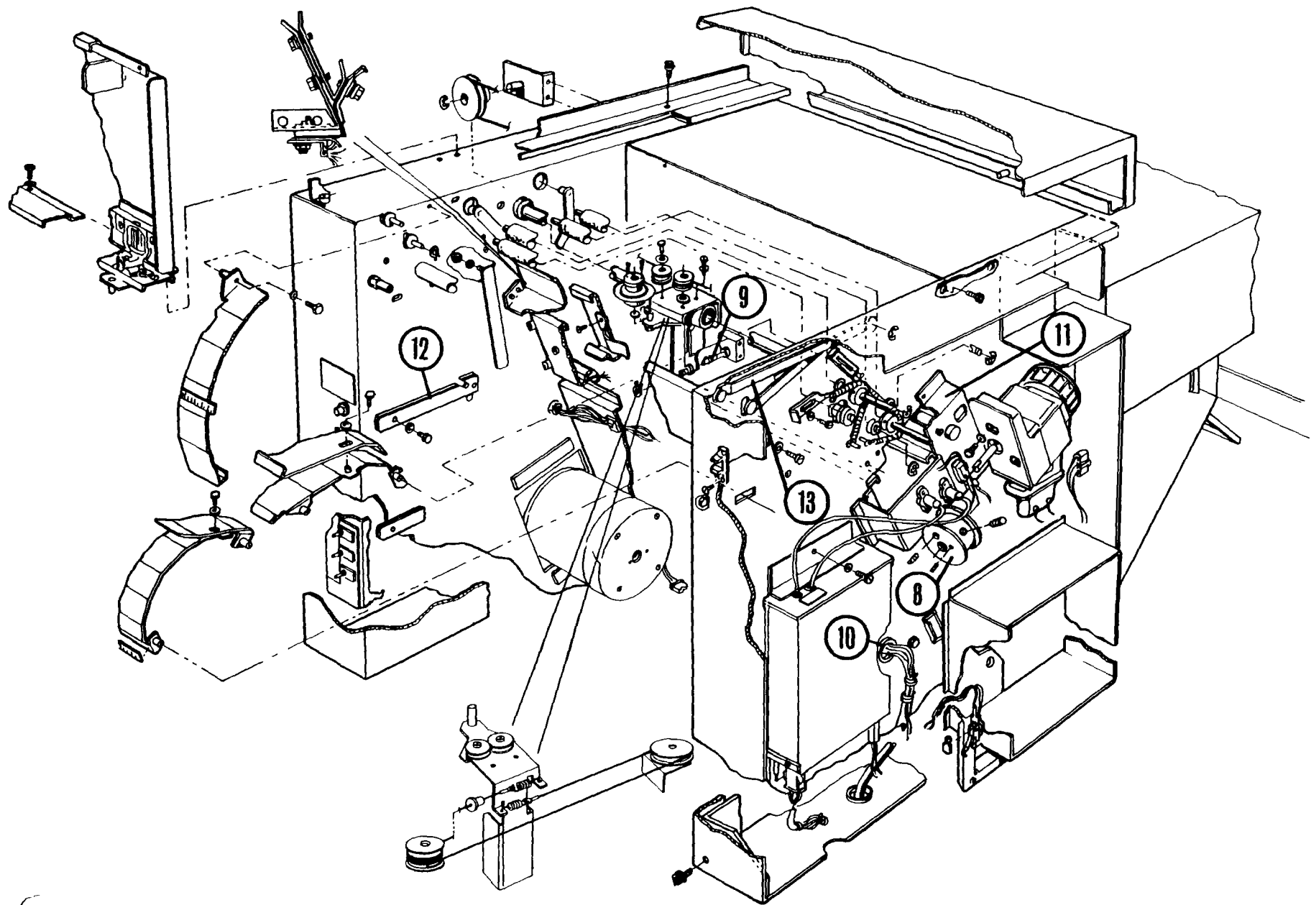
NEGATIVE CORONA ASSEMBLY 21047100

Ref.	Description	Part No.	Qty.
---	-----	-----	---
1	Corona Wire	19089701	6 ft.
2	Corona E.B. Handle	21047701	1
3	Upper Neg. Channel	21048400	1
	Screw, Delrin 8-32 x 5/16	H6824	6
4	Clamp Plate	21047600	1
	Screw, Delrin 8-32 x 5/16	H6822	3
5	Fish Line	20964002	12 ft.
6	Tape, Teflon, 1" wide	40151399	2 ft.
7	Corona Back Weldment	21048000	1
NS	Corona Center Wire Support	21072900	1
8	Connector, High Voltage	21048500	1
9	Set Screw, 6-32 x 1/2	H1173	1
10	Lower Neg. Channel	21047900	1
11	Tape, Teflon 3/4" wide	40151395	2 ft.
12	Clamp Plate - Connector Side	21047500	1
	Screw, Delrin, 8-32 x 5/16	H6822	3
13	Corona E.B. Input	21047801	1
NS	Negative Label	90065600	1



HINGE SIDE PLATE AND KNIFE

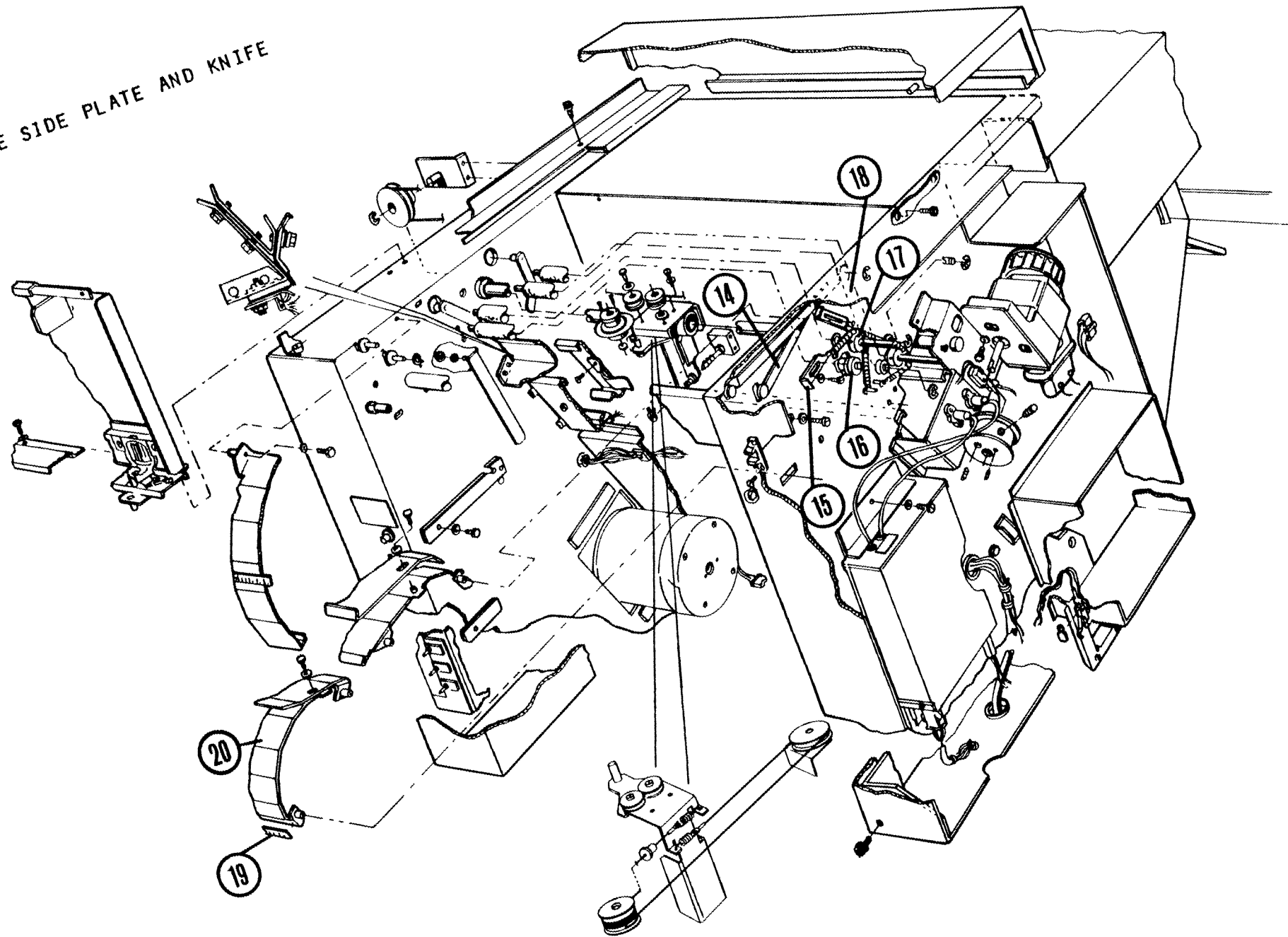
Ref.	Description	Part No.	Qty.
---	-----	-----	----
1	Switch Bracket	21039000	1
	Switch	19057402	1
	Screw, 4-40 x 5/8"	H5855	2
	Lock Washer, #4	H1557	2
	Nut w/Lock Washer, 8-32	H9047	2
	Plain Washer	H1563	2
2	Shroud	20608601	1
	Screw, 10-32 x .375	H6873	4
3	Snap Bushing	40142019	4
4	Mounting Angle H.S.	21125200	1
	Screw. thread forming	H6874	5
5	Corona Power Supply	21055000	1
	Screw, 8-32 x 3/8"	H6843	2
	Lock Washer, #8	H1584	4
6	Capacitor 18 VF, 370 VAC	08700141	1
	Screw, 8-32 x 3/8"	H6843	3
	Plain Washer, #8	H1563	2
	Lock Washer, #8	H1551	2
7	Knife Motor Assembly	21034001	1
	Screw, 8-32 x 1/2"	H6843	3
	Lock Washer, #8	H1551	3
	Plain Washer, #10	H1560	3



HINGE SIDE PLATE AND KNIFE

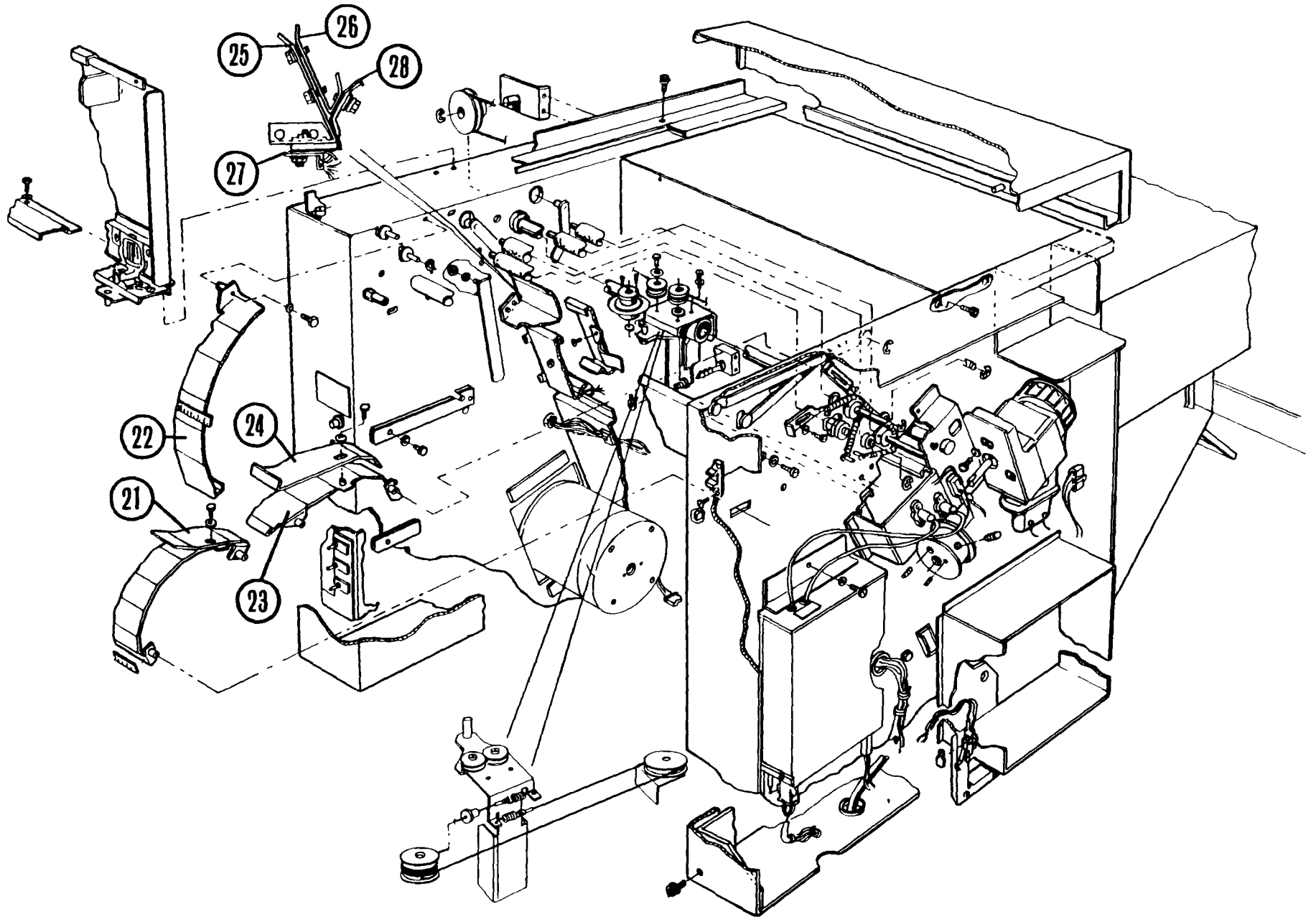
Ref.	Description	Part No.	Qty.
---	-----	-----	---
8	Knife Pulley	20890300	1
	Screw, 8-32 x .50 (cables)	H0769	2
	Screw, 10-32 X 3/8" (shaft)	H1164	1
9	Bearing	02447900	1
	Compression Spring	20314101	1
	Button	20297601	1
	Retaining Ring	H9285	1
10	Bushing	40142012	1
11	Knife Extension Bracket	21018200	1
	Screw, 8-32 x 1/2"	H6843	4
	Lock Washer, #8	H1551	4
	Plain Washer, #10	H1560	4
12	Paper Roll Bearing	20292301	4
	Screw, 8-32 x 1/2"	H6844	4
	Lock Washer, #8	H1551	4
	Plain Washer, #8	H1563	4
13	Pull Lever, Upper Roller	21062000	1
	Washer	40152478	4
	Retaining Ring	H9286	4
	E Clip	H9331	4

HINGE SIDE PLATE AND KNIFE



HINGE SIDE PLATE AND KNIFE

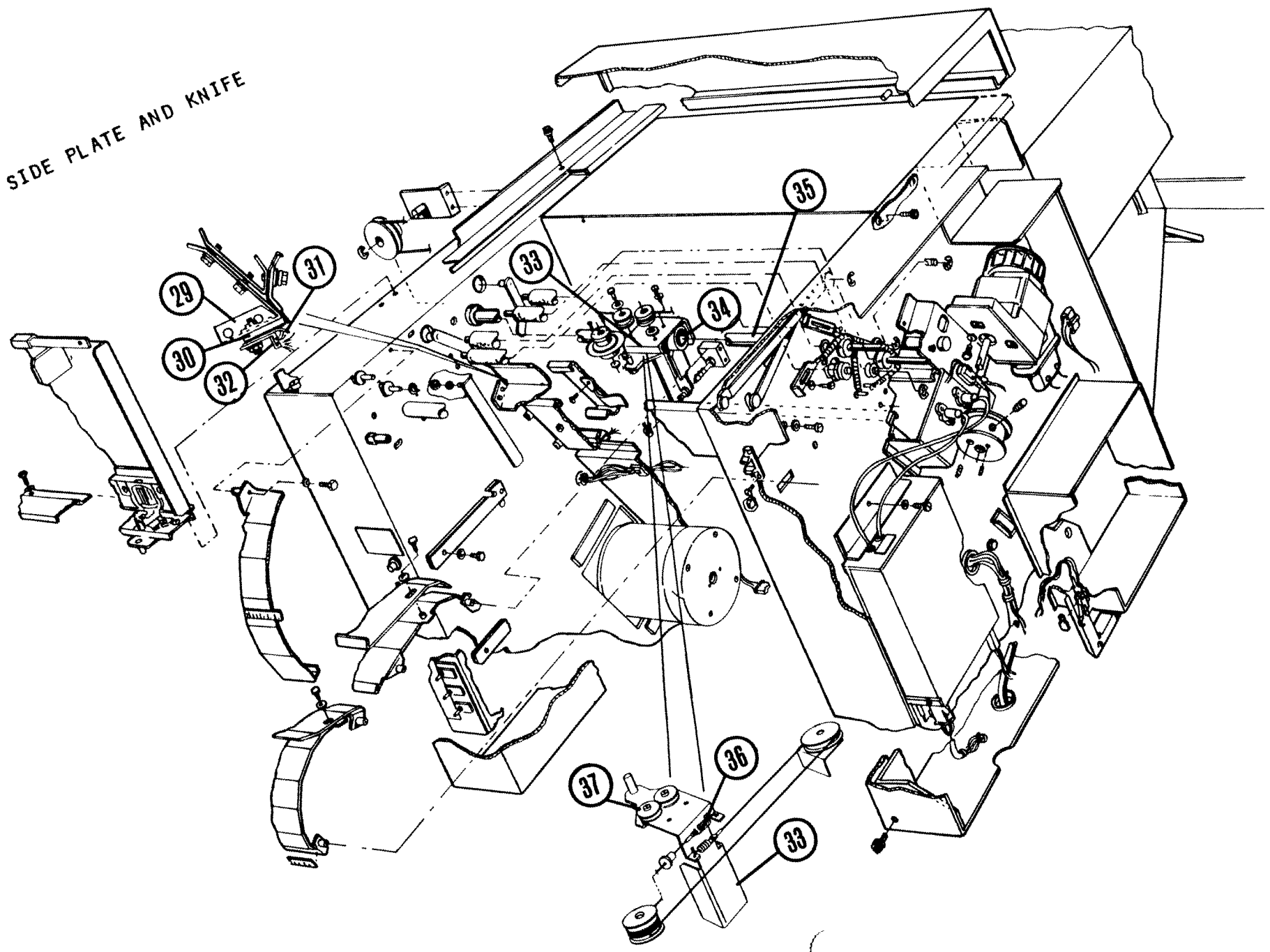
Ref.	Description	Part No.	Qty.
---	-----	-----	---
14	Lower Pull Link	21062500	1
	Washer	40152478	4
	Retaining Ring	H9286	4
	E Clip	H9331	4
15	Bracket Spring Tensioner	21048900	2
	Spring	40149712	2
	Screw, 8-32 x 1/4"	H6848	4
	Lock Washer, #8	H1551	4
	Plain Washer, #8	H1563	4
16	Bushing	21065500	2
	Bearing	06739200	2
17	Bearing O Ring	21016300	1
	Collar	08910600	1
18	LH Upper Roller Lift Lever	21049600	1
	Washer	40152478	2
NS	LH Lower Roller Lift Lever	21062400	1
	Washer	40152478	2
	Retaining Ring	H9331	2
19	Scale	19047408	2
20	Lower Guide Back Side	21075300	1
	Reflective Sensor (No Mat'l)	21033800	1
	Sensor Bracket	21015100	1
	Wire Tie	E0230702	1



HINGE SIDE PLATE AND KNIFE

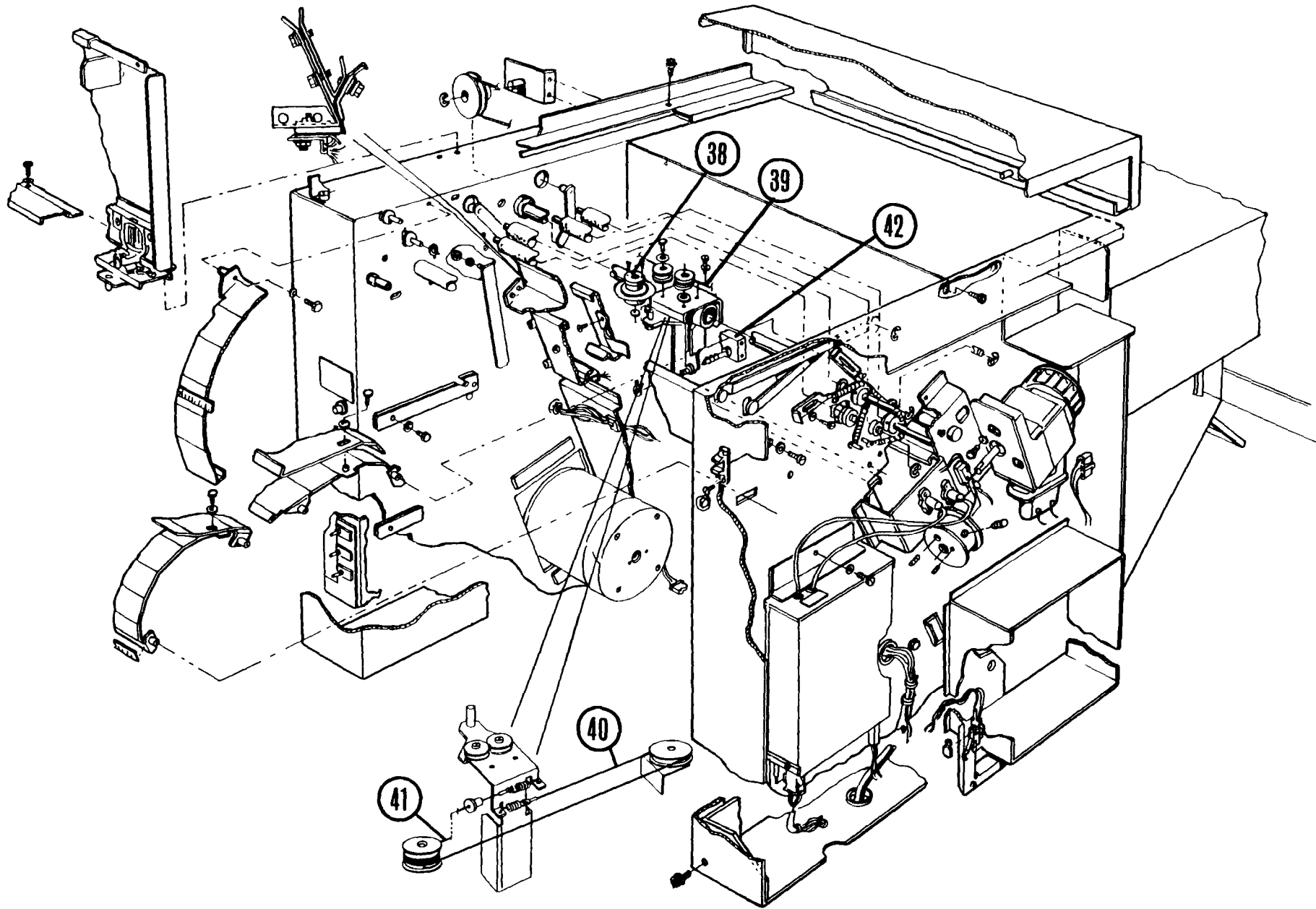
Ref.	Description	Part No.	Qty
---	-----	-----	---
21	Lower Guide Front Side	21049100	1
	Screw, 10-32 x 3/8"	H6851	4
	Lock Washer, #10	H1552	4
	Plain Washer, #10	H1560	4
22	Roller Input Guide	21075400	1
	Bumper	19837301	4
23	Upper Guide Back Side	21075200	1
	Reflective Sensor (No Mat'l)	21033800	1
	Sensor Bracket	21015100	1
	Wire Tie	E0230702	1
24	Upper Guide Front Side	21049300	1
	Screw, 10-32 x 3/8"	H6851	4
	Lock Washer, #10	H1552	4
	Plain Washer, #10	H1560	4
25	Knife Guide	21017400	1
	Lower Knife Guide Mylar	21073000	1
26	Center Merge Guide	21048700	1
	Screw, 10-32 x 1/4"	H6850	6
	Lock Washer, #10	H1552	6
27	Stationary Knife Clamp Plate	21036100	1
28	Upper Merge Guide	21048600	1
	Guide, Mylar	21066500	1
	Set Screw, 8-32 x .18	H1186	2

HINGE SIDE PLATE AND KNIFE



HINGE SIDE PLATE AND KNIFE

Ref.	Description	Part No.	Qty.
---	-----	-----	---
29	Knife Guide	21017400	1
30	Stationary Knife	21072600	1
31	Corona Guide	21036000	1
32	Static Eliminator Brush	21046900	1
	Fiber Washer	21017301	3
	Nut, 10/32	H9048	3
33	Rotary Knife Bracket	21118600	1
34	Bearing Rod	20311801	1
	Screw, 8/32 x 1/4"	H6848	2
	Washer, #8	H1563	2
	Lock Washer, #8	H1551	2
35	Knife Carrier Shaft	21062800	1
36	Extension Spring	19651401	2
37	Pulley	20297701	1
	Screw, 6-32 x 3/8"	H6837	2
	Plain Washer, #6	H1564	2
	Lock Washer, #6	H1550	2



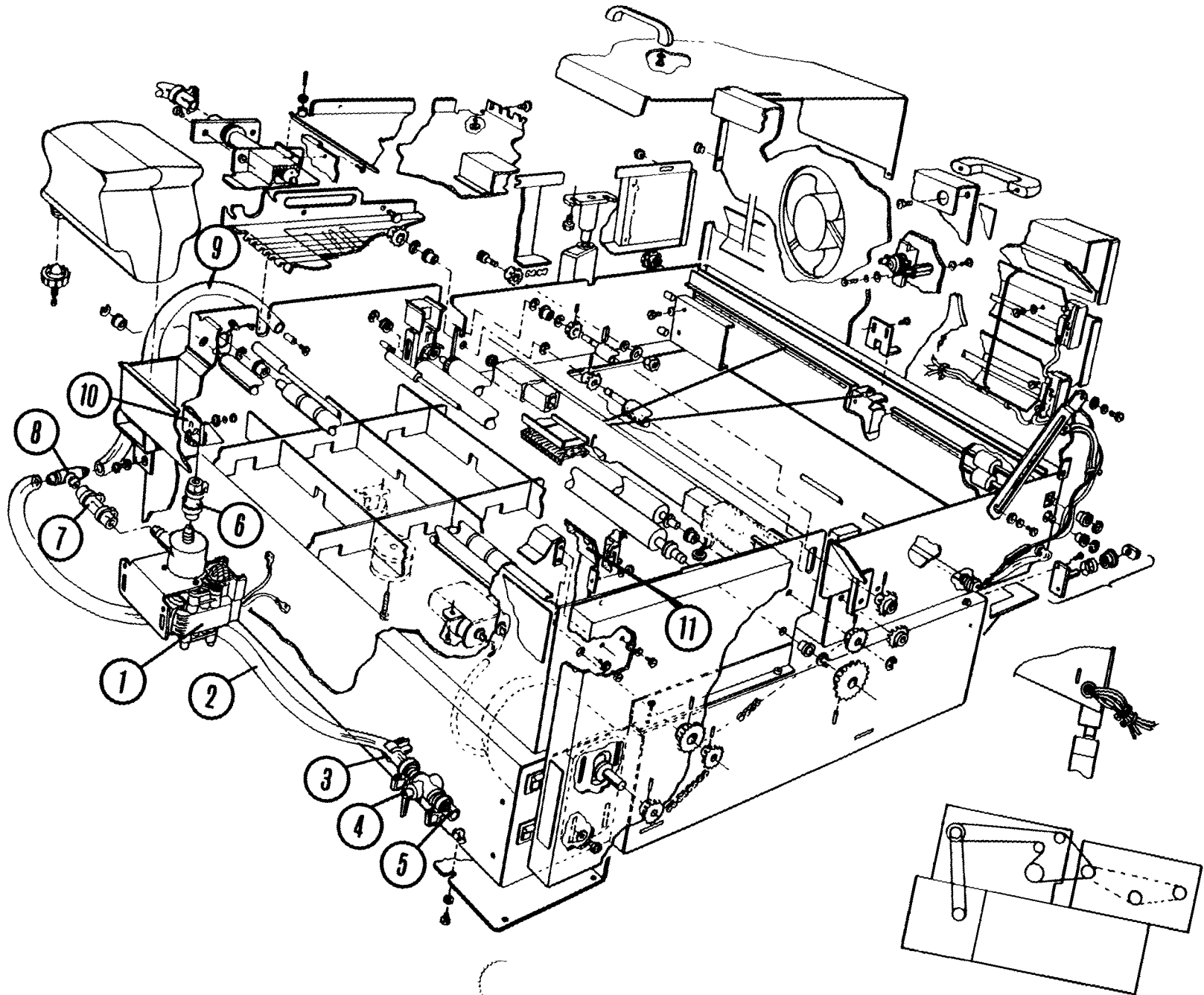
HINGE SIDE PLATE AND KNIFE

Ref.	Description	Part No.	Qty.
---	-----	-----	---
38	Knife Hub	21018500	1
	Knife Disc Clamp Plate	21019400	1
	Knife Disc	21062700	1
	Bearing Sleeve	09455400	1
	Bearing, Thrust	40140902	1
	Screw, 4-40 x 1/2"	H5863	2
	Locking Washer, #4	H1557	2
39	Rotation Cable	21066400	1
40	Knife Cut Cable (48 1/8") to latch side	21133100	1
41	Knife Return Cable (29 1/2") to hinge side	21133200	1
	Knife Cable Spacer	21118700	1
42	Knife Button Side Rail	21017800	1
	Screw, 10-32 x 1/2"	H6852	4
	Lock Washer, #10	H1552	4
	Plain Washer, #10	H1560	4
43	Material Feed Roller	20983200	4
44	Bumper	20305401	2
45	Tubing	40161748	1 1/4
	Screw, 1/4-20 x 3/4"	H0594	2
	Nut	H1443	2
	Lock Washer	H1553	2



Jammie

20577001

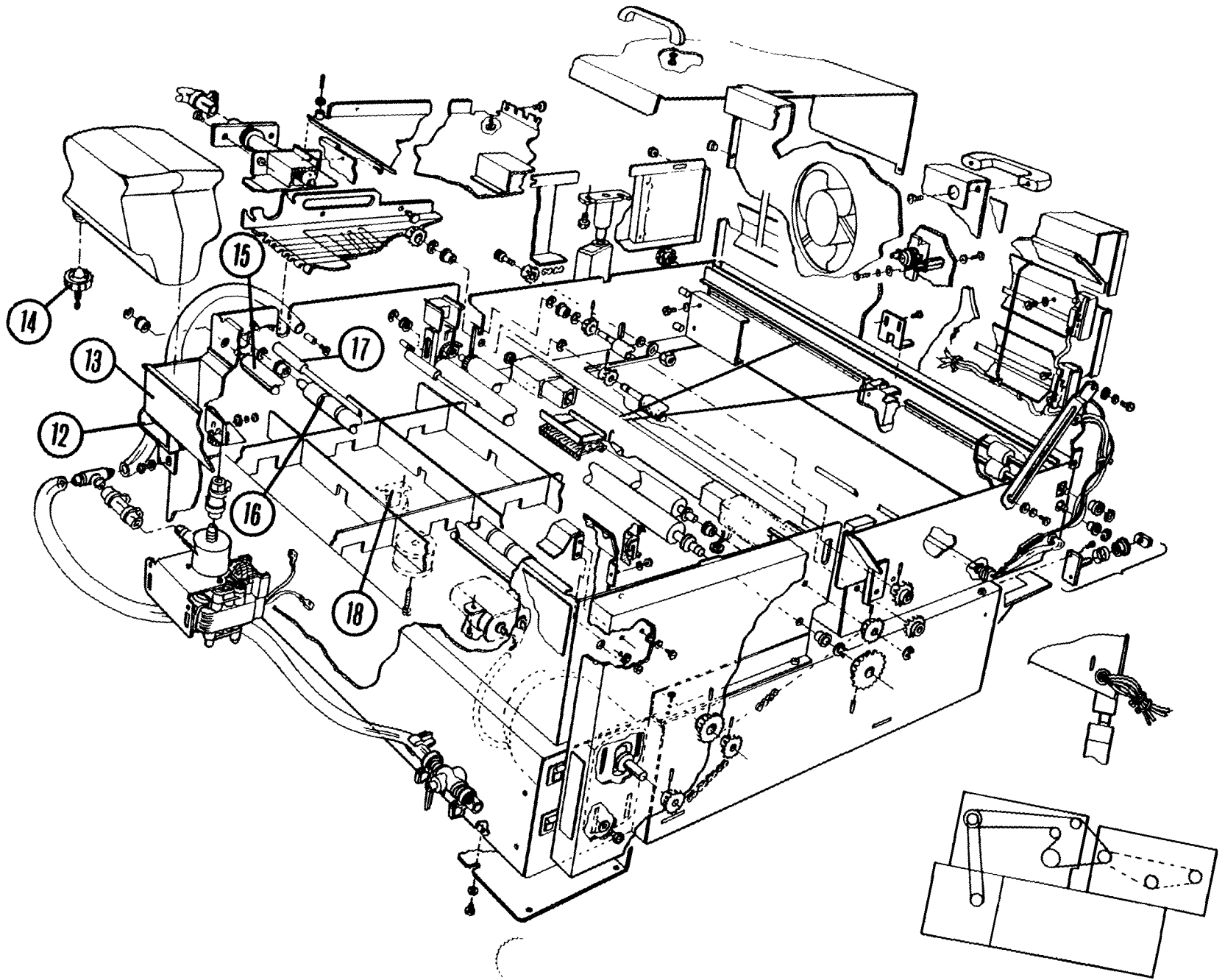


909-
LM 735-0285

PROCESSOR/FUSER ASSEMBLY 20957700

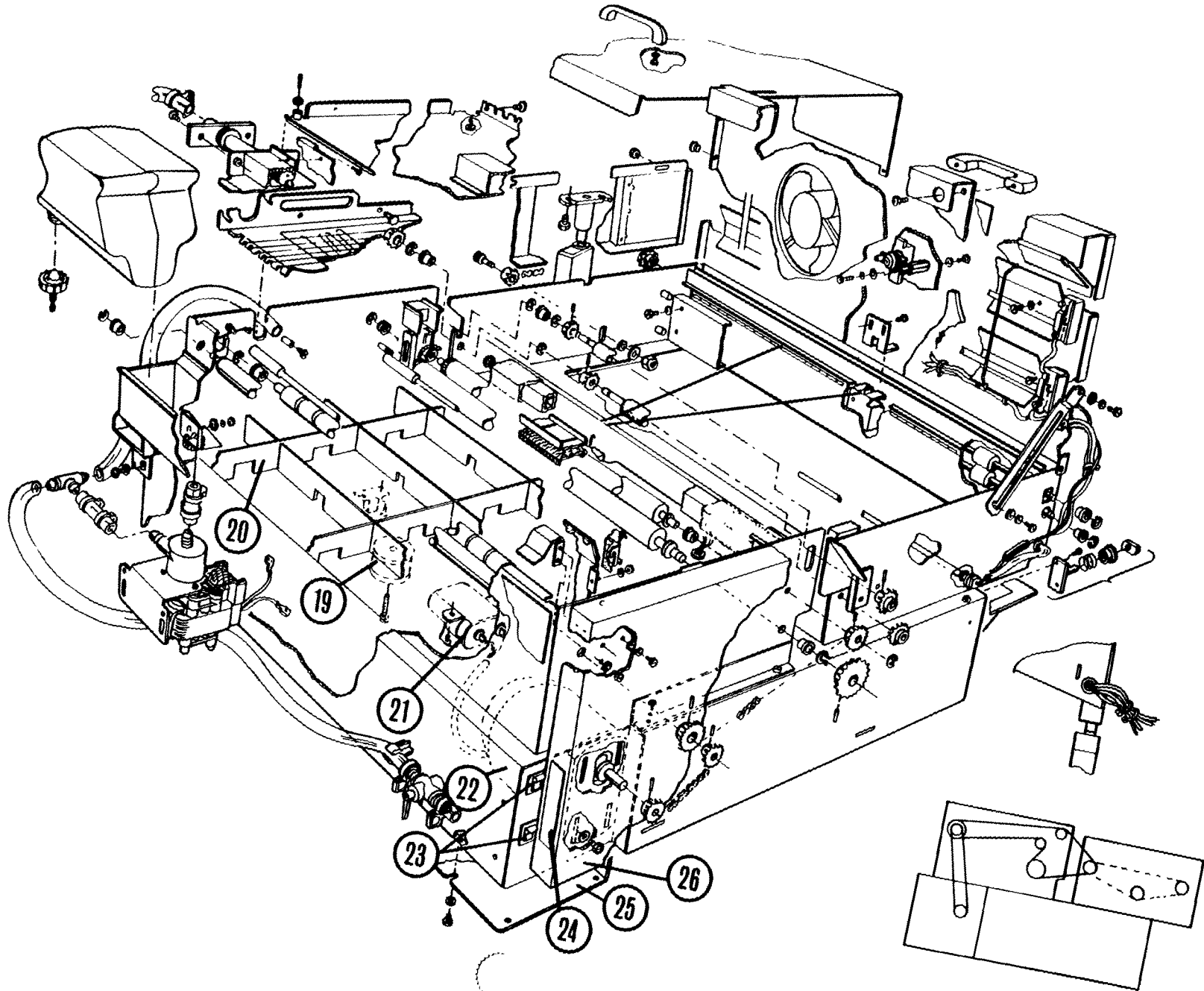
OPE
ELIMINATOR BRACKET
POT
167240

Ref.	Description	Part No.	Qty.
---	-----	-----	---
1	Recirculation Pump	20981400	1
	Nut, 8-32	H9041	2
	Flat Washer	H1902	2
2	Hose, 25"	40161723	3 ft.
	Hose Clamp	40143909	2
3	Hanger	21060900	1
	Screw, 8-32 x 3/4"	H6845	1
4	Valve	21061000	1
5	Hose, 3"	40161723	1 ft.
	Clamp	40143909	1
6	Hose, 1.5"	40161723	1 ft.
	Clamp	40143909	2
7	Hose, 3.5"	40161723	1 ft.
	Clamp	40143909	2
8	Tee Fitting	21022300	1
9	Hose, 10"	40161723	1 ft.
	Elbow, 90° (S/N 677 & Above)	21180800	1
	Clamp	40143909	2
10	Vortex Eliminator Bracket	21044800	1
	Nut, 10-32	H9042	1
	Flat Washer, #10	H1560	1
	Screen, Tubular	20981600	1
11	Input Guide, Bolt-On	20957800	1
	Mylar Cover	21112000	1
	Tape	40151331	6 ft.
	Nut, 10-32	H9042	2
	Lock Washer	H1560	2



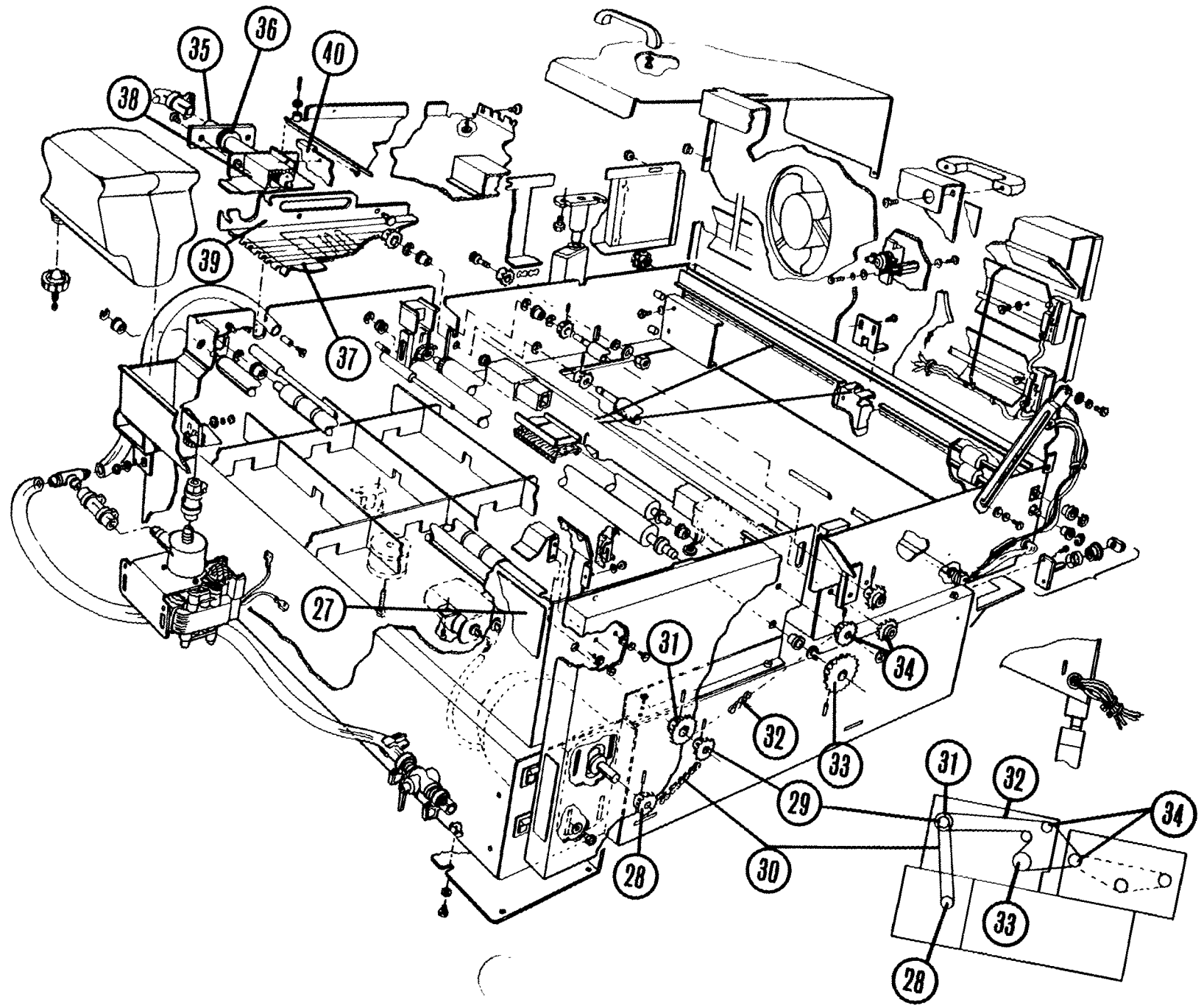
PROCESSOR/FUSER ASSEMBLY 20957700

Ref.	Description	Part No.	Qty.
---	-----	-----	----
12	Hose Cover	21064900	1
	Screw, 10-32 x 3/8"	H6873	2
	Flat Washer, #10	H1560	2
13	Processor Tank Weldment		
	(Below S/N 677)	20962100	1
	(S/N 677 & Above)	21163300	1
	Screw, 10-32 x 1/2"	H6852	4
	Lock Washer, #10	H1552	4
	Flat Washer, #10	H1560	4
14	Feeder Valve	19722701	1
15	Grit Roller (Below S/N 677)	20965900	1
	Grit Roller (S/N 677 & Above)	21181100	1
	O-Ring	40148028	2
	Bearing	20960300	2
	Retaining Ring (grip)	H9288	1
	Retaining Ring (E-clip)	H9330	1
16	Segmented Roller	21117700	1
	Bearing	06739200	2
	Spring	06884300	2
	Shaft	20960100	1
	Segments	20959900	5
	Spirol Pin	H5093	5
17	Applicator Support Rod		
	(Below S/N 677)	21058300	2
	(S/N 677 & Above)	21165600	1
	Tubing, .381 I.D. - .062 WL	40161712	6"
	Tubing, .381 I.D. - .125 WL	40161725	A/R
	Screw, 10-32 x 1/2"	H6852	4
	Lock Washer, #10	H1552	4
	Flat Washer,	H1902	4
	Permatex Gasket, Ultra Blue	40143550	A/R
18	Triac	20118201	1
	Nut, 6-32	H9040	2
	Thermal Compound (heat sinc)	H8337	A/R



PROCESSOR/FUSER ASSEMBLY 20957700

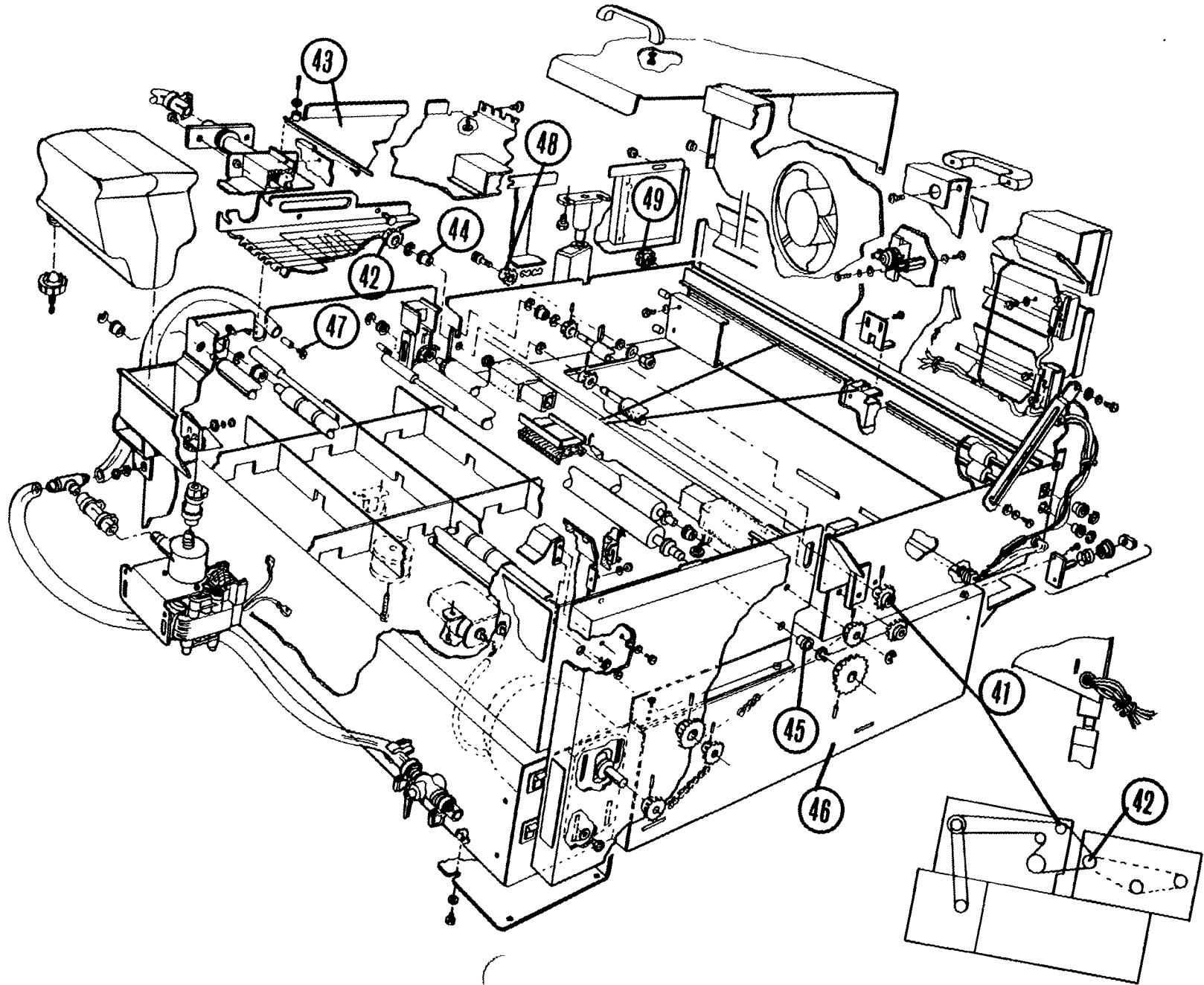
Ref.	Description	Part No.	Qty.
---	-----	-----	---
19	Choke	20508801	1
	Screw, 10-32 x 1 3/8"	H3220	1
20	Baffle Assy. Weldment	21015200	1
21	Capacitor	08700128	1
	Screw, 8-32 x 3/8"	H6843	2
	Lock Washer, #8	H1551	2
22	Motor Assembly	21022701	1
	Screw, 10-32 x 1"	H6854	4
	Lock Washer, #10	H1552	4
	Flat Washer, #10	H1560	4
23	Switch	09067805	2
24	Label, Pump/Processor	21059600	1
25	Cover	21045100	1
	Screw, 10-32 x 1/2"	H6852	2
	Flat Washer, #10	H1560	4
	Nut, 6-32	H9040	2
	Snap Bushing	40142018	1
	Lock Washer, #10	H1552	2
26	Chain Guard (Below S/N 677)	21045700	1
	Chain Guard (S/N 677 & Above)	21164200	1
	Screw, 10-32 x 3/8"	H6851	2
	Lock Washer, #8	H1551	2



PROCESSOR/FUSER ASSEMBLY 20957700

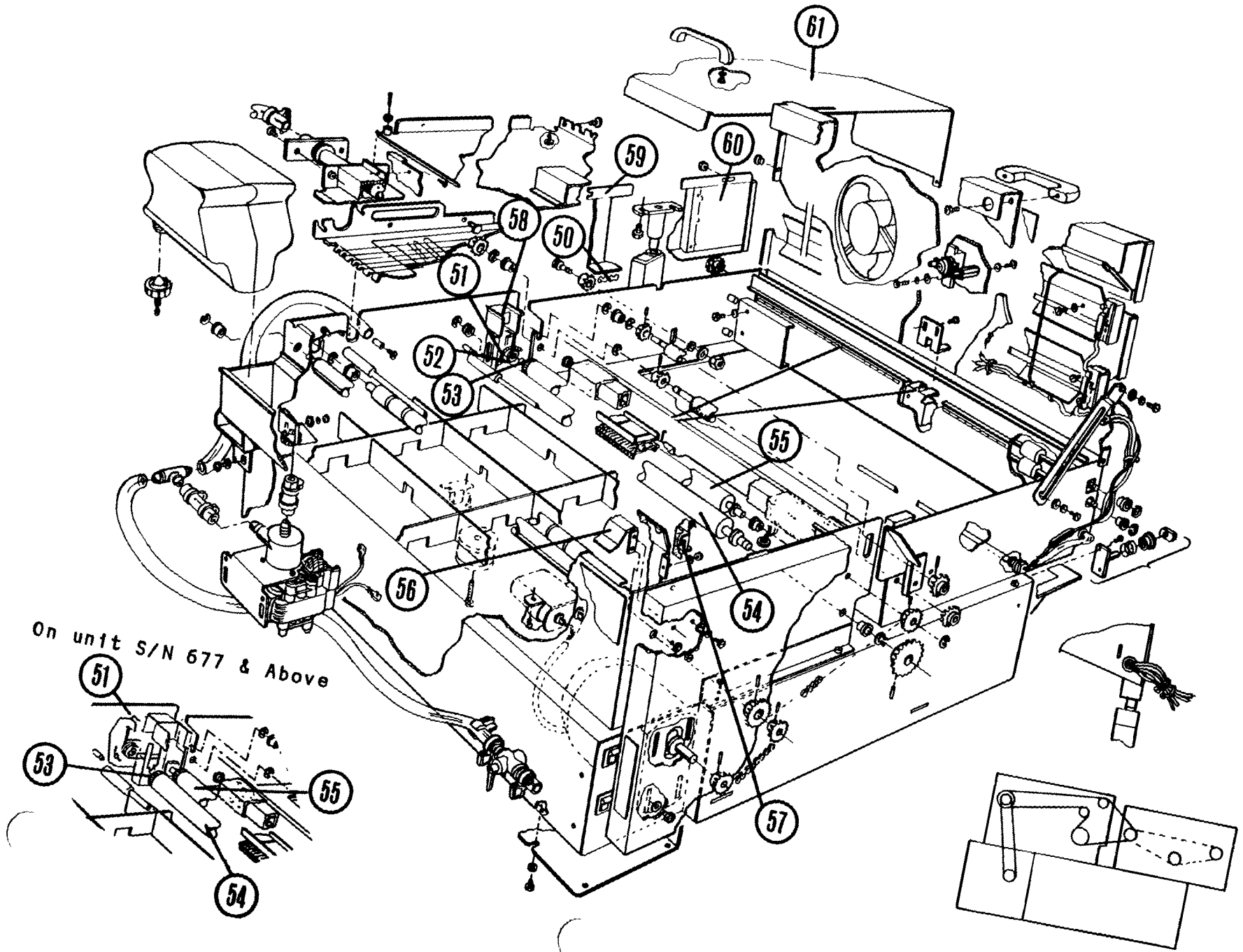
Ref.	Description	Part No.	Qty.
---	-----	-----	----
27	Label, Toner Replenish	21022800	1
28	Sprocket, 13T	40150825	1
	Screw, 10-32 x 1/4"	H1140	2
*29	Sprocket, 16T (60Hz)	40150829	A/R
	Screw, 10-32 x 3/165"	H6912	2
	Sprocket, 13T (50Hz)	40150828	A/R
30	Chain	40144803	1
*31	Sprocket, 14T plastic	40150826	1
	Sprocket, 14T metal (set screw)	4015083	1
	Screw, 10-32 x 3/16"	H6912	2
	Spirol Pin, 3/32"x 3/4" (med)	H5134	1
32	Chain	40144802	1
33	Sprocket, 20T	40150827	1
	Spirol Pin, 3/32"x 1" (heavy)	H5091	1
34	Sprocket, 14T	40150826	2
	Spirol Pin, 3/32"x 3/4" (med)	H5134	2
35	Tube Assembly	20958400	1
36	O-Ring	40148026	1
37	Fish Line	20964000	8 ft.
38	Applicator Manifold	20957900	1
	Screw, 8-32 x 3/8"	H0147	2
39	Lower Applicator (round holes) (2 piece assembly)	21125100	1
	Lower Applicator (round holes) (one piece)	21168300	1
	Lower Applicator (grooved)	20959100	1
	Push Button Tie Mount	20133301	4
40	Manifold Gate	20958300	1
	Screw, 6-32 x 1/4"	H6836	3
	Lock Washer, #6	H1550	3
	Flat Washer, #6	H1563	3

* On unit S/N 677 & Above the 50Hz/60Hz sprockets and the motor driven sprocket are interchanged on the shaft (not as shown).



PROCESSOR/FUSER ASSEMBLY 20957700

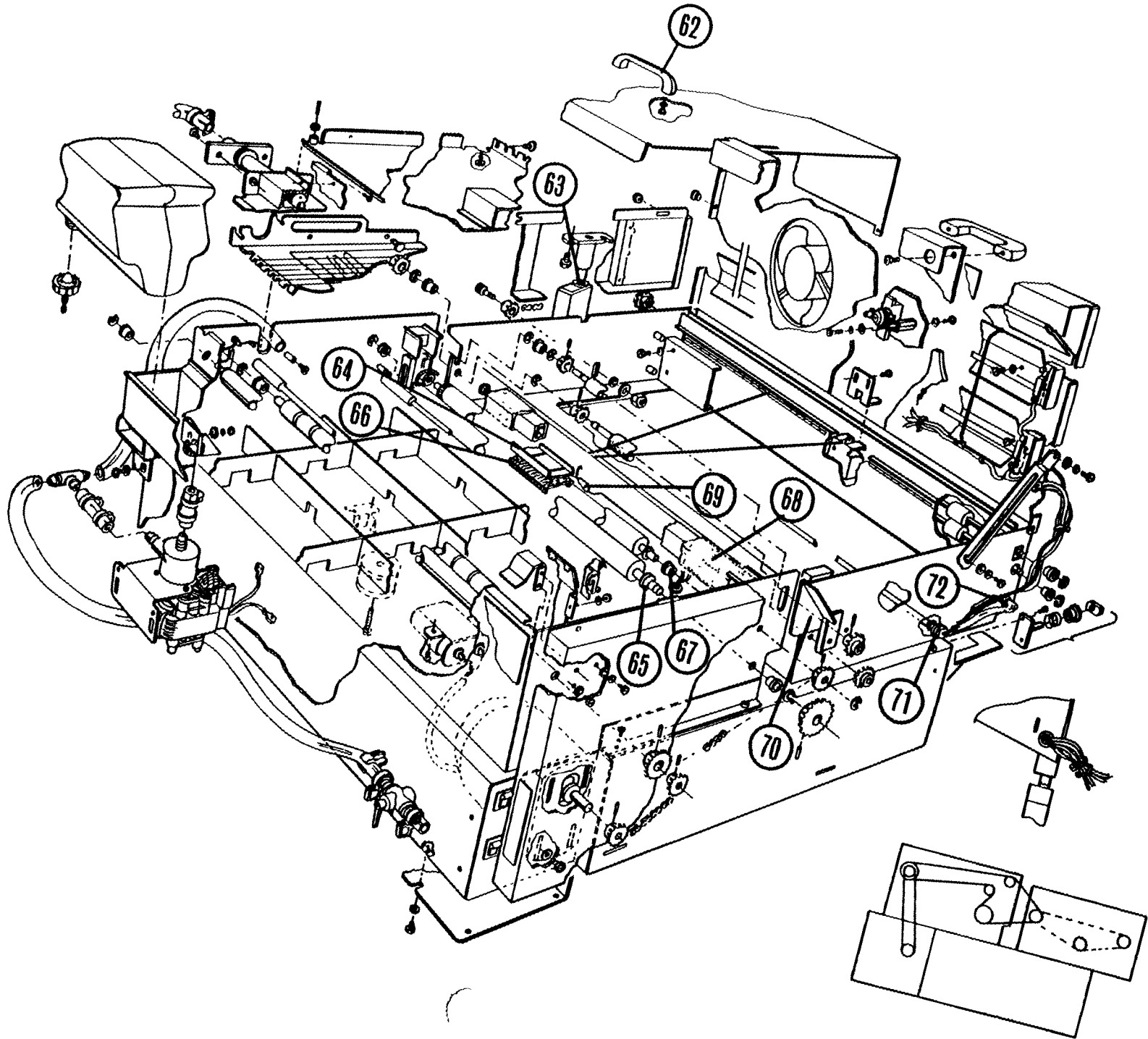
Ref.	Description	Part No.	Qty.
---	-----	-----	---
41	Sprocket, 14T	40150826	1
	Spirol Pin, 3/32"x 3/4" (med)	H5134	1
	Screw, 1 1/4" (Below S/N 677)	21065600	2
	Screw, 1 3/4" (S/N 677 & Above)	H3226	1
	Nut, 3/8-16	H1247	2
	Lock Washer, 3/8"	H1555	1
	Flat Washer	H1570	2
42	Sprocket, 14T	40150826	1
	Spirol Pin, 3/32"x 3/4" (med)	H5134	1
43	Upper Applicator Weldment	20959500	1
	Screw, 10-32 x 3/4"	H6853	4
	Nut, 10-32	H1444	4
NS	Fish Line	20964000	7 ft.
	Screw, Delrin 10-32 x 5/16"	H6823	2
44	Bearing	06739200	2
45	Bearing	21044300	1
46	Pivot Arm Weldment	20966300	1
47	Screw, Delrin 10-32 x 5/16"	H6823	4
	Standoff H.S. (1 1/2")		
	(S/N 677 & Above)	21165200	2
	Standoff L.S. (2")		
	(S/N 677 & Above)	21165300	2
48	Sprocket, 14T	40150826	1
	Spirol Pin, 3/32"x 3/4" (med)	H5134	1
	Screw	21065600	1
	Nut, 3/8-16	H1247	2
	Lock Washer 3/8"	H1555	1
	Flat Washer	H1570	2
49	Sprocket, 14T	40150826	1
	Spirol Pin, 3/32"x 3/4" (med)	H5134	1



PROCESSOR/FUSER ASSEMBLY 20957700

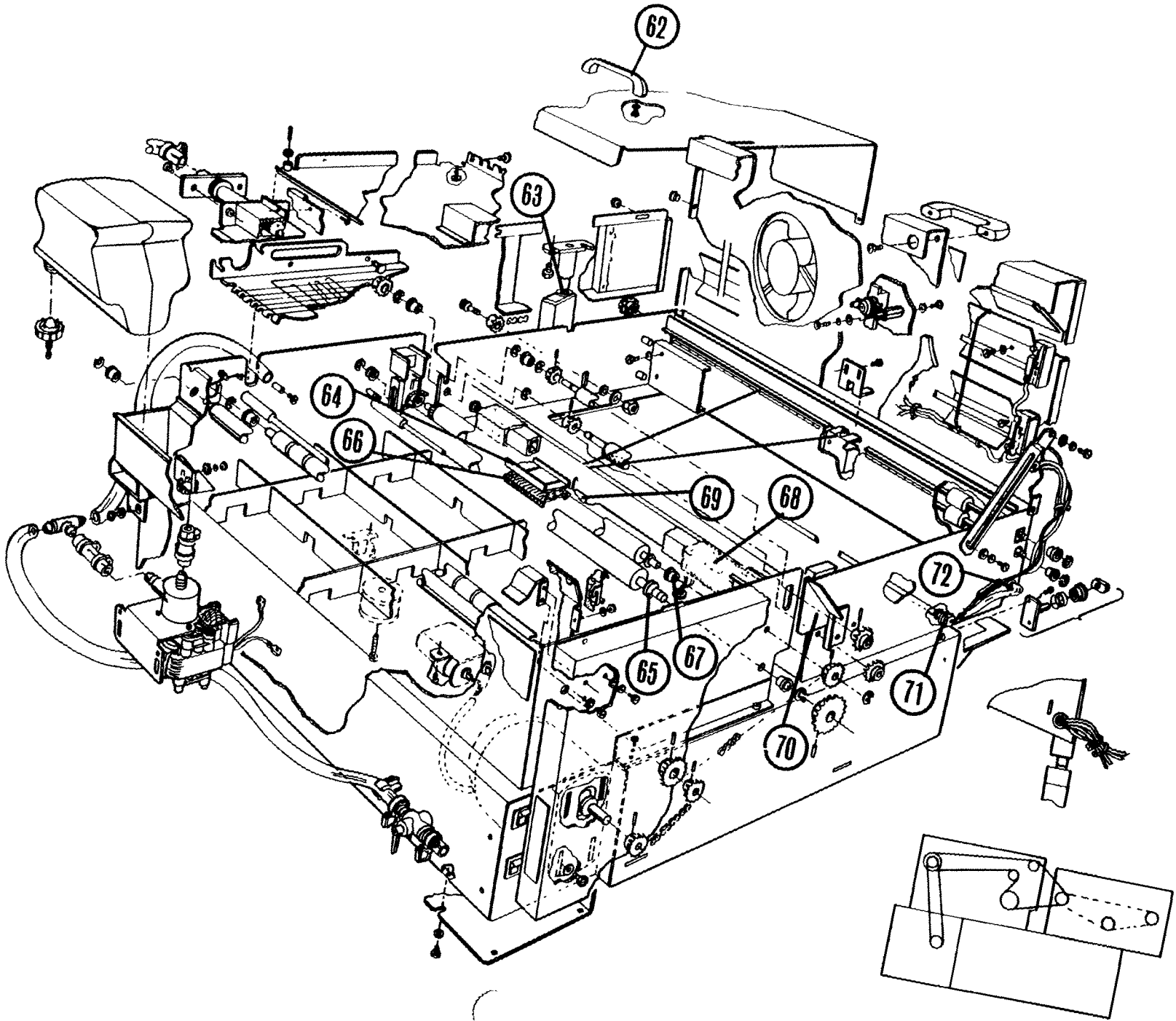
Ref.	Description	Part No.	Qty.
---	-----	-----	---
50	Chain	40144801	1
51	Spring (Below S/N 677)	40149713	2
	Spring Torsion L.S. (S/N 677 & Above)	40144915	1
	Spring Adjusting Bracket L.S. (S/N 677 & Above)	21164900	1
	Spring Torsion H.S. (S/N 677 & Above)	40144914	1
	Spring Adjusting Bracket H.S. (S/N 677 & Above)	21165000	1
	Spring Pivot Stud	21165100	2
	Washer, special L.S.	40152484	1
52	Bearing	21058800	1
53	Gear, Delrin, 23T	21074900	2
	Gear, Metal, 23T	20965700	2
NOTE:	Do not mix delrin and metal gears		
	Spirol Pin, 3/32"x 7/8" (med)	H5137	2
54	Lower Squeegee Roller (Below S/N 677)	20957200	1
	(S/N 677 & Above)	21166400	1
55	Upper Squeegee Roller (Below S/N 677)	20957101	1
	(S/N 677 & Above)	21164500	1
	Bearing, square (S/N 677 & Above)	09699500	2
	Washer, plastic	H1893	
	(S/N 677 & Above)		
	"E" Ring Retainer	H9330	
	(S/N 677 & Above)		

67B



PROCESSOR/FUSER ASSEMBLY 20957700

Ref. ---	Description -----	Part No. -----	Qty. ---
56	Tank Cross Member (Below S/N 677)	20963800	1
	(S/N 677 & Above)	21164100	1
	Screw, 10-32 x 3/8"	H6851	4
	Lock Washer, #10	H1552	4
	Flat Washer, #10	H1560	4
	Permatex Gasket, Ultra Blue	40143550	A/R
57	Input Guide, Slip-On	21037800	1
	Mylar Cover	21112100	1
	Tape	40151331	5 ft.
58	Front Bearing Bracket (Below S/N 677)	21044500	1
	(S/N 677 & Above)	21164400	1
	Screw, 10-32 x 3/8"	H6851	2
	Lock Washer, #10	H1552	2
59	Chain Guard	21046000	1
	Flat Washer, #10	H1560	1
	Nut, 10-32	H9042	1
60	Chain Guard Weldment	21065900	1
	Flat Washer, #10	H1560	1
	Nut, 10-32	H9042	1
61	Processor Top Cover (Below S/N 677)	20967100	1
	(S/N 677 & Above)	21167000	1



PROCESSOR/FUSER ASSEMBLY 20957700

Ref.	Description	Part No.	Qty.
---	-----	-----	---
62	Handle	19531401	1
	Screw, 10-24 x 3/8"	H6858	2
	Lock Washer, #10	H1552	2
63	Bearing	06750500	1
64	Upper Exit Guide	20967401	1
	Screw, 10-32	H6851	2
	Lock Washer, #10	H1552	2
	Flat Washer, #10	H1560	2
65	V-Ring Seal	21044000	1
66	Exit Guide	20962900	1
67	Bearing (Below S/N 677)	20960300	2
68	Wiper Channel (Below S/N 677)	20957000	1
	Wiper Channel(S/N 677 & Above)	21165700	1
	Dampener Cover	21076800	2 ft
	Bushing	09204701	2
69	Switch	19285001	1
	Actuator	40140311	1
	Nut Plate	19066001	1
	Screw, 4-40 x 3/4"	H5841	2
	Adhesive	40143548	A/R
70	Chain Finger Guard (Below S/N 677)	21066200	1
	(S/N 677 & Above)	21181000	1
	Screw, 10-32	H6873	1
71	Temperature Sensor Assy.	21055301	1
	Lock Washer, 3/8"	H1555	1
	Nut, 3/8"-34	H1231	1
72	Bushing	09204700	1

