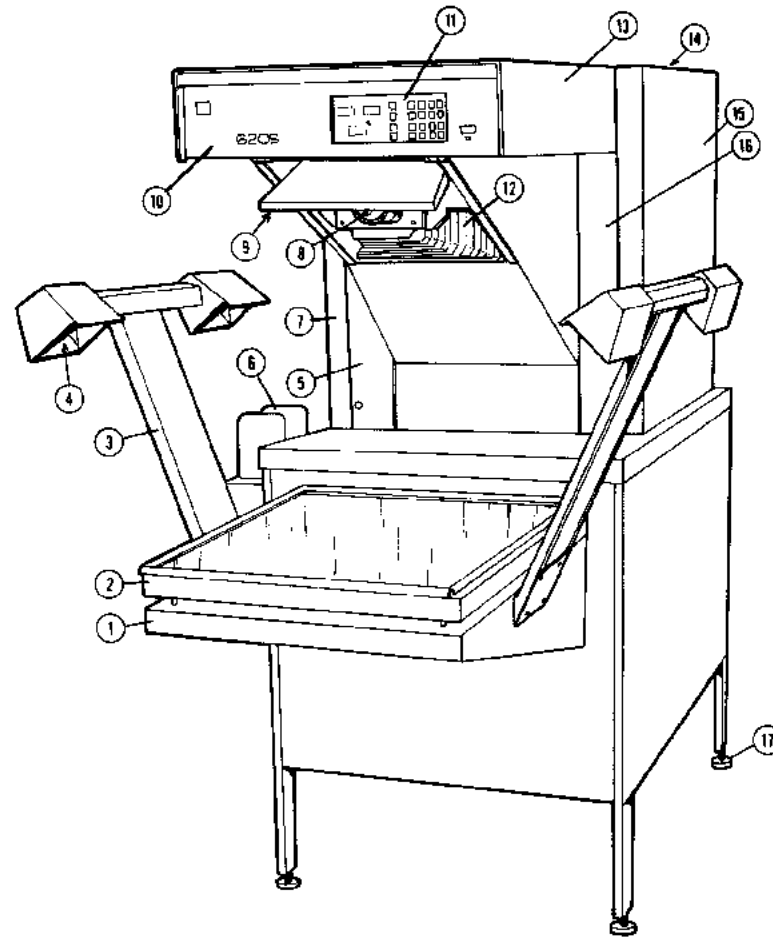


PARTS MANUAL

Machine Complete

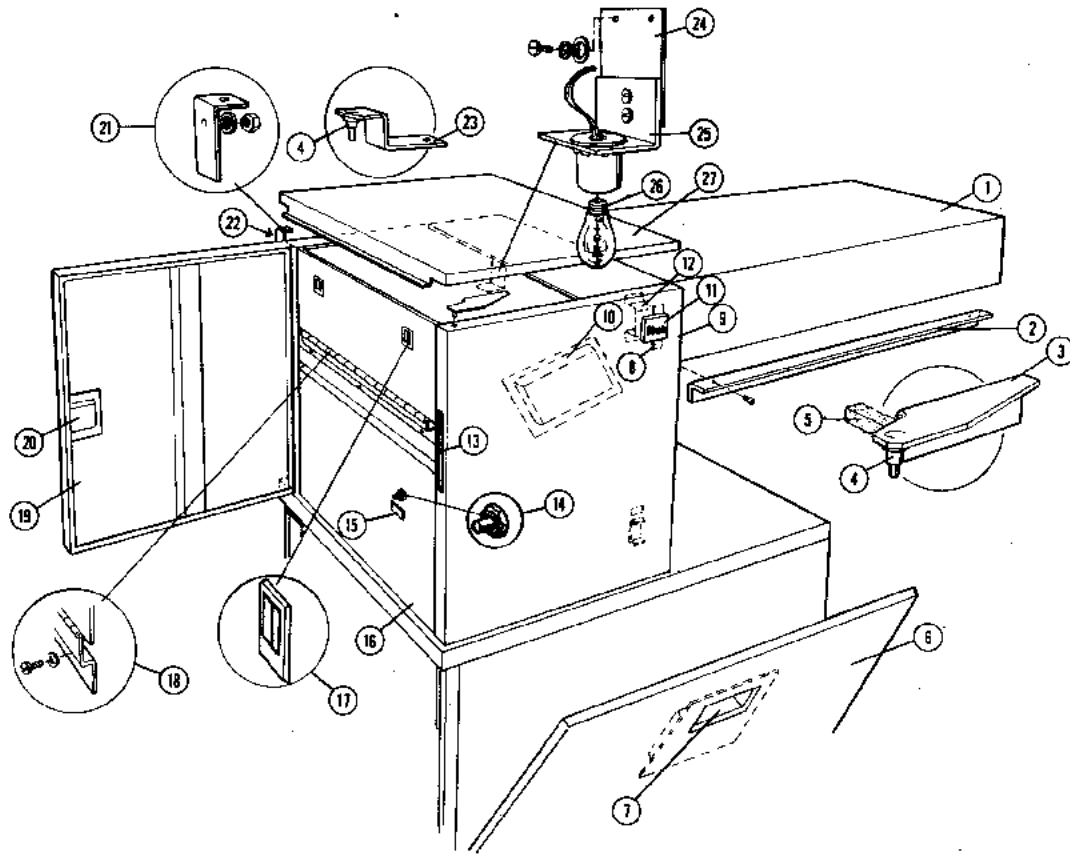


NOTICE: THIS CONTAINS CONFIDENTIAL, PROPRIETARY AND NON-PUBLIC INFORMATION OF TERACOMMUNIC.COM. REPRODUCTION OR REDISTRIBUTION (IN WHOLE OR IN PART) OR DISCLOSURE HEREOF TO UNAUTHORIZED PERSONS WITHOUT THE PRIOR WRITTEN CONSENT OF TERACOMMUNIC.COM OR THE SYSTEMS DIVISION IS PROHIBITED.

MACHINE COMPLETE

REF.	DESCRIPTION	PART NO.	QTY.	REF.	DESCRIPTION	PART NO.	QTY.
1	Subject Holder Support	20289401	1	8	Lens	19863501	1
	Bolt ¼-20	H0059300	4	9	Mirror	20094401	1
	Lock Washer, ¼	H0155300	4	10	Display Overlay	20282901	1
	Flat Washer, ¼	H0156200	4	11	Push Button Pad	20085001	1
2	Copyboard Assembly Complete	20281801	1	12	Bellows	20255701	1
	Flange Nut, ¼-20	H0124200	4	13	Cover, Overhang	20305301	1
3	Lamp assembly complete	20312201	2	14	Cover, Top, Magazine	20326901	1
	Lamp assembly complete			15	Cover, H.S.	20300501	1
	After S/N 763	20403101	2	16	Filler Plate, H.S.	20354801	1
	Nut 10-32	H0144400	4		Nut, 10-32	H0144400	4
	Lock washer, #10	H0155200	4		Lock Washer, #10	H0155200	4
	Flat washer, #10	H0156000	4		Flat Washer, #10	H0156000	4
4	Lamp, 220 Volt	19068203	4	17	Foot	20264401	4
5	Filler Plate L.S.	20254701	1		Lock Nut, ½-13	H0125500	4
	Nut, 10-32	H0144400	4				
	Lock Washer, #10	H0155200	4				
	Flat Washer, #10	H0156000	4				
6	Bottle	PIC01600	2				
	Syphon Cap	19634201	2				
	Bottle Label, Developer	19751001	1				
	Bottle Label, Stabilizer	19751101	1				
7	Door, L.S.	20300901	1				

NOTICE: THIS CONTAINS CONFIDENTIAL PROPRIETARY AND NON-PUBLIC INFORMATION OF ITK GANNEX CORP. REPRODUCTION OR REPRODUCTION IN WHOLE OR IN PART OR DISCLOSURE HEREOF TO UNAUTHORIZED PERSONS WITHOUT THE PRIOR WRITTEN CONSENT OF ITK GANNEX CORP. GANNEX SYSTEMS DIVISION IS PROHIBITED.

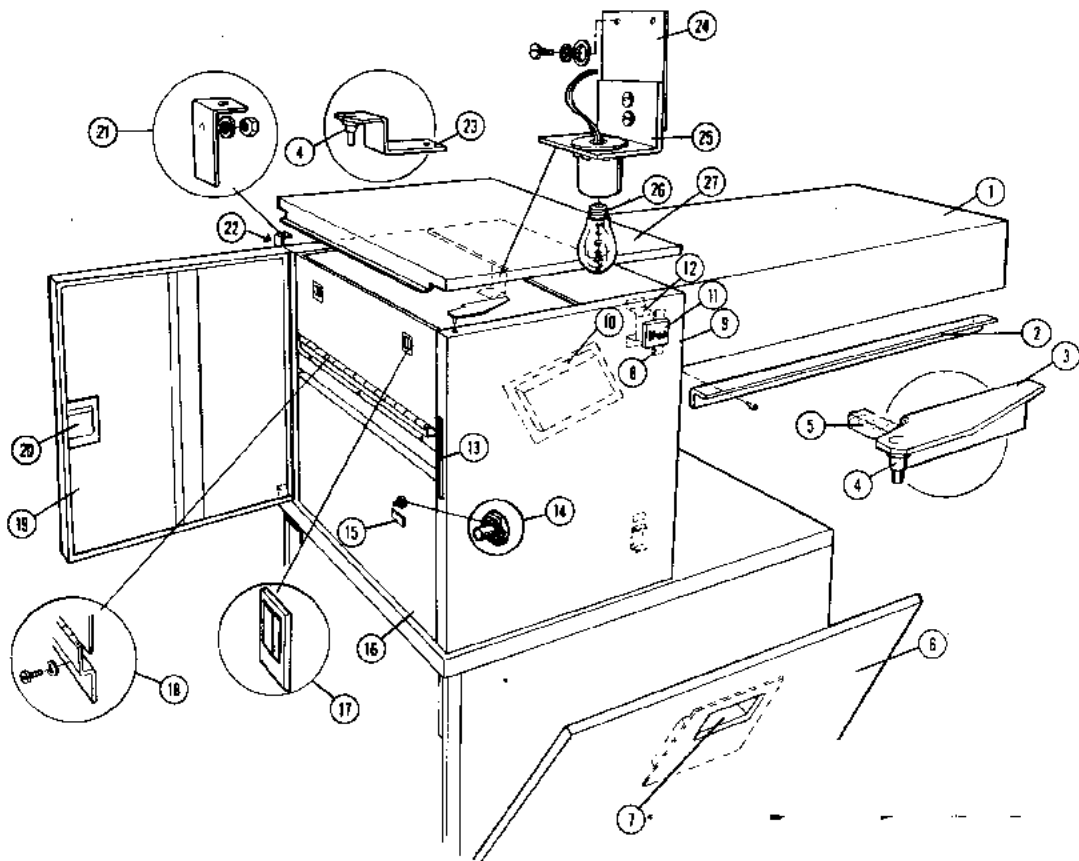


NOTICE: THIS CONTAINS CONFIDENTIAL, PROPRIETARY AND NON-PUBLIC INFORMATION OF ITXC QUANTRIX CORP. DISSEMINATION OR REPRODUCTION IN WHOLE OR IN PART OR UNAUTHORIZED MENTION TO UNAUTHORIZED PERSONS WITHOUT THE PRIOR WRITTEN CONSENT OF ITXC QUANTRIX CORP. QUANTRIX SYSTEMS DIVISION IS PROHIBITED.

COVER ASSEMBLIES

REF.	DESCRIPTION	PART NO.	QTY.	REF.	DESCRIPTION	PART NO.	QTY.
1	Cover, Overhang	20305301	1	12	Magnet Base	20304901	1
	Screw, 8-32 x 3/8	H0472100	2		Black Screw, 8-32 x 1/4	H0582700	2
	Lock Washer, #8	H0155100	2		Lock Washer, #8	H0155100	2
	Flat Washer, #8	H0156300	2		Flat Washer, #8	H0156300	2
	Screw, 10-32 x 3/8	H0465400	2	13	Magnetic Strip	19806401	A/R
	Lock Washer, #10	H0155200	2	14	Prefeed Switch	09072601	1
	Flat Washer, #10	H0156000	2	15	Label, Prefeed	20365601	1
2	Filler, Overhang, L.S.	20305201	1	16	Cover, Lower	20304301	1
	Filler, Overhang, H.S.	20307801	1		Black Screw, 10-32 x 3/8	H0682900	6
	Black Screw, 8-32 x 1/4	H0582700	12		Lock Washer, #10	H0155200	6
	Lock Washer, #8	H0155100	12		Flat Washer, #10	H0156000	6
	Flat Washer, #8	H0156300	12	17	Latch, Slide	19664301	2
3	Hinge, L.S.	20304601	1	18	Door, Inner	20326601	1
	Nut, 10-32	H0144400	2		Tape, Foam	40151337	A/R
	Lock Washer, #10	H0155200	2		Black Screw, 8-32 x 3/8	H0582700	3
	Flat Washer, #10	H0156000	2		Lock Washer, #8	H0155100	3
4	Hinge Bearing	02488000	2		Flat Washer, #8	H0156300	3
5	Foam Tape 1/4" x 3/8"	40151332	A/R	19	Door, Rear	20300601	1
6	Door Processor	20278201	1	20	Light Shield	19504403	1
7	Light Shield	19504402	1		Double Sided Tape, 3/4"	40151331	A/R
	Double Sided Tape	40151331	A/R	21	Bracket, Cover	20303801	2
8	Magnet, Latch	08974200	1		Nut, 10-32	H0144400	4
9	Door, L.S.	20300901	1		Lock Washer, #10	H0155200	4
10	Light Shield	20314701	1		Flat Washer, #10	H0156000	4
	Double Sided Tape, 3/4"	40151331	A/R	22	Cover, H.S.	20300501	1
11	Logo, Itek Graphix	19641701	1		Screw, 8-32 x 3/8	H0472100	2
	Retainer	H0934400	2		Lock Washer, #8	H0155100	2
					Flat Washer, #8	H0156300	2

NOTICE: THIS CONTAINS CONFIDENTIAL, PROPRIETARY AND NON-PUBLIC INFORMATION OF ITEK GRAPHIX CORP. DUPLICATION OR REPRODUCTION IN WHOLE OR IN PART, OR DISCLOSURE HEREOF TO UNAUTHORIZED PERSONS WITHOUT THE PRIOR WRITTEN CONSENT OF ITEK GRAPHIX CORP. IS PROHIBITED.

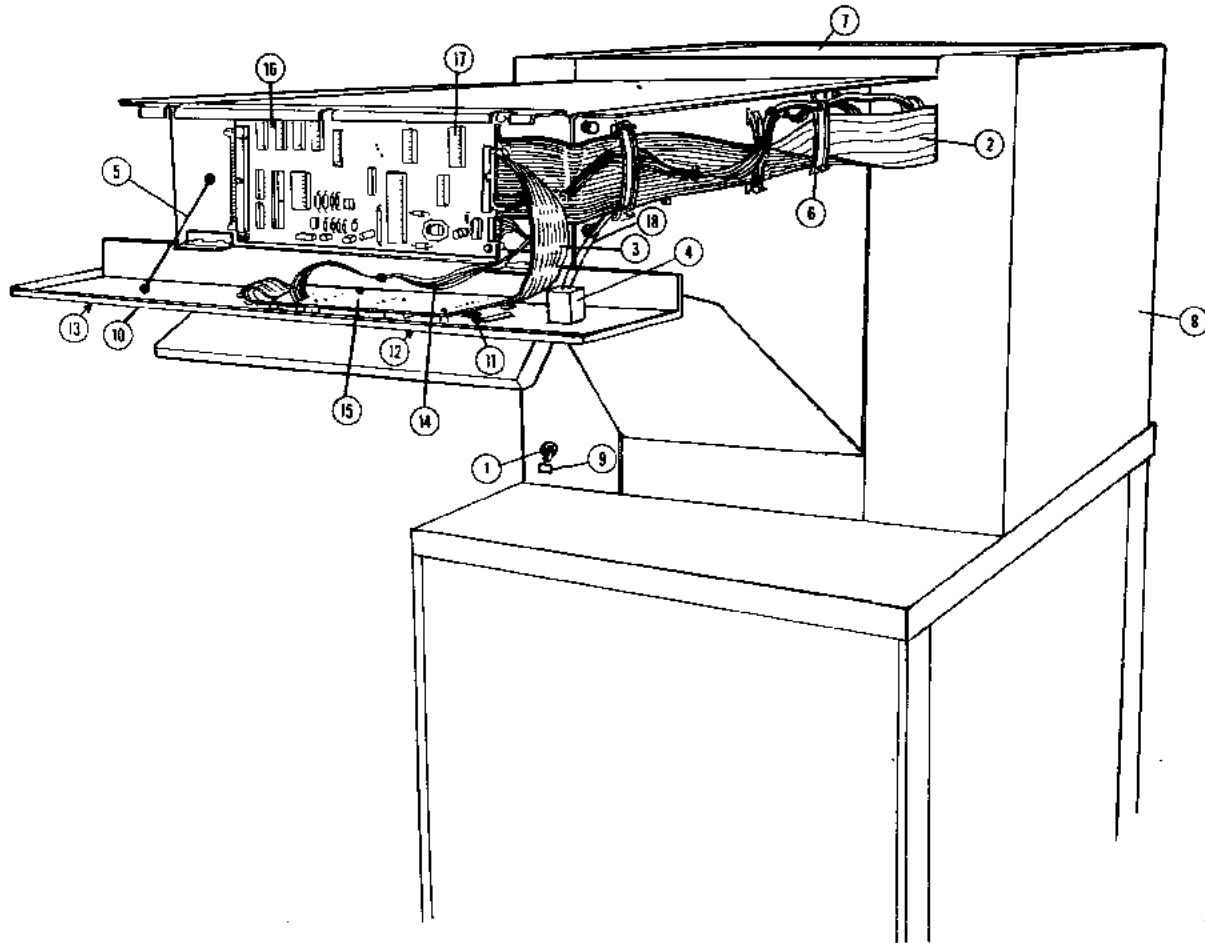


NOTICE: THIS CONTAINS CONFIDENTIAL, PROPRIETARY AND NON-PUBLIC INFORMATION OF ITEX GRAPHIX CORP. DUPLICATION OR REPRODUCTION IN WHOLE OR IN PART, OR DISCLOSURE HEREOF TO UNAUTHORIZED PERSONS WITHOUT THE PREVIOUS WRITTEN CONSENT OF ITEX GRAPHIX CORP. GRAPHIC SYSTEMS DIVISION IS PROHIBITED.

COVER ASSEMBLIES

REF.	DESCRIPTION	PART NO.	QTY.
23	Hinge, H.S.	20304701	1
	Nut, 10-32	H0144400	2
	Lock Washer, #10	H0155200	2
	Flat Washer, #10	H0156000	2
24	Bracket	20314901	1
	Screw, 8-32 x 3/8	H0472100	2
	Lock Washer, #8	H0155100	2
	Flat Washer, #8	H0156300	2
25	Lamp Socket Assembly	20320901	1
26	Lamp, 220 Volt	20321001	1
27	Cover, Top, Magazine	20326901	1
	Screw, 8-32 x 3/8	H0472100	4
	Lock Washer, #8	H0155100	4
	Flat Washer, #8	H0156300	4

NOTICE: THIS CONTAINS CONFIDENTIAL, PROPRIETARY AND NON-PUBLIC INFORMATION OF ITXC GRAPHIX CORP. REPLICATION OR REPRODUCTION IN WHOLE OR IN PART OR DISCLOSURE HEREOF TO UNAUTHORIZED PERSONS WITHOUT THE PRIOR WRITTEN CONSENT OF ITXC GRAPHIX CORP. GRAPHIC SYSTEMS DIVISION IS PROHIBITED.

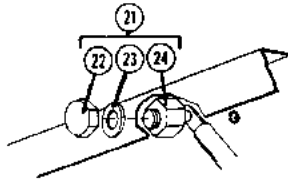
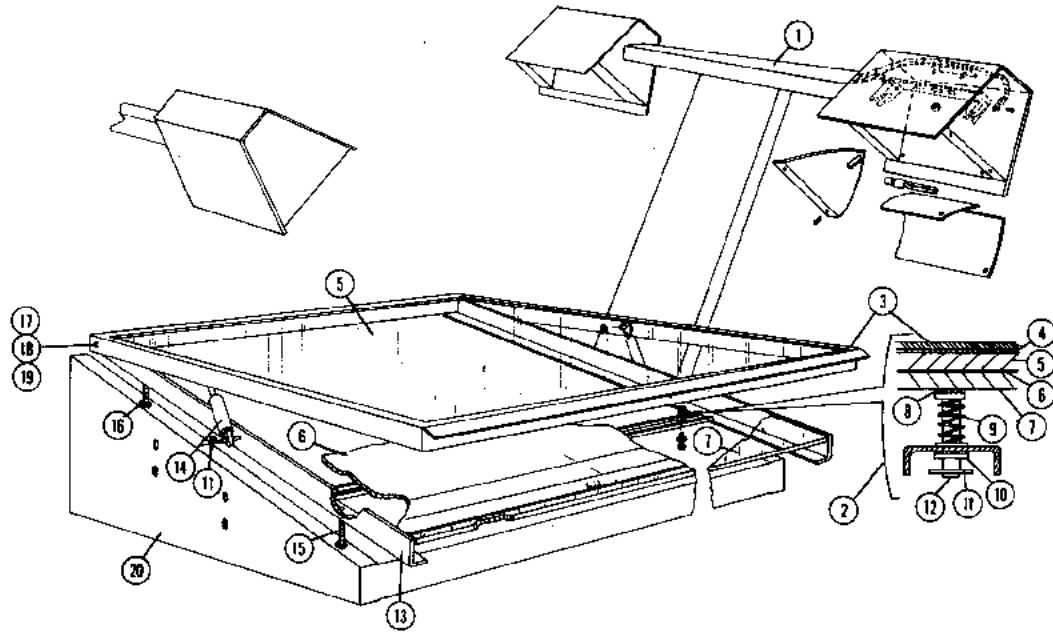


NOTICE: THIS CONTAINS CONFIDENTIAL, PROPRIETARY AND NON-PATENT INFORMATION OF THE GRAPHIC CORP. DEPICTION OR REPRODUCTION IN WHOLE OR IN PART OR DISSEMINATION HEREOF TO UNAUTHORIZED PERSONS WITHOUT THE PRIOR WRITTEN CONSENT OF THE GRAPHIC CORP. GRAPHIC SYSTEMS DIVISION IS PROHIBITED.

OVERHANG ASSEMBLIES

REF.	DESCRIPTION	PART NO.	QTY.	REF.	DESCRIPTION	PART NO.	QTY.
1	16 AMP Circuit Breaker	19598203	1	11	Back Plate Assembly	20165301	1
	Mounting Plate	20080701	1		Nut, 8-32	H0144200	5
	F.H. Screw 6-32 x 3/16	H0013500	2		Washer, #8	H0158400	5
2	Cable	20243101	1	12	Push Button Pad	20085001	1
3	Cable	20242601	1	13	Display Overlay	20282901	1
4	Counter Assembly	20317201	1	14	Harness, D.C.	20242901	1
5	Cable, Restraint	20313601	1	15	Display P.C.B.	20086701	1
	Nut, 10-32	H0904200	2		Screw, 6-32 x 3/8	H0065400	4
6	Cable Clamp	20111101	3		Washer, #6	H0158300	4
7	Top Cover	20326901	1	16	Controller P.C.B.	20161502	1
	Screw, 8-32 x 3/8	H0472100	4		Screw, 6-32 x 1/4	H0470400	4
	Lock Washer, #8	H0155100	4		Lock Washer, #6	H0155000	4
	Flat Washer, #8	H0156300	4	17	Prom	20373501	1
8	Side Cover	20300501	1	18	Harness, Counter/Shutter	20242801	1
	Screw, 8-32 x 3/8	H0472100	2				
	Lock Washer, #8	H0155100	2				
	Flat Washer, #8	H0156300	2				
9	Label	19800302	1				
10	Control Panel Assy. Complete	20291401	1				
	Nut, 8-32	H0144200	2				
	Lock Washer, #8	H0155100	2				
	Flat Washer, #8	H0156300	2				
	Ground Wire	20352301	1				
	Nut, 10-32	H0904200	2				

NOTICE: THIS CONTAINS CONFIDENTIAL PROPRIETARY AND NON-PUBLIC INFORMATION OF ITT CANADA CORP. REPRODUCTION OR DISSEMINATION IN WHOLE OR IN PART OR DISCLOSURE HEREOF TO UNAUTHORIZED PERSONS WITHOUT THE PRIOR WRITTEN CONSENT OF ITT CANADA CORP. CANADIAN SYSTEMS DIVISION IS PROHIBITED.

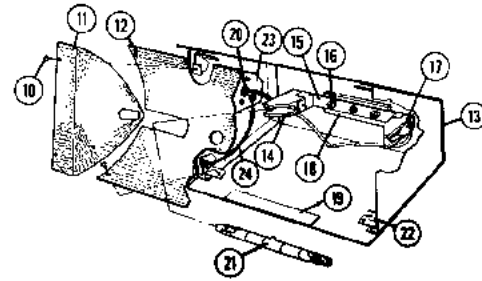
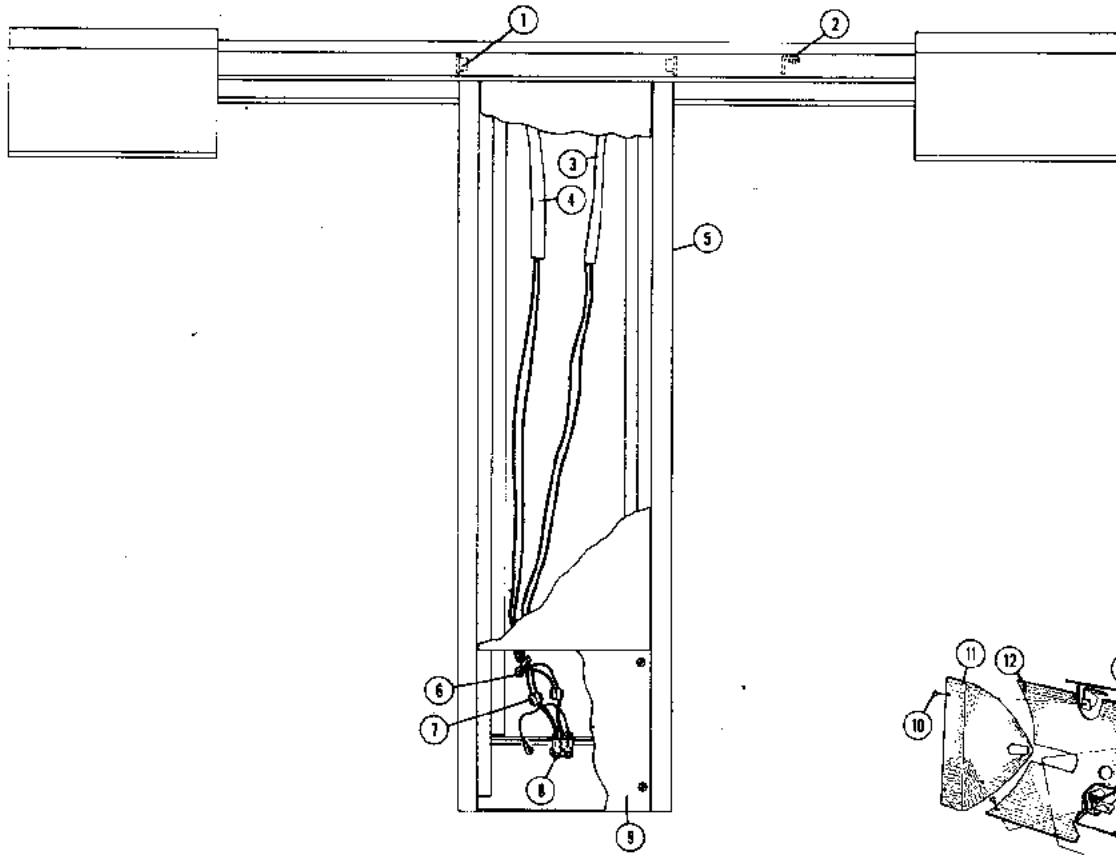


NOTICE: THIS CONTAINS CONFIDENTIAL, PROPRIETARY AND NON PUBLIC INFORMATION OF TTX GRAPHIC CORP. REPLICATION OR REPRODUCTION IN WHOLE OR IN PART OR DISSEMINATION TO UNAUTHORIZED PERSONS WITHOUT THE PRIOR WRITTEN CONSENT OF TTX GRAPHIC CORP. GRAPHIC SYSTEMS DIVISION IS PROHIBITED.

COPYBOARD/LAMP ARMS/SUPPORT ASSEMBLY

REF.	DESCRIPTION	PART NO.	QTY.	REF.	DESCRIPTION	PART NO.	QTY.
1	Lamp arm assy. complete	20312201	2	11	Retaining Ring	H0933100	9
	Lamp arm assy. complete -			12	Platen Stud	20384201	5
	-After S/N 763	20403101	2	13	Frame	20282201	1
	Nut, 10-32	H0144400	4	14	Counterbalance	20143401	2
	Lock washer, #10	H0155200	4	15	Hex Head Bolt, ¼-20 x 2¾"	H0489300	4
	Flat washer, #10	H0156000	4	16	Flange Nut, ¼-20	H0124200	8
2	Copyboard Assy. Complete	20281801	1	17	Set Screw, 8-32 x ¼	H0113400	2
3	Frame	20282301	1	18	Nyliner	06754703	2
4	Tape	40151356	10½"	19	Hinge Pin	20153401	2
5	Cover Glass	20282001	1	NS	Tape for Front & Cover Glass	PL842900	1.6'
6	Chart	20352601	1	20	Copyboard support	20289401	1
	Tape, Double Sided	40151322	A/R		Bolt, ¼-40 x ¾	H0059300	4
7	Platen Glass	20282101	1		Lock washer, ¼	H0155300	4
8	Adhesive	40143535	A/R		Flat washer, ¼	H0156400	4
	Adhesive Activator	40143536	A/R		Square plate washer	20367501	4
9	Spring	20350501	5	21	Stud Repair Kit Complete	20431501	A/R
10	Nyliner	06754700	5	22	Nut, 10-32 Cap	H0141000	A/R
				23	Lock Washer, #10	H0155200	A/R
				24	Pivot Stud	20431601	A/R

WARNING: THIS CONTAINS CONFIDENTIAL, PROPRIETARY AND NON-PUBLIC INFORMATION OF ITCA GRAPHICS CORP. DUPLICATION OR REPRODUCTION (IN WHOLE OR IN PART) OR DISCLOSURE HEREOF TO UNAUTHORIZED PERSONS WITHOUT THE PRIOR WRITTEN CONSENT OF ITCA GRAPHICS CORP. GRAPHIC SYSTEMS DIVISION IS PROHIBITED.



LAMP ASSEMBLY 20312201

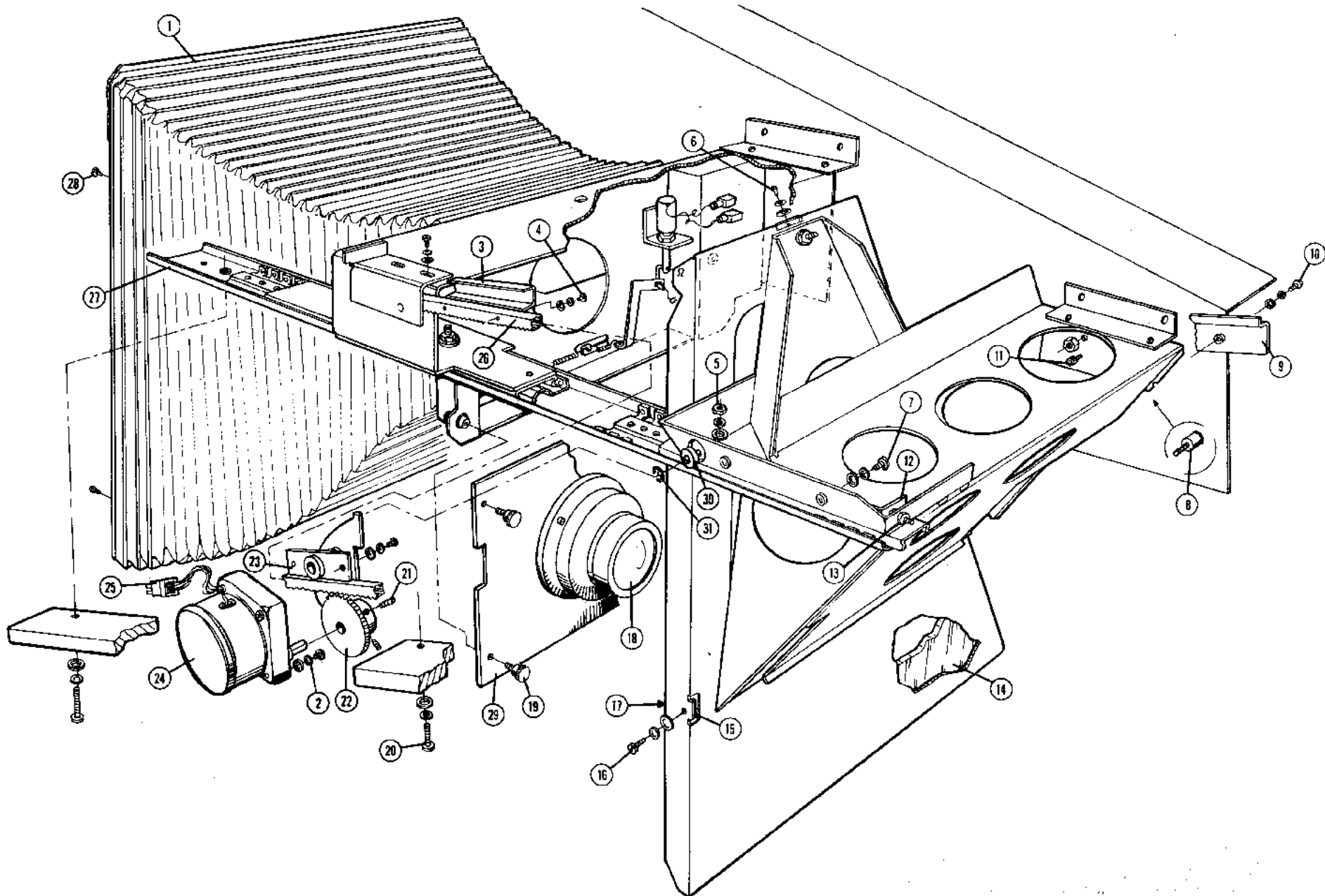
REF.	DESCRIPTION	PART NO.	QTY.
1	Bushing	09204701	6
	Clamp	09779700	9
2	Cable tie	E0230700	7
	Nut, 8-32	H0904100	7
3	Cable	20247503	1
	Cable (After S/N 763)	20321201	1
4	Cable	20247504	1
	Cable (After S/N 763)	20321202	1
5	Lamp arm frame	20308181	1
	Lamp arm frame (After S/N 763)	20403201	1
6	Cable tie	E0230700	1
	Cable tie base	09779700	
7	Wire splice	20318302	2
8	Connector	40132517	1
9	Cover, old style - short	20309191	1
	Screw, 8-32 x 3/8	H0582700	8
	Cover, new style - 28" long	20432201	1
	Cover (After S/N 763)	20448701	1
10	Screw, 4-40 x 1/8	H0030000	8
	Screw, #6 self-top (After S/N 763)	8	
11	Reflector end	09188700	4
	Reflector end (After S/N 763)	20509601	4
12	Reflector	09190100	2
	Reflector (After S/N 763)	20509701	2
13	Lamp shell	19072601	2
	Lamp shell (After S/N 763)	20213301	2

REF.	DESCRIPTION	PART NO.	QTY.
14	Lamp socket only	09188200	4
15	Bar	07686700	2
	Socket bracket (After S/N 763)	20325801	2
16	Nut, 8-32	H0904100	4
	Nut, 8-32 (After S/N 763)	H0123200	4
17	Socket assembly	07711100	2
	Socket assembly (After S/N 763)	N/A	
18	Bar	09188100	2
	Bar (After S/N 763)	N/A	
19	Label, lamp	19657505	4
20	Bushing	09204700	4
21	Lamp, 220 Volt	19068203	4
22	Bracket fastener (After S/N 763)	20355801	8
23	Clamp plate (After S/N 763)	20358201	2
	Nut (After S/N 763)	H0904100	10
24	Wire assy. (ground) (After S/N 763)	20251801	2

Revised 2/87

WARNING: THIS CONTAINS CONFIDENTIAL, PROPRIETARY AND NON-PUBLIC INFORMATION OF ITRONIX CORP. DUPLICATION OR REPRODUCTION OF THIS DOCUMENT IS STRICTLY PROHIBITED. UNAUTHORIZED DISCLOSURE OF THIS INFORMATION TO UNAUTHORIZED PERSONS WITHOUT THE EXPRESS WRITTEN CONSENT OF ITRONIX CORP. OR ITRONIX SYSTEMS DIVISION IS PROHIBITED.

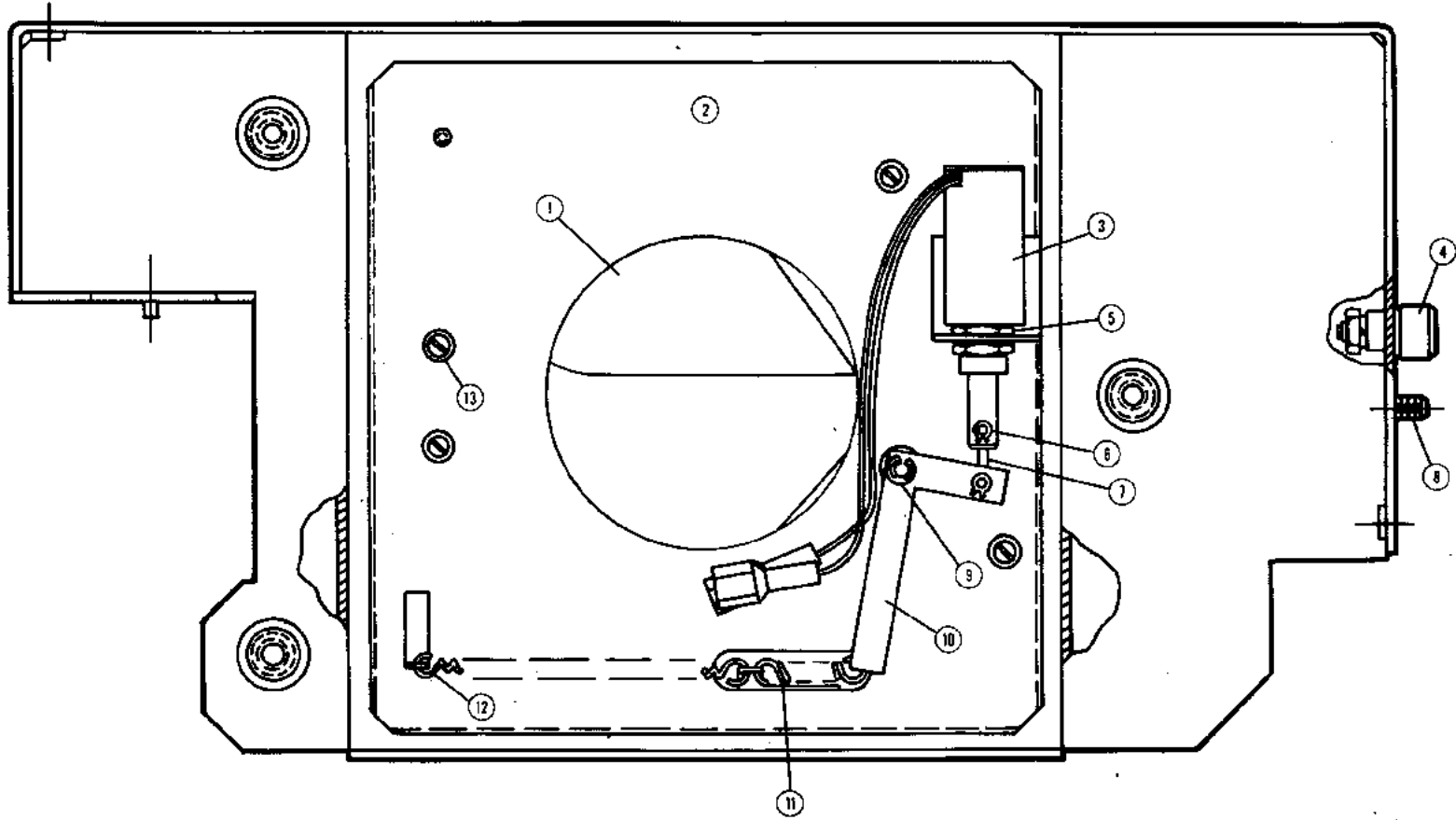
OPTICS ASSEMBLY



OPTICS ASSEMBLY

REF.	DESCRIPTION	PART NO.	QTY.	REF.	DESCRIPTION	PART NO.	QTY.
1	Bellows Assembly	20255701	1	16	Machine Screw, 8-32 x 1/4"	H0471900	2
2	Machine Screw, 8-32 x 3/8"	H0472100	4		Lock Washer, #8	H0155100	2
	Flat Washer, #8	H0156300	4		Flat Washer, #8	H0156300	2
	Lock Washer, #8	H0155100	4	17	Mirror Clip Assembly 1/4"	20118301	3
3	Switch Actuator, 100%	20110001	1		Mirror Clip Assembly 3/8"	20498301	
4	Machine Screw, 8-32 x 1/4"	H0471900	1	18	Lens, J.M.L.	20345001	1
	Lock Washer, #8	H0155100	1		Lens, Ednalite	19863501	A/R
	Flat Washer, #8	H0156300	1		Cap Screw, 6-32 x 3/8	H0274700	5
5	Hex Nut, 10-32	H0144400	2		Set Screw, 6-32 x 3/8	H0077400	5
	Flat Washer, #10	H0156000	2	19	Allen Screw, 10-32 x 3/8	H0273200	3
	Lock Washer, #10	H0155200	2	20	Machine Screw, 10-32 x 1"	H0065700	2
6	Machine Screw, 8-32 x 1/4"	H0471900	3		Lock Washer, #10	H0155200	2
	Lock Washer, #8	H0155100	3		Flat Washer, #10	H0156000	2
	Flat Washer, #8	H0156300	3	21	Set Screw, 10-32 x 3/8"	H0116400	1
7	Machine Screw, 10-32 x 3/8"	H0465400	2	22	Mirror Cam Assembly	20254201	1
	Lock Washer, #10	H0155200	2	23	Hold Down Assembly	20109701	1
	Flat Washer, #10	H0190200	2	24	Stepper Motor Assembly	20093301	1
8	Cam Follower	09352900	1		Harness	20292801	1
	Spacer	03658700	1	25	Connector, Plug	40132905	1
	Lock Washer, #10	H0155200	1	26	Gear Rack	20258601	1
	Hex Nut, 10-32	H0144400	1	27	Ball Slide Assembly	20110101	1
9	Guide Rail Assembly	20353201	1	28	Machine Screw, 6-32 x 1/4"	H0470100	8
10	Machine Screw, 10-32 x 3/8"	H0465400	3	NS	Transmissive Sensor	20085201	1
	Lock Washer, #10	H0155200	3		Shutter Harness, A.C.	20242801	1
	Flat Washer, #10	H0156000	3		100% Sensor Harness, D.C.	20243001	1
11	Cap Screw, 10-32 x 3/8"	H0273200	1	29	Lens Plate, J.M.L.	20429801	1
12	Cam Follower Bracket Assy.	20192101	1		Lens Plate, Ednalite	20384901	A/R
13	Hex Nut, 10-32	H0144400	1		Foam tape	40151332	A/R
14	Mirror 1/4"	20094401	1	30	Oil-Ilte Bearing	09258004	1
	Mirror 3/8"	20094402		31	"E" Ring	H0927200	1
15	Tape (cork pad)	PL841900	A/R				

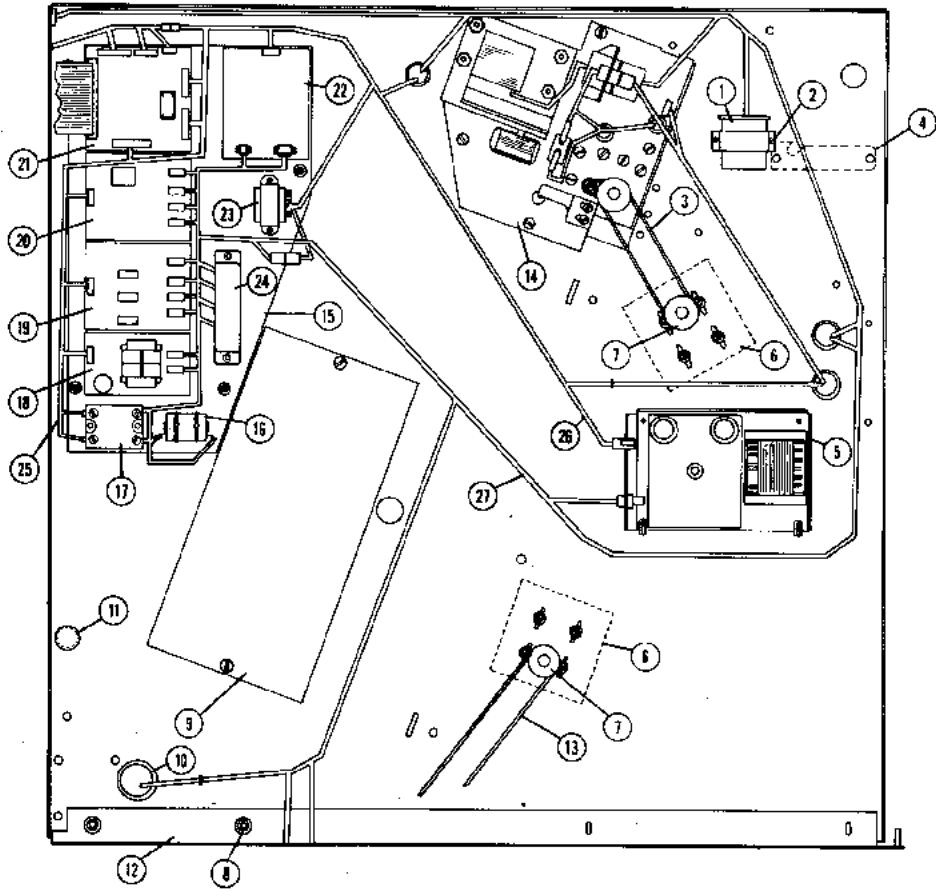
NOTICE: THIS CONTAINS CONFIDENTIAL, PROPRIETARY AND NON-PUBLIC INFORMATION OF TRK OPTIKS CORP. DISCLOSURE OR REPRODUCTION IN WHOLE OR IN PART OR IN ANY MANNER OR BY ANY MEANS, ELECTRONIC OR MECHANICAL, INCLUDING PHOTOCOPYING, RECORDING, OR BY ANY INFORMATION STORAGE AND RETRIEVAL SYSTEM, WITHOUT THE PRIOR WRITTEN CONSENT OF TRK OPTIKS CORP. DIVISION OF TRK OPTIKS CORP. IS PROHIBITED.



NOTICE: THIS CONTAINS CONFIDENTIAL, PROPRIETARY AND NON-PUBLIC INFORMATION OF ITT CANADA CORP. REPLICATION OR REPRODUCTION OF THIS DOCUMENT IN PART OR IN WHOLE IS PROHIBITED. FOR INFORMATION ON THE PROHIBITION OF REPRODUCTION OF THIS DOCUMENT, CONTACT THE PROHIBITION OF REPRODUCTION DIVISION OF ITT CANADA CORP. SIMILAR SYSTEMS DIVISION IS PROHIBITED.

LENS CARRIER ASSEMBLY 20135201

REF.	DESCRIPTION	PART NO.	QTY.
1	Shutter Assembly	19633301	1
2	Shutter Plate Weldment Assembly	20100101	1
3	Solenoid Assembly	20135101	1
4	Cam Follower	09352900	1
	Spacer	03658700	1
	Lock Washer, #10	H0155200	1
	Hex Nut, 10-32	H0144400	1
5	Hex Nut, 15/32-32	H0136100	2
6	Retaining Ring	H0930700	2
7	Link	19862801	1
8	Cap Screw, 10-32 x 3/8	H0273200	1
9	Retaining Ring	H0932900	1
20	Shutter Link	19255801	1
11	Spring Extension	19255401	1
12	Spring Extension	19255501	1
13	Machine Screw, 4-40 x 1/4"	H0586100	4
	Lock Washer, #4	H0155700	4

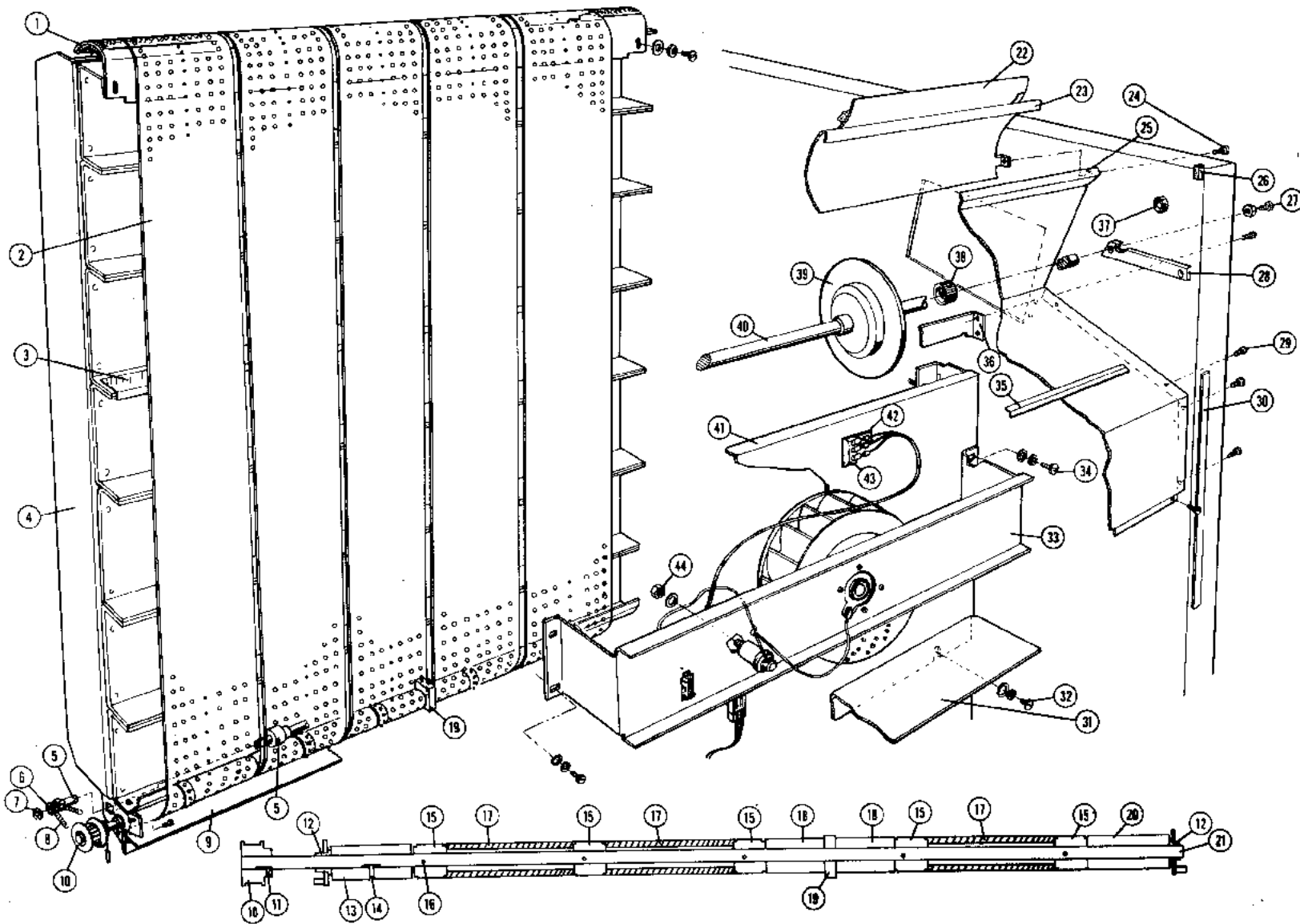


NOTICE: THIS CONTAINS CONFIDENTIAL, PROPRIETARY AND NON-PUBLIC INFORMATION OF ITEX GRAPHIX CORP. DUPLICATION OR REPRODUCTION (IN WHOLE OR IN PART) OR DISCLOSURE HEREOF TO UNAUTHORIZED PERSONS WITHOUT THE PRIOR WRITTEN CONSENT OF ITEX GRAPHIX CORP. GRAPHIC SYSTEMS DIVISION IS PROHIBITED.

MAGAZINE ASSEMBLY - HINGE SIDE (H.S.) 20340301

REF.	DESCRIPTION	PART NO.	QTY.	REF.	DESCRIPTION	PART NO.	QTY.	
1	Capacitor	08700134	1	13	Timing Belt	20313901	1	
2	Bracket	09684700	1	14	Knife Assy. Complete	20291601	1	
	Screw, 8-32 x 3/8"	H0472100	2	15	Elect. Panel Assy. Comp.	20242401	1	
	Lock Washer, External #8	H0158400	2		Screw, 8-32 x 5/16	H0586000	4	
3	Timing Belt	20311501	1		Lock Washer, #8	H0155100	4	
4	Paper Roll Bearing	20322701	2		Flat Washer, #8	H0156300	4	
	Screw, 8-32 x 7/16	H0029600	2	16	Filter Choke Assy. Comp.	20099705	1	
	Lock Washer, #8	H0155100	2		Filter Cable Tie	E0230800	2	
	Flat Washer, #8	H0156300	2		Filler Tie Base	20213201	2	
			Screw, 8-32 x 3/16		H0582600	2		
5	Power Supply Assembly	20300001	1	17	Relay	19704101	1	
	Screw, 6-32 x 5/16	H0470200	4		Lock Washer, #8	H0155100	2	
	Lock Washer, #6	H0155000	4		Nut, 8-32	H0123200	2	
	Flat Washer, #6	H0156400	4					
6	Motor	20285401	2	18	Shutter PCB Assembly	20288501	1	
	Screw, 8-32 x 5/16	H0586000	4		P.C.B. Standoff	20293401	4	
	Lock Washer, #8	H0155100	4		19	Triac Assembly	20258001	1
	Flat Washer, #8	H0156300	4			P.C.B. Standoff	20293401	4
7	Pulley	20096101	2	20	Triac Board w/Rev. Relay	20284001	1	
	Spring Pin, 3/32 x 3/4	H0593000	2		P.C.B. Standoff	20293401	4	
8	Stud Plate	20278101	1	21	Interconnect P.C.B.	20238201	1	
	Nut, 1/4-21	H0144300	2		P.C.B. Standoff	20293401	4	
	Lock Washer, 1/4	H0155300	2	22	Temp. Control Board	20267901	1	
	Flat Washer, 1/4	H0156200	2		P.C.B. Standoff	20293401	4	
9	Cover	20315601	1	23	Transformer (fogger)	20353101	1	
	Screw, 8-32 x 1/4	H0471600	2		Lock Washer, Internal #8	H0154600	2	
	Lock Washer, #8	H0155100	2		Nut, 8-32	H0123200	2	
10	Grommet	06772907	1	24	Terminal Block	03692109	1	
11	Snap Bushing Plug	40142013	7		Nut, 6-32	H0904000	2	
12	Filler Plate Assembly	20354701	1	25	D.C. Panel Box Harness	20190901	1	
					26	Harness, D.C.	20354801	1
					27	Harness, A.C.	20242301	1

REPRODUCED FROM THE ORIGINAL DRAWING. THIS DRAWING IS THE PROPERTY OF ITA GRAPHICS CORP. REPRODUCTION OR DISSEMINATION OF THIS DRAWING OR INFORMATION CONTAINED HEREIN WITHOUT THE WRITTEN CONSENT OF ITA GRAPHICS CORP. DRAWING SYSTEMS DIVISION IS PROHIBITED.

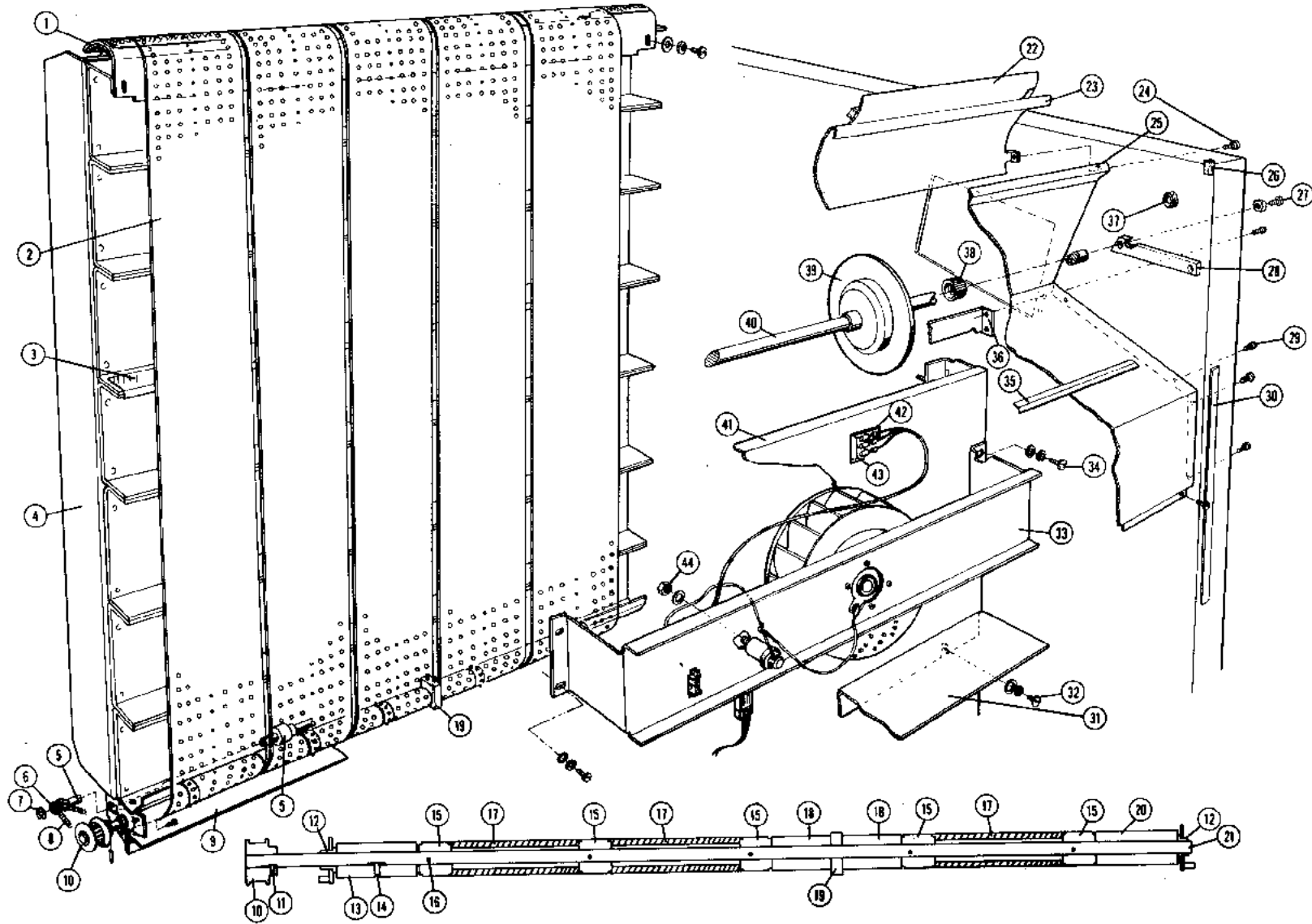


NOTICE: THIS CONTAINS CONFIDENTIAL, PROPRIETARY AND NON-PUBLIC INFORMATION OF ITEX GRAPHIX CORP. DUPLICATION OR REPRODUCTION IN WHOLE OR IN PART OR DISCLOSURE HEREOF TO UNAUTHORIZED PERSONS WITHOUT THE PRIOR WRITTEN CONSENT OF ITEX GRAPHIX CORP. GRAPHIC SYSTEMS DIVISION IS PROHIBITED.

MAGAZINE ASSEMBLIES

REF.	DESCRIPTION	PART NO.	QTY.	REF.	DESCRIPTION	PART NO.	QTY.
1	Guide, Upper, Belt	20261601	1	19	Roller Bushing	20319901	1
	Screw, 8-32 x 5/16	H0586000	2		Set Screw, 6-32 x 3/4	H0116100	2
	Lock Washer, #8	H0155100	2	20	Roller Segment	20261401	1
	Flat Washer, #8	H0156300	2	21	Shaft, Roller	20257201	1
2	Belt	20499901	5	22	Guide Assembly, Upper	20304201	1
3	Tape, 2"	40151357	A/R		Plastic Guide	20304001	1
4	Platen Assy. Complete	20240101	1		End Bracket w/hole	20303901	1
	Platen Only	20275901	1		End Bracket wo/hole	20304101	1
5	Platen Exit Roller Assy.	20276001	1		Tape, Double Sided, 3/4"	40151331	A/R
	Shaft Only	20256901	1		Tape, Single Sided, 2"	40151357	A/R
	Roller Only	20257901	2		Foam Tape	40151334	A/R
	Pin, 3/32 x 3/4	H0507700	2		Nut, 10-32	H0144400	2
6	Bearing	01371601	2		Lock Washer, #10	H0155200	2
7	E-Ring Retainer	H0933100	2		Flat Washer, #10	H0156000	2
8	Spring	09572400	2		Spacer, 1/4	40150178	2
9	Exit Guide, Platen	20262101	1	23	Lower Guide	20304401	1
10	Pulley	20096101	1	24	Screw, 10-32 x 3/4	H0465400	4
11	Pin, 3/32 x 3/4	H0509300	1		Lock Washer, #10	H0155200	4
12	Bearing	09258014	2		Flat Washer, #10	H0156000	4
13	Platen Roller, Adjustable	20261201	1	25	Roll Guard Assembly	20300701	1
14	Set Screw, 10-32 x 1/4	H0692800	1		Label, Supply	19657401	1
15	Sprocket, Belt	20180901	5	26	Foam Tape, 1/2" x 1"	40151334	A/R
16	Pin, 3/32 x 3/4	H0513700	5	27	Nylon Screw, 8-32 x 5/16	H0682200	1
17	Roller Segment	20261501	3		Nut, 8-32	H0144200	1
18	Roller Segment	20261301	2	28	Bearing, Roller Shaft	20322701	2
					Screw, 8-32 x 7/16	H0029600	4
					Lock Washer, #8	H0155100	4
					Flat Washer, #8	H0156300	4

NOTICE: THIS CONTAINS CONFIDENTIAL, PROPRIETARY AND NON-PUBLIC INFORMATION OF ITEX GRAPHICS CORP. DUPLICATION OR REPRODUCTION IN WHOLE OR IN PART, OR DISCLOSURE THEREOF TO UNAUTHORIZED PERSONS WITHOUT THE PRIOR WRITTEN CONSENT OF ITEX GRAPHICS CORP. GRAPHIC SYSTEMS DIVISION IS PROHIBITED.

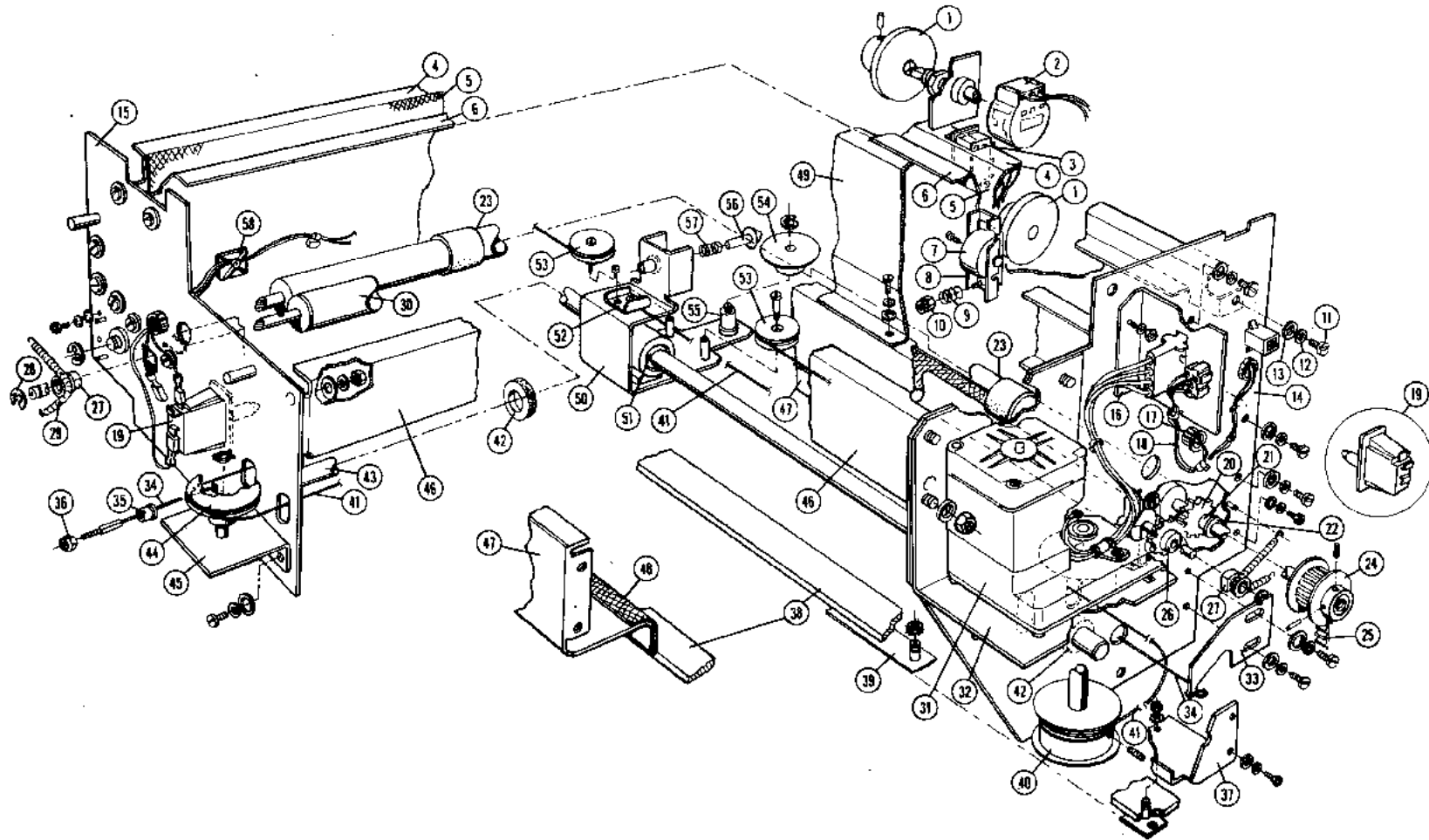


NOTICE: THIS CONTAINS CONFIDENTIAL, PROPRIETARY AND NON-PUBLIC INFORMATION OF ITEX GRAPHIX CORP. DUPLICATION OR REPRODUCTION IN WHOLE OR IN PART, OR DISCLOSURE HEREOF TO UNAUTHORIZED PERSONS WITHOUT THE PRIOR WRITTEN CONSENT OF ITEX GRAPHIX CORP. GRAPHIC SYSTEMS DIVISION IS PROHIBITED.

MAGAZINE ASSEMBLIES

REF.	DESCRIPTION	PART NO.	QTY.	REF.	DESCRIPTION	PART NO.	QTY.
29	Bolt, 1/4-20 x 1/2	H0477800	12	37	Plastic Plug, 1"	40142013	6
	Lock Washer, 1/4	H0155300	12	38	Nut, Spool	19162901	2
	Flat Washer, 1/4	H0156200	12	39	Spool End	20178301	2
30	Magnetic Strip	19806401	A/R	40	Spool Shaft	20315101	1
31	Air Baffle	20364101	1	41	Vacuum Back	20258201	1
32	Screw, 8-32 x 1/4	H0471600	3	42	Switch & Bracket	20264101	1
	Lock Washer, #8	H0155100	3		Assembly Complete		
	Flat Washer, #8	H0156300	3		Bracket, only	20258301	1
33	Centrif Blower Assy Comp	20291301	2		Screw, 8-32 x 1/4	H0471900	2
	Blower/Capacitor	20294201	2		Lock Washer, #8	H0155100	2
	Bracket	20312101	2		Flat Washer, #8	H0156300	2
	Screw, 4mm x 10mm	H0725000	4	43	Switch, only	19285001	1
	Lock Washer, #8	H0155100	4		Actuator	40140305	1
	Flat Washer, #8	H0156300	4		Screw, 4-40 x 3/4	H0584100	2
34	Screw, 10-32 x 3/8	H0465400	8		Lock Washer, #4	H0155700	2
	Lock Washer, #10	H0155200	8		Flat Washer, #4	H0156500	2
	Flat Washer, #10	H0156000	8	44	Nut, 8mm	H0740039	1
35	Scale	19047004	1		Lock Washer, 8mm	H0740148	1
	Scale Holder	20429401					
36	Knife Guide	20299801	1				
	Screw, 8-32 x 3/8	H0472100	4				
	Lock Washer, #8	H0155100	4				
	Flat Washer, #8	H0156300	4				

WARNING: THIS CONTAINS CONFIDENTIAL, PROPRIETARY AND NON-PUBLIC INFORMATION OF ITEX GRAPHIX CORP. REPRODUCTION OR REPRODUCTION IN WHOLE OR IN PART OR DISCLOSURE HEREOF TO UNAUTHORIZED PERSONS WITHOUT THE PRIOR WRITTEN CONSENT OF ITEX GRAPHIX CORP. OR GRAPHIX SYSTEMS DIVISION IS PROHIBITED.

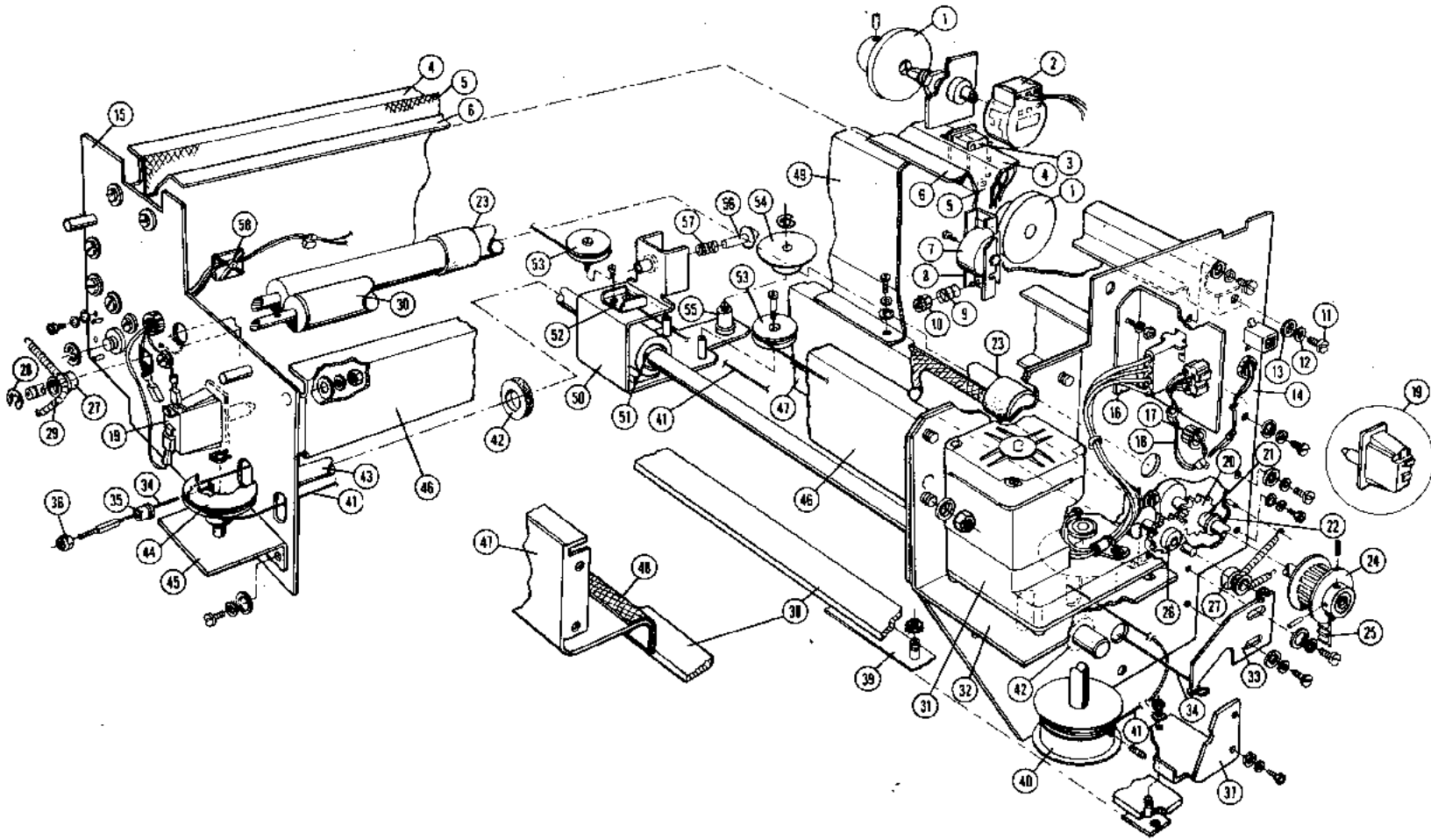


KNIFE ASSEMBLY 20291601

REF.	DESCRIPTION	PART NO.	QTY.
1	Roller	20297901	1
	Set Screw, 6-32 x 1/4	H0115900	1
2	Digital Potentiometer	20285501	1
3	Switch, No Material	19302201	1
	Nut Plate	19066001	1
	Screw, 4-40 x 3/4	H0584100	2
4	Guide Assembly	20299701	1
5	Guide Liner	20299401	1
6	Guide Assembly	20298301	1
7	Roller Assembly	20312001	1
	Screw, 6-32 x 1/4	H0470400	1
	Lock Washer, #6	H0155000	1
	Flat Washer, #6	H0156400	1
	Pem Standoff	H0913300	1
8	Bracket	20297801	1
9	Spring	01393900	1
10	Lock Nut, 8-32.	H0133600	2
11	Screw, 8-32 x 1/2	H0472200	18
12	Lock Washer, #8	H0155100	18
13	Flat Washer, #8	H0156300	18
14	Side Plate	20296201	1
15	Side Plate	20296301	1
16	Bracket	20299301	1
	Nut, 6-32	H0904000	2
	Flat Washer, #6	H0156400	2
17	Bushing	09204700	3
18	Harness	20308001	1
19	Switch	20128501	2

REF.	DESCRIPTION	PART NO.	QTY.
20	Gear	09238800	1
21	Bearing	09258021	2
22	Ring	H0932800	2
23	Input Roller	20262001	1
24	Pulley	20322901	1
	Pin, 3/32 x 3/4	H0230100	1
25	Belt	20311501	1
26	Gear, 16T	20309401	1
	Pin, 3/32 x 1/2	H0231500	1
27	Bearing	01371601	2
28	Ring, Retainer	H0933100	2
29	Spring	09572400	2
30	Roller	20309301	1
31	Motor Assy. Complete	20307901	1
	Screw, 8-32, 3/8	H0472100	2
	Lock Washer, #8	H0155100	2
	Flat Washer, #8	H0156300	2
	Screw, 10-32 x 3/8	H0465400	2
	Lock Washer, #10	H0155200	2
	Flat Washer, #10	H0156000	2
	Connector	40132514	1
32	Motor Bracket	20298101	1
	Nut, 1/4-20	H0144300	4
	Lock Washer, #10	H0155300	4
	Flat Washer, #10	H0156200	4
33	Spring, Cable	19886301	1
	Screw, 8-32 x 3/8	H0472100	2
	Lock Washer, #8	H0155100	2
	Flat Washer, #8	H0156300	2

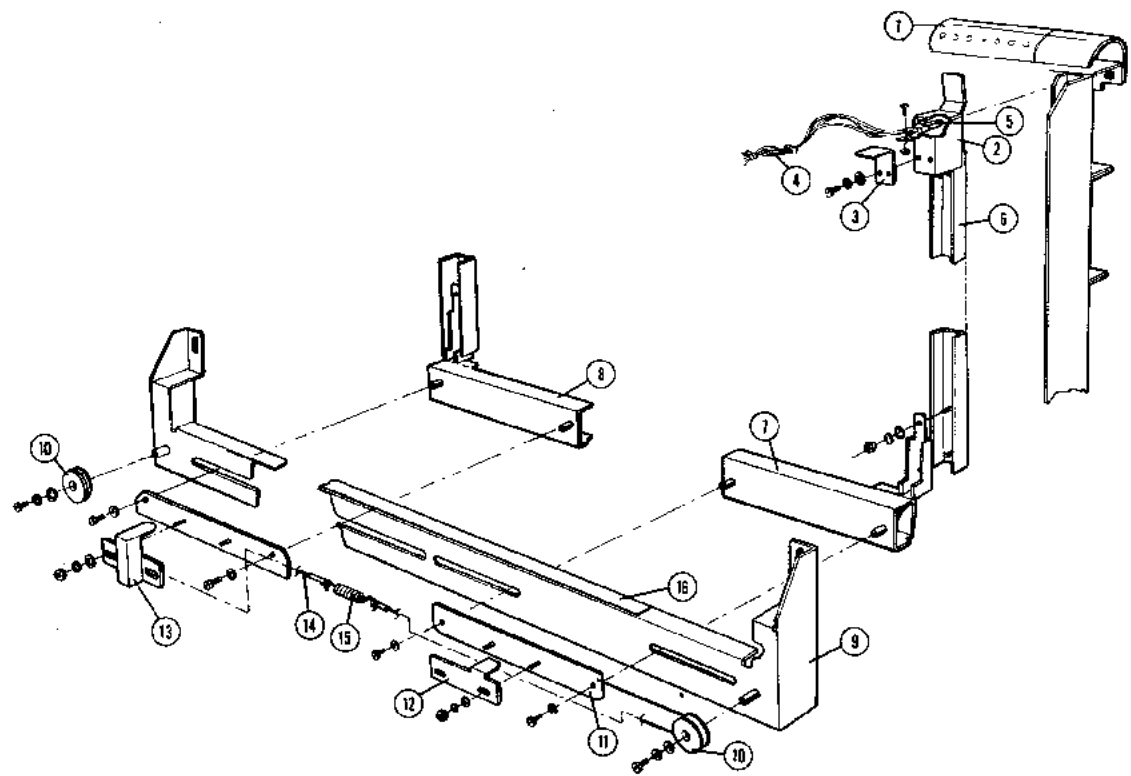
NOTICE: THIS CONTAINS CONFIDENTIAL, PROPRIETARY AND NON-PUBLIC INFORMATION OF ITEX GRAPHIX CORP. REPRODUCTION OR REPRODUCTION IN WHOLE OR IN PART OR DISCLOSURE HEREOF TO UNAUTHORIZED PERSONS WITHOUT THE PRIOR WRITTEN CONSENT OF ITEX GRAPHIX CORP. GRAPHIC SYSTEMS DIVISION IS PROHIBITED.



KNIFE ASSEMBLY 20291601

REF.	DESCRIPTION	PART NO.	QTY.	REF.	DESCRIPTION	PART NO.	QTY.
34	Cable, Fixed	20306801	1	48	Plastic Guide, Tape	40151370	1
35	Bearing	02447900	2		Tape, Double Sided	40151371	1
36	Nut, 8-32	H0491700	1	49	Light Shield	20314501	1
37	Guide	20298201	1		Screw, 8-32 x ¾	H0472100	4
38	Stationary Knife	20262301	1		Lock Washer, #8	H0155100	4
39	Plate Assembly	20297401	1		Flat Washer, #8	H0156300	4
	Nut, 8-32	H0904100	5	50	Carrier Assembly	20298801	1
	Flat Washer, #8	H0156300	5	51	Bearing Assembly	20311901	1
40	Pulley	20297501	1		Screw, 8-32 x ¾	H0472100	2
	Set Screw, 8-32 x ½	H0076900	2		Lock Washer, #8	H0155100	2
	Set Screw, 10-32 x ¾	H0116400	1		Flat Washer, #8	H0156300	2
41	Cable, Knife Motor	20312401	1	52	Clamp Plate	19696901	1
42	Bumper	20305401	2		Screw, 6-32 x ¾	H0065400	2
43	Shaft, Knife Carrier	20297101	1	53	Cable Roller	20297701	2
44	Pulley	19883701	1		Screw, 6-32 x ¼	H0470400	2
	Ring, Retainer	H0928600	1	54	Knife Wheel Assembly	20309801	1
45	Bracket Assembly	20297201	1		Ring, Retainer	H0928600	1
	Screw, 8-32 x ½	H0472200	2	55	Bearing, Thrust	09242002	2
	Lock Washer, #8	H0155100	2	56	Button	20297601	1
	Flat Washer, #8	H0156300	2	57	Spring, Compression	20314101	1
46	Stiffener	20295901	1		Ring, Retainer	H0928700	1
	Nut, 10-32	H0904200	4	58	Tie Base	19480101	4
	Flat Washer, #10	H0156000	4		Cable Tie	E0230700	6
47	Guide Assembly	20298401	1				

NOTICE: THIS CONTAINS CONFIDENTIAL, PROPRIETARY AND NON-PUBLIC INFORMATION OF ITEX GRAPHICS CORP. DUPLICATION OR REPRODUCTION IN WHOLE OR IN PART OR DISCLOSURE HEREOF TO UNAUTHORIZED PERSONS WITHOUT THE PRIOR WRITTEN CONSENT OF ITEX GRAPHICS CORP. OR ITEX SYSTEMS DIVISION IS PROHIBITED.



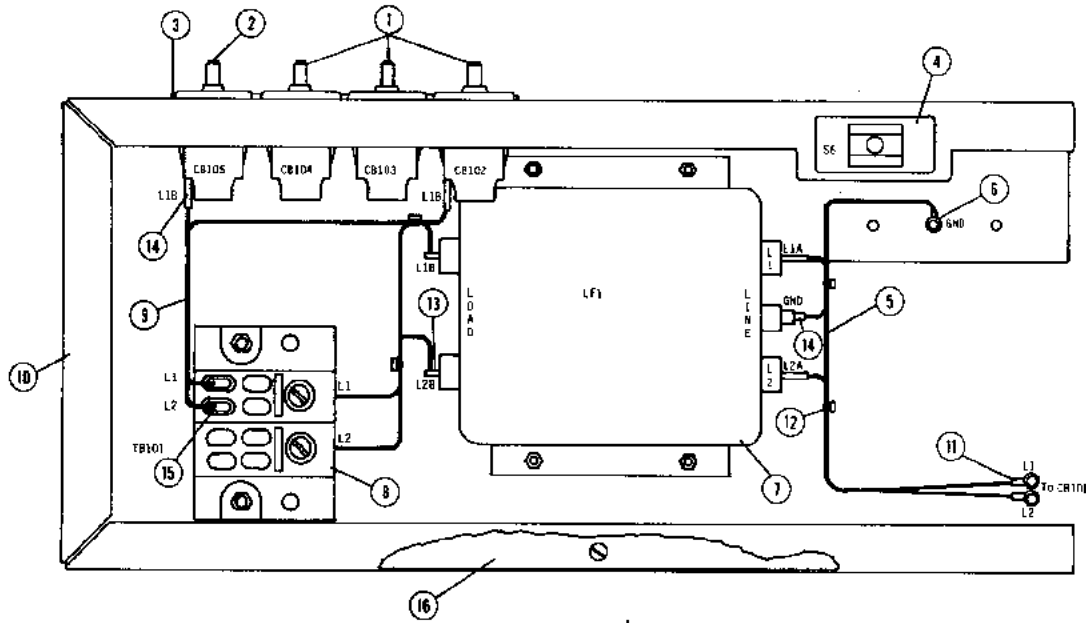
NOTICE: THIS CONTAINS CONFIDENTIAL, PROPRIETARY AND NON-PUBLIC INFORMATION OF ITX OLYMPIA CORP. DUPLICATION OR REPRODUCTION (IN WHOLE OR IN PART), OR DISCLOSURE HEREOF TO UNAUTHORIZED PERSONS WITHOUT THE PRIOR WRITTEN CONSENT OF ITX OLYMPIA CORP. OLYMPIA SYSTEMS DIVISION IS PROHIBITED.

SIDE GUIDE ASSEMBLY 20351901

REF.	DESCRIPTION	PART NO.	QTY.
1	Platen Assy. Complete	20240101	1
2	Lamp Box	20351002	2
3	Bracket	20363501	2
	Screw, 6-32 x 3/16	H0470400	4
	Lock Washer, #6	H0155000	4
4	Harness Assembly	20363501	1
	Screw, 4-40 x 5/16	H0585200	2
	Lock Washer, #4	H0155700	2
	Nut, 4-40	H0144500	2
5	Lamp	19214301	2
6	Channel Assembly	20351101	2
7	Tie Bracket Assy. RH	20351301	1
	Nut, 6-32	H0144100	4
	Lock Washer, #6	H0155000	4
	Flat Washer, #6	H0156400	2
8	Tie Bracket Assy. LH	20351201	1

REF.	DESCRIPTION	PART NO.	QTY.
9	Bracket Assembly	20351401	1
10	Pulley	20297701	2
	Screw, 6-32 x 3/16	H0470300	2
	Washer, #6	H0155000	2
11	Tie Plate Assembly	20350901	2
	Screw, 6-32 x 1/4	H0470400	4
	Lock Washer, #6	H0155000	4
12	Pointer	20361101	1
13	Pointer Handle	20361201	1
	Nut, 6-32	H0144100	4
	Lock Washer, #6	H0155000	4
	Flat Washer, #6	H0156400	4
14	Cable	20360801	1
15	Spring	19954401	1
16	Scale	20361701	1

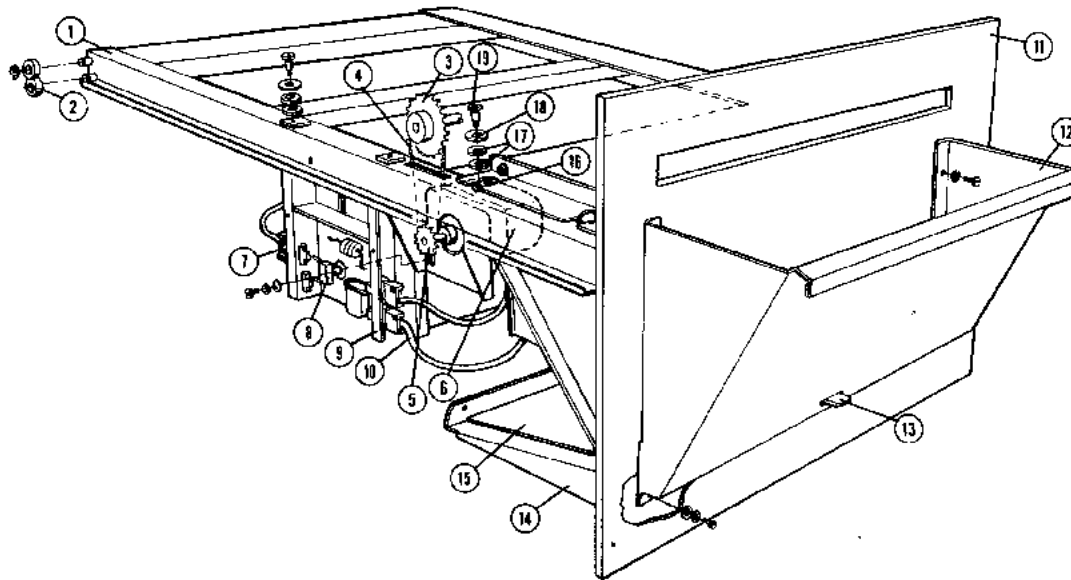
NOTICE: THIS CONTAINS CONFIDENTIAL, PROPRIETARY AND NON-PUBLIC INFORMATION OF ITIA OR METRIX CORP. REPLICATION OR REPRODUCTION IN WHOLE OR IN PART, OR DISCLOSURE HEREOF TO UNAUTHORIZED PERSONS WITHOUT THE PRIOR WRITTEN CONSENT OF ITIA OR METRIX CORP. OR METRIX SYSTEMS DIVISION IS PROHIBITED.



NOTICE: THIS CONTAINS CONFIDENTIAL, PROPRIETARY AND NON-PUBLIC INFORMATION OF ITEX GRAPHIX CORP. DUPLICATION OR REPRODUCTION (IN WHOLE OR IN PART) OR DISCLOSURE (IN WHOLE OR IN PART) TO UNAUTHORIZED PERSONS WITHOUT THE PRIOR WRITTEN CONSENT OF ITEX GRAPHIX CORP. GRAPHIC SYSTEMS DIVISION IS PROHIBITED.

ELECTRICAL BOX ASSEMBLIES 20302901

REF.	DESCRIPTION	PART NO.	QTY.
1	Circuit Breaker	40121702	3
2	Circuit Breaker	40121706	1
3	Label	20315301	1
4	Switch	20286901	1
	Switch Cheater	20323301	1
5	Harness	20242701	1
6	Terminal	E0015500	1
	Nut, 10-32	H0904200	1
7	R.F.I. Filter	40123911	1
	Nut, 6-32	H0122300	4
	Lock Washer, #6	H0154700	4
8	Terminal Block	19792402	1
	Nut, 8-32	H0904100	2
9	Harness	20348701	1
10	Electric Box	20339401	1
11	Terminal	08703908	2
12	Wire Tie	E0230700	5
13	Terminal	40131774	2
14	Terminal	40131767	3
15	Terminal	E0217203	2
16	Box Cover	20339701	1
	Screw, 8-32 x 5/16	H0586000	6
	Lock Washer, #8	H0155100	6

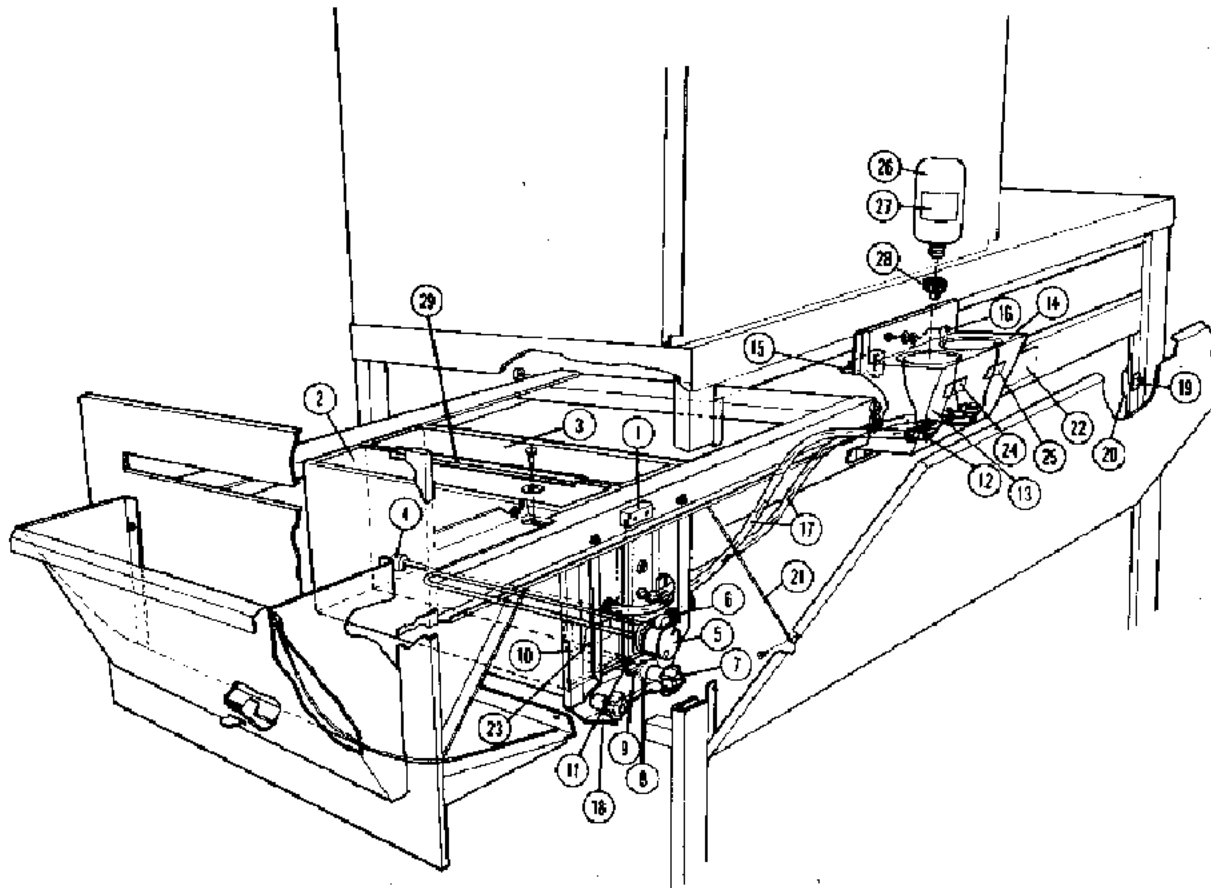


PROCESSOR ASSEMBLIES

REF.	DESCRIPTION	PART NO.	QTY.
1	Processor Frame	20275101	1
2	Bearing	20303201	6
	E-Ring Retainer	H0933000	6
3	Sprocket	09744591	1
	Set Screw, 10-32 x 1/4	H0116700	1
4	Chain	40144691	1
	Master Link	07294000	1
5	Sprocket, Motor	19104601	1
6	Motor	20313001	1
	Screw, 10-32 x 3/8	H0465400	4
	Flat Washer, #10	H0156000	4
	Lock Washer, #10	H0155200	4
7	Over Temperature Assy.	20339501	1
	Nut, 8-32	H0144200	4
	Lock Washer, #8	H0155100	4
8	Thermostat	20535001	1
9	Processor Box Assembly	20315801	1
10	Harness, Dryer	20242101	1
11	Back Door Assembly	20311101	1

REF.	DESCRIPTION	PART NO.	QTY.
12	Plate Catcher	20310401	1
	Screw, 10-32 x 3/8	H0465400	5
	Lock Washer, #10	H0155200	5
13	Paper Stop Assembly	20310301	1
	Nut, 8-32	H0144200	4
	Lock Washer, #8	H0155100	4
14	Chute, Bottom Assembly	20311401	1
15	Paper Slide	20310901	1
16	Washer	19348601	8
17	Vibration Isolator	19803201	16
18	Washer	09888600	8
19	Screw, 10-32 x 1/4	H0473000	8
20	Drain Trough	20364002	1
	Flat Washer, #10	H0156000	2
	Lock Washer, #10	H0155200	2
	Nut, 10-32	H0144400	2
	Screw, 10-32 x 3/8	H0465400	2

REPRODUCED FROM THE CONFIDENTIAL, PROPRIETARY AND NON-PUBLIC INFORMATION OF Itek GRAPHIC CORP. DUPLICATION OR REPRODUCTION IN WHOLE OR IN PART, OR DISCLOSURE HEREOF TO UNAUTHORIZED PERSONS WITHOUT THE PRIOR WRITTEN CONSENT OF Itek GRAPHIC CORP. GRAPHIC SYSTEMS DIVISION IS PROHIBITED.

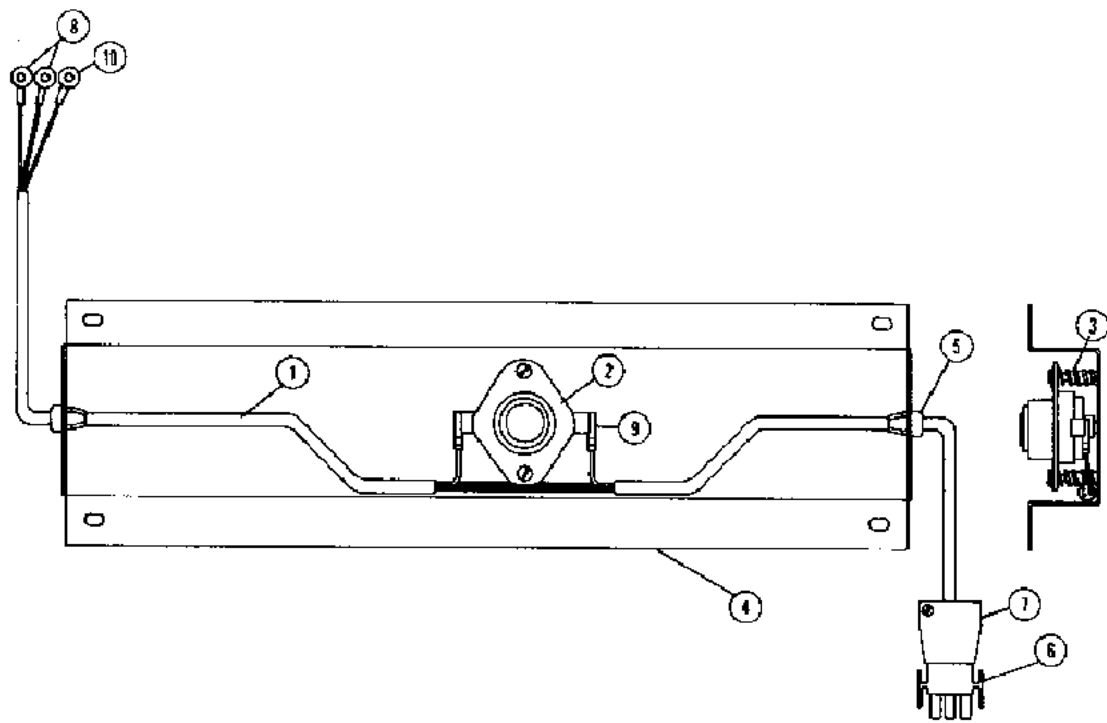


NOTICE: THIS CONTAINS CONFIDENTIAL, PROPRIETARY AND NON-PUBLIC INFORMATION OF TEXAS INSTRUMENTS CORPORATION. REPRODUCTION OR TRANSMISSION IN WHOLE OR IN PART, OR DISCLOSURE HEREOF TO UNAUTHORIZED PERSONS WITHOUT THE PREVIOUS WRITTEN CONSENT OF TEXAS INSTRUMENTS CORPORATION IS PROHIBITED.

PROCESSOR ASSEMBLIES

REF.	DESCRIPTION	PART NO.	QTY.	REF.	DESCRIPTION	PART NO.	QTY.
1	Guide, Stop	20273101	2	17	Hose	20295401	2
	Screw, 10-32 x 3/8	H0465400	2	18	Tank Support	20290901	1
	F.H. Screw, 10-32 x 3/8	H0016100	2	19	Interlock Switch	20286901	1
2	Fixer Tank	19640201	1		Nut, 8-32	H0144200	2
3	Developer Tank	19640301	1		Lock Washer, #8	H0155100	2
4	Thermostat	20535001	1		Switch Cheater	20323301	A/R
5	Heater	20290301	1		Strain Relief	40128304	1
6	Clamp, Electrical	08703600	1	20	Switch Cover	20293001	1
7	Valve	09716600	2	21	Cable, Door Stop	20313601	1
8	Nut	19138401	2		Screw, 8-32 x 1/2	H0472200	1
9	Nipple, Drain	09717000	2		Nut, 8-32	H0144200	2
10	Hose, Drain	20294701	2	22	Label, Fire	19542201	1
11	Hose Clamp	08327605	8	23	Label, Tank	19542301	1
12	Elbow	09239800	2	24	Label, Stabilizer	20389301	1
	SEt Screw, 10-32 x 3/16	H0691200	2	25	Label, Activator	20389401	1
13	Filling Spout	08541700	2	26	Bottle	PIC01600	2
14	Replenisher Box	20294601	1	27	Label, Developer	19751001	1
	Cover, Bottom	20271701	1		Label, Stabilizer	19751101	1
	Screw, 8-32 x 1/2	H0472100	1	28	Bottle Cap	19634201	2
15	Bracket	20270501	1	29	Tank Guide	19898601	2
16	Bracket	20294801	1		Spacer, Tank	19668201	1
	Bolt, 1/4-21 x 1/2	H0477800	8				
	Lock Washer, 1/4	H0156200	8				
	Flat Washer, 1/4	H0155300	8				

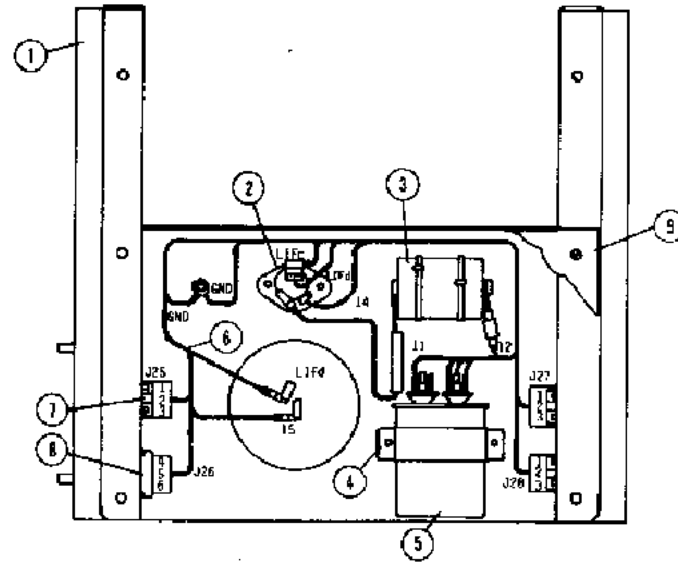
THIS CONTAINS CONFIDENTIAL INFORMATION AND IS NOT TO BE RELEASED TO THE PUBLIC OR TO ANY OTHER PERSONS WITHOUT THE EXPRESS WRITTEN CONSENT OF ITEX GRAPHICS CORP. GRAPHIC SYSTEMS DIVISION.



NOTICE: THIS CONTAINS CONFIDENTIAL, PROPRIETARY AND NON-PUBLIC INFORMATION OF ITEX GRAPHIX CORP. DUPLICATION OR REPRODUCTION IN WHOLE OR IN PART OR DISCLOSURE HEREOF TO UNAUTHORIZED PERSONS WITHOUT THE PRIOR WRITTEN CONSENT OF ITEX GRAPHIX CORP. GRAPHIC SYSTEMS DIVISION IS PROHIBITED.

OVERTEMPERATURE ASSEMBLY 20339501

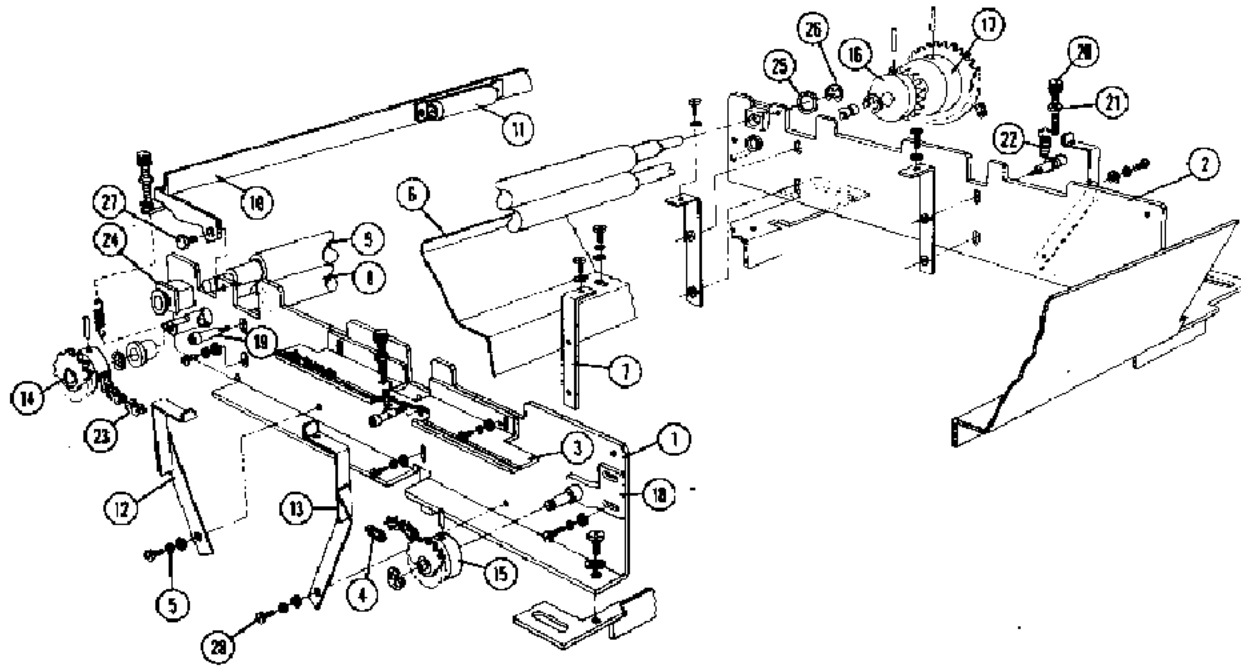
REF.	DESCRIPTION	PART NO.	QTY.
1	Harness	20326201	1
2	Over Temperature Switch	19406901	1
	Screw, 6-32 x 5/8	H0066500	2
	Flat Washer, #6	H0156400	2
	Locktite Adhesive	H0880900	A/R
3	Spring	20125301	2
4	Mount	20303301	1
5	Strain Relief	08740202	2
6	Connector	40132503	1
	Terminal	40131755	2
	Terminal	40131785	1
	Tapping Screw, #6 x 3/8	H0260500	2
7	Cable Clamp	19919503	2
8	Terminal	E0015500	2
9	Terminal	40131774	2
10	Terminal, GRN	E0044100	1
	Heat Sink	H0833700	A/R
	Nut, 8-32	H0144200	4
	Lock Washer, #8	H0155100	4



PROCESSOR DISTRIBUTION BOX ASSEMBLY 20315801

REF.	DESCRIPTION	PART NO.	QTY.
1	Tank Support Assembly	20291101	1
2	Triac	20118201	1
	Flat Washer, #4	H0158500	2
	Lock Washer, #4	H0155700	2
	Nut, 4-40	H0144500	2
3	Filter Choke Assembly	20097704	1
	Wire Tie Base	20213211	2
	Wire Tie Wrap	E0230800	2
	Screw, 8-32 x 1/4	H0471900	2
4	Capacitor Bracket	09684700	1
	Lock Washer, #8	H0158400	2
	Nut, 8-32	H0144200	2
5	Capacitor	08700135	1
	Capacitor Cover	07134200	1
6	Harness Assembly	20241901	1
7	Connector, 3 pin	40132517	3
	Wire Splice	20318301	2
8	Connector, 6 pin	40132518	1
9	Box Cover	20535101	1
	Screw, 8-32 x 3/8	H0472100	4
	Lock Washer, #8	H0155100	4

WARNING: THIS CONTAINS CONFIDENTIAL, PROPRIETARY AND NON-PUBLIC INFORMATION OF ITT CORPORATION. DUPLICATION OR REPRODUCTION IN WHOLE OR IN PART OR DISCLOSURE HEREOF TO UNAUTHORIZED PERSONS WITHOUT THE PRIOR WRITTEN CONSENT OF ITT CORPORATION, GRAPHIC SYSTEMS DIVISION IS PROHIBITED.

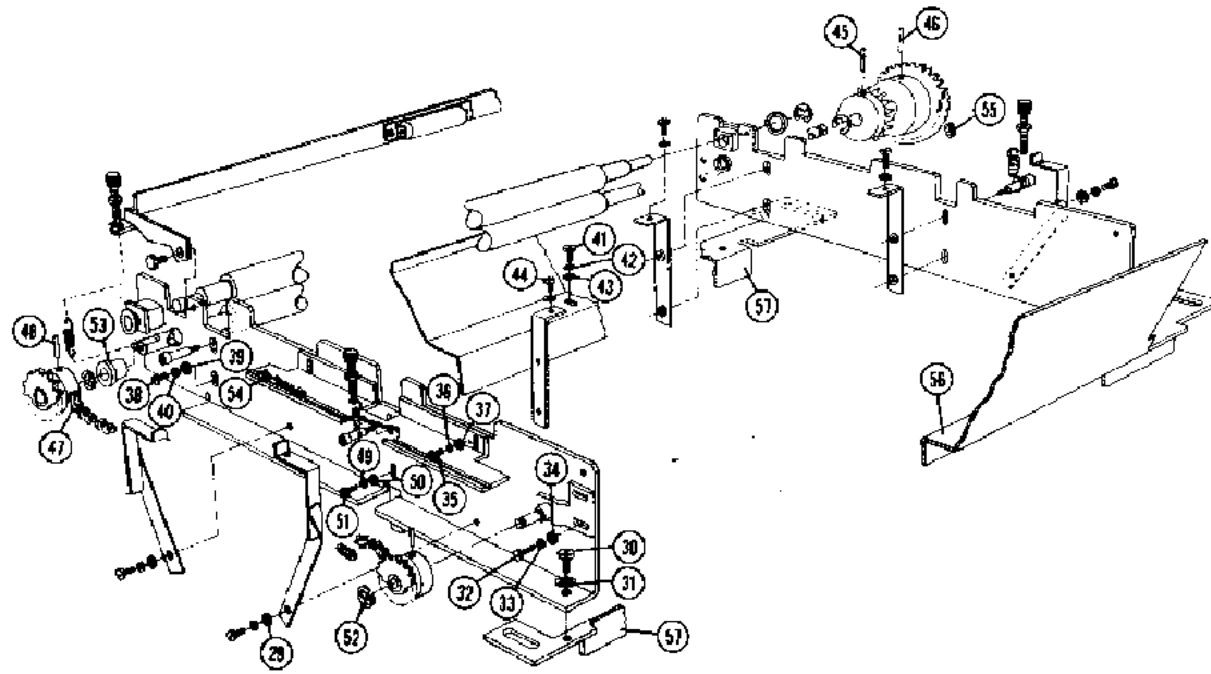


NOTES: THIS CONTRACT IS CONFIDENTIAL, PROPRIETARY AND NON-PUBLIC INFORMATION OF ITEX GRAPHIX CORP. DUPLICATION OR REPRODUCTION IN WHOLE OR IN PART IS PROHIBITED WITHOUT THE WRITTEN CONSENT OF ITEX GRAPHIX CORP. GRAPHIC SYSTEMS DIVISION IS PROHIBITED.

TOP FRAME ASSEMBLY 20284201

REF.	DESCRIPTION	PART NO.	QTY.	REF.	DESCRIPTION	PART NO.	QTY.
1	Side Frame	19660001	1	15	Sprocket	07892000	1
2	Side Frame	16659901	1	16	Sprocket	08697000	1
3	Chain Guide	19652001	1	17	Drive Sprocket	09744591	1
4	Connecting Link	07526800	1	18	Idler Bracket	19650201	1
5	Lock Washer, 1/4"	H0155300	4	19	Screw	19712901	4
6	Drip Tray	19652901	1	20	Adjusting Screw	19651501	6
7	Bracket	20499301	4	21	Nut, 10-32	H0144400	6
8	Lower Squeegee Roller	19637201	1	22	Spring	19651401	6
9	Upper Squeegee Roller	19636101	1	23	Chain	40144740	1
10	Adjusting Bracket Only	20366501	1	24	Upper Bearing	19650401	2
11	Back Up Roller Assy.	05745601	1	25	Washer, 3/8	H0156800	2
	Roller	06885700	1	26	E-Ring	H0933000	2
	Shaft	06885600	1	27	Screw	01318001	2
	Retainer	H0900300	2	28	Screw	08918101	4
12	Hold Down Clip	19860602	2				
13	Hold Down Clip	19860601	2				
14	Sprocket	09700100	1				

NOTICE: THIS CONTAINS CONFIDENTIAL, PROPRIETARY AND NON-PUBLIC INFORMATION OF ITEX GRAPHIC CORP. DUPLICATION OR REPRODUCTION (IN WHOLE OR IN PART) OR DISCLOSURE THEREOF TO UNAUTHORIZED PERSONS WITHOUT THE WRITTEN CONSENT OF ITEX GRAPHIC CORP. GRAPHIC SYSTEMS DIVISION IS PROHIBITED.

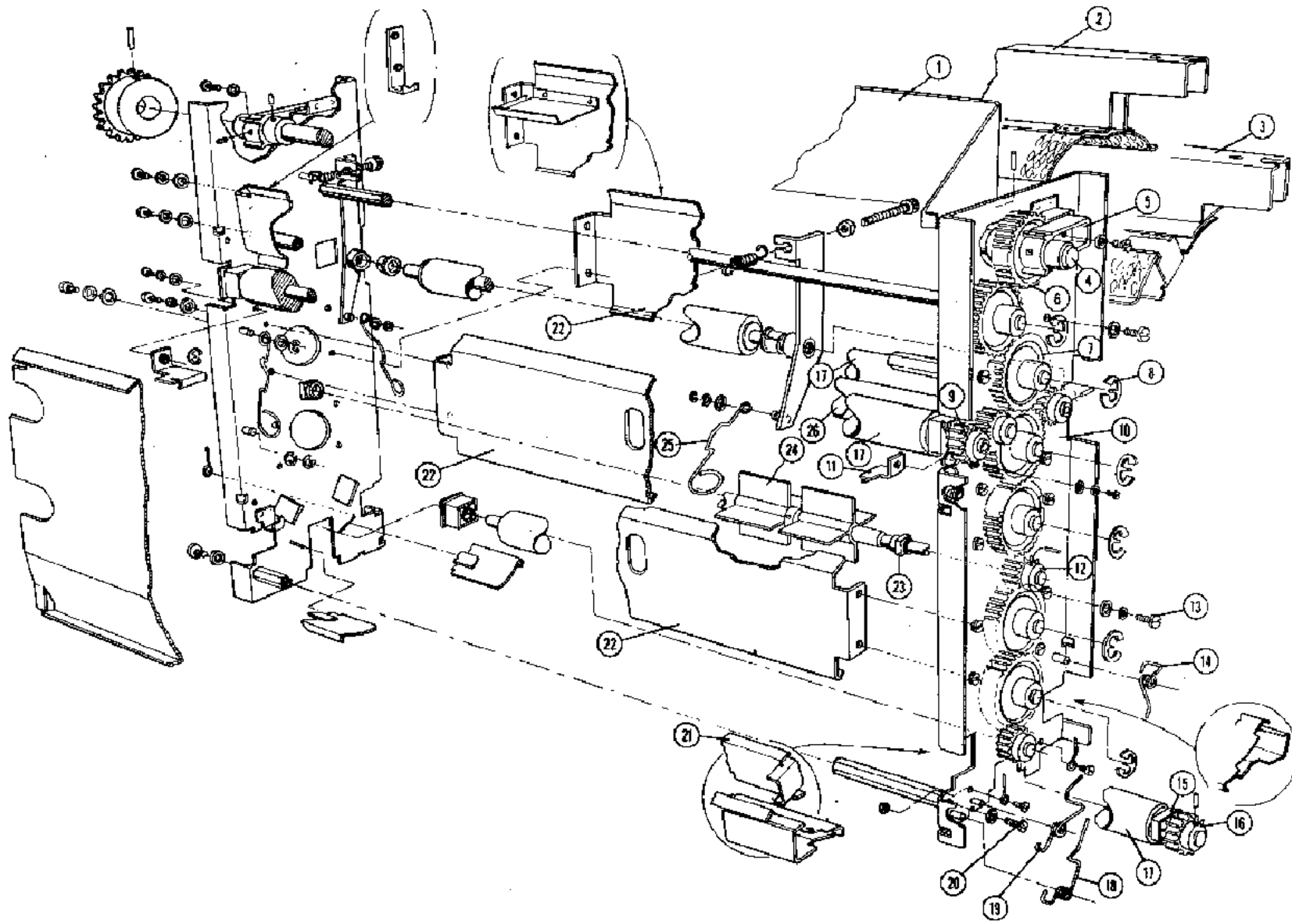


TOP FRAME ASSEMBLY 20264201

REF.	DESCRIPTION	PART NO.	QTY.
29	Washer, ¼	H0190300	1
30	Screw, ¼-20 x ½	H0468300	4
31	Lock Washer, ¼	H0155300	4
	Flat Washer, ¼	H0156200	4
32	Hex Head Bolt	H0480000	2
33	Lock Washer, #10	H0155200	2
34	Flat Washer, #10	H0156000	2
35	Screw, 8-32 x ½	H0480700	2
36	Lock Washer, #8	H0155100	2
37	Flat Washer, #8	H0156300	2
38	Screw, 8-32 x ½	H0472200	4
39	Lock Washer, #8	H0155100	4
40	Flat Washer, #8	H015300	4
41	Screw, 10-32 x ½	H0465200	4
42	Flat Washer, #10	H0153000	4
43	Lock Washer, #10	H0155200	4
44	Screw, 8-32 x ¼	H0044900	4
45	Set Screw, 10-32 x ¼	H0116700	1

REF.	DESCRIPTION	PART NO.	QTY.
46	Set Screw, ¼-20 x ½	H0069700	1
47	Master Link	07526800	1
48	Set Screw, 10-32 x ¼	H0116700	1
49	Flat Washer, #8	H0156300	4
50	Lock Washer, #8	H0155100	4
51	Screw, 8-32 x ½	H0472200	4
52	E-Ring	H0933000	2
53	Lower Squeegee Bearings	06822100	2
54	Rack Drive Chain	40144740	1
NS	Dryer Drive Chain	40146612	1
	Master Link (Dryer)	07294000	1
55	Processor Motor Chain	40144691	1
56	Shield	19653001	1
57	Bracket	20264801	2

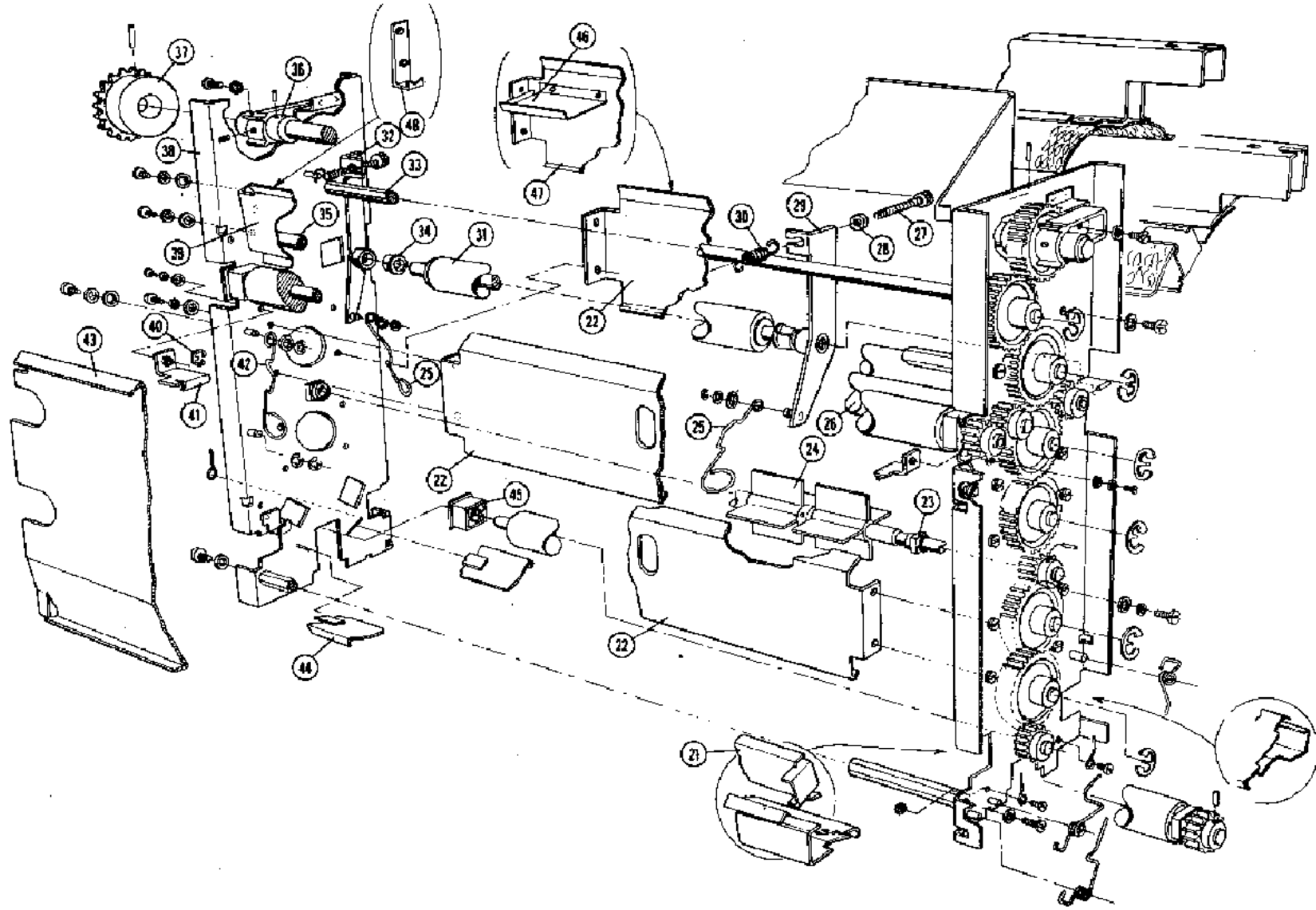
NOTICE: THIS CONTAINS CONFIDENTIAL, PROPRIETARY AND NON-PUBLIC INFORMATION OF ITEX GRAPHIX CORP. DUPLICATION OR REPRODUCTION (IN WHOLE OR IN PART) OR DISCLOSURE HEREOF TO UNAUTHORIZED PERSONS WITHOUT THE PRIOR WRITTEN CONSENT OF ITEX GRAPHIX CORP. GRAPHIX SYSTEMS DIVISION IS PROHIBITED.



DEVELOPER RACK ASSEMBLY 19669401 — STABILIZER RACK ASSEMBLY 19669301

REF.	DESCRIPTION	PART NO.	QTY.	REF.	DESCRIPTION	PART NO.	QTY.
1	Plate Guide	20270401	1	14	Spring	19664901	8
2	Guide, Center	19661801	1	15	Bearing	09699500	10
3	Guide, Exit	19663701	1	16	Gear 20T	19635401	4
4	Shaft	19667801	1		Pin, 3/32 x 3/4	H0509300	7
5	Bearing	07434001	2	17	Roller	19637101	3
	Bearing Insert	09768100	2	18	Spring	19664901	8
	Screw, 10-32 x 9/16	H0472900	4	19	Spring	19672601	2
6	Gear 30T	19635501	1	20	Screw, 10-32 x 9/16	H0472900	8
	Pin, 3/32 x 3/4	H0509300	8		Flat Washer, #10	H0156000	8
7	Gear 34T	19635601	6		Lock Washer, #10	H0155200	8
8	Ring, Retaining	H0933000	14	21	Guide	19951301	2
9	Gear	19844601	1	22	Guide, Narrow	19656001	3
10	Side Plate	19653701	1	NS	Guide, Bottom, Upside	19727701	1
11	Guide Retainer	19654601	2	23	Bearing	09787800	2
	Screw, 6-32 x 5/16	H0470200	4	24	Paddle Shaft Assembly	19655801	1
	Flat Washer, #6	H0156400	4		Shaft	19655901	1
	Lock Washer, #6	H0155000	4		Paddle	20209801	6
12	Gear 14T	19635701	2				
	Pin, 3/32 x 1/2	H0509200	1				
13	Screw, Pan Head 8 x 32	H0586000	16				
	Flat Washer, #8	H0156300	16				
	Lock Washer, #8	H0155100	16				

NOTICE: THIS CONTAINS CONFIDENTIAL, PROPRIETARY AND NON-PUBLIC INFORMATION OF ITT CANONICAL CORP. REPRODUCTION OR REPRODUCTION IN WHOLE OR IN PART OR DISCLOSURE HEREOF TO UNAUTHORIZED PERSONS WITHOUT THE PRIOR WRITTEN CONSENT OF ITT CANONICAL CORP. ORBITAL SYSTEMS DIVISION IS PROHIBITED.

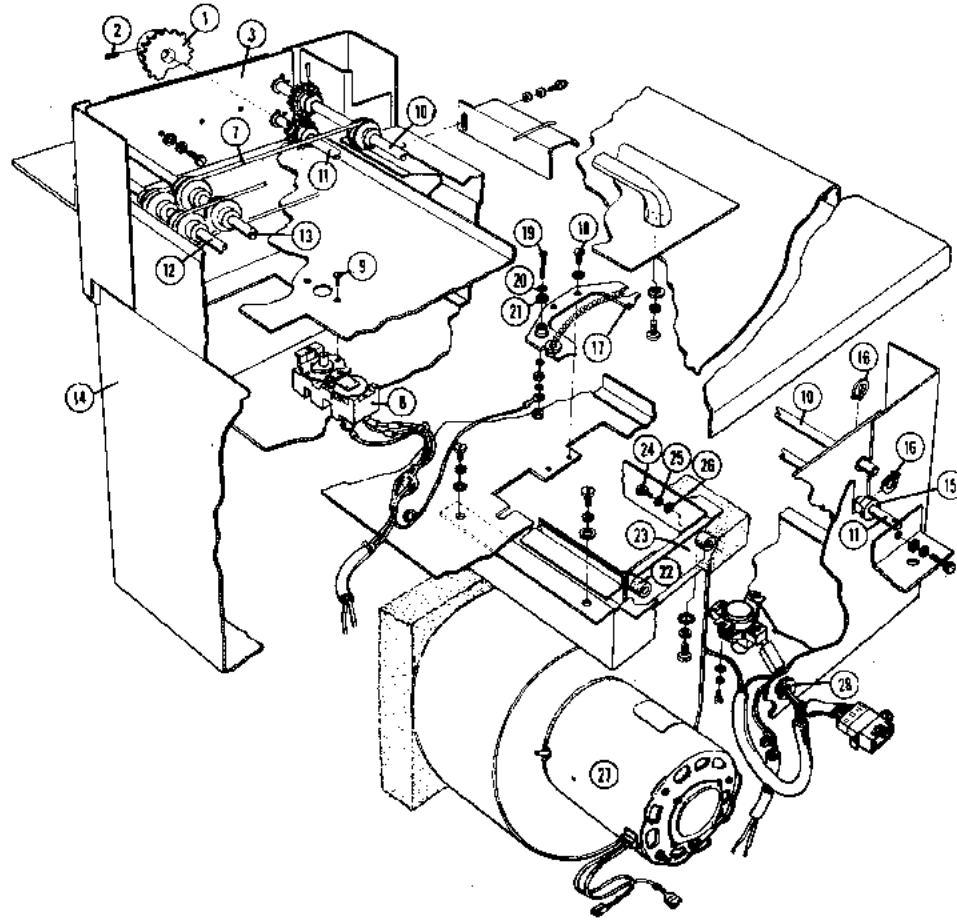


NOTICE: THIS CONTAINS CONFIDENTIAL, PROPRIETARY AND NON-PUBLIC INFORMATION OF ITSC GRAPHIX CORP. DUPLICATION OR REPRODUCTION (IN WHOLE OR IN PART) OR DISCLOSURE HEREOF TO UNAUTHORIZED PERSONS WITHOUT THE PRIOR WRITTEN CONSENT OF ITSC GRAPHIX CORP. GRAPHIC SYSTEMS DIVISION IS PROHIBITED.

DEVELOPER RACK ASSEMBLY 19669401 — STABILIZER RACK ASSEMBLY 19669301

REF.	DESCRIPTION	PART NO.	QTY.	REF.	DESCRIPTION	PART NO.	QTY.
25	Spring	19695701	2	40	Retainer	H0932800	1
	Retainer	H0932600	2	41	Guide Retainer	19654701	2
	Flat Washer, #8	H0156300	2	42	Spring	19695601	2
26	Roller Assembly, Steel	19641501	2		Retainer	H0932600	2
27	Screw	19651501	2		Flat Washer, #8	H0156300	2
28	Lock Nut, 10-32	H0493200	2	43	Guide, Entrance	19655401	1
29	Pivot Arm	19657701	1		Guide, Exit	20486901	1
30	Spring	19651401	2	44	Guide, Exit	19951701	1
31	Roller	19636601	1	45	Guide, Entrance	20449201	1
32	Pivot Arm	19653401	1		Bearing	09699500	10
33	Tie Bar, Hex	19655701	3	46	Guide, (Stabilizer Rack Only)	19952701	1
34	Bearing, Nyliner	40141119	2	47	Stiffener (Stabilizer Rack Only)	19950801	1
35	Tie Bar, Round	19655601	1		Lock Washer, #8	H0155100	8
36	Collar	07425200	1		Nut, 8-32	H0144200	8
	Set Screw, 6-32 x 1/8	H0116200	1	48	Guide Retainer (Stabilizer Rack Only)	19655501	1
37	Sprocket	09673800	1	NS	Guide Retainer (Stabilizer Rack Only)	19658801	1
	Set Screw, 1/4-20 x 3/4	H0115300	1		Screw, 8-32 x 5/16	H0586000	4
38	Side Plate	19653801	1		Flat Washer, #8	H0156300	4
39	Guide (Activator Rack Only)	19655301	1		Lock Washer, #8	H0155100	4
	Screw, 8-32 x 5/16	H0586000	4				
	Flat Washer, #8	H0156300	4				
	Lock Washer, #8	H0155100	4				

NOTE: THIS CONTAINS CONFIDENTIAL, PROPRIETARY AND NON-PUBLIC INFORMATION OF ITRK GRAPHIC CORP. DUPLICATION OR REPRODUCTION IN WHOLE OR IN PART OR DISCLOSURE HEREOF TO UNAUTHORIZED PERSONS WITHOUT THE WRITTEN CONSENT OF ITRK GRAPHIC CORP. GRAPHIC SYSTEMS DIVISION IS PROHIBITED.



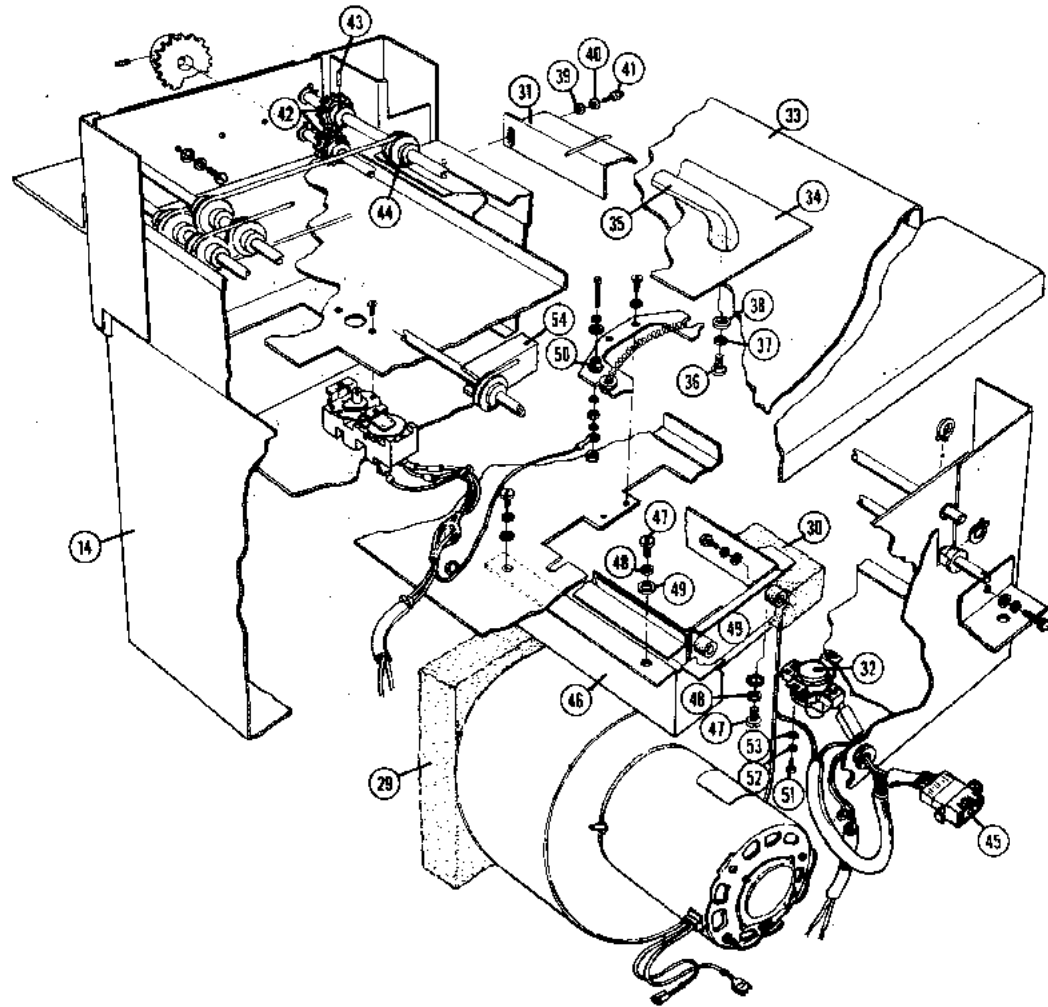
DRYER ASSEMBLY 20243301

REF.	DESCRIPTION	PART NO.	QTY.
1	Sprocket	09744556	1
2	Set Screw, 10-32 x 3/8	H0116400	1
3	Bearing Plate	19645701	2
4	Screw, 8-32 x 3/8	H0472100	2
5	Washer, #8	H0156300	2
6	Lock Washer, #8	H0155100	2
7	Rubber Dryer Belt	19511301	19
8	Temperature Controller	19634901	1
	Arc Suppressor	20374201	1
9	Screw, #6 x 1/4	H0263400	2
10	*Upper Shaft Assembly	19860301	1
	Shaft Only	19645901	1
11	*Lower Shaft Assembly	19860401	1
	Shaft Only	19646401	1
12	*Lower Shaft Assembly	19787301	1
	Shaft Only	19645901	1
13	*Upper Shaft Assembly	19787201	1
	Shaft Only	19645901	1
14	Dryer Shell	19648201	1

REF.	DESCRIPTION	PART NO.	QTY.
15	Bearing	09787800	8
16	Grip Ring	H0928700	16
17	Heater Assembly	19765501	1
18	Screw, 6-32 x 5/16	H0470200	2
19	Screw, 6-32 x 3/4	H0003900	2
20	Washer, #6	H0156400	4
21	Lock Washer, #6	H0155000	4
22	Shock Mount	09773400	4
23	Blower Bracket Assy.	19652501	1
24	Hex Head Screw	H0482700	4
	8-32 x 5/16		
25	Washer, #8	H0156300	4
26	Lock Washer, #8	H0155100	4
27	Blower	20291801	1
28	Grommet	E0227900	1

* Includes pulleys and gears.

NOTICE: THIS CONTAINS CONFIDENTIAL, PROPRIETARY AND NON-PUBLIC INFORMATION OF ITEN GRAPHICS CORP. REPLICATION OR REPRODUCTION IN WHOLE OR IN PART OR DISCLOSURE HEREOF TO UNAUTHORIZED PERSONS WITHOUT THE PRIOR WRITTEN CONSENT OF ITEN GRAPHICS CORP. GRAPHIC SYSTEMS DIVISION IS PROHIBITED.

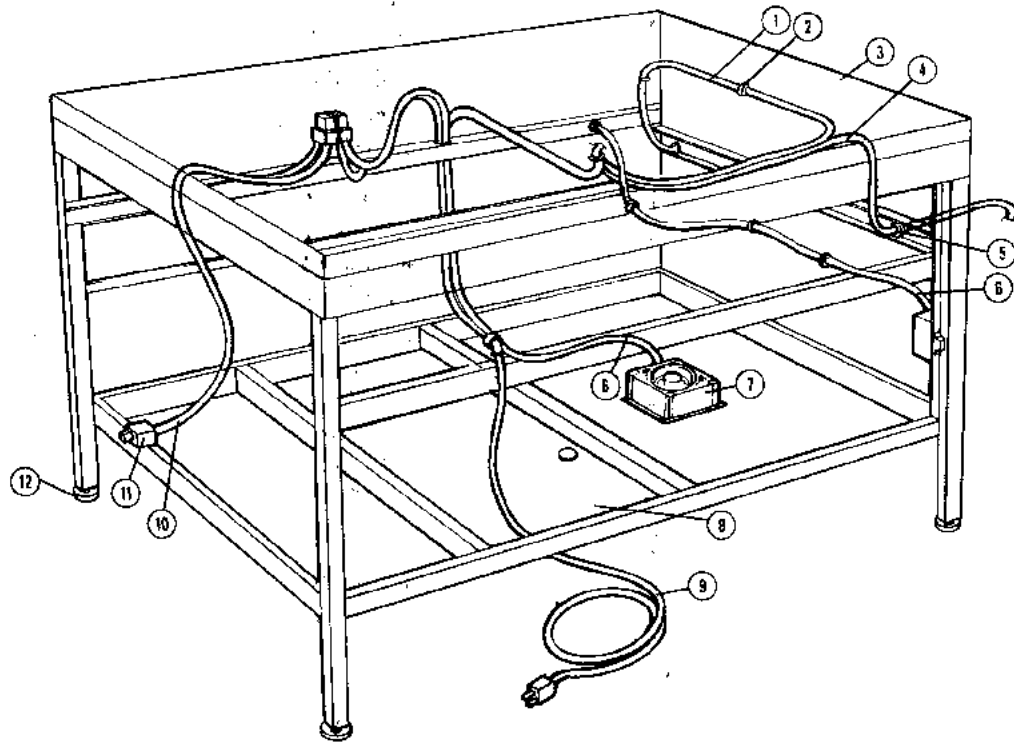


REMARKS: THIS CONTAINS CONFIDENTIAL, PROPRIETARY AND NON-PUBLIC INFORMATION OF ITEX GRAPHICS CORP. DUPLICATION OR REPRODUCTION IN WHOLE OR IN PART OR DISCLOSURE HEREOF TO UNAUTHORIZED PERSONS WITHOUT THE PRIOR WRITTEN CONSENT OF ITEX GRAPHICS CORP. GRAPHIC SYSTEMS DIVISION IS PROHIBITED.

DRYER ASSEMBLY 20243301

REF.	DESCRIPTION	PART NO.	QTY.	REF.	DESCRIPTION	PART NO.	QTY.
29	Foam Seal	19512001	1	43	Pin, 3/32 x 3/8	H0507500	1
30	Foam Seal	19530401	1	44	Pulley	19511401	38
31	Guide	19786501	2	NS	Pulley Retainer	40149216	38
32	Overload Switch	19635001	1	45	Harness Assembly	20337801	1
33	Cover Assembly	19648101	1	46	Bracket Assembly	09646501	1
34	Heat Shield	19653201	1	47	Screw, 8-32 x 5/16	H0586000	4
35	Handle	19531401	1	48	Washer, #8	H0156300	4
36	Screw, 10-32 x 3/8	H0465400	2	49	Lock Washer, #8	H0155100	4
37	Washer, #10	H0156000	2	50	Bushing	19544401	1
38	Lock Washer, #10	H0155200	2	51	Screw, 6-32 x 5/16	H0470200	2
39	Washer, #8	H0156300	4	52	Lock Washer, #6	H0155000	2
40	Lock Washer, #8	H0155100	4	53	Washer, #6	H0156400	2
41	Nut, 8-32	H0144200	4	54	Bar, Spacer	20221401	1
42	Gear	19860201	2				

NOTICE: THIS CONTAINS CONFIDENTIAL, PROPRIETARY AND NON-PUBLIC INFORMATION OF ITT CORPORATION. COPIES, REPRODUCTION OR REPERCUSSION (IN WHOLE OR IN PART) OR DISCLOSURE HEREOF TO UNAUTHORIZED PERSONS WITHOUT THE EXPRESS WRITTEN CONSENT OF ITT CORPORATION, GRAPHIC SYSTEMS DIVISION, IS PROHIBITED.



BASE UNIT

REF.	DESCRIPTION	PART NO.	QTY.
1	Cable, Lamp H.S.	20242502	1
2	Cable Tie	E0230700	A/R
3	Base Assembly	20254001	1
4	Cable, Lamp L.S.	20242501	1
5	Connector	40132604	2
6	Cable, Switch/Fan	20293901	1
	Connector	40132504	1
	Clamp	19919504	1
	Terminal	40131762	4
	Terminal	40131779	2
	Terminal, Connector	40131755	4
7	Fan	20290001	1
	Nut, 6-32	H0904000	4
	Finger Guard	19817501	1
8	Drip Pan	20274901	1
9	Power Cord	20004701	1
	Plug, Male	20009801	1
10	Harness, Processor	20241801	1
11	Connector	40132507	2
	Clamp	19919505	2
12	Foot	20264401	4
	Nut, 1/2-13	H0125500	4