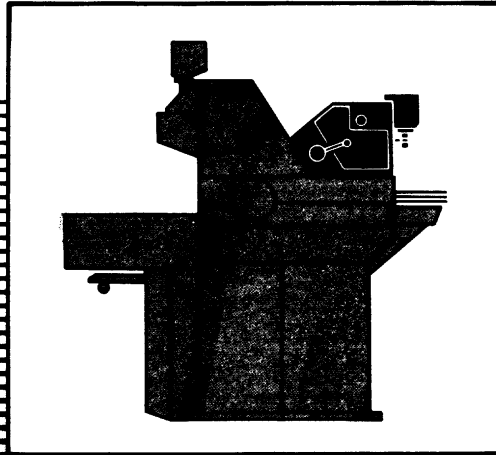


SMALL OFFSET PRESS

HAMADA

61 ECD 61 EXL
62 ECD 62 EXL



PARTS CATALOG

(注意)

このパーツカタログは、61/62・ECD/EXL専用部品を必要とする部分のフィギュアコード番号の頁のみを掲載してあります。従って、61/62・CD/XLのパーツカタログと合わせて御利用下さい。61/62・CD/XLのパーツカタログのフィギュアコード番号の内、つぎの番号は61/62・ECD/EXL専用部品を必要とするフィギュアコード番号です。

(NOTE)

This parts catalog includes exclusive parts for 61/62-ECD/EXL, shown by Code Numbers (Figure No. + Index No.), and is to be used with parts catalog for 61/62-CD/XL.

Among the parts catalog for 61/62-CD/XL, items shown on the pages of the following Figure Nos. should be substituted to those exclusive for 61/62-ECD/EXL.

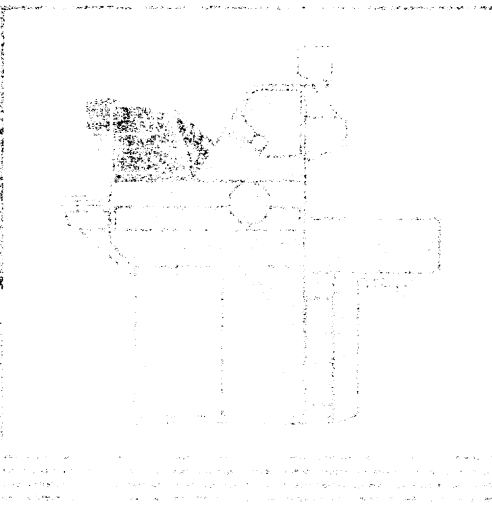
N7006	N7012
N7007	N7055
N7008	



HAMADA PRINTING PRESS CO. LTD

1991. 3 (200)
PRINTED IN JAPAN

ADAMAH

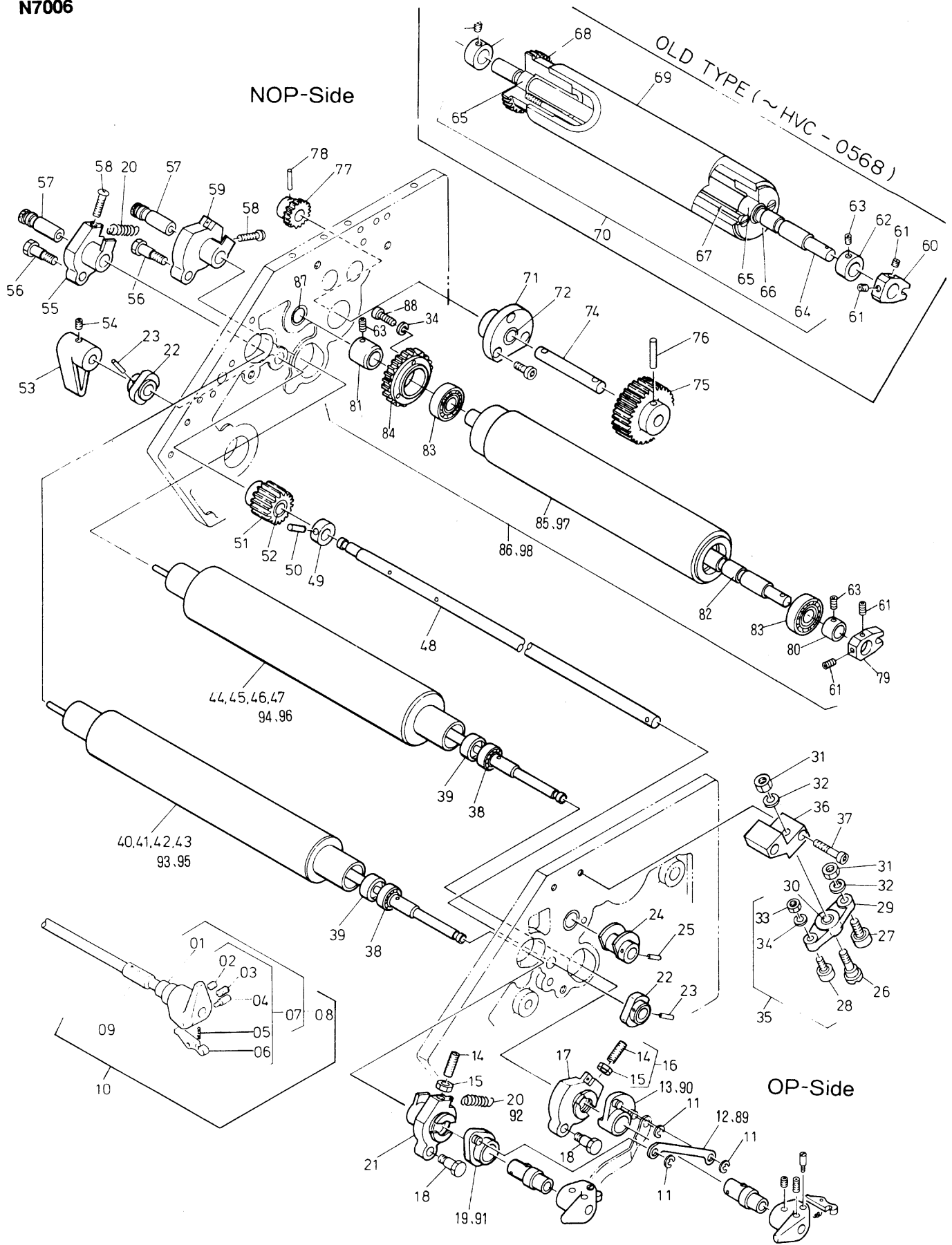


ADAMAH

1. 2. 3. 4. 5. 6. 7. 8. 9. 10. 11. 12. 13. 14. 15. 16. 17. 18. 19. 20. 21. 22. 23. 24. 25. 26. 27. 28. 29. 30. 31. 32. 33. 34. 35. 36. 37. 38. 39. 40. 41. 42. 43. 44. 45. 46. 47. 48. 49. 50. 51. 52. 53. 54. 55. 56. 57. 58. 59. 60. 61. 62. 63. 64. 65. 66. 67. 68. 69. 70. 71. 72. 73. 74. 75. 76. 77. 78. 79. 80. 81. 82. 83. 84. 85. 86. 87. 88. 89. 90. 91. 92. 93. 94. 95. 96. 97. 98. 99. 100.

(THE)
 This part of the document is a continuation of the previous section, containing further details and information.

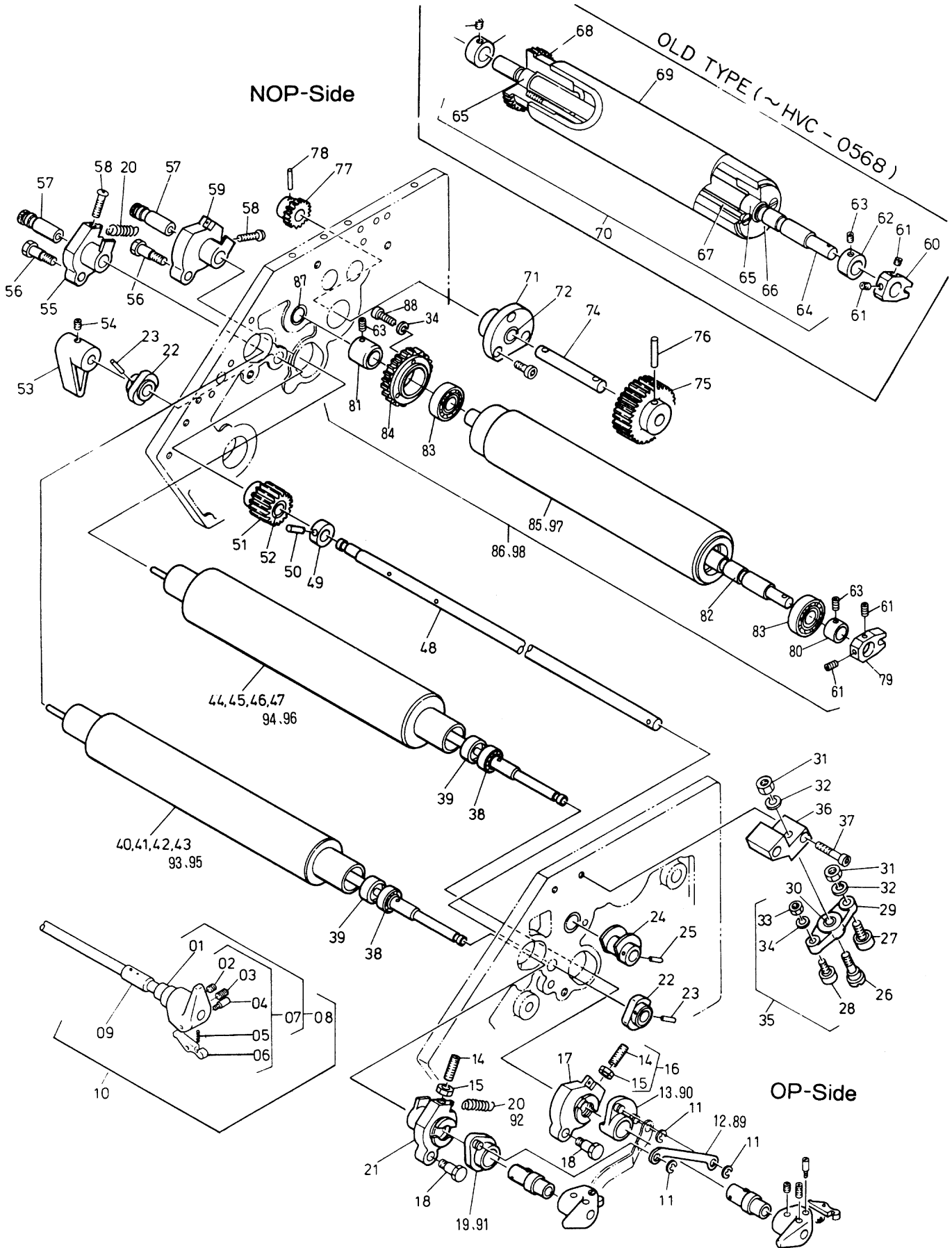
11/11/11
 11/11/11
 11/11/11

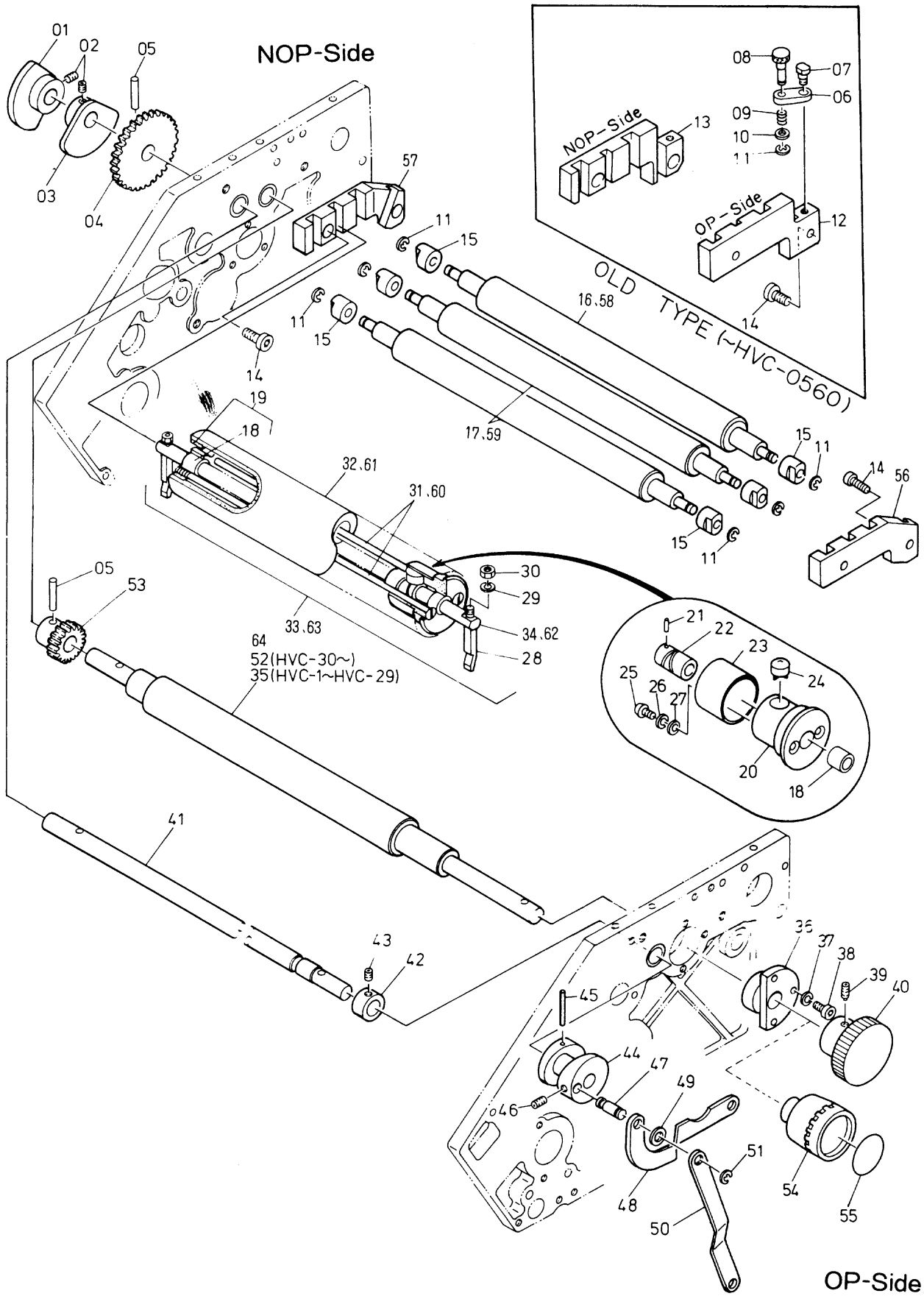


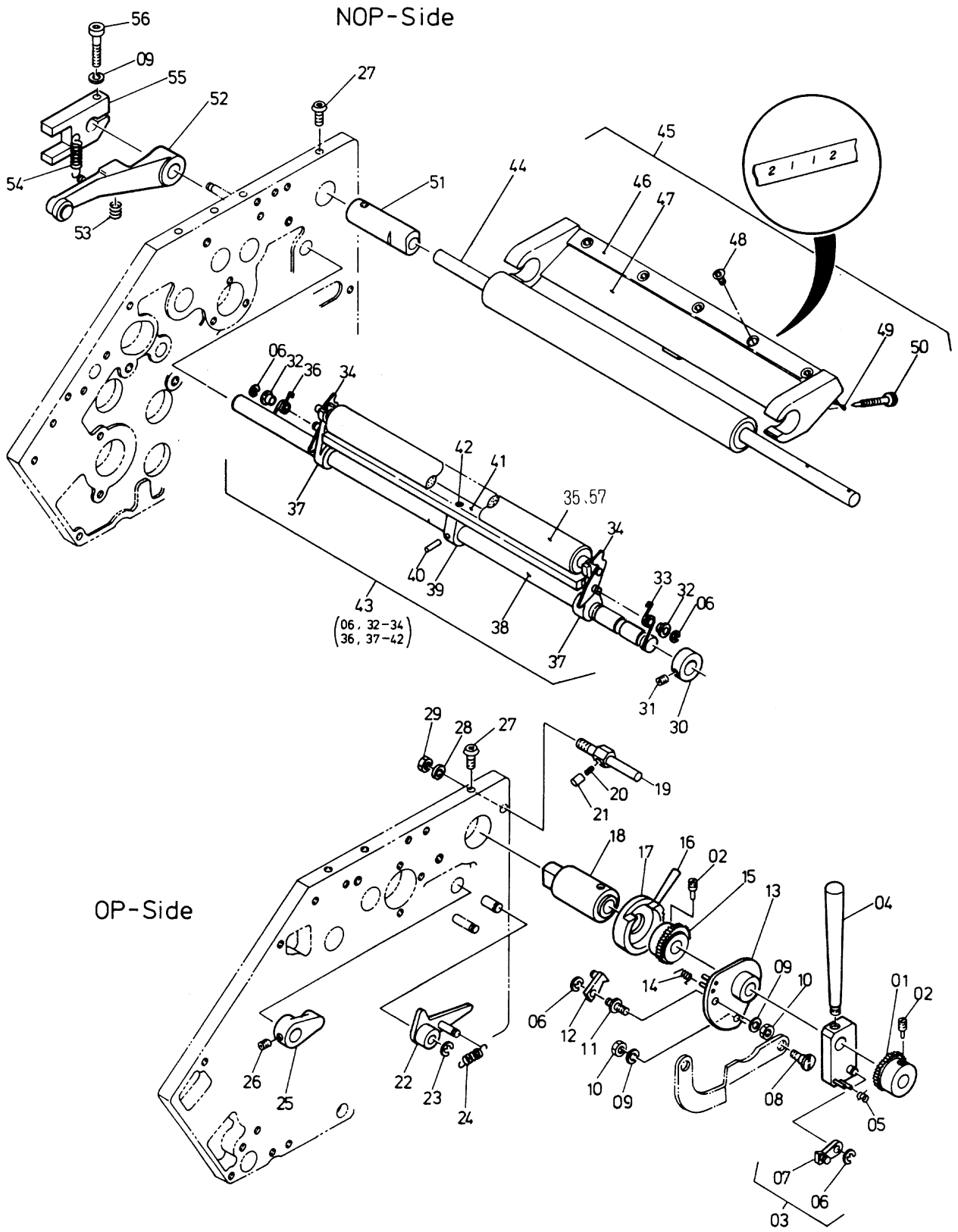
**Inking Section
Form Roller**

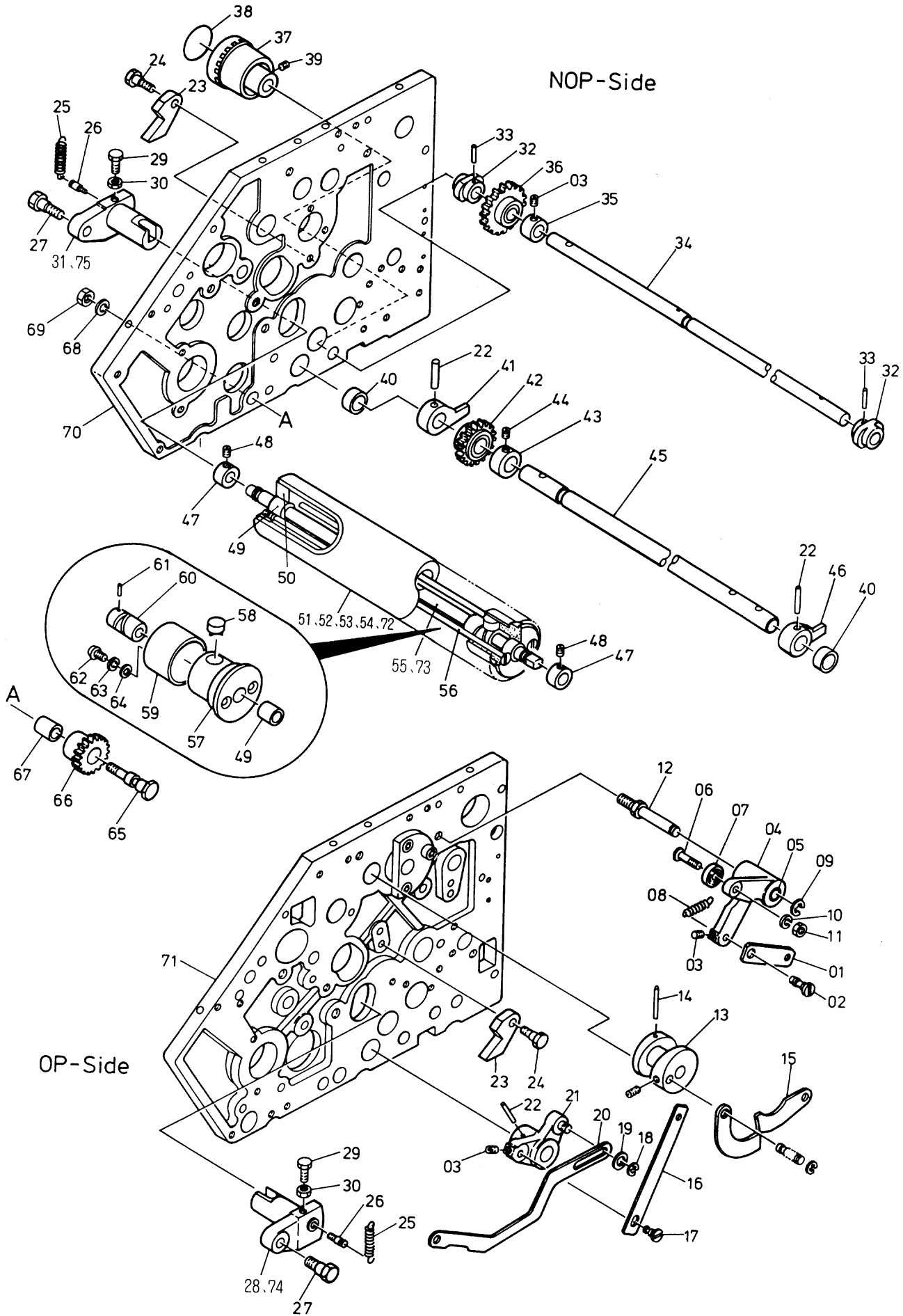
N7006

| INDEX No. | Parts No. | Description | Remarks | Units Per Assy | |
|-----------|-------------|-----------------------------------|---------------------|----------------|---------|
| | | | | CD-XL | ECD-EXL |
| 01 | CP03-53 | Form Roller Hub | HVC-0964 ~ | 2 | 2 |
| 02 | 145-355 | Set Screw | | 2 | 2 |
| 03 | 145-358 | Set Screw | | 2 | 2 |
| 04 | I18-55-3 | Snubber Pin | | 2 | 2 |
| 05 | I18-56-3 | Snubber Spring | | 2 | 2 |
| 06 | I18-54-3 | Snubber | | 2 | 2 |
| 07 | I18-46-1A-3 | Form Roller Handle | | 2 | 2 |
| 08 | I18-46-1B-3 | Form Roller Handle with Hub | | 2 | 2 |
| 09 | CP03-20A | Ink Form Roller Shaft | | 2 | 2 |
| 10 | CP03-20B | Ink Form Roller Shaft with Handle | | 2 | 2 |
| 11 | 181-406 | E-Ring | | 3 | 3 |
| 12 | 4807-06015 | Connecting Link | | 1 | 1 |
| 13 | 4807-03006A | 1st Form Roller Bracket | | 1 | 1 |
| 14 | I18-59-1A-3 | Snubber | | 2 | 2 |
| 15 | I18-60-3 | Nut | | 2 | 2 |
| 16 | I18-59-1B-3 | Snubber with Nut | | 2 | 2 |
| 17 | 4807-03001 | 1st Form Roller Bracket | | 1 | 1 |
| 18 | I18-42-01-3 | Shoulder Screw | | 2 | 2 |
| 19 | 4807-03005 | 2nd Form Roller Bracket | | 1 | 1 |
| 20 | I03-30-3 | Spring | | 2 | 2 |
| 21 | 4807-03002 | 2nd Form Roller Bracket | | 1 | 1 |
| 22 | I03-14-3 | Night Latch Cam | | 2 | 2 |
| 23 | 182-146 | Roll Pin | | 2 | 2 |
| 24 | 4807-03034 | Drive Collar | | 1 | 1 |
| 25 | 183-205 | Roll Pin | | 1 | 1 |
| 26 | 4807-03040 | Shoulder Screw | | 1 | 1 |
| 27 | 258-651.2 | Cam Follower | | 1 | 1 |
| 28 | I02-52-1A-3 | Cam Follower | | 1 | 1 |
| 29 | 4807-03039B | Drive Lever with Bushing | | 1 | 1 |
| 30 | 243-617 | Bushing | Included in 29 | 1 | 1 |
| 31 | 170-108 | Nut | | 2 | 2 |
| 32 | 180-108 | Lock Washer | | 2 | 2 |
| 33 | 170-106 | Nut | | 1 | 1 |
| 34 | 180-106 | Lock Washer | | 4 | 4 |
| 35 | 4807-03039A | Drive Lever Assy | | 1 | 1 |
| 36 | 4807-03041 | Bracket | | 1 | 1 |
| 37 | 117-381 | Screw | | 2 | 2 |
| 38 | I03-48-3 | Bearing | Included in 40 ~ 47 | 4 | 4 |
| 39 | I03-49-3 | Form Roller Hub | Included in 40 ~ 47 | 4 | 4 |
| 40 | PC03-10A | 2nd Ink Form Roller | Spec-1 | 1 | 0 |
| 41 | PC03-70A | 2nd Ink Form Roller | Spec-2 | 1 | 0 |
| 42 | PC03-72A | 2nd Ink Form Roller | Spec-3 | 1 | 0 |
| 43 | PC03-74A | 2nd Ink Form Roller | Spec-4 | 1 | 0 |
| 44 | PC03-11A | 1st Ink Form Roller | Spec-1 | 1 | 0 |
| 45 | PC03-71A | 1st Ink Form Roller | Spec-2 | 1 | 0 |
| 46 | PC03-73A | 1st Ink Form Roller | Spec-3 | 1 | 0 |
| 47 | PC03-75A | 1st Ink Form Roller | Spec-4 | 1 | 0 |
| 48 | 4807-03009 | Night Latch Cam Shaft | | 1 | 1 |
| 49 | I03-10-3 | Collar | | 1 | 1 |
| 50 | 183-186 | Roll Pin | | 1 | 1 |
| 51 | CP03-10A | Idle Gear with Bushing | | 1 | 1 |
| 52 | H07-08-3 | Bushing | | 1 | 1 |
| 53 | I03-16-3 | Handle | | 1 | 1 |
| 54 | 145-508 | Set Screw | | 1 | 1 |
| 55 | 4807-03003 | 2nd Form Roller Bracket | NOP-S | 1 | 1 |
| 56 | I03-25-3 | Shoulder Screw | | 2 | 2 |
| 57 | CP03-17 | Adjustment Pilot Bushing | | 2 | 2 |
| 58 | 125-725 | Screw | | 2 | 2 |
| 59 | 4807-03004 | 2nd Form Roller Bracket | NOP-S | 1 | 1 |
| 60 | 4807-03038 | Oscillation Roller Bracket | ~ HVC-0568 OP-S | 1 | 0 |
| 61 | 145-506 | Set Screw | | 2 | 2 |
| 62 | M05-37-3 | Collar | ~ HVC-0568 | 2 | 0 |
| 63 | 145-505 | Set Screw | | 2 | 2 |
| 64 | 4807-03025 | Oscillation Roller Shaft | ~ HVC-0568 | 1 | 0 |
| 65 | F44-74-3 | Bushing | ~ HVC-0568 | 2 | 0 |
| 66 | 4807-03036 | Oscillation Roller Hub | ~ HVC-0568 | 1 | 0 |
| 67 | CP03-47 | Oscillation Roller Tie Rod | ~ HVC-0568 | 2 | 0 |
| 68 | 4807-03011 | Oscillation Roller Drive Gear | ~ HVC-0568 | 1 | 0 |
| 69 | 4807-03010 | Oscillation Roller Shell | ~ HVC-0568 | 1 | 0 |
| 70 | 4807-03010A | Oscillation Roller Assy | ~ HVC-0568 | 1 | 0 |





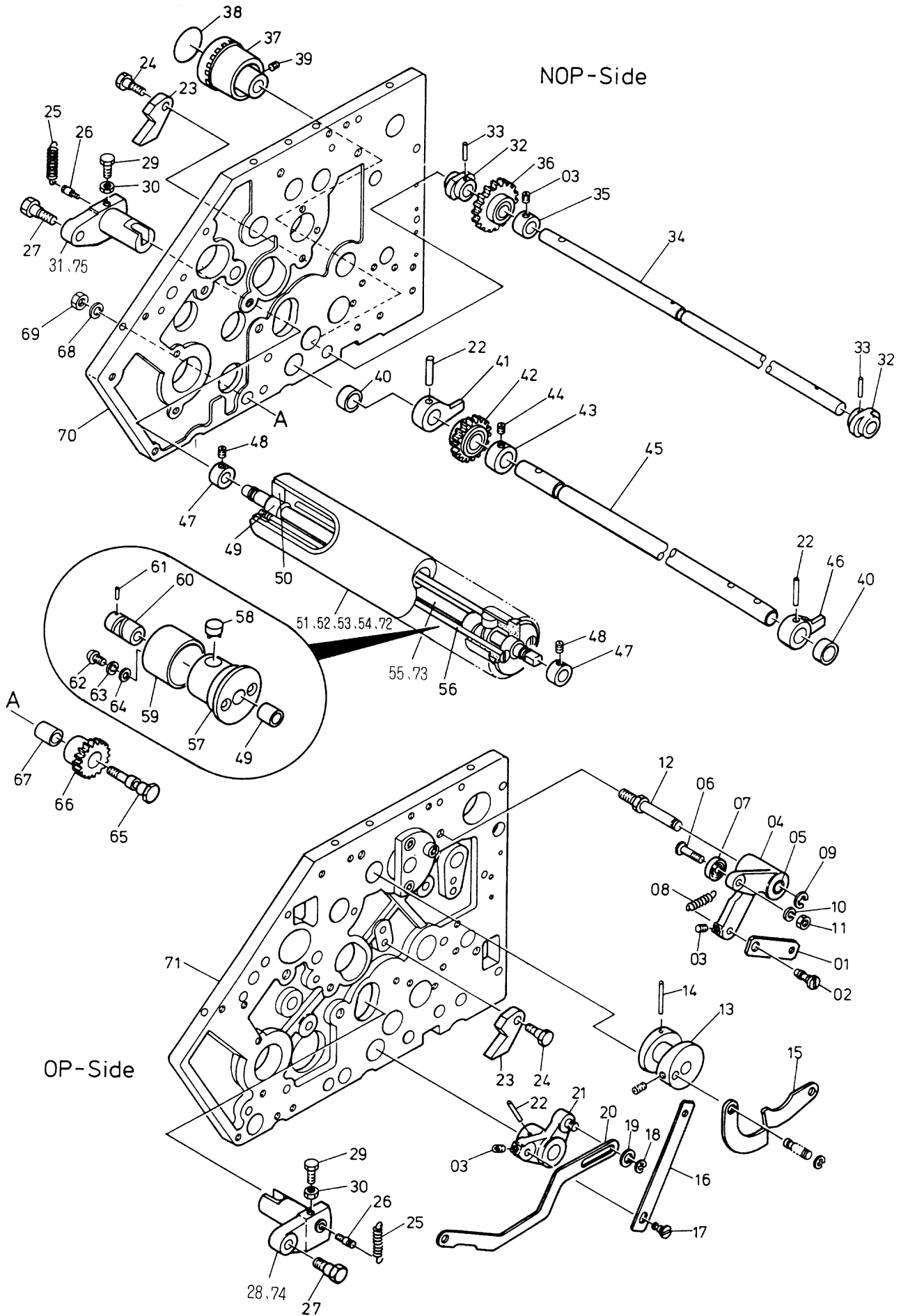


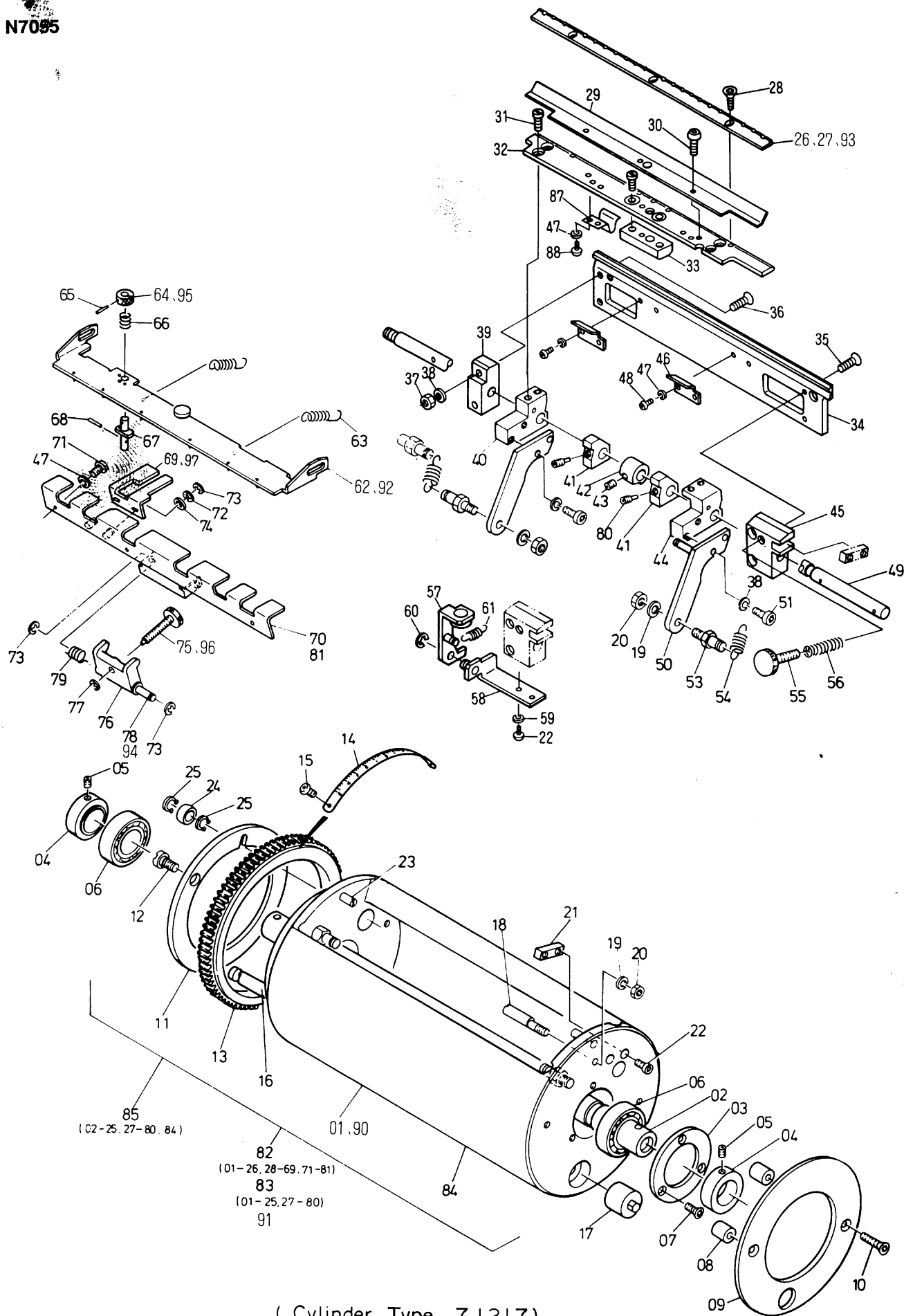


**Dampening Section (Integrated System)
Side Frame and Roller**

N7012

| INDEX No. | Parts No. | Description | Remarks | Units Per Assy | |
|-----------|-------------|--------------------------------|----------------|----------------|---------|
| | | | | CD•XL | ECD•EXL |
| 01 | 4807-18024 | Link | | 1 | 1 |
| 02 | 4807-18008 | Spring Pin | | 1 | 1 |
| 03 | 145-506 | Set Screw | | 3 | 3 |
| 04 | 4807-18009A | Drive Lever | | 1 | 1 |
| 05 | 243-614 | Bushing | Included in 04 | 2 | 2 |
| 06 | CK08-06 | Pin | | 1 | 1 |
| 07 | 250-126.6 | Bearing | | 1 | 1 |
| 08 | G05-32-3 | Spring | | 1 | 1 |
| 09 | 181-408 | E-Ring | | 1 | 1 |
| 10 | 180-106 | Lock Washer | | 1 | 1 |
| 11 | 170-106 | Nut | | 1 | 1 |
| 12 | 4807-18040 | Stud Pin | | 1 | 1 |
| 13 | 4807-18027 | Cam | | 1 | 1 |
| 14 | 183-211 | Roll Pin | | 1 | 1 |
| 15 | 4807-18023 | Ink Fountain Drive Link | | 1 | 1 |
| 16 | 4807-18025 | Link | | 1 | 1 |
| 17 | 4807-18007 | Connecting Pin | | 1 | 1 |
| 18 | 181-406 | E-Ring | | 1 | 1 |
| 19 | 184-108 | Flat Washer | | 1 | 1 |
| 20 | 4807-18026 | Link | | 1 | 1 |
| 21 | 4807-18028A | Drive Lever | | 1 | 1 |
| 22 | 183-208 | Roll Pin | | 3 | 3 |
| 23 | 4807-18041 | Stopper | | 2 | 2 |
| 24 | M05-48-01-3 | Shoulder Screw | | 2 | 2 |
| 25 | 4807-18043 | Spring | | 2 | 2 |
| 26 | 4807-18042 | Spring Pin | | 2 | 2 |
| 27 | I18-42-01-3 | Shoulder Screw | | 2 | 2 |
| 28 | 4807-18021 | Oscillation Roller Bracket | OP-S | 1 | 0 |
| 29 | 101-516 | Screw | | 2 | 2 |
| 30 | 170-105 | Nut | | 2 | 2 |
| 31 | 4807-18022 | Oscillation Roller Bracket | NOP-S | 1 | 0 |
| 32 | 4807-18029 | Night Latch Cam | | 2 | 2 |
| 33 | 183-205 | Roll Pin | | 2 | 2 |
| 34 | 4807-18014 | Night Latch Cam Shaft | | 1 | 1 |
| 35 | I52-28-3 | Collar | | 1 | 1 |
| 36 | 4807-18016A | Drive Gear | | 1 | 1 |
| 37 | PC02-59A | Handle | | 1 | 1 |
| 38 | HC03-09 | Name Plate | Included in 37 | 1 | 1 |
| 39 | 140-360 | Set Screw | | 1 | 1 |
| 40 | F44-74-3 | Bushing | | 2 | 2 |
| 41 | 4807-18011 | Lever | NOP-S | 1 | 1 |
| 42 | 4807-18015A | Drive Gear | | 1 | 1 |
| 43 | M05-37-3 | Collar | | 1 | 1 |
| 44 | 145-505 | Set Screw | | 1 | 1 |
| 45 | 4807-18013 | Drive Shaft | | 1 | 1 |
| 46 | 4807-18010 | Lever | OP-S | 1 | 1 |
| 47 | X03-08-01-3 | Collar | | 2 | 2 |
| 48 | 145-406.01 | Set Screw | | 2 | 2 |
| 49 | H08-16-3 | Bushing | | 2 | 2 |
| 50 | 4807-18036A | Oscillation Roller Hub | NOP-S | 1 | 1 |
| 51 | 4807-18017A | Oscillation Roller | Spec-1 | 1 | 0 |
| 52 | 4807-18018A | Oscillation Roller | Spec-2 | 1 | 0 |
| 53 | 4807-18019A | Oscillation Roller | Spec-3 | 1 | 0 |
| 54 | 4807-18020A | Oscillation Roller | Spec-4 | 1 | 0 |
| 55 | 4807-18012 | Oscillation Roller Shaft | | 1 | 0 |
| 56 | CP03-47 | Oscillation Roller Tie Rod | | 2 | 2 |
| 57 | CP03-43A | Oscillation Mechanism Hub | | 1 | 1 |
| 58 | G26-86-3 | Oscillation Cam Follower (Dog) | | 1 | 1 |
| 59 | CP03-44 | Retaining Hub | | 1 | 1 |
| 60 | I03-57-3 | Oscillation Worm Cam | | 1 | 1 |
| 61 | I03-58-3 | Roll Pin | | 1 | 1 |
| 62 | 125-708 | Screw | | 1 | 1 |
| 63 | 180-105 | Lock Washer | | 1 | 1 |
| 64 | 184-105 | Flat Washer | | 1 | 1 |
| 65 | CP18-22 | Gear Stud | | 1 | 1 |
| 66 | CP18-18A | Gear | | 1 | 1 |
| 67 | 243-017 | Bushing | Included in 66 | 1 | 1 |
| 68 | 180-110 | Lock Washer | | 1 | 1 |
| 69 | 170-110 | Nut | | 1 | 1 |
| 70 | 4807-18002A | Frame | NOP-S | 1 | 1 |





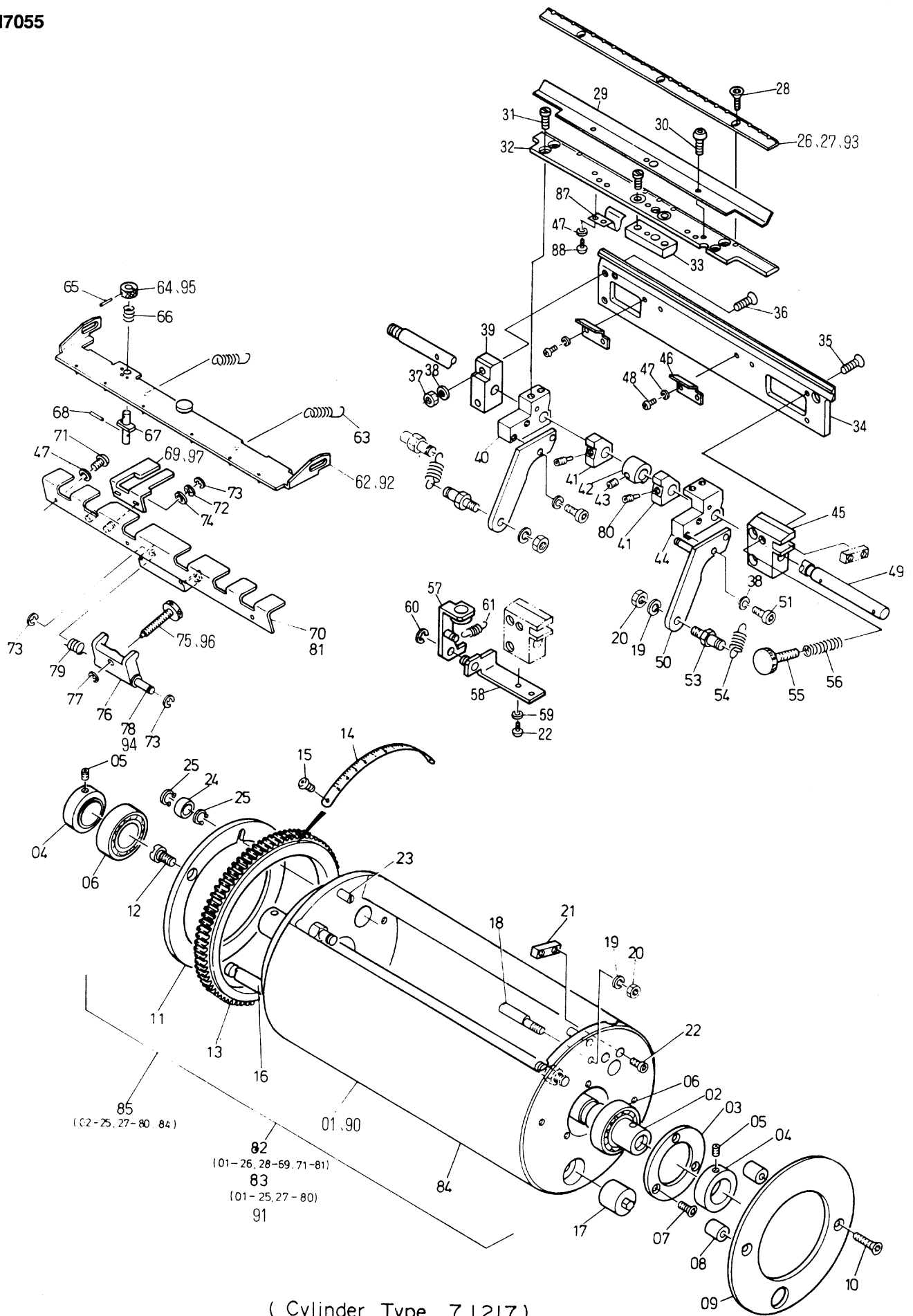
(Cylinder Type 7.1217)

NEW TYPE (HVC-0504 ~)

Plate Cylinder

N7055

| INDEX No. | Parts No. | Description | Remarks | Units Per Assy | | |
|-----------|-------------|--------------------------|-----------------|----------------|---------|---|
| | | | | CD-XL | ECD-EXL | |
| 01 | 4807-04001 | Plate Cylinder | Cylinder Type-7 | 1 | 1 | |
| 02 | 4807-04002 | Plate Cylinder Shaft | | 1 | 1 | |
| 03 | G22-06-3 | Bearing Retainer | | 1 | 1 | |
| 04 | G22-05-01-3 | Bearing Retainer | | 2 | 2 | |
| 05 | 145-358 | Set Screw | | 4 | 4 | |
| 06 | M22-02-3 | Bearing | | 2 | 2 | |
| 07 | 122-110 | Screw | | 3 | 3 | |
| 08 | R51-55-3 | Spacer | | 2 | 2 | |
| 09 | 4807-04034 | Guide Plate | | 1 | 1 | |
| 10 | 122-180 | Screw | | 2 | 2 | |
| 11 | 4807-04005 | Disk | | 1 | 1 | |
| 12 | 4807-04010 | Screw | | 2 | 2 | |
| 13 | 4807-04006A | Plate Cylinder Gear | | 1 | 1 | |
| 14 | 4807-04032 | Scale | | 1 | 1 | |
| 15 | 125-606 | Screw | | 2 | 2 | |
| 16 | 4807-04009 | Cylinder Gear Lock Shaft | | 1 | 1 | |
| 17 | 4807-04008 | Release Nut | | 1 | 1 | |
| 18 | CM14-16 | Eccentric Pin | | 1 | 1 | |
| 19 | 180-108 | Lock Washer | | 3 | 3 | |
| 20 | 170-108 | Nut | | 3 | 3 | |
| 21 | 4807-04020 | Guide Plate | | 1 | 1 | |
| 22 | 117-510 | Screw | | 2 | 2 | |
| 23 | CM14-15 | Pin | | 1 | 1 | |
| 24 | CM14-13 | Bearing | | 1 | 1 | |
| 25 | 181-012 | C-Ring | | 2 | 2 | |
| 26 | CM14-35 | Plate Clamp | off Center | Pitch 12.7mm | 1 | 0 |
| 27 | CM14-36 | Plate Clamp | on Center | Pitch 12.7mm | 1 | 0 |
| 28 | 122-055 | Screw | | 3 | 3 | |
| 29 | 4807-04026 | Guide Plate | | 1 | 0 | |
| 30 | 125-656 | Screw | | 3 | 3 | |
| 31 | CM14-19 | Screw | | 6 | 6 | |
| 32 | 4807-04041 | Plate | | 1 | 1 | |
| 33 | 4807-04025 | Block | | 1 | 1 | |
| 34 | 4807-04040 | Plate | | 1 | 1 | |
| 35 | 117-518 | Screw | | 2 | 2 | |
| 36 | 117-520 | Screw | | 1 | 1 | |
| 37 | 117-525 | Nut | | 1 | 1 | |
| 38 | 180-105 | Washer | | 4 | 4 | |
| 39 | CM14-52 | Block | | 1 | 1 | |
| 40 | CM14-05 | Block | | 1 | 1 | |
| 41 | CM14-32 | Block | | 2 | 2 | |
| 42 | 4807-04021 | Collar | | 1 | 1 | |
| 43 | 145-356 | Set Screw | | 1 | 1 | |
| 44 | CM14-04 | Block | | 1 | 1 | |
| 45 | 4807-04043 | Block | | 1 | 0 | |
| 46 | 4807-04045 | Stopper | | 2 | 0 | |
| 47 | 180-104 | Lock Washer | | 12 | 12 | |
| 48 | 125-655 | Screw | | 4 | 4 | |
| 49 | 4807-04048 | Shaft | | 1 | 1 | |
| 50 | 4807-04017A | Arm | | 1 | 1 | |
| 51 | 117-365 | Screw | | 2 | 2 | |
| 52 | CM14-27 | Arm | | 1 | 1 | |
| 53 | CM14-09 | Spring Pin | | 2 | 2 | |
| 54 | 4807-04036 | Spring | | 2 | 2 | |
| 55 | CM14-25 | Screw Knob | | 1 | 1 | |
| 56 | CM14-26 | Spring | | 1 | 1 | |
| 57 | 4807-04046A | Release Lever | | 1 | 1 | |
| 58 | 4807-04044A | Bracket | | 1 | 1 | |
| 59 | 180-105 | Lock Washer | | 2 | 2 | |
| 60 | 181-406 | E-Ring | | 1 | 1 | |
| 61 | A04-52-3 | Spring | | 1 | 1 | |
| 62 | 4807-04028A | Tail Clamp | | 1 | 1 | |
| 63 | CM14-21 | Spring | | 2 | 2 | |
| 64 | CM14-18 | Knob | | 1 | 0 | |
| 65 | 183-153.01 | Roll Pin | | 1 | 1 | |
| 66 | CM14-40 | Spring | | 1 | 1 | |
| 67 | CM14-17 | Lock Pin | | 1 | 1 | |
| 68 | 183-151.01 | Roll Pin | | 1 | 1 | |
| 69 | CM14-20 | Lock Plate | | 1 | 0 | |
| 70 | 4807-04027A | Suport Plate | on Center | 1 | 1 | |



(Cylinder Type 7.1217)

NEW TYPE (HVC-0504~)

