

ABDICK.

AD 010
9805/9810/9810XC/

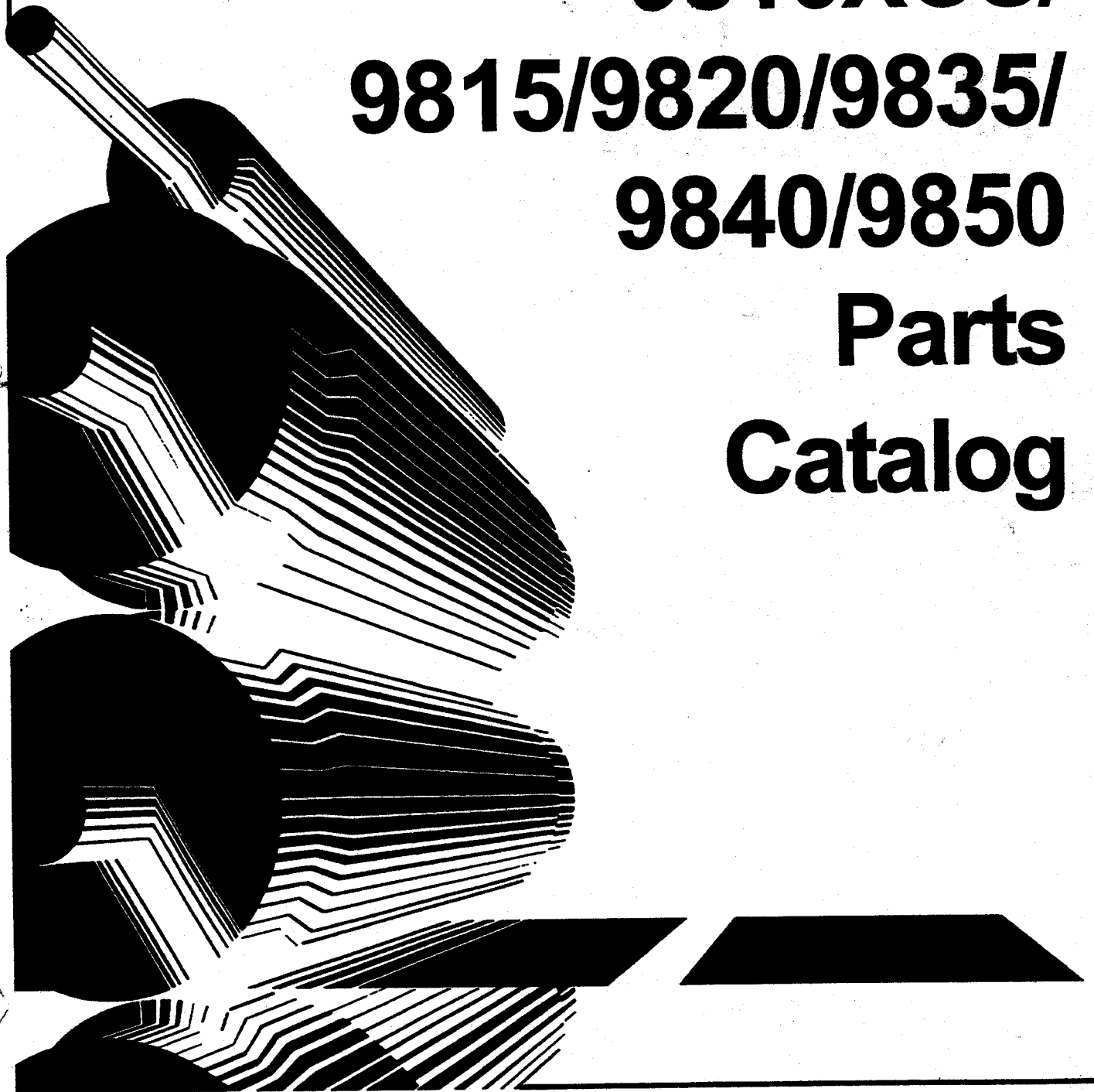
9810XCS/

9815/9820/9835/

9840/9850

Parts

Catalog



Parts Catalog

MODEL 9805, 9810, 9815, 9820, 9835, 9840 & 9850

GENERAL INFORMATION

NOTE TO USERS OF CATALOGS:

This catalog contains 115 V. 60 Hz. and 115 V. 50/60 Hz. dual usage electrical part numbers in the main index body. For 220/240 V. 50 Hz. see bottom portion of particular index page.

PARTS IDENTIFICATION AND ORDERING INSTRUCTIONS

- I. Order Repair Parts by part number only. Do not order by figure and index numbers.
- II. It is not impossible to have two or more of the same index number with different part numbers. In such cases, please read the full description for your particular needs.
- III. The following symbols and abbreviations are used consistently as aids in identification:

A. Symbols

1. (*) Part of an assembly and not sold separately.
2. (**) Identifies the part as having no part number.
3. (***) Are used for all other pertinent remarks.
4. (>) For Chain Delivery with Aluminum Frames.

B. Abbreviations

1. TD = Model 9815 Tray Delivery
2. CD = Model 9820 Chain Delivery
3. QP = Model 9835 Quality Printer
4. QPC = Model 9840 Quality Printer Chain
5. PRO = Model 9850 Professional
6. O.S. = Operator Side
7. N.O.S. = Non Operator Side
8. I.D. = Inside Diameter
9. O.D. = Outside Diameter
10. O.A.L. = Overall Length
11. V. = Volts
12. Hz. = Cycles Per Second
13. Amp. = Amperes
14. Dia. = Diameter
15. HP. = Horse Power
16. A/R = As Required

Contents

| | |
|--|----|
| MODEL 9815/9850 Paper Guides and Mounting Bar | 2 |
| MODEL 9815/9850 Cover Assemblies | 4 |
| MODEL 9805/9810 Cover Assembly - O.S. | 6 |
| MODEL 9815/9850 Control Panel | 8 |
| MODEL 9815/9850 Receiving Tray Assembly | 10 |
| MODEL 9815/9850 Safety Guards - Part I (Old Design) | 12 |
| MODEL 9815/9850 Safety Guards - Part I (New Design) | 14 |
| MODEL 9815/9850 Safety Guards - Part II (Old Design) | 16 |
| MODEL 9815/9850 Safety Guards - Part II (New Design) | 18 |
| MODEL 9815/9850 Safety Guards - Part III (New Design) | 20 |
| MODEL 9815/9850 Aquamatic - Part I | 22 |
| MODEL 9815/9850 Aquamatic - Part II | 24 |
| MODEL 9815/9850 Aquamatic Control Lever Assembly | 26 |
| MODEL 9815/9850 Dampener Guides | 28 |
| MODEL 9815/9850 Dampener - Part I | 30 |
| MODEL 9815/9850 Dampener - Part II | 32 |
| MODEL 9815/9850 Dampener Rollers | 34 |
| MODEL 9815/9850 Waver, Oscillating Roller and Guide Assemblies | 36 |
| MODEL 9815/9850 Rider Rollers | 38 |
| MODEL 9815/9850 Ink Bridge and Drip Tray | 40 |
| MODEL 9815/9850 Lower Oscillating Roller and Related Parts | 42 |
| MODEL 9815/9850 Ink Distributor and Ductor Rollers | 44 |
| MODEL 9815/9850 Waver Roller | 46 |
| MODEL 9815/9850 Upper Form Roller and Shaft Assembly | 48 |
| MODEL 9815/9850 Lower Form Roller and Shaft Assembly | 50 |
| MODEL 9815/9850 Form Roller Separator | 52 |
| MODEL 9815/9850 Ink Fountain and Roller | 54 |
| MODEL 9815/9850 Ink Metering Assembly | 56 |
| MODEL 9815/9850 Ink Fountain Linkage | 58 |
| MODEL 9815/9850 Master Cylinder Assembly - Part I | 60 |
| MODEL 9815/9850 Improved Head Clamp | 62 |
| MODEL 9815/9850 Master Cylinder Assembly - Part II | 64 |
| MODEL 9815/9850 Master Cylinder Shaft and Support Arms | 66 |
| MODEL 9815/9850 Gap Control - Master Cylinder | 68 |
| MODEL 9805/9810 Operation Control Lever | 70 |
| MODEL 9815/9850 Upper Side Frames and Associated Parts - Part I | 72 |
| MODEL 9815/9850 Upper Side Frames and Associated Parts - Part II | 74 |
| MODEL 9815/9850 Master Cylinder Lever Assemblies | 76 |
| MODEL 9815/9850 Blanket Cylinder Assembly | 78 |
| MODEL 9815/9850 Print Adjusting and Blanket Cylinder Assembly | 80 |
| MODEL 9815/9850 Clutch Assembly and Drive Shaft | 82 |
| MODEL 9815/9850 Impression Cylinder Assembly | 84 |
| MODEL 9815/9850 Impression Cylinder Shaft and Support Arms | 86 |
| MODEL 9815/9850 Gap Control - Impression Cylinder | 88 |
| MODEL 9815/9850 Doubles Detector Switch Assembly | 90 |
| MODEL 9815/9850 Emergency Stop and Doubles Detector Switches | 92 |

Parts Catalog

| | |
|---|-----|
| MODEL 9805/9810 Counter and Feed Levers | 94 |
| MODEL 9805/9810 Control Lever and Impression Cylinder Latch | 96 |
| MODEL 9815/9850 Impression Solenoid and Power Lever Assembly | 98 |
| MODEL 9815/9850 Side Frames and Tie Bars | 100 |
| MODEL 9815/9850 Buckle Adjusting and Lever Assemblies | 102 |
| MODEL 9815/9850 Power Link and Related Feed Mechanism | 104 |
| MODEL 9815/9850 Alternate Sheet Feed | 106 |
| MODEL 9815/9850 Feed Link Assemblies | 108 |
| MODEL 9815/9850 Main Tie Bar Assembly - Part I | 110 |
| MODEL 9815/9850 Main Tie Bar Assembly - Part II | 112 |
| MODEL 9805/9810 Main Tie Bar Assembly - Mechanical | 114 |
| MODEL 9815/9850 Sucker Foot Assembly | 116 |
| MODEL 9815/9850 Paper Height Adjustment | 118 |
| MODEL 9815/9850 Feed Table Release Lever | 120 |
| MODEL 9815/9850 Motor Speed Mechanism | 122 |
| MODEL 9815/9850 Vacuum Make and Break Control | 124 |
| MODEL 9815/9850 Cam Shaft Assembly | 126 |
| MODEL 9815/9850 Clock Sync. Mech. Assembly | 128 |
| MODEL 9815/9850 Stripper Assembly and Delivery Roller | 130 |
| MODEL 9815/9850 Adjustable Roller Assembly | 132 |
| MODEL 9805/9810 Control and Switch Box Assemblies - Part I | 134 |
| MODEL 9805/9810 Control and Switch Box Assemblies - Part II | 136 |
| MODEL 9805/9810 Cord and Wire Assemblies | 138 |
| MODEL 9815/9850 Jam Detector Assembly | 140 |
| MODEL 9815/9850 Harness Assembly - Doubles, Jam and Low Paper | 142 |
| MODEL 9815/9850 Harness Assembly - N.O.S. | 144 |
| MODEL 9815/9850 Harness Assembly - O.S. | 146 |
| MODEL 9815/9850 Control Box - Part I | 148 |
| MODEL 9815/9850 Control Box - Part II | 150 |
| MODEL 9815/9850 Control Box - Part III | 152 |
| MODEL 9815/9850 Control Box - Part IV | 154 |
| MODEL 9815/9850 Base Frames and Hardware | 156 |
| MODEL 9815/9850 Feed Table and Feed Adjusting Mechanism | 158 |
| MODEL 9815/9850 Table Raising Mechanism | 160 |
| MODEL 9815/9850 Air and Vacuum Valve Assembly | 162 |
| MODEL 9815/9850 Compressor Assembly | 164 |
| MODEL 9815/9850 Oil-Less Pump | 166 |
| MODEL 9815/9850 Drive Motor and Related Parts | 168 |
| MODEL 9805/9850 Drive Motor and Pulley Assembly | 170 |
| MODEL 9815/9850 Paper Guide Wetting Roller | 172 |
| MODEL 9815/9850 Sprocket Shaft and Paper Guide Assemblies | 174 |
| MODEL 9820/9850 (1:1) Sprocket Shaft and Paper Guide Assemblies | 176 |
| MODEL 9815/9850 Gripper Bar and Chain Assemblies | 178 |
| MODEL 9815/9850 Idler Shaft Assembly | 180 |
| MODEL 9820/9850 (1:1) Idler Shaft Assembly | 182 |
| MODEL 9815/9850 Back and Side Jogger Mechanism | 184 |

Parts Catalog

| | |
|--|-----|
| MODEL 9820/9850 (1:1) Back Jogger Mechanism - Part I | 186 |
| MODEL 9815/9850 Frame Assemblies C.D. | 188 |
| MODEL 9815/9850 Back and Side Jogger Mechanism | 190 |
| MODEL 9820/9850 (1:1) Back Jogger Mechanism - Part II | 192 |
| MODEL 9815/9850 Dolly Table Crank Assembly | 194 |
| MODEL 9815/9850 Table Control | 196 |
| MODEL 9820/9850 (1:1) Table Control | 198 |
| MODEL 9815/9850 Paper Guide Assemblies | 200 |
| MODEL 9820/9850 (1:1) Paper Guide Assemblies | 202 |
| MODEL 9815/9850 Screen and Back Stop Assemblies | 204 |
| MODEL 9820/9850 (1:1) Safety Screens and Back Stop | 206 |
| MODEL 9820/9850 (1:1) Safety Screens and Back Stop | 208 |
| MODEL 9815/9850 Covers (C.D.) and Chain Support | 210 |
| MODEL 9815/9850 Dolly, Table and Frame Assemblies | 212 |
| MODEL 9820/9850 (1:1) Dolly, Table and Frame Assemblies | 214 |
| MODEL 9815/9850 Worklight Assembly | 216 |
| MODEL 9815/9850 Control Box - Part V | 218 |
| MODEL 9805/9810 New Style Control Box and Cover Assemblies | 220 |
| MODEL 9805/9810 New Style Power Supply | 222 |
| MODEL 9810 New Style Doubles Detector and Switch Box | 224 |
| MODEL 9810 New Style Feed Lever and Feed On/Off Solenoid | 226 |
| MODEL 9805/9810 New Style Counter Lever | 228 |
| MODEL 9810 New Style Added Electrical Parts for Double Counter | 230 |
| INDEX | 232 |

Models

9805

9810, (9810XC, 9810XCS)

9815

9820

9835

9840

9850

Parts Catalog

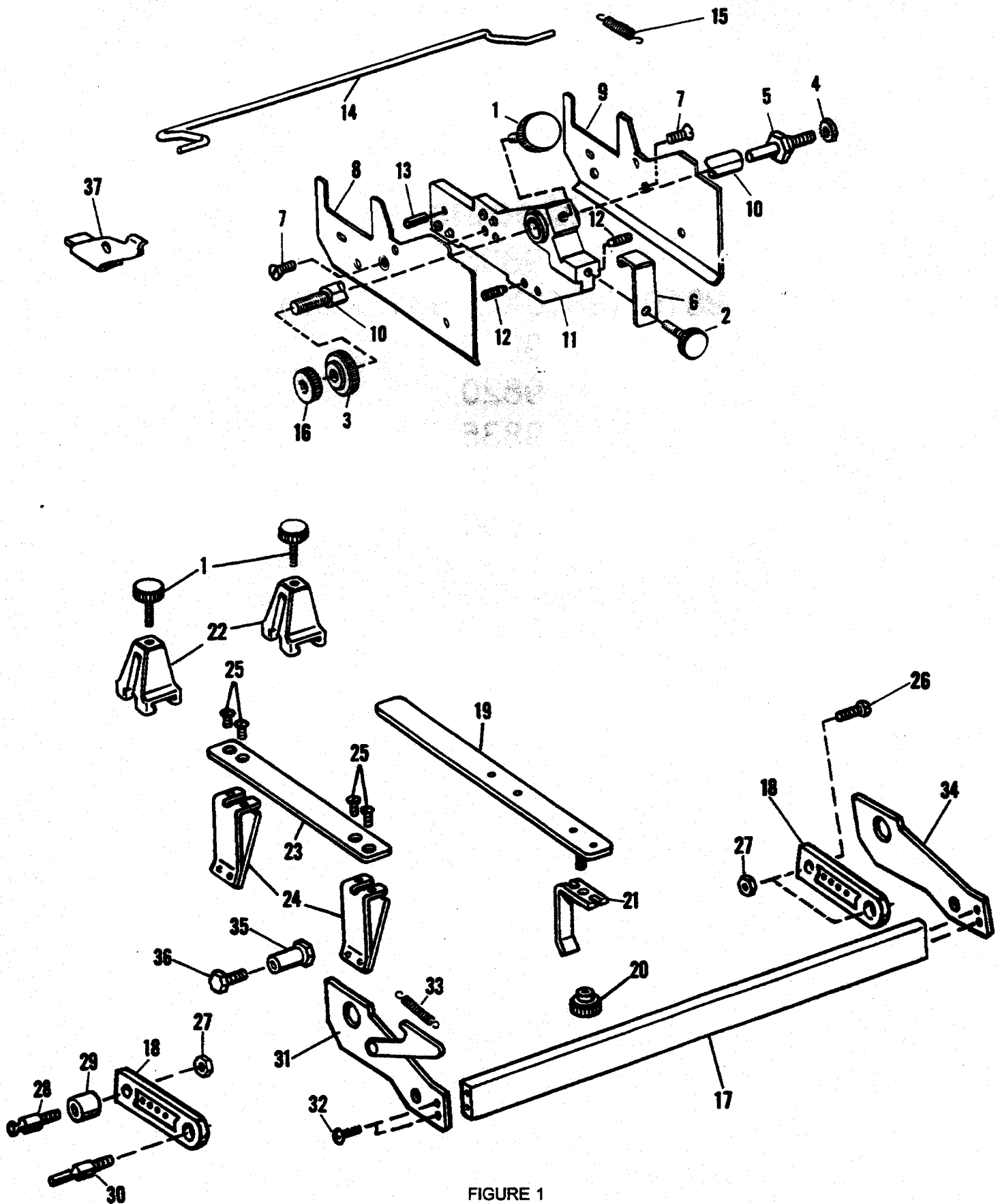


FIGURE 1
MODEL 9815/9850 Paper Guides and Mounting Bar

Parts Catalog

| Index No. | Part No. | MODEL 9805/9850 Figure 1 Description | Units Per Assy. |
|-----------|----------|---|-----------------|
| 1 | 073394 | KNOB - Lock, 1/4-28 x 5/8 | 3 |
| 2 | 075890 | KNOB - Lock, 1/4-28 x 1-1/32 | 1 |
| 3 | 075887 | KNOB - Dual Micro Guide, 3/8-24 | 1 |
| 4 | 150085 | NUT - 1/4-28 | 1 |
| 5 | 194897 | STUD - Adjusting | 1 |
| 6 | 075888 | PLATE - Retainer | 1 |
| 7 | 100583 | SCREW - 1/4-28 x 1/2 | 2 |
| 8 | 400657 | PLATE - O.S., Micro Guide | 1 |
| 9 | 400658 | PLATE - N.O.S., Micro Guide | 1 |
| 10 | 007862 | SHAFT - Micro Guide | 1 |
| 11 | 400656 | BRACKET - Micro Guide Adjustment Assembly | 1 |
| 12 | 100177 | SCREW - Set, 1/4-28 x 1/2 | 4 |
| 13 | 100579 | PIN - Roll, .199 O.D. x .640 O.A.L. | 1 |
| 14 | 007661 | PAPER WEIGHT - Standard | 1 |
| 14 | 007809 | PAPER WEIGHT - Light Weight | 1 |
| 15 | 072511 | SPRING - .250 O.D. x 1.125 O.A.L., Standard | 1 |
| 16 | 196171 | KNOB - Dual Micro Guide, 3/8-24 | 1 |
| 17 | 008038 | BAR - Mounting, Long | 1 |
| 18 | 076893 | STOP - Paper Guides | 2 |
| 19 | 007689 | PLATE - Center | 2 |
| 20 | 072292 | NUT - Thumb, 1/4-20 | 2 |
| 21 | 073467 | GUIDE - Back, Stock Retainer | 2 |
| 22 | 073385 | CLAMP - Adjusting | 3 |
| 23 | 073469 | PLATE - Retainer, Spring | 1 |
| 24 | 073472 | SPRING - Guide Retainer | 2 |
| 25 | 014225 | SCREW - 8-32 x 1/4 | 4 |
| 26 | 111075 | SCREW - 1/4-28 x 7/8 | 2 |
| 27 | 150085 | NUT - 1/4-28 | 4 |
| 28 | 072197 | STUD | 1 |
| 29 | 195367 | SPACER - 7/16 O.D. x .255 I.D. | 4 |
| 30 | 196231 | ANCHOR - Spring, 1 15/32 O.A.L. (9815/9850) | 1 |
| 30 | 195327 | ANCHOR - Spring, 1 15/16 O.A.L. (9805/9810) | 1 |
| 31 | 076890 | PLATE - Side, O.S. | 1 |
| 32 | 111055 | SCREW - 10-32 x 9/16 | 4 |
| 33 | 192142 | SPRING - 1.000 O.A.L. | 1 |
| 34 | 076889 | PLATE - Side, N.O.S. | 1 |
| 35 | 195359 | NUT - Adapter | 1 |
| 36 | 014230 | SCREW - 1/4-28 x 1/2 (9815/9850) | 1 |
| 37 | 076887 | BRACKET - Stop | 1 |

Parts Catalog

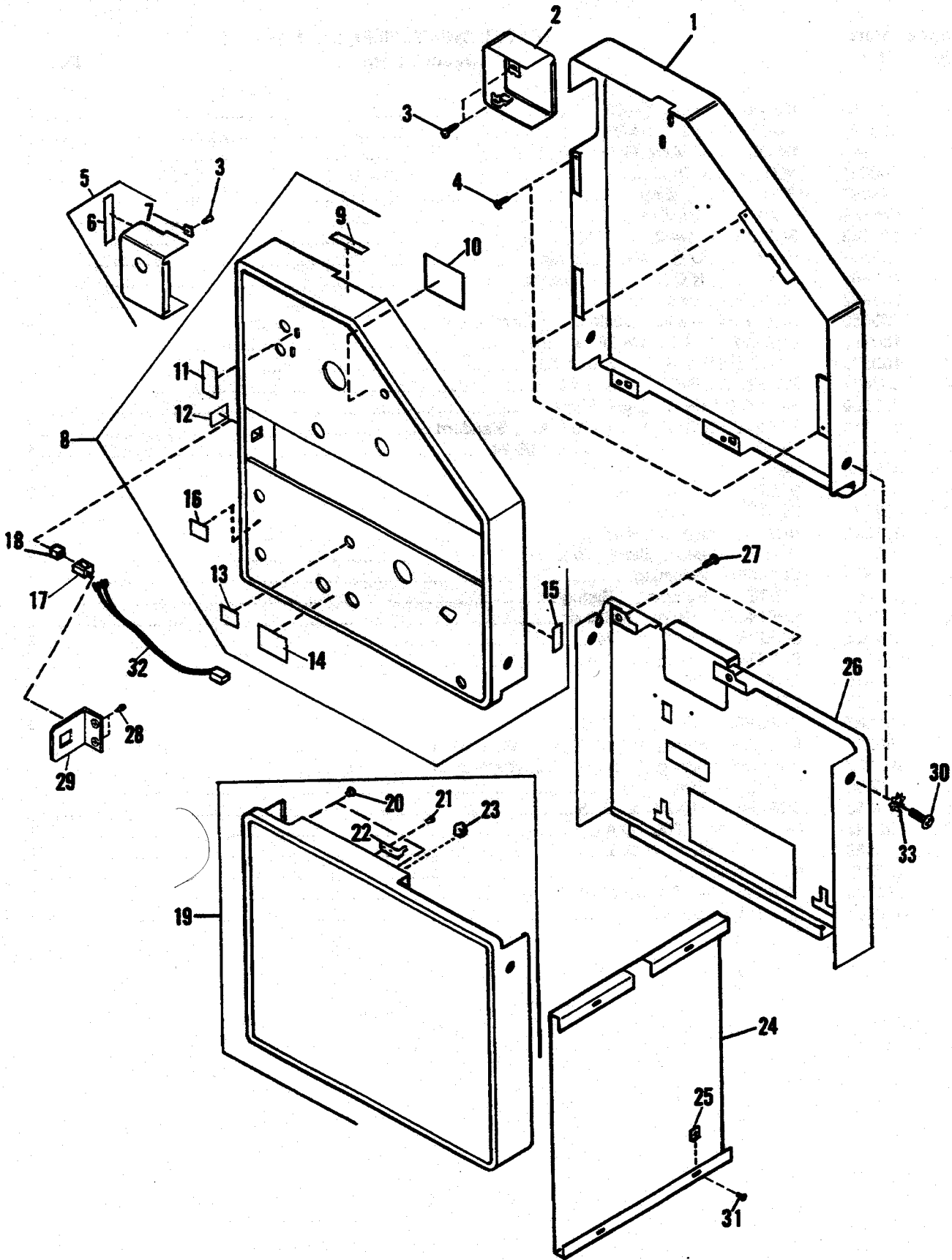


FIGURE 2
MODEL 9815/9850 Cover Assemblies

Parts Catalog

| Index No. | Part No. | MODEL 9805/9850 Figure 2 Description | Units Per Assy. |
|-----------|----------|--|-----------------|
| 1 | 010070 | COVER ASSEMBLY - N.O.S. Top | 1 |
| 1 | 087800 | COVER ASSEMBLY - N.O.S., Top (Square Corners) | 1 |
| 1 | 018526 | COVER ASSEMBLY - N.O.S., Top (9840 B) | 1 |
| 2 | 017539 | COVER ASSEMBLY - Ink, N.O.S., Cordovan | 1 |
| 2 | 018521 | COVER ASSEMBLY - Ink, N.O.S., Cordovan (9840 B) | 1 |
| 3 | 014311 | SCREW - 8-15 x 5/8 | 8 |
| 4 | 001631 | SCREW - 10-32 x 7/16 | 6 |
| 5 | 017537 | COVER ASSEMBLY - Ink, O.S., Cordovan | 1 |
| 5 | 018520 | COVER ASSEMBLY - Ink, O.S., Cordovan (9840 B) | 1 |
| 6 | 017541 | DECAL - Ink | 1 |
| 7 | 00884 | NUT - Speed, 8 | 2 |
| 8 | 017520 | COVER ASSEMBLY - O.S. 9835-40-50 Stain/Steel (Old Design) | 1 |
| 8 | 018466 | COVER ASSEMBLY - O.S. 9835-40-50 S/S (w/Emergency Stop) | 1 |
| 8 | 087804 | COVER ASSY. - O.S. 9835-40-50 S/S (w/Emergency Stop) SQ. Corners | 1 |
| 8 | 017521 | COVER ASSEMBLY - O.S. 9815-20, Cordovan (Old Design) | 1 |
| 8 | 018428 | COVER ASSEMBLY - O.S. 9815-20, Cordovan (w/Emergency Stop) | 1 |
| 9 | 017603 | DECAL - Water Control | 1 |
| 10 | 017094 | DECAL - Operation Control, QP, QPC & PRO, Gap Control M/C | 1 |
| 10 | 017608 | DECAL - Operation Control, TD & CD | 1 |
| 11 | 017093 | DECAL - Form Rollers, QP, QPC & PRO | 1 |
| 11 | 017607 | DECAL - Form Rollers, TD & CD | 1 |
| 12 | 017018 | DECAL - Feed (Aux.) On/Off, OP | 1 |
| 13 | 017090 | DECAL - Buckle, QP, QPC & PRO | 1 |
| 13 | 017604 | DECAL - Buckle, TD & CD | 1 |
| 14 | 017092 | DECAL - Air, Vac., QP, QPC & PRO | 1 |
| 14 | 017606 | DECAL - Air, Vac., TD & CD | 1 |
| 15 | 017605 | DECAL - Paper Height Regulator | 1 |
| 16 | 010187 | DECAL - Speed | 1 |
| 17 | 252986 | SWITCH - Feed, TD & QP (Old Design) | 1 |
| 17 | 253002 | SWITCH - Feed, TD & QP (Low Profile) | 1 |
| 18 | 252993 | LENS - Cap, Feed, TD & QP (Old Design) | 1 |
| 18 | 253031 | LENS - Cap, Feed, TD & QP (Low Design) | 1 |
| 19 | 017528 | COVER ASSEMBLY - O.S., Lower, QP, QPC & PRO, Cordovan | 1 |
| 19 | 400615 | COVER ASSY. - O.S. Lower, QP, QPC & PRO, Cordovan SQ. Corners | 1 |
| 19 | 018527 | COVER ASSEMBLY - O.S., Lower, 9840 B, Cordovan | 1 |
| 19 | 017527 | COVER ASSEMBLY - O.S., Lower, TD & CD, Ivory | 1 |
| 20 | 250167 | BUMPER - Rubber | 2 |
| 21 | 001541 | SCREW - 6-32 x 1/4 | 2 |
| 22 | 072222 | ACTUATOR - Switch | 1 |
| 23 | 054403 | CATCH - Spring | 2 |
| 24 | 017808 | PANEL - Rear, Old Design | 1 |
| 24 | 016315 | PANEL - Rear, Flat | 1 |
| 25 | 001853 | NUT - Speed, 8 | 4 |
| 26 | 017762 | COVER ASSEMBLY - N.O.S., Bottom, Cordovan | 1 |
| 26 | 010072 | COVER ASSEMBLY - N.O.S., Bottom, 9805-9810 | 1 |
| 27 | 01685 | SCREW - 1/4-28 x 3/8 | 2 |
| 28 | 111073 | SCREW - 1/4-28 x 5/8, TD & QP | 2 |
| 29 | 017140 | BRACKET ASSEMBLY - Switch, TD & QP | 1 |
| 30 | 196222 | SCREW - Painted, 10-32 x 5/8 | 8 |
| 31 | 101550 | SCREW - 1/4-20 X 5/8 | 4 |
| 32 | 017874 | CABLE ASSEMBLY - Feed, TD & QP | 1 |
| 33 | 100485 | WASHER - Lock | 12 |
| 34 | 191500 | ACTIVATOR FOR DECALS (Not Illustrated) | 1 |

NOTE: 196222 Screws are used to attach redesigned covers. If a new cover is installed in place of the previous design, holes must be drilled and tapped to accommodate mounting cover.

Parts Catalog

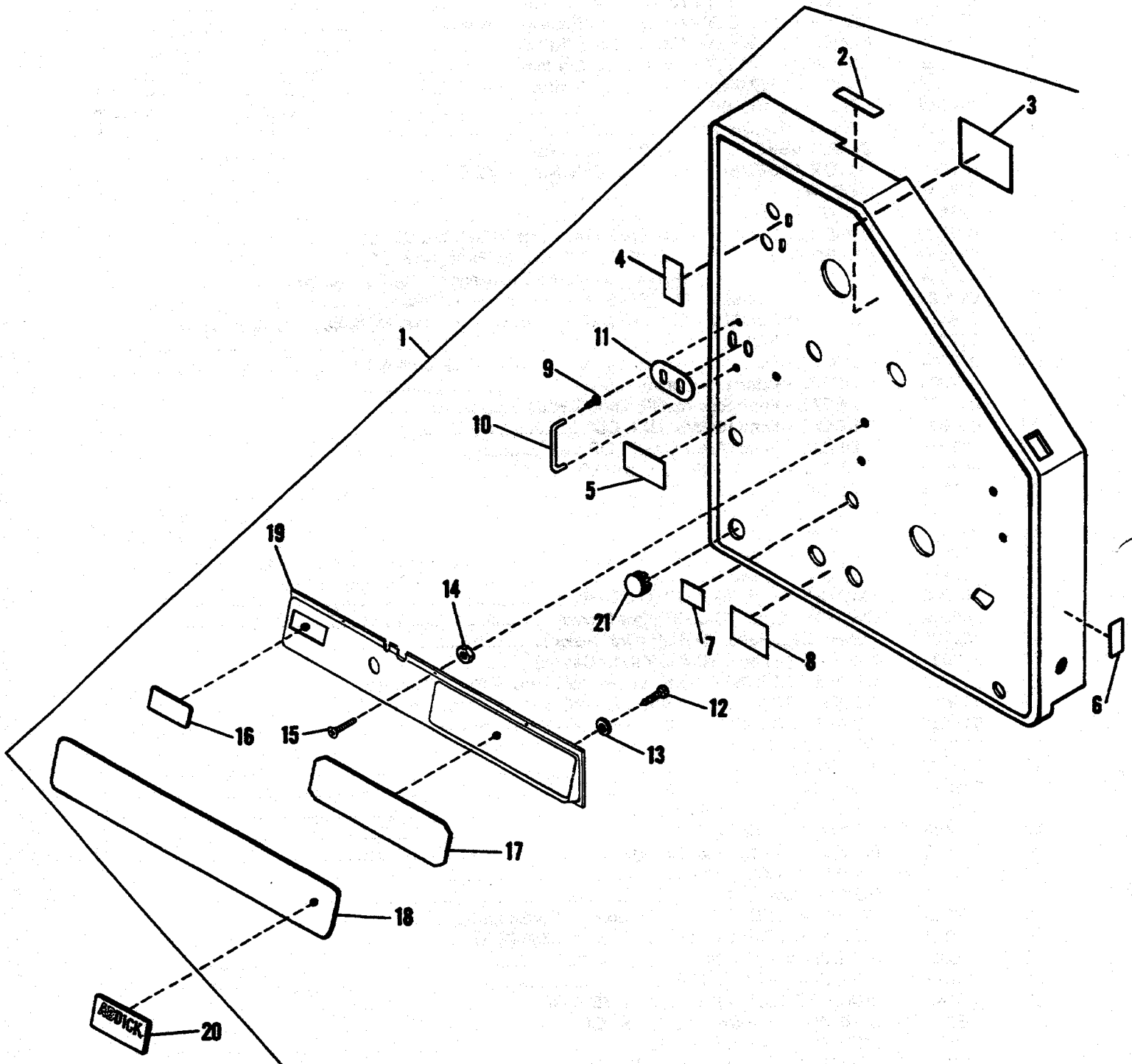


FIGURE 2A
MODEL 9805/9810 Cover Assembly - O.S.

Parts Catalog

| Index No. | Part No. | MODEL 9805/9850 Figure 2A Description | Units Per Assy. |
|-----------|----------|--|--------------------|
| 1 | 018244 | COVER ASSEMBLY - O.S. 9805/9810 Cordovan | 1 |
| 1 | 087802 | COVER ASSEMBLY - O.S. 9805/9810 Square Corners | 1 |
| 1 | 018200 | COVER ASSEMBLY - O.S. 9840 B | 1 |
| 2 | 017603 | DECAL - Water Control | 1 |
| 3 | 017608 | DECAL - Operation Control | 1 |
| 4 | 017607 | DECAL - Form Rollers | 1 |
| 5 | 010187 | DECAL - Speed | 1 |
| 6 | 017605 | DECAL - Paper Height Regulator | 1 |
| 7 | 017604 | DECAL - Buckle | 1 |
| 8 | 017606 | DECAL - Air & Vacuum | 1 |
| 9 | 111033 | SCREW - 8-32 x 5/16 | 2 |
| 10 | 080028 | GUARD - Switch | 1 |
| 11 | 018316 | PLATE - Switch | 1 |
| 12 | 001279 | SCREW - 8-18 x 1/2 | 2 |
| 13 | 015490 | WASHER - Plain, .190 I.D. x .625 O.D. x .015 | 2 |
| 14 | 150081 | NUT - 8-32 | 3 |
| 15 | 112652 | SCREW - Flat Head, 8-32 x 9/16 | 3 |
| 16 | 018179 | PLATE - Filler 1 7/16 x 2 15/16 | 1 |
| 17 | 018178 | PLATE - Filler 3 3/32 x 12 | 1 |
| 18 | 018177 | PANEL | 1 |
| 19 | 017761 | PANEL | 1 |
| 20 | 018242 | NAME PLATE - 9805 | 1 |
| 20 | 018243 | NAME PLATE - 9810 | 1 |
| 20 | 016766 | NAME PLATE - 9810XC | 1 |
| 20 | 016320 | NAME PLATE - 9810XCS | 1 |
| 20 | 016170 | NAME PLATE - 9810XCD | 1 |
| 20 | 016322 | NAME PLATE - 9810XCB | 1 |
| 20 | 018190 | NAME PLATE - 9810K | 1 |
| 20 | 016171 | NAME PLATE - 9860 | 1 |
| 21 | 191978 | PLUG - 7/8 DIA. Hole | 1 |

Parts Catalog

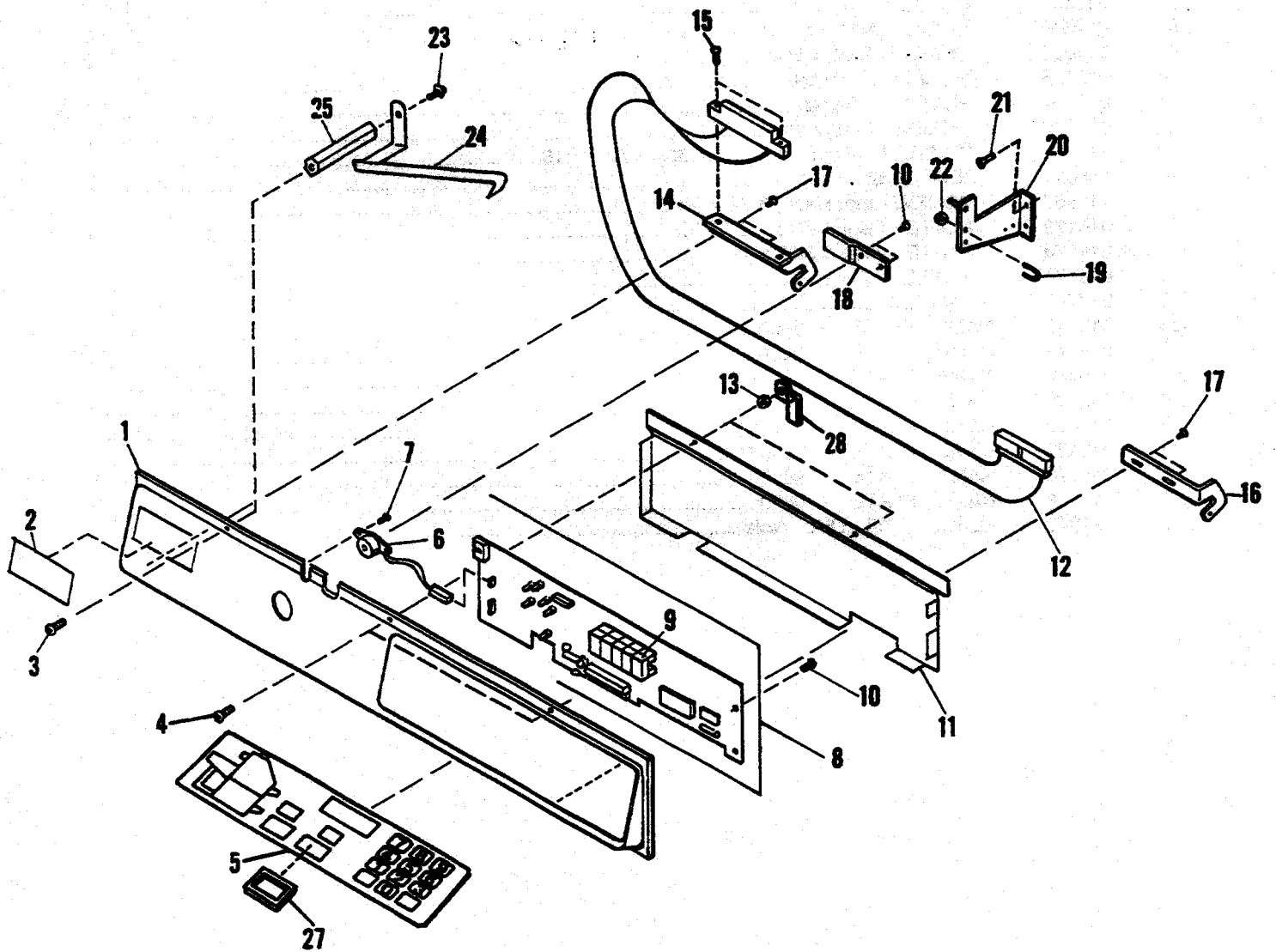


FIGURE 3
MODEL 9815/9850 Control Panel

Parts Catalog

| Index No. | Part No. | MODEL 9805/9850 Figure 3 Description | Units Per Assy. |
|-----------|----------|--|-----------------|
| 1 | 017761 | PANEL - Control..... | 1 |
| 2 | 016945 | NAME PLATE - 9815, TD..... | 1 |
| 2 | 016946 | NAME PLATE - 9820, CD..... | 1 |
| 2 | 016947 | NAME PLATE - 9835, QP..... | 1 |
| 2 | 016948 | NAME PLATE - 9840, QPC..... | 1 |
| 2 | 016949 | NAME PLATE - 9850, PRO..... | 1 |
| 2 | 016766 | NAME PLATE - 9810XC..... | 1 |
| 2 | 016320 | NAME PLATE - 9810XCS..... | 1 |
| 3 | 112652 | SCREW - 8-32 x 9/16..... | 2 |
| 4 | 112652 | SCREW - 8-32 x 9/16..... | 1 |
| 5 | 017716 | SWITCH PANEL - Membrane, TD & CD..... | 1 |
| 5 | 017811 | SWITCH PANEL - Membrane, QP, QPC & PRO <i>9840/50</i> | 1 |
| 6 | 017876 | BUZZER ASSEMBLY - Mini..... | 1 |
| 7 | 001540 | SCREW - 4-24 x 3/8..... | 2 |
| 8 | 017753 | P.C. BOARD ASSEMBLY - Keyboard, TD & CD..... | 1 |
| 8 | 017759 | P.C. BOARD ASSEMBLY - Keyboard, QP, QPC & PRO <i>9840/50</i> | 1 |
| 9 | 252802 | DISPLAY - 7 Segment..... | 5 |
| 9 | 252796 | INTEGRATED CIRCUIT - U2..... | 1 |
| 10 | 001292 | SCREW - 8-32 x 5/16..... | 6 |
| 11 | 016894 | COVER - P.C. Board..... | 1 |
| 12 | 016889 | CABLE ASSEMBLY - Keyboard..... | 1 |
| 13 | 150081 | NUT - 8-32..... | 1 |
| 14 | 016895 | BRACKET - Hinge..... | 1 |
| 15 | 100529 | SCREW - 4-40 x 3/8..... | 2 |
| 16 | 017799 | BRACKET - Hinge, R.H..... | 1 |
| 17 | 001279 | SCREW - 8-18 x 1/2..... | 4 |
| 18 | 017076 | CLAMP - Harness..... | 1 |
| 19 | 017589 | GUIDE - Harness..... | 2 |
| 20 | 017797 | BRACKET - Pivot L.H..... | 1 |
| 20 | 017163 | BRACKET - Pivot R.H. (Not Illustrated)..... | 1 |
| 21 | 001220 | SCREW - 10-32 x 3/8..... | 4 |
| 22 | 100228 | NUT - 4-40..... | 2 |
| 23 | 111054 | SCREW - 10-32 x 1/2..... | 2 |
| 24 | 016896 | BRACKET - Cable..... | 1 |
| 25 | 196262 | SPACER..... | 2 |
| 26 | 196336 | TOOL - Cable Connector (Not Illustrated)..... | 1 |
| 27 | 018620 | GUIDE - ON/OFF Switch..... | 1 |
| 28 | 025683 | RETAINER - P.C. Board Cover..... | 1 |

Parts Catalog

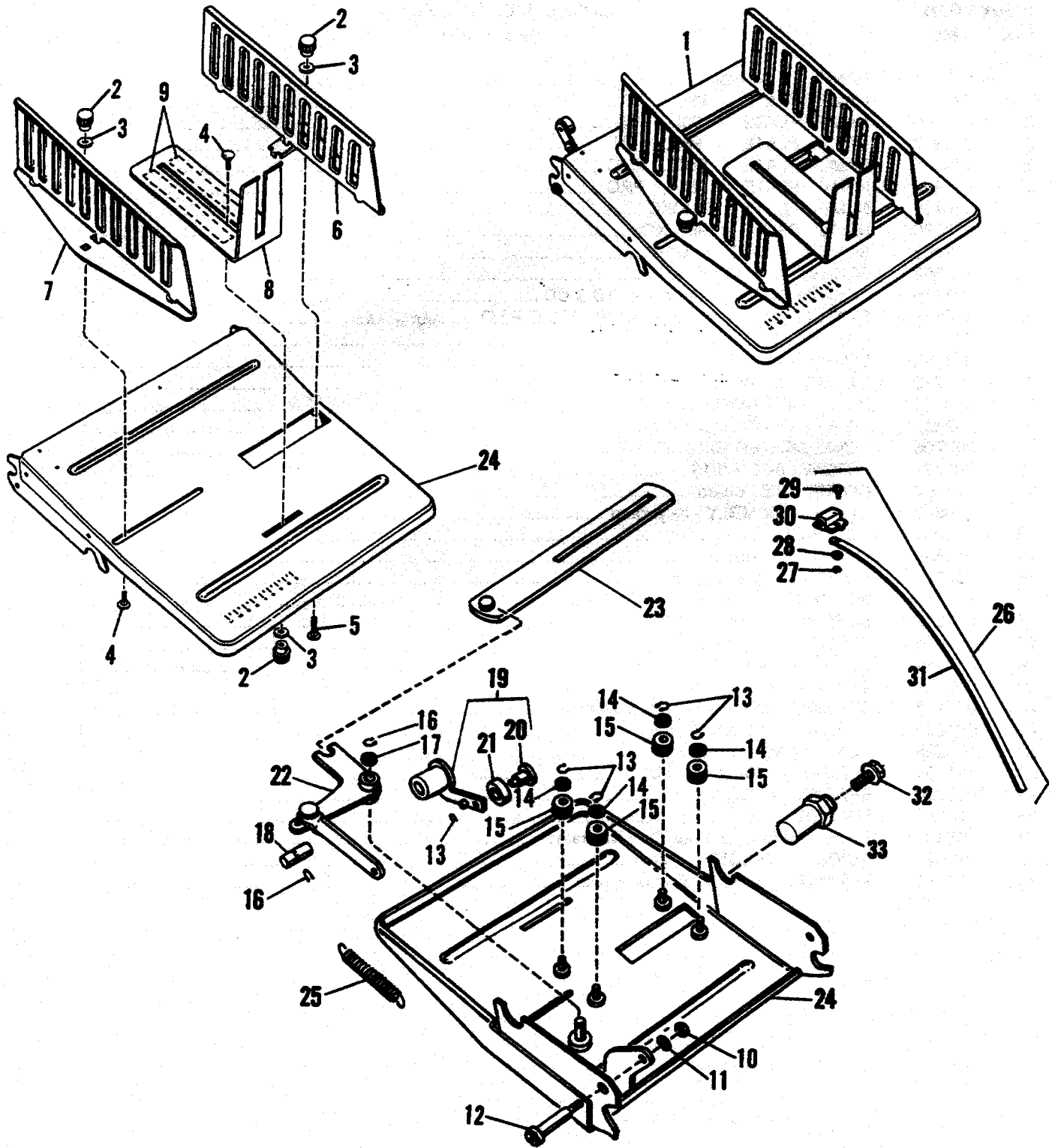


FIGURE 4
MODEL 9815/9850 Receiving Tray Assembly

Parts Catalog

| Index No. | Part No. | MODEL 9805/9850 Figure 4 Description | Units Per Assy. |
|-----------|----------|--|-----------------|
| 1 | 017676 | RECEIVING TRAY ASSEMBLY | 1 |
| 2 | 072757 | KNOB - 1/4-20 | 3 |
| 3 | 191297 | WASHER - .349 I.D. x .625 O.D. | 3 |
| 4 | 014169 | SCREW - Carriage, 1/4-20 x 1/2 | 2 |
| 5 | 014170 | SCREW - Carriage, 1/4-20 x 7/8 | 1 |
| 6 | 072767 | PAPER GUIDE ASSEMBLY - O.S. | 1 |
| 7 | 072765 | PAPER GUIDE ASSEMBLY - N.O.S. | 1 |
| 8 | 072763 | BACK STOP - Paper | 1 |
| 9 | 066238 | FELT STRIP | 2 |
| 10 | 001812 | NUT - 10-32 | 1 |
| 11 | 022621 | WASHER - .197 I.D. x .500 O.D. | 1 |
| 12 | 072795 | SCREW - Shoulder, 10-32 | 1 |
| 13 | 001049 | RING - Retaining, .227 I.D. | 5 |
| 14 | 006675 | WASHER - .263 I.D. x .500 O.D. | 4 |
| 15 | 072774 | TRUCK - Ram | 4 |
| 16 | 001047 | RING - Retaining, .340 I.D. | 2 |
| 17 | 014703 | WASHER - .384 I.D. x .562 O.D. | 1 |
| 18 | 072796 | SLEEVE - Pivot | 1 |
| 19 | 072784 | TRUCK AND LEVER ASSEMBLY | 1 |
| 20 | 072790 | RIVET | 1 |
| 21 | 072176 | TRUCK | 1 |
| 22 | 072775 | CRANK AND LINK ASSEMBLY | 1 |
| 23 | 007694 | RAM - Receiving Tray | 1 |
| 24 | 017677 | TRAY - Receiving | 1 |
| 25 | 072544 | SPRING - Tension, .406 O.D. x 3.125 O.A.L. | 1 |
| 26 | 010364 | TRAY BAIL - (New Design) (Not illustrated) | 1 |
| 26 | 012142 | TRAY BAIL ASSEMBLY | 1 |
| 27 | 014507 | RING - Retaining, .282 O.D. | 1 |
| 28 | 001747 | WASHER - .128 I.D. x .375 O.D. | 1 |
| 29 | 072756 | PIN - Shoulder, Grooved | 1 |
| 30 | 064086 | BRACKET | 1 |
| 31 | 084071 | TRAY BAIL | 1 |
| 32 | 111091 | SCREW - 5/16-24 x 3/4 | 2 |
| 33 | 196470 | STUD - Tray Support | 2 |

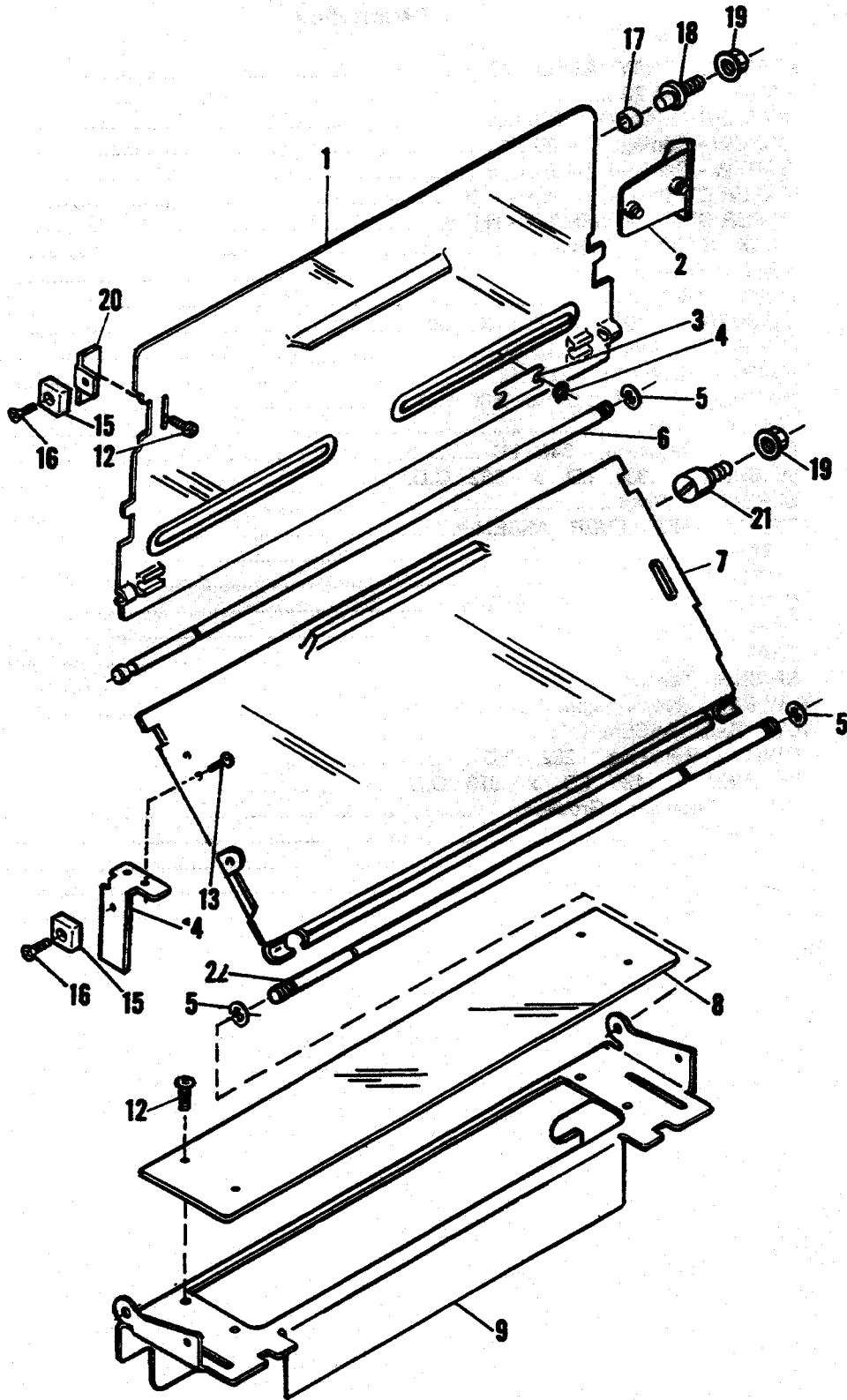


FIGURE 5
MODEL 9815/9850 Safety Guards - Part I (Old Design)

Parts Catalog

| Index No. | Part No. | MODEL 9805/9850 Figure 5 Description | Units Per Assy. |
|-----------|----------|--|-----------------|
| 1 | OBS | GUARD - Master Cylinder, TD and CD | 1 |
| 1 | OBS | GUARD - Master Cylinder, QP, QPC and PRO | 1 |
| 2 | 007988 | GUIDE - Master Cylinder | 2 |
| 3 | 027291 | SPRING - Strip | 3 |
| 4 | 014463 | RING - Retaining, .183 I.D. x .038 | 4 |
| 5 | 001060 | RING - Retaining, .208 I.D. x .027 | 4 |
| 6 | 007980 | SHAFT - Cylinder Guards | 1 |
| 7 | OBS | GUARD - Blanket Cylinder, TD and CD | 1 |
| 7 | 078343 | GUARD - Blanket Cylinder, QP, QPC and PRO | 1 |
| 8 | OBS | GUARD - Suction Fingers | 1 |
| 9 | OBS | GUARD - Suction Fingers | 1 |
| 10 | 111053 | SCREW - 10-32 x 7/16 | 2 |
| 11 | 014248 | NUT - 10-32 | 2 |
| 12 | 001575 | SCREW - 10-32 x 5/16 | 4 |
| 13 | 001586 | SCREW - 8-32 x 5/16 | 4 |
| 14 | 078347 | BRACKET - Magnet, Blanket Cylinder (9815/9850) | 1 |
| 14 | 007744 | BRACKET - Magnet, Blanket Cylinder (9805/9810) | 1 |
| 15 | 194847 | MAGNET | 2 |
| 16 | 101366 | SCREW - Brass, 6-32 x 7/16 | 2 |
| 17 | 194689 | TUBING | 1 |
| 18 | 111075 | SCREW - 1/4-28 x 7/8 | 1 |
| 19 | 150085 | NUT - 1/4-28 | 5 |
| 20 | 007816 | BRACKET - Magnet | 1 |
| 20 | 078347 | BRACKET - Magnet, QP and QPC | 1 |
| 21 | 196327 | SCREW - Stop, Special | 2 |
| 22 | 078348 | SHAFT - Blanket Cylinder Guard - QP, QPC and PRO | 1 |

Parts Catalog

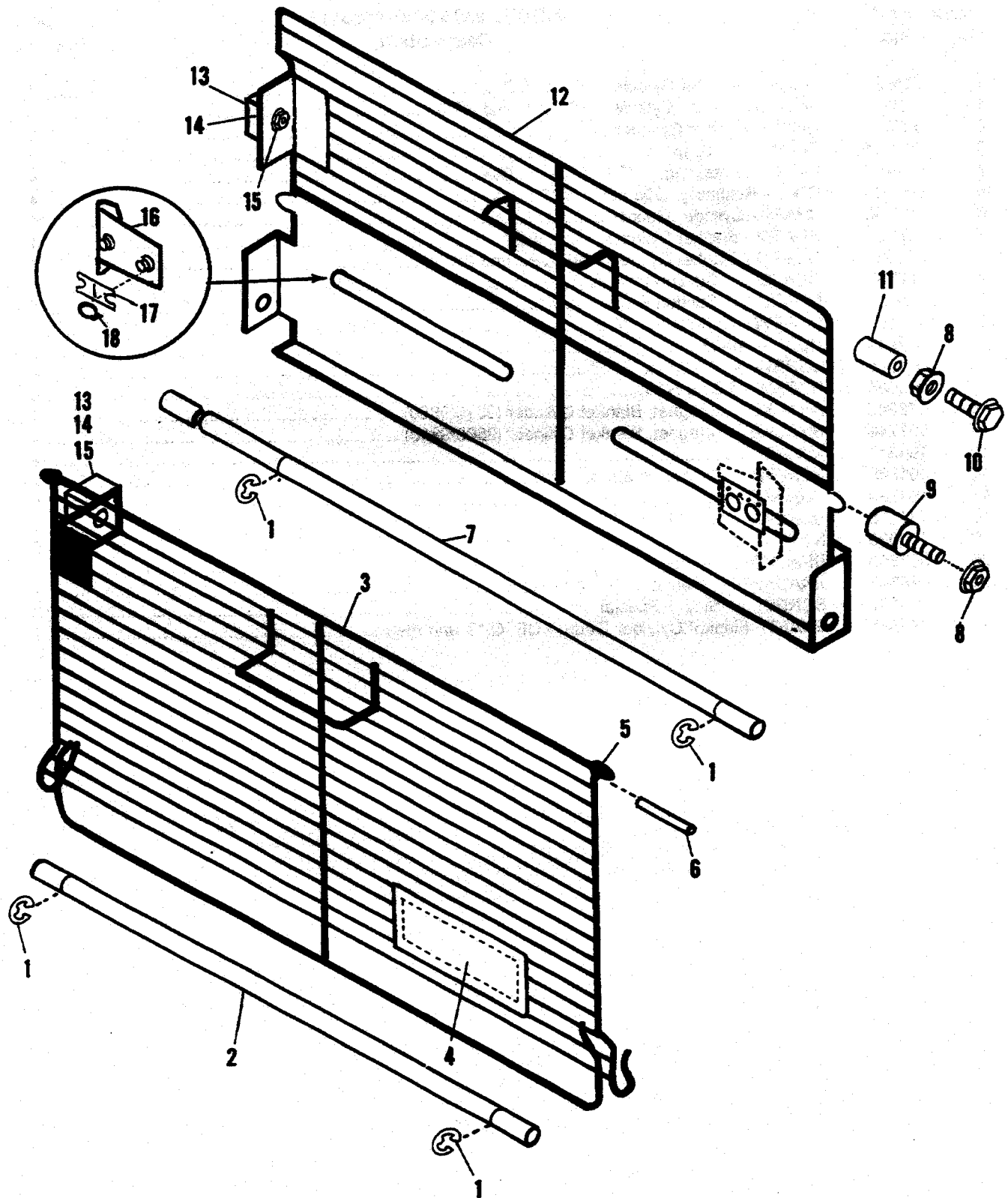


FIGURE 5A
MODEL 9815/9850 Safety Guards - Part I (New Design)

Parts Catalog

| Index No. | Part No. | MODEL 9805/9850 Figure 5A Description | Units Per Assy. |
|-----------|----------|--|-----------------|
| 1 | 001060 | RING - Retaining, .208 | 4 |
| 2 | 078348 | SHAFT - Blanket Guard | 1 |
| 3 | 010413 | GUARD - Blanket | 1 |
| 4 | 072258 | DECAL | 1 |
| 5 | 101944 | BUMPER | 1 |
| 6 | 100131 | PIN - Roll, .199 O.D. x 1.230 O.A.L. | 1 |
| 7 | 007980 | SHAFT - Master Guard | 1 |
| 8 | 150085 | NUT - 1/4-28 | 2 |
| 9 | 196327 | SCREW - Stop, Special | 1 |
| 10 | 111075 | SCREW - 1/4-28 x 7/8 | 1 |
| 11 | 194689 | TUBING | 1 |
| 12 | 010414 | GUARD - Master | 1 |
| 12 | 400697 | TABLE ASSEMBLY - Master Load Model 9810XC2 | 1 |
| 12 | 400698 | GARD EXTENTION - Dampener Model 9810XC2 | 1 |
| 13 | 101366 | SCREW - Brass, 6-32 x 7/16 | 1 |
| 14 | 194847 | MAGNET | 1 |
| 15 | 150080 | NUT - 6-32 | 1 |
| 16 | 007988 | GUIDE - Spring | 2 |
| 17 | 027291 | SPRING - Strip | 2 |
| 18 | 014463 | RING - Retaining, .183 I.D. | 2 |

For 48-dash 9805/50 240V 50Hz. United Kingdom Machines

| | | | | |
|----|--------|--|----------------|---|
| 2 | 018312 | SHAFT ASSEMBLY- Blanket, W/Actuator | United Kingdom | 1 |
| 3 | 010431 | GUARD - Blanket | United Kingdom | 1 |
| 7 | 018310 | SHAFT ASSEMBLY - Master, W/Actuator | United Kingdom | 1 |
| 12 | 010425 | GUARD - Master | United Kingdom | 1 |
| 19 | 010390 | BRACKET- SW. Guard, Blk. (Not Illustrated) | United Kingdom | 1 |
| 20 | 010428 | BRACKET- SW. Guard, Mas. (Not Illustrated) | United Kingdom | 1 |
| 21 | 253211 | SWITCH - Safety Guards, (Not Illustrated) | United Kingdom | 2 |

Parts Catalog

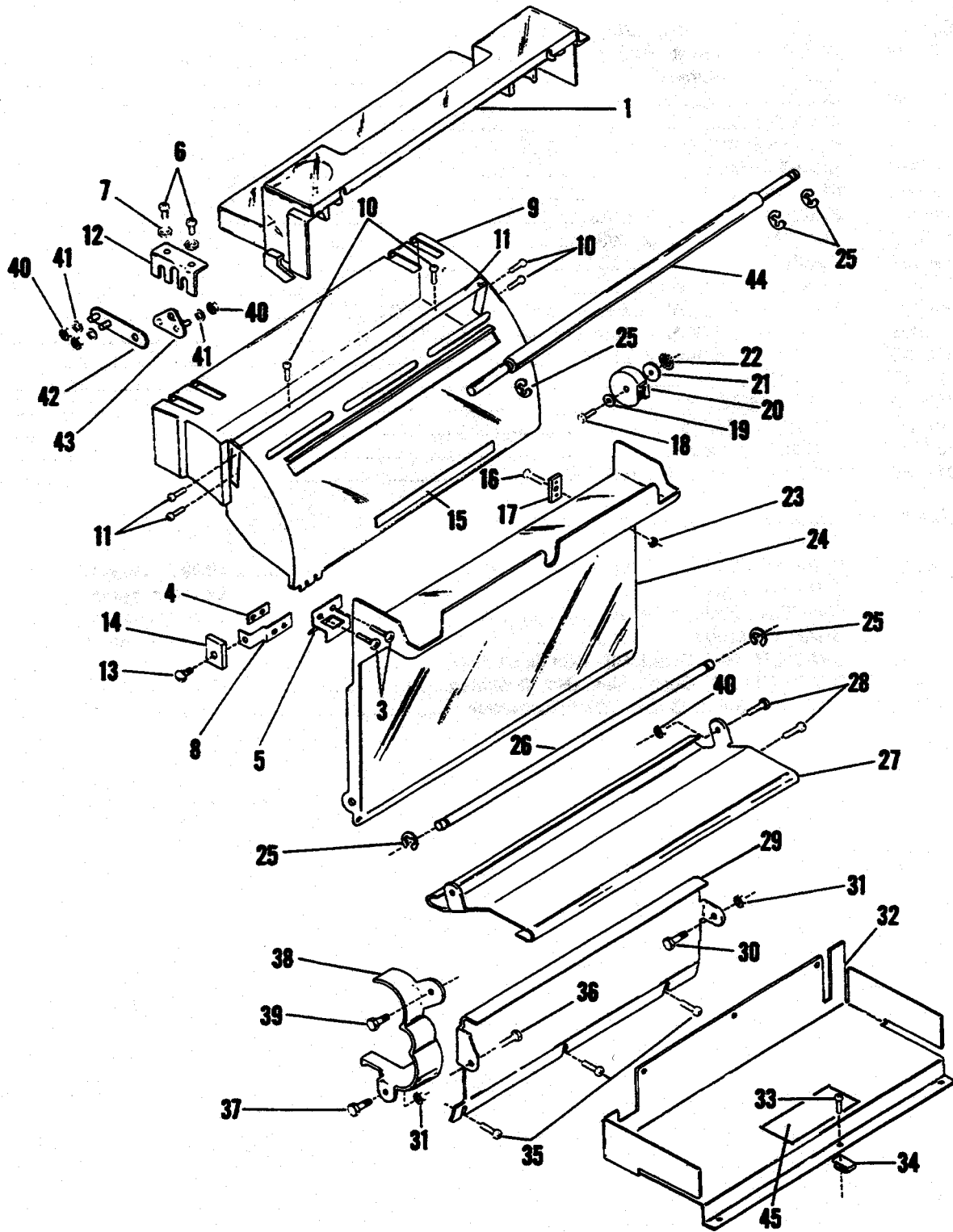


FIGURE 6
MODEL 9815/9850 Safety Guards - Part II (Old Design)

Parts Catalog

| Index No. | Part No. | MODEL 9805/9850 Figure 6 Description | Units Per Assy. |
|-----------|----------|--|-----------------|
| 1 | 017720 | GUARD - Aquamatic..... | 1 |
| 3 | 001299 | SCREW - 6-32 x 7/16..... | 2 |
| 4 | 007737 | NUT PLATE..... | 1 |
| 5 | 017075 | BRACKET..... | 1 |
| 6 | 014136 | SCREW - 10-32 x 7/16..... | 4 |
| 7 | 014774 | WASHER - Plain, .203 I.D. x 1/2 O.D. x .029..... | 4 |
| 8 | 007738 | BRACKET..... | 1 |
| 9 | OBS | COVER - Plastic, TD and CD..... | 1 |
| 9 | 017711 | COVER - Plastic, QP, QPC and PRO..... | 1 |
| 10 | 001106 | SCREW - 10-32 x 5/16..... | 6 |
| 11 | 017717 | BRACE..... | 1 |
| 12 | 078632 | BRACKET..... | 2 |
| 13 | 101366 | SCREW - Brass, 6-32 x 7/16..... | 1 |
| 14 | 196140 | MAGNET..... | 1 |
| 15 | 076897 | DECAL - "Do Not Operate, etc."..... | 1 |
| 16 | 112515 | SCREW - 4-40 x 5/16..... | 2 |
| 17 | 076836 | PLATE - Strike, TD and QP..... | 2 |
| 18 | 110073 | SCREW - 1/4-28 x 5/8..... | 2 |
| 18 | 111060 | SCREW - 10-32 x 1 1/8, Switch Box Mounting..... | 1 |
| 19 | 015490 | WASHER - Plain, .190 I.D. x 5/8 x .015..... | 1 |
| 20 | 076835 | CATCH - Magnetic, TD and QP..... | 2 |
| 21 | 073544 | SPACER - TD and QP..... | 2 |
| 22 | 014808 | NUT - 1/4-28, TD and QP..... | 2 |
| 23 | 100115 | NUT - 4-40..... | 2 |
| 24 | OBS | GUARD - impression Cylinder, TD and QP..... | 1 |
| 25 | 001060 | RING - Retaining, .208 I.D. x .027..... | 5 |
| 26 | 007981 | SHAFT..... | 1 |
| 27 | 017060 | GUARD - Center, TD and QP..... | 1 |
| 28 | 111054 | SCREW - 10-32 x 1/2..... | 3 |
| 29 | 017692 | GUARD - Upper..... | 1 |
| 30 | 100657 | SCREW - 10-32 x 5/8..... | 1 |
| 31 | 014248 | NUT - Lock, 10-32..... | 1 |
| 32 | 017809 | GUARD - Lower..... | 1 |
| 33 | 001574 | SCREW - 8-15 x 1/2..... | 3 |
| 34 | 001853 | NUT - Speed, #8..... | 3 |
| 35 | 001220 | SCREW - 10-32 x 3/8..... | 3 |
| 36 | 001575 | SCREW - 10-32 x 5/16..... | 1 |
| 37 | 111058 | SCREW - 10-32 x 7/8..... | 1 |
| 38 | 076869 | GUARD - Rear, TD and QP..... | 1 |
| 39 | 111054 | SCREW - 10-32 x 1/2..... | 4 |
| 40 | 150083 | NUT - 10-32..... | 8 |
| 41 | 016261 | WASHER - Fiber, .200 I.D. x 1/2 O.D. x .063..... | 8 |
| 42 | 007954 | BRACKET - Hinge, Aquamatic Guard..... | 2 |
| 43 | 007952 | BRACKET - Hinge..... | 2 |
| 44 | OBS | SHAFT - Guard Pivot..... | 1 |
| 45 | 076898 | LABEL - "Caution"..... | 1 |

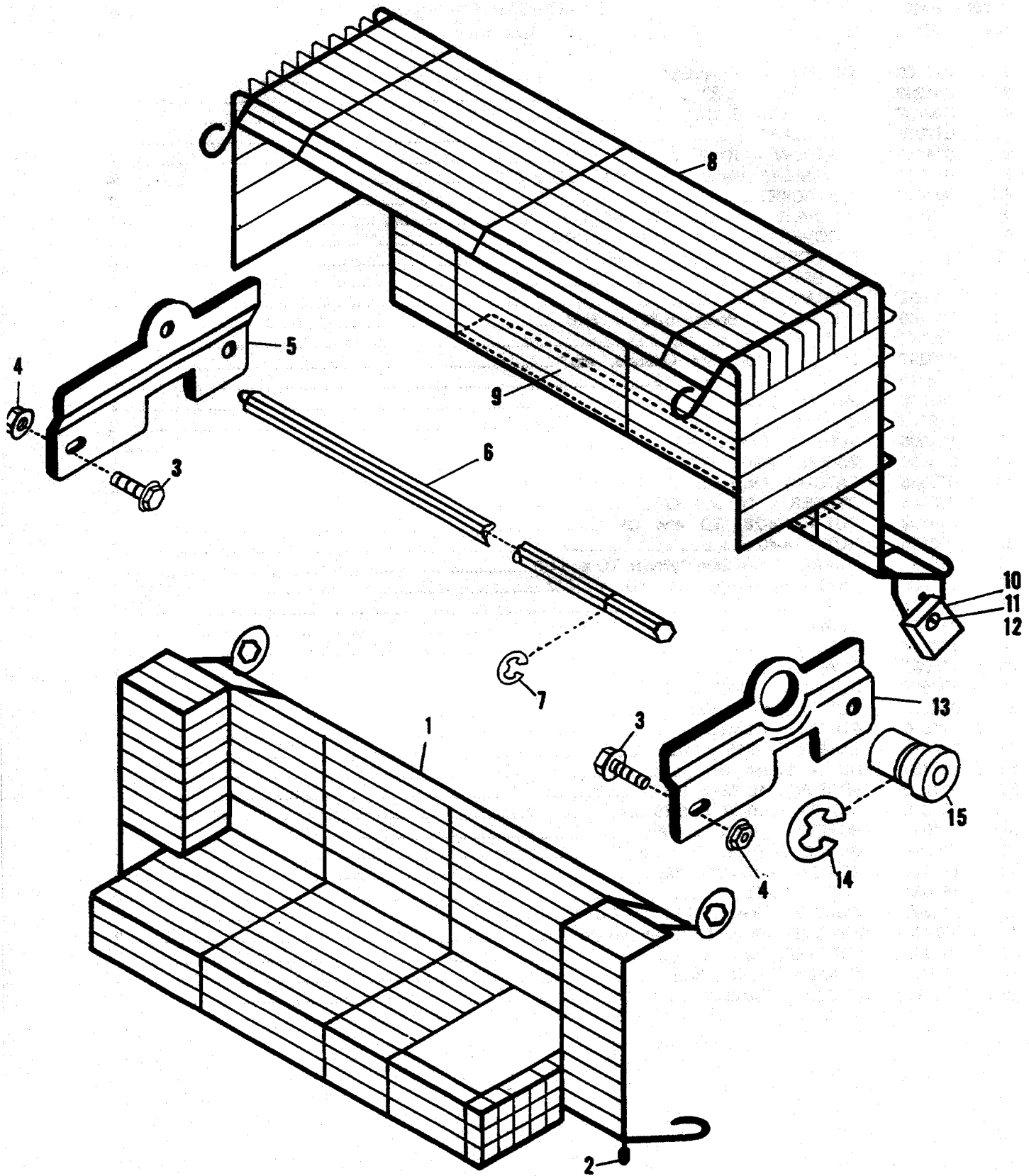


FIGURE 6A
MODEL 9815/9850 Safety Guards - Part II (New Design)

Parts Catalog

| Index No. | Part No. | MODEL 9805/9850 Figure 6A Description | Units Per Assy. |
|-----------|----------|--|-----------------|
| 1 | 010411 | GUARD - Aquamatic | 1 |
| 2 | 101944 | BUMPER | 1 |
| 3 | 111070 | SCREW - 1/4-28 x 7/16 | 4 |
| 4 | 150085 | NUT - 174-28 | 4 |
| 5 | 010378 | BRACKET - O.S. | 1 |
| 6 | 018315 | SHAFT - Guard | 1 |
| 7 | 001060 | RING - Retaining, .208 I.D. | 1 |
| 8 | 010412 | GUARD - Ink | 1 |
| 8 | 018506 | GUARD - Screen, Ink (Old Design) | 1 |
| 9 | 076897 | DECAL | 1 |
| 10 | 196140 | MAGNET | 1 |
| 11 | 101366 | SCREW - Brass, 6-32 x 7/16 | 1 |
| 12 | 150080 | NUT - 6-32 | 1 |
| 13 | 010379 | BRACKET - N.O.S. | 1 |
| 14 | 001073 | RING - Retaining, .577 I.D. | 1 |
| 15 | 196822 | BUSHING | 1 |

For 48-dash 9805/50 240V 50Hz. United Kingdom Machines

| | | | | |
|----|--------|---|----------------|---|
| 16 | 018314 | SHAFT ASSEMBLY - Guard | United Kingdom | 1 |
| 18 | 010423 | GUARD - Ink | United Kingdom | 1 |
| 15 | 025667 | CAM ASSEMBLY | United Kingdom | 1 |
| 16 | 014291 | PIN - Roll, .131 x .812 (Not Illustrated) | United Kingdom | 1 |
| 17 | 010405 | BRACKET ASSY. - Switches, (Not Illustrated) | United Kingdom | 1 |
| 18 | 253211 | SWITCH - Safety, Guards (Not Illustrated) | United Kingdom | 2 |
| 19 | 010342 | INSULATOR - Switch, (Not Illustrated) | United Kingdom | 2 |
| 20 | 101983 | SCREW - 6-32 x 1 5/8 (Not Illustrated) | United Kingdom | 3 |
| 21 | 010388 | COVER - Switches, (Not Illustrated) | United Kingdom | 1 |

Parts Catalog

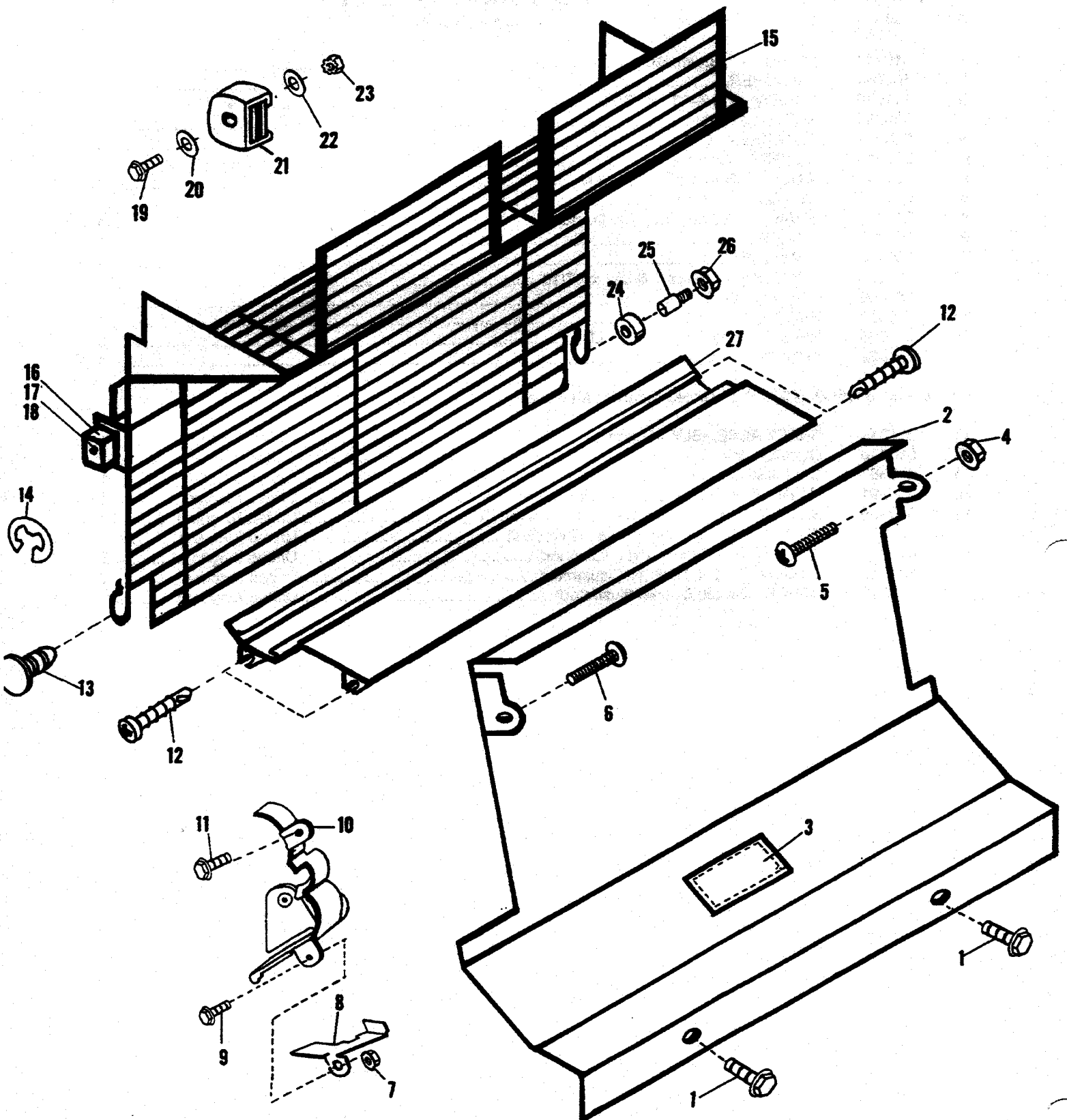


FIGURE 6B
MODEL 9815/9850 Safety Guards - Part III (New Design)

Parts Catalog

| Index No. | Part No. | MODEL 9805/9850 Figure 6B Description | Units Per Assy. |
|-----------|----------|---------------------------------------|-----------------|
| 1 | 101494 | SCREW - 1/4-20 x 5/8 | 2 |
| 2 | 016318 | GUARD - Tray | 1 |
| 3 | 076898 | DECAL | 1 |
| 4 | 150085 | NUT - 1/4-28 | 2 |
| 5 | 100657 | SCREW - 10-32 x 5/8 | 1 |
| 6 | 001575 | SCREW - 10-32 x 5/16 | 1 |
| 7 | 014248 | NUT - 10-32 | 2 |
| 8 | 072051 | SHIELD | 1 |
| 9 | 111058 | SCREW - 10-32 x 7/8 | 1 |
| 10 | 076869 | GUARD - Rear | 1 |
| 11 | 111054 | SCREW - 10-32 x 1/2 | 1 |
| 12 | 101976 | SCREW - 1/4-20 x 3/4 | 2 |
| 13 | 010419 | STUD | 1 |
| 14 | 001080 | RING - Retaining, .302 I.D. | 1 |
| 15 | 010415 | GUARD - Impression | 1 |
| 16 | 196140 | MAGNET | 1 |
| 17 | 101366 | SCREW - Brass, 6-32 x 7/16 | 1 |
| 18 | 150080 | NUT - 6-32 | 1 |
| 19 | 110073 | SCREW - 10-32 x 1 | 1 |
| 19 | 111060 | SCREW - 10-32 x 1 1/8 | 1 |
| 20 | 015490 | WASHER - .190 I.D. x 5/8 O.D. | 1 |
| 21 | 076835 | CATCH - Magnetic | 1 |
| 22 | 073544 | SPACER | 1 |
| 23 | 014808 | NUT - 1/4-28 | 1 |
| 24 | 077552 | BUSHING | 1 |
| 25 | 074717 | STUD | 1 |
| 26 | 150083 | NUT - 10-32 | 1 |
| 27 | 010420 | GUARD - Delivery Roller | 1 |

For 48-dash 9805/50 240V 50Hz. United Kingdom Machines

| | | | | |
|----|--------|---|----------------|---|
| 15 | 018192 | GUARD - Impression | United Kingdom | 1 |
| 28 | 010399 | BRACKET ASSY. - Imp. SW. (Not Illustrated) | United Kingdom | 1 |
| 29 | 010402 | ACTUATOR ASSY. - Imp. SW. (Not Illustrated) | United Kingdom | 1 |
| 30 | 253211 | SWITCH - Guard, Imp. (Not Illustrated) | United Kingdom | 1 |
| 31 | 100961 | SCREW - 6-32 x 7/8 (Not Illustrated) | United Kingdom | 1 |
| 32 | 190731 | NUT-PLATE - (Not Illustrated) | United Kingdom | 1 |

Parts Catalog

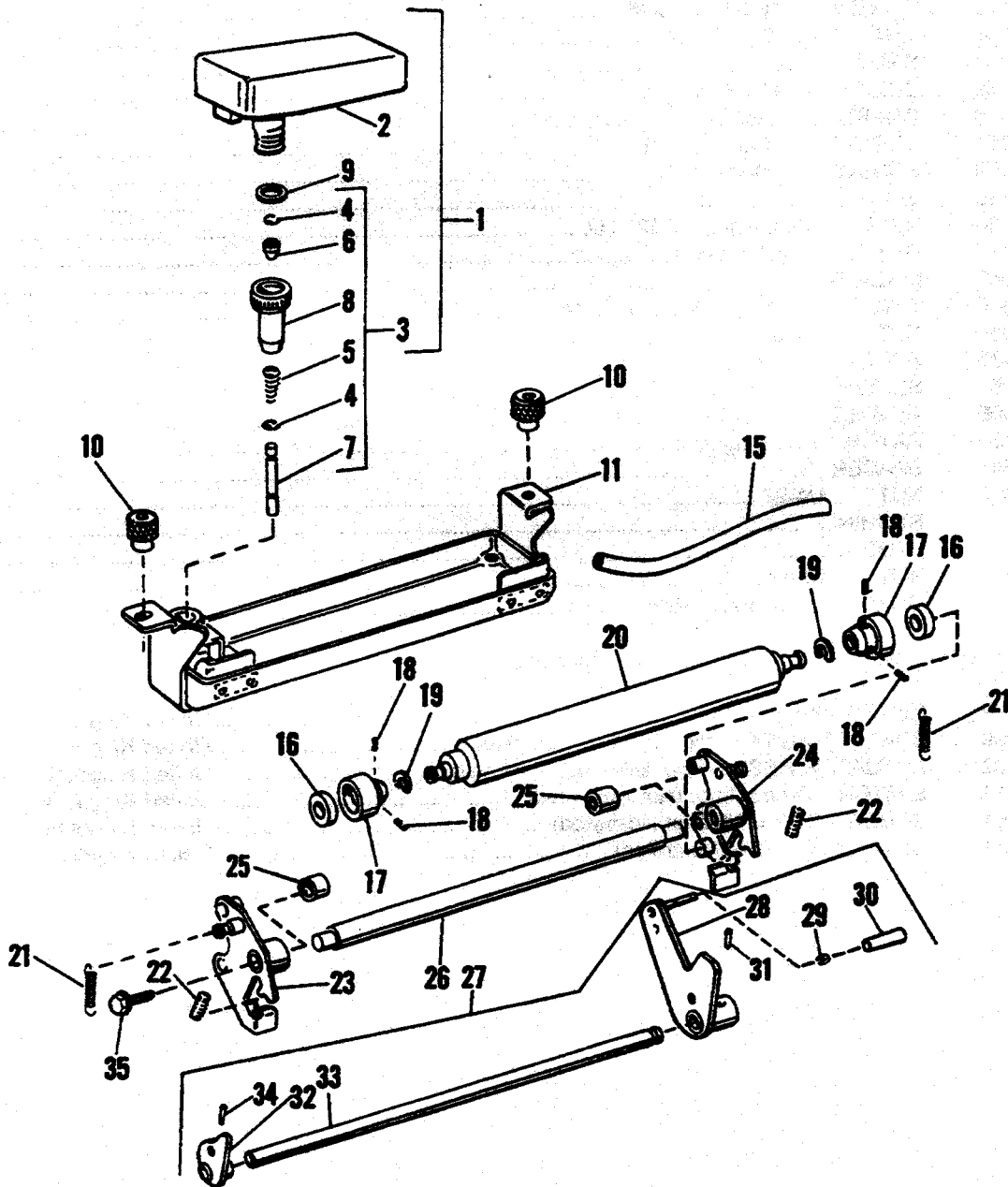


FIGURE 7
MODEL 9815/9850 Aquamatic - Part I

Parts Catalog

| Index No. | Part No. | MODEL 9805/9850 Figure 7 Description | Units Per Assy. |
|-----------|-----------|---|--------------------|
| 1 | ***017674 | BOTTLE ASSEMBLY - Repellent | 1 |
| 2 | 012141 | BOTTLE - Repellent | 1 |
| 3 | 017747 | VALVE ASSEMBLY | 1 |
| 4 | 014507 | RING - Retaining - .095 I.D. | 2 |
| 5 | 073308 | SPRING - Valve Pin | 1 |
| 6 | 040868 | SEAL - Bottle Cap | 1 |
| 7 | 080536 | VALVE PIN | 1 |
| 8 | 017820 | CAP - Bottle | 1 |
| 9 | 400543 | WASHER - Bottle Cap | 1 |
| 10 | 080581 | KNOB - Trough Mounting | 2 |
| 11 | 007653 | TROUGH ASSEMBLY | 1 |
| 15 | 191586 | HOSE - Trough Drain | 1 |
| 16 | 080505 | BEARING - Ductor Roller | 2 |
| 17 | 080504 | HOUSING - Ductor Roller Bearing, TD, CD, QP and QPC | 2 |
| 17 | 080591 | HOUSING - Bearing, PRO | 2 |
| 18 | 014372 | SCREW - Set, 10-32 x 1/4 | 4 |
| 19 | 014518 | RING - Retaining, .395 I.D. | 2 |
| 20 | 007668 | ROLLER - Ductor, Rubber TD, CD, QP and QPC | 1 |
| 20 | 007859 | ROLLER - Ductor, Stainless Steel, PRO | 1 |
| 21 | 073542 | SPRING - Tension, 3/8 O.D. x 1-5/16 O.A.L. | 2 |
| 22 | 073540 | SPRING - Compression, 13/32 O.D. x 1-1/2 O.A.L. | 2 |
| 23 | 080541 | CARRIER ASSEMBLY - L.H., Ductor Roller, N.O.S. | 1 |
| 24 | 080539 | CARRIER ASSEMBLY - R.H., Ductor Roller, O.S. | 1 |
| 25 | 001416 | BUSHING - .502 I.D. x .625 O.D. x .750 O.A.L. | 2 |
| 26 | 007684 | TIE BAR - Carrier Assembly | 1 |
| 27 | 017707 | SHAFT ASSEMBLY - Aquamatic Control | 1 |
| 27 | 018544 | SHAFT ASSEMBLY - Aquamatic Control (9840 B) | 1 |
| 28 | 017708 | LEVER ASSEMBLY - Aquamatic Control | 1 |
| 28 | 018534 | LEVER ASSEMBLY - Aquamatic Control (9840 B) | 1 |
| 29 | 072052 | SPRING - Lock | 1 |
| 30 | 011371 | KNOB - Control Lever | 1 |
| 30 | 017593 | KNOB - Control Lever (9840 B) | 1 |
| 31 | 001978 | ROLL PIN - .135 O.D. x .765 O.A.L. | 1 |
| 32 | *007958 | CAM ASSEMBLY - Aquamatic Control | 2 |
| 33 | *007656 | SHAFT - Aquamatic Control | 1 |
| 34 | 195396 | PIN - Taper, .110 O.D. x .625 O.A.L. | 2 |
| 35 | 111089 | SCREW | 2 |

*Not Procurable Separately

***Not Available As An Assembly

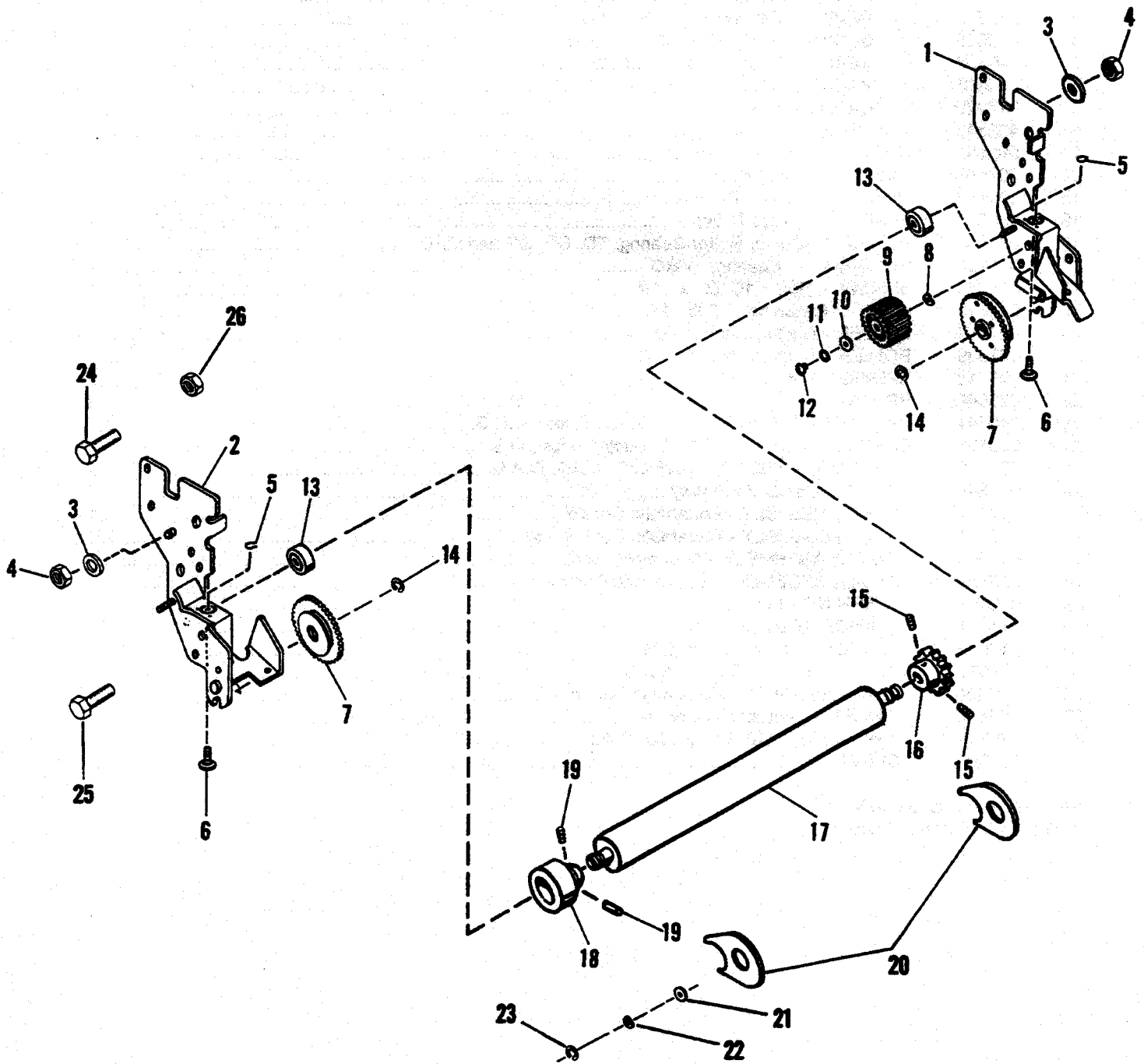


FIGURE 8
MODEL 9815/9850 Aquamatic - Part II

Parts Catalog

| Index No. | Part No. | MODEL 9805/9850 Figure 8 Description | Units Per Assy. |
|-----------|----------|---|-----------------|
| 1 | 007966 | FRAME - N.O.S. | 1 |
| 2 | 007964 | FRAME - O.S. | 1 |
| 3 | 016572 | WASHER - .255 I.D. | 1 |
| 4 | 003578 | NUT - 1/4-20 | 2 |
| 5 | 001099 | RING - Retaining, .283 I.D. | 2 |
| 6 | 080524 | SCREW - Shoulder | 2 |
| 7 | 012422 | DUCTOR GEAR ASSEMBLY | 2 |
| 8 | 001772 | WASHER - Spring, .382 I.D. | 1 |
| 9 | 082050 | GEAR | 1 |
| 10 | 001750 | WASHER - .328 I.D. | 1 |
| 11 | 004074 | WASHER - 9/16 I.D. | 1 |
| 12 | 064189 | SCREW - LOCK | 1 |
| 13 | 080505 | BEARING | 2 |
| 14 | 001080 | RING - Retaining, .302 I.D. | 2 |
| 15 | 014390 | SCREW - Set, 1/4-28 x 1/4 | 2 |
| 16 | 080599 | GEAR | 1 |
| 17 | 007657 | ROLLER - Copper (TD, CD, QP and QPC) | 1 |
| 17 | 007856 | ROLLER - Rubber (PRO) | 1 |
| 18 | 080591 | HOUSING - Bearing | 1 |
| 19 | 014372 | SCREW - Set, 10-32 x 1/4 | 2 |
| 20 | 080979 | SHIELD - Aquamatic, (PRO) | 2 |
| 21 | 195086 | WASHER - Stainless Steel, .513 I.D. x 1.000 O.D. (PRO) | 2 |
| 22 | 195087 | WASHER - Stainless Steel Spring, .520 I.D. (PRO) | 2 |
| 23 | 101870 | RING - Retaining, Stainless Steel .456 I.D. (PRO) | 2 |
| 24 | 111073 | SCREW - 1/4-28 x 5/8 | 2 |
| 25 | 111074 | SCREW - 1/4-28 x 3/4 | 2 |
| 26 | 150085 | NUT - 1/4-28 | 2 |

Parts Catalog

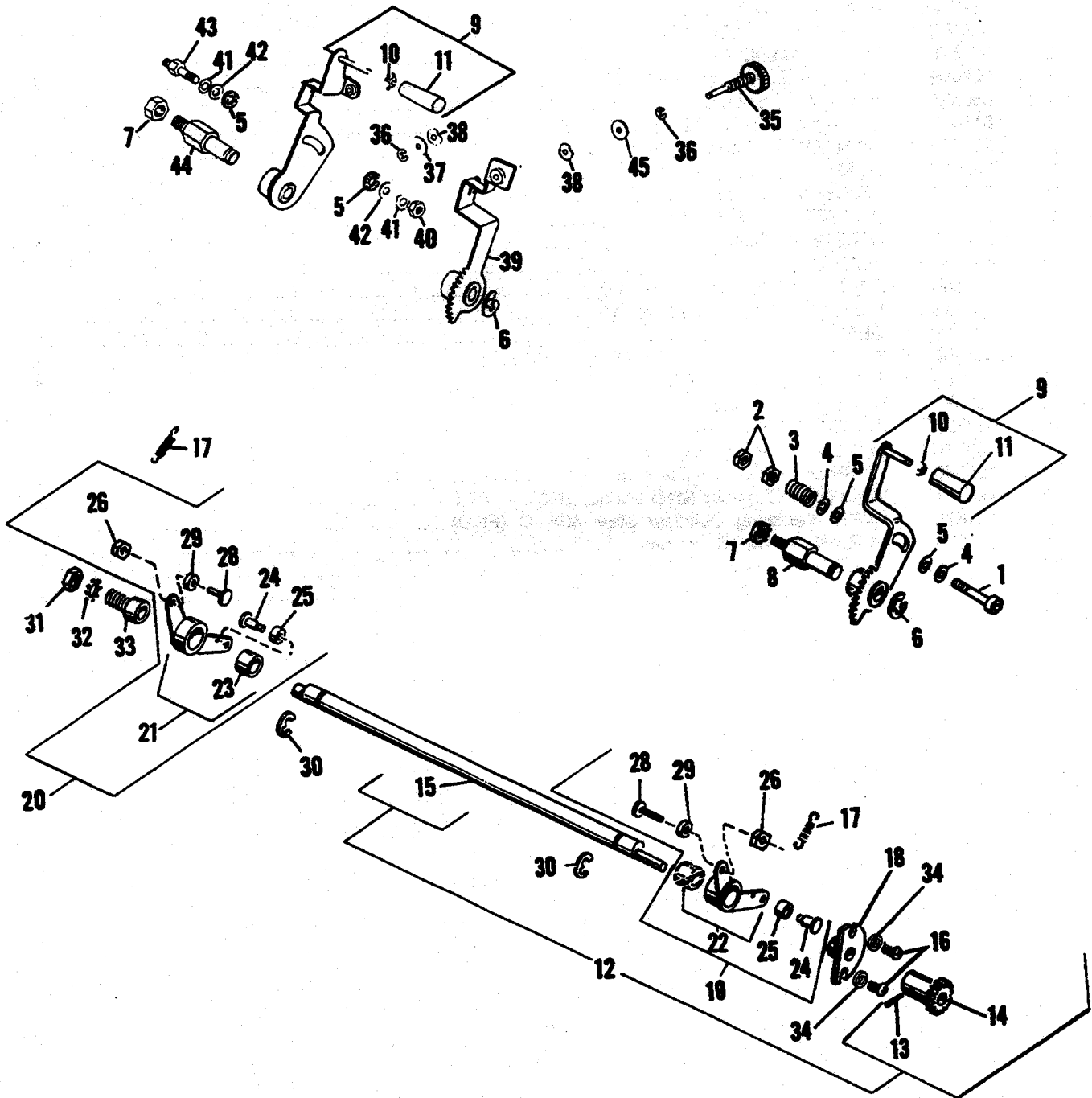


FIGURE 9
MODEL 9815/9850 Aquamatic Control Lever Assembly

Parts Catalog

| Index No. | Part No. | MODEL 9805/9850 Figure 9 Description | Units Per Assy. |
|-----------|----------|---|-----------------|
| 1 | 014304 | SCREW - 1/4-28 x 1-1/2 | 1 |
| 2 | 001832 | NUT- 1/4-28 | 2 |
| 3 | 072953 | SPRING - Compression, 5/16 I.D x 5/8 O.A.L. | 1 |
| 4 | 021150 | WASHER - .256 I.D. | 2 |
| 5 | 014793 | WASHER - Friction, 17/64 I.D. | 2 |
| 6 | 001080 | RING - Retaining. .302 I.D. | 1 |
| 7 | 150085 | NUT - 1/4-28 | 1 |
| 8 | 080537 | STUD - Aquamatic Control Lever | 1 |
| 9 | 016275 | LEVER ASSEMBLY - Micro Adjust | 1 |
| 9 | 017548 | LEVER ASSEMBLY | 1 |
| 9 | 018592 | LEVER ASSEMBLY - Micro Adjust (9840 B) | 1 |
| 9 | 018543 | LEVER ASSEMBLY (9840 B) | 1 |
| 10 | 072052 | LOCK- Spring | 1 |
| 11 | 011371 | HANDLE - Brown | 1 |
| 11 | 017593 | HANDLE - (9840 B) | 1 |
| 12 | 007662 | ECCENTRIC SHAFT AND PINION ASSEMBLY | 1 |
| 13 | 000006 | PIN - Taper. .582 O.A.L. | 1 |
| 14 | *073246 | GEAR - Eccentric Shaft | 1 |
| 15 | *007663 | SHAFT - Eccentric | 1 |
| 16 | 111068 | SCREW - 1/4-28 x 5/16 | 2 |
| 17 | 040782 | SPRING - Tension, .318 O.D. x 1-7/32 O.A.L. | 2 |
| 18 | 073252 | BUSHING - Eccentric Shaft | 1 |
| 19 | 073248 | LEVER ASSEMBLY - O.S. | 1 |
| 20 | 073250 | LEVER ASSEMBLY - N.O.S. | 1 |
| 21 | 071567 | LEVER - N.O.S. | 1 |
| 22 | 071566 | LEVER - O.S. | 1 |
| 23 | 014605 | BUSHING - .566 I.D. x .691 O.D. x .750 O.A.L. | 1 |
| 24 | 057507 | RIVET | 1 |
| 25 | 070125 | TRUCK | 1 |
| 26 | 014248 | NUT - LOCK, 10-32 | 1 |
| 28 | 190118 | STUD - Eccentric | 1 |
| 29 | 190103 | TRUCK | 1 |
| 30 | 001094 | RING - Retaining, .394 I.D. | 2 |
| 31 | 014805 | NUT - 7/16-20 | 1 |
| 32 | 043097 | WASHER - .440 I.D. | 1 |
| 33 | 193606 | STUD | 1 |
| 34 | 021203 | WASHER - .255 I.D. x .500 O.D. | 2 |
| 35 | 196666 | SCREW - Adjusting | 1 |
| 36 | 014504 | RING - Retaining, .146 I.D. x .027 | 2 |
| 37 | 196664 | WASHER - Spherical | 1 |
| 38 | 001742 | WASHER - Spring, 13/16 I.D. x .500 O.D. | 2 |
| 39 | 016271 | LEVER ASSEMBLY - Gear | 1 |
| 40 | 001818 | NUT - Lock, 1/4-28 | 1 |
| 41 | 193549 | WASHER - Spring, .266 I.D. x .557 O.D. | 2 |
| 42 | 191384 | WASHER - .260 I.D. x .750 O.D. | 2 |
| 43 | 196662 | STUD | 1 |
| 44 | 196663 | STUD | 1 |
| 45 | 006776 | WASHER - Plain, 3/16 I.D. x 3/8 O.D. x 3/64 | 1 |

*Not Procurable Separately

Parts Catalog

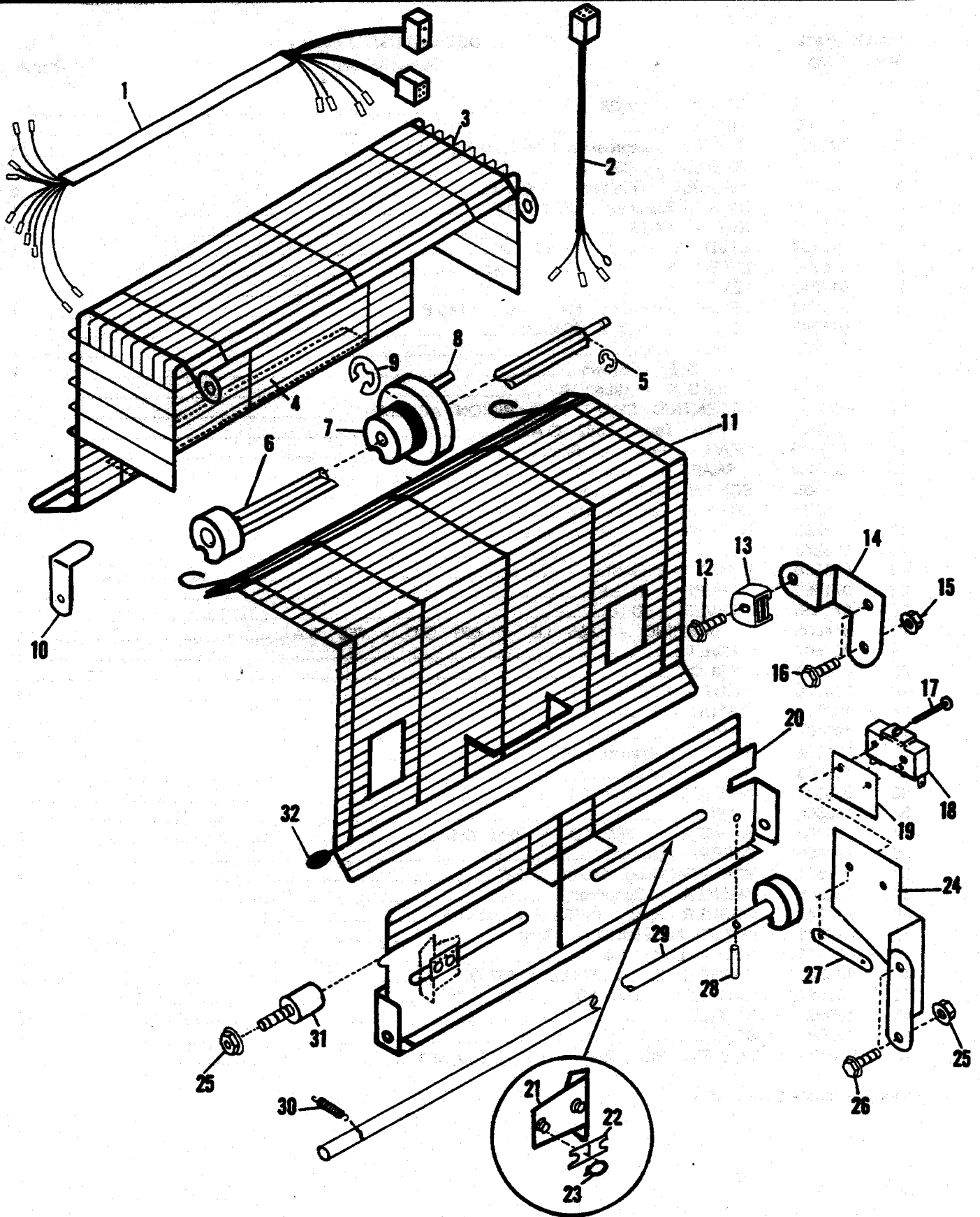


FIGURE 9A
MODEL 9815/9850 Damper Guides

Parts Catalog

| Index No. | Part No. | MODEL 9805/9850 Figure 9A Description | Units Per Assy. |
|-----------|----------|---|-----------------|
| 1 | 016868 | HARNES ASSEMBLY - Dampener | 1 |
| 2 | 016698 | CABLE ASSEMBLY- 74" AC. Control Box to Dampener | 1 |
| 2 | 016169 | CABLE ASSEMBLY- 35" AC. Control Box (9860) | 1 |
| 2 | 016191 | CABLE ASSEMBLY - 40" Dampener Interface (9860) | 1 |
| 3 | 016716 | INK GUARD ASSEMBLY | 1 |
| 4 | 076897 | DECAL | 1 |
| 5 | 001060 | RING - Retaining, .208 I.D. | 1 |
| 6 | 016806 | SHAFT ASSEMBLY - Guard | 1 |
| 7 | 016808 | CAM SLEEVE ASSEMBLY | 1 |
| 8 | 100582 | PIN - Roll, .131 O.D. x .327 O.A.L. | 1 |
| 9 | 001073 | RING - Retaining, .577 I.D. | 1 |
| 10 | 016197 | SUPPORT - Guard | 2 |
| 11 | 016718 | GUARD ASSEMBLY - Dampener | 1 |
| 12 | 111057 | SCREW - 10-32 x 3/4 | 1 |
| 13 | 076835 | CATCH - Magnetic | 1 |
| 14 | 016858 | BRACKET - Magnet | 1 |
| 15 | 150083 | NUT - 10-32 | 1 |
| 16 | 111054 | SCREW - 10-32 x 1/2 | 1 |
| 17 | 100961 | SCREW - 6-32 x 7/8 | 2 |
| 18 | 253211 | SWITCH - 20A 125/250 VAC. | 1 |
| 19 | 010342 | INSULATOR | 1 |
| 20 | 016723 | GUARD - Master Cylinder | 1 |
| 20 | 016720 | GUARD - Master Cylinder (Color Head) | 1 |
| 21 | 007988 | GUIDE | 2 |
| 22 | 027291 | SPRING - Strip | 2 |
| 22 | 016722 | CLAMP - Retaining, (Color Head) (Not Illustrated) | 2 |
| 23 | 014463 | RING - Retaining, .183 I.D. | 4 |
| 23 | 001812 | NUT- 10-32 (Color Head) (Not Illustrated) | 2 |
| 24 | 010428 | BRACKET | 1 |
| 25 | 150085 | NUT - 1/4-28 | 3 |
| 26 | 111071 | SCREW - 1/4-28 x 1/2 | 2 |
| 27 | 190731 | NUT PLATE | 1 |
| 28 | 001984 | PIN - Roll, .103 O.D. x .640 O.A.L. | 1 |
| 29 | 016859 | SHAFT ASSEMBLY - Master Cylinder Guard | 1 |
| 30 | 065402 | SPRING - Tension, 3/8 O.D. x 1 19/32 O.A.L. | 1 |
| 31 | 196327 | SCREW - Stop | 1 |
| 32 | 101944 | BUMPER - Rubber | 1 |

Parts Catalog

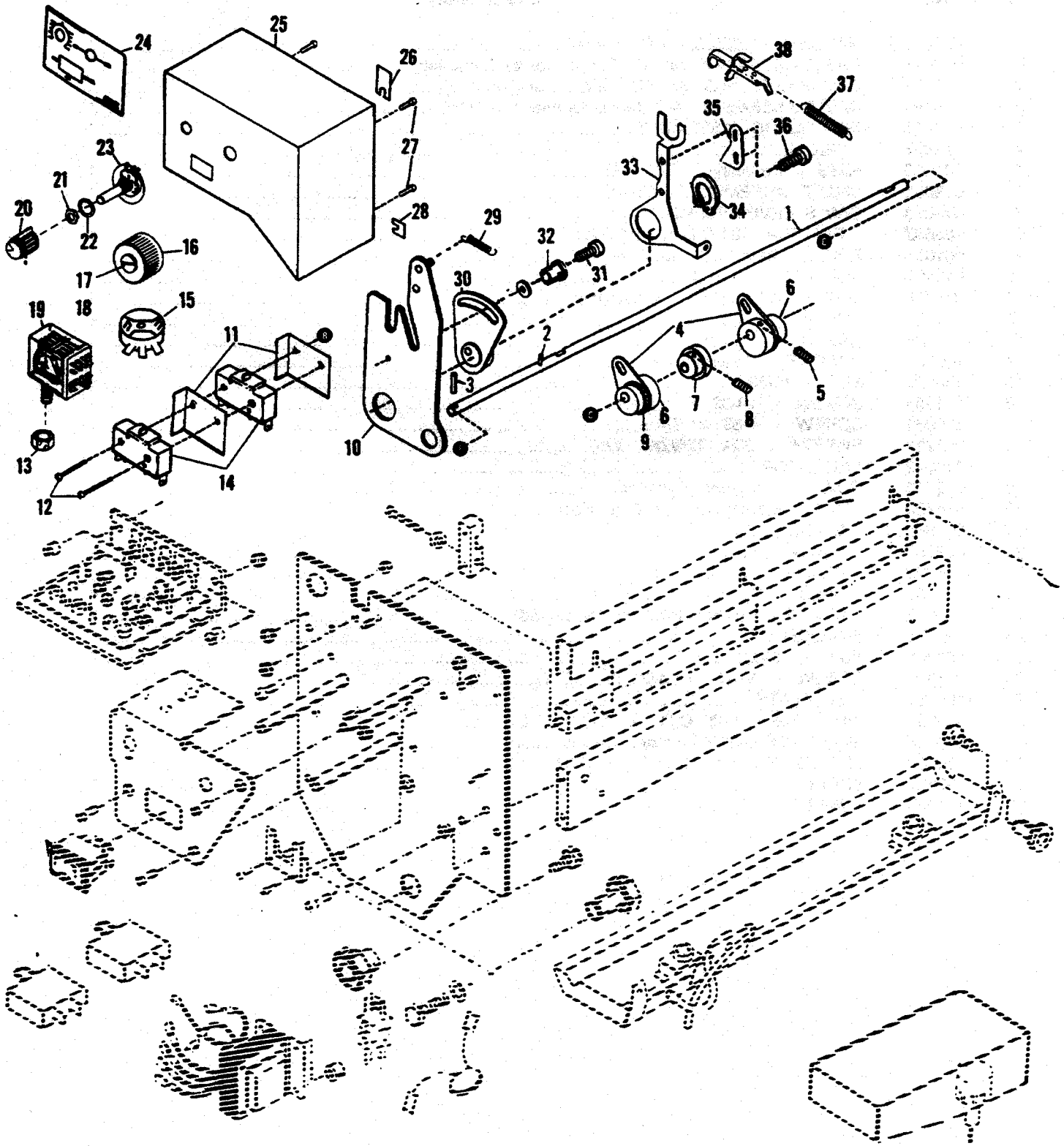


FIGURE 9B
MODEL 9815/9850 Dampener - Part I

Parts Catalog

| Index No. | Part No. | MODEL 9805/9850 Figure 98 Description | Units Per Assy. |
|-----------|----------|--|-----------------|
| 1 | 016771 | SHAFT ASSEMBLY | 1 |
| 2 | 001978 | PIN - ROLL, .135 O.D. x .765 O.A.L. | 1 |
| 3 | 001980 | PIN - ROLL, .135 O.D. x .640 O.A.L. | 1 |
| 4 | 083556 | LEVER | 2 |
| 5 | 100167 | SCREW - Set, 1/4-28 x 5/8 | 2 |
| 6 | 083557 | ECCENTRIC | 2 |
| 7 | 016683 | BUSHING - Eccentric | 2 |
| 8 | 014108 | SCREW - Set, 10-32 x 3/8 | 2 |
| 9 | 083555 | RING - Self Locking | 1 |
| 10 | 083566 | ARM ASSEMBLY - O.S. | 1 |
| 11 | 010342 | INSULATOR | 2 |
| 12 | 101983 | SCREW - 6-32 x 1-5/8 | 2 |
| 13 | 014812 | NUT - 6-32 | 2 |
| 14 | 253211 | SWITCH | 2 |
| 15 | 083610 | POTENTIOMETER | 1 |
| 16 | 017735 | KNOB | 1 |
| 17 | 196246 | SCREW - Knob | 1 |
| 18 | 039642 | RING - Plastic | 1 |
| 19 | 253468 | RELAY | 1 |
| 20 | 193823 | KNOB | 1 |
| 21 | 100144 | NUT - 8-32 | 1 |
| 22 | 100835 | WASHER - Lock, .383 I.D. x .562 O.D. | 1 |
| 23 | 083609 | POTENTIOMETER | 1 |
| 24 | 016824 | NAME PLATE | 1 |
| 25 | 083506 | COVER ASSEMBLY - O.S. | 1 |
| 26 | 016199 | STOP - Guard Long | 2 |
| 27 | 014311 | SCREW - 8-15 x 5/8 | 3 |
| 28 | 016198 | STOP - Guard Short | 1 |
| 29 | 006987 | SPRING- 19/64 O.D. x 1-15/32 O.A.L. | 1 |
| 30 | 083483 | HUB ASSEMBLY - O.S. | 1 |
| 31 | 014175 | SCREW - 10-32 x 7/8 | 1 |
| 32 | 196309 | SPACER | 2 |
| 33 | 016677 | LEVER ASSEMBLY - Lockout, O.S. | 1 |
| 33 | 016680 | LEVER ASSEMBLY - Lockout, N.O.S. (Not Illustrated) | 1 |
| 34 | 001087 | RING - Retaining, 1.108 I. D. x .052 | 2 |
| 35 | 016682 | STOP - Adjustable | 2 |
| 36 | 111033 | SCREW - 8-32 x 5/16 | 4 |
| 37 | 065402 | SPRING - Tension, 11/32 O.D. x 1-17/32 O.A.L. | 2 |
| 38 | 016687 | HOOK ASSEMBLY - Latching | 2 |

Parts Catalog

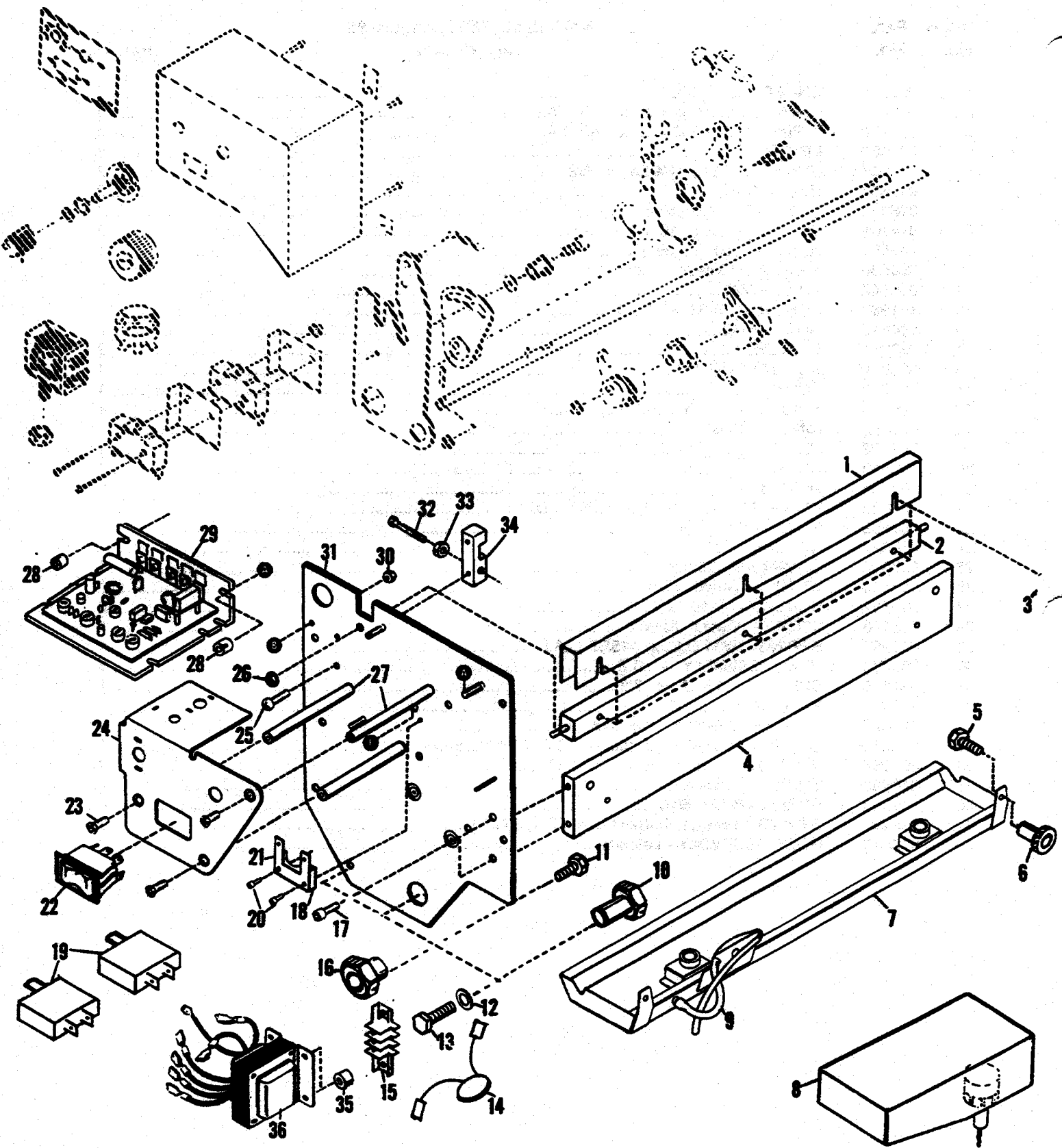


FIGURE 9C
MODEL 9815/9850 Dampener - Part II

Parts Catalog

| Index No. | Part No. | MODEL 9805/9850 Figure 9C Description | Units Per Assy. |
|-----------|----------|--|-----------------|
| 1 | 016773 | CHANNEL - Wire | 1 |
| 2 | 016774 | TIE BAR | 1 |
| 3 | 001220 | SCREW - 10-32 x 3/8 | 3 |
| 4 | 016813 | BAR - Spacing | 1 |
| 5 | 001267 | SCREW - 10-32 x 3/4 | 2 |
| 6 | 012379 | NUT - Knurled | 2 |
| 7 | 016851 | FOUNTAIN ASSEMBLY - Aquamatic | 1 |
| 8 | 012141 | BOTTLE | 1 |
| 9 | 191586 | HOSE - Drain | 1 |
| 10 | 083563 | ADAPTER - Mounting | 2 |
| 11 | 111073 | SCREW - 1/4-28 x 5/8 | 2 |
| 12 | 003586 | WASHER - .383 I.D. x 3/4 O.D. | 2 |
| 13 | 111087 | SCREW - 5/16-24 x 1/2 | 2 |
| 14 | 016697 | VARISITOR ASSEMBLY | 1 |
| 15 | 253541 | TERMINAL BLOCK | 1 |
| 16 | 083562 | ADAPTER - Mounting | 1 |
| 17 | 001555 | SCREW - 10-32 x 1/2 | 4 |
| 18 | 083559 | PLATE - Stop | 1 |
| 19 | 253713 | CIRCUIT BREAKER - 2.0A | 2 |
| 20 | 001683 | SCREW - 6-32 x 5/16 | 2 |
| 21 | 083558 | SPRING | 1 |
| 22 | 253511 | SWITCH - Rocker | 1 |
| 23 | 014187 | SCREW - 8-32 x 5/8 | 3 |
| 24 | 083578 | BRACKET | 1 |
| 25 | 001555 | SCREW - 10-32 x 1/2 | 1 |
| 26 | 150085 | NUT - 1/4-28 | 2 |
| 27 | 083579 | STAND-OFF | 2 |
| 28 | 083572 | NUT - Special | 2 |
| 29 | 083706 | P.C. BOARD - DC Motor Control | 1 |
| 30 | 014182 | NUT- 6-32 | 2 |
| 31 | 083564 | FRAME ASSEMBLY - O.S. | 1 |
| 32 | 014180 | SCREW- 1/4-28 x 1.000 | 1 |
| 33 | 001817 | NUT- 1/4-28 | 1 |
| 34 | 083561 | BLOCK - Mounting | 1 |

For Other Than 115V. 60HZ. or 115V. 50/60 HZ. Dual Usage

| | | | |
|----|--------|---|---|
| 19 | 253618 | CIRCUIT BREAKER - 1.2A | 2 |
| 35 | 192073 | SPACER - 230V | 2 |
| 36 | 083611 | TRANSFORMER ASSEMBLY - 220, 230, 240V - 50/60HZ | 1 |

Parts Catalog

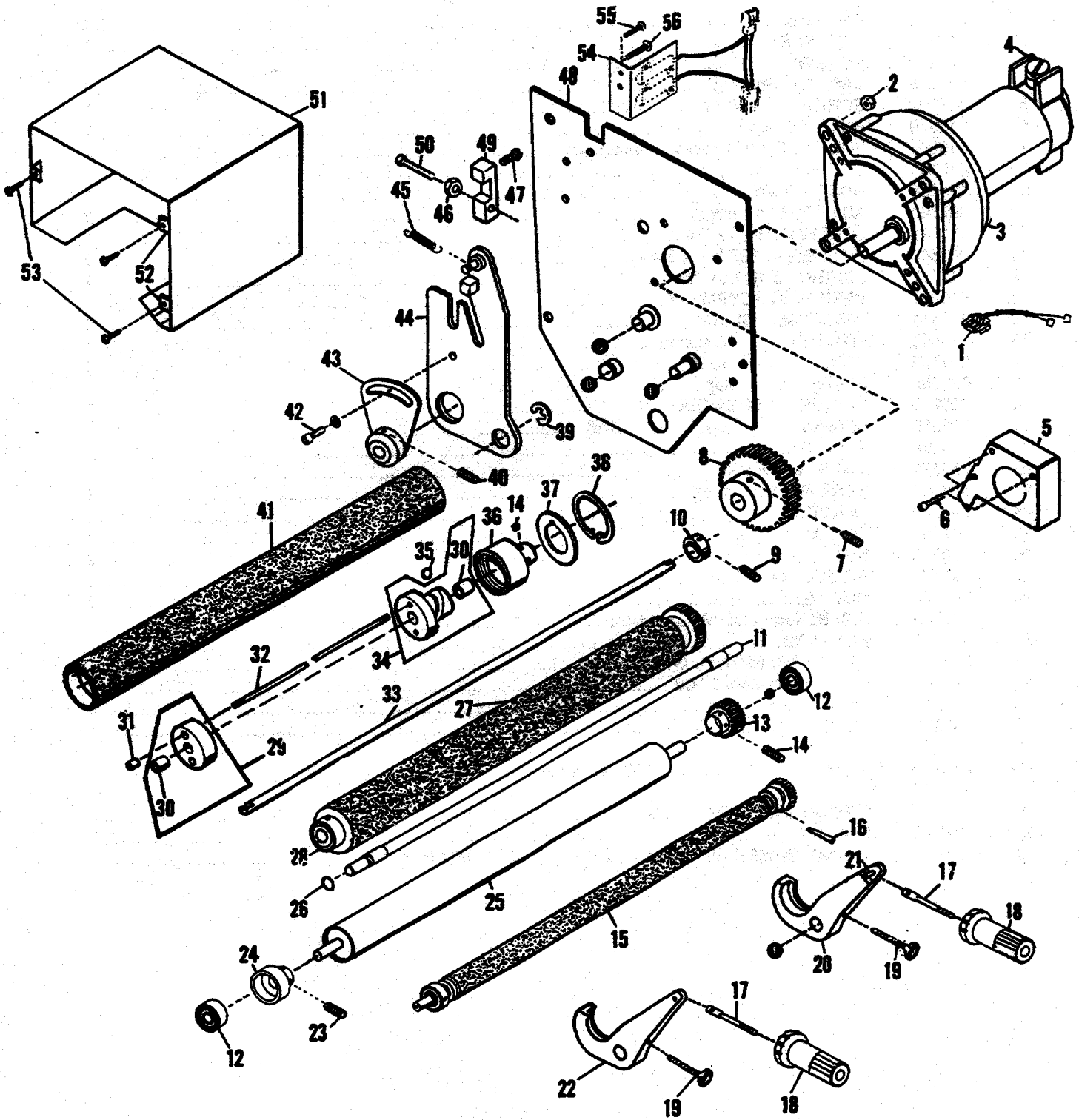


FIGURE 9D
MODEL 9815/9850 Damper Rollers

Parts Catalog

| Index No. | Part No. | MODEL 9805/9850 Figure 9D Description | Units Per Assy. |
|-----------|----------|--|-----------------|
| 1 | 083597 | HARNES - Dampener Motor | 1 |
| 2 | 014808 | NUT - 10-32 | 3 |
| 3 | 083521 | MOTOR - DC | 1 |
| 4 | 083786 | BRUSH | 2 |
| 5 | 083463 | COVER - Safety | 1 |
| 6 | 065833 | SCREW - Cap, 10-32 x 7/8 | 3 |
| 7 | 001523 | SCREW - 5/16-18 x 3/8 | 2 |
| 8 | 083519 | GEAR - Motor | 1 |
| 9 | 001207 | SCREW - Set, 8-32 x 3/16 | 2 |
| 10 | 196310 | COLLAR | 2 |
| 11 | 016823 | SHAFT - Form Roller | 1 |
| 12 | 080505 | BEARING | 6 |
| 13 | 016795 | GEAR - Metering Roller | 1 |
| 14 | 014390 | SCREW - Set, 1/4-28 x 1/4 | 2 |
| 15 | 016791 | FOUNTAIN ROLLER ASSEMBLY - Rubber | 1 |
| 16 | 001978 | PIN - Roll, .135 O.D. x .765 O.A.L. | 1 |
| 17 | 016788 | SCREW - Metering | 2 |
| 18 | 083489 | KNOB - Metering | 2 |
| 19 | 080173 | SCREW - Thumb | 2 |
| 20 | 016819 | LEVER ASSEMBLY - Control, N.O.S. | 1 |
| 21 | 001990 | PIN - Roll, .135 O.D. x .515 O.A.L. | 1 |
| 22 | 016818 | LEVER ASSEMBLY- Control, O.S. | 1 |
| 23 | 014372 | SCREW - Set, 10-32 x 1/4 | 2 |
| 24 | 080591 | HOUSING - Bearing | 1 |
| 25 | 016816 | ROLLER - Metering, Stainless Steel | 1 |
| 26 | 014513 | RING - Retaining, .584 I.D. x .037 | 1 |
| 27 | 016822 | FORM ROLLER ASSEMBLY - Rubber | 1 |
| 28 | 080312 | BEARING - 1.375 O.D. x .626 I.D. | 2 |
| 29 | 080694 | PLUG ASSEMBLY - Oscillating Roller | 1 |
| 30 | 001497 | BUSHING | 1 |
| 31 | 196475 | NUT - Special | 2 |
| 32 | 007580 | ROD - Tie | 2 |
| 33 | 016812 | SHAFT - Oscillating Roller | 1 |
| 34 | 080695 | PLUG AND CAM ASSEMBLY | 1 |
| 35 | 080699 | BALL | 1 |
| 36 | 080263 | CAP | 1 |
| 37 | 080698 | GUARD | 1 |
| 38 | 014523 | RING - Retaining, 2.346 I.D. x 2.600 O.D. x .081 | 1 |
| 39 | 001094 | RING - Retaining, .394 I.D. x .044 | 1 |
| 40 | 014108 | SCREW - Set, 10-32 x 3/8 | 1 |
| 41 | 016810 | ROLLER - Oscillating, Rubber | 1 |
| 42 | 111052 | SCREW - 10-32 x 3/8 | 1 |
| 43 | 083481 | HUB ASSEMBLY - N.O.S. | 1 |
| 44 | 083567 | ARM ASSEMBLY - N.O.S. | 1 |
| 45 | 078975 | SPRING - 1-1/8 O.A.L. x 7/32 I.D. | 1 |
| 46 | 001817 | NUT- 1/4-28 | 1 |
| 47 | 001299 | SCREW - 6-32 x 7/16 | 1 |
| 48 | 083565 | FRAME ASSEMBLY - N.O.S. | 1 |
| 49 | 083561 | BLOCK - Mounting | 1 |
| 50 | 014180 | SCREW - 1/4-28 x 1.000 | 1 |
| 51 | 083498 | COVER - Motor | 1 |
| 52 | 001884 | NUT - Speed | 3 |
| 53 | 014311 | SCREW - 8-15 x 5/8 | 3 |
| 54 | 083707 | RESISTOR ASSEMBLY | 1 |
| 55 | 100962 | SCREW - 6-32 x 1/2 | 1 |
| 56 | 100450 | SCREW - 10-32 x 9/16 | 1 |

Parts Catalog

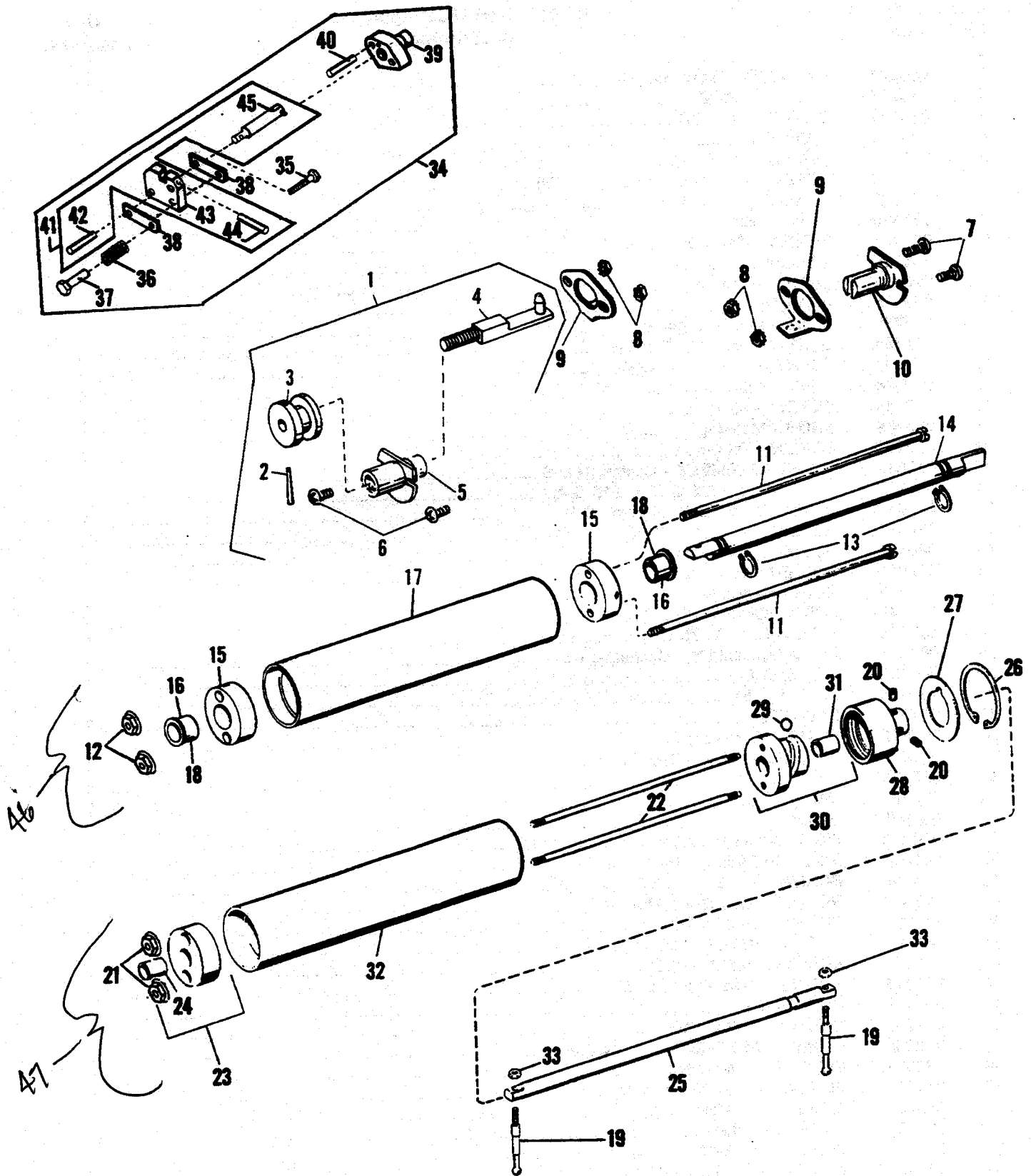


FIGURE 10
MODEL 9815/9850 Waver, Oscillating Roller and Guide Assemblies

Parts Catalog

| Index No. | Part No. | MODEL 9805/9850 Figure 10 Description | Units Per Assy. |
|-----------|-------------------|---|-----------------|
| 1 | 073011 | COUPLE ASSEMBLY, Standard | 1 |
| 2 | 000014 | PIN - Taper, .147 O.D. x 1.125 O.A.L. | 1 |
| 3 | *073014 | COUPLING, Standard | 1 |
| 4 | *073012 | SHAFT | 1 |
| 5 | 084413 | GUIDE - Coupling | 1 |
| 6 | 111074 | SCREW - 1/4-28 x 3/4 | 2 |
| 7 | 111073 | SCREW - 1/4-28 x 5/8 | 2 |
| 8 | 150085 | NUT - 1/4-28 | 4 |
| 9 | 080295 | BRACKET | 2 |
| 10 | 084412 | GUIDE - Slotted, Standard | 1 |
| 10 | 083550 | GUIDE - Slotted, Dampener | 1 |
| 11 | 194800 | SCREW - 1/4-28 x 12-1/2 (TD, CD, QP and QPC) | 2 |
| 12 | 196475 | NUT - Special, 1/4-28 (TD, CD, QP and QPC) | 2 |
| 13 | 001094 | RING - Retaining, .463 I.D. | 2 |
| 14 | 007569 | SHAFT - Standard (TD, CD, QP and QPC) | 1 |
| 14 | 007852 | SHAFT - Standard (PRO) | 1 |
| 14 | 016864 | SHAFT - Dampener | 1 |
| 15 | 076194 | CAP - Waver Roller (TD, CD, QP and QPC) | 2 |
| 16 | 190387 | BUSHING - .504 I.D. x .629 O.D. x .817 O.A.L. | 1 |
| 17 | 007570 | ROLLER - Waver, Nylon, Dampener (TD, CD, QP and QPC) | 1 |
| 17 | 007570 | ROLLER - Transfer, Rubber (PRO) 403105 | 1 |
| 18 | 195401 | BUSHING - .504 I.D. x .627 O.D. x .755 O.A.L. | 2 |
| 19 | 073193 | PIN - Special, (TD, CD, QP and QPC) 2-9/16" O.A.L. | 2 |
| 19 | 195684 | PIN - Special, (PRO & QPC) 2-5/16" O.A.L. | 2 |
| 20 | 014390 | SCREW - Set, 1/4-28 x 1/4 | 2 |
| 21 | 196475 | NUT - Special, 1/4-28 | 2 |
| 22 | 007580 | TIE ROD | 2 |
| 23 | 080694 | PLUG - Oscillating Roller | 1 |
| 24 | 001497 | BUSHING - .504 I.D. x .629 O.D. x .625 O.A.L. | 1 |
| 25 | 007581 | SHAFT - Oscillating Roller | 1 |
| 26 | 014523 | RING - Retaining, 2.600 O.D. | 1 |
| 27 | 080698 | GUARD - Splash | 1 |
| 28 | 080263 | CAP - Oscillating Roller | 1 |
| 29 | 080699 | BALL - Cam Assembly | 1 |
| 30 | 080695 | PLUG AND CAM ASSEMBLY | 1 |
| 31 | 001427 | BUSHING - .503 I.D. x .628 O.D. x .880 O.A.L. | 1 |
| 32 | 007577 | ROLLER - Oscillating Rider, Nylon | 1 |
| 33 | 001804 | NUT - 10-32 | 2 |
| 34 | 083549 | COUPLING ASSEMBLY - Dampener | 1 |
| 35 | 080617 | SCREW - Shoulder | 1 |
| 36 | 080619 | SPRING - Compression, .504 O.D. x 1 1/4 O.A.L. x .075 | 1 |
| 37 | 080616 | NUT - Special | 1 |
| 38 | 080614 | PLATE - Clamping | 2 |
| 39 | 080293 | GUIDE - Coupling Assembly | 1 |
| 40 | 014905 | PIN - Roll, .198 x 1/2 | 1 |
| 41 | 083548 | COUPLING SHAFT AND BLOCK ASSEMBLY | 1 |
| 42 | 001987 | PIN - Roll, .167 x .890 | 1 |
| 43 | 080615 | BLOCK - Coupling | 1 |
| 44 | 014579 | PIN - Drive-Lok | 1 |
| 45 | 083547 | SHAFT ASSEMBLY - Coupling, Drilling Necessary | 1 |

46 007568 ROLLER ASSY.
*Not Procurable Separately

47 007576 ROLLER ASSY.

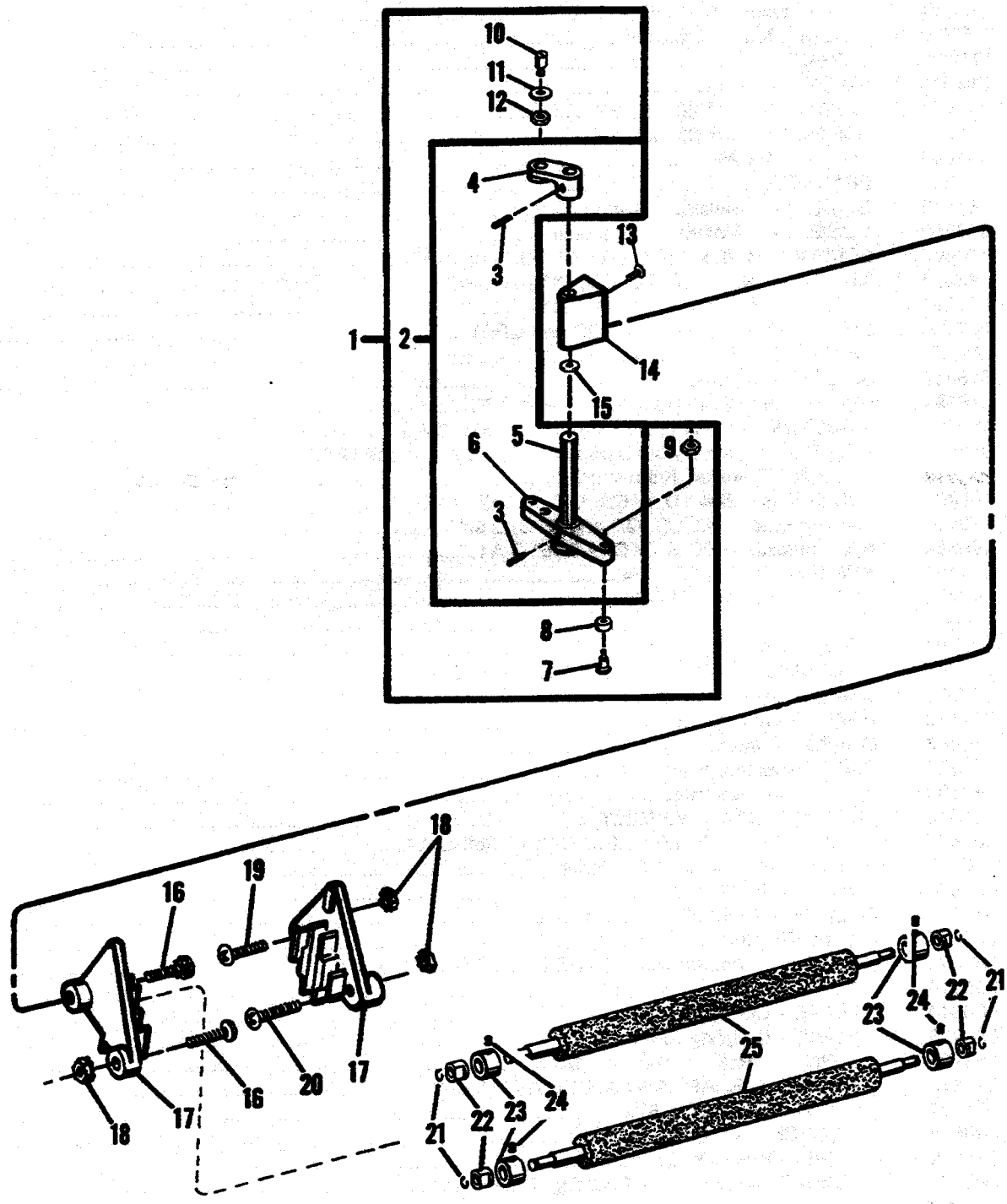


FIGURE 11
MODEL 9815/9850 Rider Rollers

Parts Catalog

| Index No. | Part No. | MODEL 9805/9850 Figure 11 Description | Units Per Assy. |
|-----------|-------------------|--|-----------------|
| 1 | 087496 | LEVER AND SHAFT ASSEMBLY - Standard | 1 |
| 1 | 080300 | LEVER AND SHAFT ASSEMBLY - Dampener | 1 |
| 2 | 087497 | SHAFT ASSEMBLY - Standard | 2 |
| 2 | 081151 | SHAFT ASSEMBLY - Dampener | 1 |
| 3 | 192900 | PIN - Taper, .750 O.A.L. | 2 |
| 4 | *073116 | LEVER - Standard | 1 |
| 4 | *080689 | LEVER - Dampener | 1 |
| 5 | *080317 | SHAFT | 1 |
| 6 | *080297 | LEVER | 1 |
| 7 | 080298 | SCREW - Shoulder, 10-32 | 2 |
| 8 | 080299 | TRUCK | 2 |
| 9 | 101051 | NUT - 10-32 | 2 |
| 10 | 073339 | SCREW - Eccentric, 10-32, Standard | 1 |
| 10 | 080688 | SCREW - Eccentric, Dampener | 1 |
| 11 | 001702 | WASHER - .195 I.D. x .500 O.D., Standard | 1 |
| 11 | 001710 | WASHER - Lock, .319 I.D. x .575 O.D., Dampener | 1 |
| 12 | 001812 | NUT - 10-32, Standard | 1 |
| 12 | 001834 | NUT - 5/16-24, Dampener | 1 |
| 13 | 111073 | SCREW - 1/4-28 x 5/8 | 3 |
| 14 | 073108 | BRACKET - Waver Operation | 1 |
| 15 | 192766 | WASHER - .385 I.D. x .750 O.D. | 2 |
| 16 | 111076 | SCREW - 1/4-28 x 1.000 | 2 |
| 17 | 073234 | BRACKET - Oscillating Rider Roller | 2 |
| 18 | 150085 | NUT - 1/4-28 | 3 |
| 19 | 111077 | SCREW - 1/4-28 x 1.125 | 1 |
| 20 | 111079 | SCREW - 1/4-28 x 1.500 | 1 |
| 21 | 001778 | RING - Retaining, .214 I.D. | 8 |
| 22 | 073004 | BUSHING - .253 I.D. x .500 O.D. x .140 O.A.L. | 8 |
| 23 | 073152 | COLLAR - Rider Roller | 8 |
| 24 | 001207 | SCREW - Set, 8-32 x 3/16 | 8 |
| 25 | 001207 | ROLLER - Rider 403103 | 4 |

*Not Procurable Separately

Parts Catalog

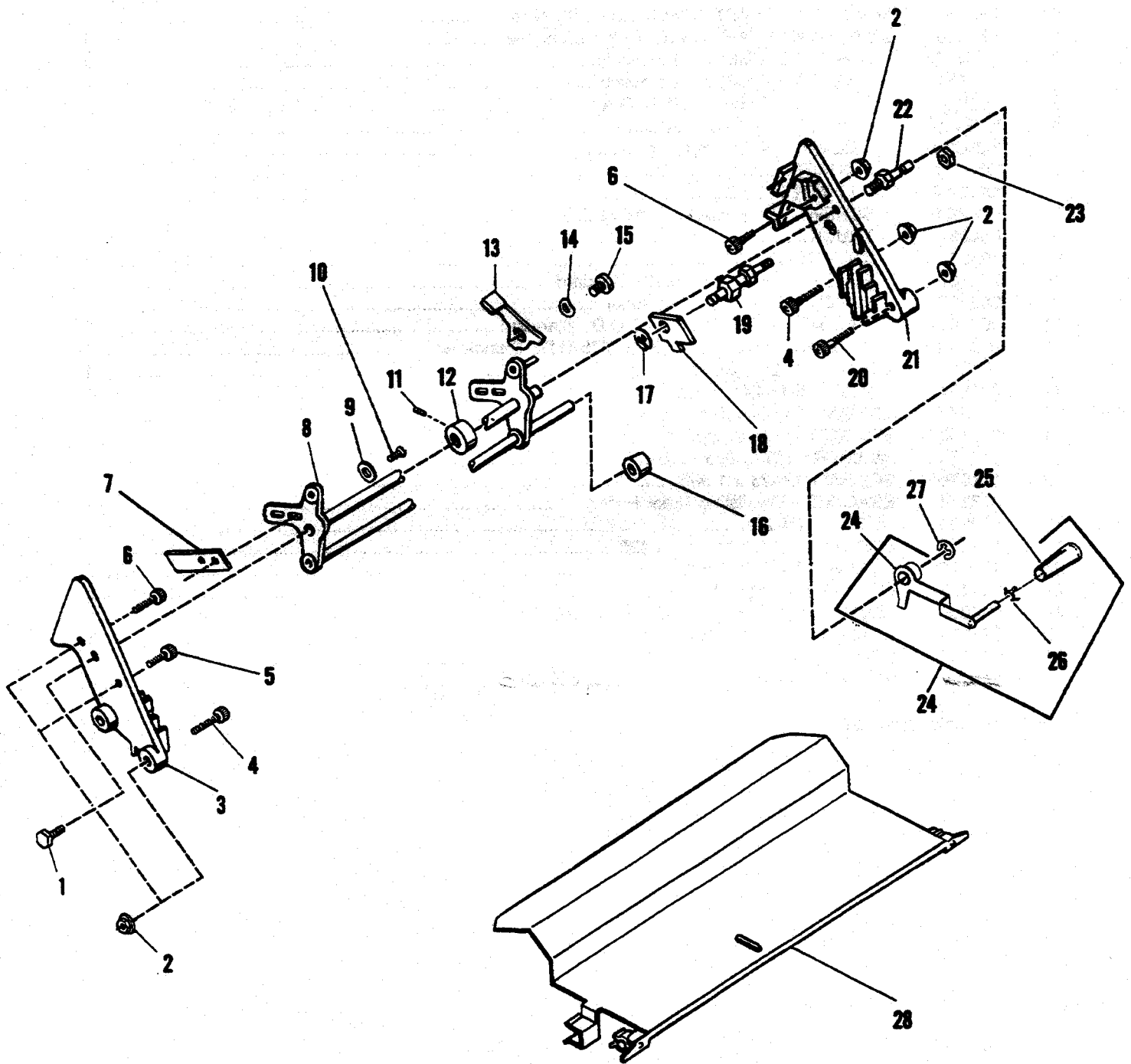


FIGURE 12
MODEL 9815/9850 Ink Bridge and Drip Tray

Parts Catalog

| Index No. | Part No. | MODEL 9805/9850 Figure 12 Description | Units Per Assy. |
|-----------|----------|--|-----------------|
| 1 | 193601 | SCREW - Shoulder, 5/16-24..... | 1 |
| 2 | 150085 | NUT - 1/4-28..... | 6 |
| 3 | 078628 | BRIDGE - Ink, N.O.S..... | 1 |
| 4 | 100815 | SCREW - 1/4-28 x 1-1/4..... | 3 |
| 5 | 100653 | SCREW - 1/4-28 x 3/4..... | 2 |
| 6 | 014234 | SCREW - 1/4-28 x 1.000..... | 2 |
| 7 | 078638 | SLIDE - Adjusting..... | 2 |
| 8 | 078669 | LEVER ASSEMBLY..... | 1 |
| 9 | 021861 | WASHER - .196 I.D. x .437 O.D..... | 4 |
| 10 | 014350 | SCREW - 10-32 x 5/16..... | 4 |
| 11 | 014372 | SCREW - Set, 10-32 x 1/4..... | 1 |
| 12 | 063206 | COLLAR..... | 1 |
| 13 | 082421 | LEVER - Toggle..... | 1 |
| 14 | 014745 | WASHER - Spring, .342 I.D. x .630 O.D..... | 1 |
| 15 | 063087 | SCREW - Shoulder, 10-32..... | 1 |
| 16 | 195681 | SPACER..... | 1 |
| 17 | 001060 | RING - Retaining, .208 I.D..... | 2 |
| 18 | 078646 | STOP - Lever..... | 2 |
| 19 | 195686 | STUD - 10-32..... | 2 |
| 20 | 100814 | SCREW - 1/4-28 x 1 1/2..... | 1 |
| 21 | 078626 | BRIDGE - Ink, O.S..... | 1 |
| 22 | 078680 | STUD - Pivot, 5/16-24..... | 1 |
| 23 | 014808 | NUT - 10-32..... | 2 |
| 24 | 017704 | LEVER ASSEMBLY..... | 1 |
| 24 | 018542 | LEVER ASSEMBLY (9840 B)..... | 1 |
| 25 | 011371 | HANDLE..... | 1 |
| 25 | 017593 | HANDLE (9840 B)..... | 1 |
| 26 | 072052 | LOCK - Spring..... | 1 |
| 27 | 001095 | RING - Retaining, .245 I.D..... | 1 |
| 28 | 017641 | TRAY ASSEMBLY..... | 1 |

Parts Catalog

QP, QPC & PRO

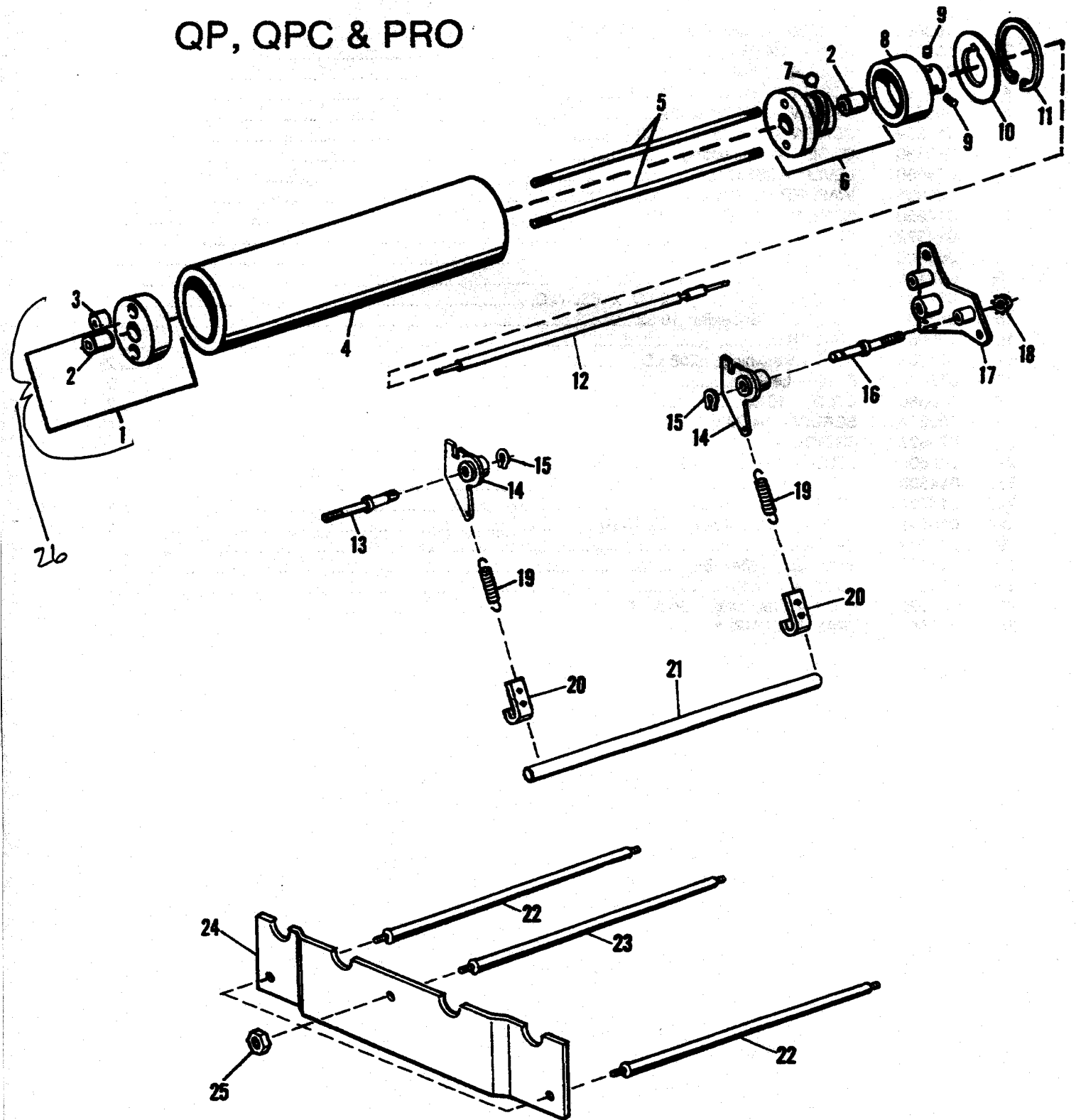


FIGURE 13
MODEL 9815/9850 Lower Oscillating Roller and Related Parts

Parts Catalog

| Index No. | Part No. | MODEL 9805/9850 Figure 13 Description | Units Per Assy. |
|-----------|----------|--|--------------------|
| 1 | 080694 | PLUG ASSEMBLY - Aux. Oscillating Roller | 1 |
| 2 | 001497 | BUSHING | 1 |
| 3 | 196475 | NUT - Special | 2 |
| 4 | 007577 | ROLLER - Nylon | 1 |
| 5 | 007580 | ROD - Tie | 2 |
| 6 | 080695 | PLUG AND CAM ASSEMBLY | 1 |
| 7 | 080699 | BALL | 1 |
| 8 | 080263 | CAP | 1 |
| 9 | 014390 | SCREW - Set, 1/4-28 x 1/4 | 2 |
| 10 | 080698 | GUARD | 1 |
| 11 | 014523 | RING- Retaining Internal, 2.456 I.D. x 2.600 O.D. x .081 | 1 |
| 12 | 078668 | SHAFT- Aux. Oscillating Roller | 1 |
| 13 | 195680 | STUD - Pivot, N.O.S. | 1 |
| 14 | 081178 | ARM ASSEMBLY - Oscillating Roller | 2 |
| 15 | 001095 | RING - Retaining External, .245 I.D. x .500 O.D. x .027 | 2 |
| 16 | 195683 | STUD - Pivot, O.S. | 1 |
| 17 | 078639 | BRACKET ASSEMBLY - Bearing, O.S. | 1 |
| 18 | 150085 | NUT - 1/4-28 | 4 |
| 19 | 190330 | SPRING - .374 O.D. x 2-25/32 O.A.L. x .288 | 2 |
| 20 | 076070 | CLIP - Spring Anchor | 2 |
| 21 | 007575 | TIE BAR | 1 |
| 22 | 078672 | TIE ROD - End, Short | 2 |
| 23 | 078671 | TIE ROD - Long | 1 |
| 24 | 078641 | RACK | 2 |
| 25 | 014808 | NUT - 10-32 | 6 |

26 007576 ROLLER ASSY. (USE SHAFT #12)

Parts Catalog

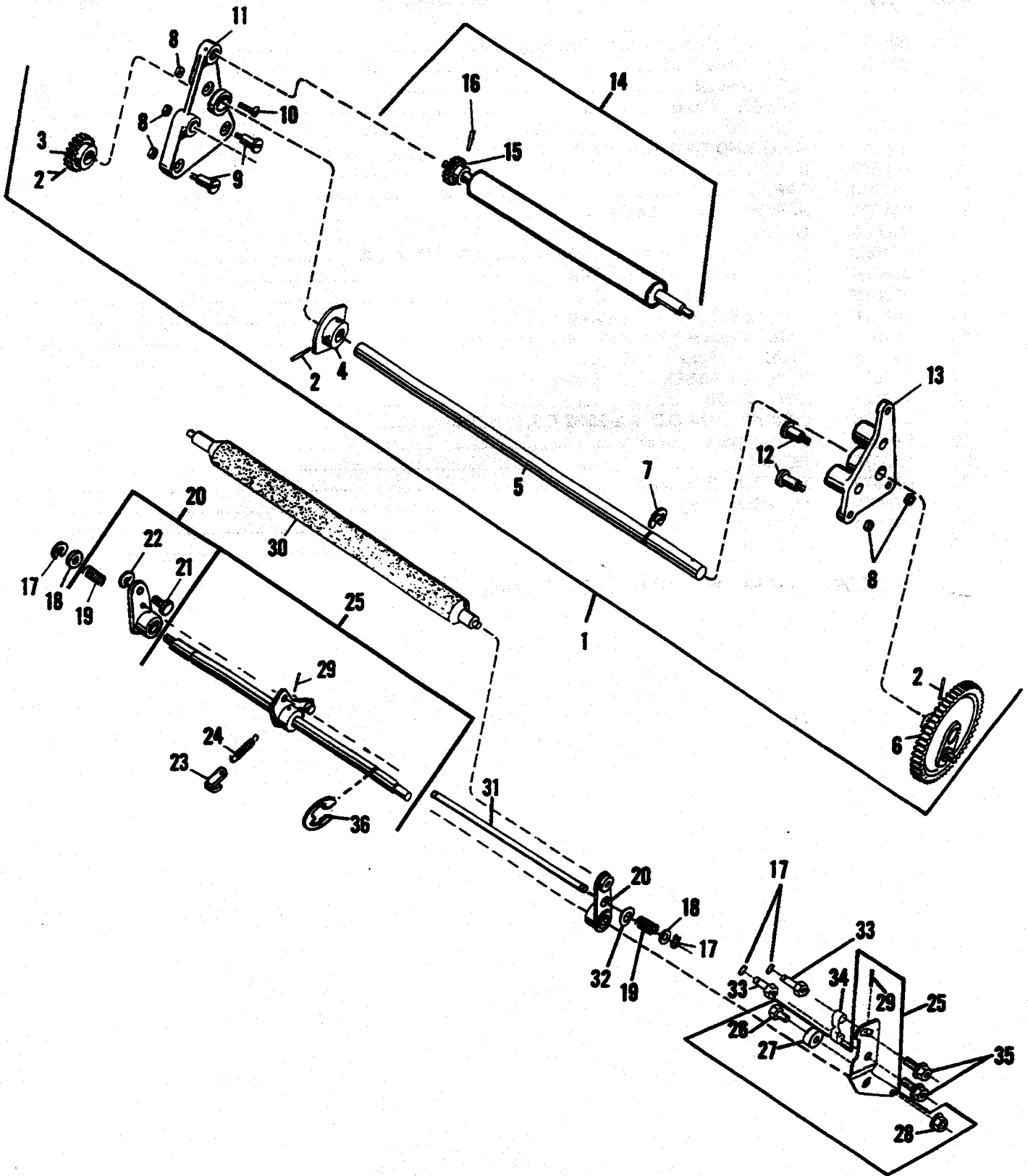


FIGURE 14
MODEL 9815/9850 Ink Distributor and Ductor Rollers

Parts Catalog

| Index No. | Part No. | MODEL 9805/9850 Figure 14 Description | Units Per Assy. |
|-----------|-------------------|--|-----------------|
| 1 | 017989 | CAM SHAFT | 1 |
| 2 | 001956 | PIN - Taper, .156 O.D. x .968 O.A.L. | 3 |
| 3 | 079912 | GEAR CAM SHAFT | 1 |
| 4 | *017990 | CAM - Cam Shaft | 1 |
| 5 | *007585 | SHAFT - Cam | 1 |
| 6 | *076727 | GEAR - Cam Shaft | 1 |
| 7 | 001094 | RING - Retaining, .399 I.D. | 5 |
| 8 | 150085 | NUT - 1/4-28 | 2 |
| 9 | 073123 | SCREW - Shoulder, 1/4-28 | 2 |
| 10 | 014180 | SCREW - 1/4-28 x 1.000 | 1 |
| 11 | 073120 | BEARING - Bracket, N.O.S. | 1 |
| 12 | 073094 | SCREW - Shoulder, 1/4-28 | 2 |
| 13 | 073091 | BEARING - Bracket, O.S. (TD and CD) | 1 |
| 13 | 078639 | BEARING - Bracket, O.S. (QP, QPC and PRO) | 1 |
| 14 | 007549 | ROLLER AND GEAR - Distributor, Nylon | 1 |
| 15 | *073059 | GEAR | 1 |
| 16 | 101332 | PIN - Spiral, .103 O.D. x .760 O.A.L. | 1 |
| 17 | 001049 | RING - Retaining, .277 I.D. | 2 |
| 18 | 021203 | WASHER - .255 I.D. x .500 O.D. | 2 |
| 19 | 054409 | SPRING - Compression, 21/64 I.D. x 1-13/16 O.A.L. | 1 |
| 20 | 084422 | LEVER ASSEMBLY - Ductor | 2 |
| 21 | 084421 | BUSHING - Special, .253 I.D. | 1 |
| 22 | 001047 | RING - Retaining, .340 I.D. | 1 |
| 23 | 073107 | ANCHOR - Spring | 1 |
| 24 | 072625 | SPRING - Tension, 11/32 O.D. x 1-1/8 O.A.L. | 1 |
| 25 | 017633 | SHAFT ASSEMBLY - Actuating | 1 |
| 26 | 077459 | SCREW - Eccentric, 10-32 | 1 |
| 27 | 193774 | TRUCK | 1 |
| 28 | 150083 | NUT - 10-32 | 1 |
| 29 | 014902 | PIN - Taper, .750 O.A.L. | 2 |
| 30 | 014902 | ROLLER - Ductor, Rubber <i>403104</i> | 1 |
| 31 | 016937 | BAR - Tension | 1 |
| 32 | 014741 | WASHER - Spring, .267 I.D. x .572 O.D. | 1 |
| 33 | 017639 | STAND-OFF | 2 |
| 34 | 017640 | SPRING - Lockout | 1 |
| 35 | 111053 | SCREW - 10-32 x 7/16 | 2 |
| 36 | 001098 | RING - Retaining, .3391 I.D. | 1 |

*Not Procurable Separately

Parts Catalog

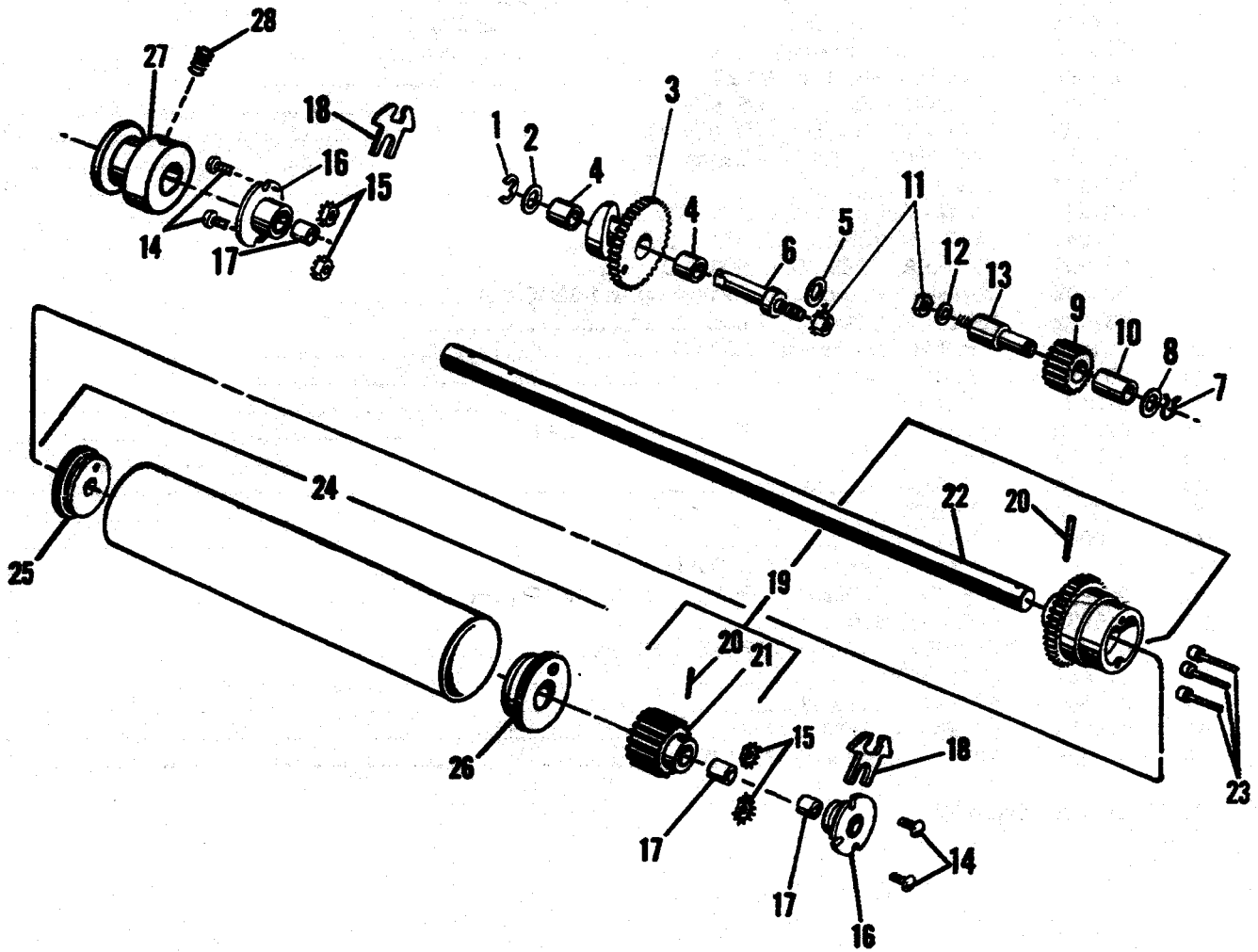


FIGURE 15
MODEL 9815/9850 Waver Roller

Parts Catalog

| Index No. | Part No. | MODEL 9805/9850 Figure 15 Description | Units Per Assy. |
|-----------|----------|---|--------------------|
| 1 | 100576 | RING - Retaining, .469 I.D. | 1 |
| 2 | 191289 | WASHER - .504 I.D. | 1 |
| 3 | 073043 | WAVER AND CAM GEAR ASSEMBLY | 1 |
| 4 | 001432 | BUSHING - .504 I.D. x .629 O.D. x .500 O.A.L. | 2 |
| 5 | 001721 | WASHER - .380 I.D. | 1 |
| 6 | 080349 | STUD - Waver and Cam Gear | 1 |
| 7 | 001048 | RING - Retaining, .463 I.D. | 1 |
| 8 | 001797 | WASHER - Lock, .515 I.D. x .812 O.D. | 1 |
| 9 | 076218 | IDLER GEAR ASSEMBLY | 1 |
| 10 | 001427 | BUSHING - .503 I.D. x .628 O.D. x .880 O.A.L. | 1 |
| 11 | 190254 | NUT - 3/8-24 | 2 |
| 12 | 014750 | WASHER - Lock, .391 I.D. x .687 O.D. | 1 |
| 13 | 195385 | STUD - Idler Gear, 3/8-24 | 1 |
| 14 | 111055 | SCREW - 10-32 x 9/16 | 4 |
| 15 | 014248 | NUT - 10-32 | 4 |
| 16 | 075931 | BUSHING ASSEMBLY - Waver Roller and Shaft | 2 |
| 17 | 001497 | BUSHING - .504 I.D. x .629 O.D. x .625 O.A.L. | 4 |
| 18 | 073894 | SLIDE - Form Roller | 2 |
| 19 | 007557 | SHAFT ASSEMBLY - Waver Roller | 1 |
| 20 | 014910 | PIN - Taper, .875 O.A.L. | 2 |
| 21 | 079905 | GEAR | 1 |
| 22 | *007558 | SHAFT | 1 |
| 23 | 014157 | SCREW - 1/4-28 x 1-1/4 | 3 |
| 24 | 007559 | ROLLER ASSEMBLY - Waver, Nylon | 1 |
| 25 | 080473 | BEARING | 1 |
| 26 | 080433 | BEARING | 1 |
| 27 | 073482 | COUPLING | 1 |
| 28 | 014207 | SCREW - Set, 1/4-28 x 5/8 | 1 |

*Not Procurable Separately

Parts Catalog

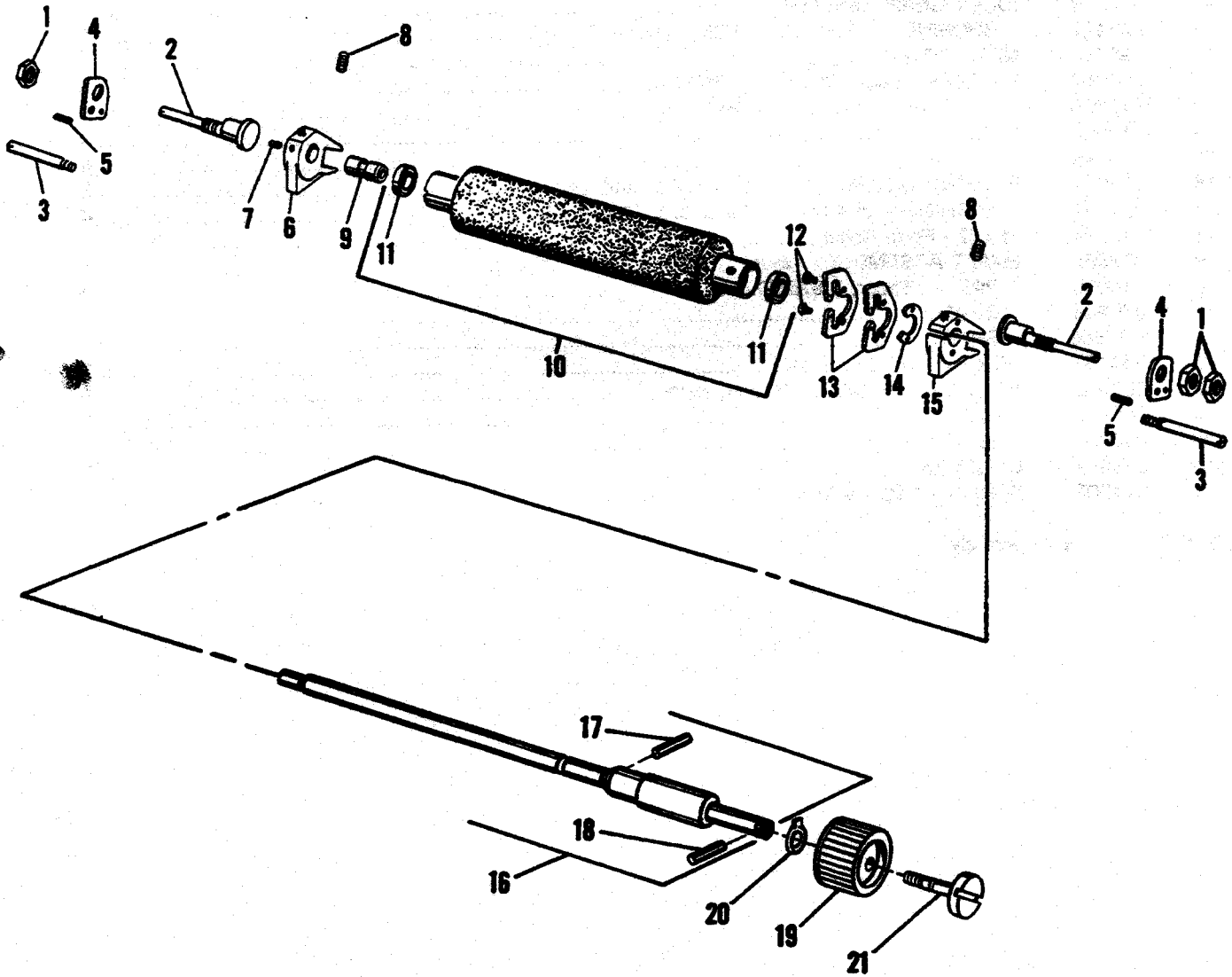


FIGURE 16
MODEL 9815/9850 Upper Form Roller and Shaft Assembly

Parts Catalog

| Index No. | Part No. | MODEL 9805/9850 Figure 16 Description | Units Per Assy. |
|-----------|----------|--|-----------------|
| 1 | 014819 | NUT - 5/16-24 | 2 |
| 2 | 076481 | SCREW - Eccentric Adjusting, 5/16-24 | 2 |
| 3 | 072271 | STUD - Locking, 10-32 | 2 |
| 4 | 072272 | LEVER - Locking Stud | 2 |
| 5 | 014912 | PIN - Roll, .167 O.D. x .515 O.A.L. | 2 |
| 6 | 073446 | FORM ROLLER LEVER - N.O.S. | 1 |
| 7 | 014108 | SCREW - Set, 10-32 x 3/8 | 1 |
| 8 | 073338 | SPRING - Compression, 9/16 O.D. x 1-17/64 O.A.L. (RED) | 2 |
| 9 | 073327 | SLEEVE - Form Roller | 1 |
| 10 | 007567 | ROLLER ASSEMBLY - Upper Form (2.0 Diameter) | 1 |
| 11 | 073316 | BEARING - .437 I.D. x .906 O.D. | 2 |
| 12 | 001577 | SCREW - 8-32 x 7/16 | 2 |
| 13 | 073098 | RETAINER - Stop Plate | 2 |
| 14 | 073097 | PLATE - Stop | 1 |
| 15 | 073444 | FORM ROLL LEVER - O.S. | 1 |
| 16 | 007599 | SHAFT ASSEMBLY - Form Roller | 1 |
| 17 | 001978 | PIN - Roll, .135 O.D. x .765 O.A.L. | 1 |
| 18 | 001980 | PIN - Roll, .135 O.D. x .640 O.A.L. | 1 |
| 19 | 017735 | KNOB | 1 |
| 20 | 039642 | RING - Vinyl, .135 I.D. | 1 |
| 21 | 196246 | SCREW - Dowel, 1/4-28 | 1 |

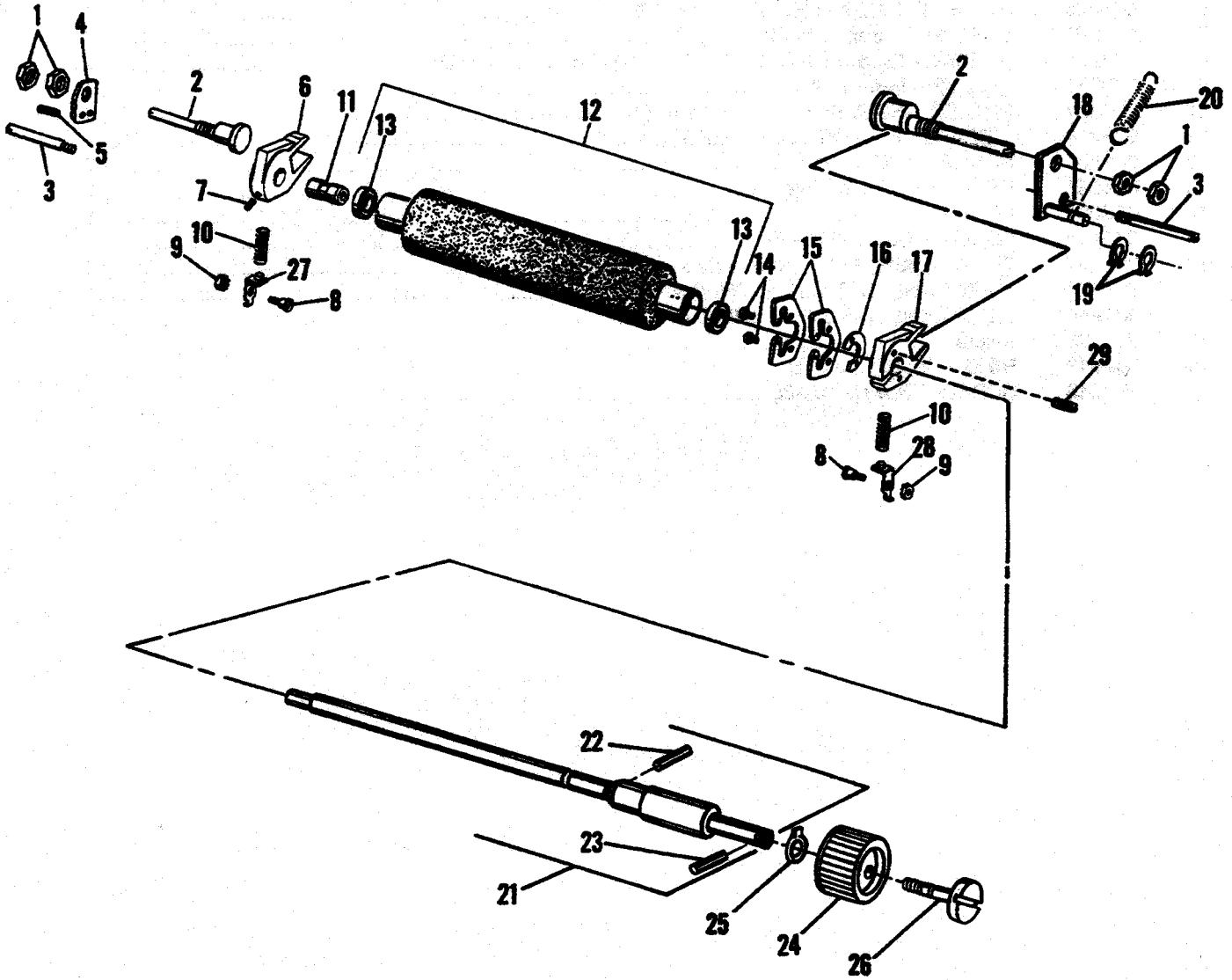


FIGURE 17
MODEL 9815/9850 Lower Form Roller and Shaft Assembly

Parts Catalog

| Index No. | Part No. | MODEL 9805/9850 Figure 17 Description | Units Per Assy. |
|-----------|----------|---|-----------------|
| 1 | 014819 | NUT- 5/16-24 | 2 |
| 2 | 076481 | SCREW - Eccentric Adjusting, 5/16-24 | 2 |
| 3 | 072271 | STUD - Locking, 10-32 | 2 |
| 4 | 072272 | LEVER - Locking, Stud N.O.S. | 1 |
| 5 | 014912 | PIN - Roll, .167 O.D. x .515 O.A.L. | 1 |
| 6 | 073445 | FORM ROLL LEVER - N.O.S. | 1 |
| 7 | 014108 | SCREW - Set, 10-32 x 3/8 | 1 |
| 8 | 193917 | SCREW - Dowel, 1/4-28 x 5/16 | 2 |
| 9 | 150085 | NUT - 1/4-28 | 2 |
| 10 | 402575 | SPRING- Compression, .510 I.D. x 1-1/4 O.A.L. (White) | 2 |
| 11 | 073327 | SLEEVE - Form Roller | 1 |
| 12 | 007565 | ROLLER ASSEMBLY - Lower Form (2.4 Diameter) | 1 |
| 13 | 073316 | BEARING - .437 I.D. x .906 O.D. | 2 |
| 14 | 001577 | SCREW - 8-32 x 7/16 | 2 |
| 15 | 073098 | RETAINER - Stop Plate | 2 |
| 16 | 073097 | PLATE - Stop | 1 |
| 17 | 073443 | FORM ROLL LEVER - O.S. | 1 |
| 18 | 017626 | LEVER - Locking, Stud O.S. | 1 |
| 19 | 100741 | RING - Retaining, .146 I.D. | 2 |
| 20 | 192152 | SPRING - 17/64 O.D x 3-5/64 O.A.L. | 1 |
| 21 | 007599 | SHAFT ASSEMBLY - Form Roller | 1 |
| 22 | 001978 | PIN - Roll, .135 O.D. x .765 O.A.L. | 1 |
| 23 | 001980 | PIN - Roll, .135 O.D. x .640 O.A.L. | 1 |
| 24 | 017735 | KNOB | 1 |
| 25 | 039642 | RING - Vinyl, .135 I.D. | 1 |
| 26 | 196246 | SCREW - Dowel, 1/4-28 | 1 |
| 27 | 072278 | ANCHOR - Spring, N.O.S. | 1 |
| 28 | 072277 | ANCHOR - Spring, O.S. | 1 |
| 29 | 101033 | SCREW - Set 8-32 x 1/2 | 1 |

Parts Catalog

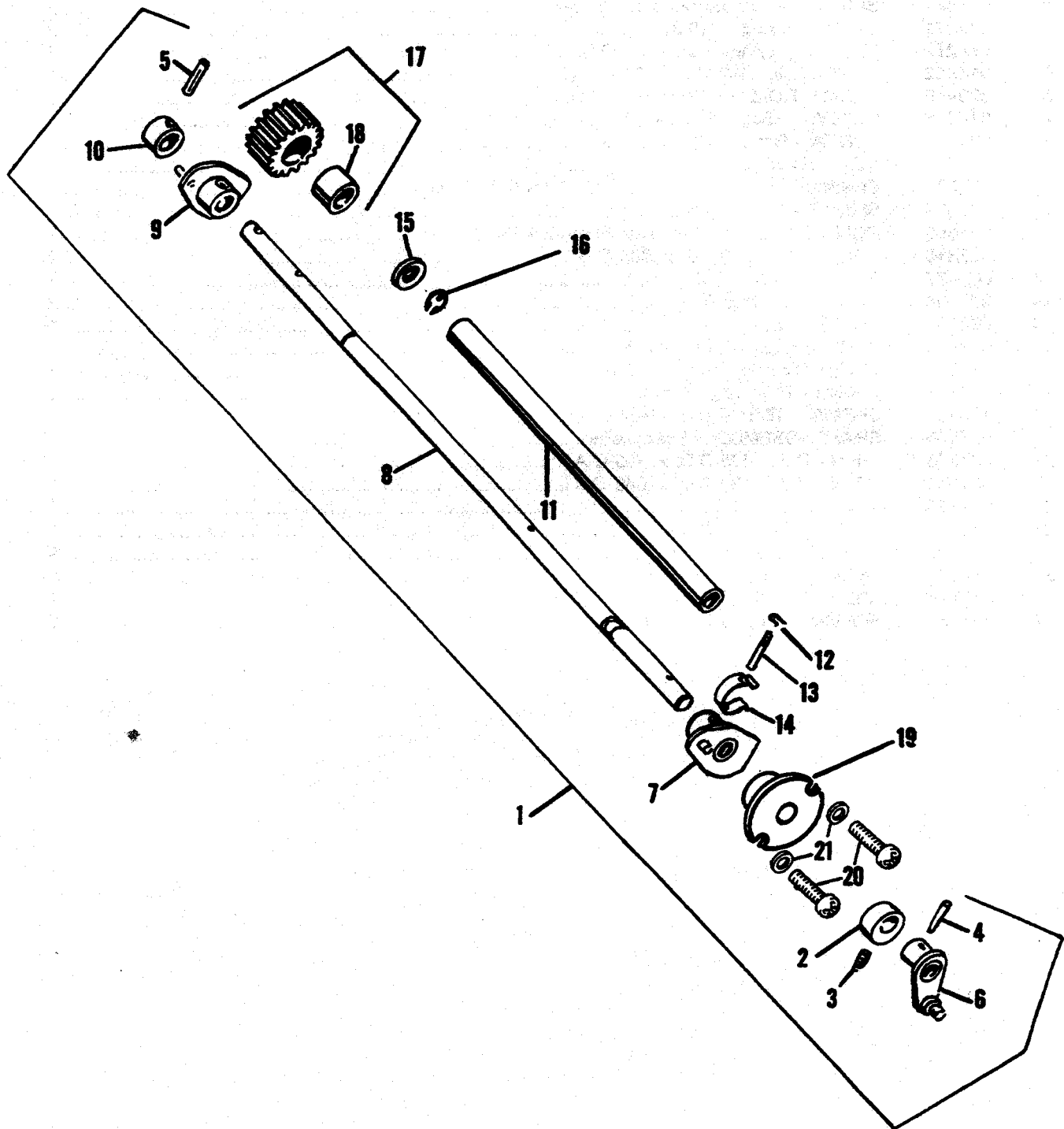


FIGURE 18
MODEL 9815/9850 Form Roller Separator

Parts Catalog

| Index No. | Part No. | MODEL 9805/9850 Figure 18 Description | Units Per Assy. |
|-----------|----------|--|-----------------|
| 1 | 017619 | SHAFT ASSEMBLY - Form Roller Separator | 1 |
| 2 | 071594 | COLLAR - Eccentric..... | 1 |
| 3 | 014372 | SCREW - Set, 10-32 x 1/4 | 1 |
| 4 | 000009 | PIN - Taper, .750 O.A.L. | 1 |
| 5 | 001978 | PIN - Roll, .135 O.D. x .765 O.A.L. | 1 |
| 6 | *017620 | LEVER - Separating..... | 1 |
| 7 | *071649 | CAM - O.S. Form Roller Separator | 1 |
| 8 | *007554 | SHAFT - Form Roller Separator | 1 |
| 9 | *071648 | CAM - N.O.S. Form Roller Separator | 1 |
| 10 | *055535 | COLLAR - Separator Shaft | 1 |
| 11 | 192763 | TUBE - .572 I.D. x .622 O.D. x 14.077 | 1 |
| 12 | 014507 | RING - Retaining, .097 I.D. | 2 |
| 13 | 190382 | PIN - Spring Clip | 2 |
| 14 | 190383 | CLIP - Spring | 2 |
| 15 | 192798 | WASHER - .507 I.D. | 1 |
| 16 | 100969 | RING - Retaining, .447 I.D. | 1 |
| 17 | 076386 | GEAR - Idler..... | 1 |
| 18 | 001427 | BUSHING - .503 I.D. x .628 O.D. x .880 O.A.L. | 1 |
| 19 | 073029 | BEARING HOUSING | 2 |
| 20 | 111068 | SCREW - 1/4-28 x 5/16 | 4 |
| 21 | 021203 | WASHER - .255 I.D. x .500 O.D. | 4 |

*Not Procurable Separately

Parts Catalog

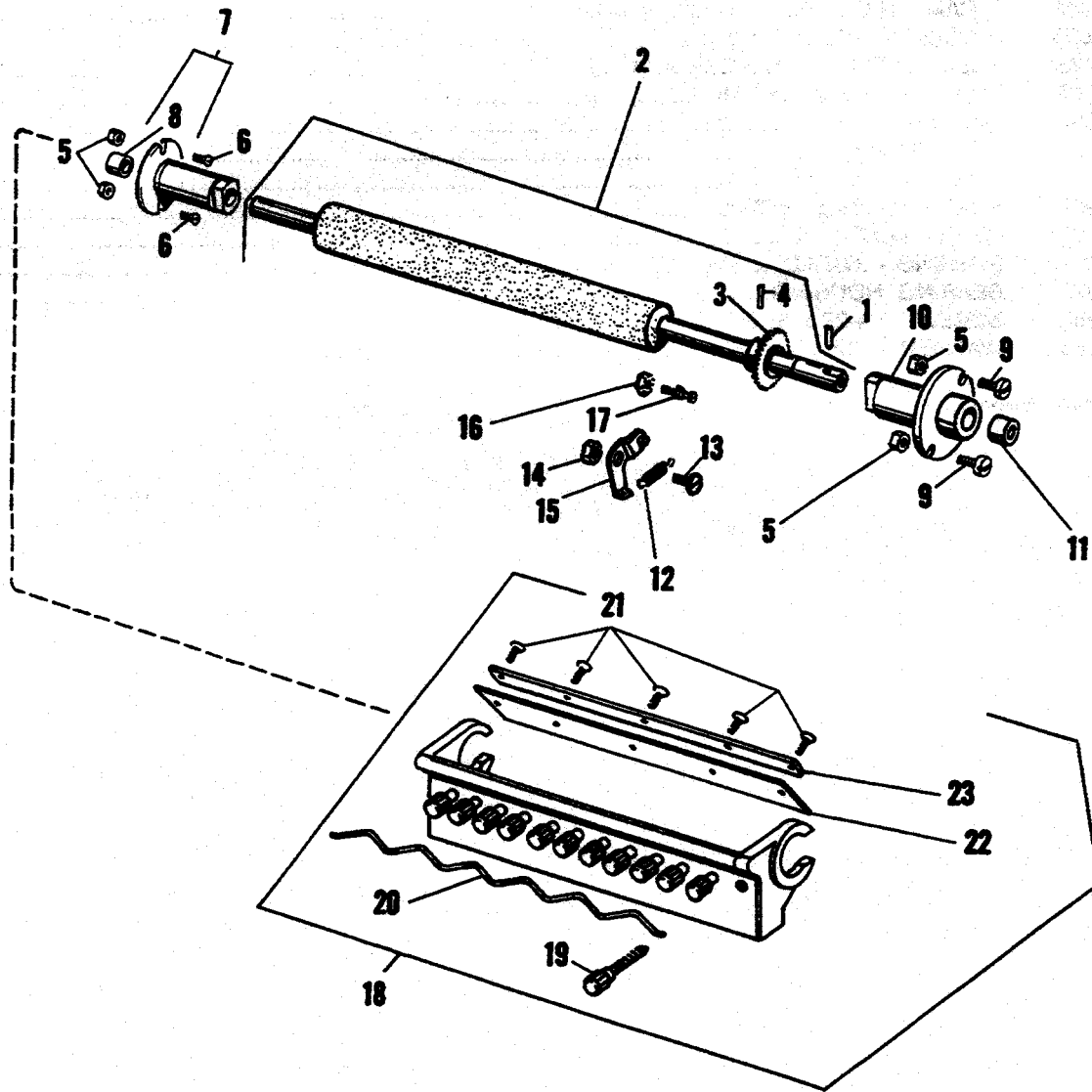


FIGURE 19
MODEL 9815/9850 Ink Fountain and Roller

Parts Catalog

| Index No. | Part No. | MODEL 9805/9850 Figure 19 Description | Units Per Assy. |
|-----------|-----------|--|--------------------|
| 1 | 014921 | PIN - Roll, .135 O.D. .890 O.A.L. | 1 |
| 2 | 017697 | ROLLER ASSEMBLY- Ink Fountain (TD and CD) | 1 |
| 3 | ***079913 | GEAR - (Use With 1976 Roll Pin) (TD and CD) | 1 |
| 4 | 000011 | PIN - Taper, .123 O.D. .908 O.A.L. (TD and CD) | 1 |
| 5 | 150083 | NUT- 10-32 | 2 |
| 6 | 111055 | SCREW - 10-32 X 9/16 | 2 |
| 7 | 076031 | HOUSING ASSEMBLY - N.O.S. (TD and CD) | 1 |
| 8 | 001497 | BUSHING - .504 I.D. x .629 O.D. x .625 O.A.L. | 1 |
| 8 | 001428 | BUSHING - .439 I.D. x .565 O.D. x 9/16 O.A.L. | 1 |
| 9 | 111051 | SCREW - 10-32 x 5/16 | 2 |
| 10 | 017695 | HOUSING ASSEMBLY - O.S. (TD and CD) | 1 |
| 11 | 001434 | BUSHING - .504 I.D. x .629 O.D. x .380 O.A.L. | 2 |
| 12 | 041291 | SPRING - .343 O.D. x .968 O.A.L. | 1 |
| 13 | 071181 | SCREW - Shoulder, 1/4-28 | 1 |
| 14 | 150085 | NUT - 1/4-28 | 1 |
| 15 | 073078 | LATCH AND PIVOT | 1 |
| 16 | 014808 | NUT- 10-32 | 1 |
| 17 | 072411 | STUD - Latch and Pivot | 1 |
| 18 | 027123 | INK FOUNTAIN ASSEMBLY - (TD and CD) | 1 |
| 19 | 077426 | SCREW - Ink Adjustment, (TD and CD) | 15 |
| 19 | 073512 | SCREW - Ink Adjustment, (QP, QPC and PRO) | 16 |
| 20 | 007594 | WIRE - Locking (TD and CD) | 1 |
| 21 | 014222 | SCREW - 8-32 x 3/8 (TD and CD) | 6 |
| 21 | 100334 | SCREW - 10-32 x 3/4 (QP, QPC and PRO) | 5 |
| 22 | 007596 | KNIFE - (TD and CD) | 1 |
| 22 | 008066 | KNIFE - (QP, QPC and PRO) | 1 |
| 23 | 007595 | BAR - Knife (TD and CD) | 1 |

***Field Replacement Only

Parts Catalog

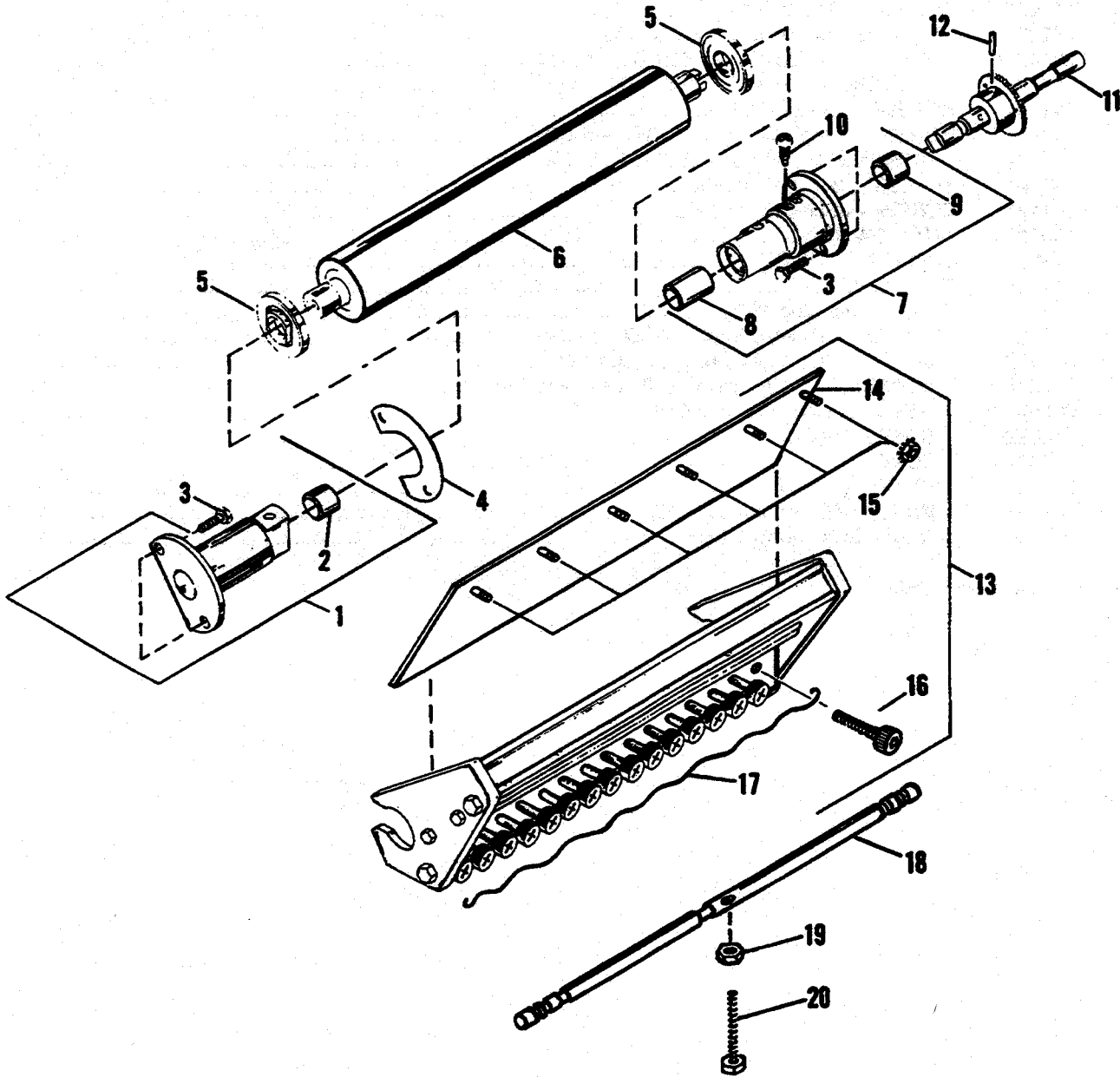


FIGURE 19A
MODEL 9815/9850 Ink Metering Assembly

Parts Catalog

| Index No. | Part No. | MODEL 9805/9850 Figure 19A Description | Units Per Assy. |
|-----------|-------------------|--|-----------------|
| 0 | 018404 | INK FOUNTAIN KIT | A/R |
| 1 | 018364 | BUSHING ASSEMBLY - N.O.S. | 1 |
| 2 | 001497 | BUSHING - .630 O.A.L. | 1 |
| 3 | 111051 | SCREW - 10-32 x 5/16 | 4 |
| 4 | 018368 | SHIM - Bushing, N.O.S. | A/R |
| 5 | 018360 | SEAL - Ink Roller | 2 |
| 6 | 018358 | ROLLER - Ink, Rubber | 1 |
| 7 | 018362 | BUSHING ASSEMBLY - O.S. | 1 |
| 8 | 014646 | BUSHING - 1.255 O.A.L. | 1 |
| 9 | 001413 | BUSHING - .750 O.A.L. | 1 |
| 10 | 072620 | SCREW - Shoulder, 10-32 | 1 |
| 11 | 018366 | EXTENSION ASSEMBLY - Knob | 1 |
| 11 | 018383 | EXTENSION ASSEMBLY - Crank (New Design) | 1 |
| 12 | 000011 | PIN - Taper, .122 x 7/8 | 1 |
| 13 | 018350 | METERING BLADE ASSEMBLY | 1 |
| 14 | 102544 | BLADE ASSEMBLY | 1 |
| 15 | 102333 | NUT - 10-32 | 6 |
| | 000666 | LOCK WASHER | 6 |
| 16 | 077426 | SCREW - Ink Adjustment | 15 |
| 16 | 073512 | SCREW - Ink Adjustment (9840 B) | 15 |
| 17 | 018357 | SPRING - Screw, Tension | 1 |
| 18 | 017996 | TIE BAR - Metering Assembly Adjustment (Brown) | 1 |
| 19 | 001812 | NUT - 10-32 | 1 |
| 20 | 001260 | SCREW - Adjusting, 10-32 x 1-1/4 | 1 |
| 21 | 190646 | BOLD - (Not Illustrated) | 4 |
| 22 | 018378 | END PLATE - O.S. and N.O.S. (Not Illustrated) | 2 |
| 23 | 022854 | SCALE - (Not Illustrated) | 1 |

403175

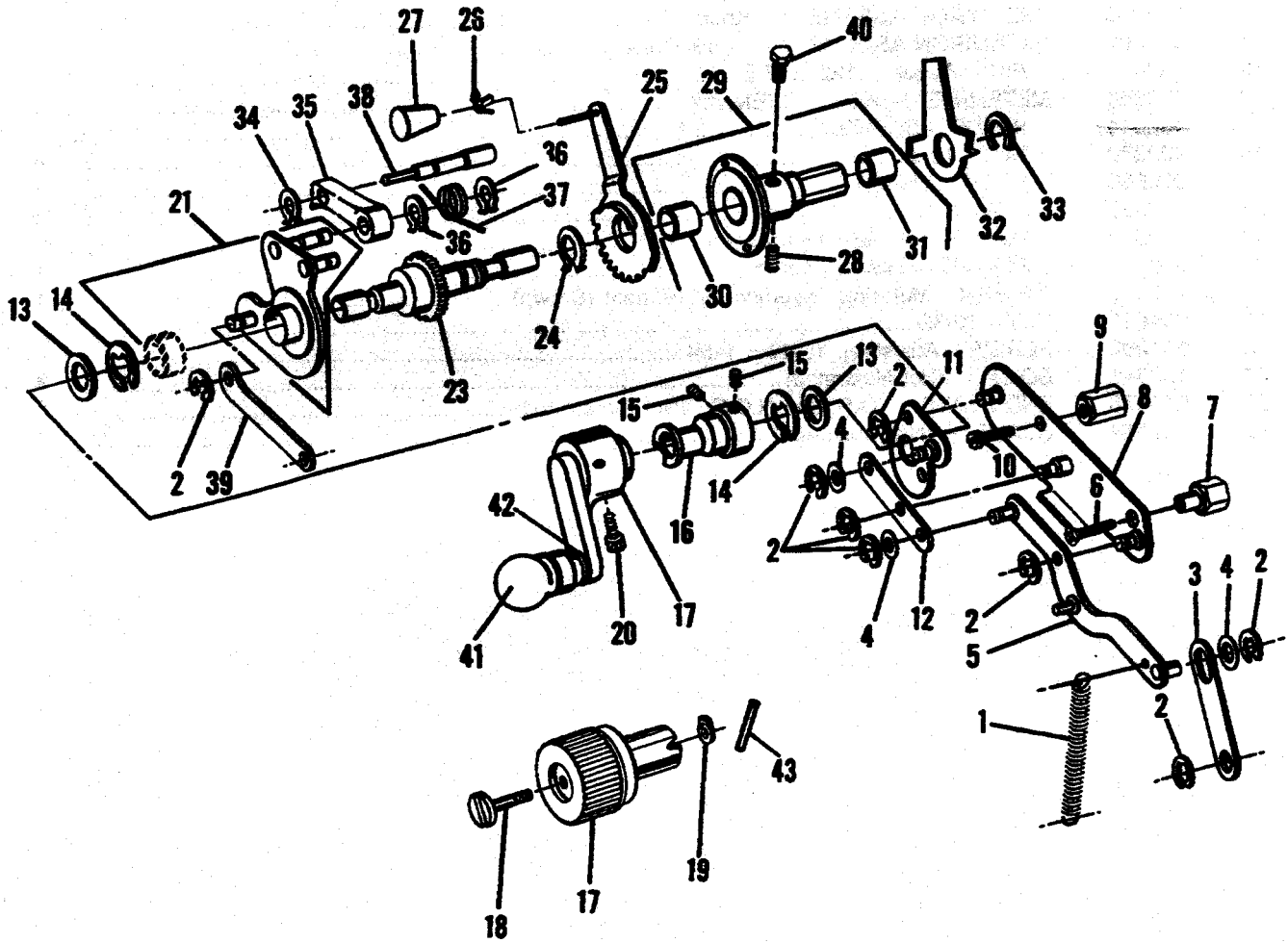


FIGURE 20
MODEL 9815/9850 Ink Fountain Linkage

Parts Catalog

| Index No. | Part No. | MODEL 9805/9850 Figure 20 Description | Units Per Assy. |
|-----------|----------|--|-----------------|
| 1 | 192152 | SPRING - 17/64 O.D. x 3-5/64 O.A.L. | 1 |
| 2 | 001097 | RING - Retaining, .186 I.D. | 6 |
| 3 | 017618 | LINK | 1 |
| 4 | 015213 | WASHER - .227 I.D. x 3/8 O.D. | 3 |
| 5 | 017616 | LEVER ASSEMBLY | 1 |
| 6 | 014151 | SCREW - 10-32 x 1/2 | 1 |
| 7 | 017623 | STAND - OFF | 1 |
| 8 | 017611 | BRACKET ASSEMBLY | 1 |
| 9 | 017622 | STAND - OFF | 1 |
| 10 | 192029 | SCREW - Dowel, 1/4-28 | 1 |
| 11 | 017613 | PLATE ASSEMBLY | 1 |
| 12 | 017615 | LEVER | 1 |
| 13 | 014688 | WASHER - .510 I.D. x 1.000 O.D. | 2 |
| 14 | 001094 | RING - Retaining, .394 I.D. | 2 |
| 15 | 014902 | PIN - .126 O.D. x .750 O.A.L. (New Design) | 1 |
| 15 | 014133 | SCREW - Set, 1/4-28 x 1/4 O.A.L. (Old Design) | 2 |
| 16 | 079075 | RATCHET- Crank (Old Design) | 1 |
| 17 | 017788 | CRANK ASSEMBLY - (QP, QPC and PRO), Brown | 1 |
| 17 | 017739 | KNOB - (TD and CD), Chrome | 1 |
| 18 | 196248 | SCREW - Dowel, 1/4-28 | 1 |
| 19 | 039642 | RING - Vinyl, .135 I.D. | 1 |
| 20 | 014215 | SCREW - 10-32 x 3/8 | 1 |
| 21 | 017630 | LEVER ASSEMBLY - Operating | 1 |
| 23 | 018366 | EXTENSION ASSEMBLY - Knob | 1 |
| 23 | 018383 | EXTENSION ASSEMBLY - Crank (New Design) | 1 |
| 24 | 001076 | RING - Retaining, .815 I.D. | 1 |
| 25 | 017702 | CONTROL ASSEMBLY - Ink | 1 |
| 26 | 072052 | LOCK - Spring | 1 |
| 27 | 011371 | HANDLE | 1 |
| 28 | 100863 | SCREW - 10-32 x 1/4 | 1 |
| 29 | 018404 | HOUSING ASSEMBLY - O.S. (QP, QPC and PRO) | 1 |
| 30 | 001434 | BUSHING - .504 I.D. x .629 O.D. x .380 O.A.L. | 2 |
| 31 | 001428 | BUSHING - .439 I.D. x .565 O.D. x 9/16 O.A.L. | 1 |
| 32 | 017636 | LEVER - Lockout | 1 |
| 33 | 001785 | RING - Retaining, .903 I.D. | 1 |
| 34 | 001044 | RING - Retaining, .170 I.D. | 1 |
| 35 | 017693 | PAWL | 1 |
| 36 | 001046 | RING - Retaining, .283 I.D. | 2 |
| 37 | 080634 | SPRING - Torsion, 11/32 I.D. | 1 |
| 38 | 196258 | PIN - Pawl Deflector | 1 |
| 39 | 076734 | LINK - Operating Lever | 1 |
| 40 | 080132 | SCREW - 1/4-28 | 1 |
| 41 | 196219 | CRANK HANDLE KNOB - Brown | 1 |
| 42 | 003042 | CLIP - (Not Illustrated) | 1 |
| 43 | 014921 | PIN - Roll, .135 O.D. x .890 O.A.L. <u>001992 15 .135 OD x 1.015 OAL</u> | 1 |

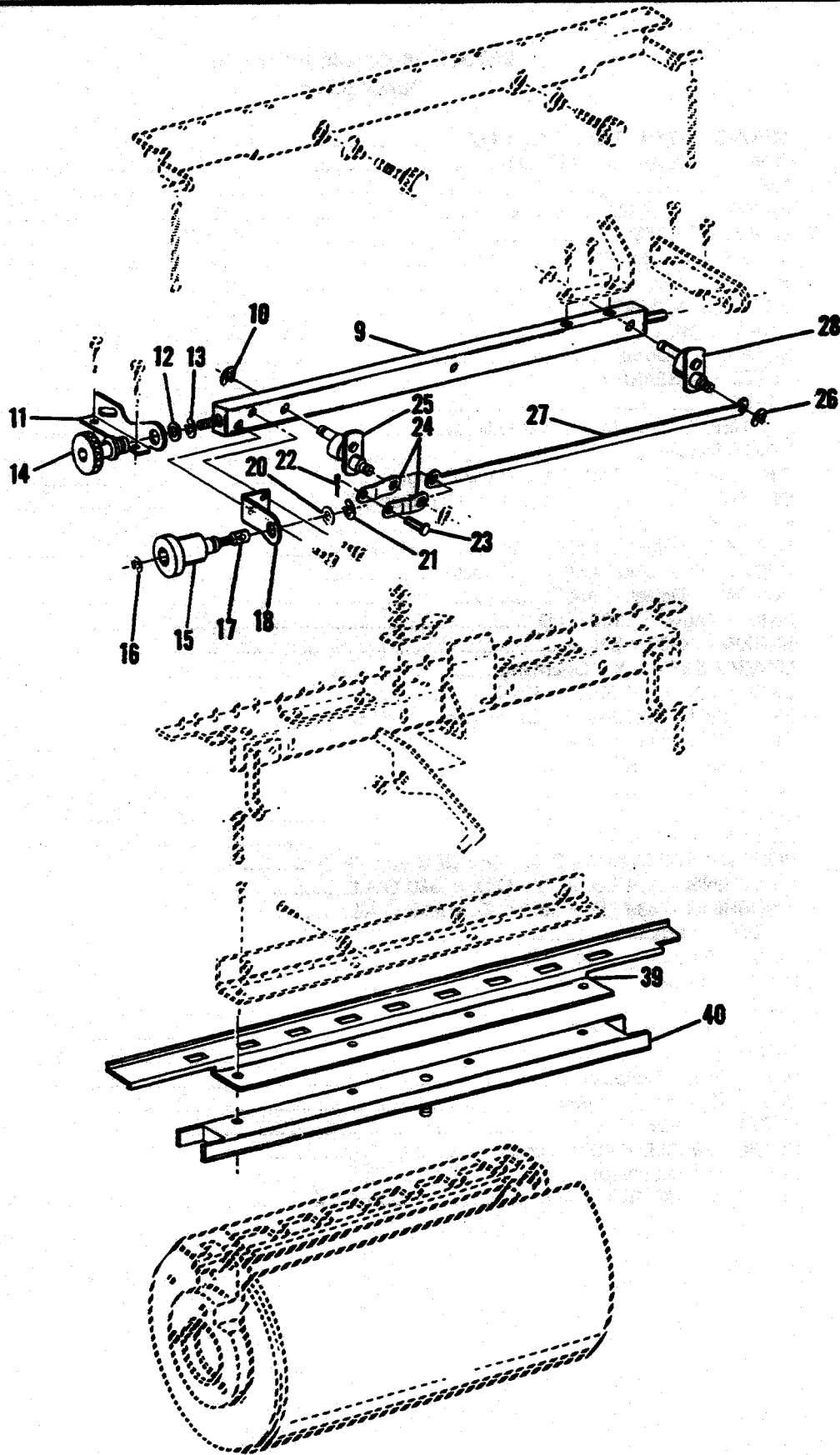


FIGURE 21
MODEL 9815/9850 Master Cylinder Assembly - Part I

Parts Catalog

| Index No. | Part No. | MODEL 9805/9850 Figure 21 Description | Units Per Assy. |
|-----------|----------|---------------------------------------|-----------------|
| 9 | 009782 | BAR - Lateral Adjusting | 1 |
| 10 | 001060 | RING - Retaining, .208 I.D. | 2 |
| 11 | 009778 | BRACKET - Clamp, O.S. | 1 |
| 12 | 190149 | WASHER - .443 I.D. x 11/16 O.D. | 1 |
| 13 | 001098 | RING - Retaining, .339 I.D. | 1 |
| 14 | 009773 | KNOB - Lateral Control | 1 |
| 15 | 009783 | KNOB - Radial Control | 1 |
| 16 | 001782 | RING - Retaining, .115 I.D. | 1 |
| 17 | 009785 | ROD - Threaded, 10-32 x 1.000 | 1 |
| 18 | 009781 | BRACKET - Radial Adjust | 1 |
| 20 | 193354 | WASHER - .381 I.D. x 5/8 O.D. | 1 |
| 21 | 001080 | RING - Retaining, .302 I.D. | 1 |
| 22 | 100172 | PIN - Cotter, 1/32 x .250 O.A.L. | 1 |
| 23 | 196273 | PIN - Link | 1 |
| 24 | 009786 | LINK | 2 |
| 25 | 009766 | CAM - O.S. | 1 |
| 26 | 014504 | RING - Retaining, .146 I.D. | 2 |
| 27 | 009772 | LINK - Cam Control | 1 |
| 28 | 009767 | CAM - N.O.S. | 1 |
| 39 | 009756 | PLATE - Clamp | 1 |
| 40 | 009754 | BAR ASSEMBLY - Radial Assembly | 1 |

Parts Catalog

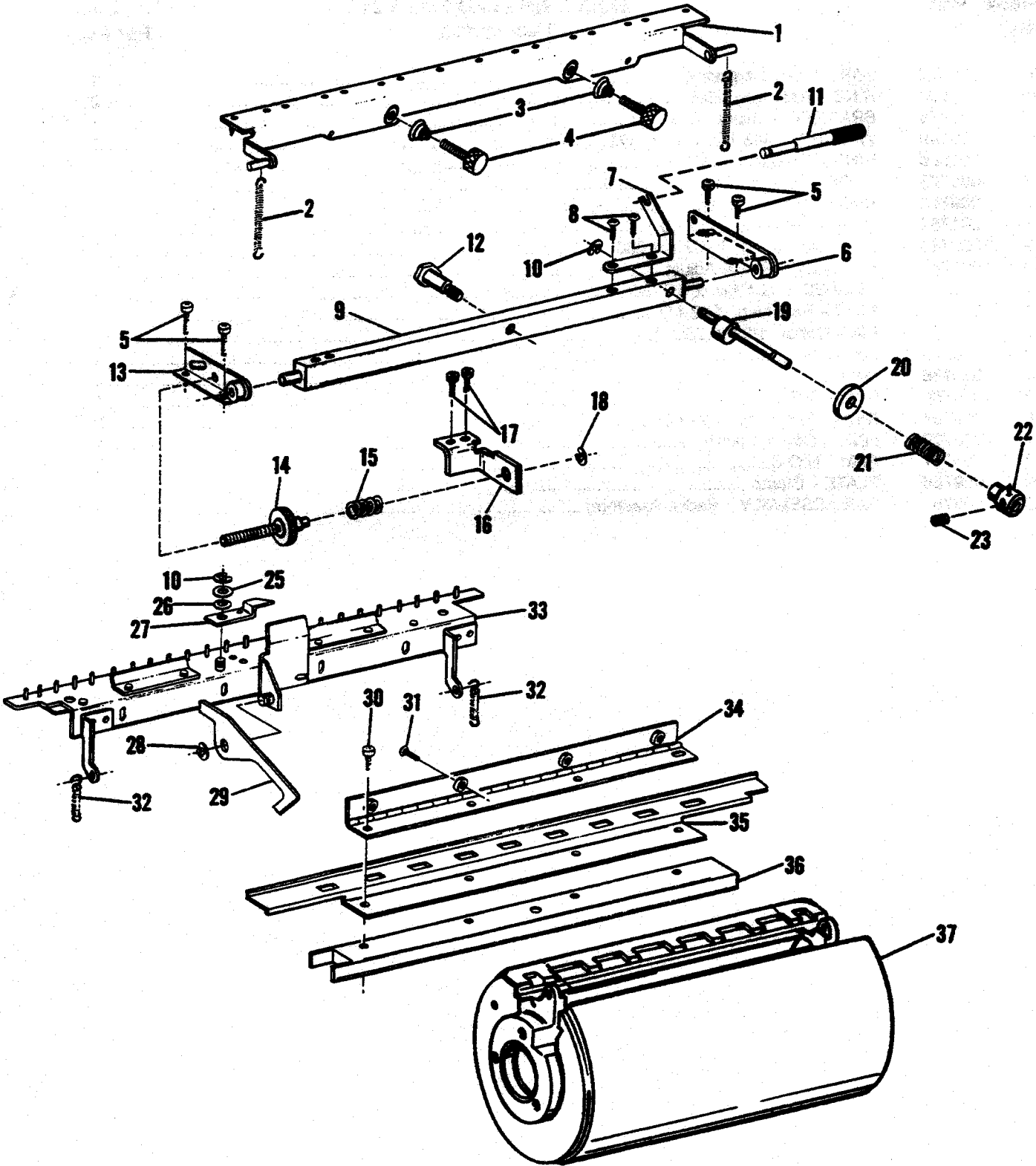


FIGURE 21A
MODEL 9815/9850 Improved Head Clamp

Parts Catalog

| Index No. | Part No. | MODEL 9805/9850 Figure 21A Description | Units Per Assy. |
|-----------|-------------------|---|-----------------|
| 1 | 009774 | TAIL CLAMP ASSEMBLY | 1 |
| 2 | 190137 | SPRING - 13/32 O.D. x 2-5/8 O.A.L. | 2 |
| 3 | 192997 | SPRING - Conical, .270 I.D. x .530 I.D. x 19/32 O.A.L. | 2 |
| 4 | 192919 | SCREW - 1/4-28 x 7/8 | 2 |
| 5 | 014215 | SCREW - 10-32 x 3/8 | 4 |
| 6 | 009788 | BRACKET - Clamp, N.O.S. | 1 |
| 7 | 009780 | BRACKET - Clamp, Positioning | 1 |
| 8 | 001106 | SCREW - 10-32 x 5/16 | 2 |
| 9 | 018602 | BAR | 1 |
| 10 | 001060 | RING - Retaining, .208 I.D. | 2 |
| 11 | 194695 | PIN - Spring Anchor | 4 |
| 12 | 196425 | SCREW - Pivot | 1 |
| 13 | 018595 | BRACKET - Clamp, O.S. | 1 |
| 14 | 018594 | KNOB - Lateral Adjustment | 1 |
| 15 | 190329 | SPRING - Compression, 11/32 I.D. x 3/8 O.A.L. | 1 |
| 16 | 018596 | BRACKET - Lateral Adjustment | 1 |
| 17 | 014250 | SCREW - Cap, 8-32 x 3/8 | 2 |
| 18 | 014504 | RING - Retaining, .146 I.D. | 1 |
| 19 | 018593 | ECCENTRIC - Swivel Adjustment | 1 |
| 20 | 195837 | WASHER - 17/64 I.D. x 3/4 O.D. x .125 | 1 |
| 21 | 077836 | SPRING - Compression, 25/64 O.D. x 23/32 O.A.L. | 1 |
| 22 | 018599 | KNOB ASSEMBLY- Swivel Adjustment | 1 |
| 23 | 001207 | SCREW - Set, 8-32 x 3/16 | 1 |
| 25 | 021203 | WASHER - .255 I.D. x .500 O.D. | 1 |
| 26 | 001725 | WASHER - Spring, 17/64 I.D. x 7/16 O.D. | 1 |
| 27 | 009777 | LEVER - Lockout | 1 |
| 28 | 001095 | RING - Retaining, .245 I.D. | 1 |
| 29 | 009796 | LEVER | 1 |
| 30 | 014215 | SCREW - Cap, 10-32 x 3/8 | 4 |
| 31 | 001588 | SCREW - 10-32 x 1/4 | 4 |
| 32 | 080238 | SPRING - 17/64 I.D. x 2.000 O.A.L. | 2 |
| 33 | 018623 | CLAMP ASSEMBLY - Universal | 1 |
| 34 | 009757 | HINGE ASSEMBLY | 1 |
| 35 | 018604 | PLATE - Clamp | 1 |
| 36 | 018603 | BAR - Radial Adjustment | 1 |
| 37 | 009751 | MASTER CYLINDER | 1 |
| 38 | 009751 | HEAD CLAMP ASSEMBLY <u>402187 (SEE NOTE)</u> | 1 |

NOTE: ALSO NEED 402188 BRACKET - 1EA
197425 SPRINGS - 2EA

Parts Catalog

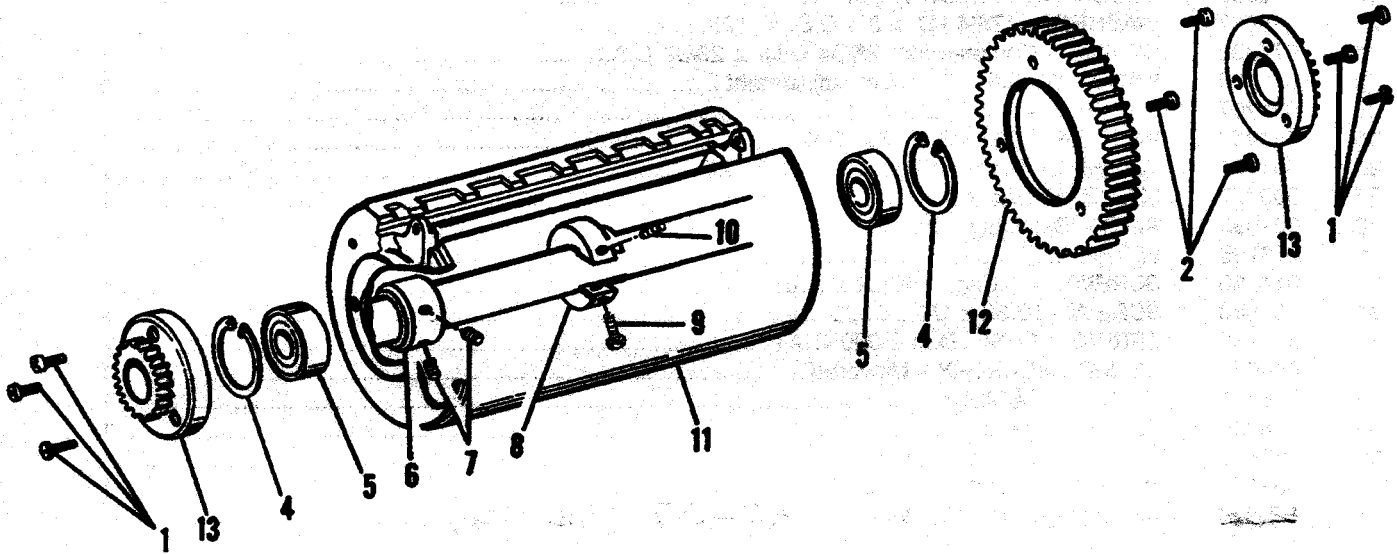


FIGURE 22
MODEL 9815/9850 Master Cylinder Assembly - Part II

Parts Catalog

| Index No. | Part No. | MODEL 9805/9850 Figure 22 Description | Units Per Assy. |
|-----------|----------|--|--------------------|
| 1 | 014111 | SCREW - 1/4-28 x 5/8 | 6 |
| 2 | 100653 | SCREW - 1/4-28 x 3/4 | 3 |
| 4 | 014516 | RING - Retaining, 2.742 O.D. | 2 |
| 5 | 080814 | BEARING | 2 |
| 6 | 080820 | COLLAR - Cylinder Locking | 1 |
| 7 | 014206 | SCREW - Set, 1/4-28 x 3/8 | 2 |
| 8 | 009794 | COLLAR ASSEMBLY | 1 |
| 9 | 100201 | SCREW - 1/4-28 x 7/8 | 1 |
| 10 | 100167 | SCREW - Set, 1/4-28 x 5/8 | 1 |
| 11 | 009751 | MASTER CYLINDER | 1 |
| 12 | 009791 | GEAR - Master Cylinder | 1 |
| 13 | 080910 | GEAR - Ducting Gear | 2 |

Parts Catalog

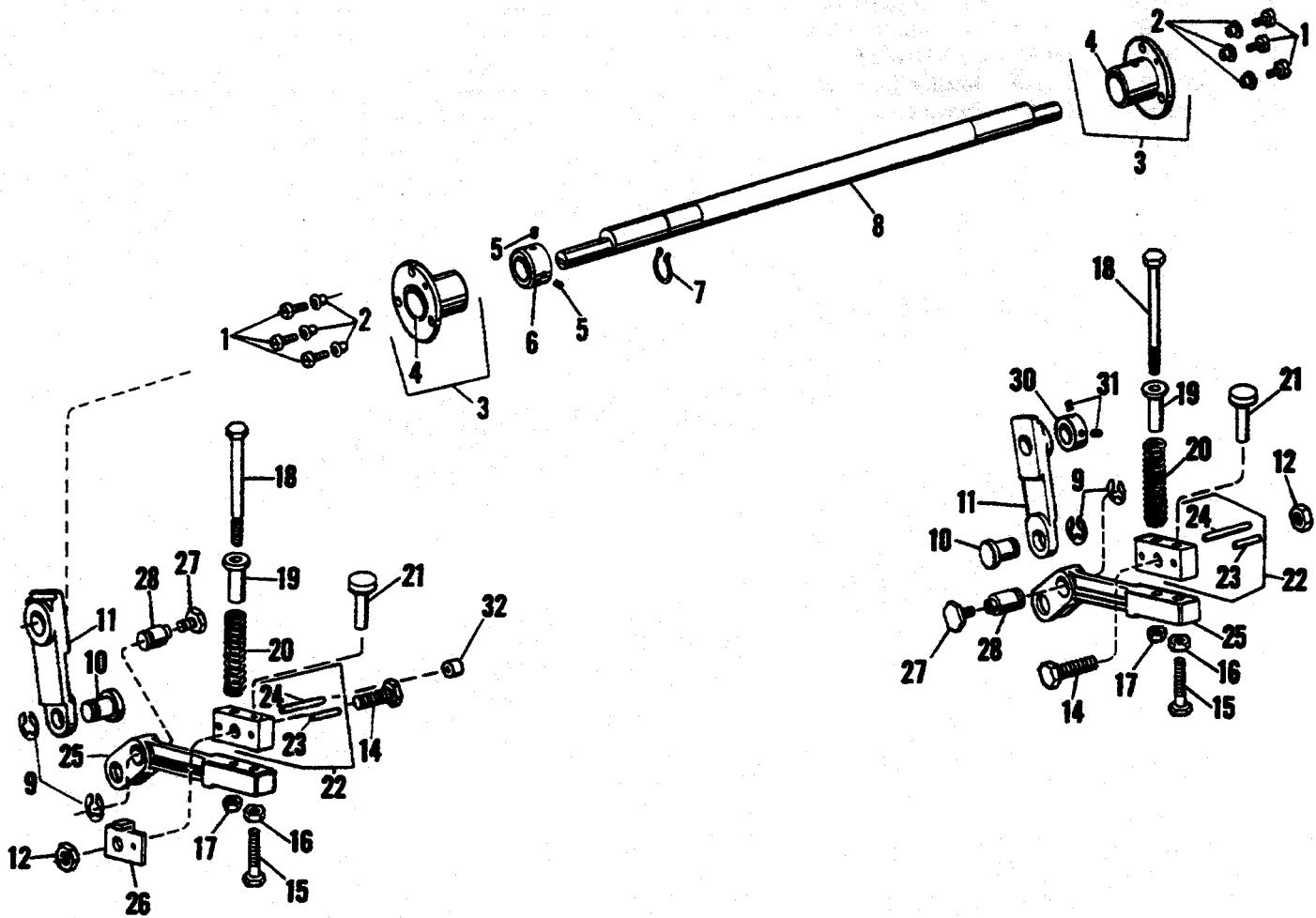


FIGURE 23
MODEL 9815/9850 Master Cylinder Shaft and Support Arms

Parts Catalog

| Index No. | Part No. | MODEL 9805/9850 Figure 23 Description | Units Per Assy. |
|-----------|----------|--|--------------------|
| 1 | 100141 | SCREW - 1/4-28 x 1/2 | 6 |
| 2 | 080972 | SPACER - Screw | 6 |
| 3 | 082057 | BEARING ASSEMBLY | 2 |
| 4 | 193603 | BUSHING - 1.126 I.D. x 1.315 O.D. x .630 O.A.L. | 1 |
| 5 | 014206 | SCREW - Set, 1/4-28 x 3/8 | 2 |
| 6 | 080820 | COLLAR - Cylinder Locking | 1 |
| 7 | 014517 | RING - Retaining, 1.066 I.D. | 1 |
| 8 | 007628 | SHAFT - Master Cylinder | 1 |
| 9 | 001094 | RING - Retaining, .394 I.D. | 4 |
| 10 | 072394 | PIVOT - Support Link | 2 |
| 11 | 080911 | LINK - Support | 2 |
| 12 | 150089 | NUT - 3/8-24 | 2 |
| 14 | 014121 | SCREW - 3/8-24 x 1-1/4 | 2 |
| 15 | 195721 | BOLT - 5/16-18 x 1-5/8 | 2 |
| 16 | 001834 | NUT - 5/16-18 | 2 |
| 17 | 001821 | NUT - 1/4-28 | 2 |
| 18 | 014172 | BOLT - 1/4-28 x 3-3/4 | 2 |
| 19 | 072416 | GUIDE - Spring | 2 |
| 20 | 194807 | SPRING - Comp., 39/64 O.D. x 1-1/8 O.A.L. (TD and CD) | 2 |
| 20 | 194808 | SPRING - Comp., 13/16 O.D. x 2-39/64 O.A.L. (QP,QPC and PRO) | 2 |
| 21 | 080447 | PIN - Separator | 2 |
| 22 | 010421 | BLOCK - Support Arm, Standard | 2 |
| 22 | 010372 | BLOCK - Support Arm, W/Gap Control | 2 |
| 23 | 001981 | PIN - Roll, .199 O.D. x .890 O.A.L. | 1 |
| 24 | 100131 | PIN - Roll, .199 O.D. x 1.230 O.A.L. | 1 |
| 25 | 083313 | SUPPORT ARM | 2 |
| 26 | 078346 | LEVER - Stop | 1 |
| 27 | 080715 | SCREW - Shoulder | 2 |
| 28 | 017077 | BEARING | 2 |
| 30 | 080956 | COLLAR - End Play | 1 |
| 31 | 014390 | SCREW - Set, 1/4-28 x 1/4 | 2 |
| 32 | 006774 | TUBING | 2 |

Parts Catalog

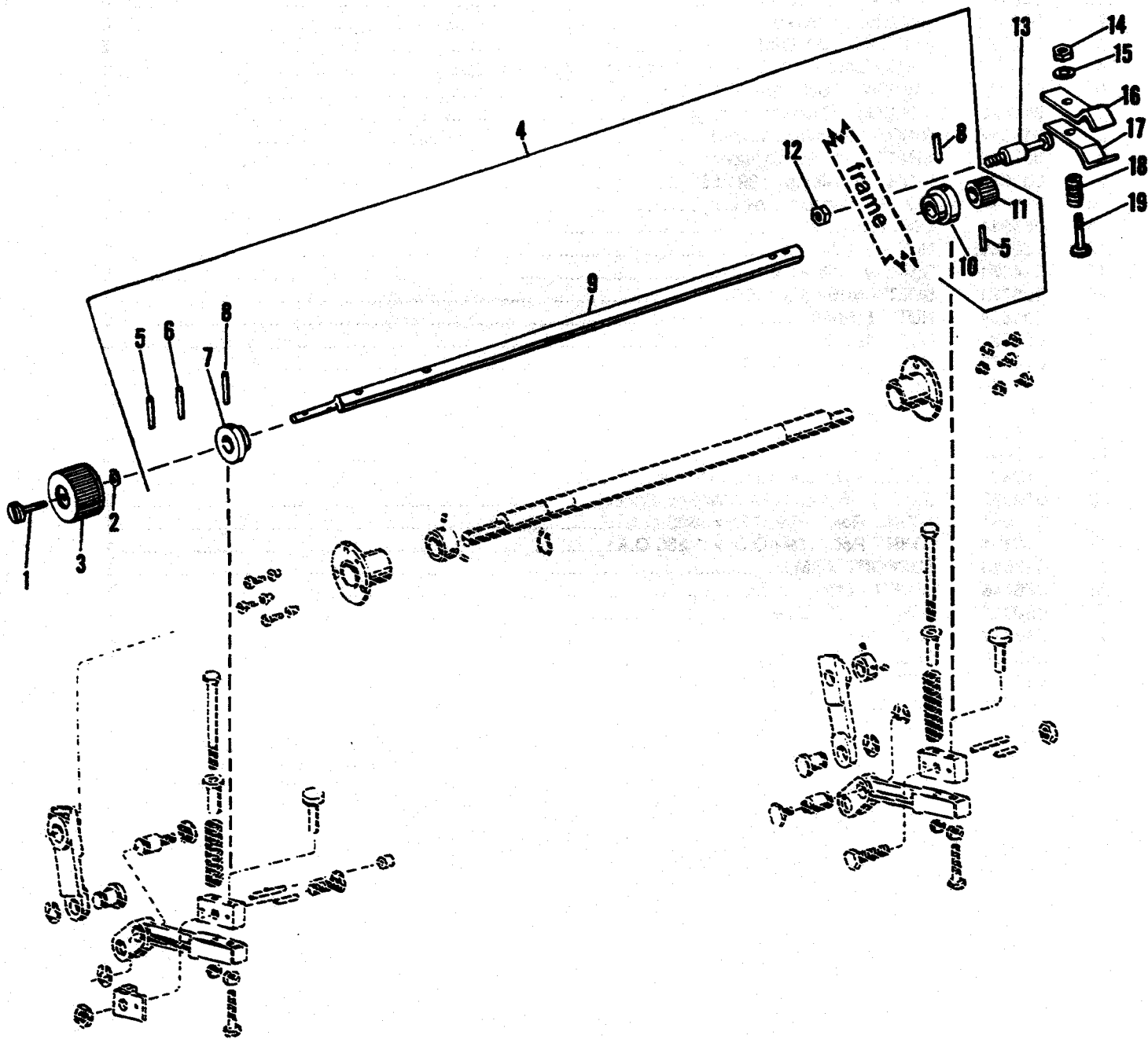


FIGURE 24
MODEL 9815/9850 Gap Control - Master Cylinder

Parts Catalog

| Index No. | Part No. | MODEL 9805/9850 Figure 24 Description | Units Per Assy. |
|-----------|----------|---|-----------------|
| 1 | 196246 | SCREW - Special, 10-32 x 3/4 | 1 |
| 2 | 039642 | RING - Vinyl, .235 I.D. x .075 | 1 |
| 3 | 017735 | KNOB | 1 |
| 4 | 078338 | SHAFT ASSEMBLY - Gap Control, QP, QPC and PRO | 1 |
| 5 | 001980 | PIN - Roll, .135 O.D. x .640 O.A.L. | 2 |
| 6 | 101876 | PIN - Roll, .135 O.D. x 1.575 O.A.L. | 1 |
| 7 | 080448 | CAM - O.S. | 1 |
| 8 | 001992 | PIN - Roll, .135 O.D. x 1.015 O.A.L. | 2 |
| 9 | *078337 | SHAFT - Gap Control | 1 |
| 10 | 080449 | CAM - N.O.S. | 1 |
| 11 | 073551 | DRAG - Gap Clamp | 1 |
| 12 | 150085 | NUT - 1/4-28 | 1 |
| 13 | 193323 | STUD - 1/4-28 | 1 |
| 14 | 101051 | NUT - 10-32 | 1 |
| 15 | 001702 | WASHER - .195 I. D. x .500 O.D. x .029 | 1 |
| 16 | 080452 | CLAMP - Upper | 1 |
| 17 | 080452 | CLAMP - Lower | 1 |
| 18 | 077836 | SPRING - Compression, .400 O.D. x .718 O.A.L. | 1 |
| 19 | 077301 | SCREW - Shoulder, 10-32 | 1 |

*Not Procurable Separately

Parts Catalog

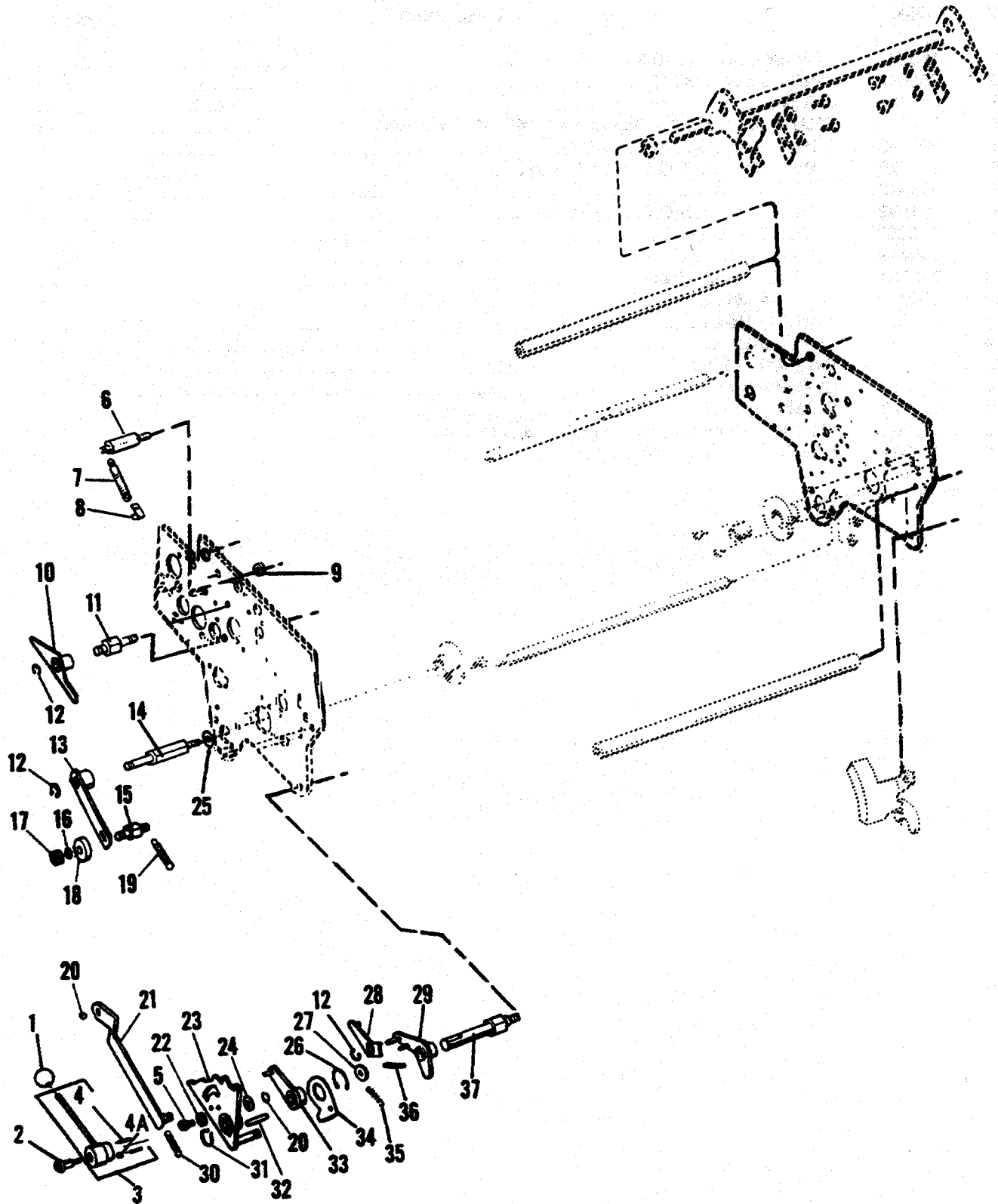


FIGURE 24A
MODEL 9805/9810 Operation Control Lever

Parts Catalog

| Index No. | Part No. | MODEL 9805/9850 Figure 24A Description | Units Per Assy. |
|-----------|-------------------------|---|-----------------|
| 1 | 017819 | KNOB | 1 |
| 2 | 196249 | SCREW - Shoulder, 1/4 - 28 | 1 |
| 3 | 017744 | LEVER - Control, 9805-9810 | 1 |
| 4 | 100827 14683 | PIN- Spiral, .168 O.D. x .635 O.A.L. | 2 |
| 4A | 194849 | INSERT | 2 |
| 5 | 014350 | SCREW - Cap, 10-32 x 5/16 | 1 |
| 6 | 075644 | STUD | 1 |
| 7 | 064589 | SPRING - Tension, .250 O.D. x 1.187 O.A.L. | 1 |
| 8 | 073107 | HOOK | 1 |
| 9 | 014808 | NUT - 10-32 | 1 |
| 10 | 071611 | LEVER | 1 |
| 11 | 191034 | STUD | 1 |
| 12 | 001060 | RING - Retaining, .208 I.D. | 2 |
| 13 | 071606 | LEVER | 1 |
| 14 | 191935 | STUD | 1 |
| 14 | 196823 | STUD - (Without Washer) | 1 |
| 15 | 191934 | STUD | 1 |
| 16 | 000666 | WASHER- Lock, .194 I.D. (Split) | 1 |
| 17 | 001812 | NUT - 10-32 | 1 |
| 18 | 064234 | TRUCK | 1 |
| 19 | 065402 | SPRING - Tension, .375 O.D. x 1.593 O.A.L. | 1 |
| 20 | 001095 | RING - Retaining, .245 I.D. | 2 |
| 21 | 071596 | LINK | 1 |
| 22 | 071610 | DISC | 1 |
| 23 | 071598 | CAM | 1 |
| 23 | 075537 | CAM - Alternate Sheetfeed | 1 |
| 24 | 018062 | WASHER - .328 I.D. | 1 |
| 25 | 190631 | WASHER - Spacer, .250 I.D. x .562 O.D. x .125 | 1 |
| 26 | 014520 | RING - Retaining, .683 I.D. | 1 |
| 27 | 014709 | WASHER - .767 I.D. | 1 |
| 28 | 071603 | LEVER | 1 |
| 29 | 071601 | LEVER | 1 |
| 30 | 073542 | SPRING - Tension, .390 O.D. x 1.821 O.A.L. | 1 |
| 31 | 001048 | RING - Retaining, .463 I.D. | 1 |
| 32 | 191939 | STUD | 1 |
| 33 | 076698 | LEVER | 1 |
| 34 | 076702 | LEVER | 1 |
| 35 | 193007 | SPRING - .250 O.D. x 1.140 O.A.L. | 1 |
| 36 | 022343 | SPRING - Tension, .187 O.D. x .687 O.A.L. | 1 |
| 37 | 084407 | SHAFT | 1 |

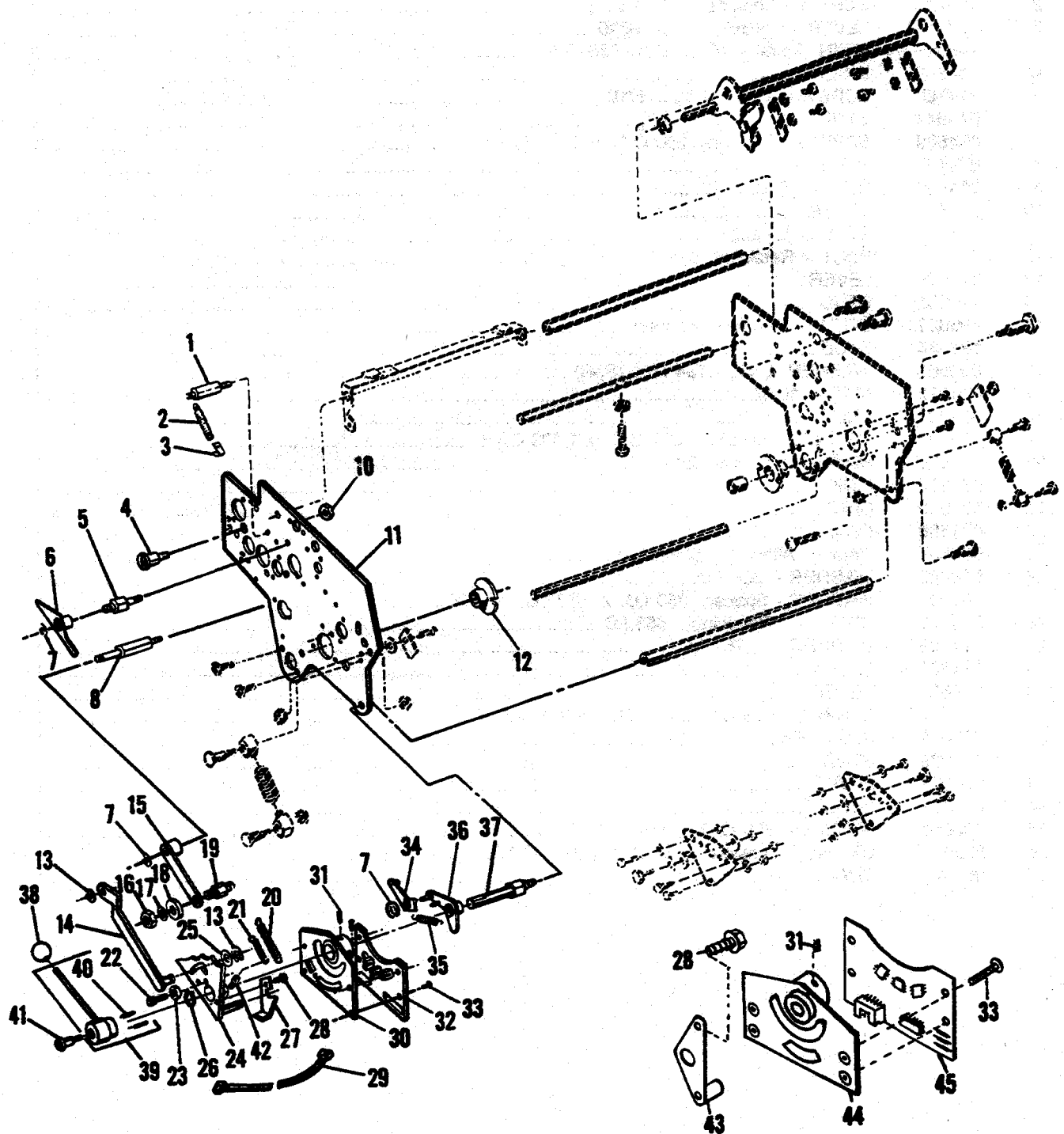


FIGURE 25
MODEL 9815/9850 Upper Side Frames and Associated Parts - Part I

Parts Catalog

| Index No. | Part No. | MODEL 9805/9850 Figure 25 Description | Units Per Assy. |
|-----------|--------------------------|---|-----------------|
| 1 | 075644 | STUD - Spring | 1 |
| 2 | 064589 | SPRING - Tension, .250 O.D. x 1.187 O.A.L. | 1 |
| 3 | 073107 | HOOK - Spring | 1 |
| 4 | 193601 | SCREW - Shoulder, 5/16-24 | 3 |
| 5 | 191034 | STUD - Lockout Lever, 1/4-28 | 1 |
| 6 | 071611 | LEVER - Aquamatic Lockout | 1 |
| 7 | 001060 | RING - Retaining, .208 I.D. | 3 |
| 8 | 196823 | STUD - Detent Lever | 1 |
| 10 | 014808 | NUT - 10-32 | 1 |
| 11 | 017517 | FRAME - Upper, O.S. | 1 |
| 11 | 016206 | FRAME - Upper, O.S. (Square Corners) | 1 |
| 12 | 074324 | BUSHING ASSEMBLY - Eccentric | 1 |
| 13 | 001095 | RING - Retaining, .245 I.D. | 2 |
| 14 | 071596 | LINK - Control | 1 |
| 15 | 071606 | LEVER - Detent | 1 |
| 16 | 001812 | NUT - 10-32 | 1 |
| 17 | 000666 | WASHER - Lock, .194 I.D. x .281 O.D. | 1 |
| 18 | 064234 | TRUCK - Detent Lever | 1 |
| 19 | 191934 | STUD - Spring | 1 |
| 20 | 065402 | SPRING - Tension, .375 O.D. x 1.593 O.A.L. | 1 |
| 21 | 073542 | SPRING - Tension, .390 O.D. x 1.281 O.A.L. | 1 |
| 22 | 014350 | SCREW - 10-32 x 5/16 | 1 |
| 23 | 071610 | DISC - Eccentric | 1 |
| 24 | 075537 | CAM - Sequence Control with Spring Stud | 1 |
| 25 | 018062 | WASHER - .328 I.D. x .625 O.D. | 1 |
| 26 | 001048 | RING - Retaining, .463 I.D. | 1 |
| 27 | 017654 | BLADE - Sensor, Optical | 1 |
| 28 | 100657 | SCREW - 10-32 x 5/16 | 1 |
| 29 | 017877 | CABLE ASSEMBLY | 1 |
| 30 | 017650 | PLATE ASSEMBLY- Sensor, Optical | 1 |
| 31 | 014372 | SCREW - Set, 10-32 x 1/4 | 2 |
| 32 | 017756 | P.C. BOARD ASSEMBLY - Sensor, Optical | 1 |
| 33 | 001541 | SCREW - 6-32 x 1/4 | 4 |
| 34 | 016941 | LEVER - Overtravel | 1 |
| 35 | 022343 | SPRING - 3/16 O.D. x 29/32 O.A.L. | 1 |
| 36 | 016942 | LEVER - Image Control | 1 |
| 37 | 084407 | STUD | 1 |
| 38 | 017819 | KNOB | 1 |
| 39 | 017744 | LEVER - Control, (9815/9850) | 1 |
| 40 | 499827 146031 | PIN - Spiral, .168 O.D. x .635 O.A.L. | 2 |
| 41 | 196249 | SCREW - Shoulder, 1/4-28 | 1 |
| 43 | 017481 | MAGNET ASSEMBLY - Hall Effect | 1 |
| 44 | 017477 | PLATE ASSEMBLY - Sensor, Hall Effect | 1 |
| 45 | 017734 | P.C. BOARD ASSEMBLY- Sensor, Hall Effect | 1 |

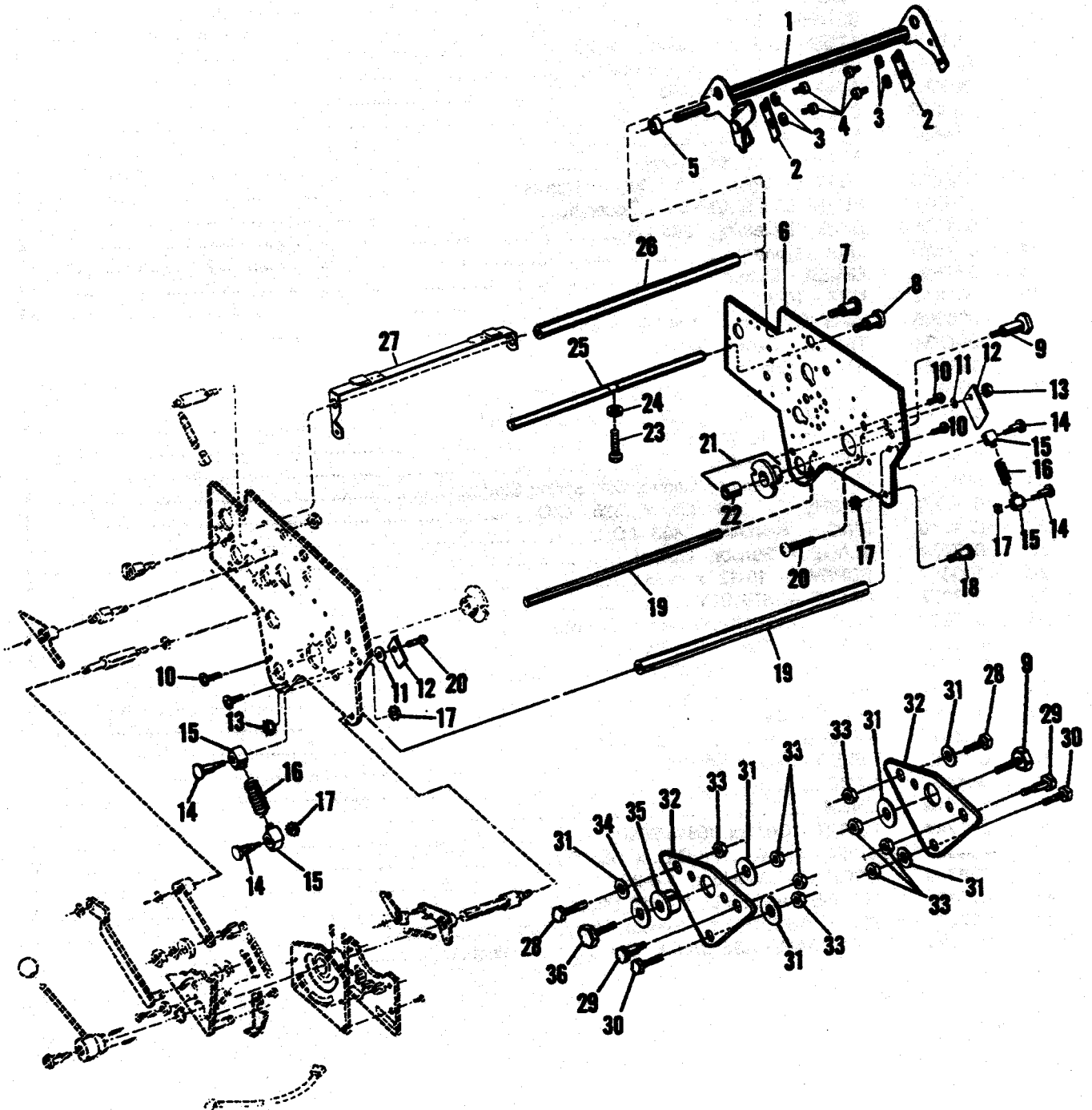


FIGURE 26
MODEL 9815/9850 Upper Side Frames and Associated Parts - Part II

Parts Catalog

| Index No. | Part No. | MODEL 9805/9850 Figure 26 Description | Units Per Assy. |
|-----------|----------|--|-----------------|
| 1 | 017793 | LEVER AND SHAFT ASSEMBLY | 1 |
| 2 | 073524 | SLIDE - Adjustment | 2 |
| 3 | 021861 | WASHER - .196 I.D. x .437 O.D. | 4 |
| 4 | 014350 | SCREW - 10-32 x 5/16 | 4 |
| 5 | 075643 | SPACER - Aquamatic Blockout Assembly (TD and CD) | 1 |
| 6 | 017021 | FRAME - Upper, N.O.S. | 1 |
| 6 | 016207 | FRAME - Upper, N.O.S. (Square Corners) | 1 |
| 7 | 078660 | STUD - Pivot, 5/16-24 | 1 |
| 8 | 196264 | SCREW - Dowel, 1/4-28 | 2 |
| 9 | 073140 | SCREW - Pivot, 3/8-24 x 5/8 | 1 |
| 10 | 111054 | SCREW - 10-32 x 1/2 | 4 |
| 11 | 021268 | WASHER - .265 I.D. x .437 O.D. | 3 |
| 12 | 007745 | GUIDE | 3 |
| 13 | 150085 | NUT - 1/4-28 | 3 |
| 13 | 150083 | NUT - 10-32 (9860/9810 XCD) | 1 |
| 14 | 072349 | SCREW - Eccentric, 1/4-28 | 4 |
| 15 | 072389 | BLOCK - Eccentric, Spring | 4 |
| 16 | 072424 | SPRING - Compression, .537 O.D. x 1.343 O.A.L. | 2 |
| 17 | 014807 | NUT - 1/4-28 | 4 |
| 18 | 193601 | SCREW - Shoulder, 5/16-24 | 2 |
| 19 | 007575 | TIE BAR | 2 |
| 20 | 111074 | SCREW - 1/4-28 x 3/4 | 3 |
| 20 | 014203 | SCREW - N.O.S. (9860/9810XCD) | 1 |
| 21 | 074323 | BUSHING ASSEMBLY - N.O.S. | 1 |
| 22 | 014606 | BUSHING - .629 I.D. x .753 O.D. x .630 O.A.L. | 1 |
| 23 | 079862 | SCREW - Adjusting, 10-32 x 1-1/4 | 1 |
| 24 | 079863 | KNOB | 1 |
| 25 | 017996 | TIE BAR | 1 |
| 26 | 008024 | TIE BAR | 1 |
| 27 | 007582 | REST ASSEMBLY - (TD and CD) | 1 |
| 28 | 191427 | SCREW - Shoulder, 3/8-24 | 2 |
| 29 | 194823 | SCREW - Shoulder, 3/8-24 | 2 |
| 30 | 111099 | SCREW - 3/8-24 x 7/8 | 2 |
| 31 | 191428 | WASHER - .510 I.D. x 1.000 O.D. | 6 |
| 32 | 076825 | PLATE - Head Support | 2 |
| 33 | 150089 | NUT - 3/8-24 | 6 |
| 34 | 021911 | WASHER - .578 I.D. x .875 O.D. | 1 |
| 35 | 084289 | BUSHING - Eccentric | 1 |
| 36 | 084291 | SCREW - Shoulder, 3/8-24 | 1 |

Parts Catalog

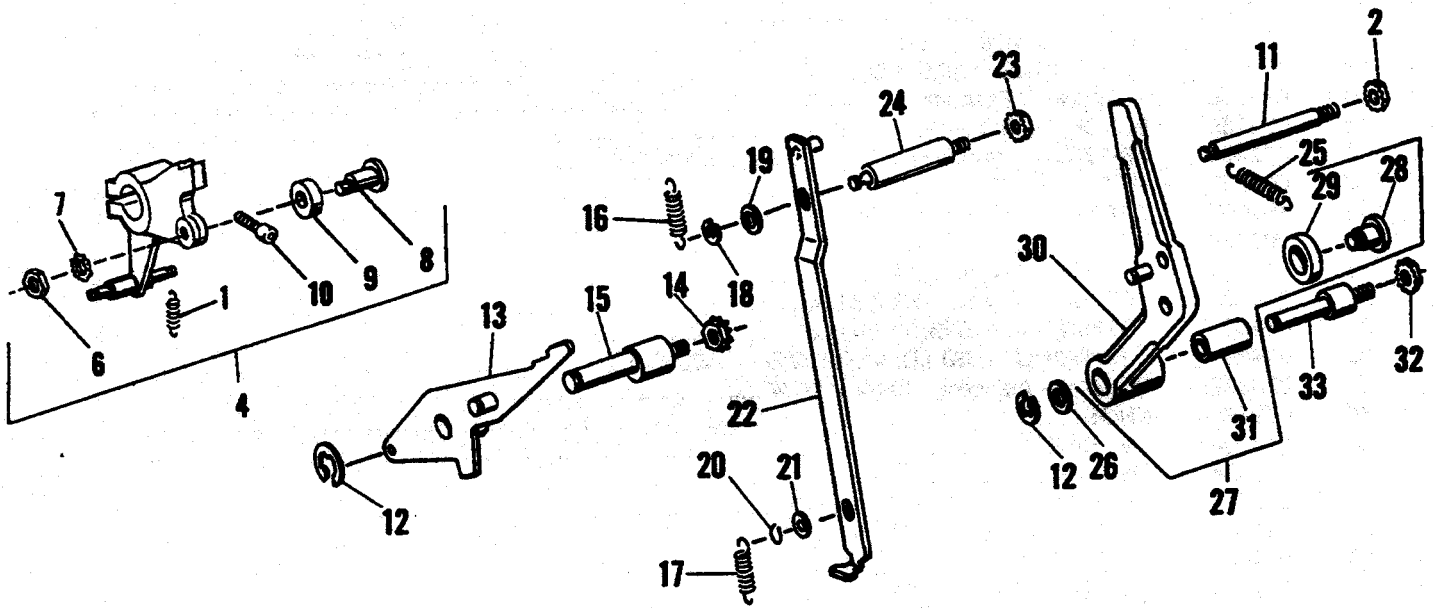


FIGURE 27
MODEL 9815/9850 Master Cylinder Lever Assemblies

Parts Catalog

| Index No. | Part No. | MODEL 9805/9850 Figure 27 Description | Units Per Assy. |
|-----------|----------|--|-----------------|
| 1 | 190148 | SPRING - Tension, .406 O.D. x 2.312 O.A.L. | 1 |
| 4 | 017627 | LEVER ASSEMBLY - Master Cylinder | 1 |
| 6 | 001818 | NUT - 1/4-28 | 1 |
| 7 | 001740 | WASHER - Lock, .262 I.D. x .500 O.D. x .025 | 1 |
| 8 | 072357 | SCREW - Master Cylinder Lever, Eccentric | 1 |
| 9 | 072358 | SPACER - Master Cylinder Lever Screw | 1 |
| 10 | 100891 | SCREW - 1/4-20 x 1.000 | 1 |
| 11 | 072129 | STUD - Power Lever Spring | 1 |
| 12 | 001080 | RING - Retaining, .302 I.D. x .660 O.D. x .037 | 2 |
| 13 | 072370 | LATCH LEVER ASSEMBLY - Master Cylinder | 1 |
| 14 | 001821 | NUT - 1/4-28 | 1 |
| 15 | 072373 | STUD - Latch Lever | 1 |
| 16 | 072511 | SPRING - Tension, .250 O.D. x 1.125 O.A.L. | 1 |
| 17 | 041777 | SPRING - Tension, .312 O.D. x 1.344 O.A.L. | 1 |
| 18 | 001060 | RING - Retaining, .208 I.D. x .527 O.D. x .027 | 3 |
| 19 | 021203 | WASHER - .254 I.D. x .500 O.D. x .029 | 1 |
| 20 | 001062 | RING - Retaining, .250 I.D. x .027 | 1 |
| 21 | 016574 | WASHER - .315 I.D. x .687 O.D. x .047 | 1 |
| 22 | 072386 | LATCH LINK ASSEMBLY - Master Cylinder | 1 |
| 23 | 150085 | NUT - 1/4-28 | 1 |
| 24 | 017578 | STUD - Latch Link | 1 |
| 24 | 072388 | STUD - Latch Link (Model 9805/9810) | 1 |
| 25 | 072442 | SPRING - Tension, .343 O.D. x 2.000 O.A.L. | 1 |
| 26 | 014727 | WASHER - .382 I.D. x .750 O.D. x .029 | 1 |
| 27 | 072040 | POWER LEVER ASSEMBLY- Master Cylinder | 1 |
| 28 | 192323 | SCREW - Eccentric | 1 |
| 29 | 072367 | TRUCK | 1 |
| 30 | *072038 | POWER LEVER | 1 |
| 31 | 001446 | BUSHING - .379 I.D. x .503 O.D. x .875 O.A.L. | 1 |
| 32 | 150085 | NUT - 1/4-28 | 1 |
| 33 | 072369 | STUD - Power Lever | 1 |

*Not Procurable Separately

Parts Catalog

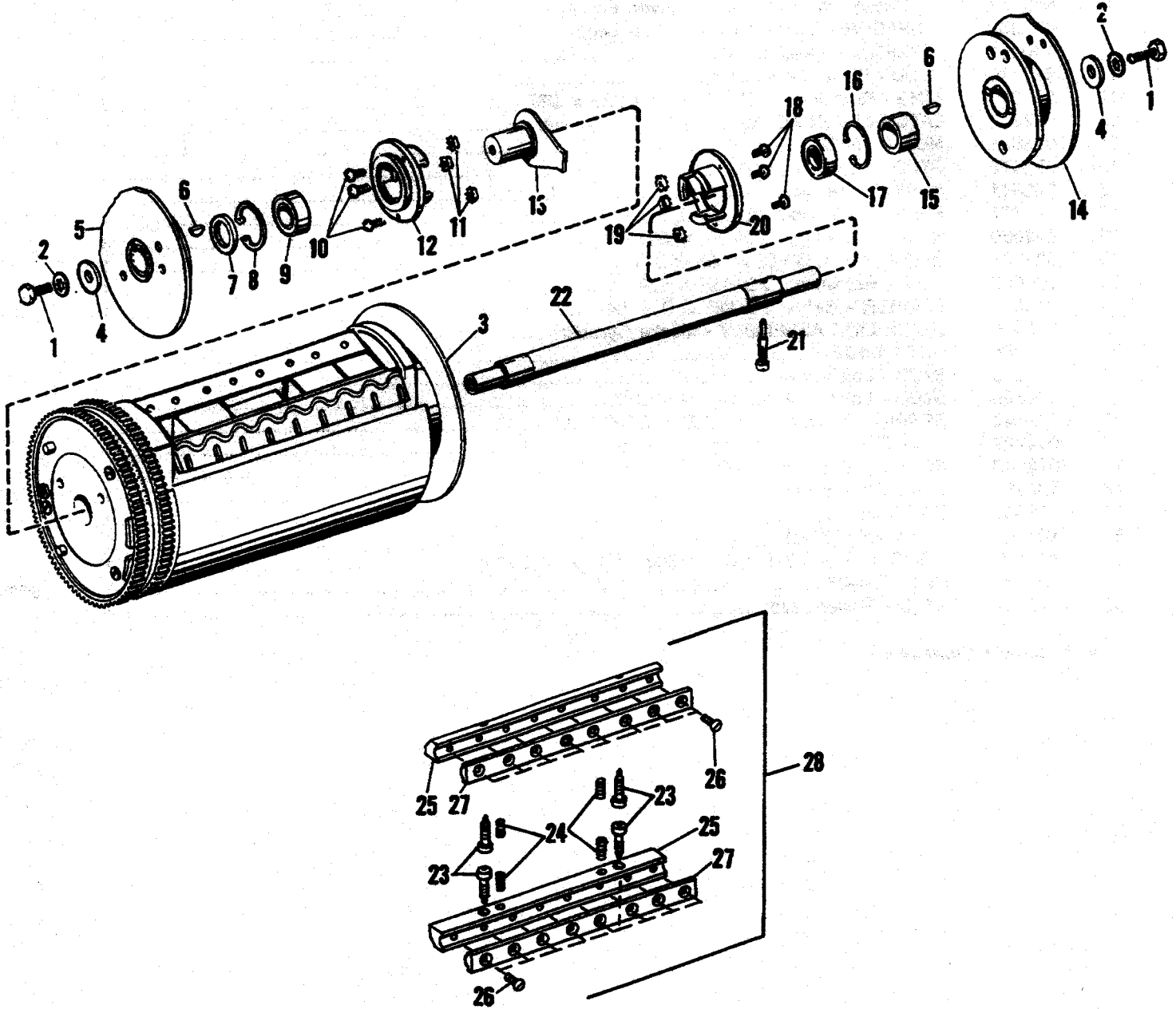


FIGURE 28
MODEL 9815/9850 Blanket Cylinder Assembly

Parts Catalog

1981-1983 87111

| Index No. | Part No. | MODEL 9805/9850 Figure 28 Description | Units Per Assy. |
|-----------|-----------|---|-----------------|
| 1 | 014192 | SCREW - 5/16-24 x 3/4 | 2 |
| 2 | 014721 | WASHER - Lock, .326 I.D. x .600 O.D. x .030 | 2 |
| 3 | ***009550 | CYLINDER ASSEMBLY - Blanket | 1 |
| 4 | 014748 | WASHER - .328 I.D. x 1.250 O.D. x .093 | 2 |
| 5 | 009667 | CAM ASSEMBLY - Blanket Cylinder N.O.S. (9815/9850) | 1 |
| 5 | 078532 | CAM ASSEMBLY - Blanket Cylinder N.O.S. (9805-9810) | 1 |
| 6 | 078527 | KEY - Woodruff, #505 | 2 |
| 7 | 078551 | SPACER - 1.000 I.D. x 1.500 O.D. x .259 | 1 |
| 8 | 001066 | RING - Retaining, Internal, 2.320 O.D. x .081 | 1 |
| 9 | 078520 | BEARING - .984 I.D. x 2.047 O.D. | 1 |
| 10 | 111057 | SCREW - 10-32 x 3/4 | 3 |
| 11 | 150083 | NUT - 10-32 | 3 |
| 12 | 400781 | HOUSING - L.H., Bearing | 1 |
| 13 | 082103 | ARM ASSEMBLY - Blanket Cylinder | 1 |
| 14 | 017840 | CAM ASSEMBLY - Blanket Cylinder O.S. (9815/9850) | 1 |
| 14 | 076083 | CAM ASSEMBLY - Blanket Cylinder O.S. (9805/9810) | 1 |
| 15 | 078524 | SPACER - 51/64 I.D. x 1.250 O.D. x .547 | 1 |
| 16 | 001065 | RING - Retaining, Internal, 2.089 O.D. x .065 | 1 |
| 17 | 078714 | BEARING - .787 I.D. x 1.850 O.D. | 1 |
| 18 | 111055 | SCREW - 10-32 x 9/16 | 3 |
| 19 | 150083 | NUT - 10-32 | 3 |
| 20 | 082171 | HOUSING - R.H., Bearing | 1 |
| 21 | 080718 | SCREW - Special, 3/8-24 x 1-7/16 | 1 |
| 22 | 007633 | SHAFT - Blanket Cylinder | 1 |
| 23 | 190236 | SCREW - 1/4-28 x 1-1/2 | 4 |
| 24 | 014313 | SCREW - Set, 1/4-28 x 1.000 | 4 |
| 25 | 007767 | CLAMP - Body | 2 |
| 26 | 014151 | SCREW - 10-32 x 1/2 | 20 |
| 27 | 007766 | CLAMP TOP | 2 |
| 28 | 018405 | BLANKET BAR KIT | 1 |
| 29 | 100392 | BLANKET SCREW INSERTS - 3/8-16 x .370 (Not Illustrated) | 4 |

***Not Available As An Assembly

Parts Catalog

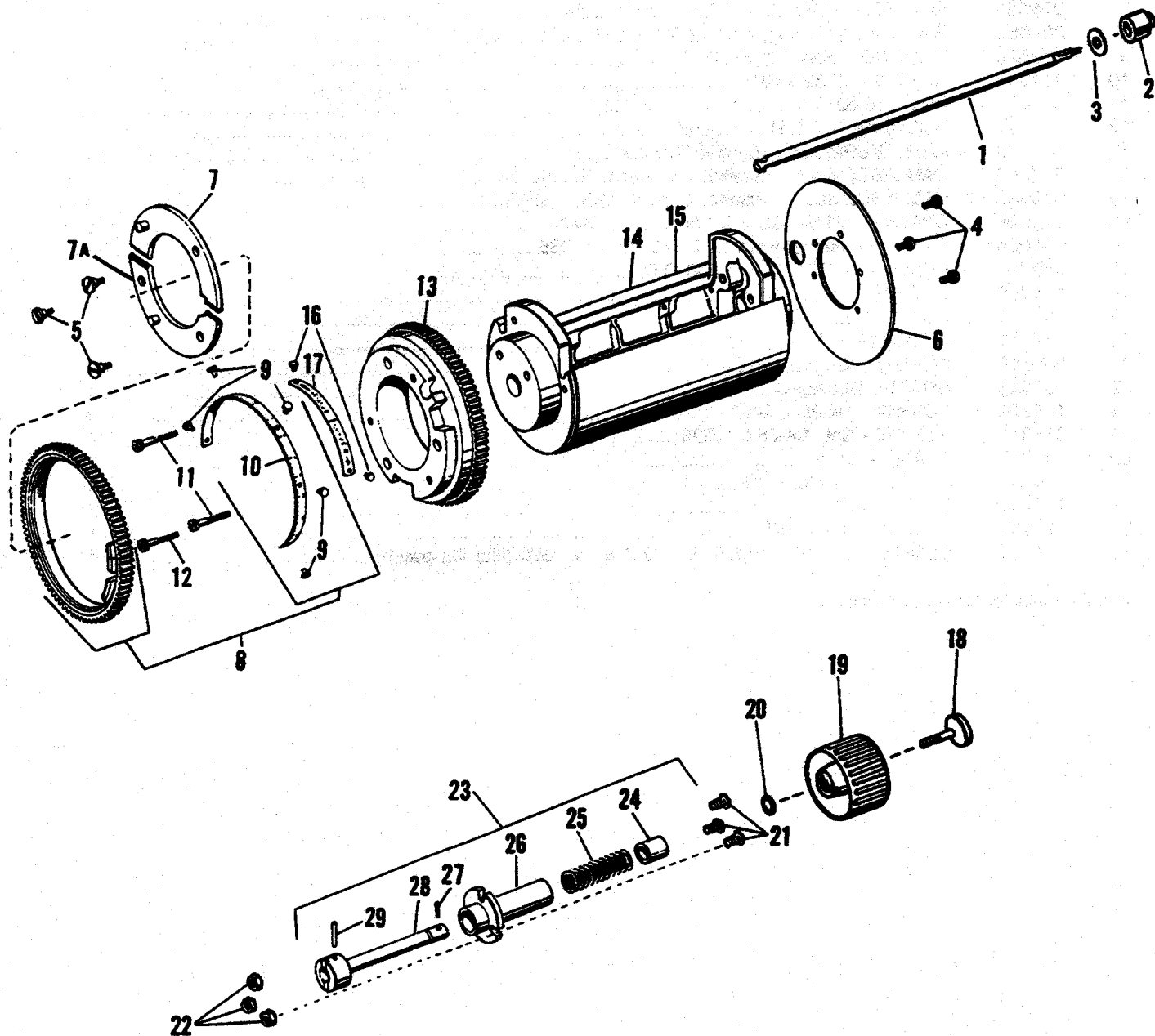
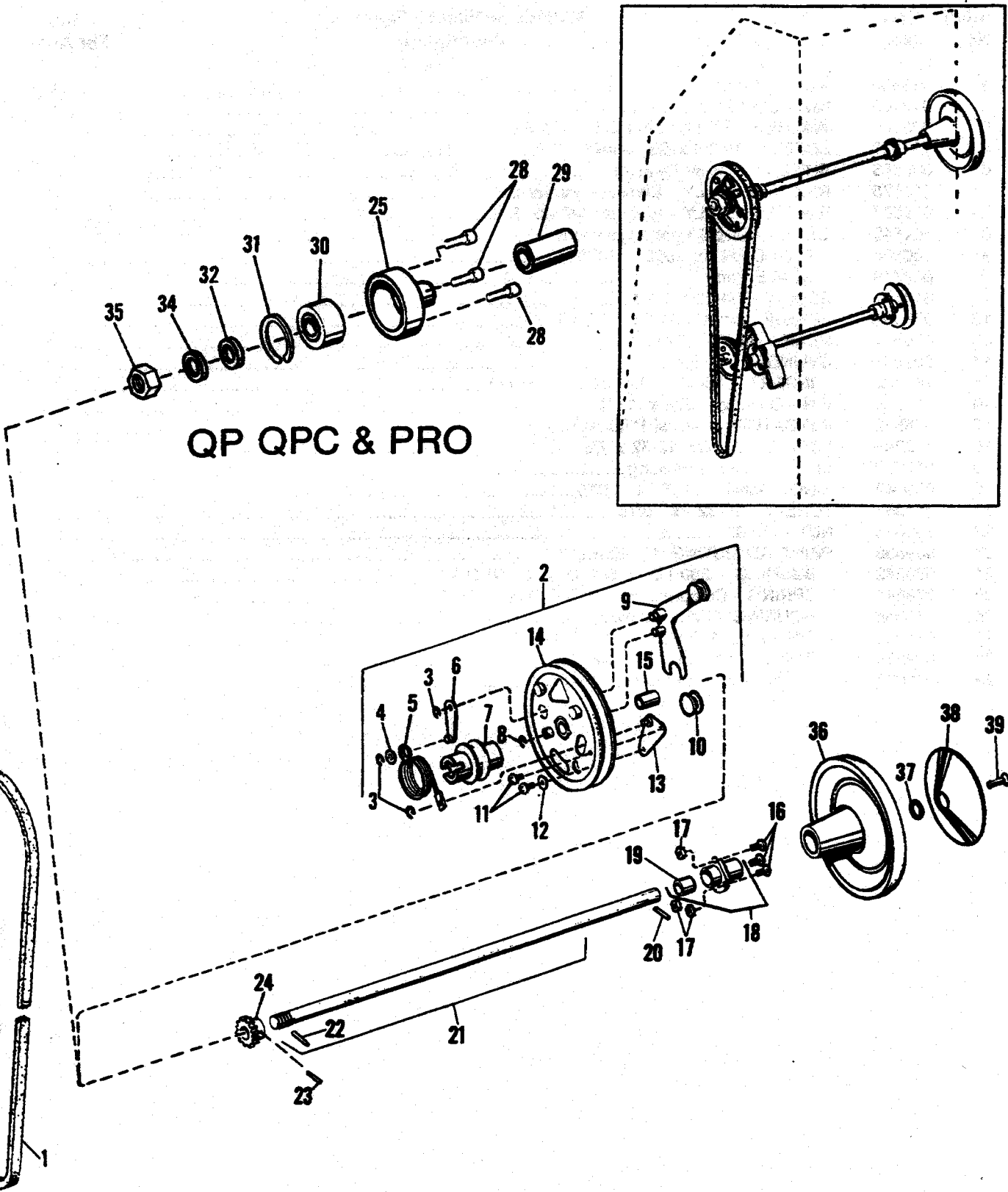


FIGURE 29
MODEL 9815/9850 Print Adjusting and Blanket Cylinder Assembly

Parts Catalog

| Index No. | Part No. | MODEL 9805/9850 Figure 29 Description | Units Per Assy. |
|-----------|----------|---|-----------------|
| 1 | 018580 | ROD - Clamp | 1 |
| 2 | 018469 | NUT- 3/8-40 | 1 |
| 3 | 003586 | WASHER - 7/8 I.D. x 3/4 O.D. x 1/16 | 1 |
| 4 | 111073 | SCREW - 1/4-28 x 5/8, Shield | 3 |
| 6 | 009553 | SHIELD - Blanket Cylinder | 1 |
| 7 | 018575 | RING ASSEMBLY - Blanket Cylinder L.H. | 1 |
| 7A | 018577 | RING ASSEMBLY - Blanket Cylinder R.H. | 1 |
| 8 | 009548 | GEAR - Vertical Print Adjustment | 1 |
| 9 | 100508 | PIN - Driv-Loc, .060 x .1875 | 5 |
| 10 | 080719 | SCALE- Inch | 1 |
| 11 | 014157 | SCREW - 1/4-28 x 1-1/4 | 2 |
| 12 | 078556 | SCREW - Dowel, 1/4-28 x 1-3/16 | 1 |
| 13 | 009554 | GEAR - Blanket Cylinder | 1 |
| 14 | 009551 | CYLINDER - Blanket | 1 |
| 15 | 100392 | INSERT - 3/8-16 x .370 (Not Illustrated) | 4 |
| 16 | 014570 | PIN - Driv-Loc, .076 x .1875 | 2 |
| 17 | 078552 | INDICATOR - Vertical Print Adjusting | 1 |
| 18 | 196248 | SCREW - Special, 10-32 x 7/8 | 1 |
| 19 | 017739 | KNOB - Print Adjusting | 1 |
| 20 | 039642 | RING - Vinyl, .135 x .075 | 1 |
| 21 | 111055 | SCREW - 10-32 x 9/16 | 3 |
| 22 | 150083 | NUT - 10-32 | 3 |
| 23 | 009558 | PRINT ADJUSTING ASSEMBLY | 1 |
| 24 | 078542 | BUSHING - .380 I.D. x .562 O.D. x .750 O.A.L. | 1 |
| 25 | 078541 | SPRING - Compression, .510 O.D. x 1.156 O.A.L. | 1 |
| 26 | 076856 | HOUSING - Print Adjusting | 1 |
| 27 | 014921 | PIN - Roll, .135 O.D. x .890 O.A.L. | 1 |
| 28 | 009559 | ROD ASSEMBLY - Print Adjusting | 1 |
| 29 | 001987 | PIN - Roll, .167 O.D. x .890 O.A.L. | 1 |



QP QPC & PRO

FIGURE 30
MODEL 9815/9850 Clutch Assembly and Drive Shaft

Parts Catalog

| Index No. | Part No. | MODEL 9805/9850 Figure 30 Description | Units Per Assy. |
|-----------|----------|--|-----------------|
| 1 | 078580 | BELT - Drive, 115 V. 60 Hz., (4L-51" Circum) QP, QPC & PRO ^{TOP PCS} BELT DIRECTLY TO MOTOR | 1 |
| 1 | 196773 | BELT - Drive, 115 V. 60 Hz., (4L-50" Circum) BELT TO MOTOR - CABLE SPEED CONTROL | 1 |
| 1 | 072668 | BELT - Drive, 115 V. 60 Hz., (3L-50") Circum, TD and CD NARROW W/ CRANK | 1 |
| 2 | 079871 | CLUTCH ASSEMBLY - QP, QPC and PRO (4L Belt) 5/8" | 1 |
| 2 | 077237 | CLUTCH ASSEMBLY - TD and CD (3L Belt) 1/2" | 1 |
| 3 | 001097 | RING - Snap, .186 I.D. x .437 O.D. x .027 | 3 |
| 4 | 015213 | WASHER - .223 I.D. x .375 O.D. x .029 | 1 |
| 5 | 073488 | SPRING - Torsion, Clutch | 1 |
| 6 | 041695 | LINK - Weight Lever | 1 |
| 7 | 400525 | DRUM - Clutch, QP, QPC and PRO ^{TOP PCS} | 1 |
| 7 | 072675 | PINION - Clutch, TD and CD | 1 |
| 8 | 001095 | RING - Snap, .254 I.D. x 1/2 O.D. x .027 | 1 |
| 9 | 077234 | LEVER - Weight | 1 |
| 10 | 077233 | WEIGHT - Sliding | 1 |
| 11 | 001690 | SCREW - 10-32 x 5/16 | 2 |
| 12 | 001702 | WASHER - .195 ID. x 1/2 O.D. .031 | 1 |
| 13 | 072680 | PLATE - Spring, Adjusting | 1 |
| 14 | 077329 | PULLEY - Clutch, TD and CD (3L Belt) | 1 |
| 14 | 079872 | PULLEY - Clutch, QP, QPC and PRO (4L Belt) | 1 |
| 15 | 079868 | BUSHING - .815 I.D. x .940 O.D. x 7.8 O.A.L., QP, QPC and PRO | 1 |
| 15 | 001473 | BUSHING - .503 I.D. x .625 O.D. x 3/4 O.A.L., TD and CD | 1 |
| 16 | 111055 | SCREW - 10-32 x 9/16 | 3 |
| 17 | 150083 | NUT - 10-32 | 3 |
| 18 | 080247 | HOUSING ASSEMBLY - Drive Shaft Bearing R.H., QP, QPC & PRO | 1 |
| 18 | 007623 | HOUSING ASSEMBLY - Drive Shaft Bearing R.H., TD and CD | 1 |
| 19 | *194801 | BUSHING - TD and CD | 1 |
| 20 | 101331 | PIN - Spiral, .168 O.D. x .885 O.A.L. | 1 |
| 21 | 016922 | SHAFT ASSEMBLY - Drive, QP, QPC and PRO (5/8" Diameter) | 1 |
| 21 | 016924 | SHAFT ASSEMBLY - Drive, TD and CD (1/2" Diameter) | 1 |
| 22 | 001981 | PIN - Roll, .199 O.D. x .827 O.A.L., TD and CD | 1 |
| 22 | 001986 | PIN - Roll, .199 O.D. x .952 O.A.L., QP, QPC and CD | 1 |
| 23 | 101331 | PIN - Roll, .161 O.D. x .885 O.A.L., TD and CD | 1 |
| 23 | 014972 | PIN - Roll, .194 O.D. x .947 O.A.L., QP, QPC and PRO | 1 |
| 24 | 080191 | GEAR - Drive Shaft, QP, QPC and PRO | 1 |
| 24 | 072669 | GEAR - Drive Shaft, TD and CD | 1 |
| 25 | 080522 | HOUSING ASSEMBLY - Drive Shaft Bearing L.H. QP, QPC and PRO | 1 |
| 25 | 007603 | HOUSING ASSEMBLY - Drive Shaft Bearing L.H., TD and CD | 1 |
| 26 | *194801 | BUSHING - TD and CD | 1 |
| 27 | 014248 | NUT - 10-32 | 3 |
| 28 | 001555 | SCREW - 10-32 x 1/2 | 3 |
| 28 | 100185 | SCREW - Socket Head, 10-32 x .438, QP, QPC and PRO | 3 |
| 29 | 191481 | SLEEVE - QP, QPC and PRO | 1 |
| 30 | 190179 | BEARING - QP, QPC and PRO | 1 |
| 31 | 100646 | RING - Retaining Internal, 1.769 O.D. x .047, QP, QPC & PRO | 1 |
| 32 | 079866 | SPACER - QP, QPC and PRO | 1 |
| 34 | 014799 | WASHER - .515 I.D. x 7/8 O.D. x .058, QP, QPC and PRO | 1 |
| 35 | 196221 | NUT - 1/2-20, QP, QPC and PRO | 1 |
| 36 | 016907 | HANDWHEEL | 1 |
| 37 | 001781 | RING - Radial, .331 I.D. x .027 | 1 |
| 38 | 071398 | DISC - Handwheel | 1 |
| 39 | 195088 | SCREW - Shoulder, 10-32 x 15/16, QP, QPC and PRO | 1 |
| 39 | 195370 | SCREW - Shoulder, 10-32 x 9/16, TD and CD | 1 |

*Not Procurable Separately

For Other Than 115 V. 60 Hz. or 115 V. 50/60 Hz. Dual Usage

| | | | |
|---|--------|--|---|
| 1 | 076203 | BELT - Drive, 220/240 V. 50 Hz. (50-1/2" Circum) | 1 |
|---|--------|--|---|

Parts Catalog

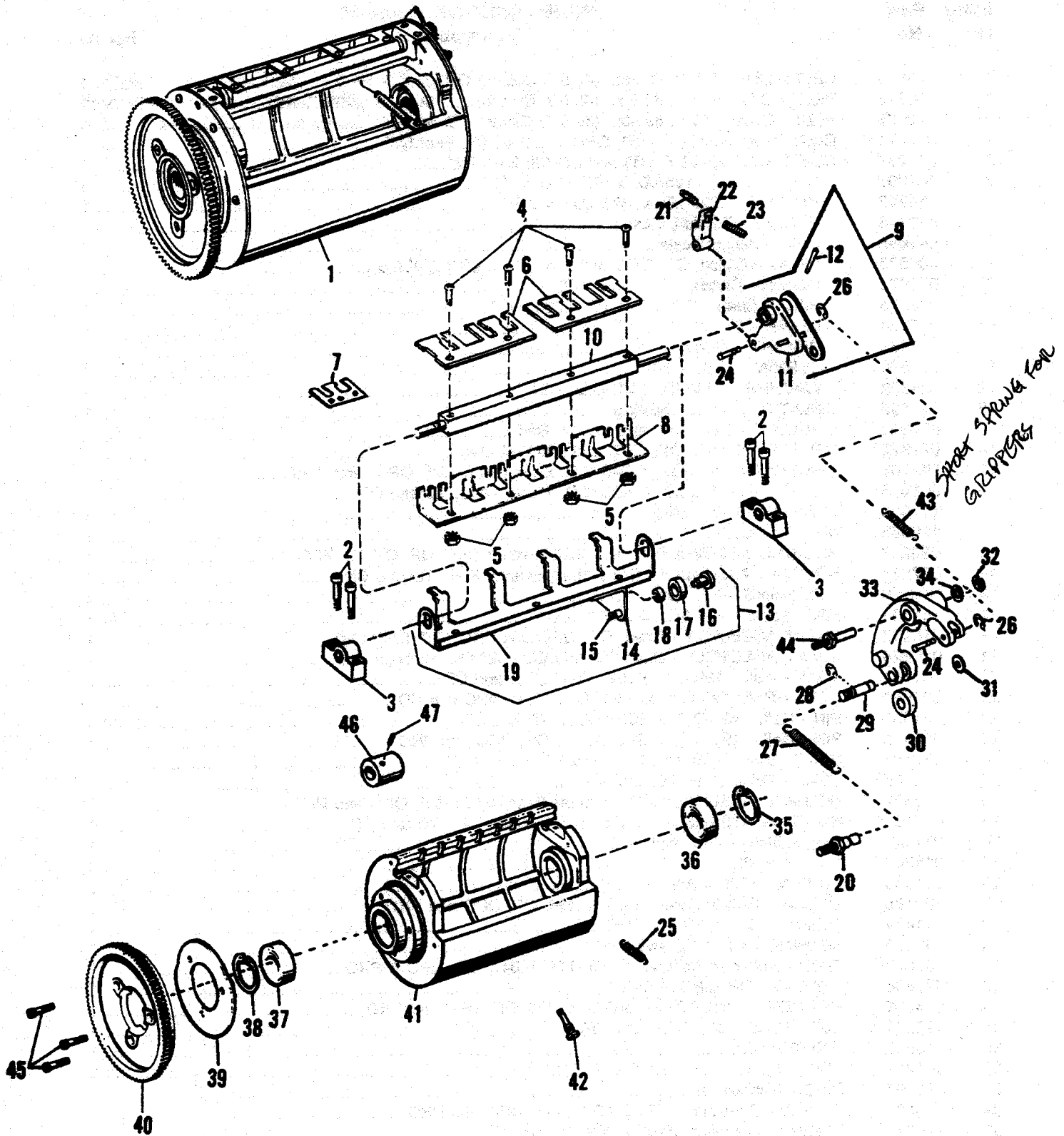


FIGURE 31
MODEL 9815/9850 Impression Cylinder Assembly

Parts Catalog

| Index No. | Part No. | MODEL 9805/9850 Figure 31 Description | Units Per Assy. |
|-----------|-----------|---|-----------------|
| 1 | ***009650 | CYLINDER ASSEMBLY - Impression, CD, QPC & PRO | 1 |
| 1 | ***009670 | CYLINDER ASSEMBLY - Impression, TD & QP | 1 |
| 2 | 014165 | SCREW - 1/4-28 x 1.000 | 4 |
| 3 | 007764 | BEARING BLOCK - Gripper | 2 |
| 4 | 014205 | SCREW - 10-32 x 13/16 | 6 |
| 5 | 014808 | NUT- 10-32 | 6 |
| 6 | 007731 | FINGER - Gripper Impression Cylinder | 2 |
| 7 | 007986 | FINGER - Gripper Impression Cylinder | 1 |
| 8 | 007984 | PAPER STOP - Gripper Impression Cylinder | 1 |
| 9 | 007613 | GRIPPER SHAFT ASSEMBLY | 1 |
| 10 | *007614 | GRIPPER SHAFT | 1 |
| 11 | *007664 | LEVER ASSEMBLY | 1 |
| 12 | 190111 | PIN - Taper | 1 |
| 13 | 007762 | STRIPPER FINGER ASSEMBLY (TD Only) | 1 |
| 14 | *078729 | ARM - Truck | 1 |
| 15 | *070226 | STUD - Spring | 1 |
| 16 | 072441 | RIVET | 1 |
| 17 | 072367 | TRUCK | 1 |
| 18 | 072366 | BUSHING | 1 |
| 19 | *007763 | FINGER - Stripper | 1 |
| 20 | 191360 | STUD - Spring | 1 |
| 21 | 100130 | SCREW - Set, 10-32 x 1.000 | 1 |
| 22 | 081104 | ARM - Overload | 1 |
| 23 | 190135 | SPRING - Compression, .350 O.D. x 1.000 O.A.L. x .045 | 1 |
| 24 | 194804 | PIN - Special | 2 |
| 25 | 078744 | SPRING - Tension, .406 O.D. x 1.937 O.A.L. x .049 | 1 |
| 26 | 014504 | RING - Retaining, .146 I.D. x .338 O.D. x .027 | 2 |
| 27 | 191401 | SPRING - Tension, 13/32 O.D. x 1-5/16 O.A.L. x .036 | 1 |
| 28 | 001095 | RING - Retaining, .250 I.D. x 1/2 O.D. x .027 | 1 |
| 29 | 082131 | PIN - Special | 1 |
| 30 | 081106 | TRUCK - Special | 1 |
| 31 | 190107 | TRUCK - .190 I.D. x 1/2 O.D. x .240 | 1 |
| 32 | 001075 | RING - Retaining, .397 I.D. x .037 | 1 |
| 33 | 082135 | ARM - Operating | 1 |
| 34 | 190149 | WASHER - .440 I.D. x 11/16 O.D. x .029 | 1 |
| 35 | 014516 | RING - Retaining, 2-7/16 O.D. x .081 | 1 |
| 36 | 080814 | BEARING - Ball, 1.1811 I.D. x 2.440 O.D. x .6299 | 1 |
| 37 | 078520 | BEARING - Ball, .9843 I.D. x 2.0472 O.D. x .5906 | 1 |
| 38 | 001066 | RING - Retaining, 2.250 O.D. x .081 | 1 |
| 39 | 078712 | CAM | 1 |
| 40 | 009652 | GEAR - Impression Cylinder | 1 |
| 41 | 009651 | CYLINDER - Impression, CD, QPC & PRO | 1 |
| 41 | 009671 | CYLINDER - Impression, TD & QP | 1 |
| 42 | 076100 | SPRING ANCHOR | 1 |
| 43 | 193982 | SPRING - Tension, .312 O.D. x .781 O.A.L. x .031 | 1 |
| 44 | 196669 | STUD - Tray | 1 |
| 44 | 191361 | STUD - Chain | 1 |
| 45 | 014157 | SCREW - 1/4-28 x 1-1/4 | 3 |
| 46 | 082128 | COLLAR - 1-11/16 O.D. x 1.183 I.D. x 2-5/32 O.A.L. | 1 |
| 47 | 014206 | SCREW - Set, 1/4-28 x 3/8 | 2 |

*Not Procurable Separately

***Not Available As An Assembly

Parts Catalog

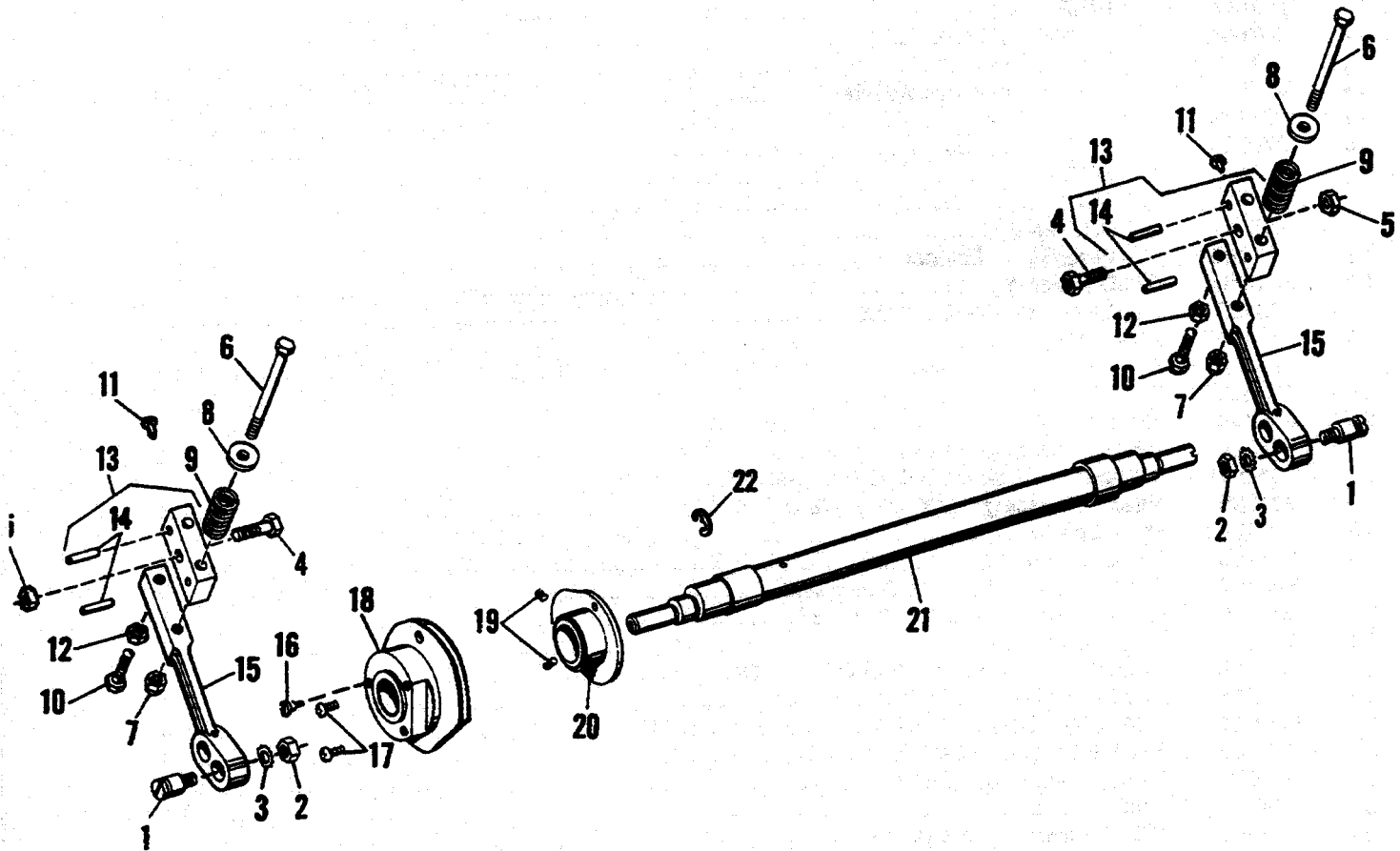


FIGURE 32
MODEL 9815/9850 Impression Cylinder Shaft and Support Arms

Parts Catalog

| Index No. | Part No. | MODEL 9805/9850 Figure 32 Description | Units Per Assy. |
|-----------|----------|--|--------------------|
| 1 | 080496 | STUD - Support Arm..... | 2 |
| 2 | 001845 | NUT - 3/8-24..... | 2 |
| 3 | 080495 | WASHER - Lock, 25/64 I.D. x 1-1/4 O.D. x .119..... | 2 |
| 4 | 014121 | SCREW - 3/8-24 x 1.000..... | 2 |
| 5 | 150089 | NUT - 3/8-24..... | 2 |
| 6 | 014172 | SCREW - 1/4-28 x 3/4..... | 2 |
| 7 | 001821 | NUT - 1/4-28..... | 2 |
| 8 | 080621 | GUIDE - Support Arm Spring..... | 2 |
| 9 | 078728 | SPRING - Compression..... | 2 |
| 10 | 014173 | SCREW - 5/16-18 x 1-1/4..... | 2 |
| 11 | 080447 | PIN - Separator..... | 2 |
| 12 | 001840 | NUT - 5/16-18..... | 2 |
| 13 | 080486 | BLOCK ASSEMBLY - Support Arm, Impression Cylinder..... | 2 |
| 14 | 001981 | PIN - Roll, .199 O.D. x .827 O.A.L..... | 2 |
| 15 | 080498 | SUPPORT ARM - Impression Cylinder..... | 2 |
| 16 | 016158 | SCREW - Shoulder, 10-32 x .273..... | 1 |
| 17 | 001649 | SCREW - 10-32 x .500..... | 2 |
| 18 | 007729 | CAM ASSEMBLY - Gripper, TD & QP..... | 1 |
| 18 | 082129 | CAM ASSEMBLY - Gripper, CD, QPC & PRO..... | 1 |
| 19 | 100296 | SCREW - Set, 1/4-28 x .500 Sq. Hd..... | 2 |
| 20 | 081037 | CAM ASSEMBLY - Stripper, TD & QP..... | 1 |
| 21 | 007609 | SHAFT - Impression Cylinder..... | 1 |
| 22 | 014517 | RING - Retaining, 1.039 I.D. x .052..... | 1 |

Parts Catalog

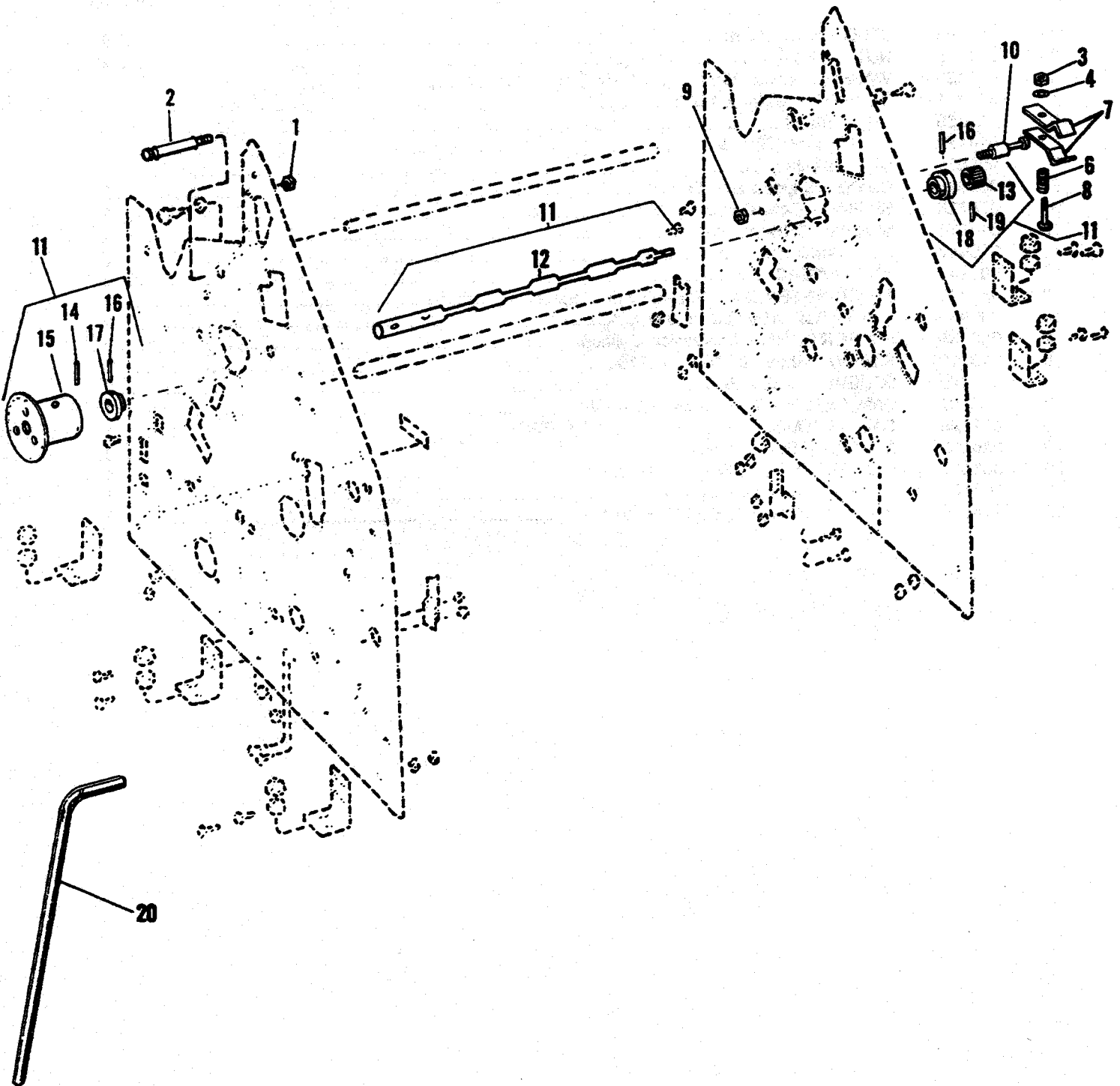


FIGURE 33
MODEL 9815/9850 Gap Control - Impression Cylinder

Parts Catalog

| Index No. | Part No. | MODEL 9805/9850 Figure 33 Description | Units Per Assy. |
|-----------|----------|--|-----------------|
| 1 | 014808 | NUT - 10-32 | 1 |
| 2 | 190768 | STUD - 10-32 | 1 |
| 3 | 101051 | NUT - 10-32 | 1 |
| 4 | 001702 | WASHER - .195 I.D. x .500 O.D. x .029 | 1 |
| 6 | 077836 | SPRING - Compression, .400 O.D. x .718 O.A.L. | 1 |
| 7 | 080452 | CLAMP - W/Teeth | 2 |
| 8 | 077301 | SCREW - Shoulder, 10-32 | 1 |
| 9 | 150085 | NUT - 1/4-28 | 1 |
| 10 | 193323 | STUD - 1/4-28 | 1 |
| 11 | 017815 | SHAFT ASSEMBLY - Gap Control | 1 |
| 12 | *017816 | SHAFT - Gap Control | 1 |
| 13 | 073551 | DRAG - Gap Clamp | 1 |
| 14 | 141573 | PIN - Roll, .199 O.D. x .890 O.A.L. | 1 |
| 15 | *072169 | DIAL | 1 |
| 16 | 001992 | PIN - Roll, .135 O.D. x 1.015 O.A.L. | 2 |
| 17 | 080448 | CAM - R.H. | 1 |
| 18 | 080449 | CAM - L.H. | 1 |
| 19 | 001980 | PIN - Roll, .135 O.D. x .640 O.A.L. | 1 |
| 20 | 196334 | Allen Key For Adjusting Gap Control | 1 |

*Not Procurable Separately

Parts Catalog

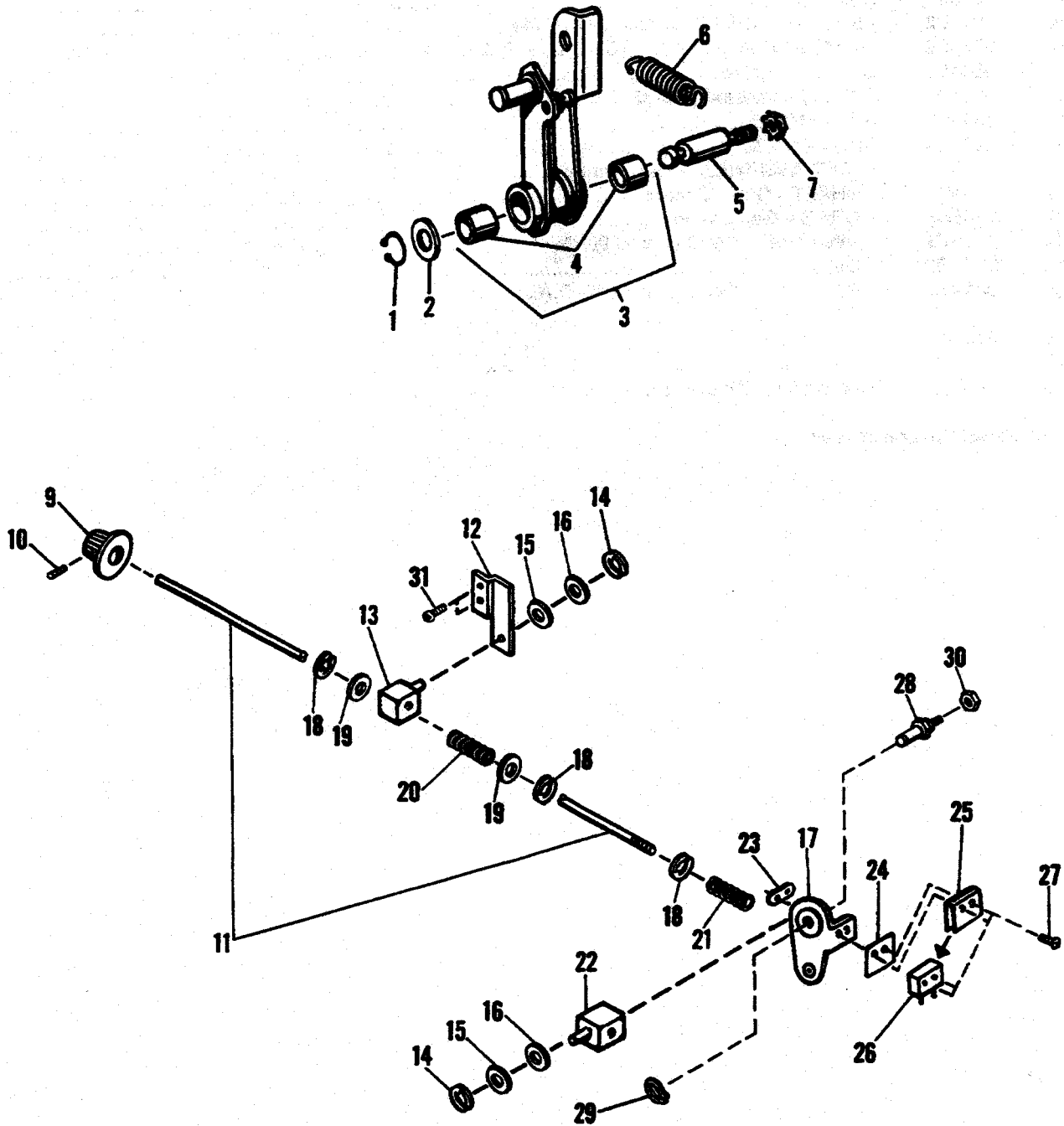


FIGURE 34
MODEL 9815/9850 Doubles Detector Switch Assembly

Parts Catalog

| Index No. | Part No. | MODEL 9805/9850 Figure 34 Description | Units Per Assy. |
|-----------|-----------|--|-----------------|
| 1 | 001075 | RING - Retaining, .397 I.D. x .027 | 1 |
| 2 | 190149 | WASHER - .441 I.D. x .687 O.D. x .029 | 1 |
| 3 | 072239 | DOUBLE LEVER ASSEMBLY - Feed Forwarding | 1 |
| 4 | 001412 | BUSHING - .441 I.D. x .565 O.D. x .375 O.A.L. | 2 |
| 5 | 196233 | STUD - Double Lever | 1 |
| 6 | 072442 | SPRING - Tension, .343 I.D. x 2.000 O.A.L. x .040 | 1 |
| 7 | 150085 | NUT - 1/4-28 | 1 |
| 8 | ***017015 | DOUBLES DETECTOR SWITCH ASSEMBLY - (Old Design) | 1 |
| 9 | 016916 | KNOB | 1 |
| 10 | 001207 | SCREW - Set, 8-32 x 3/16 | 1 |
| 11 | 016920 | ROD - Detector Switch Adj. | 1 |
| 12 | 011945 | BRACKET - Detector Adj. Rod | 1 |
| 13 | 011946 | ANCHOR - Pivot Detector Adj. Rod | 1 |
| 14 | 100740 | RING - Retaining, .357 I.D. x .045 T | 2 |
| 15 | 014727 | WASHER - .375 I.D. x 3/4 O.D. | 2 |
| 16 | 001772 | WASHER - Friction, .376 I.D. x 3/4 O.D. | 2 |
| 17 | 011943 | BRACKET ASSEMBLY - Detector Switch | 1 |
| 18 | 001060 | RING - Retaining, .208 I.D. x .027 T | 3 |
| 19 | 005071 | WASHER - .252 I.D. x 1/2 O.D. | 3 |
| 20 | 042135 | SPRING - Plunger, .295 I.D. x 11/16 O.A.L. | 1 |
| 21 | 192035 | SPRING - Compression, .359 O.D. x 1.000 O.A.L. | 1 |
| 22 | 011948 | PIVOT - Detector Adj. Rod | 1 |
| 23 | 190483 | NUT PLATE - 2-56 | 1 |
| 24 | 017159 | INSULATOR - Switch Detector | 1 |
| 25 | 192855 | INSULATOR - Switch | 1 |
| 26 | 253025 | SWITCH - S.P.D.T., 1 Amp., 125 VAC | 1 |
| 27 | 100490 | SCREW - 2-56 x 1/2 | 2 |
| 28 | 196331 | STUD - Detector Switch Pivot, QPC and PRO (Old Design) | 1 |
| 28 | 193658 | STUD - Detector Switch Pivot, QP (Old Design) | 1 |
| 29 | 014511 | RING - Retaining, .430 I.D. x .027 | 1 |
| 30 | 154078 | NUT - Lock, 1/4-28 | 1 |
| 31 | 001586 | SCREW - 8-32 x 5/16 (Old Design) | 2 |

***Not Available As An Assembly

Parts Catalog

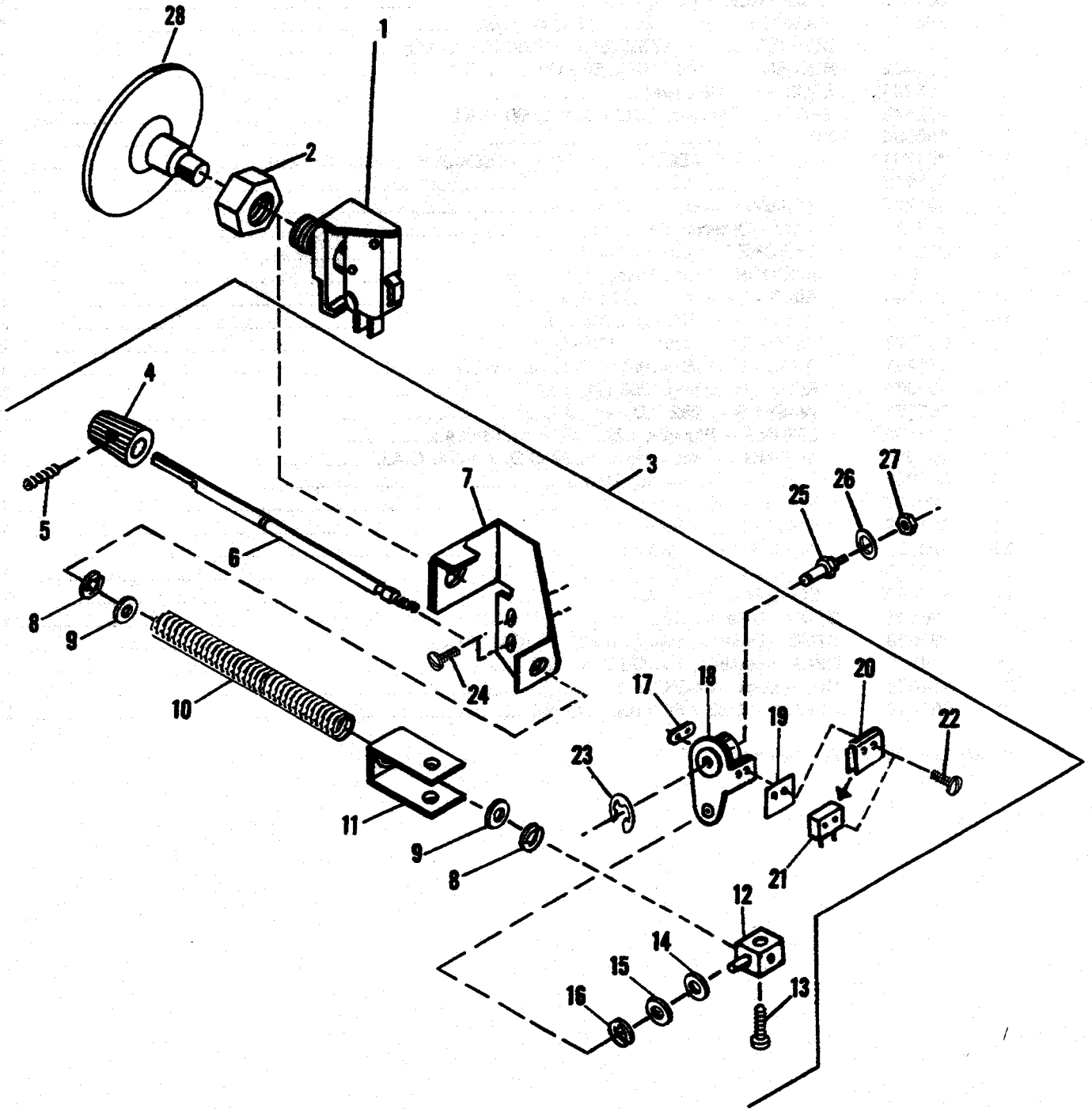


FIGURE 34A
MODEL 9815/9850 Emergency Stop and Doubles Detector Switches

Parts Catalog

| Index No. | Part No. | MODEL 9805/9850 Figure 34A Description | Units Per Assy. |
|-----------|-----------|--|-----------------|
| 1 | 253853 | SWITCH ASSEMBLY - Emergency Stop | 1 |
| 2 | 195983 | NUT - 15/32-32 x .562 O.A.L. | 1 |
| 3 | ***016740 | SWITCH ASSEMBLY - Doubles Detector | 1 |
| 4 | 016916 | KNOB | 1 |
| 5 | 001207 | SCREW - Set, 8-32 x 3/16 | 1 |
| 6 | 016541 | ROD - Detector Switch Adj. | 1 |
| 7 | 018558 | BRACKET - Mounting | 1 |
| 7 | 087755 | BRACKET - Mounting (New Design) | 1 |
| 8 | 001049 | RING - Retaining, .227 I.D. x .027 | 2 |
| 9 | 005071 | WASHER - .252 I.D. x .500 O.D. | 2 |
| 10 | 196423 | SPRING - Compression, 25/64 O.D. x 5" O.A.L. | 1 |
| 11 | 016741 | BRACKET - Stop | 1 |
| 12 | 011948 | PIVOT - Detector Adj. Rod | 1 |
| 13 | 001588 | SCREW - 10-32 x 1/4 | 2 |
| 14 | 001772 | WASHER - Friction, .376 I.D. x .750 O.D. | 1 |
| 15 | 014727 | WASHER - .375 I.D. x .750 O.D. | 1 |
| 16 | 100740 | RING - Retaining, .357 I.D. x .045 | 1 |
| 17 | 190483 | NUT PLATE - 2-56 | 1 |
| 18 | 016739 | BRACKET ASSEMBLY - Switch Mount | 1 |
| 19 | 017159 | INSULATOR - Switch Detector | 1 |
| 20 | 192855 | INSULATOR - Switch | 1 |
| 21 | 253025 | SWITCH - S.P.D.T., 1 Amp. 125 VAC | 1 |
| 22 | 100490 | SCREW - 2-56 x 1/2 | 2 |
| 23 | 014511 | RING - Retaining, .430 I.D. x .027 | 1 |
| 24 | 001589 | SCREW - 8-32 x 1/4 | 2 |
| 25 | 296421 | STUD - Switch Pivot, QPC & PRO | 1 |
| 25 | 196420 | STUD - Switch Pivot, QP (Not Illustrated) | 1 |
| 26 | 061452 | SPACER - QPC & PRO | 1 |
| 27 | 154078 | NUT - Lock, 1/4-28, QPC & PRO | 1 |
| 27 | 078363 | PIVOT - Cradle Arm, QP (Not Illustrated) | 1 |
| 28 | 022843 | BUTTON - Switch, Screw Type | 1 |

***Not Available As An Assembly

Parts Catalog

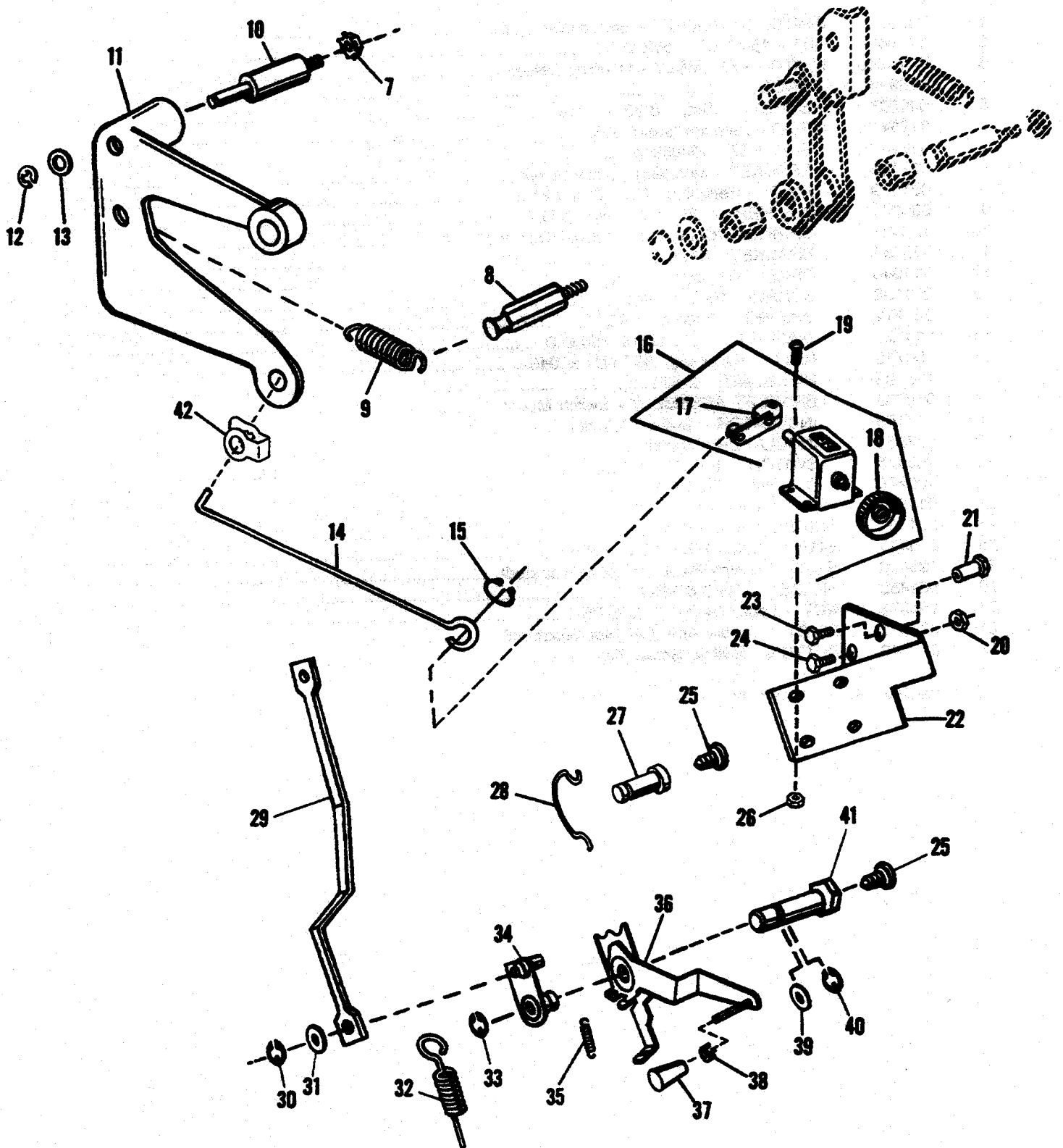


FIGURE 34B
MODEL 9805/9810 Counter and Feed Levers

parts catalog...

| Index No. | Part No. | MODEL 9805/9850 Figure 34B Description | Units Per Assy. |
|-----------|----------|---|-----------------|
| 7 | 150085 | NUT - 1/4-28 | 1 |
| 8 | 196461 | STUD - Spring, Anchor | 1 |
| 9 | 196430 | SPRING - Tension, .359 O.D. x 3.000 O.A.L. x .049 | 1 |
| 10 | 72440 | STUD | 1 |
| 11 | 10163 | LEVER | 1 |
| 12 | 1095 | RING - Retaining, .245 I.D. x .500 O.D. x .027 | 1 |
| 13 | 1766 | WASHER - .325 I.D. x .500 O.D. | 1 |
| 14 | 10166 | ROD - Counter | 1 |
| 15 | 14464 | RING - Grip, .240 I.D. | 1 |
| 16 | 72426 | COUNTER ASSEMBLY | 1 |
| 17 | 72429 | LEVER | 1 |
| 18 | 72537 | WHEEL - Reset (ROOT) | 1 |
| 18 | 72414 | WHEEL - Reset (REDINGTON) | 1 |
| 19 | 110113 | SCREW - 4-40 x 5/16 | 4 |
| 20 | 150083 | NUT - 10-32 | 1 |
| 21 | 195359 | NUT - Adapter | 1 |
| 22 | 10165 | BRACKET | 1 |
| 23 | 111073 | SCREW - 1/4-28 x 5/8 | 1 |
| 24 | †111056 | SCREW - 10-32 x 5/8 | 1 |
| 25 | †101612 | SCREW - 1/4-28 x 7/16 | 2 |
| 26 | †100228 | NUT - 4-40 | 4 |
| 27 | 76711 | ANCHOR - Spring | 1 |
| 28 | 190395 | SPRING - Special | 1 |
| 29 | 76704 | ROD - Feed Control | 1 |
| 30 | 1060 | RING - Retaining, .208 I.D. .527 O.D. x .027 | 2 |
| 31 | 21203 | WASHER - .254 I.D. x .500 O.D. x .029 | 2 |
| 32 | 72531 | SPRING - Tension, .312 O.D. x 2.812 O.A.L. x .042 | 1 |
| 33 | 1080 | RING - Retaining, .302 I.D. x .660 O.D. x .037 | 1 |
| 34 | 76709 | LEVER ASSEMBLY - Support | 1 |
| 35 | 41774 | SPRING - Tension, .250 O.D. x .781 O.A.L. | 1 |
| 36 | 10160 | LEVER ASSEMBLY - Feed | 1 |
| 37 | 11371 | KNOB | 1 |
| 38 | 72052 | CLIP | 1 |
| 39 | †14761 | WASHER - .628 I.D. x 1.000 O.D. x .029 | 1 |
| 40 | 14510 | RING - Retaining, .483 I.D. x .940 O.D. x .044 | 1 |
| 41 | 196424 | STUD - Feed Control Pivot | 1 |
| 42 | 196471 | CLIP | 1 |
| | † | Standard Hardware, Obtain Locally | |

parts catalog

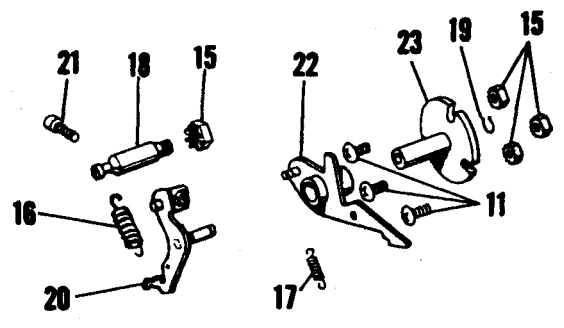
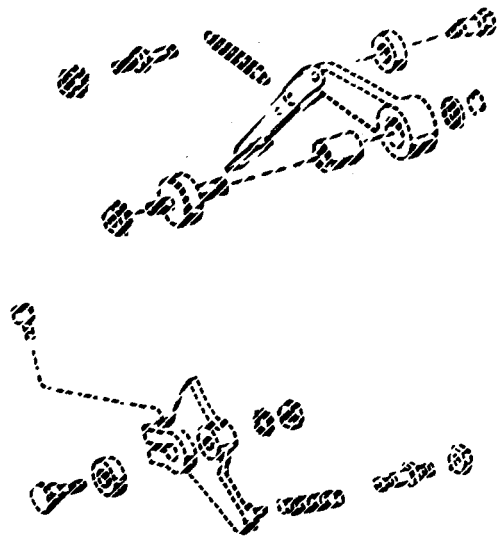
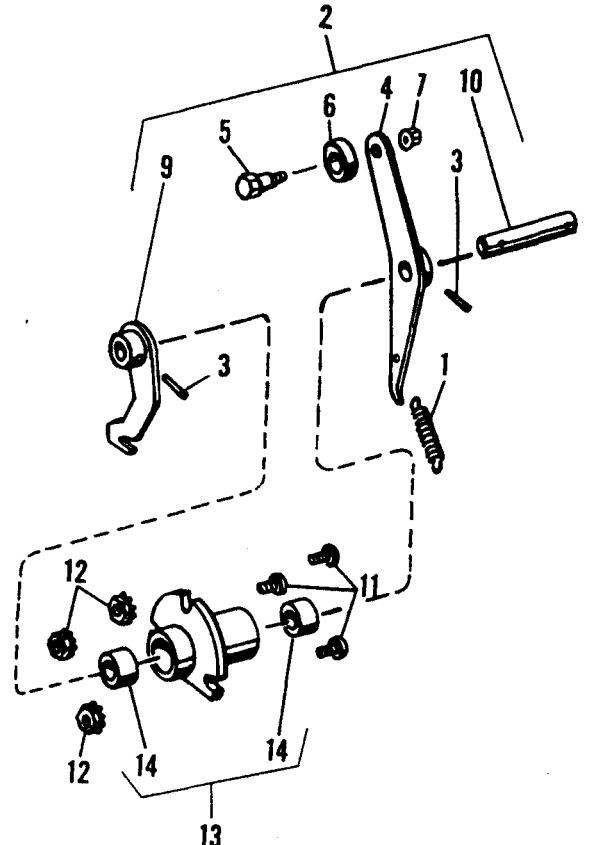
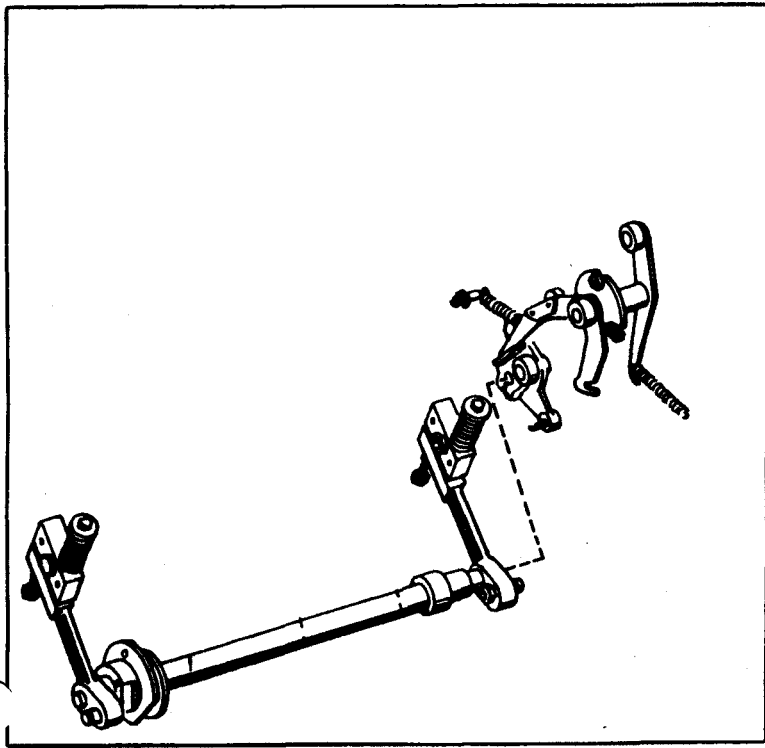


FIGURE 34C - MODEL 9805-9810
Control Lever and Impression Cylinder Latch

Parts Catalog

| Index No. | Part No. | MODEL 9805/9850 Figure 34C Description | Units Per Assy. |
|-----------|----------|---|-----------------|
| 1 | 020444 | SPRING - .468 O.D. x 1.937 O.A.L. | 1 |
| 2 | 072146 | CONTROL LEVER ASSEMBLY | 1 |
| 3 | 100554 | PIN - Spiral, .136 O.D. x .760 O.A.L. | 2 |
| 4 | *072147 | LEVER | 1 |
| 5 | 192895 | SCREW - Shoulder, 1/4-28 x .327 | 1 |
| 6 | 192896 | TRUCK | 1 |
| 7 | 150085 | NUT - 1/4-28 | 1 |
| 9 | *072149 | LEVER | 1 |
| 10 | *072151 | SHAFT | 1 |
| 11 | 111054 | SCREW - 10-32 x 1/2 | 6 |
| 12 | 001812 | NUT - 10-32 | 3 |
| 13 | 072152 | HOUSING AND BUSHING ASSEMBLY | 1 |
| 14 | 001422 | BUSHING - .379 I.D. x .504 O.D. x .312 O.A.L. | 2 |
| 15 | 014808 | NUT - 10-32 | 4 |
| 16 | 073325 | SPRING - .375 O.D. x 1.375 O.A.L. x .037 | 1 |
| 17 | 073326 | SPRING - .312 O.D. x .781 O.A.L. x .031 | 1 |
| 18 | 072129 | ANCHOR - Spring | 1 |
| 19 | 001046 | RING - Retaining, .283 I.D. x .027 | 1 |
| 20 | 072379 | LEVER ASSEMBLY | 1 |
| 21 | 014174 | SCREW - 10-32 x 5/8 | 1 |
| 22 | 072375 | LEVER ASSEMBLY | 1 |
| 23 | 072378 | BEARING | 1 |

*Not Procurable Separately

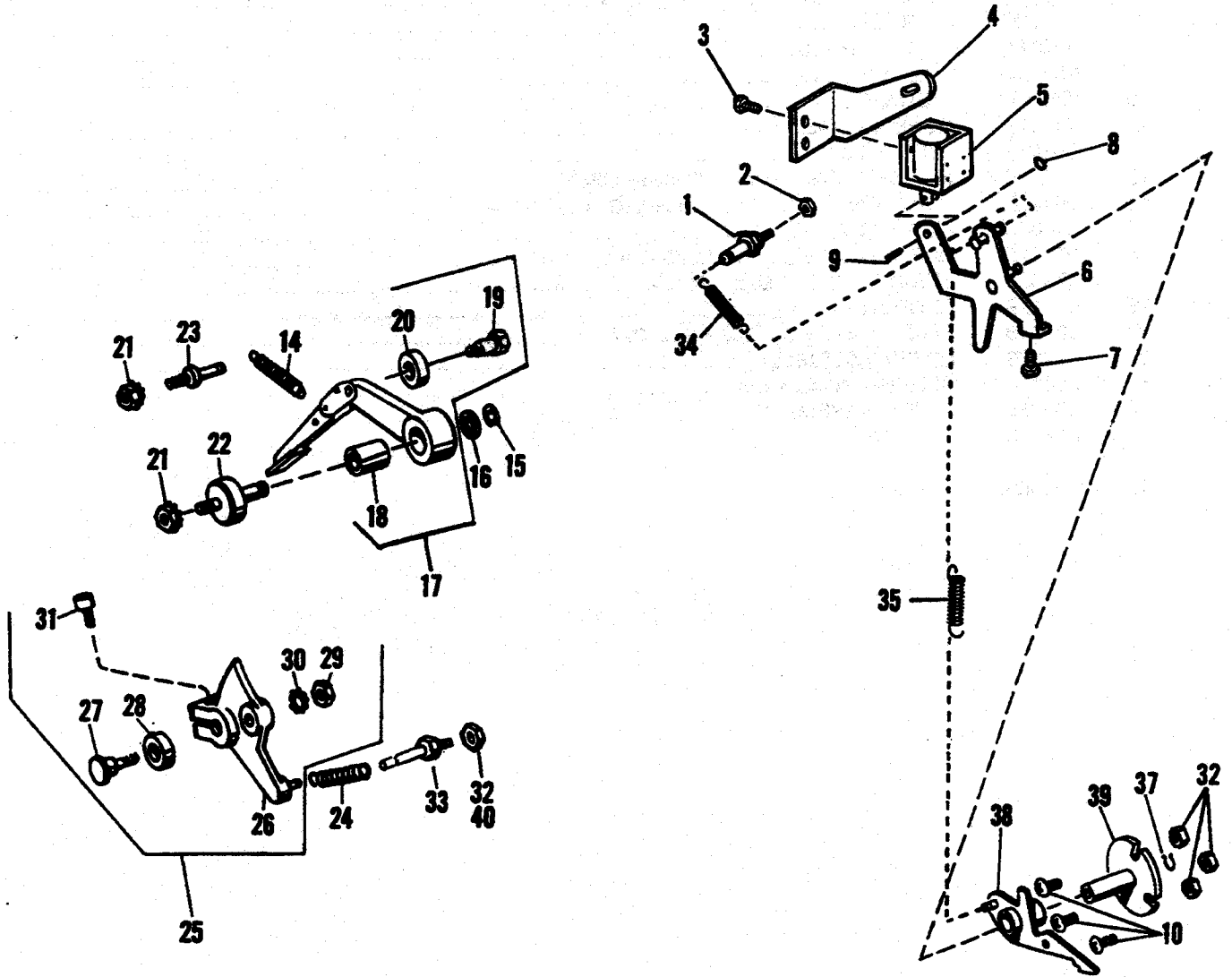


FIGURE 35
MODEL 9815/9850 Impression Solenoid and Power Lever Assembly

Parts Catalog

| Index No. | Part No. | MODEL 9805/9850 Figure 35 Description | Units Per Assy. |
|-----------|----------|--|-----------------|
| 1 | 196236 | STUD - Spring Anchor | 1 |
| 2 | 150083 | NUT - 10-32 | 1 |
| 3 | 111033 | SCREW - 8-32 x 5/16 | 2 |
| 4 | 009665 | BRACKET - Mounting | 1 |
| 5 | 252824 | SOLENOID - 24 V.D.C. | 1 |
| 6 | 009662 | LEVER ASSEMBLY- Imp. Cyl. Latch | 1 |
| 7 | 014174 | SCREW - 10-32 x 5/8 | 1 |
| 8 | 014515 | RING - Vinyl, .080 I.D. x .160 | 2 |
| 9 | 190713 | PIN - Solenoid Link | 1 |
| 10 | 111054 | SCREW - 10-32 x 1/2 | 3 |
| 14 | 072442 | SPRING - Tension, .343 O.D. x 2.000 O.A.L. | 1 |
| 15 | 001080 | RING - Retaining, .302 I.D. x .660 O.D. x .037 | 1 |
| 16 | 014727 | WASHER - .385 I.D. x .760 O.D. x .032 | 1 |
| 17 | 072362 | POWER LEVER ASSEMBLY - Impression Cylinder | 1 |
| 18 | 001446 | BUSHING - .503 O.D. x .379 I.D. x .875 O.A.L. | 1 |
| 19 | 192323 | SCREW - Eccentric, 1/4-28 x 1/4 | 1 |
| 20 | 072367 | TRUCK | 1 |
| 21 | 150085 | NUT - 1/4-28 | 2 |
| 22 | 196237 | STUD - Power Lever (9815/9850) | 1 |
| 22 | 072368 | STUD - Power Lower (9805-9810) | 1 |
| 23 | 072413 | SPRING ANCHOR - Power Lever | 1 |
| 24 | 072442 | SPRING Tension, .343 O.D. x 2.000 O.A.L. | 1 |
| 25 | 072354 | LEVER ASSEMBLY - Impression Cyl. Separator | 1 |
| 26 | 071561 | LEVER - Impression Cyl. Separator | 1 |
| 27 | 072357 | PIN - Eccentric | 1 |
| 28 | 072358 | TRUCK - Impression Cyl. Separator Lever | 1 |
| 29 | 001818 | NUT - 1/4-28 | 1 |
| 30 | 001740 | WASHER - Lock, .267 I.D. x .506 O.D. x .030 | 1 |
| 31 | 100891 | SCREW - 1/4-20 x 1.000 | 1 |
| 32 | 014808 | NUT - 10-32 (9805-9810) | 5 |
| 33 | 196235 | STUD - Spring, 1 13/16 O.A.L. (9815/9850) | 1 |
| 33 | 072412 | STUD - Spring, 13/32 O.A.L. (9805-9810) | 1 |
| 34 | 064673 | SPRING - Tension, .375 O.D. x 1.375 O.A.L. | 1 |
| 35 | 041774 | SPRING - Tension, .250 O.D. x .781 O.A.L. | 1 |
| 37 | 001046 | RING - Retaining, .283 I.D. x .027 | 2 |
| 38 | 009664 | LEVER ASSEMBLY - Impression Cyl. Latch Lever | 1 |
| 39 | 072378 | BEARING - Impression Cyl. Latch Lever | 1 |
| 40 | 014248 | NUT - 10-32 (9815/9850) | 1 |

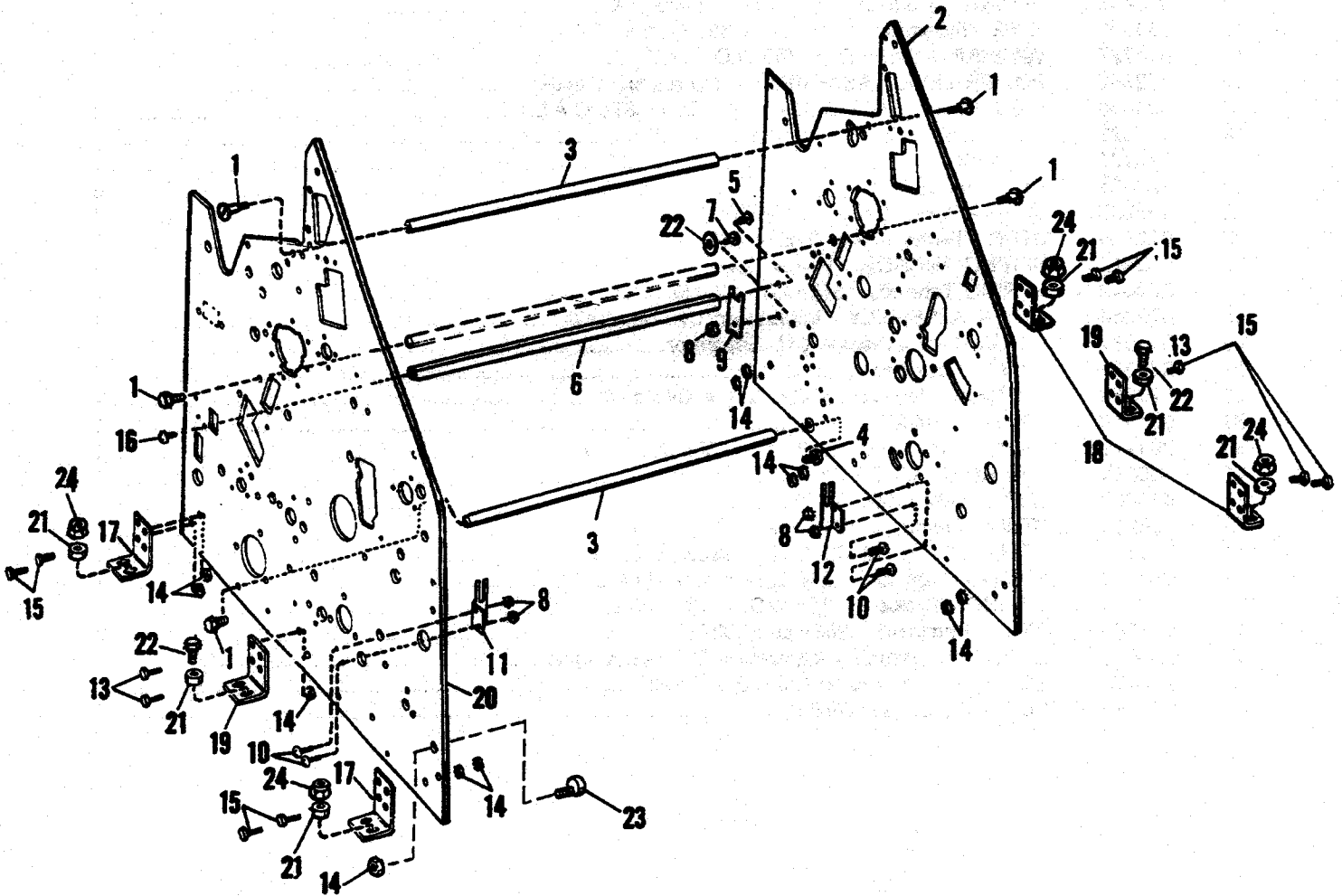


FIGURE 36
MODEL 9815/9850 Side Frames and Tie Bars

Parts Catalog

| Index No. | Part No. | MODEL 9805/9850 Figure 36 Description | Units Per Assy. |
|-----------|----------|---|-----------------|
| 1 | 193601 | SCREW - Shoulder, 5/16-24 | 4 |
| 2 | 017514 | FRAME - Machine, N.O.S. | 1 |
| 2 | 016205 | FRAME - Machine, N.O.S. (Square Corners) | 1 |
| 3 | 007575 | TIE BAR - CD, QPC and PRO | 2 |
| 4 | 076842 | TIE BAR | 1 |
| 5 | 111071 | SCREW - 1/4-28 x 1/2, TD | 1 |
| 6 | 007750 | TIE BAR TD QP | 1 |
| 7 | 193778 | SPACER - CD, QPC and PRO | 2 |
| 7 | 054147 | SCREW - Shoulder, 8-32, TD and QP | 1 |
| 8 | 150081 | NUT - 8-32 | 4 |
| 9 | 015260 | LOCATING PLATE - TD and QP | 1 |
| 10 | 111036 | SCREW - 8-32 x 1/2 | 4 |
| 11 | 072055 | GUARD - R.H. | 1 |
| 12 | 072056 | GUARD - L.H. | 1 |
| 14 | 150085 | NUT - 1/4-28 | 13 |
| 15 | 195296 | SCREW - 1/4-28 x 3/4 | 8 |
| 16 | 111075 | SCREW - 1/4-28 x 7/8 | 1 |
| 17 | 011055 | BRACKET - Foot, O.S. | 2 |
| 18 | 011056 | BRACKET - Foot, N.O.S. | 2 |
| 19 | 011229 | BRACKET - Foot, Center | 2 |
| 20 | 016204 | FRAME - Machine, O.S. (Square Corners) | 1 |
| 21 | 191782 | SPACER - .318 I.D. x 9/16 x .152 | 6 |
| 21 | 193808 | SPACER - (9840 B) | 6 |
| 22 | 111089 | SCREW - 5/16-24 x 5/8 | 2 |
| 23 | 190116 | STOP - Height Regulator | 1 |
| 24 | 001824 | NUT - Lock, 5/16-18 | 4 |
| 25 | 196393 | SCREW - Dowel, 1/4-28 x 5/8 (CD, QPC and PRO) | 4 |

Parts Catalog

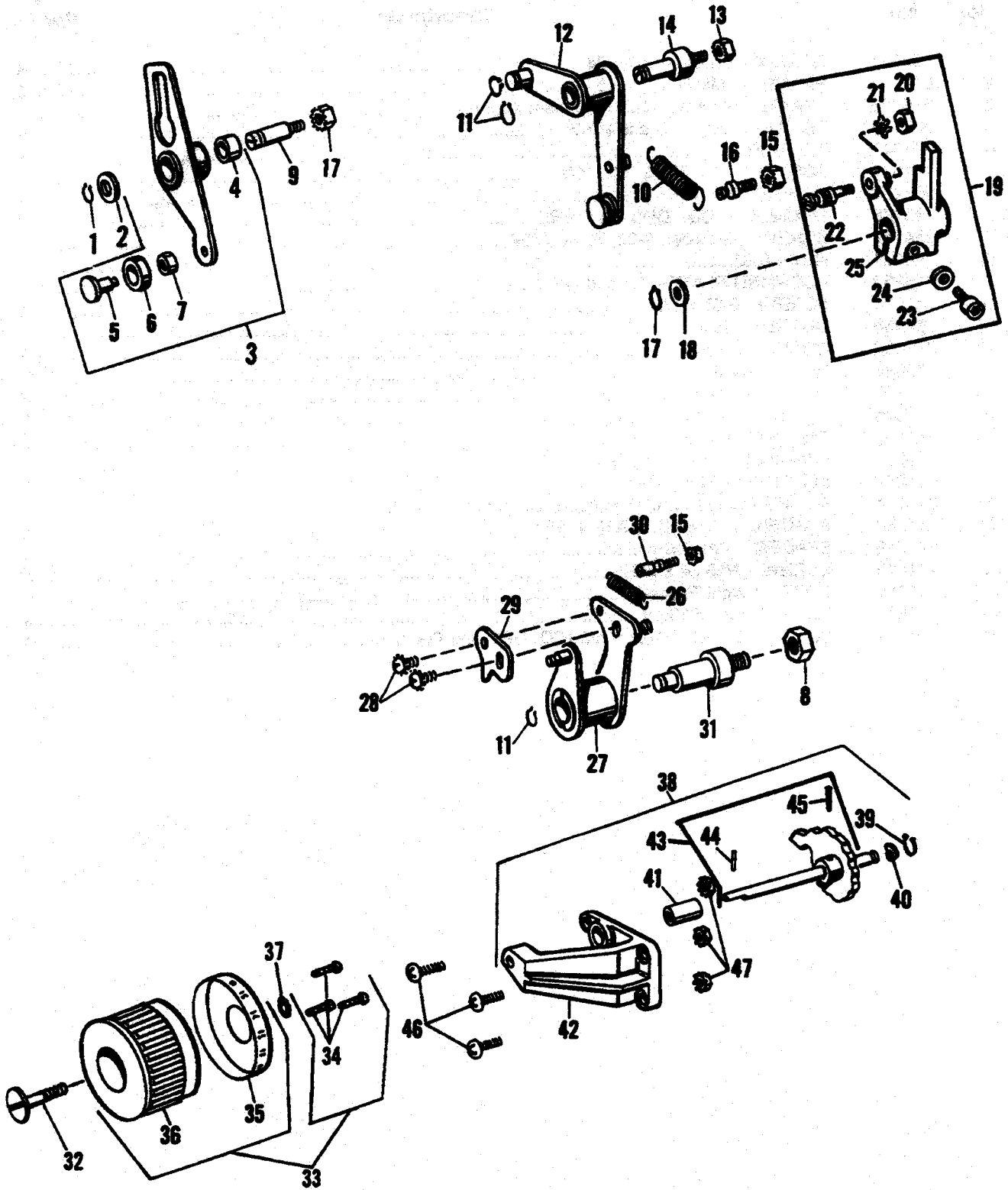


FIGURE 37
 MODEL 9815/9850 Buckle Adjusting and Lever Assemblies

Parts Catalog

| Index No. | Part No. | MODEL 9805/9850 Figure 37 Description | Units Per Assy. |
|-----------|----------|---|-----------------|
| 1 | 001075 | RING - Retaining, .397 I.D. x .027 | 1 |
| 2 | 190149 | WASHER - .441 I.D. x .687 O.D. x .029 | 1 |
| 3 | 007743 | LEVER ASSEMBLY - Forwarding | 1 |
| 4 | 001493 | BUSHING | 1 |
| 5 | 072790 | RIVET | 1 |
| 6 | 072176 | TRUCK | 1 |
| 7 | 072175 | BUSHING | 1 |
| 8 | 150089 | NUT - 3/8-24 | 2 |
| 9 | 190110 | STUD - Forwarding Lever Assembly | 1 |
| 10 | 078744 | SPRING - Tension, .406 O.D. x 1.937 O.A.L. | 1 |
| 11 | 001047 | RING - Retaining, .340 I.D. x .027 | 3 |
| 12 | 072199 | HUB ASSEMBLY - Buckle Adjustment | 1 |
| 13 | 150085 | NUT - 1/4-28 | 1 |
| 14 | 072201 | STUD - Buckle Adjustment Hub | 1 |
| 15 | 014808 | NUT - 10-32 | 2 |
| 16 | 072186 | SPRING ANCHOR - Buckle Adjustment Hub Spring | 1 |
| 17 | 001062 | RING - Retaining, .258 I.D. x .027 | 1 |
| 18 | 016574 | WASHER - .315 I.D. x .687 O.D. x .047 | 1 |
| 19 | 072382 | LEVER ASSEMBLY - Counter Operating | 1 |
| 20 | 014844 | NUT - 8-32 | 1 |
| 21 | 001722 | WASHER - Lock, .172 I.D. x .375 O.D. x .020 | 1 |
| 22 | 072427 | PIN - Eccentric | 1 |
| 23 | 014219 | SCREW - 1/4-20 x 3/4 | 1 |
| 24 | 005071 | WASHER - .253 I.D. x .500 O.D. x .059 | 1 |
| 25 | 072383 | LEVER - Counter Operating | 1 |
| 26 | 073333 | SPRING - Tension, .296 O.D. x 1.187 O.A.L. | 1 |
| 27 | 072488 | LEVER ASSEMBLY - Double | 1 |
| 28 | 001691 | SCREW - 10-32 x 1/4 | 2 |
| 29 | 072491 | PLATE - Contacting Regulator | 1 |
| 30 | 072482 | SPRING ANCHOR - Double Lever Spring | 1 |
| 31 | 080153 | STUD - Double Lever | 1 |
| 32 | 196247 | SCREW - Special, 10-32 x 1-1/8 | 1 |
| 33 | 017806 | KNOB ASSEMBLY - Buckle Adjusting | 1 |
| 34 | 014529 | RIVET - Drive, #2 x 1/4 | 3 |
| 35 | 017750 | DIAL - Buckle Adjusting Knob | 1 |
| 36 | 017738 | KNOB - Buckle Adjusting | 1 |
| 37 | 039642 | RING - Vinyl, .155 I.D. x .075 | 1 |
| 38 | 076605 | CAM SHAFT AND HOUSING ASSEMBLY | 1 |
| 39 | 001046 | RING - Retaining, .283 I.D. x .027 | 1 |
| 40 | 195645 | WASHER - Spring, .324 I.D. x .510 O.D. x .085 | 1 |
| 41 | 001498 | BUSHING - .316 I.D. x .504 | 1 |
| 42 | 072207 | HOUSING ASSEMBLY - Cam | 1 |
| 43 | 072205 | SHAFT ASSEMBLY - Cam | 1 |
| 44 | 001990 | PIN - Roll, .135 O.D. x .515 O.A.L. | 1 |
| 45 | 014902 | PIN - Taper, .110 O.D. x .720 O.A.L. | 1 |
| 46 | 014149 | SCREW - 10-32 x 11/16 | 3 |
| 47 | 150083 | NUT - 10-32 | 3 |

Parts Catalog

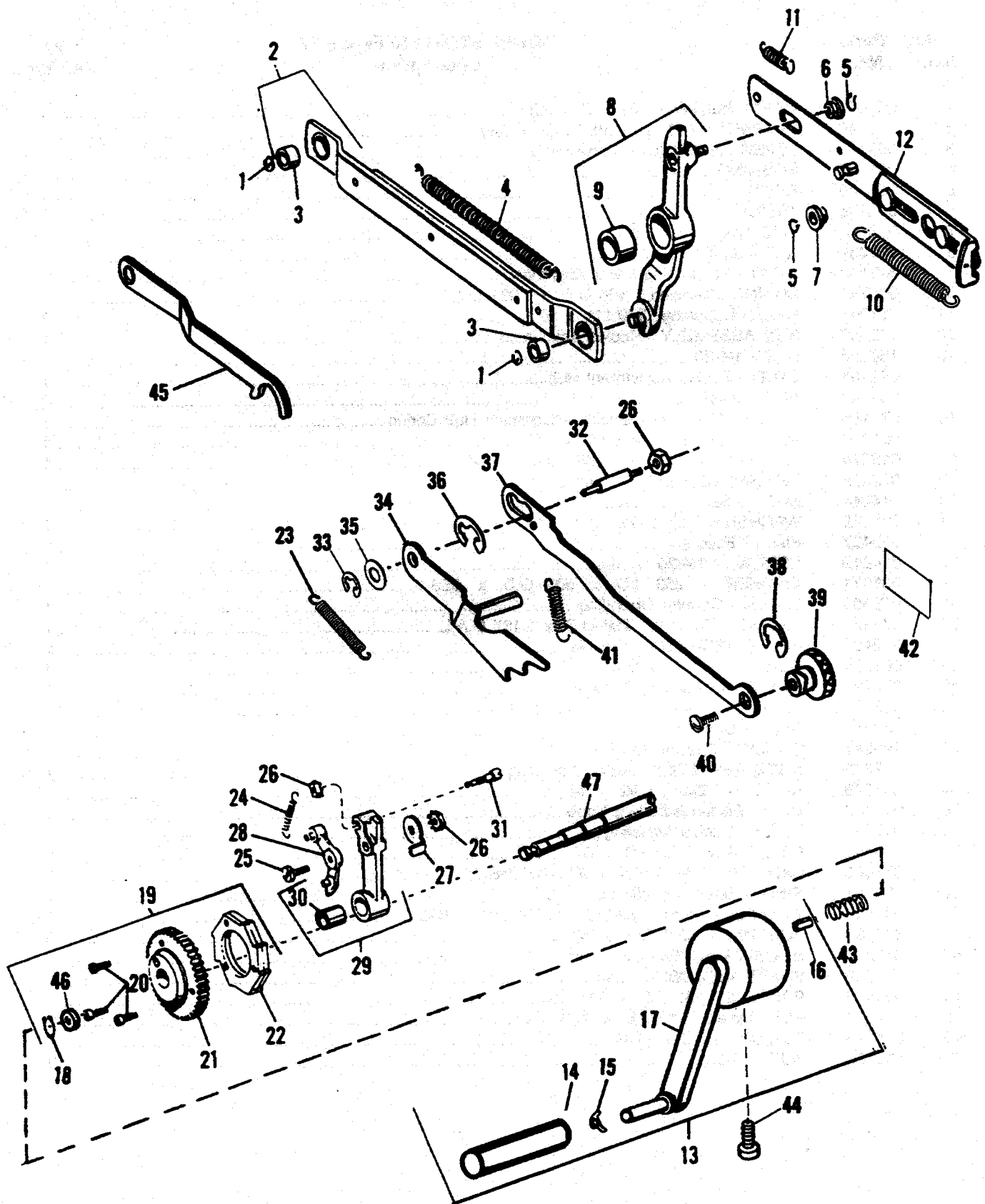


FIGURE 38
MODEL 9815/9850 Power Link and Related Feed Mechanism

Parts Catalog

| Index No. | Part No. | MODEL 9805/9850 Figure 38 Description | Units Per Assy. |
|-----------|----------|--|-----------------|
| 1 | 001095 | RING - Retaining, .245 I.D. x .500 O.D. x .027 | 2 |
| 2 | 073373 | LINK ASSEMBLY | 1 |
| 3 | 001472 | BUSHING | 2 |
| 4 | 073381 | SPRING - .500 O.D. x 4.687 O.A.L. | 1 |
| 5 | 001049 | RING - Retaining, .227 I.D. x .027 | 2 |
| 6 | 072471 | BUSHING | 1 |
| 7 | 072472 | BUSHING | 1 |
| 8 | 072589 | LEVER ASSEMBLY | 1 |
| 9 | 001469 | BUSHING | 1 |
| 10 | 072512 | SPRING - .343 O.D. x 3.031 O.A.L. | 1 |
| 11 | 041777 | SPRING - .312 O.D. x 1.344 O.A.L. | 1 |
| 12 | 072504 | LINK ASSEMBLY | 1 |
| 13 | 017803 | HAND CRANK ASSEMBLY | 1 |
| 14 | 017715 | HANDLE | 1 |
| 15 | 003042 | SPRING LOCK | 1 |
| 16 | 014966 | PIN - Roll, .264 O.D. x 1.355 O.A.L. | 1 |
| 17 | * | HAND CRANK WITH STUD | 1 |
| 18 | 001048 | RING - Retaining, .463 I.D. x .037 | 1 |
| 19 | 017644 | RATCHET AND GEAR ASSEMBLY - 32 Tooth | 1 |
| 19 | 080204 | RATCHET AND GEAR ASSEMBLY - 16 Tooth | 1 |
| 20 | 014158 | SCREW - 10-32 x 1/2 | 3 |
| 21 | 080144 | GEAR | 1 |
| 22 | 017645 | RATCHET - 32 Tooth | 1 |
| 22 | 072568 | RATCHET - 16 Tooth | 1 |
| 23 | 072544 | SPRING - .406 O.D. x 3.125 O.A.L. | 1 |
| 24 | 064590 | SPRING - .218 O.D. x .937 O.A.L. | 1 |
| 25 | 072586 | SCREW - Shoulder, 1/4-28 | 1 |
| 26 | 150085 | NUT - 1/4-28 | 1 |
| 27 | 072580 | ANCHOR - Spring | 1 |
| 28 | 017647 | PAWL ASSEMBLY | 1 |
| 28 | 072581 | PAWL ASSEMBLY (9840 B) | 1 |
| 29 | 072576 | LEVER ASSEMBLY | 1 |
| 30 | 001470 | BUSHING | 1 |
| 31 | 072579 | STUD - Spring | 1 |
| 32 | 072621 | STUD | 1 |
| 33 | 001080 | RING - Retaining, .302 I.D. x .660 O.D. x .037 | 1 |
| 34 | 075836 | PAWL | 1 |
| 35 | 192202 | WASHER - .385 I.D. x .625 O.D. x .010 | 1 |
| 36 | 001094 | RING - Retaining, .388 I.D. x .800 O.D. x .040 | 1 |
| 37 | 017128 | LINK - (First Design) | 1 |
| 37 | 010142 | LINK - (Second Design) | 1 |
| 38 | 001785 | RING - Crescent, .880 I.D. x 1.130 O.D. x .044 | 1 |
| 39 | 017125 | KNOB | 1 |
| 40 | 054147 | SCREW - Shoulder, 8-32 | 1 |
| 41 | 006987 | SPRING - .296 O.D. x 1.468 O.A.L. | 1 |
| 42 | 017783 | METAL CAL | 1 |
| 43 | 190329 | SPRING - Compression, .359 O.D. x 1.000 O.A.L. | 1 |
| 44 | 072620 | SCREW - Shoulder, 10-32 | 1 |
| 45 | 017643 | PAWL - Stop (First Design) | 1 |
| 45 | 072631 | PAWL - (9840 B) | 1 |
| 46 | 194868 | SPACER - .520 I.D. x .687 O.D. x .125 | 1 |
| 47 | 017151 | SHAFT ASSEMBLY - Table Raise | 1 |

*Not Procurable Separately

Parts Catalog

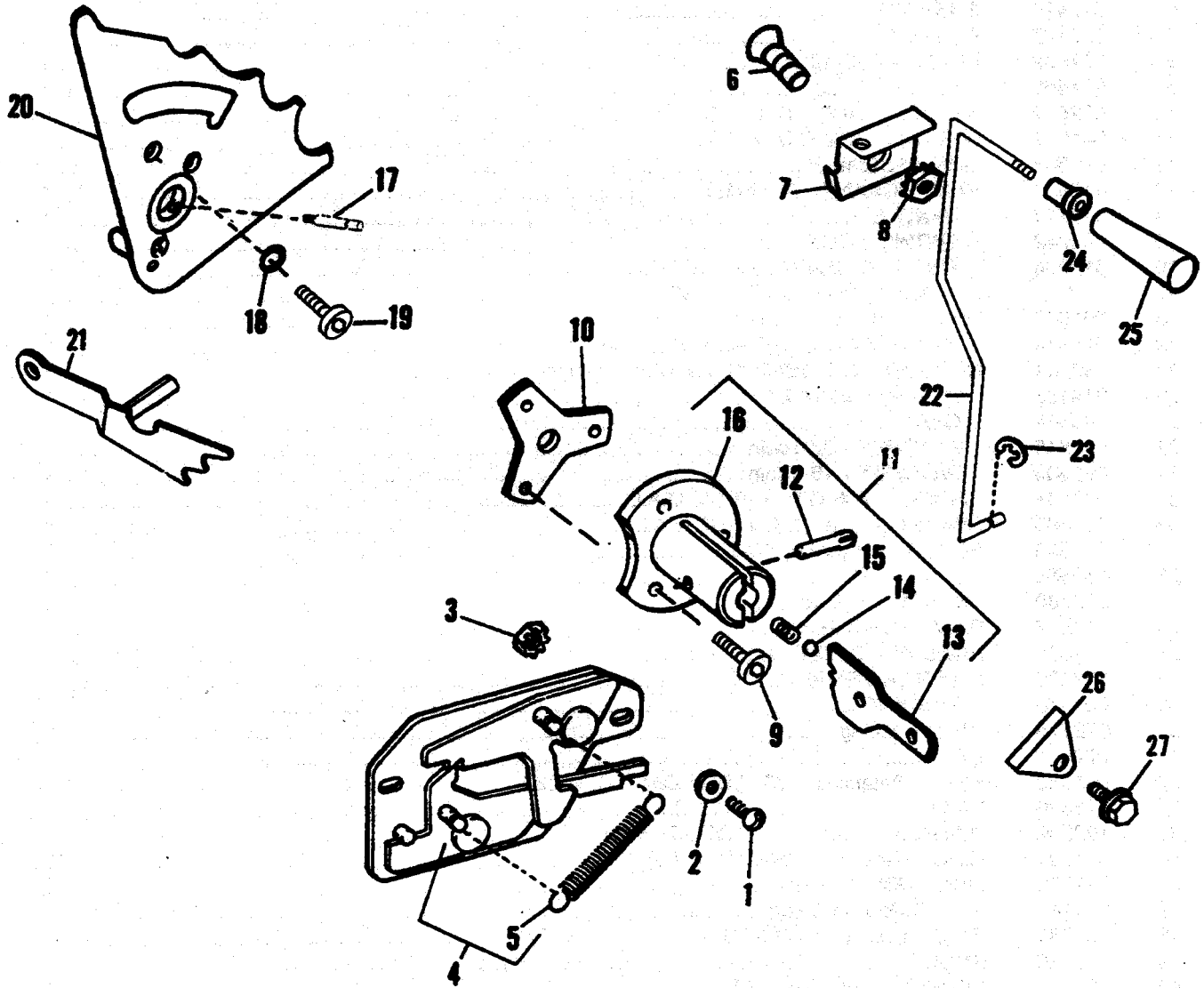


FIGURE 38A
MODEL 9815/9850 Alternate Sheet Feed

Parts Catalog

| Index No. | Part No. | MODEL 9805/9850 Figure 38A Description | Units Per Assy. |
|-----------|----------|---|-----------------|
| 1 | 001185 | SCREW - 10-32 x 7/16 | 2 |
| 2 | 021563 | WASHER - .194 I.D. | 2 |
| 3 | 014808 | NUT - 10-32 | 2 |
| 4 | 075555 | PLATE AND LEVER ASSEMBLY | 1 |
| 5 | 073325 | SPRING - Tension, .375 O.D x 1.375 O.A.L. | 1 |
| 6 | 100585 | SCREW - 1/4-28 x 3/4 | 1 |
| 7 | 018213 | BRACKET | 1 |
| 8 | 014807 | NUT - Lock, 1/4-28 | 1 |
| 9 | 100345 | SCREW - Cap, 10-32 x 5/8 | 3 |
| 10 | 074915 | PLATE - Adapter | 1 |
| 12 | 075833 | FEED CONTROL ASSEMBLY - Alternate Sheet | 1 |
| 12 | 075567 | PIN - Control Lever Pivot | 1 |
| 13 | 018209 | LEVER - Feed Control | 1 |
| 14 | 075566 | BEARING - Feed Control Assembly | 1 |
| 15 | 190266 | SPRING - Compression, .178 O.D. x 12/32 O.A.L. | 1 |
| 16 | 075834 | STUD - Feed Control Lever | 1 |
| 18 | 071610 | ECCENTRIC - Cam | 1 |
| 19 | 014350 | SCREW - Cap, 10-32 x 5/16 | 1 |
| 20 | 075537 | CAM - Sequence | 1 |
| 21 | 075836 | PAWL | 1 |
| 22 | 018214 | ROD | 1 |
| 23 | 014504 | RING - Retaining, .144 I.D. x .025 | 1 |
| 24 | 101692 | BUSHING - Nylon | 1 |
| 25 | 037060 | KNOB | 1 |
| 26 | 075839 | RETAINER - Feed Control | 1 |
| 27 | 111051 | SCREW - 10-32 x 5/16 | 1 |

Parts Catalog

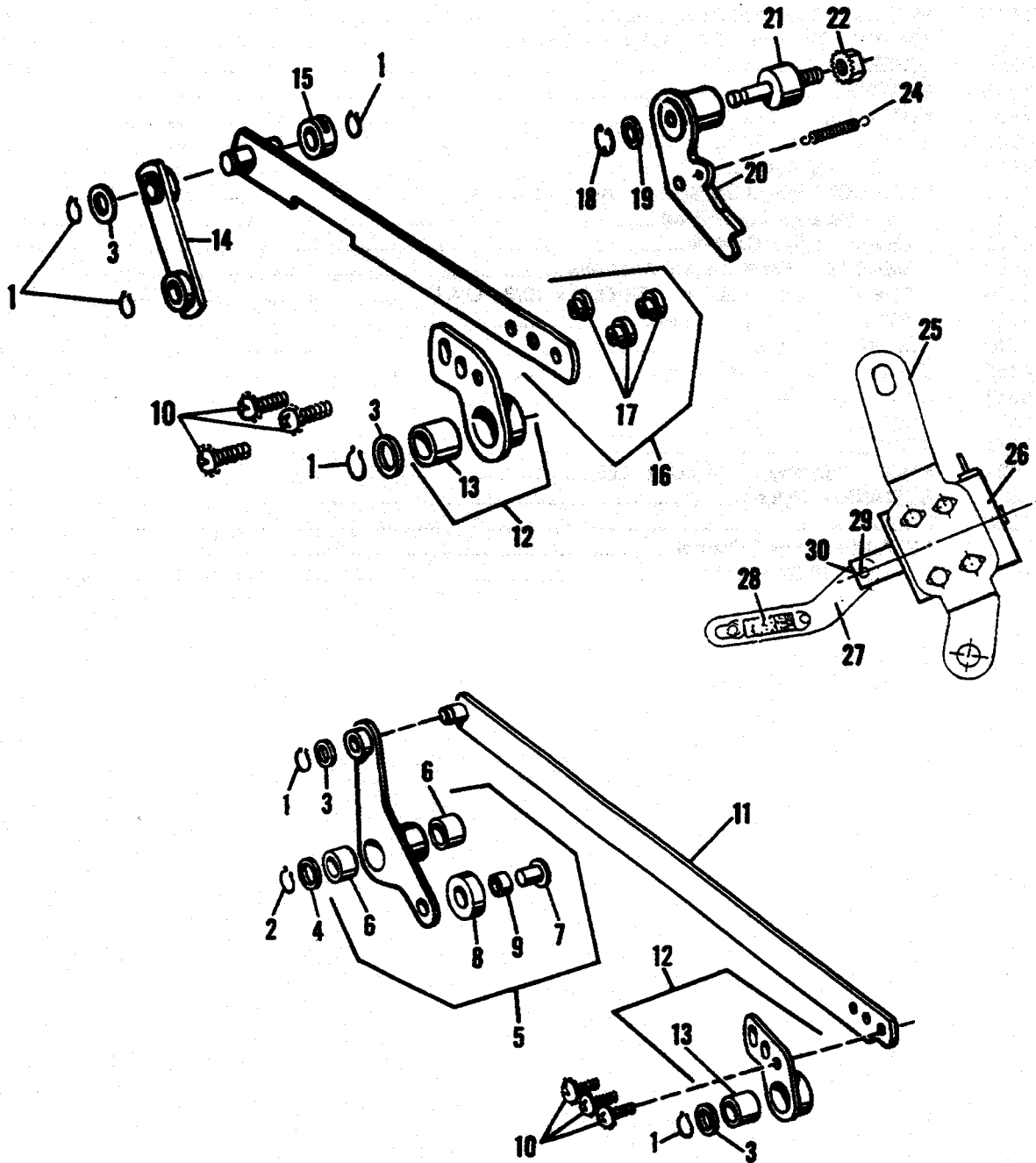


FIGURE 39
MODEL 9815/9850 Feed Link Assemblies

Parts Catalog

| Index No. | Part No. | MODEL 9805/9850 Figure 39 Description | Units Per Assy. |
|-----------|----------|--|-----------------|
| 1 | 001047 | RING - Retaining, .340 I.D. x .027 | 6 |
| 2 | 001075 | RING - Retaining, .397 I.D. x .027 | 1 |
| 3 | 014703 | WASHER - .384 I.D. x .562 O.D. x .029 | 4 |
| 4 | 190149 | WASHER - .441 I.D. x .687 O.D. x .029 | 1 |
| 5 | 072177 | LEVER ASSEMBLY - Follower, Feed | 1 |
| 6 | 001412 | BUSHING - .441 I.D. x .565 O.D. x .375 O.A.L. | 2 |
| 7 | 072790 | RIVET | 1 |
| 8 | 072176 | ROLLER | 1 |
| 9 | 072175 | BUSHING - .220 I.D. x .313 O.D. x .324 O.A.L. | 1 |
| 10 | 111035 | SCREW - 8-32 x 7/16 | 6 |
| 11 | 072243 | LINK ASSEMBLY - Feed, Long | 1 |
| 12 | 072233 | ADJUSTING PLATE ASSEMBLY | 2 |
| 13 | 001404 | BUSHING - .379 I.D. x .504 O.D. x .500 | 2 |
| 14 | 072189 | LINK ASSEMBLY - Buckle Adjusting | 1 |
| 15 | 072210 | BEARING - .380 I.D. x .750 O.D. | 1 |
| 16 | 072230 | LINK ASSEMBLY - Forwarding, Short | 1 |
| 17 | 014835 | FASTENERS - 8-32 | 3 |
| 18 | 001095 | RING - Retaining, .245 I.D. x .500 O.D. x .027 | 1 |
| 19 | 001766 | WASHER - .323 I.D. x .500 O.D. x .029 | 1 |
| 20 | 009530 | LATCH ASSEMBLY - (9815/9850) | 1 |
| 20 | 084092 | LATCH ASSEMBLY - (9805-9810) | 1 |
| 21 | 072534 | STUD - Eccentric | 1 |
| 22 | 150085 | NUT - 1/4-28 | 2 |
| 24 | 196469 | SPRING - Tension, 19/64 O.D. x 1 17/32 O.A.L. | 1 |
| 25 | 009527 | SOLENOID BRACKET | 1 |
| 26 | 252824 | FEED SOLENOID | 1 |
| 27 | 009531 | LINK | 1 |
| 28 | 192181 | SPRING | 1 |
| 29 | 190713 | PIN 1 | 1 |
| 30 | 014515 | RING - Retaining | 2 |

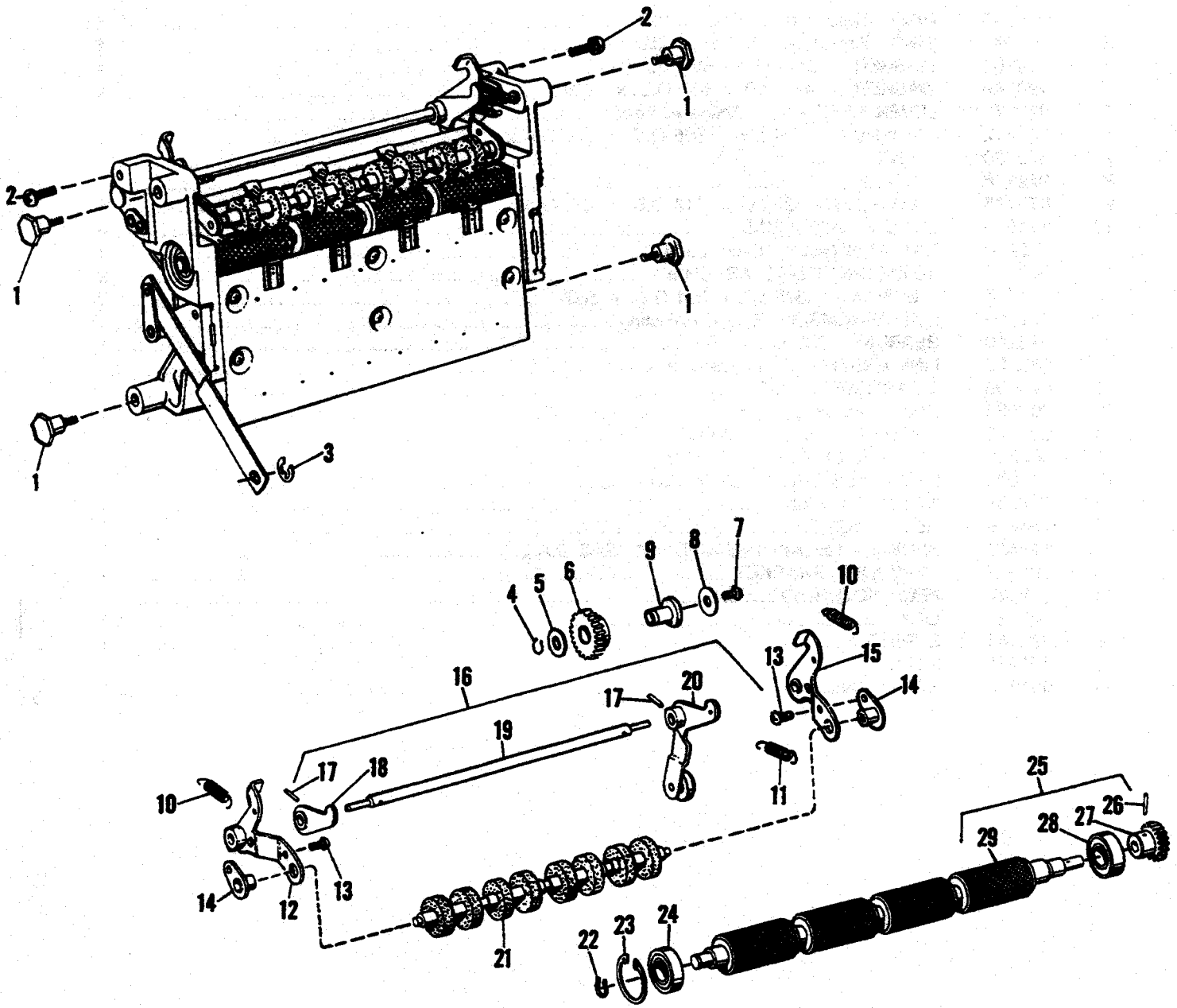


FIGURE 40
MODEL 9815/9850 Main Tie Bar Assembly - Part I

Parts Catalog

| Index No. | Part No. | MODEL 9805/9850 Figure 40 Description | Units Per Assy. |
|-----------|----------|--|-----------------|
| 1 | 072154 | SCREW - Shoulder | 4 |
| 2 | 111073 | SCREW - 1/4-28 x 5/8 | 2 |
| 3 | 001080 | RING - Retaining, .302 I.D. x .660 O.D. x .037 | 2 |
| 4 | 001047 | RING - Snap, .340 I.D. x .027 | 1 |
| 5 | 014727 | WASHER - .380 I.D. x .750 O.D. x .029 | 1 |
| 6 | 072126 | GEAR ASSEMBLY - Idler | 1 |
| 7 | 111074 | SCREW - 1/4-28 x 3/4 | 1 |
| 8 | 016572 | WASHER - .255 I.D. x .875 O.D. x .059 | 1 |
| 9 | 072220 | STUD | 1 |
| 10 | 041776 | SPRING - Tension, .343 O.D. x 1.375 O.A.L. | 2 |
| 11 | 050435 | SPRING - Tension, .250 O.D. x 1.375 O.A.L. | 1 |
| 12 | 071556 | LEVER ASSEMBLY - Segment Roll, R.H. | 1 |
| 13 | 100701 | SCREW - 10-32 x 3/8 | 2 |
| 14 | 074400 | BEARING ASSEMBLY - Segment Roll | 2 |
| 15 | 078301 | LEVER ASSEMBLY - Segment Roll, L.H. | 1 |
| 16 | 007651 | SHAFT ASSEMBLY - Operating Lever | 1 |
| 17 | 100554 | PIN - Roll, .136 O.D. x .760 O.A.L. | 2 |
| 18 | *072090 | LEVER | 1 |
| 19 | *007652 | SHAFT | 1 |
| 20 | *078417 | TRUCK AND LEVER | 1 |
| 21 | 007641 | SHAFT ASSEMBLY | 1 |
| 22 | 001074 | RING - Retaining, .430 I.D. x .027 | 1 |
| 23 | 001067 | RING - Retaining, 1.641 O.D. x .038, internal | 1 |
| 24 | 072124 | BEARING - Lower Forwarding Roller | 1 |
| 25 | 007647 | ROLLER ASSEMBLY | 1 |
| 26 | 100554 | PIN - Spiral, .112 O.D. | 1 |
| 27 | *072125 | GEAR | 1 |
| 28 | 072124 | BEARING | 1 |
| 29 | *007648 | ROLLER - Lower Forwarding | 1 |

*Not Procurable Separately

Parts Catalog

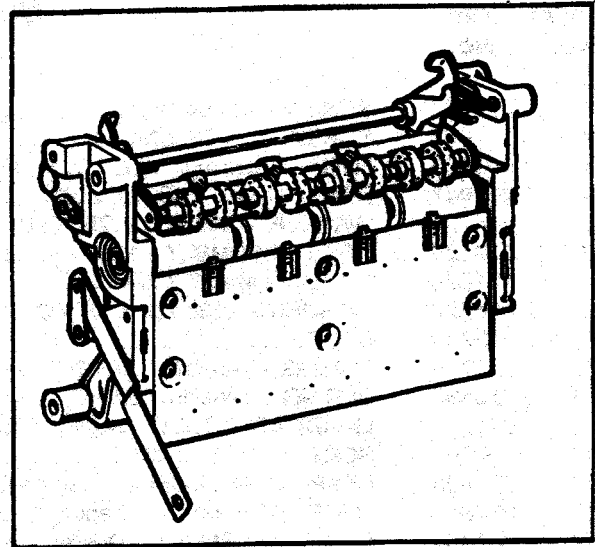


FIGURE 41
MODEL 9815/9850 Main Tie Bar Assembly - Part II

Parts Catalog

| Index No. | Part No. | MODEL 9805/9850 Figure 41 Description | Units Per Assy. |
|-----------|----------|---|-----------------|
| 1 | 009532 | PAPER SENSOR | 1 |
| 4 | 009535 | SPRING - Torsion, Interrupter | 1 |
| 5 | 009536 | INTERRUPTER - Sensor | 1 |
| 6 | 100678 | SCREW - 4-40 x 5/8 | 1 |
| 7 | 014811 | NUT - 8-32 | 2 |
| 8 | 014369 | SCREW - 8-32 x 3/8 | 2 |
| 9 | 001687 | SCREW - 8-32 x 1/2 | 4 |
| 10 | 009538 | PAPER CHUTE - Upper | 1 |
| 11 | 001542 | SCREW - 10-32 x 7/16 | 1 |
| 12 | 191308 | SPACER - Paper Chute (Old Design Not Illustrated) | 2 |
| 13 | 016325 | PAPER CHUTE - Lower | 1 |
| 14 | 001080 | RING - Retaining, .302 I.D. x .660 O.D. x .037 | 3 |
| 15 | 014372 | SCREW - Set, 10-32 x 1/4 | 2 |
| 16 | 072099 | PIVOT - Segment Roller Shaft | 2 |
| 17 | 072106 | SPRING ANCHOR | 2 |
| 18 | 001046 | RING - Snap, .283 I.D. x .027 | 1 |
| 19 | 014158 | SCREW - 10-32 x 1/2 | 4 |
| 20 | 073712 | BEARING BRACKET ASSEMBLY - Finger Operating | 2 |
| 21 | 017133 | SHAFT ASSEMBLY - Finger Operating | 1 |
| 22 | 000020 | PIN - Taper, .112 O.D. x .625 O.A.L. | 1 |
| 23 | *072134 | LEVER - Finger Operating | 1 |
| 24 | 001984 | PIN - Roll, .103 O.D. x .640 O.A.L. | 6 |
| 25 | *072136 | LEVER - Finger Operating | 6 |
| 26 | *007650 | SHAFT - Finger Operating | 1 |
| 27 | 001106 | SCREW - 10-32 x 5/16 | 6 |
| 28 | 017134 | APRON ASSEMBLY | 1 |
| 29 | 072143 | FINGER AND TUBE ASSEMBLY | 6 |
| 30 | 009537 | CASTING - Main Tie Bar | 1 |
| 31 | 080411 | LINK | 1 |
| 32 | 018402 | COVER - Plastic | 1 |
| 33 | 100483 | CLAMP - Cable, 1/8 I.D. | 1 |
| 34 | 250202 | CLAMP - Cable, 1/8 I.D. | 1 |
| 35 | 122502 | SCREW - 4-40 x 5/16 | 1 |

*Not Procurable Separately

Parts Catalog

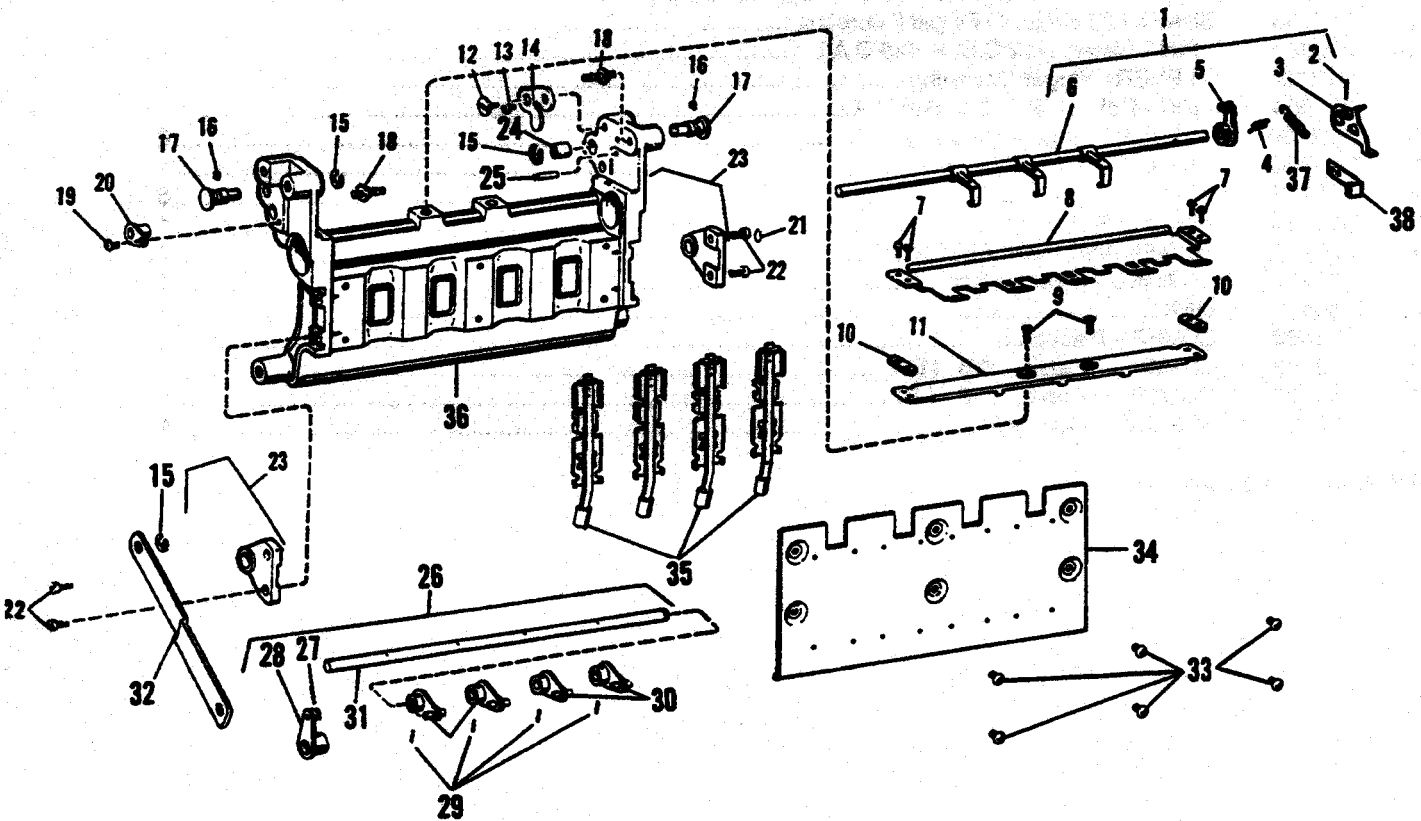
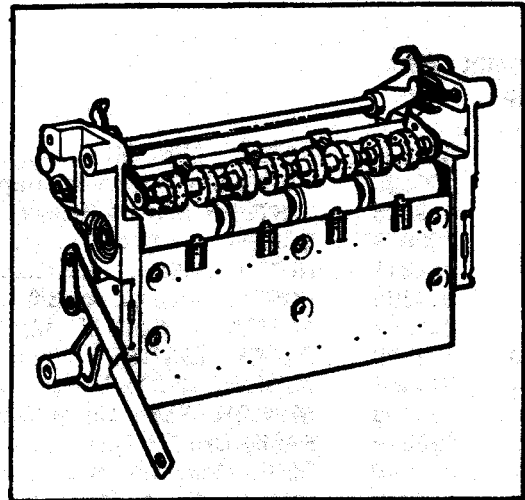


FIGURE 41A
MODEL 9805/9810 Main Tie Bar Assembly - Mechanical

Parts Catalog

| Index No. | Part No. | MODEL 9805/9850 Figure 41A Description | Units Per Assy. |
|-----------|----------|--|-----------------|
| 1 | 007645 | SHAFT ASSEMBLY | 1 |
| 2 | 001980 | PIN - Roll, .135 O.D. x .640 O.A.L. | 1 |
| 3 | *072110 | LEVER - Paper Feeler Shaft | 1 |
| 4 | 001650 | SCREW - Set, 10-32 x 3/16 | 1 |
| 5 | 071504 | LEVER - Paper Feeler Shaft | 1 |
| 6 | *007646 | SHAFT - PAPER FEELER | 1 |
| 7 | 001687 | SCREW - 8-32 x 1/2 | 4 |
| 8 | 007643 | PAPER CHUTE - Upper | 1 |
| 9 | 001542 | SCREW - 10-32 x 7/16 | 2 |
| 10 | 191308 | SPACER - Paper Chute | 2 |
| 11 | 016325 | PAPER CHUTE - Lower | 1 |
| 12 | 072160 | SCREW - 1/4-28 | 1 |
| 13 | 001688 | SCREW - 10-32 x 3/8 | 1 |
| 14 | 072159 | LEVER - Paper Feeler Stop | 1 |
| 15 | 001080 | RING - Retaining, .302 I.D. x .660 O.D. x .037 | 3 |
| 16 | 014372 | SCREW - Set, 10-32 x 1/4 | 2 |
| 17 | 072099 | PIVOT - Segment Roller Shaft | 2 |
| 18 | 072106 | SPRING ANCHOR | 2 |
| 19 | 001688 | SCREW - 10-32 x 3/8 | 1 |
| 20 | 071505 | BEARING BRACKET ASSEMBLY - Feeler Shaft | 1 |
| 21 | 001046 | RING - Snap, .283 I.D. x .027 | 1 |
| 22 | 014158 | SCREW - 10-32 x 1/2 | 4 |
| 23 | 073712 | BEARING BRACKET ASSEMBLY - Finger Operating | 2 |
| 24 | 001462 | BUSHING - Main Tie Bar | 1 |
| 25 | 014562 | SPRING ANCHOR | 1 |
| 26 | 017133 | SHAFT ASSEMBLY - Finger Operating | 1 |
| 27 | 000020 | PIN - Taper, .112 O.D. x .625 O.A.L. | 1 |
| 28 | *072134 | LEVER - Finger Operating | 1 |
| 29 | 001984 | PIN - Roll, .103 O.D. x .640 O.A.L. | 4 |
| 30 | *072136 | LEVER - Finger Operating | 4 |
| 31 | *007650 | SHAFT - Finger Operating | 1 |
| 32 | 080411 | SHORT LINK - Finger Operating | 1 |
| 33 | 001106 | SCREW - 10-32 x 5/16 | 6 |
| 34 | 017134 | APRON ASSEMBLY | 1 |
| 35 | 072143 | FINGER AND TUBE ASSEMBLY | 6 |
| 36 | 009537 | CASTING - Main Tie Bar | 1 |
| 37 | 074508 | SPRING - Tension, .250 O.D. x .781 O.A.L. (Light Weight) | 1 |
| 38 | 074507 | SPRING HOOK - (Light Weight) | 1 |

*Not Procurable Separately

Parts Catalog

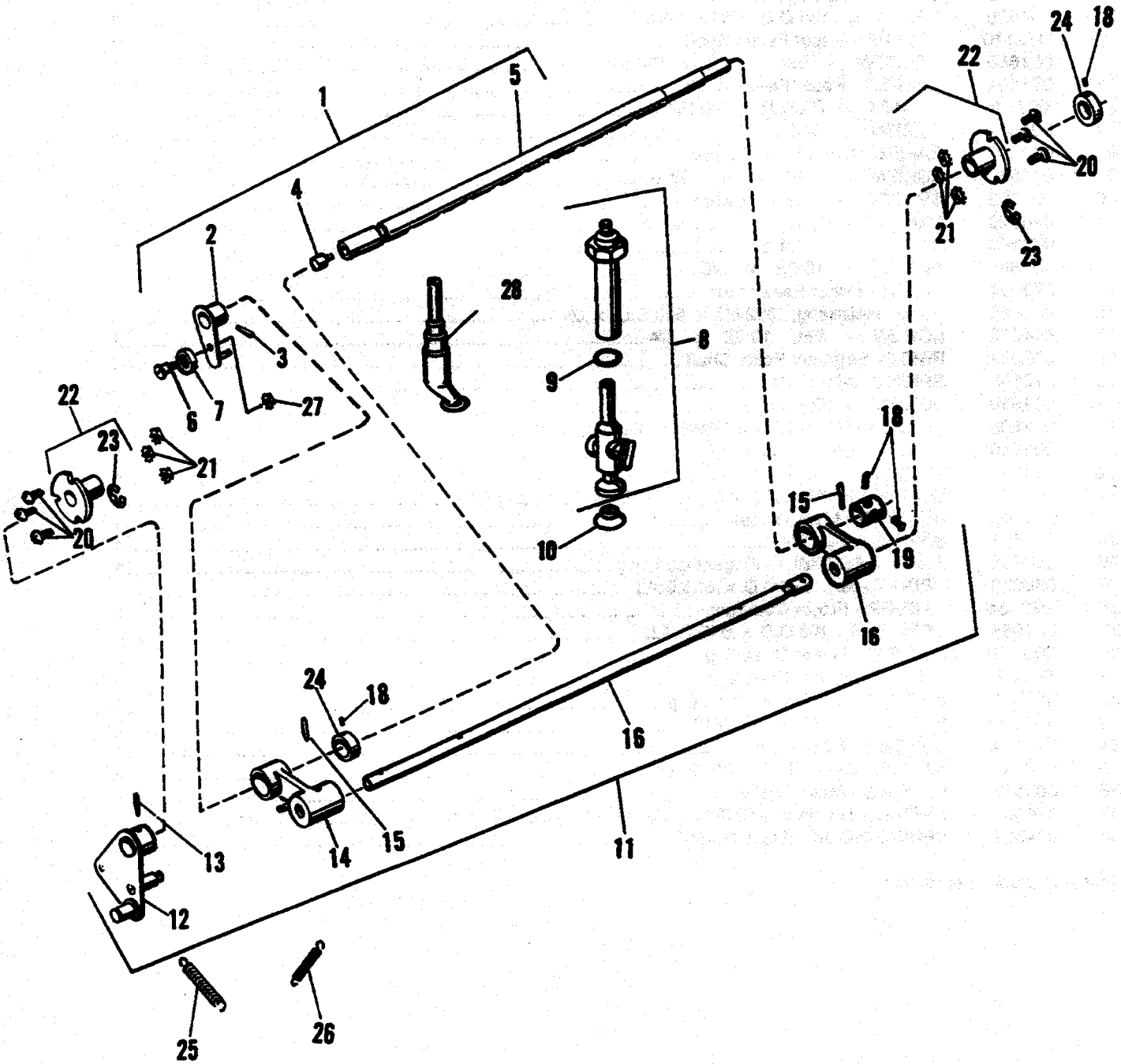


FIGURE 42
MODEL 9815/9850 Sucker Foot Assembly

Parts Catalog

| Index No. | Part No. | MODEL 9805/9850 Figure 42 Description | Units Per Assy. |
|-----------|----------|---|-----------------|
| 1 | 007601 | TUBE ASSEMBLY - Header | 1 |
| 2 | *072710 | LEVER | 1 |
| 3 | 001956 | PIN - Taper, .155 O.D. x .968 O.A.L. | 1 |
| 4 | 073478 | PLUG - Header Tube | 1 |
| 5 | *007602 | TUBE - Header | 1 |
| 6 | 191367 | STUD - Shoulder | 1 |
| 7 | 072712 | TRUCK | 1 |
| 8 | 018014 | SUCKER TUBE | 11 |
| 9 | 101701 | RING - Compression | 11 |
| 10 | 084248 | FOOT - Rubber | 11 |
| 11 | 007563 | SHAFT ASSEMBLY - Feed Raise | 1 |
| 12 | *072245 | LEVER | 1 |
| 13 | 001987 | PIN - Roll, .167 O.D. x .890 O.A.L. | 2 |
| 14 | *072717 | LEVER ASSEMBLY - O.S. | 1 |
| 15 | 000014 | PIN - Taper, .146 O.D. x 1.094 O.A.L. | 2 |
| 16 | *007564 | SHAFT | 1 |
| 17 | *072720 | LEVER ASSEMBLY - N.O.S. | 1 |
| 18 | 014372 | SCREW - Set, 10-32 x 1/4 | 4 |
| 19 | 072422 | COLLAR - Feed Raise Shaft | 1 |
| 20 | 111055 | SCREW - 10-32 x 9/16 | 6 |
| 21 | 150083 | NUT - 10-32 | 6 |
| 22 | 076894 | HOUSING ASSEMBLY - Feed Raise Shaft Bearing | 2 |
| 23 | 101611 | RING - Retaining, .756 I.D. x .044 | 2 |
| 24 | 072748 | COLLAR - Header Tube and Lever | 1 |
| 25 | 073486 | SPRING - Tension, .581 O.D. x 2.437 O.A.L. x .080 | 1 |
| 26 | 072442 | SPRING - Tension, .343 O.D. x 2.000 O.A.L. x .040 | 1 |
| 27 | 150085 | NUT - 1/4-28 | 1 |
| 28 | 970205 | SUCKER TUBE - Curved | 11 |

*Not Procurable Separately

Parts Catalog

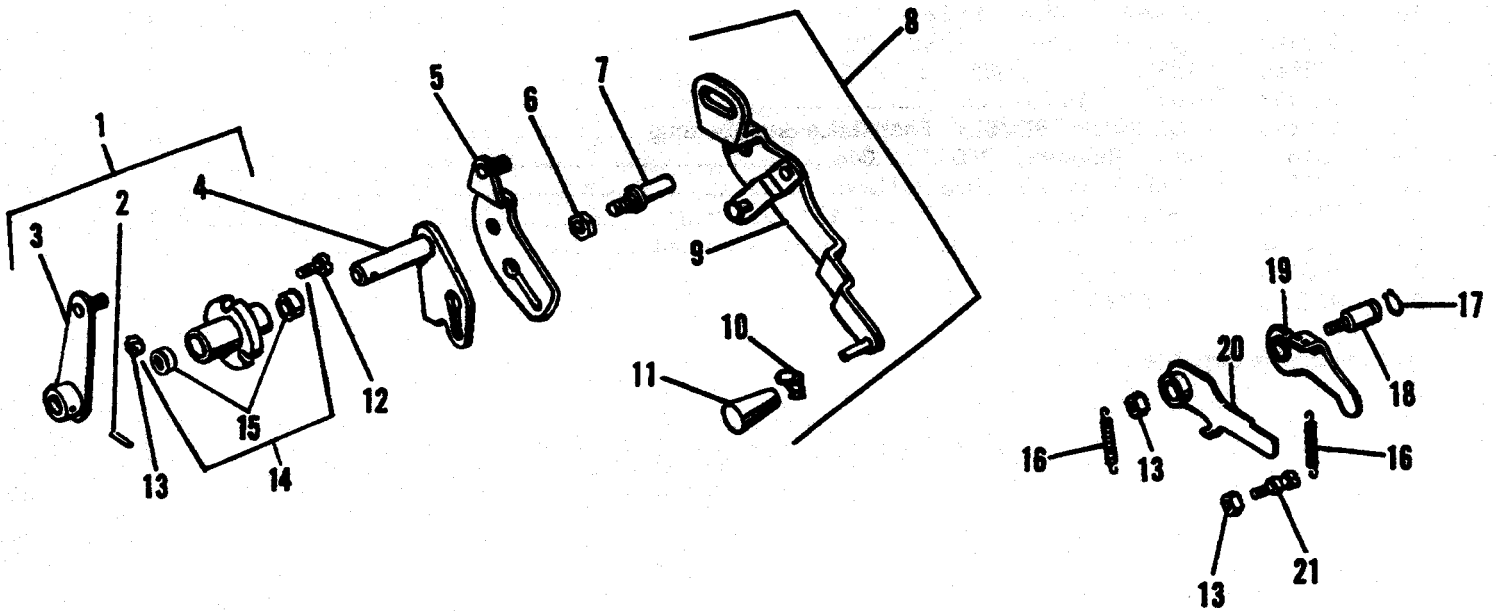


FIGURE 43
MODEL 9815/9850 Paper Height Adjustment

Parts Catalog

| Index No. | Part No. | MODEL 9805/9850 Figure 43 Description | Units Per Assy. |
|-----------|----------|--|--------------------|
| 1 | 080396 | LEVER ASSEMBLY - Table Raising | 1 |
| 2 | 001987 | PIN - Roll, .167 O.D. x .890 O.A.L. | 1 |
| 3 | *080400 | LEVER | 1 |
| 4 | *080397 | LEVER | 1 |
| 5 | 080404 | LEVER - Adjusting | 1 |
| 6 | 150085 | NUT - 1/4-28 | 1 |
| 7 | 080409 | PIVOT PIN | 1 |
| 8 | 011405 | LEVER ASSEMBLY - Dwell Control | 1 |
| 8 | 018553 | LEVER ASSEMBLY - Dwell Control (9840 B) | 1 |
| 9 | 081152 | LEVER | 1 |
| 10 | 072052 | SPRING LOCK | 1 |
| 11 | 011371 | HANDLE | 1 |
| 11 | 017593 | HANDLE (9840 B) | 1 |
| 12 | 005034 | SCREW - 10-32 x 1/2 | 3 |
| 13 | 150083 | NUT - 10-32 | 5 |
| 14 | 080402 | BEARING ASSEMBLY - Table Raising Lever | 1 |
| 15 | 001412 | BUSHING - .441 I.D. x .565 O.D. x .375 O.A.L. | 2 |
| 16 | 072511 | SPRING - Tension, .250 O.D. x 1.125 O.A.L. | 2 |
| 17 | 001047 | RING - Retaining, .340 I.D. x .033 | 1 |
| 18 | 072481 | STUD - 10-32 | 1 |
| 19 | 072478 | LEVER ASSEMBLY - Contact | 1 |
| 20 | 080032 | LEVER ASSEMBLY - Lower Latch | 1 |
| 21 | 072482 | SPRING ANCHOR - Contact Lever Spring | 1 |

*Not Procurable Separately

Parts Catalog

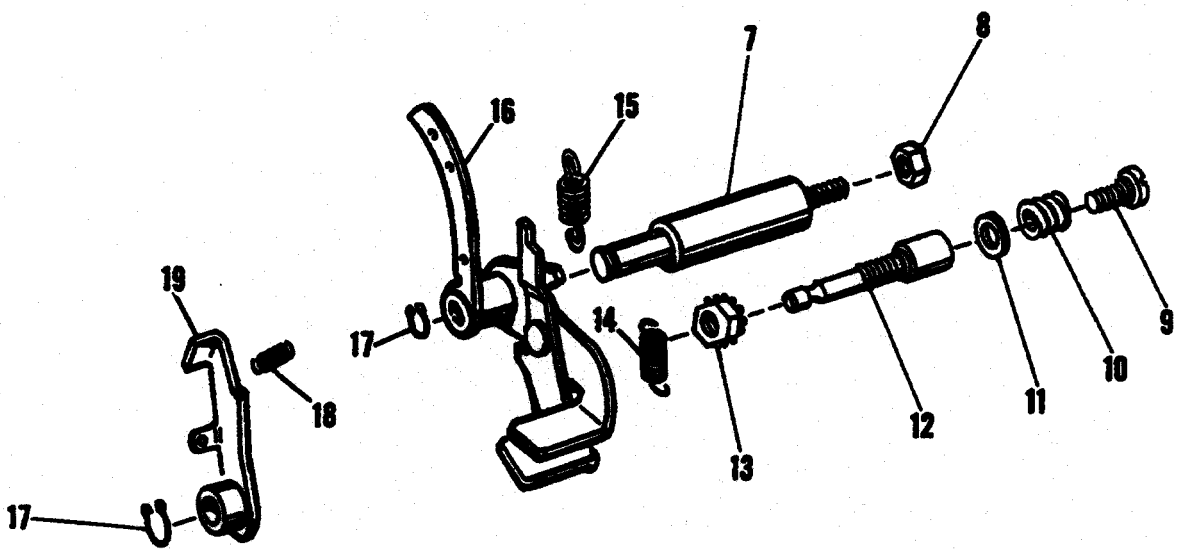
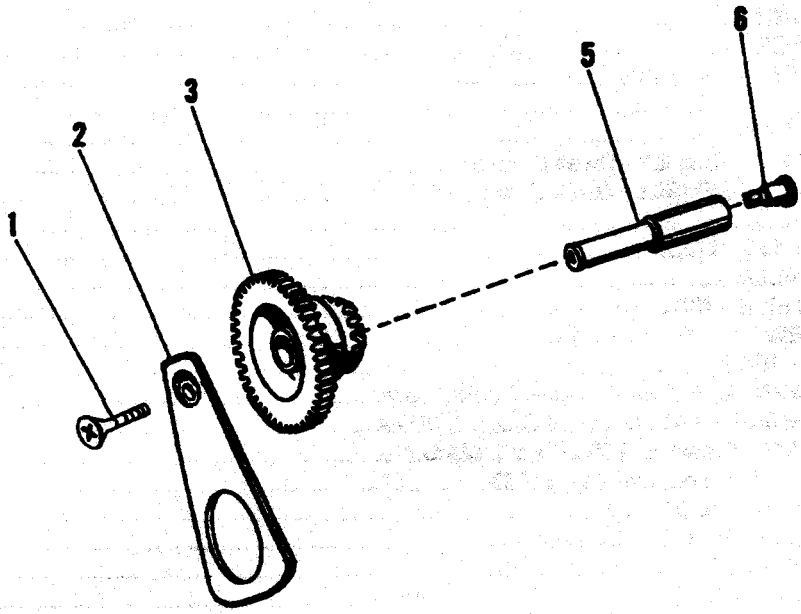


FIGURE 44
MODEL 9815/9850 Feed Table Release Lever

Parts Catalog

| Index No. | Part No. | MODEL 9805/9850 Figure 44 Description | Units Per Assy. |
|-----------|----------|---|-----------------|
| 1 | 001542 | SCREW - 10-32 x 7/16 | 1 |
| 2 | 080184 | PLATE | 1 |
| 3 | 072561 | MITER AND SPUR GEAR | 1 |
| 5 | 007937 | STUD - Miter and Spur Gear | 1 |
| 6 | 194805 | SCREW - Shoulder, 3/8-24 | 1 |
| 7 | 072610 | STUD - Table Release Lever, 3/8-24 | 1 |
| 8 | 150089 | NUT - 3/8-24 | 1 |
| 9 | 080408 | SCREW - 5/16-24 | 1 |
| 10 | 080420 | SPRING - Compression, .728 O.D. x 1.062 O.A.L. | 1 |
| 11 | 001797 | WASHER - .515 I.D. x .812 O.D. x .059 | 1 |
| 12 | 080407 | STUD - Table Release Lever Spring | 1 |
| 13 | 014810 | NUT - 3/8-24 | 1 |
| 14 | 072626 | SPRING - Tension, .300 O.D. x .937 O.A.L. | 1 |
| 15 | 041291 | SPRING - Tension, .343 O.D. x .968 O.A.L. | 1 |
| 16 | 013827 | TABLE RELEASE LEVER ASSEMBLY | 1 |
| 17 | 001047 | RING - Retaining, .340 I.D. x .027 | 2 |
| 18 | 041777 | SPRING - Compression, .312 O.D. x 1.344 O.A.L. | 1 |
| 19 | 072484 | UPPER LATCH LEVER | 1 |

Parts Catalog

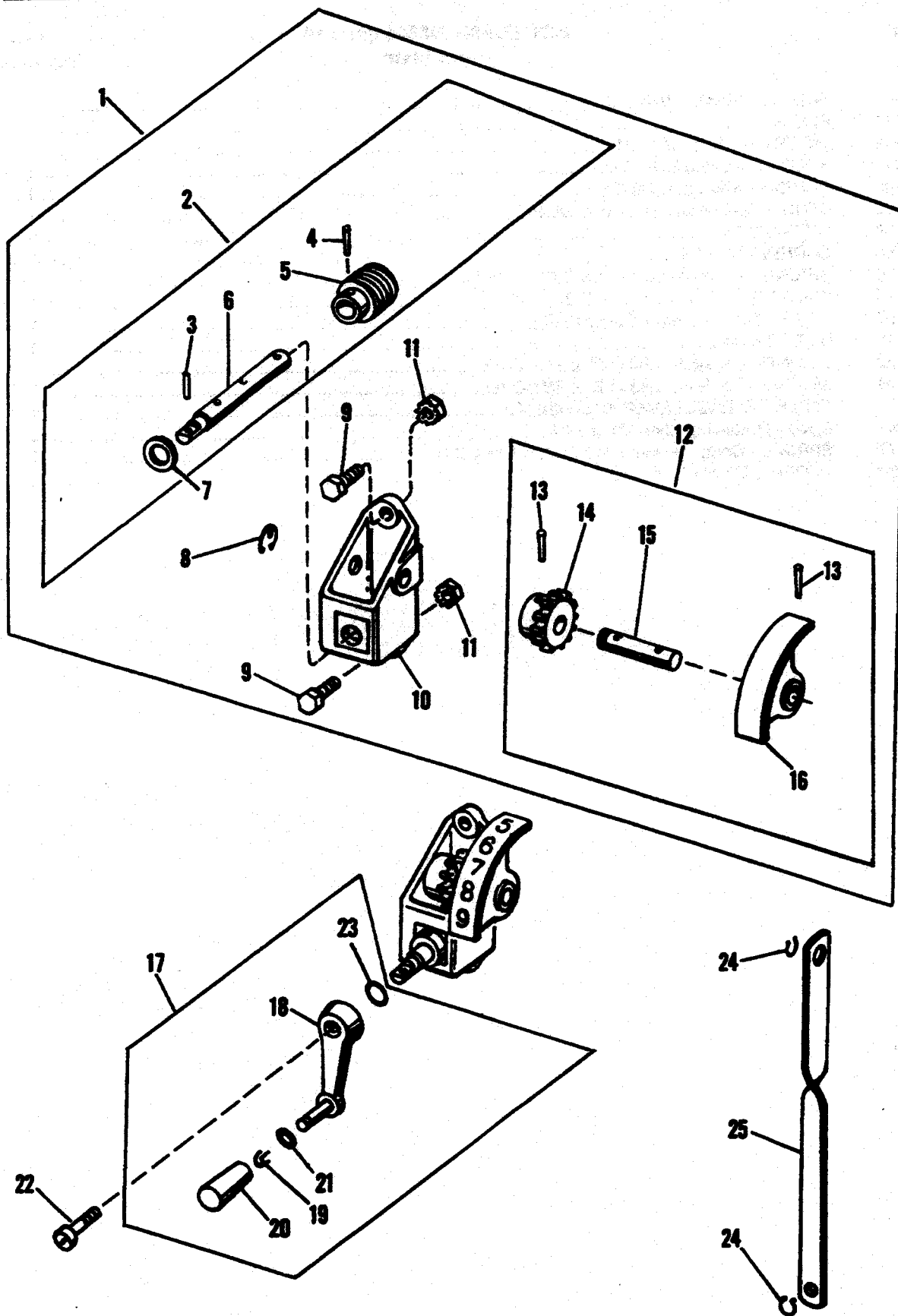


FIGURE 45
MODEL 9815/9850 Motor Speed Mechanism

Parts Catalog

| Index No. | Part No. | MODEL 9805/9850 Figure 45 Description | Units Per Assy. |
|-----------|----------|--|-----------------|
| 1 | 012022 | MOTOR SPEED INDICATOR ASSEMBLY | 1 |
| 2 | 076737 | WORM SHAFT ASSEMBLY | 1 |
| 3 | 001980 | PIN - Roll, .135 O.D. x .640 O.A.L. | 1 |
| 4 | 014902 | PIN - Taper, .125 O.D. x .720 O.A.L. | 1 |
| 5 | *076739 | WORM | 1 |
| 6 | *076738 | SHAFT | 1 |
| 7 | 014718 | WASHER - Spring, 1/2 | 1 |
| 8 | 001094 | RING - Retaining, .394 I.D. x .800 O.D. x .044 | 1 |
| 9 | 111074 | SCREW - 1/4-28 x 3/4 | 2 |
| 9 | 111075 | SCREW - 1/4-28 x 7/8 (1:1 CD) | 1 |
| 10 | 076742 | HOUSING | 1 |
| 11 | 150084 | NUT - 1/4-28 | 2 |
| 12 | 076740 | GEAR AND SHAFT ASSEMBLY | 1 |
| 13 | 001956 | PIN - Taper, .135 O.D. x 1.000 O.A.L. | 2 |
| 14 | *076735 | GEAR | 1 |
| 15 | *072647 | SHAFT | 1 |
| 16 | *072641 | LEVER | 1 |
| 17 | 017595 | CRANK ASSEMBLY | 1 |
| 18 | 027594 | CRANK | 1 |
| 19 | 072052 | SPRING - Lock | 1 |
| 20 | 017593 | HANDLE | 1 |
| 21 | 014740 | WASHER - .162 I.D. x 5/16 O.D. x .0478 | 1 |
| 22 | 096244 | SCREW - Special, 10-32 x 1.000 O.A.L. | 1 |
| 23 | 039642 | RING - Vinyl, .155 I.D. x .295 O.D. x .075 | 1 |
| 24 | 001047 | RING - Retaining, .340 I.D. x .027 | 2 |
| 25 | 072650 | LINK - Twisted | 1 |

*Not Procurable Separately

Parts Catalog

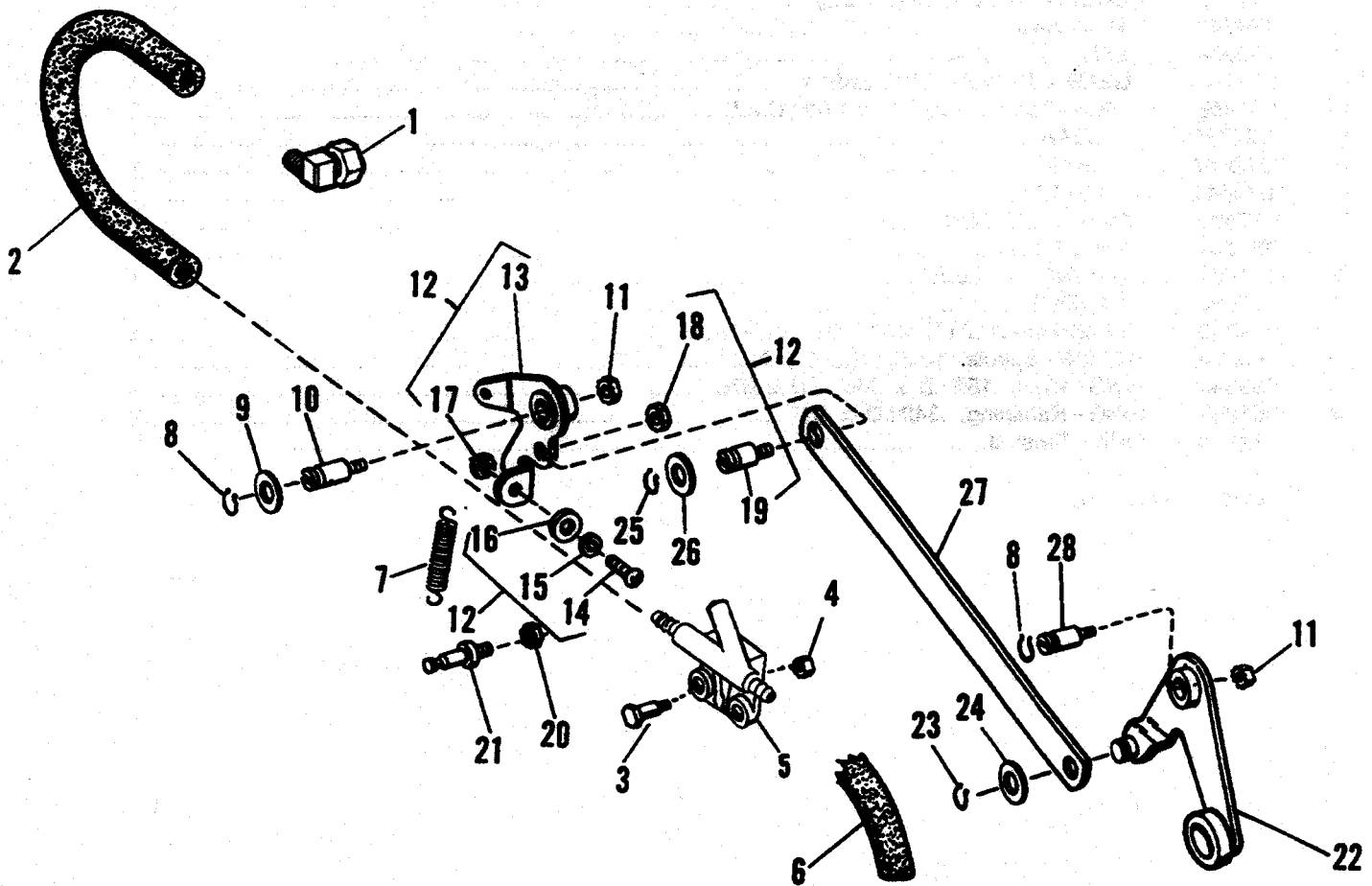


FIGURE 46
MODEL 9815/9850 Vacuum Make and Break Control

Parts Catalog

| Index No. | Part No. | MODEL 9805/9850 Figure 46 Description | Units Per Assy. |
|-----------|----------|--|-----------------|
| 1 | 191844 | ELBOW - Vacuum Hose | 1 |
| 2 | 072254 | HOSE - Vacuum | 1 |
| 3 | 193894 | SCREW - Vacuum Valve | 2 |
| 4 | 150085 | NUT - 1/4-28 | 2 |
| 5 | 076142 | VALVE - Vacuum | 1 |
| 6 | 072256 | TUBE - Sucker | 1 |
| 7 | 072442 | SPRING - Tension, .343 I.D. x 2.000 O.A.L. | 1 |
| 8 | 001047 | RING - Retaining, .340 I.D. x .027 | 2 |
| 9 | 001755 | WASHER - .385 I.D. x .625 O.D. x .047 | 1 |
| 10 | 073497 | STUD - Vacuum Break Lever | 1 |
| 11 | 150083 | NUT - 10-32 | 2 |
| 12 | 073496 | LEVER ASSEMBLY - Vacuum Break | 1 |
| 13 | 071570 | LEVER - Vacuum Break | 1 |
| 14 | 014369 | SCREW - 8-32 x 3/8 | 1 |
| 15 | 003850 | WASHER - .172 I.D. x .375 O.D. x .059 | 1 |
| 16 | 072704 | WASHER - Leather, .172 I.D. x .322 O.D. x .063 | 1 |
| 17 | 014811 | NUT - 8-32 | 1 |
| 18 | 014808 | NUT - 10-32 | 1 |
| 19 | 073498 | PIN - Vacuum Break Lever | 1 |
| 20 | 014808 | NUT - 10-32 | 1 |
| 21 | 072412 | STUD - Vacuum Break Lever Spring | 1 |
| 22 | 073493 | LEVER - Cam Roller | 1 |
| 23 | 001049 | RING - Retaining, .227 I.D. x .027 | 1 |
| 24 | 021203 | WASHER - .254 I.D. x .500 O.D. x .029 | 1 |
| 25 | 001046 | RING - Retaining, .283 I.D. x .027 | 1 |
| 26 | 001750 | WASHER - .328 I.D. x .562 O.D. x .047 | 1 |
| 27 | 073494 | LINK - Vacuum | 1 |
| 28 | 072734 | STUD - Cam Roller Lever | 1 |

Parts Catalog

9805's 3/8" START

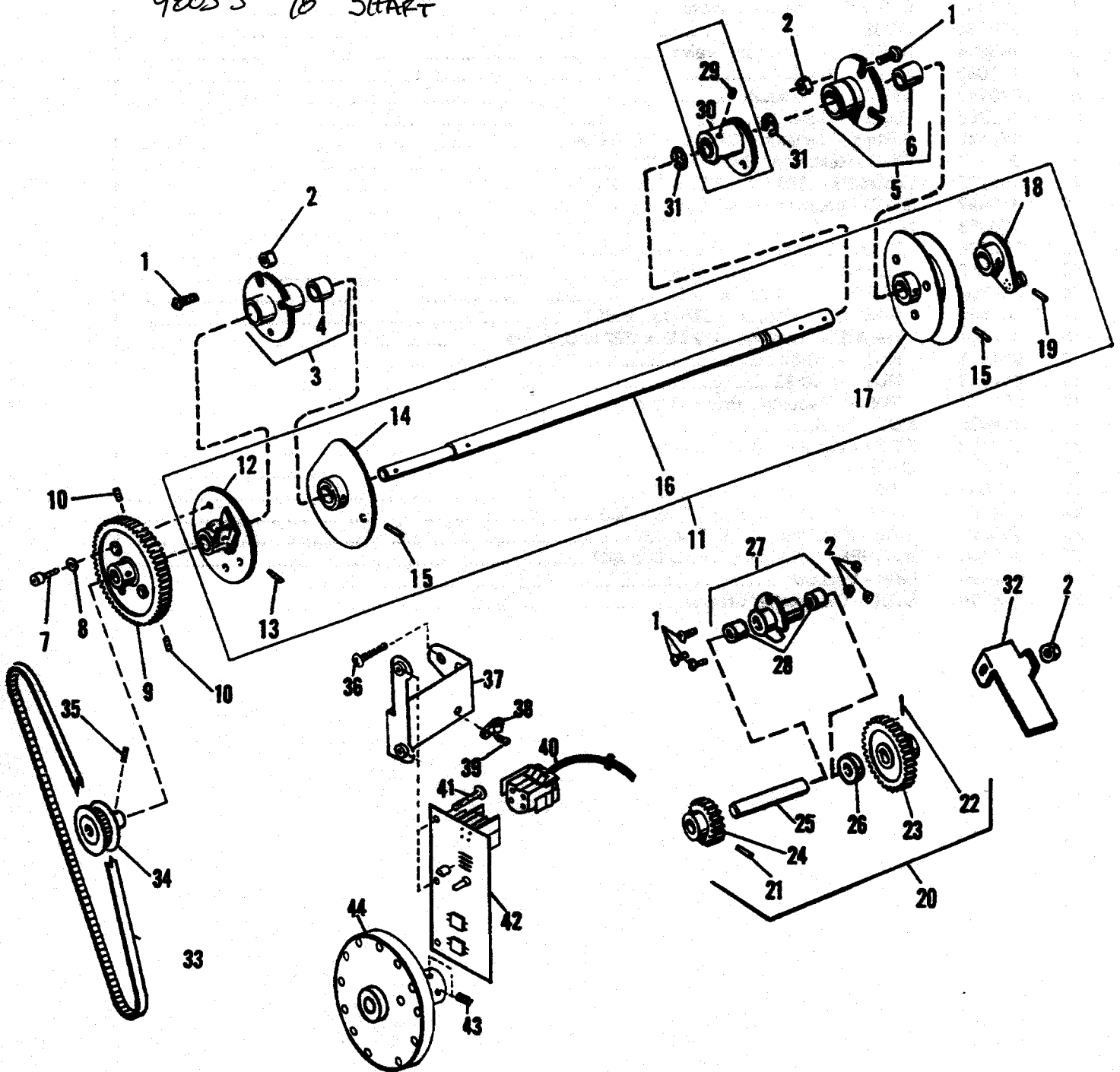


FIGURE 47
MODEL 9815/9850 Cam Shaft Assembly

Parts Catalog

| Index No. | Part No. | MODEL 9805/9850 Figure 47 Description | Units Per Assy. |
|-----------|----------|--|-----------------|
| 1 | 111055 | SCREW - 10-32 x 9/16 | 9 |
| 2 | 150083 | NUT - 10-32 | 9 |
| 3 | 073506 | HOUSING ASSEMBLY - 3/8" Diameter Shaft | 1 |
| 3 | 080376 | HOUSING ASSEMBLY - 1/2" Diameter Shaft | 1 |
| 4 | 001456 | BUSHING - .379 I.D. x .504 O.D. x 1.000 O.A.L. | 1 |
| 4 | 001416 | BUSHING - .504 I.D. x .627 O.D. x 1.000 O.A.L. | 3 |
| 5 | 072181 | HOUSING ASSEMBLY | 1 |
| 6 | 001420 | BUSHING | 1 |
| 7 | 014212 | SCREW - 1/4-28 x 3/4 | 3 |
| 8 | 005620 | WASHER - .254 I.D. x 5/8 O.D. x .059 | 3 |
| 9 | 080378 | GEAR | 1 |
| 10 | 014342 | SCREW - 10-32 x 5/8 | 2 |
| 11 | 017822 | SHAFT ASSEMBLY - Cam, Optical TD & QP - 3/8" DIA. | 1 |
| 11 | 017487 | SHAFT ASSEMBLY - Cam, Hall Effect TD & QP - 3/8" DIA. | 1 |
| 11 | 017821 | SHAFT ASSEMBLY - Cam, Optical CD, QPC & PRO - 1/2" DIA. | 1 |
| 11 | 017485 | SHAFT ASSEMBLY - Cam, Hall Effect CD, QPC & PRO - 1/2" DIA. <i>9810's</i> | 1 |
| 12 | *080414 | CAM | 1 |
| 13 | 000022 | PIN - Taper, .163 O.D. x .790 O.A.L. | 1 |
| 15 | 000023 | PIN - Taper, .158 O.D. x .978 O.A.L. | 2 |
| 16 | *017780 | SHAFT | 1 |
| 18 | *072605 | CAM | 1 |
| 19 | 000024 | PIN - Taper, .154 O.D. x 1.094 O.A.L. | 1 |
| 20 | >078450 | GEAR SHAFT ASSEMBLY - CD, QPC & PRO | 1 |
| 20 | 016380 | GEAR SHAFT ASSEMBLY - CD, QPC & PRO | 1 |
| 20 | 072336 | GEAR SHAFT ASSEMBLY - TD & QP | 1 |
| 21 | 014902 | PIN - Taper, .110 O.D. x .720 O.A.L. | 2 |
| 22 | >001992 | PIN - Roll, .135 O.D. x 1.015 O.A.L. TD, CD, OP, QPC & PRO | 1 |
| 22 | 101333 | PIN - Spiral, .136 O.D. x .947 O.A.L. | 1 |
| 22 | 000012 | PIN - Taper, .123 O.D. x .998 O.A.L. | 1 |
| 23 | *071625 | GEAR - TD and QP | 1 |
| 23 | *078445 | GEAR - CD, QPC and PRO | 1 |
| 24 | *072338 | GEAR | 1 |
| 25 | *072337 | SHAFT | 1 |
| 26 | 192273 | SPACER - TD and QP | 1 |
| 27 | 072333 | HOUSING ASSEMBLY | 1 |
| 28 | 001404 | BUSHING - TD & QP | 2 |
| 29 | 001573 | SCREW - Set, 1/4-28 x 5/16, CD, QPC & PRO | 2 |
| 30 | 080199 | CAM - CD, QPC & PRO | 1 |
| 31 | 014510 | RING - E, .483 I.D. x .940 O.D. x .044 CD, QPC & PRO | 2 |
| 32 | 072051 | SHIELD | 1 |
| 33 | 196239 | BELT - Timing | 1 |
| 34 | 196240 | PULLEY - Timing, Optical | 1 |
| 35 | 130033 | SCREW - Set, 8-32 x 1/4, cup point | 2 |
| 36 | 001567 | SCREW - 1/4-28 x 3/8 | 2 |
| 37 | 017478 | BRACKET ASSEMBLY - Clock, Hall Effect | 1 |
| 38 | 250205 | CLAMP - Cable, 1/8 | 1 |
| 39 | 100222 | SCREW - Thread Forming, #6 x 5/16 | 1 |
| 40 | 017490 | HARNES ASSEMBLY - N.O.S., Hall Effect | 1 |
| 40 | 990520 | HARNES ASSEMBLY - Hall Effect, (Old Design) | 1 |
| 41 | 001541 | SCREW - 6-32 x 3/8 | 2 |
| 42 | 017742 | P.C. BOARD ASSEMBLY - Clock/Sync., Hall Effect | 1 |
| 43 | 014108 | SCREW - Set, 10-32 x 3/8 | 2 |
| 44 | 017480 | WHEEL ASSEMBLY - Hall Effect | 1 |

*Not Procurable Separately

>For Chain Delivery with Aluminum Frames

Parts Catalog

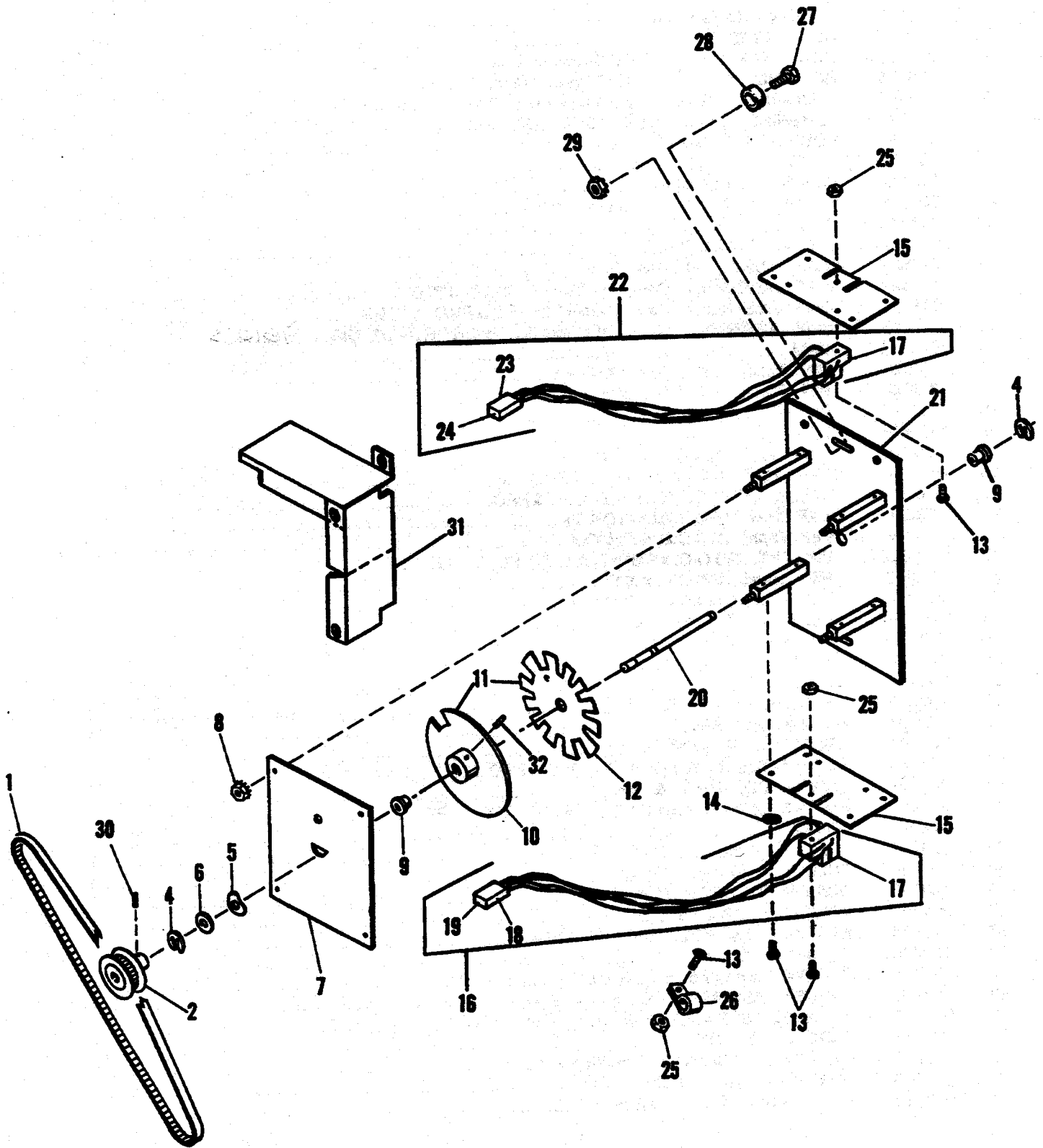


FIGURE 48
MODEL 9815/9850 Clock Sync. Mech. Assembly

Parts Catalog

| Index No. | Part No. | MODEL 9805/9850 Figure 48 Description | Units Per Assy. |
|-----------|----------|--|-----------------|
| 1 | 196239 | BELT - Timing | 1 |
| 2 | 196240 | PULLEY - Timing | 2 |
| 3 | 018391 | CLOCK SYNC. MECH. ASSEMBLY - (New Design, Not Illustrated) | 1 |
| 4 | 001095 | RING - Retaining, .245 I.D. x .027 | 2 |
| 5 | 195645 | WASHER - Spring, .324 I.D. x .510 O.D. | 1 |
| 6 | 191826 | WASHER - Shim, .318 I.D. x .010 | AR |
| 7 | 017731 | COVER PLATE- (Old Design) | 1 |
| 7 | 018392 | COVER PLATE - (New Design, Not Illustrated) | 1 |
| 8 | 014808 | NUT - 10-32 | 4 |
| 9 | 027071 | BEARING | 2 |
| 10 | 017729 | WHEEL ASSEMBLY - Clock | 1 |
| 11 | 018394 | WHEEL ASSEMBLY - Clock/Sync. (New Design, Not Illustrated) | 1 |
| 12 | 017730 | WHEEL ASSEMBLY - Synchronizing | 1 |
| 13 | 101216 | SCREW - 4-40 x 3/8 | 12 |
| 14 | 001711 | WASHER- Lock, .265 O.D. x .123 I.D. | 8 |
| 15 | 017778 | SENSOR MOUNTING PLATE | 2 |
| 16 | 017951 | SENSOR ASSEMBLY - Sync. | 1 |
| 17 | *252785 | SWITCH - Optical, Slotted | 2 |
| 18 | 252793 | HOUSING - Socket | 1 |
| 19 | 252527 | TERMINAL - Pin | 3 |
| 20 | 017779 | SHAFT - (Old Design) | 1 |
| 20 | 018398 | SHAFT - (New Design) | 1 |
| 21 | 017782 | BASE PLATE ASSEMBLY - (Old Design) | 1 |
| 21 | 018393 | BASE PLATE ASSEMBLY - (New Design, Not Illustrated) | 1 |
| 22 | 017952 | SENSOR ASSEMBLY - Clock | 1 |
| 23 | 252823 | HOUSING - Plug | 1 |
| 24 | 252528 | TERMINAL - Socket | 3 |
| 25 | 100228 | NUT - 4-40 | 4 |
| 26 | 250552 | CLAMP - Cable, 3/16 | 2 |
| 27 | 111075 | SCREW - 1/4-28 x 7/8 | 2 |
| 28 | 193778 | SPACER | 2 |
| 29 | 014807 | NUT - 1/4-28 | 2 |
| 30 | 130033 | SCREW - Set, 8-32 x 1/4, cup point | 2 |
| 31 | 018401 | COVER - Clock/Sync. | 1 |
| 31 | 018403 | COVER - Clock/Sync. (New Design, Not Illustrated) | 1 |
| 32 | 014249 | SCREW - Set, 6-323 x 3/16 | 4 |

*Not Procurable Separately

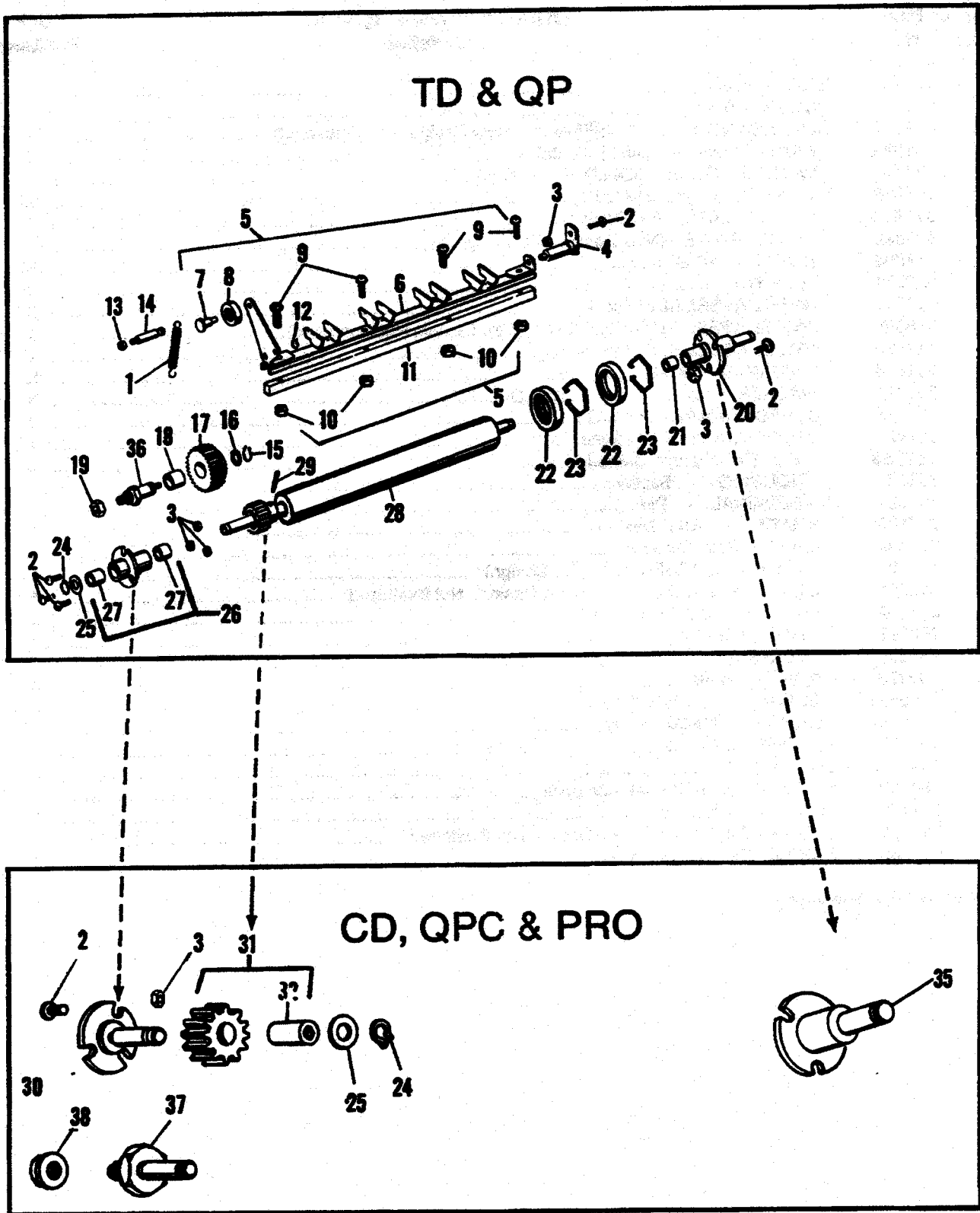


FIGURE 49
MODEL 9815/9850 Striper Assembly and Delivery Roller

Parts Catalog

| Index No. | Part No. | MODEL 9805/9850 Figure 49 Description | Units Per Assy. |
|-----------|-----------|--|-----------------|
| 1 | 058552 | SPRING - Tension, .343 O.D. x 1.750 O.A.L. | 1 |
| 2 | 111055 | SCREW - 10-32 x 9/16 | 7 |
| 3 | 150083 | NUT- 10-32 | 7 |
| 4 | 072314 | PIVOT - Stripper Assembly | 1 |
| 5 | ***007696 | CHANNEL ASSEMBLY - Stripper | 1 |
| 6 | 007697 | STRIPPER CHANNEL | 1 |
| 7 | 064112 | RIVET | 1 |
| 8 | 064234 | BEARING | 1 |
| 9 | 001267 | SCREW - 10-32 x 3/4 | 4 |
| 10 | 014808 | NUT - 10-32 | 4 |
| 11 | 007699 | BAR - Stripper Channel Support | 1 |
| 12 | 001044 | RING - Retaining, .170 I.D. x .017 | 1 |
| 13 | 014807 | NUT - 1/4-28 | 1 |
| 14 | 072328 | SPRING ANCHOR - Stripper Channel Spring | 1 |
| 15 | 001048 | RING - Retaining, .463 I.D. x .037 | 1 |
| 16 | 014712 | WASHER - .515 I.D. x .750 O.D. x .029 | 1 |
| 17 | 072325 | IDLER GEAR ASSEMBLY | 1 |
| 18 | 001413 | BUSHING - .503 I.D. x .625 O.D. x .750 O.A.L. | 1 |
| 19 | 150088 | NUT - 3/8-16 | 1 |
| 20 | 072184 | STUD ASSEMBLY - Raise, TD and QP | 1 |
| 21 | 001404 | BUSHING - .379 I.D. x .504 O.D. x .500 O.A.L. | 1 |
| 22 | 072628 | COLLAR - Adjustable | 2 |
| 23 | 072629 | SPRING - Friction | 2 |
| 24 | 001047 | RING - Retaining, .340 I.D. x .027 | 1 |
| 25 | 014727 | WASHER - .382 I.D. x .750 O.D. x .029 | 1 |
| 26 | 072333 | HOUSING ASSEMBLY - Delivery Roller, TD and QP | 2 |
| 27 | 001404 | BUSHING - .379 I.D. x .504 O.D. x .500 O.A.L. | 2 |
| 28 | 007751 | ROLLER AND GEAR DELIVERY - TD and QP | 1 |
| 29 | 001978 | PIN - Roll, .135 O.D. x .640 O.A.L. | 1 |
| 30 | >080195 | SHAFT ASSEMBLY - Delivery Roller Gear, CD, QPC and PRO | 1 |
| 31 | >078492 | GEAR ASSEMBLY - CD, QPC and PRO | 1 |
| 31 | 016378 | GEAR ASSEMBLY - CD, QPC and PRO | 1 |
| 32 | 001401 | BUSHING - .379 I.D. x .504 O.D. x .750 O.A.L. | 1 |
| 32 | >060012 | BUSHING - .504 O.D. x .379 I.D. x .937 CD, QPC and PRO | 1 |
| 33 | 014727 | WASHER - .382 I.D. x .750 O.D. x .029, CD, QPC and PRO | 1 |
| 34 | 001047 | RING - Retaining, .340 I.D. x .027, CD, QPC and PRO | 1 |
| 35 | 080192 | STUD - Follower Lever Pivot, CD, QPC and PRO | 1 |
| 36 | 072327 | STUD - Idler Gear | 1 |
| 37 | 150089 | NUT - 3/8-24 | 1 |
| 38 | 196388 | STUD | 1 |

***Not Available as An Assembly
>For Chain Delivery With Aluminum Frames

Parts Catalog

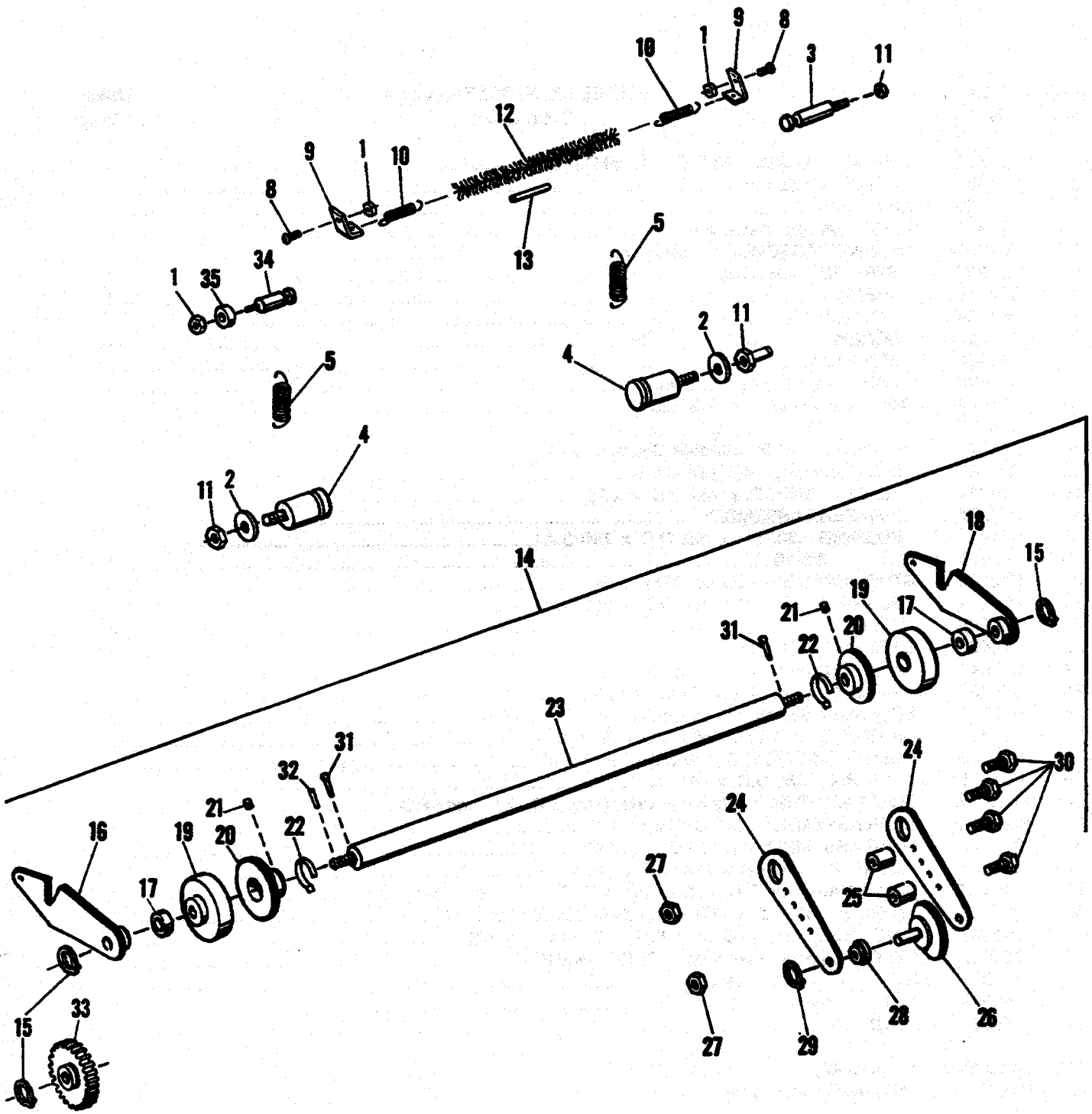


FIGURE 50
MODEL 9815/9850 Adjustable Roller Assembly

Parts Catalog

| Index No. | Part No. | MODEL 9805/9850 Figure 50 Description | Units Per Assy. |
|-----------|-----------|--|--------------------|
| 1 | 014807 | NUT - 1/4-28 | 3 |
| 2 | 061452 | SPACER | 2 |
| 3 | 078368 | ANCHOR - Spring | 1 |
| 4 | 078363 | PIVOT - Cradle Arm | 2 |
| 5 | 073459 | SPRING - Tension, .359 O.D. x 2.062 O.A.L. | 2 |
| 8 | 014110 | SCREW - 1/4-28 x 1/2 | 2 |
| 9 | 072347 | BRACKET - Tinsel | 2 |
| 10 | 050621 | SPRING - Tension, .218 O.D. x 1.218 O.A.L. | 2 |
| 11 | 150085 | NUT - 1/4-28 | 4 |
| 12 | **** | TINSEL | AR |
| 13 | 196343 | TUBING - Vinyl | 1 |
| 14 | ***008290 | ROLLERASSEMBLY | 1 |
| 15 | 001060 | RING - Retaining, .208 I.D. x .527 O.D. x .027 | 3 |
| 16 | 078367 | ARM ASSEMBLY - N.O.S. | 1 |
| 17 | 001409 | BUSHING - .254 I.D. x .379 O.D. x .312 O.A.L. | 2 |
| 18 | 078364 | ARM ASSEMBLY - O. S. | 1 |
| 19 | 077866 | ROLLER - Hold Down | 2 |
| 20 | 013287 | ROLLER - Adjustable | 2 |
| 21 | 077236 | PLUG - Friction | 2 |
| 22 | 077117 | CLIP - Adjustable Roller | 2 |
| 23 | 008289 | SHAFT - Adjustable Roller | 1 |
| 24 | 013913 | BRACKET | 4 |
| 25 | 195322 | SPACER | 4 |
| 26 | 007236 | ROLLER - Adjustable, Lower | 2 |
| 27 | 014248 | NUT - Lock, 10-32 | 4 |
| 28 | 012913 | HUB ASSEMBLY | 4 |
| 29 | 101005 | RING- Retaining, .397 I.D. x .027 | 4 |
| 30 | 111059 | SCREW - Hex, 10-32 x 1.000 O.A.L. | 4 |
| 31 | 100388 | PIN - Cotter, .060 O.D. x 1.000 O.A.L. | 2 |
| 32 | 100398 | PIN - Roll, .103 O.D. x .577 O.A.L. | 1 |
| 33 | 076684 | GEAR - 24T | 1 |
| 34 | 078368 | ANCHOR - Spring | 1 |
| 35 | 193778 | SPACER | 1 |

***Not Available As An Assembly

****Order as supply #670 (2 rolls = 12 yds. or 10.9 M. each)

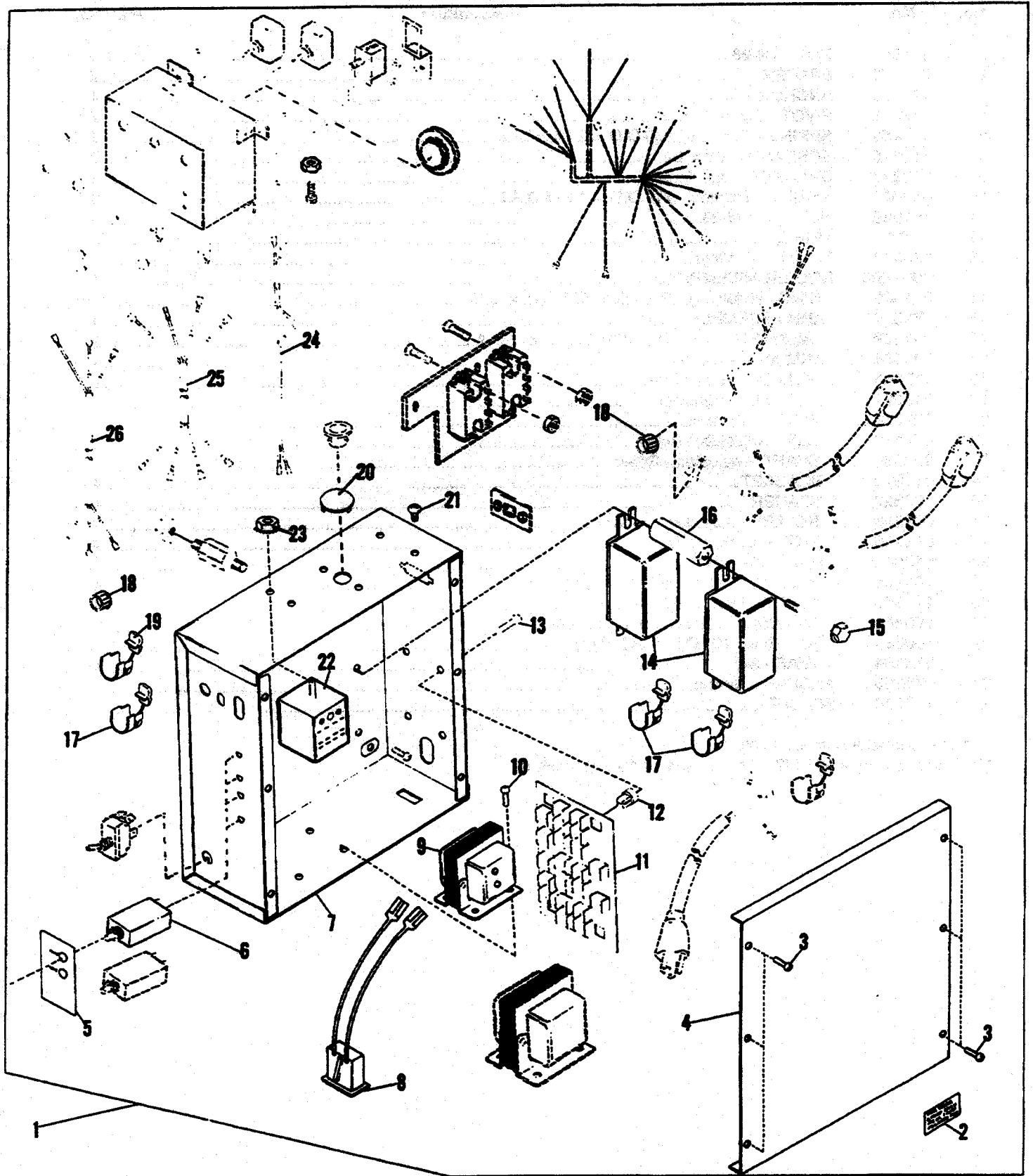


FIGURE 50A
MODEL 9805/9810 Control and Switch Box Assemblies - Part I

Parts Catalog

| Index No. | Part No. | MODEL 9805/9850 Figure 50A Description | Units Per Assy. |
|-----------|----------|---|-----------------|
| 1 | 018195 | CONTROL AND SWITCH BOX ASSEMBLY - 115V. 50/60 HZ. | 1 |
| 1 | 018319 | CONTROL AND SWITCH BOX ASSEMBLY - 220V. 60 HZ. | 1 |
| 1 | 018320 | CONTROL AND SWITCH BOX ASSEMBLY - 240V. 50 HZ. | 1 |
| 1 | 018322 | CONTROL AND SWITCH BOX ASSEMBLY - 220V. 50 HZ. | 1 |
| 2 | 079609 | METAL CAL - Work Lamp | 1 |
| 3 | 001580 | SCREW - Thread Forming, 6-20 x 3/16 | 6 |
| 4 | 082302 | COVER - Control Box | 1 |
| 5 | 078585 | METAL CAL - Circuit Breaker, 115V. | 1 |
| 5 | 078584 | METAL CAL - Circuit Breaker, 220/240V. | 1 |
| 6 | 250051 | BREAKER - Circuit, 10 Amp. 115V. <i>15 Amp DRIVE 250050</i> | 1 |
| 6 | 252537 | BREAKER - Circuit, 8 Amp. 240V. | 2 |
| 6 | 252838 | BREAKER - Circuit, 5 Amp. 220/230v. | 2 |
| 7 | 079087 | CONTROL BOX ASSEMBLY | 1 |
| 8 | 079618 | RECEPTACLE ASSEMBLY - 115V | 1 |
| 8 | 079613 | RECEPTACLE ASSEMBLY - 220/240V. | 1 |
| 9 | 076873 | TRANSFORMER ASSEMBLY - T1, 115V. - 24V. | 1 |
| 9 | 076874 | TRANSFORMER - T1, 220/240V. - 24V. | 1 |
| 10 | 001575 | SCREW - 10-32 x 5/16 | 4 |
| 11 | 079090 | TERMINAL BOARD ASSEMBLY | 1 |
| 12 | 101353 | NUT - Expansion, #8 | 4 |
| 13 | 101162 | SCREW - Thread Forming, 8-15 x 1/2 | 4 |
| 14 | 252477 | RELAY - Power D.P.D.T., 24 VAC. | 2 |
| 15 | 101979 | SCREW - 6-32 x 1 3/4 | 2 |
| 16 | 196650 | SPACER - Plastic Hex., 1 3/8 O.A.L. | 2 |
| 17 | 250293 | STRAIN RELIEF - 5/8 O.D. | 4 |
| 18 | 250200 | BUSHING - 1/2 Hole | 2 |
| 19 | 275000 | STRAIN RELIEF - 1/2 O.D. | 2 |
| 20 | 100520 | PLUG - 1/2 Hole | 1 |
| 21 | 001543 | SCREW - 8-32 x 3/16 | 4 |
| 22 | 252476 | RELAY - Control S.P.D.T., 24 VAC. | 1 |
| 23 | 014812 | NUT - 6-32 | 2 |
| 24 | 079097 | CABLE ASSEMBLY - O.S. | 1 |
| 25 | 079093 | CORD ASSEMBLY - Connector, Drive | 1 |
| 26 | 196118 | CORD ASSEMBLY - Connector, Vacuum | 1 |

Parts Catalog

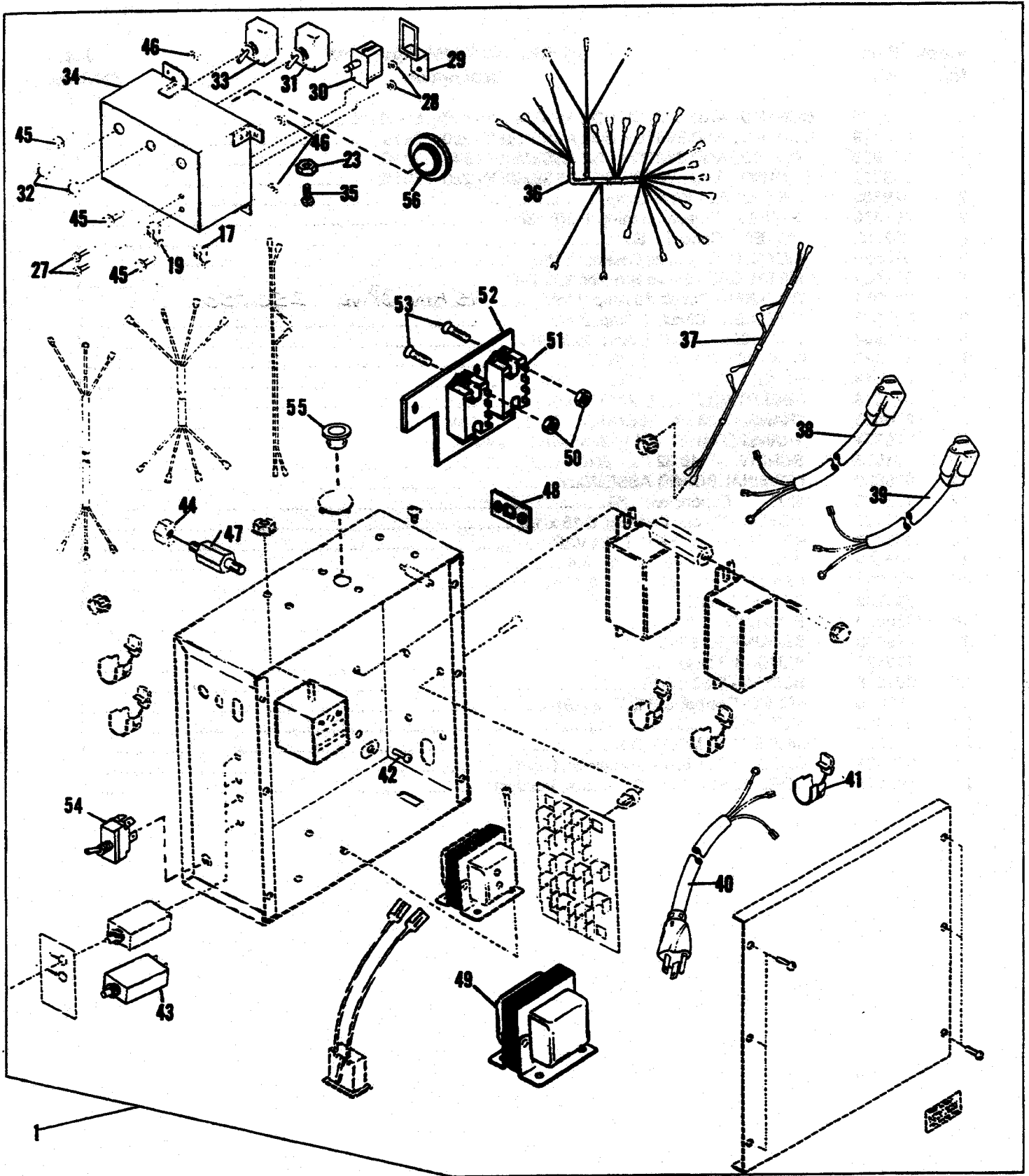


FIGURE 50B
MODEL 9805/9810 Control and Switch Box Assemblies - Part II

Parts Catalog

| Index No. | Part No. | MODEL 9805/9850 Figure 50B Description | Units Per Assy. |
|-----------|----------|--|-----------------|
| 1 | 018195 | CONTROL AND SWITCH BOX ASSEMBLY - 115V. 50/60 HZ | 1 |
| 1 | 018319 | CONTROL AND SWITCH BOX ASSEMBLY - 220V. 60 HZ | 1 |
| 1 | 018320 | CONTROL AND SWITCH BOX ASSEMBLY - 240V. 50 HZ | 1 |
| 1 | 018322 | CONTROL AND SWITCH BOX ASSEMBLY - 220V. 50 HZ | 1 |
| 17 | 250293 | STRAIN RELIEF - 5/8 O.D. | 4 |
| 19 | 275000 | STRAIN RELIEF - 1/2 O.D. | 2 |
| 23 | 014812 | NUT - 6-32 | 2 |
| 27 | 100657 | SCREW - 10-32 X 5/16 | 2 |
| 28 | 001702 | WASHER - .196 I.D. x .500 O.D. x .031 | 2 |
| 29 | 018092 | BRACKET ASSEMBLY - Service By - Pass | 1 |
| 30 | 250952 | SWITCH - Push-Pull, Service By - Pass | 1 |
| 31 | 253238 | SWITCH - Toggle, Vacuum | 1 |
| 32 | 018229 | NUT - 15/32 - 32 | 2 |
| 33 | 250865 | SWITCH - Toggle, Drive | 1 |
| 34 | 018186 | SWITCH BOX ASSEMBLY | 1 |
| 35 | 001548 | SCREW - 6-32 X 3/8, Grounding | 1 |
| 36 | 018249 | HARNESS ASSEMBLY- Control Box, 115V. 50/60 HZ. | 1 |
| 36 | 018318 | HARNESS ASSEMBLY - Control Box, 220/240V. 50/60 HZ. | 1 |
| 37 | 079099 | CABLE ASSEMBLY - N.O.S. 115/220V | 1 |
| 37 | 018321 | CABLE ASSEMBLY - N.O.S. 240V | 1 |
| 38 | 196121 | CORD ASSEMBLY - Motor, Vacuum | 1 |
| 39 | 196117 | CORD ASSEMBLY - Motor Drive | 1 |
| 40 | 196230 | CORD ASSEMBLY - Power 115 VAC. | 1 |
| 41 | 059717 | STRAIN RELIEF - 7/8 O.D. | 2 |
| 42 | 001693 | SCREW - 8-32 x 1/4, Grounding | 2 |
| 43 | 250051 | BREAKER - Circuit, 10 Amp. 115V. <i>15 AMP 250050</i> | 3 |
| 43 | 252537 | BREAKER - Circuit, 8 Amp. 220/240V. | 2 |
| 43 | 252539 | BREAKER - Circuit, 6 Amp. 230V. | 2 |
| 44 | 014807 | NUT - 1/4-28 | 3 |
| 45 | 111054 | SCREW - 10-32 x 1/2, Switch Box Mounting | 1 |
| 46 | 014808 | NUT- 10-32 | 1 |
| 47 | 017144 | POST - Control Box Mounting | 1 |
| 48 | 016188 | PLATE - Strain Relief, (9810 XCD Only) | 4 |
| 49 | 079616 | TRANSFORMER - T2, 220/240V. - 115V. Work Lamp | 2 |
| 49 | 079615 | TRANSFORMER - T2, 230V. - 115V. Work Lamp | 1 |
| 50 | 001805 | NUT - 6-32 | 4 |
| 51 | 253856 | RELAY - Power, DPST, 24 VAC. 1HP. (New Design) | 1 |
| 54 | 253005 | SWITCH - Toggle DPST. | 1 |
| 55 | 251520 | BUSHING - Nylon, .500 O.D. 220/240V. | 1 |
| 56 | 253839 | PLUGBUTTON - 7/8 Dia. Hole | 1 |

Parts Catalog

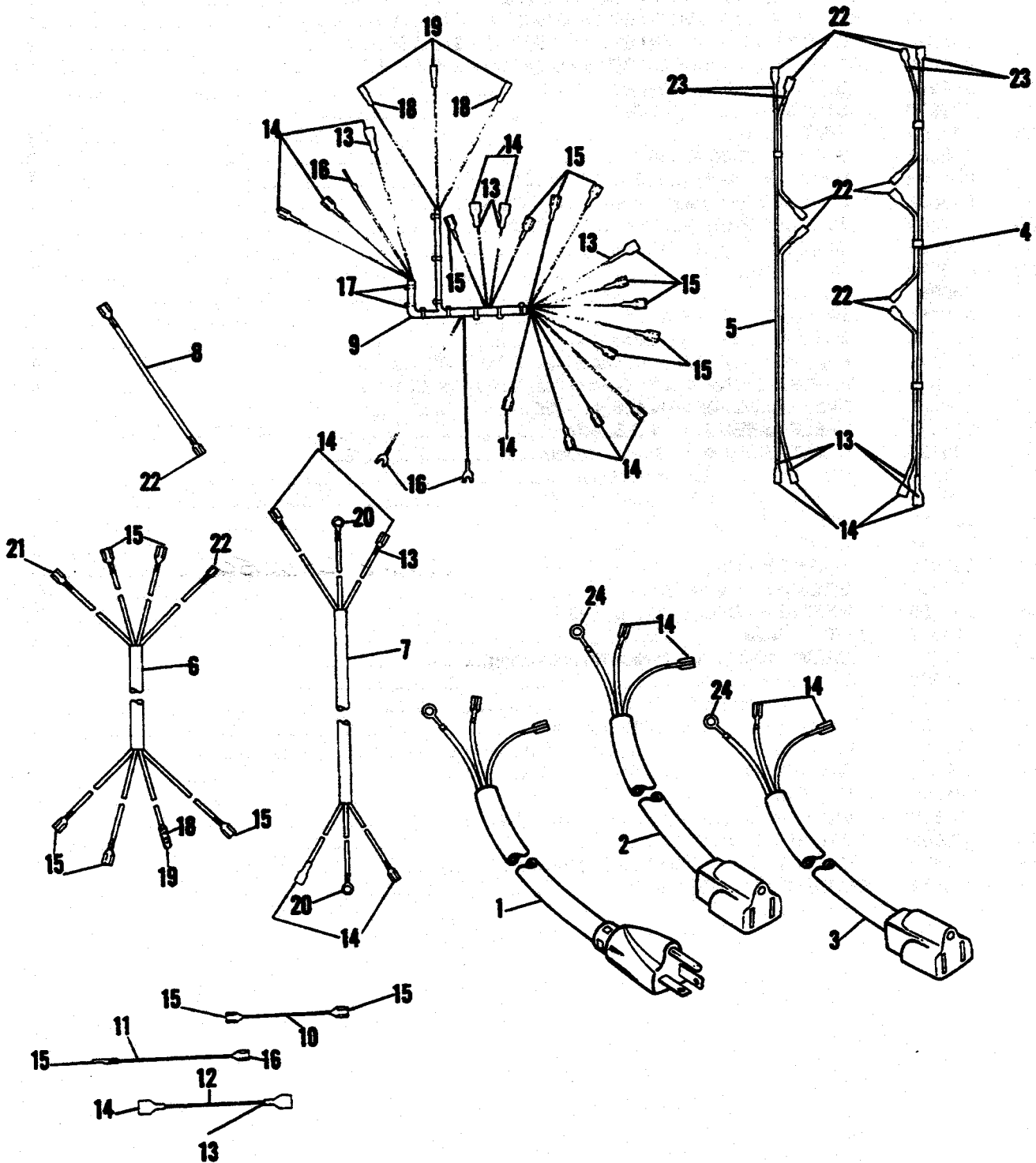


FIGURE 50C
MODEL 9805/9810 Cord and Wire Assemblies

Parts Catalog

| Index No. | Part No. | MODEL 9805/9850 Figure 50C Description | Units Per Assy. |
|-----------|----------|---|-----------------|
| 1 | 196230 | CORD ASSEMBLY - Power 115V. 50/60 HZ. | 1 |
| 1 | 017733 | CORD ASSEMBLY - Power 230V. 60 HZ. | 1 |
| 1 | 017736 | CORD ASSEMBLY- Power 220/240V. 50HZ. | 1 |
| 2 | 196117 | CORD ASSEMBLY - Motor, Drive 115V. | 1 |
| 2 | 196115 | CORD ASSEMBLY - Motor, Drive 220/240V. | 1 |
| 3 | 196121 | CORD ASSEMBLY - Motor, Vacuum 115V. | 1 |
| 3 | 196116 | CORD ASSEMBLY - Motor, Vacuum 220/240V. | 1 |
| 4 | 079099 | CABLE ASSEMBLY - N.O.S. 115/220V. | 1 |
| 4 | 018321 | CABLE ASSEMBLY - N.O.S. 240V (UNITED KINGDOM) | 1 |
| 5 | 079097 | CABLE ASSEMBLY - O.S. | 1 |
| 6 | 079093 | CORD ASSEMBLY - Connector, Drive | 1 |
| 7 | 196118 | CORD ASSEMBLY - Connector, Vacuum | 1 |
| 8 | *** | WIRE ASSEMBLY - Switch Box, 4 1/2" | 1 |
| 9 | 018249 | HARNES ASSEMBLY - Control Box, 115V | 1 |
| 9 | 018318 | HARNES ASSEMBLY - Control Box, 220/240V. 50/60 HZ. | 1 |
| 10 | *** | WIRE ASSEMBLY - Control Box, 3" | 1 |
| 11 | *** | WIRE ASSEMBLY - Control Box, 4" | 1 |
| 12 | *** | WIRE ASSEMBLY - Control Box, 3 1/2" | 3 |
| 13 | 251165 | TUBING - Shrink, 1/4 I.D. x 1" O.A.L. | A/R |
| 14 | 250058 | CONNECTOR - Tab .250, #18-14 Wire | A/R |
| 15 | 250059 | CONNECTOR - Tab .250, #22-18 Wire | A/R |
| 16 | 250097 | CONNECTOR - Tab W/Flag .250, #18-14 Wire | A/R |
| 17 | 250077 | TIE - Cable, 3 7/8 O.A.L. | A/R |
| 18 | 251323 | TUBING - Shrink, 1/8 I.D. x 7/8 O.A.L. | A/R |
| 19 | 250093 | CONNECTOR - Tab .110, #22-18 Wire | A/R |
| 20 | 250079 | CONNECTOR - Ring #10, #22-16 Wire | A/R |
| 21 | 250920 | CONNECTOR - Tab W/Flag .250, #22-18 Wire | A/R |
| 22 | 250062 | CONNECTOR - Tab W/Flag .187, #20-16 Wire | A/R |
| 23 | 250072 | TUBING - Shrink, 3/16 I.D. x 3/4 O.A.L. | A/R |
| 24 | 250612 | CONNECTOR - Ring #8, #18-14 Wire | A/R |

***Not Salable As An Assembly

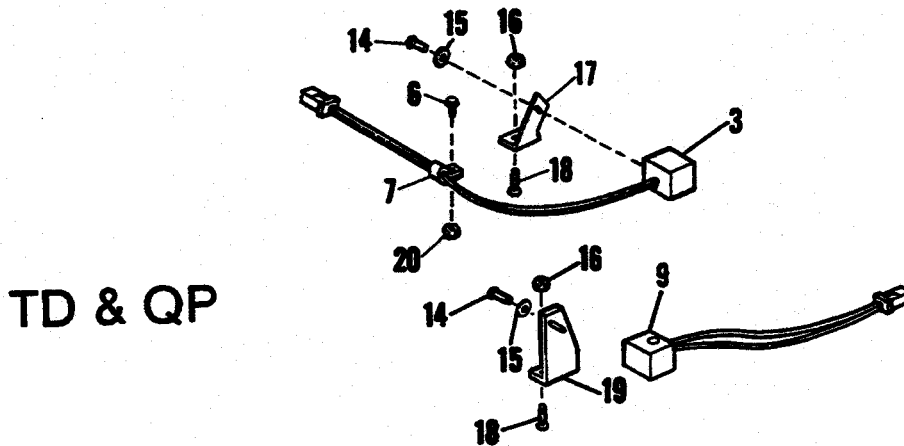
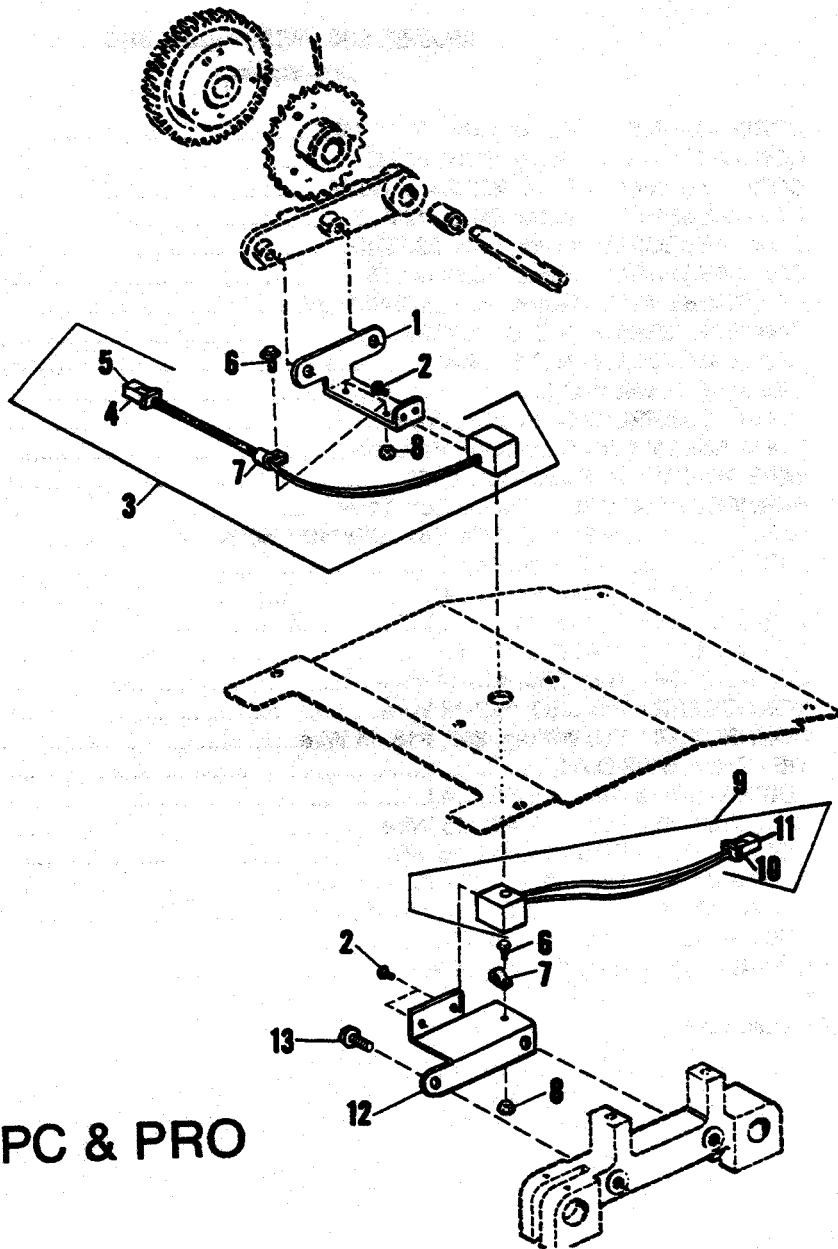


FIGURE 51
MODEL 9815/9850 Jam Detector Assembly

Parts Catalog

| Index No. | Part No. | MODEL 9805/9850 Figure 51 Description | Units Per Assy. |
|-----------|----------|--|--------------------|
| 1 | >016903 | BRACKET - Mounting, Sensor | 1 |
| 2 | 000895 | SCREW - 6-32 x 3/8 | 4 |
| 3 | 011506 | PHOTOTRANSISTOR ASSEMBLY | 1 |
| 4 | 250256 | CONNECTOR HOUSING - Plug | 1 |
| 5 | 250259 | TERMINAL - Socket | 2 |
| 6 | 111034 | SCREW - 8-32 x 3/8 | 4 |
| 7 | 250202 | CLAMP - Cable, 1/8 | 4 |
| 8 | >014811 | NUT - 8-32 | 1 |
| 9 | 011507 | LAMP ASSEMBLY - Infrared | 1 |
| 10 | 250258 | CONNECTOR HOUSING - Socket | 1 |
| 11 | 250257 | TERMINAL - Pin | 2 |
| 12 | >016906 | BRACKET - Mounting, Lamp | 1 |
| 13 | 111071 | SCREW - 1/4-28 x 1/2 | 2 |
| 14 | 014233 | SCREW - 6-32 x 3/8 | 4 |
| 15 | 006801 | WASHER - Flat, .149 I.D. | 4 |
| 16 | 150083 | NUT - 10-32 | 1 |
| 17 | 011517 | BRACKET - Mounting, Sensor 10-32 x 3/8 | 4 |
| 19 | 011518 | BRACKET - Mounting, Lamp | 1 |
| 20 | 150081 | NUT - 8-32 | 4 |

>For Chain Delivery with Aluminum Frames

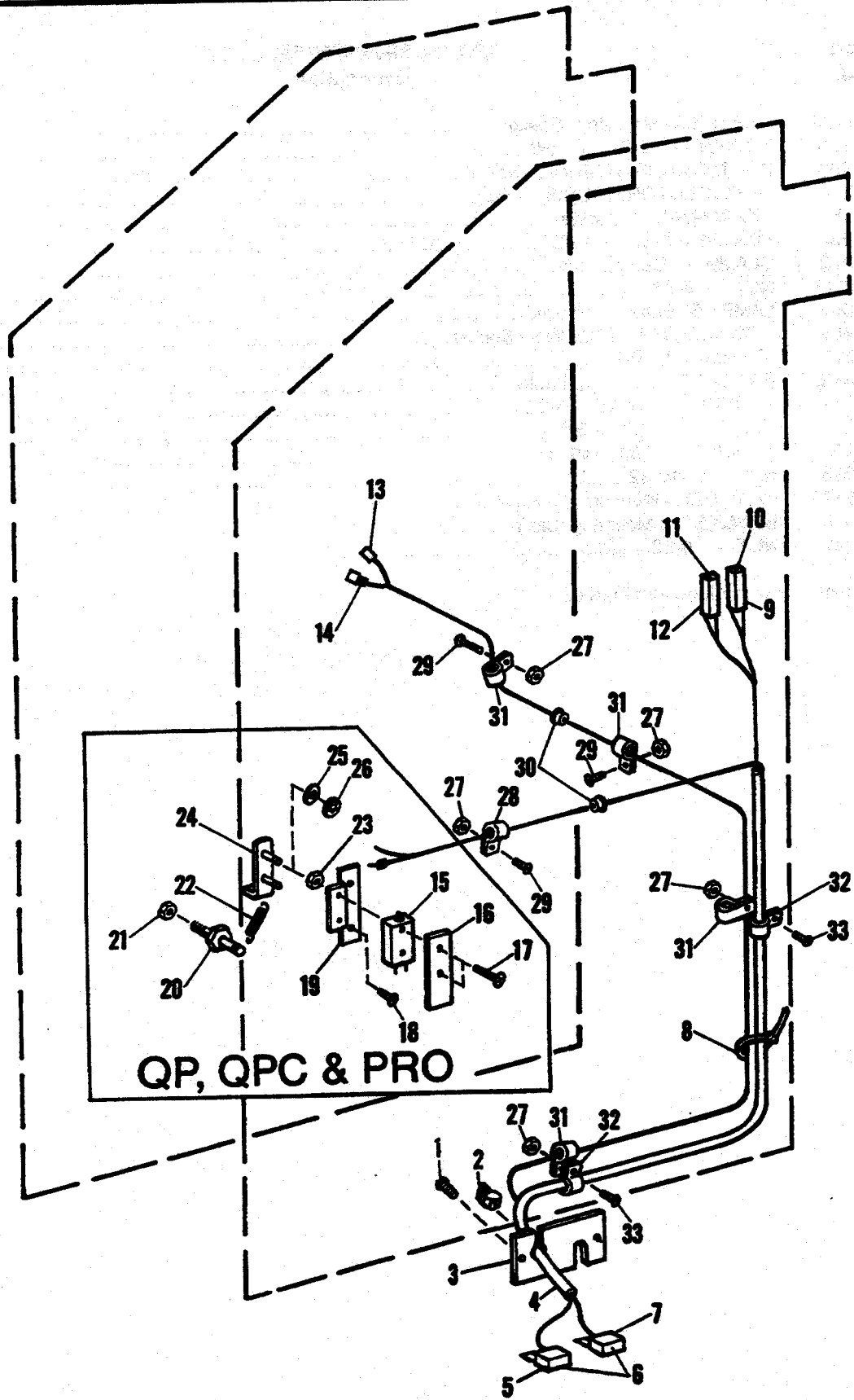


FIGURE 52
MODEL 9815/9850 Harness Assembly - Doubles, Jam and Low Paper

Parts Catalog

| Index No. | Part No. | MODEL 9805/9850 Figure 52 Description | Units Per Assy. |
|-----------|----------|---|-----------------|
| 1 | 111034 | SCREW - 8-32 x 3/8 | 2 |
| 2 | 275005 | STRAIN RELIEF | 1 |
| 3 | 017671 | PLATE - Strain Relief | 1 |
| 4 | 017131 | HARNESS ASSEMBLY - Doubles, jam & Low Paper | 1 |
| 5 | 253034 | HOUSING - Connector (12) | 1 |
| 6 | 252989 | TERMINAL - Female | 8 |
| 7 | 253035 | HOUSING - Connector (18) | 1 |
| 8 | 250077 | TIE - Cable | 43 |
| 9 | 250256 | HOUSING - Pin (2) | 1 |
| 10 | 250257 | TERMINAL - Pin | 2 |
| 11 | 250259 | TERMINAL - Socket | 2 |
| 12 | 250258 | HOUSING - Socket (2) | 1 |
| 13 | 250061 | CONNECTOR | 2 |
| 14 | 251323 | TUBING - Shrinkable | 4 |
| 15 | 250806 | SWITCH - Magnetic, Reed | 1 |
| 16 | 196330 | SHIELD - Terminal | 1 |
| 17 | 110002 | SCREW - 2-56 x 5/16 | 2 |
| 18 | 001552 | SCREW - 8-32 x 3/8 | 2 |
| 19 | 016919 | PLATE - Switch | 1 |
| 19 | 087756 | PLATE - Switch (New Style) | 1 |
| 20 | 072412 | PIN - Spring | 1 |
| 21 | 001812 | NUT - 10-32 | 1 |
| 22 | 064673 | SPRING - Tension, 1/4 O.D. x 1-37/64 O.A.L. | 1 |
| 23 | 100137 | NUT - 2-56 | 2 |
| 24 | 016918 | BRACKET ASSEMBLY | 1 |
| 25 | 006675 | WASHER - Flat, .252 I.D. x .500 O.D. x .021 | 2 |
| 26 | 001060 | RING - Retaining, .208 I.D. | 2 |
| 27 | 014811 | NUT - 8-32 | 9 |
| 28 | 250202 | CLAMP - Cable, 1/8 | 1 |
| 29 | 100134 | SCREW - 8-32 x 1/2 | 5 |
| 30 | 251520 | BUSHING | 3 |
| 31 | 250203 | CLAMP - Cable, 1/4 | 7 |
| 32 | 250273 | CLAMP - Cable, 7/16 | 4 |
| 33 | 001611 | SCREW - 8-32 x 5/8 | 4 |

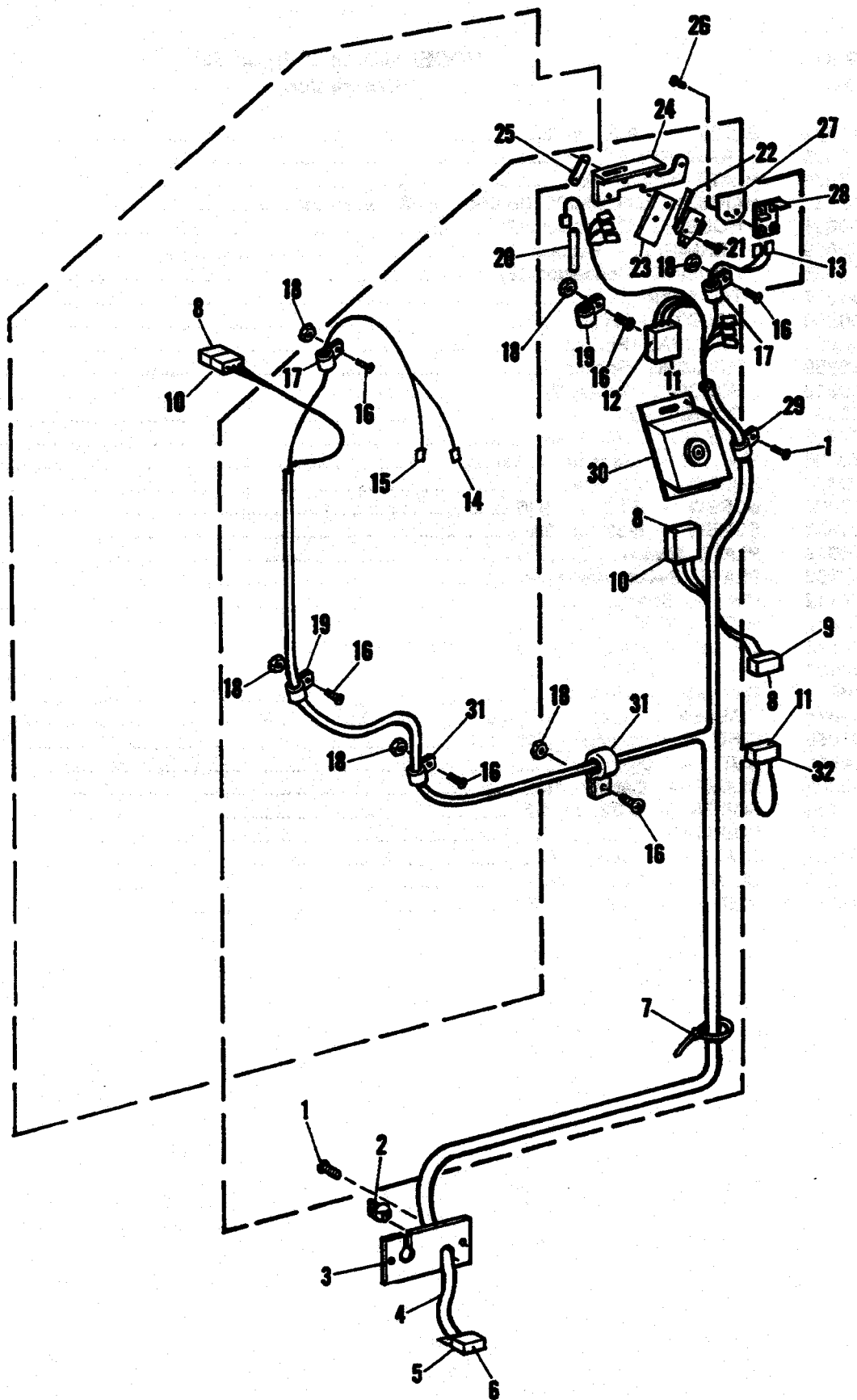


FIGURE 53
MODEL 9815/9850 Harness Assembly - N.O.S.

Parts Catalog

| Index No. | Part No. | MODEL 9805/9850 Figure 53 Description | Units Per Assy. |
|-----------|----------|--|--------------------|
| 1 | 111034 | SCREW - 8-32 x 3/8 | 4 |
| 2 | 250293 | STRAIN RELIEF | 1 |
| 3 | 017700 | PLATE - Strain Relief | 1 |
| 4 | 017839 | HARNESS ASSEMBLY - N.O.S., Optical | 1 |
| 4 | 017490 | HARNESS ASSEMBLY - N.O.S., Hall Effect | 1 |
| 5 | 253029 | HOUSING - Connector (20) | 1 |
| 6 | 252989 | TERMINAL - Female | 18 |
| 7 | 250077 | TIE - Cable | 72 |
| 8 | 252528 | TERMINAL - Socket | 8 |
| 9 | 251647 | HOUSING - Socket (2) | 1 |
| 10 | 253386 | HOUSING - Socket (3) | 1 |
| 11 | 252527 | TERMINAL - Pin | 3 |
| 12 | 252793 | HOUSING - Pin (3) | 1 |
| 13 | 251426 | TERMINAL - Flag, Female | 3 |
| 14 | 250072 | TUBING - Shrinkable | 3 |
| 15 | 250062 | TERMINAL - Female | 10 |
| 16 | 100134 | SCREW - 8-32 x 1/2 | 10 |
| 17 | 250202 | CLAMP - Cable, 1/8 | 5 |
| 18 | 014811 | NUT - 8-32 | 10 |
| 19 | 250205 | CLAMP - Cable, 3/16 | 2 |
| 20 | 251 195 | CONNECTOR - Line | 1 |
| 21 | 111006 | SCREW - 4-40 x 9/16 | 2 |
| 22 | 252439 | SWITCH - Micro | 1 |
| 23 | 006917 | INSULATION - Switch | 1 |
| 24 | 007957 | BRACKET - Switch Mounting | 1 |
| 25 | 190555 | PLATE - Nut | 1 |
| 26 | 101165 | SCREW - 10-16 x 5/8 | 2 |
| 27 | 007932 | SHIELD - Reed Switch | 2 |
| 28 | 076864 | SWITCH ASSEMBLY - Reed | 2 |
| 29 | 250098 | CLAMP - Cable, 3/8 | 2 |
| 30 | 018391 | CLOCK ASSEMBLY - Sync., Mechanism (New Design) | 1 |
| 31 | 250203 | CLAMP - Cable, 1/4 | 3 |
| 32 | 251220 | HOUSING - Pin (2) | 1 |

For 48-dash 9805/50 240V 50Hz. United Kingdom Machines

| | | | | |
|---|--------|--------------------------------|----------------------|---|
| 4 | 010434 | HARNESS ASSEMBLY - N.O.S. | United Kingdom | 1 |
|---|--------|--------------------------------|----------------------|---|

Parts Catalog

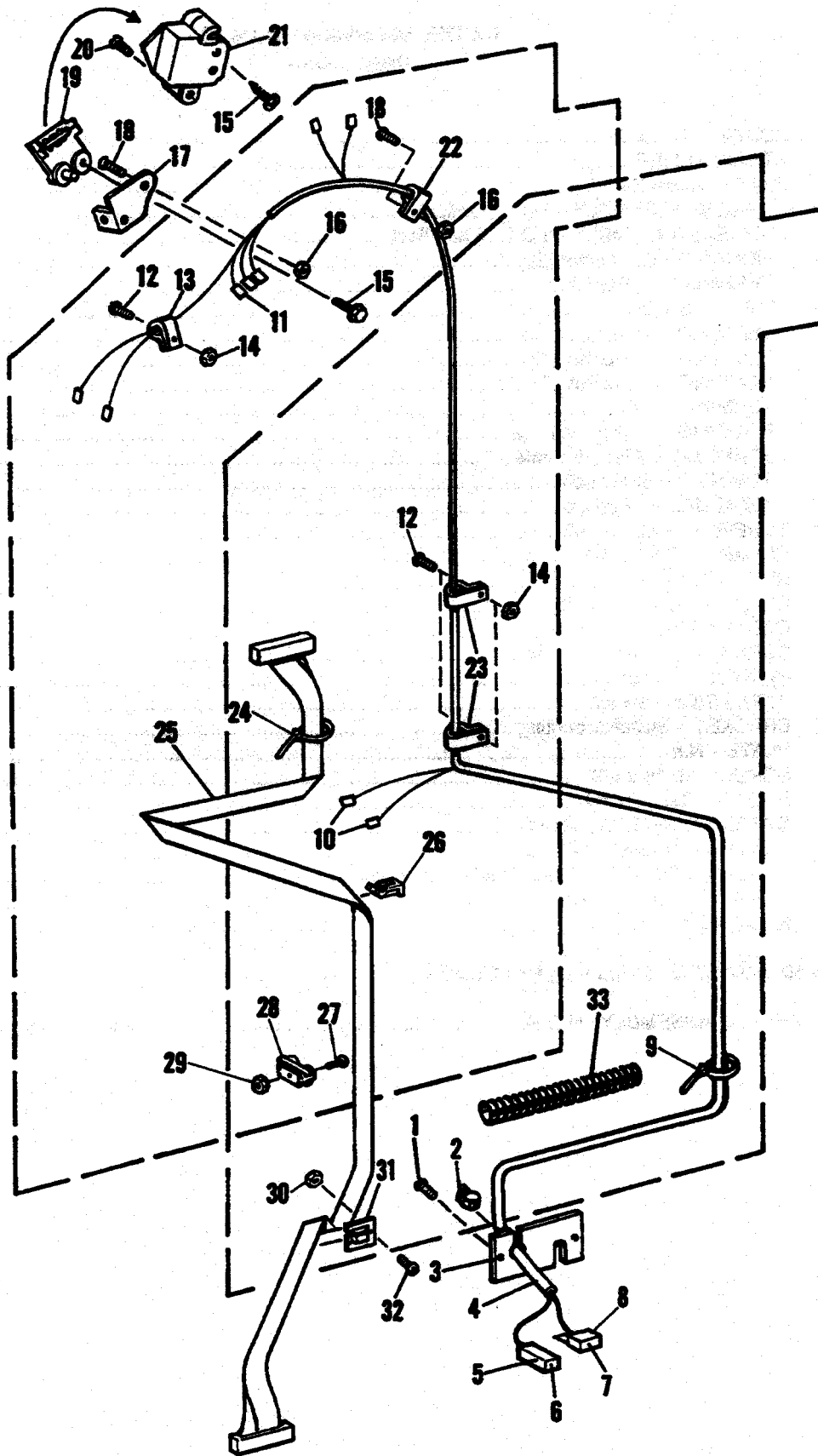


FIGURE 54
MODEL 9815/9850 Harness Assembly - O.S.

Parts Catalog

| Index No. | Part No. | MODEL 9805/9850 Figure 54 Description | Units Per Assy. |
|-----------|----------|---|--------------------|
| 1 | 111034 | SCREW - 8-32 x 3/8 | 2 |
| 2 | 275005 | STRAIN RELIEF | 1 |
| 3 | 017700 | PLATE - Strain Relief | 1 |
| 4 | 017838 | HARNESS ASSEMBLY - O.S., Optical | 1 |
| 4 | 017489 | HARNESS ASSEMBLY - O.S., Hall Effect | 1 |
| 5 | 251508 | HOUSING - Socket (4) | 1 |
| 6 | 251089 | TERMINAL - Socket | 4 |
| 7 | 252989 | TERMINAL - Female | 11 |
| 8 | 252990 | HOUSING - Connector (14) | 1 |
| 9 | 250077 | TIE - Cable | 56 |
| 10 | 250062 | TERMINAL - Female | 8 |
| 11 | 251426 | TERMINAL - Flag, Female | 1 |
| 12 | 100134 | SCREW - 8/32 x 1/2 | 3 |
| 13 | 250202 | CLAMP - Cable, 1/8 | 1 |
| 14 | 014811 | NUT - 8-32 | 3 |
| 15 | 120032 | SCREW - 10-16 x 1/2 | 3 |
| 16 | 014808 | NUT - 10-32 | 3 |
| 17 | 007989 | COVER - Reed Switch | 1 |
| 18 | 001555 | SCREW - 10-32 x 1/2 | 3 |
| 19 | 076864 | SWITCH ASSEMBLY - Reed | 2 |
| 20 | 014203 | SCREW - 10-32 x 5/8 | 20 |
| 21 | 007815 | COVER - Reed Switch | 1 |
| 22 | 200049 | CLAMP - Cable, 1/4 | 1 |
| 23 | 250203 | CLAMP - Cable, 1/4 | 2 |
| 24 | 250493 | TIE - Cable | 1 |
| 25 | 017864 | CABLE ASSEMBLY - Ribbon (Keyboard To Control Box) | 1 |
| 27 | 200347 | SCREW - Flat Head, 6-32 x 3/8 | 4 |
| 9 | 014812 | NUT - 6-32 | 4 |
| 0 | 100716 | NUT - Lock, 6-32 | 1 |

For 48-dash 9805/50 240V 50Hz. United Kingdom Machines

| | | | | |
|---|--------|------------------------------|----------------------|---|
| 4 | 010433 | HARNESS ASSEMBLY - O.S. | United Kingdom | 1 |
|---|--------|------------------------------|----------------------|---|

Parts Catalog

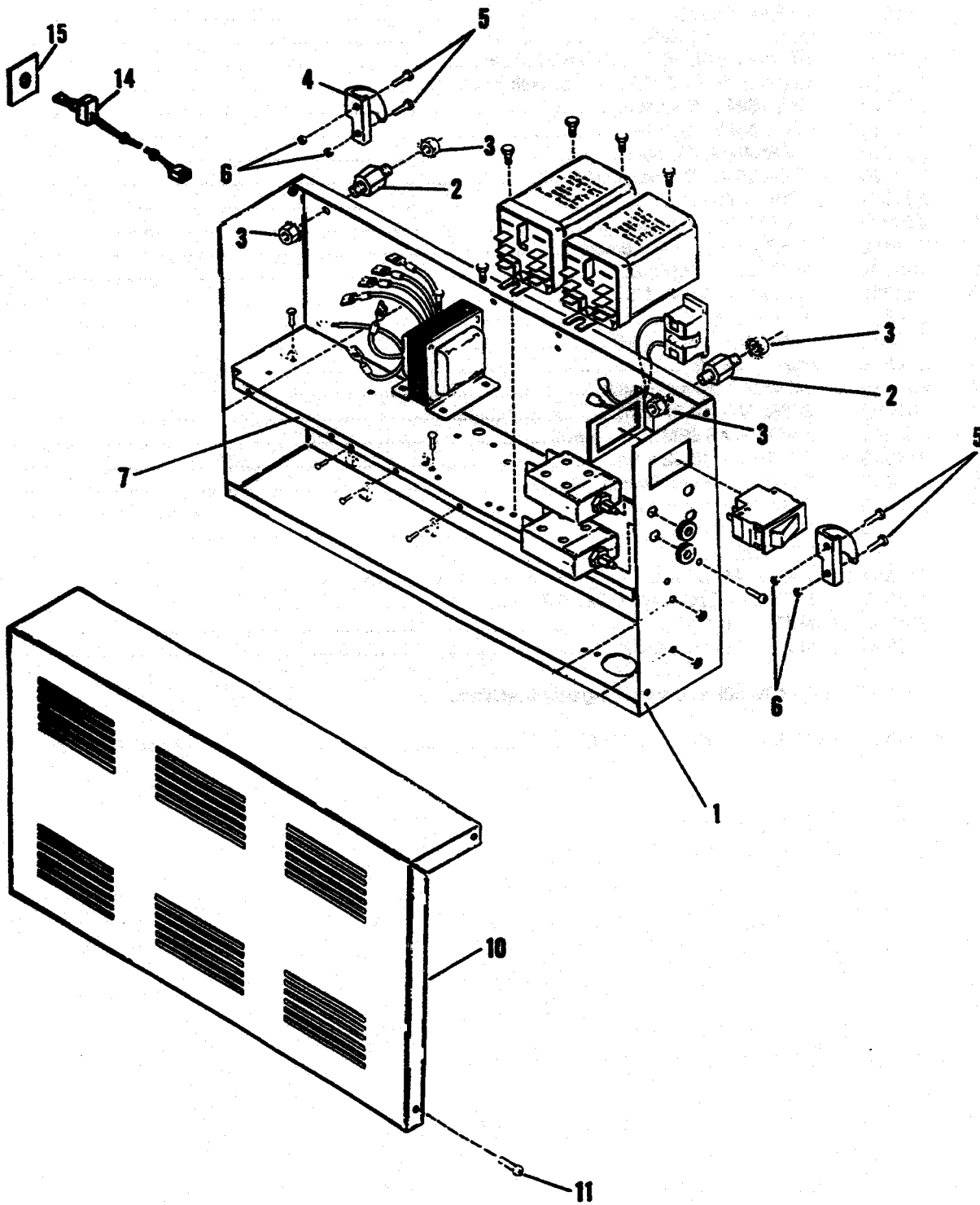


FIGURE 55
MODEL 9815/9850 Control Box - Part I

Parts Catalog

| Index No. | Part No. | MODEL 9805/9850 Figure 55 Description | Units Per Assy. |
|--|----------|---|-----------------|
| | 017109 | CONTROL BOX ASSEMBLY - 115V. 60HZ. (TD and CD) | 1 |
| | 017844 | CONTROL BOX ASSEMBLY - 115V. 60HZ. (QP, QPC and PRO) | 1 |
| | 018538 | CONTROL BOX ASSEMBLY - 9840 B | 1 |
| 1 | 017657 | BOX - Control | 1 |
| 1 | 018532 | BOX - Control - 9840 B | 1 |
| 2 | 017144 | POST | 2 |
| 3 | 014807 | NUT - 1/4-28 | 4 |
| 4 | 017146 | BRACKET - Pivot | 2 |
| 5 | 111071 | SCREW - 1/4-28 x 1/2 | 4 |
| 6 | 014807 | NUT - 1/4-28 | 4 |
| 7 | 017655 | PANEL ASSEMBLY | 1 |
| 10 | 017659 | COVER | 1 |
| 10 | 018533 | COVER - 9840 B | 1 |
| 11 | 101517 | SCREW - 8-32 x 3/8 | 4 |
| 12 | 101398 | SCREW - 6-32 x 1/2 | 2 |
| 13 | 014812 | NUT - 6-32 | 2 |
| 14 | 018523 | SWITCH ASSEMBLY - Jam Detect Bypass (9840 B) | 1 |
| 15 | 018545 | DECAL - ON/OFF - 9840 B | 1 |
| For Other Than 115 V. 60 Hz. or 115 V. 50/60 Hz. Dual Usage | | | |
| | 017108 | CONTROL BOX ASSEMBLY - 100V. 50/60Hz. (TD and CD) | 1 |
| | 017847 | CONTROL BOX ASSEMBLY - 100V. 50/60Hz. (QP, QPC and PRO) | 1 |
| | 017110 | CONTROL BOX ASSEMBLY - 200V. 50/60Hz. (TD and CD) | 1 |
| | 017849 | CONTROL BOX ASSEMBLY - 200V. 50/60Hz. (QP, QPC and PRO) | 1 |
| | 017111 | CONTROL BOX ASSEMBLY - 220V. 50Hz. (TD and CD) | 1 |
| | 017850 | CONTROL BOX ASSEMBLY - 220V. 50Hz. (QP, QPC and PRO) | 1 |
| | 017112 | CONTROL BOX ASSEMBLY - 230V. 60Hz. (TD and CD) | 1 |
| | 017845 | CONTROL BOX ASSEMBLY - 230V. 60Hz. (QP, QPC and PRO) | 1 |
| | 017113 | CONTROL BOX ASSEMBLY - 240V. 50Hz. (TD and CD) | 1 |
| | 007851 | CONTROL BOX ASSEMBLY - 240V. 50Hz. (QP, QPC and PRO) | 1 |

Parts Catalog

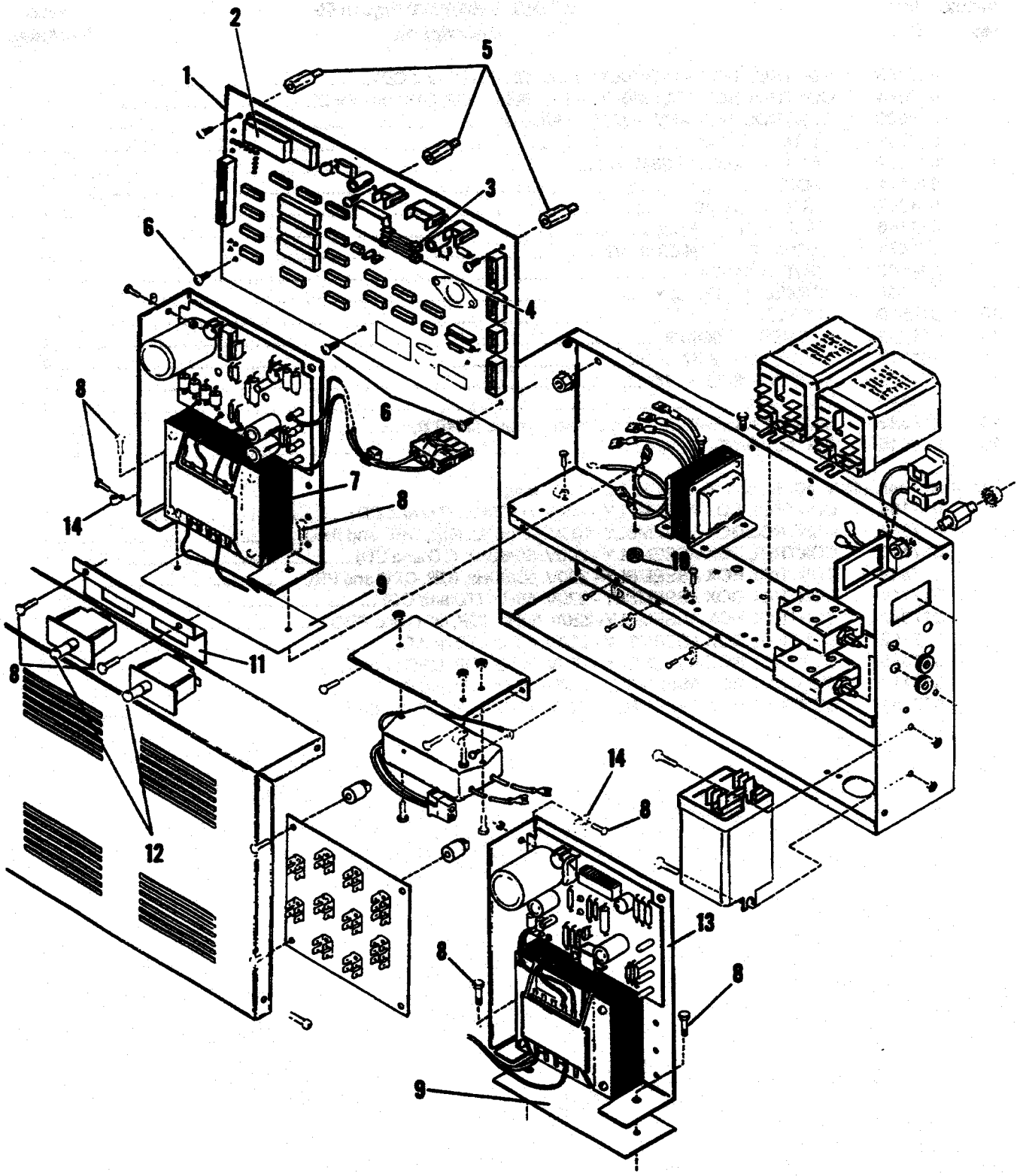


FIGURE 56
MODEL 9815/9850 Control Box - Part II

Parts Catalog

| Index No. | Part No. | MODEL 9805/9850 Figure 56 Description | Units Per Assy. |
|-----------|----------|---|-----------------|
| 1 | 017130 | P.C. BOARD ASSEMBLY - Controller, Optical (TD and CD) | 1 |
| 1 | 018490 | P.C. BOARD ASSEMBLY - Hall Effect (TD and CD) | 1 |
| 1 | 018385 | P.C. BOARD ASSEMBLY - Controller, Optical (QP, QPC and PRO) | 1 |
| 1 | 018491 | P.C. BOARD ASSEMBLY - Hall Effect (QP, QPC and PRO) | 1 |
| 2 | 016309 | INTEGRATED CIRCUIT | 1 |
| 3 | 252781 | FUSE - 1-1/4Amp. 250V | 1 |
| 4 | 250915 | FUSE - 3Amp. 250V | 1 |
| 5 | 196333 | STAND-OFF | 6 |
| 6 | 001548 | SCREW - 6-32 x 3/8 | 6 |
| 7 | 017870 | POWER SUPPLY - 24V. 115V | 1 |
| 8 | 111034 | SCREW - 8-32 x 3/8 | 9 |
| 9 | 017019 | INSULATOR | 2 |
| 10 | 014811 | NUT - 8-32 | 2 |
| 11 | 017032 | BRACKET ASSEMBLY | 1 |
| 12 | 250952 | SWITCH - Bypass, Pump and Drive | 2 |
| 13 | 017866 | POWER SUPPLY - 5V. 115V | 1 |
| 14 | 250505 | CLAMP - Cable | 3 |

For Other Than 115 V. 60 Hz. or 115 V 50/60 Hz. Dual Usage

| | | | |
|----|--------|------------------------------------|---|
| 7 | 017871 | POWER SUPPLY - 24V. 100V. | 1 |
| 7 | 017872 | POWER SUPPLY - 24V. 200/220V. | 1 |
| 7 | 017873 | POWER SUPPLY - 24V. 230/240V. | 1 |
| 13 | 017867 | POWER SUPPLY - 5V. 100V. | 1 |
| 13 | 017869 | POWER SUPPLY - 5V. 200/220V. | 1 |
| 13 | 017868 | POWER SUPPLY - 5V. 230/240V. | 1 |

Parts Catalog

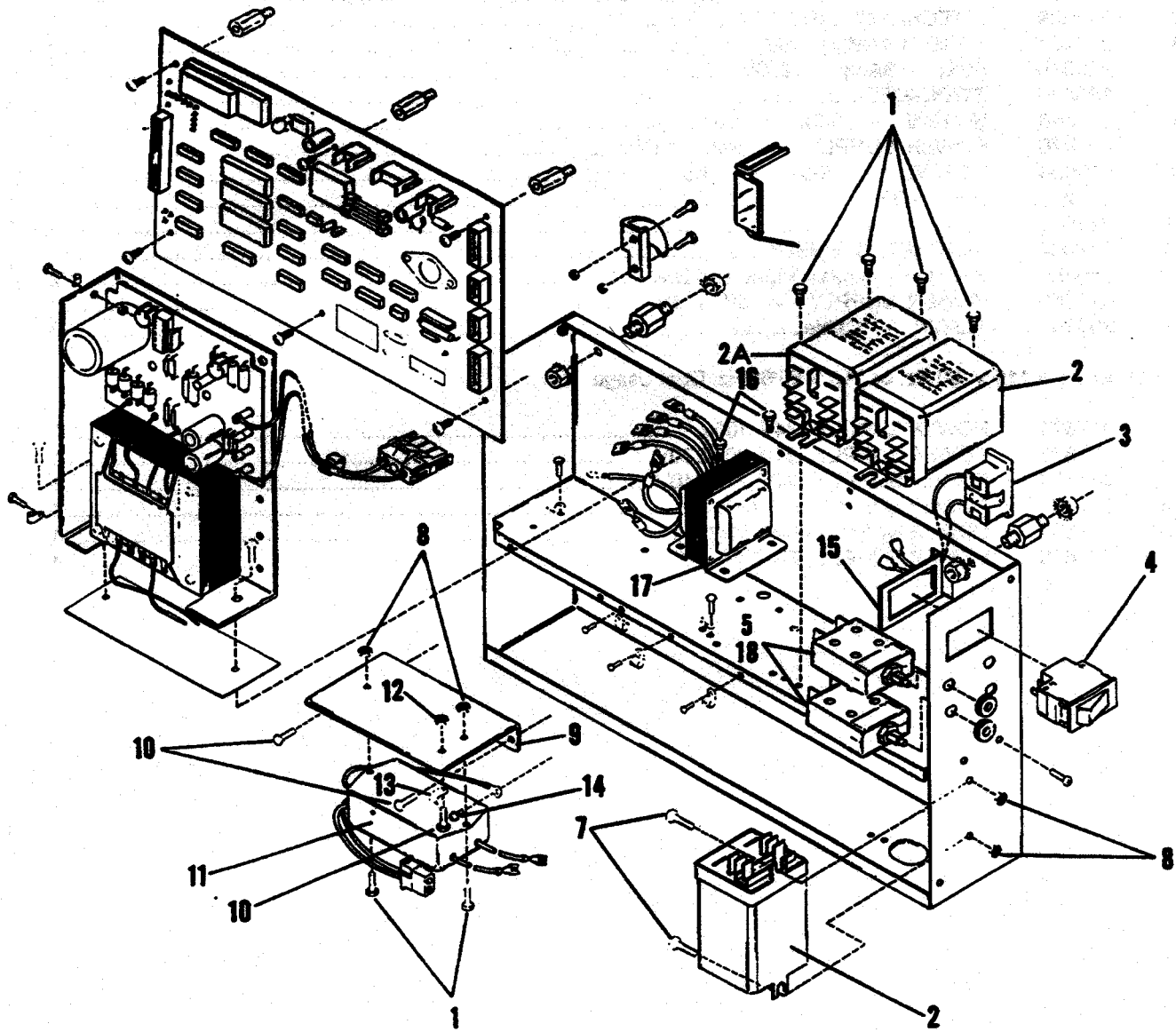


FIGURE 57
MODEL 9815/9850 Control Box - Part III

Parts Catalog

| Index No. | Part No. | MODEL 9805/9850 Figure 57 Description | Units Per Assy. |
|-----------|----------|--|-----------------|
| 1 | 100684 | SCREW - 6-32 x 3/16 | 5 |
| 2 | 253857 | RELAY - 24V.D.C., 20Amp. Drive | 2 |
| 2A | 252829 | RELAY - 24V.D.C., 20Amp. Pump | 1 |
| 3 | 079613 | RECEPTACLE - Work Light | 1 |
| 4 | 252819 | CIRCUIT BREAKER - 1.2Amp. 100/115V. | 1 |
| 5 | 250051 | CIRCUIT BREAKER - 10Amp. | 2 |
| 7 | 101151 | SCREW - 6-32 x 5/16 | 2 |
| 8 | 014812 | NUT - 6-32 | 2 |
| 9 | 017670 | BRACKET - Filter | 1 |
| 10 | 111034 | SCREW - 8-32 x 3/8 | 2 |
| 11 | 017875 | FILTER ASSEMBLY - RFI | 1 |
| 12 | 014811 | NUT - 8-32 | 1 |
| 13 | 250202 | CLAMP - Cable | 1 |
| 14 | 001106 | SCREW - 10-32 x 5/16 | 4 |
| 15 | 017672 | PLATE - Switch | 1 |

For Other Than 115 V. 60 Hz. or 115 V 50/60 Hz. Dual Usage

| | | | |
|----|--------|---|---|
| 4 | 252818 | CIRCUIT BREAKER - .6Amp. 200/220/230/240V. | 1 |
| 5 | 252539 | CIRCUIT BREAKER- 6Amp. 230V. 60HZ. PRO | 2 |
| 5 | 252838 | CIRCUIT BREAKER- 5Amp. 200/220/240V. | 2 |
| 16 | 001693 | SCREW - 8-32 x 7/16 | 4 |
| 17 | 079616 | TRANSFORMER - 100/115V. 230V. - 115V. Work Lamp | 1 |
| 18 | 252537 | CIRCUIT BREAKER - 8Amp. 200/220/240V. | 2 |

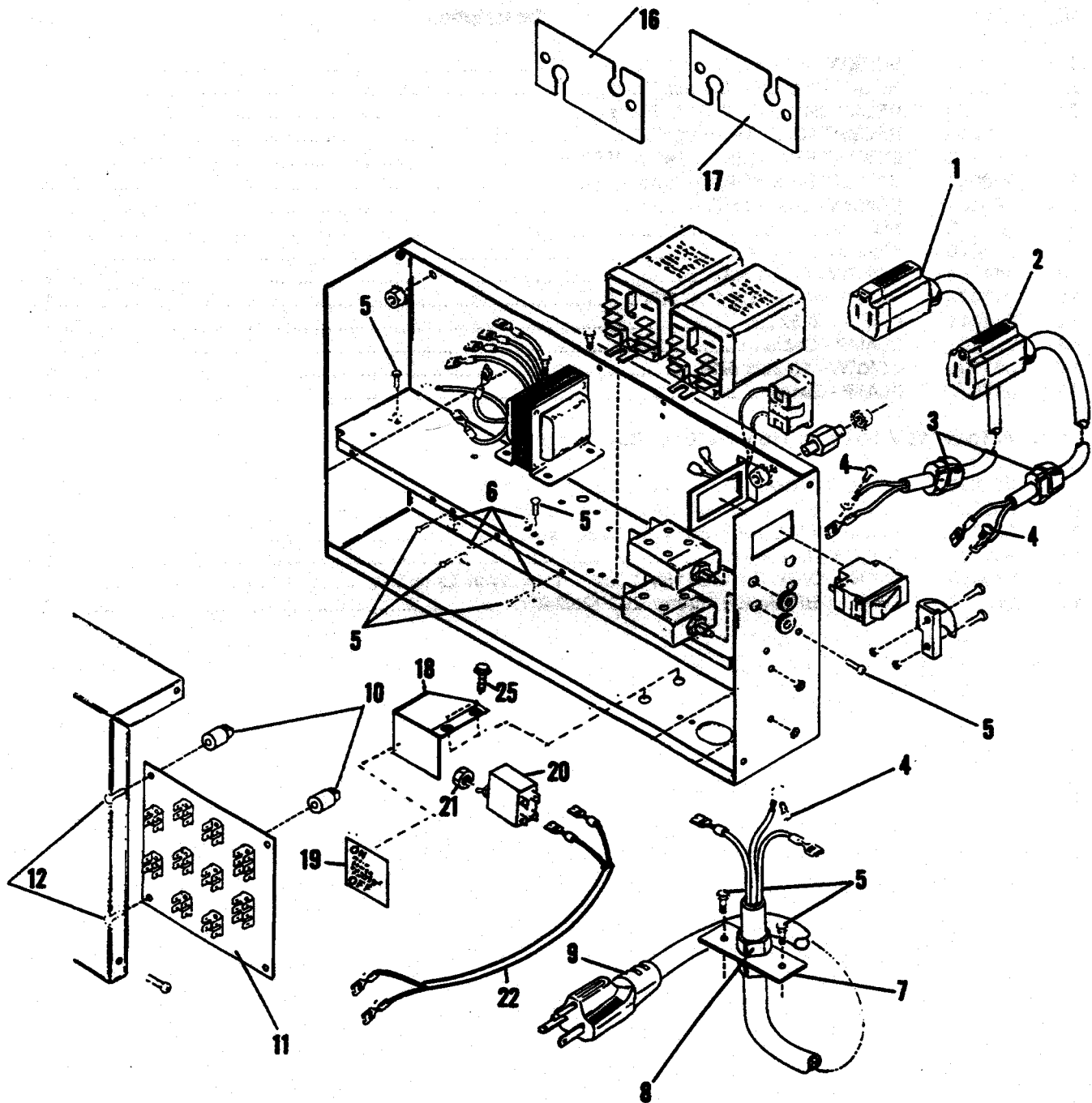


FIGURE 58
MODEL 9815/9850 Control Box - Part IV

Parts Catalog

| Index No. | Part No. | MODEL 9805/9850 Figure 58 Description | Units Per Assy. |
|-----------|----------|---|--------------------|
| 1 | 017999 | CORD - Pump Motor, 100/115V..... | 1 |
| 2 | 017810 | CORD - Drive Motor, 100/115V..... | 1 |
| 3 | 250293 | STRAIN RELIEF..... | 2 |
| 4 | 001106 | SCREW - 10-32 x 5/16..... | 3 |
| 5 | 111034 | SCREW - 8-32 x 3/8..... | 9 |
| 6 | 250205 | CLAMP - Cable..... | 1 |
| 7 | 017660 | PLATE - Support..... | 1 |
| 8 | 059717 | STRAIN RELIEF..... | 1 |
| 9 | 017732 | CORD - Power, 100/115V..... | 1 |
| 10 | 101368 | GROMMET..... | 4 |
| 11 | 017667 | TERMINAL BOARD..... | 1 |
| 12 | 101369 | SCREW - 8-18 x 7/8..... | 4 |
| 13 | 017843 | HARNESS ASSEMBLY - A.C. (Not Illustrated)..... | 1 |
| 13 | 016756 | HARNESS ASSEMBLY - A.C. (Not Illustrated) New Style Relays..... | 1 |
| 14 | 017842 | HARNESS ASSEMBLY - D.C (Not Illustrated)..... | 1 |
| 14 | 016762 | HARNESS ASSEMBLY - D.C. (Not Illustrated) New Style Relays..... | 1 |
| 15 | 016931 | HARNESS ASSEMBLY - Bypass (Not Illustrated)..... | 1 |
| 16 | 017671 | PLATE - Strain Relief, 100/115V..... | 1 |
| 17 | 017700 | PLATE - Strain Relief..... | 1 |
| 18 | 017624 | BRACKET..... | 1 |
| 19 | 017610 | DECAL..... | 1 |
| 20 | 253005 | SWITCH..... | 1 |
| 21 | 100684 | NUT - 8-32..... | 1 |
| 22 | 017675 | HARNESS ASSEMBLY..... | 1 |

For Other Than 115 V. 60 Hz. or 115 V. 50/60 Hz. Dual Usage

| | | | |
|----|--------|--|---|
| 1 | 017997 | CORD - Pump Motor, 200/220/230/240V..... | 1 |
| 2 | 017879 | CORD - Drive Motor, 200/220/230/240V..... | 1 |
| 9 | 017733 | CORD - Power, 200/230V..... | 1 |
| 9 | 017736 | CORD - Power, 220/240V..... | 1 |
| 16 | 017661 | PLATE - Strain Relief, 200/220/230/240V..... | 1 |

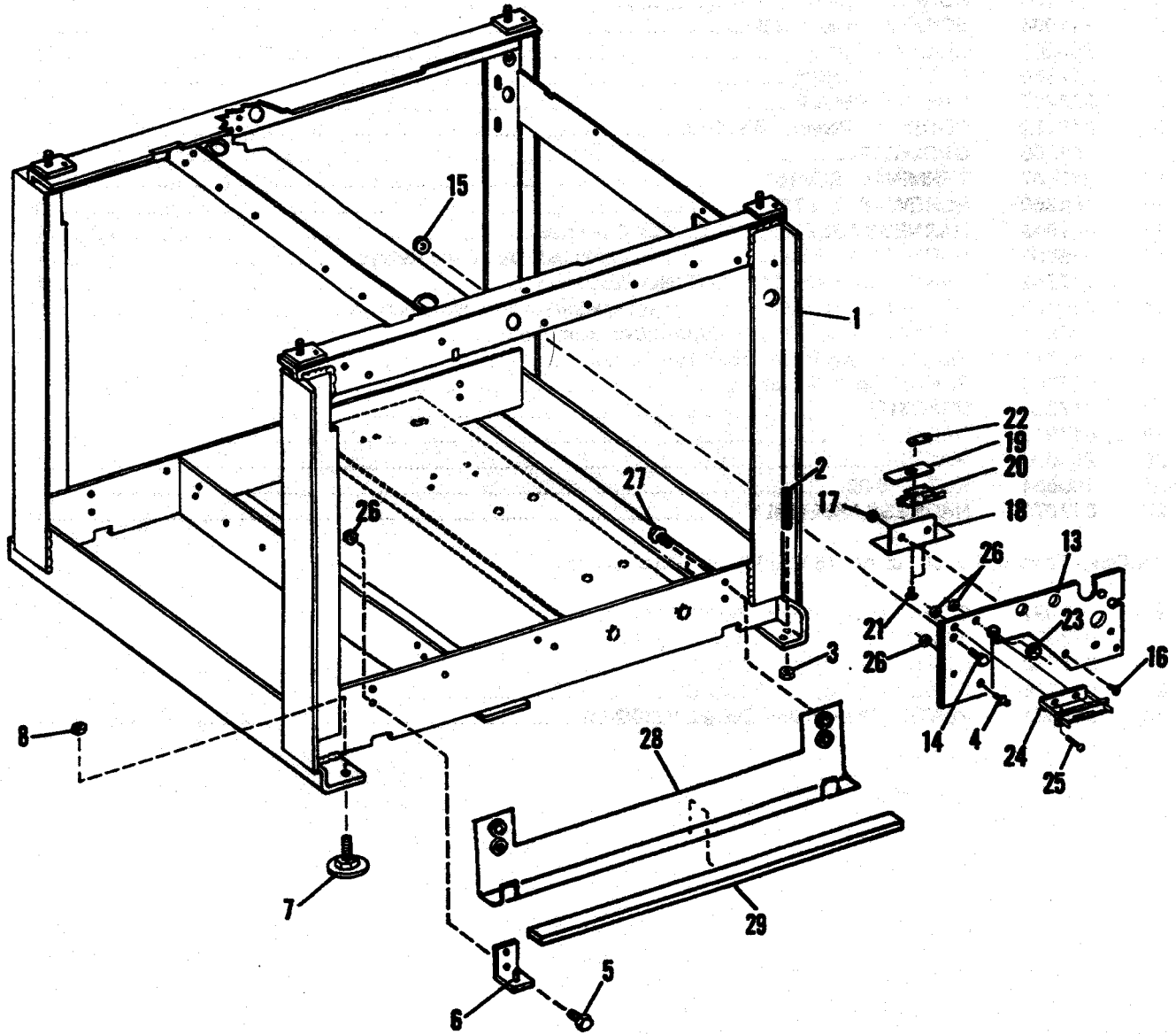


FIGURE 59
MODEL 9815/9850 Base Frames and Hardware

Parts Catalog

| Index No. | Part No. | MODEL 9805/9850 Figure 59 Description | Units Per Assy. |
|-----------|----------|--|-----------------|
| 1 | 017545 | BASE ASSEMBLY..... | 1 |
| 2 | 101913 | SCREW - Set, 1/2-20 x 2.000..... | 2 |
| 3 | 021095 | NUT - 1/2-20..... | 2 |
| 4 | 054402 | STRIKE..... | 2 |
| 5 | 111070 | SCREW - 1/4-28 x 7/16..... | 4 |
| 6 | 017722 | BRACKET - Support Cover..... | 4 |
| 7 | 017542 | GLIDER..... | 3 |
| 8 | 001845 | NUT - 3/8-24..... | 3 |
| 13 | 017147 | PLATE ASSEMBLY - O.S..... | 1 |
| 13 | 017768 | PLATE ASSEMBLY - N.O.S..... | 1 |
| 14 | 111054 | SCREW - 8-32 x 3/8..... | 2 |
| 15 | 014808 | NUT - 10-32..... | 2 |
| 16 | 014187 | SCREW - 4-40 x 5/8..... | 2 |
| 17 | 014811 | NUT - 8-32..... | 2 |
| 18 | 017775 | BRACKET..... | 1 |
| 19 | 195913 | INSULATOR..... | 2 |
| 20 | 017760 | SWITCH - 125V. .1Amp..... | 1 |
| 21 | 100678 | SCREW - 4-40 x 5/8..... | 2 |
| 22 | 190555 | NUT PLATE..... | 1 |
| 23 | 251520 | BUSHING - Nylon..... | 1 |
| 24 | 252841 | CLAMP - Cable..... | 1 |
| 25 | 100347 | SCREW - 6-32 x 3/8..... | 2 |
| 26 | 014812 | NUT - 6-32..... | 2 |
| 27 | 111073 | SCREW - 1/4-28 x 5/8..... | 8 |
| 28 | 400613 | BRACKET ASSEMBLY - Support, Cover..... | 2 |
| 29 | 400641 | GASKET..... | 2 |

Parts Catalog

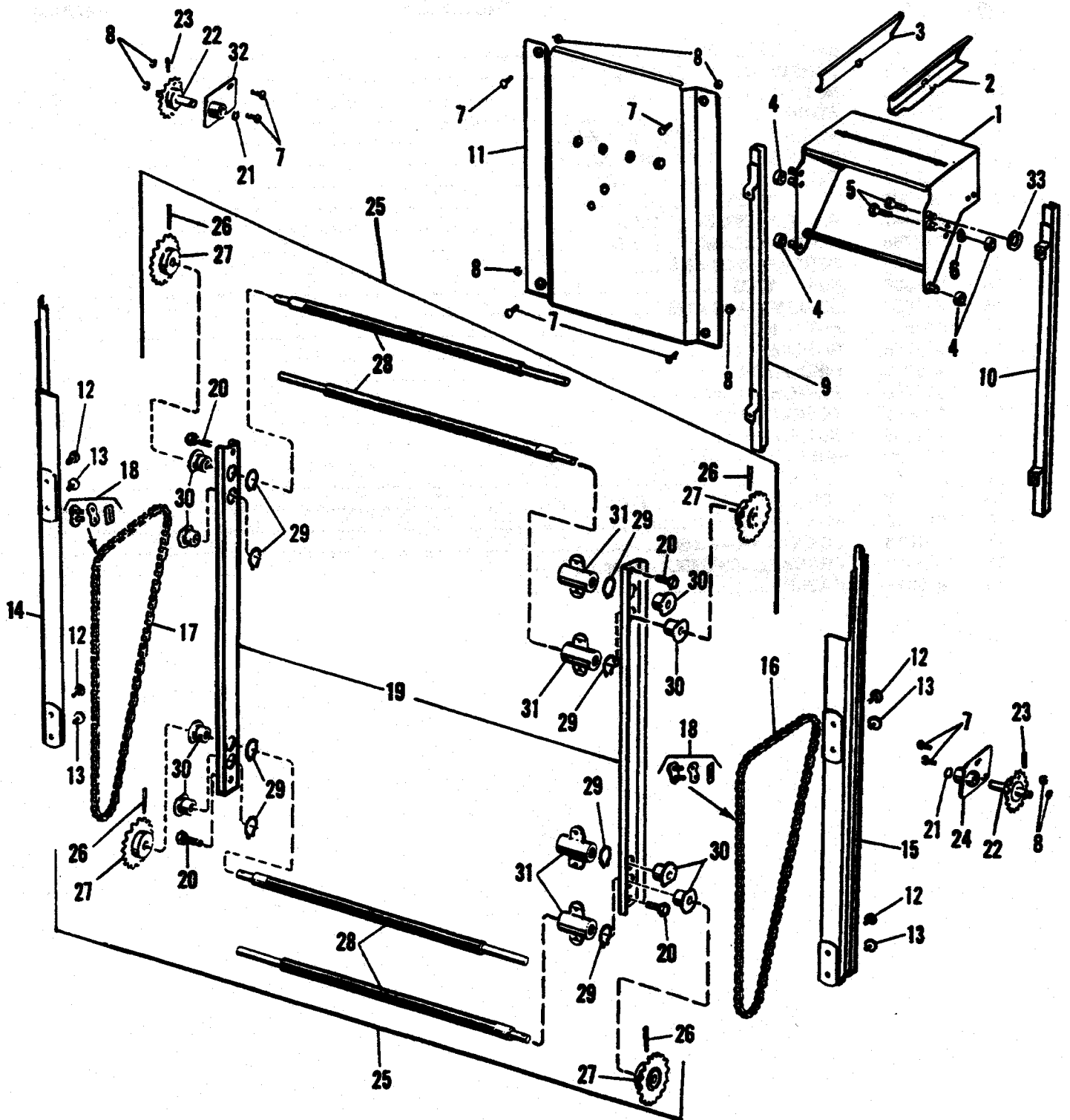


FIGURE 60
MODEL 9815/9850 Feed Table and Feed Adjusting Mechanism

Parts Catalog

| Index No. | Part No. | MODEL 9805/9850 Figure 60 Description | Units Per Assy. |
|-----------|----------|---|-----------------|
| 1 | 017682 | FEED TABLE ASSEMBLY | 1 |
| 1 | 018529 | FEED TABLE ASSEMBLY - 9840 B | 1 |
| 2 | 011431 | SUPPORT GUIDE - O.S. | 1 |
| 2 | 078830 | SUPPORT GUIDE - O.S. - 9840 B | 1 |
| 3 | 011432 | SUPPORT GUIDE - N.O.S. | 1 |
| 3 | 078831 | SUPPORT GUIDE- N.O.S. - 9840 B | 1 |
| 4 | 072029 | TRUCK - Feed Table | 4 |
| 5 | 001690 | SCREW - 10-32 x 5/16 | 2 |
| 6 | 073473 | BRACKET - Trip | 1 |
| 7 | 111073 | SCREW - 1/4-28 x 5/8 | 12 |
| 8 | 150085 | NUT - 1/4-28 | 12 |
| 9 | 011052 | CHANNEL ASSEMBLY - N.O.S. | 1 |
| 10 | 011051 | CHANNEL ASSEMBLY - O.S. | 1 |
| 11 | 017167 | PANEL- Cover, (M9815/M9850) (Old Design) | 1 |
| 11 | 008109 | PANEL- Cover (M9805/M9810) (Old Design) | 1 |
| 11 | 010081 | PANEL - Cover & Motor Mount (New Design) | 1 |
| 12 | 016327 | SCREW - Shoulder, 10-32 | 4 |
| 13 | 016060 | SCREW - 10-32 x 3/8 | 4 |
| 14 | 087266 | GUIDE ASSEMBLY - N.O.S. (with Micro Lateral) | 1 |
| 14 | 072070 | GUIDE ASSEMBLY - N.O.S. (without Micro Lateral) | 1 |
| 15 | 072069 | GUIDE ASSEMBLY - O.S. | 1 |
| 16 | 072024 | CHAIN - Table Adjusting, O.S. | 1 |
| 17 | 072037 | CHAIN - Table Adjusting, N.O.S. | 1 |
| 18 | 071576 | LINK - Master | 1 |
| 19 | 072063 | BRACKET- Guide Screw Bearing | 2 |
| 20 | 111089 | SCREW - 5/16-24 x 5/8 | 4 |
| 21 | 001048 | RING - Retaining, .463 I.D. | 2 |
| 22 | 013947 | SPROCKET ASSEMBLY - Table Adjusting | 2 |
| 23 | 001980 | PIN - Roll, .135 O.D. x .640 O.A.L. | 2 |
| 24 | 011077 | BRACKET ASSEMBLY - N.O.S. | 1 |
| 25 | 007533 | SCREW ASSEMBLY - Feed Table Guide | 4 |
| 26 | 000024 | PIN - Taper, .176 O.D. x 1.141 O.A.L. | 4 |
| 27 | *072044 | SPROCKET - 15 Tooth | 4 |
| 28 | *007534 | SCREW | 4 |
| 29 | 100119 | RING - Retaining, .815 I.D. | 8 |
| 30 | 072064 | BEARING - Guide Screw | 4 |
| 31 | 084473 | BEARING - Guide Screw | 4 |
| 32 | 011076 | BRACKET ASSEMBLY - O.S. | 1 |
| 33 | 001095 | RING - Retaining, .245 I.D. | 2 |

*Not Procurable Separately

Supply Items

- 9122 - 11"x17" Paper Support Boards, 12 per carton
- 9123 - 8-1/2"x11", 14" Paper Support Boards 12 per carton

Parts Catalog

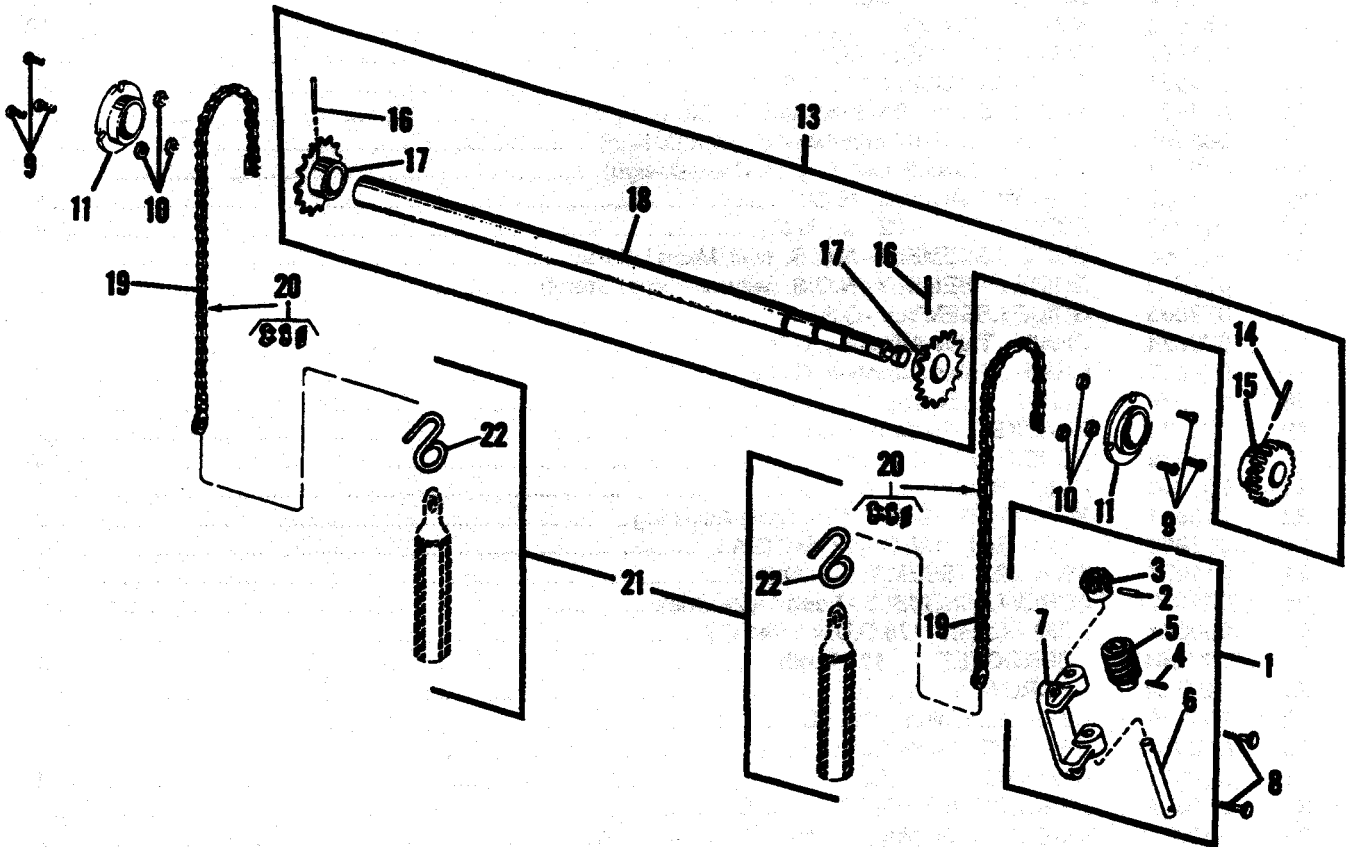


FIGURE 61
MODEL 9815/9850 Table Raising Mechanism

Parts Catalog

| Index No. | Part No. | MODEL 9805/9850 Figure 61 Description | Units Per Assy. |
|-----------|----------|---|-----------------|
| 1 | 080334 | MITER AND WORM GEAR ASSEMBLY | 1 |
| 2 | 100966 | PIN - Spiral, .182 O.D. x .822 O.A.L. | 1 |
| 3 | *081607 | GEAR | 1 |
| 4 | 001920 | PIN - Taper, .149 O.D. x .786 O.A.L. | 1 |
| 5 | *072636 | GEAR - Worm | 1 |
| 6 | *072574 | SHAFT | 1 |
| 7 | 080337 | BRACKET - Miter and Worm | 1 |
| 8 | 072575 | SCREW - 1/4-28 | 2 |
| 9 | 001555 | SCREW - 10-32 x 1/2 | 6 |
| 10 | 024248 | NUT - 10-32 | 6 |
| 11 | 072599 | BEARING ASSEMBLY | 2 |
| 13 | 017151 | SHAFT ASSEMBLY - Table Raising | 1 |
| 14 | 149385 | PIN - Spiral, .152 O.D. x 1.250 O.A.L. | 1 |
| 15 | *080336 | GEAR | 1 |
| 16 | 001936 | PIN - Taper, 1.250 O.A.L. | 2 |
| 17 | *072041 | SPROCKET | 2 |
| 18 | *017150 | SHAFT | 1 |
| 19 | 072035 | CHAIN ASSEMBLY - Table Raising | 2 |
| 20 | 071576 | LINK - Master | 1 |
| 21 | 072077 | WEIGHT ASSEMBLY | 2 |
| 22 | 194835 | HOOK | 1 |

*Not Procurable Separately

Parts Catalog

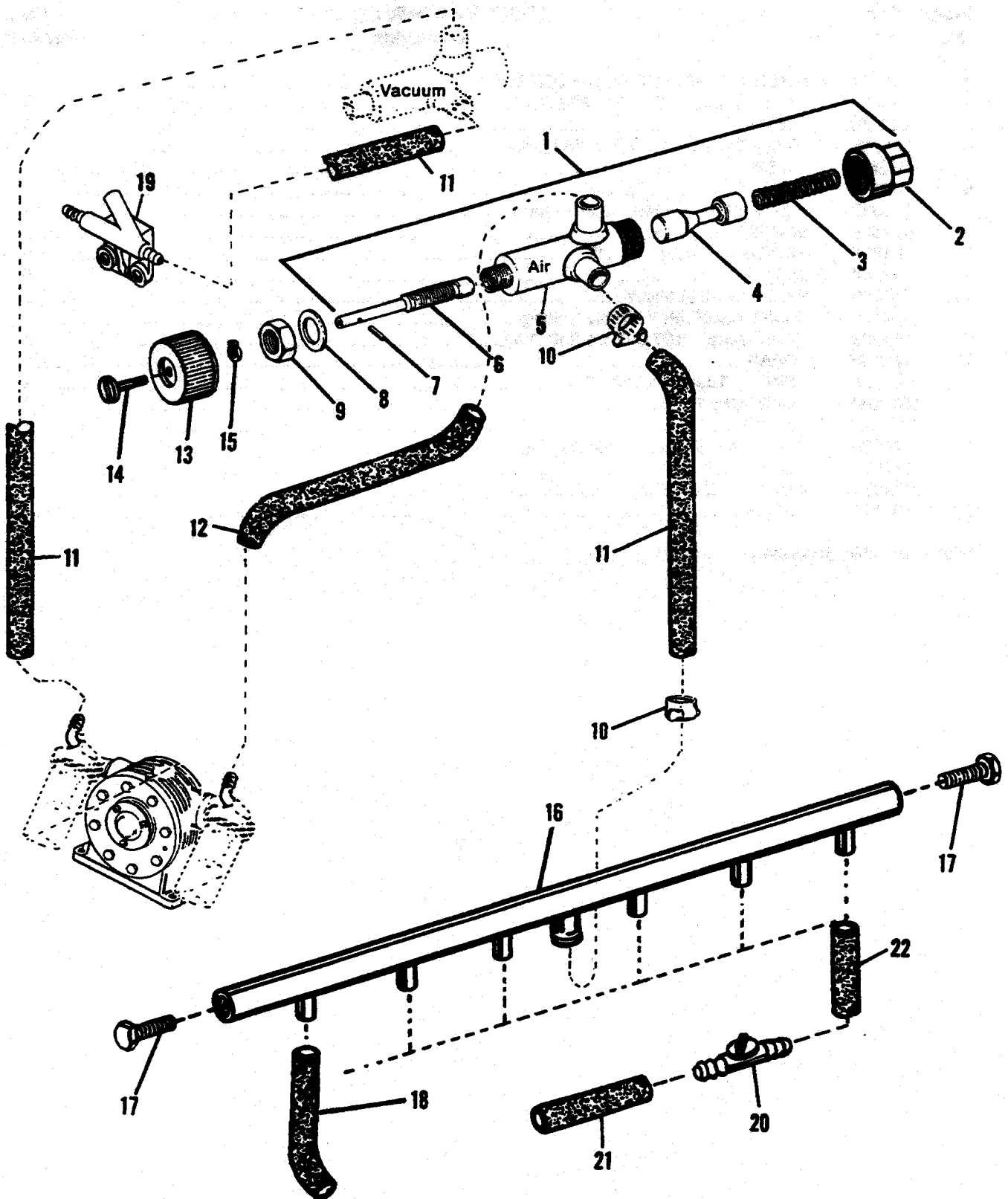


FIGURE 62
MODEL 9815/9850 Air and Vacuum Valve Assembly

Parts Catalog

| Index No. | Part No. | MODEL 9805/9850 Figure 62 Description | Units Per Assy. |
|-----------|----------|--|-----------------|
| 1 | 016897 | AIR AND VACUUM VALVE ASSEMBLY | 2 |
| 2 | 013010 | PLUG - Air and Vacuum | 1 |
| 3 | 080481 | SPRING - Compression, .400 O.D. x 2.437 O.A.L. | 1 |
| 4 | 013007 | VALVE SPOOL - Valve Body | 1 |
| 5 | 013434 | VALVE BODY - Air and Vacuum | 1 |
| 6 | 016898 | SHAFT - Air and Vacuum | 1 |
| 7 | 001990 | PIN - Roll, .131 O.D. x .485 O.A.L. | 1 |
| 8 | 021911 | WASHER - .578 I.D. x .875 O.D. | 2 |
| 9 | 191473 | NUT - Nylon | 2 |
| 10 | 072741 | CLAMP - Hose | 6 |
| 11 | 072257 | HOSE - 18.000 O.A.L. | 3 |
| 12 | 072256 | HOSE - 35.000 O.A.L. | 3 |
| 13 | 017735 | KNOB - Air and Vacuum | 2 |
| 14 | 196246 | SCREW - Dowel, 1/4-28 | 2 |
| 15 | 039642 | RING - Vinyl, .135 I.D. | 1 |
| 16 | 007672 | HEADER ASSEMBLY | 1 |
| 17 | 111073 | SCREW - 1/4-28 x 5/8 | 2 |
| 18 | 195197 | TUBING - 5/16 I.D. x .469 O.D. x 6-3/8 O.A.L. | 6 |
| 19 | 076142 | VALVE - Vacuum | 1 |
| 20 | 196612 | VALVE - Shut Off | 2 |
| 21 | 196610 | TUBING - 5/16 I.D. X .469 O.D. X 1-13/16 O.A.L. | 2 |
| 22 | 196611 | TUBING - 5/16 I.D. X .469 O.D. X 2-3/4 O.A.L. | 2 |

Parts Catalog

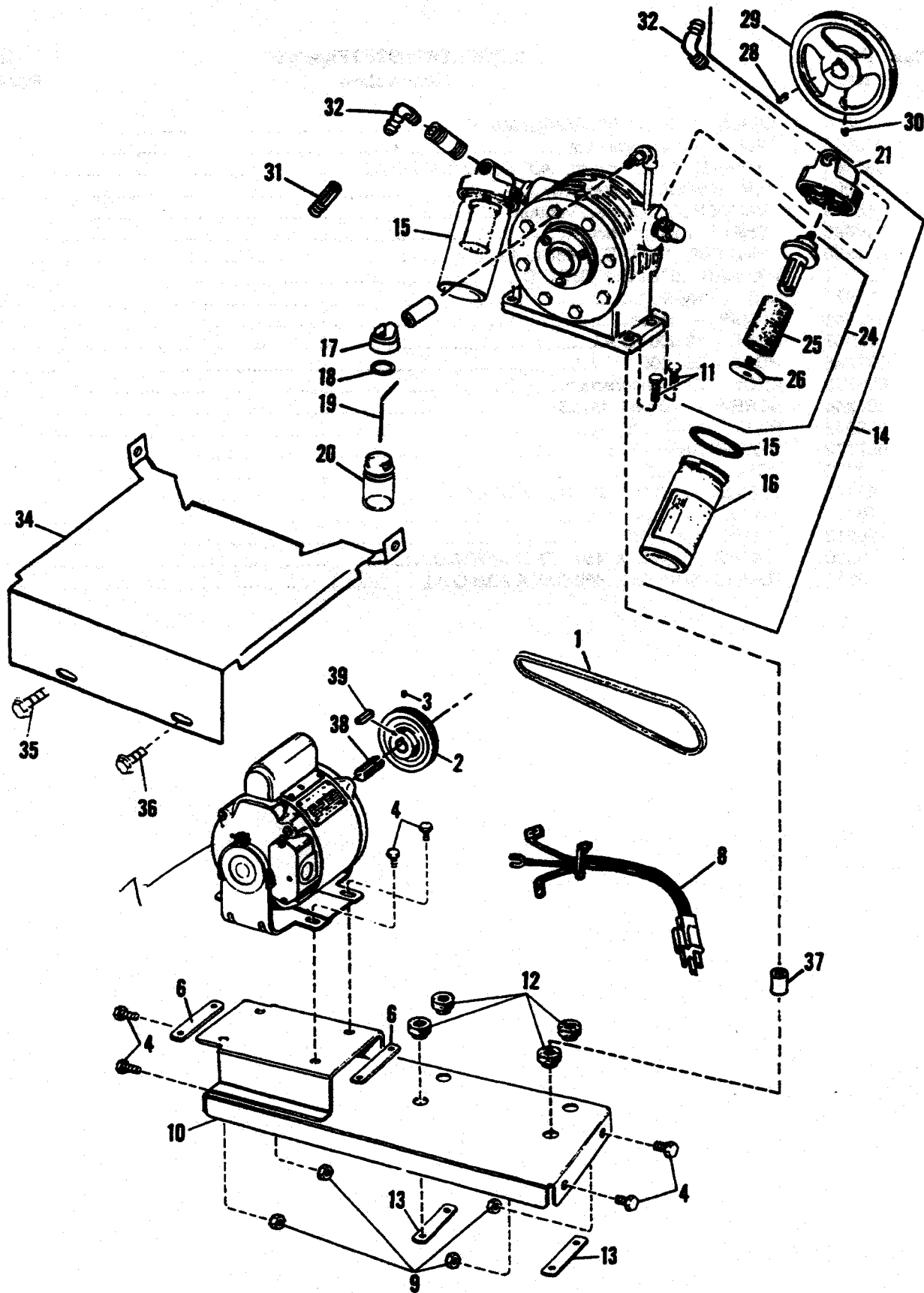


FIGURE 63
MODEL 9815/9850 Compressor Assembly

Parts Catalog

| Index No. | Part No. | MODEL 9805/9850 Figure 63 Description | Units Per Assy. |
|-----------|-------------------|--|-----------------|
| 1 | 054388 | BELT - Compressor, (3L330) 33" (Old Design) | 1 |
| 1 | 054479 | BELT - Compressor, (3L340) 34" | 1 |
| 2 | 072820 | PULLEY ASSEMBLY - 3 1/2" O.D. (Old Design) | 1 |
| 2 | 018571 | PULLEY ASSEMBLY - 4" O.D. | 1 |
| 3 | 001523 | SCREW - Set Cup Point, 5/16-18 x 3/8 (W/Key) | 1 |
| 4 | 014183 | BOLT - Motor Mounting, 5/16-18 x 5/8 | 8 |
| 5 | 014784 | WASHER - .328 I.D. | 4 |
| 6 | 073679 | NUT PLATE | 2 |
| 6 | 016882 | NUT PLATE (New Style) | 2 |
| 7 | 017859 | MOTOR ASSEMBLY - Pump, 100/115V. 50/60HZ. <i>USE 025353 1/2 H.P.</i> | 1 |
| 8 | 017998 | CORD - Motor, 115V. | 1 |
| 9 | 150085 | NUT - 1/4-28 | 4 |
| 10 | 008029 | BASE - Pump | 1 |
| 11 | 014121 | BOLT - 3/8-24 x 1-1/2 | 4 |
| 12 | 072840 | GROMMET | 4 |
| 13 | 072838 | NUT PLATE | 2 |
| 14 | 072821 | COMPRESSOR ASSEMBLY <i>402301 OILLESS</i> | 1 |
| 15 | 072261 | GASKET | 2 |
| 16 | 072852 | BOTTLE | 2 |
| 17 | 072262 | COVER | 1 |
| 18 | 072260 | GASKET | 1 |
| 19 | 072264 | WICK | 1 |
| 20 | 072854 | BOTTLE | 1 |
| 21 | 072161 | COVER | 1 |
| 22 | 072919 | VANE - (Not Illustrated) | 4 |
| 23 | 072920 | SHIM - (Not Illustrated) | 1 |
| 24 | 072265 | FILTER ASSEMBLY | 2 |
| 25 | 072855 | FILTER | 2 |
| 26 | 016569 | CAP - Plastic | 1 |
| 28 | 190398 | KEY | 1 |
| 29 | 072822 | PULLEY - Pump | 1 |
| 30 | 001523 | SCREW - Set, 5/16-18 x 3/8 | 1 |
| 31 | 073417 | ADAPTER - Tube | 2 |
| 32 | 072826 | ELBOW 90° | 2 |
| 34 | 025431 | COVER - Shield | 1 |
| 35 | 111073 | SCREW - 1/4-28 x 5/8 | 1 |
| 36 | 111069 | SCREW - 1/4-28 x 3/8 | 1 |
| 37 | 193810 | SLEEVE - Grommet | 4 |
| 38 | 073661 | SLEEVE | 1 |
| 39 | 196827 | KEY | 1 |

For Other Than 115 V. 60 Hz. or 115 V 50/60 Hz. Dual Usage

| | | | |
|---|--------|---|---|
| 1 | 195177 | BELT - Compressor, (3L350) 35" 50HZ | 1 |
| 2 | 195149 | PULLEY ASSEMBLY - 4-1/2" O.D. 50HZ | 1 |
| 7 | 017859 | MOTOR ASSEMBLY - Pump, 200/230V. 50/60Hz. | 1 |
| 7 | 075910 | MOTOR ASSEMBLY - Pump, 240V. 50Hz. | 1 |
| 8 | 017823 | CORD - Motor | 1 |

Parts Catalog

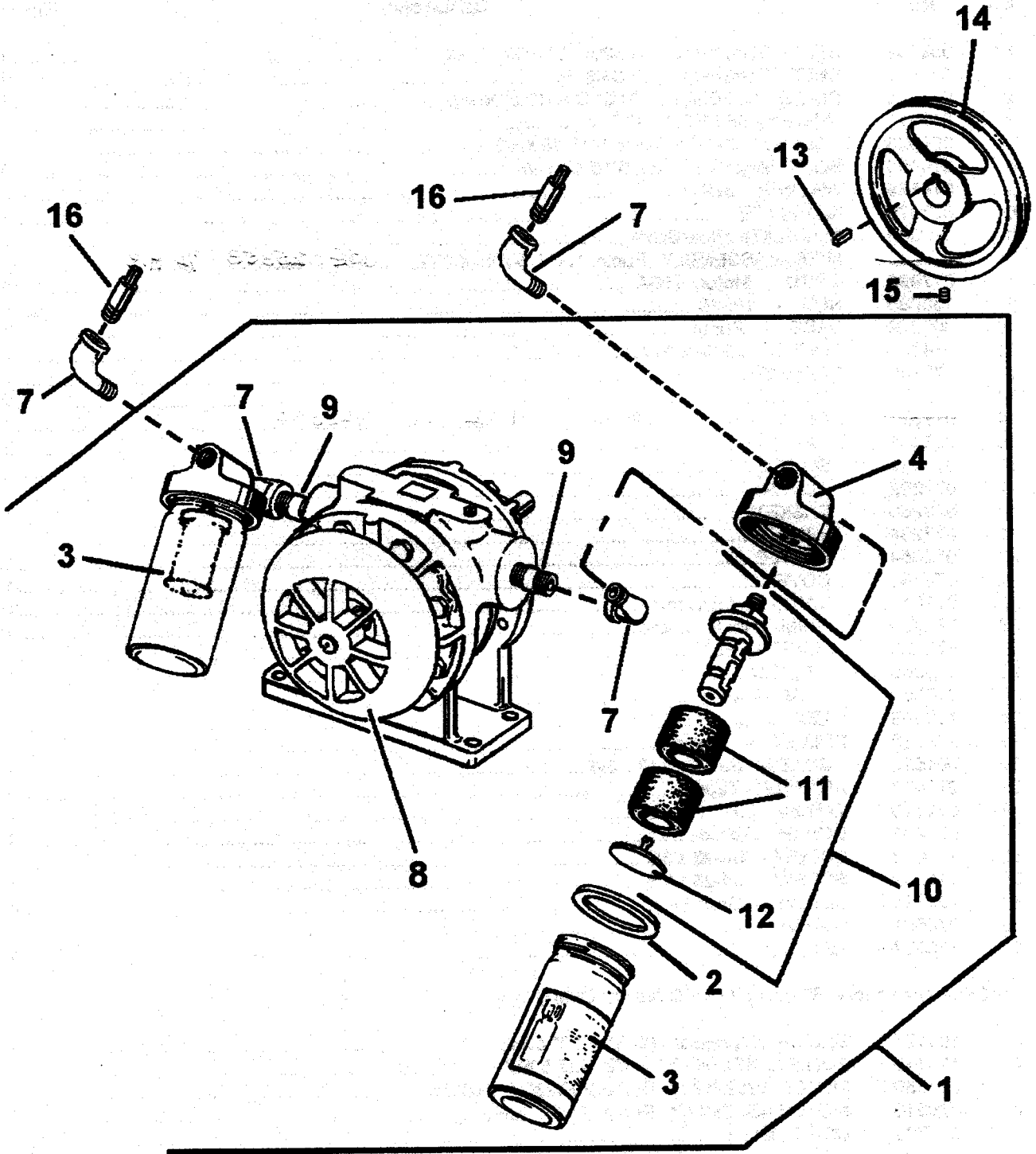


FIGURE 63A
MODEL 9815/9850 Oil-Less Pump

Parts Catalog

| Index No. | Part No. | MODEL 9805/9850 Figure 63A Description | Units Per Assy. |
|-----------|----------|---|-----------------|
| 1 | 402301 | OIL-LESS PUMP ASSEMBLY (New Design) | 1 |
| 2 | 072261 | GASKET | 2 |
| 3 | 072852 | BOTTLE | 2 |
| 4 | 072161 | COVER | 1 |
| - | 402300 | VANE (Not Illustrated) | 4 |
| - | 072920 | SHIM (Not Illustrated) | 1 |
| 7 | 072826 | ELBOW | 2 |
| 8 | 402400 | FAN | 1 |
| 9 | 102282 | NIPPLE | 2 |
| 10 | 072265 | FILTER ASSEMBLY | 2 |
| 11 | 072855 | FILTER | 2 |
| 12 | 016569 | CAP - Plastic | 1 |
| 13 | 190398 | KEY - 3/16" x 3/16" x 1-3/8" | 1 |
| 14 | 072822 | PULLEY - Pump | 1 |
| 15 | 001523 | SCREW - Set, 5/16-18 x 3/8" | 1 |
| 16 | 073417 | ADAPTER - Tube | 2 |

Parts Catalog

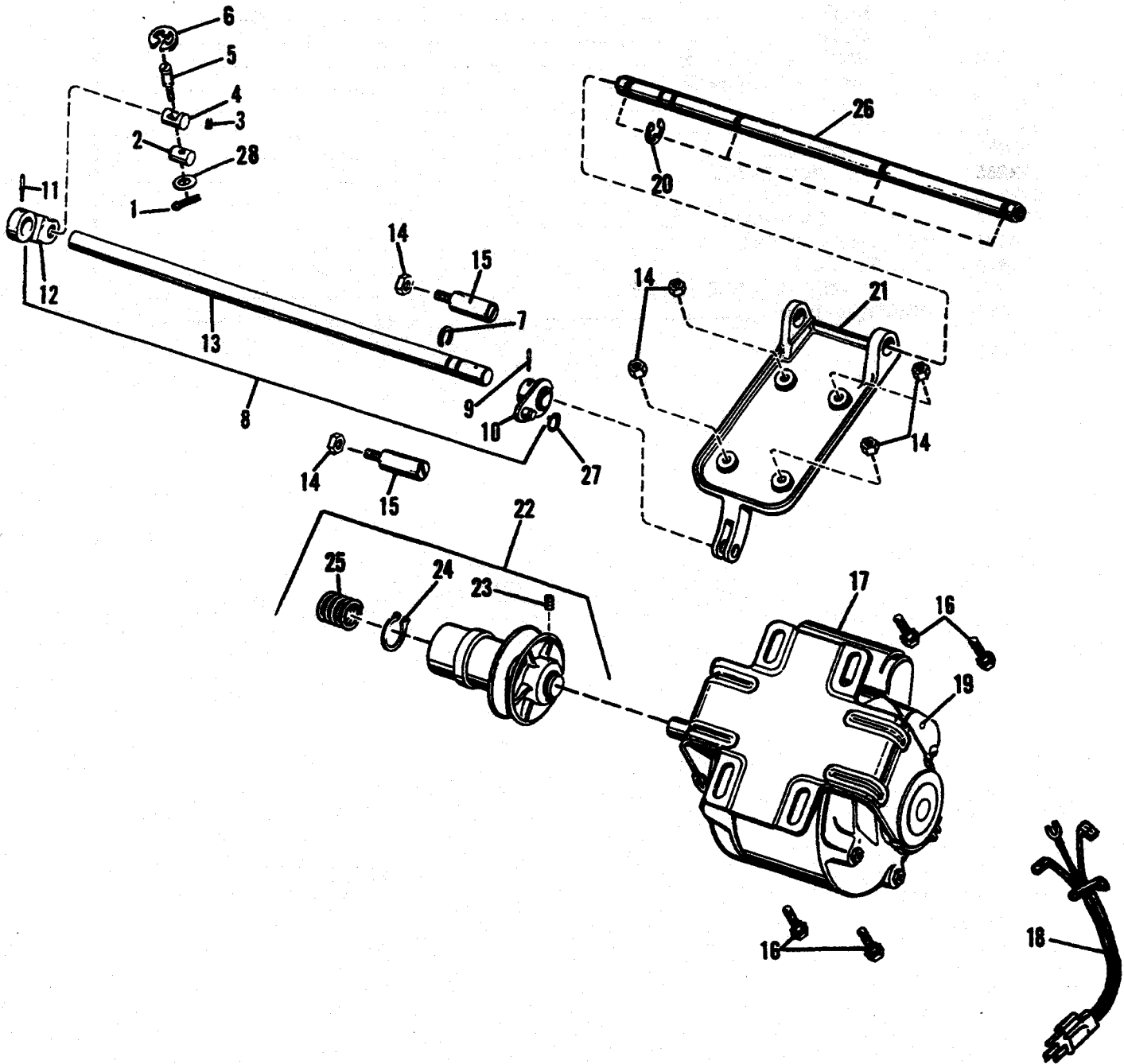


FIGURE 64
MODEL 9815/9850 Drive Motor and Related Parts

Parts Catalog

| Index No. | Part No. | MODEL 9805/9850 Figure 64 Description | Units Per Assy. |
|-----------|----------|---|-----------------|
| 1 | 195668 | PIN - Cotter, .060 x .625 O.A.L. | 1 |
| 2 | 072658 | NUT - Trunnion | 1 |
| 3 | 001573 | SCREW - Set, 1/4-28 x 5/16 | 1 |
| 4 | 072661 | TRUNNION | 1 |
| 5 | 012544 | SCREW - Adjustment, 1/4-28 | 1 |
| 6 | 001046 | RING - Retaining, .283 I.D. | 1 |
| 7 | 001784 | RING - Retaining, .559 I.D. | 1 |
| 8 | 008111 | SHAFT ASSEMBLY - Motor Pivot | 1 |
| 9 | 001983 | PIN - Roll, .167 O.D. x 1.015 O.A.L. | 1 |
| 10 | *072653 | LEVER | 1 |
| 11 | 000024 | PIN - Taper, .176 O.D. x 1.141 O.A.L. | 1 |
| 12 | *013065 | LEVER | 1 |
| 13 | *008112 | SHAFT | 1 |
| 14 | 150087 | NUT - 5/16-24 | 6 |
| 15 | 195195 | STUD - Motor Stop, 60 HZ. | 2 |
| 16 | 111092 | SCREW - 5/16-24 x 1.000 | 4 |
| 17 | 078663 | MOTOR ASSEMBLY - Drive, 1/3 HP, 115V. 60Hz. | 1 |
| 17 | 017129 | STARTING CAPACITOR for 78663 (Only) | 1 |
| 17 | 017858 | MOTOR ASSEMBLY - Drive, 3/4 HP, 100-115/200-230V. 50/60 Hz. | 1 |
| 18 | 074638 | CORD - Motor, 115V. 1/3 HP. | 1 |
| 18 | 017880 | CORD - Motor, 115V. 3/4 HP. 8" | 1 |
| 18 | 017998 | CORD - Motor, 115V. 3/4 HP. 15" | 1 |
| 19 | 001259 | SCREW - 10-16 x 1/2 | 1 |
| 20 | 001073 | RING - Retaining, .577 I.D. | 4 |
| 21 | 076206 | CRADLE | 1 |
| 22 | 013043 | PULLEY - Variable, 1/3 HP. 115V. 60HZ. (3/8" Belt) | 1 |
| 22 | 079073 | PULLEY - Variable, 3/4 HP. 50/60HZ. (1/2" Belt) | 1 |
| 23 | 006825 | SCREW - Set, 1/4-28 x 3/8 | 1 |
| 24 | 001787 | RING - Retaining, .756 I.D. | 1 |
| 25 | 191950 | SPRING - Compression | 1 |
| 26 | 008110 | SHAFT - Motor Support | 1 |
| 27 | 001047 | RING - Retaining, .340 I.D. | 1 |
| 28 | 190302 | WASHER - .189 I.D. x .375 O.D. | 1 |

*Not Procurable Separately

For Other Than 115 V. 60 Hz. or 115 V 50/60 Hz. Dual Usage

| | | | |
|----|--------|---|---|
| 15 | 195196 | STUD - Motor Stop, 50Hz. | 2 |
| 17 | 082035 | MOTOR ASSEMBLY - 3/4 H.P. 100/230V. 50Hz. | 1 |
| 17 | 082034 | MOTOR ASSEMBLY - 3/4 H.P. 100/200V. 60Hz. | 1 |
| 17 | 017858 | MOTOR ASSEMBLY - 3/4 H.P. 100/200/230V. 50/60Hz. | 1 |
| 17 | 084468 | MOTOR ASSEMBLY - 1/3 H.P. 100/200V. 50/60Hz. | 1 |
| 17 | 087340 | MOTOR ASSEMBLY - 1/2 H.P. 230V. 60Hz. | 1 |
| 17 | 073634 | MOTOR ASSEMBLY - 1/3 H.P. 115/230V. 60Hz. | 1 |
| 17 | 075916 | MOTOR ASSEMBLY - 1/2 H.P. 240V. 50Hz. | 1 |
| 17 | 079607 | MOTOR ASSEMBLY - 3/4 H.P. 240V. 50Hz. | 1 |
| 18 | 017878 | CORD - Motor, 200/220/230/240V. 50/60Hz. | 1 |
| 22 | 079074 | PULLEY - Variable, 3/4 HP. 50Hz. (1/2" Belt Old Design) | 1 |
| 22 | 072219 | PULLEY - Variable, 1/2-1/3 HP. 50Hz. (3/8" Belt) | 1 |

Parts Catalog

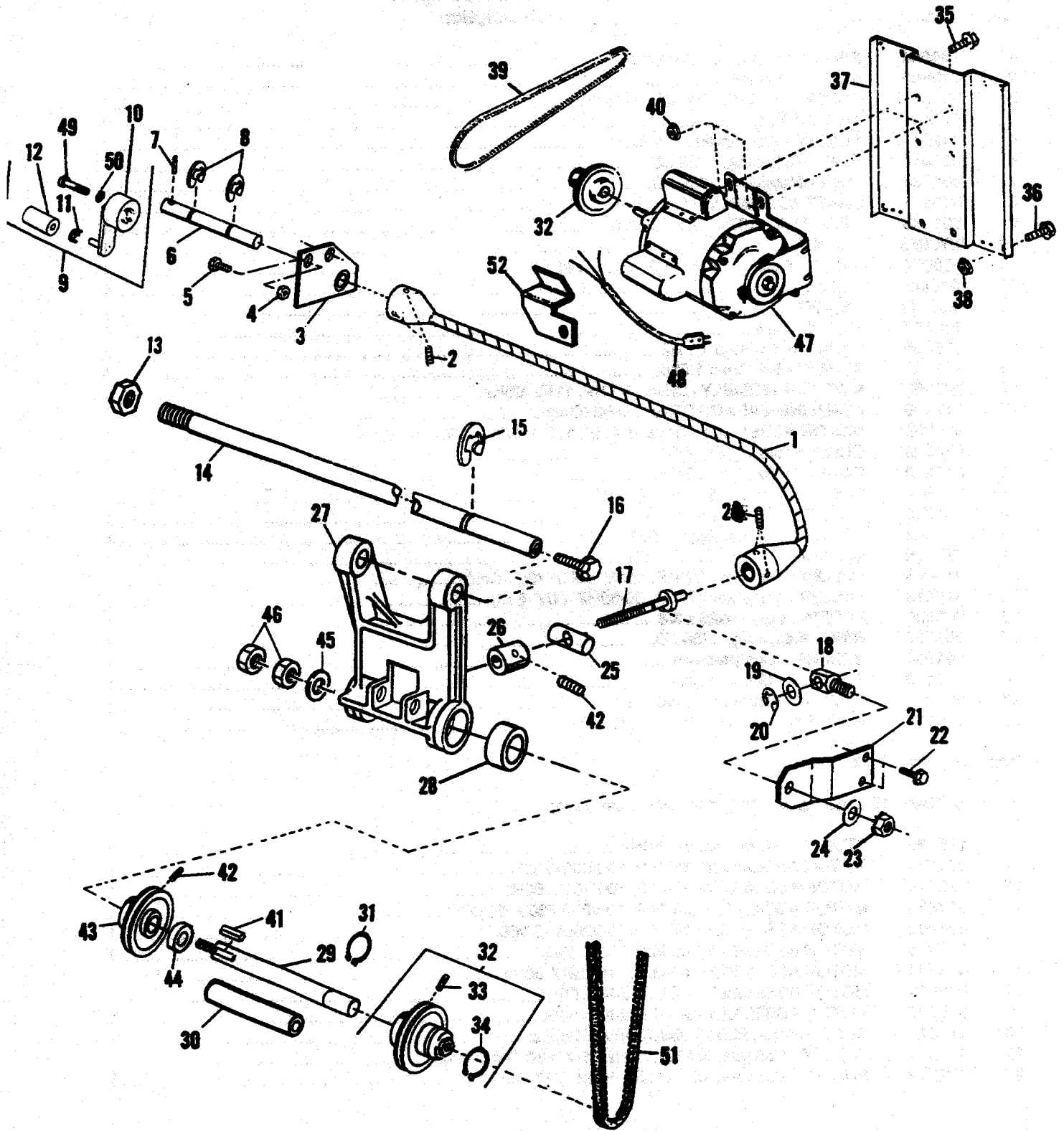


FIGURE 64A
MODEL 9805/9850 Drive Motor and Pulley Assembly

Parts Catalog

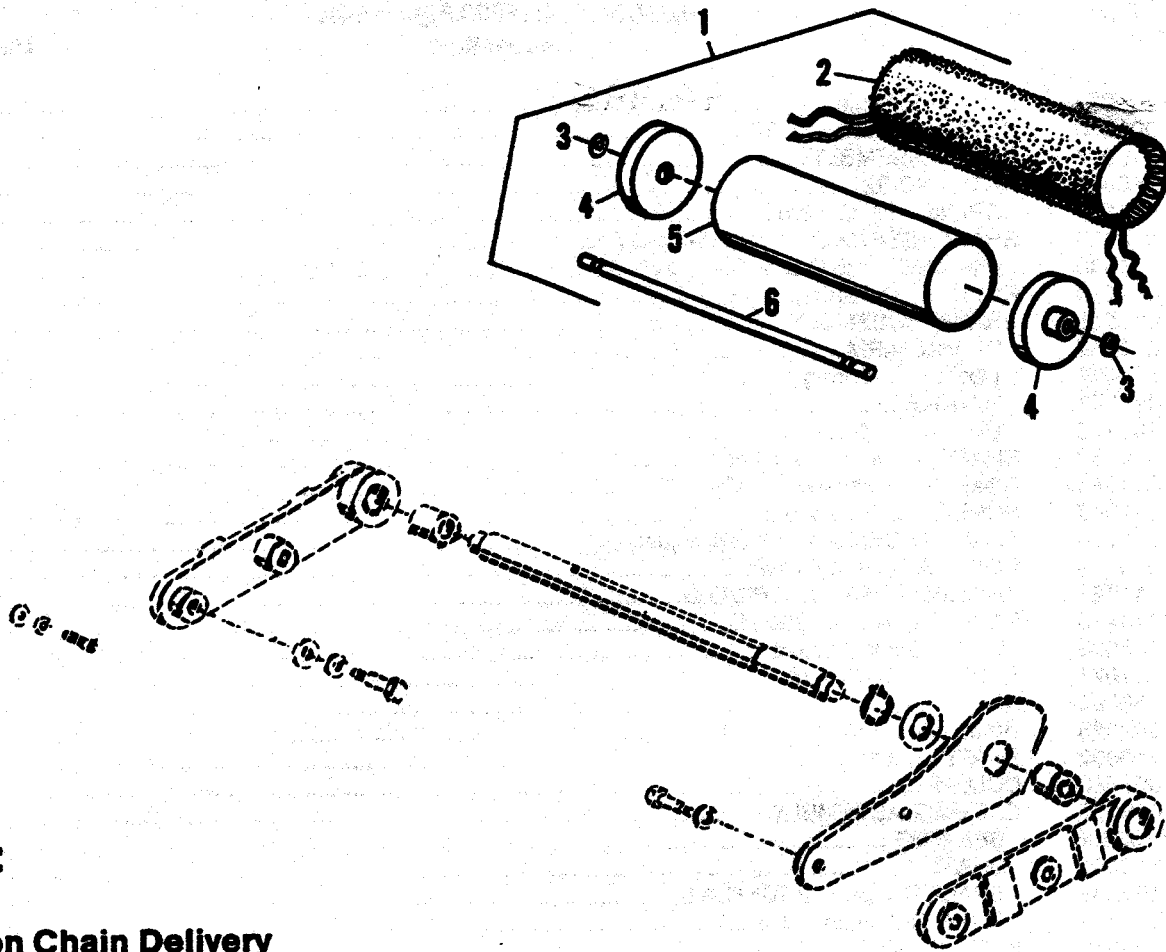
| Index No. | Part No. | MODEL 9805/9850 Figure 64A Description | Units Per Assy. |
|-----------|-------------------|---|-----------------|
| 1 | 001650 | SHAFT - Flexible 401995 | 1 |
| 2 | 001650 | SCREW - Set, 10-32 x 3/16 | 4 |
| 3 | 010094 | PLATE ASSEMBLY | 1 |
| 4 | 150083 | NUT - 10-32 | 2 |
| 5 | 111058 | SCREW - 10-32 x 5/8 | 2 |
| 6 | 010083 | SHAFT ASSEMBLY - Crank 5-3/4 O.A.L. | 1 |
| 7 | 001980 | PIN - Roll, .135 O.D. x .640 O.A.L. | 1 |
| 8 | 001080 | RING - Retaining, .302 I.D. | 2 |
| 9 | 017595 | CRANK ASSEMBLY | 1 |
| 10 | 017594 | CRANK ARM | 1 |
| 11 | 072052 | LOCK - Spring | 1 |
| 12 | 011371 | HANDLE | 1 |
| 13 | 101170 | NUT - 1/2-20 | 2 |
| 14 | 010082 | SHAFT - Idler Bracket | 1 |
| 15 | 001784 | RING - Retaining, .559 I.D. | 1 |
| 16 | 111089 | SCREW - 5/16-24 x 5/8 | 1 |
| 17 | 010085 | SHAFT ASSEMBLY - Speed Adjustment | 1 |
| 18 | 010079 | POST - Adjustment Shaft | 1 |
| 19 | 014727 | WASHER - .380 I.D. x .750 O.D. | 1 |
| 20 | 014473 | RING - Retaining, .296 I.D. | 1 |
| 21 | 010096 | PLATE - Shaft Support | 1 |
| 22 | 111071 | SCREW - 1/4-28 x 1/2 | 2 |
| 23 | 150085 | NUT - 3/8-16 | 1 |
| 24 | 003586 | WASHER - .380 I.D. x .750 O.D. | 1 |
| 25 | 010092 | SHAFT - 3/8-16 | 1 |
| 26 | 003560 | COLLAR | 1 |
| 27 | 016553 | CASTING ASSEMBLY | 1 |
| 28 | *195236 | BEARING | 2 |
| 29 | 016550 | SHAFT | 1 |
| 30 | 195238 | SPACER - Long, 2.765 O.A.L. | 1 |
| 31 | 101759 | RING - Retaining, .625 I.D. | 1 |
| 32 | 079073 | PULLEY - Variable Speed | 1 |
| 33 | 006825 | SCREW - Set, 1/4-20 x 3/8 | 2 |
| 34 | 001787 | RING - Retaining, .756 I.D. | 2 |
| 35 | 111087 | SCREW - 5/16-24 x 1/2 | 4 |
| 36 | 111077 | SCREW - 1/4-28 x 1.125 | 2 |
| 37 | 010081 | PANEL - Motor | 1 |
| 38 | 150085 | NUT - 1/4-28 | 2 |
| 39 | 196110 | BELT - Cog, Drive 4L210 | 1 |
| 39 | 196771 | BELT - Drive (New Style) | 1 |
| 40 | 150087 | NUT - 5/16-24 | 4 |
| 41 | 190725 | KEY - 3/16 x 3/16 x 11/16 | 1 |
| 42 | 001526 | SCREW - Set | 1 |
| 43 | 196123 | PULLEY - 2.8 O.D. | 1 |
| 44 | 081789 | WASHER - .627 I.D. x 1.000 O.D. x .060 | 1 |
| 45 | 014799 | WASHER - 1/2 I.D. x 7/8 O.D. | 1 |
| 46 | 101170 | NUT - 1/2-20 | 2 |
| 47 | 017858 | MOTOR - Drive, 3/4HP. 100-115/200-230V. 50/60Hz | 1 |
| 48 | 017998 | CORD - Motor, 115V. 3/4HP. 15" O.A.L. | 1 |
| 49 | 196244 | SCREW - Special, 10-32 x 1.000 O.A.L. | 1 |
| 50 | 039642 | RING - Vinyl, .155 I.D. x .295 O.D. x .075 | 1 |
| 51 | 196112 | BELT - Cog Drive, 4L500 | 1 |
| 51 | 196773 | BELT - Drive (new Style) | 1 |
| 52 | 016862 | BRACKET - Flexible Shaft | 1 |

*Not Procurable Separately

For Other Than 115V. 60HZ. or 115V. 50/60HZ. Dual Usage

| | | | |
|----|--------|------------------------------------|---|
| 39 | 196124 | BELT - Cog, Drive 4L200 50HZ. | 1 |
| 39 | 196770 | BELT - Drive (New Style) | 1 |
| 43 | 196109 | PULLEY - 2.5 O.D. 50HZ. | 1 |

Parts Catalog



NOTE:

For use on Chain Delivery
with aluminum frames.

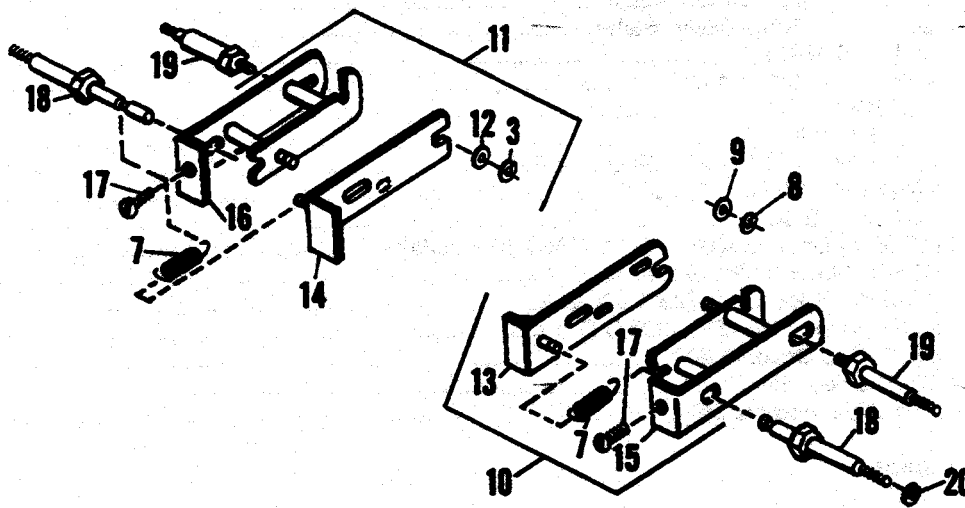


FIGURE 65
MODEL 9815/9850 Paper Guide Wetting Roller

Parts Catalog

| Index No. | Part No. | MODEL 9805/9850 Figure 65 Description | Units Per Assy. |
|-----------|----------|---|-----------------|
| 1 | *** | MOLLETON ASSEMBLY - Paper Guide Wetting | 1 |
| 2 | 073591 | MOLLETON COVER - Wetting Roller | 1 |
| 3 | 014472 | RING- Retaining External, .207 I.D. x .516 O.D. x .027 | 4 |
| 4 | 073588 | HUB - Wetting Roller | 2 |
| 5 | 073587 | ROLLER - Paper Guide Wetting | 1 |
| 6 | 078737 | SHAFT - Wetting Roller | 1 |
| 7 | 072625 | SPRING - .343 O.D. x 1.125 O.A.L. | 2 |
| 8 | 001095 | RING - Retaining External, .245 I.D. x .500 O.D. x .027 | 4 |
| 9 | 001766 | WASHER - .325 I.D. x .510 O.D. x .0329 | 4 |
| 10 | 073576 | SLIDE ASSEMBLY - O.S. | 1 |
| 11 | 073577 | SLIDE ASSEMBLY - N.O.S. | 1 |
| 12 | 021203 | WASHER - .255 I.D. x 1/2 O.D. x .0299 | 2 |
| 13 | 073593 | SPRING PIN ASSEMBLY - O.S. | 1 |
| 14 | 073594 | SPRING PIN ASSEMBLY - N.O.S. | 1 |
| 15 | 073578 | LINK ASSEMBLY - O.S. | 1 |
| 16 | 073583 | LINK ASSEMBLY - N.O.S. | 1 |
| 17 | 111062 | SCREW - 10-32 x 1-1/2 | 2 |
| 18 | 073590 | ANCHOR - Spring, Slide Mounting | 2 |
| 19 | 073589 | STUD - Mounting, 1/4-28 | 2 |
| 20 | 001763 | WASHER- Lock, .393 I.D. x .675 O.O. x .136 | 4 |

***Not Available As An Assembly

NOTE: All above parts are used for Chain Delivery with Aluminum Frames.

Parts Catalog

| Index No. | Part No. | MODEL 9805/9850 Figure 66 Description | Units Per Assy. |
|-----------|-----------|---|-----------------|
| 1 | ***081663 | GUIDE ASSEMBLY - Paper Ejector | 2 |
| 2 | 041776 | SPRING - Tension, .343 O.D. x 1.375 O.A.L. x .047 | 1 |
| 3 | 001060 | RING - Retaining, .208 I.D. x .027 | 1 |
| 4 | 014741 | WASHER - Spring, .572 O.D. x .267 I.D. x .008 | 1 |
| 5 | 081664 | PIN - Guide Pivot | 1 |
| 6 | 081665 | GUIDE - Paper Ejector | 1 |
| 7 | 081857 | GUIDE - Paper Ejector | 1 |
| 8 | 100343 | PIN - Drive, .136 O.D. x 5/8 | 2 |
| 9 | 073589 | SCREW - Shoulder, 1/4-28 | 2 |
| 10 | 001763 | WASHER - Lock, .678 O.D. x .382 I.D. x .070 | 2 |
| 11 | 073590 | ANCHOR - Spring | 2 |
| 12 | 073939 | SPACER - .750 O.D. x .379 I.D. x .125 (M375-CD) | 2 |
| 13 | 007722 | SHAFT AND GEAR ASSEMBLY | 1 |
| 14 | 078489 | GEAR - Sprocket Drive | 1 |
| 15 | 014219 | SCREW - 1/4-20 x 3/4 | 3 |
| 16 | 001731 | WASHER - Lock, .453 O.D. x .285 I.D. x .046 | 3 |
| 17 | 005620 | WASHER - .625 O.D. x .254 I.D. .059 | 3 |
| 18 | 014906 | PIN - Taper, .220 O.D. x 1.698 O.A.L. | 2 |
| 19 | 082013 | DRIVE SPROCKET SUPPORT ASSEMBLY | 2 |
| 20 | 014641 | BUSHING - .878 O.D. x .754 I.D. x .875 | 2 |
| 21 | 190143 | SPACER - 1-3/8 x .756 x .125 | 1 |
| 22 | 081620 | CAM - Gripper Actuating | 1 |
| 23 | 014753 | WASHER - 1.156 O.D. x .765 I.D. x .030 | 2 |
| 24 | 001093 | RING - Retaining, .698 I.D. x .044 | 1 |

* Not Available As An Assembly

NOTE: All above parts are used for Chain Delivery with Aluminum Frames.

Parts Catalog

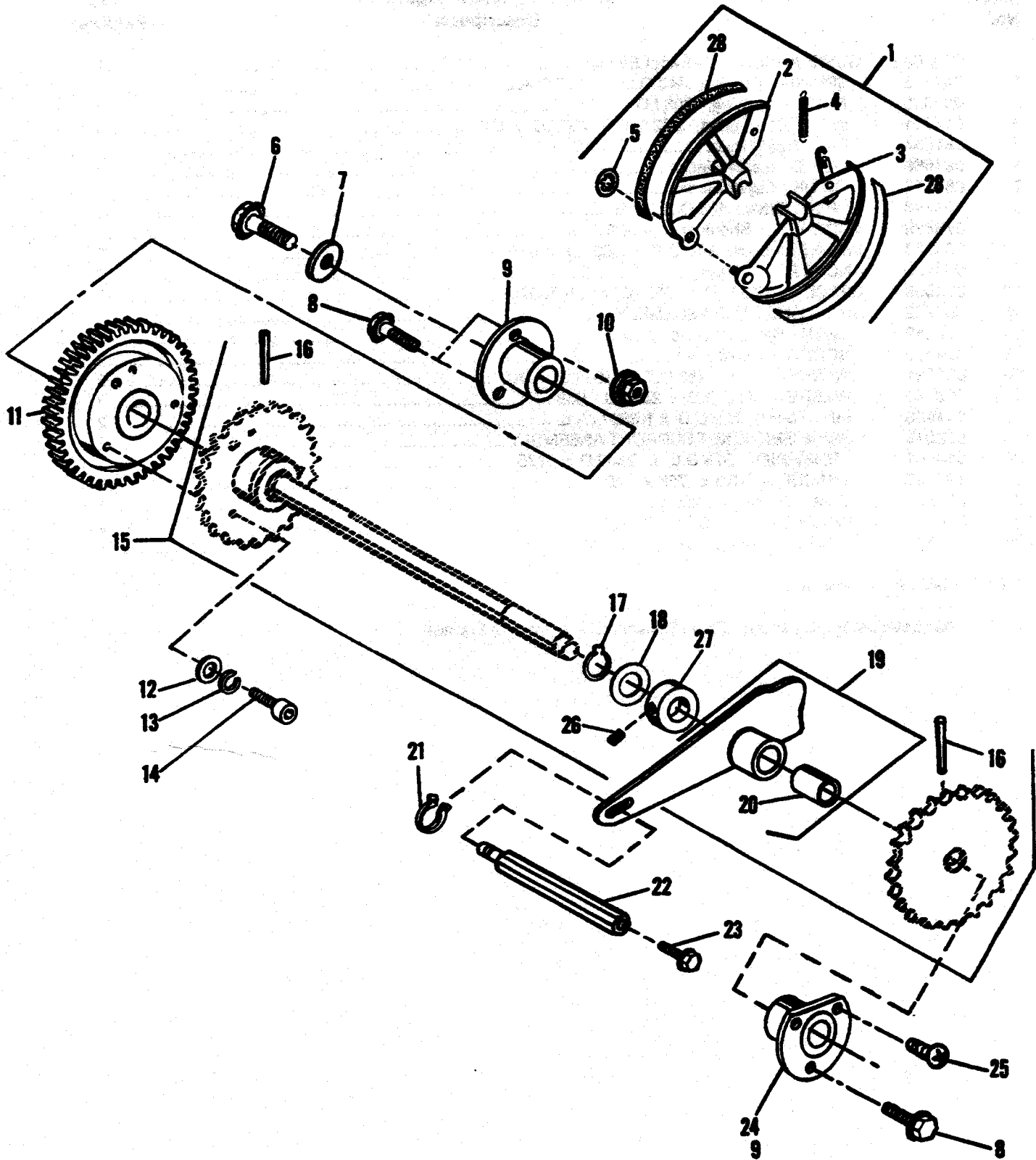


FIGURE 66A
MODEL 9820/9850 (1:1) Sprocket Shaft and Paper Guide Assemblies

Parts Catalog

| Index No. | Part No. | MODEL 9805/9850 Figure 66A Description | Units Per Assy. |
|-----------|-----------|--|-----------------|
| 1 | ***016384 | GUIDE ASSEMBLY - Paper | 2 |
| 2 | 016385 | GUIDE ASSEMBLY - Upper | 1 |
| 3 | 016387 | GUIDE ASSEMBLY - Lower | 1 |
| 4 | 041776 | SPRING - Tension, .343 I.D. x 1.375 O.A.L. x .047 | 1 |
| 5 | 196607 | RING - Push - On, .246 I.D. x .037 | 1 |
| 6 | 111087 | SCREW - 5/16-24 x 1/2 | 1 |
| 7 | 014784 | WASHER - Plain, .328 I.D. x .812 O.D. x .092 | 1 |
| 8 | 111055 | SCREW - 10-32 x 9/16 | 6 |
| 9 | 016376 | BEARING | 2 |
| 10 | 150083 | NUT - 10-32 | 6 |
| 11 | 016374 | GEAR - Sprocket Drive | 1 |
| 12 | 005620 | WASHER - .254 I.D. x .625 O.D. x .059 | 3 |
| 13 | 001731 | WASHER - Lock, .256 I.D. x .453 O.D. x .046 | 3 |
| 14 | 014229 | SCREW - Cap, 1/4-20 x 3/4 | 3 |
| 15 | 016367 | SPROCKET AND SHAFT ASSEMBLY - Drive | 1 |
| 16 | 007076 | PIN - Taper, .203 O.D. x 1.268 O.A.L. | 2 |
| 17 | 014513 | RING - Retaining, .584 I.D. x .037 | 2 |
| 18 | 014761 | WASHER - Plain, .628 I.D. x 1.000 O.D. x .029 | 2 |
| 19 | 016368 | CAM ASSEMBLY - Gripper | 1 |
| 20 | 014608 | BUSHING - .629 I.D. x .754 O.D. x .875 O.A.L. | 1 |
| 21 | 001046 | RING - Retaining, .283 I.D. x .027 | 1 |
| 22 | 196386 | STUD - Cam Support | 1 |
| 23 | 111054 | SCREW - 10-32 x 1/2 | 1 |
| 24 | 016542 | BEARING - O.S. (Machines w/Doubles Detector Switch) | 1 |
| 25 | 014327 | SCREW - Flat Head, 10-32 x 1/2 (Mach. w/Doubles Det. Switch) | 1 |
| 26 | 001650 | SCREW - Set, 10-32 x 3/16 | 1 |
| 27 | 081699 | COLLAR - .629 I.D. x 1-1/16 O.D. x 1/8 | 1 |
| 28 | 016429 | TAPE - Non Tracking | 2 |

***Not Available As An Assembly

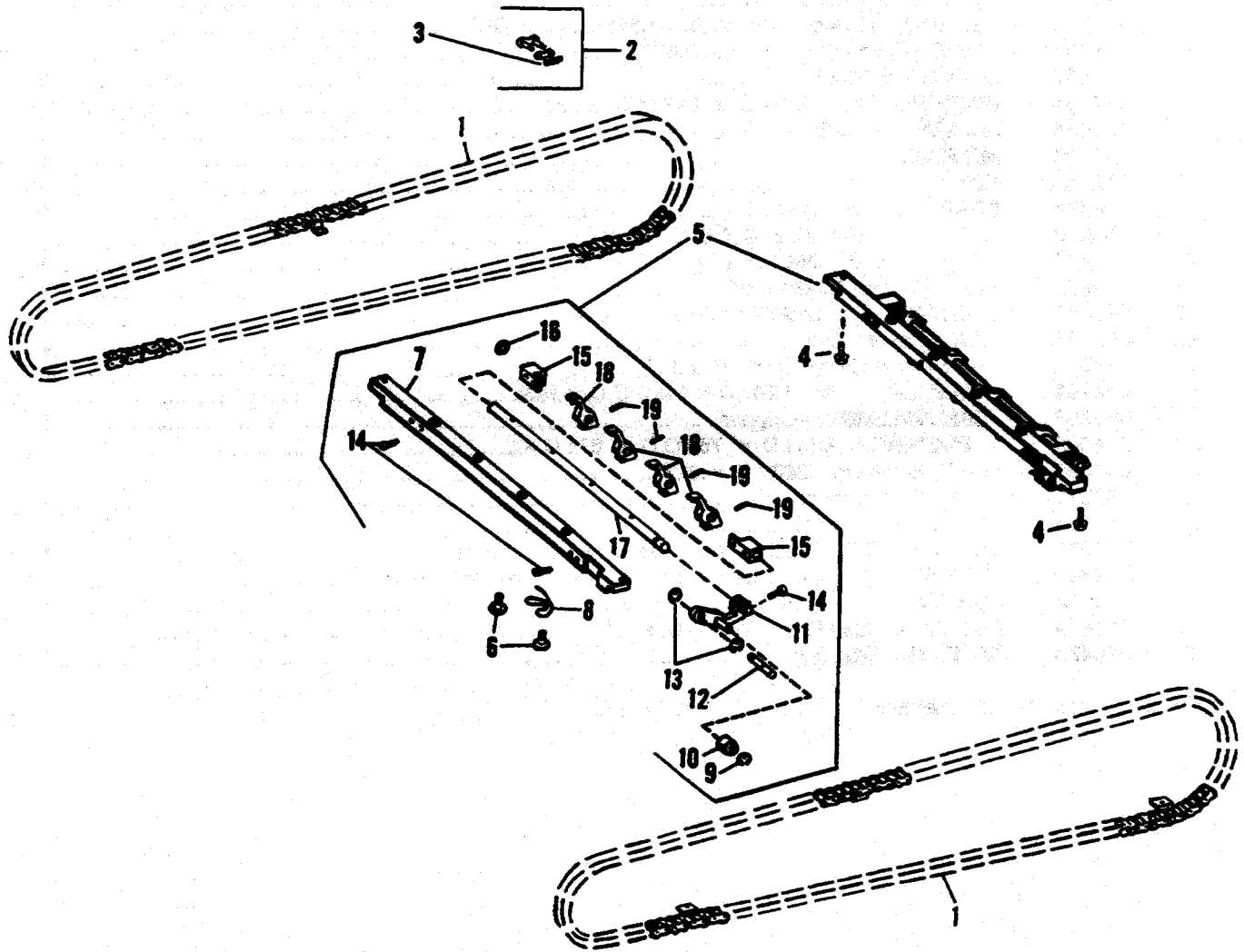


FIGURE 67
MODEL 9815/9850 Gripper Bar and Chain Assemblies

Parts Catalog

| Index Part | | MODEL 9805/9850 Figure 67 | Units |
|------------|-------------------|--|-----------|
| No. | No. | Description | Per Assy. |
| 1 | >078485 | CHAIN ASSEMBLY - Gripper Bar Carrier #40..... | 2 |
| 1 | 016381 | CHAIN ASSEMBLY - Gripper Bar #41..... | 2 |
| 2 | >081885 | LINK ASSEMBLY - Chain Coupler #40..... | 2 |
| 2 | 196473 | LINK ASSEMBLY - Chain Coupler #41..... | 1 |
| 4 | >014327 | SCREW - 10-32 x 1/2..... | 6 |
| 4 | 101918 | SCREW - Hex Socket, Nylok, 10-32 x 5/8 (Old Design)..... | 6 |
| 4 | 100976 | SCREW - Hex Head, NYLOK 10-32 x 5/16..... | 6 |
| 5 | 016690 | GRIPPER BAR ASSEMBLY..... | 3 |
| 6 | 041750 | SCREW - Shoulder, 8-32..... | 2 |
| 7 | 016691 | BAR ASSEMBLY - Gripper..... | 1 |
| 8 | 016692 | SPRING - Gripper Tension..... 080431 | 2 |
| 9 | >001060 | RING - Retaining, .208 I.D. x .027..... | 1 |
| 9 | 001049 | RING - Retaining, .227 I.D. x .027..... | 1 |
| 10 | >073064 | TRUCK - Cam Follower..... | 1 |
| 10 | 196412 | TRUCK - Cam Follower..... | 1 |
| 11 | >081765 | CAM FOLLOWER - Gripper Assembly..... | 1 |
| 11 | 016501 | CAM FOLLOWER - Gripper..... | 1 |
| 12 | 080564 | STUD - Cam Follower..... | 1 |
| 13 | 014504 | RING - Retaining, .146 I.D. x .027..... | 2 |
| 14 | 014164 | SCREW - 8-32 x 7/16..... | 5 |
| 15 | 081764 | BEARING - Gripper Shaft..... | 2 |
| 16 | 001046 | RING - Retaining, .283 I.D. x .027..... | 1 |
| 17 | 007727 | SHAFT ASSEMBLY - Gripper..... | 1 |
| 18 | 081762 | GRIPPER - Paper..... | 4 |
| 19 | 014576 | PIN - Driv-Lok, .093 O.D. x 9/16..... | 4 |

>For Chain Delivery With Aluminum Frames

Parts Catalog

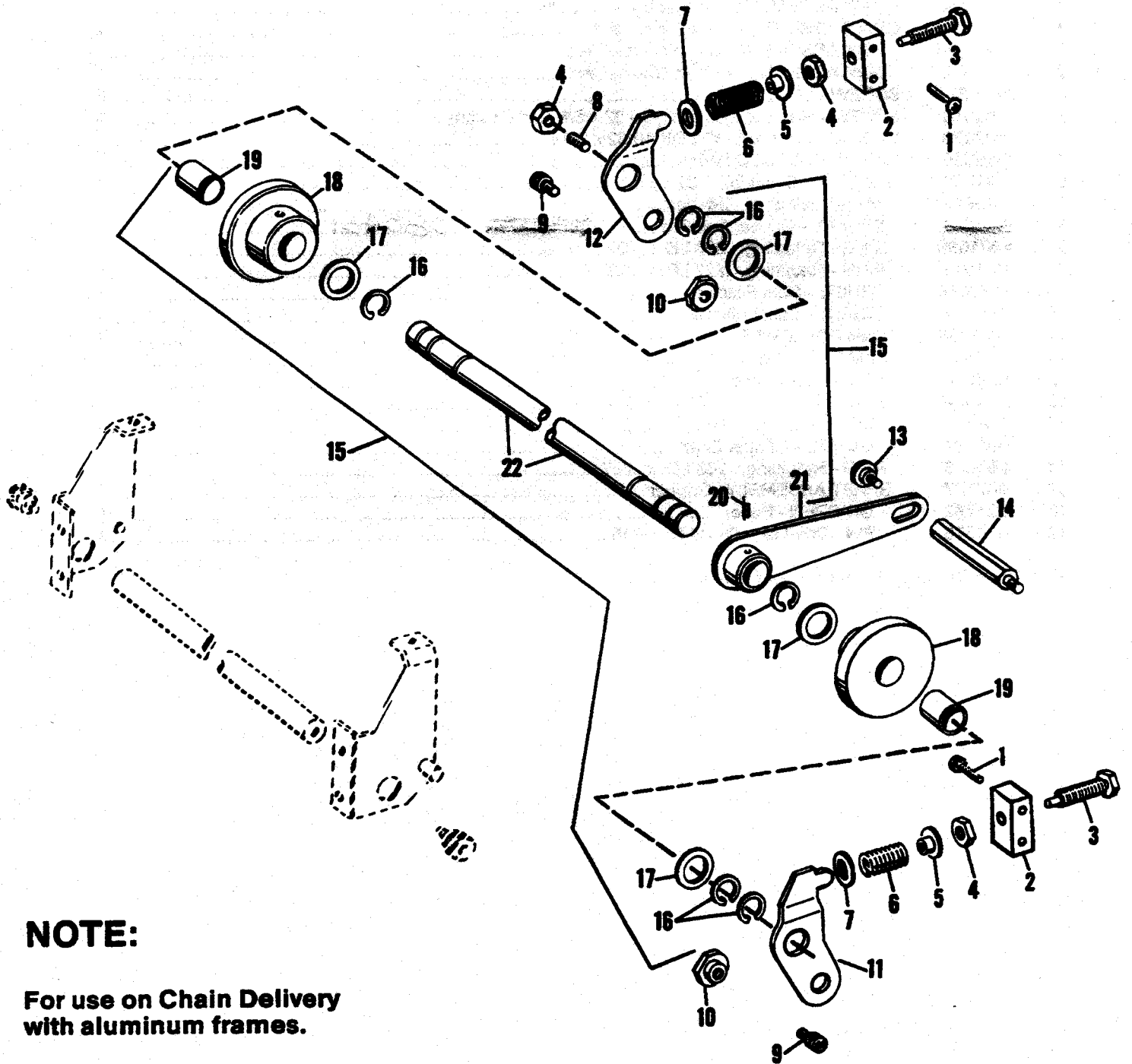


FIGURE 68
MODEL 9815/9850 Idler Shaft Assembly

Parts Catalog

| Index No. | Part No. | MODEL 9805/9850 Figure 68 Description | Units Per Assy. |
|-----------|-----------|---|-----------------|
| 1 | 111059 | SCREW - 10-32 x 1.000 | 4 |
| 2 | 081527 | BLOCK - Idler Tension | 2 |
| 3 | 081528 | SCREW - Tension Adjusting, 5/16-18 | 2 |
| 4 | 001840 | NUT - 5/16-18 | 3 |
| 5 | 081623 | RETAINER - Spring | 2 |
| 6 | 081836 | SPRING - Compression, .750 O.D. x 1.500 O.A.L. x .156 | 2 |
| 7 | 190157 | SPACER - Idler Compression Spring | 2 |
| 8 | 014322 | SCREW - Set, 5/16-18 x 3/4 | 1 |
| 9 | 014215 | SCREW - 10-32 x 3/8 | 2 |
| 10 | 190134 | NUT - 10-32 | 2 |
| 11 | 081622 | LEVER - Idler Tension, O.S. | 1 |
| 12 | 081654 | LEVER - Idler Tension, N.O.S. | 1 |
| 13 | 081697 | SCREW - Shoulder, 10-32 | 1 |
| 14 | 081526 | STUD - Cam Assembly Support | 1 |
| 15 | ***007720 | SHAFT ASSEMBLY - Idler | 1 |
| 16 | 001784 | RING - Retaining, .566 I.D. x .037 | 6 |
| 17 | 014761 | WASHER - 1.000 O.D. x .628 I.D. x .029 | 4 |
| 18 | 081660 | ROLLER ASSEMBLY - Chain Idler | 2 |
| 19 | 014608 | BUSHING - .754 O.D. x .629 I.D. x .875 | 1 |
| 20 | 014372 | SCREW - Set, 10-32 x 1/4 | 1 |
| 21 | 081656 | CAM ASSEMBLY - Gripper Actuating | 1 |
| 22 | 007721 | SHAFT - Idler | 1 |

***Not Available As An Assembly

NOTE: All above parts are used for Chain Delivery with Aluminum Frames.

Parts Catalog

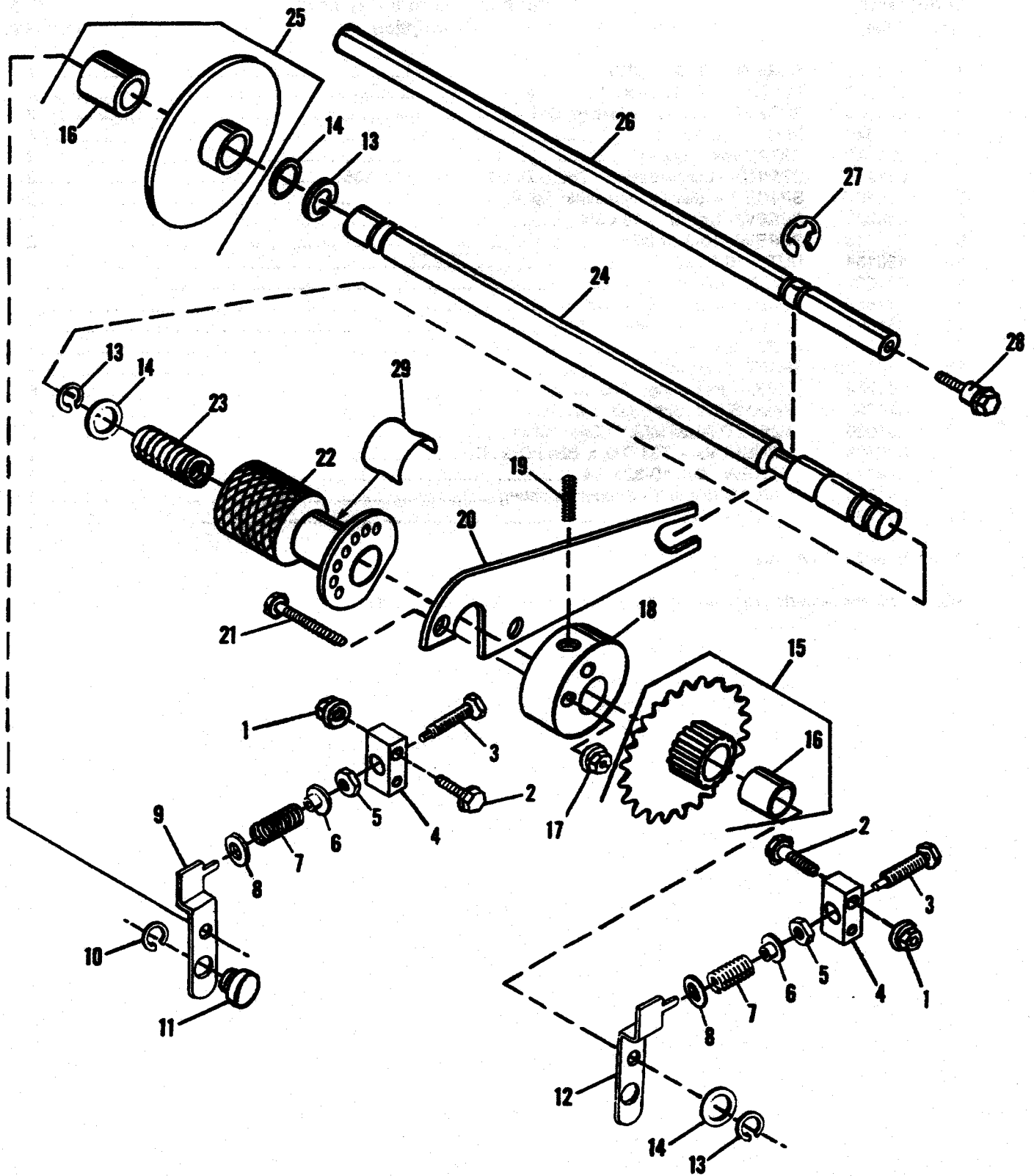


FIGURE 68A
MODEL 9820/9850 (1:1) Idler Shaft Assembly

Parts Catalog

| Index No. | Part No. | MODEL 9805/9850 Figure 68A Description | Units Per Assy. |
|-----------|----------|--|-----------------|
| 1 | 150083 | NUT - 10-32 | 4 |
| 2 | 111060 | SCREW - 10-32 x 1-1/8 | 4 |
| 3 | 081528 | SCREW - Tension Adjusting, 5/16-18 | 2 |
| 4 | 081527 | BLOCK - Idler Tension | 2 |
| 5 | 001840 | NUT - 5/16-18 | 2 |
| 6 | 081623 | RETAINER- Spring | 2 |
| 7 | 081836 | SPRING- Compression, .750 O.D. x 1.500 O.A.L. x .156 | 2 |
| 8 | 190157 | SPACER - Idler Tension | 2 |
| 9 | 016397 | LEVER - Tension, N.O.S. | 1 |
| 10 | 001076 | RING - Retaining, .815 I.D. x .044 | 2 |
| 11 | 196410 | PIVOT - Stud | 2 |
| 12 | 016398 | LEVER - Tension, O.S. | 1 |
| 13 | 001784 | RING - Retaining, .559 I.D. x .037 | 7 |
| 14 | 014761 | WASHER - Plain, .628 I.D. x 1.000 O.D. x .029 | 7 |
| 15 | 016393 | SPROCKET ASSEMBLY | 1 |
| 16 | 001420 | BUSHING - .629 I.D. x .754 O.D. x 1.000 O.A.L. | 1 |
| 17 | 150080 | NUT - 6-32 | 2 |
| 18 | 016507 | HUB ASSEMBLY - W/Pin | 1 |
| 19 | 014247 | SCREW - Set, 10-32 x 1/4 | 1 |
| 20 | 016502 | ARM - Roller Guide | 1 |
| 21 | 101947 | SCREW - Flat Head, 6-32 x 1-1/8 | 2 |
| 22 | 016504 | CAM ASSEMBLY - Release | 1 |
| 23 | 190220 | SPRING - Compression | 1 |
| 24 | 016396 | SHAFT - Idler | 1 |
| 25 | 016391 | ROLLER ASSEMBLY | 1 |
| 26 | 016524 | TIE BAR | 1 |
| 27 | 001094 | RING - Retaining, .394 I.D. x .044 | 2 |
| 28 | 081553 | SCREW - Dowel, 1/4-28 | 2 |
| 29 | 016363 | DECAL | 1 |

Parts Catalog

NOTE:

For use on Chain Delivery
with aluminum frames.

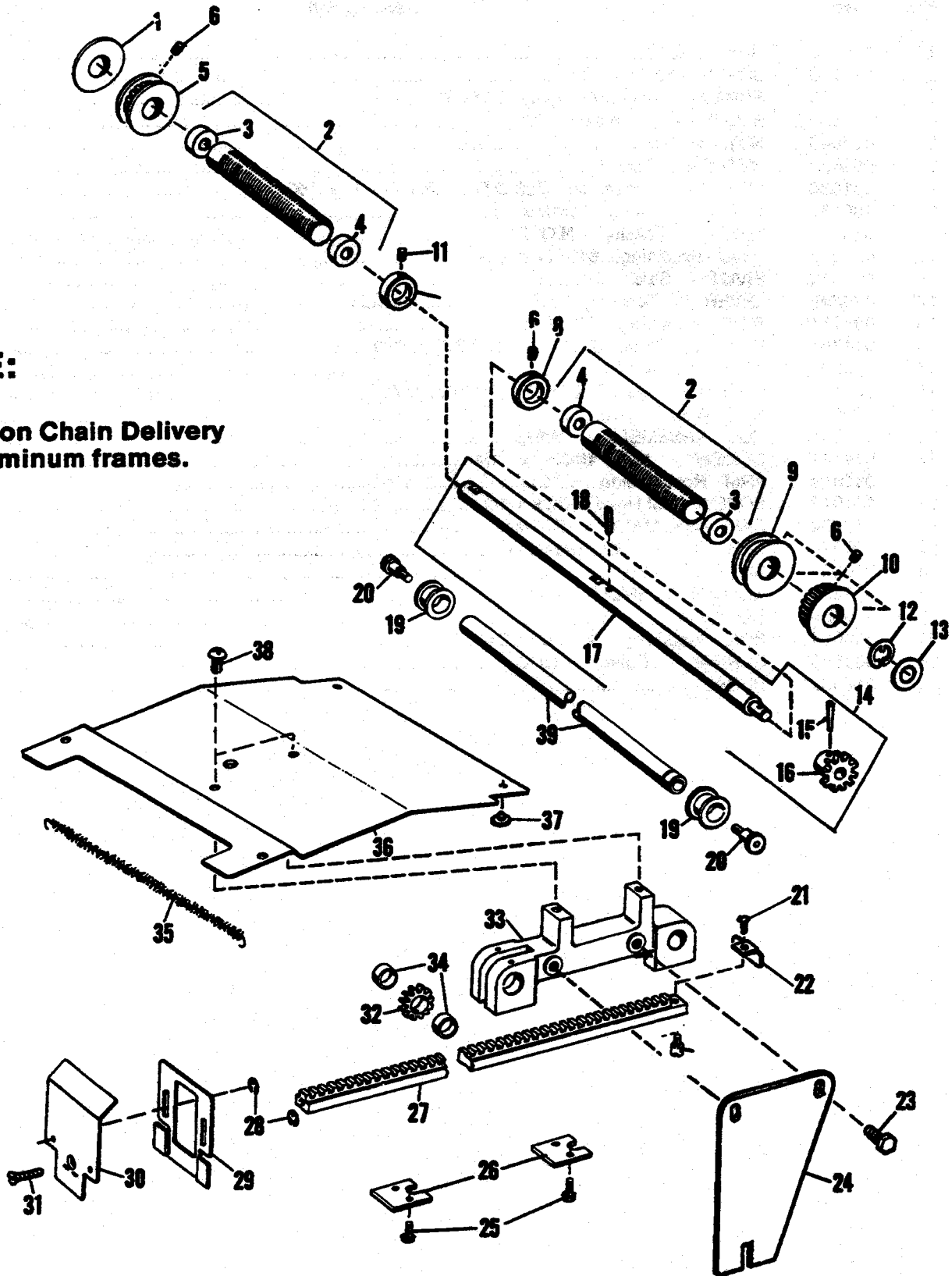


FIGURE 69
MODEL 9815/9850 Back and Side Jogger Mechanism

Parts Catalog

| Index No. | Part No. | MODEL 9805/9850 Figure 69 Description | Units Per Assy. |
|-----------|----------|--|--------------------|
| 1 | 195463 | SPACER | 1 |
| 2 | 007703 | SCREW ASSEMBLY - Jogger | 2 |
| 3 | 195932 | BUSHING - .629 I.D. x .721 O.D. x .375 O.A.L. | 2 |
| 4 | 024642 | BUSHING - .629 I.D. x .721 O.D. x .500 O.A.L. | 2 |
| 5 | 076655 | PULLEY - Timing, N.O.S. | 1 |
| 6 | 100352 | SCREW - Set, 8-32 x 1/4 | 6 |
| 7 | 078464 | SPACER | 1 |
| 8 | 081699 | SPACER | 1 |
| 9 | 076512 | GUIDE - jogger | 1 |
| 10 | 076500 | PULLEY - Timing | 1 |
| 11 | 001650 | SCREW - Set, 10-32 x 3/16 | 2 |
| 12 | 014510 | RING - Retaining, .483 I.D. x .940 O.D. x .044 | 1 |
| 13 | 081789 | SPACER | 1 |
| 14 | 007709 | SHAFT ASSEMBLY - Jogger Screw | 1 |
| 15 | 000023 | PIN - Taper, .177 O.D. x .937 | 1 |
| 16 | *081684 | GEAR - Drive Shaft | 1 |
| 17 | *007710 | SHAFT - jogger Screw | 1 |
| 18 | 001976 | PIN - Roll, .135 O.D. x .827 | 1 |
| 9 | 081790 | SLEEVE - Tie Rod | 2 |
| 20 | 081677 | SCREW - Shoulder, 5/16-18 | 2 |
| 21 | 100958 | SCREW - Nylok, 8-32 x .375 | 1 |
| 22 | 076200 | BRACKET - Stop, Rack | 1 |
| 23 | 111071 | SCREW - 1/4-28 x 1/2 QPC & PRO | 2 |
| 24 | 017807 | PLATE - Support Assembly | 1 |
| 25 | 111052 | SCREW - 10-32 x 3/8 | 4 |
| 26 | 081695 | PLATE - Gear Rack Mounting | 2 |
| 27 | 081337 | GEAR RACK - Back Jogger | 1 |
| 28 | 001060 | RING - Retaining, .208 I.D. x .027 | 2 |
| 29 | 081856 | PLATE - Back Jogger Drop | 1 |
| 30 | 081855 | PLATE ASSEMBLY - Mounting | 1 |
| 31 | 014366 | SCREW - 10-32 x 3/4 | 1 |
| 32 | 081683 | GEAR - Rack Drive | 1 |
| 33 | 081625 | SUPPORT ASSEMBLY - Gear Rack | 1 |
| 34 | 014636 | BUSHING - .754 O.D. x .629 I.D. x .375 | 2 |
| 35 | *** | TINSEL | 1 |
| 36 | 017680 | COVER - Gear Rack | 1 |
| 37 | 081725 | PLUG - Cover Assembly | 2 |
| 38 | 001685 | SCREW - 1/4-28 x 3/8 | 2 |
| 39 | 007715 | TIE ROD - Frame | 1 |

*Not Procurable Separately

***Order As Supply Item #670 (2 rolls = 12 yds. or 10.9M each)

NOTE: All above parts are used for Chain Delivery with Aluminum Frames

Parts Catalog

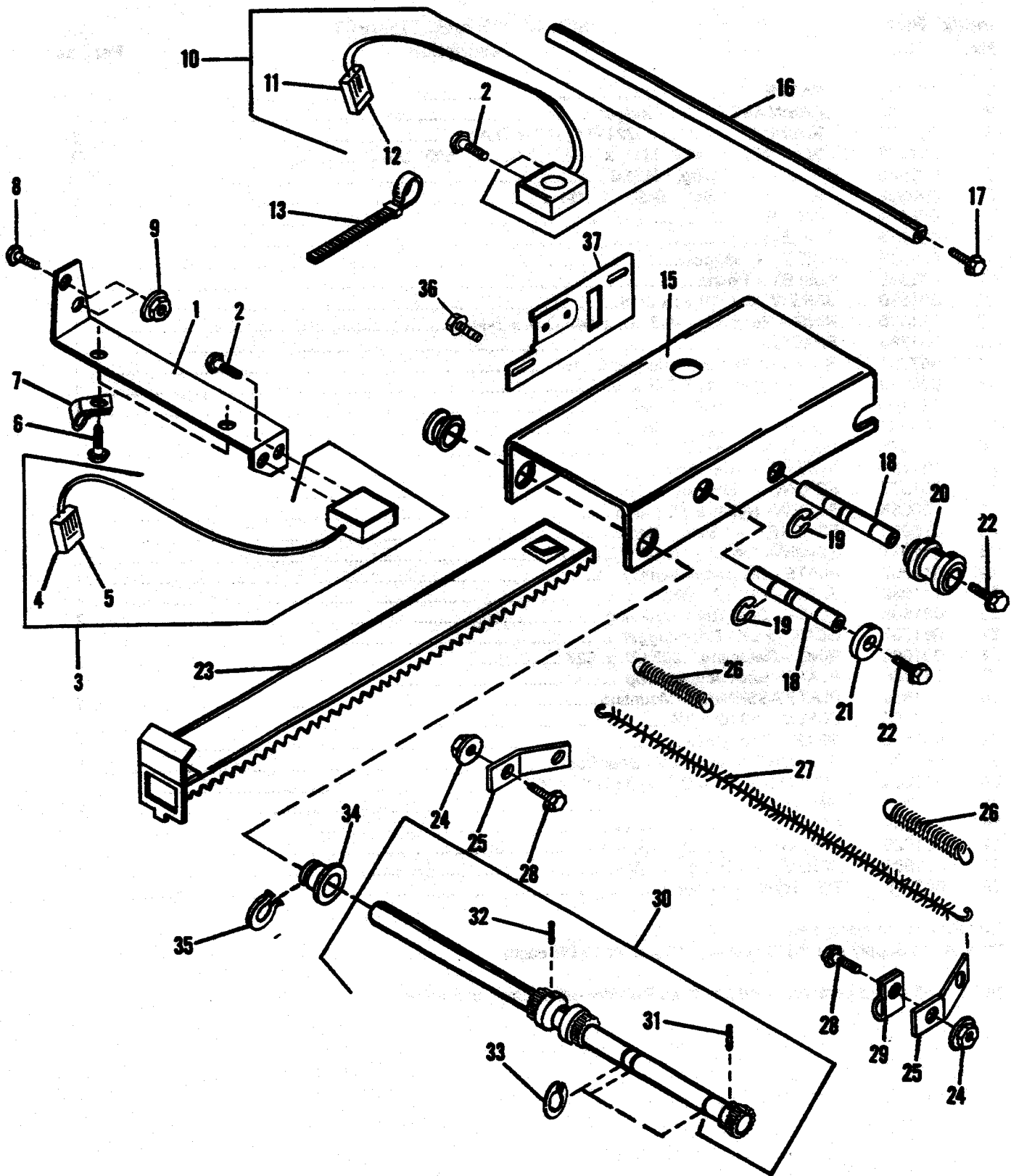


FIGURE 69A
MODEL 9820/9850 (1:1) Back Jogger Mechanism - Part I

Parts Catalog

| Index No. | Part No. | MODEL 9805/9850 Figure 69A Description | Units Per Assy. |
|-----------|----------|---|--------------------|
| 1 | 016459 | BRACKET - Sensor | 1 |
| 2 | 000895 | SCREW - 6-32 x 3/8 | 4 |
| 3 | 011506 | PHOTOTRANSISTOR ASSEMBLY - Upper | 1 |
| 4 | 250256 | CONNECTOR HOUSING - Plug | 1 |
| 5 | 250259 | TERMINAL - Socket | 2 |
| 6 | 100666 | SCREW - Self-Tapping, 8/32 x 5/16 | 2 |
| 7 | 250202 | CLAMP - Cable, 1/8 | 2 |
| 8 | 001542 | SCREW - Flat Head, 10-32 x 7/16 | 2 |
| 9 | 150083 | NUT - 10-32 | 2 |
| 10 | 011507 | LAMP ASSEMBLY - Infrared, Lower | 1 |
| 11 | 250258 | CONNECTOR HOUSING - Socket | 1 |
| 12 | 250257 | TERMINAL - Pin | 2 |
| 13 | 250077 | TIE - Cable, 3-7/8 O.A.L. | 2 |
| 14 | 100731 | BUSHING - Flanged Nylon, .501 I.D. x .562 O.D. x .078 | 2 |
| 18 | 016431 | SHAFT | 2 |
| 19 | 001776 | RING - Retaining, .273 I.D. x .027 | 4 |
| 20 | 016430 | ROLLER - Rear | 1 |
| 21 | 196399 | ROLLER - Rack, Upper | 1 |
| 22 | 111052 | SCREW - 10-32 x 3/8 | 4 |
| 23 | 016421 | RACK ASSEMBLY - Jogger | 1 |
| 24 | 014808 | NUT - 10-32 | 2 |
| 25 | 081107 | CLIP - Spring | 2 |
| 26 | 050621 | SPRING - Tension, .218 O.D. x 1.218 O.A.L. | 2 |
| 27 | *** | TINSEL | A/R |
| 28 | 111054 | SCREW - 10-32 x 1/2 | 2 |
| 29 | 100960 | CLAMP - 1/4 | 1 |
| 30 | 016424 | SHAFT ASSEMBLY - Jogger | 1 |
| 31 | 000009 | PIN - Taper, .110 O.D. x .750 O.A.L. | 1 |
| 32 | 100521 | PIN - Taper, .156 O.D. x 1.375 O.A.L. | 1 |
| 33 | 100969 | RING - Retaining, .447 I.D. x .037 | 3 |
| 34 | 196397 | BUSHING - Special Flange | 2 |
| 35 | 101938 | RING - Retaining, Bowed | 2 |
| 36 | 001541 | SCREW - 6-32 x 1/4 | 2 |
| 37 | 016298 | BRACKET - Sensor | 1 |

*** Order As Supply Item #670 (2 rolls = 12 yds. or 10.9M each)

Parts Catalog

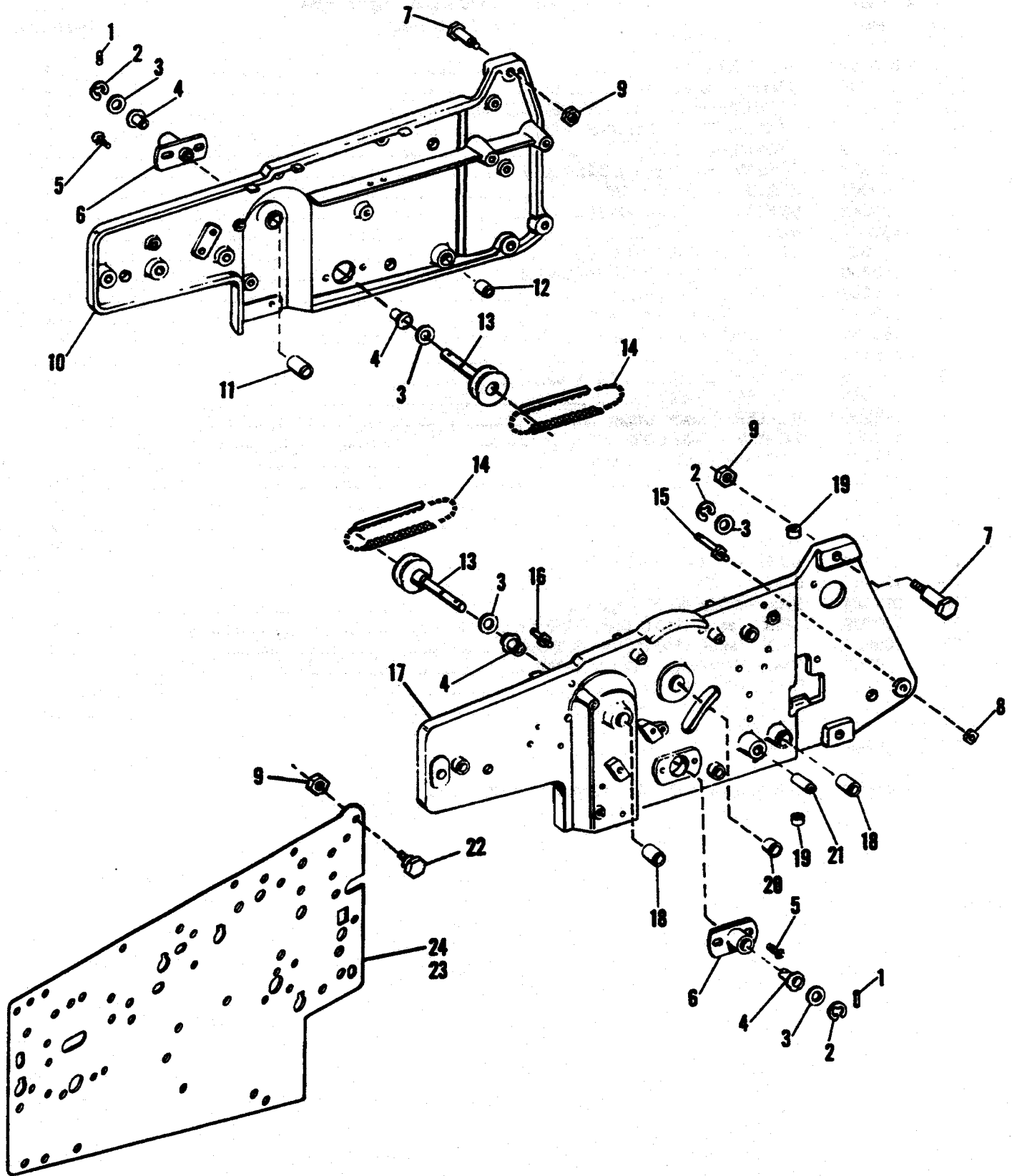


FIGURE 70
MODEL 9815/9850 Frame Assemblies C.D.

Parts Catalog

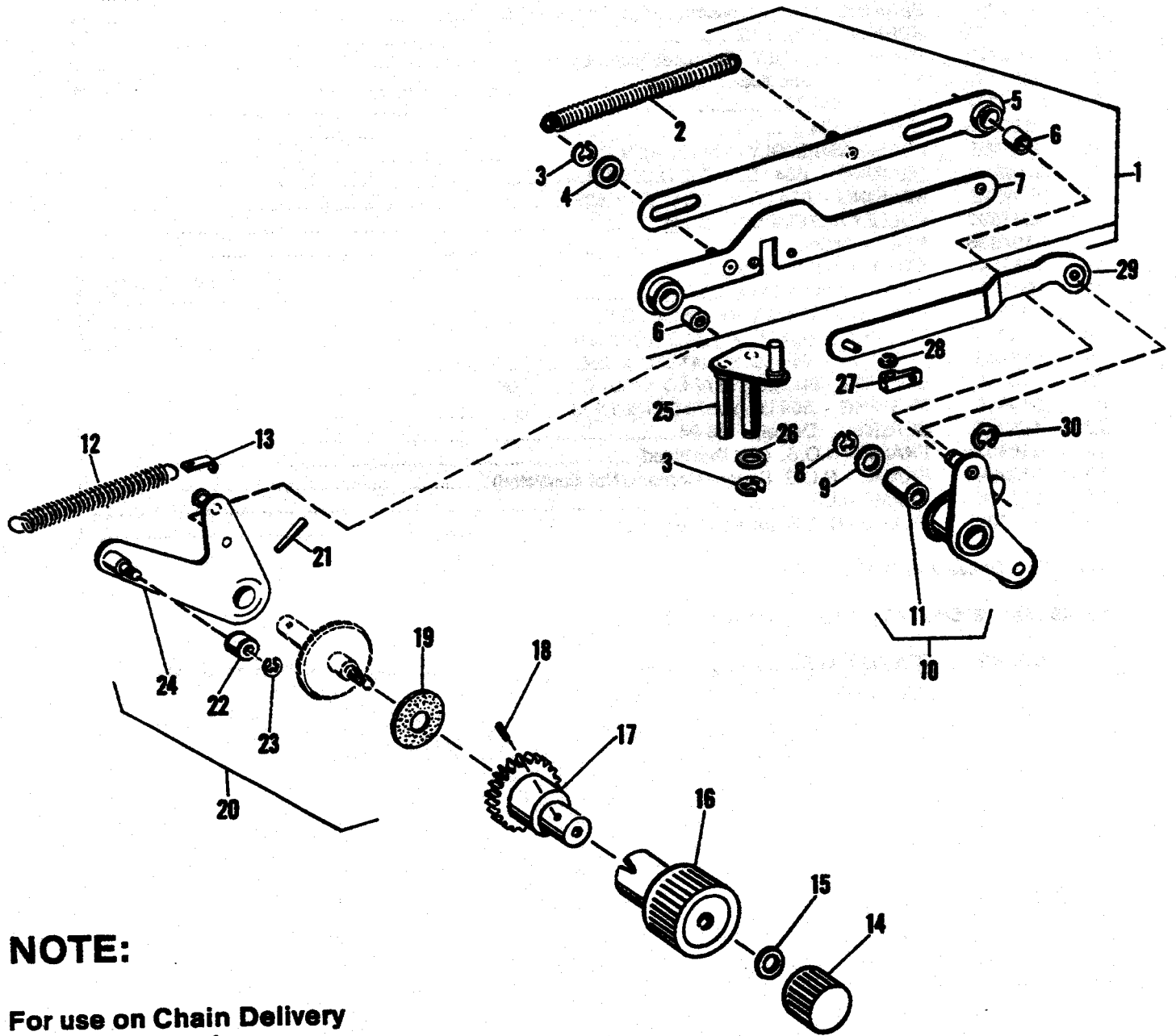
| Index No. | Part No. | MODEL 9805/9850 Figure 70 Description | Units Per Assy. |
|-----------|----------|---|-----------------|
| 1 | >001980 | PIN - Roll, .135 O.D. x .640 O.A.L. | 2 |
| 2 | >001080 | RING - Retaining, .302 I.D. x .037 | 3 |
| 3 | >001721 | WASHER - .380 I.D. x .625 O.D. x .059 | 5 |
| 4 | >066763 | BEARING - Flanged, Nylon, .376 I.D. x .593 O.D. | 4 |
| 5 | >111054 | SCREW - 10-32 x 1/2 | 4 |
| 6 | >073777 | PLATE ASSEMBLY - Sprocket Assembly | 2 |
| 7 | >081788 | SCREW - Shoulder, 3/8-24 | 4 |
| 8 | >150084 | NUT - 1/4-20 | 1 |
| 9 | +150089 | NUT - 3/8-24 | 4 |
| 10 | 017786 | FRAME ASSEMBLY - Aluminum, N.O.S. | 1 |
| 11 | 014647 | BEARING - .634 I.D. x .752 O.D. x 1.000 | 1 |
| 12 | 014648 | BEARING - .634 I.D. x .752 O.D. x .625 | 1 |
| 13 | >017592 | PULLEY ASSEMBLY - Timing | 2 |
| 14 | >194836 | BELT - Timing | 2 |
| 15 | >081541 | STUD - Lever Mounting | 1 |
| 16 | >081542 | STUD - Locking Lever Spring | 1 |
| 17 | 017785 | FRAME ASSEMBLY - Aluminum, O.S. | 1 |
| 18 | 014647 | BEARING - .634 I.D. x .752 O.D. x 1.000 | 2 |
| 19 | 001445 | BUSHING - .316 I.D. x .441 O.D. x .250 | 2 |
| 20 | 014638 | BEARING - Flanged, .377 I.D. x .501 O.D. x .505 | 1 |
| 21 | 014646 | BUSHING - .504 I.D. x .629 O.D. x 1.250 | 1 |
| 22 | 196387 | SCREW - Dowel, 3/8-24 | 4 |
| 23 | 016407 | FRAME - N.O.S. (Not Illustrated) | 1 |
| 23 | 016209 | FRAME - N.O.S. Square Corners (Not Illustrated) | 1 |
| 24 | 016406 | FRAME - O.S. | 1 |
| 24 | 016208 | FRAME - O.S. Square Corners | 1 |

>For Chain Delivery With Aluminum Frames

For 48-dash 9805/50 240V 50Hz. United Kingdom Machines

| | | | |
|----|--------|----------------------------------|---|
| 23 | 018342 | FRAME-N.O.S. United Kingdom | 1 |
|----|--------|----------------------------------|---|

Parts Catalog



NOTE:

For use on Chain Delivery
with aluminum frames.

FIGURE 71
MODEL 9815/9850 Back and Side Jogger Mechanism

Parts Catalog

| Index No. | Part No. | MODEL 9805/9850 Figure 71 Description | Units Per Assy. |
|-----------|----------|---|--------------------|
| 1 | 078466 | LINK ASSEMBLY - Back Jogger | 1 |
| 2 | 081704 | SPRING - 1/2 O.D. x 3-11/32 O.A.L. | 1 |
| 3 | 001095 | RING - Retaining, .245 I.D. x .027 | 3 |
| 4 | 004074 | WASHER - .314 I.D. | 2 |
| 5 | 081561 | LINK - Back jogger | 1 |
| 6 | 001452 | BUSHING - .441 O.D. x .316 I.D. x .375 | 2 |
| 7 | 078467 | LINK - Back Jogger | 1 |
| 8 | 001080 | RING - Retaining, .302 I.D. x .037 | 1 |
| 9 | 001721 | WASHER - .625 O.D. x .380 I.D. x .059 | 1 |
| 10 | 078456 | LEVER ASSEMBLY - Back Jogger | 1 |
| 11 | 001401 | BUSHING - .504 O.D. x .379 I.D. x .750 | 1 |
| 12 | 064587 | SPRING - Tension, .406 O.D. x 3.500 O.A.L. x .054 | 1 |
| 13 | 050508 | ANCHOR - Tension Spring | 1 |
| 14 | 016933 | KNOB - Back Jogger Locking | 1 |
| 15 | 016574 | WASHER - .687 O.D. x .315 I.D. x .047 | 1 |
| 16 | 017582 | KNOB ASSEMBLY - Back Jogger Adjusting | 1 |
| 17 | 017587 | GEAR ASSEMBLY - Jogger Adjusting | 1 |
| 18 | 101063 | PIN - Roll, .162 O.D. x 2.000 | 1 |
| 19 | 081597 | PAD - Friction | 2 |
| 20 | 017588 | LEVER ASSEMBLY - Jogger Adjusting | 1 |
| 21 | 000023 | PIN - Taper, .177 O.D. x .978 | 1 |
| 22 | 054350 | ROLLER - Adjusting Lever | 1 |
| 23 | 001049 | RING - Retaining, .277 I.D. x .027 | 1 |
| 24 | *081594 | LEVER - Jogger Adjusting | 1 |
| 25 | 081583 | PLATE ASSEMBLY - Jogger Drive | 1 |
| 26 | 043106 | WASHER - .437 O.D. x .314 I.D. x .047 | 4 |
| 27 | 078463 | DRIVE BLOCK - Plate Assembly | 1 |
| 28 | 014464 | RING - Retaining, .234 I.D. x .035 | 1 |
| 29 | 078460 | LINK - Plate Assembly, Drive Block | 1 |
| 30 | 001060 | RING - Retaining, .208 I.D. x .027 | 2 |

*Not Procurable Separately

NOTE: All above parts are used for Chain Delivery with Aluminum Frames.

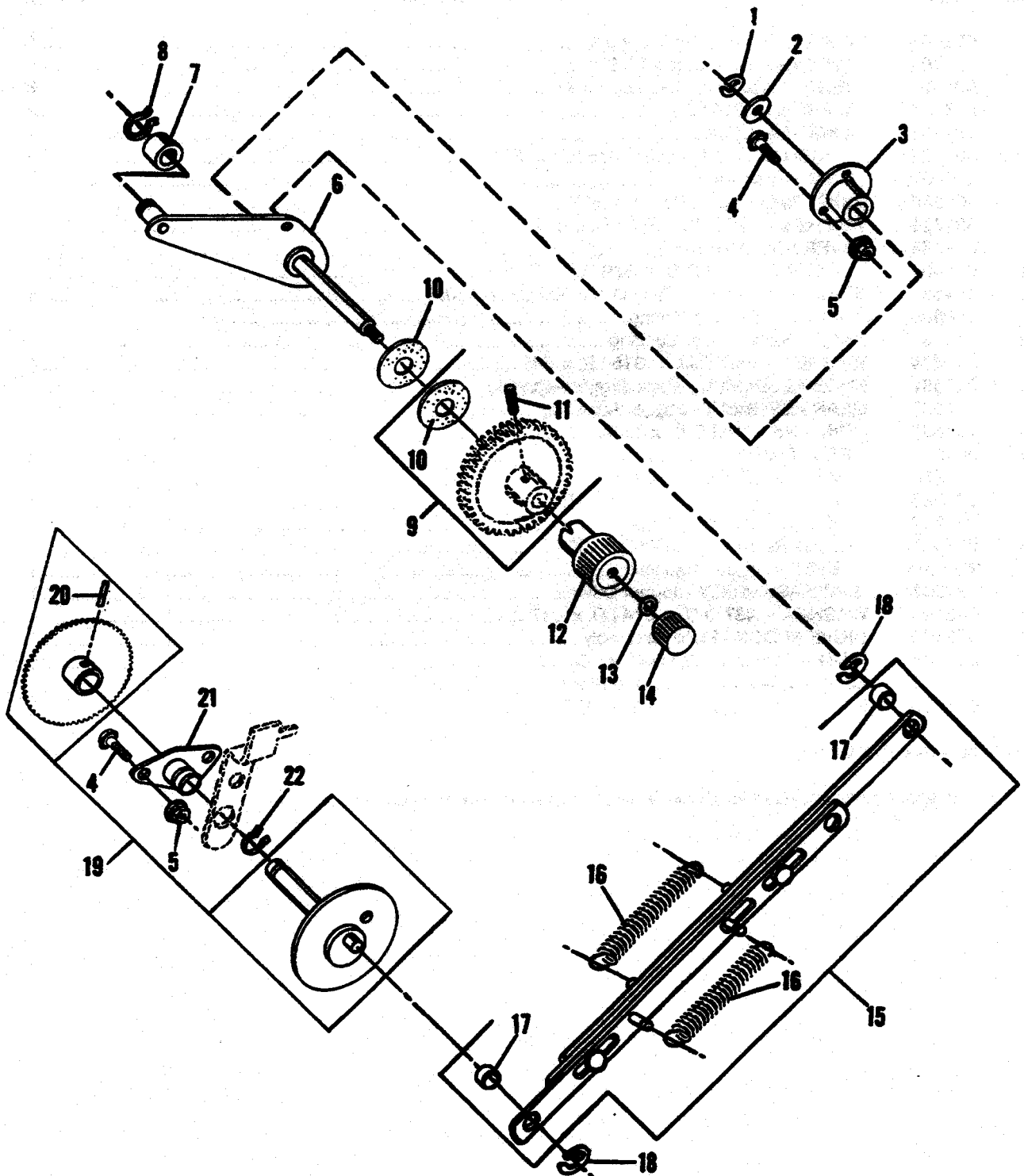


FIGURE 71A
MODEL 9820/9850 (1:1) Back Jogger Mechanism - Part II

Parts Catalog

| | | MODEL 9805/9850 Figure 71A | Units |
|-----------|----------|---|-----------|
| Index No. | Part No. | Description | Per Assy. |
| 1 | 014510 | RING - Retaining, .483 I.D. x .044 | 1 |
| 2 | 081789 | WASHER - Plain, .630 I.D. x 1.000 O.D. x .064 | 1 |
| 3 | 016376 | BEARING - Sprocket Shaft | 1 |
| 4 | 111054 | SCREW - 10-32 x 1/2 | 5 |
| 5 | 150083 | NUT - 10-32 | 5 |
| 6 | 016486 | LEVER ASSEMBLY | 1 |
| 7 | 054350 | ROLLER | 1 |
| 8 | 001049 | RING - Retaining, .277 I.D. x .027 | 1 |
| 9 | 016489 | GEARASSEMBLY | 1 |
| 10 | 081597 | PAD - Friction | 1 |
| 11 | 149319 | PIN - Spiral, 3/16 O.D. x 1/2 O.A.L. | 1 |
| 12 | 017582 | KNOB ASSEMBLY - Back Jogger Adjusting | 1 |
| 13 | 016574 | WASHER - .315 I.D. x .687 O.D. x .047 | 1 |
| 14 | 016933 | KNOB - Back jogger | 1 |
| 15 | 016494 | LINKASSEMBLY - Drive | 1 |
| 16 | 196405 | SPRING - Tension, 15/32 O.D. x 2-7/8 O.A.L. | 2 |
| 17 | 001472 | BUSHING - .315 I.D. x .439 O.D. x .250 | 2 |
| 18 | 001095 | RING - Retaining, .245 I.D. x .027 | 2 |
| 19 | 016472 | CAMCRANKASSEMBLY | 1 |
| 20 | 001956 | PIN - Taper, .157 O.D. x 1.000 O.A.L. | 1 |
| 21 | 016441 | BEARINGASSEMBLY | 1 |
| 22 | 001076 | RING - Retaining, .815 I.D. x .044 | 1 |

Parts Catalog

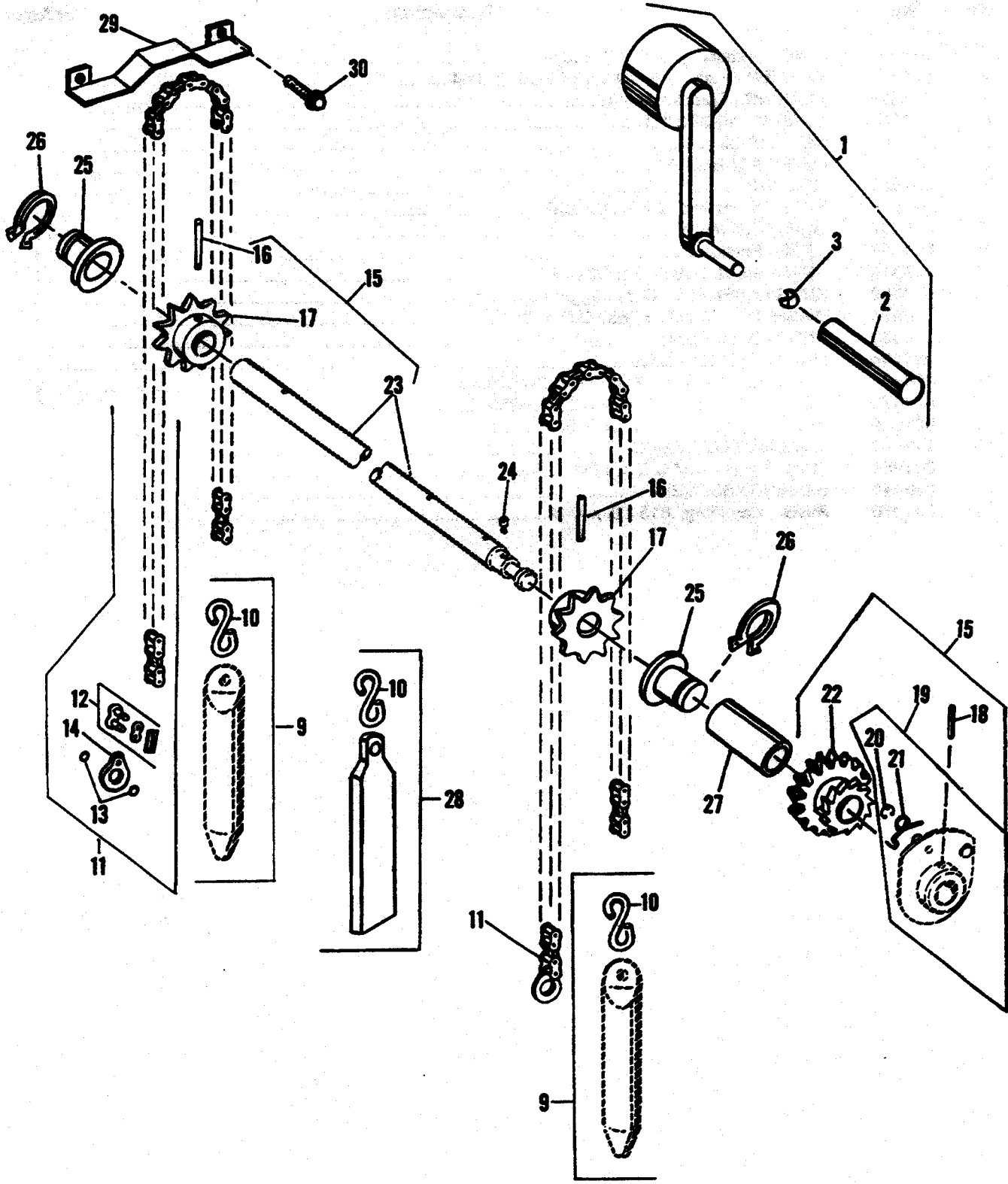


FIGURE 72
MODEL 9815/9850 Dolly Table Crank Assembly

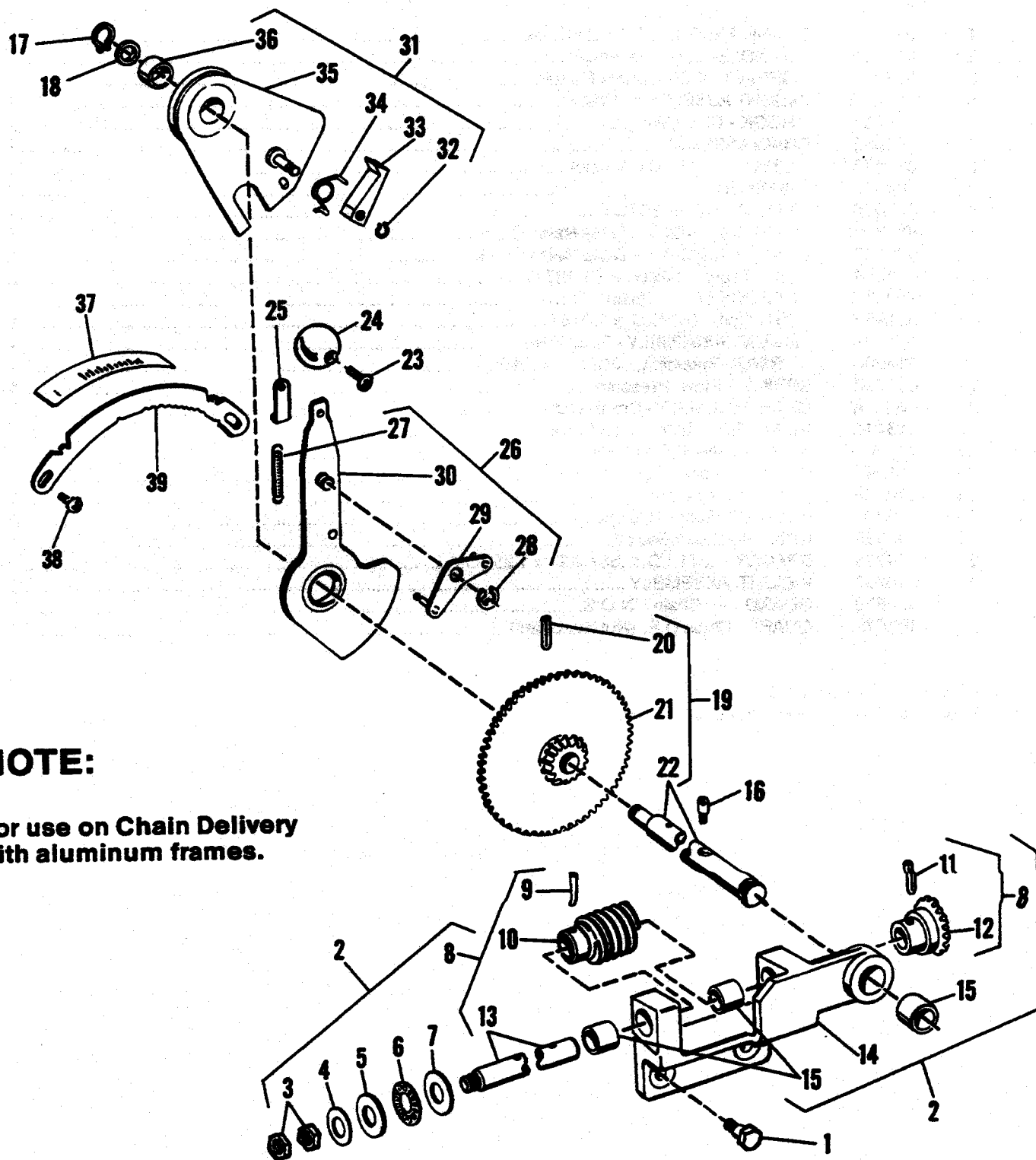
Parts Catalog

| Index No. | Part No. | MODEL 9805/9850 Figure 72 Description | Units Per Assy. |
|-----------|----------|--|-----------------|
| 1 | 017714 | CRANK ASSEMBLY - Table Raise | 1 |
| 2 | 017715 | HANDLE- Crank Assembly | 1 |
| 3 | 003042 | SPRING LOCK - Crank Handle | 1 |
| 9 | >072077 | WEIGHT ASSEMBLY - Chain | 2 |
| 10 | 194835 | HOOK - Chain Weight | 2 |
| 11 | 072035 | CHAINASSEMBLY | 2 |
| 2 | 071576 | LINK - Chain Coupler | 1 |
| 3 | 001054 | WASHER | 2 |
| 4 | 072036 | TABLE CONNECTOR | 1 |
| 15 | >017600 | SHAFT ASSEMBLY - Table Raise Crank | 1 |
| 15 | 016409 | SHAFT ASSEMBLY - Table Raise Crank | 1 |
| 16 | 000014 | PIN - Taper, .146 O.D. x 1.127 O.A.L. | 2 |
| 17 | *081712 | SPROCKET - Chain Drive | 2 |
| 18 | 001983 | PIN - Roll, .167 O.D. x 1.015 O.A.L. | 1 |
| 19 | *081714 | MOUNT ASSEMBLY - Gear Pawl | 1 |
| 20 | 014504 | RING - Retaining, .095 I.D. x .019 | 1 |
| 21 | 081720 | SPRING - Pawl Pressure | 1 |
| 22 | >081709 | GEAR ASSEMBLY - Crank Shaft | 1 |
| 22 | 016412 | GEAR ASSEMBLY - Crank Shaft | 1 |
| 23 | *017599 | SHAFT - Table Raise Crank | 1 |
| 24 | 101281 | PIN - Drive Lock, .250 O.D. x .750 O.A.L. | 1 |
| 24 | >081609 | PIN - Crank Assembly Locking | 1 |
| 25 | 196397 | BUSHING - Special Flange | 2 |
| 26 | 101938 | RING - Retaining, Bowed | 2 |
| 27 | 196396 | SPACER - .521 I.D. x .687 O.D. x 1.252 O.A.L. | 1 |
| 8 | 016399 | WEIGHT ASSEMBLY | 2 |
| 9 | 400579 | GUARD - Chain N.O.S. | 1 |
| 29 | 400578 | GUARD - Chain O.S. (Not Illustrated) | 1 |

*Not Procurable Separately

>For Chain Delivery With Aluminum Frames

Parts Catalog



NOTE:

For use on Chain Delivery
with aluminum frames.

FIGURE 73
MODEL 9815/9850 Table Control

Parts Catalog

| Index No. | Part No. | MODEL 9805/9850 Figure 73 Description | Units Per Assy. |
|-----------|----------|---|--------------------|
| 1 | 081553 | SCREW - Support Mounting, 1/4-28 | 2 |
| 2 | 081543 | SUPPORT AND GEAR ASSEMBLY | 1 |
| 3 | 001845 | NUT - 3/8-24 | 2 |
| 4 | 001771 | WASHER - .875 O.D. x .385 I.D. x .059 | 1 |
| 5 | 081552 | RACE - Gear Shaft Bearing | 1 |
| 6 | 081550 | BEARING - Gear Shaft | 1 |
| 7 | 081551 | RACE - Gear Shaft Bearing | 1 |
| 8 | 081547 | SHAFT ASSEMBLY - Worm Gear | 1 |
| 9 | 001920 | PIN - Taper, .149 O.D. x .750 | 1 |
| 10 | *072636 | GEAR - Worm | 1 |
| 11 | 001981 | PIN - Roll, .199 O.D. x .827 | 1 |
| 12 | *081607 | GEAR - Bevel | 1 |
| 13 | *081548 | SHAFT - Worm Gear | 1 |
| 14 | 081544 | SUPPORT- Worm Gear | 1 |
| 15 | 001432 | BEARING- .629 O.D. x .504 I.D. x .500 | 3 |
| 16 | 081609 | PIN - Handle Lock | 1 |
| 17 | 001047 | RING - Retaining, .340 I.D. x .027 | 1 |
| 18 | 001755 | WASHER - .625 O.D. x .385 I.D. x .047 | 1 |
| 19 | 017598 | SHAFT ASSEMBLY - Table Control Ratchet | 1 |
| 20 | 001978 | PIN - Roll, .135 O.D. x .765 | 1 |
| 21 | *081606 | RATCHET ASSEMBLY - Table Control | 1 |
| 22 | *017597 | SHAFT - Ratchet Crank | 1 |
| 23 | 112652 | SCREW - 8-32 x 9/16 | 1 |
| 24 | 017052 | KNOB - Brown | 1 |
| 25 | 081539 | POINTER - Control Lever | 1 |
| 26 | 081574 | LEVER ASSEMBLY - Table Control | 1 |
| 27 | 021369 | SPRING - Tension, .250 O.D. x 1.062 O.A.L. x .033 | 1 |
| 28 | 001095 | RING - Snap, .245 I.D. x .027 | 1 |
| 29 | 081575 | LEVER - Locking | 1 |
| 30 | 081579 | LEVER - Table Control | 1 |
| 31 | 081565 | MOUNT ASSEMBLY - Ratchet Pawl | 1 |
| 32 | 001049 | RING- Retaining, .227 I.D. x .027 | 1 |
| 33 | 081567 | PAWL - Ratchet Holding | 1 |
| 34 | 081833 | SPRING- Pawl Tension | 1 |
| 35 | 081569 | MOUNT- Ratchet Pawl | 1 |
| 36 | 014639 | BEARING- .629 O.D. x .504 I.D. x .307 | 1 |
| 37 | 081611 | DECAL - Table Adjust | 1 |
| 38 | 111052 | SCREW - 10-32 x 3/8 | 2 |
| 39 | 081604 | RATCHET- Control Lever Holding | 1 |

*Not Procurable Separately

NOTE: All above parts are used for Chain Delivery with Aluminum Frames.

Parts Catalog

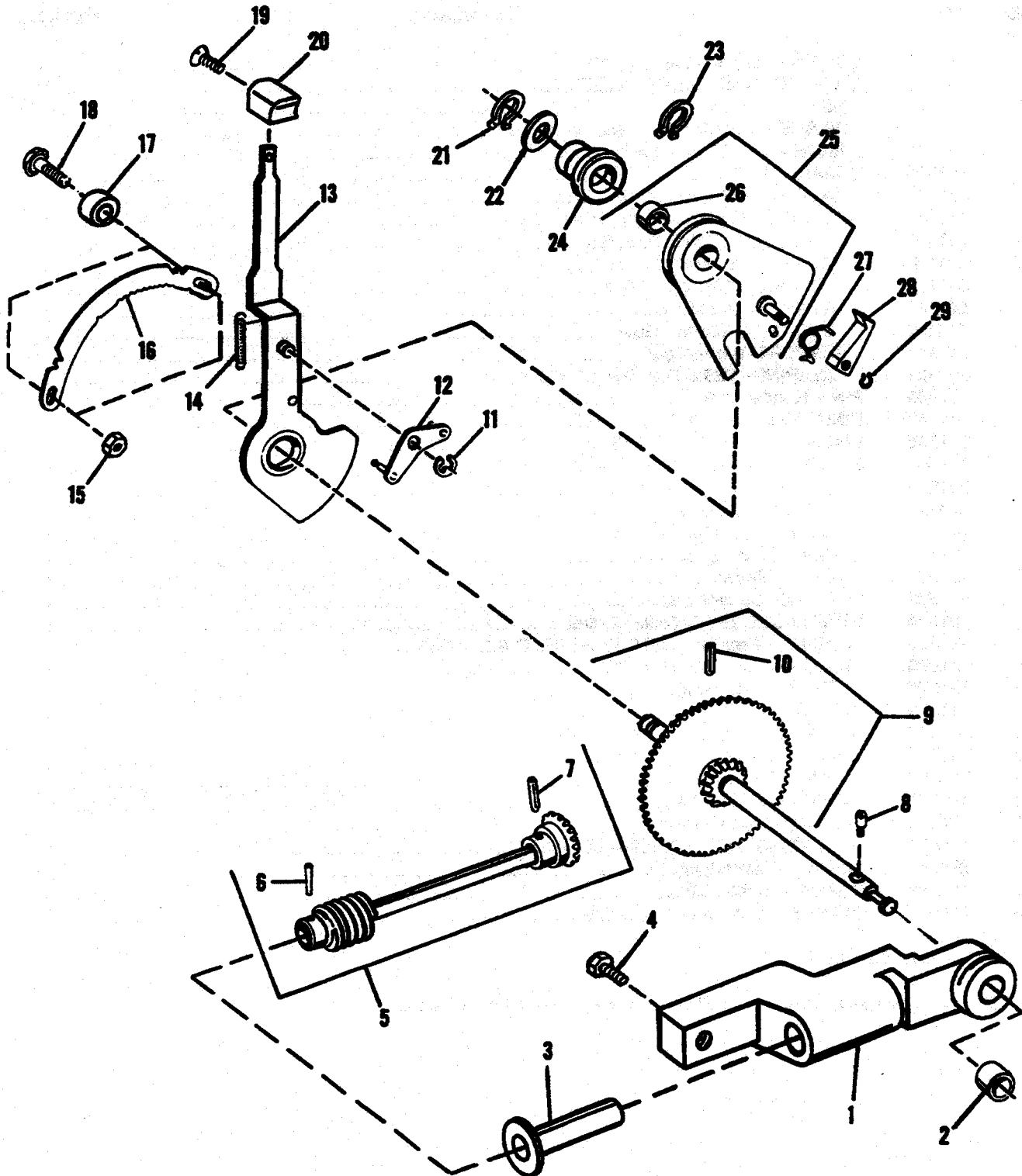
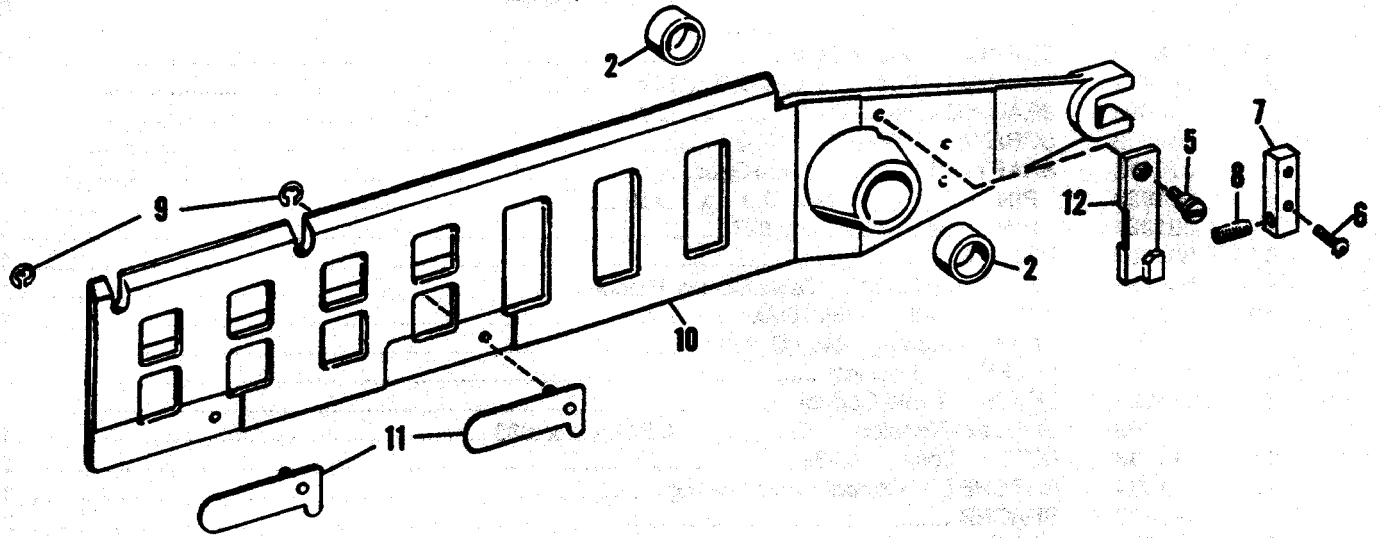


FIGURE 73A
MODEL 9820/9850 (1:1) Table Control

Parts Catalog

| Index No. | Part No. | MODEL 9805/9850 Figure 73A Description | Units Per Assy. |
|-----------|----------|---|-----------------|
| 1 | 016416 | SUPPORT - Worm Gear | 1 |
| 2 | 001432 | BEARING - .504 I.D. x .629 O.D. x .500 | 1 |
| 3 | 196398 | BEARING - Flanged | 1 |
| 4 | 081553 | SCREW - Dowel, 1/4-28 | 2 |
| 5 | 016418 | SHAFT ASSEMBLY - Worm Gear | 1 |
| 6 | 001920 | PIN - Taper, .149 O.D. x .750 | 1 |
| 7 | 001981 | PIN - Roll, .199 O.D. x .827 | 1 |
| 8 | 081609 | PIN - Handle Lock | 1 |
| 9 | 016481 | SHAFT ASSEMBLY - Table Control Ratchet | 1 |
| 10 | 001978 | PIN - Roll, .135 O.D. x .765 | 1 |
| 11 | 001095 | RING - Retaining, .245 I.D. x .027 | 1 |
| 12 | 081575 | LEVER - Locking | 1 |
| 13 | 016521 | LEVER - Table Control | 1 |
| 14 | 021369 | SPRING - Tension, .250 O.D. x 1.062 O.A.L. x .033 | 1 |
| 15 | 014248 | NUT - Lock, 10-32 | 2 |
| 16 | 081604 | RATCHET - Control Lever Holding | 1 |
| 17 | 196403 | SPACER | 2 |
| 18 | 111058 | SCREW - 10-32 x 7/8 | 2 |
| 19 | 001552 | SCREW - 8-32 x 3/8 | 1 |
| 20 | 016921 | KNOB - Brown | 1 |
| 21 | 001047 | RING - Retaining, .340 I.D. x .027 | 1 |
| 22 | 001755 | WASHER - .385 I.D. x .625 O.D. x .047 | 1 |
| 23 | 014461 | RING - Retaining Bowed, .526 I.D. x .037 | 1 |
| 24 | 196402 | BUSHING - Flanged | 1 |
| 25 | 016477 | MOUNT - Ratchet Pawl | 1 |
| 26 | 014639 | BEARING - .504 I.D. x .629 O.D. x .307 | 1 |
| 27 | 081833 | SPRING - Pawl Tension | 1 |
| 28 | 081567 | PAWL - Ratchet Holding | 1 |
| 29 | 001049 | RING - Retaining, .227 I.D. x .027 | 1 |

Parts Catalog



NOTE:

For use on Chain Delivery
with aluminum frames.

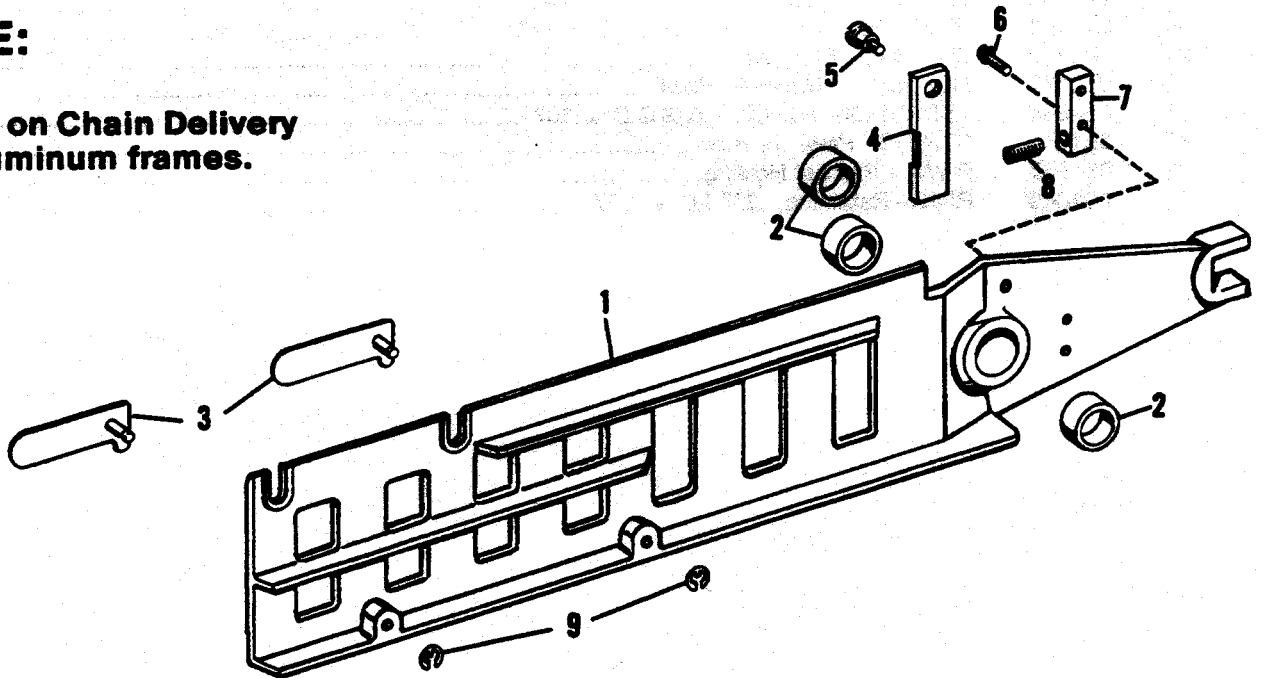


FIGURE 74
MODEL 9815/9850 Paper Guide Assemblies

Parts Catalog

| Index No. | Part No. | MODEL 9805/9850 Figure 74 Description | Units Per Assy. |
|-----------|----------|---|--------------------|
| 1 | 017686 | GUIDE - Paper, O.S. | 1 |
| 2 | 014640 | BUSHING - 1.003 O.D. x .816 I.D. x .312 | 3 |
| 3 | 081851 | PLATE - Guide Extension, O.S. | 2 |
| 4 | 081629 | PRESSURE PAD - jogger Screw, O.S. | 1 |
| 5 | 081631 | SCREW - Shoulder, 10-32 | 2 |
| 6 | 014281 | SCREW - 10-32 x 3/4 | 4 |
| 7 | 081630 | BLOCK - Spring Mounting | 2 |
| 8 | 081632 | SPRING - Compression, .317 O.D. x 1.000 O.A.L. x .051 | 2 |
| 9 | 001060 | RING - Retaining, .208 I.D. x .027 | 4 |
| 10 | 017688 | GUIDE - Paper, N.O.S. | 1 |
| 11 | 081852 | PLATE - Guide Extension, N.O.S. | 2 |
| 12 | 081637 | PRESSURE PAD - Jogger Screw, N.O.S. | 1 |

NOTE: All above parts are used for Chain Delivery with Aluminum Frames.

Parts Catalog

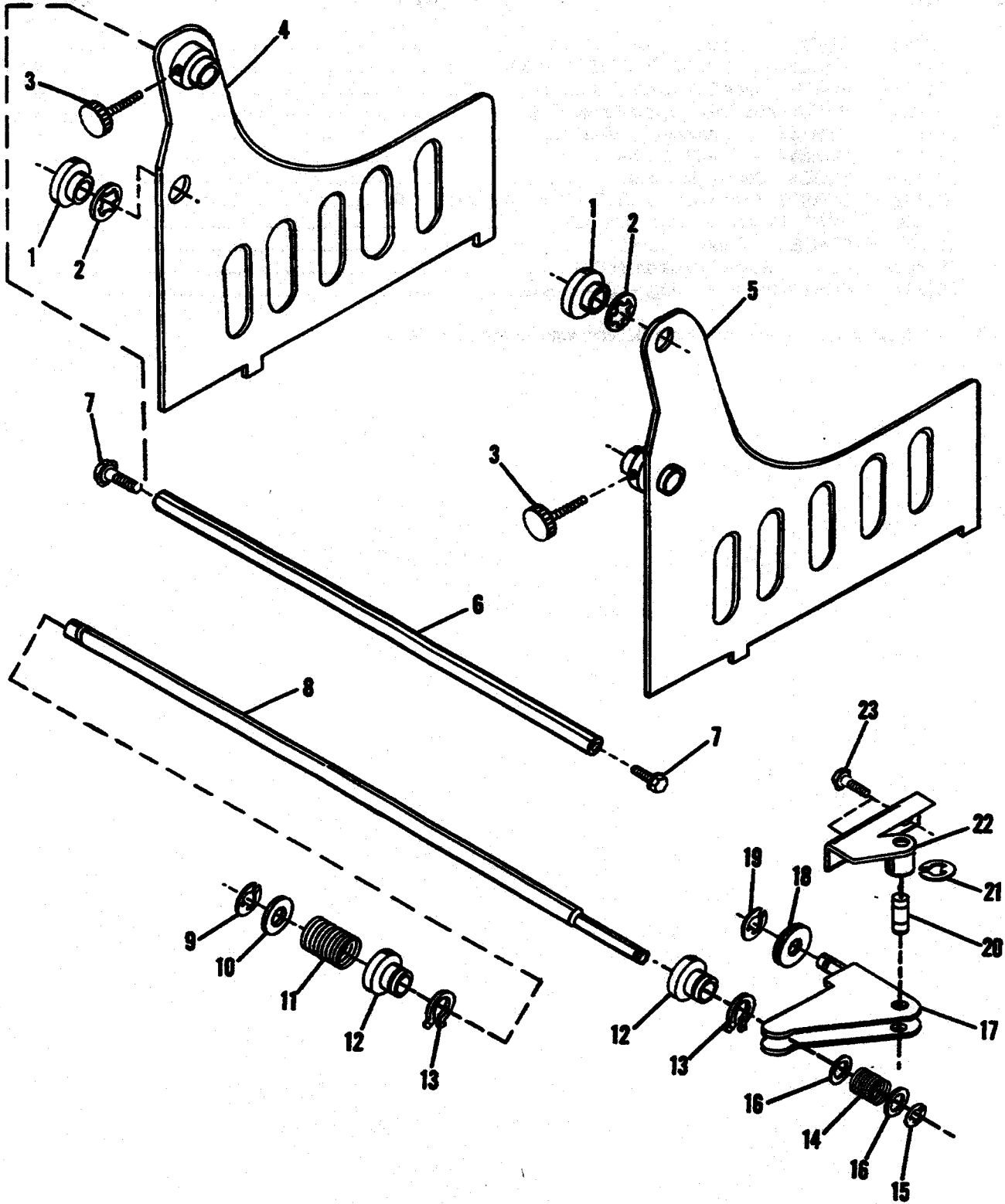
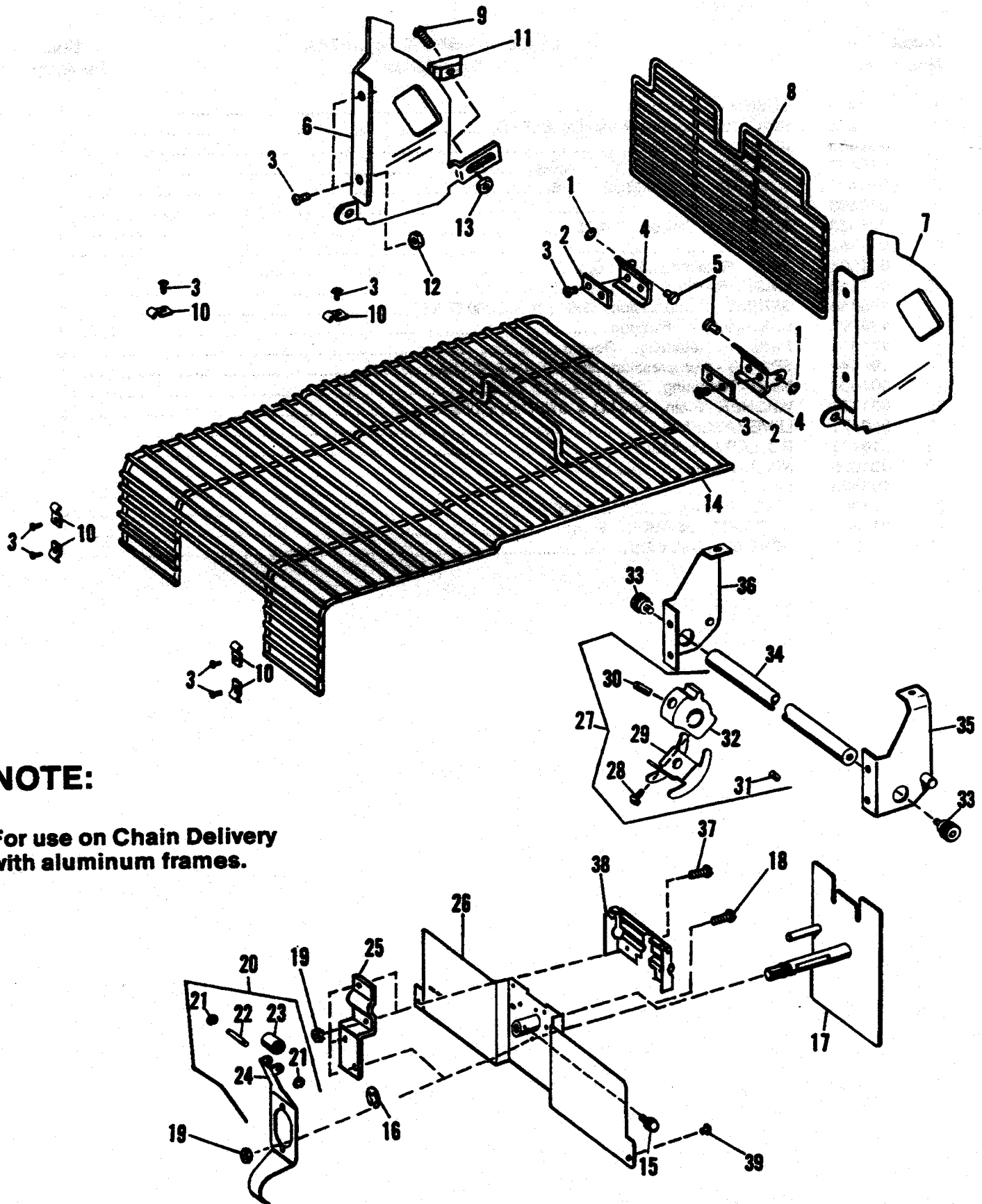


FIGURE 74A
MODEL 9820/9850 (1:1) Paper Guide Assemblies

Parts Catalog

| Index No. | Part No. | MODEL 9805/9850 Figure 74A Description | Units Per Assy. |
|-----------|-------------------|--|-----------------|
| 1 | 195401 | BUSHING - Flanged | 2 |
| 2 | 101023 | RING - Self Locking, Push-On .627 I.D. | 2 |
| 3 | 016450 | KNOB - 1/4-28 | 2 |
| 4 | 016462 | JOGGER ASSEMBLY - N.O.S. | 1 |
| 5 | 016461 | JOGGER ASSEMBLY - O.S. | 1 |
| 6 | 016466 | TIE BAR | 1 |
| 7 | 081553 | SCREW - Dowel, 1/4-28 | 1 |
| 8 | 016452 | SHAFT | 1 |
| 9 | 001094 | RING - Retaining, .394 I.D. x .044 | 1 |
| 10 | 014712 | WASHER - Plain, .515 I.D. x .750 O.D. x .029 | 1 |
| 11 | 196443 | SPRING - Compression, 33/64 I.D. x 2.000 O.A.L. | 1 |
| 12 | 196397 | BUSHING - Flanged | 2 |
| 13 | 101938 | RING - Retaining, Bowed | 2 |
| 14 | 196444 | SPRING - Compression, .382 I.D. x 1-5/32 O.A.L. | 1 |
| 15 | 001080 | RING - Retaining, .302 I.D. x .037 | 1 |
| 16 | 001771 | WASHER - Plain, .385 I.D. x .875 O.D. x .050 | 2 |
| 17 | 016471 | LEVER ASSEMBLY | 1 |
| 18 | 016470 | ROLLER ASSEMBLY | 1 |
| 19 | 001095 | RING - Retaining, .245 I.D. x .027 | 1 |
| 20 | 196453 | SHAFT | 1 |
| 21 | 001060 | RING - Retaining, .208 I.D. x .027 | 2 |
| 22 | 016458 | SUPPORT ASSEMBLY - Pivot | 1 |
| 23 | 111052 | SCREW - 10-32 x 3/8 | 2 |

Parts Catalog



NOTE:

For use on Chain Delivery
with aluminum frames.

FIGURE 75
MODEL 9815/9850 Screen and Back Stop Assemblies

Parts Catalog

| Index No. | Part No. | MODEL 9805/9850 Figure 75 Description | Units Per Assy. |
|-----------|-----------|---|-----------------|
| 1 | 014504 | RING - Retaining, .146 I.D. x .027 | 2 |
| 2 | 007733 | NUT PLATE ASSEMBLY - 10-32 | 2 |
| 3 | 001555 | SCREW - 10-32 x 1/2 | 14 |
| 4 | 076879 | HINGE | 2 |
| 5 | 190304 | PIN - Hinge | 2 |
| 6 | 017684 | BRACKET - Guard Assembly, N.O.S. | 1 |
| 6 | 018517 | BRACKET - Guard Assembly, N.O.S. (9840 B) | 1 |
| 7 | 017683 | BRACKET - Guard Assembly, O.S. | 1 |
| 7 | 018516 | BRACKET - Guard Assembly, O.S. (9840 B) | 1 |
| 8 | 017995 | SCREEN - Small Safety | 1 |
| 9 | 101366 | SCREW - Brass, 6-32 x 7/16 | 2 |
| 10 | 076881 | CLIP - Large Screen Mounting | 10 |
| 11 | 196140 | MAGNET | 1 |
| 12 | 014808 | NUT - 10-32 | 4 |
| 13 | 014812 | NUT - 6-32 | 1 |
| 14 | 007930 | SCREEN ASSEMBLY - Large Safety | 1 |
| 15 | 052187 | SCREW - 10-32 x 7/16 | 1 |
| 16 | 001094 | RING - Retaining, .394 I.D. x .044 | 1 |
| 17 | 017573 | PLATE ASSEMBLY - Paper Stop | 1 |
| 18 | 014187 | SCREW - 6-32 x 3/8 | 6 |
| 19 | 014811 | NUT - 8-32 | 10 |
| 20 | ***017577 | SPRING ASSEMBLY | 1 |
| 21 | 014514 | RING - Retaining, .094 I.D. x .017 | 2 |
| 22 | 081849 | SHAFT - Spring Roller | 1 |
| 23 | 081848 | ROLLER - Positioning Spring | 1 |
| 24 | 017575 | SPRING - Paper Stop | 1 |
| 25 | 017576 | PLATE - Mounting | 2 |
| 26 | 017570 | PLATE ASSEMBLY - Lower | 1 |
| 26 | 018513 | PLATE ASSEMBLY - Lower (9840 B) | 1 |
| 27 | 007941 | COLLAR ASSEMBLY - Roller Guide <i>NO LONGER AVAILABLE</i> | 1 |
| 28 | 001233 | SCREW - 6-32 x 1/4 | 2 |
| 29 | 081850 | PLATE - Roller Guide Collar | 1 |
| 30 | 100367 | SCREW - Set, 1/14-28 x 5/8 | 1 |
| 31 | 014390 | SCREW - Set, 1/14-28 x 1/4 | 1 |
| 32 | 007942 | COLLAR - Roller Guide | 1 |
| 33 | 081677 | SCREW - 5/16-18 x 1/2 | 2 |
| 34 | 007716 | SHAFT - Back Stop Assembly | 1 |
| 35 | 081774 | STOP ASSEMBLY - Screen Assembly, O.S. | 1 |
| 36 | 081776 | STOP ASSEMBLY - Screen Assembly, N.O.S. | 1 |
| 37 | 014369 | SCREW - 8-32 x 3/8 | 4 |
| 38 | 017572 | PLATE - Back Stop, Upper | 1 |
| 38 | 018514 | PLATE - Back Stop, Upper (9840 B) | 1 |
| 39 | 059018 | BUMPER - Rubber | 2 |

***Not Available As An Assembly

Parts Catalog

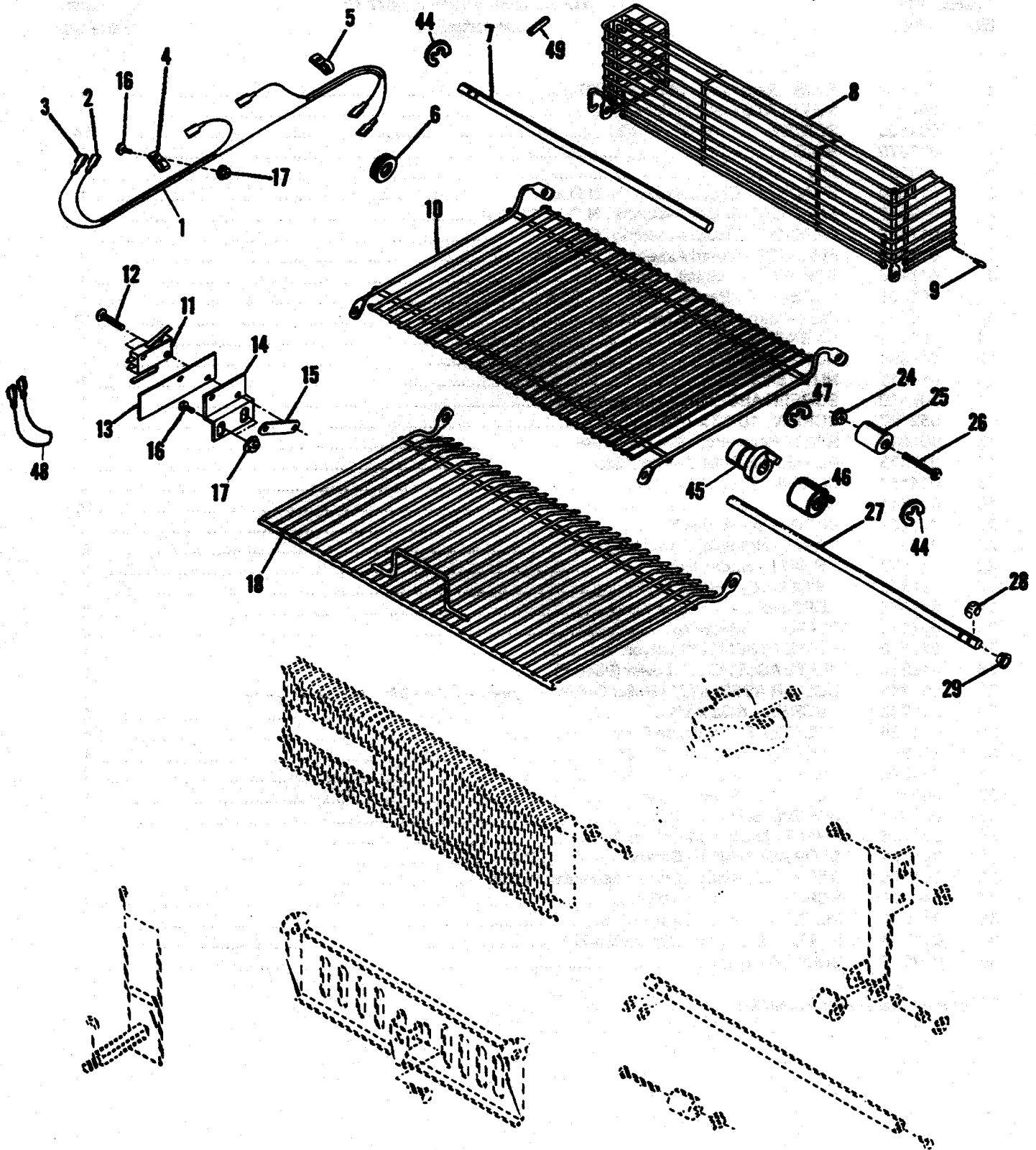


FIGURE 75A
MODEL 9820/9850 (1:1) Safety Screens and Back Stop

Parts Catalog

| Index No. | Part No. | MODEL 9805/9850 Figure 75A Description | Units Per Assy. |
|-----------|----------|--|-----------------|
| 1 | 016749 | HARNES ASSEMBLY - Guard Switches..... | 1 |
| 2 | 250062 | TERMINAL | 6 |
| 3 | 250030 | TUBING - Heat Shrink..... | 6 |
| 4 | 250221 | CLAMP - Cable, .144 x .312 I.D. | 2 |
| 5 | 250204 | CLAMP - Cable, 5/16 I.D. | 1 |
| 6 | 101961 | GROMMET- 3/8 I.D. x 5/8 O.D. x 3/16 | 1 |
| 7 | 016535 | SHAFT - Guard Front | 1 |
| 8 | 016525 | GUARD - Front..... | 1 |
| 9 | 101944 | BUMPER - Vinyl..... | 4 |
| 10 | 016526 | GUARD - Chain Front | 1 |
| 11 | 250137 | SWITCH - 24V. Safety Circuit (9810) | 2 |
| 11 | 252439 | SWITCH - 5V. Safety Circuit | 2 |
| 12 | 111006 | SCREW - 4-40 x 9/16 | 4 |
| 13 | 006917 | INSULATION - Switch | 2 |
| 14 | 016536 | BRACKET - Switch | 2 |
| 15 | 190555 | PLATE - Nut 4-40 | 2 |
| 16 | 111035 | SCREW - 8-32 x 7/16 | 4 |
| 17 | 150081 | NUT - 8-32 | 6 |
| 18 | 016527 | GUARD - Chain, Rear..... | 1 |
| 24 | 150083 | NUT - 10-32 | 11 |
| 25 | 196454 | SPACER- Guard Stop | 6 |
| 26 | 100366 | SCREW - Flat Head, 10-32 x 1-1/4 | 1 |
| 26 | 111060 | SCREW - 10-32 x 1-1/8 | 5 |
| 27 | 016534 | SHAFT - Guard, Chain | 1 |
| 28 | 014504 | RING - Retaining, .146 I.D. x .335 O.D. x .027 | 6 |
| 29 | 100539 | BUSHING- Flanged, Nylon .187 I.D. x .250 O.D. x .078 | 8 |

For 48-dash 9805/50 240V 50Hz. United Kingdom Machines

| | | | | |
|----|--------|---|----------------------|---|
| 1 | 018341 | HARNESASSEMBLY | United Kingdom | 1 |
| 7 | 192731 | SHAFT | United Kingdom | 1 |
| 8 | 018325 | GUARD | United Kingdom | 1 |
| 10 | 018328 | GUARD | United Kingdom | 1 |
| 11 | 253211 | SWITCH | United Kingdom | 2 |
| 12 | 101983 | SCREW - 6-32 x 1-5/8 | United Kingdom | 2 |
| 13 | 010342 | INSULATION - Switch | United Kingdom | 2 |
| 15 | 190731 | PLATE - Nut, 6-32 | United Kingdom | 1 |
| 18 | 018328 | GUARD | United Kingdom | 1 |
| 27 | 018334 | SHAFT-Hex | United Kingdom | 1 |
| 29 | 018329 | BUSHING - Hex | United Kingdom | 1 |
| 44 | 001060 | RING - Retaining .208 I.D. x .027 | United Kingdom | 2 |
| 45 | 018331 | CAM SLEEVE ASSEMBLY | United Kingdom | 1 |
| 46 | 018340 | ADAPTER ASSEMBLY | United Kingdom | 1 |
| 47 | 001073 | RING - Retaining, .577 I.D. | United Kingdom | 1 |
| 48 | 196635 | WIRE ASSEMBLY | United Kingdom | 1 |
| 49 | 001974 | PIN - Roll, 3/32 x 7/16 | United Kingdom | 1 |

Parts Catalog

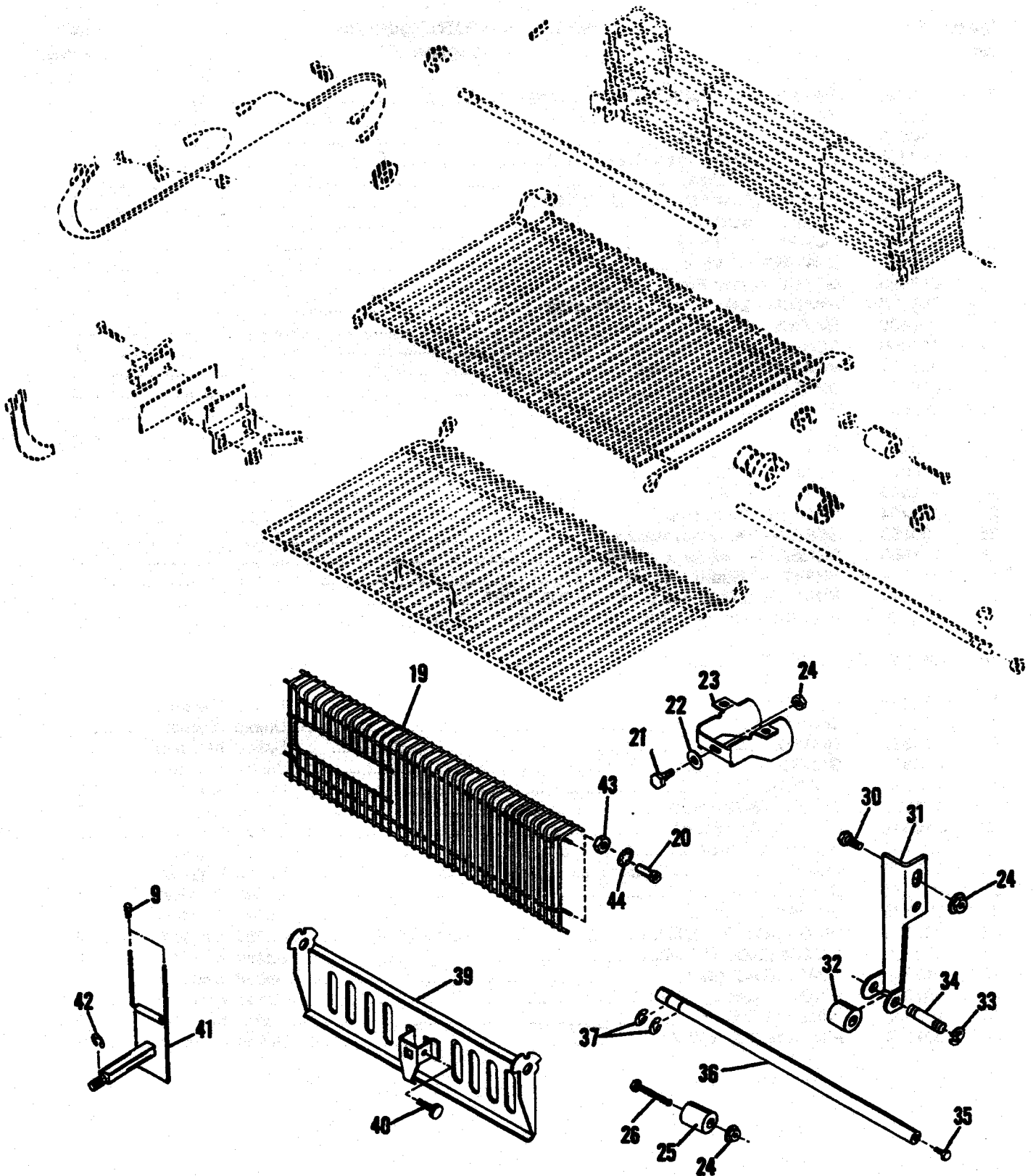


FIGURE 75B
MODEL 9820/9850 (1:1) Safety Screens and Back Stop

Parts Catalog

| Index No. | Part No. | MODEL 9805/9850 Figure 75B Description | Units Per Assy. |
|-----------|-------------------|---|-----------------|
| 9 | 101944 | BUMPER - Vinyl | 4 |
| 19 | 016528 | GUARD - Rear | 1 |
| 20 | 016533 | BUSHING - Threaded, 10-32 | 4 |
| 21 | 111055 | SCREW - 10-32 x 9/16 | 1 |
| 22 | 016572 | WASHER - Flat, 1/4 I.D. x 7/8 O.D. x .059 | 1 |
| 23 | 016469 | DEFLECTOR | 1 |
| 24 | 150083 | NUT - 10-32 | 11 |
| 25 | 196454 | SPACER - Guard Stop | 6 |
| 26 | 100366 | SCREW - Flat Head, 10-32 x 1-1/4 | 1 |
| 26 | 111060 | SCREW - 10-32 x 1-1/8 | 5 |
| 30 | 111052 | SCREW - 10-32 x 3/8 | 4 |
| 31 | 016480 | ARM - Spring, O.S. <i>016480</i> | 1 |
| 31 | 016545 | ARM - Spring, N.O.S. (Not Illustrated) <i>016545</i> | 1 |
| 32 | 196449 | SPACER | 2 |
| 33 | 014514 | RING - Retaining, .094 I.D. x .270 O.D. x .017 | 4 |
| 34 | 196450 | SHAFT | 2 |
| 35 | 081553 | SCREW - Dowel, 1/4-28 | 2 |
| 36 | 016466 | ROD - Tie | 1 |
| 37 | 100969 | RING - Retaining, .447 I.D. x .581 O.D. x .037 | 2 |
| 39 | 016365 | DOORASSEMBLY | 1 |
| 40 | 016450 | KNOB - 1/4-28 | 1 |
| 41 | 016584 | STOP ASSEMBLY - Paper | 1 |
| 42 | 001080 | RING - Retaining, .302 I.D. x .660 O.D. x .037 | 1 |
| 43 | 001812 | NUT - 10-32 | 4 |
| 44 | 001715 | WASHER - Lock 10 | 4 |

Parts Catalog

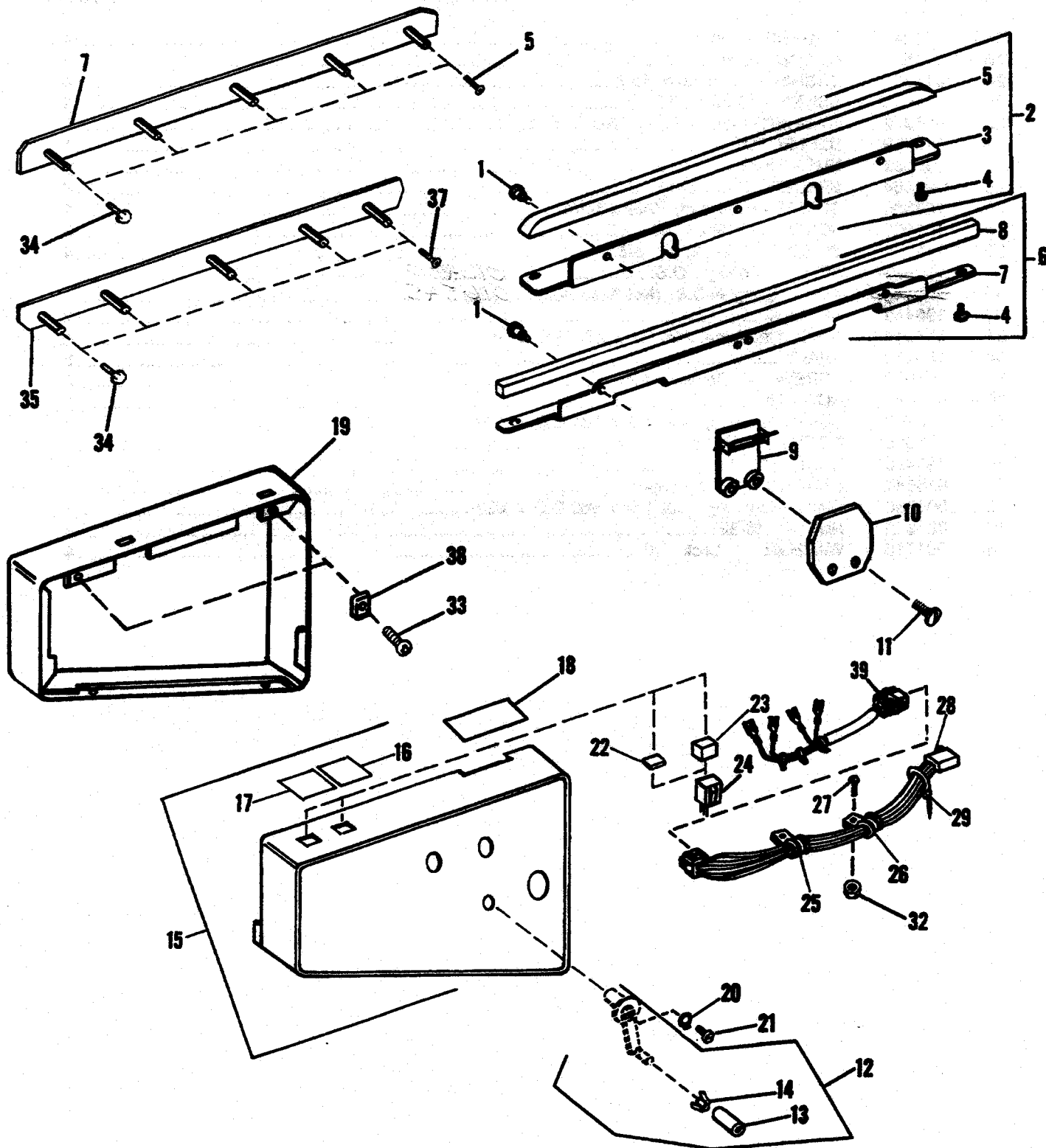


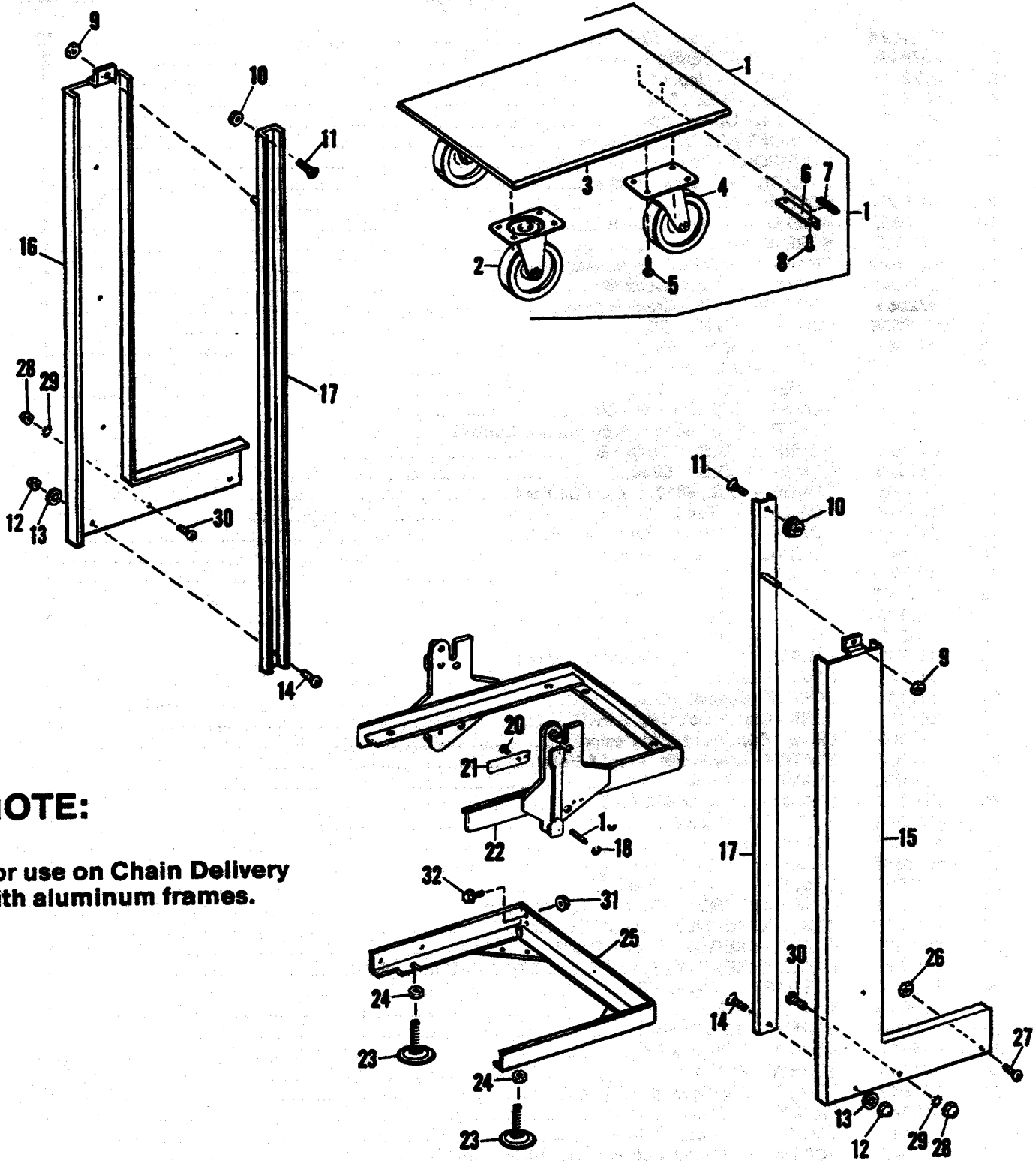
FIGURE 76
MODEL 9815/9850 Covers (C.D.) and Chain Support

Parts Catalog

| Index No. | Part No. | MODEL 9805/9850 Figure 76 Description | Units Per Assy. |
|-----------|----------|--|-----------------|
| 1 | >081824 | SCREW - Shoulder, 10-32 x 5/16 | 12 |
| 2 | >078499 | SUPPORT ASSEMBLY - Upper | 2 |
| 3 | >078479 | SUPPORT - Upper Chain Track | 2 |
| 4 | >014337 | SCREW - 6-32 x 5/16 | 8 |
| 5 | >081822 | TRACK - Upper Chain | 2 |
| 6 | >078497 | SUPPORT ASSEMBLY - Lower | 2 |
| 7 | >078498 | SUPPORT - Lower Chain Track | 2 |
| 8 | >078449 | TRACK - Lower Chain | 2 |
| 9 | >076864 | SWITCH - Reed | 1 |
| 10 | >007932 | SHIELD - Reed Switch | 1 |
| 11 | 120033 | SCREW - 10-16 x 1/2 | 1 |
| 12 | >017029 | CRANK ASSEMBLY - Guide Adjusting | 2 |
| 13 | 017593 | HANDLE- Crank Assembly | 1 |
| 14 | 072052 | SPRING LOCK - Crank Handle | 1 |
| 15 | >016909 | COVER - O.S., CD | 1 |
| 15 | 016587 | COVER - O.S., 9820 | 1 |
| 15 | >017580 | COVER - O.S., QPC & PRO | 1 |
| 15 | >018507 | COVER - O.S., 9840 B | 1 |
| 15 | 016588 | COVER - O.S., 9840 & 9850 | 1 |
| 15 | 087705 | COVER - O.S., 9840 & 9850, Square Corners | 1 |
| 15 | 016591 | COVER - O.S., 9840 B | 1 |
| 15 | 016586 | COVER - O.S., 9810 | 1 |
| 15 | 087703 | COVER - O.S., 9810, Square Corners | 1 |
| 16 | 017018 | DECAL - Feed, On/Off | 1 |
| 17 | 017017 | DECAL - Proof, QPC & PRO | 1 |
| 18 | 016546 | DECAL - Table Raise | 1 |
| 19 | >017558 | COVER - N.O.S. | 1 |
| 19 | >018508 | COVER - N.O.S., 9840 B | 1 |
| 19 | 016585 | COVER - N.O.S. 9810, 9820, 9840 & 9850 | 1 |
| 19 | 016590 | COVER - N.O.S. 9840 B | 1 |
| 19 | 087702 | COVER - N.O.S., Square Corners | 1 |
| 20 | 039642 | RING - Plastic | 2 |
| 21 | 196244 | SCREW - Special, 10-32 x 1.000 | 2 |
| 22 | 253031 | LENS - Cap, Proof, QPC & PRO | 2 |
| 23 | 252993 | LENS - Cap, Feed (Old Design) | 1 |
| 24 | 253002 | SWITCH - Low Profile, Proof & Feed | 2 |
| 25 | >250202 | CLAMP - Cable, CO | 2 |
| 26 | 250205 | CLAMP - Cable, QPC & PRO | 4 |
| 27 | >014369 | SCREW - 8-32 x 3/8 | 2 |
| 27 | 111035 | SCREW - 8-32 x 7/16 | 4 |
| 28 | >017865 | CABLE ASSEMBLY - Feed, CD | 1 |
| 28 | 016746 | CABLE ASSEMBLY - Feed, CD | 1 |
| 28 | 016696 | CABLE ASSEMBLY - Feed, CD (New Style) | 1 |
| 28 | >017016 | CABLE ASSEMBLY - Feed & Proof, QPC & PRO | 1 |
| 28 | 016747 | CABLE ASSEMBLY - Feed & Proof, QPC & PRO | 1 |
| 28 | 016695 | CABLE ASSEMBLY - Feed & Proof, QPC & PRO (New Style) | 1 |
| 29 | 250077 | STRAP - Cable Tie | 7 |
| 32 | 150081 | NUT - 8-32 | 4 |
| 33 | >114281 | SCREW - 10-32 x 3/4 | 6 |
| 33 | 014311 | SCREW - 8-15 x 5/8 | 9 |
| 33 | 101145 | SCREW - 10-12 x 3/4 | 9 |
| 34 | 101941 | SCREW - Self-Tapping, 10-16 x 3/4 | 16 |
| 35 | 016446 | TRACK - Chain, Lower | 1 |
| 36 | 016445 | TRACK - Chain, Upper | 1 |
| 37 | 101942 | SCREW - Flat Head, Self-Tapping, 10-16 x 3/4 | 4 |
| 38 | >001884 | NUT - Speed, #8 | 4 |
| 38 | 101144 | NUT - Speed, #10 | 4 |
| 39 | 016699 | HARNES ASSEMBLY- Feed, 9820 (Cover) | 1 |
| 39 | 025659 | HARNES ASSEMBLY- Feed & Proof, 9840/50/60 (Cover) | 1 |

>For Chain Delivery With Aluminum Frames

Parts Catalog



NOTE:

For use on Chain Delivery with aluminum frames.

FIGURE 77
MODEL 9815/9850 Dolly, Table and Frame Assemblies

Parts Catalog

| Index No. | Part No. | MODEL 9805/9850 Figure 77 Description | Units Per Assy. |
|-----------|----------|---|-----------------|
| 1 | 009570 | DOLLY ASSEMBLY | 1 |
| 2 | 081515 | CASTER - Dolly (Swivel) | 2 |
| 3 | 009571 | BASE - Dolly | 1 |
| 4 | 081516 | CASTER - Dolly | 2 |
| 5 | 101901 | SCREW - 1/4-14 x 3/4 | 16 |
| 6 | 101899 | BRACKET - Mounting Catch | 1 |
| 7 | 100523 | CATCH - Magnetic | 1 |
| 8 | 101900 | SCREW - 5-20 x 3/8 | 2 |
| 9 | 100871 | NUT - 1/4-20 | 2 |
| 10 | 014807 | NUT - 1/4-28 | 2 |
| 11 | 100586 | SCREW - 1/4-28 x 1.000 | 2 |
| 12 | 100587 | NUT - 1/4-28 | 2 |
| 13 | 001714 | WASHER - Lock, .472 O.D. x .250 I.D. x .025 | 2 |
| 14 | 100585 | SCREW - 1/4-28 x 3/4 | 2 |
| 15 | 017564 | GUARD - Chain Lift, O.S. | 1 |
| 15 | 018510 | GUARD - Chain Lift, O.S. (9840 B) | 1 |
| 16 | 017565 | GUARD - Chain Lift, N.O.S. | 1 |
| 16 | 018511 | GUARD - Chain Lift, N.O.S. (9840 B) | 1 |
| 17 | 017694 | GUIDE - Table Raise | 2 |
| 18 | 001060 | RING - Retaining, .208 I.D. x .027 | 1 |
| 19 | 190300 | PIN - Table Guide | 1 |
| 20 | 001691 | SCREW - 10-32 x 1/4 | 2 |
| 21 | 081841 | SPRING - Guide Pin Pressure | 2 |
| 22 | 017689 | TABLE ASSEMBLY - Dolly Mounting | 1 |
| 22 | 018515 | TABLE ASSEMBLY - Dolly Mounting (9840 B) | 1 |
| 23 | 017542 | GLIDER - Base Frame | 2 |
| 24 | 001845 | NUT - 3/8-24 | 4 |
| 25 | 008114 | FRAME ASSEMBLY | 1 |
| 26 | 014811 | NUT - 8-32 | 4 |
| 27 | 001202 | SCREW - 8-32 x 3/4 | 4 |
| 28 | 100107 | NUT - Cap, 10-32 | 2 |
| 29 | 001706 | WASHER - Lock, .199 I.D. x .400 O.D. x .022 | 2 |
| 30 | 100593 | SCREW - 10-32 x 9/16 | 2 |
| 31 | 150087 | NUT - 5/16-24 | 4 |
| 32 | 111091 | SCREW - 5/16-24 x 7/8 | 4 |

NOTE: All above parts are used for Chain Delivery with Aluminum Frames.

Parts Catalog

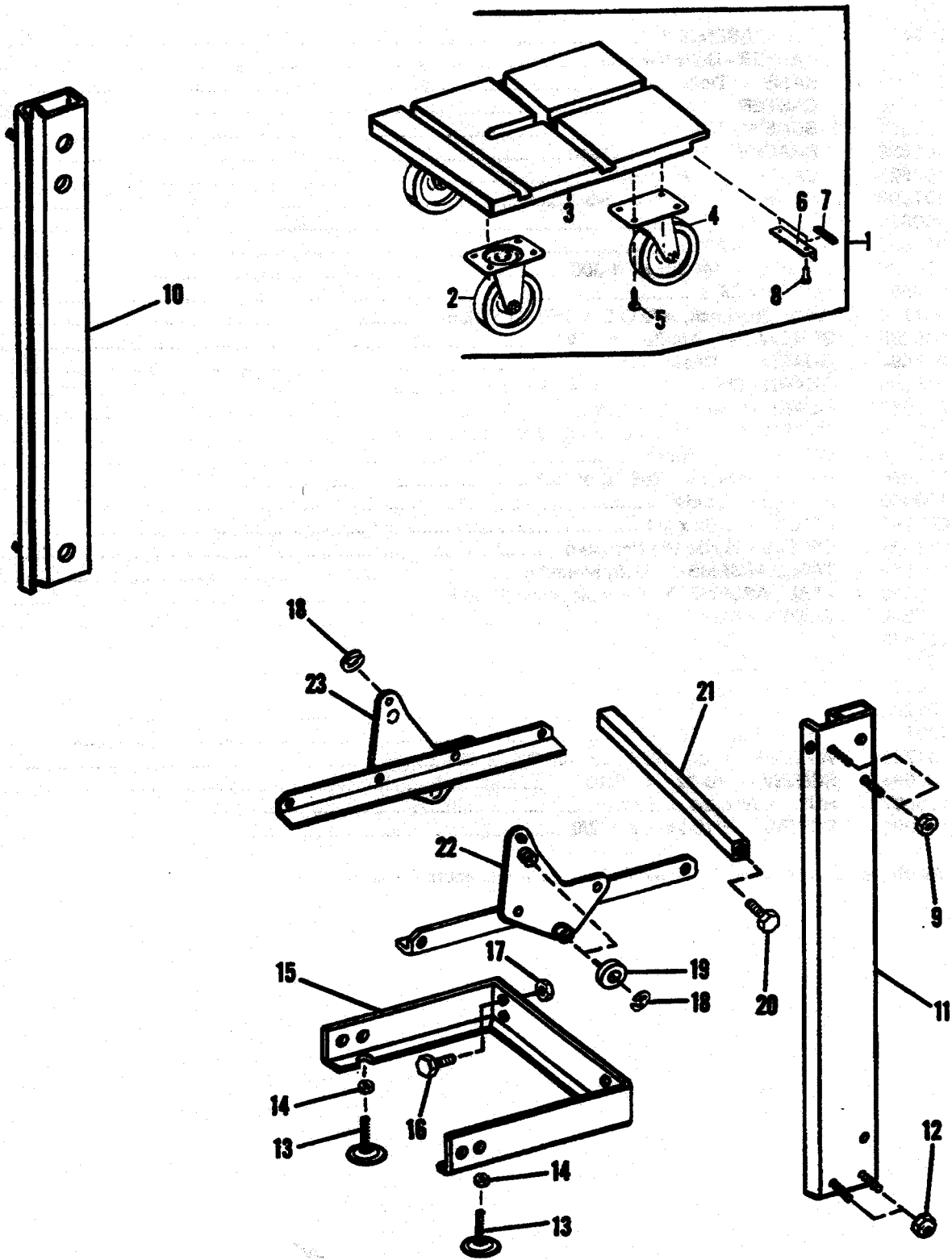


FIGURE 77A
MODEL 9820/9850 (1:1) Dolly, Table and Frame Assemblies

Parts Catalog

| Index No. | Part No. | MODEL 9805/9850 Figure 77A Description | Units Per Assy. |
|-----------|----------|---|-----------------|
| 1 | 016389 | DOLLY ASSEMBLY | 1 |
| 2 | 081515 | CASTER - Dolly, Swivel | 2 |
| 3 | 016390 | BASE - Dolly | 1 |
| 4 | 081516 | CASTER - Dolly, Fixed | 2 |
| 5 | 101901 | SCREW - 1/4-14 x 3/4 | 16 |
| 6 | 101899 | BRACKET - Mounting Catch | 1 |
| 7 | 100523 | CATCH - Magnetic | 1 |
| 8 | 101900 | SCREW - 5-20 x 3/8 | 2 |
| 9 | 100871 | NUT - 1/4-20 | 4 |
| 10 | 016438 | CARRIER ASSEMBLY - N.O.S. | 1 |
| 10 | 018441 | CARRIER ASSEMBLY - N.O.S. (9840 B) | 1 |
| 11 | 016437 | CARRIER ASSEMBLY - O.S. | 1 |
| 11 | 018440 | CARRIER ASSEMBLY - O.S. (9840 B) | 1 |
| 12 | 101943 | NUT - Acorn, 1/4-20 | 4 |
| 13 | 017542 | GLIDER - Yoke | 2 |
| 14 | 001845 | NUT - 3/8-24 | 2 |
| 15 | 016547 | YOKE - C D | 1 |
| 15 | 018437 | YOKE - C.D. (9840 B) | 1 |
| 16 | 111091 | SCREW - 5/16-24 x 3/4 | 4 |
| 17 | 150087 | NUT - 5/16-24 | 4 |
| 18 | 001060 | RING - Retaining, .208 I.D. x .027 | 6 |
| 19 | 196390 | ROLLER - Nylon | 4 |
| 20 | 111073 | SCREW - 1/4-28 x 5/8 | 2 |
| 21 | 016405 | ROD - Carrier | 1 |
| 21 | 016642 | ROD - Carrier (9840 B) | 1 |
| 22 | 016401 | FRAME ASSEMBLY - Carrier, O.S. | 1 |
| 22 | 018438 | FRAME ASSEMBLY - Carrier, O.S. (9840 B) | 1 |
| 23 | 016402 | FRAME ASSEMBLY - Carrier, N.O.S. | 1 |
| 23 | 018439 | FRAME ASSEMBLY - Carrier, N.O.S. (9840 B) | 1 |

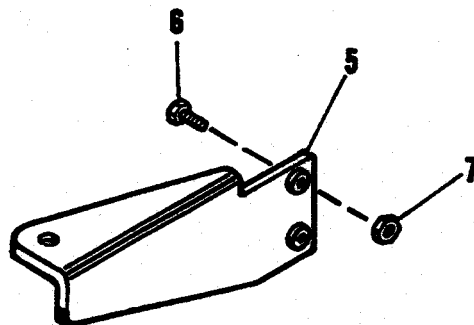
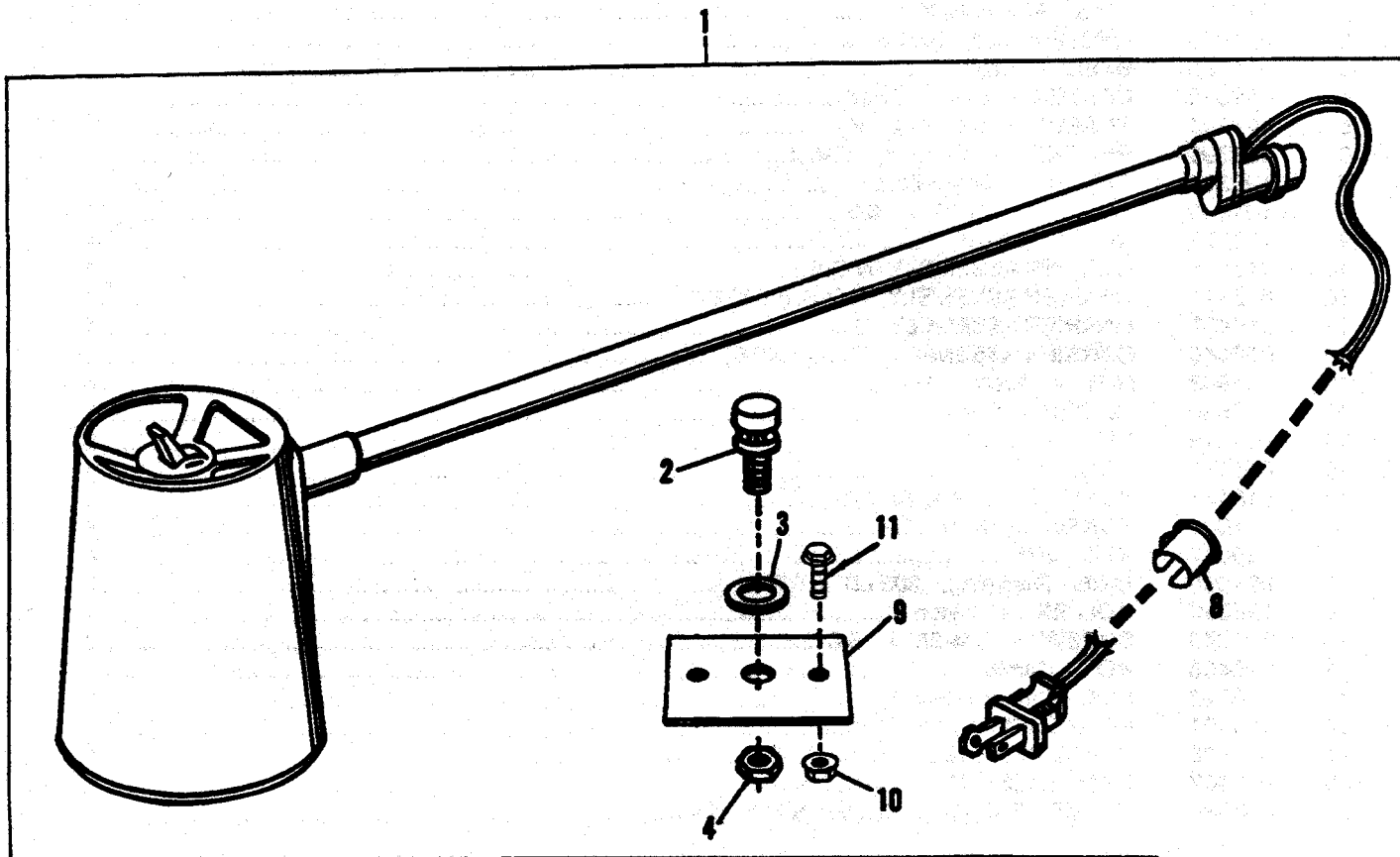


FIGURE 78
MODEL 9815/9850 Worklight Assembly

Parts Catalog

| Index No. | Part No. | MODEL 9805/9850 Figure 78 Description | Units Per Assy. |
|--|----------|--|-----------------|
| 1 | *** | WORKLIGHT ASSEMBLY - Flexible, 115 V. | 1 |
| 2 | 101921 | POST - 3/8 - 16 | 1 |
| 3 | 190699 | WASHER - .390 I.D. x 1.250 O.D. x .097 | 1 |
| 4 | 101922 | NUT - 3/8-16 | 1 |
| 5 | >017818 | BRACKET - Lamp, CD, QPC & PRO | 1 |
| 5 | 017137 | BRACKET - Lamp, TD & QP | 1 |
| 6 | 111071 | SCREW - 1/4-28 x 1/2, CD, QPC & PRO | 2 |
| 6 | 195296 | SCREW - 1/4-28 x 3/4, TD & QP | 2 |
| 7 | 150085 | NUT - 1/4-28 | 2 |
| 8 | 251520 | BUSHING - Plastic, 1/2 O.D. | 1 |
| 9 | 016568 | PLATE - Reinforcement | 1 |
| 10 | 014808 | NUT - 10-32 | 2 |
| 11 | 001220 | SCREW - 10-32 x 3/8 | 2 |
| ***Order as Product Number 1-3582 | | | 1 |
| >For Chain Delivery With Aluminum Frames | | | |

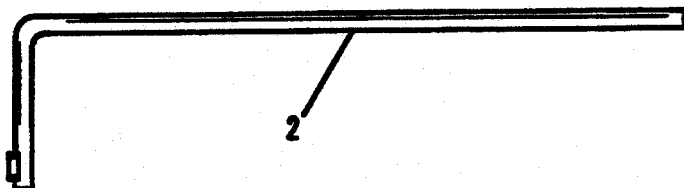
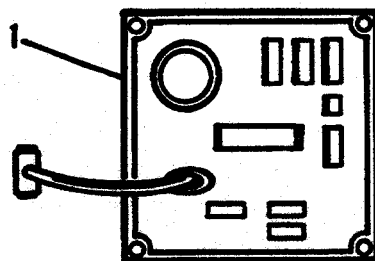
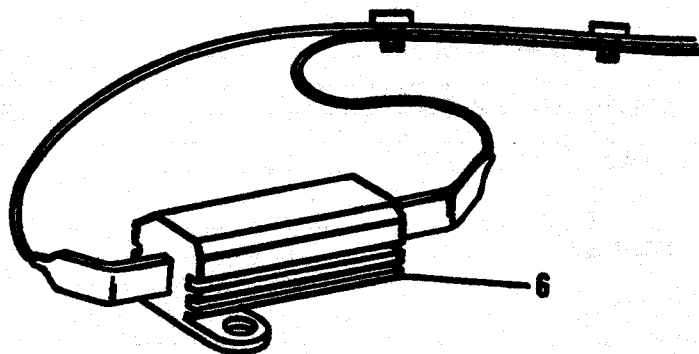


FIGURE 79
MODEL 9815/9850 Control Box - Part V

Parts Catalog

| Index No. | Part No. | MODEL 9805/9850 Figure 79 Description | Units Per Assy. |
|-----------|----------|--|-----------------|
| 1 | 017160 | P.C. BOARD ASSEMBLY - jam Detector | 1 |
| 2 | 017145 | ROD - Control Box | 1 |
| 3 | 017171 | RESISTOR ASSEMBLY | 1 |

Parts Catalog

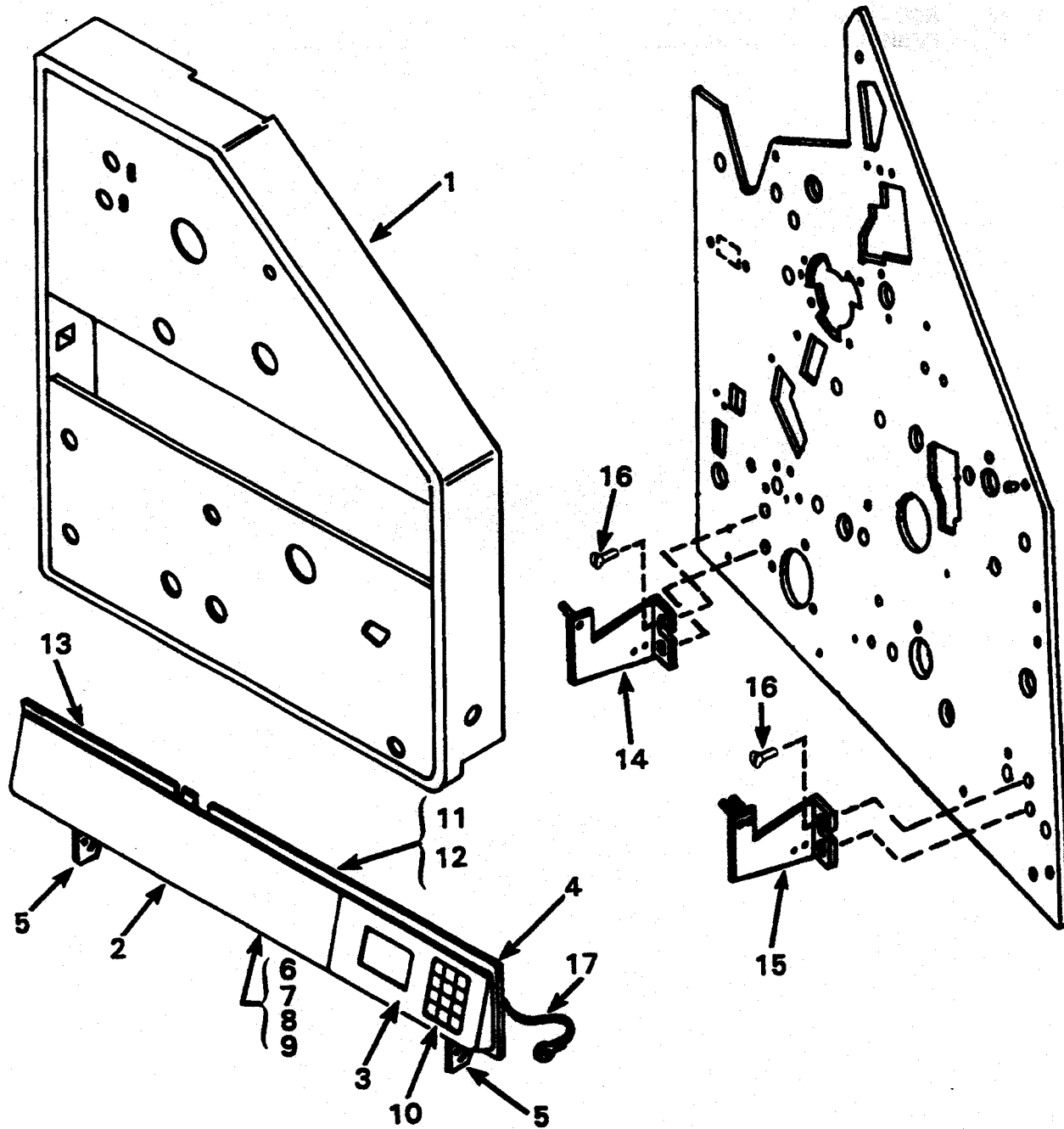


FIGURE 80
MODEL 9805/9810 New Style Control Box and Cover Assemblies

Parts Catalog

| Index No. | Part No. | MODEL 9805/9810 Figure 80 Description | Units Per Assy. |
|-----------|----------|--|-----------------|
| 1 | 401926 | TOP COVER, OPERATOR SIDE 9805 | 1 EA |
| 1 | 401927 | TOP COVER, OPERATOR SIDE 9810 | 1 EA |
| 2 | *401973 | CONTROL PANEL ASSEMBLY 9805 | 1 EA |
| 2 | *401952 | CONTROL PANEL ASSEMBLY 9810 | 1 EA |
| 3 | 401920 | COVER, CONTROL PANEL 9805, BEZEL | 1 EA |
| 3 | 401919 | COVER, CONTROL PANEL 9810, BEZEL | 1 EA |
| 4 | 401950 | CONTROL PANEL | 1 EA |
| 5 | 017799 | BRACKETS | 2 EA |
| 6 | 110114 | SCREW (FOR BEZEL) NOT ILLUSTRATED | 2 EA |
| 7 | 001279 | SCREW (FOR BRACKETS) NOT ILLUSTRATED | 4 EA |
| 8 | 401922 | COUNTER BRACKET 9810 | 1 EA |
| 9 | 253557 | SPACER FOR LED DISPLAY 9810 (NOT ILLUS) | 2 EA |
| 10 | 401951 | KEY-PAD 9810 | 1 EA |
| 11 | 001279 | SCREW (FOR COUNTER BOARD 9810) NOT ILLUS | 10 EA |
| 12 | 100228 | KEPS NUT (LED DISPLAY, 9810 NOT ILLUS) | 10 EA |
| 13 | 401971 | P.C. BOARD COVER 9810 | 1 EA |
| 14 | 017797 | BRACKET | 1 EA |
| 15 | 017163 | BRACKET | 1 EA |
| 16 | 001220 | SCREW | 3 EA |
| 17 | 401970 | GROUND WIRE (CONTROL PANEL TO GROUND) | 1 EA |

* Not Procurable Separately

Parts Catalog

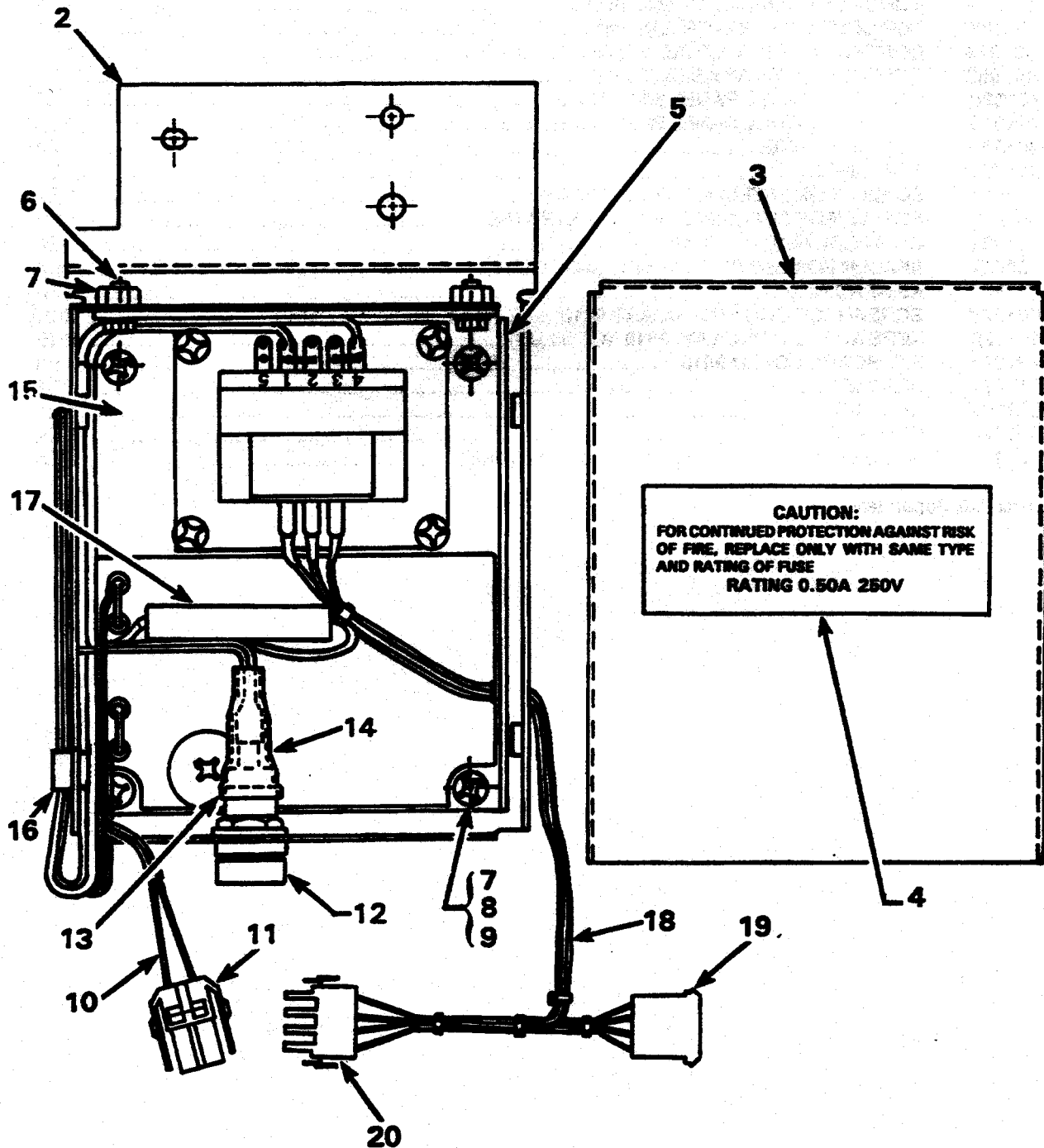


FIGURE 81
MODEL 9805/9810 New Style Power Supply

Parts Catalog

| Index No. | Part No. | MODEL 9805/9810 Figure 81 Description | Units Per Assy. |
|-----------|----------|--|-----------------|
| 1 | 401960 | POWER SUPPLY ASSY 115VAC | 1 EA |
| 1 | 401961 | POWER SUPPLY ASSY 220VAC | 1 EA |
| 2 | 401913 | POWER SUPPLY BOX | 1 EA |
| 3 | 401914 | COVER, POWER SUPPLY | 1 EA |
| 4 | 401928 | CAUTION DECAL .50A 250V (115V) | 1 EA |
| 4 | 401930 | CAUTION DECAL .25A 250V (220V) | 1 EA |
| 5 | *254337 | POWER SUPPLY 12VDC | 1 EA |
| 6 | 111034 | SCREW | 7 EA |
| 7 | 014811 | NUT | 6 EA |
| 8 | 001693 | SCREW | 4 EA |
| 9 | 195795 | SPACER | 4 EA |
| 10 | 401972 | HARNES. DC OUTPUT | 1 EA |
| 11 | 253384 | PLUG. TWO PIN | 1 EA |
| 12 | 254349 | FUSE CAP CARRIER | 1 EA |
| 13 | 254348 | FUSE HOLDER | 1 EA |
| 14 | 254347 | FUSE .5A (115V) | 1 EA |
| 14 | 254350 | FUSE .25A (220V) | 2 EA |
| 15 | 400867 | SHIELD | 1 EA |
| 16 | 250205 | CABLE CLAMP | 2 EA |
| 17 | 251195 | RESISTOR (115V ONLY) | 1 EA |
| 18 | 401962 | HARNES. AC INPUT | 1 EA |
| 19 | 253302 | CONNECTOR, 4 PIN FEMALE | 1 EA |
| 20 | 253327 | CONNECTOR, 4 PIN MALE | 1 EA |

*Not Procurable Separately

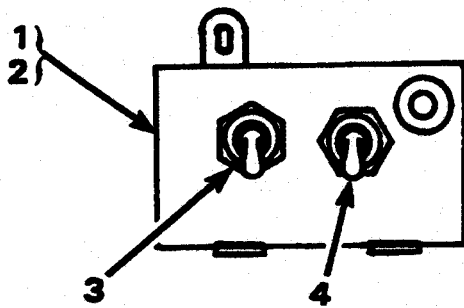
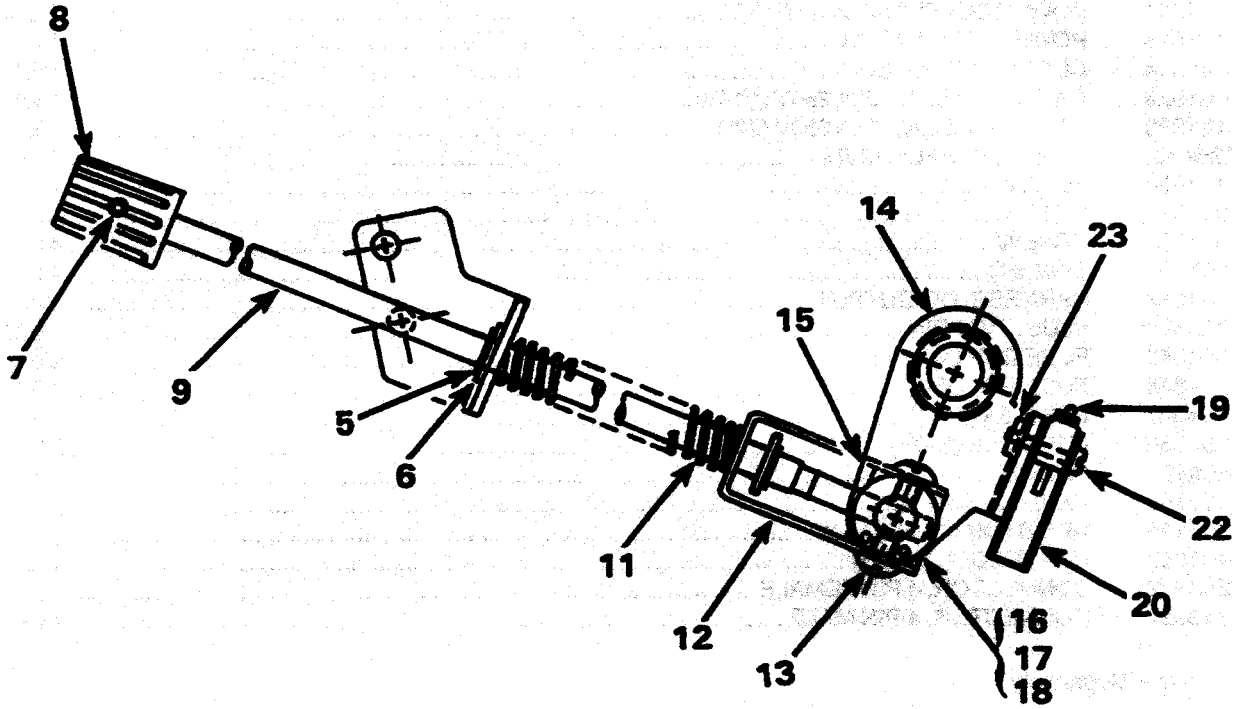


FIGURE 82
MODEL 9810 New Style Doubles Detector and Switch Box

Parts Catalog

| Index No. | Part No. | MODEL 9810 Figure 82 Description | Units Per Assy. |
|-----------|----------|--|--------------------|
| 1 | 401918 | SWITCH BOX | 1 EA |
| 2 | 401916 | BRACKET FOR SERVICE BYPASS (NOT ILLUS) | 1 EA |
| 3 | 250865 | SWITCH, TOGGLE DRIVE | 1 EA |
| 4 | 253238 | SWITCH, TOGGLE PUMP | 1 EA |
| | *** | DOUBLES DETECTOR SWITCH ASSEMBLY | 1 EA |
| 5 | 001049 | E- RING | 2 EA |
| 6 | 005071 | WASHER | 2 EA |
| 7 | 001207 | SET SCREW 8-32 X 3/16" | 1 EA |
| 8 | 016916 | KNOB | 1 EA |
| 9 | 016541 | SHAFT | 1 EA |
| 10 | 401917 | BRACKET | 1 EA |
| 11 | 196423 | SPRING | 1 EA |
| 12 | 016741 | BRACKET | 1 EA |
| 13 | 001588 | SCREW | 2 EA |
| 14 | 016739 | SWITCH BRACKET | 1 EA |
| 15 | 011948 | BLOCK | 1 EA |
| 16 | 001772 | WASHER | 1 EA |
| 17 | 014727 | SPRING WASHER | 1 EA |
| 18 | 100740 | CLIP | 1 EA |
| 19 | 253025 | SWITCH | 1 EA |
| 20 | 192855 | SWITCH COVER | 1 EA |
| 21 | 017159 | SPACER | 1 EA |
| 22 | 100490 | SCREW | 2 EA |
| 23 | 190483 | NUT PLATE | 1 EA |

***Not Procurable Separately

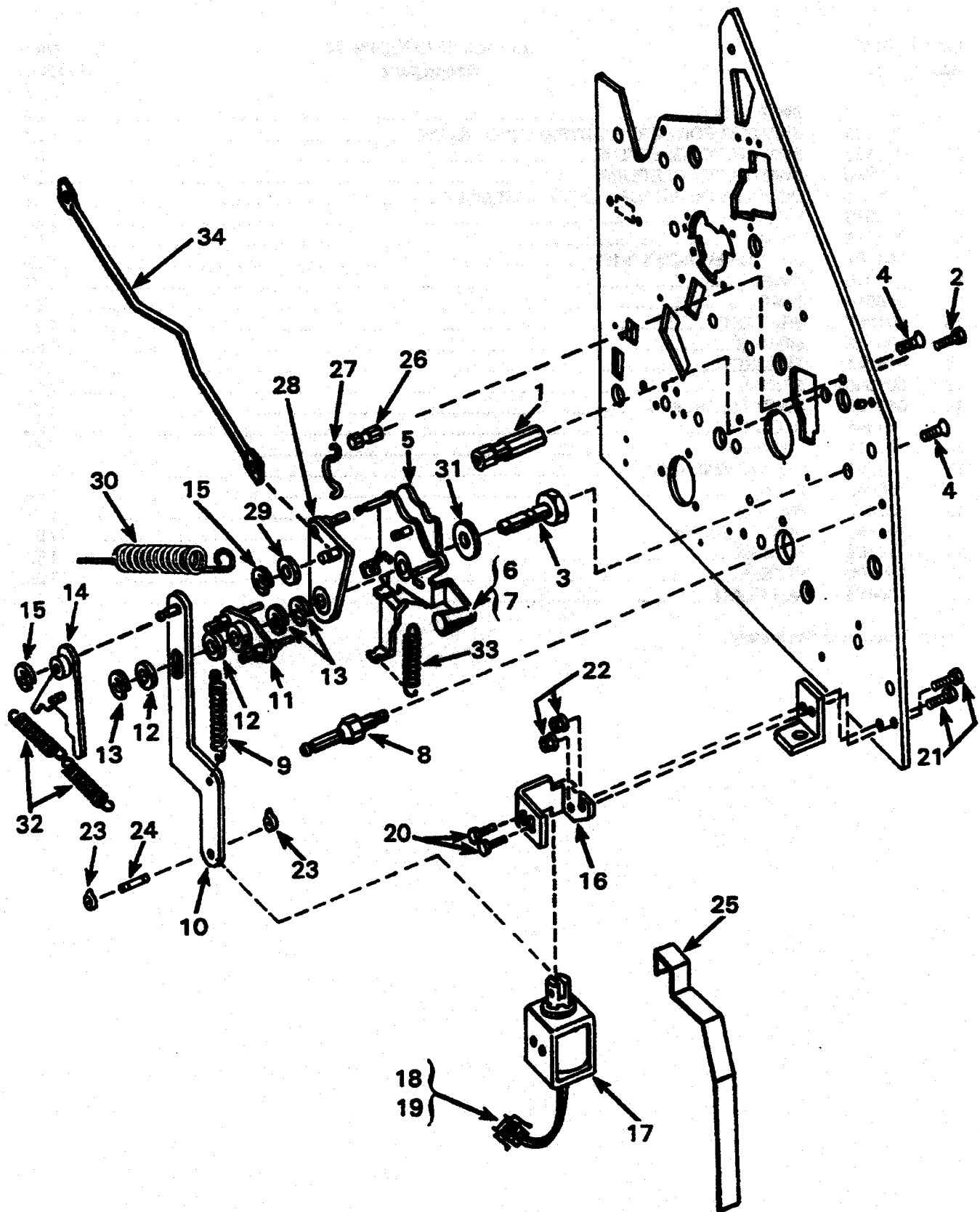


FIGURE 83
MODEL 9810 New Style Feed Lever and Feed On/Off Solenoid

Parts Catalog

| Index No. | Part No. | MODEL 9810 Figure 83 Description | Units Per Assy. |
|-----------|----------|---|--------------------|
| 1 | 401933 | STAND-OFF HEX | 1 EA |
| 2 | 111054 | SCREW | 1 EA |
| 3 | 197383 | STUD, FEED LEVER PIVOT | 2 EA |
| 4 | 10161 2 | SCREW | 1 EA |
| 5 | 401902 | FEED LEVER ASSEMBLY | 1 EA |
| 6 | 072052 | SPRING CLIP, KNOB | 1 EA |
| 7 | 011371 | KNOB | 1 EA |
| 8 | 197382 | SPRING ANCHOR | 1 EA |
| 9 | 078975 | SPRING | 1 EA |
| 10 | 401905 | LINK, ASSEMBLY FEED ON/OFF SOLENOID | 1 EA |
| 11 | 401925 | LEVER ASSEMBLY, TRANSFER | 1 EA |
| 12 | 001755 | WASHER | 2 EA |
| 13 | 001080 | E - RING | 3 EA |
| 14 | 401907 | LEVER ASSEMBLY, ACTUATING | 1 EA |
| 15 | 001060 | E - RING | 2 EA |
| 16 | 401909 | BRACKET, SOLENOID | 1 EA |
| 17 | 401969 | SOLENOID ASSEMBLY | 1 EA |
| 18 | 253383 | PLUG, 2 PIN | 1 EA |
| 19 | 253524 | PIN MALE | 2 EA |
| 20 | 111033 | SCREW | 2 EA |
| 21 | 195296 | SCREW | 2 EA |
| 22 | 150085 | NUT | 2 EA |
| 23 | 014515 | C - RING | 2 EA |
| 24 | 191463 | PIN | 1 EA |
| 25 | 401932 | CABLE GUIDE | 1 EA |
| 26 | 076711 | STUD | 1 EA |
| 27 | 190395 | SPRING | 1 EA |
| 28 | 076709 | BRACKET | 1 EA |
| 29 | 021203 | WASHER | 1 EA |
| 30 | 072531 | SPRING | 1 EA |
| 31 | 001771 | WASHER | 1 EA |
| 32 | 064590 | SPRING | 2 EA |
| 33 | 041774 | SPRING | 1 EA |
| 34 | 076704 | LEVER | 1 EA |

Parts Catalog

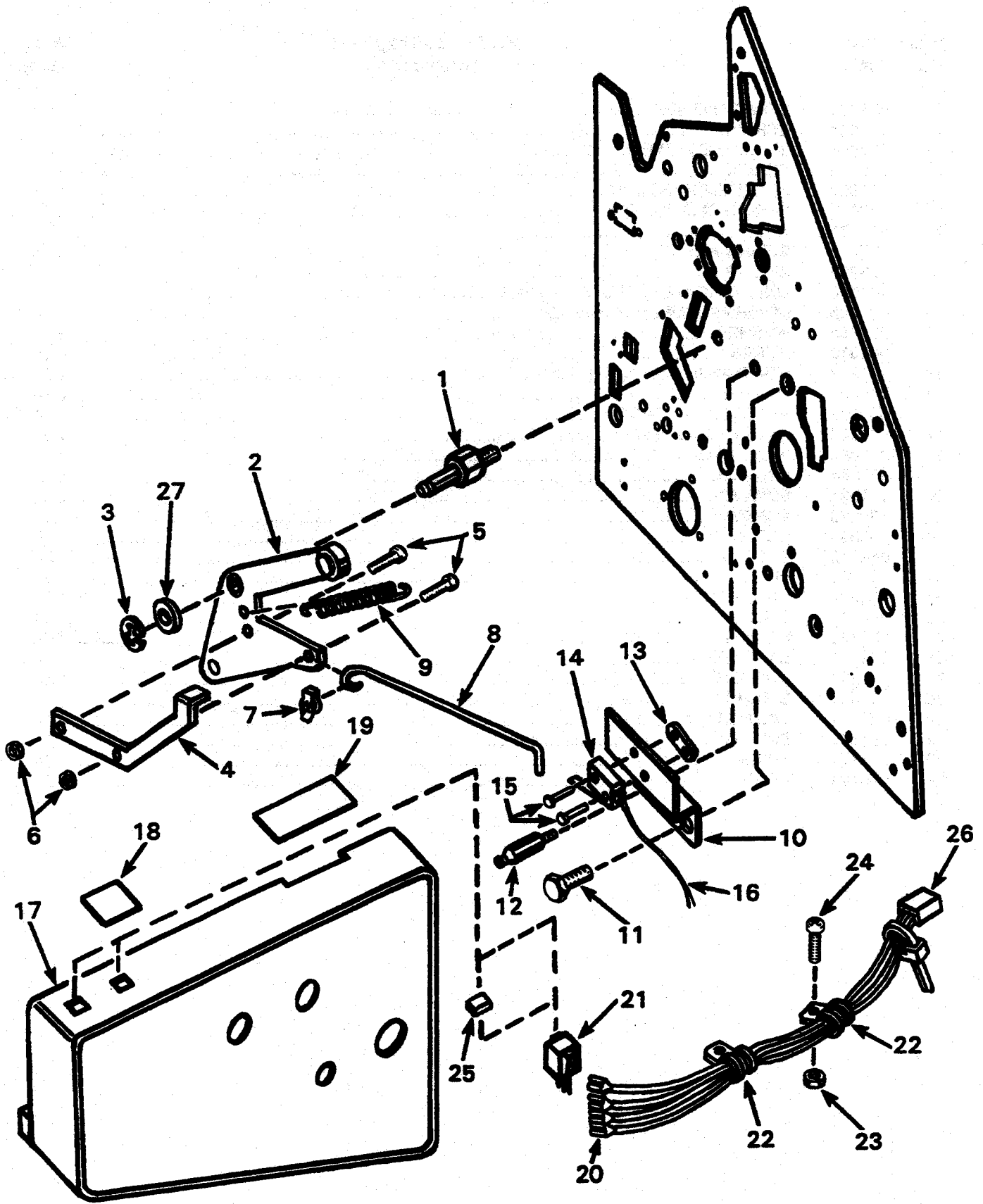


FIGURE 84
MODEL 9805/9810 New Style Counter Lever

Parts Catalog

| Index No. | Part No. | MODEL 9805/9810 Figure 83 Description | Units Per Assy. |
|-----------|----------|--|--------------------|
| 1 | 072440 | STUD | 1 EA |
| 2 | 010163 | LEVER, COUNTER | 1 EA |
| 3 | 001095 | E - RING | 1 EA |
| 4 | 401929 | LEVER, SWITCH ACTUATOR (9810 ONLY) | 1 EA |
| 5 | 110113 | SCREW (9810 ONLY) | 2 EA |
| 6 | 100228 | NUT (9810 ONLY) | 2 EA |
| 7 | 196471 | CLIP (9805 ONLY) | 1 EA |
| 8 | 401984 | LEVER, COUNTER ACTUATOR (9805 ONLY) | 1 EA |
| 9 | 196430 | SPRING | 1 EA |
| 10 | 401921 | BRACKET, SWITCH MOUNTING (9810 ONLY) | 1 EA |
| 11 | 072154 | SCREW, SHOULDER | 1 EA |
| 12 | 196461 | STUD, SPRING | 1 EA |
| 13 | 190555 | NUT PLATE | 1 EA |
| 14 | 253218 | SWITCH | 1 EA |
| 15 | 100678 | SCREW | 2 EA |
| 16 | 401967 | CABLE, COUNT INPUT | 1 EA |
| 17 | 087705 | COVER, O.S. (9810 ONLY) | 1 EA |
| 18 | 017018 | DECAL, FEED ON/OFF | 1 EA |
| 19 | 016546 | DECAL, TABLE RAISE | 1 EA |
| 20 | 250093 | TERMINAL | 2 EA |
| 21 | 253002 | SWITCH, LOW PROFILE | 1 EA |
| 22 | 250205 | CLAMP, CABLE | 2 EA |
| 23 | 150081 | NUT, 8-32 | 2 EA |
| 24 | 111035 | SCREW, 8-32 X 7/16" | 2 EA |
| 25 | 253031 | LENS CAP | 1 EA |
| 26 | 025658 | CABLE ASSEMBLY | 1 EA |
| 27 | 001766 | WASHER | 1 EA |

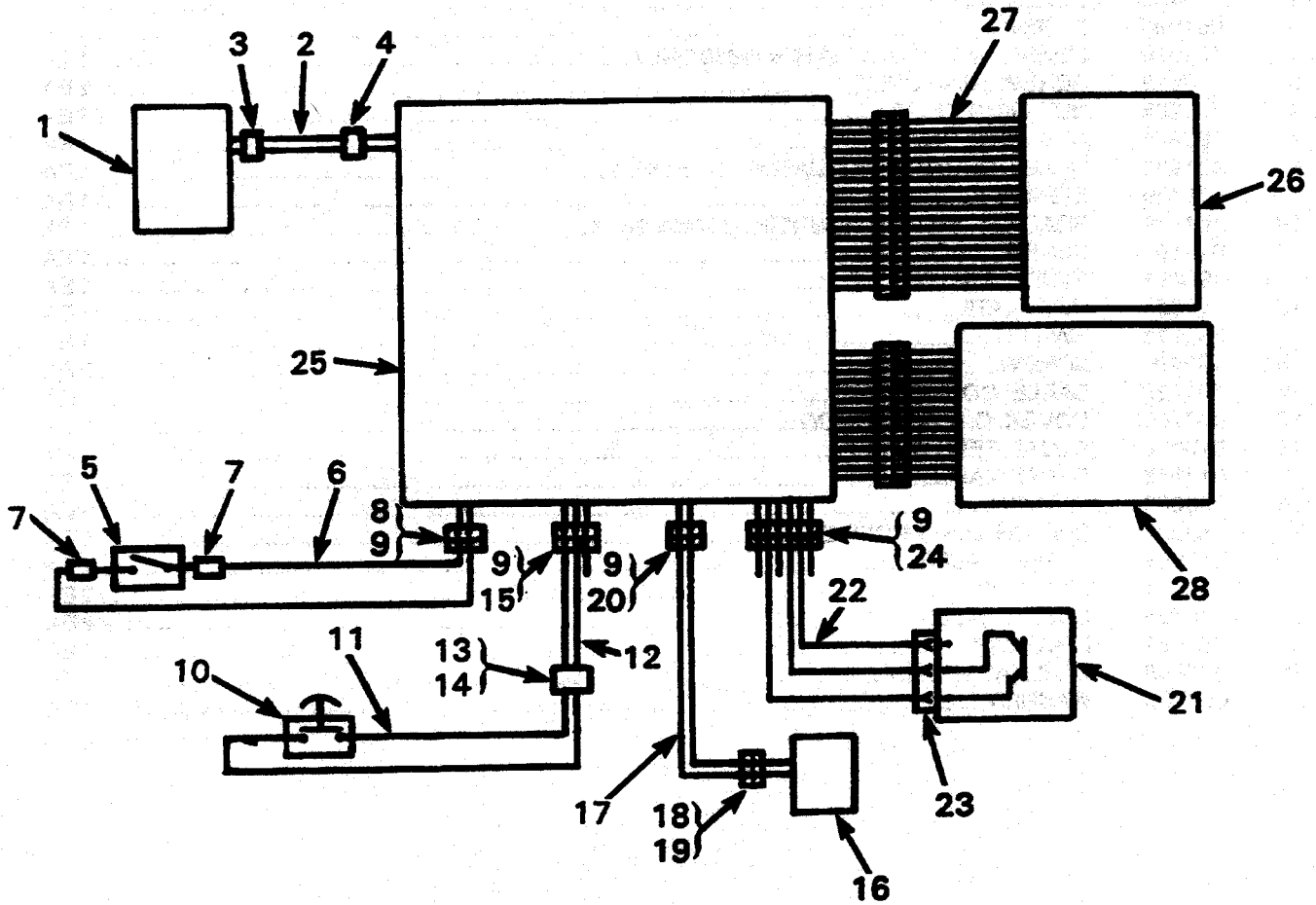


FIGURE 85
MODEL 9810 New Style Added Electrical Parts for Double Counter

Parts Catalog

| Index No. | Part No. | MODEL 9810 Figure 85 Description | Units Per Assy. |
|-----------|----------|---|--------------------|
| 1 | 401960 | 12VDC POWER SUPPLY (115VAC) | 1 EA |
| 1 | 401961 | 12VDC POWER SUPPLY (220VAC) | 1 EA |
| 2 | 401963 | HARNESS, P.S. DC TO COUNTER BOARD | 1 EA |
| 3 | 253383 | CONNECTOR, 2 PIN | 1 EA |
| 4 | 254352 | CONNECTOR, 2 PIN | 1 EA |
| 5 | 253025 | SWITCH | 1 EA |
| 6 | 401964 | CABLE, DOUBLES DETECTOR | 1 EA |
| 7 | 250061 | PIN, FEMALE | 2 EA |
| 8 | 254352 | CONNECTOR | 1 EA |
| 9 | 254355 | PIN, MALE | 2 EA |
| 10 | 253002 | SWITCH | 1 EA |
| 11 | 025658 | CABLE ASSEMBLY C.D. | 1 EA |
| 12 | 401965 | CABLE, REMOTE FEED | 1 EA |
| 13 | 253388 | CONNECTOR | 1 EA |
| 14 | 253526 | PIN, FEMALE | 2 EA |
| 15 | 254352 | CONNECTOR | 1 EA |
| 16 | 401969 | FEED SOLENOID | 1 EA |
| 17 | 401966 | CABLE, FEED SOLENOID | 1 EA |
| 18 | 253384 | CONNECTOR | 1 EA |
| 19 | 253525 | PIN, FEMALE | 2 EA |
| 20 | 254357 | CONNECTOR | 1 EA |
| 21 | 253218 | SWITCH, COUNT (HALL EFFECT) | 1 EA |
| 22 | 401967 | CABLE, COUNT INPUT | 1 EA |
| 23 | 253219 | PLUG, HALL EFFECT SWITCH | 1 EA |
| 24 | 254353 | CONNECTOR | 1 EA |
| 25 | 401955 | COUNTER BOARD ASSEMBLY | 1 EA |
| 26 | 401957 | CABLE, COUNTER BOARD TO KEYBOARD | 1 EA |
| 27 | 401953 | LCDDISPLAY ASSEMBLY | 1 EA |

Index

| Part No. | Page No. | Part No. | Page No. | Part No. | Page No. |
|----------|--|----------|------------------------|----------|--------------------------------------|
| 000006 | 27 | 001220 | 9, 17, 33, 217, 221 | 001588 | 63, 93, 225 |
| 000009 | 53, 187 | 001233 | 205 | 001589 | 93 |
| 000011 | 55, 57 | 001259 | 169 | 001611 | 143 |
| 000012 | 127 | 001260 | 57 | 001631 | 5 |
| 000014 | 37, 117, 195 | 001267 | 33, 131 | 001649 | 87 |
| 000020 | 113, 115 | 001279 | 7, 9, 221 | 001650 | 115, 171, 177, 185 |
| 000022 | 127 | 001292 | 9 | 001683 | 33 |
| 000023 | 127, 185, 191 | 001299 | 17, 35 | 001685 | 185 |
| 000024 | 127, 159, 169 | 001401 | 131, 191 | 001687 | 113, 115 |
| 000666 | 71, 73 | 001404 | 109, 127, 131 | 001688 | 115 |
| 000895 | 141, 187 | 001409 | 133 | 001690 | 83, 159 |
| 001044 | 59, 131 | 001412 | 91, 109, 119 | 001691 | 103, 213 |
| 001046 | 59, 97, 99, 103, 113, 115, 125, 169, 177, 179 | 001413 | 57, 131 | 001693 | 137, 153, 223 |
| 001047 | 11, 45, 103, 109, 111, 119, 121, 123, 125, 131, 169, 197, 199 | 001416 | 23, 127 | 001702 | 39, 69, 83, 89, 137 |
| 001048 | 47, 71, 73, 105, 131, 159 | 001420 | 127, 183 | 001706 | 213 |
| 001049 | 11, 45, 93, 105, 125, 179, 191, 193, 197, 199, 225 | 001422 | 97 | 001710 | 39 |
| 001054 | 195 | 001427 | 37, 47, 53 | 001711 | 129 |
| 001060 | 13, 15, 17, 19, 29, 41, 61, 63, 71, 73, 77, 91, 95, 133, 143, 175, 179, 185, 191, 201, 203, 207, 213, 215, 227 | 001428 | 55, 59 | 001714 | 213 |
| 001062 | 77, 103 | 001432 | 47, 197, 199 | 001715 | 209 |
| 001065 | 79 | 001434 | 55, 59 | 001721 | 47, 189, 191 |
| 001066 | 79, 85 | 001445 | 189 | 001722 | 103 |
| 001067 | 111 | 001446 | 77, 99 | 001725 | 63 |
| 001073 | 29, 169, 207 | 001452 | 191 | 001731 | 175, 177 |
| 001074 | 111 | 001456 | 127 | 001740 | 77, 99 |
| 001075 | 85, 91, 103, 109 | 001462 | 115 | 001742 | 27 |
| 001076 | 59, 183, 193 | 001469 | 105 | 001747 | 11 |
| 001080 | 21, 25, 27, 61, 77, 95, 99, 105, 111, 113, 115, 171, 189, 191, 203, 209, 227 | 001470 | 105 | 001750 | 25, 125 |
| 001087 | 31 | 001472 | 105, 193 | 001755 | 125, 197, 199, 227 |
| 001093 | 175 | 001473 | 83 | 001763 | 173, 175 |
| 001094 | 27, 35, 37, 45, 59, 67, 105, 123, 183, 203, 205 | 001493 | 103 | 001766 | 95, 109, 173, 229 |
| 001095 | 41, 43, 63, 71, 73, 83, 85, 95, 105, 109, 129, 159, 173, 191, 193, 197, 199, 203, 229 | 001497 | 35, 37, 43, 47, 55, 57 | 001771 | 197, 203, 227 |
| 001097 | 59, 83 | 001498 | 103 | 001772 | 25, 91, 93, 225 |
| 001098 | 45, 61 | 001523 | 35, 165, 167 | 001776 | 187 |
| 001099 | 25 | 001526 | 171 | 001778 | 39 |
| 001106 | 17, 63, 113, 115, 153, 155 | 001540 | 9 | 001781 | 83 |
| 001185 | 107 | 001541 | 5, 73, 127, 187 | 001782 | 61 |
| 001202 | 213 | 001542 | 113, 115, 121, 187 | 001784 | 169, 171, 181, 183 |
| 001207 | 35, 39, 63, 91, 93, 225 | 001543 | 135 | 001785 | 59, 105 |
| | | 001548 | 137, 151 | 001787 | 169, 171 |
| | | 001552 | 143, 199 | 001797 | 47, 121 |
| | | 001555 | 33, 83, 147, 161, 205 | 001804 | 37 |
| | | 001567 | 127 | 001805 | 137 |
| | | 001573 | 127, 169 | 001812 | 11, 29, 39, 57, 71, 73, 97, 143, 209 |
| | | 001574 | 17 | 001817 | 33, 35 |
| | | 001575 | 13, 17, 21, 135 | 001818 | 27, 77, 99 |
| | | 001577 | 49, 51 | 001821 | 67, 77, 87 |
| | | 001580 | 135 | 001824 | 101 |
| | | 001586 | 13, 91 | | |

Parts Catalog

| Part No. | Page No. | Part No. | Page No. | Part No. | Page No. |
|----------|---|----------|-------------|----------|------------|
| 001832 | 27 | 007567 | 49 | 007716 | 205 |
| 001834 | 39, 67 | 007569 | 37 | 007720 | 181 |
| 001840 | 87, 181, 183 | 007570 | 37 | 007721 | 181 |
| 001845 | 87, 157, 197, 213, 215 | 007575 | 43, 75, 101 | 007722 | 175 |
| 001853 | 5, 17 | 007577 | 37, 43 | 007727 | 179 |
| 001884 | 35, 211 | 007580 | 35, 37, 43 | 007729 | 87 |
| 001920 | 161, 197, 199 | 007581 | 37 | 007731 | 85 |
| 001936 | 161 | 007582 | 75 | 007733 | 205 |
| 001956 | 45, 117, 123, 193 | 007585 | 45 | 007737 | 17 |
| 001974 | 207 | 007591 | 45 | 007738 | 17 |
| 001976 | 185 | 007594 | 55 | 007743 | 103 |
| 001978 | 23, 31, 35, 49, 51, 53, 131, 197, 199 | 007595 | 55 | 007744 | 13 |
| 001980 | 31, 49, 51, 69, 89, 115, 123, 159, 171, 189 | 007596 | 55 | 007745 | 75 |
| 001981 | 67, 83, 87, 197, 199 | 007599 | 49, 51 | 007750 | 101 |
| 001983 | 169, 195 | 007601 | 117 | 007751 | 131 |
| 001984 | 29, 113, 115 | 007602 | 117 | 007762 | 85 |
| 001986 | 83 | 007603 | 83 | 007763 | 85 |
| 001987 | 37, 81, 117, 119 | 007609 | 87 | 007764 | 85 |
| 001990 | 35, 103, 163 | 007613 | 85 | 007766 | 79 |
| 001992 | 69, 89, 127 | 007614 | 85 | 007767 | 79 |
| 003042 | 59, 105, 195 | 007623 | 83 | 007809 | 3 |
| 003560 | 171 | 007628 | 67 | 007815 | 147 |
| 003578 | 25 | 007633 | 79 | 007816 | 13 |
| 003586 | 33, 81, 171 | 007641 | 111 | 007851 | 149 |
| 003850 | 125 | 007643 | 115 | 007852 | 37 |
| 004074 | 25, 191 | 007645 | 115 | 007856 | 25 |
| 005034 | 119 | 007646 | 115 | 007859 | 23 |
| 005071 | 91, 93, 103, 225 | 007647 | 111 | 007862 | 3 |
| 005620 | 127, 175, 177 | 007648 | 111 | 007930 | 205 |
| 006675 | 11, 143 | 007650 | 113, 115 | 007932 | 145, 211 |
| 006774 | 67 | 007651 | 111 | 007937 | 121 |
| 006776 | 27 | 007652 | 111 | 007941 | 205 |
| 006801 | 141 | 007653 | 23 | 007942 | 205 |
| 006825 | 169, 171 | 007656 | 23 | 007952 | 17 |
| 006917 | 145, 207 | 007657 | 25 | 007954 | 17 |
| 006987 | 31, 105 | 007661 | 3 | 007957 | 145 |
| 007076 | 177 | 007662 | 27 | 007958 | 23 |
| 007236 | 133 | 007663 | 27 | 007964 | 25 |
| 007533 | 159 | 007664 | 85 | 007966 | 25 |
| 007534 | 159 | 007668 | 23 | 007980 | 13, 15 |
| 007547 | 39 | 007672 | 163 | 007981 | 17 |
| 007549 | 45 | 007684 | 23 | 007982 | 179 |
| 007554 | 53 | 007689 | 3 | 007984 | 85 |
| 007557 | 47 | 007694 | 11 | 007986 | 85 |
| 007558 | 47 | 007696 | 131 | 007988 | 13, 15, 29 |
| 007559 | 47 | 007697 | 131 | 007989 | 147 |
| 007563 | 117 | 007699 | 131 | 008024 | 75 |
| 007564 | 117 | 007703 | 185 | 008026 | 37 |
| 007565 | 51 | 007709 | 185 | 008029 | 165 |
| | | 007710 | 185 | 008038 | 3 |
| | | 007715 | 185 | 008066 | 55 |

Parts Catalog

| Part No. | Page No. | Part No. | Page No. | Part No. | Page No. |
|----------|----------|----------|-----------------|----------|-----------------------------------|
| 008109 | 159 | 009788 | 63 | 011371 | 23, 27, 41, 59, 95, 119, 171, 227 |
| 008110 | 169 | 009791 | 65 | 011405 | 119 |
| 008111 | 169 | 009794 | 65 | 011431 | 159 |
| 008112 | 169 | 009796 | 63 | 011432 | 159 |
| 008114 | 213 | 010070 | 5 | 011506 | 141, 187 |
| 008289 | 133 | 010072 | 5 | 011507 | 141, 187 |
| 008290 | 133 | 010076 | 171 | 011517 | 141 |
| 00884 | 5 | 010079 | 171 | 011518 | 141 |
| 009527 | 109 | 010081 | 159, 171 | 011943 | 91 |
| 009530 | 109 | 010082 | 171 | 011945 | 91 |
| 009531 | 109 | 010083 | 171 | 011946 | 91 |
| 009532 | 113 | 010085 | 171 | 011948 | 91, 93, 225 |
| 009535 | 113 | 010092 | 171 | 012022 | 123 |
| 009536 | 113 | 010094 | 171 | 012141 | 23, 33 |
| 009537 | 113, 115 | 010096 | 171 | 012142 | 11 |
| 009538 | 113 | 010142 | 105 | 012379 | 33 |
| 009548 | 81 | 010160 | 95 | 012422 | 25 |
| 009550 | 79 | 010163 | 95, 229 | 012544 | 169 |
| 009551 | 81 | 010165 | 95 | 012705 | 79 |
| 009553 | 81 | 010166 | 95 | 012913 | 133 |
| 009554 | 81 | 010187 | 5, 7 | 013007 | 163 |
| 009558 | 81 | 010342 | 19, 29, 31, 207 | 013010 | 163 |
| 009559 | 81 | 010364 | 11 | 013043 | 169 |
| 009570 | 213 | 010372 | 67 | 013065 | 169 |
| 009571 | 213 | 010378 | 19 | 013287 | 133 |
| 009650 | 85 | 010388 | 19 | 013434 | 163 |
| 009651 | 85 | 010390 | 15 | 013827 | 121 |
| 009652 | 85 | 010399 | 21 | 013913 | 133 |
| 009662 | 99 | 010402 | 21 | 013947 | 159 |
| 009664 | 99 | 010405 | 19 | 014108 | 31, 35, 49, 51, 127 |
| 009665 | 99 | 010411 | 19 | 014110 | 133 |
| 009667 | 79 | 010412 | 19 | 014111 | 65 |
| 009670 | 85 | 010413 | 15 | 014121 | 67, 87, 165 |
| 009671 | 85 | 010414 | 15 | 014133 | 59 |
| 009751 | 63, 65 | 010415 | 21 | 014136 | 17 |
| 009754 | 61 | 010419 | 21 | 014149 | 103 |
| 009756 | 61 | 010420 | 21 | 014151 | 59, 79 |
| 009757 | 63 | 010421 | 67 | 014157 | 47, 81, 85 |
| 009766 | 61 | 010423 | 19 | 014158 | 105, 113, 115 |
| 009767 | 61 | 010425 | 15 | 014164 | 179 |
| 009772 | 61 | 010428 | 15, 29 | 014165 | 85 |
| 009773 | 61 | 010431 | 15 | 014169 | 11 |
| 009774 | 63 | 010433 | 147 | 014170 | 11 |
| 009777 | 63 | 010434 | 145 | 014172 | 67, 87 |
| 009778 | 61 | 011051 | 159 | 014173 | 87 |
| 009780 | 63 | 011052 | 159 | 014174 | 97, 99 |
| 009781 | 61 | 011055 | 101 | 014175 | 31 |
| 009782 | 61 | 011056 | 101 | 014180 | 33, 35, 45 |
| 009783 | 61 | 011076 | 159 | 014182 | 33 |
| 009785 | 61 | 011077 | 159 | 014183 | 165 |
| 009786 | 61 | 011229 | 101 | | |

Parts Catalog

| Part No. | Page No. | Part No. | Page No. | Part No. | Page No. |
|----------|--|----------|---|----------|-----------------------|
| 014187 | 33, 157, 205 | 014520 | 71 | 014835 | 109 |
| 014192 | 79 | 014523 | 35, 37, 43 | 014844 | 103 |
| 014203 | 75, 147 | 014529 | 103 | 014902 | 45, 59, 103, 123, 127 |
| 014205 | 85 | 014562 | 115 | 014905 | 37 |
| 014206 | 65, 67, 85 | 014570 | 81 | 014906 | 175 |
| 014207 | 47 | 014576 | 179 | 014910 | 47 |
| 014212 | 127 | 014579 | 37 | 014912 | 49, 51 |
| 014215 | 59, 63, 181 | 014605 | 27 | 014921 | 55, 59, 81 |
| 014219 | 103, 175 | 014606 | 75 | 014966 | 105 |
| 014222 | 55 | 014608 | 177, 181 | 014972 | 83 |
| 014225 | 3 | 014636 | 185 | 015213 | 59, 83 |
| 014229 | 177 | 014638 | 189 | 015260 | 101 |
| 014230 | 3 | 014639 | 197, 199 | 015490 | 7, 17, 21 |
| 014233 | 141 | 014640 | 201 | 016060 | 159 |
| 014234 | 41 | 014641 | 175 | 016158 | 87 |
| 014247 | 183 | 014646 | 57, 189 | 016169 | 29 |
| 014248 | 13, 17, 21, 27, 47, 83, 99, 133, 199 | 014647 | 189 | 016170 | 7 |
| 014249 | 129 | 014648 | 189 | 016171 | 7 |
| 014250 | 63 | 014688 | 59 | 016188 | 137 |
| 014281 | 201 | 014703 | 11, 109 | 016191 | 29 |
| 014291 | 19 | 014709 | 71 | 016197 | 29 |
| 014304 | 27 | 014712 | 131, 203 | 016198 | 31 |
| 014311 | 5, 31, 35, 211 | 014718 | 123 | 016199 | 31 |
| 014313 | 79 | 014721 | 79 | 016204 | 101 |
| 014322 | 181 | 014727 | 77, 91, 93, 99, 111, 131, 171, 225 | 016205 | 101 |
| 014327 | 177, 179 | 014740 | 123 | 016206 | 73 |
| 014337 | 211 | 014741 | 45, 175 | 016207 | 75 |
| 014342 | 127 | 014745 | 41 | 016208 | 189 |
| 014350 | 41, 71, 73, 75, 107 | 014748 | 79 | 016209 | 189 |
| 014366 | 185 | 014750 | 47 | 016261 | 17 |
| 014369 | 113, 125, 205, 211 | 014753 | 175 | 016271 | 27 |
| 014372 | 23, 25, 35, 41, 53, 73, 113, 115, 117, 181 | 014761 | 95, 177, 181, 183 | 016275 | 27 |
| 014390 | 25, 35, 37, 43, 67, 205 | 014774 | 17 | 016298 | 187 |
| 014461 | 199 | 014784 | 165, 177 | 016309 | 151 |
| 014463 | 13, 15, 29 | 014793 | 27 | 016315 | 5 |
| 014464 | 95, 191 | 014799 | 83, 171 | 016318 | 21 |
| 014472 | 173 | 014805 | 27 | 016320 | 7, 9 |
| 014473 | 171 | 014807 | 75, 107, 129, 131, 133, 137, 149, 213 | 016322 | 7 |
| 014504 | 27, 61, 63, 85, 107, 179, 195, 205, 207 | 014808 | 17, 21, 35, 41, 43, 55, 57, 71, 73, 85, 89, 97, 99, 103, 107, 125, 129, 131, 137, 147, 157, 187, 205, 217 | 016325 | 113, 115 |
| 014507 | 11, 23, 53 | 014810 | 121 | 016327 | 159 |
| 014510 | 95, 127, 185, 193 | 014811 | 113, 125, 141, 143, 145, 147, 151, 153, 157, 205, 213, 223 | 016363 | 183 |
| 014511 | 91, 93 | 014812 | 31, 135, 137, 147, 149, 153, 157, 205 | 016365 | 209 |
| 014513 | 35, 177 | 014819 | 49, 51 | 016367 | 177 |
| 014514 | 205, 209 | | | 016368 | 177 |
| 014515 | 99, 109, 227 | | | 016374 | 177 |
| 014516 | 65, 85 | | | 016376 | 177, 193 |
| 014517 | 67, 87 | | | 016378 | 131 |
| 014518 | 23 | | | 016380 | 127 |
| | | | | 016381 | 179 |
| | | | | 016384 | 177 |
| | | | | 016385 | 177 |

Parts Catalog

| Part No. | Page No. | Part No. | Page No. | Part No. | Page No. |
|----------|----------|----------|-------------------|----------|-------------|
| 016387 | 177 | 016526 | 207 | 016766 | 7, 9 |
| 016389 | 215 | 016527 | 207 | 016771 | 31 |
| 016390 | 215 | 016528 | 209 | 016773 | 33 |
| 016391 | 183 | 016533 | 209 | 016774 | 33 |
| 016393 | 183 | 016534 | 207 | 016788 | 35 |
| 016396 | 183 | 016535 | 207 | 016791 | 35 |
| 016397 | 183 | 016536 | 207 | 016795 | 35 |
| 016398 | 183 | 016541 | 93, 225 | 016806 | 29 |
| 016399 | 195 | 016542 | 177 | 016808 | 29 |
| 016401 | 215 | 016544 | 209 | 016810 | 35 |
| 016402 | 215 | 016546 | 211, 229 | 016812 | 35 |
| 016405 | 215 | 016547 | 215 | 016813 | 33 |
| 016406 | 189 | 016550 | 171 | 016816 | 35 |
| 016407 | 189 | 016553 | 171 | 016818 | 35 |
| 016409 | 195 | 016568 | 217 | 016819 | 35 |
| 016412 | 195 | 016569 | 165, 167 | 016822 | 35 |
| 016416 | 199 | 016572 | 25, 111, 209 | 016823 | 35 |
| 016418 | 199 | 016574 | 77, 103, 191, 193 | 016824 | 31 |
| 016421 | 187 | 016584 | 209 | 01685 | 5 |
| 016424 | 187 | 016585 | 211 | 016851 | 33 |
| 016429 | 177 | 016586 | 211 | 016858 | 29 |
| 016430 | 187 | 016587 | 211 | 016859 | 29 |
| 016431 | 187 | 016588 | 211 | 016862 | 171 |
| 016437 | 215 | 016590 | 211 | 016864 | 37 |
| 016438 | 215 | 016591 | 211 | 016868 | 29 |
| 016441 | 193 | 016642 | 215 | 016882 | 165 |
| 016445 | 211 | 016677 | 31 | 016889 | 9 |
| 016446 | 211 | 016680 | 31 | 016894 | 9 |
| 016450 | 203, 209 | 016682 | 31 | 016895 | 9 |
| 016452 | 203 | 016683 | 31 | 016896 | 9 |
| 016458 | 203 | 016687 | 31 | 016897 | 163 |
| 016459 | 187 | 016690 | 179 | 016898 | 163 |
| 016461 | 203 | 016691 | 179 | 016903 | 141 |
| 016462 | 203 | 016695 | 211 | 016906 | 141 |
| 016466 | 203, 209 | 016696 | 211 | 016907 | 83 |
| 016469 | 209 | 016697 | 33 | 016909 | 211 |
| 016470 | 203 | 016698 | 29 | 016916 | 91, 93, 225 |
| 016471 | 203 | 016699 | 211 | 016918 | 143 |
| 016472 | 193 | 016716 | 29 | 016919 | 143 |
| 016477 | 199 | 016718 | 29 | 016920 | 91 |
| 016478 | 209 | 016720 | 29 | 016921 | 199 |
| 016481 | 199 | 016722 | 29 | 016922 | 83 |
| 016486 | 193 | 016723 | 29 | 016924 | 83 |
| 016489 | 193 | 016739 | 93, 225 | 016931 | 155 |
| 016494 | 193 | 016740 | 93 | 016933 | 191, 193 |
| 016501 | 179 | 016741 | 93, 225 | 016937 | 45 |
| 016502 | 183 | 016746 | 211 | 016941 | 73 |
| 016504 | 183 | 016747 | 211 | 016942 | 73 |
| 016507 | 183 | 016749 | 207 | 016945 | 9 |
| 016521 | 199 | 016756 | 155 | 016946 | 9 |
| 016525 | 207 | 016762 | 155 | 016947 | 9 |

Parts Catalog

| Part No. | Page No. | Part No. | Page No. | Part No. | Page No. |
|----------|-------------|----------|---------------------------|----------|---------------|
| 016948 | 9 | 017489 | 147 | 017622 | 59 |
| 016949 | 9 | 017490 | 127, 145 | 017623 | 59 |
| 017015 | 91 | 017514 | 101 | 017624 | 155 |
| 017016 | 211 | 017517 | 73 | 017626 | 51 |
| 017017 | 211 | 017520 | 5 | 017627 | 77 |
| 017018 | 5, 211, 229 | 017521 | 5 | 017630 | 59 |
| 017019 | 151 | 017527 | 5 | 017633 | 45 |
| 017021 | 75 | 017528 | 5 | 017636 | 59 |
| 017029 | 211 | 017537 | 5 | 017637 | 59 |
| 017032 | 151 | 017539 | 5 | 017639 | 45 |
| 017052 | 197 | 017541 | 5 | 017640 | 45 |
| 017060 | 17 | 017542 | 157, 213, 215 | 017641 | 41 |
| 017075 | 17 | 017545 | 157 | 017643 | 105 |
| 017076 | 9 | 017548 | 27 | 017644 | 105 |
| 017077 | 67 | 017558 | 211 | 017645 | 105 |
| 017090 | 5 | 017564 | 213 | 017647 | 105 |
| 017092 | 5 | 017565 | 213 | 017650 | 73 |
| 017093 | 5 | 017570 | 205 | 017654 | 73 |
| 017094 | 5 | 017572 | 205 | 017655 | 149 |
| 017108 | 149 | 017573 | 205 | 017657 | 149 |
| 017109 | 149 | 017575 | 205 | 017659 | 149 |
| 017110 | 149 | 017576 | 205 | 017660 | 155 |
| 017111 | 149 | 017577 | 205 | 017661 | 155 |
| 017112 | 149 | 017578 | 77 | 017667 | 155 |
| 017113 | 149 | 017580 | 211 | 017670 | 153 |
| 017125 | 105 | 017582 | 191, 193 | 017671 | 143, 155 |
| 017128 | 105 | 017587 | 191 | 017672 | 153 |
| 017129 | 169 | 017588 | 191 | 017674 | 23 |
| 017130 | 151 | 017589 | 9 | 017675 | 155 |
| 017131 | 143 | 017592 | 189 | 017676 | 11 |
| 017133 | 113, 115 | 017593 | 23, 27, 41, 119, 123, 211 | 017677 | 11 |
| 017134 | 113, 115 | 017594 | 171 | 017680 | 185 |
| 017137 | 217 | 017595 | 123, 171 | 017682 | 159 |
| 017140 | 5 | 017597 | 197 | 017683 | 205 |
| 017144 | 137, 149 | 017598 | 197 | 017684 | 205 |
| 017145 | 219 | 017599 | 195 | 017686 | 201 |
| 017146 | 149 | 017600 | 195 | 017688 | 201 |
| 017147 | 157 | 017603 | 5, 7 | 017689 | 213 |
| 017150 | 161 | 017604 | 5, 7 | 017692 | 17 |
| 017151 | 105, 161 | 017605 | 5, 7 | 017693 | 59 |
| 017159 | 91, 93, 225 | 017606 | 5, 7 | 017694 | 213 |
| 017160 | 219 | 017607 | 5, 7 | 017695 | 55 |
| 017163 | 9, 221 | 017608 | 5, 7 | 017697 | 55 |
| 017167 | 159 | 017610 | 155 | 017700 | 145, 147, 155 |
| 017171 | 219 | 017611 | 59 | 017702 | 59 |
| 017477 | 73 | 017613 | 59 | 017704 | 41 |
| 017478 | 127 | 017615 | 59 | 017707 | 23 |
| 017480 | 127 | 017616 | 59 | 017708 | 23 |
| 017481 | 73 | 017618 | 59 | 017711 | 17 |
| 017485 | 127 | 017619 | 53 | 017714 | 195 |
| 017487 | 127 | 017620 | 53 | 017715 | 105, 195 |

Parts Catalog

| Part No. | Page No. | Part No. | Page No. | Part No. | Page No. |
|----------|---------------------|----------|---------------|----------|----------|
| 017716 | 9 | 017823 | 165 | 018213 | 107 |
| 017717 | 17 | 017838 | 147 | 018214 | 107 |
| 017720 | 17 | 017839 | 145 | 018229 | 137 |
| 017722 | 157 | 017840 | 79 | 018242 | 7 |
| 017729 | 129 | 017842 | 155 | 018243 | 7 |
| 017730 | 129 | 017843 | 155 | 018244 | 7 |
| 017731 | 129 | 017844 | 149 | 018249 | 137, 139 |
| 017732 | 155 | 017845 | 149 | 018310 | 15 |
| 017733 | 139, 155 | 017847 | 149 | 018312 | 15 |
| 017734 | 73 | 017849 | 149 | 018314 | 19 |
| 017735 | 31, 49, 51, 69, 163 | 017850 | 149 | 018315 | 19 |
| 017736 | 139, 155 | 017858 | 169, 171 | 018316 | 7 |
| 017738 | 103 | 017859 | 165 | 018318 | 137, 139 |
| 017739 | 59, 81 | 017864 | 147 | 018319 | 135, 137 |
| 017742 | 127 | 017865 | 211 | 018320 | 135, 137 |
| 017744 | 71, 73 | 017866 | 151 | 018321 | 137, 139 |
| 017747 | 23 | 017867 | 151 | 018322 | 135, 137 |
| 017750 | 103 | 017868 | 151 | 018325 | 207 |
| 017753 | 9 | 017869 | 151 | 018328 | 207 |
| 017756 | 73 | 017870 | 151 | 018329 | 207 |
| 017759 | 9 | 017871 | 151 | 018331 | 207 |
| 017760 | 157 | 017872 | 151 | 018334 | 207 |
| 017761 | 7, 9 | 017873 | 151 | 018340 | 207 |
| 017762 | 5 | 017874 | 5 | 018341 | 207 |
| 017768 | 157 | 017875 | 153 | 018342 | 189 |
| 017775 | 157 | 017876 | 9 | 018350 | 57 |
| 017778 | 129 | 017877 | 73 | 018353 | 57 |
| 017779 | 129 | 017878 | 169 | 018357 | 57 |
| 017780 | 127 | 017879 | 155 | 018358 | 57 |
| 017782 | 129 | 017880 | 169 | 018360 | 57 |
| 017783 | 105 | 017951 | 129 | 018362 | 57 |
| 017785 | 189 | 017952 | 129 | 018364 | 57 |
| 017786 | 189 | 017989 | 45 | 018366 | 57, 59 |
| 017788 | 59 | 017990 | 45 | 018368 | 57 |
| 017793 | 75 | 017995 | 205 | 018383 | 57, 59 |
| 017797 | 9, 221 | 017996 | 57, 75 | 018385 | 151 |
| 017799 | 9, 221 | 017997 | 155 | 018391 | 129, 145 |
| 017803 | 105 | 017998 | 165, 169, 171 | 018392 | 129 |
| 017806 | 103 | 017999 | 155 | 018393 | 129 |
| 017807 | 185 | 018014 | 117 | 018394 | 129 |
| 017808 | 5 | 018062 | 71, 73 | 018398 | 129 |
| 017809 | 17 | 018092 | 137 | 018401 | 129 |
| 017810 | 155 | 018177 | 7 | 018402 | 113 |
| 017811 | 9 | 018178 | 7 | 018403 | 129 |
| 017815 | 89 | 018179 | 7 | 018404 | 57 |
| 017816 | 89 | 018186 | 137 | 018405 | 79 |
| 017818 | 217 | 018190 | 7 | 018428 | 5 |
| 017819 | 71, 73 | 018192 | 21 | 018437 | 215 |
| 017820 | 23 | 018195 | 135, 137 | 018438 | 215 |
| 017821 | 127 | 018200 | 7 | 018439 | 215 |
| 017822 | 127 | 018209 | 107 | 018440 | 215 |

Parts Catalog

| Part No. | Page No. | Part No. | Page No. | Part No. | Page No. |
|----------|------------------------------|----------|-------------------------|----------|--------------------------|
| 018441 | 215 | 173, 227 | | 061452 | 93, 133 |
| 018466 | 5 | 021268 | 75 | 063087 | 41 |
| 018469 | 81 | 021369 | 197, 199 | 063206 | 41 |
| 018490 | 151 | 021563 | 107 | 064086 | 11 |
| 018491 | 151 | 021861 | 41, 75 | 064112 | 131 |
| 018506 | 19 | 021911 | 75, 163 | 064189 | 25 |
| 018507 | 211 | 022343 | 71, 73 | 064234 | 71, 73, 131 |
| 018508 | 211 | 022621 | 11 | 064587 | 191 |
| 018510 | 213 | 022843 | 93 | 064589 | 71, 73 |
| 018511 | 213 | 024248 | 161 | 064590 | 105, 227 |
| 018513 | 205 | 024642 | 185 | 064673 | 99, 143 |
| 018514 | 205 | 025431 | 165 | 065402 | 29, 31, 71, 73 |
| 018515 | 213 | 025658 | 229, 231 | 065833 | 35 |
| 018516 | 205 | 025659 | 211 | 066238 | 11 |
| 018517 | 205 | 025667 | 19 | 066763 | 189 |
| 018520 | 5 | 025683 | 9 | 070125 | 27 |
| 018521 | 5 | 027071 | 129 | 070226 | 85 |
| 018523 | 149 | 027123 | 55 | 071181 | 55 |
| 018526 | 5 | 027291 | 13, 15, 29 | 071398 | 83 |
| 018527 | 5 | 027594 | 123 | 071504 | 115 |
| 018529 | 159 | 037060 | 107 | 071505 | 115 |
| 018532 | 149 | 039642 | 31, 49, 51, 59, 69, 81, | 071556 | 111 |
| 018533 | 149 | | 103, 123, 163, 171, 211 | 071561 | 99 |
| 018534 | 23 | 040782 | 27 | 071566 | 27 |
| 018538 | 149 | 040868 | 23 | 071567 | 27 |
| 018542 | 41 | 041291 | 55, 121 | 071570 | 125 |
| 018543 | 27 | 041695 | 83 | 071576 | 159, 161, 195 |
| 018544 | 23 | 041750 | 179 | 071594 | 53 |
| 018545 | 149 | 041774 | 95, 99, 227 | 071596 | 71, 73 |
| 018553 | 119 | 041776 | 111, 175, 177 | 071598 | 71 |
| 018558 | 93 | 041777 | 77, 105, 121 | 071601 | 71 |
| 018571 | 165 | 042135 | 91 | 071603 | 71 |
| 018575 | 81 | 043097 | 27 | 071606 | 71, 73 |
| 018577 | 81 | 043106 | 191 | 071610 | 71, 73, 107 |
| 018580 | 81 | 050435 | 111 | 071611 | 71, 73 |
| 018592 | 27 | 050508 | 191 | 071625 | 127 |
| 018593 | 63 | 050621 | 133, 187 | 071648 | 53 |
| 018594 | 63 | 052187 | 205 | 071649 | 53 |
| 018595 | 63 | 054147 | 101, 105 | 072024 | 159 |
| 018596 | 63 | 054350 | 191, 193 | 072029 | 159 |
| 018599 | 63 | 054388 | 165, 167 | 072035 | 161, 195 |
| 018602 | 63 | 054402 | 157 | 072036 | 195 |
| 018603 | 63 | 054403 | 5 | 072037 | 159 |
| 018604 | 63 | 054409 | 45 | 072038 | 77 |
| 018620 | 9 | 054479 | 165 | 072040 | 77 |
| 018623 | 63 | 055535 | 53 | 072041 | 161 |
| 018624 | 63 | 057507 | 27 | 072044 | 159 |
| 020444 | 97 | 058552 | 131 | 072051 | 21, 127 |
| 021095 | 157 | 059018 | 205 | 072052 | 23, 27, 41, 59, 95, 119, |
| 021150 | 27 | 059717 | 137, 155 | | 123, 171, 211, 227 |
| 021203 | 27, 45, 53, 63, 77, 95, 125, | 060012 | 131 | 072055 | 101 |

Parts Catalog

| Part No. | Page No. | Part No. | Page No. | Part No. | Page No. |
|----------|--------------|----------|--------------|----------|----------------------|
| 072056 | 101 | 072258 | 15 | 072441 | 85 |
| 072063 | 159 | 072260 | 165 | 072442 | 77, 91, 99, 117, 125 |
| 072064 | 159 | 072261 | 165, 167 | 072471 | 105 |
| 072069 | 159 | 072262 | 165 | 072472 | 105 |
| 072070 | 159 | 072264 | 165 | 072478 | 119 |
| 072077 | 161, 195 | 072265 | 165, 167 | 072481 | 119 |
| 072090 | 111 | 072271 | 49, 51 | 072482 | 103, 119 |
| 072099 | 113, 115 | 072272 | 49, 51 | 072484 | 121 |
| 072106 | 113, 115 | 072277 | 51 | 072488 | 103 |
| 072110 | 115 | 072278 | 51 | 072491 | 103 |
| 072124 | 111 | 072292 | 3 | 072504 | 105 |
| 072125 | 111 | 072314 | 131 | 072511 | 3, 77, 119 |
| 072126 | 111 | 072325 | 131 | 072512 | 105 |
| 072129 | 77, 97 | 072327 | 131 | 072531 | 95, 227 |
| 072134 | 113, 115 | 072328 | 131 | 072534 | 109 |
| 072136 | 113, 115 | 072333 | 127, 131 | 072537 | 95 |
| 072143 | 113, 115 | 072336 | 127 | 072544 | 11, 105 |
| 072146 | 97 | 072337 | 127 | 072561 | 121 |
| 072147 | 97 | 072338 | 127 | 072568 | 105 |
| 072149 | 97 | 072347 | 133 | 072574 | 161 |
| 072151 | 97 | 072349 | 75 | 072575 | 161 |
| 072152 | 97 | 072354 | 99 | 072576 | 105 |
| 072154 | 111, 229 | 072357 | 77, 99 | 072579 | 105 |
| 072159 | 115 | 072358 | 77, 99 | 072580 | 105 |
| 072160 | 115 | 072362 | 99 | 072581 | 105 |
| 072161 | 165, 167 | 072366 | 85 | 072586 | 105 |
| 072169 | 89 | 072367 | 77, 85, 99 | 072589 | 105 |
| 072175 | 103, 109 | 072368 | 99 | 072599 | 161 |
| 072176 | 11, 103, 109 | 072369 | 77 | 072605 | 127 |
| 072177 | 109 | 072370 | 77 | 072610 | 121 |
| 072181 | 127 | 072373 | 77 | 072620 | 57, 105 |
| 072184 | 131 | 072375 | 97 | 072621 | 105 |
| 072186 | 103 | 072378 | 97, 99 | 072625 | 45, 173 |
| 072189 | 109 | 072379 | 97 | 072626 | 121 |
| 072197 | 3 | 072382 | 103 | 072628 | 131 |
| 072199 | 103 | 072383 | 103 | 072629 | 131 |
| 072201 | 103 | 072386 | 77 | 072631 | 105 |
| 072205 | 103 | 072388 | 77 | 072636 | 161, 197 |
| 072207 | 103 | 072389 | 75 | 072641 | 123 |
| 072210 | 109 | 072394 | 67 | 072647 | 123 |
| 072219 | 169 | 072411 | 55 | 072650 | 123 |
| 072220 | 111 | 072412 | 99, 125, 143 | 072653 | 169 |
| 072222 | 5 | 072413 | 99 | 072658 | 169 |
| 072230 | 109 | 072414 | 95 | 072661 | 169 |
| 072233 | 109 | 072416 | 67 | 072668 | 83 |
| 072239 | 91 | 072422 | 117 | 072669 | 83 |
| 072243 | 109 | 072424 | 75 | 072675 | 83 |
| 072245 | 117 | 072426 | 95 | 072680 | 83 |
| 072254 | 125 | 072427 | 103 | 072704 | 125 |
| 072256 | 125, 163 | 072429 | 95 | 072710 | 117 |
| 072257 | 163 | 072440 | 95, 229 | 072712 | 117 |

Parts Catalog

| Part No. | Page No. | Part No. | Page No. | Part No. | Page No. |
|----------|--------------|----------|----------|----------|-------------|
| 072717 | 117 | 073248 | 27 | 073594 | 173 |
| 072720 | 117 | 073250 | 27 | 073634 | 169 |
| 072734 | 125 | 073252 | 27 | 073661 | 165 |
| 072741 | 163 | 073308 | 23 | 073679 | 165 |
| 072748 | 117 | 073316 | 49, 51 | 073712 | 113, 115 |
| 072756 | 11 | 073325 | 97, 107 | 073777 | 189 |
| 072757 | 11 | 073326 | 97 | 073894 | 47 |
| 072763 | 11 | 073327 | 49, 51 | 073939 | 175 |
| 072765 | 11 | 073333 | 103 | 074323 | 75 |
| 072767 | 11 | 073338 | 49 | 074324 | 73 |
| 072774 | 11 | 073339 | 39 | 074400 | 111 |
| 072775 | 11 | 073373 | 105 | 074507 | 115 |
| 072784 | 11 | 073381 | 105 | 074508 | 115 |
| 072790 | 11, 103, 109 | 073385 | 3 | 074638 | 169 |
| 072795 | 11 | 073394 | 3 | 074717 | 21 |
| 072796 | 11 | 073417 | 165, 167 | 074915 | 107 |
| 072820 | 165 | 073443 | 51 | 075537 | 71, 73, 107 |
| 072821 | 165 | 073444 | 49 | 075555 | 107 |
| 072822 | 165, 167 | 073445 | 51 | 075566 | 107 |
| 072826 | 165, 167 | 073446 | 49 | 075567 | 107 |
| 072838 | 165 | 073459 | 133 | 075643 | 75 |
| 072840 | 165 | 073467 | 3 | 075644 | 71, 73 |
| 072852 | 165, 167 | 073469 | 3 | 075833 | 107 |
| 072854 | 165 | 073472 | 3 | 075834 | 107 |
| 072855 | 165, 167 | 073473 | 159 | 075836 | 105, 107 |
| 072919 | 165 | 073478 | 117 | 075839 | 107 |
| 072920 | 165, 167 | 073482 | 47 | 075883 | 3 |
| 072953 | 27 | 073486 | 117 | 075884 | 3 |
| 073004 | 39 | 073488 | 83 | 075885 | 3 |
| 073011 | 37 | 073493 | 125 | 075887 | 3 |
| 073012 | 37 | 073494 | 125 | 075888 | 3 |
| 073014 | 37 | 073496 | 125 | 075890 | 3 |
| 073029 | 53 | 073497 | 125 | 075910 | 165 |
| 073043 | 47 | 073498 | 125 | 075916 | 169 |
| 073059 | 45 | 073506 | 127 | 075931 | 47 |
| 073064 | 179 | 073512 | 55, 57 | 076031 | 55 |
| 073078 | 55 | 073524 | 75 | 076070 | 43 |
| 073091 | 45 | 073540 | 23 | 076083 | 79 |
| 073094 | 45 | 073542 | 23 | 076100 | 85 |
| 073097 | 49, 51 | 073544 | 17, 21 | 076142 | 125, 163 |
| 073098 | 49, 51 | 073551 | 69, 89 | 076194 | 37 |
| 073107 | 45, 71, 73 | 073576 | 173 | 076200 | 185 |
| 073108 | 39 | 073577 | 173 | 076203 | 83 |
| 073116 | 39 | 073578 | 173 | 076206 | 169 |
| 073120 | 45 | 073583 | 173 | 076218 | 47 |
| 073123 | 45 | 073587 | 173 | 076386 | 53 |
| 073140 | 75 | 073588 | 173 | 076481 | 49, 51 |
| 073152 | 39 | 073589 | 173, 175 | 076500 | 185 |
| 073193 | 37 | 073590 | 173, 175 | 076512 | 185 |
| 073234 | 39 | 073591 | 173 | 076605 | 103 |
| 073246 | 27 | 073593 | 173 | 076655 | 185 |

Parts Catalog

| Part No. | Page No. | Part No. | Page No. | Part No. | Page No. |
|----------|---------------|----------|----------|----------|------------|
| 076684 | 133 | 078363 | 93, 133 | 078744 | 85, 103 |
| 076698 | 71 | 078364 | 133 | 078745 | 71, 73 |
| 076702 | 71 | 078367 | 133 | 078830 | 159 |
| 076704 | 95, 227 | 078368 | 133 | 078831 | 159 |
| 076709 | 95, 227 | 078417 | 111 | 078975 | 35, 227 |
| 076711 | 95, 227 | 078445 | 127 | 079073 | 169, 171 |
| 076727 | 45 | 078449 | 211 | 079074 | 169 |
| 076734 | 59 | 078450 | 127 | 079075 | 59 |
| 076735 | 123 | 078456 | 191 | 079087 | 135 |
| 076737 | 123 | 078460 | 191 | 079090 | 135 |
| 076738 | 123 | 078463 | 191 | 079093 | 135, 139 |
| 076739 | 123 | 078464 | 185 | 079097 | 135, 139 |
| 076740 | 123 | 078466 | 191 | 079099 | 137, 139 |
| 076742 | 123 | 078467 | 191 | 079607 | 169 |
| 076825 | 75 | 078479 | 211 | 079609 | 135 |
| 076835 | 17, 21, 29 | 078485 | 179 | 079613 | 135, 153 |
| 076836 | 17 | 078489 | 175 | 079615 | 137 |
| 076842 | 101 | 078492 | 131 | 079616 | 137, 153 |
| 076856 | 81 | 078497 | 211 | 079618 | 135 |
| 076864 | 145, 147, 211 | 078498 | 211 | 079862 | 75 |
| 076869 | 17, 21 | 078499 | 211 | 079863 | 75 |
| 076873 | 135 | 078520 | 79, 85 | 079866 | 83 |
| 076874 | 135 | 078524 | 79 | 079868 | 83 |
| 076879 | 205 | 078527 | 79 | 079871 | 83 |
| 076881 | 205 | 078532 | 79 | 079872 | 83 |
| 076887 | 3 | 078541 | 81 | 079905 | 47 |
| 076889 | 3 | 078542 | 81 | 079912 | 45 |
| 076890 | 3 | 078551 | 79 | 079913 | 55 |
| 076893 | 3 | 078552 | 81 | 080028 | 7 |
| 076894 | 117 | 078556 | 81 | 080032 | 119 |
| 076897 | 17, 19, 29 | 078580 | 83 | 080132 | 59 |
| 076898 | 17, 21 | 078584 | 135 | 080144 | 105 |
| 077117 | 133 | 078585 | 135 | 080153 | 103 |
| 077233 | 83 | 078626 | 41 | 080173 | 35 |
| 077234 | 83 | 078628 | 41 | 080184 | 121 |
| 077236 | 133 | 078632 | 17 | 080191 | 83 |
| 077237 | 83 | 078638 | 41 | 080192 | 131 |
| 077301 | 69, 89 | 078639 | 43, 45 | 080195 | 131 |
| 077329 | 83 | 078641 | 43 | 080199 | 127 |
| 077426 | 55, 57 | 078646 | 41 | 080204 | 105 |
| 077459 | 45 | 078660 | 41, 75 | 080238 | 63 |
| 077552 | 21 | 078663 | 169 | 080247 | 83 |
| 077836 | 63, 69, 89 | 078668 | 43 | 080263 | 35, 37, 43 |
| 077866 | 133 | 078669 | 41 | 080293 | 37 |
| 078301 | 111 | 078671 | 43 | 080295 | 37 |
| 078337 | 69 | 078672 | 43 | 080297 | 39 |
| 078338 | 69 | 078712 | 85 | 080298 | 39 |
| 078343 | 13 | 078714 | 79 | 080299 | 39 |
| 078346 | 67 | 078728 | 87 | 080300 | 39 |
| 078347 | 13 | 078729 | 85 | 080312 | 35 |
| 078348 | 13, 15 | 078737 | 173 | 080317 | 39 |

Parts Catalog

| Part No. | Page No. | Part No. | Page No. | Part No. | Page No. |
|----------|------------|----------|-------------------------|----------|---------------|
| 080334 | 161 | 080698 | 35, 37, 43 | 081620 | 175 |
| 080336 | 161 | 080699 | 35, 37, 43 | 081622 | 181 |
| 080337 | 161 | 080715 | 67 | 081623 | 181, 183 |
| 080349 | 47 | 080718 | 79 | 081625 | 185 |
| 080376 | 127 | 080719 | 81 | 081629 | 201 |
| 080378 | 127 | 080814 | 65, 85 | 081630 | 201 |
| 080396 | 119 | 080820 | 65, 67 | 081631 | 201 |
| 080397 | 119 | 080910 | 65 | 081632 | 201 |
| 080400 | 119 | 080911 | 67 | 081637 | 201 |
| 080402 | 119 | 080956 | 67 | 081654 | 181 |
| 080404 | 119 | 080972 | 67 | 081656 | 181 |
| 080407 | 121 | 080979 | 25 | 081660 | 181 |
| 080408 | 121 | 081037 | 87 | 081663 | 175 |
| 080409 | 119 | 081104 | 85 | 081664 | 175 |
| 080411 | 113, 115 | 081106 | 85 | 081665 | 175 |
| 080414 | 127 | 081107 | 187 | 081677 | 185, 205 |
| 080420 | 121 | 081151 | 39 | 081683 | 185 |
| 080433 | 47 | 081152 | 119 | 081684 | 185 |
| 080447 | 67, 87 | 081178 | 43 | 081695 | 185 |
| 080448 | 69, 89 | 081337 | 185 | 081697 | 181 |
| 080449 | 69, 89 | 081515 | 213, 215 | 081699 | 177, 185 |
| 080452 | 69, 89 | 081516 | 213, 215 | 081704 | 191 |
| 080473 | 47 | 081526 | 181 | 081709 | 195 |
| 080481 | 163 | 081527 | 181, 183 | 081712 | 195 |
| 080486 | 87 | 081528 | 181, 183 | 081714 | 195 |
| 080495 | 87 | 081539 | 197 | 081720 | 195 |
| 080496 | 87 | 081541 | 189 | 081725 | 185 |
| 080498 | 87 | 081542 | 189 | 081762 | 179 |
| 080504 | 23 | 081543 | 197 | 081764 | 179 |
| 080505 | 23, 25, 35 | 081544 | 197 | 081765 | 179 |
| 080522 | 83 | 081547 | 197 | 081774 | 205 |
| 080524 | 25 | 081548 | 197 | 081776 | 205 |
| 080536 | 23 | 081550 | 197 | 081788 | 189 |
| 080537 | 27 | 081551 | 197 | 081789 | 171, 185, 193 |
| 080539 | 23 | 081552 | 197 | 081790 | 185 |
| 080541 | 23 | 081553 | 183, 197, 199, 203, 209 | 081822 | 211 |
| 080564 | 179 | 081561 | 191 | 081824 | 211 |
| 080581 | 23 | 081565 | 197 | 081833 | 197, 199 |
| 080591 | 23, 25, 35 | 081567 | 197, 199 | 081836 | 181, 183 |
| 080599 | 25 | 081569 | 197 | 081841 | 213 |
| 080614 | 37 | 081574 | 197 | 081848 | 205 |
| 080615 | 37 | 081575 | 197, 199 | 081849 | 205 |
| 080616 | 37 | 081579 | 197 | 081850 | 205 |
| 080617 | 37 | 081583 | 191 | 081851 | 201 |
| 080619 | 37 | 081594 | 191 | 081852 | 201 |
| 080621 | 87 | 081597 | 191, 193 | 081855 | 185 |
| 080634 | 59 | 081604 | 197, 199 | 081856 | 185 |
| 080688 | 39 | 081606 | 197 | 081857 | 175 |
| 080689 | 39 | 081607 | 161, 197 | 081885 | 179 |
| 080694 | 35, 37, 43 | 081609 | 195, 197, 199 | 082013 | 175 |
| 080695 | 35, 37, 43 | 081611 | 197 | 082034 | 169 |

Parts Catalog

| Part No. | Page No. | Part No. | Page No. | Part No. | Page No. |
|----------|----------|----------|----------------------|-------------------|-----------------|
| 082035 | 169 | 084407 | 71, 73 | 100508 | 81 |
| 082050 | 25 | 084412 | 37 | 100520 | 135 |
| 082057 | 67 | 084413 | 37 | 100521 | 187 |
| 082103 | 79 | 084421 | 45 | 100523 | 213, 215 |
| 082128 | 85 | 084422 | 45 | 100529 | 9 |
| 082129 | 87 | 084468 | 169 | 100539 | 207 |
| 082131 | 85 | 084473 | 159 | 100554 | 97, 111 |
| 082135 | 85 | 087266 | 159 | 100576 | 47 |
| 082171 | 79 | 087340 | 169 | 100579 | 3 |
| 082302 | 135 | 087496 | 39 | 100582 | 29 |
| 082421 | 41 | 087497 | 39 | 100583 | 3 |
| 083313 | 67 | 087702 | 211 | 100585 | 107, 213 |
| 083463 | 35 | 087703 | 211 | 100586 | 213 |
| 083481 | 35 | 087705 | 211, 229 | 100587 | 213 |
| 083483 | 31 | 087755 | 93 | 100593 | 213 |
| 083489 | 35 | 087756 | 143 | 100646 | 83 |
| 083498 | 35 | 087800 | 5 | 100653 | 41, 65 |
| 083506 | 31 | 087802 | 7 | 100657 | 17, 21, 73, 137 |
| 083519 | 35 | 087804 | 5 | 100666 | 187 |
| 083521 | 35 | 096244 | 123 | 100678 | 113, 157, 229 |
| 083547 | 37 | 100107 | 213 | 100684 | 153, 155 |
| 083548 | 37 | 100115 | 17 | 100701 | 111 |
| 083549 | 37 | 100119 | 159 | 100716 | 147 |
| 083550 | 37 | 100130 | 85 | 100731 | 187 |
| 083555 | 31 | 100131 | 15, 67 | 100740 | 91, 93, 225 |
| 083556 | 31 | 100134 | 143, 145, 147 | 100741 | 51 |
| 083557 | 31 | 100137 | 143 | 100814 | 41 |
| 083558 | 33 | 100141 | 67 | 100815 | 41 |
| 083559 | 33 | 100144 | 31 | 100827 | 71, 73 |
| 083561 | 33, 35 | 100167 | 31, 65 | 100835 | 31 |
| 083562 | 33 | 100172 | 61 | 100863 | 59 |
| 083563 | 33 | 100177 | 3 | 100871 | 213, 215 |
| 083564 | 33 | 100185 | 83 | 100891 | 77, 99 |
| 083565 | 35 | 100201 | 65 | 100958 | 185 |
| 083566 | 31 | 100222 | 127 | 100960 | 187 |
| 083567 | 35 | 100228 | 9, 95, 129, 221, 229 | 100961 | 21, 29 |
| 083572 | 33 | 100296 | 87 | 100962 | 35 |
| 083578 | 33 | 100334 | 55 | 100966 | 161 |
| 083579 | 33 | 100343 | 175 | 100969 | 53, 187, 209 |
| 083597 | 35 | 100345 | 107 | 100976 | 179 |
| 083609 | 31 | 100347 | 157 | 101005 | 133 |
| 083610 | 31 | 100352 | 185 | 101023 | 203 |
| 083611 | 33 | 100366 | 207, 209 | 101033 | 51 |
| 083706 | 33 | 100367 | 205 | 101051 | 39, 69, 89 |
| 083707 | 35 | 100388 | 133 | 101063 | 191 |
| 083786 | 35 | 100392 | 81 | 101144 | 211 |
| 084071 | 11 | 100398 | 133 | 101145 | 211 |
| 084092 | 109 | 100450 | 35 | 101151 | 153 |
| 084248 | 117 | 100483 | 113 | 101162 | 135 |
| 084289 | 75 | 100485 | 5 | 101165 | 145 |
| 084291 | 75 | 100490 | 91, 93, 225 | 101170 | 171 |

Parts Catalog

| Part No. | Page No. | Part No. | Page No. | Part No. | Page No. |
|----------|--|----------|--|----------|--------------------------------|
| 101216 | 129 | 111053 | 13, 45 | 150087 | 169, 171, 213, 215 |
| 101281 | 195 | 111054 | 9, 17, 21, 29, 75, 97, 99, 137, 157, 177, 187, 189, 193, 227 | 150088 | 131 |
| 101331 | 83 | 111055 | 3, 47, 55, 79, 81, 83, 117, 127, 131, 177, 209 | 150089 | 67, 75, 87, 103, 121, 131, 189 |
| 101332 | 45 | 111056 | 95, 171 | 154078 | 91, 93 |
| 101333 | 127 | 111057 | 29, 79 | 190103 | 27 |
| 101353 | 135 | 111058 | 17, 21, 199 | 190107 | 85 |
| 101366 | 13, 15, 17, 19, 21, 205 | 111059 | 133, 181 | 190110 | 103 |
| 101368 | 155 | 111060 | 17, 21, 183, 207, 209 | 190111 | 85 |
| 101369 | 155 | 111062 | 173 | 190116 | 101 |
| 101398 | 149 | 111068 | 27, 53 | 190118 | 27 |
| 101494 | 21 | 111069 | 165 | 190134 | 181 |
| 101517 | 149 | 111070 | 19, 157 | 190135 | 85 |
| 101550 | 5 | 111071 | 29, 101, 141, 149, 171, 185, 217 | 190137 | 63 |
| 10161 | 227 | 111073 | 5, 25, 33, 37, 39, 81, 95, 111, 157, 159, 163, 165, 215 | 190143 | 175 |
| 101611 | 117 | 111074 | 25, 37, 75, 111, 123 | 190148 | 77 |
| 101612 | 95 | 111075 | 3, 13, 15, 101, 123, 129 | 190149 | 61, 85, 91, 103, 109 |
| 101692 | 107 | 111076 | 39 | 190157 | 181, 183 |
| 101701 | 117 | 111077 | 39, 171 | 190179 | 83 |
| 101759 | 171 | 111079 | 39 | 190220 | 183 |
| 101870 | 25 | 111087 | 33, 171, 177 | 190236 | 79 |
| 101876 | 69 | 111089 | 23, 101, 159, 171 | 190254 | 47 |
| 101899 | 213, 215 | 111091 | 11, 213, 215 | 190266 | 107 |
| 101900 | 213, 215 | 111092 | 169 | 190300 | 213 |
| 101901 | 213, 215 | 111099 | 75 | 190302 | 169 |
| 101913 | 157 | 112515 | 17 | 190304 | 205 |
| 101918 | 179 | 112652 | 7, 9, 197 | 190329 | 63 |
| 101921 | 217 | 114281 | 211 | 190330 | 43 |
| 101922 | 217 | 120032 | 147 | 190382 | 53 |
| 101938 | 187, 195, 203 | 120033 | 211 | 190383 | 53 |
| 101941 | 211 | 122502 | 113 | 190387 | 37 |
| 101942 | 211 | 130033 | 127, 129 | 190395 | 95, 227 |
| 101943 | 215 | 141573 | 89 <i>146831 - 71, 73</i> | 190398 | 165, 167 |
| 101944 | 15, 19, 29, 207, 209 | 149319 | 193 | 190483 | 91, 93, 225 |
| 101947 | 183 | 149344 | 111 | 190555 | 145, 157, 207, 229 |
| 101961 | 207 | 149385 | 161 | 190631 | 71 |
| 101976 | 21 | 150080 | 15, 19, 21, 183 | 190699 | 217 |
| 101979 | 135 | 150081 | 7, 9, 101, 141, 207, 211, 229 | 190713 | 99, 109 |
| 101983 | 19, 31, 207 | 150083 | 17, 21, 29, 45, 55, 75, 79, 81, 83, 95, 99, 103, 117, 119, 125, 127, 131, 141, 177, 183, 187, 193, 207, 209 | 190725 | 171 |
| 102282 | 167 | 150084 | 123, 189 | 190731 | 21, 29, 207 |
| 110002 | 143 | 150085 | 3, 13, 15, 19, 21, 25, 27, 29, 33, 37, 39, 41, 43, 45, 51, 55, 69, 75, 77, 89, 91, 95, 97, 99, 101, 103, 105, 109, 117, 119, 125, 133, 159, 165, 171, 217, 227 | 190768 | 89 |
| 110073 | 17, 21 | | | 191034 | 71, 73 |
| 110113 | 95, 229 | | | 191289 | 47 |
| 110114 | 221 | | | 191297 | 11 |
| 111006 | 145, 207 | | | 191308 | 113, 115 |
| 111033 | 7, 31, 99, 227 | | | 191360 | 85 |
| 111034 | 141, 143, 145, 147, 151, 153, 155, 223 | | | 191361 | 85 |
| 111035 | 109, 207, 211, 229 | | | 191367 | 117 |
| 111036 | 101 | | | 191384 | 27 |
| 111051 | 55, 57, 107 | | | 191401 | 85 |
| 111052 | 35, 185, 187, 197, 203, 209 | | | 191427 | 75 |

Parts Catalog

| Part No. | Page No. | Part No. | Page No. | Part No. | Page No. |
|----------|-----------------|----------|---------------|----------|---------------------|
| 191428 | 75 | 194801 | 83 | 196117 | 137, 139 |
| 191463 | 227 | 194804 | 85 | 196118 | 135, 139 |
| 191473 | 163 | 194805 | 121 | 196121 | 137, 139 |
| 191481 | 83 | 194807 | 67 | 196123 | 171 |
| 191586 | 23, 33 | 194808 | 67 | 196124 | 171 |
| 191782 | 101 | 194823 | 75 | 196140 | 17, 19, 21, 205 |
| 191826 | 129 | 194835 | 161, 195 | 196171 | 3 |
| 191844 | 125 | 194836 | 189 | 196219 | 59 |
| 191934 | 71, 73 | 194847 | 13, 15 | 196221 | 83 |
| 191935 | 71 | 194849 | 71 | 196222 | 5 |
| 191939 | 71, 73, 107 | 194868 | 105 | 196230 | 137, 139 |
| 191950 | 169 | 194897 | 3 | 196231 | 3 |
| 191978 | 7 | 195086 | 25 | 196233 | 91 |
| 192029 | 59 | 195087 | 25 | 196235 | 99 |
| 192035 | 91, 105 | 195088 | 83 | 196236 | 99 |
| 192073 | 33 | 195149 | 165 | 196237 | 99 |
| 192142 | 3 | 195177 | 165 | 196239 | 127, 129 |
| 192152 | 51, 59 | 195195 | 169 | 196240 | 127, 129 |
| 192181 | 109 | 195196 | 169 | 196244 | 171, 211 |
| 192202 | 105 | 195197 | 163 | 196246 | 31, 49, 51, 69, 163 |
| 192273 | 127 | 195236 | 171 | 196247 | 103 |
| 192323 | 77, 99 | 195238 | 171 | 196248 | 59, 81 |
| 192731 | 207 | 195296 | 101, 217, 227 | 196249 | 71, 73 |
| 192763 | 53 | 195322 | 133 | 196258 | 59 |
| 192766 | 39 | 195327 | 3 | 196262 | 9 |
| 192798 | 53 | 195359 | 3, 95 | 196264 | 75 |
| 192855 | 91, 93, 225 | 195367 | 3 | 196273 | 61 |
| 192895 | 97 | 195370 | 83 | 196309 | 31 |
| 192896 | 97 | 195385 | 47 | 196310 | 35 |
| 192900 | 39 | 195396 | 23 | 196327 | 13, 15, 29 |
| 192919 | 63 | 195401 | 37, 203 | 196330 | 143 |
| 192997 | 63 | 195463 | 185 | 196331 | 91 |
| 193007 | 71 | 195645 | 103, 129 | 196333 | 151 |
| 193323 | 69, 89 | 195668 | 169 | 196334 | 89 |
| 193354 | 61 | 195680 | 43 | 196336 | 9 |
| 193549 | 27 | 195681 | 41 | 196343 | 133 |
| 193601 | 41, 73, 75, 101 | 195683 | 43 | 196386 | 177 |
| 193603 | 67 | 195684 | 37 | 196387 | 189 |
| 193606 | 27 | 195686 | 41 | 196388 | 131 |
| 193658 | 91 | 195721 | 67 | 196390 | 215 |
| 193774 | 45 | 195795 | 223 | 196393 | 101 |
| 193778 | 101, 129, 133 | 195837 | 63 | 196396 | 195 |
| 193808 | 101 | 195913 | 157 | 196397 | 187, 195, 203 |
| 193810 | 165 | 195930 | 51 | 196398 | 199 |
| 193823 | 31 | 195932 | 185 | 196399 | 187 |
| 193894 | 125 | 195983 | 93 | 196402 | 199 |
| 193917 | 51 | 196109 | 171 | 196403 | 199 |
| 193982 | 85 | 196110 | 171 | 196405 | 193 |
| 194689 | 13, 15 | 196112 | 171 | 196410 | 183 |
| 194695 | 63 | 196115 | 139 | 196412 | 179 |
| 194800 | 37 | 196116 | 139 | 196420 | 93 |

Parts Catalog

| Part No. | Page No. | Part No. | Page No. | Part No. | Page No. |
|----------|------------------------------|----------|--|----------|-------------------------|
| 196423 | 93, 225 | 250167 | 5 | 252986 | 5 |
| 196424 | 95 | 250200 | 135 | 252989 | 143, 145, 147 |
| 196425 | 63 | 250202 | 113, 141, 143, 145, 147, 153, 187, 211 | 252990 | 147 |
| 196430 | 95, 229 | 250203 | 143, 145, 147 | 252993 | 5, 211 |
| 196443 | 203 | 250204 | 207 | 253002 | 5, 211, 229, 231 |
| 196444 | 203 | 250205 | 127, 145, 155, 211, 223, 229 | 253005 | 137, 155 |
| 196449 | 209 | 250221 | 207 | 253025 | 91, 93, 225, 231 |
| 196450 | 209 | 250256 | 141, 143, 187 | 253029 | 145 |
| 196453 | 203 | 250257 | 141, 143, 187 | 253031 | 5, 211, 229 |
| 196454 | 207, 209 | 250258 | 141, 143, 187 | 253034 | 143 |
| 196461 | 95, 229 | 250259 | 141, 143, 187 | 253035 | 143 |
| 196469 | 109 | 250273 | 143 | 253211 | 15, 19, 21, 29, 31, 207 |
| 196470 | 11 | 250293 | 135, 137, 145, 155 | 253218 | 229, 231 |
| 196471 | 95, 229 | 250493 | 147 | 253219 | 231 |
| 196473 | 179 | 250505 | 151 | 253238 | 137, 225 |
| 196475 | 35, 37, 43 | 250552 | 129 | 253302 | 223 |
| 196607 | 177 | 250612 | 139 | 253327 | 223 |
| 196610 | 163 | 250806 | 143 | 253383 | 227, 231 |
| 196611 | 163 | 250865 | 137, 225 | 253384 | 223, 231 |
| 196612 | 163 | 250915 | 151 | 253386 | 145 |
| 196635 | 207 | 250920 | 139 | 253388 | 231 |
| 196650 | 135 | 250952 | 137, 151 | 253468 | 31 |
| 196662 | 27 | 251089 | 147 | 253511 | 33 |
| 196663 | 27 | 251165 | 139 | 253524 | 227 |
| 196664 | 27 | 251195 | 223 | 253525 | 231 |
| 196666 | 27 | 251220 | 145 | 253526 | 231 |
| 196669 | 85 | 251323 | 139, 143 | 253541 | 33 |
| 196770 | 171 | 251426 | 145, 147 | 253557 | 221 |
| 196771 | 171 | 251508 | 147 | 253618 | 33 |
| 196773 | 83, 171 | 251520 | 137, 143, 157, 217 | 253713 | 33 |
| 196822 | 19 | 251647 | 145 | 253839 | 137 |
| 196823 | 73 | 252439 | 145, 207 | 253853 | 93 |
| 196827 | 165 | 252476 | 135 | 253856 | 137 |
| 197382 | 227 | 252477 | 135 | 253857 | 153 |
| 197383 | 227 | 252527 | 129, 145 | 254337 | 223 |
| 200049 | 147 | 252528 | 129, 145 | 254347 | 223 |
| 200347 | 147 | 252537 | 135, 137, 153 | 254348 | 223 |
| 250030 | 207 | 252539 | 137, 153 | 254349 | 223 |
| 250051 | 135, 137, 153 | 252781 | 151 | 254350 | 223 |
| 250058 | 139 | 252785 | 129 | 254352 | 231 |
| 250059 | 139 | 252793 | 129, 145 | 254353 | 231 |
| 250061 | 143, 231 | 252796 | 9 | 254355 | 231 |
| 250062 | 139, 145, 147, 207 | 252802 | 9 | 254357 | 231 |
| 250072 | 139, 145 | 252818 | 153 | 275000 | 135, 137 |
| 250077 | 139, 143, 145, 147, 187, 211 | 252819 | 153 | 275005 | 143, 147 |
| 250079 | 139 | 252823 | 129 | 296421 | 93 |
| 250093 | 139, 229 | 252824 | 99, 109 | 400525 | 83 |
| 250097 | 139 | 252829 | 153 | 400543 | 23 |
| 250098 | 145 | 252838 | 135, 153 | 400578 | 195 |
| 250137 | 207 | 252841 | 157 | 400579 | 195 |
| | | | | 400613 | 157 |

Parts Catalog

| Part No. | Page No. | Part No. | Page No. |
|----------|----------|----------|----------|
| 400615 | 5 | | |
| 400641 | 157 | | |
| 400867 | 223 | | |
| 401902 | 227 | | |
| 401905 | 227 | | |
| 401907 | 227 | | |
| 401909 | 227 | | |
| 401913 | 223 | | |
| 401914 | 223 | | |
| 401916 | 225 | | |
| 401917 | 225 | | |
| 401918 | 225 | | |
| 401919 | 221 | | |
| 401920 | 221 | | |
| 401921 | 229 | | |
| 401922 | 221 | | |
| 401925 | 227 | | |
| 401926 | 221 | | |
| 401927 | 221 | | |
| 401928 | 223 | | |
| 401929 | 229 | | |
| 401930 | 223 | | |
| 401932 | 227 | | |
| 401933 | 227 | | |
| 401950 | 221 | | |
| 401951 | 221 | | |
| 401952 | 221 | | |
| 401953 | 231 | | |
| 401955 | 231 | | |
| 401957 | 231 | | |
| 401960 | 223, 231 | | |
| 401961 | 223, 231 | | |
| 401962 | 223 | | |
| 401963 | 231 | | |
| 401964 | 231 | | |
| 401965 | 231 | | |
| 401966 | 231 | | |
| 401967 | 229, 231 | | |
| 401969 | 227, 231 | | |
| 401970 | 221 | | |
| 401971 | 221 | | |
| 401972 | 223 | | |
| 401973 | 221 | | |
| 401984 | 229 | 401995 | 171 |
| 402300 | 167 | | |
| 402400 | 167 | | |
| 970205 | 117 | | |
| 990520 | 127 | | |

A.B. Dick Company
5700 West Touhy Ave.
Niles, IL 60714-4690
(847) 779-1900

ABDICK.