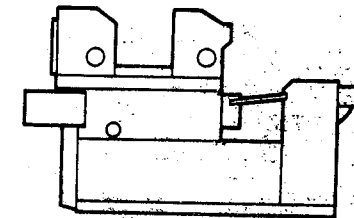


SMALL OFFSET PRESS

C48 - C248 SERIES



PARTS CATALOG

(1st-REVISION)



HAMADA PRINTING PRESS CO., LTD.

How to use Parts Catalog

1. Find the parts you need in the illustrations and get their code numbers and descriptions in this parts catalog. Your order must show: ① index numbers, ② code numbers, and ③ quantities required.

For structural accuracy, we supply certain parts already assembled into larger unit components instead of supplying basic members individually.

2. Some of the parts are for use in β Series only and some are not. Parts of β Series are shown in the catalog as follows.

(Example)

7201-03008	7201 = Group symbol
	03 = Sub-division
	008 = Parts code
7201-03008A	A = Assembly

3. The parts which are not exclusive to HAMADA Series but used in our all other presses (high speed rotary letterpresses, web offset, etc.) are shown as follows:

(Example)

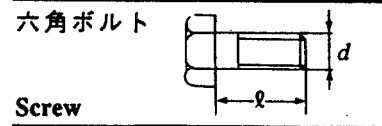
101-366	101 = Hexagonal bolt
	366 = 6mm dia. 16mm long

4. This parts catalog is designed for use of all C Series Presses (C48, C248, C48-SF, C248-SF) and quantities of parts needed for respective presses can be found as per Units per Assembly.
5. This parts catalog has 7 groups, which are composed of the parts exclusively used on β Series and the parts (H. M. I. G. F. A. X. R. B. U. CK. KC. PC.) interchangeably used on other Hamada Series Presses.

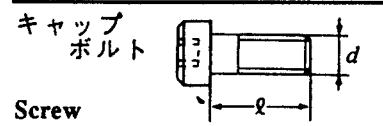
7201 Group	Feed Section (C48, C248)
7202 Group	Press Section, Drive Section
7203 Group	Ink Section, Dampening Section, Blanket Cleaner
7204 Group	Delivery Section
7205 Group	Covers
7213 Group	Feed Section (C48-SF, C248-SF)
E Group	Electric Section

6. The exploded views contained in the Catalog will help understanding of mechanism and will be found useful in making simple repair.
7. Subject to change without prior notice.

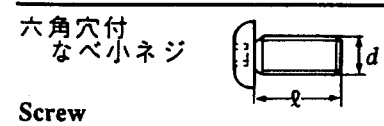
規格部品リスト
STANDARD STOCK PARTS NO.



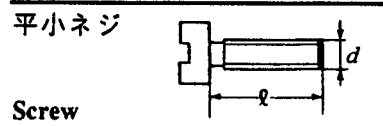
	$d \times l$
101-362	M 6 × 12
101-366	M 6 × 16
101-370	M 6 × 20
101-382.5	M 6 × 40
101-408	M 4 × 8
101-430	M 4 × 30
101-466	M 8 × 16
101-470	M 8 × 20
101-472	M 8 × 22
101-475	M 8 × 25
101-475T	M 8 × 25
101-480	M 8 × 30
101-480T	M 8 × 30
101-481	M 8 × 35
101-512	M 5 × 12
101-512.01	M 5 × 12
101-516	M 5 × 16
101-520T	M 5 × 20
101-525	M 5 × 25
101-525.5	M 5 × 25
101-530	M 5 × 30
101-531	M 5 × 35
101-531.01	M 5 × 35
101-532.01	M 5 × 40
101-560	M10 × 20
101-565	M10 × 25
101-565T	M10 × 25
101-570	M10 × 30



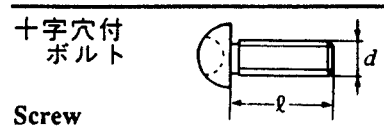
	$d \times l$
117-305	M 3 × 5
117-308	M 3 × 8
117-358.01	M 6 × 8
117-360	M 6 × 10
117-362	M 6 × 12
117-365	M 6 × 15
117-365.01	M 6 × 15
117-368	M 6 × 18
117-370	M 6 × 20
117-372	M 6 × 22
117-375	M 6 × 25
117-380	M 6 × 30
117-381	M 6 × 35
117-382	M 6 × 40
117-383	M 6 × 45
117-385	M 6 × 55
117-387	M 6 × 65
117-388	M 6 × 70
117-389	M 6 × 75
117-393	M 6 × 100
117-405	M 4 × 5
117-406	M 4 × 6
117-408	M 4 × 8
117-410	M 4 × 10
117-412	M 4 × 12
117-415	M 4 × 15
117-465	M 8 × 15
117-470	M 8 × 20
117-475	M 8 × 25
117-480	M 8 × 30
117-482	M 8 × 40
117-483	M 8 × 45
117-484	M 8 × 50
117-486	M 8 × 60
117-486.5	M 8 × 60
117-487	M 8 × 65
117-508	M 5 × 8
117-510	M 5 × 10
117-512	M 5 × 12
117-512.01	M 5 × 12
117-515	M 5 × 15
117-518	M 5 × 18
117-520	M 5 × 20
117-522	M 5 × 22
117-525	M 5 × 25
117-530	M 5 × 30
117-531	M 5 × 36
117-532	M 5 × 40
117-532.01	M 5 × 40
117-565	M10 × 25
117-571	M10 × 35
117-572	M10 × 40



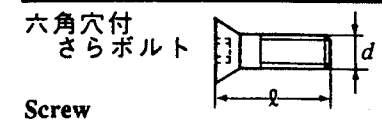
	$d \times l$
125-606	M 3 × 6
125-608	M 3 × 8
125-610	M 3 × 10
125-612	M 3 × 12
125-615	M 3 × 15
125-655	M 4 × 5
125-655.01	M 4 × 5
125-656	M 4 × 6
125-658	M 4 × 8
125-660	M 4 × 10
125-662	M 4 × 12
125-662.01	M 4 × 12
125-665	M 4 × 15
125-668	M 4 × 18
125-680	M 4 × 30
125-706	M 5 × 6
125-708	M 5 × 8
125-710	M 5 × 10
125-710.01	M 5 × 10
125-712	M 5 × 12
125-712.01	M 5 × 12
125-715	M 5 × 15
125-718	M 5 × 18
125-730	M 5 × 30
125-731	M 5 × 35
125-758	M 6 × 8
125-760	M 6 × 10
125-762	M 6 × 12
125-770	M 6 × 20



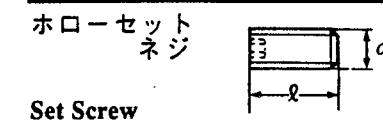
	$d \times l$
111-360	M 6 × 10



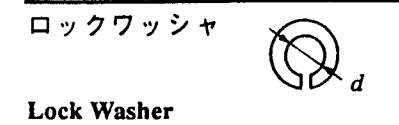
	$d \times l$
125-108	M 4 × 8
125-216	M 6 × 16



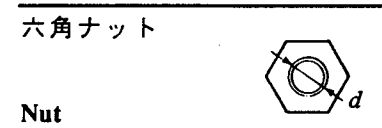
	$d \times l$
122-058	M 4 × 8
122-060	M 4 × 10
122-110	M 5 × 10
122-110.01	M 5 × 10
122-112	M 5 × 12
122-112.01	M 5 × 12
122-115	M 5 × 15
122-125	M 5 × 25
122-130	M 5 × 30
122-133	M 5 × 45
122-165	M 6 × 15
122-165.01	M 6 × 15
122-168	M 6 × 18
122-185	M 6 × 35
122-195	M 6 × 45
122-765	M 8 × 15
122-782	M 8 × 40



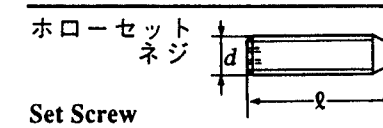
	$d \times l$
145-355	M 6 × 5
145-356	M 6 × 6
145-358	M 6 × 8
145-360	M 6 × 10
145-362	M 6 × 12
145-365	M 6 × 15
145-404	M 4 × 4
145-406	M 4 × 6
145-410	M 4 × 10
145-458	M 8 × 8
145-480	M 8 × 30
145-504	M 5 × 4
145-505	M 5 × 5
145-506	M 5 × 6
145-508	M 5 × 8
145-510	M 5 × 10
145-510.01	M 5 × 10
145-515	M 5 × 15
145-530	M 5 × 30
145-556	M10 × 16
145-570	M10 × 20



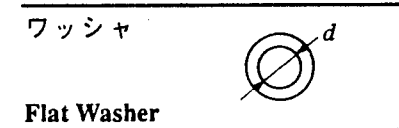
	d
180-103	3.1 φ
180-104	4.1 φ
180-104.1	4.1 φ
180-105	5.1 φ
180-105.1	5.1 φ
180-106	6.1 φ
180-106.1	6.1 φ
180-108	8.2 φ
180-108.1	8.2 φ
180-110	10.2 φ



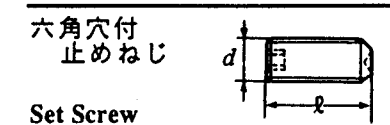
	d
170-103	M 3
170-104	M 4
170-105	M 5
170-106	M 6
170-108	M 8
170-108.3	M 8
170-110	M10
170-112	M12



	$d \times l$
140-262	M 5 × 12
140-375	M 6 × 25
140-383	M 6 × 45

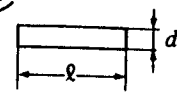


	d
184-103	3.2 φ
184-104	4.3 φ
184-105	5.3 φ
184-106	6.4 φ
184-106.3	6.4 φ
184-106.4	6.4 φ
184-108	8.4 φ
184-110	10.5 φ
184-112	13 φ
184-120	20 φ



	$d \times l$
141-404	M 4 × 4
141-556	M10 × 16

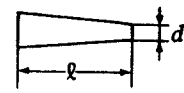
スプリングピン



Roll Pin

	$d \times l$
183-140	1.6φ × 10
183-149	2φ × 8
183-151	2φ × 12
183-152	2φ × 14
183-166	2.5φ × 12
183-178	3φ × 6
183-179	3φ × 8
183-180	3φ × 10
183-181	3φ × 12
183-182	3φ × 14
183-183	3φ × 16
183-189	3φ × 32
183-192	3φ × 45
183-200	4φ × 10
183-201	4φ × 12
183-205	4φ × 20
183-206	4φ × 22
183-207	4φ × 26
183-209	4φ × 32
183-210	4φ × 36
183-226	5φ × 22
183-229	5φ × 32
183-282	8φ × 14

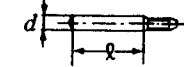
テーパピン



Taper Pin

	$d \times l$
182-147	3φ × 25
182-148	3φ × 28
182-149	3φ × 32
182-164	4φ × 16
182-165	4φ × 20
182-169	4φ × 32
182-170	4φ × 36
182-171	4φ × 40
182-189	5φ × 32
182-190	5φ × 36
182-192	5φ × 45
182-214	6φ × 56
182-215	6φ × 63
182-248	8φ × 50
182-252	8φ × 80

テーパボルト



Taper Bolt

$d \times l$

軸用C形止め輪



C-Ring

	d
181-008	8φ
181-012	12φ
181-016	16φ
181-020	20φ
181-025	25φ
181-030	30φ
181-070	70φ
181-110	110φ

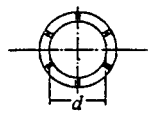
穴用C形止め輪



C-Ring

	d
181-224	24φ
181-232	32φ
181-235	35φ
181-247	47φ

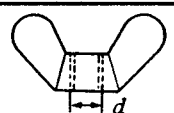
波座金



Wave Washer

	d
180-176	6φ
180-182	12φ

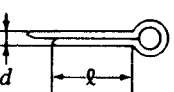
蝶ナット



Wing Nut

	d
163-105	M5

割ピン



Cotter Pin

	$d \times l$
183-745	1.6φ × 15

特殊平座金



Flat Washer

d

E型ワッシャ



E-Ring

	d
181-403	3φ
181-404	4φ
181-405	5φ
181-406	6φ
181-408	8φ
181-410	10φ
181-412	12φ
181-415	15φ

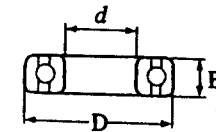
軸受ナット



Nut

$d \times \text{Pitch}$

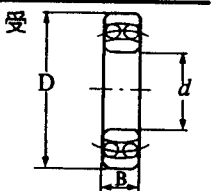
ベアリング



Bearing

	$d \times D \times B$
250-000	10φ × 26φ × 8
250-000.6	10φ × 26φ × 8
250-001	12φ × 28φ × 8
250-001.6	12φ × 28φ × 8
250-001.7	12φ × 28φ × 8
250-002.6	15φ × 32φ × 9
250-003	17φ × 35φ × 10
250-004	20φ × 42φ × 12
250-085.6	5φ × 11φ × 3
250-088.6	8φ × 16φ × 4
250-104.6	4φ × 12φ × 4
250-108	8φ × 22φ × 7
250-126.6	5φ × 19φ × 6
250-138	8φ × 24φ × 8
250-151.6	10φ × 22φ × 6
250-151.7	10φ × 22φ × 6
250-200	9φ × 26φ × 8
250-202.6	15φ × 35φ × 11
250-202.7	15φ × 35φ × 11
250-204.6	20φ × 47φ × 14
250-205.6	25φ × 52φ × 15

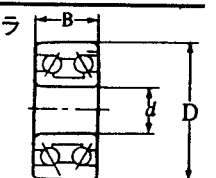
自動調心玉軸受



Bearing

	$d \times D \times B$
251-202	15φ × 35φ × 11
261-205	25φ × 52φ × 15
251-501	12φ × 32φ × 14

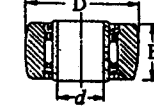
複列アンギュラ玉軸受



Bearing

	$d \times D \times B$
250-502	15φ × 35φ × 15.9
250-504	20φ × 47φ × 10.6
250-505	25φ × 52φ × 20.6
250-602	15φ × 35φ × 15.9

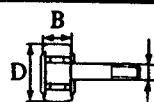
ローラフォロア



Roller Follower

	$d \times D \times B$
258-613	10φ × 30φ × 15

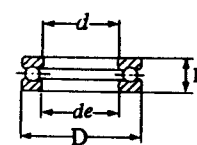
ローラフォロア



Roller Follower

	$d \times D \times B$
258-650.1	6φ × 16φ × 11
258-652.2	10φ × 22φ × 12

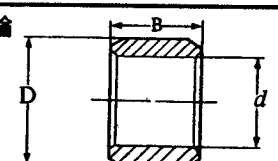
単式スラスト玉軸受け



Roller Follower

$d \times de \times D \times B$

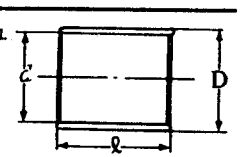
内輪



Bearing

258-012
258-259
258-271

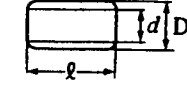
DUブッシュ



Bushing

	$d \times D \times l$
243-510	8φ × 10φ × 12
243-511	10φ × 12φ × 10
243-524	16φ × 18φ × 15
243-528	18φ × 20φ × 20

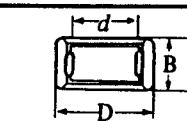
ブッシュ



Bushing

	$d \times D \times l$
243-605	6φ × 8φ × 8
243-608	8φ × 10φ × 8
243-609	8φ × 10φ × 10
243-612	10φ × 12φ × 10
243-614	10φ × 12φ × 15
243-615	10φ × 12φ × 20
243-617	12φ × 14φ × 10
243-619	12φ × 14φ × 15
243-620	12φ × 14φ × 20
243-625	14φ × 16φ × 20
243-627	15φ × 17φ × 12
243-633	16φ × 18φ × 15
243-634	16φ × 18φ × 20
243-641	6φ × 8φ × 20

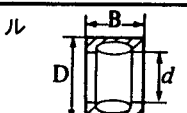
保持器付針状
コ口軸受



Needle Bearing

$d \times D \times B$

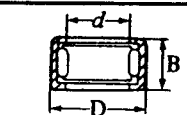
ラジアルニードル
ベアリング



Needle Bearing

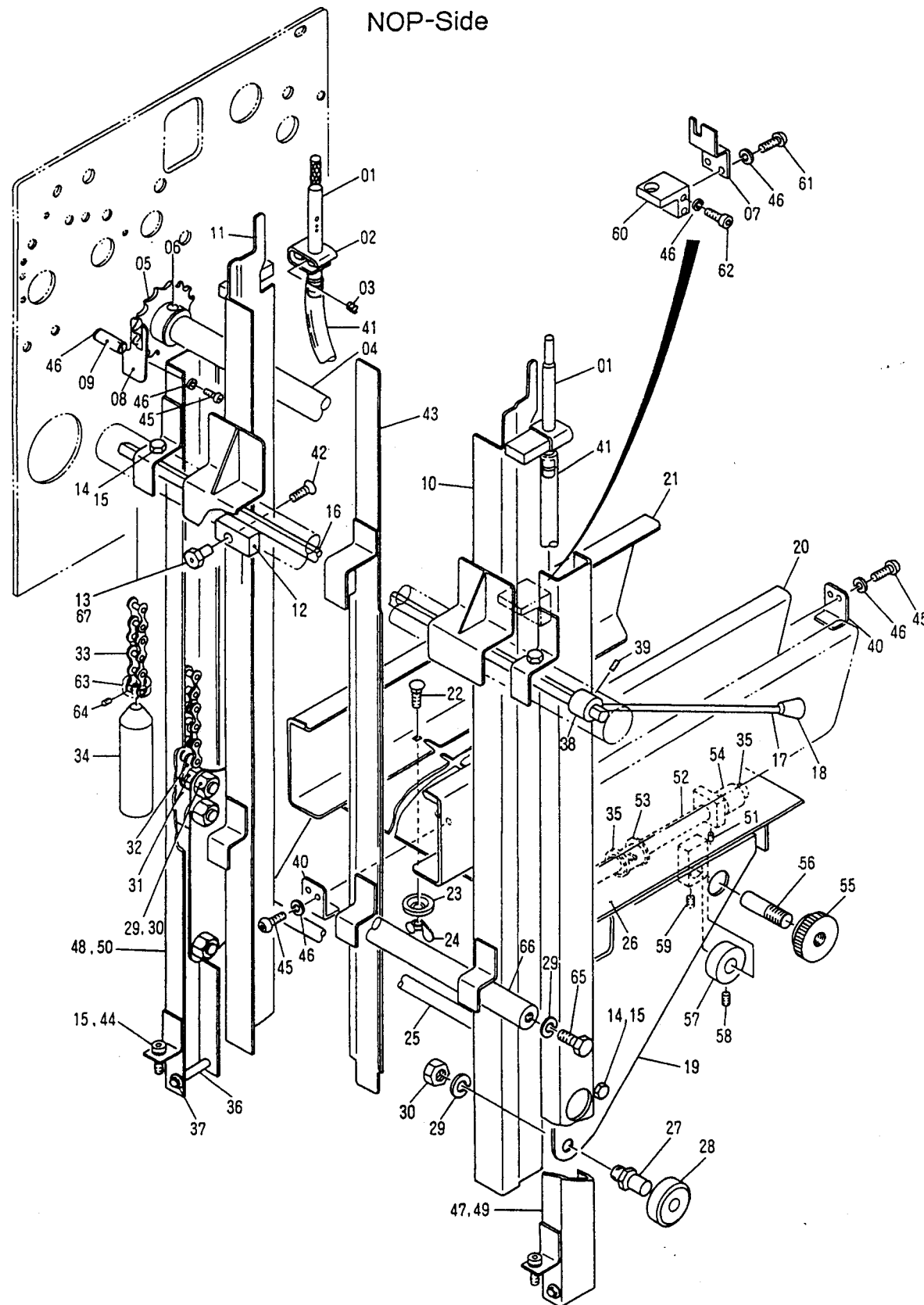
$d \times D \times B$

シェル形
針状コ口軸受



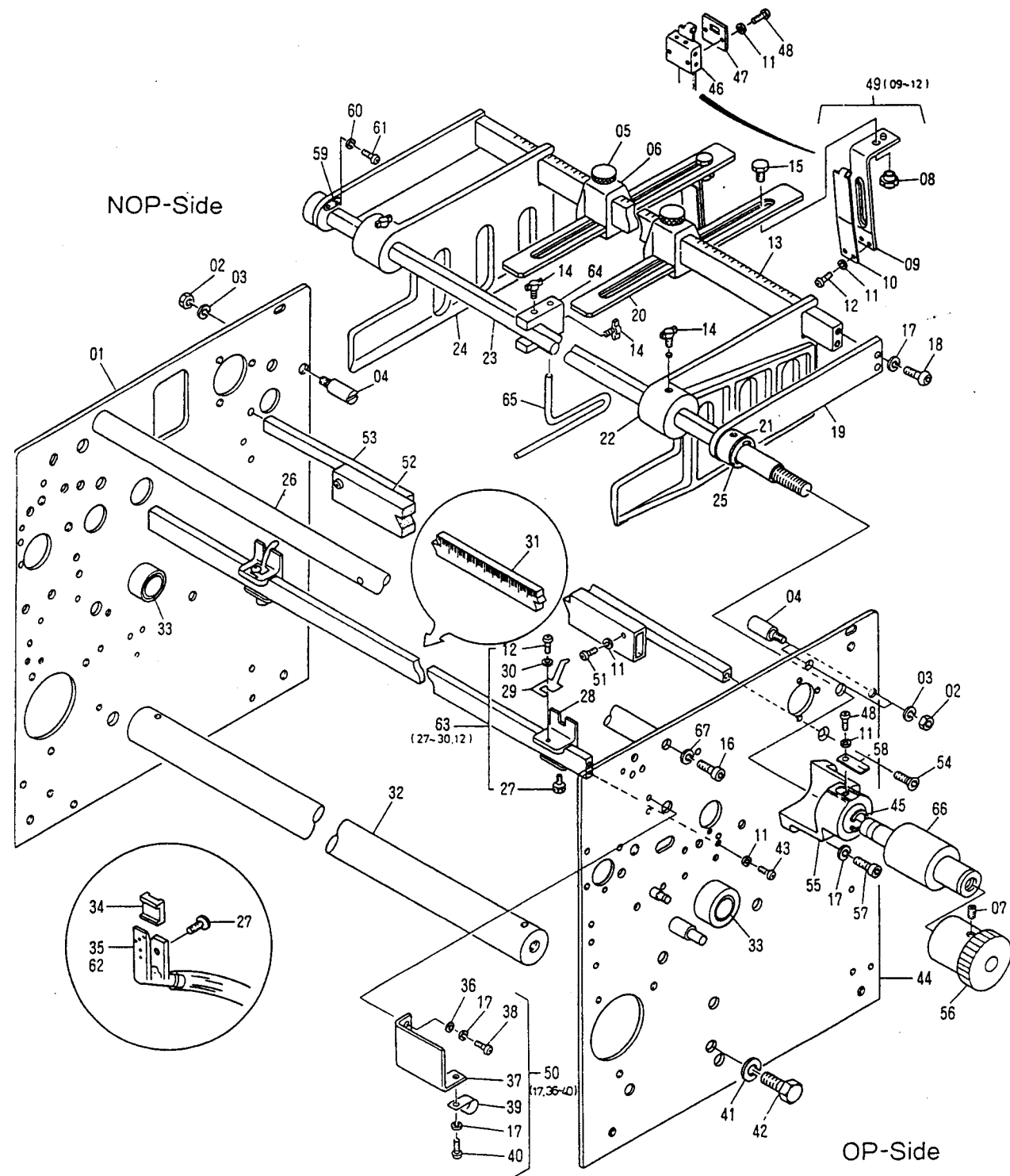
Needle Bearing

$d \times D \times B$



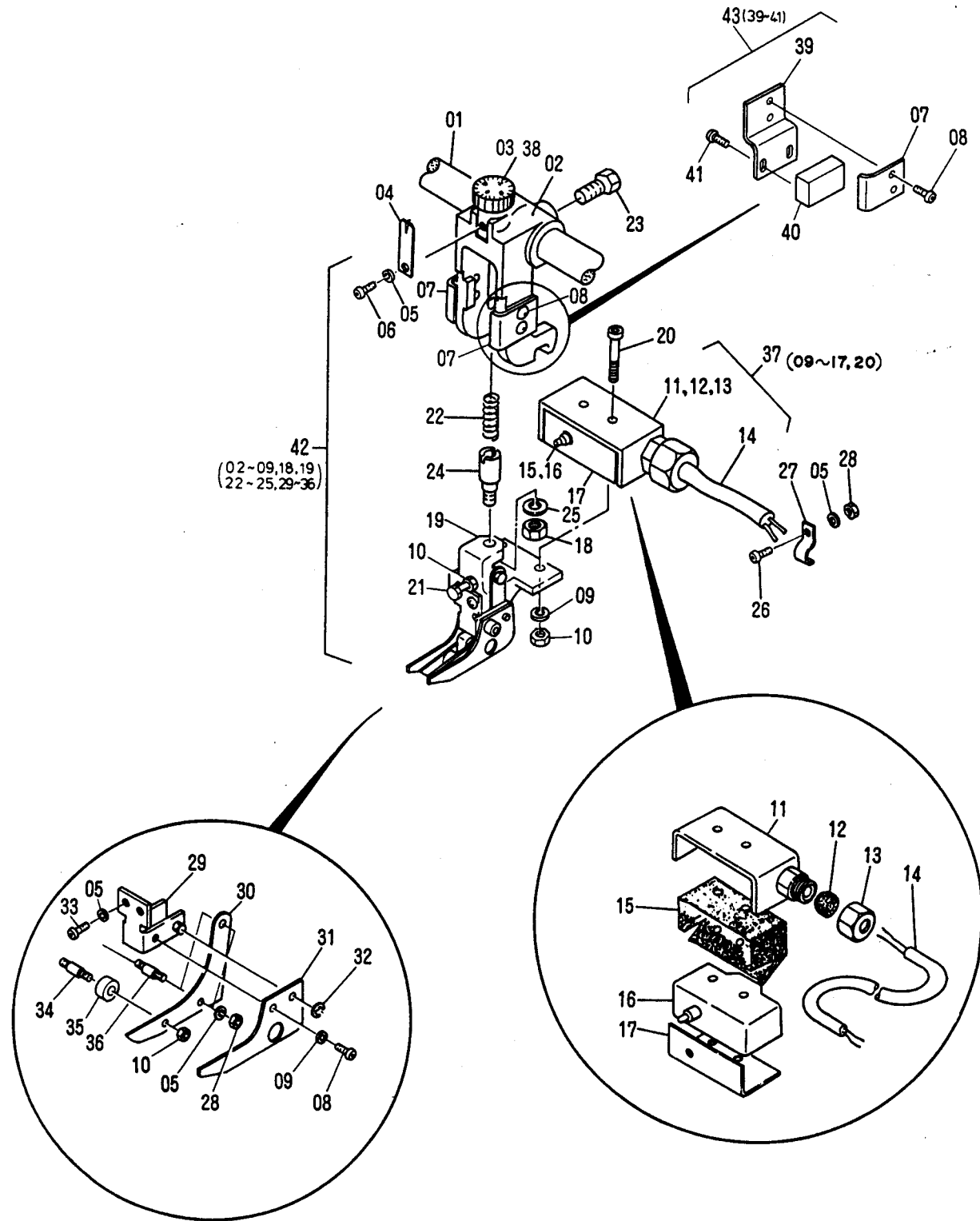
Feed Section
Paper Table and Paper Guide

INDEX No.	Parts No.	Description (Remarks)	Unit Per Assy							
			C48	C48L	C48SF	-SF C48L	C248E	C248L	-SF C248E	-SF C248L
01	5801-12035	Blower Nozzle	2	2	0	0	2	2	0	0
02	H12-47-1A-3	Blower Nozzle Bracket	2	2	0	0	2	2	0	0
03	H12-45-3	Blower Nozzle Bracket Spring	2	2	0	0	2	2	0	0
04	7201-08006	Elevator Sprocket Shaft	1	1	0	0	1	1	0	0
05	H09-14-3	Elevator Sprocket	2	2	0	0	2	2	0	0
06	183-209	Roll Pin	2	2	0	0	2	2	0	0
07	CK06-30	Elevator Chain Guide (OP-S)	1	1	0	0	1	1	0	0
08	H09-22-3	Elevator Chain Guard (NOP-S)	1	1	0	0	1	1	0	0
09	H09-25-3	Elevator Chan Stop	2	2	0	0	2	2	0	0
10	6501-08001A	Paper Magazine Head Guide Angle (OP-S)	1	1	0	0	1	1	0	0
11	6501-08002A	Paper Magazine Head Guide Angle (NOP-S)	1	1	0	0	1	1	0	0
12	H12-33-3	Head Guide Channel Locking Block	2	2	0	0	2	2	0	0
13	H12-34-01-3	Eccentric Shoulder Nut of Lock Angle	2	2	0	0	2	2	0	0
14	101-362	Screw	4	4	0	0	4	4	0	0
15	180-106	Lock Washer	6	6	0	0	6	6	0	0
16	6501-08006	Magazine Head Channel Lock Shaft	1	1	0	0	1	1	0	0
17	H12-31-3	Magazine Head Channel Lock Shaft Lever	1	1	0	0	1	1	0	0
18	H12-30-3	Magazine Head Channel Lock Lever Knob	1	1	0	0	1	1	0	0
19	EH12-01	Paper Table	1	1	0	0	1	1	0	0
20	H12-06-3	Paper Table Bracket	2	2	0	0	2	2	0	0
21	H12-05-3	Paper Table Bracket	1	1	0	0	1	1	0	0
22	H12-15-3	Screw	3	3	0	0	3	3	0	0
23	H12-16-3	Washer	3	3	0	0	3	3	0	0
24	163-105	Wing Nut	3	3	0	0	3	3	0	0
25	H12-02-7	Paper Table Tie Rod	1	1	0	0	1	1	0	0
26	EH12-02A	Paper Table	1	1	0	0	1	1	0	0
27	H12-10-01-3	Elevator Guide Roller Stud	4	4	0	0	4	4	0	0
28	H12-13-3	Elevator Guide Roller	4	4	0	0	4	4	0	0
29	180-110	Lock Washer	8	8	0	0	8	8	0	0
30	170-110	Nut	6	6	0	0	6	6	0	0
31	H12-07-01-3	Chain Lock Stud	2	2	0	0	2	2	0	0
32	H09-27-3	Elevator Chain Connecting Eyelet	2	2	0	0	2	2	0	0
33	KC06-48A	Elevator Chain	0	0	0	0	2	2	0	0
34	H09-29-1A-3	Elevator Chain Weight Assy	2	2	0	0	2	2	0	0
35	181-410	E-Ring	12	12	0	0	12	12	0	0
36	H12-19-3	Elevator Stop Pin	2	2	0	0	2	2	0	0
37	181-405	E-Ring	4	4	0	0	4	4	0	0
38	6501-08011	Collar	1	1	0	0	1	1	0	0
39	145-505	Screw	1	1	0	0	1	1	0	0
40	KC06-09	Bracket	2	2	0	0	2	2	0	0
41	7201-12015	Side Blower Hose	2	2	0	0	2	2	0	0
42	122-165	Screw	2	2	0	0	2	2	0	0
43	6501-08005	Paper Magazine Center Guide Channel	1	1	0	0	1	1	0	0
44	117-362	Screw	2	2	0	0	2	2	0	0
45	125-708	Screw	6	6	0	0	6	6	0	0
46	180-105	Lock Washer	12	12	0	0	12	12	0	0
47	7201-08001A	Elevator Guide Channel (OP-S)	1	1	0	0	0	0	0	0
48	7201-08002A	Elevator Guide Channel (NOP-S)	1	1	0	0	0	0	0	0
49	7201-08003A	Elevator Guide Channel (OP-S)	0	0	0	0	1	1	0	0
50	7201-08004A	Elevator Guide Channel (NOP-S)	0	0	0	0	1	1	0	0
51	145-410	Screw	2	2	0	0	2	2	0	0
52	EH12-06	Paper Table-Removing Shaft	2	2	0	0	2	2	0	0
53	EH12-08	Guide Roller	2	2	0	0	2	2	0	0
54	EH12-07	Guide Roller	4	4	0	0	4	4	0	0
55	KC06-07	Paper Table Adjustable Knob	1	1	0	0	1	1	0	0
56	EH12-09	Paper Table Adjustable Screw	1	1	0	0	1	1	0	0
57	A62-27-3	Collar	1	1	0	0	1	1	0	0
58	145-506	Screw	1	1	0	0	1	1	0	0
59	145-508	Screw	1	1	0	0	1	1	0	0
60	6501-08021	Chain Stopper (OP-S)	1	1	0	0	1	1	0	0
61	125-710	Screw	2	2	0	0	2	2	0	0
62	117-531	Screw	2	2	0	0	2	2	0	0
63	HC05-19	Collar (OP-S)	1	1	0	0	1	1	0	0
64	145-406	Screw (OP-S)	1	1	0	0	1	1	0	0
65	101-560	Screw	2	2	0	0	2	2	0	0
66	6501-08012	Spreader	1	1	0	0	1	1	0	0
67	7201-08007	Elevator Chain	2	2	0	0	0	0	0	0



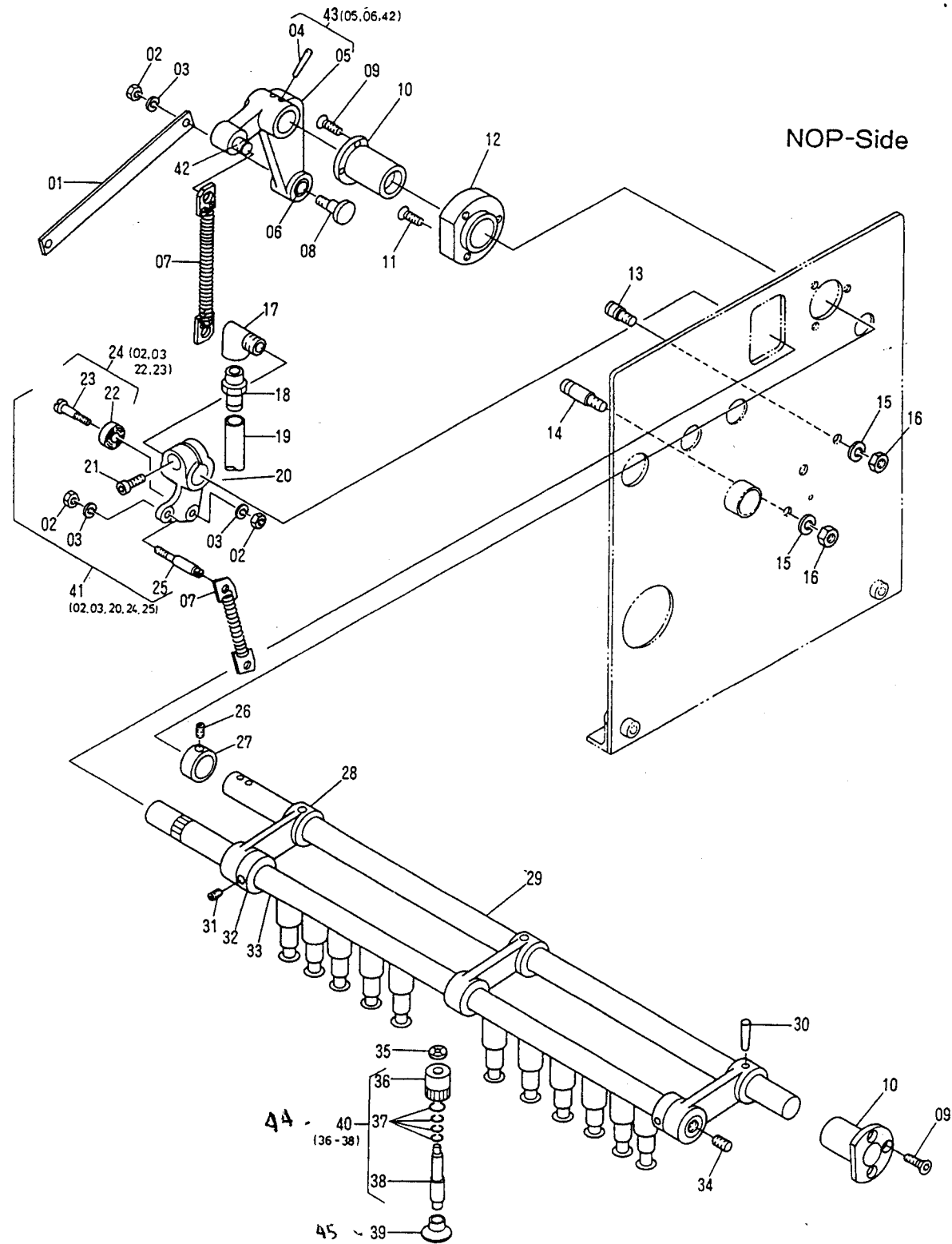
Feed Section
Feeder Frame and Paper Guide

INDEX No.	Parts No.	Description (Remarks)	Unit Per Assy							
			C48	C48L	C48SF	-SF C48L	C248E	C248L	-SF C248E	-SF C248L
01	7201-01003A	Feeder Side Frame (NOP-S)	1	1	0	0	1	1	0	0
02	170-106	Nut	3	3	0	0	3	3	0	0
03	180-106	Lock Washer	3	3	0	0	3	3	0	0
04	EH11-06	Stopper Pin	3	3	0	0	3	3	0	0
05	KC05-33	Thumb Screw	2	2	0	0	2	2	0	0
06	EH11-12	Mounting Bracket	2	2	0	0	2	2	0	0
07	145-362	Screw	1	1	0	0	1	1	0	0
08	KC05-34	Tail Guide Knob	2	2	0	0	2	2	0	0
09	CK05-16A	Tail Guide	2	2	0	0	2	2	0	0
10	CK05-36	Plate Spring	2	2	0	0	2	2	0	0
11	180-104	Lock Washer	15	15	0	0	15	15	0	0
12	125-655	Screw	8	8	0	0	8	8	0	0
13	6501-11007	Guide Support Cross Bar	1	1	0	0	1	1	0	0
14	F4-7-01	Thumb Screw	6	6	0	0	6	6	0	0
15	CK05-13	Screw	2	2	0	0	2	2	0	0
16	117-470	Screw	2	2	0	0	2	2	0	0
17	180-105	Lock Washer	8	8	0	0	8	8	0	0
18	125-712	Screw	4	4	0	0	4	4	0	0
19	6501-11003	Feeder Pile Guide Support Arm	2	2	0	0	2	2	0	0
20	CK05-15	Tail Guide Bar	2	2	0	0	2	2	0	0
21	185-1615.04	Release Lever Mounting Block	2	2	0	0	2	2	0	0
22	5801-06006	Feeder Pile Guide (OP-S)	1	1	0	0	1	1	0	0
23	6501-11002	Feeder Pile Guide Slide Shaft	1	1	0	0	1	1	0	0
24	5801-06005	Feeder Pile Guide (NOP-S)	1	1	0	0	1	1	0	0
25	181-412	E-Ring	1	1	0	0	1	1	0	0
26	H01-15-02-7	Feeder Frame Top Spreader	1	1	0	0	1	1	0	0
27	H11-34-3	Thumb Screw	6	6	0	0	6	6	0	0
28	CK05-33	Sheet Separator Bracket	4	4	0	0	4	4	0	0
29	H11-25-3	Sheet Separator	4	4	0	0	4	4	0	0
30	184-104	Washer	4	4	0	0	4	4	0	0
31	7201-01002	Scaled Cross Bar	1	1	0	0	1	1	0	0
32	6501-01003	Spreader	1	1	0	0	1	1	0	0
33	H01-10-3	Bushing	2	2	0	0	2	2	0	0
34	H11-29-3	Blower Nozzle Bracket	2	2	0	0	2	2	0	0
35	H11-27-1A-3	Blower Nozzle	2	2	0	0	2	2	0	0
36	184-105	Flat Washer	2	2	0	0	2	2	0	0
37	7201-08015	Bracket	1	1	0	0	1	1	0	0
38	125-708	Screw	2	2	0	0	2	2	0	0
39	7201-08010	Spring	1	1	0	0	1	1	0	0
40	125-705	Screw	1	1	0	0	1	1	0	0
41	180-110	Lock Washer	2	2	0	0	2	2	0	0
42	101-560	Screw	2	2	0	0	2	2	0	0
43	125-662	Screw	4	4	0	0	4	4	0	0
44	7201-01001A	Feeder Side Frame	1	1	0	0	1	1	0	0
45	181-025	C-Ring	1	1	0	0	1	1	0	0
46	CK05-38	Weight	2	2	0	0	2	2	0	0
47	CK05-37	Plate	2	2	0	0	2	2	0	0
48	125-656	Screw	5	5	0	0	5	5	0	0
49	CK05-36B	Tail Guide Assy (09-12)	2	2	0	0	2	2	0	0
50	7201-08015A	Release Lever Stopper Assy (17, 36-40)	1	1	0	0	1	1	0	0
51	125-680	Screw	2	2	0	0	2	2	0	0
52	E11-02-01-7	Anti-static Bar	1	1	0	0	1	1	0	0
53	6501-11006	Pivot Stud	2	2	0	0	2	2	0	0
54	122-168	Screw	2	2	0	0	2	2	0	0
55	6501-11001	Bracket	1	1	0	0	1	1	0	0
56	7201-11003	Guide Adjustment Micro-control Knob	1	1	0	0	1	1	0	0
57	117-520	Screw	3	3	0	0	3	3	0	0
58	H04-57-3	Click Stop	1	1	0	0	1	1	0	0
59	6501-11005	Plate	2	2	0	0	2	2	0	0
60	180-103	Lock Washer	4	4	0	0	4	4	0	0
61	125-606	Screw	4	4	0	0	4	4	0	0
62	H11-27-1C-3	Blower Nozzle (11A)	2	2	0	0	2	2	0	0
63	CK05-33A	Sheet Separator Bracket Assy (12, 27-30)	4	4	0	0	4	4	0	0
64	5801-06026	Block	2	2	0	0	2	2	0	0
65	5801-06027	Guide	2	2	0	0	2	2	0	0
66	7201-11001	Shaft	1	1	0	0	1	1	0	0
67	180-108	Lock Washer	2	2	0	0	2	2	0	0



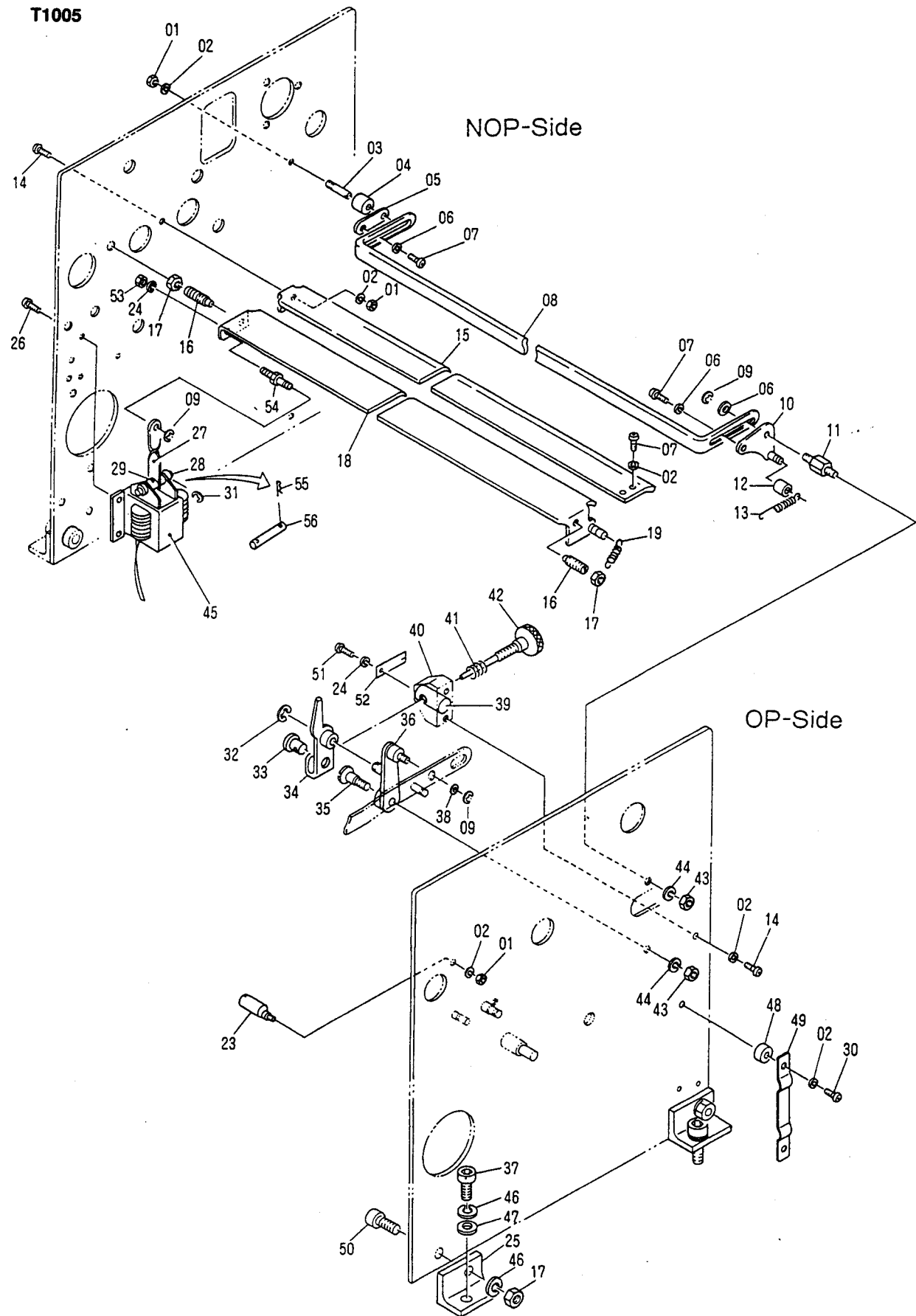
Feed Section
Double Sheet Detector

INDEX No.	Parts No.	Description (Remarks)	Unit Per Assy							
			C48	C48L	C48SF	-SF C48L	C248E	C248L	-SF C248E	-SF C248L
01	H01-15-02-7	Feeder Frame Top Spreader	1	1	0	0	1	1	0	0
02	H04-01-3	Micro Bracket	1	1	0	0	1	1	0	0
03	7201-04002	Knob	1	1	0	0	1	1	0	0
04	H04-57-3	Crick Stop for Micro Control Knob	1	1	0	0	1	1	0	0
05	180-104	Lock Washer	8	8	0	0	8	8	0	0
06	125-656	Screw	1	1	0	0	1	1	0	0
07	H04-18-3	Sensing Bracket Guide Plate	2	2	0	0	2	2	0	0
08	125-606	Screw	6	6	0	0	6	6	0	0
09	180-103	Lock Washer	4	4	0	0	4	4	0	0
10	170-103	Nut	5	5	0	0	5	5	0	0
11	H04-20-1A-3	Top Micro Switch Cover	1	1	0	0	1	1	0	0
12	H04-32-3	Bushing	1	1	0	0	1	1	0	0
13	H04-64-01-3	Lock Nut	1	1	0	0	1	1	0	0
14	H24-01-3	Micro Switch Electrical Lead	1	1	0	0	1	1	0	0
15	H04-25-3	Micro Switch Shield	1	1	0	0	1	1	0	0
16	E10-02-3	Micro Switch	1	1	0	0	1	1	0	0
17	H04-24-3	Lower Micro Switch Shield	1	1	0	0	1	1	0	0
18	170-106	Nut	1	1	0	0	1	1	0	0
19	6501-04001	Sensing Foot Bracket	1	1	0	0	1	1	0	0
20	H04-21-3	Bolt	2	2	0	0	2	2	0	0
21	H04-03-3	Screw	1	1	0	0	1	1	0	0
22	H04-09-3	Adjustment Stem Spring	1	1	0	0	1	1	0	0
23	G03-26-3	Screw	1	1	0	0	1	1	0	0
24	H04-06-3	Micro Adjusting Stem	1	1	0	0	1	1	0	0
25	180-106	Lock Washer	1	1	0	0	1	1	0	0
26	125-662	Screw	1	1	0	0	1	1	0	0
27	H04-27-3	Harness	1	1	0	0	1	1	0	0
28	170-104	Nut	5	5	0	0	5	5	0	0
29	6501-04003A	Guide Plate Assy	1	1	0	0	1	1	0	0
30	6501-04005	Detector Side Guide	2	2	0	0	2	2	0	0
31	6501-04002	Detector Side Plate	2	2	0	0	2	2	0	0
32	181-403	E-Ring	2	2	0	0	2	2	0	0
33	125-658	Screw	2	2	0	0	2	2	0	0
34	CK10-11	Detector Side Frame Spreader	1	1	0	0	1	1	0	0
35	250-085.6	Bearing	1	1	0	0	1	1	0	0
36	CK10-09	Fulcrum Pin	2	2	0	0	2	2	0	0
37	H04-20-1C-3	Micro Switch Assy with Box and Lead (09 ~ 17, 20)	1	1	0	0	1	1	0	0
38	7201-04003	Micro Control Scale	1	1	0	0	1	1	0	0
39	7201-04001	Bracket	1	1	0	0	1	1	0	0
40	E26-80-3	Photo Sensor	1	1	0	0	1	1	0	0
41	125-608	Screw	2	2	0	0	2	2	0	0
42	7201-04002A	Detector Assy (02 ~ 07, 18, 19, 22 ~ 25, 29 ~ 36)	1	1	0	0	1	1	0	0
43	7201-04001A	Photo Sensor Assy (39 ~ 41)	1	1	0	0	1	1	0	0



INDEX No.	Parts No.	Description (Remarks)	Unit Per Assy							
			C48	C48L	C48SF	-SF C48L	C248E	C248L	-SF C248E	-SF C248L
01	6501-05014	Link	1	1	0	0	1	1	0	0
02	170-106	Nut	3	3	0	0	3	3	0	0
03	180-106	Lock Washer	3	3	0	0	3	3	0	0
04	182-170	Taper Pin	2	2	0	0	2	2	0	0
05	5801-05012	Suction Foot Drive Lever	1	1	0	0	1	1	0	0
06	5801-05033	Bushing	1	1	0	0	1	1	0	0
07	CM11-02A	Spring	2	2	0	0	2	2	0	0
08	5801-05022	Pin	1	1	0	0	1	1	0	0
09	122-110	Screw	6	6	0	0	6	6	0	0
10	5801-05023	Bushing Bracket	2	2	0	0	2	2	0	0
11	122-168	Screw	3	3	0	0	3	3	0	0
12	6501-05016	Bushing Bracket	1	1	0	0	1	1	0	0
13	6501-05011	Spring Pin	1	1	0	0	1	1	0	0
14	6501-05010	Spring Pin	1	1	0	0	1	1	0	0
15	180-108	Lock Washer	2	2	0	0	2	2	0	0
16	170-108	Nut	2	2	0	0	2	2	0	0
17	5801-05041	Hose Joint	1	1	0	0	1	1	0	0
18	5801-05042	Hose Joint	1	1	0	0	1	1	0	0
19	5801-05030	Hose	1	1	0	0	1	1	0	0
20	5801-05013	Suction Foot Operating Arm	1	1	0	0	1	1	0	0
21	117-470	Screw	1	1	0	0	1	1	0	0
22	250-126.6	Bearing	1	1	0	0	1	1	0	0
23	M05-50-3	Cam Follower Pin	1	1	0	0	1	1	0	0
24	M05-50-1A-3	Cam Follower	1	1	0	0	1	1	0	0
25	6501-05024	Pin	1	1	0	0	1	1	0	0
26	145-355	Set Screw	1	1	0	0	1	1	0	0
27	5801-05038	Collar	1	1	0	0	1	1	0	0
28	5801-05017	Pilot Shaft Bracket	3	3	0	0	3	3	0	0
29	7201-05002	Suction Pilot Shaft	1	1	0	0	1	1	0	0
30	182-169	Taper Pin	3	3	0	0	3	3	0	0
31	145-356	Set Screw	2	2	0	0	2	2	0	0
32	CK02-37	Collar	2	2	0	0	2	2	0	0
33	7201-05001	Suction Pilot Shaft	1	1	0	0	1	1	0	0
34	145-556	Set Screw	1	1	0	0	1	1	0	0
35	I27-42-3	Flat Washer	12	12	0	0	12	12	0	0
36	CK02-11	Suction ON-OFF Valve	12	12	0	0	12	12	0	0
37	CK02-46	O-Ring	48	48	0	0	48	48	0	0
38	CK02-12	Suction Foot	12	12	0	0	12	12	0	0
39	CK02-77	Sucker	24	24	0	0	24	24	0	0
40	CK02-12A	Suction Foot Assy	12	12	0	0	12	12	0	0
41	5801-05013B	Suction Foot Operating Arm Assy	1	1	0	0	1	1	0	0
42	6501-05023	Pin	1	1	0	0	1	1	0	0
43	5801-05012B	Suction Foot Drive Lever Assy	1	1	0	0	1	1	0	0
44	6901-05056A	Suction Foot Assy (New style)								
45	6901-05057	Suction Foot (bellows type)								

T1005



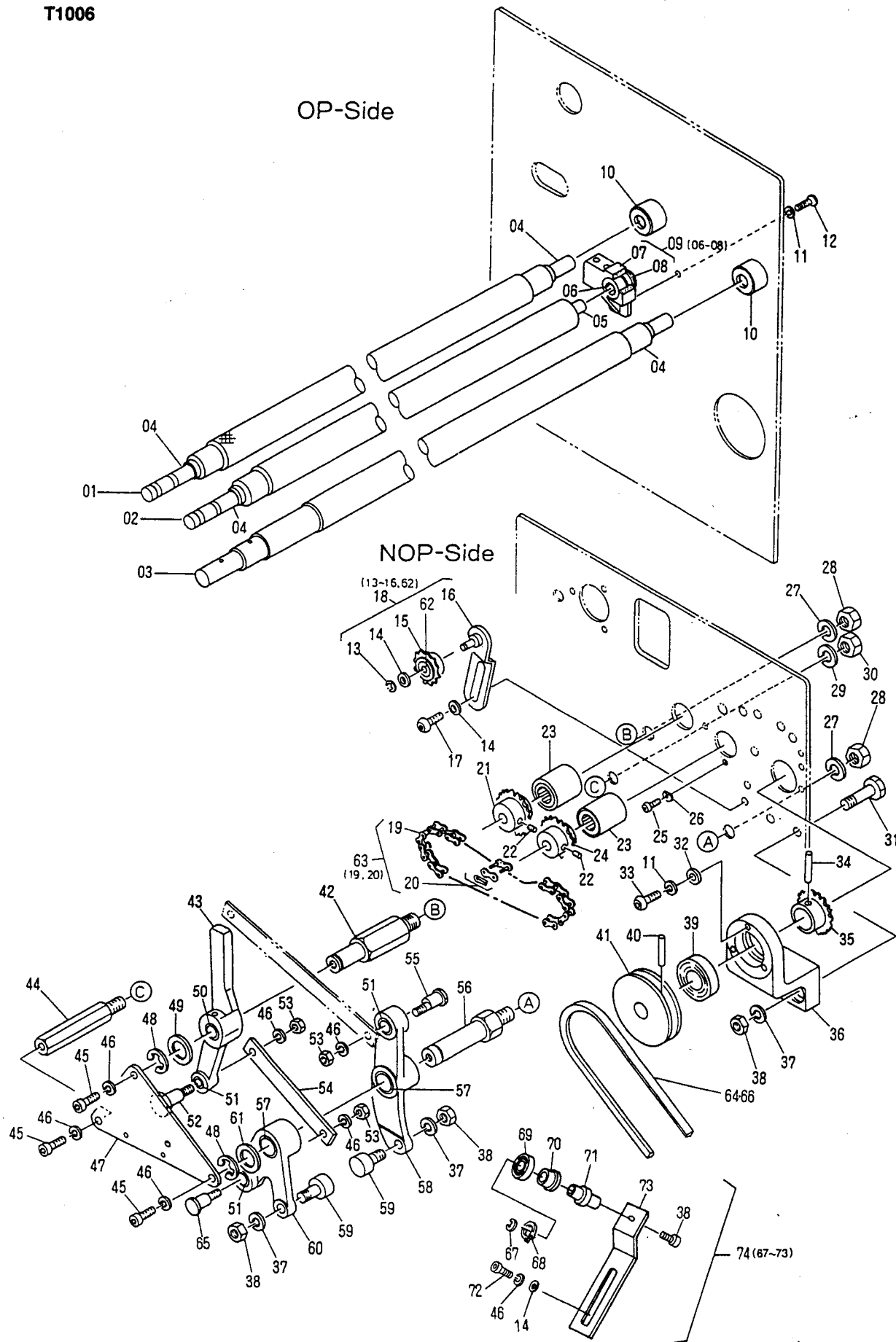
NOP-Side

OP-Side

Feed Section
Height Control

T1005

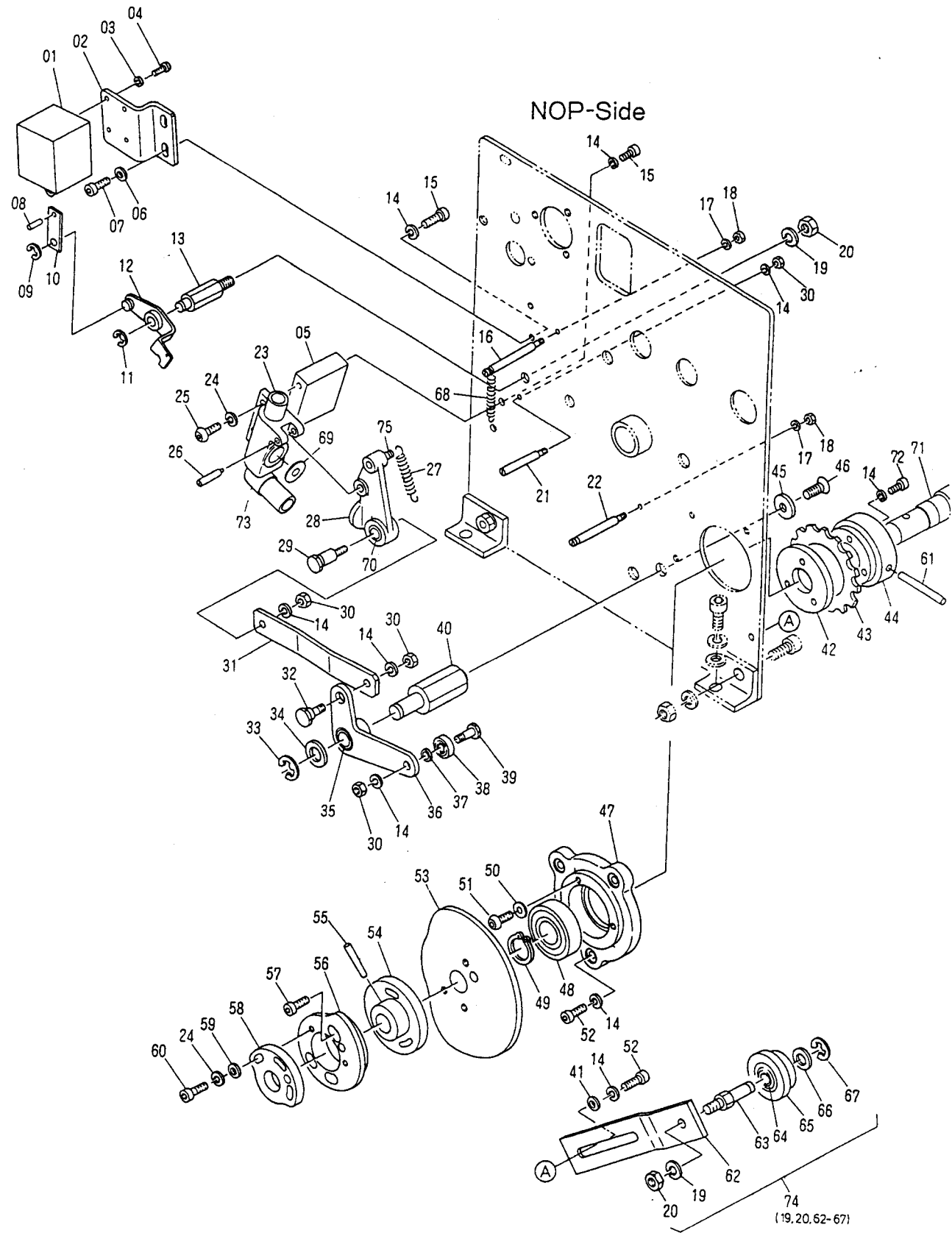
INDEX No.	Parts No.	Description (Remarks)	Unit Per Assy							
			C48	C48L	C48SF	-SF C48L	C248E	C248L	-SF C248E	-SF C248L
01	170-105	Nut	3	3	0	0	3	3	0	0
02	180-105	Lock Washer	9	9	0	0	9	9	0	0
03	H06-05-3	Pivot Pin	1	1	0	0	1	1	0	0
04	H06-04-3	Spacing Collar	1	1	0	0	1	1	0	0
05	H06-08-3	Rasing Control Arm Connecting Pin	1	1	0	0	1	1	0	0
06	184-105	Flat Washer	2	2	0	0	2	2	0	0
07	125-710	Screw	4	4	0	0	4	4	0	0
08	H06-01-7	Hight Control Bar	1	1	0	0	1	1	0	0
09	181-404	E-Ring	4	4	0	0	4	4	0	0
10	H06-13-1A-3	Raswing Control Lever	1	1	0	0	1	1	0	0
11	H06-09-3	Pivot Stud	1	1	0	0	1	1	0	0
12	H06-15-01-3	Hight Control Arm Lever Drive Collar	1	1	0	0	1	1	0	0
13	H06-16-02-3	Hight Control Arm Lever Spring	3	3	0	0	3	3	0	0
14	125-712	Screw	3	3	0	0	3	3	0	0
15	7201-03001	Guide Plate	1	1	0	0	1	1	0	0
16	H03-40-3	Deflector Pin	2	2	0	0	2	2	0	0
17	170-108	Nut	6	6	0	0	6	6	0	0
18	H03-41-1B-3	Deflector Plate	1	1	0	0	1	1	0	0
19	H03-20-3	Deflection Plate Return Spring	1	1	0	0	1	1	0	0
20										
21										
22										
23	CK04-23	Eccentric Deflection Plate Lever Pin	1	1	0	0	1	1	0	0
24	180-104	Lock Washer	1	1	0	0	1	1	0	0
25	5105-01005	Bracket	4	4	0	0	4	4	0	0
26	122-060	Screw	4	4	0	0	4	4	0	0
27	6501-03001	Deflector Drive Link	1	1	0	0	1	1	0	0
28	H03-37-3	Pin and Coller Pin	1	1	0	0	1	1	0	0
29	H03-36-3	Collar	2	2	0	0	2	2	0	0
30	125-715	Screw	2	2	0	0	2	2	0	0
31	181-403	Cotter Pin	2	2	0	0	2	2	0	0
32	181-406	E-Ring	1	1	0	0	1	1	0	0
33	H06-28-3	Hight Control Adjusting Swivel Pin	1	1	0	0	1	1	0	0
34	H06-26-1C-3	Hight Control Intermediate Lever Assy	1	1	0	0	1	1	0	0
35	H06-17-3	Pivot Screw	1	1	0	0	1	1	0	0
36	H06-20-1A-3	Hight Control Drive Lever	1	1	0	0	1	1	0	0
37	117-470	Screw	4	4	0	0	4	4	0	0
38	184-106	Flat Washer	1	1	0	0	1	1	0	0
39	CK05-31	Adjusting Knob Guide Block Swivel Pin	1	1	0	0	1	1	0	0
40	H06-32-3	Adjusting Knob Guide Block	1	1	0	0	1	1	0	0
41	H06-31-3	Spring	1	1	0	0	1	1	0	0
42	CK05-32A	Adjusting Knob for Rasing Control	1	1	0	0	1	1	0	0
43	170-106	Nut	2	2	0	0	2	2	0	0
44	180-106	Lock Washer	2	2	0	0	2	2	0	0
45	E09-02-05-3	Solenoid (200V)	1	1	0	0	1	1	0	0
46	180-108	Lock Washer	8	8	0	0	8	8	0	0
47	184-108	Flat Washer	4	4	0	0	4	4	0	0
48	5103-11085	Spacer	2	2	0	0	2	2	0	0
49	5801-08059	Plate Spring	1	1	0	0	1	1	0	0
50	117-475	Screw	4	4	0	0	4	4	0	0
51	125-656	Screw	1	1	0	0	1	1	0	0
52	6501-06022	Flat Spring	1	1	0	0	1	1	0	0
53	170-104	Nut	1	1	0	0	1	1	0	0
54	H03-42-3	Stud Pin	1	1	0	0	1	1	0	0
55	6801-03014	Snup Pin	2	2	0	0	2	2	0	0
56	6801-03013	Pin	1	1	0	0	1	1	0	0



Feed Section
Feed Roller and Drive Pulley

INDEX No.	Parts No.	Description (Remarks)	Unit Per Assy							
			C48	C48L	C48SF	C48L-SF	C248E	C248L	C248E-SF	C248L-SF
01	H02-01-31-7	Lower Pullout Roller	1	1	0	0	1	1	0	0
02	H02-03-31-7	Forwarding Roller	1	1	0	0	1	1	0	0
03	6501-02001	1st Tape Roller	1	1	0	0	1	1	0	0
04	258-271	Inner Sleeve Included in 01, 02, 03	4	4	0	0	4	4	0	0
05	258-259	Inner Sleeve (OP-S) Included in 2	1	1	0	0	1	1	0	0
06	258-012	Needle Bearing	1	1	0	0	1	1	0	0
07	H02-10-3	Forwarding Roller Bracket	1	1	0	0	1	1	0	0
08	H02-14-3	Forwarding Roller Bearing Cap	1	1	0	0	1	1	0	0
09	H02-10-1A-3	Forwarding Roller Bracket Assy (06-08)	1	1	0	0	1	1	0	0
10	H02-08-1A-3	Roller Bearing with Case	2	2	0	0	2	2	0	0
11	180-105	Lock Washer	5	5	0	0	5	5	0	0
12	125-712	Screw	2	2	0	0	2	2	0	0
13	181-404	E-Ring	1	1	0	0	1	1	0	0
14	184-106	Flat Washer	3	3	0	0	3	3	0	0
15	CK02-90	Idle Sprocket	1	1	0	0	1	1	0	0
16	6501-02011A	Idle Sprocket Bracket	1	1	0	0	1	1	0	0
17	125-760	Screw	2	2	0	0	2	2	0	0
18	6501-02011B	Idle Sprocket Assy (13-16, 62)	1	1	0	0	1	1	0	0
19	H02-22-1A-3	Pullout Roller Drive Chain	1	1	0	0	1	1	0	0
20	280-000.2	Link	1	1	0	0	1	1	0	0
21	H02-20-31-3	Pullout Roller Drive Sprocket	1	1	0	0	1	1	0	0
22	145-358	Set Screw	2	2	0	0	2	2	0	0
23	H02-08-1B-3	Roller Bearing with Case	2	2	0	0	2	2	0	0
24	H02-18-31-3	Forwarding Roller Drive Sprocket	1	1	0	0	1	1	0	0
25	125-656	Screw	4	4	0	0	4	4	0	0
26	H01-21-3	Retaining Washer	4	4	0	0	4	4	0	0
27	180-112	Lock Washer	2	2	0	0	2	2	0	0
28	170-112	Nut	2	2	0	0	2	2	0	0
29	180-110	Lock Washer	1	1	0	0	1	1	0	0
30	170-110	Nut	1	1	0	0	1	1	0	0
31	6501-02012	Bolt	2	2	0	0	2	2	0	0
32	R02-23-3	Flat Washer	3	3	0	0	3	3	0	0
33	125-708	Screw	3	3	0	0	3	3	0	0
34	183-207	Roll Pin	1	1	0	0	1	1	0	0
35	6501-02004	Sprocket	1	1	0	0	1	1	0	0
36	6501-02003	Bracket	1	1	0	0	1	1	0	0
37	180-108	Lock Washer	4	4	0	0	4	4	0	0
38	170-108	Nut	4	4	0	0	4	4	0	0
39	250-202.6	Bearing	1	1	0	0	1	1	0	0
40	183-208	Roll Pin	1	1	0	0	1	1	0	0
41	7201-02005	Taper Roller Pulley	1	1	0	0	1	1	0	0
42	6501-05022	Pivot Pin	1	1	0	0	1	1	0	0
43	5801-05008	Lever	1	1	0	0	1	1	0	0
44	6501-05038	Pin	1	1	0	0	1	1	0	0
45	117-362	Screw	3	3	0	0	3	3	0	0
46	180-106	Lock Washer	6	6	0	0	6	6	0	0
47	6501-05017	Bracket	1	1	0	0	1	1	0	0
48	181-412	E-Ring	2	2	0	0	2	2	0	0
49	184-114	Flat Washer	1	1	0	0	1	1	0	0
50	I24-36-01-3	Bushing Included in 43	1	1	0	0	1	1	0	0
51	5801-05033	Bushing Included in 43, 58, 60	3	3	0	0	3	3	0	0
52	5801-05022	Pin	1	1	0	0	1	1	0	0
53	170-106	Nut	3	3	0	0	3	3	0	0
54	6501-05015	Link	1	1	0	0	1	1	0	0
55	6501-05041	Eccentric Pin	1	1	0	0	1	1	0	0
56	6501-05021	Stud Pin	1	1	0	0	1	1	0	0
57	F44-72-3	Bushing Included in 58, 60	2	2	0	0	2	2	0	0
58	6501-05018	Lever	1	1	0	0	1	1	0	0
59	258-651.3	Cam Follower	2	2	0	0	2	2	0	0
60	6501-05019	Lever	1	1	0	0	1	1	0	0
61	184-116	Flat Washer	1	1	0	0	1	1	0	0
62	CK02-91	Bearing	1	1	0	0	1	1	0	0
63	H02-22-1A-3	Pullout Roller Drive Chain Assy (19, 20)	1	1	0	0	1	1	0	0
64	7201-02008	V Belt (M 54)	0	0	0	0	1	1	0	0
65	6501-05042	Eccentric Pin	1	1	0	0	1	1	0	0
66	7201-02016	V Belt (M-61)	1	1	0	0	0	0	0	0
67	181-232	E-Ring	1	1	0	0	1	1	0	0
68	181-012	C-Ring	1	1	0	0	1	1	0	0
69	250-201.6	Bearing	1	1	0	0	1	1	0	0
70	CM05-48	Roller	1	1	0	0	1	1	0	0

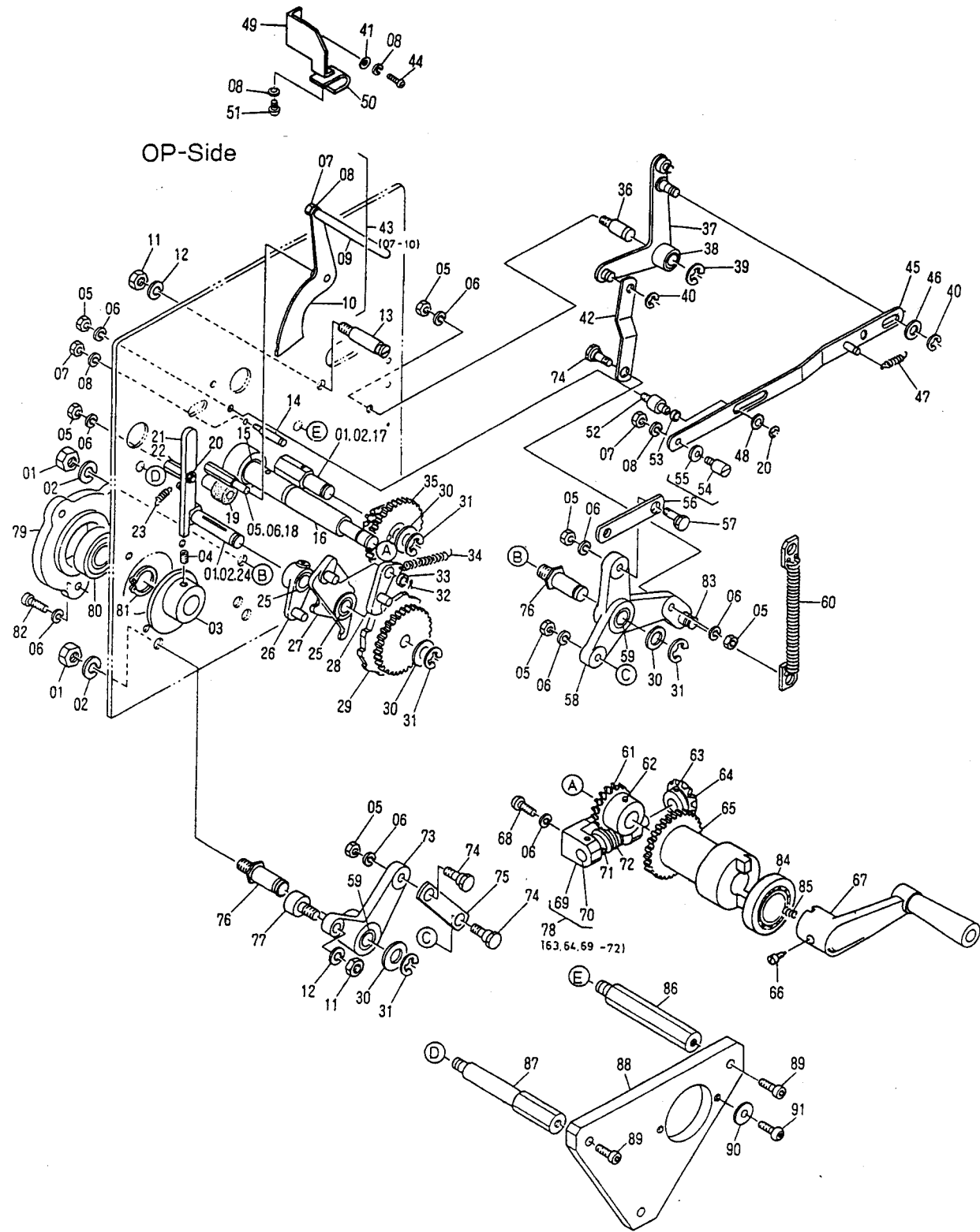
T1007



Feed Section
Suction Valve and Pullout Roller Timing Cam

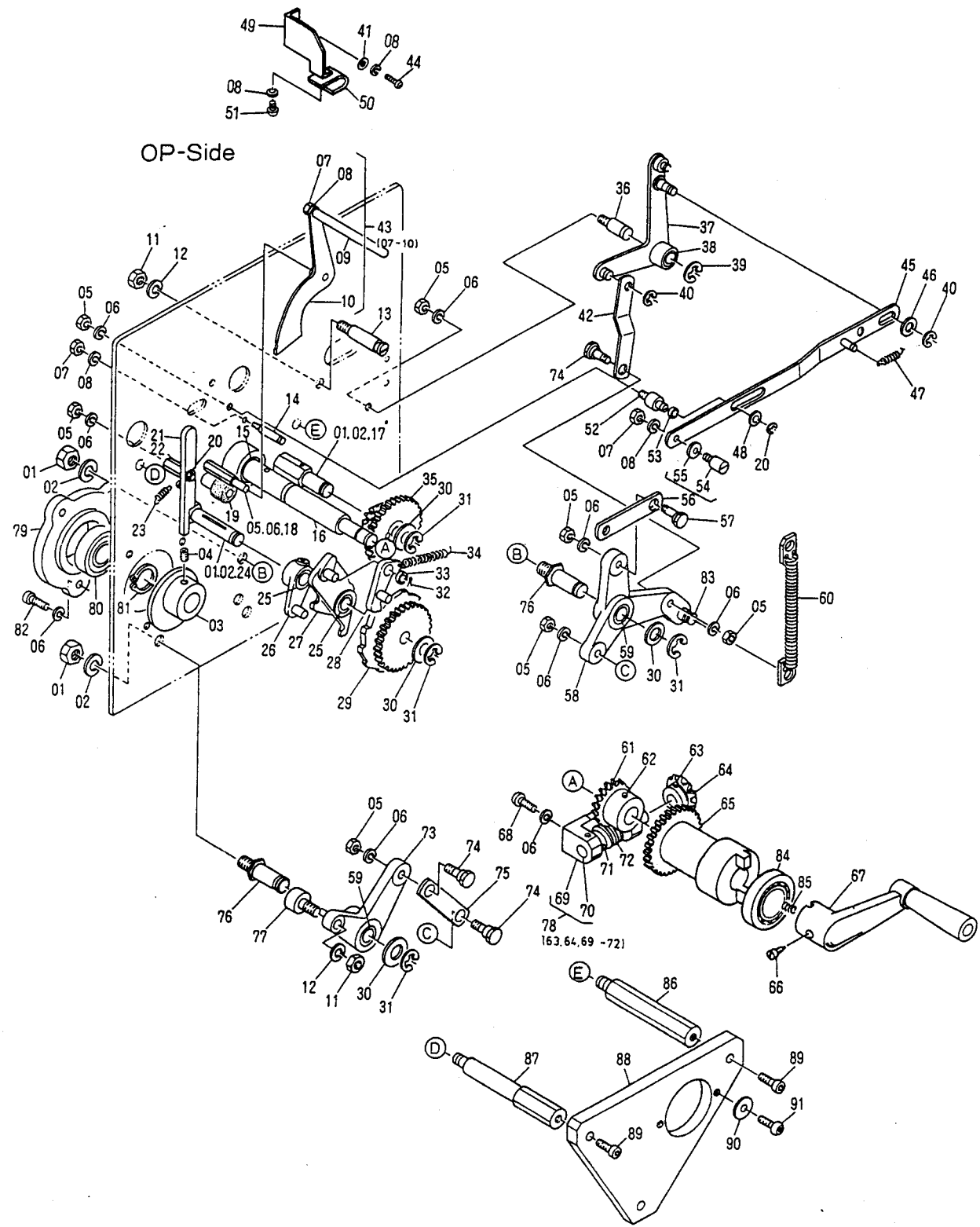
T1007 (1)

INDEX No.	Parts No.	Description (Remarks)	Unit Per Assy							
			C48	C48L	C48SF	-SF C48L	C248E	C248L	-SF C248E	-SF C248L
01	E09-25-3	Solenoid	1	1	0	0	1	1	0	0
02	6501-05003	Solenoid Bracket	1	1	0	0	1	1	0	0
03	180-103	Lock Washer	4	4	0	0	4	4	0	0
04	125-610	Screw	4	4	0	0	4	4	0	0
05	5101-05015	Bracket	1	1	0	0	1	1	0	0
06	184-106	Flat Washer	2	2	0	0	2	2	0	0
07	117-362	Screw	2	2	0	0	2	2	0	0
08	183-181	Roll Pin	1	1	0	0	1	1	0	0
09	181-404	E-Ring	1	1	0	0	1	1	0	0
10	5202-02041	Connecting Link	1	1	0	0	1	1	0	0
11	181-406	E-Ring	1	1	0	0	1	1	0	0
12	6501-05005A	Lever	1	1	0	0	1	1	0	0
13	6501-05006	Stud Pin	1	1	0	0	1	1	0	0
14	180-106	Lock Washer	10	10	0	0	10	10	0	0
15	117-375	Screw	2	2	0	0	2	2	0	0
16	6501-05036	Spring Pin	1	1	0	0	1	1	0	0
17	180-104	Lock Washer	3	3	0	0	3	3	0	0
18	170-104	Nut	3	3	0	0	3	3	0	0
19	180-108	Lock Washer	2	2	0	0	2	2	0	0
20	170-108	Nut	2	2	0	0	2	2	0	0
21	5208-01074	Pin	1	1	0	0	1	1	0	0
22	6501-05008	Spring Pin	1	1	0	0	1	1	0	0
23	6501-05039	Valve	1	1	0	0	1	1	0	0
24	180-105	Lock Washer	4	4	0	0	4	4	0	0
25	125-715	Screw	2	2	0	0	2	2	0	0
26	H05-73-02-3	Pin	1	1	0	0	1	1	0	0
27	H08-13-3	Spring	1	1	0	0	1	1	0	0
28	6501-05009	Valve Lever	1	1	0	0	1	1	0	0
29	6501-05042	Eccentric Pin	1	1	0	0	1	1	0	0
30	170-106	Nut	3	3	0	0	3	3	0	0
31	6501-05002	Connecting Link	1	1	0	0	1	1	0	0
32	6501-05032	Pin	1	1	0	0	1	1	0	0
33	181-410	E-Ring	1	1	0	0	1	1	0	0
34	184-112	Flat Washer	1	1	0	0	1	1	0	0
35	243-620	Bushing	1	1	0	0	1	1	0	0
36	6501-05001A	Lever	1	1	0	0	1	1	0	0
37	184-106.3	Flat Washer	1	1	0	0	1	1	0	0
38	250-126.6	Bearing	1	1	0	0	1	1	0	0
39	CK08-07	Pin	1	1	0	0	1	1	0	0
40	6501-05007	Stud Pin	1	1	0	0	1	1	0	0
41	M22-76-3	Washer	2	2	0	0	2	2	0	0
42	5802-07004	Plate	1	1	0	0	1	1	0	0
43	5802-07002	Chain Sprocket	1	1	0	0	1	1	0	0
44	5802-07003	Bracket	1	1	0	0	1	1	0	0
45	6501-05040	Flat Washer	1	1	0	0	1	1	0	0
46	122-770	Screw	1	1	0	0	1	1	0	0
47	6501-05012	Bushing Bracket	1	1	0	0	1	1	0	0
48	250-204.6	Bearing	1	1	0	0	1	1	0	0
49	181-020	C-Ring	1	1	0	0	1	1	0	0
50	H37-26-3	Spacer	3	3	0	0	3	3	0	0
51	125-708	Screw	3	3	0	0	3	3	0	0
52	117-365	Screw	5	5	0	0	5	5	0	0
53	6501-05043	Cam	1	1	0	0	1	1	0	0
54	5101-05025	Flange	1	1	0	0	1	1	0	0
55	182-189.1	Taper Pin	1	1	0	0	1	1	0	0
56	6501-05026	Cam	1	1	0	0	1	1	0	0
57	117-368	Screw	3	3	0	0	3	3	0	0
58	7201-05003	Cam	1	1	0	0	1	1	0	0
59	184-105	Flat Washer	2	2	0	0	2	2	0	0
60	117-520	Screw	2	2	0	0	2	2	0	0
61	182-215	Taper Pin	1	1	0	0	1	1	0	0
62	6501-05031	Bracket	1	1	0	0	1	1	0	0
63	6502-14029	Pin	1	1	0	0	1	1	0	0
64	250-000.6	Bearing	2	2	0	0	2	2	0	0
65	6502-14030	Guide Roller	1	1	0	0	1	1	0	0
66	5102-16019	Spacer	1	1	0	0	1	1	0	0
67	181-408	E-Ring	1	1	0	0	1	1	0	0
68	R11-60-01-3	Spring	1	1	0	0	1	1	0	0
69	H05-72-01-3	Valve Cover	1	1	0	0	1	1	0	0
70	5801-05033	Bushing	1	1	0	0	1	1	0	0



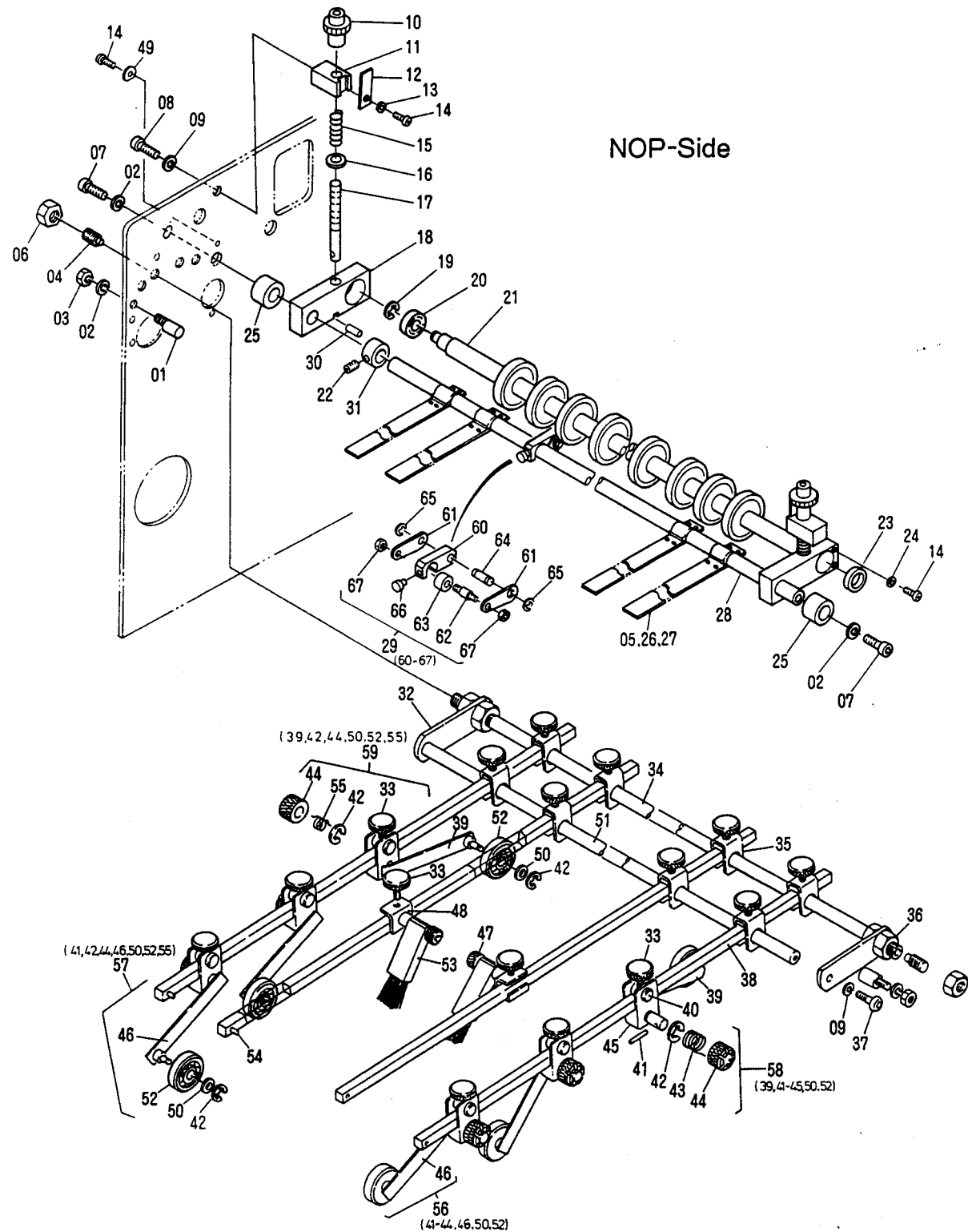
Feed Section
Paper Table Elevator Drive Unit

INDEX No.	Parts No.	Description (Remarks)	Unit Per Assy							
			C48	C48L	C48SF	-SF C48L	C248E	C248L	-SF C248E	-SF C248L
01	170-110	Nut	7	7	0	0	7	7	0	0
02	180-110	Lock Washer	7	7	0	0	7	7	0	0
03	6501-06001	Cam	1	1	0	0	1	1	0	0
04	145-360	Set Screw	2	2	0	0	2	2	0	0
05	170-106	Nut	9	9	0	0	9	9	0	0
06	180-106	Lock Washer	13	13	0	0	13	13	0	0
07	170-105	Nut	3	3	0	0	3	3	0	0
08	180-105	Lock Washer	3	3	0	0	3	3	0	0
09	7201-08008	Ratchet Release Lever Handle	1	1	0	0	1	1	0	0
10	H08-37-1A-3	Ratchet Release Lever	1	1	0	0	1	1	0	0
11	170-108	Nut	2	2	0	0	2	2	0	0
12	180-108	Lock Washer	2	2	0	0	2	2	0	0
13	6501-06008	Spring Pin	1	1	0	0	1	1	0	0
14	4206-08036	Spring Pin	1	1	0	0	1	1	0	0
15	H01-10-3	Bushing	1	1	0	0	1	1	0	0
16	7201-08006	Elevator Sprocket Shaft	1	1	0	0	1	1	0	0
17	H08-05-3	Combination Gear Stud	1	1	0	0	1	1	0	0
18	H08-41-3	Release Lever Pivot Stud	1	1	0	0	1	1	0	0
19	H08-33-3	Rubber Bumper	1	1	0	0	1	1	0	0
20	181-404	E-Ring	2	2	0	0	2	2	0	0
21	H08-23-1A-3	Elevator Detent Pawl	1	1	0	0	1	1	0	0
22	H08-29-3	Detent Pawl Pivot Stud	1	1	0	0	1	1	0	0
23	H08-28-3	Detent Pawl Spring	1	1	0	0	1	1	0	0
24	H08-01-3	Ratchet Stud	1	1	0	0	1	1	0	0
25	H08-16-3	Feeder Operating Lever Bushing	2	2	0	0	2	2	0	0
26	H08-10-1B-3	Ratchet Drive Limit Guide Arm	1	1	0	0	1	1	0	0
27	H08-12-2A-3	Ratchet Pawl Drive Lever	1	1	0	0	1	1	0	0
28	H08-18-1A-3	Drive Pawl	1	1	0	0	1	1	0	0
29	7201-08037A	Elevator Ratchet Gera	1	1	0	0	1	1	0	0
30	184-112	Flat Washer	4	4	0	0	4	4	0	0
31	181-410	E-Ring	4	4	0	0	4	4	0	0
32	183-745	Cotter Pin	1	1	0	0	1	1	0	0
33	H08-21-3	Drive Pawl Collar	1	1	0	0	1	1	0	0
34	H08-13-3	Drive Pawl Spring	1	1	0	0	1	1	0	0
35	7201-08038A	Combination Gear	1	1	0	0	1	1	0	0
36	6501-06011	Stud	1	1	0	0	1	1	0	0
37	6501-06002A	Lever	1	1	0	0	1	1	0	0
38	243-614	Bushing	1	1	0	0	1	1	0	0
39	181-408	E-Ring	1	1	0	0	1	1	0	0
40	181-406	E-Ring	2	2	0	0	2	2	0	0
41	184-105	Flat Washer	2	2	0	0	2	2	0	0
42	6501-06017	Link	1	1	0	0	1	1	0	0
43	7201-08008A	Release Lever Assy (7-10)	1	1	0	0	1	1	0	0
44	125-708	Screw	2	2	0	0	2	2	0	0
45	6501-06009A	Raising Control Drive Lever	1	1	0	0	1	1	0	0
46	184-108	Flat Washer	1	1	0	0	1	1	0	0
47	H07-29-3	Spring	1	1	0	0	1	1	0	0
48	184-106	Flat Washer	1	1	0	0	1	1	0	0
49	7201-08015	Bracket	1	1	0	0	1	1	0	0
50	7201-08010	Flat Spring	1	1	0	0	1	1	0	0
51	125-705	Screw	1	1	0	0	1	1	0	0
52	6501-06013	Stud	1	1	0	0	1	1	0	0
53	6501-06018	Collar	1	1	0	0	1	1	0	0
54	5203-09016	Pivot Pin	1	1	0	0	1	1	0	0
55	5208-06047	Spacer	1	1	0	0	1	1	0	0
56	6501-06006	Link	1	1	0	0	1	1	0	0
57	6501-06021	Eccentric Pin	2	2	0	0	2	2	0	0
58	6501-06004	Lever	1	1	0	0	1	1	0	0
59	H07-08-3	Bushing	2	2	0	0	2	2	0	0
60	CM11-02A	Spring	1	1	0	0	1	1	0	0
61	H09-08-3	Worm Gear	1	1	0	0	1	1	0	0
62	182-171	Taper Pin	1	1	0	0	1	1	0	0
63	183-206	Roll Pin	1	1	0	0	1	1	0	0
64	H09-03-3	Bevel Gear	1	1	0	0	1	1	0	0
65	7201-08005	Intermediate Elevator Gear	1	1	0	0	1	1	0	0
66	H09-02-3	Pivot Screw	1	1	0	0	1	1	0	0
67	H09-16-1A-3	Hand Crank	1	1	0	0	1	1	0	0
68	125-770	Screw	2	2	0	0	2	2	0	0
69	H09-10-3	Worm Bracket	1	1	0	0	1	1	0	0
70	H09-05-3	Worm Shaft	1	1	0	0	1	1	0	0



Feed Section
Paper Table Elevator Drive Unit

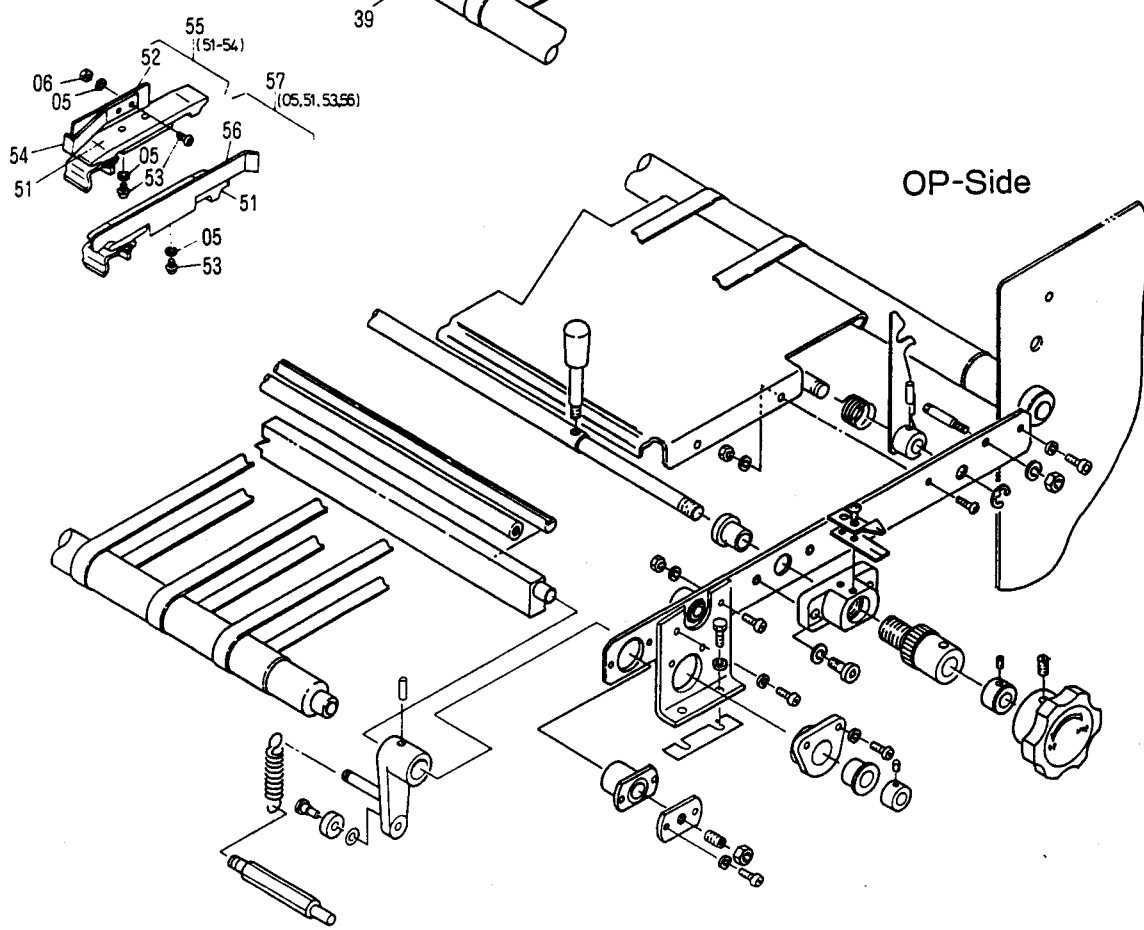
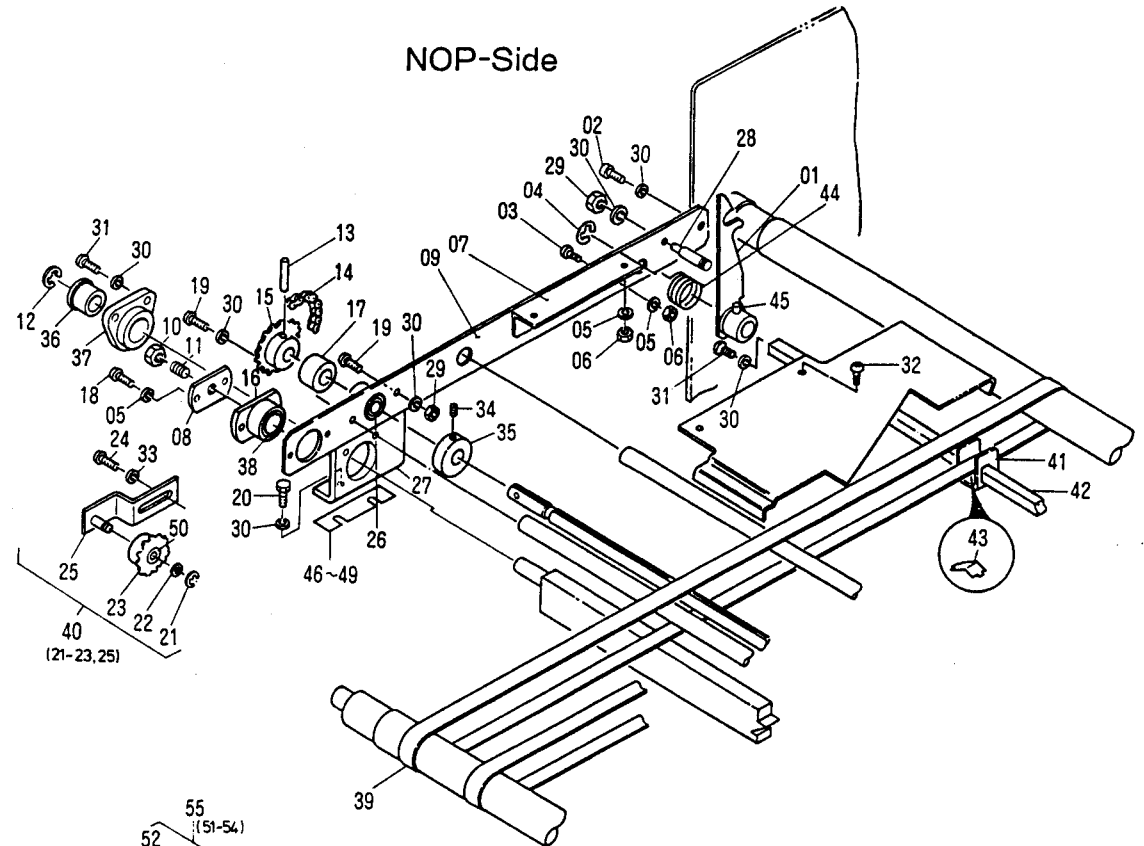
INDEX No.	Parts No.	Description (Remarks)	Unit Per Assy							
			C48	C48L	C48SF	-SF C48L	C248E	C248L	-SF C248E	-SF C248L
71	183-205	Roll Pin	1	1	0	0	1	1	0	0
72	H09-06-3	Worm	1	1	0	0	1	1	0	0
73	6501-06003	Lever	1	1	0	0	1	1	0	0
74	6501-06007	Pin	3	3	0	0	3	3	0	0
75	6501-06005	Link	1	1	0	0	1	1	0	0
76	H07-09-3	Pivot Stud for Feeder Operating Lever	2	2	0	0	2	2	0	0
77	258-651.3	Cam Follower	1	1	0	0	1	1	0	0
78	H09-03-1A-3	Worm Assy (63, 64, 69 - 72)	1	1	0	0	1	1	0	0
79	6501-05013	Bushing	1	1	0	0	1	1	0	0
80	250-204.6	Bearing	1	1	0	0	1	1	0	0
81	181-020	C-Ring	1	1	0	0	1	1	0	0
82	117-365	Screw	3	3	0	0	3	3	0	0
83	6501-05023	Pin	1	1	0	0	1	1	0	0
84	250-157.6	Bushing	1	1	0	0	1	1	0	0
85	H09-31-3	Spring	1	1	0	0	1	1	0	0
86	7201-08011	Stud	2	2	0	0	2	2	0	0
87	7201-08012	Stud	1	1	0	0	1	1	0	0
88	7201-08013	Bracket	1	1	0	0	1	1	0	0
89	117-475	Screw	3	3	0	0	3	3	0	0
90	A17-22-3	Washer	2	2	0	0	2	2	0	0
91	125-760	Screw	2	2	0	0	2	2	0	0



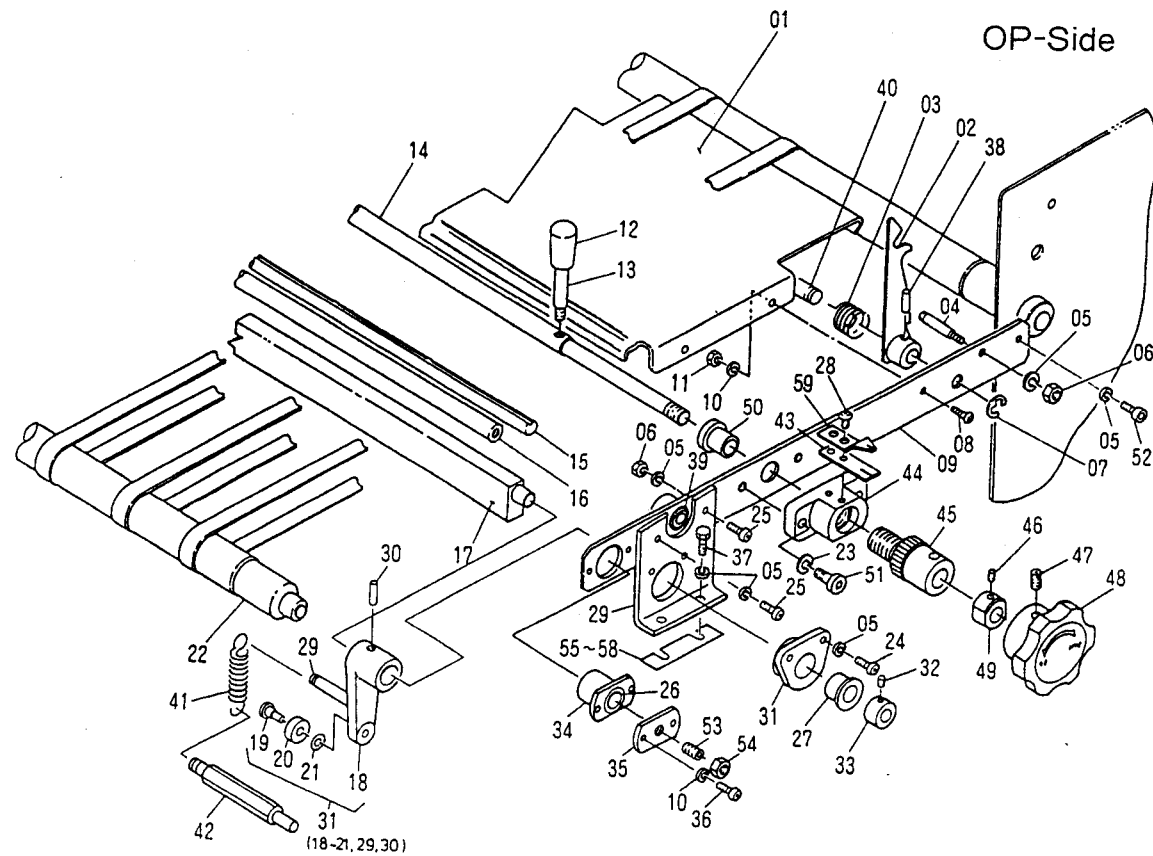
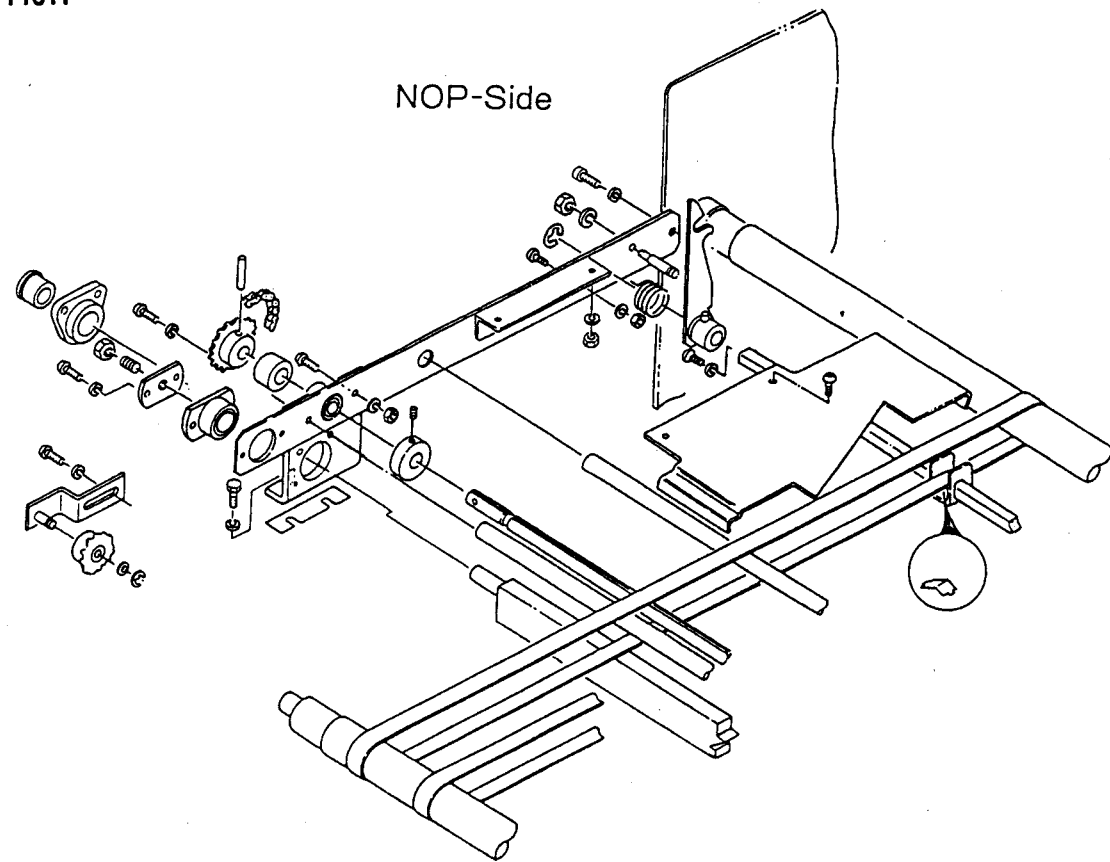
NOP-Side

Feed Section
Pullout Roller and Skid Wheel

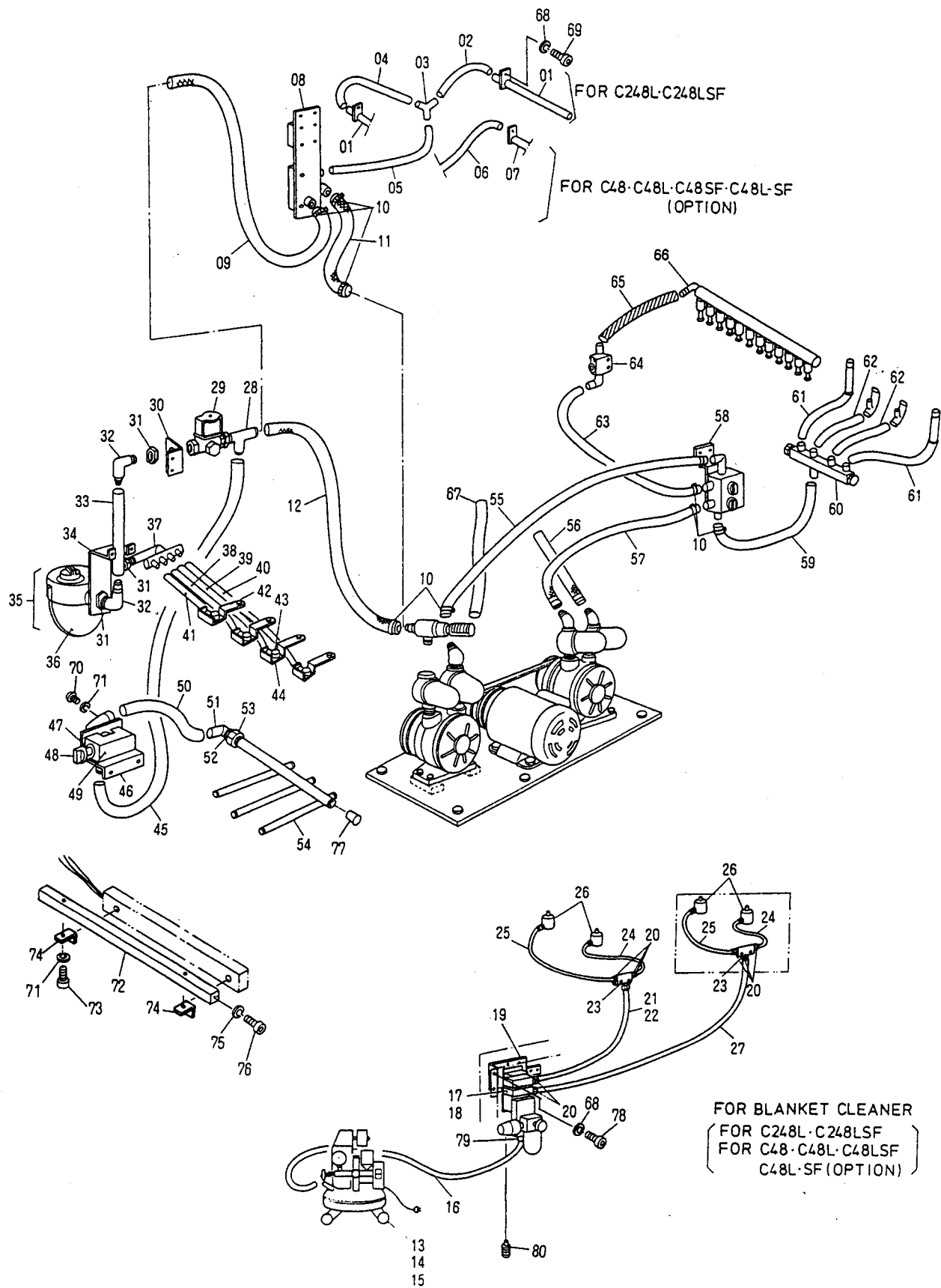
INDEX No.	Parts No.	Description (Remarks)	Unit Per Assy							
			C48	C48L	C48SF	-SF C48L	C248E	C248L	-SF C248E	-SF C248L
01	H07-30-3	Stopper Pin	2	2	0	0	2	2	0	0
02	180-105	Lock Washer	4	4	0	0	4	4	0	0
03	170-105	Nut	2	2	0	0	2	2	0	0
04	140-470	Skidwheel Frame Pilot Pin	2	2	0	0	2	2	0	0
05	7201-10009A	Paper Retainer (L = 324, t = 0.2)	2	2	0	0	2	2	0	0
06	170-108	Nut	2	2	0	0	2	2	0	0
07	117-510	Screw	1	1	0	0	1	1	0	0
08	117-362	Screw	2	2	0	0	2	2	0	0
09	180-106	Lock Washer	4	4	0	0	4	4	0	0
10	H04-60-3	Pullout Roller Pressure Adjustment Knob	2	2	0	0	2	2	0	0
11	6501-02008	Pullout Roller Pressure Adjustment Bracket	2	2	0	0	2	2	0	0
12	H04-57-3	Click Stop	2	2	0	0	2	2	0	0
13	180-104	Lock Washer	2	2	0	0	2	2	0	0
14	125-656	Screw	7	7	0	0	7	7	0	0
15	H04-62-3	Pullout Roller Pressure Compressing Spring	2	2	0	0	2	2	0	0
16	184-106	Flat Washer	2	2	0	0	2	2	0	0
17	6501-02009	Pullout Roller Pressure Adjusting Stem	2	2	0	0	2	2	0	0
18	6501-02007	Upper Pullout Roller Shaft Bracket	2	2	0	0	2	2	0	0
19	181-405	E-Ring	2	2	0	0	2	2	0	0
20	250-126.6	Bearing	2	2	0	0	2	2	0	0
21	7201-02018	Upper Pullout Roller	1	1	0	0	1	1	0	0
22	145-506	Set Screw	1	1	0	0	1	1	0	0
23	5801-02010	Collar	1	1	0	0	1	1	0	0
24	184-104	Flat Washer	4	4	0	0	4	4	0	0
25	6501-02010	Spacer	2	2	0	0	2	2	0	0
26	H11-19-1D-3	Paper Retainer (L = 462, t = 0.2mm)	4	4	0	0	4	4	0	0
27	H11-19-1B-3	Paper Retainer (L = 462, t = 0.1mm)	4	4	0	0	4	4	0	0
28	6501-02014	Upper Pullout Roller Pilot Shaft	1	1	0	0	1	1	0	0
29	6501-02015A	Guide Roller Assy (60 - 67)	4	4	0	0	4	4	0	0
30	183-180	Roll Pin	2	2	0	0	2	2	0	0
31	H38-20-3	Collar	2	2	0	0	2	2	0	0
32	S30-01-3	Skidwheel Frame	2	2	0	0	2	2	0	0
33	EH10-12	Thumb Screw	16	16	0	0	16	16	0	0
34	H11-01-7	Skidwheel Frame Pilot Shaft	1	1	0	0	1	1	0	0
35	H31-03-3	Guide Arm Bracket	8	8	0	0	8	8	0	0
36	170-110.3	Nut	4	4	0	0	4	4	0	0
37	125-762	Screw	2	2	0	0	2	2	0	0
38	H31-17-3	Skidwheel Bracket Guide Arm	4	4	0	0	4	4	0	0
39	5801-10084D	Skidwheel Arm	2	2	0	0	2	2	0	0
40	H31-05-3	Lock Pin	6	6	0	0	6	6	0	0
41	183-142	Roll Pin	6	6	0	0	6	6	0	0
42	181-406	E-Ring	12	12	0	0	12	12	0	0
43	H31-12-3	Skidwheel Spring	3	3	0	0	3	3	0	0
44	H31-11-3	Skidwheel Knob	6	6	0	0	6	6	0	0
45	H31-04-3	Skidwheel Bracket	6	6	0	0	6	6	0	0
46	5801-10084A	Skidwheel Arm	4	4	0	0	4	4	0	0
47	H15-84-3	Thumb Nut	2	2	0	0	2	2	0	0
48	H15-82-1A-3	Brush Bracket	1	1	0	0	1	1	0	0
49	H01-21-3	Washer	6	6	0	0	6	6	0	0
50	184-108	Flat Washer	6	6	0	0	6	6	0	0
51	H11-03-01-7	Skidwheel Frame Spreader	1	1	0	0	1	1	0	0
52	250-138	Skidwheel (Brg. 638)	6	6	0	0	6	6	0	0
53	5801-10076	Brush	2	2	0	0	2	2	0	0
54	183-152	Roll Pin	4	4	0	0	4	4	0	0
55	H31-13-3	Skidwheel Spring (OP-S)	3	3	0	0	3	3	0	0
56	5801-10084I	Skidroller Assy (OP-S) (41 - 44, 46, 50, 52)	2	2	0	0	2	2	0	0
57	5801-10084J	Skidroller Assy (NOP-S) (41, 42, 44, 46, 50, 52, 55)	2	2	0	0	2	2	0	0
58	5801-10084E	Skidroller Assy (OP-S) (39, 41 - 45, 50, 52)	1	1	0	0	1	1	0	0
59	5801-10084F	Skidroller Assy (NOP-S) (39, 42, 44, 50, 52, 55)	1	1	0	0	1	1	0	0
60	6501-02015	Bracket	4	4	0	0	4	4	0	0
61	6501-02016	Plate	8	8	0	0	8	8	0	0
62	5101-02021	Guide Roller Shaft	4	4	0	0	4	4	0	0
63	5101-02022	Guide Roller	4	4	0	0	4	4	0	0
64	5101-02030	Pin	4	4	0	0	4	4	0	0
65	181-404	E-Ring	8	8	0	0	8	8	0	0
66	CP18-64	Knob	4	4	0	0	4	4	0	0
67	C-216A-01	U-Nut	8	8	0	0	8	8	0	0



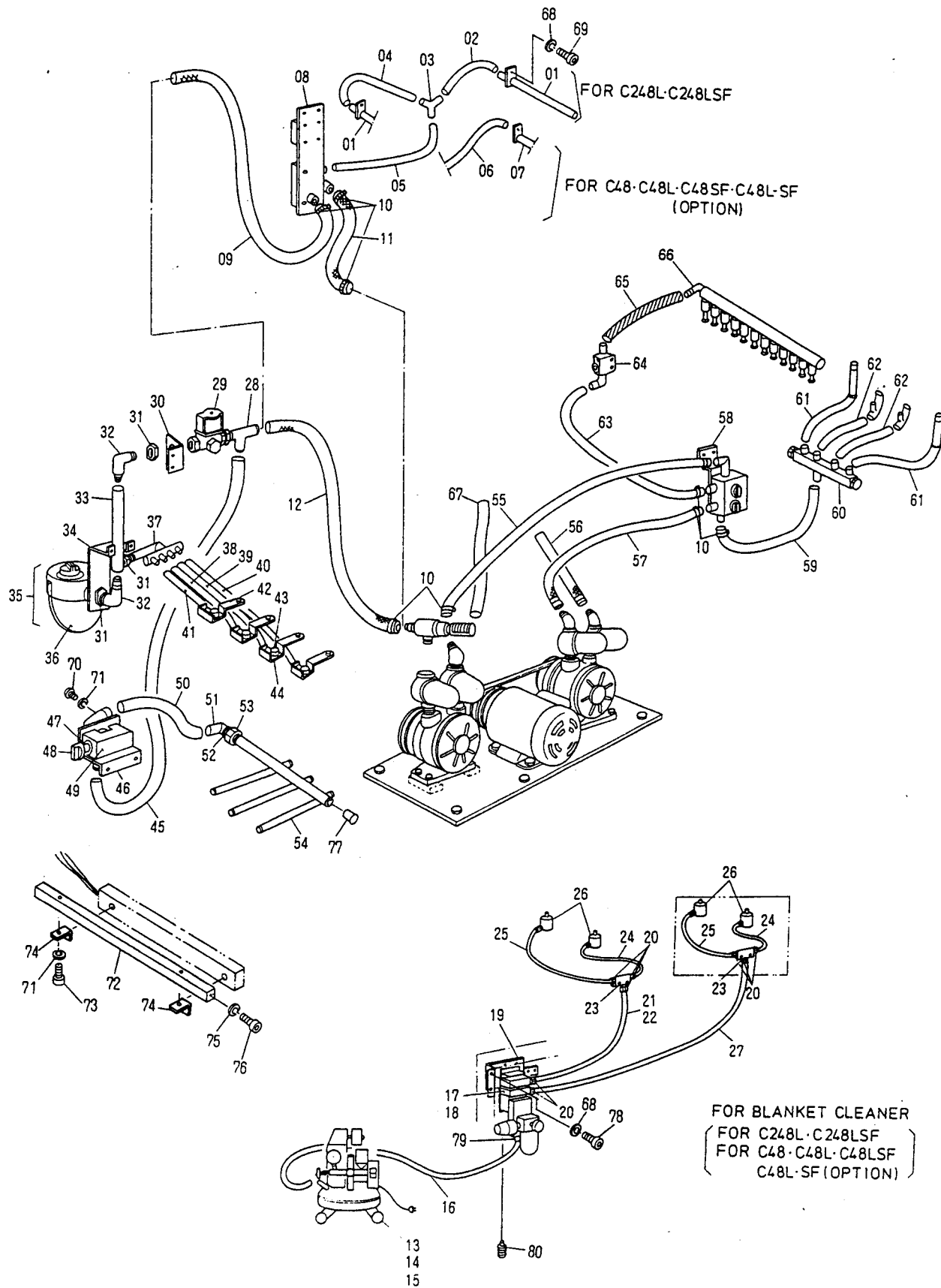
INDEX No.	Parts No.	Description (Remarks)	Unit Per Assy								
			C48	C48L	C48SF	-SF C48L	C248E	C248L	-SF C248E	-SF C248L	
01	H30-13-1B-3	Hook	1	1	0	0	1	1	0	0	
02	117-515	Screw	1	1	0	0	1	1	0	0	
03	125-662	Screw	2	2	0	0	2	2	0	0	
04	181-408	E-Ring	1	1	0	0	1	1	0	0	
05	180-104	Lock Washer	12	12	0	0	12	12	0	0	
06	170-104	Nut	6	6	0	0	6	6	0	0	
07	H10-89-3	Conveyor Table Support	1	1	0	0	1	1	0	0	
08	7201-10004	Bracket	1	1	0	0	1	1	0	0	
09	EH10-02A	Conveyor Frame (NOP-S)	1	1	0	0	1	1	0	0	
10	I18-60-3	Nut	1	1	0	0	1	1	0	0	
11	I18-59-1A-3	Snubber	1	1	0	0	1	1	0	0	
12	181-410	E-Ring	1	1	0	0	1	1	0	0	
13	183-186	Roll Pin	1	1	0	0	1	1	0	0	
14	7202-07024	Chain	1	1	0	0	1	1	0	0	
15	H38-14-3	Sprocket	1	1	0	0	1	1	0	0	
16	H10-14-01-3	Flanged Needle Bearing Case	1	1	0	0	1	1	0	0	
17	6502-07011	Spacing Collar	1	1	0	0	1	1	0	0	
18	125-665	Screw	2	2	0	0	2	2	0	0	
19	125-718	Screw	2	2	0	0	2	2	0	0	
20	101-512	Screw	2	2	0	0	2	2	0	0	
21	181-404	E-Ring	1	1	0	0	1	1	0	0	
22	184-106	Flat Washer	1	1	0	0	1	1	0	0	
23	CK02-90	Idler Sprocket	1	1	0	0	1	1	0	0	
24	125-762	Screw	2	2	0	0	2	2	0	0	
25	7201-02014A	Idle Sprocket Bracket	1	1	0	0	1	1	0	0	
26	243-612	Bushing	Included in 09	1	1	0	0	1	1	0	0
27	7201-10002	Side Frame	1	1	0	0	1	1	0	0	
28	H30-15-3	Spring Pin	1	1	0	0	1	1	0	0	
29	170-105	Nut	2	2	0	0	2	2	0	0	
30	180-105	Lock Washer	10	10	0	0	10	10	0	0	
31	125-710	Screw	4	4	0	0	4	4	0	0	
32	125-662	Screw	2	2	0	0	2	2	0	0	
33	180-106	Lock Washer	2	2	0	0	2	2	0	0	
34	145-506	Set Screw	1	1	0	0	1	1	0	0	
35	H38-20-3	Collar	1	1	0	0	1	1	0	0	
36	7202-06002	Bushing	1	1	0	0	1	1	0	0	
37	7202-06001	Bracket	1	1	0	0	1	1	0	0	
38	258-012	Bearing	1	1	0	0	1	1	0	0	
39	H10-78-3	Conveyor Tape	6	6	0	0	6	6	0	0	
40	7201-02014B	Chain Tightener Assy (21 - 23, 25)	1	1	0	0	1	1	0	0	
41	H10-33-3	Tape Guide	6	6	0	0	6	6	0	0	
42	H10-29-31-7	Tape Guide Cross Bar	1	1	0	0	1	1	0	0	
43	H10-34-3	Tape Guide Spring	6	6	0	0	6	6	0	0	
44	H30-14-3	Spring	1	1	0	0	1	1	0	0	
45	183-186	Roll Pin	1	1	0	0	1	1	0	0	
46	7201-10005	Spacer (t = 1.0mm)									
47	7201-10006	Spacer (t = 0.5mm)									
48	7201-10007	Spacer (t = 0.3mm)									
49	7201-10008	Spacer (t = 0.2mm)									
50	CK02-91	Bearing	1	1	0	0	1	1	0	0	
51	H11-69-1A-3	Guide	2	2	0	0	2	2	0	0	
52	H11-80-3	Guide	1	1	0	0	1	1	0	0	
53	125-655	Screw	6	6	0	0	6	6	0	0	
54	H110-76-01-3	Spring	1	1	0	0	1	1	0	0	
55	H11-69-1B-3	Guide Assy (05, 06, 51 - 54)	1	1	0	0	1	1	0	0	
56	H11-78-3	Guide	1	1	0	0	1	1	0	0	
57	H11-69-1C-3	Guide Assy (05, 51, 53, 56)	1	1	0	0	1	1	0	0	



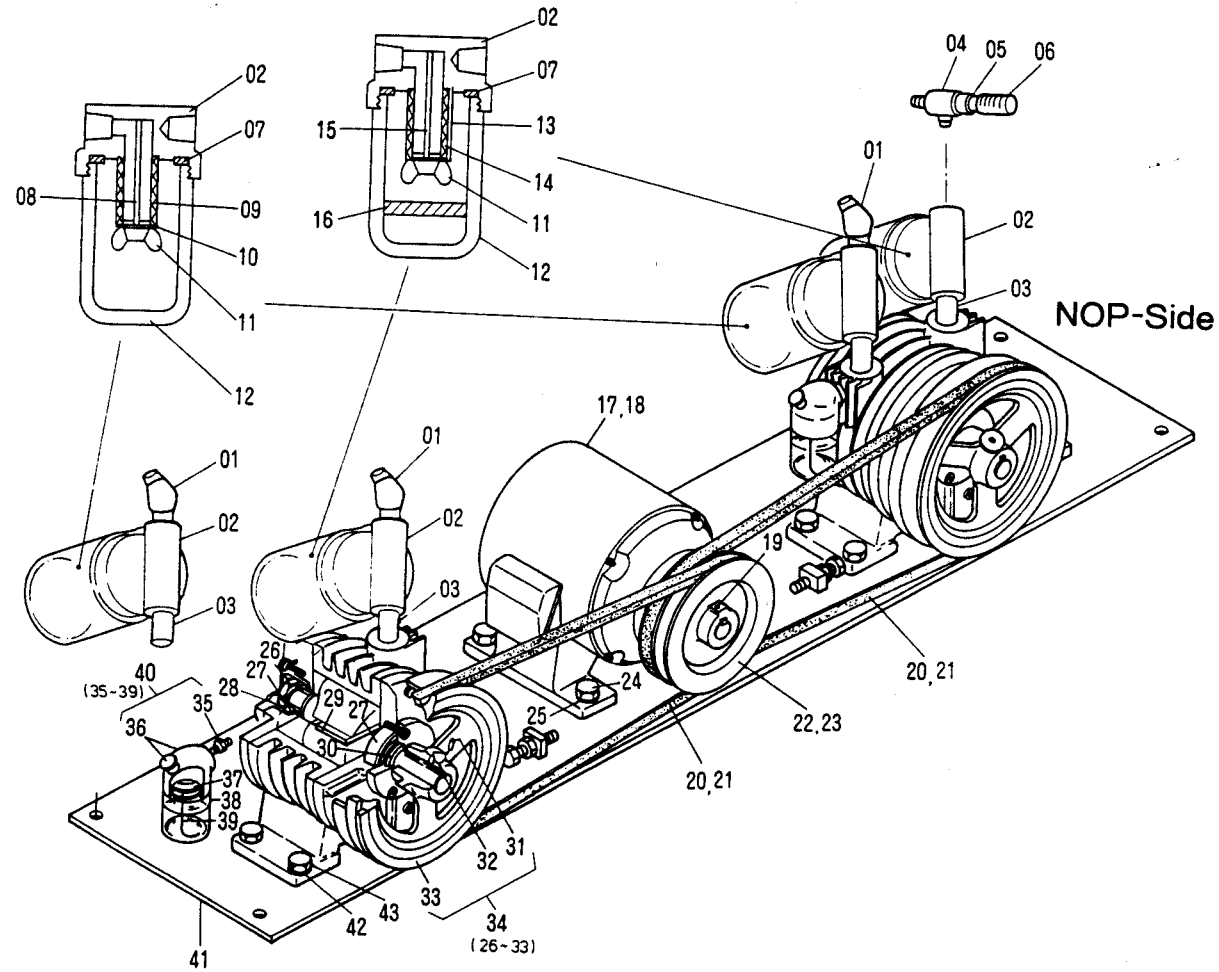
INDEX No.	Parts No.	Description (Remarks)	Unit Per Assy							
			C48	C48L	C48SF	C48L ^{SF}	C248E	C248L	C248E ^{SF}	C248L ^{SF}
01	H30-08-7	Conveyor Table	1	1	0	0	1	1	0	0
02	H30-13-1B-3	Hook	1	1	0	0	1	1	0	0
03	H30-14-3	Twist Spring	1	1	0	0	1	1	0	0
04	H30-15-3	Spring Pin	1	1	0	0	1	1	0	0
05	180-105	Lock Washer	8	8	0	0	8	8	0	0
06	170-105	Nut	2	2	0	0	2	2	0	0
07	181-408	E-Ring	1	1	0	0	1	1	0	0
08	125-662	Screw	2	2	0	0	2	2	0	0
09	EH10-01A	Conveyor Frame	1	1	0	0	1	1	0	0
10	180-104	Lock Washer	4	4	0	0	4	4	0	0
11	170-104	Nut	2	2	0	0	2	2	0	0
12	H12-30-3	Knob	1	1	0	0	1	1	0	0
13	H30-18-3	Lock Handle	1	1	0	0	1	1	0	0
14	6502-06002	Micro Adjustment Shaft	1	1	0	0	1	1	0	0
15	6502-07007	Drive Gear Shaft	1	1	0	0	1	1	0	0
16	H30-07-7	Conveyor Frame Spreader	1	1	0	0	1	1	0	0
17	7201-10003	Kick Bar	1	1	0	0	1	1	0	0
18	7202-06003	Lever	1	1	0	0	1	1	0	0
19	5202-04028	Pin	1	1	0	0	1	1	0	0
20	250-126.6	Bearing (BRG. 626ZZ)	1	1	0	0	1	1	0	0
21	184-106.3	Washer	1	1	0	0	1	1	0	0
22	H10-12-1A-7	2nd Tape Roller	1	1	0	0	1	1	0	0
23	180-106	Lock Washer	2	2	0	0	2	2	0	0
24	125-710	Screw	2	2	0	0	2	2	0	0
25	125-718	Screw	2	2	0	0	2	2	0	0
26	258-012	Bearing	2	2	0	0	2	2	0	0
27	7202-06002	Bushing	1	1	0	0	1	1	0	0
28	125-656	Screw	2	2	0	0	2	2	0	0
29	7202-06006	Pin	1	1	0	0	1	1	0	0
30	182-168	Taper Pin	1	1	0	0	1	1	0	0
31	7202-06003A	Lever Assy (18-21, 29, 30)	1	1	0	0	1	1	0	0
32	145-358	Set Screw	1	1	0	0	1	1	0	0
33	R11-78-3	Collar	1	1	0	0	1	1	0	0
34	H10-14-01-3	Foanged Case Needle Bearing Case	1	1	0	0	1	1	0	0
35	7201-10004	Bracket	1	1	0	0	1	1	0	0
36	125-665	Screw	2	2	0	0	2	2	0	0
37	101-512	Screw	2	2	0	0	2	2	0	0
38	183-186	Roll Pin	1	1	0	0	1	1	0	0
39	243-612	Bushing	1	1	0	0	1	1	0	0
40	H30-10-7	Shaft	1	1	0	0	1	1	0	0
41	7202-06008	Spring	1	1	0	0	1	1	0	0
42	7202-06007	Stud	1	1	0	0	1	1	0	0
43	EH10-10	Click Stop	1	1	0	0	1	1	0	0
44	EH10-07	Bracket	1	1	0	0	1	1	0	0
45	6502-06001	Sleeve	1	1	0	0	1	1	0	0
46	145-406	Screw	1	1	0	0	1	1	0	0
47	140-356	Screw	1	1	0	0	1	1	0	0
48	4207-05006A	Handle	1	1	0	0	1	1	0	0
49	EH10-05	Nut	1	1	0	0	1	1	0	0
50	EH10-04	Spacer	1	1	0	0	1	1	0	0
51	117-365	Screw	2	2	0	0	2	2	0	0
52	117-515	Screw	1	1	0	0	1	1	0	0
53	I18-59-1A-3	Snubber	1	1	0	0	1	1	0	0
54	I18-60-3	Nut	1	1	0	0	1	1	0	0
55	7201-10005	Spacer (t = 1.0mm)	-	-	0	0	-	-	0	0
56	7201-10006	Spacer (t = 0.5mm)	-	-	0	0	-	-	0	0
57	7201-10007	Spacer (t = 0.3mm)	-	-	0	0	-	-	0	0
58	7201-10008	Spacer (t = 0.2mm)	-	-	0	0	-	-	0	0
59	6502-06003	Indicator	1	1	0	0	1	1	0	0



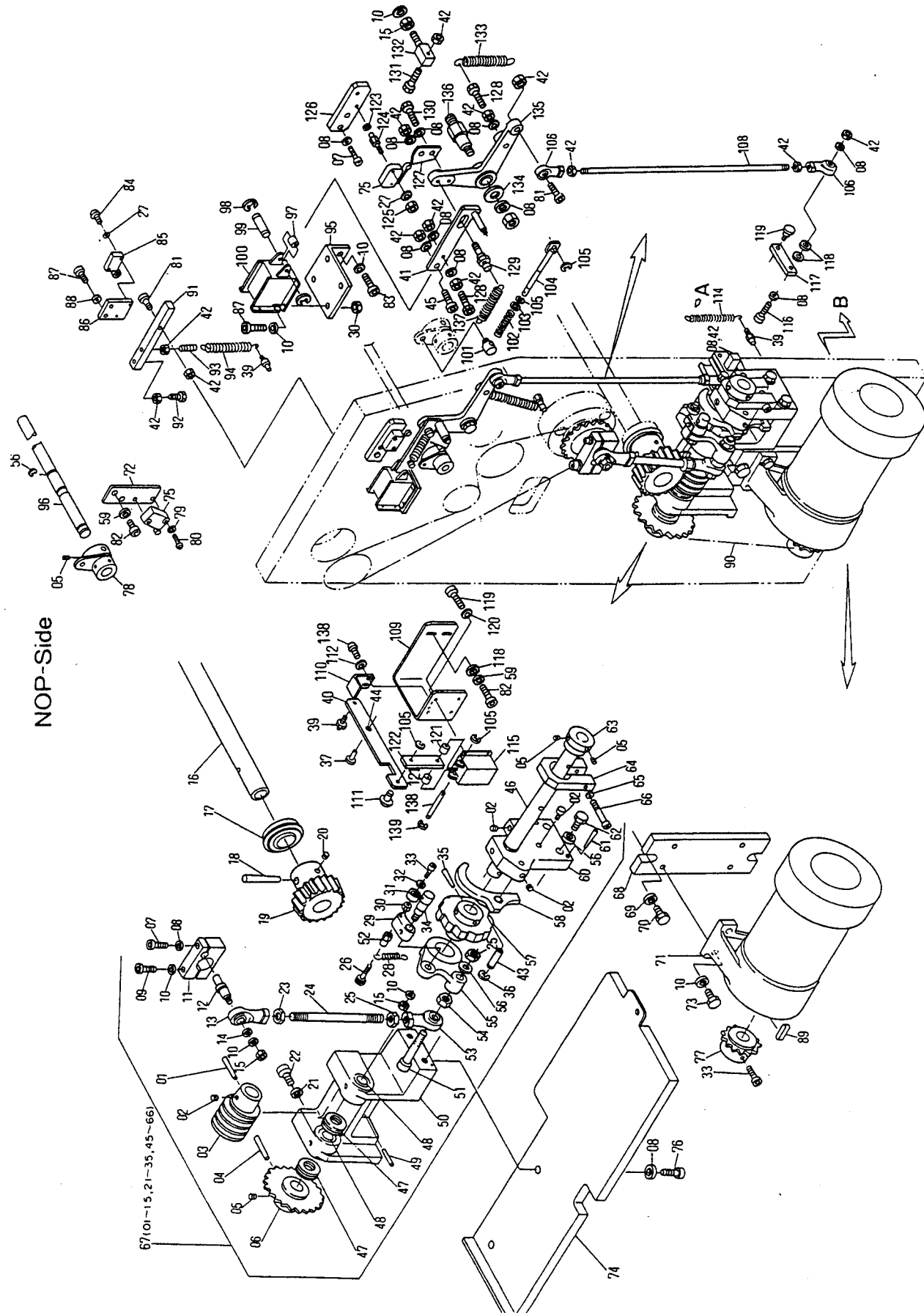
INDEX No.	Parts No.	Description (Remarks)	Units Per Assy							
			C48	C48L	C48SF	-SF C48L	C248E	C248L	-SF C248E	-SF C248L
01	7203-09155	Blower Nozzule	0	0	0	0	0	2	0	2
02	7201-12022	Hose (for C248L, C248L-SF 1P)	0	0	0	0	0	1	0	1
03	H13-46-01-3	Hose Joint	0	0	0	0	0	1	0	1
04	7201-12023	Hose	0	0	0	0	0	1	0	1
05	7201-12021	Hose	0	0	0	0	0	1	0	1
06	7201-12024	Hose (C48, C48L, C48SF, C48L-SF Option)	0	0	0	0	0	0	0	0
07	7203-09154	Blower Nozzule	1	1	1	1	0	0	0	0
08	CP09-41A	Valve Assy (C48, C48L, C48SF, C48L-SF Option)	1	1	1	1	0	1	0	1
09	7201-12013	Hose	1	1	1	1	0	1	0	1
10	H13-54-01-3	Hose Band	11	11	11	11	8	11	8	11
11	7201-12007	Hose (C48, C48L, C48SF, C48L-SF Option)	1	1	1	1	0	1	0	1
12	7201-12014	Hose	1	1	1	1	1	0	1	0
13	7203-09150	Compression (200V) (C48, C48L, C48SF, C48L-SF Option)	1	1	1	1	0	1	0	1
14	7203-09180	Compression (380V)	1	1	1	1	0	1	0	1
15	7203-09181	Compression (415V)	1	1	1	1	0	1	0	1
16	6203-09081	Hose	1	1	1	1	0	1	0	1
17	7203-09149	Air Controller	0	0	0	0	0	1	0	1
18	7203-09184	Air Controller (C48, C48L, C48SF, C48L-SF Option)	1	1	1	1	0	0	0	0
19	7203-09171	Bracket	1	1	1	1	0	1	0	1
20	6203-09066	Nut	4	4	4	4	0	8	0	8
21	7203-09167	Hose	1	1	1	1	0	0	0	0
22	7203-09169	Hose	0	0	0	0	0	1	0	1
23	6203-09065	Hose Joint (C48, C48L, C48SF, C48L-SF Option)	1	1	1	1	0	2	0	2
24	7203-09166	Hose	1	1	1	1	0	2	0	2
25	7203-09165	Hose	1	1	1	1	0	2	0	2
26	6203-09070	Air Cylinder	2	2	2	2	0	4	0	4
27	7203-09168	Hose	0	0	0	0	0	1	0	1
28	CH06-17	Hose Joint	1	1	1	1	1	1	1	1
29	E09-42-02-3	Air Valve	1	1	1	1	1	1	1	1
30	5804-06010	Bracket	1	1	1	1	1	1	1	1
31	DS-05	Nut	3	3	3	3	3	3	3	3
32	DS-04	Hose Joint	2	2	2	2	2	2	2	2
33	7201-12026	Hose	1	1	1	1	1	1	1	1
34	7204-06002	Bracket	1	1	1	1	1	1	1	1
35	A07-16-1C-3	Spray Bottle Assy	1	1	1	1	1	1	1	1
36	A07-16-3	Spray Bottle (Included in 35)	1	1	1	1	1	1	1	1
37	5804-06018	Hose Joint	1	1	1	1	1	1	1	1
38	7201-12018	Hose	1	1	1	1	1	1	1	1
39	7201-12019	Hose	1	1	1	1	1	1	1	1
40	7201-12020	Hose	1	1	1	1	1	1	1	1
41	7201-12017	Hose	1	1	1	1	1	1	1	1
42	5804-06002	Arm	4	4	4	4	4	4	4	4
43	CK06-03	Elbow	4	4	4	4	4	4	4	4
44	A07-37-3	Spray Nozzle	4	4	4	4	4	4	4	4
45	7201-12012	Hose	1	1	1	1	1	1	1	1
46	5804-06019	Bracket	1	1	1	1	1	1	1	1
47	5804-06006	Valve Shaft	1	1	1	1	1	1	1	1
48	H13-14-3	Air Control Knob	1	1	1	1	1	1	1	1
49	5804-06004B	Valve Bracket	1	1	1	1	1	1	1	1
50	7201-12025	Hose	1	1	1	1	1	1	1	1
51	5804-06009	Hose Joint	1	1	1	1	1	1	1	1
52	180-412	Lock Washer	1	1	1	1	1	1	1	1
53	CH06-23	Nut	1	1	1	1	1	1	1	1
54	7204-06001A	Air Shower Pipe	1	1	1	1	1	1	1	1
55	7201-12006	Hose	1	1	0	0	1	1	0	0
56	7201-12008	Hose	1	1	0	0	1	1	0	0
57	7201-12009	Hose	1	1	0	0	1	1	0	0
58	7201-12001A	Air Control Valve Assy	1	1	0	0	1	1	0	0
59	7201-12011	Hose	1	1	0	0	1	1	0	0
60	EH13-08	Hose Joint	1	1	0	0	1	1	0	0
61	7201-12015	Hose	2	2	0	0	2	2	0	0
62	7201-12016	Hose	2	2	0	0	2	2	0	0
63	7201-12010	Hose	1	1	0	0	1	1	0	0
64	6501-05039A	Air Timing Valve Assy	1	1	0	0	1	1	0	0
65	7201-12027	Hose	1	1	0	0	1	1	0	0
66	5801-05041	Hose Joint	1	1	0	0	1	1	0	0
67	7201-12028	Hose	1	1	0	0	1	1	0	0
68	180-106	Lock Washer	1	1	0	0	2	2	0	0
69	117-365	Screw	1	1	0	0	2	2	0	0
70	125-710	Screw	2	2	0	0	2	2	0	0



INDEX No.	Parts No.	Description (Remarks)	Units Per Assy							
			C48	C48L	C48SF	-SF C48L	C248E	C248L	-SF C248E	-SF C248L
71	180-105	Lock Washer	2	2	0	0	2	2	0	0
72	7204-01006	Stay	1	1	0	0	1	1	0	0
73	117-510	Screw	2	2	0	0	2	2	0	0
74	7204-06005	Bracket	2	2	0	0	2	2	0	0
75	180-108	Lock Washer	2	2	0	0	2	2	0	0
76	117-483	Screw	2	2	0	0	2	2	0	0
77	320-595	Plug	1	1	0	0	1	1	0	0
78	117-360	Screw	2	2	0	0	2	2	0	0
79	6203-09078	Plug	1	1	0	0	1	1	0	0
80	6203-09076	Silencer	1	1	0	0	1	1	0	0



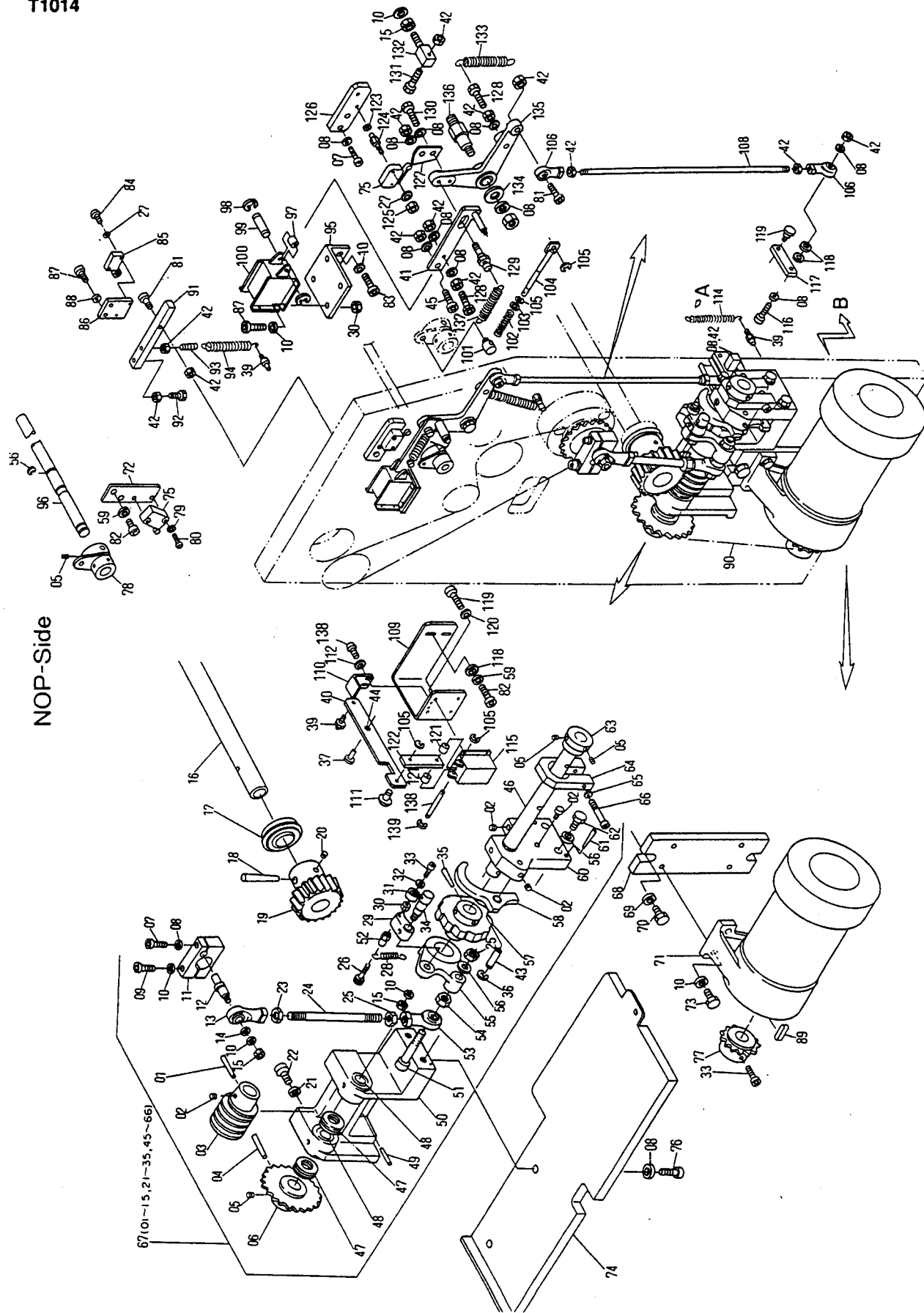
INDEX No.	Parts No.	Description (Remarks)	Unit Per Assy							
			C48	C48L	C48SF	-SF C48L	C248E	C248L	-SF C248E	-SF C248L
01	CK16-20	Inlet (Outlet) Hose Fitting	3	3	0	0	3	3	0	0
02	EH13-05	Filter Bracket	4	4	0	0	4	4	0	0
03	EH13-09	Nipple	4	4	0	0	4	4	0	0
04	CK16-21	Hose Joint	1	1	0	0	1	1	0	0
05	EH23-04	Bushing	1	1	0	0	1	1	0	0
06	H33-03-3	Orifice	1	1	0	0	1	1	0	0
07	H13-25-3	Gasket	4	4	0	0	4	4	0	0
08	H13-26-3	Filter Retaining Stem	2	2	0	0	2	2	0	0
09	H13-28-3	Filter	2	2	0	0	2	2	0	0
10	H13-27-3	Filter Retaining Plate	2	2	0	0	2	2	0	0
11	163-105	Wing Nut for Filter Retaining	2	2	0	0	2	2	0	0
12	H13-24-3	Filter Bottle	4	4	0	0	4	4	0	0
13	H13-27-31-3	Cap	2	2	0	0	2	2	0	0
14	H13-28-31-3	Filter	2	2	0	0	2	2	0	0
15	H13-26-31-3	Filter Retaining Stem	2	2	0	0	2	2	0	0
16	H13-27-1P-3	Oil Catch	2	2	0	0	2	2	0	0
17	E01-66-3	Pump Motor (200V, 0.75kw) 3 Phase	1	1	0	0	1	1	0	0
18	E01-68-3	Pump Motor (220V/380V, 0.75kw) 3 Phase	1	1	0	0	1	1	0	0
19	145-360	Set Screw	1	1	0	0	1	1	0	0
20	KV-11	Pump Drive Belt A-35" 50HZ	1	1	0	0	1	1	0	0
21	F33-11-01-3	Pump Drive Belt A-34" 60HZ	1	1	0	0	1	1	0	0
22	F33-01-32-3	Pump Drive Motor Pulley 50HZ	1	1	0	0	1	1	0	0
23	F33-02-32-3	Pump Drive Motor Pulley 60HZ	1	1	0	0	1	1	0	0
24	101-462	Screw	4	4	0	0	4	4	0	0
25	180-108	Lock Washer	4	4	0	0	4	4	0	0
26	174-704	Bearing Nut	2	2	0	0	2	2	0	0
27	H13-77-3	Ball Bearing	4	4	0	0	4	4	0	0
28	180-704	Ring Key	4	4	0	0	4	4	0	0
29	H13-91-01-3	Rotor Brades	8	8	0	0	8	8	0	0
30	H13-98-3	Oil Shield	2	2	0	0	2	2	0	0
31	145-365	Set Screw	2	2	0	0	2	2	0	0
32	H13-97-3	Key for Pump Pulley	2	2	0	0	2	2	0	0
33	H13-92-3	Pump Pulley	2	2	0	0	2	2	0	0
34	EH13-01A	Pump with Pulley (26 - 33)	2	2	0	0	2	2	0	0
35	H13-61-01-3	Oil Reservoir Bottle Nipple	2	2	0	0	2	2	0	0
36	H13-57-0A-3	Oil Cap	2	2	0	0	2	2	0	0
37	H13-60-3	Oil Reservoir Washer	2	2	0	0	2	2	0	0
38	H13-59-3	Oil Reservoir Bottle	2	2	0	0	2	2	0	0
39	H13-62-3	Oil Wick	2	2	0	0	2	2	0	0
40	H13-57-1B-3	Oil Reservoir Assy (35 - 39)	2	2	0	0	2	2	0	0
41	5801-12045	Motor Pump Mounting Platform	1	1	0	0	1	1	0	0
42	180-110	Lock Washer	8	8	0	0	8	8	0	0
43	101-571	Screw	8	8	0	0	8	8	0	0



NOP-Side

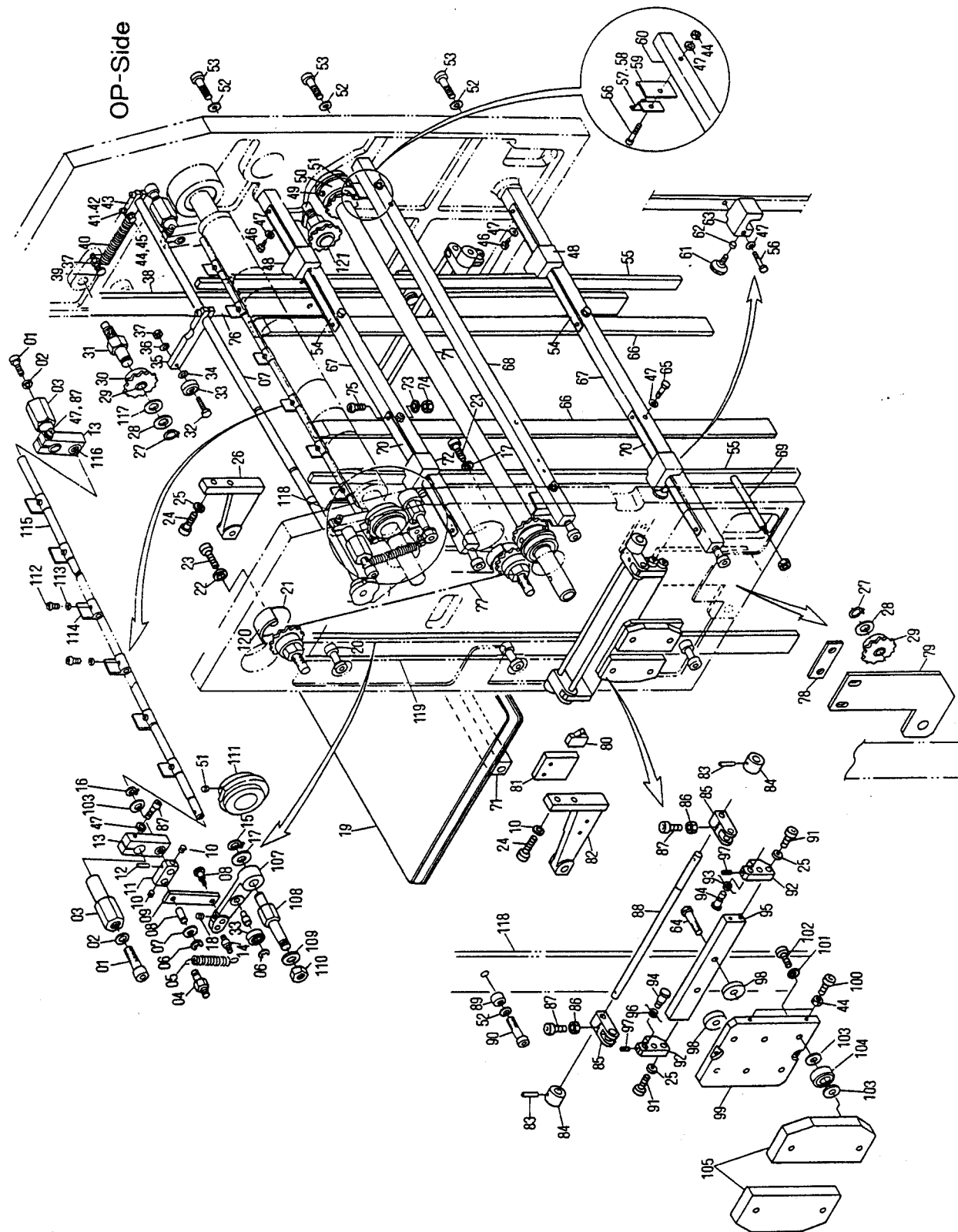
Feed Section
Feeder Pile Drive Mechanism

INDEX No.	Parts No.	Description (Remarks)	Unit Per Assy							
			C48	C48L	C48SF	-SF C48L	C248E	C248L	-SF C248E	-SF C248L
01	182-209.1	Taper Pin	0	0	1	1	0	0	1	1
02	145-358	Set Screw	0	0	7	7	0	0	7	7
03	F1-101	Worm	0	0	1	1	0	0	1	1
04	182-211	Taper Pin	0	0	1	1	0	0	1	1
05	145-360	Set Screw	0	0	3	3	0	0	3	3
06	F1-11	Chain Sprocket	0	0	1	1	0	0	1	1
07	117-370	Screw	0	0	3	3	0	0	3	3
08	180-406	Washer	0	0	14	14	0	0	14	14
09	117-481	Screw	0	0	1	1	0	0	1	1
10	180-408	Washer	0	0	8	8	0	0	8	8
11	F1-105	Bracket	0	0	1	1	0	0	1	1
12	F1-106	Pin	0	0	1	1	0	0	1	1
13	258-860	Drive Joint	0	0	1	1	0	0	1	1
14	184-108.001	Flat Washer	0	0	1	1	0	0	1	1
15	170-108	Nut	0	0	4	4	0	0	4	4
16	6713-16001	Worm Gear Shaft	0	0	1	1	0	0	1	1
17	250-205.8	Bearing	0	0	3	3	0	0	3	3
18	182-223.1	Taper Pin	0	0	1	1	0	0	1	1
19	F1-4	Worm Gear	0	0	1	1	0	0	1	1
20	145-460	Set Screw	0	0	1	1	0	0	1	1
21	180-410.1	Washer	0	0	4	4	0	0	4	4
22	117-572	Screw	0	0	4	4	0	0	4	4
23	170-110.1	Nut	0	0	1	1	0	0	1	1
24	F1-107	Rod	0	0	1	1	0	0	1	1
25	170-110	Nut	0	0	1	1	0	0	1	1
26	125-056	Screw	0	0	1	1	0	0	1	1
27	180-403	Washer	0	0	9	9	0	0	9	9
28	SP-103	Flat Spring	0	0	1	1	0	0	1	1
29	F1-116	Drive Pawl	0	0	1	1	0	0	1	1
30	170-105	Nut	0	0	1	1	0	0	1	1
31	250-125.6	Bearing	0	0	1	1	0	0	1	1
32	184-105.001	Flat Washer	0	0	1	1	0	0	1	1
33	117-520	Screw	0	0	2	2	0	0	2	2
34	F1-117	Drive Pawl Pin	0	0	1	1	0	0	1	1
35	IT-6-35	Taper Pin	0	0	1	1	0	0	1	1
36	181-406	E-Ring	0	0	3	3	0	0	3	3
37	F1-119A	Pin	0	0	2	2	0	0	2	2
38	181-408	E-Ring	0	0	1	1	0	0	1	1
39	SPF-M610	Stud Pin	0	0	4	4	0	0	4	4
40	6713-16002	Lock Lever	0	0	1	1	0	0	1	1
41	6713-16030A	Link	0	0	1	1	0	0	1	1
42	170-106	Nut	0	0	15	15	0	0	15	15
43	F1-119B	Pin	0	0	1	1	0	0	1	1
44	243-508	Bushing	0	0	2	2	0	0	2	2
45	117-384	Screw	0	0	1	1	0	0	1	1
46	F1-103	Worm Shaft	0	0	1	1	0	0	1	1
47	256-104	Bearing	0	0	2	2	0	0	2	2
48	OB-20-2	Bushing	0	0	2	2	0	0	2	2
49	IT-5-30	Taper Pin	0	0	2	2	0	0	2	2
50	F1-1	Worm Bracket	0	0	1	1	0	0	1	1
51	117-576	Screw	0	0	1	1	0	0	1	1
52	F1-118	Bracket	0	0	1	1	0	0	1	1
53	258-860.1	Drive Joint	0	0	1	1	0	0	1	1
54	170-112	Nut	0	0	1	1	0	0	1	1
55	5813-16050	Lever	0	0	1	1	0	0	1	1
56	180-410	Washer	0	0	3	3	0	0	3	3
57	F1-102	Ratchet Wheel	0	0	1	1	0	0	1	1
58	F1-5-A	Lever	0	0	1	1	0	0	1	1
59	180-106	Lock Washer	0	0	7	7	0	0	7	7
60	F1-2-A	Worm Bracket	0	0	1	1	0	0	1	1
61	IT-4-35	Taper Pin	0	0	2	2	0	0	2	2
62	101-571	Screw	0	0	2	2	0	0	2	2
63	F1-114	Collar	0	0	1	1	0	0	1	1
64	F1-120	Bracket	0	0	1	1	0	0	1	1
65	180-406.1	Washer	0	0	1	1	0	0	1	1
66	117-383	Screw	0	0	1	1	0	0	1	1
67	F1-1-B	Worm Bracket Assy (01 - 15, 21 - 35, 45 - 66)	0	0	1	1	0	0	1	1
68	6713-16003	Motor Base	0	0	1	1	0	0	1	1
69	184-110.001	Flat Washer	0	0	3	3	0	0	3	3
70	101-570	Screw	0	0	2	2	0	0	2	2

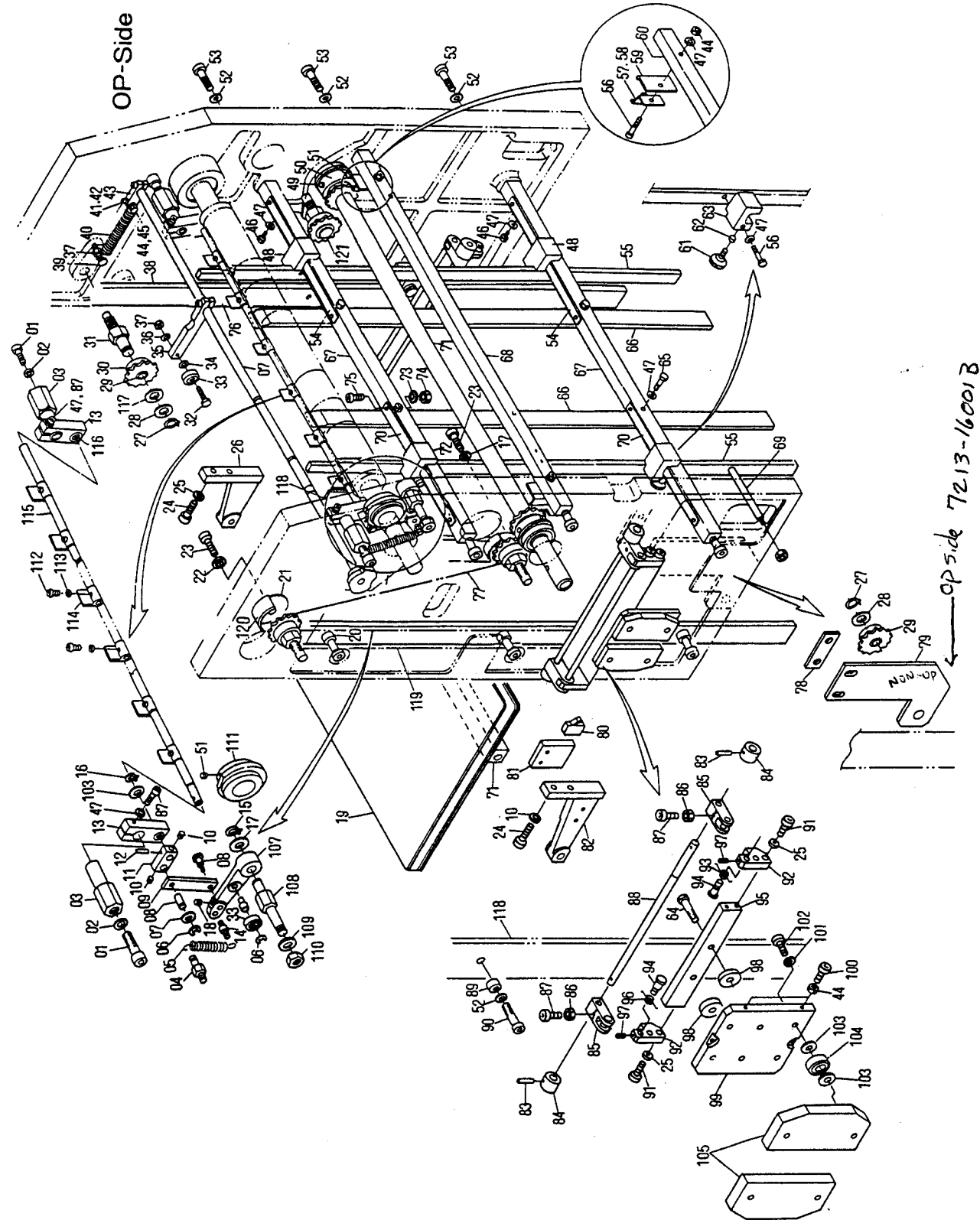


Feed Section
Feeder Pile Drive Mechanism

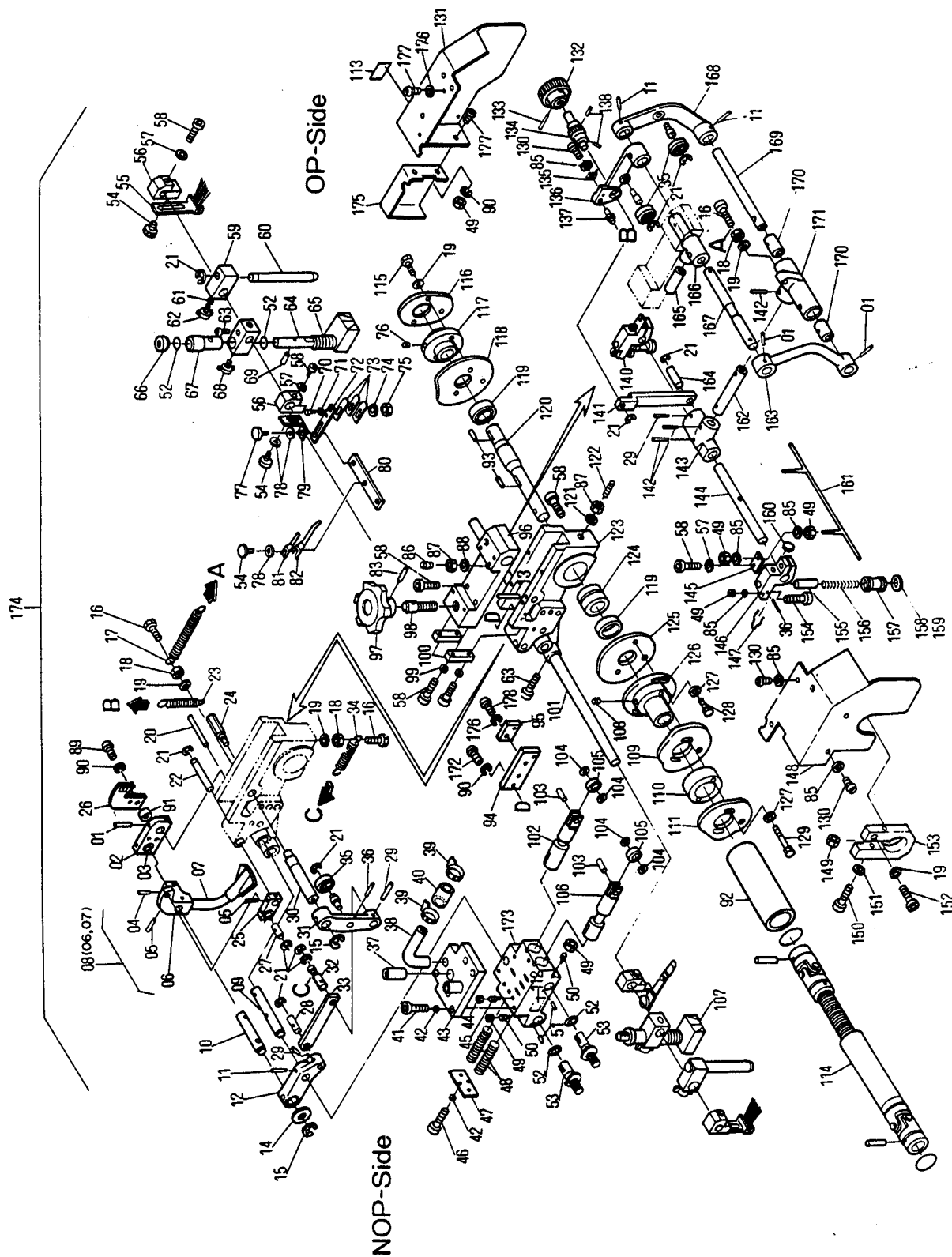
INDEX No.	Parts No.	Description (Remarks)	Unit Per Assy							
			C48	C48L	C48SF	-SF C48L	C248E	C248L	-SF C248E	-SF C248L
71	E-101-38	Motor	0	0	1	1	0	0	1	1
72	6713-16034	Bracket	0	0	1	1	0	0	1	1
73	101-470	Screw	0	0	4	4	0	0	4	4
74	5605-18001	Motor Cover	0	0	1	1	0	0	1	1
75	E-101-21	Micro Switch	0	0	2	2	0	0	2	2
76	117-360	Screw	0	0	3	3	0	0	3	3
77	F1-109	Drive Sprocket	0	0	1	1	0	0	1	1
78	6713-16036A	Lever	0	0	1	1	0	0	1	1
79	180-103	Lock Washer	0	0	2	2	0	0	2	2
80	125-615	Screw	0	0	2	2	0	0	2	2
81	117-375	Screw	0	0	3	3	0	0	3	3
82	117-365	Screw	0	0	4	4	0	0	4	4
83	117-465	Screw	0	0	2	2	0	0	2	2
84	125-065	Screw	0	0	6	6	0	0	6	6
85	E-101-21	Limit Switch	0	0	3	3	0	0	3	3
86	E-114	Limit Switch Base	0	0	2	2	0	0	2	2
87	117-515	Screw	0	0	8	8	0	0	8	8
88	180-405	Washer	0	0	5	5	0	0	5	5
89	F2-108-01	Key	0	0	1	1	0	0	1	1
90	6713-16042	Chain	0	0	1	1	0	0	1	1
91	F1-160	Lever	0	0	1	1	0	0	1	1
92	101-375A	Screw	0	0	1	1	0	0	1	1
93	SPF-M600	Spring Hook	0	0	1	1	0	0	1	1
94	SP-106	Spring	0	0	1	1	0	0	1	1
95	7213-16012	Bracket	0	0	1	1	0	0	1	1
96	6713-16025	Shaft	0	0	1	1	0	0	1	1
97	F44-22-3	Coller	0	0	2	2	0	0	2	2
98	181-405	E-Ring	0	0	2	2	0	0	2	2
99	A04-47-3	Pin	0	0	1	1	0	0	1	1
100	E09-52-3	Solenoid	0	0	1	1	0	0	1	1
101	6713-16039	Pin	0	0	1	1	0	0	1	1
102	H18-13-3	Spring	0	0	1	1	0	0	1	1
103	184-105	Flat Washer	0	0	1	1	0	0	1	1
104	6713-16035	Rod	0	0	1	1	0	0	1	1
105	181-404	E-Ring	0	0	4	4	0	0	4	4
106	258-856	Drive Joint	0	0	2	2	0	0	2	2
107	SPF-M625	Stud Pin	0	0	1	1	0	0	1	1
108	F1-129	Connecting Bolt	0	0	1	1	0	0	1	1
109	6713-16026	Bracket	0	0	1	1	0	0	1	1
110	5103-08116	Stopper	0	0	1	1	0	0	1	1
111	6713-16047	Pin	0	0	1	1	0	0	1	1
112	184-103	Lock Washer	0	0	2	2	0	0	2	2
113	125-606	Screw	0	0	2	2	0	0	2	2
114	6713-16055	Spring	0	0	1	1	0	0	1	1
115	H03-37-3	Pin	0	0	1	1	0	0	1	1
116	117-380	Screw	0	0	1	1	0	0	1	1
117	5813-16012	Link	0	0	1	1	0	0	1	1
118	184-106.001	Flat Washer	0	0	3	3	0	0	3	3
119	117-408	Screw	0	0	4	4	0	0	4	4
120	180-104	Lock Washer	0	0	4	4	0	0	4	4
121	H03-36-3	Spacer	0	0	2	2	0	0	2	2
122	6713-16046	Link	0	0	1	1	0	0	1	1
123	180-404	Washer	0	0	2	2	0	0	2	2
124	7213-16015	Stud Pin	0	0	2	2	0	0	2	2
125	170-103	Nut	0	0	2	2	0	0	2	2
126	7213-16014	Bracket	0	0	1	1	0	0	1	1
127	7213-16013	Cam	0	0	1	1	0	0	1	1
128	101-370	Screw	0	0	3	3	0	0	3	3
129	7213-16010	Pin	0	0	1	1	0	0	1	1
130	101-360	Screw	0	0	1	1	0	0	1	1
131	101-380	Screw	0	0	1	1	0	0	1	1
132	7213-16011	Stopper	0	0	1	1	0	0	1	1
133	7213-16017	Spring	0	0	1	1	0	0	1	1
134	WSM-1808	Washer	0	0	1	1	0	0	1	1
135	7213-16008	Lever	0	0	1	1	0	0	1	1
136	7213-16009	Stud Pin	0	0	1	1	0	0	1	1
137	7213-16016	Spring	0	0	1	1	0	0	1	1
138	7213-16019	Pin	0	0	1	1	0	0	1	1
139	183-744	Cotter Pin	0	0	2	2	0	0	2	2



INDEX No.	Parts No.	Description (Remarks)	Unit Per Assy							
			C48	C48L	C48SF	-SF C48L	C248E	C248L	-SF C248E	-SF C248L
01	117-632	Screw	0	0	2	2	0	0	2	2
02	180-412.1	Washer	0	0	2	2	0	0	2	2
03	F1-150	Stud Pin	0	0	2	2	0	0	2	2
04	SPF-M810	Stud Pin	0	0	1	1	0	0	1	1
05	SP-101	Spring	0	0	1	1	0	0	1	1
06	181-406	E-Ring	0	0	2	2	0	0	2	2
07	184-106.001	Flat Washer	0	0	2	2	0	0	2	2
08	5813-16051	Pin	0	0	2	2	0	0	2	2
09	5813-16052	Link	0	0	1	1	0	0	1	1
10	145-356	Set Screw	0	0	2	2	0	0	2	2
11	F1-152	Block	0	0	1	1	0	0	1	1
12	183-170.01	Roll Pin	0	0	1	1	0	0	1	1
13	F1-151B-A	Bracket	0	0	2	2	0	0	2	2
14	SPF-M610	Stud Pin	0	0	1	1	0	0	1	1
15	181-012	C-Ring	0	0	1	1	0	0	1	1
16	181-010	C-Ring	0	0	1	1	0	0	1	1
17	F1-149-01	Thrust Washer	0	0	1	1	0	0	1	1
18	145-358	Set Screw	0	0	1	1	0	0	1	1
19	6713-16013	Paper Table	0	0	2	2	0	0	2	2
20										
21	6713-16044	Spreader Collar	0	0	2	2	0	0	2	2
22	180-105	Lock Washer	0	0	2	2	0	0	2	2
23	125-710	Screw	0	0	2	2	0	0	2	2
24	117-480	Screw	0	0	4	4	0	0	4	4
25	180-108	Lock Washer	0	0	18	18	0	0	18	18
26	6713-16006	Bracket OP-S	0	0	1	1	0	0	1	1
27	181-018	C-Ring	0	0	4	4	0	0	4	4
28	F1-113-01	Thrust Washer	0	0	4	4	0	0	4	4
29	243-528	Bushing Included in 30	0	0	4	4	0	0	4	4
30	F1-111-A	Sprocket	0	0	4	4	0	0	4	4
31	5610-05008	Stud Pin	0	0	4	4	0	0	4	4
32	101-475	Screw	0	0	1	1	0	0	1	1
33	250-108.6	Bearing	0	0	2	2	0	0	2	2
34	184-108.001	Flat Washer	0	0	1	1	0	0	1	1
35	F1-133	Lever	0	0	1	1	0	0	1	1
36	180-408	Washer	0	0	5	5	0	0	5	5
37	170-108	Nut	0	0	2	2	0	0	2	2
38	7213-16004	Guide Rail	0	0	2	2	0	0	2	2
39	101-481	Screw	0	0	1	1	0	0	1	1
40	EM04-25	Spring	0	0	1	1	0	0	1	1
41	117-520	Screw	0	0	2	2	0	0	2	2
42	180-405.1	Washer	0	0	2	2	0	0	2	2
43	F1-131	Bracket	0	0	1	1	0	0	1	1
44	170-106	Nut	0	0	8	8	0	0	8	8
45	101-365	Screw	0	0	1	1	0	0	1	1
46	101-360	Screw	0	0	2	2	0	0	2	2
47	180-406	Washer	0	0	19	19	0	0	19	19
48	6713-16060	Side Guide Bracket OP-S	0	0	2	2	0	0	2	2
49	182-223.1	Taper Pin	0	0	2	2	0	0	2	2
50	F1-110	Sprocket	0	0	2	2	0	0	2	2
51	145-360	Set Screw	0	0	5	5	0	0	5	5
52	180-410.1	Washer	0	0	12	12	0	0	12	12
53	117-572	Screw	0	0	6	6	0	0	6	6
54	6713-01010	Scale OP-S	0	0	2	2	0	0	2	2
55	7213-16007	Side Guide	0	0	2	2	0	0	2	2
56	101-381	Screw	0	0	12	12	0	0	12	12
57	7213-19005	Chain Guide OP-S	0	0	1	1	0	0	1	1
58	7213-19006	Chain Guide NOPS	0	0	1	1	0	0	1	1
59	F1-165	Chain Guide	0	0	2	2	0	0	2	2
60	F1-148	Gross Bar	0	0	1	1	0	0	1	1
61	F1-10R-01	Screw Knob	0	0	4	4	0	0	4	4
62	PO-127	Spacer	0	0	4	4	0	0	4	4
63	6713-16061	Side Guide Bracket (Lower) NOPS	0	0	1	1	0	0	1	1
64	101-480	Screw	0	0	6	6	0	0	6	6
65	101-380	Screw	0	0	4	4	0	0	4	4
66	7213-16002	Front Guide	0	0	2	2	0	0	2	2
67	6713-01009	Spreader	0	0	2	2	0	0	2	2
68	6713-01008	Cross Bar	0	0	1	1	0	0	1	1
69	F1-164	Chain Guide	0	0	4	4	0	0	4	4
70	6713-01011	Scale NOPS	0	0	2	2	0	0	2	2

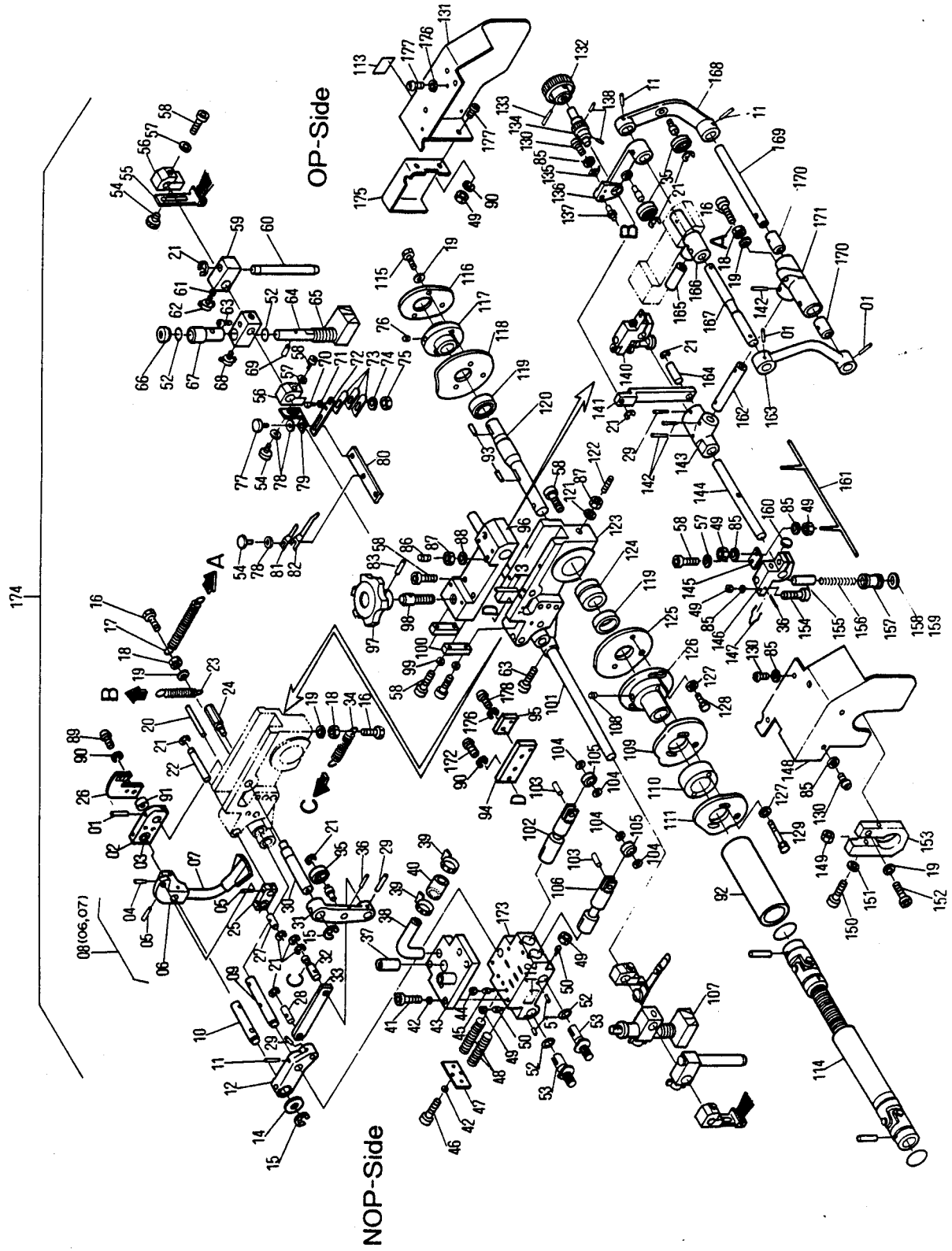


INDEX No.	Parts No.	Description (Remarks)	Unit Per Assy							
			C48	C48L	C48SF	-SF C48L	C248E	C248L	-SF C248E	-SF C248L
71	6713-16001	Shaft	0	0	1	1	0	0	1	1
72	6713-16062	Side Guide Bracket (Upper) NOP-S	0	0	1	1	0	0	1	1
73	180-404	Washer	0	0	8	8	0	0	8	8
74	170-104	Nut	0	0	8	8	0	0	8	8
75	125-130	Screw	0	0	8	8	0	0	8	8
76	6713-16003	Motor Base	0	0	1	1	0	0	1	1
77	6713-16037	Chain	0	0	2	2	0	0	2	2
78	6713-16012	Spacer	0	0	1	1	0	0	1	1
79	7213-16001A	Bracket 7213-16001B ops	0	0	1	1	0	0	1	1
80	E10-20-3	Micro Switch								
81	6713-16024	Bracket	0	0	1	1	0	0	1	1
82	6713-16005	Bracket NOP-S	0	0	1	1	0	0	1	1
83	183-187	Roll Pin	0	0	4	4	0	0	4	4
84	6713-16007	Collar	0	0	4	4	0	0	4	4
85	6713-16043	Bracket	0	0	4	4	0	0	4	4
86	170-106.3	Nut	0	0	4	4	0	0	4	4
87	117-375	Screw	0	0	6	6	0	0	6	6
88	6713-16008	Shaft	0	0	2	2	0	0	2	2
89	F1-137	Sprocket	0	0	6	6	0	0	6	6
90	117-573	Screw	0	0	6	6	0	0	6	6
91	117-475	Screw	0	0	12	12	0	0	12	12
92	6713-16048	Bracket	0	0	4	4	0	0	4	4
93	6713-16054	Spring	0	0	2	2	0	0	2	2
94	6713-16051	Pin	0	0	4	4	0	0	4	4
95	6713-16045	Spreader	0	0	2	2	0	0	2	2
96	6713-16053	Spring	0	0	2	2	0	0	2	2
97	145-505	Set Screw	0	0	4	4	0	0	4	4
98	180-406	Spacer								
99	6713-16050	Plate	0	0	2	2	0	0	2	2
100	117-370	Screw	0	0	4	4	0	0	4	4
101	181-410	Washer	0	0	8	8	0	0	8	8
102	101-572T	Screw	0	0	8	8	0	0	8	8
103	184-110.001	Flat Washer	0	0	17	17	0	0	17	17
104	250-200	Bearing	0	0	8	8	0	0	8	8
105	6713-16052	Plate	0	0	4	4	0	0	4	4
106	6713-16044	Chain Cover	0	0	2	2	0	0	2	2
107	F1-7-A	Cam Lever	0	0	1	1	0	0	1	1
108	F1-149	Stud Pin	0	0	1	1	0	0	1	1
109	180-412	Washer	0	0	1	1	0	0	1	1
110	170-112	Nut	0	0	1	1	0	0	1	1
111	F1-12	Timing Cam	0	0	1	1	0	0	1	1
112	125-056	Screw	0	0	6	6	0	0	6	6
113	180-403	Washer	0	0	6	6	0	0	6	6
114	F1-154	Front Guide	0	0	6	6	0	0	6	6
115	F1-155	Front Guide Shaft	0	0	1	1	0	0	1	1
116	OB-10-2	Bushing Included in 13	0	0	2	2	0	0	2	2
117	7213-16006	Spacer	0	0	4	4	0	0	4	4
118	7213-16004	Guide Rail	0	0	2	2	0	0	2	2
119	7213-16005	Chain	0	0	2	2	0	0	2	2
120	5610-05009	Chain Cover	0	0	4	4	0	0	4	4
121	7213-16018	Sprocket	0	0	6	6	0	0	6	6



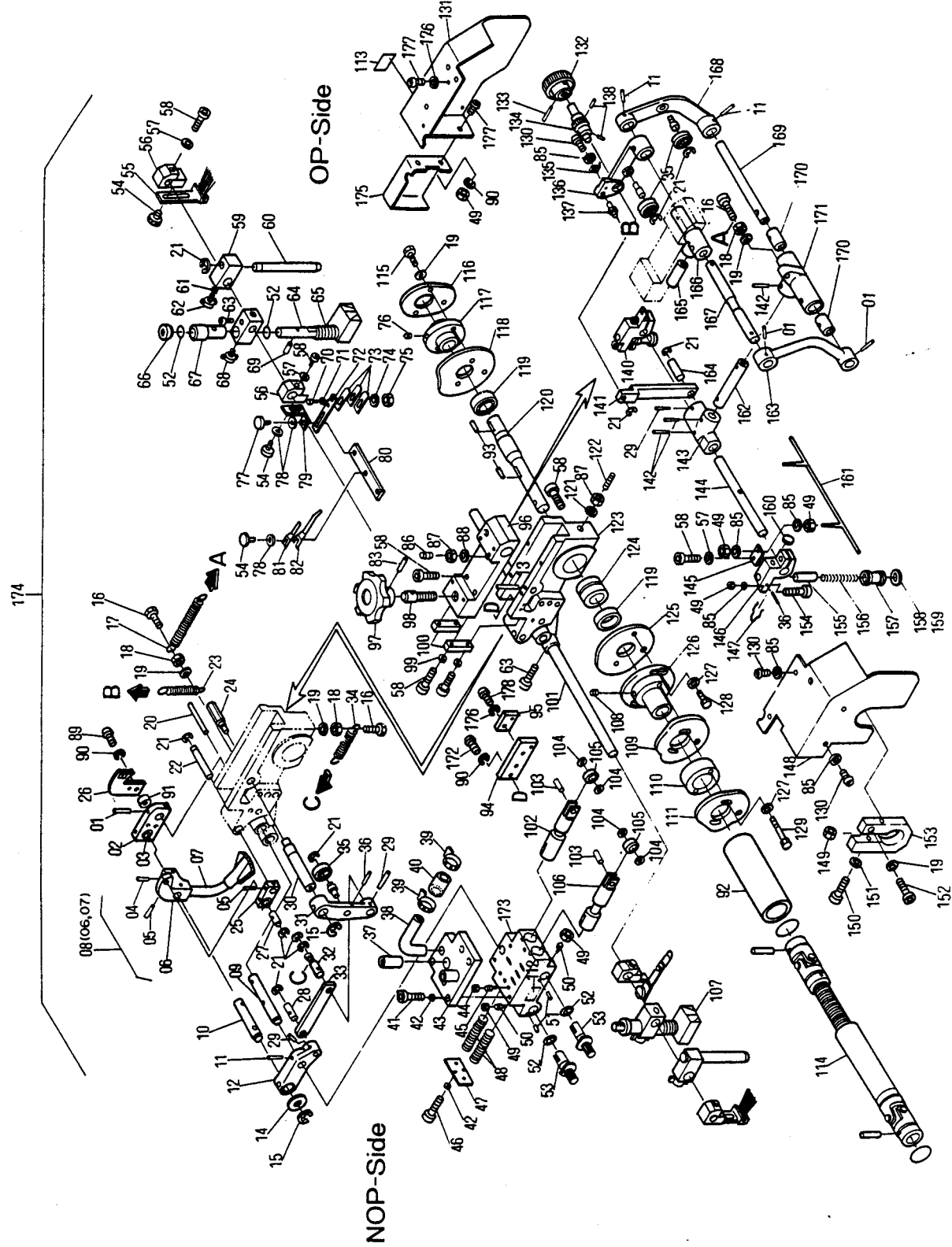
Feed Section
Blower Suction Foot Drive

INDEX No.	Parts No.	Description (Remarks)	Unit Per Assy							
			C48	C48L	C48SF	-SF C48L	C248E	C248L	-SF C248E	-SF C248L
01	182-147	Taper Pin	0	0	3	3	0	0	3	3
02	6713-17010	Bracket	0	0	1	1	0	0	1	1
03	OB-12-1	Bushing Included in 02	0	0	1	1	0	0	1	1
04	182-142.1	Taper Pin	0	0	1	1	0	0	1	1
05	182-145	Taper Pin	0	0	3	3	0	0	3	3
06	F2-17	Blower Foot Bracket	0	0	1	1	0	0	1	1
07	F2-161-A	Blower Foot	0	0	1	1	0	0	1	1
08	F2-161-B	Blower Foot Assy (06, 07)	0	0	1	1	0	0	1	1
09	F2-160A	Pin	0	0	1	1	0	0	1	1
10	F2-160B	Pin	0	0	1	1	0	0	1	1
11	OT-4-20	Taper Pin	0	0	3	3	0	0	3	3
12	F2-16-A	Lever	0	0	1	1	0	0	1	1
13	182-150	Taper Pin	0	0	1	1	0	0	1	1
14	C-127-01	Thrust Washer	0	0	1	1	0	0	1	1
15	181-410	E-Ring	0	0	2	2	0	0	2	2
16	101-370	Screw	0	0	3	3	0	0	3	3
17	SP-108	Spring	0	0	1	1	0	0	1	1
18	170-106	Nut	0	0	3	3	0	0	3	3
19	180-406	Washer	0	0	7	7	0	0	7	7
20	F2-1-01	Pin	0	0	1	1	0	0	1	1
21	181-406	E-Ring	0	0	12	12	0	0	12	12
22	F2-164	Pin	0	0	1	1	0	0	1	1
23	SP-109	Spring	0	0	1	1	0	0	1	1
24	F2-154	Stud Pin	0	0	1	1	0	0	1	1
25	F2-163-A	Bracket	0	0	1	1	0	0	1	1
26	6713-17005A	Plate Assy	0	0	1	1	0	0	1	1
27	F2-159B	Pin	0	0	1	1	0	0	1	1
28	F2-159A	Pin	0	0	1	1	0	0	1	1
29	183-170.01	Roll Pin	0	0	3	3	0	0	3	3
30	F2-156	Pin	0	0	1	1	0	0	1	1
31	F2-15-A	Cam Follower Lever	0	0	1	1	0	0	1	1
32	F2-158	Pin	0	0	1	1	0	0	1	1
33	F2-157	Crank Rod	0	0	1	1	0	0	1	1
34	SP-111	Spring	0	0	1	1	0	0	1	1
35	250-108.6	Cam Follower	0	0	3	3	0	0	3	3
36	182-110	Taper Pin	0	0	3	3	0	0	3	3
37	F2-133	Hose Joint	0	0	2	2	0	0	2	2
38	F2-134	Hose Joint	0	0	1	1	0	0	1	1
39	F2-134-02	Hose Band	0	0	2	2	0	0	2	2
40	F2-134-01	Hose	0	0	1	1	0	0	1	1
41	117-415	Screw	0	0	6	6	0	0	6	6
42	180-404.1	Washer	0	0	8	8	0	0	8	8
43	F2-6	Air Valve Bracket	0	0	1	1	0	0	1	1
44	170-105	Nut	0	0	2	2	0	0	2	2
45	F2-165B	Set Screw	0	0	2	2	0	0	2	2
46	117-408	Screw	0	0	2	2	0	0	2	2
47	F2-132	Spring Stopper	0	0	1	1	0	0	1	1
48	SP-110	Spring	0	0	2	2	0	0	2	2
49	170-104	Nut	0	0	10	10	0	0	10	10
50	F2-165C	Set Screw	0	0	2	2	0	0	2	2
51	183-165.01	Roll Pin	0	0	2	2	0	0	2	2
52	324-314	O-Ring	0	0	6	6	0	0	6	6
53	F2-131	Blower Adjuster	0	0	2	2	0	0	2	2
54	F2-168-01	Screw Knob	0	0	5	5	0	0	5	5
55	F2-141	Brush	0	0	2	2	0	0	2	2
56	F2-140	Bracket	0	0	2	2	0	0	2	2
57	180-405	Washer	0	0	3	3	0	0	3	3
58	117-520	Screw	0	0	11	11	0	0	11	11
59	F2-143	Bracket	0	0	2	2	0	0	2	2
60	F2-144	Back Guide Pin	0	0	2	2	0	0	2	2
61	PO-127	Spacer	0	0	2	2	0	0	2	2
62	F2-143-01	Screw Knob	0	0	2	2	0	0	2	2
63	117-508	Screw	0	0	4	4	0	0	4	4
64	F2-139L	Blower Foot OP-S	0	0	1	1	0	0	1	1
65	SP-120	Spring	0	0	2	2	0	0	2	2
66	F2-138	Adjusting Nut	0	0	1	1	0	0	1	1
67	F2-172	Bushing	0	0	2	2	0	0	2	2
68	F2-137-01	Screw Knob	0	0	2	2	0	0	2	2
69	F2-139R-01	Pin	0	0	2	2	0	0	2	2
70	125-056	Screw	0	0	4	4	0	0	4	4



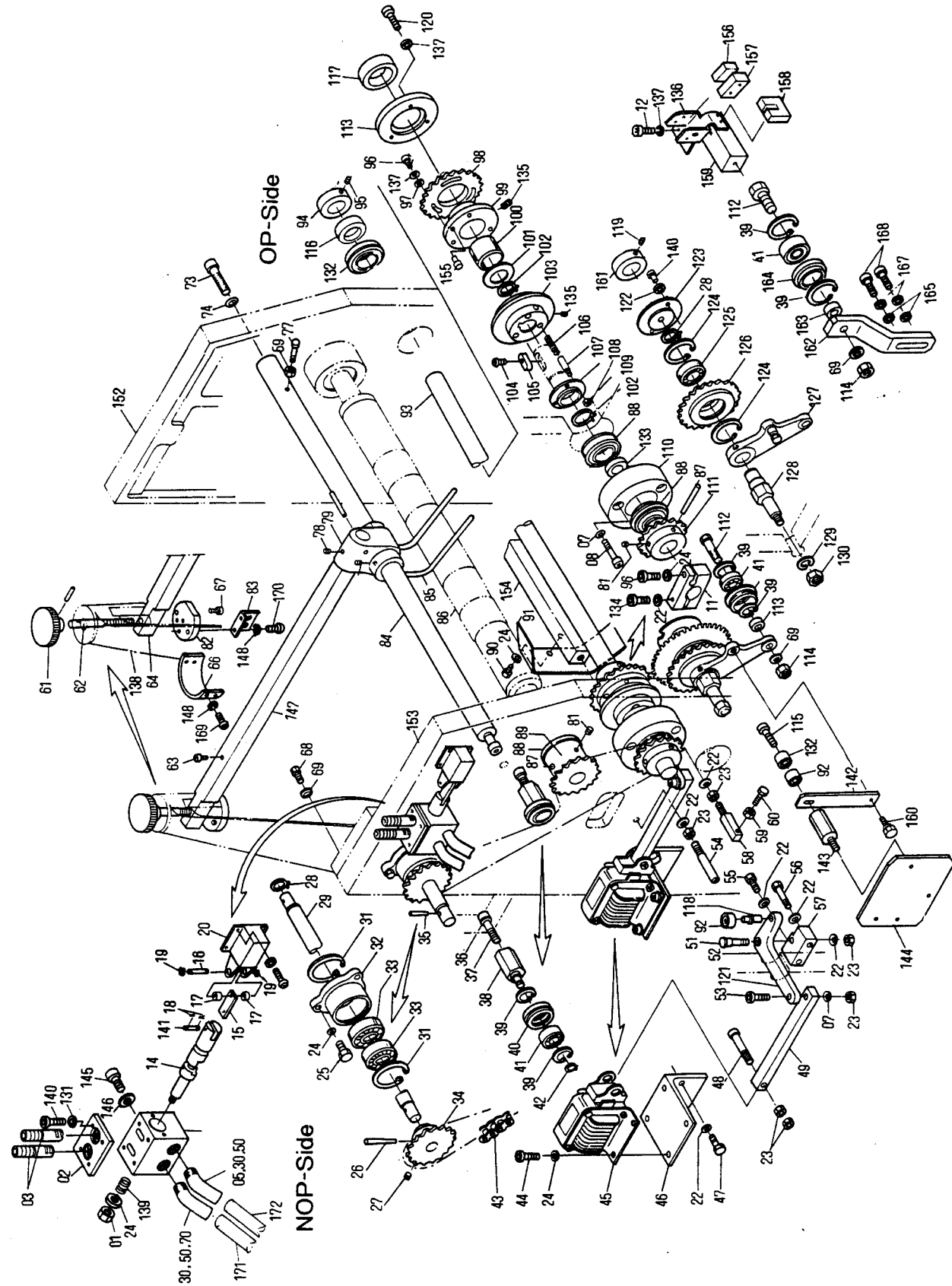
Feed Section
Blower Suction Foot Drive

INDEX No.	Parts No.	Description (Remarks)	Unit Per Assy							
			C48	C48L	C48SF	-SF C48L	C248E	C248L	-SF C248E	-SF C248L
71	184-103.001	Flat Washer	0	0	4	4	0	0	4	4
72	F2-169	Plate	0	0	2	2	0	0	2	2
73	SP-118	Flat Spring	0	0	6	6	0	0	6	6
74	180-403	Washer	0	0	4	4	0	0	4	4
75	170-103	Nut	0	0	4	4	0	0	4	4
76	145-362	Set Screw	0	0	1	1	0	0	1	1
77	F2-170-01	Screw Knob	0	0	2	2	0	0	2	2
78	184-105.001	Flat Washer	0	0	5	5	0	0	5	5
79	F2-168	Holder	0	0	2	2	0	0	2	2
80	F2-170	Bracket	0	0	1	1	0	0	1	1
81	SP-121	Sheet Separator	0	0	1	1	0	0	1	1
82	SP-122	Sheet Separator	0	0	1	1	0	0	1	1
83	183-187	Roll Pin	0	0	1	1	0	0	1	1
84	117-430A	Screw	0	0	1	1	0	0	1	1
85	180-404	Washer	0	0	10	10	0	0	10	10
86	145-470	Set Screw	0	0	1	1	0	0	1	1
87	170-108	Nut	0	0	2	2	0	0	2	2
88	180-408	Washer	0	0	1	1	0	0	1	1
89	125-675	Screw	0	0	4	4	0	0	4	4
90	180-104	Lock Washer	0	0	2	2	0	0	2	2
91	6713-17008	Spacer	0	0	2	2	0	0	2	2
92	6713-17003	Pipe	0	0	1	1	0	0	1	1
93	F2-108-01	Key	0	0	2	2	0	0	2	2
94	6713-17009	Bracket	0	0	1	1	0	0	1	1
95	E26-75-3	Sensor	0	0	1	1	0	0	1	1
96	F2-2	Bracket	0	0	1	1	0	0	1	1
97	F2-117-01	Handle	0	0	1	1	0	0	1	1
98	F2-117	Handle Shaft	0	0	1	1	0	0	1	1
99	180-405.1	Washer	0	0	4	4	0	0	4	4
100	F2-119	Block	0	0	2	2	0	0	2	2
101	F2-136	Shaft	0	0	1	1	0	0	1	1
102	F2-129A	Blower Piston	0	0	1	1	0	0	1	1
103	F2-130	Pin	0	0	2	2	0	0	2	2
104	180-176	Wave Washer	0	0	4	4	0	0	4	4
105	250-126.6	Bearing	0	0	2	2	0	0	2	2
106	F2-129B	Blower Piston	0	0	1	1	0	0	1	1
107	F2-139R	Blower Foot NOP-S	0	0	1	1	0	0	1	1
108	145-356	Set Screw	0	0	1	1	0	0	1	1
109	F2-113	Timing Cam	0	0	1	1	0	0	1	1
110	F2-111	Spacer	0	0	1	1	0	0	1	1
111	F2-112	Timing Cam	0	0	1	1	0	0	1	1
112	NP-3	Name Plate	0	0	1	1	0	0	1	1
113	NP-5	Name Plate	0	0	1	1	0	0	1	1
114	5813-17006	Joint	0	0	1	1	0	0	1	1
115	101-375	Screw	0	0	2	2	0	0	2	2
116	F2-116	Timing Cam	0	0	1	1	0	0	1	1
117	F2-109B	Cam Flange	0	0	1	1	0	0	1	1
118	F2-115	Timing Cam	0	0	1	1	0	0	1	1
119	250-003.6	Bearing	0	0	2	2	0	0	2	2
120	F2-108	Cam Shaft	0	0	1	1	0	0	1	1
121	180-108	Lock Washer	0	0	1	1	0	0	1	1
122	145-480	Set Screw	0	0	1	1	0	0	1	1
123	6713-17013	Feeder Head Frame	0	0	1	1	0	0	1	1
124	F2-110	Spacer	0	0	1	1	0	0	1	1
125	F2-114	Timing Cam	0	0	1	1	0	0	1	1
126	F2-109A	Cam Flange	0	0	1	1	0	0	1	1
127	184-106.001	Flat Washer	0	0	4	4	0	0	4	4
128	101-362	Screw	0	0	2	2	0	0	2	2
129	101-382	Screw	0	0	2	2	0	0	2	2
130	125-108	Screw	0	0	7	7	0	0	7	7
131	6713-17012	Cover OP-S	0	0	1	1	0	0	1	1
132	PO-111	Handle	0	0	1	1	0	0	1	1
133	IT-4-25	Taper Pin	0	0	1	1	0	0	1	1
134	F2-152	Handle Shaft	0	0	1	1	0	0	1	1
135	SP-119	Flat Spring	0	0	1	1	0	0	1	1
136	F2-13-A	Lever	0	0	1	1	0	0	1	1
137	SPF-M603	Stud Pin	0	0	1	1	0	0	1	1
138	183-181	Roll Pin	0	0	2	2	0	0	2	2
139										
140	F2-12L	Bracket	0	0	1	1	0	0	1	1



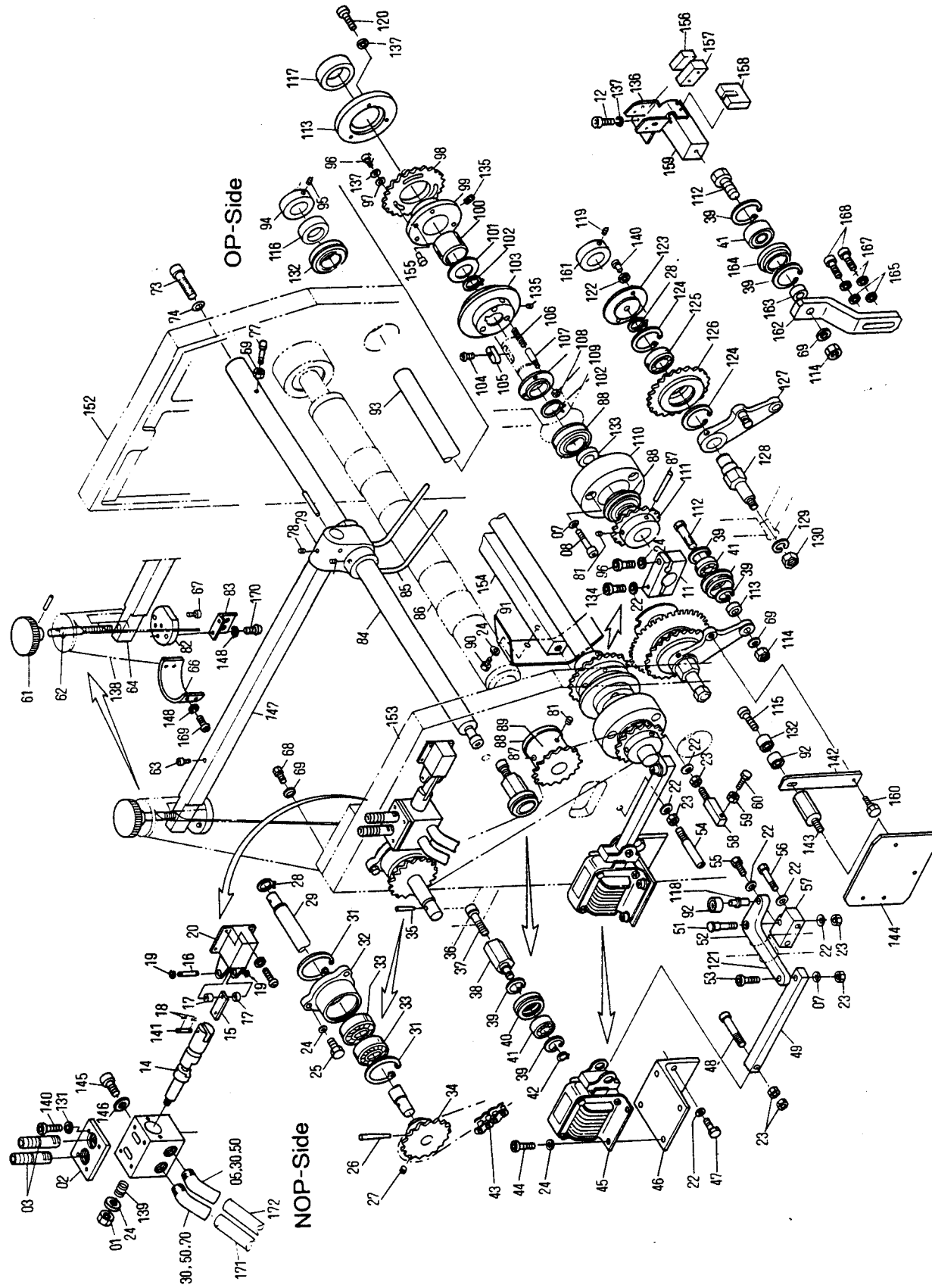
Feed Section
Blower Suction Foot Drive

INDEX No.	Parts No.	Description (Remarks)	Unit Per Assy							
			C48	C48L	C48SF	-SF C48L	C248E	C248L	-SF C248E	-SF C248L
141	F2-14	Link	0	0	1	1	0	0	1	1
142	182-132	Taper Pin	0	0	3	3	0	0	3	3
143	F2-11B	Pipe Holder	0	0	1	1	0	0	1	1
144	F2-147C	Shaft	0	0	1	1	0	0	1	1
145	F2-175	Plate	0	0	2	2	0	0	2	2
146	F2-12R	Bracket	0	0	1	1	0	0	1	1
147	F2-150	Snap Retainer	0	0	2	2	0	0	2	2
148	5605-02056	Cover	0	0	1	1	0	0	1	1
149	I31-11-3	Nut	0	0	1	1	0	0	1	1
150	117-383A	Screw	0	0	1	1	0	0	1	1
151	180-406.1	Washer	0	0	1	1	0	0	1	1
152	117-370	Screw	0	0	1	1	0	0	1	1
153	F3-108	Bracket	0	0	1	1	0	0	1	1
154	117-425	Screw	0	0	2	2	0	0	2	2
155	F2-148	Pin	0	0	2	2	0	0	2	2
156	SP-112	Spring	0	0	2	2	0	0	2	2
157	F2-149	Suction Foot	0	0	2	2	0	0	2	2
158	F2-167A	Sucker $l = 0.5$	0	0	2	2	0	0	2	2
159	F2-167B	Sucker $l = 0.8$	0	0	2	2	0	0	2	2
160	F2-153	Packing	0	0	2	2	0	0	2	2
161	F2-174	Guide Bar	0	0	1	1	0	0	1	1
162	F2-173	Pipe	0	0	1	1	0	0	1	1
163	F2-146	Drive Lever	0	0	1	1	0	0	1	1
164	F2-159C	Pin	0	0	1	1	0	0	1	1
165	F2-135	Hose Joint	0	0	1	1	0	0	1	1
166	F2-9	Bushing	0	0	1	1	0	0	1	1
167	F2-147A	Shaft	0	0	1	1	0	0	1	1
168	F2-10-A	Drive Lever	0	0	1	1	0	0	1	1
169	F2-147B	Shaft	0	0	1	1	0	0	1	1
170	OB-12-3	Bushing	0	0	2	2	0	0	2	2
171	F2-11A	Pipe Holder	0	0	1	1	0	0	1	1
172	125-660	Screw	0	0	2	2	0	0	2	2
173	F2-5	Air Valve Bracket	0	0	1	1	0	0	1	1
174	6713-17013A	Center Separate Unit Assy (Excluding 14, 113, 148-153, 175)	0	0	1	1	0	0	1	1
175	6713-17011	Cover	0	0	1	1	0	0	1	1
176	180-103	Washer	0	0	2	2	0	0	2	2
177	125-658	Screw	0	0	2	2	0	0	2	2
178	125-608	Screw	0	0	2	2	0	0	2	2



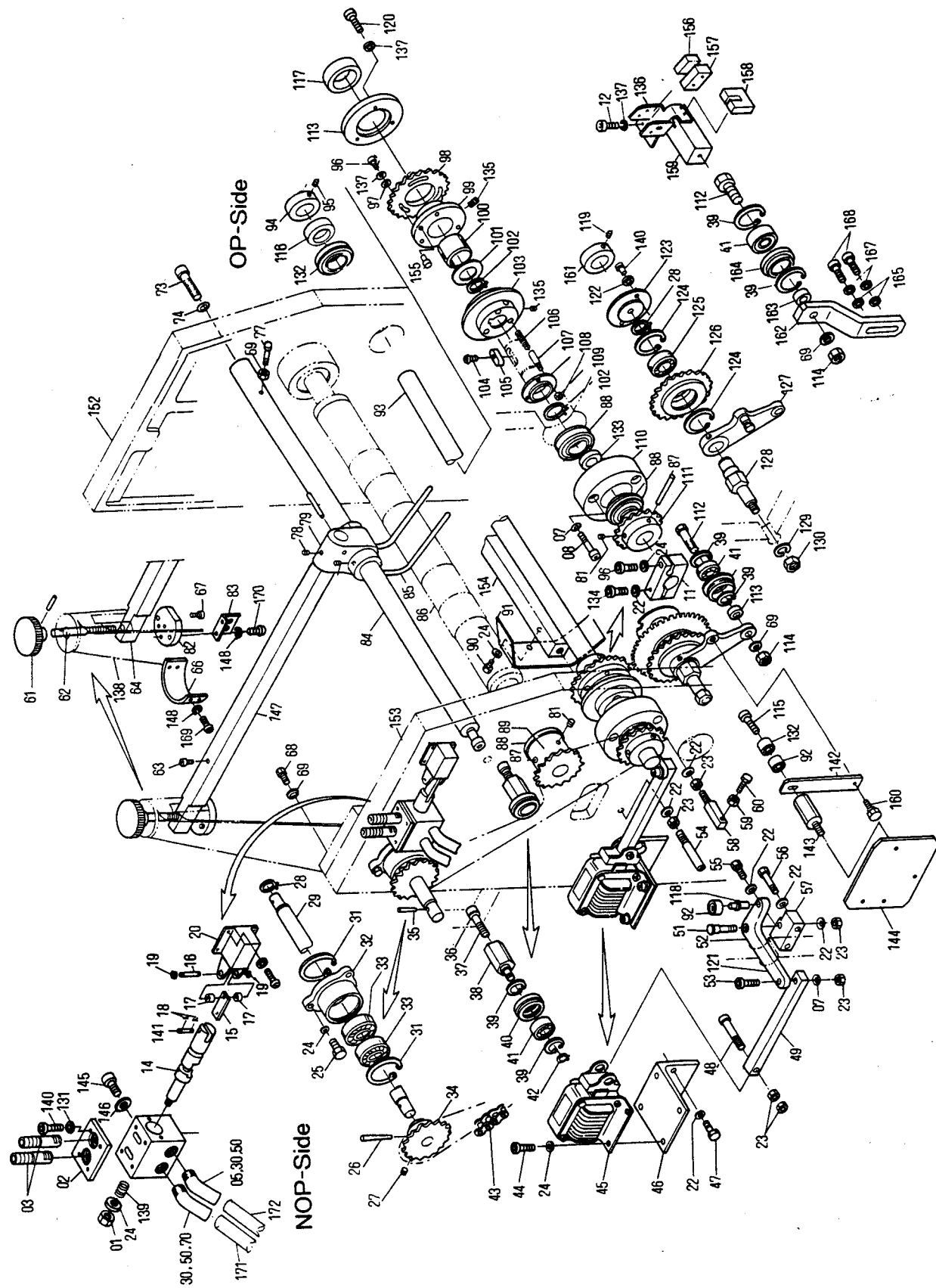
Feed Section
Feeder Driving Section

INDEX No.	Parts No.	Description (Remarks)	Unit Per Assy							
			C48	C48L	C48SF	-SF C48L	C248E	C248L	-SF C248E	-SF C248L
01	170-106	Nut	0	0	1	1	0	0	1	1
02	5813-17003	Joint	0	0	1	1	0	0	1	1
03	PO-120	Hose Joint	0	0	2	2	0	0	2	2
04	5813-17002	Hose Bracket	0	0	1	1	0	0	1	1
05	H13-32-3	Hose Joint	0	0	2	2	0	0	2	2
06	F2-125-01	Hose	0	0	2	2	0	0	2	2
07	180-408.1	Washer	0	0	4	4	0	0	4	4
08	117-482	Screw	0	0	3	3	0	0	3	3
09	F2-121	Stop Lever Shaft	0	0	1	1	0	0	1	1
10	145-356	Set Screw	0	0	1	1	0	0	1	1
11	F1-105	Bracket	0	0	1	1	0	0	1	1
12	117-365	Screw	0	0	4	4	0	0	4	4
13	181-406	E-Ring	0	0	4	4	0	0	4	4
14	5813-17012	Stopper Piston	0	0	1	1	0	0	1	1
15	6713-17002	Link	0	0	1	1	0	0	1	1
16	H03-37-3	Pin	0	0	2	2	0	0	2	2
17	H03-36-3	Spacer	0	0	2	2	0	0	2	2
18	183-743	Cotter Pin	0	0	4	4	0	0	4	4
19	181-404	E-Ring	0	0	4	4	0	0	4	4
20	E-101-48	Solenoid	0	0	1	1	0	0	1	1
21	145-465	Set Screw	0	0	1	1	0	0	1	1
22	180-408	Washer	0	0	10	10	0	0	10	10
23	170-108	Nut	0	0	1	1	0	0	1	1
24	180-406	Washer	0	0	13	13	0	0	13	13
25	101-370	Screw	0	0	3	3	0	0	3	3
26	182-189	Taper Pin	0	0	1	1	0	0	1	1
27	145-362	Set Screw	0	0	1	1	0	0	1	1
28	181-020	C-Ring	0	0	2	2	0	0	2	2
29	5605-02109	Drive Shaft	0	0	1	1	0	0	1	1
30	H13-34-3	Hose Joint	0	0	1	1	0	0	1	1
31	181-247	C-Ring	0	0	2	2	0	0	2	2
32	F3-3	Bracket	0	0	1	1	0	0	1	1
33	250-204.2	Bearing	0	0	2	2	0	0	2	2
34	F3-106	Chain Sprocket	0	0	1	1	0	0	1	1
35	182-188.1	Taper Pin	0	0	1	1	0	0	1	1
36	180-410.1	Washer	0	0	1	1	0	0	1	1
37	117-572	Screw	0	0	1	1	0	0	1	1
38	F3-127	Stud Pin	0	0	1	1	0	0	1	1
39	181-230	C-Ring	0	0	6	6	0	0	6	6
40	F3-129	Tension Roller	0	0	2	2	0	0	2	2
41	250-200.6	Bearing	0	0	3	3	0	0	3	3
42	181-010	C-Ring	0	0	1	1	0	0	1	1
43	F3-105-01	Chain	0	0	1	1	0	0	1	1
44	117-360	Screw	0	0	4	4	0	0	4	4
45	E-101-44	Solenoid	0	0	1	1	0	0	1	1
46	F3-120	Solenoid Bracket	0	0	1	1	0	0	1	1
47	101-470	Screw	0	0	2	2	0	0	2	2
48	117-485	Screw	0	0	1	1	0	0	1	1
49	F3-121	Solenoid Link	0	0	1	1	0	0	1	1
50	5813-17013	Hose Joint	0	0	1	1	0	0	1	1
51	F3-124	Screw	0	0	1	1	0	0	1	1
52	243-511	Bushing	0	0	1	1	0	0	1	1
53	117-480	Screw	0	0	1	1	0	0	1	1
54	F3-117	Pin	0	0	1	1	0	0	1	1
55	101-483	Screw	0	0	1	1	0	0	1	1
56	101-482	Screw	0	0	1	1	0	0	1	1
57	F3-122	Bracket	0	0	1	1	0	0	1	1
58	F3-118	Stud	0	0	1	1	0	0	1	1
59	170-106	Nut	0	0	2	2	0	0	2	2
60	101-380A	Screw	0	0	1	1	0	0	1	1
61	F2-104	Adjustment Handle	0	0	1	1	0	0	1	1
62	F2-105	Handle Shaft	0	0	1	1	0	0	1	1
63	117-358	Screw	0	0	2	2	0	0	2	2
64	F2-103	Guide Rail	0	0	1	1	0	0	1	1
65	F2-106	Cap	0	0	1	1	0	0	1	1
66	5813-17029	Cover	0	0	1	1	0	0	1	1
67	117-515	Screw	0	0	4	4	0	0	4	4
68	101-571	Screw	0	0	2	2	0	0	2	2
69	180-410	Washer	0	0	4	4	0	0	4	4
70	H13-33-3	Hose Joint	0	0	1	1	0	0	1	1



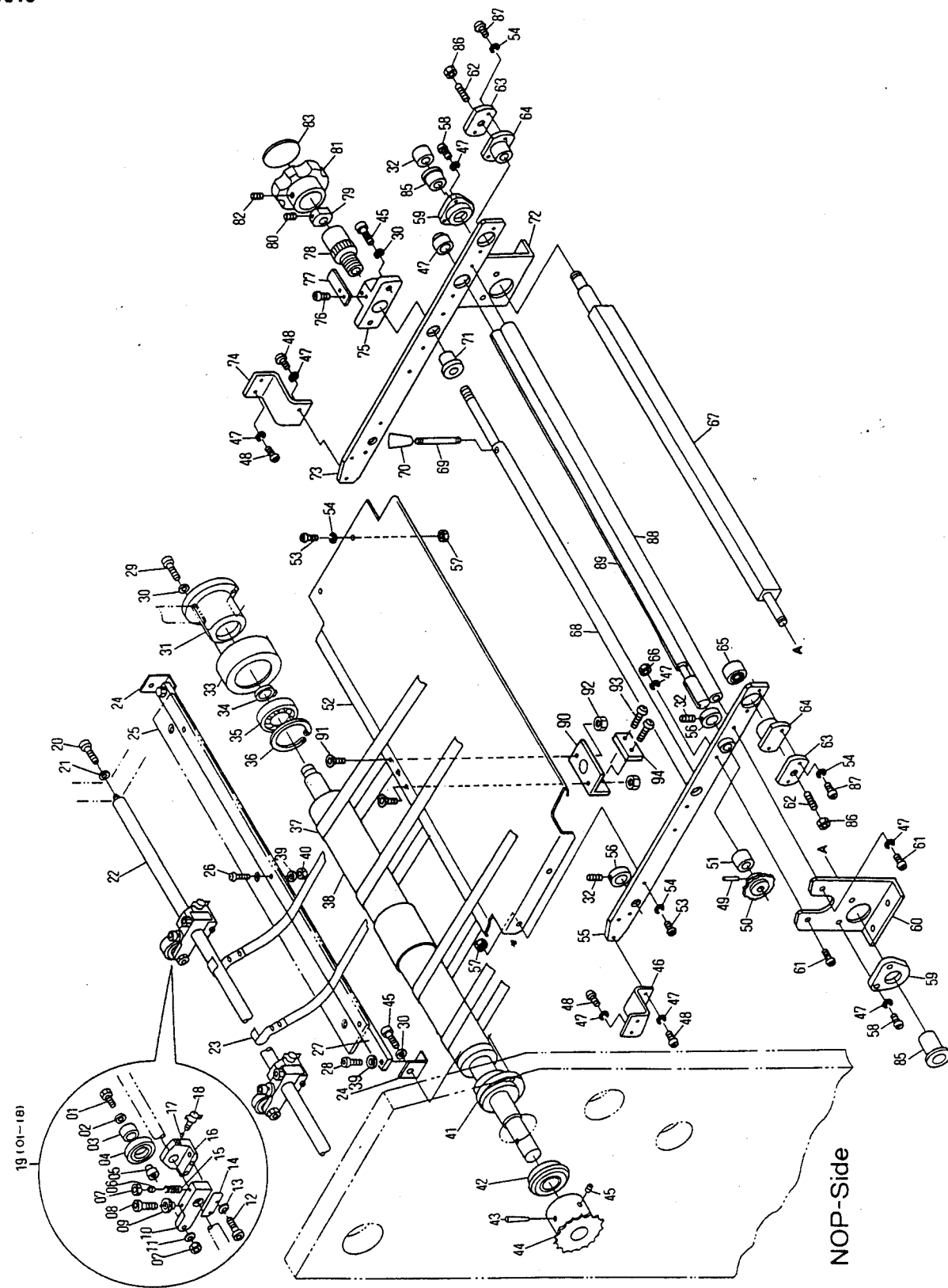
Feed Section
Feeder Driving Section

INDEX No.	Parts No.	Description (Remarks)	Unit Per Assy							
			C48	C48L	C48SF	-SF C48L	C248E	C248L	-SF C248E	-SF C248L
71	F1-130-01	Handle	0	0	1	1	0	0	1	1
72	F2-120B	Handle Shaft	0	0	1	1	0	0	1	1
73	117-633	Screw	0	0	2	2	0	0	2	2
74	180-412.1	Washer	0	0	2	2	0	0	2	2
75	117-520	Screw	0	0	1	1	0	0	1	1
76	F2-120A	Bracket	0	0	1	1	0	0	1	1
77	101-381	Screw	0	0	1	1	0	0	1	1
78	145-358	Set Screw	0	0	1	1	0	0	1	1
79	F2-4	Guide Rail Bracket	0	0	1	1	0	0	1	1
80	182-212	Taper Pin	0	0	1	1	0	0	1	1
81	141-356	Set Screw	0	0	2	2	0	0	2	2
82	7213-19014	Collar	0	0	2	2	0	0	2	2
83	5813-17031	Bracket	0	0	1	1	0	0	1	1
84	F2-101	Guide Bar Spreader	0	0	1	1	0	0	1	1
85	F4-159B	Guide Bar	0	0	2	2	0	0	2	2
86	7213-19007	Feed Tape Roller	0	0	1	1	0	0	1	1
87	182-213.1	Taper Pin	0	0	2	2	0	0	2	2
88	250-205.8	Bearing	0	0	1	1	0	0	1	1
89	F3-104	Chain Sprocket	0	0	1	1	0	0	1	1
90	117-360	Screw	0	0	1	1	0	0	1	1
91	F3-137	Sprocket Cover	0	0	1	1	0	0	1	1
92	250-108.6	Bearing	0	0	1	1	0	0	1	1
93	6713-18012	Drive Shaft	0	0	1	1	0	0	1	1
94	COM-25	Collar	0	0	2	2	0	0	2	2
95	145-458	Set Screw	0	0	2	2	0	0	2	2
96	117-370	Screw	0	0	3	3	0	0	3	3
97	184-106.001	Flat Washer	0	0	4	4	0	0	4	4
98	7213-18001	Sprocket	0	0	1	1	0	0	1	1
99	7213-18002	Sprocket Holder	0	0	1	1	0	0	1	1
100	F3-111-01	Bearing	0	0	1	1	0	0	1	1
101	F3-107-01	Thrust Washer	0	0	1	1	0	0	1	1
102	181-025	C-Ring	0	0	2	2	0	0	2	2
103	5813-18009	Clutch Wheel	0	0	1	1	0	0	1	1
104	125-058	Screw	0	0	1	1	0	0	1	1
105	F3-109	Key	0	0	1	1	0	0	1	1
106	SP-114	Spring	0	0	3	3	0	0	3	3
107	F3-114	Spring Guide Pin	0	0	3	3	0	0	3	3
108	5813-18010	Spring Holder	0	0	1	1	0	0	1	1
109	170-105	Nut	0	0	3	3	0	0	3	3
110	5813-18001	Drive Shaft Bushing Bracket	0	0	1	1	0	0	1	1
111	F3-105	Sprocket	0	0	1	1	0	0	1	1
112	101-572	Screw	0	0	2	2	0	0	2	2
113	F3-131	Spacer	0	0	1	1	0	0	1	1
114	170-110	Nut	0	0	2	2	0	0	2	2
115	101-360	Screw	0	0	1	1	0	0	1	1
116	5104-02008	Spacer	0	0	1	1	0	0	1	1
117	7213-18008	Spacer	0	0	1	1	0	0	1	1
118	7213-18003	Sprocket Holder	0	0	1	1	0	0	1	1
119	6713-18011	Collar	0	0	1	1	0	0	1	1
120	117-372	Screw	0	0	3	3	0	0	3	3
121	5813-18002	Stud Pin	0	0	1	1	0	0	1	1
122	180-105	Washer	0	0	2	2	0	0	2	2
123	7213-18005	Timing Plate Base	0	0	1	1	0	0	1	1
124	181-242	C-Ring	0	0	2	2	0	0	2	2
125	250-003.6	Bearing	0	0	1	1	0	0	1	1
126	7213-18007	Sprocket	0	0	1	1	0	0	1	1
127	F3-5	Tension Lever	0	0	1	1	0	0	1	1
128	7213-18004	Stud Pin	0	0	1	1	0	0	1	1
129	180-112	Washer	0	0	1	1	0	0	1	1
130	170-112	Nut	0	0	1	1	0	0	1	1
131	180-405.1	Washer	0	0	4	4	0	0	4	4
132	250-205.6	Bearing	0	0	1	1	0	0	1	1
133	5813-18007	Washer	0	0	1	1	0	0	1	1
134	117-481	Screw	0	0	1	1	0	0	1	1
135	145-406	Set Screw	0	0	1	1	0	0	1	1
136	6713-18004	Sensor Bracket	0	0	1	1	0	0	1	1
137	180-106	Washer	0	0	5	5	0	0	5	5
138	5605-02057	Center Separate Unit Support Bracket	0	0	1	1	0	0	1	1
139	5813-17026	Spring	0	0	1	1	0	0	1	1
140	117-512	Screw	0	0	4	4	0	0	4	4



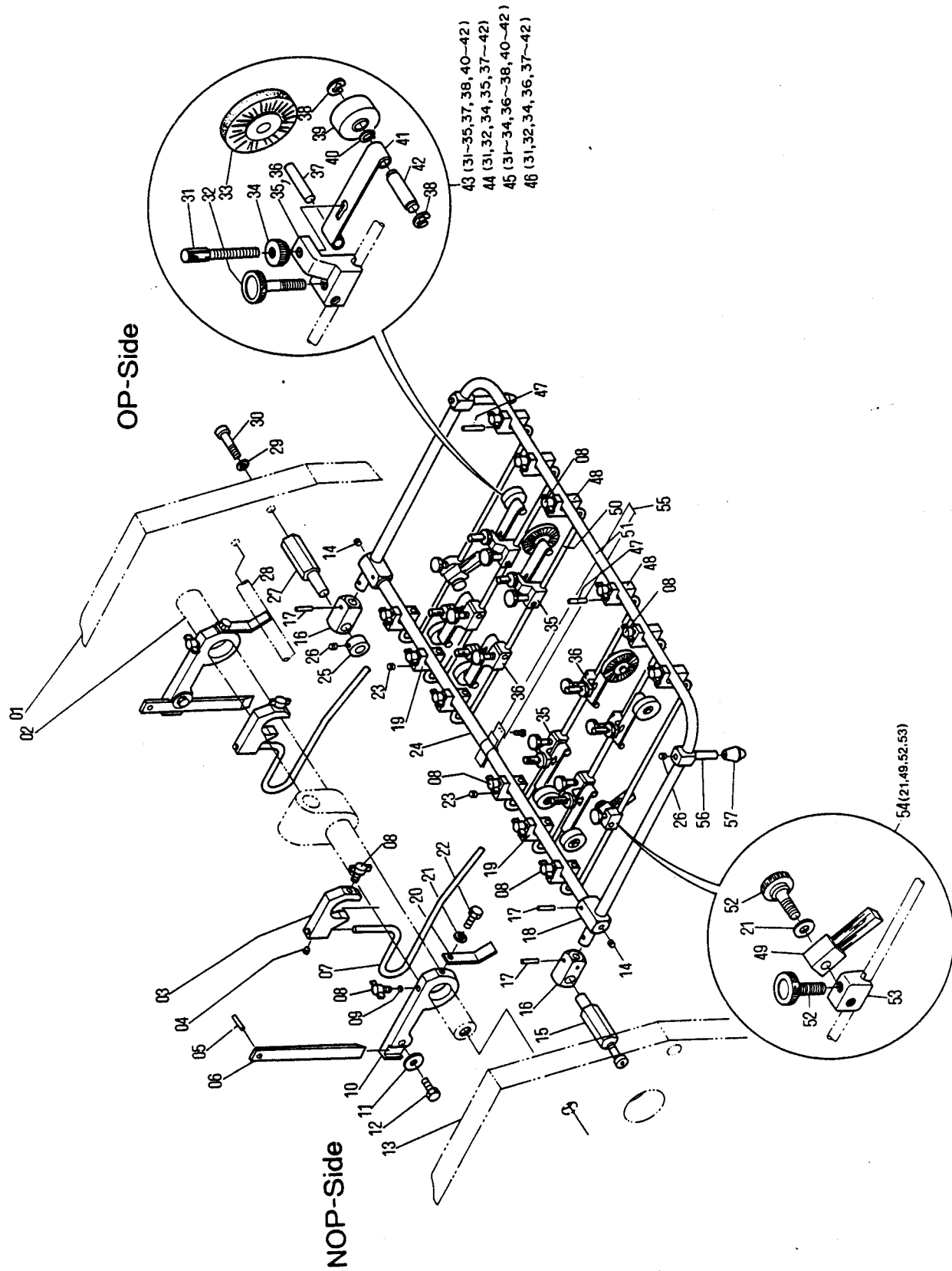
Feed Section
Feeder Driving Section

INDEX No.	Parts No.	Description (Remarks)	Unit Per Assy							
			C48	C48L	C48SF	-SF C48L	C248E	C248L	-SF C248E	-SF C248L
141	5813-17009	Pin	0	0	1	1	0	0	1	1
142	6713-18008	Link	0	0	1	1	0	0	1	1
143	7213-18010	Stud	0	0	1	1	0	0	1	1
144	7213-18013	Arm	0	0	1	1	0	0	1	1
145	117-380	Screw	0	0	2	2	0	0	2	2
146	180-406.1	Washer	0	0	2	2	0	0	2	2
147	6713-17014	Guide Rail	0	0	1	1	0	0	1	1
148	180-103	Lock Washer	0	0	5	5	0	0	5	5
149	125-608	Screw	0	0	1	1	0	0	1	1
150	180-104	Lock Washer	0	0	2	2	0	0	2	2
151	125-660	Screw	0	0	2	2	0	0	2	2
152	6713-01001	Feeder Side Frame	0	0	1	1	0	0	1	1
153	6713-01002	Feeder Side Frame	0	0	1	1	0	0	1	1
154	6713-01009	Cross Bar	0	0	1	1	0	0	1	1
155	F3-116	Pin	0	0	1	1	0	0	1	1
156	E26-75-3	Sencer	0	0	1	1	0	0	1	1
157	E26-75-3	Sencer	0	0	1	1	0	0	1	1
158	E26-83-3	Sencer	0	0	1	1	0	0	1	1
159	6713-01008	Stay	0	0	1	1	0	0	1	1
160	4807-03029	Pin	0	0	1	1	0	0	1	1
161	145-358	Set Screw	0	0	1	1	0	0	1	1
162	7213-18017	Tightener	0	0	1	1	0	0	1	1
163	F3-133	Collar	0	0	1	1	0	0	1	1
164	F3-129	Tension Roller	0	0	1	1	0	0	1	1
165	184-108	Flat Washer	0	0	2	2	0	0	2	2
166										
167	180-108	Lock Washer	0	0	2	2	0	0	2	2
168	117-472	Screw	0	0	2	2	0	0	2	2
169	125-606	Screw	0	0	2	2	0	0	2	2
170	125-610	Screw	0	0	2	2	0	0	2	2
171	7213-17004	Hose	0	0	1	1	0	0	1	1
172	7213-17003	Hose	0	0	1	1	0	0	1	1

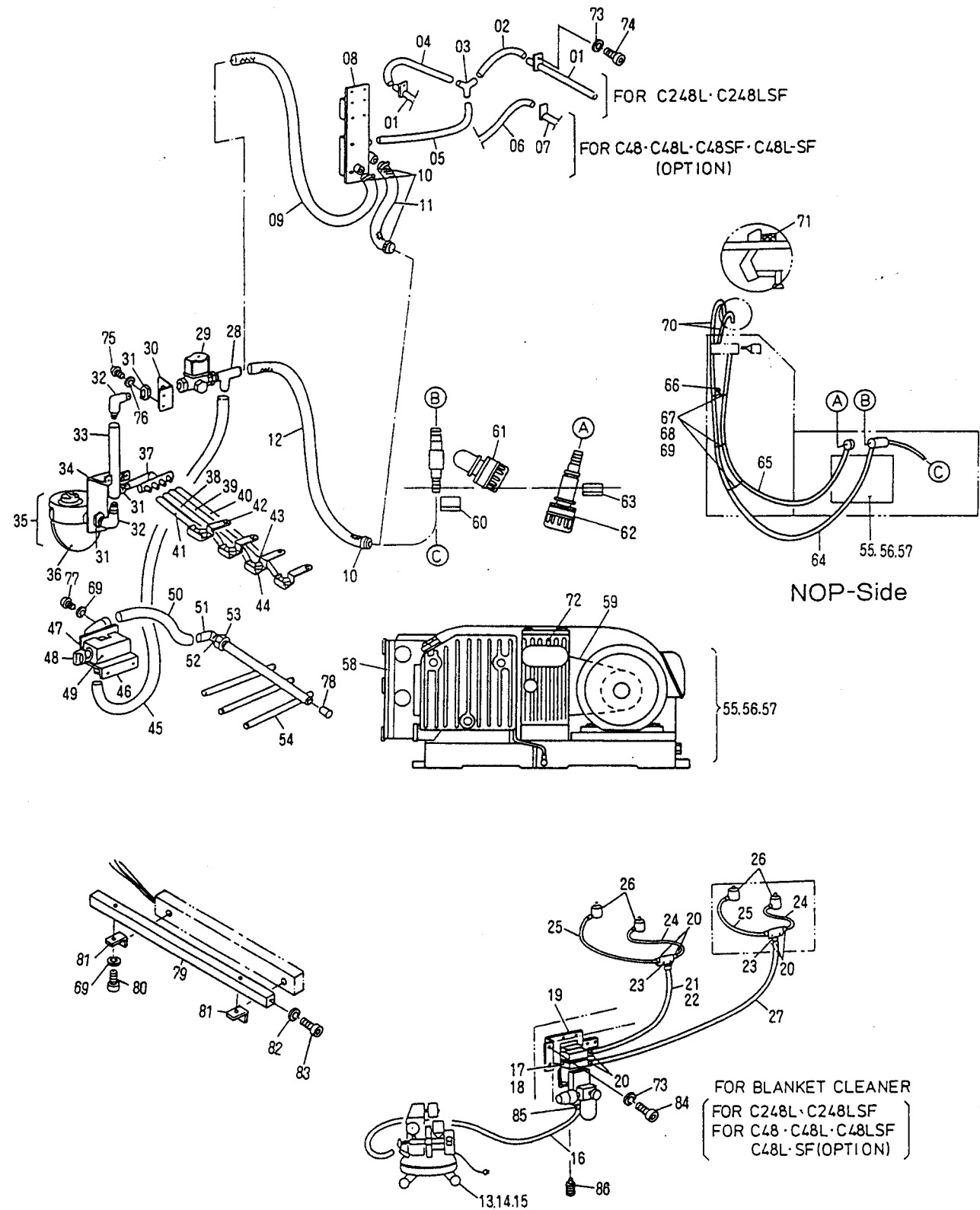


Feed Section
Conveyor Table

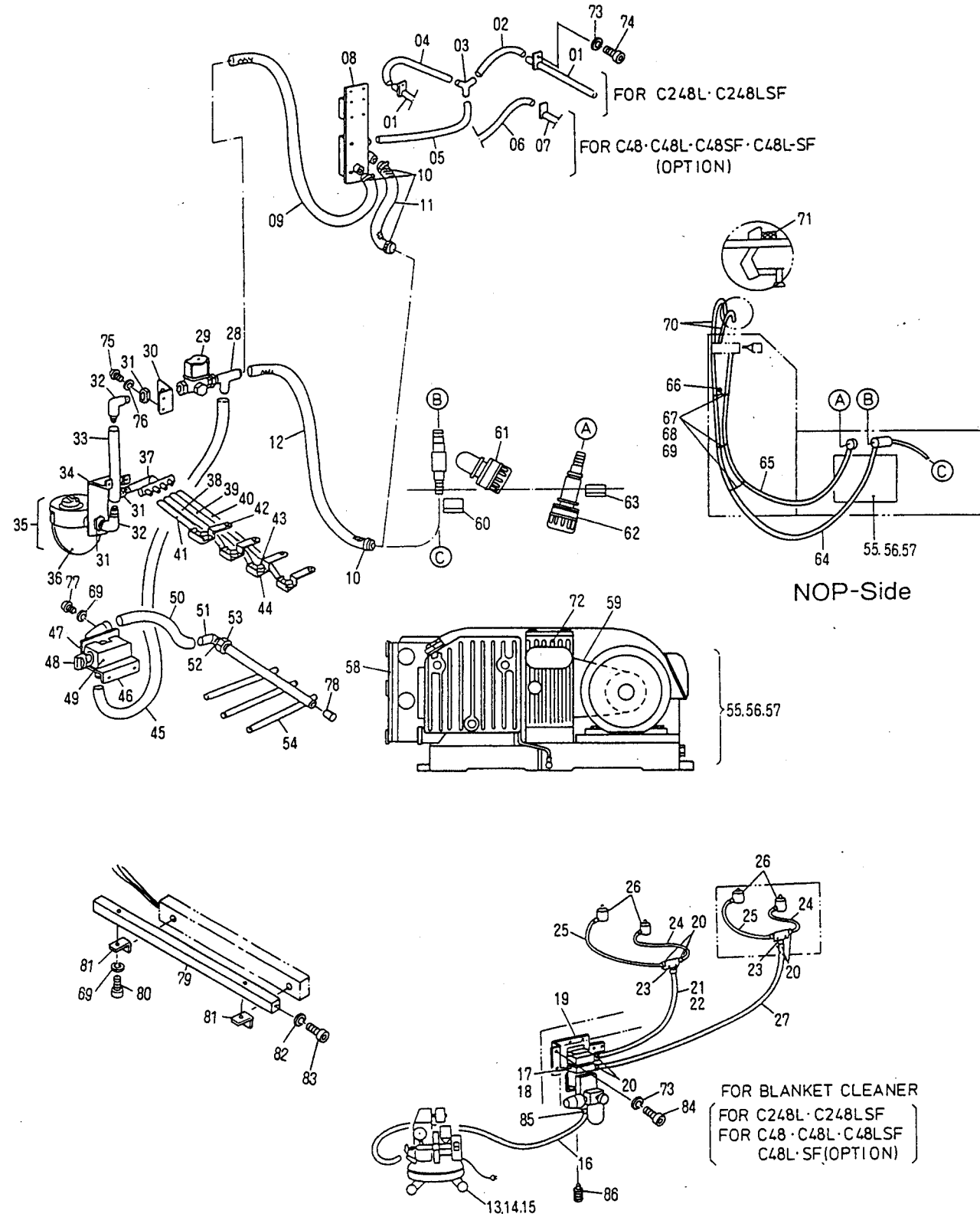
INDEX No.	Parts No.	Description (Remarks)	Units Per Assy							
			C48	C48L	C48SF	-SF C48L	C248E	C248L	-SF C248E	-SF C248L
01	101-481	Screw	0	0	2	2	0	0	2	2
02	184-108.001	Flat Washer	0	0	2	2	0	0	2	2
03	250-001.6	Bearing (Brg. 6001ZZ)	0	0	2	2	0	0	2	2
04	F4-146	Pullout Roller	0	0	2	2	0	0	2	2
05	F4-130	Pin	0	0	2	2	0	0	2	2
06	145-470	Set Screw	0	0	2	2	0	0	2	2
07	170-108	Nut	0	0	13	13	0	0	13	13
08	117-382A	Screw	0	0	2	2	0	0	2	2
09	F4-133A	Lock Nut	0	0	2	2	0	0	2	2
10	F4-2	Pullout Roller Bracket	0	0	2	2	0	0	2	2
11	180-408	Washer	0	0	13	13	0	0	13	13
12	117-408	Screw	0	0	4	4	0	0	4	4
13	180-404.1	Washer	0	0	4	4	0	0	4	4
14	F4-167	Pullout Roller Holder	0	0	2	2	0	0	2	2
15	SP-116	Spring	0	0	2	2	0	0	2	2
16	F4-3	Pullout Roller Bracket	0	0	2	2	0	0	2	2
17	PO-127	Spacer	0	0	6	6	0	0	6	6
18	F4-3-01	Screw Knob	0	0	2	2	0	0	2	2
19	F4-2-A	Pullout Roller Assy (01-18)	0	0	2	2	0	0	2	2
20	117-481	Screw	0	0	6	6	0	0	6	6
21	180-408.1	Washer	0	0	4	4	0	0	4	4
22	F4-128	Pullout Roller Pilot Shaft	0	0	1	1	0	0	1	1
23	SP-117-A	Paper Retainer	0	0	4	4	0	0	4	4
24	7213-19011	Guide Plate Bracket	0	0	2	2	0	0	2	2
25	F4-110	Guide Plate	0	0	1	1	0	0	1	1
26	122-370	Screw	0	0	3	3	0	0	3	3
27	F4-113	Guide Plate Bar	0	0	1	1	0	0	1	1
28	101-365	Screw	0	0	3	3	0	0	3	3
29	117-382	Screw	0	0	3	3	0	0	3	3
30	180-106	Lock Washer	0	0	7	7	0	0	7	7
31	6713-19002	Tape Roller Bushing	0	0	1	1	0	0	1	1
32	145-358	Set Screw	0	0	6	6	0	0	6	6
33	F4-1B	Tape Roller Metal	0	0	1	1	0	0	1	1
34	181-025	C-Ring	0	0	1	1	0	0	1	1
35	250-205.6	Bearing	0	0	1	1	0	0	1	1
36	181-252	C-Ring	0	0	1	1	0	0	1	1
37	7213-19008	Feed Tape	0	0	6	6	0	0	6	6
38	7213-19007	Tape Roller	0	0	1	1	0	0	1	1
39	180-406	Washer	0	0	21	21	0	0	21	21
40	170-106	Nut	0	0	19	19	0	0	19	19
41	F1-12	Operating Cam	0	0	1	1	0	0	1	1
42	250-205.8	Bearing (Brg. 6205ZZNR)	0	0	1	1	0	0	1	1
43	182-213.1	Taper Pin	0	0	1	1	0	0	1	1
44	F3-104	Sprocket	0	0	1	1	0	0	1	1
45	117-365	Screw	0	0	4	4	0	0	4	4
46	7213-19006	Bracket	0	0	1	1	0	0	1	1
47	180-105	Lock Washer	0	0	13	13	0	0	13	13
48	125-712	Screw	0	0	6	6	0	0	6	6
49	183-186	Roll Pin	0	0	1	1	0	0	1	1
50	H38-14-3	Sprocket	0	0	1	1	0	0	1	1
51	6502-07011	Spacing Collar	0	0	1	1	0	0	1	1
52	7213-19004	Conveyor Table	0	0	1	1	0	0	1	1
53	125-662	Screw	0	0	4	4	0	0	4	4
54	180-104	Lock Washer	0	0	8	8	0	0	8	8
55	EH10-02	Conveyor Frame	0	0	1	1	0	0	1	1
56	R11-78-3	Collar	0	0	1	1	0	0	1	1
57	170-104	Nut	0	0	4	4	0	0	4	4
58	125-710	Screw	0	0	4	4	0	0	4	4
59	7202-06001	Bracket	0	0	2	2	0	0	2	2
60	7201-10002	Side Frame	0	0	1	1	0	0	1	1
61	125-718	Screw	0	0	2	2	0	0	2	2
62	I18-59-1A-3	Snubber	0	0	2	2	0	0	2	2
63	7201-10004	Bracket	0	0	2	2	0	0	2	2
64	H10-14-01-3	Bearing Case	0	0	2	2	0	0	2	2
65	258-012	Bearing	0	0	1	1	0	0	1	1
66	170-105	Nut	0	0	3	3	0	0	3	3
67	7201-10003	Kick Bar	0	0	1	1	0	0	1	1
68	6502-06002	Shaft	0	0	1	1	0	0	1	1
69	H30-18-3	Lock Handle	0	0	1	1	0	0	1	1
70	H12-30-3	Knob	0	0	1	1	0	0	1	1



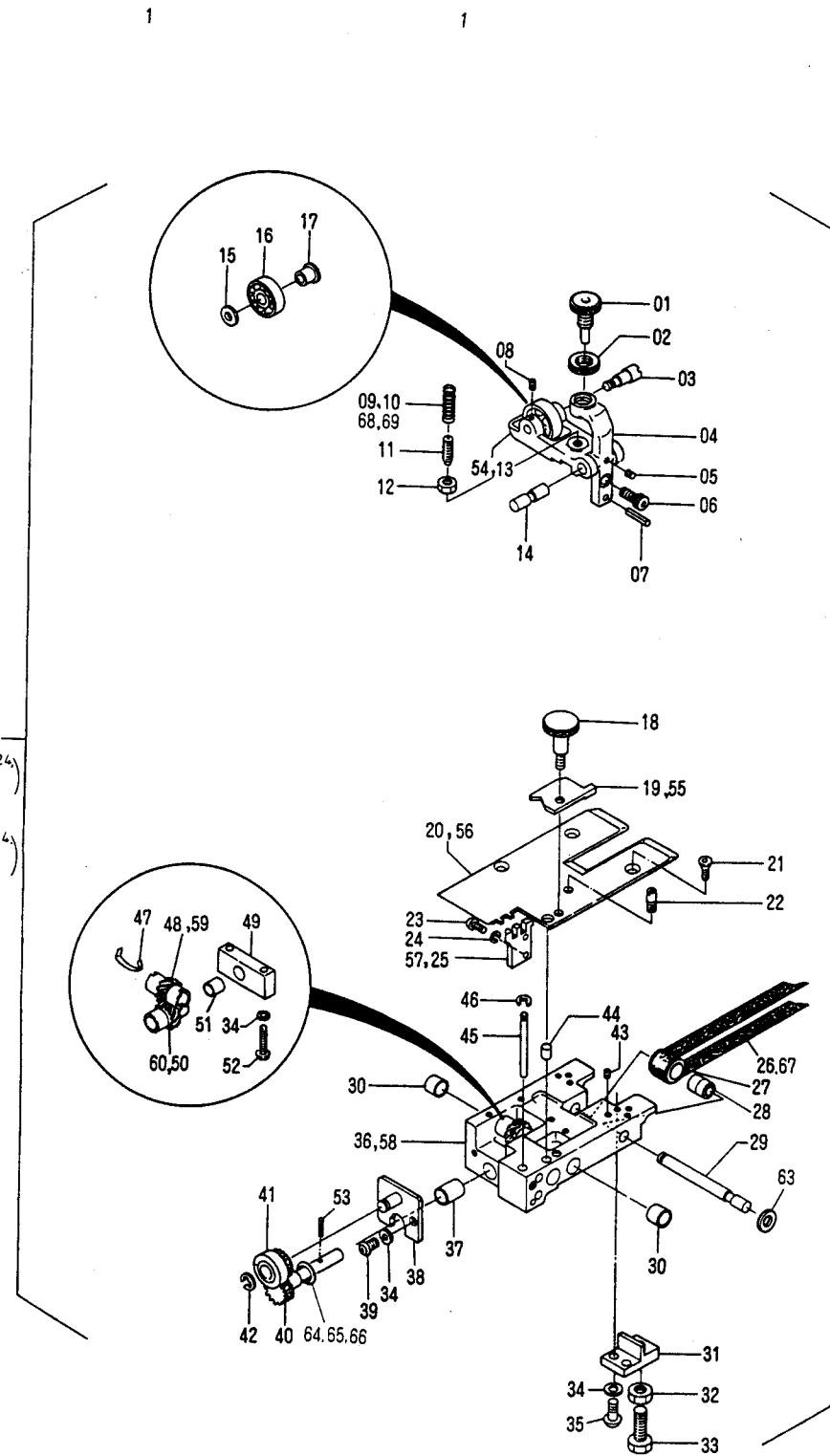
INDEX No.	Parts No.	Description (Remarks)	unit Per Assy							
			C48	C48L	C48SF	-SF C48L	C248E	C248L	-SF C248E	-SF C248L
01	6713-01001	Feeder Side Frame OP-S	0	0	1	1	0	0	1	1
02	F2-101	Spreader	0	0	1	1	0	0	1	1
03	F4-7	Guide Bar Bracket	0	0	2	2	0	0	2	2
04	145-506	Set Screw	0	0	2	2	0	0	2	2
05	183-200.01	Roll Pin	0	0	2	2	0	0	2	2
06	F4-160	Side Guide Bar	0	0	2	2	0	0	2	2
07	F4-159A	Guide Bar	0	0	2	2	0	0	2	2
08	F4-7-01	Thumb Screw	0	0	18	18	0	0	18	18
09	PO-127	Spacer	0	0	2	2	0	0	2	2
10	F4-8	Side Guide Bar Bracket	0	0	2	2	0	0	2	2
11	WSM-2506	Washer	0	0	2	2	0	0	2	2
12	101-365	Screw	0	0	2	2	0	0	2	2
13	6713-01002	Feeder Side Frame NOP-S	0	0	1	1	0	0	1	1
14	145-358	Set Screw	0	0	2	2	0	0	2	2
15	7213-19013	Stud Pin	0	0	1	1	0	0	1	1
16	F4-140A	Bracket	0	0	2	2	0	0	2	2
17	183-185	Roll Pin	0	0	4	4	0	0	4	4
18	F4-140B	Bracket	0	0	2	2	0	0	2	2
19	F4-142	Holder	0	0	6	6	0	0	6	6
20	F4-168	Guide	0	0	2	2	0	0	2	2
21	180-406	Washer	0	0	6	6	0	0	6	6
22	101-360	Screw	0	0	2	2	0	0	2	2
23	145-510	Set Screw	0	0	6	6	0	0	6	6
24	7213-19010	Cross Bar	0	0	1	1	0	0	1	1
25	COM-12	Collar	0	0	2	2	0	0	2	2
26	145-356	Set Screw	0	0	4	4	0	0	4	4
27	7213-19012	Stud Pin	0	0	1	1	0	0	1	1
28	F4-128	Spreader	0	0	1	1	0	0	1	1
29	180-408.1	Washer	0	0	2	2	0	0	2	2
30	117-482	Screw	0	0	2	2	0	0	2	2
31	F4-134	Adjustment Bolt	0	0	8	8	0	0	8	8
32	F4-5R-01	Thumb Screw	0	0	8	8	0	0	8	8
33	F4-149	Brush Roller	0	0	2	2	0	0	2	2
34	F4-133B	Lock Nut	0	0	8	8	0	0	8	8
35	F4-5L	Roller Bracket	0	0	4	4	0	0	4	4
36	F4-5R	Roller Bracket	0	0	4	4	0	0	4	4
37	183-248.01	Roll Pin	0	0	8	8	0	0	8	8
38	181-405	E-Ring	0	0	16	16	0	0	16	16
39	F4-148	Roller	0	0	6	6	0	0	6	6
40	181-008	C-Ring	0	0	8	8	0	0	8	8
41	F4-151	Roller Holder	0	0	8	8	0	0	8	8
42	F4-150	Roller Pin	0	0	8	8	0	0	8	8
43	F4-5L-A	Roller Assy (31-35, 37, 38, 40-42)	0	0	1	1	0	0	1	1
44	F4-5L-B	Roller Assy (31, 32, 34, 35, 37-42)	0	0	1	1	0	0	1	1
45	F4-5R-A	Roller Assy (31-34, 36-38, 40-42)	0	0	1	1	0	0	1	1
46	F4-5R-B	Roller Assy (31, 32, 34, 36, 37-42)	0	0	1	1	0	0	1	1
47	183-185.01	Roll Pin	0	0	6	6	0	0	6	6
48	F4-141	Holder	0	0	6	6	0	0	6	6
49	F4-152	Brush	0	0	2	2	0	0	2	2
50	7213-19002	Bar Spreader	0	0	6	6	0	0	6	6
51	7213-19001	Roller Frame	0	0	1	1	0	0	1	1
52	F4-152-01	Thumb Screw	0	0	4	4	0	0	4	4
53	F4-153	Holder	0	0	2	2	0	0	2	2
54	F4-152-A	Brush Assy (21, 52, 53, 58)	0	0	1	1	0	0	1	1
55	7213-19015A	Paper Retainer Assy	0	0	2	2	0	0	2	2
56	F4-135	Holder	0	0	2	2	0	0	2	2
57	F4-136	Bumper	0	0	2	2	0	0	2	2



INDEX No.	Parts No.	Description (Remarks)	Unit Per Assy							
			C48	C48L	C48SF	-SF C48L	C248E	C248L	-SF C248E	-SF C248L
01	7203-09155	Blower Nozzle	0	0	0	0	0	2	0	2
02	7201-12022	Hose (for C248L, C248L-SF · 1P)	0	0	0	0	0	1	0	1
03	H13-46-01-3	Hose Joint	0	0	0	0	0	1	0	1
04	7201-12023	Hose	0	0	0	0	0	1	0	1
05	7201-12021	Hose	0	0	0	0	0	1	0	1
06	7201-12024	Hose (C48, C48L, C48SF, C48L-SF Option)	1	1	1	1	0	0	0	0
07	7203-09154	Blower Nozzle (")	1	1	1	1	0	0	0	0
08	CP09-41A	Valve Assy (")	1	1	1	1	0	1	0	1
09	7201-12013	Hose (")	1	1	1	1	0	1	0	1
10	H13-54-01-3	Hose Band	11	11	11	11	8	11	8	11
11	7201-12007	Hose (")	1	1	1	1	0	1	0	1
12	7201-12014	Hose	1	1	1	1	1	0	1	0
13	7203-09150	Pump (200V) (")	1	1	1	1	0	1	0	1
14	7203-09180	Pump (380V) (")	1	1	1	1	0	1	0	1
15	7203-09181	Pump (415V) (")	1	1	1	1	0	1	0	1
16	6203-09081	Hose (")	1	1	1	1	0	1	0	1
17	7203-09149	Air Controller (")	0	0	0	0	0	1	0	1
18	7203-09184	Air Controller (")	1	1	1	1	0	0	0	0
19	7203-09171	Bracket (")	1	1	1	1	0	1	0	1
20	6203-09066	Nut (1P) (")	4	4	4	4	0	8	0	8
21	7203-09167	Hose (2P) (")	1	1	1	1	0	0	0	0
22	7203-09169	Hose	0	0	0	0	0	1	0	1
23	6203-09065	Hose Joint (")	1	1	1	1	0	2	0	2
24	7203-09166	Hose (")	1	1	1	1	0	2	0	2
25	7203-09165	Hose (")	1	1	1	1	0	2	0	2
26	6203-09070	Air Cylinder (")	2	2	2	2	0	4	0	4
27	7203-09168	Hose	0	0	0	0	0	1	0	1
28	CH06-17	Hose Joint	1	1	1	1	1	1	1	1
29	E09-42-02-3	Air Valve	1	1	1	1	1	1	1	1
30	5804-06010	Bracket	1	1	1	1	1	1	1	1
31	DS-05	Nut	3	3	3	3	3	3	3	3
32	DS-04	Hose Joint	2	2	2	2	2	2	2	2
33	7201-12026	Hose	1	1	1	1	1	1	1	1
34	7204-06002	Bracket	1	1	1	1	1	1	1	1
35	A07-16-1C-3	Spray Bottle Assy	1	1	1	1	1	1	1	1
36	A07-16-3	Spray Bottle (Included in 35)	1	1	1	1	1	1	1	1
37	5804-06018	Hose Joint	1	1	1	1	1	1	1	1
38	7201-12018	Hose	1	1	1	1	1	1	1	1
39	7201-12019	Hose	1	1	1	1	1	1	1	1
40	7201-12020	Hose	1	1	1	1	1	1	1	1
41	7201-12017	Hose	1	1	1	1	1	1	1	1
42	5804-06002	Arm	4	4	4	4	4	4	4	4
43	CH06-03	Elbow	4	4	4	4	4	4	4	4
44	A07-37-3	Spray Nozzle	4	4	4	4	4	4	4	4
45	7201-12012	Hose	1	1	1	1	1	1	1	1
46	5804-06019	Bracket	1	1	1	1	1	1	1	1
47	5804-06006	Valve Shaft	1	1	1	1	1	1	1	1
48	H13-14-3	Air Control Knob	1	1	1	1	1	1	1	1
49	5804-06004B	Valve Bracket	1	1	1	1	1	1	1	1
50	7201-12025	Hose	1	1	1	1	1	1	1	1
51	5804-06009	Hose Joint	1	1	1	1	1	1	1	1
52	180-412	Lock Washer	1	1	1	1	1	1	1	1
53	CH06-23	Nut	1	1	1	1	1	1	1	1
54	7204-06001A	Air Shower Pipe	1	1	1	1	1	1	1	1
55	E01-128-3	Pump (T-200V)	-	-	1	1	-	-	1	1
56	E01-91-01-3	Pump (T-380V)	-	-	1	1	-	-	1	1
57	E01-95-01-3	Pump (T-415V)	-	-	1	1	-	-	1	1
58	R30	Filter Element	-	-	2	2	-	-	2	2
59	A36R	V-Belt	-	-	1	1	-	-	1	1
60	HP-40	Pressure Gauge	-	-	1	1	-	-	1	1
61	DTP-20	Control Valve (for Pressure)	-	-	1	1	-	-	1	1
62	DTV-15	Control Valve (for Vacum)	-	-	1	1	-	-	1	1
63	HV-40	Vacum Gauge	-	-	1	1	-	-	1	1
64	7213-17004	Hose (l = 1640 mm)	-	-	1	1	-	-	1	1
65	7213-17003	Hose (l = 1440 mm)	-	-	1	1	-	-	1	1
66	7204-02039	Stud Pin	-	-	1	1	-	-	1	1
67	CK16-23	Hose Band	-	-	3	3	-	-	3	3
68	101-510	Screw	-	-	3	3	-	-	3	3
69	180-105	Lock Washer	-	-	3	3	-	-	3	3
70	7213-17005	Hose (l = 800 mm)	-	-	2	2	-	-	2	2

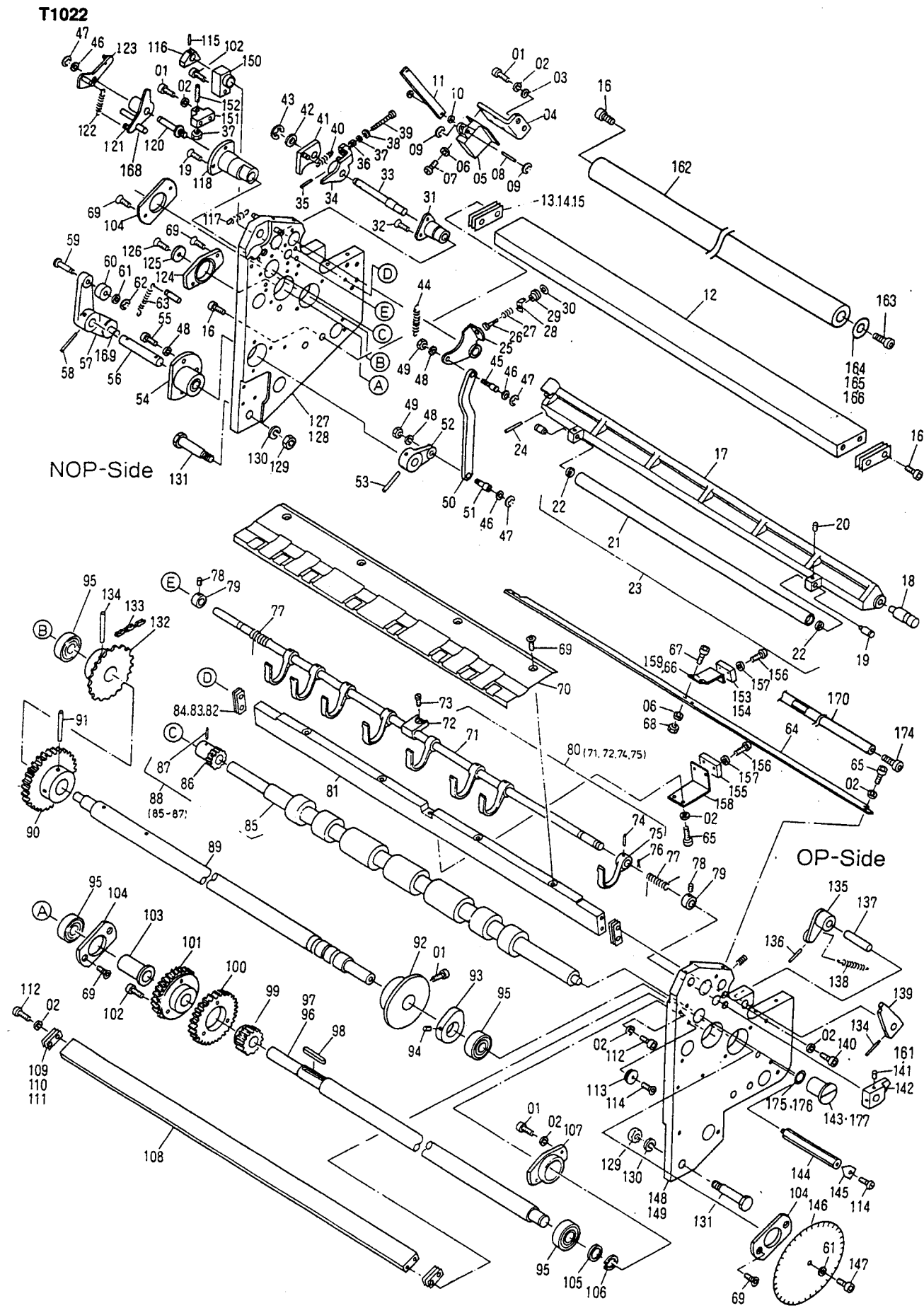


INDEX No.	Parts No.	Description (Remarks)	Unit Per Assy							
			C48	C48L	C48SF	-SF C48L	C248E	C248L	-SF C248E	-SF C248L
71	7213-17006	Hose (l = 40 mm)	-	-	1	1	-	-	1	1
72	W70-150	Mist Separator Element	-	-	1	1	-	-	1	1
73	180-106	Lock Washer	-	-	1	1	-	-	2	2
74	117-365	Screw	-	-	1	1	-	-	2	2
75	125-760	Screw	-	-	2	2	-	-	2	2
76	180-106	Lock Washer	-	-	2	2	-	-	2	2
77	125-710	Screw	-	-	2	2	-	-	2	2
78	320-595	Plug	-	-	1	1	-	-	1	1
79	7204-01006	Stay	-	-	1	1	-	-	1	1
80	117-510	Screw	-	-	2	2	-	-	2	2
81	7204-06005	Bracket	-	-	2	2	-	-	2	2
82	180-108	Lock Washer	-	-	2	2	-	-	2	2
83	117-483	Screw	-	-	2	2	-	-	2	2
84	117-360	Screw	-	-	2	2	-	-	2	2
85	6203-09078	Plug	-	-	1	1	-	-	1	1
86	6203-09076	Silencer	-	-	1	1	-	-	1	1



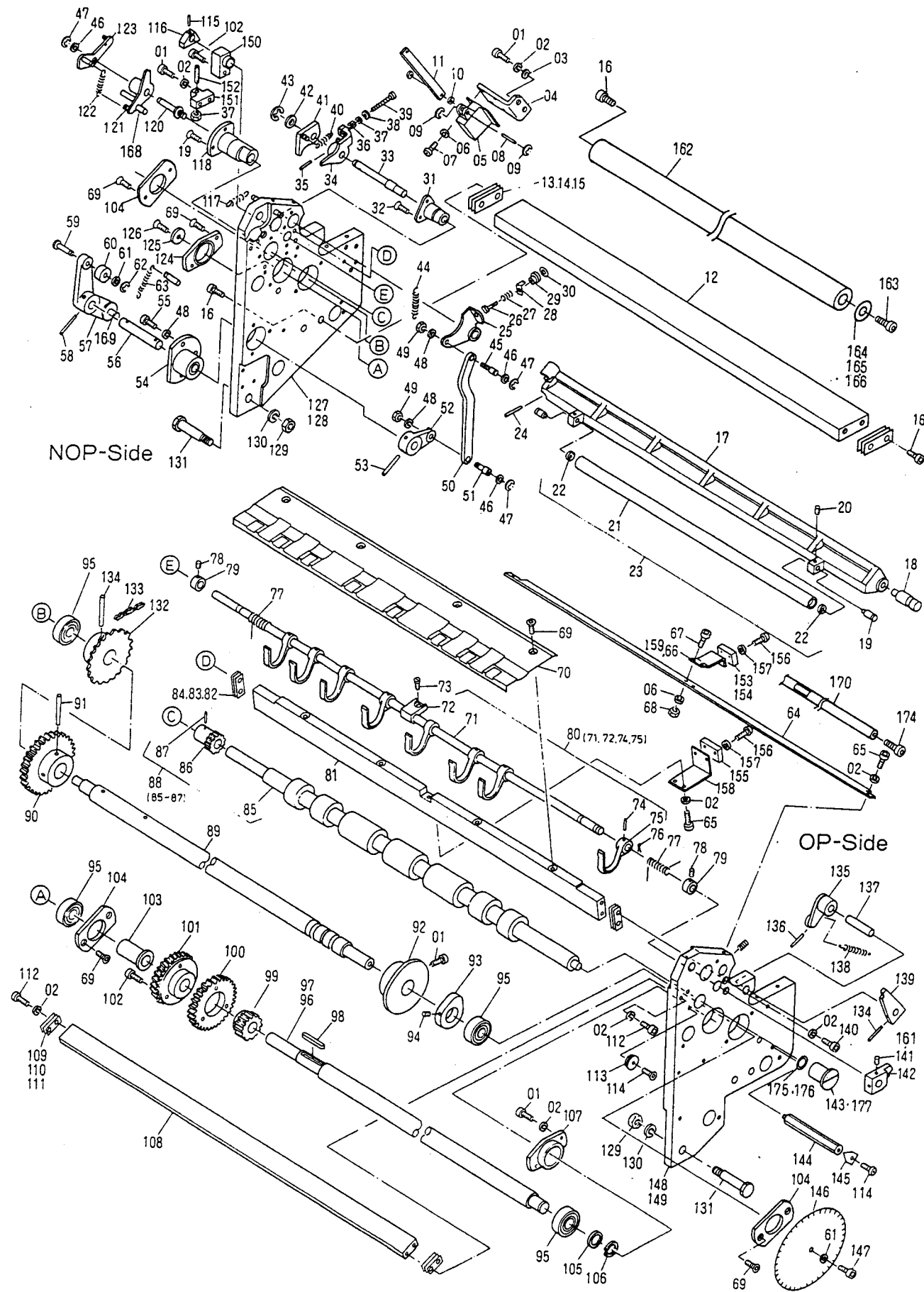
Feed Section
Side Register

INDEX No.	Parts No.	Description (Remarks)	Unit Per Assy							
			C48	C48L	C48SF	-SF C48L	C248E	C248L	-SF C248E	-SF C248L
01	H37-18-1A-3	Thumb Screw	2	2	2	2	2	2	2	2
02	H37-19-3	Adjustment Lock Knob	2	2	2	2	2	2	2	2
03	5802-06140	Upper Roller Shaft	2	2	2	2	2	2	2	2
04	5802-06007	Support Bracket	2	2	2	2	2	2	2	2
05	145-404	Set Screw	2	2	2	2	2	2	2	2
06	117-365	Screw	2	2	2	2	2	2	2	2
07	183-185	Roll Pin	2	2	2	2	2	2	2	2
08	145-305	Set Screw	2	2	2	2	2	2	2	2
09	SP-28	Upper Roller Spring	2	2	2	2	2	2	2	2
10	H37-52-3	Upper Roller Spring (for Thinner Stock)	1	1	1	1	1	1	1	1
11	140-370	Adjust Screw	2	2	2	2	2	2	2	2
12	170-106	Nut	2	2	2	2	2	2	2	2
13	5802-06005	Upper Roller Bracket (OP-S)	1	1	1	1	1	1	1	1
14	H37-22-3	Upper Roller Bracket Shaft	2	2	2	2	2	2	2	2
15	H37-26-3	Spacer	2	2	2	2	2	2	2	2
16	250-200	Upper Roller	2	2	2	2	2	2	2	2
17	H37-25-3	Upper Roller Bushing	2	2	2	2	2	2	2	2
18	H37-16-3	Thumb Screw	2	2	2	2	2	2	2	2
19	7202-06009	Lift Plate (OP-S)	1	1	1	1	1	1	1	1
20	H37-07-3	Paper Guide (OP-S)	1	1	1	1	1	1	1	1
21	122-110	Screw	6	6	6	6	6	6	6	6
22	101-19-3	Pin	2	2	2	2	2	2	2	2
23	125-662	Screw	4	4	4	4	4	4	4	4
24	180-104	Lock Washer	4	4	4	4	4	4	4	4
25	H37-05-3	Paper Guide Plate (OP-S)	1	1	1	1	1	1	1	1
26	H37-54-3	Conveyor Tapes	2	2	0	0	2	2	0	0
27	6502-06005	Taper Roller	2	2	2	2	2	2	2	2
28	250-098.6	Bearing (BRG. 698ZZ)	2	2	2	2	2	2	2	2
29	6502-06008	Register Roller Shaft	2	2	2	2	2	2	2	2
30	243-612	Bushing Included in 36, 58	4	4	4	4	4	4	4	4
31	H37-13-3	Bracket	4	4	4	4	4	4	4	4
32	170-108	Nut	4	4	4	4	4	4	4	4
33	H37-53-3	Screw	4	4	4	4	4	4	4	4
34	180-105	Lock Washer	16	16	16	16	16	16	16	16
35	125-715	Screw	8	8	8	8	8	8	8	8
36	H37-01-0A-3	Housing (OP-S)	1	1	1	1	1	1	1	1
37	243-614	Drive Gear Bushing Included in 36, 58	2	2	2	2	2	2	2	2
38	H37-39-1C-3	Lower Roller Bracket	2	2	2	2	2	2	2	2
39	125-712	Screw	4	4	4	4	4	4	4	4
40	H37-34-3	Gear	2	2	2	2	2	2	2	2
41	H37-41-1A-3	Lower Roller with Gear	2	2	2	2	2	2	2	2
42	181-406	E-Ring	2	2	2	2	2	2	2	2
43	145-506	Set Screw	2	2	2	2	2	2	2	2
44	H37-47-3	Pin	2	2	2	2	2	2	2	2
45	6502-07014	Kick Pin	2	2	2	2	2	2	2	2
46	181-404	E-Ring	2	2	2	2	2	2	2	2
47	H37-33-02-3	Gear Holder	2	2	2	2	2	2	2	2
48	H37-30-02-3	Gear (NOP-S)	2	2	2	2	2	2	2	2
49	H37-37-3	Drive Gear Bracket	2	2	2	2	2	2	2	2
50	H37-35-3	Gear (OP-S)	1	1	1	1	1	1	1	1
51	243-609	Bushing Included in 49	2	2	2	2	2	2	2	2
52	125-730	Screw	4	4	4	4	4	4	4	4
53	183-168	Roll Pin (NOP-S)	2	2	2	2	2	2	2	2
54	5802-06006	Upper Roller Bracket (NOP-S)	1	1	1	1	1	1	1	1
55	7202-06010	Lift Plate (NOP-S)	1	1	1	1	1	1	1	1
56	H37-08-3	Paper Guide (NOP-S)	1	1	1	1	1	1	1	1
57	H37-06-3	Paper Guide Plate (NOP-S)	1	1	1	1	1	1	1	1
58	H37-02-3	Housing (NOP-S)	1	1	1	1	1	1	1	1
59	H37-31-02-3	Gear (OP-S)	1	1	1	1	1	1	1	1
60	H37-36-3	Gear (NOP-S)	1	1	1	1	1	1	1	1
61	H37-01-4D-3	Side Register Assy (01-09, 11-17, 20-46, 49-53, 63, 64) (OP-S)	1	1	0	0	1	1	0	0
62	H37-02-4D-3	Side Register Assy (01-09, 11, 12, 14-17, 21-24, 26-35, 37-46, 49, 51-54, 56-58, 60, 63, 64) (NOP-S)	1	1	0	0	1	1	0	0
63	6502-06009	Spacer	2	2	2	2	2	2	2	2
64	5202-01008	Shim (t = 0.1mm)								
65	7202-06011	Shim (t = 0.03mm)								
66	7202-06012	Shim (t = 0.05mm)								
67	7213-19009	Conveyor Tapes	0	0	2	2	0	0	2	2
68	H04-62-3	Upper Roller Spring (for Thinner Stock)	2	2	2	2	2	2	2	2
69	5802-06051	Upper Roller Spring (for Thinner Stock)	2	2	2	2	2	2	2	2



INDEX No.	Parts No.	Description (Remarks)	Unit Per Assy							
			C48	C48L	C48SF	-SF C48L	C248E	C248L	-SF C248E	-SF C248L
01	117-515	Screw	10	10	10	10	8	8	8	8
02	180-105	Lock Washer	18	18	18	18	16	16	16	16
03	184-105	Flat Washer	2	2	2	2	2	2	2	2
04	7204-05048	Bracket	1	1	1	1	1	1	1	1
05	E09-29-3	Solenoid	1	1	1	1	1	1	1	1
06	180-104	Lock Washer	4	4	4	4	4	4	4	4
07	117-406	Screw	4	4	4	4	4	4	4	4
08	EM04-59	Pin	1	1	1	1	1	1	1	1
09	181-403	E-Ring	3	3	3	3	3	3	3	3
10	EM04-43	Spacer	2	2	2	2	2	2	2	2
11	7202-05018	Link	1	1	1	1	1	1	1	1
12	7202-05043	Spreader	1	1	1	1	1	1	1	1
13	7202-05064	Spacer (t = 0.02)	-	-	-	-	-	-	-	-
14	7202-05065	Spacer (t = 0.03)	-	-	-	-	-	-	-	-
15	7202-05066	Spacer (t = 0.05)	-	-	-	-	-	-	-	-
16	117-480	Screw	4	4	4	4	4	4	4	4
17	7202-05022	Upper Feed Roller Frame	1	1	1	1	1	1	1	1
18	5802-05024	Pin (OP-S)	1	1	1	1	1	1	1	1
19	5802-05051	Pin	2	2	2	2	2	2	2	2
20	145-406	Set Screw	2	2	2	2	2	2	2	2
21	7202-05023	Upper Feed Roller (Included in 23)	1	1	1	1	1	1	1	1
22	250-104.6	Bearing (Included in 23)	2	2	2	2	2	2	2	2
23	7202-05023A	Upper Feed Roller Assy (21, 22)	1	1	1	1	1	1	1	1
24	182-148	Taper Pin	1	1	1	1	1	1	1	1
25	7202-05024A	Lever	1	1	1	1	1	1	1	1
26	EM04-74	Adjustment Screw	1	1	1	1	1	1	1	1
27	5802-05063	Spring	1	1	1	1	1	1	1	1
28	M04-20-3	Click Stop	1	1	1	1	1	1	1	1
29	7202-05075	Adjustment Knob	1	1	1	1	1	1	1	1
30	7202-05076	Name Plate	1	1	1	1	1	1	1	1
31	7202-05027	Bushing (NOP-S)	1	1	1	1	1	1	1	1
32	122-112	Screw	3	3	3	3	3	3	3	3
33	7202-05026	Upper Feed Roller Frame Pivot Pin (NOP-S)	1	1	1	1	1	1	1	1
34	7202-05028A	Lever	1	1	1	1	1	1	1	1
35	EM04-66	Roll Pin	1	1	1	1	1	1	1	1
36	5802-05059	Nut	1	1	1	1	1	1	1	1
37	170-105	Nut	2	2	2	2	2	2	2	2
38	7202-05052	Adjustment Scale	1	1	1	1	1	1	1	1
39	125-731	Screw	1	1	1	1	1	1	1	1
40	M04-21-3	Spring	1	1	1	1	1	1	1	1
41	7202-05031A	Head Stop Operating Lever	1	1	1	1	1	1	1	1
42	184-110	Flat Washer	1	1	1	1	1	1	1	1
43	181-408	E-Ring	1	1	1	1	1	1	1	1
44	U12-65-3	Spring	1	1	1	1	1	1	1	1
45	5802-05054	Pin	1	1	1	1	1	1	1	1
46	184-108	Flat Washer	3	3	3	3	3	3	3	3
47	181-406	E-Ring	3	3	3	3	3	3	3	3
48	180-106	Lock Washer	2	2	2	2	2	2	2	2
49	170-106	Nut	2	2	2	2	2	2	2	2
50	7202-07017	Link	1	1	1	1	1	1	1	1
51	7202-07023	Pin	1	1	1	1	1	1	1	1
52	7202-07022	Lever	1	1	1	1	1	1	1	1
53	182-169	Taper Pin	1	1	1	1	1	1	1	1
54	7202-07021A	Bracket Assy (Included Bushing)	1	1	1	1	1	1	1	1
55	117-368	Screw	3	3	3	3	3	3	3	3
56	7202-07018	Shaft	1	1	1	1	1	1	1	1
57	7202-07016A	Lever Assy	1	1	1	1	1	1	1	1
58	182-169	Taper Pin	1	1	1	1	1	1	1	1
59	7202-07020	Pin	1	1	1	1	1	1	1	1
60	258-611.2	Bearing	1	1	1	1	1	1	1	1
61	184-106	Flat Washer	2	2	2	2	2	2	2	2
62	181-404	E-Ring	1	1	1	1	1	1	1	1
63	7202-06008	Spring	2	2	2	2	2	2	2	2
64	7202-05038	Sensor Bracket	0	0	0	0	1	1	1	1
65	117-510	Screw	2	2	4	4	2	2	2	2
66	7202-05037	Bracket	0	0	0	0	1	1	1	1
67	117-412	Screw	2	2	2	2	2	2	2	2
68	170-104	Nut	2	2	2	2	2	2	2	2
69	122-110	Screw	8	8	8	8	8	8	8	8
70	7202-05006	Paper Feed Plate	1	1	1	1	1	1	1	1

T1022

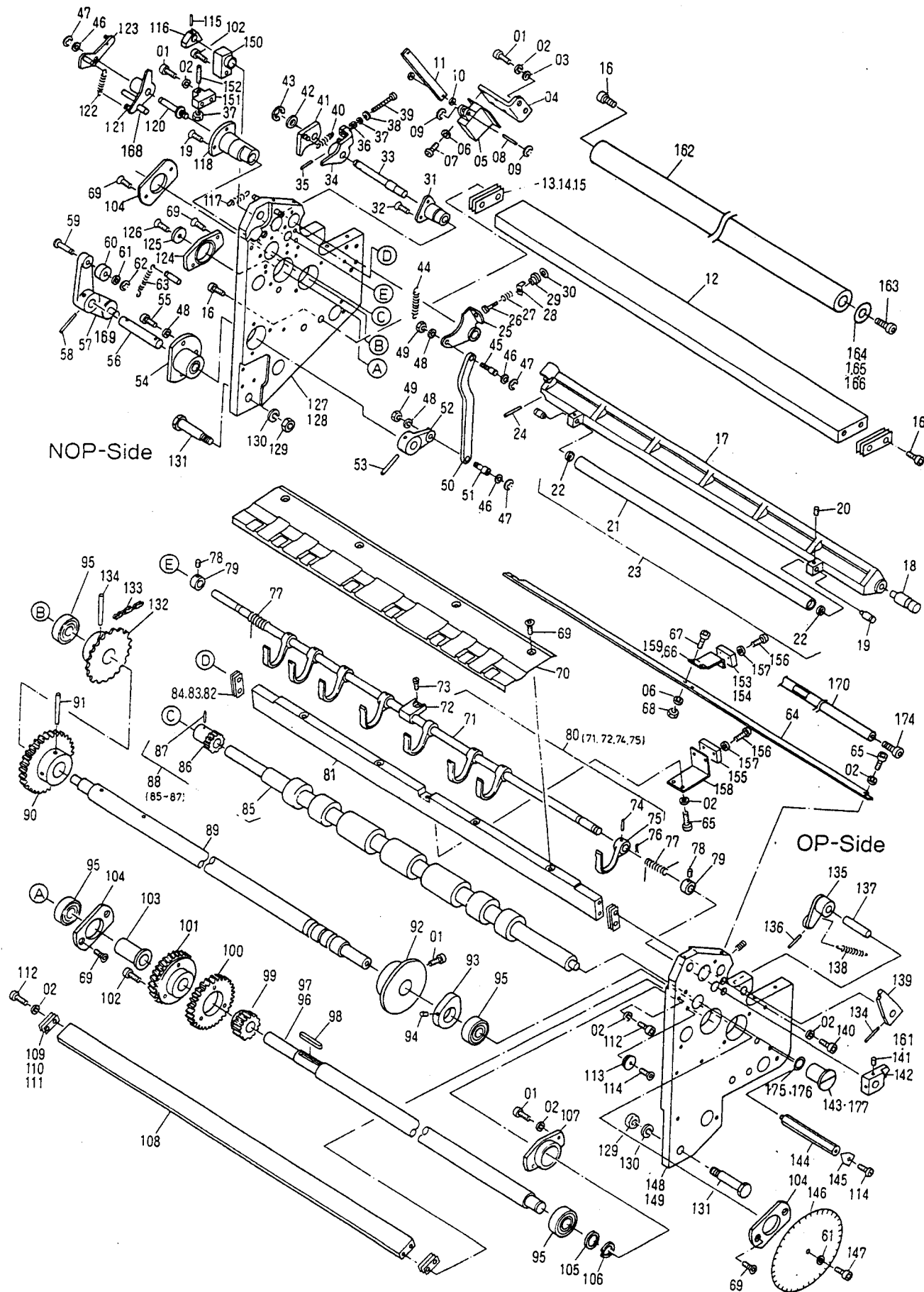


Paper Feed-in Unit

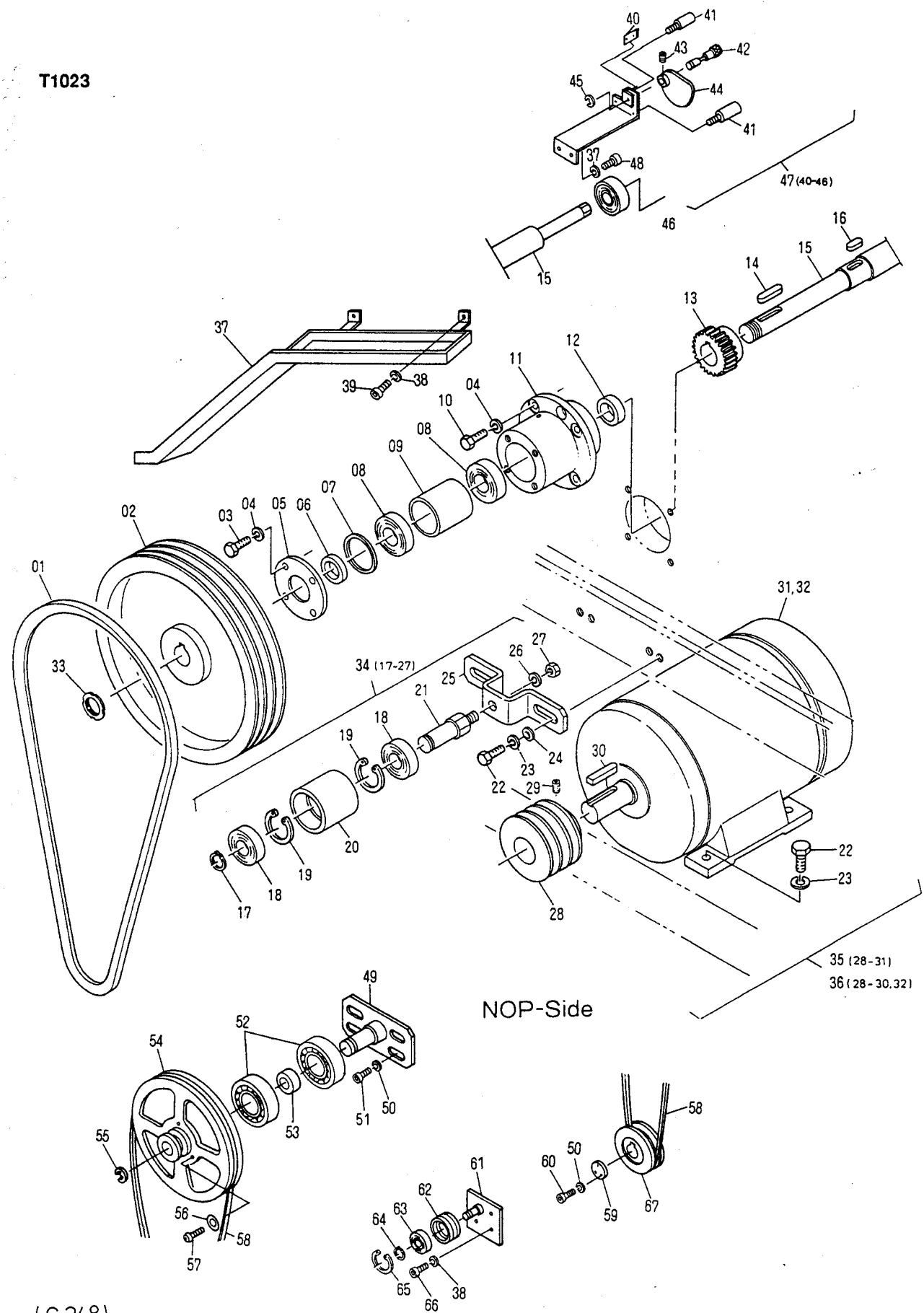
T1022 (2)

INDEX No.	Parts No.	Description (Remarks)	Unit Per Assy							
			C48	C48L	C48SF	-SF C48L	C248E	C248L	-SF C248E	-SF C248L
71	7202-05007	Shaft	1	1	1	1	1	1	1	
72	7202-05009	Head Stop Bracket	1	1	1	1	1	1	1	
73	111-360	Screw	1	1	1	1	1	1	1	
74	183-184	Roll Pin	8	8	8	8	8	8	8	
75	7202-05008	Head Stop	8	8	8	8	8	8	8	
76	183-745	Cotter Pin	2	2	2	2	2	2	2	
77	7202-05049	Spring	2	2	2	2	2	2	2	
78	145-505	Set Screw	2	2	2	2	2	2	2	
79	7203-02065	Coller	2	2	2	2	2	2	2	
80	7202-05007A	Head Stop Assy (71, 72, 74, 75)	1	1	1	1	1	1	1	
81	7202-05025	Spreader	1	1	1	1	1	1	1	
82	7202-05061	Spacer (t = 0.02)	-	-	-	-	-	-	-	
83	7202-05062	Spacer (t = 0.03)	-	-	-	-	-	-	-	
84	7202-05063	Spacer (t = 0.05)	-	-	-	-	-	-	-	
85	7202-05005	Lower Feed Roller	1	1	1	1	1	1	1	
86	7202-05019	Gear	1	1	1	1	1	1	1	
87	183-185	Roll Pin	1	1	1	1	1	1	1	
88	7202-05005A	Lower Feed Roller Assy (85 - 87)	1	1	1	1	1	1	1	
89	7202-07026	Shaft	0	0	0	0	1	1	1	
90	7202-07005	Gear	1	1	1	1	1	1	1	
91	182-192	Taper Pin	1	1	1	1	1	1	1	
92	7202-07014	Cam	1	1	1	1	1	1	1	
93	7202-05040	Cam	1	1	1	1	1	1	1	
94	145-515	Set Screw	2	2	2	2	2	2	2	
95	250-602	Bearing	4	4	4	4	4	4	4	
96	7202-07006	Shaft	0	0	0	0	1	1	1	
97	7202-07015	Shaft	1	1	1	1	0	0	0	
98	188-036	Key	1	1	1	1	1	1	1	
99	7202-07009	Gear	1	1	1	1	1	1	1	
100	7202-07008	Gear	1	1	1	1	1	1	1	
101	7202-07004	Gear	1	1	1	1	1	1	1	
102	117-520	Screw	3	3	3	3	3	3	3	
103	7202-07010	Spacer	1	1	1	1	1	1	1	
104	7202-07012	Bearing Retainer	3	3	3	3	3	3	3	
105	5101-02044	Spacer	1	1	1	1	1	1	1	
106	181-015	C-Ring	1	1	1	1	1	1	1	
107	7202-05021	Bracket	1	1	1	1	0	0	0	
108	7202-05047	Spreader	1	1	1	1	1	1	1	
109	7202-05067	Spacer (t = 0.02)	-	-	-	-	-	-	-	
110	7202-05068	Spacer (t = 0.03)	-	-	-	-	-	-	-	
111	7202-05069	Spacer (t = 0.05)	-	-	-	-	-	-	-	
112	117-525	Screw	4	4	4	4	4	4	4	
113	5203-11007	Retaining Washer	1	1	1	1	1	1	1	
114	125-708	Screw	2	2	2	2	2	2	2	
115	5802-05114	Roll Pin	1	1	1	1	1	1	1	
116	7202-05010	Head Stop Operating Cam	1	1	1	1	1	1	1	
117	7202-05051	Spring	1	1	1	1	1	1	1	
118	7202-05012	Bushing	1	1	1	1	1	1	1	
119	122-115	Screw	2	2	2	2	2	2	2	
120	7202-05013	Stud Pin	1	1	1	1	1	1	1	
121	7202-05046A	Hook Lower	1	1	1	1	1	1	1	
122	128-31-01-3	Spring	1	1	1	1	1	1	1	
123	7202-05016A	Lever	1	1	1	1	1	1	1	
124	7202-07011	Bearing Retainer	1	1	1	1	1	1	1	
125	7202-07013	Flat Washer	1	1	1	1	1	1	1	
126	122-112	Screw	1	1	1	1	1	1	1	
127	7202-05002	Frame (NOP-S)	0	0	0	0	1	1	1	
128	7202-05004	Frame (NOP-S)	1	1	1	1	0	0	0	
129	170-110	Nut	4	4	4	4	4	4	4	
130	180-110	Lock Washer	4	4	4	4	4	4	4	
131	7202-05035	Connection Screw	4	4	4	4	4	4	4	
132	6502-14007	Chain Wheel	1	1	1	1	1	1	1	
133	7202-07024	Chain	1	1	1	1	1	1	1	
134	183-187	Roll Pin	2	2	2	2	2	2	2	
135	7202-05039A	Lever	1	1	1	1	1	1	1	
136	183-186	Roll Pin	1	1	1	1	1	1	1	
137	7202-05044	Shaft	1	1	1	1	1	1	1	
138	R11-60-01-3	Spring	1	1	1	1	1	1	1	
139	7202-05042	Hook Lever	1	1	1	1	1	1	1	
140	117-530	Screw	4	4	4	4	4	4	4	

T1022

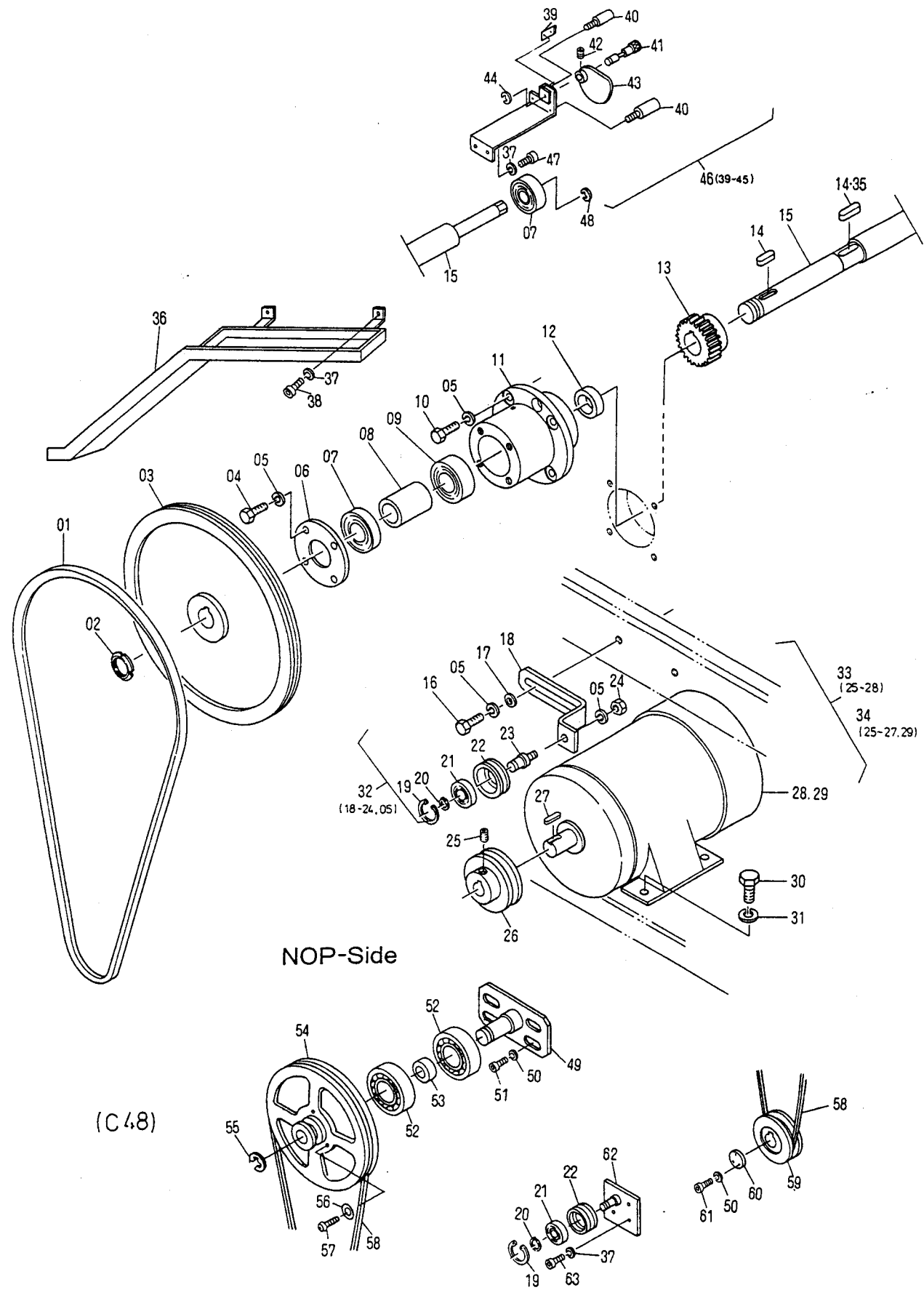


INDEX No.	Parts No.	Description (Remarks)	Unit Per Assy							
			C48	C48L	C48SF	-SF C48L	C248E	C248L	-SF C248E	-SF C248L
141	145-508	Set Screw	2	2	2	2	2	2	2	
142	7202-05045	Hook Lever	1	1	1	1	1	1	1	
143	7202-05011	Bushing (OP-S)	1	1	1	1	1	1	1	
144	7202-05072	Stud Pin	0	0	0	0	1	1	1	
145	5802-10058	Indicator	0	0	0	0	1	1	1	
146	5802-10057	Angle Indicated Plate	0	0	0	0	1	1	1	
147	117-360	Screw	1	1	1	1	1	1	1	
148	7202-05001	Frame (OP-S)	0	0	0	0	1	1	1	
149	7203-05003	Frame (OP-S)	1	1	1	1	0	0	0	
150	5802-05046	Bushing Bracket (No. Name)	1	1	1	1	1	1	1	
151	5802-05045	Bracket	1	1	1	1	1	1	1	
152	145-530	Set Screw	1	1	1	1	1	1	1	
153	E26-80-3	Sensor (DS4)	1	1	0	0	1	1	0	
154	E26-69-3	Sensor (R87-013)	0	0	1	1	0	0	1	
155	E26-68-3	Sensor (L87-013)	0	0	1	1	0	0	1	
156	125-615	Screw	2	2	4	4	2	2	4	
157	180-103	Lock Washer	2	2	4	4	2	2	4	
158	7202-05070	Bracket	0	0	1	1	0	0	1	
159	7202-05036	Bracket	1	1	1	1	0	0	0	
160	7202-07027	Shaft	1	1	1	1	0	0	0	
161	145-358	Set Screw	2	2	2	2	2	2	2	
162	7202-05033	Shaft	1	1	1	1	0	0	0	
163	117-475	Screw	1	1	1	1	0	0	0	
164	7202-05055	Shim (t=0.02)	-	-	-	-	0	0	0	
165	7202-05056	Shim (t=0.03)	-	-	-	-	0	0	0	
166	7202-05057	Shim (t=0.05)	-	-	-	-	0	0	0	
167	7202-05050	Pin	1	1	1	1	1	1	1	
168	X12-39-3	Pin	1	1	1	1	1	1	1	
169	CK08-27	Pin	2	2	2	2	2	2	2	
170	7202-05034	Shaft	1	1	1	1	0	0	0	
171	7202-05058	Shim (t=0.02)	-	-	-	-	0	0	0	
172	7202-05059	Shim (t=0.03)	-	-	-	-	0	0	0	
173	7202-05060	Shim (t=0.05)	-	-	-	-	0	0	0	
174	117-380	Screw	2	2	2	2	0	0	0	
175	7202-05073	Shim (t=0.05)	-	-	-	-	-	-	-	
176	7202-05074	Shim (t=0.1)	-	-	-	-	-	-	-	
177	7202-05077	Shim (t=0.2)	-	-	-	-	-	-	-	



(C 248)

INDEX No.	Parts No.	Description (Remarks)	Unit Per Assy							
			C48	C48L	C48SF	-SF C48L	C248E	C248L	-SF C248E	-SF C248L
01	7202-14025	Drive Velt	0	0	0	0	3	3	3	3
02	7202-14013	Pulley	0	0	0	0	1	1	1	1
03	101-466	Screw	0	0	0	0	4	4	4	4
04	180-108	Lock Washer	0	0	0	0	8	8	8	8
05	7202-14020	Flange	0	0	0	0	1	1	1	1
06	7202-14026	Spacer	0	0	0	0	1	1	1	1
07	7202-14021	Bearing Retainer	0	0	0	0	1	1	1	1
08	254-105	Bearing (Brg. ET30205)	0	0	0	0	2	2	2	2
09	7202-14019	Spacer	0	0	0	0	1	1	1	1
10	101-470	Screw	0	0	0	0	4	4	4	4
11	7202-14014	Bracket	0	0	0	0	1	1	1	1
12	7202-14022	Spacer	0	0	0	0	1	1	1	1
13	7202-14015	Herical Gear	0	0	0	0	1	1	1	1
14	188-075	Key	0	0	0	0	1	1	1	1
15	7202-14011	Main Drive Shaft	0	0	0	0	1	1	1	1
16	188-074	Key	0	0	0	0	1	1	1	1
17	181-020	C-Ring	0	0	0	0	1	1	1	1
18	250-204.6	Bearing (Brg. 6204ZZ)	0	0	0	0	2	2	2	2
19	181-247	C-Ring	0	0	0	0	1	1	1	1
20	7202-14017	Roller	0	0	0	0	1	1	1	1
21	7202-14016	Shaft	0	0	0	0	1	1	1	1
22	101-565	Screw	0	0	0	0	6	6	6	6
23	180-110	Lock Washer	0	0	0	0	6	6	6	6
24	184-110	Flat Washer	0	0	0	0	2	2	2	2
25	7202-14018	Bracket	0	0	0	0	1	1	1	1
26	180-112	Lock Washer	0	0	0	0	1	1	1	1
27	170-112	Nut	0	0	0	0	1	1	1	1
28	7202-14012	Moter Pulley	0	0	0	0	1	1	1	1
29	145-458	Set Screw	0	0	0	0	1	1	1	1
30	188-074	Key	0	0	0	0	1	1	1	1
31	E01-100-3	Drive Motor (200V)	0	0	0	0	1	1	1	1
32	E01-125-3	Drive Motor (380V, 415V)	0	0	0	0	1	1	1	1
33	7202-14024	U-Nut	0	0	0	0	1	1	1	1
34	7202-14018A	Bracket Assy	0	0	0	0	1	1	1	1
35	E01-100-3A	Drive Motor Assy (200V)	0	0	0	0	1	1	1	1
36	E01-125-3A	Drive Motor Assy (380V, 415V)	0	0	0	0	1	1	1	1
37	7205-02001	Cover	0	0	0	0	1	1	1	1
38	180-105	Lock Washer	0	0	0	0	5	5	5	5
39	117-510	Screw	0	0	0	0	3	3	3	3
40	E10-29-3	Safety Switch	0	0	0	0	1	1	1	1
41	5203-09057	Pin	0	0	0	0	2	2	2	2
42	5805-02049	Knob	0	0	0	0	1	1	1	1
43	145-506	Set Screw	0	0	0	0	1	1	1	1
44	7205-02039	Cover	0	0	0	0	1	1	1	1
45	181-406	E-Ring	0	0	0	0	1	1	1	1
46	7205-02035	Bracket	0	0	0	0	1	1	1	1
47	7205-02035A	Safety Switch Bracket Assy	0	0	0	0	1	1	1	1
48	117-515	Screw	0	0	0	0	2	2	2	2
49	7201-02002	Bracket	0	0	0	0	1	1	1	1
50	180-106	Lock Washer	0	0	0	0	7	7	7	7
51	117-368	Screw	0	0	0	0	4	4	4	4
52	250-004.6	Bearing	0	0	0	0	2	2	2	2
53	7201-02010	Spacer	0	0	0	0	1	1	1	1
54	7201-02001	Pully	0	0	0	0	1	1	1	1
55	181-415	E-Ring	0	0	0	0	1	1	1	1
56	A17-22-3	Spacer	0	0	0	0	3	3	3	3
57	125-762	Screw	0	0	0	0	3	3	3	3
58	7201-02009	V-Belt (M-43)	0	0	0	0	1	1	1	1
59	7201-02011	Washer	0	0	0	0	1	1	1	1
60	117-388	Screw	0	0	0	0	3	3	3	3
61	7201-02006	Bracket	0	0	0	0	1	1	1	1
62	CM05-48	Roller	0	0	0	0	1	1	1	1
63	250-201.6	Bearing	0	0	0	0	1	1	1	1
64	181-012	C-Ring	0	0	0	0	1	1	1	1
65	181-232	C-Ring	0	0	0	0	1	1	1	1
66	117-518	Screw	0	0	0	0	3	3	3	3
67	7201-02004	Pully	0	0	0	0	1	1	1	1

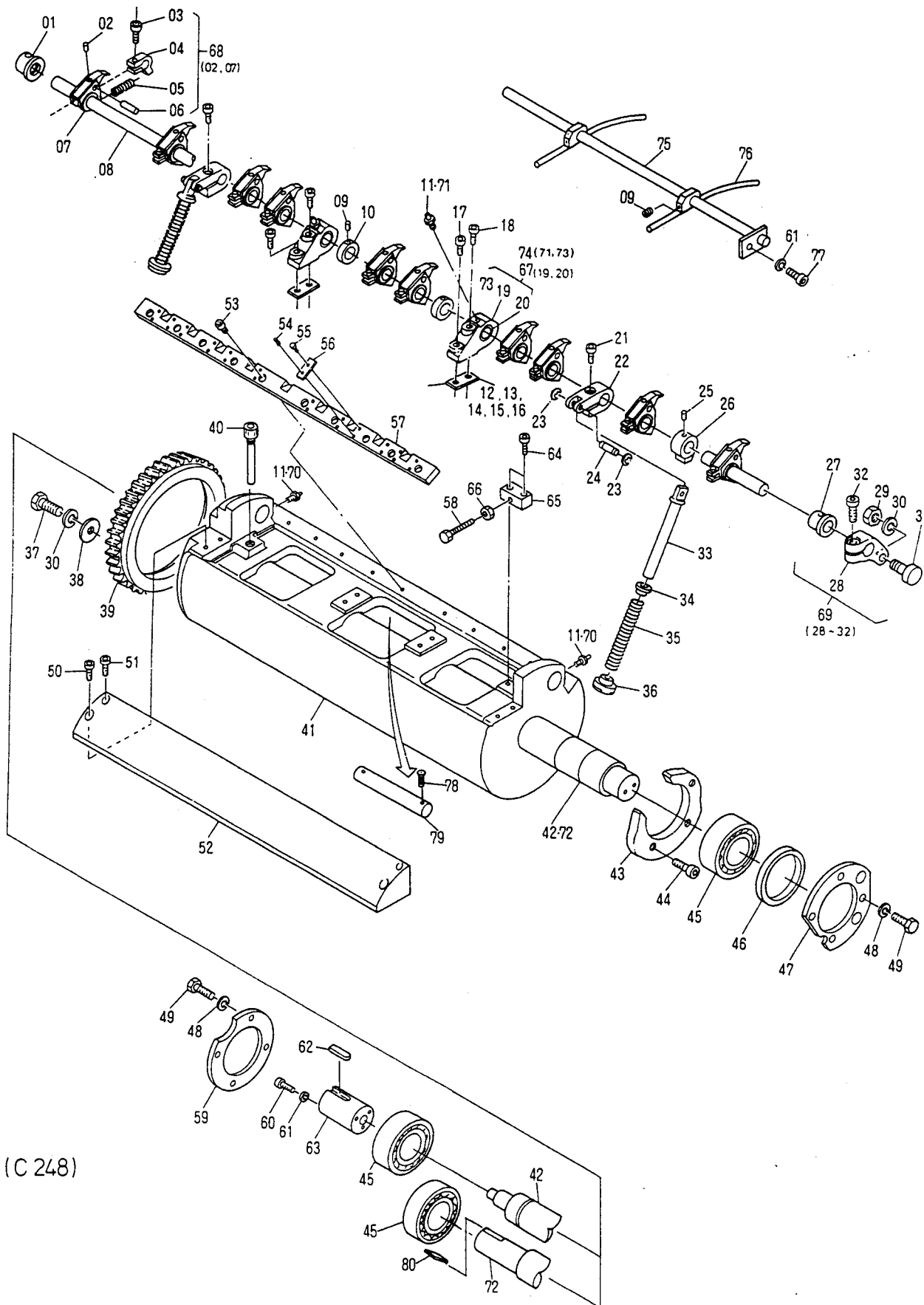


NOP-Side

(C48)

INDEX No.	Parts No.	Description (Remarks)	Unit Per Assy							
			C48	C48L	C48SF	-SF C48L	C248E	C248L	-SF C248E	-SF C248L
01	7202-14005	Drive Velt	1	1	1	1	0	0	0	0
02	7202-14024	U-Nut	1	1	1	1	0	0	0	0
03	7202-14003	Pulley	1	1	1	1	0	0	0	0
04	101-466	Screw	4	4	4	4	0	0	0	0
05	180-108	Lock Washer	11	11	11	11	0	0	0	0
06	7202-14006	Flange	1	1	1	1	0	0	0	0
07	250-205.6	Bearing (BRG. 6205ZZ)	2	2	2	2	0	0	0	0
08	7202-14009	Spacer	1	1	1	1	0	0	0	0
09	7202-14027	Bearing (BRG. 3205)	1	1	1	1	0	0	0	0
10	101-470	Screw	4	4	4	4	0	0	0	0
11	7202-14014	Bracket	1	1	1	1	0	0	0	0
12	7202-14008	Spacer	1	1	1	1	0	0	0	0
13	7202-14004	Gear	1	1	1	1	0	0	0	0
14	188-070	Key	1	1	1	1	0	0	0	0
15	7202-14001	Main Drive Shaft	1	1	1	1	0	0	0	0
16	101-475	Screw	2	2	2	2	0	0	0	0
17	184-108	Flat Washer	2	2	2	2	0	0	0	0
18	7202-14007	Bracket	1	1	1	1	0	0	0	0
19	181-232	C-Ring	1	1	1	1	0	0	0	0
20	181-012	C-Ring	1	1	1	1	0	0	0	0
21	250-201.6	Bearing (BRG. 6201ZZ)	1	1	1	1	0	0	0	0
22	CM05-48	Roller	1	1	1	1	0	0	0	0
23	CM05-59	Shaft	1	1	1	1	0	0	0	0
24	170-108	Nut	1	1	1	1	0	0	0	0
25	145-458	Set Screw	1	1	1	1	0	0	0	0
26	7202-14002	Motor Pulley	1	1	1	1	0	0	0	0
27	188-075	Key	1	1	1	1	0	0	0	0
28	E01-74-3	Drive Motor (200V)	1	1	1	1	0	0	0	0
29	E01-126-3	Drive Motor (380V, 415V)	1	1	1	1	0	0	0	0
30	101-565	Screw	4	4	4	4	0	0	0	0
31	180-110	Lock Washer	4	4	4	4	0	0	0	0
32	7202-14007A	Bracket Assy (5, 18-24)	1	1	1	1	0	0	0	0
33	E01-74-3A	Drive Motor Assy (200V) (25-28)	1	1	1	1	0	0	0	0
34	E01-126-3A	Drive Motor Assy (380V, 415V) (25-27, 29)	1	1	1	1	0	0	0	0
35	188-074	Key	1	1	1	1	0	0	0	0
36	7205-02001	Cover	1	1	1	1	0	0	0	0
37	180-105	Lock Washer	5	5	5	5	0	0	0	0
38	117-510	Screw	3	3	3	3	0	0	0	0
39	E10-29-3	Safety Switch	1	1	1	1	0	0	0	0
40	5203-09057	Pin	2	2	2	2	0	0	0	0
41	5805-02049	Knob	1	1	1	1	0	0	0	0
42	145-506	Set Screw	1	1	1	1	0	0	0	0
43	7205-02039	Cover	1	1	1	1	0	0	0	0
44	181-406	E-Ring	1	1	1	1	0	0	0	0
45	7205-02035	Bracket	1	1	1	1	0	0	0	0
46	7205-02035A	Safety Switch Bracket Assy (39-45)	1	1	1	1	0	0	0	0
47	117-515	Screw	2	2	2	2	0	0	0	0
48	181-025	C-Ring	1	1	1	1	0	0	0	0
49	7201-02002	Bracket	1	1	1	1	0	0	0	0
50	180-106	Lock Washer	7	7	7	7	0	0	0	0
51	117-368	Screw	4	4	4	4	0	0	0	0
52	250-004.6	Bearing	2	2	2	2	0	0	0	0
53	7201-02010	Spacer	1	1	1	1	0	0	0	0
54	7201-02001	Pulley	1	1	1	1	0	0	0	0
55	181-415	E-Ring	1	1	1	1	0	0	0	0
56	A17-22-3	Spacer	3	3	3	3	0	0	0	0
57	125-762	Screw	3	3	3	3	0	0	0	0
58	7201-02015	V-Belt (M-50)	1	1	1	1	0	0	0	0
59	7201-02004	Pulley	1	1	1	1	0	0	0	0
60	7201-02011	Washer	1	1	1	1	0	0	0	0
61	117-388	Screw	3	3	3	3	0	0	0	0
62	7201-02006	Bracket	1	1	1	1	0	0	0	0
63	117-518	Screw	3	3	3	3	0	0	0	0

T1025

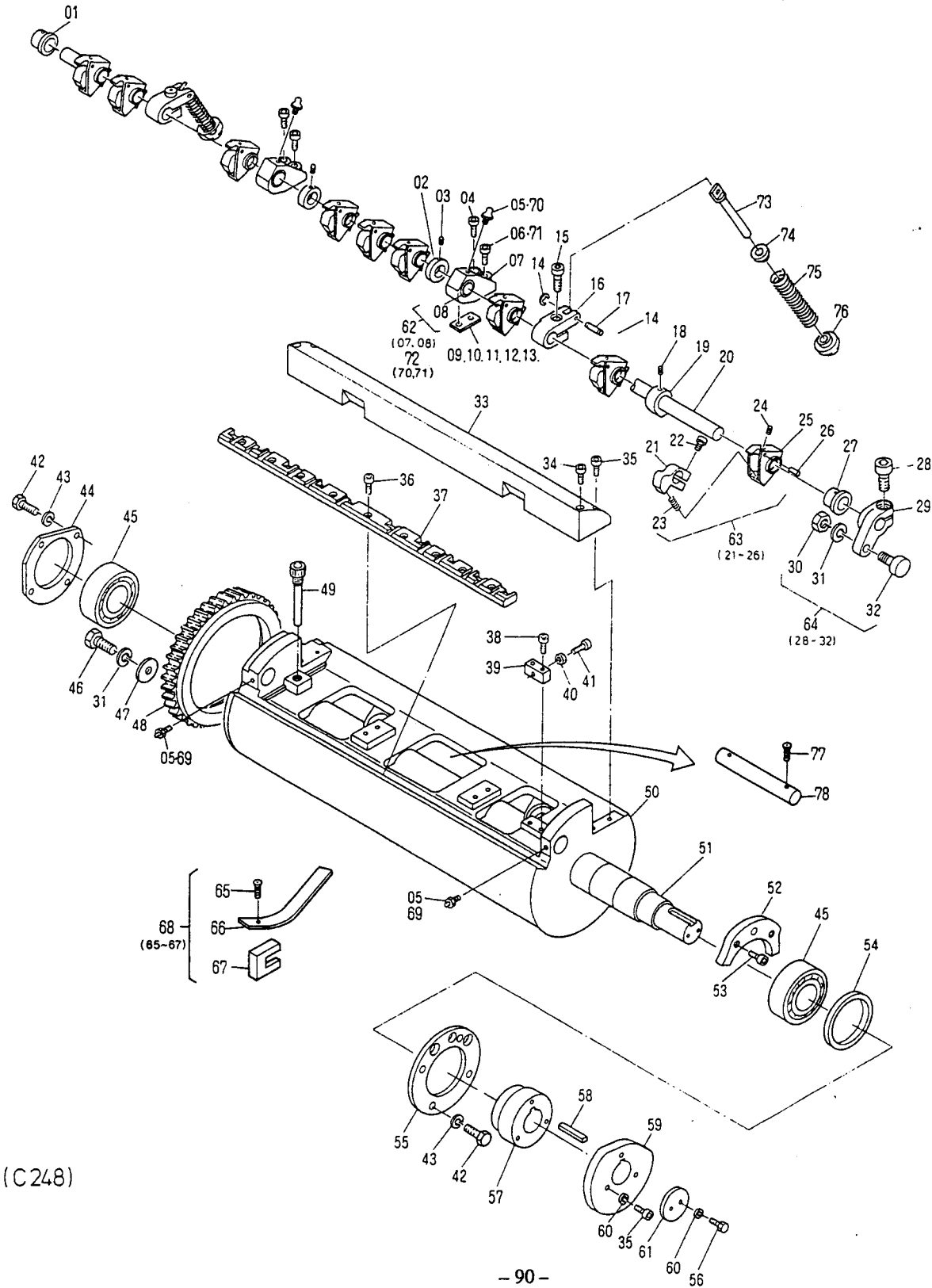


(C 248)

No. 1 Transfer Cylinder (C248)

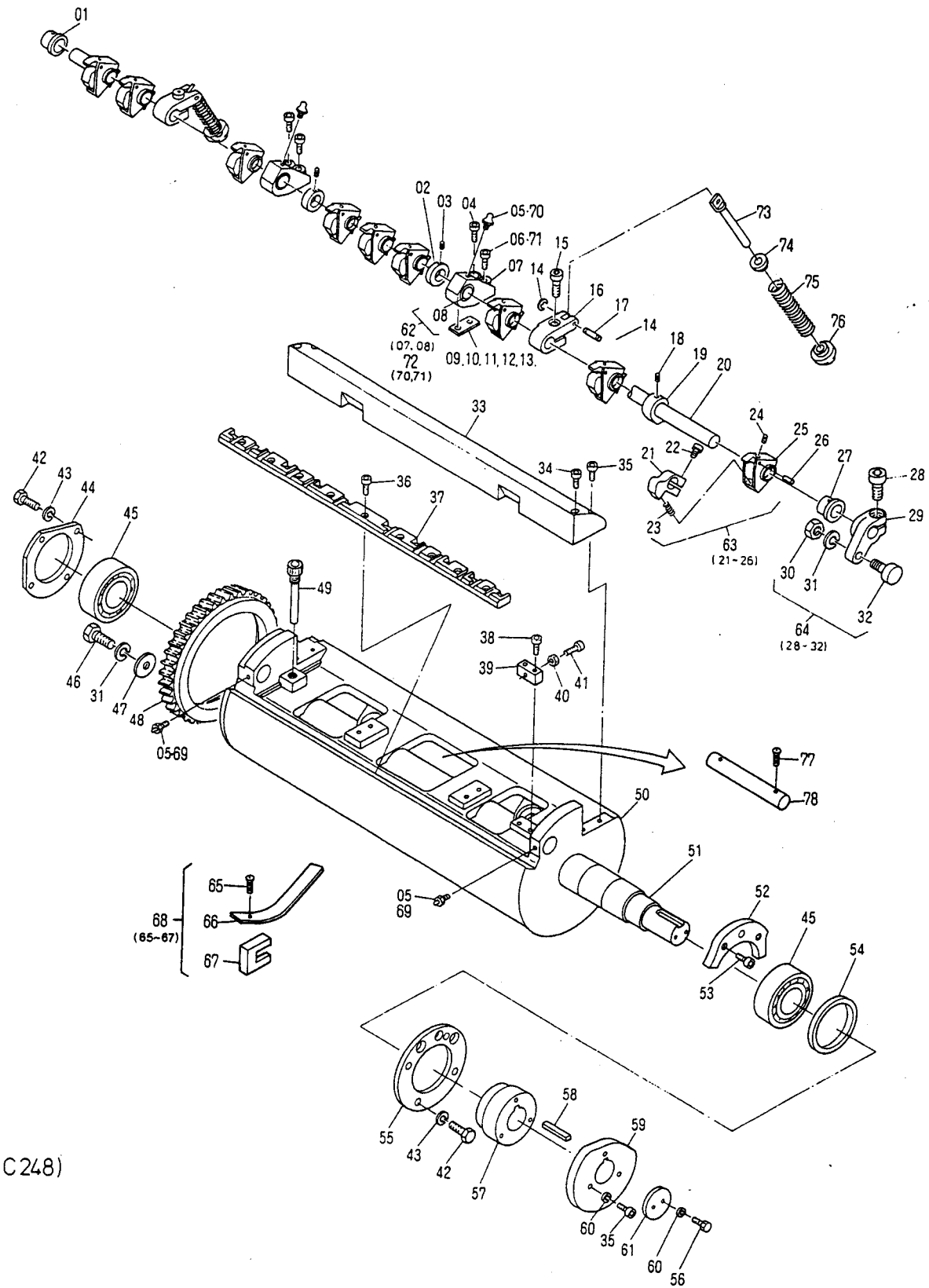
T1025 (1)

INDEX No.	Parts No.	Description (Remarks)	Unit Per Assy							
			C48	C48L	C48SF	-SF C48L	C248E	C248L	-SF C248E	-SF C248L
01	7202-20004	Gripper Shaft Bushing	0	0	0	0	1	1	1	1
02	140-262	Set Screw	0	0	0	0	10	10	10	10
03	117-372	Screw	0	0	0	0	10	10	10	10
04	5802-20017	Gripper Finger Bracket	0	0	0	0	10	10	10	10
05	5802-20018	Spring	0	0	0	0	10	10	10	10
06	5802-20017	Pin	0	0	0	0	10	10	10	10
07	7202-20031	Gripper Finger	0	0	0	0	10	10	10	10
08	7202-20009	Gripper Shaft	0	0	0	0	1	1	1	1
09	145-506	Set Screw	0	0	0	0	2	2	2	2
10	7202-20014	Collar	0	0	0	0	2	2	2	2
11	323-100	Grease Nipple	0	0	0	0	4	4	4	4
12	7202-20023	Shim	0	0	0	0	-	-	-	-
13	7202-20024	Shim	0	0	0	0	-	-	-	-
14	7202-20025	Shim	0	0	0	0	-	-	-	-
15	7202-20026	Shim	0	0	0	0	-	-	-	-
16	5802-20027B	Shim	0	0	0	0	-	-	-	-
17	117-380	Screw	0	0	0	0	2	2	2	2
18	117-382	Screw	0	0	0	0	2	2	2	2
19	7202-20016	Bracket	0	0	0	0	2	2	2	2
20	7202-20053	Bushing	0	0	0	0	2	2	2	2
21	117-475	Screw	0	0	0	0	2	2	2	2
22	7202-20010	Bracket	0	0	0	0	2	2	2	2
23	181-404	E-Ring	0	0	0	0	4	4	4	4
24	7202-20015	Pin	0	0	0	0	2	2	2	2
25	145-356	Set Screw	0	0	0	0	1	1	1	1
26	5802-20021	Lever	0	0	0	0	1	1	1	1
27	7202-20005	Gripper Shaft Bushing	0	0	0	0	1	1	1	1
28	7202-12020	Operating Arm	0	0	0	0	1	1	1	1
29	170-110	Nut	0	0	0	0	1	1	1	1
30	180-110	Lock Washer	0	0	0	0	4	4	4	4
31	258-652.2	Cam Follower (KR2266)	0	0	0	0	1	1	1	1
32	117-565	Screw	0	0	0	0	1	1	1	1
33	7202-20013	Shaft	0	0	0	0	2	2	2	2
34	7202-20012	Spacer	0	0	0	0	2	2	2	2
35	7202-20007	Spring	0	0	0	0	2	2	2	2
36	7202-20011	Spacer	0	0	0	0	2	2	2	2
37	101-565T	Screw	0	0	0	0	3	3	3	3
38	7202-02007	Washer	0	0	0	0	1	1	1	1
39	7202-12005	Gear	0	0	0	0	1	1	1	1
40	7202-12012	Screw	0	0	0	0	1	1	1	1
41	7202-12001	Transfer Cylinder	0	0	0	0	1	1	1	1
42	7202-12003	Transfer Cylinder Shaft	0	0	0	0	1	1	1	1
43	7202-12022	Cam	0	0	0	0	1	1	1	1
44	117-482	Screw	0	0	0	0	3	3	3	3
45	7202-12014	Bearing (Brg. 5207ZZ)	0	0	0	0	2	2	2	2
46	7202-12010	Spacer	0	0	0	0	1	1	1	1
47	7202-12028	Flange	0	0	0	0	1	1	1	1
48	180-108	Lock Washer	0	0	0	0	8	8	8	8
49	101-470	Screw	0	0	0	0	8	8	8	8
50	117-370	Screw	0	0	0	0	2	2	2	2
51	117-381	Screw	0	0	0	0	2	2	2	2
52	7202-12017	Weight	0	0	0	0	1	1	1	1
53	117-512	Screw	0	0	0	0	10	10	10	10
54	183-179	Roll Pin	0	0	0	0	12	12	12	12
55	125-685	Screw	0	0	0	0	12	12	12	12
56	7202-12009	Stopper	0	0	0	0	12	12	12	12
57	7202-12007	Anvil	0	0	0	0	1	1	1	1
58	7202-20065	Screw	0	0	0	0	1	1	1	1
59	7202-12030	Flange	0	0	0	0	1	1	1	1
60	117-387	Screw	0	0	0	0	3	3	3	3
61	180-106	Lock Washer	0	0	0	0	3	3	3	3
62	188-076	Key	0	0	0	0	1	1	1	1
63	7202-12016	Shaft	0	0	0	0	1	1	1	1
64	117-375	Screw	0	0	0	0	2	2	2	2
65	7202-20019	Bracket	0	0	0	0	1	1	1	1
66	170-106	Nut	0	0	0	0	1	1	1	1
67	7202-20016A	Bracket Assy	0	0	0	0	2	2	2	2
68	7202-20031A	Gripper Finger Assy	0	0	0	0	10	10	10	10
69	7202-12020A	Operating Arm Assy	0	0	0	0	1	1	1	1
70	7202-20066	Grease Nipple	0	0	0	0	2	2	2	2



(C248)

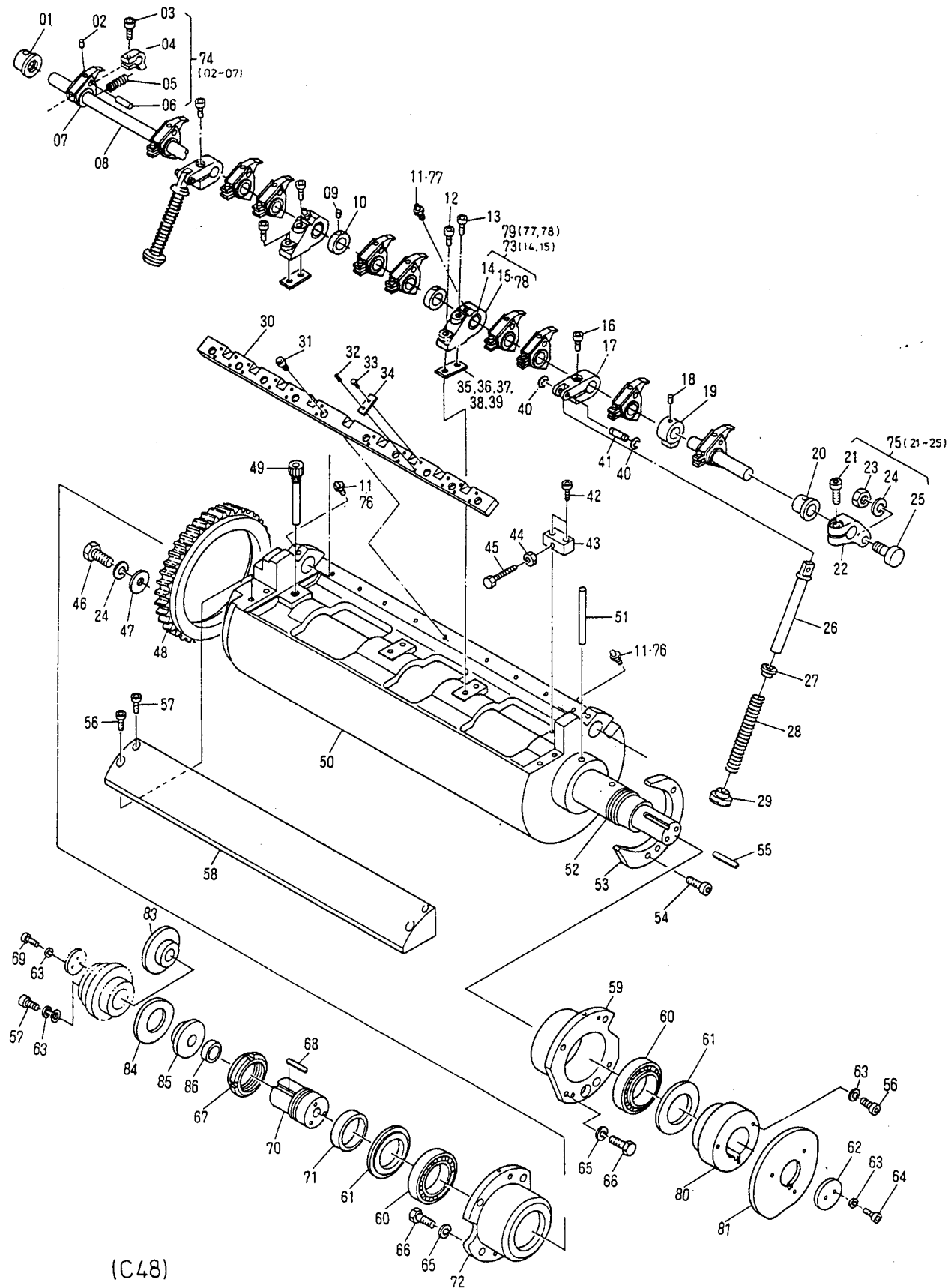
INDEX No.	Parts No.	Description (Remarks)	Unit Per Assy							
			C48	C48L	C48SF	-SF C48L	C248E	C248L	-SF C248E	-SF C248L
01	7202-20004	Gripper Shaft Bushing	0	0	0	0	1	1	1	1
02	7202-20014	Collar	0	0	0	0	2	2	2	2
03	145-506	Set Screw	0	0	0	0	2	2	2	2
04	117-382	Screw	0	0	0	0	2	2	2	2
05	323-100	Grease Nipple OLD	0	0	0	0	3	3	3	3
06	117-380	Screw	0	0	0	0	2	2	2	2
07	7202-20016	Bracket OLD	0	0	0	0	2	2	2	2
08	7202-20053	Bushing OLD	0	0	0	0	2	2	2	2
09	7202-20023	Shim t = 0.04	0	0	0	0	-	-	-	-
10	7202-20024	Shim t = 0.03	0	0	0	0	-	-	-	-
11	7202-20025	Shim t = 0.05	0	0	0	0	-	-	-	-
12	7202-20026	Shim t = 0.1	0	0	0	0	-	-	-	-
13	5802-20027B	Shim t = 0.04	0	0	0	0	-	-	-	-
14	181-404	E-Ring	0	0	0	0	4	4	4	4
15	117-475	Screw	0	0	0	0	2	2	2	2
16	7202-20010	Bracket	0	0	0	0	2	2	2	2
17	7202-20015	Pin	0	0	0	0	2	2	2	2
18	145-356	Set Screw	0	0	0	0	1	1	1	1
19	5802-20021	Lever	0	0	0	0	1	1	1	1
20	7202-12019	Gripper Shaft	0	0	0	0	1	1	1	1
21	5802-20017	Gripper Finger Bracket	0	0	0	0	9	9	9	9
22	117-372	Screw	0	0	0	0	9	9	9	9
23	5802-20018	Spring	0	0	0	0	9	9	9	9
24	140-262	Set Screw	0	0	0	0	9	9	9	9
25	7202-20031	Gripper Finger	0	0	0	0	9	9	9	9
26	5802-20019	Pin	0	0	0	0	9	9	9	9
27	7202-20005	Gripper Shift Bushing	0	0	0	0	1	1	1	1
28	117-565	Screw	0	0	0	0	1	1	1	1
29	7202-12021	Operating Arm	0	0	0	0	1	1	1	1
30	170-110	Nut	0	0	0	0	1	1	1	1
31	180-110	Lock Washer	0	0	0	0	4	4	4	4
32	258-652.2	Cam Follower (KR22LL.)	0	0	0	0	1	1	1	1
33	7202-12018	Weight	0	0	0	0	1	1	1	1
34	117-381	Screw	0	0	0	0	2	2	2	2
35	117-370	Screw	0	0	0	0	5	5	5	5
36	117-512	Screw	0	0	0	0	9	9	9	9
37	7202-12008	Anvil	0	0	0	0	1	1	1	1
38	117-375	Screw	0	0	0	0	2	2	2	2
39	7202-20019	Bracket	0	0	0	0	1	1	1	1
40	170-106	Nut	0	0	0	0	1	1	1	1
41	7202-20065	Screw	0	0	0	0	1	1	1	1
42	101-470	Screw	0	0	0	0	8	8	8	8
43	180-108	Lock Washer	0	0	0	0	8	8	8	8
44	7202-12029	Flange	0	0	0	0	1	1	1	1
45	7202-12014	Bearing (Brg. 5207ZZ)	0	0	0	0	2	2	2	2
46	101-565T	Screw	0	0	0	0	3	3	3	3
47	7202-02007	Washer	0	0	0	0	3	3	3	3
48	7202-12006	Gear	0	0	0	0	1	1	1	1
49	7202-12012	Screw	0	0	0	0	1	1	1	1
50	7202-12002	Transfer Cylinder	0	0	0	0	1	1	1	1
51	7202-12027	Transfer Cylinder Shaft	0	0	0	0	1	1	1	1
52	7202-12023	Cam	0	0	0	0	1	1	1	1
53	117-482	Screw	0	0	0	0	2	2	2	2
54	7202-12010	Spacer	0	0	0	0	1	1	1	1
55	7202-12015	Flange	0	0	0	0	1	1	1	1
56	121-366	Screw	0	0	0	0	2	2	2	2
57	7202-10150	Bracket	0	0	0	0	1	1	1	1
58	188-076	Key	0	0	0	0	1	1	1	1
59	7202-10147	Cam	0	0	0	0	1	1	1	1
60	180-106	Lock Washer	0	0	0	0	5	5	5	5
61	184-221	Washer	0	0	0	0	1	1	1	1
62	7202-20016A	Bracket Assy (7, 8)	0	0	0	0	2	2	2	2
63	7202-20031A	Gripper Finger Assy (21-26)	0	0	0	0	9	9	9	9
64	7202-12021A	Operating Arm Assy (28-32)	0	0	0	0	1	1	1	1
65	122-108.01	Screw	0	0	0	0	8	8	8	8
66	7202-12026	Paper Guide	0	0	0	0	4	4	4	4
67	7202-12031	Block	0	0	0	0	4	4	4	4
68	7202-12031A	Paper Guide Assy (65-67)	0	0	0	0	4	4	4	4
69	7202-20066	Grease Nipple	0	0	0	0	2	2	2	2
70	323-101	Grease Nipple	0	0	0	0	2	2	2	2



(C248)

INDEX No.	Parts No.	Description (Remarks)	Unit Per Assy							
			C48	C48L	C48SF	-SF C48L	C248E	C248L	-SF C248E	-SF C248L
71	7202-20067	Bracket	0	0	0	0	2	2	2	2
72	7202-20067A	Bracket Assy (70, 71)	0	0	0	0	2	2	2	2
73	7202-20013	Shaft	0	0	0	0	2	2	2	2
74	7202-20012	Spacer	0	0	0	0	2	2	2	2
75	7202-20007	Spring	0	0	0	0	2	2	2	2
76	7202-20011	Spacer	0	0	0	0	2	2	2	2
77	122-132	Screw	0	0	0	0	2	2	2	2
78	7202-12032	Weight	0	0	0	0	1	1	1	1

T1027



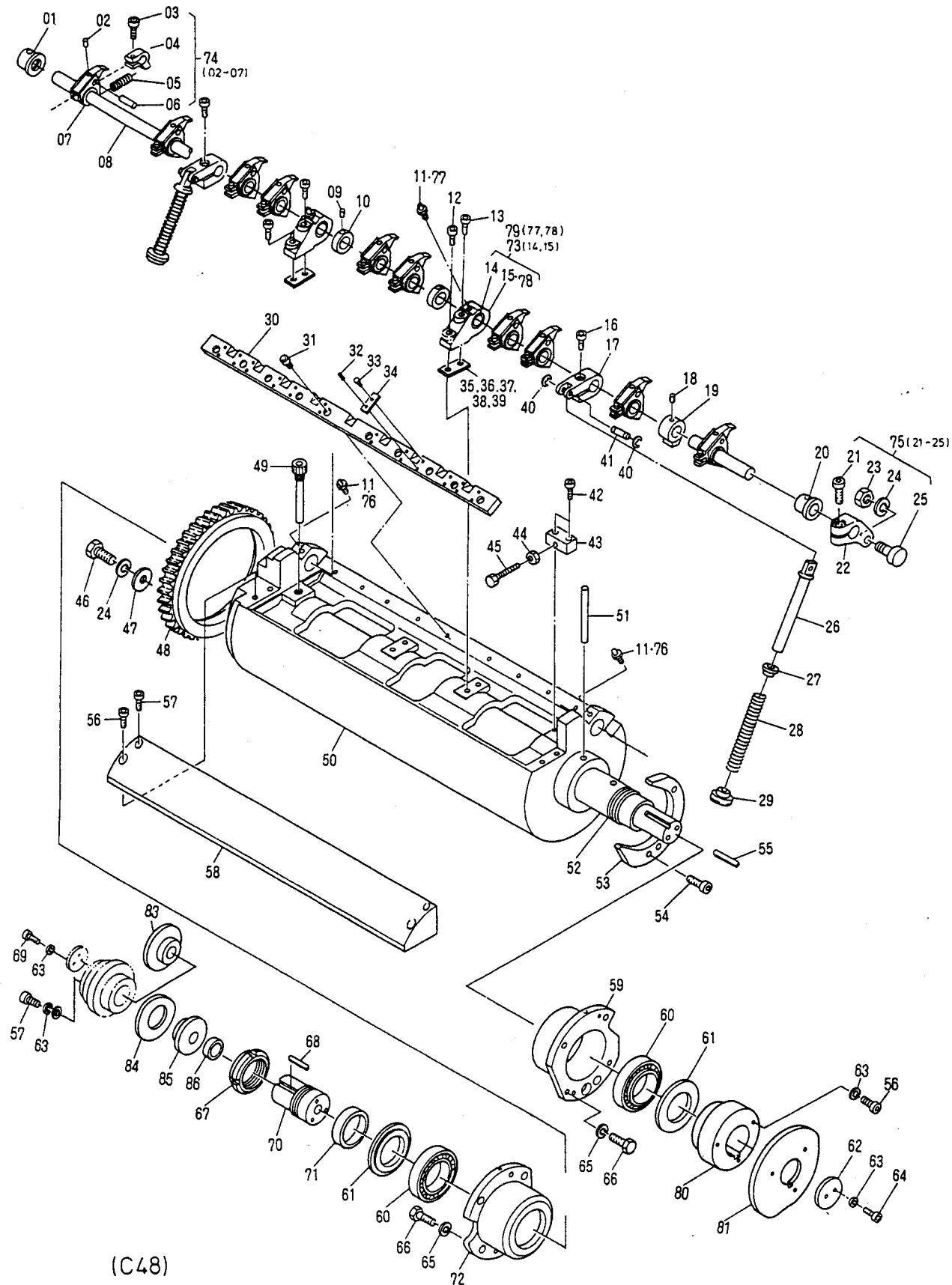
(C48)

Impression Cylinder (C48)

T1027 (1)

INDEX No.	Parts No.	Description (Remarks)	Unit Per Assy							
			C48	C48L	C48SF	-SF C48L	C248E	C248L	-SF C248E	-SF C248L
01	7202-20004	Gripper Shaft Bushing	1	1	1	1	0	0	0	0
02	140-262	Set Screw	10	10	10	10	0	0	0	0
03	117-372	Screw	10	10	10	10	0	0	0	0
04	5802-20017	Gripper Finger Bracket	10	10	10	10	0	0	0	0
05	5802-20018	Spring	10	10	10	10	0	0	0	0
06	5802-20019	Pin	10	10	10	10	0	0	0	0
07	7202-20031	Gripper Finger	10	10	10	10	0	0	0	0
08	7202-20009	Gripper Shaft	1	1	1	1	0	0	0	0
09	145-506	Set Screw	2	2	2	2	0	0	0	0
10	7202-20014	Collar	2	2	2	2	0	0	0	0
11	323-100	Grease Nipple (OLD)	3	3	3	3	0	0	0	0
12	117-380	Screw	2	2	2	2	0	0	0	0
13	117-382	Screw	2	2	2	2	0	0	0	0
14	7202-20053	Bushing OLD	2	2	2	2	0	0	0	0
15	7202-20016	Bracket OLD	2	2	2	2	0	0	0	0
16	117-475	Screw	2	2	2	2	0	0	0	0
17	7202-20010	Bracket	2	2	2	2	0	0	0	0
18	145-356	Set Screw	1	1	1	1	0	0	0	0
19	5802-20021	Lever	1	1	1	1	0	0	0	0
20	7202-20005	Gripper Shaft Bushing	1	1	1	1	0	0	0	0
21	117-565	Screw	1	1	1	1	0	0	0	0
22	7202-12020	Operating Arm	1	1	1	1	0	0	0	0
23	170-110	Nut	1	1	1	1	0	0	0	0
24	180-110	Lock Washer	4	4	4	4	0	0	0	0
25	258-652.2	Cam Follower	1	1	1	1	0	0	0	0
26	7202-20013	Shaft	2	2	2	2	0	0	0	0
27	7202-20012	Spacer	2	2	2	2	0	0	0	0
28	7202-20007	Spring	2	2	2	2	0	0	0	0
29	7202-20011	Spacer	2	2	2	2	0	0	0	0
30	7202-12007	Anvil	1	1	1	1	0	0	0	0
31	117-512	Screw	10	10	10	10	0	0	0	0
32	183-179	Roll Pin	12	12	12	12	0	0	0	0
33	125-685	Screw	12	12	12	12	0	0	0	0
34	7202-12009	Stopper	12	12	12	12	0	0	0	0
35	7202-20023	Shim t = 0.02	-	-	-	-	0	0	0	0
36	7202-20024	Shim t = 0.03	-	-	-	-	0	0	0	0
37	7202-20025	Shim t = 0.05	-	-	-	-	0	0	0	0
38	7202-20026	Shim t = 0.1	-	-	-	-	0	0	0	0
39	5802-20027B	Shim t = 0.04	-	-	-	-	0	0	0	0
40	181-404	E-Ring	4	4	4	4	0	0	0	0
41	7202-20015	Pin	2	2	2	2	0	0	0	0
42	117-375	Screw	2	2	2	2	0	0	0	0
43	7202-20019	Bracket	1	1	1	1	0	0	0	0
44	170-106	Nut	1	1	1	1	0	0	0	0
45	7202-20065	Screw	1	1	1	1	0	0	0	0
46	101-565T	Screw	3	3	3	3	0	0	0	0
47	7202-02007	Washer	3	3	3	3	0	0	0	0
48	7202-12005	Gear	1	1	1	1	0	0	0	0
49	7202-02012	Screw	1	1	1	1	0	0	0	0
50	7202-02001	Impression Cylinder	1	1	1	1	0	0	0	0
51	IT-7-65	Taper Pin (OLD)	1	1	1	1	0	0	0	0
52	7202-02002	Impression Cylinder Shaft	1	1	1	1	0	0	0	0
53	7202-02011	Cam	1	1	1	1	0	0	0	0
54	117-482	Screw	2	2	2	2	0	0	0	0
55	188-076	Key	1	1	1	1	0	0	0	0
56	117-370	Screw	2	2	2	2	0	0	0	0
57	117-381	Screw	2	2	2	2	0	0	0	0
58	7202-12017	Weight	1	1	1	1	0	0	0	0
59	7202-02003	Bushing	1	1	1	1	0	0	0	0
60	7202-02009	Bearing (Brg. 32008X)	2	2	2	2	0	0	0	0
61	7202-02008	Flange	1	1	1	1	0	0	0	0
62	184-221	Flat Washer	1	1	1	1	0	0	0	0
63	180-106	Lock Washer	5	5	5	5	0	0	0	0
64	117-365	Screw	2	2	2	2	0	0	0	0
65	180-108	Lock Washer	8	8	8	8	0	0	0	0
66	101-475T	Screw	8	8	8	8	0	0	0	0
67	7202-02006	O-Nut	1	1	1	1	0	0	0	0
68	188-074	Key	1	1	1	1	0	0	0	0
69	117-388	Screw	3	3	3	3	0	0	0	0
70	7202-02005	Shaft	1	1	1	1	0	0	0	0

T1027

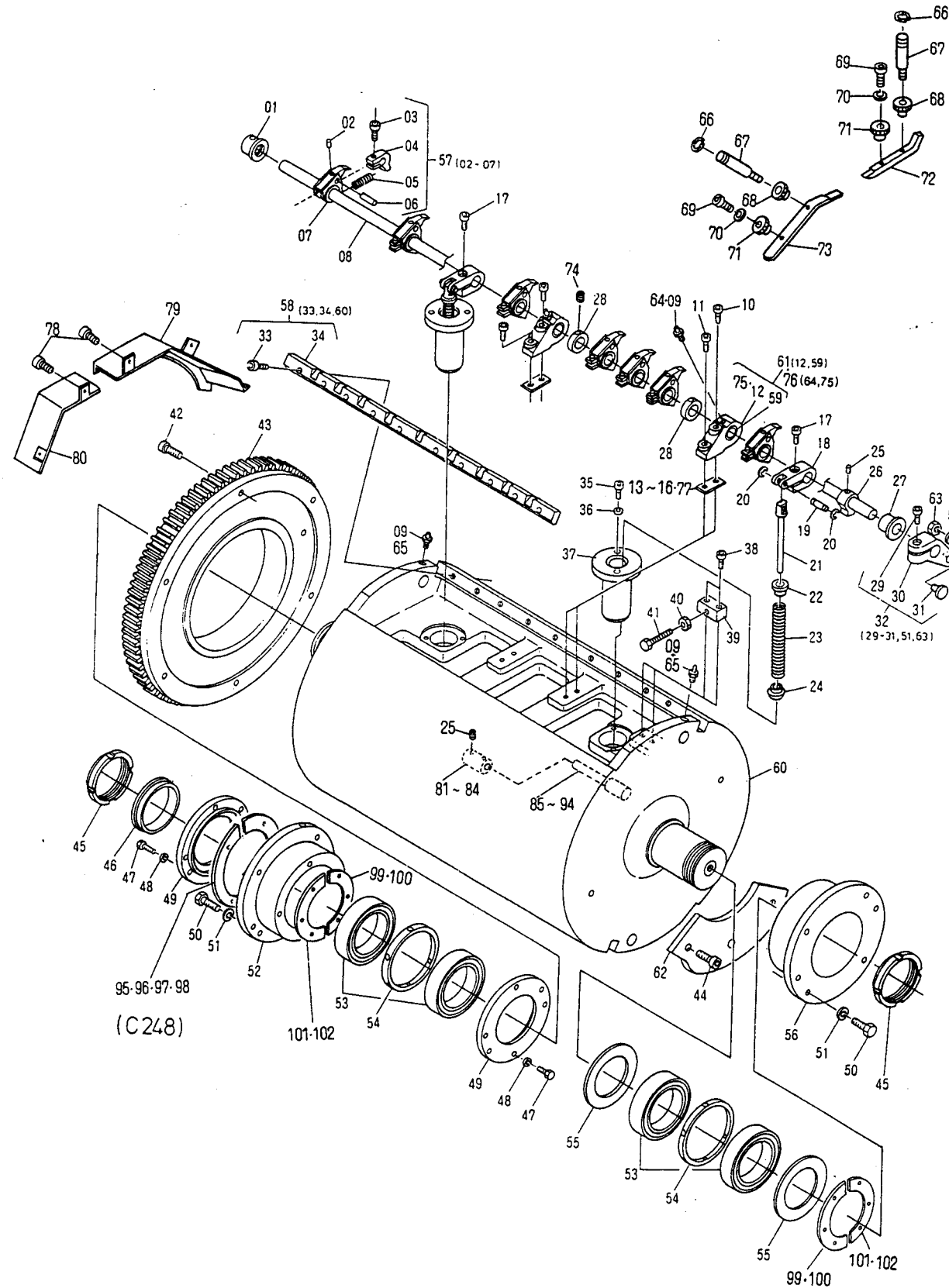


(C48)

Impression Cylinder (C48)

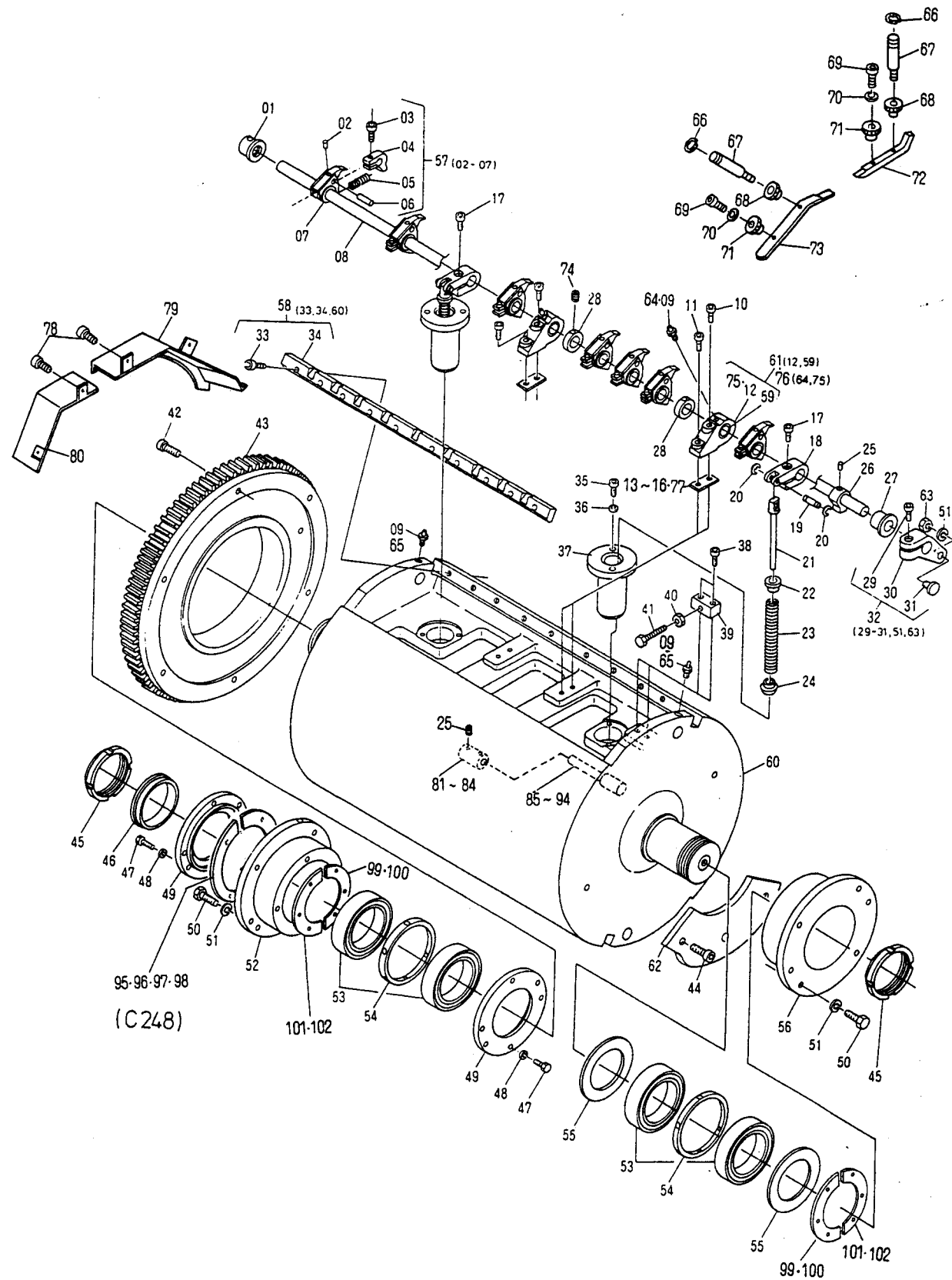
T1027 (2)

INDEX No.	Parts No.	Description (Remarks)	Unit Per Assy							
			C48	C48L	C48SF	-SF C48L	C248E	C248L	-SF C248E	-SF C248L
71	7202-01010	Spacer	1	1	1	1	0	0	0	0
72	7202-02004	Bushing	1	1	1	1	0	0	0	0
73	7202-20067	Bracket Assy (14, 15)	2	2	2	2	0	0	0	0
74	7202-20031A	Gripper Finger Assy (2-7)	10	10	10	10	0	0	0	0
75	7202-12020A	Operating Arm Assy (21-25)	1	1	1	1	0	0	0	0
76	7202-20066	Grease Nipple (NEW)	2	2	2	2	0	0	0	0
77	323-101	Grease Nipple (NEW)	2	2	2	2	0	0	0	0
78	7202-20067	Bracket	2	2	2	2	0	0	0	0
79	7202-20067A	Bracket Assy (77, 78)	2	2	2	2	0	0	0	0
80	7202-10150	Bracket	1	1	1	1	0	0	0	0
81	7202-10148	Cam	1	1	1	1	0	0	0	0
82	184-106	Flat Washer	3	3	3	3	0	0	0	0
83	7202-07025	Retainer	0	0	1	1	0	0	0	0
84	7202-07001	Cam	1	1	1	1	0	0	0	0
85	7202-07002	Fringe	1	1	1	1	0	0	0	0
86	7201-02012	Spacer	1	1	1	1	0	0	0	0

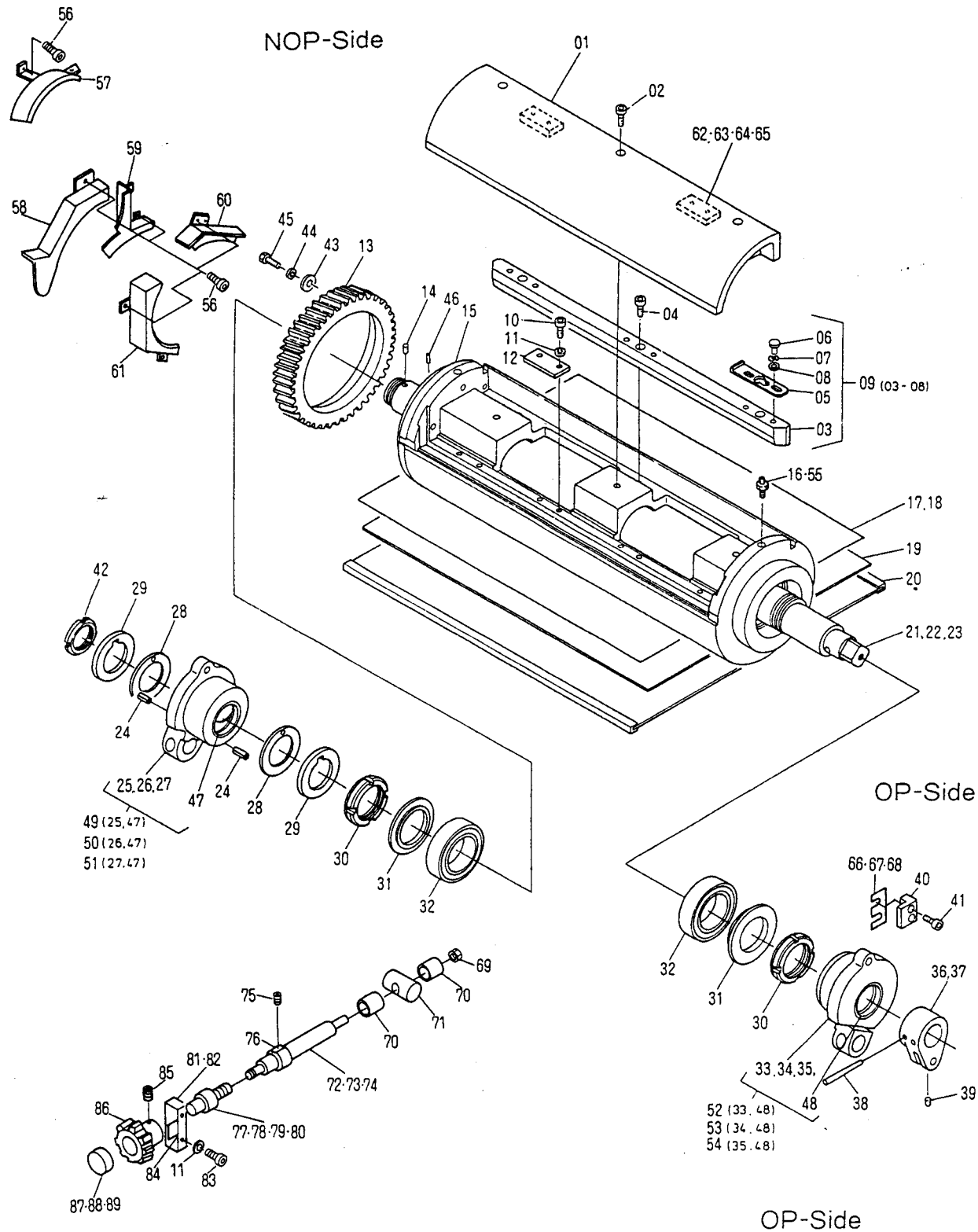


Impression Cylinder (C248)

INDEX No.	Parts No.	Description (Remarks)	Unit Per Assy							
			C48	C48L	C48SF	C48L SF	C248E	C248L	C248E SF	C248L SF
01	7202-20004	Gripper Shaft Bushing	0	0	0	0	2	2	2	2
02	140-262	Set Screw (Included in 57)	0	0	0	0	20	20	20	20
03	117-372	Screw (Included in 57)	0	0	0	0	20	20	20	20
04	5802-20017	Gripper Finger Bracket (Included in 57)	0	0	0	0	20	20	20	20
05	5802-20018	Spring (Included in 57)	0	0	0	0	20	20	20	20
06	5802-20019	Pin (Included in 57)	0	0	0	0	20	20	20	20
07	7202-20031	Gripper Finger (Included in 57)	0	0	0	0	20	20	20	20
08	7202-20009	Gripper Shaft	0	0	0	0	2	2	2	2
09	323-100	Grease Nipple OLD	0	0	0	0	8	8	8	8
10	117-382	Screw	0	0	0	0	4	4	4	4
11	117-380	Screw	0	0	0	0	4	4	4	4
12	7202-20016	Bracket OLD (Included in 61)	0	0	0	0	4	4	4	4
13	7202-20023	Shim t = 0.02	0	0	0	0	-	-	-	-
14	7202-20024	Shim t = 0.03	0	0	0	0	-	-	-	-
15	7202-20025	Shim t = 0.05	0	0	0	0	-	-	-	-
16	7202-20026	Shim t = 0.1	0	0	0	0	-	-	-	-
17	117-475	Screw	0	0	0	0	4	4	4	4
18	7202-20010	Bracket	0	0	0	0	4	4	4	4
19	7202-20015	Pin	0	0	0	0	4	4	4	4
20	181-404	E-Ring	0	0	0	0	8	8	8	8
21	7202-20013	Shaft	0	0	0	0	4	4	4	4
22	7202-20012	Spacer	0	0	0	0	4	4	4	4
23	7202-20007	Spring	0	0	0	0	4	4	4	4
24	7202-20011	Spacer	0	0	0	0	4	4	4	4
25	145-356	Set Screw	0	0	0	0	2	2	2	2
26	5802-20021	Lever	0	0	0	0	2	2	2	2
27	7202-20005	Gripper Shaft Bushing	0	0	0	0	2	2	2	2
28	7202-20014	Collar	0	0	0	0	4	4	4	4
29	117-565	Screw	0	0	0	0	2	2	2	2
30	7202-12020	Operating Arm for Gripper Shaft	0	0	0	0	2	2	2	2
31	258-652.2	Cam Follower (KR22LL)	0	0	0	0	2	2	2	2
32	7202-12020A	Operating Arm Assy (29-31, 51, 63)	0	0	0	0	2	2	2	2
33	117-512	Screw (Included in 58)	0	0	0	0	20	20	20	20
34	7202-20003	Anvil (Included in 58)	0	0	0	0	2	2	2	2
35	117-365	Screw	0	0	0	0	8	8	8	8
36	180-106	Lock Washer	0	0	0	0	8	8	8	8
37	7202-20017	Spring Case	0	0	0	0	4	4	4	4
38	117-375	Screw	0	0	0	0	4	4	4	4
39	7202-20019	Block	0	0	0	0	2	2	2	2
40	170-106	Nut	0	0	0	0	2	2	2	2
41	7202-20065	Screw	0	0	0	0	2	2	2	2
42	117-571	Screw	0	0	0	0	6	6	6	6
43	7202-20002	Gear	0	0	0	0	1	1	1	1
44	117-482	Screw	0	0	0	0	3	3	3	3
45	7202-20020	U-Nut	0	0	0	0	2	2	2	2
46	7202-20030	Spacer	0	0	0	0	1	1	1	1
47	101-472	Screw	0	0	0	0	8	8	8	8
48	180-108	Lock Washer	0	0	0	0	8	8	8	8
49	7202-20028	Flange	0	0	0	0	2	2	2	2
50	101-570	Screw	0	0	0	0	8	8	8	8
51	180-110	Lock Washer	0	0	0	0	8	8	8	8
52	7202-20018	Bushing	0	0	0	0	1	1	1	1
53	7202-20022	Bearing (Brg. 32012XUP5)	0	0	0	0	4	4	4	4
54	7202-20029	Spacer	0	0	0	0	2	2	2	2
55	7202-20006	Oil Seal	0	0	0	0	2	2	2	2
56	7202-20008	Bushing	0	0	0	0	1	1	1	1
57	7202-20031A	Gripper Finger Assy (2-7)	0	0	0	0	20	20	20	20
58	7202-20001A	Cylinder Assy (33, 34, 60)	0	0	0	0	1	1	1	1
59	7202-20053	Bushing OLD (Included in 61)	0	0	0	0	4	4	4	4
60	7202-20001	Cylinder (Included in 58)	0	0	0	0	1	1	1	1
61	7202-20016A	Bracket Assy (12, 59)	0	0	0	0	4	4	4	4
62	7202-20021	Cam	0	0	0	0	1	1	1	1
63	170-110	Nut	0	0	0	0	2	2	2	2
64	323-101	Grease Nipple	0	0	0	0	4	4	4	4
65	7202-20066	Grease Nipple	0	0	0	0	4	4	4	4
66	181-004	C-Ring	0	0	0	0	4	4	4	4
67	7202-12035	Pin	0	0	0	0	4	4	4	4
68	7202-12037	Knob	0	0	0	0	4	4	4	4
69	117-310	Screw	0	0	0	0	4	4	4	4
70	180-103	Lock Washer	0	0	0	0	4	4	4	4

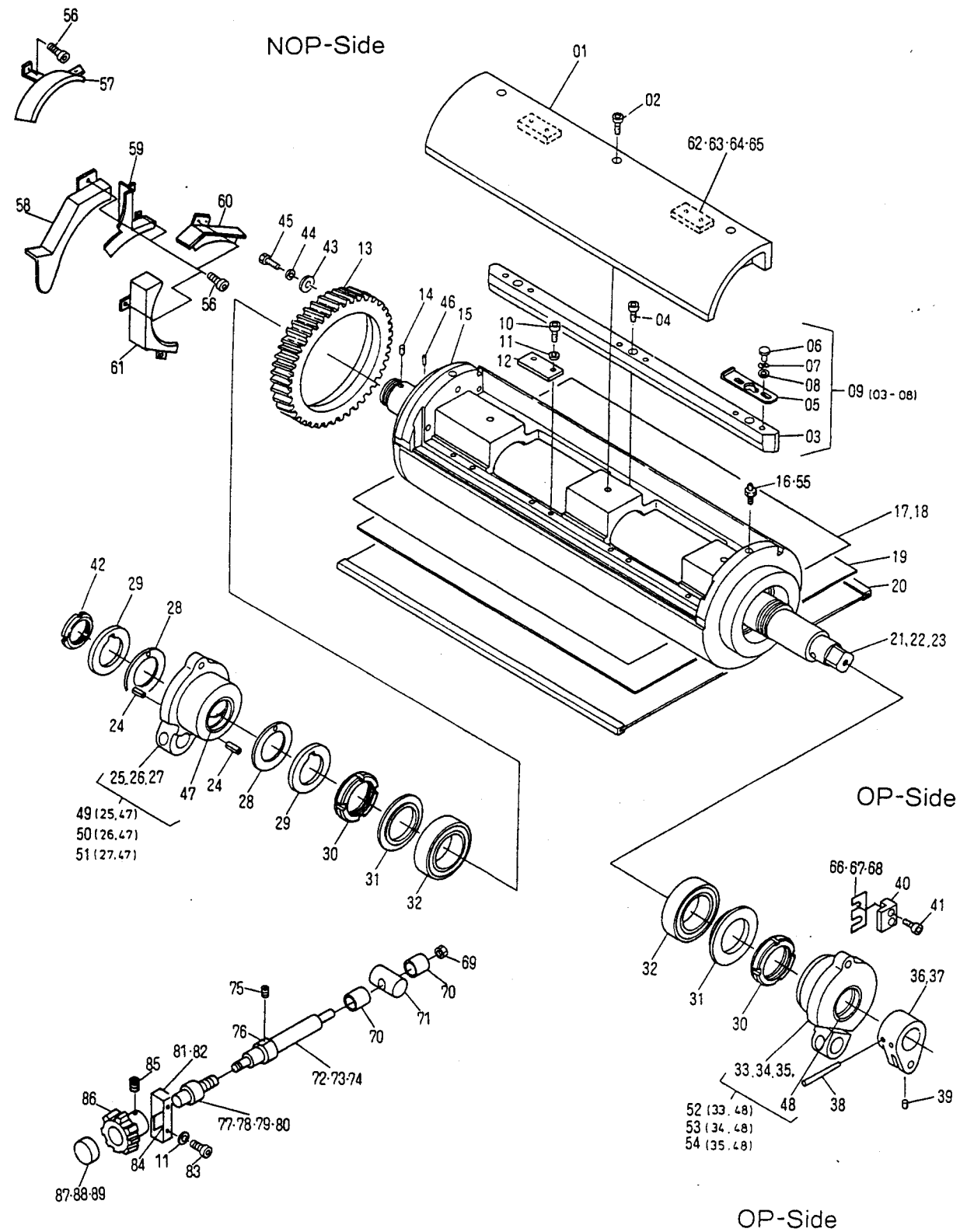


INDEX No.	Parts No.	Description (Remarks)	Units Per Assy							
			C48	C48L	C48SF	-SF C48L	C248E	C248L	-SF C248E	-SF C248L
71	7202-12036	Washer	0	0	0	0	4	4	4	4
72	7202-12034	Paper Guide	0	0	0	0	2	2	2	2
73	7202-12033	Paper Guide	0	0	0	0	2	2	2	2
74	145-506	Set Screw	0	0	0	0	2	2	2	2
75	7202-20067	Bracket	0	0	0	0	2	2	2	2
76	7202-20067A	Bracket Assy (64, 75)	0	0	0	0	2	2	2	2
77	5802-20027B	Shim (t = 0.04)	0	0	0	0	-	-	-	-
78	7205-02155	Screw	0	0	0	0	4	4	4	4
79	7205-02075	Cover	0	0	0	0	1	1	1	1
80	7205-02076	Cover	0	0	0	0	1	1	1	1
81	7202-20045	Weight (L = 10)	0	0	0	0	-	-	-	-
82	7202-20046	Weight (L = 30)	0	0	0	0	-	-	-	-
83	7202-20047	Weight (L = 50)	0	0	0	0	-	-	-	-
84	7202-20048	Weight (L = 15)	0	0	0	0	-	-	-	-
85	7202-20055	Weight (L = 25)	0	0	0	0	-	-	-	-
86	7202-20056	Weight (L = 41)	0	0	0	0	-	-	-	-
87	7202-20057	Weight (L = 57)	0	0	0	0	-	-	-	-
88	7202-20058	Weight (L = 73)	0	0	0	0	-	-	-	-
89	7202-20059	Weight (L = 89)	0	0	0	0	-	-	-	-
90	7202-20060	Weight (L = 105)	0	0	0	0	-	-	-	-
91	7202-20061	Weight (L = 121)	0	0	0	0	-	-	-	-
92	7202-20062	Weight (L = 137)	0	0	0	0	-	-	-	-
93	7202-20063	Weight (L = 155)	0	0	0	0	-	-	-	-
94	7202-20064	Weight (L = 250)	0	0	0	0	-	-	-	-
95	7202-20038	Shim (t = 0.02)	0	0	0	0	-	-	-	-
96	7202-20039	Shim (t = 0.03)	0	0	0	0	-	-	-	-
97	7202-20040	Shim (t = 0.05)	0	0	0	0	-	-	-	-
98	7202-20054	Shim (t = 0.1)	0	0	0	0	-	-	-	-
99	7202-20049	Shim (t = 0.05)	0	0	0	0	-	-	-	-
100	7202-20050	Shim (t = 0.1)	0	0	0	0	-	-	-	-
101	7202-20051	Shim (t = 0.05)	0	0	0	0	-	-	-	-
102	7202-20052	Shim (t = 0.1)	0	0	0	0	-	-	-	-

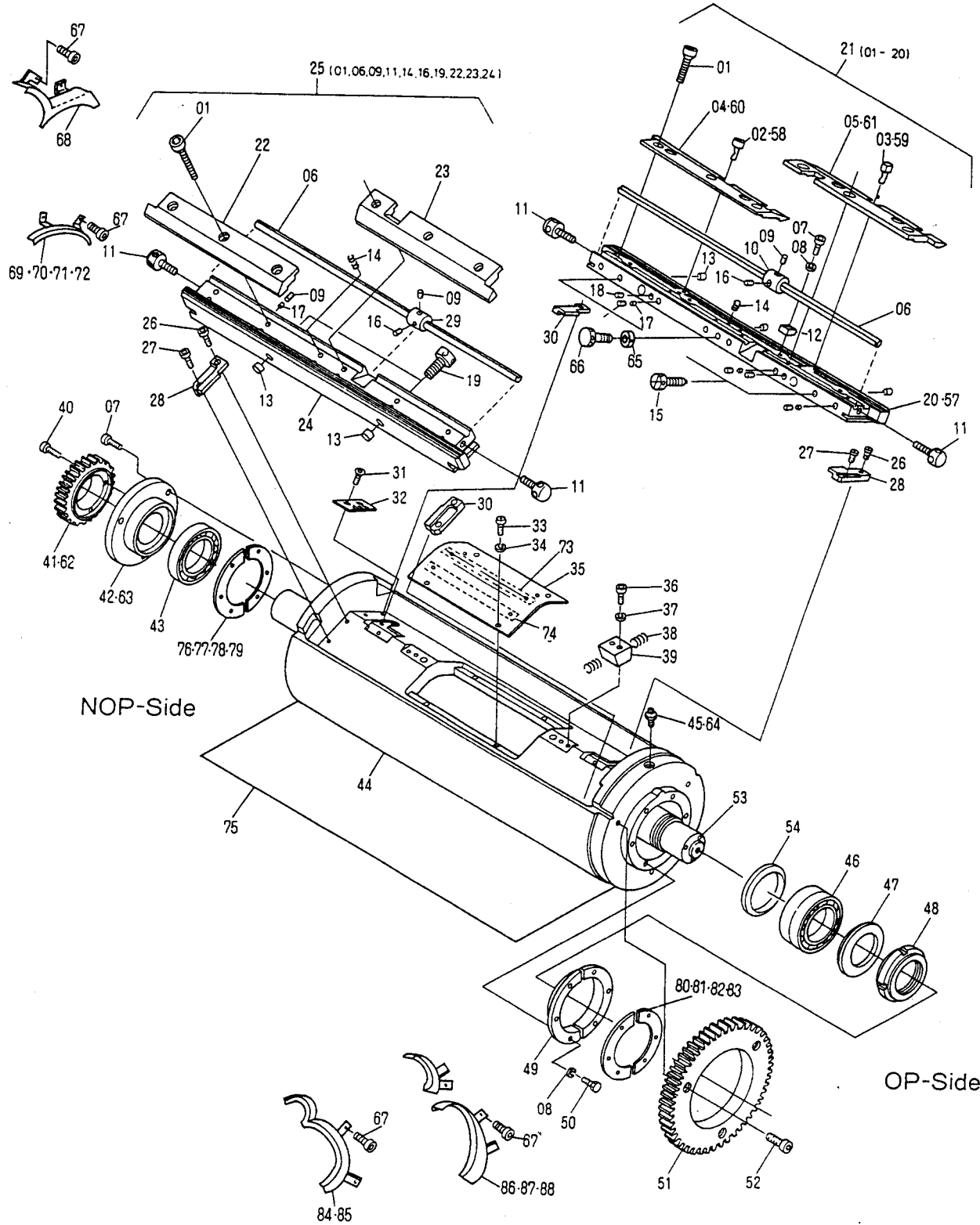


Blanket Cylinder

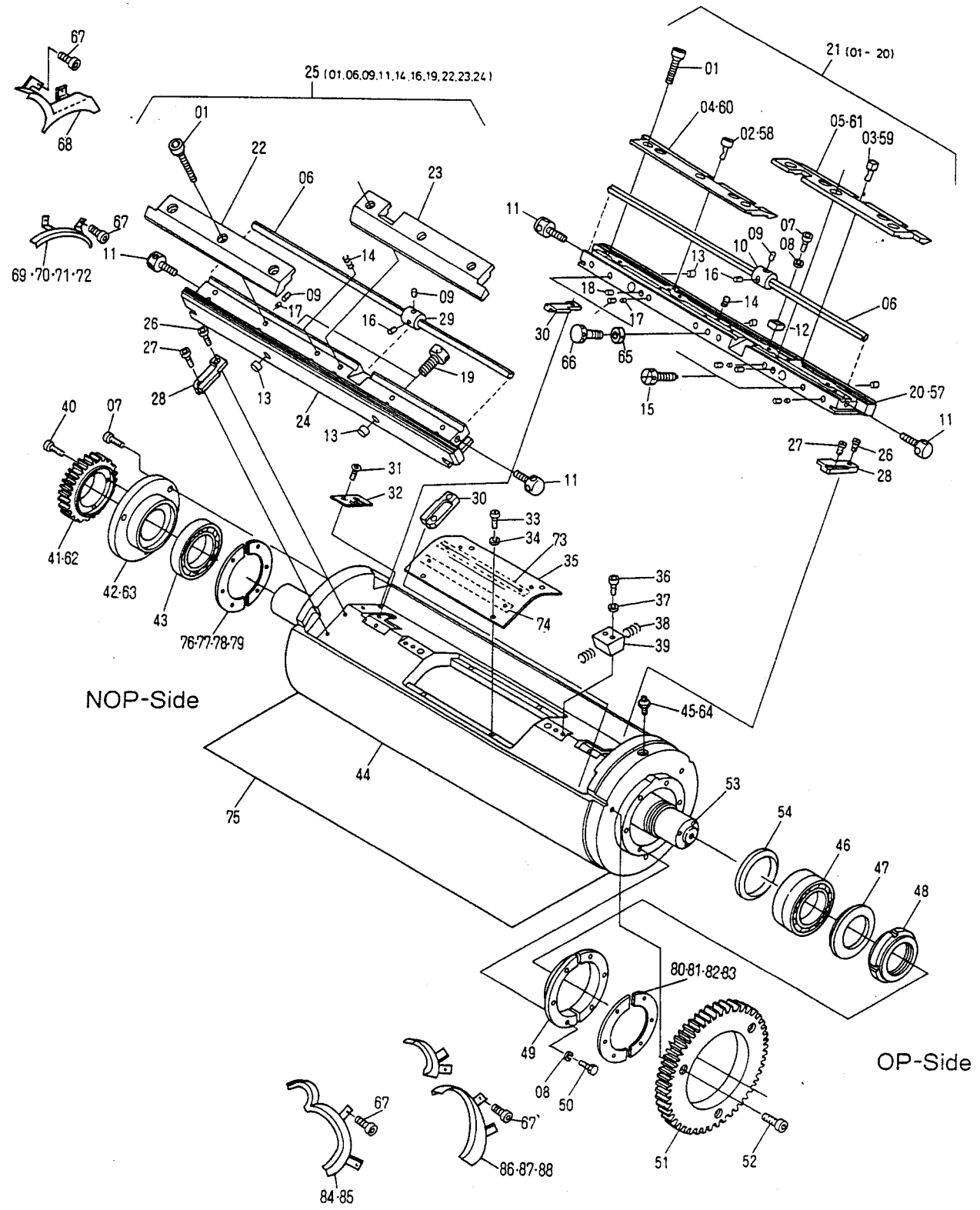
INDEX No.	Parts No.	Description (Remarks)	Unit Per Assy							
			C48	C48L	C48SF	-SF C48L	C248E	C248L	-SF C248E	-SF C248L
01	7202-03023	Balance Weight	1	1	1	1	2	2	2	2
02	117-483	Screw	3	3	3	3	6	6	6	6
03	7202-03022	Clamp Bar (Included in 09)	1	1	1	1	2	2	2	2
04	117-486.5	Screw (")	3	3	3	3	6	6	6	6
05	7202-03027	Plate (")	3	3	3	3	6	6	6	6
06	7202-03041	Pin (")	6	6	6	6	12	12	12	12
07	180-176	Wave Washer (")	6	6	6	6	12	12	12	12
08	184-106.4	Flat Washer (")	6	6	6	6	12	12	12	12
09	7202-03022A	Clamp Bar Assy (03 - 08)	1	1	1	1	2	2	2	2
10	117-365	Screw	8	8	8	8	16	16	16	16
11	180-106	Lock Washer	8	8	8	8	16	16	16	16
12	7202-03021	Plate	4	4	4	4	8	8	8	8
13	7202-03008	Gear	1	1	1	1	2	2	2	2
14	145-410	Set Screw	1	1	1	1	2	2	2	2
15	7202-03001	Blanket Cylinder	1	1	1	1	2	2	2	2
16	323-100	Grease Nipple (OLD)	2	2	2	2	4	4	4	4
17	7202-03053	Gauge Film (t = 0.05)	1	1	1	1	2	2	2	2
18	7202-03052	Gauge Film (t = 0.10)	1	1	1	1	2	2	2	2
19	7202-03040	Blanket Under Packing	1	1	1	1	2	2	2	2
20	7202-03039	Blanket	1	1	1	1	2	2	2	2
21	7202-03003	Blanket Cylinder Shaft (C248 1P)	0	0	0	0	1	1	1	1
22	7202-03002	Blanket Cylinder Shaft (C248 2P)	0	0	0	0	1	1	1	1
23	7202-03028	Blanket Cylinder Shaft (C48)	1	1	1	1	0	0	0	0
24	183-200	Roll Pin	2	2	2	2	4	4	4	4
25	7202-03005	Blanket Cylinder Bushing Bracket (C248 1P) (Included in 49)	0	0	0	0	1	1	1	1
26	7202-03007	Blanket Cylinder Bushing Bracket (C248 2P) (Included in 50)	0	0	0	0	1	1	1	1
27	7202-03030	Blanket Cylinder Bushing Bracket (C48) (Included in 51)	1	1	1	1	0	0	0	0
28	7202-03015	Thrust Washer	2	2	2	2	4	4	4	4
29	7202-03014	Thrust Washer	2	2	2	2	4	4	4	4
30	7202-03013	U-Nut	2	2	2	2	4	4	4	4
31	7202-03012	Oil Seal	2	2	2	2	4	4	4	4
32	7202-03026	Bearing (Brg. 32009X)	2	2	2	2	4	4	4	4
33	7202-03004	Blanket Cylinder Bushing Bracket (C248 1P) (Included in 52)	0	0	0	0	1	1	1	1
34	7202-03006	Blanket Cylinder Bushing Bracket (C248 2P) (Included in 53)	0	0	0	0	1	1	1	1
35	7202-03029	Blanket Cylinder Bushing Bracket (C481) (Included in 54)	1	1	1	1	0	0	0	0
36	7202-03047	Lever (C48, C248-1P)	1	1	1	0	1	1	1	1
37	7202-03048	Lever (C248-2P)	0	0	0	0	1	1	1	1
38	0T-6-50	Taper Pin	1	1	1	1	2	2	2	2
39	145-506	Set Screw	1	1	1	1	2	2	2	2
40	7202-03049	Retainer	4	4	4	4	8	8	8	8
41	117-475	Screw	8	8	8	8	16	16	16	16
42	7202-03016	U-Nut	1	1	1	1	2	2	2	2
43	7202-02007	Washer	3	3	3	3	6	6	6	6
44	180-110	Lock Washer	3	3	3	3	6	6	6	6
45	101-565T	Screw	3	3	3	3	6	6	6	6
46	183-201	Roll Pin	1	1	1	1	2	2	2	2
47	7202-03051	Bushing (Included in 49, 50, 51)	1	1	1	1	2	2	2	2
48	7202-03050	Bushing (Included in 52, 53, 54)	1	1	1	1	2	2	2	2
49	7203-03005A	Blanket Cylinder Bushing Bracket Assy (C248 1P) (25, 47)	0	0	0	0	1	1	1	1
50	7202-03007A	Blanket Cylinder Bushing Bracket Assy (C248 2P) (26, 47)	0	0	0	0	1	1	1	1
51	7202-03030A	Blanket Cylinder Bushing Bracket Assy (C48) (27, 47)	1	1	1	1	0	0	0	0
52	7202-03004A	Blanket Cylinder Bushing Bracket Assy (C248 1P) (33, 48)	0	0	0	0	1	1	1	1
53	7202-03006A	Blanket Cylinder Bushing Bracket Assy (C248 2P) (34, 48)	0	0	0	0	1	1	1	1
54	7202-03029A	Blanket Cylinder Bushing Bracket Assy (C48) (35, 48)	1	1	1	1	0	0	0	0
55	323-101	Grease Nipple (NEW)	2	2	2	2	4	4	4	4
56	7205-02155	Screw	2	2	2	2	8	8	8	8
57	7205-02131	Cover	1	1	1	1	0	0	0	0
58	7205-02074	Cover (1P)	0	0	0	0	1	1	1	1
59	7205-02156	Cover (1P)	0	0	0	0	1	1	1	1
60	7205-02077	Cover (2P)	0	0	0	0	1	1	1	1
61	7205-02090	Cover (2P)	0	0	0	0	1	1	1	1
62	7202-03054	Weight (t = 4.5)	-	-	-	-	-	-	-	-
63	7202-03055	Weight (t = 6.0)	-	-	-	-	-	-	-	-
64	7202-03056	Weight (t = 9.0)	-	-	-	-	-	-	-	-
65	7202-03057	Weight (t = 12.0)	-	-	-	-	-	-	-	-
66	7202-03034	Shim (t = 0.02)	-	-	-	-	-	-	-	-
67	7202-03035	Shim (t = 0.03)	-	-	-	-	-	-	-	-
68	7202-03037	Shim (t = 0.05)	-	-	-	-	-	-	-	-
69	170-110	Nut	2	2	2	2	4	4	4	4
70	5802-10032	Spacer	4	4	4	4	8	8	8	8



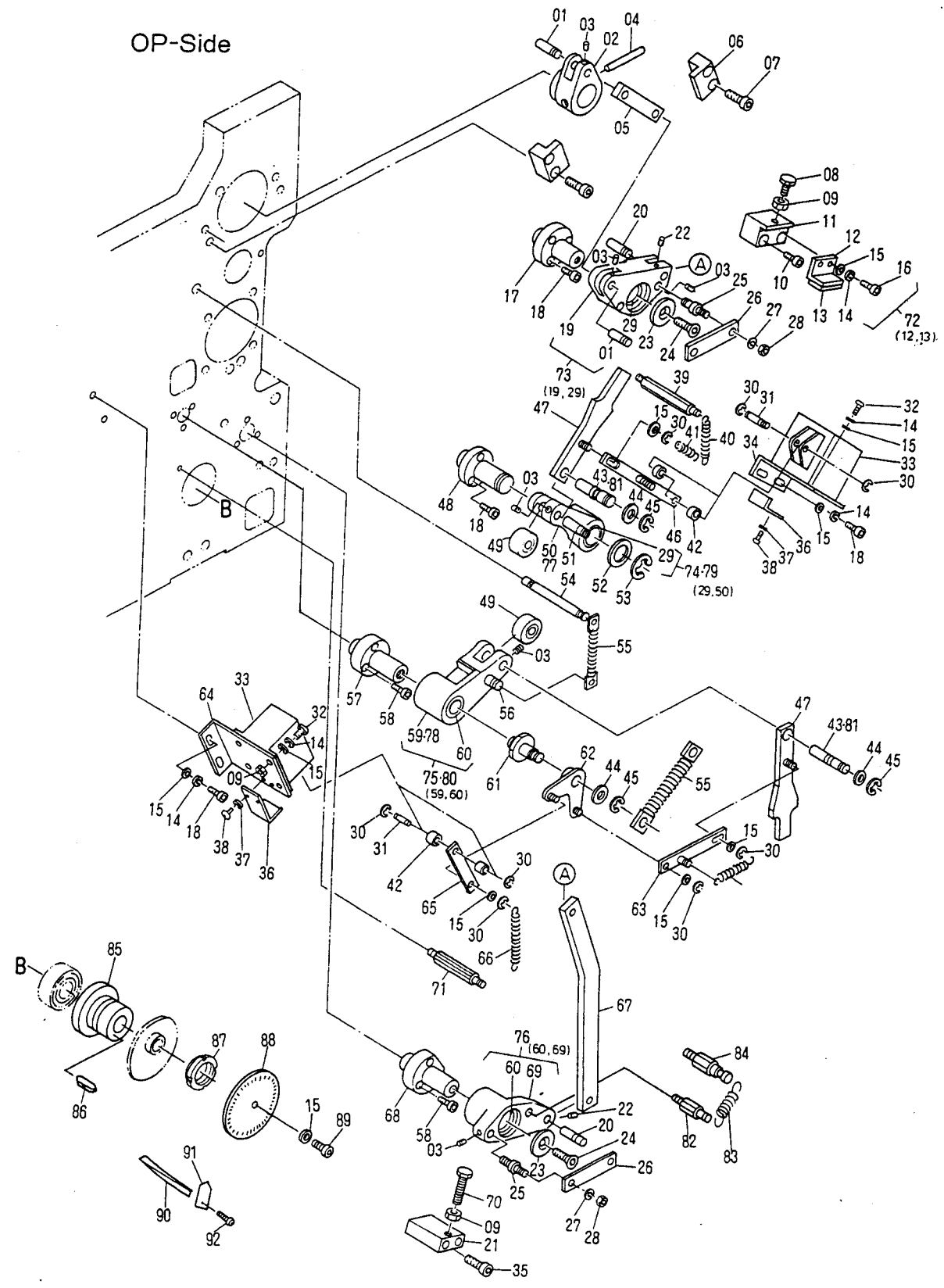
INDEX No.	Parts No.	Description (Remarks)	Units Per Assy							
			C48	C48L	C48SF	-SF C48L	C248E	C248L	-SF C248E	-SF C248L
71	5802-10033	Bracket	2	2	2	2	4	4	4	4
72	7202-10188	Shaft	2	2	2	2	0	0	0	0
73	7202-10142	Shaft (1P)	0	0	0	0	2	2	2	2
74	7202-10143	Shaft (2P)	0	0	0	0	2	2	2	2
75	145-508	Set Screw	2	2	2	2	4	4	4	4
76	7202-10199	Stopper	2	2	2	2	0	0	0	0
77	7202-10145	Shaft (1P, M-S)	0	0	0	0	1	1	1	1
78	7202-10151	Shaft (2P)	0	0	0	0	2	2	2	2
79	7202-10186	Shaft	2	2	2	2	0	0	0	0
80	7202-10153	Shaft (1P, OP-S)	0	0	0	0	1	1	1	1
81	5802-10060	Bracket	0	0	0	0	2	2	2	2
82	7202-10187	Bracket	0	0	0	0	2	2	2	2
83	117-381	Screw	2	2	2	2	4	4	4	4
84	5802-10061	Stopper	2	2	2	2	4	4	4	4
85	145-510	Set Screw	2	2	2	2	4	4	4	4
86	7202-04085	Handle	2	2	2	2	4	4	4	4
87	5802-10123	Name Plate [Indicator (Japanese)]	2	2	2	2	4	4	4	4
88	5802-10124	Name Plate [Indicator (English)]	2	2	2	2	4	4	4	4
89	7202-10202	Name Plate [Indicator] NEW TYPE	2	2	2	2	4	4	4	4



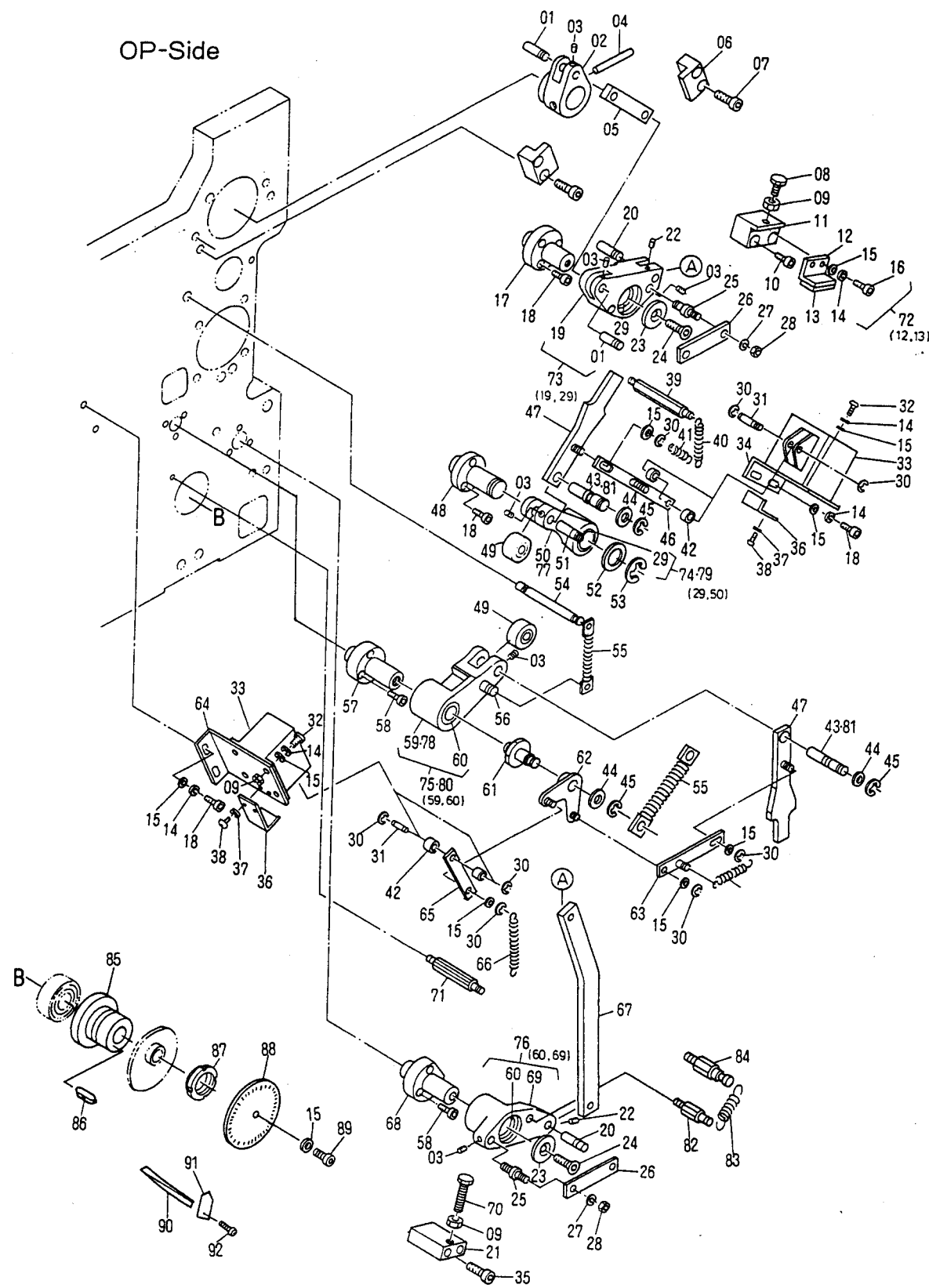
INDEX No.	Parts No.	Description (Remarks)	Unit Per Assy							
			C48	C48L	C48SF	-SF C48L	C248E	C248L	-SF C248E	-SF C248L
01	C-139	Screw	12	12	12	12	24	24	24	24
02	7202-04129	Pin	1	1	1	1	2	2	2	2
03	7202-04128	Pin	1	1	1	1	2	2	2	2
04	7202-04116	Plate Clamp	1	1	1	1	2	2	2	2
05	7202-04115	Plate Clamp	1	1	1	1	2	2	2	2
06	7202-04119	Lock Shaft	2	2	2	2	4	4	4	4
07	117-515	Screw	5	5	5	5	7	7	7	7
08	180-105	Lock Washer	8	8	8	8	16	16	16	16
09	145-358	Set Screw	14	14	14	14	28	28	28	28
10	7202-04121	Lock Collar	1	1	1	1	2	2	2	2
11	7202-04021	Adjustment Screw	4	4	4	4	8	8	8	8
12	7202-04126	Stopper	2	2	2	2	4	4	4	4
13	C-144	Bushing	5	5	5	5	10	10	10	10
14	SP-4	Spring	12	12	12	12	24	24	24	24
15	7202-04156	Adjustment Screw	2	2	2	2	4	4	4	4
16	145-360	Set Screw	2	2	2	2	4	4	4	4
17	PO-127	Spacer	12	12	12	12	24	24	24	24
18	145-406	Set Screw	2	2	2	2	4	4	4	4
19	7202-04130	Adjustment Screw	2	2	2	2	4	4	4	4
20	7202-04113	Plate Clamp Bracket (Head)	1	1	1	1	2	2	2	2
21	7202-04113A	Plate Clamp Bracket Assy (Head)	1	1	1	1	2	2	2	2
22	7202-04118	Plate Clamp (Tail)	1	1	1	1	2	2	2	2
23	7202-04117	Plate Clamp (Tail)	1	1	1	1	2	2	2	2
24	7202-04114	Plate Clamp Bracket (Tail)	1	1	1	1	2	2	2	2
25	7202-04114A	Plate Clamp Bracket Assy (Head)	1	1	1	1	2	2	2	2
26	117-512	Screw	4	4	4	4	8	8	8	8
27	117-508	Screw	4	4	4	4	8	8	8	8
28	7202-04124	Guide Bracket	2	2	2	2	4	4	4	4
29	7202-04122	Lock Collar	1	1	1	1	2	2	2	2
30	7202-04123	Guide Bracket	2	2	2	2	4	4	4	4
31	122-058	Screw	4	4	4	4	8	8	8	8
32	7202-04127	Plate	2	2	2	2	4	4	4	4
33	125-658	Screw	4	4	4	4	8	8	8	8
34	180-104	Lock Washer	4	4	4	4	8	8	8	8
35	7202-04166A	Cover	1	1	1	1	2	2	2	2
36	117-375	Screw	4	4	4	4	8	8	8	8
37	180-106	Lock Washer	4	4	4	4	8	8	8	8
38	SP-5	Spring	4	4	4	4	8	8	8	8
39	7202-04125	Spring Bracket	2	2	2	2	4	4	4	4
40	117-372	Screw	4	4	4	4	8	8	8	8
41	7202-04048	Gear	1	1	1	1	2	2	2	2
42	7202-04047	Flange	1	1	1	1	2	2	2	2
43	7202-04093	Bearing (Brg. 6008ZZ C2P5)	1	1	1	1	2	2	2	2
44	7202-04112	Plate Cylinder	1	1	1	1	2	2	2	2
45	323-100	Grease Nipple	1	1	1	1	2	2	2	2
46	7202-04052	Bearing (Brg. 7009CDB GNP5)	1	1	1	1	2	2	2	2
47	7202-04077	Spacer	1	1	1	1	2	2	2	2
48	7202-03013	U-Nut	1	1	1	1	2	2	2	2
49	7202-04157	Bearing Bracket	1	1	1	1	2	2	2	2
50	101-512	Screw	6	6	6	6	12	12	12	12
51	7202-04038	Gear	1	1	1	1	2	2	2	2
52	117-470	Screw	3	3	3	3	6	6	6	6
53	7202-04037	Shaft	1	1	1	1	2	2	2	2
54	324-815	O Ring	1	1	1	1	2	2	2	2
55	7202-04172	Flange	1	1	1	1	2	2	2	2
56	7202-04173	Gear	1	1	1	1	2	2	2	2
57	7202-04189	Plate Clamp Bracket (Head)	1	1	1	1	2	2	2	2
58	7202-04193	Pin	1	1	1	1	2	2	2	2
59	7202-04192	Pin	1	1	1	1	2	2	2	2
60	7202-04191	Plate Clamp	1	1	1	1	2	2	2	2
61	7202-04190	Plate Clamp	1	1	1	1	2	2	2	2
62	7202-04173	Gear	1	1	1	1	2	2	2	2
63	7202-04172	Flange	1	1	1	1	2	2	2	2
64	323-101	Grease Nipple	1	1	1	1	2	2	2	2
65	7202-04178	Lock Nut	1	1	1	1	2	2	2	2
66	7202-04177	Adjustment Screw	1	1	1	1	2	2	2	2
67	7205-02155	Screw	4	4	4	4	8	8	8	8
68	7205-02164	Cover	1	1	1	1	0	0	0	0
69	7205-02069	Cover	0	0	0	0	1	0	1	0
70	7205-02071	Cover	0	0	0	0	1	0	1	0



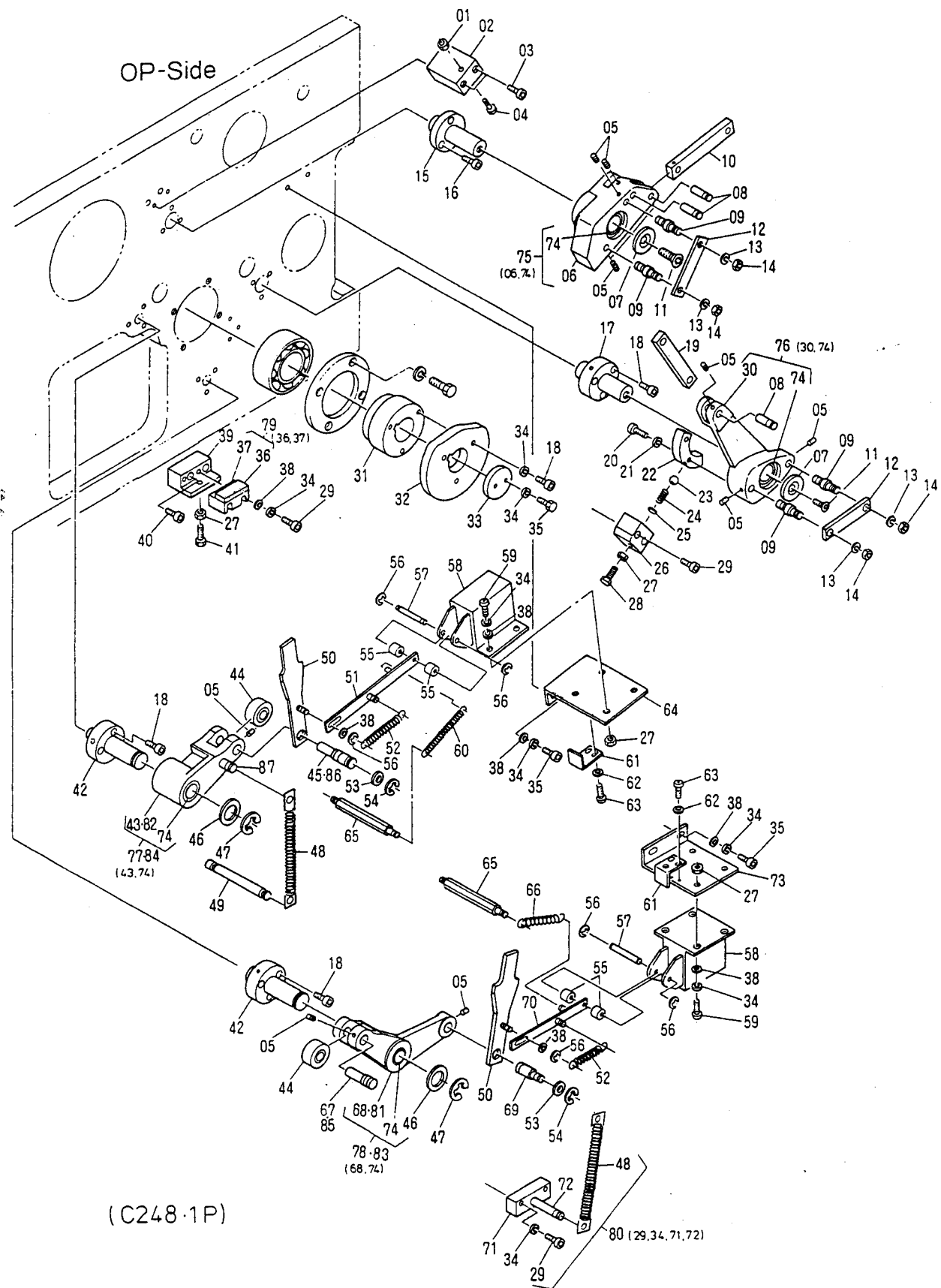
INDEX No.	Parts No.	Description	(Remarks)	Units Per Assy									
				C48	C48L	C48SF	C48L ^{SF}	C248E	C248L	C248E ^{SF}	C248L ^{SF}		
71	7205-02138	Cover	(1P)	0	0	0	0	0	1	0	1		
72	7205-02139	Cover	(2P)	0	0	0	0	0	1	0	1		
73	7202-04167	Weight		1	1	1	1	2	2	2	2		
74	7202-04168	Weight		2	2	2	2	4	4	4	4		
75	7202-04090	Gauge Film		1	1	1	1	2	2	2	2		
76	7202-04081	Shim	(t = 0.05)	-	-	-	-	-	-	-	-		
77	7202-04082	Shim	(t = 0.02)	-	-	-	-	-	-	-	-		
78	7202-04083	Shim	(t = 0.01)	-	-	-	-	-	-	-	-		
79	7202-04184	Shim	(t = 0.1)	-	-	-	-	-	-	-	-		
80	7202-04078	Shim	(t = 0.05)	-	-	-	-	-	-	-	-		
81	7202-04079	Shim	(t = 0.02)	-	-	-	-	-	-	-	-		
82	7202-04080	Shim	(t = 0.01)	-	-	-	-	-	-	-	-		
83	7202-04185	Shim	(t = 0.1)	-	-	-	-	-	-	-	-		
84	7205-02072	Cover	(2P)	0	0	0	0	1	0	1	0		
85	7205-02121	Cover		1	0	1	0	0	0	0	0		
86	7205-02070	Cover	(1P)	0	0	0	0	1	1	1	1		
87	7205-02140	Cover	(2P)	0	0	0	0	0	1	0	1		
88	7205-02163	Cover		0	1	0	1	0	0	0	0		



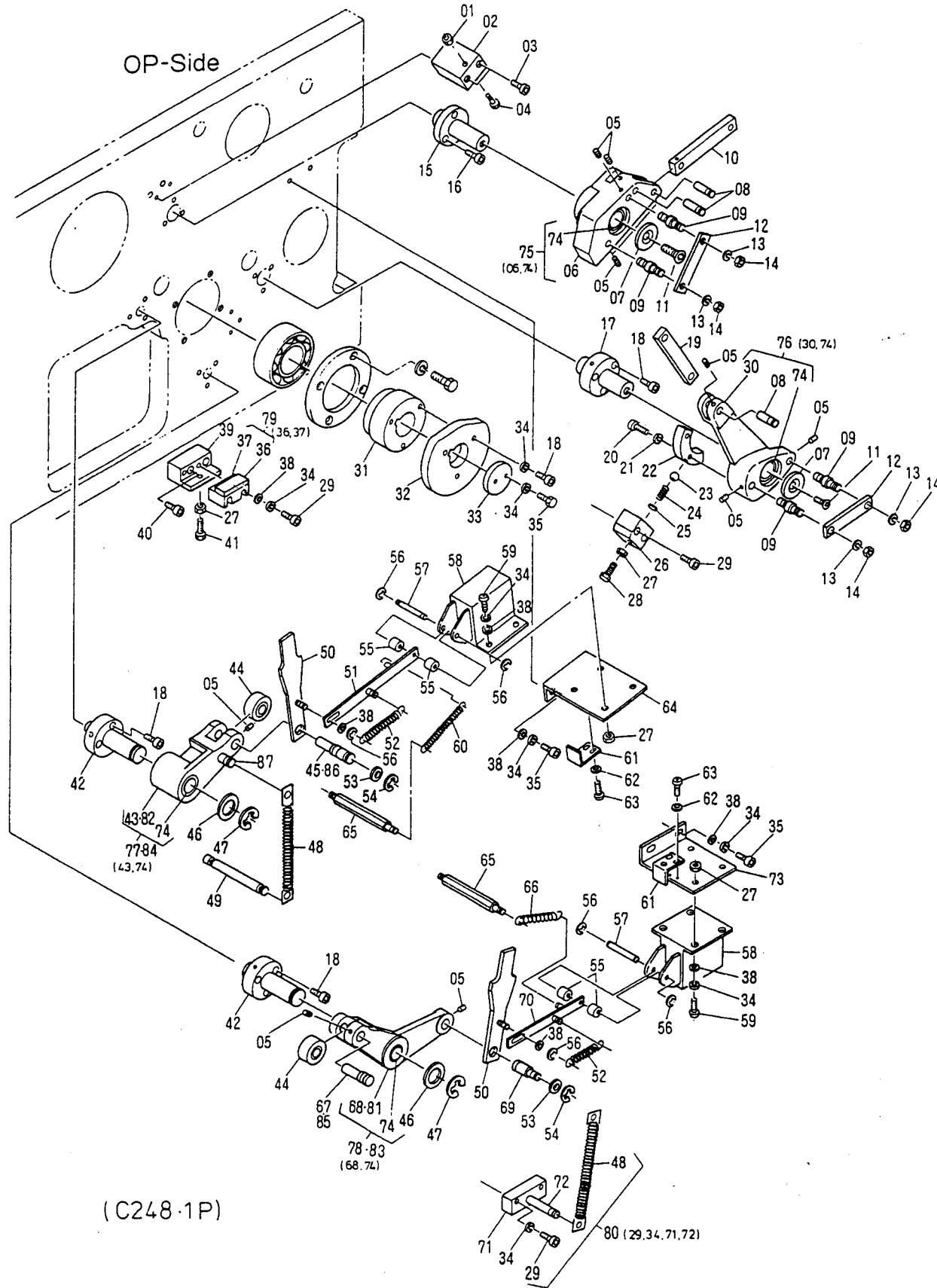
INDEX No.	Parts No.	Description (Remarks)	Unit Per Assy							
			C48	C48L	C48SF	-SF C48L	C248E	C248L	-SF C248E	-SF C248L
01	7202-10129	Pin	2	2	2	2	0	0	0	0
02	7202-03047	Lever	1	1	1	1	0	0	0	0
03	145-508	Set Screw	1	1	1	1	0	0	0	0
04	OT-6-50	Taper Pin	1	1	1	1	0	0	0	0
05	7202-10177	Link	1	1	1	1	0	0	0	0
06	7202-03049	Bracket	2	2	2	2	0	0	0	0
07	117-475	Screw	4	4	4	4	0	0	0	0
08	101-370	Screw	1	1	1	1	0	0	0	0
09	170-106	Nut	10	10	10	10	0	0	0	0
10	117-480	Screw	2	2	2	2	0	0	0	0
11	7202-10200	Block	1	1	1	1	0	0	0	0
12	5802-10110	Block	1	1	1	1	0	0	0	0
13	5802-10108	Cushion	1	1	1	1	0	0	0	0
14	180-106	Lock Washer	14	14	14	14	0	0	0	0
15	184-106	Flat Washer	18	18	18	18	0	0	0	0
16	117-372	Screw	2	2	2	2	0	0	0	0
17	7202-10169	Stud	1	1	1	1	0	0	0	0
18	117-365	Screw	10	10	10	10	0	0	0	0
19	7202-10165	Lever	1	1	1	1	0	0	0	0
20	5102-06007	Pin	2	2	2	2	0	0	0	0
21	7202-10164	Block	1	1	1	1	0	0	0	0
22	145-506	Set Screw	2	2	2	2	0	0	0	0
23	7202-10115	Flat Washer	2	2	2	2	0	0	0	0
24	122-765	Screw	2	2	2	2	0	0	0	0
25	7202-10130	Pin	4	4	4	4	0	0	0	0
26	7202-10132	Link	2	2	2	2	0	0	0	0
27	180-108	Lock Washer	4	4	4	4	0	0	0	0
28	170-108.3	Nut	4	4	4	4	0	0	0	0
29	5803-12131	Bushing	4	4	4	4	0	0	0	0
30	181-404	E-Ring	8	8	8	8	0	0	0	0
31	A04-47-3	Pin	2	2	2	2	0	0	0	0
32	125-762	Screw	8	8	8	8	0	0	0	0
33	E09-32-2	Solenoid	2	2	2	2	0	0	0	0
34	7202-10120	Solenoid Bracket	1	1	1	1	0	0	0	0
35	117-486	Screw	2	2	2	2	0	0	0	0
36	5103-08116	Stopper	2	2	2	2	0	0	0	0
37	184-103	Flat Washer	4	4	4	4	0	0	0	0
38	125-606	Screw	4	4	4	4	0	0	0	0
39	7202-10182	Spring Pin	1	1	1	1	0	0	0	0
40	I51-22-3	Spring	1	1	1	1	0	0	0	0
41	I04-30-3	Spring	2	2	2	2	0	0	0	0
42	A23-07-3	Spacer	4	4	4	4	0	0	0	0
43	7202-10110	Pin	2	2	2	2	0	0	0	0
44	184-112	Flat Washer	3	3	3	3	0	0	0	0
45	181-410	E-Ring	3	3	3	3	0	0	0	0
46	7202-10180A	Link	1	1	1	1	0	0	0	0
47	7202-10107A	Selector	2	2	2	2	0	0	0	0
48	7202-10170	Stud	1	1	1	1	0	0	0	0
49	258-613.1	Roller Follower	2	2	2	2	0	0	0	0
50	7202-10167	Lever	1	1	1	1	0	0	0	0
51	7202-10175	Pin	1	1	1	1	0	0	0	0
52	184-120	Flat Washer	1	1	1	1	0	0	0	0
53	181-415	E-Ring	1	1	1	1	0	0	0	0
54	7202-10128	Spring Pin	1	1	1	1	0	0	0	0
55	CM11-35A	Spring	2	2	2	2	0	0	0	0
56	7202-10109	Pin	1	1	1	1	0	0	0	0
57	7202-10183	Stud	1	1	1	1	0	0	0	0
58	117-370	Screw	6	6	6	6	0	0	0	0
59	7202-10108	Lever	1	1	1	1	0	0	0	0
60	U01-15-3	Bushing	4	4	4	4	0	0	0	0
61	7202-10184	Spring Pin	1	1	1	1	0	0	0	0
62	7202-10171A	Lever	1	1	1	1	0	0	0	0
63	7202-10178A	Link	1	1	1	1	0	0	0	0
64	7202-10119	Solenoid Bracket	1	1	1	1	0	0	0	0
65	7202-10179	Link	1	1	1	1	0	0	0	0
66	5203-11025	Spring	1	1	1	1	0	0	0	0
67	7202-10168	Link	1	1	1	1	0	0	0	0
68	7202-10172	Stud	1	1	1	1	0	0	0	0
69	7202-10166	Lever	1	1	1	1	0	0	0	0
70	101-481	Screw	1	1	1	1	0	0	0	0



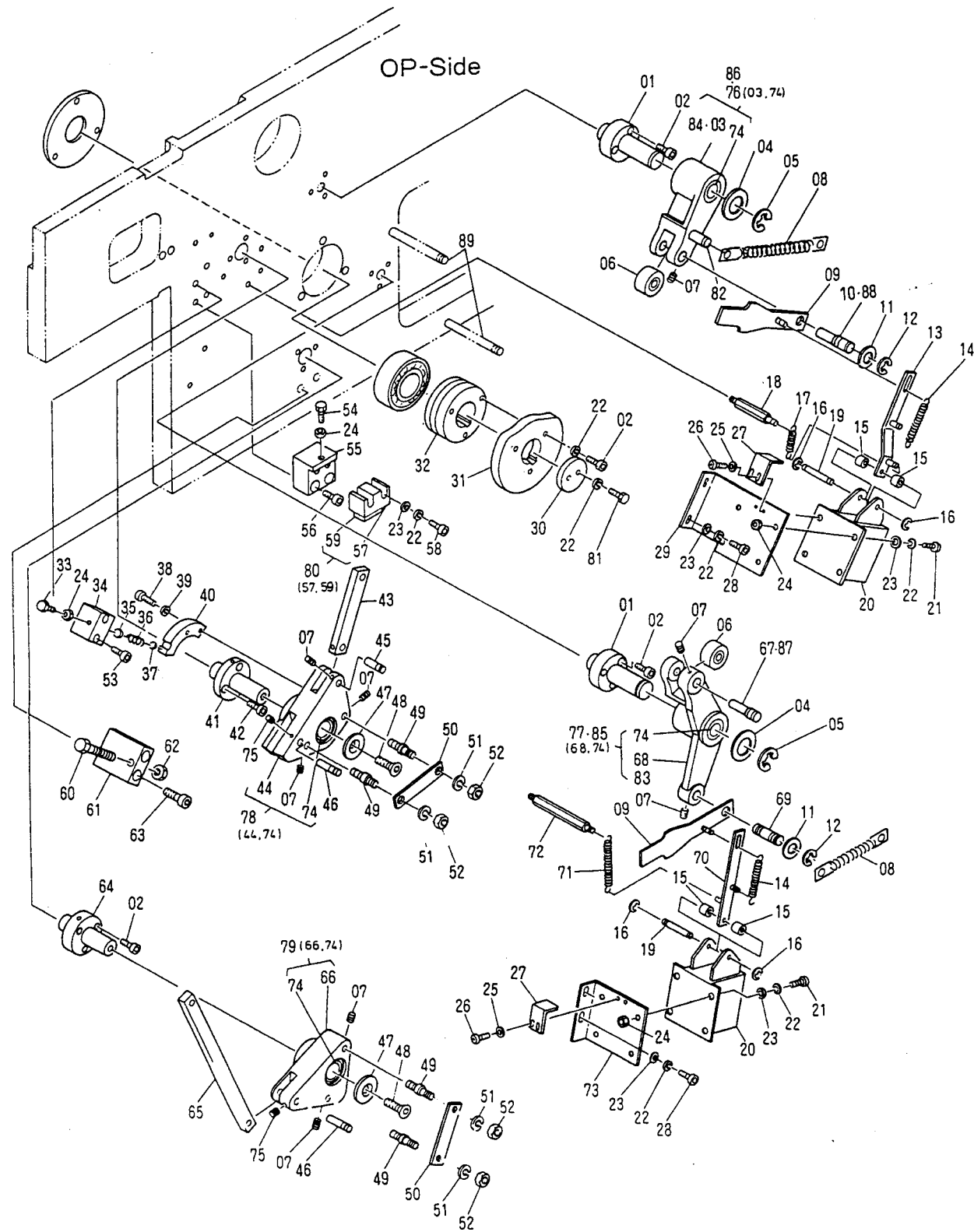
INDEX No.	Parts No.	Description (Remarks)	Units Per Assy							
			C48	C48L	C48SF	-SF C48L	C248E	C248L	-SF C248E	-SF C248L
71	7202-10176	Spring Pin	1	1	1	1	0	0	0	0
72	5802-10110A	Block Assy	(12, 13)	1	1	1	1	0	0	0
73	7202-10165A	Lever Assy	(19, 29)	1	1	1	1	0	0	0
74	7202-10167A	Lever Assy	(29, 50)	1	1	1	1	0	0	0
75	7202-10108A	Lever Assy	(59, 60)	1	1	1	1	0	0	0
76	7202-10166A	Lever Assy	(60, 69)	1	1	1	1	0	0	0
77	7202-10196	Lever		1	1	1	1	0	0	0
78	7202-10195	Lever		1	1	1	1	0	0	0
79	7202-10196A	Lever Assy		1	1	1	1	0	0	0
80	7202-10195A	Lever Assy		1	1	1	1	0	0	0
81	7202-10197	Pin		1	1	1	1	0	0	0
82	5203-02085	Pin		1	1	1	1	0	0	0
83	F27-36-3	Spring		1	1	1	1	0	0	0
84	5802-11009	Pin		1	1	1	1	0	0	0
85	7204-02003	Bracket		1	1	1	1	0	0	0
86	188-074	Key		1	1	1	1	0	0	0
87	7204-02015	U-Nut		1	1	1	1	0	0	0
88	5802-10109	Angle Indicated Plate		1	1	1	1	0	0	0
89	117-360	Screw		1	1	1	1	0	0	0
90	5805-02054	Stud		1	1	1	1	0	0	0
91	5802-10058	Indicator		1	1	1	1	0	0	0
92	125-708	Screw		1	1	1	1	0	0	0



INDEX No.	Parts No.	Description (Remarks)	Unit Per Assy							
			C48	C48L	C48SF	-SF C48L	C248E	C248L	-SF C248E	-SF C248L
01	170-108	Nut	0	0	0	0	1	1	1	1
02	7202-10164	Block	0	0	0	0	1	1	1	1
03	117-486	Screw	0	0	0	0	2	2	2	2
04	101-481	Screw	0	0	0	0	1	1	1	1
05	145-508	Set Screw	0	0	0	0	10	10	10	10
06	7202-10159	Lever	0	0	0	0	1	1	1	1
07	7202-10115	Washer	0	0	0	0	2	2	2	2
08	7202-10129	Pin	0	0	0	0	3	3	3	3
09	7202-10130	Screw	0	0	0	0	4	4	4	4
10	7202-10112	Link	0	0	0	0	1	1	1	1
11	122-765	Screw	0	0	0	0	2	2	2	2
12	7202-10132	Link	0	0	0	0	2	2	2	2
13	180-108	Lock Washer	0	0	0	0	4	4	4	4
14	170-108.3	Nut	0	0	0	0	4	4	4	4
15	7202-10114	Stud	0	0	0	0	1	1	1	1
16	117-362	Screw	0	0	0	0	3	3	3	3
17	7202-10116	Stud	0	0	0	0	1	1	1	1
18	117-370	Screw	0	0	0	0	12	12	12	12
19	7202-10156	Link	0	0	0	0	1	1	1	1
20	117-520	Screw	0	0	0	0	2	2	2	2
21	180-105	Lock Washer	0	0	0	0	2	2	2	2
22	7202-10139	Snapper Block	0	0	0	0	1	1	1	1
23	259-017	Ball	0	0	0	0	1	1	1	1
24	5208-05022	Spring	0	0	0	0	1	1	1	1
25	184-104	Flat Washer	0	0	0	0	1	1	1	1
26	7202-10141	Stopper	0	0	0	0	1	1	1	1
27	170-106	Nut	0	0	0	0	10	10	10	10
28	101-366	Screw	0	0	0	0	1	1	1	1
29	117-380	Screw	0	0	0	0	6	6	6	6
30	7202-10158	Lever	0	0	0	0	1	1	1	1
31	7202-10150	Cam Bracket	0	0	0	0	1	1	1	1
32	7202-10148	Cam	0	0	0	0	1	1	1	1
33	184-221	Washer	0	0	0	0	1	1	1	1
34	180-106	Lock Washer	0	0	0	0	21	21	21	21
35	117-365	Screw	0	0	0	0	6	6	6	6
36	5802-10108	Stopper	0	0	0	0	1	1	1	1
37	7202-10163	Block	0	0	0	0	1	1	1	1
38	184-106	Flat Washer	0	0	0	0	18	18	18	18
39	7202-10162	Block	0	0	0	0	1	1	1	1
40	117-480	Screw	0	0	0	0	2	2	2	2
41	101-370	Screw	0	0	0	0	1	1	1	1
42	7202-10111	Stud	0	0	0	0	2	2	2	2
43	7202-10108	Lever	0	0	0	0	1	1	1	1
44	258-613.1	Roller Follower	0	0	0	0	2	2	2	2
45	7202-10110	Pin	0	0	0	0	1	1	1	1
46	184-120	Flat Washer	0	0	0	0	2	2	2	2
47	181-415	E-Ring	0	0	0	0	2	2	2	2
48	CM11-35A	Spring	0	0	0	0	2	2	2	2
49	7202-10128	Spring Pin	0	0	0	0	1	1	1	1
50	7202-10107A	Selector	0	0	0	0	2	2	2	2
51	7202-10190A	Link	0	0	0	0	1	1	1	1
52	I04-30-3	Spring	0	0	0	0	2	2	2	2
53	184-112	Flat Washer	0	0	0	0	2	2	2	2
54	181-410	E-Ring	0	0	0	0	2	2	2	2
55	A23-07-3	Spacer	0	0	0	0	4	4	4	4
56	181-404	E-Ring	0	0	0	0	6	6	6	6
57	A04-47-3	Pin	0	0	0	0	2	2	2	2
58	E09-32-3	Solenoid	0	0	0	0	2	2	2	2
59	125-762	Screw	0	0	0	0	8	8	8	8
60	F27-36-3	Spring	0	0	0	0	2	2	2	2
61	5103-08116	Stopper	0	0	0	0	2	2	2	2
62	184-103	Flat Washer	0	0	0	0	4	4	4	4
63	125-606	Screw	0	0	0	0	4	4	4	4
64	7202-10119	Solenoid Bracket	0	0	0	0	1	1	1	1
65	7202-10134	Spring Pin	0	0	0	0	2	2	2	2
66	4807-18043	Spring	0	0	0	0	1	1	1	1
67	7202-10144	Pin	0	0	0	0	1	1	1	1
68	7202-10105	Lever	0	0	0	0	1	1	1	1
69	7202-10125	Pin	0	0	0	0	1	1	1	1
70	7202-10191A	Link	0	0	0	0	1	1	1	1



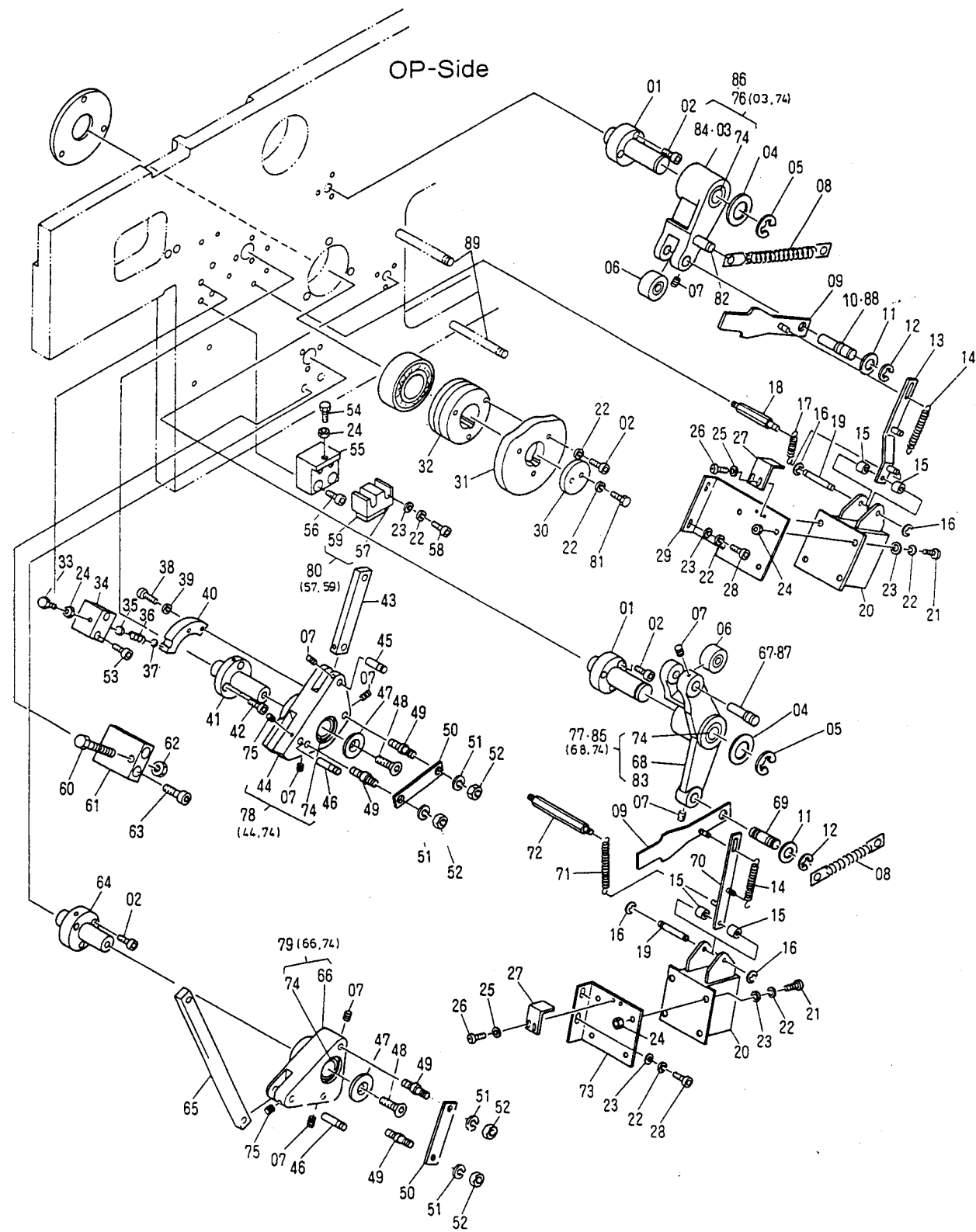
INDEX No.	Parts No.	Description (Remarks)	Unit Per Assy							
			C48	C48L	C48SF	-SF C48L	C248E	C248L	-SF C248E	-SF C248L
71	7202-10136	Bracket	0	0	0	0	1	1	1	1
72	7202-10126	Spring Pin	0	0	0	0	1	1	1	1
73	7202-10120	Solenoid Bracket	0	0	0	0	1	1	1	1
74	U01-15-3	Bushing	0	0	0	0	4	4	4	4
75	7202-10159A	Lever Assy	0	0	0	0	1	1	1	1
76	7202-10158A	Lever Assy	0	0	0	0	1	1	1	1
77	7202-10108A	Lever Assy	0	0	0	0	1	1	1	1
78	7202-10105A	Lever Assy	0	0	0	0	1	1	1	1
79	7202-10163A	Block Assy	0	0	0	0	1	1	1	1
80	7202-10136A	Bracket Assy	0	0	0	0	1	1	1	1
81	7202-10193	Lever	0	0	0	0	1	1	1	1
82	7202-10195	Lever	0	0	0	0	1	1	1	1
83	7202-10193A	Lever Assy	0	0	0	0	1	1	1	1
84	7202-10195A	Lever Assy	0	0	0	0	1	1	1	1
85	7202-10198	Pin	0	0	0	0	1	1	1	1
86	7202-10197	Pin	0	0	0	0	1	1	1	1
87	7202-10109	Pin	0	0	0	0	1	1	1	1



(C248-2P)

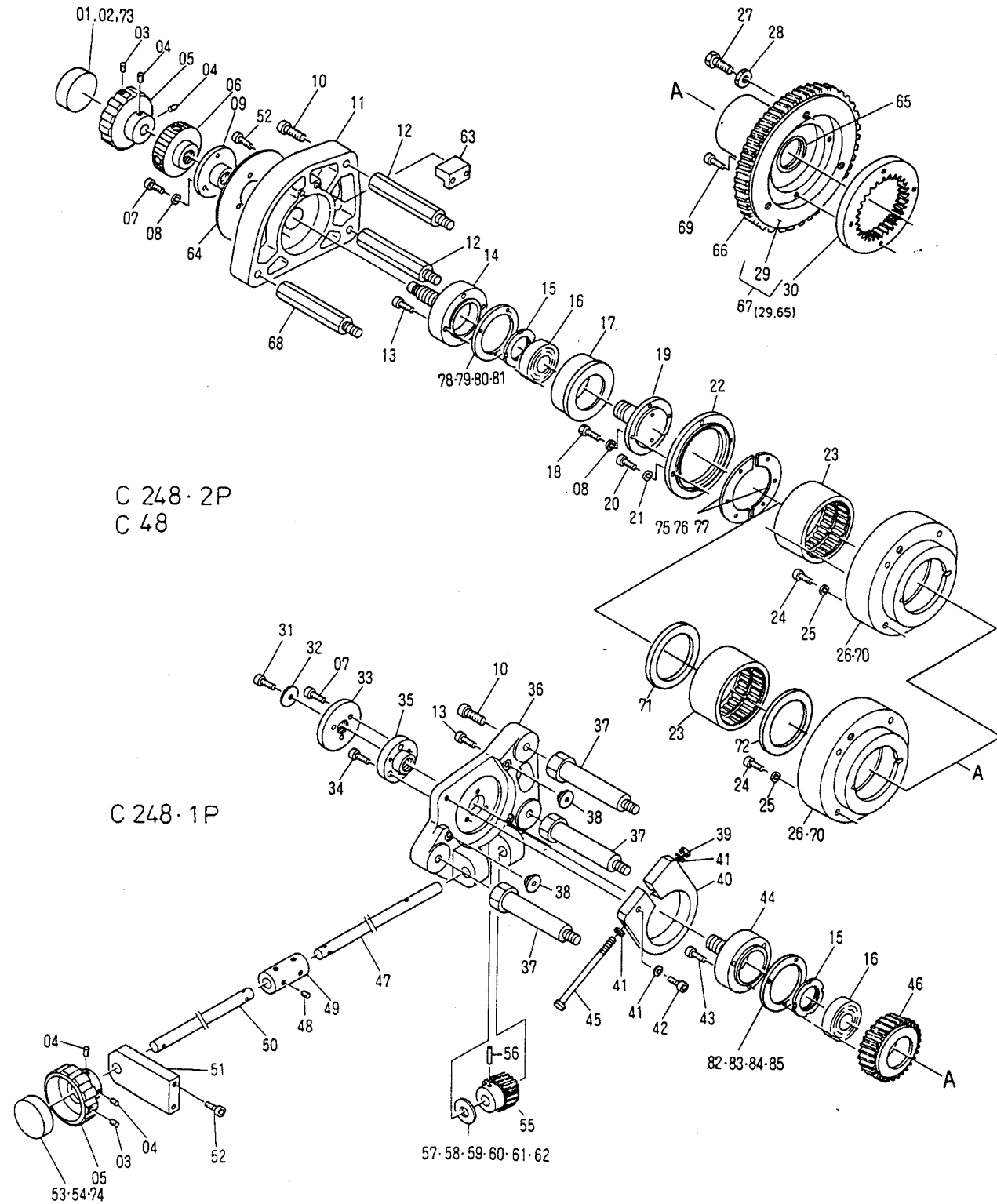
Main Press Section (C248-2P)

INDEX No.	Parts No.	Description (Remarks)	Unit Per Assy							
			C48	C48L	C48SF	-SF C48L	C248E	C248L	-SF C248E	-SF C248L
01	7202-10111	Stud	0	0	0	0	2	2	2	2
02	117-370	Screw	0	0	0	0	12	12	12	12
03	7202-10108	Lever (Included in 76)	0	0	0	0	1	1	1	1
04	184-120	Flat Washer	0	0	0	0	2	2	2	2
05	181-415	E-Ring	0	0	0	0	2	2	2	2
06	258-613.1	Roller Follower	0	0	0	0	2	2	2	2
07	145-508	Set Screw	0	0	0	0	8	8	8	8
08	CM11-35A	Spring	0	0	0	0	2	2	2	2
09	7202-10107A	Selector	0	0	0	0	2	2	2	2
10	7202-10110	Pin	0	0	0	0	1	1	1	1
11	184-112	Flat Washer	0	0	0	0	2	2	2	2
12	181-410	E-Ring	0	0	0	0	2	2	2	2
13	7202-10189A	Link Assy	0	0	0	0	1	1	1	1
14	F42-13-3	Spring	0	0	0	0	2	2	2	2
15	A23-07-3	Spacer	0	0	0	0	4	4	4	4
16	181-404	E-Ring	0	0	0	0	4	4	4	4
17	4807-18043	Spring Pin	0	0	0	0	1	1	1	1
18	7202-10192	Spring Pin	0	0	0	0	1	1	1	1
19	A04-47-3	Pin	0	0	0	0	2	2	2	2
20	E09-32-3	Solenoid	0	0	0	0	2	2	2	2
21	125-762	Screw	0	0	0	0	8	8	8	8
22	180-106	Lock Washer	0	0	0	0	19	19	19	19
23	184-106	Flat Washer	0	0	0	0	14	14	14	14
24	170-106	Nut	0	0	0	0	10	10	10	10
25	184-103	Flat Washer	0	0	0	0	4	4	4	4
26	125-606	Screw	0	0	0	0	4	4	4	4
27	5103-08116	Stopper	0	0	0	0	2	2	2	2
28	117-365	Screw	0	0	0	0	4	4	4	4
29	7202-10117	Solenoid Bracket	0	0	0	0	1	1	1	1
30	184-221	Flat Washer	0	0	0	0	1	1	1	1
31	7202-10147	Cam	0	0	0	0	1	1	1	1
32	7204-02054	Cam Bracket	0	0	0	0	1	1	1	1
33	101-366	Screw	0	0	0	0	1	1	1	1
34	7202-10141	Block	0	0	0	0	1	1	1	1
35	184-104	Flat Washer	0	0	0	0	1	1	1	1
36	5208-05022	Spring	0	0	0	0	1	1	1	1
37	259-017	Ball	0	0	0	0	1	1	1	1
38	117-520	Screw	0	0	0	0	2	2	2	2
39	180-105	Lock Washer	0	0	0	0	2	2	2	2
40	7202-10137	Snapper Block	0	0	0	0	1	1	1	1
41	7202-10114	Stud	0	0	0	0	1	1	1	1
42	117-362	Screw	0	0	0	0	3	3	3	3
43	7202-10112	Link	0	0	0	0	1	1	1	1
44	7202-10160	Lever (Included in 78)	0	0	0	0	1	1	1	1
45	7202-10129	Pin	0	0	0	0	1	1	1	1
46	5102-06007	Pin	0	0	0	0	2	2	2	2
47	7202-10115	Washer	0	0	0	0	2	2	2	2
48	122-765	Screw	0	0	0	0	2	2	2	2
49	7202-10130	Pin	0	0	0	0	4	4	4	4
50	7202-10132	Link	0	0	0	0	2	2	2	2
51	180-108	Lock Washer	0	0	0	0	4	4	4	4
52	170-108.3	Nut	0	0	0	0	4	4	4	4
53	117-381	Screw	0	0	0	0	2	2	2	2
54	101-370	Screw	0	0	0	0	1	1	1	1
55	7202-10161	Block	0	0	0	0	1	1	1	1
56	117-480	Screw	0	0	0	0	2	2	2	2
57	7202-10163	Block (Included in 80)	0	0	0	0	1	1	1	1
58	117-380	Screw (Included in 80)	0	0	0	0	2	2	2	2
59	5802-10108	Stopper (Included in 80)	0	0	0	0	1	1	1	1
60	101-481	Screw	0	0	0	0	1	1	1	1
61	7202-10164	Block	0	0	0	0	1	1	1	1
62	170-108	Nut	0	0	0	0	1	1	1	1
63	117-486	Screw	0	0	0	0	2	2	2	2
64	7202-10116	Stud	0	0	0	0	1	1	1	1
65	7202-10155	Link	0	0	0	0	1	1	1	1
66	7202-10157	Lever (Included in 79)	0	0	0	0	1	1	1	1
67	7202-10144	Pin	0	0	0	0	1	1	1	1
68	7202-10106	Lever (Included in 77)	0	0	0	0	1	1	1	1
69	7202-10125	Pin	0	0	0	0	1	1	1	1
70	7202-10191A	Link Assy	0	0	0	0	1	1	1	1



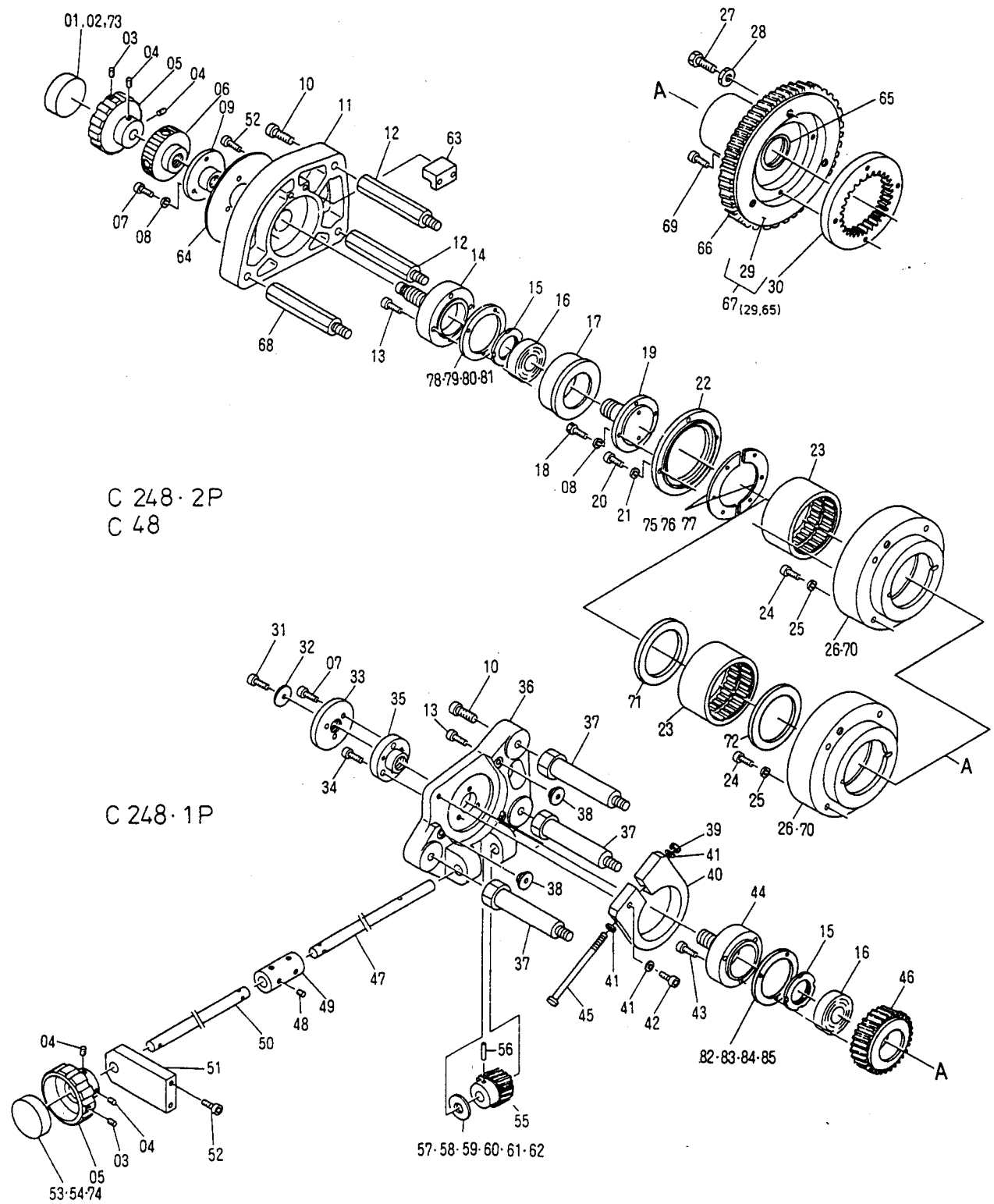
(C248-2P)

INDEX No.	Parts No.	Description (Remarks)	Unit Per Assy							
			C48	C48L	C48SF	-SF C48L	C248E	C248L	-SF C248E	-SF C248L
71	4807-18043	Spring	0	0	0	0	1	1	1	1
72	7202-10134	Spring Pin	0	0	0	0	1	1	1	1
73	7202-10118	Solenoid Bracket	0	0	0	0	1	1	1	1
74	U01-15-3	Bushing	0	0	0	0	4	4	4	4
75	145-506	Screw	0	0	0	0	2	2	2	2
76	7202-10108A	Lever Assy	0	0	0	0	1	1	1	1
77	7202-10106A	Lever Assy	0	0	0	0	1	1	1	1
78	7202-10160A	Lever Assy	0	0	0	0	1	1	1	1
79	7202-10157A	Lever Assy	0	0	0	0	1	1	1	1
80	7202-10163A	Stopper Assy	0	0	0	0	1	1	1	1
81	101-366	Screw	0	0	0	0	2	2	2	2
82	7202-10109	Pin	0	0	0	0	1	1	1	1
83	7202-10194	Lever	0	0	0	0	1	1	1	1
84	7202-10195	Lever	0	0	0	0	1	1	1	1
85	7202-10194A	Lever Assy	0	0	0	0	1	1	1	1
86	7202-10195A	Lever Assy	0	0	0	0	1	1	1	1
87	7202-10198	Pin	0	0	0	0	1	1	1	1
88	7202-10197	Pin	0	0	0	0	1	1	1	1
89	7202-10128	Pin	0	0	0	0	2	2	2	2



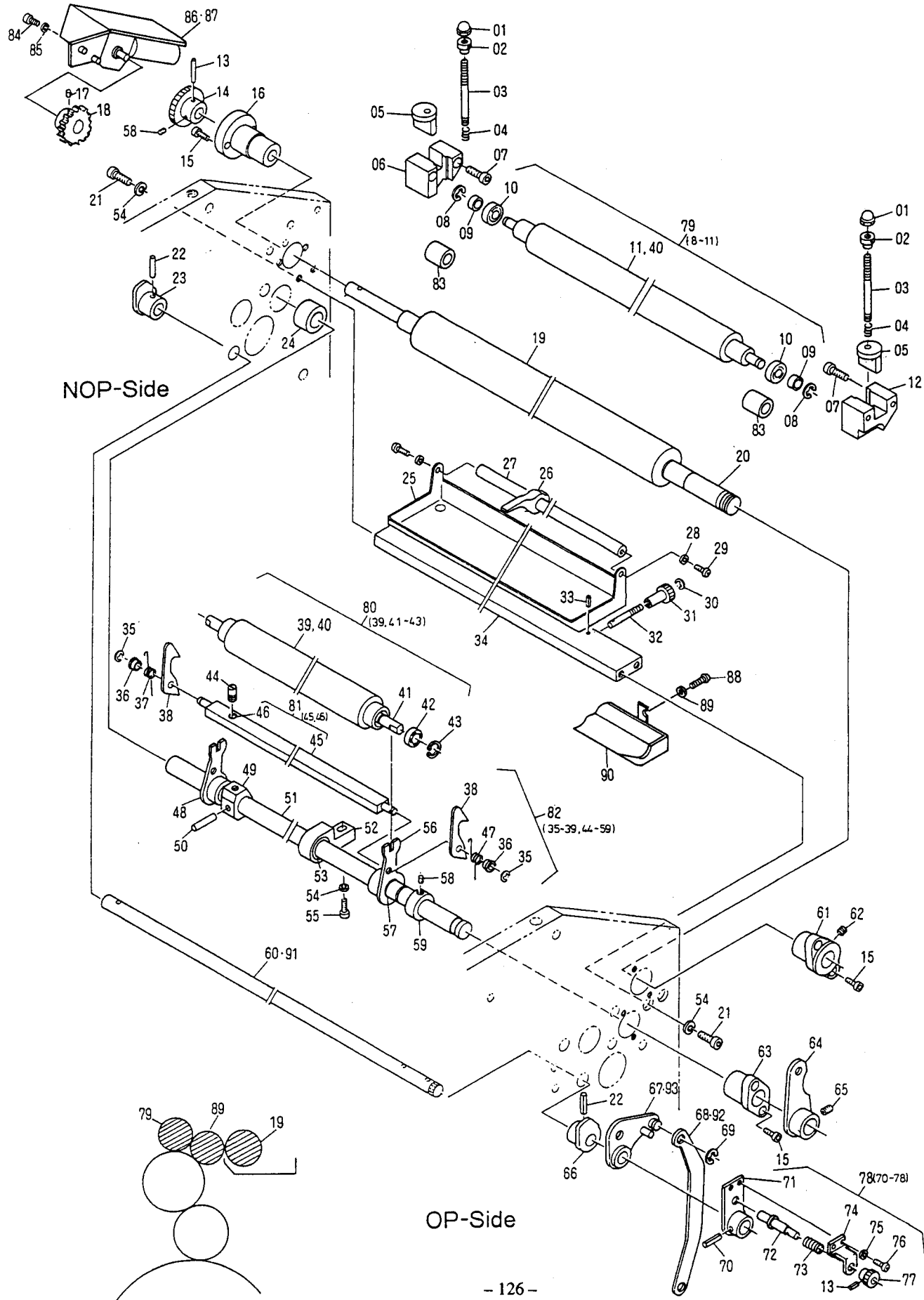
Vertical Register Mechanism

INDEX No.	Parts No.	Description (Remarks)	Units Per Assy									
			C48	C48L	C48SF	-SF C48L	C248E	C248L	-SF C248E	-SF C248L		
01	7202-04068	Name Plate [Indicator (Japanese)]	OLD	1	1	1	1	1	1	1	1	1
02	7202-04144	Name Plate [Indicator (English)]	OLD	1	1	1	1	1	1	1	1	1
03	145-505	Set Screw		1	1	1	1	2	2	2	2	2
04	145-510	Set Screw		2	2	2	2	4	4	4	4	4
05	7202-04085	Handle		1	1	1	1	2	2	2	2	2
06	7202-04084	Nut		1	1	1	1	1	1	1	1	1
07	117-512	Screw		3	3	3	3	6	6	6	6	6
08	180-105	Lock Washer		3	3	3	3	4	4	4	4	4
09	7202-04045	Vertical Register Adjusting Nut		1	1	1	1	1	1	1	1	1
10	117-480	Screw		3	3	3	3	6	6	6	6	6
11	7202-04065	Bracket		1	1	1	1	1	1	1	1	1
12	7202-04062	Stud		2	2	2	2	2	2	2	2	2
13	117-520	Screw		4	4	4	4	7	7	7	7	7
14	7202-04060	Vertical Register Adjusting Shaft		1	1	1	1	1	1	1	1	1
15	7202-04058	U-Nut		1	1	1	1	2	2	2	2	2
16	7202-04179	Bearing (Brg. 5204)		1	1	1	1	2	2	2	2	2
17	7202-04059	Bearing Case		1	1	1	1	1	1	1	1	1
18	101-512	Screw		4	4	4	4	4	4	4	4	4
19	7202-04057	Shaft		1	1	1	1	1	1	1	1	1
20	117-412	Screw		4	4	4	4	4	4	4	4	4
21	180-104	Lock Washer		4	4	4	4	4	4	4	4	4
22	7202-04055	Bearing Retainer		1	1	1	1	2	2	2	2	2
23	7202-04053	Bearing		1	1	1	1	2	2	2	2	2
24	117-385	Screw		4	4	4	4	8	8	8	8	8
25	180-106	Lock Washer		4	4	4	4	8	8	8	8	8
26	7202-04054	Bushing Bracket	(OLD)	1	1	1	1	2	2	2	2	2
27	101-480T	Screw		4	4	4	4	8	8	8	8	8
28	A19-38-3	Washer		3	3	3	3	6	6	6	6	6
29	7202-04050	Gear Bracket	(Included in 67)	1	1	1	1	2	2	2	2	2
30	7202-04049	Gear		1	1	1	1	2	2	2	2	2
31	117-510	Screw		0	0	0	0	1	1	1	1	1
32	5802-04106	Washer		0	0	0	0	1	1	1	1	1
33	5802-04102	Washer		0	0	0	0	1	1	1	1	1
34	117-362	Screw		0	0	0	0	3	3	3	3	3
35	7202-04134	Adjustment Screw		0	0	0	0	1	1	1	1	1
36	7202-04137	Bracket		0	0	0	0	1	1	1	1	1
37	7202-04139	Stud		0	0	0	0	3	3	3	3	3
38	7202-04140	Retainer		0	0	0	0	2	2	2	2	2
39	I31-11-3	Nut		0	0	0	0	1	1	1	1	1
40	7202-04132	Brake		0	0	0	0	1	1	1	1	1
41	184-106	Flat Washer		0	0	0	0	3	3	3	3	3
42	117-375	Screw		0	0	0	0	1	1	1	1	1
43	117-525	Screw		0	0	0	0	3	3	3	3	3
44	7202-04131	Vertical Register Adjusting Screw		0	0	0	0	1	1	1	1	1
45	117-392	Screw		0	0	0	0	1	1	1	1	1
46	7202-04133	Gear		0	0	0	0	1	1	1	1	1
47	7202-04135	Shaft		0	0	0	0	1	1	1	1	1
48	145-356	Set Screw		0	0	0	0	4	4	4	4	4
49	5802-04163	Coupling		0	0	0	0	1	1	1	1	1
50	7202-04136	Shaft		0	0	0	0	1	1	1	1	1
51	7202-04138	Bracket		0	0	0	0	1	1	1	1	1
52	117-380	Screw		0	0	0	0	2	2	2	2	2
53	7202-04141	Name Plate [Indicator (Japanese)]	OLD	0	0	0	0	1	1	1	1	1
54	7202-04145	Name Plate [Indicator (English)]	OLD	0	0	0	0	1	1	1	1	1
55	5802-04161	Gear		0	0	0	0	1	1	1	1	1
56	183-189	Roll Pin		0	0	0	0	1	1	1	1	1
57	5802-04184	Spacer 1.05mm		0	0	0	0	-	-	-	-	-
58	5802-04185	Spacer 1.10mm		0	0	0	0	-	-	-	-	-
59	5802-04186	Spacer 1.15mm		0	0	0	0	-	-	-	-	-
60	5802-04187	Spacer 1.20mm		0	0	0	0	-	-	-	-	-
61	5802-04188	Spacer 1.25mm		0	0	0	0	-	-	-	-	-
62	5802-04189	Spacer 1.30mm		0	0	0	0	-	-	-	-	-
63	7202-04061	Retainer		1	1	1	1	1	1	1	1	1
64	7205-02043	Spacer		1	1	1	1	1	1	1	1	1
65	7205-04056	Bushing	(Included in 67)	2	2	2	2	2	2	2	2	2
66	7202-04051	Gear		1	1	1	1	2	2	2	2	2
67	7202-04050A	Gear Assy	(29, 65)	2	2	2	2	2	2	2	2	2
68	7202-04171	Stud		1	1	1	1	1	1	1	1	1
69	117-370	Screw		4	4	4	4	8	8	8	8	8
70	7202-04186	Bushing Bracket	CT-31053 -, CZ-31008 -, CE-31009 -	1	1	1	1	2	2	2	2	2



INDEX No.	Parts No.	Description (Remarks)	Units Per Assy							
			C48	C48L	C48SF	-SF C48L	C248E	C248L	-SF C248E	-SF C248L
71	7202-04187	Oil Seal CT-31053 -, CE-31009 -, CZ-31008 -	1	1	1	1	2	2	2	2
72	7202-04188	Retainer CT-31053 -, CE-31009 -, CZ-31008 -	1	1	1	1	2	2	2	2
73	7202-04182	Indicator	1	1	1	1	1	1	1	1
74	7202-04181	Indicator	0	0	0	0	1	1	1	1
75	7202-04147	Shim (t = 0.02)	-	-	-	-	-	-	-	-
76	7202-04148	Shim (t = 0.03)	-	-	-	-	-	-	-	-
77	7202-04149	Shim (t = 0.05)	-	-	-	-	-	-	-	-
78	7202-04158	Shim (t = 0.2)	-	-	-	-	-	-	-	-
79	7202-04159	Shim (t = 0.1)	-	-	-	-	-	-	-	-
80	7202-04160	Shim (t = 0.05)	-	-	-	-	-	-	-	-
81	7202-04161	Shim (t = 0.03)	-	-	-	-	-	-	-	-
82	7202-04162	Shim (t = 0.2)	-	-	-	-	-	-	-	-
83	7202-04163	Shim (t = 0.1)	-	-	-	-	-	-	-	-
84	7202-04164	Shim (t = 0.05)	-	-	-	-	-	-	-	-
85	7202-04165	Shim (t = 0.03)	-	-	-	-	-	-	-	-

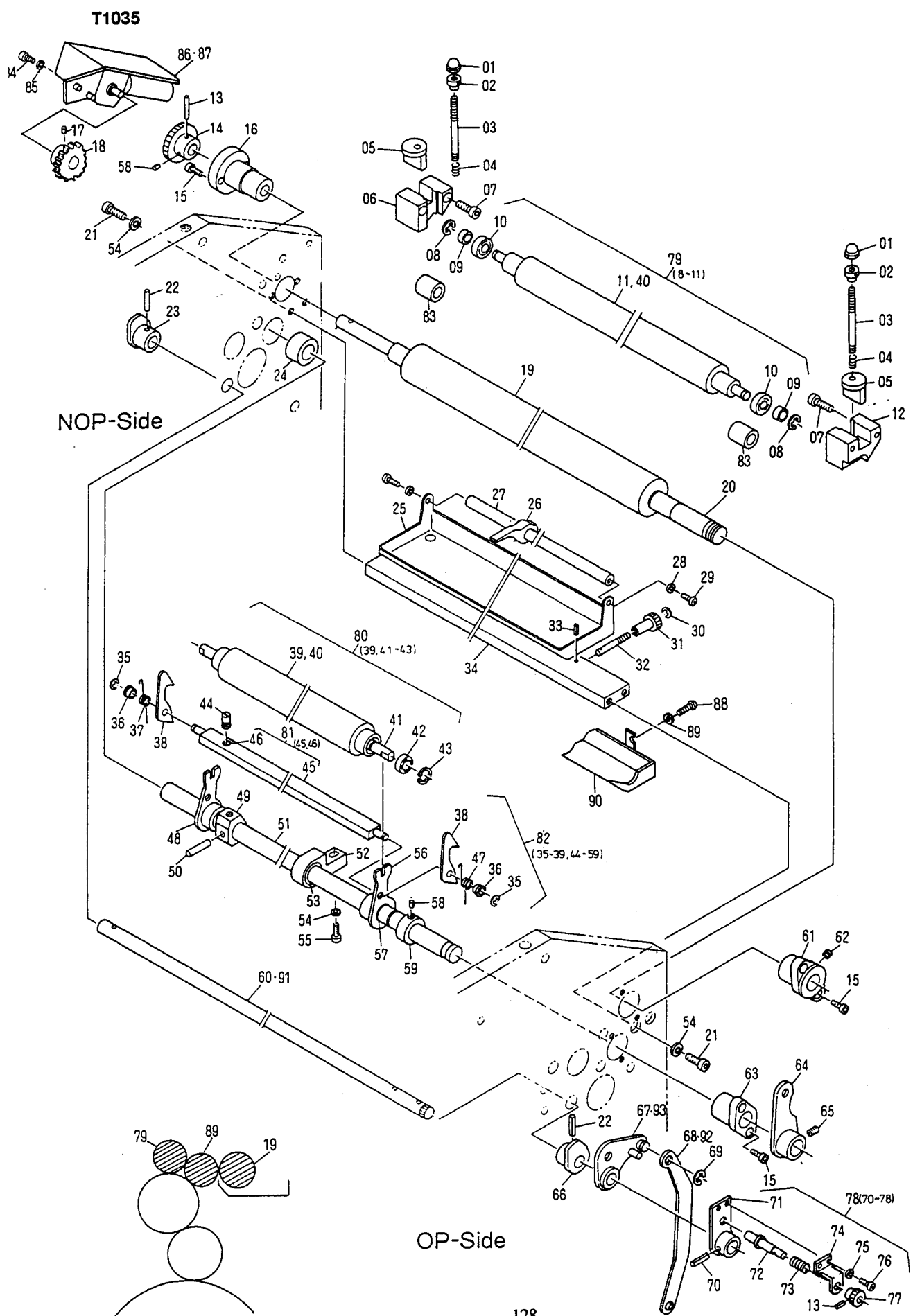
T1035



Dampening Section
Ductor Roller and Dampening Fountain Roller

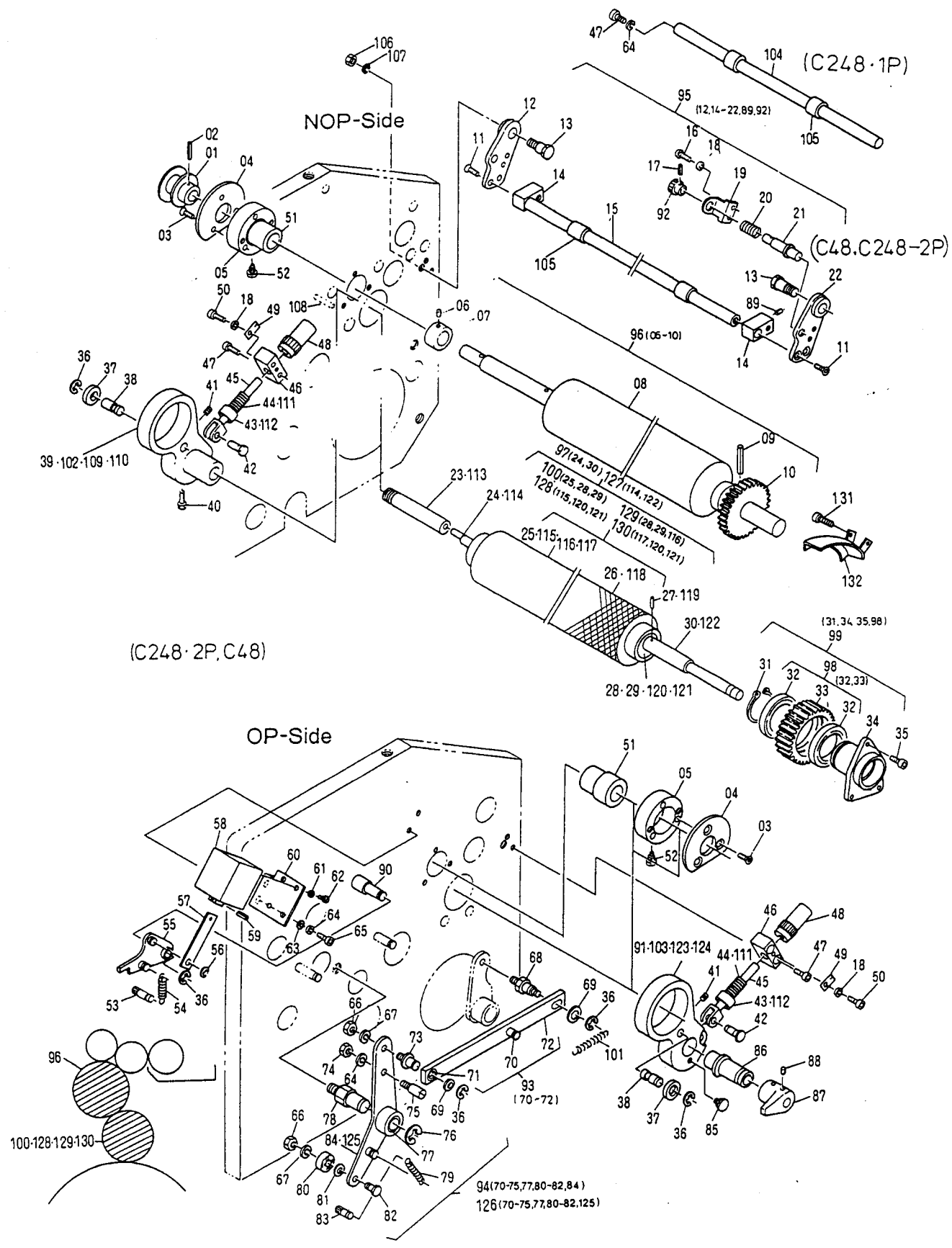
T1035 (1)

INDEX No.	Parts No.	Description (Remarks)	Unit Per Assy							
			C48	C48L	C48SF	-SF C48L	C248E	C248L	-SF C248E	-SF C248L
01	R01-16-3	Cap Nut	2	0	2	0	4	0	4	0
02	R01-15-3	Thumb Nut	2	0	2	0	4	0	4	0
03	7203-16337	Holder Stem	2	0	2	0	4	0	4	0
04	R01-14-3	Spring	2	0	2	0	4	0	4	0
05	7203-16113	Roller Holder	2	0	2	0	4	0	4	0
06	7203-16110	Roller Holder Block	1	0	1	0	2	0	2	0
07	117-530	Screw	2	0	2	0	4	0	4	0
08	181-405	E-Ring	2	0	2	0	4	0	4	0
09	7203-16114	Spacer	2	0	2	0	4	0	4	0
10	7203-16437	Bearing (BRG. 698ZZ)	2	0	2	0	4	0	4	0
11	7203-16108	Auxiliary Roller	1	0	1	0	2	0	2	0
12	7203-16109	Roller Holder Block	1	0	1	0	2	0	2	0
13	183-140	Roll Pin	1	0	1	0	2	0	2	0
14	6503-12506	Gear	1	0	1	0	2	0	2	0
15	117-510	Screw	4	0	4	0	8	0	8	0
16	7203-16012	Fountain Roller Bushing	1	0	1	0	2	0	2	0
17	145-404	Set Screw	1	1	1	1	2	2	2	2
18	7203-16431	Gear	1	1	1	1	2	2	2	2
19	7203-16084	Dampening Fountain Roller	1	0	1	0	2	0	2	0
20	7203-16011	Fountain Roller Bushing	1	0	1	0	2	0	2	0
21	117-380	Screw	4	0	4	0	8	0	8	0
22	183-205	Roll Pin	2	0	2	0	4	0	4	0
23	7203-16054A	Cam	1	0	1	0	2	0	2	0
24	7203-04032	Bushing	1	0	1	0	2	0	2	0
25	7203-16098	Dampening Fountain Tray	1	0	1	0	2	0	2	0
26	R05-01-3	Water Stop	20	0	20	0	40	0	40	0
27	7203-16099	Water Stop Shaft	1	0	1	0	2	0	2	0
28	180-105.01	Lock Washer	2	0	2	0	4	0	4	0
29	125-710.01	Screw	2	0	2	0	4	0	4	0
30	181-403	E-Ring	2	0	2	0	4	0	4	0
31	7203-16005	Thumb Nut	2	0	2	0	4	0	4	0
32	7203-16006	Holder Stem	2	0	2	0	4	0	4	0
33	183-166	Roll Pin	2	0	2	0	4	0	4	0
34	7203-16002	Fountain Tray Spreader	1	0	1	0	2	0	2	0
35	181-404	E-Ring	2	0	2	0	4	0	4	0
36	R11-29-3	Bushing	2	0	2	0	4	0	4	0
37	I01-33-3	Spring	1	0	1	0	2	0	2	0
38	7203-06022	Ductor Roller Latch	2	0	2	0	4	0	4	0
39	7203-16086A	Ductor Roller	1	0	1	0	2	0	2	0
40	7203-16082	Molton Cover (Use to 11, 39)	2	0	2	0	4	0	4	0
41	7203-16118	Ductor Roller Shaft	1	0	1	0	2	0	2	0
42	250-088.7	Bearing (BRG 688ZZ) Included in 39	2	0	2	0	4	0	4	0
43	181-008	C-Ring Included in 39	2	0	2	0	4	0	4	0
44	7203-06024	Pivot Pin	2	0	2	0	4	0	4	0
45	7203-06004	Ductor Frame Spreader	1	0	1	0	2	0	2	0
46	243-605	Bushing	1	0	1	0	2	0	2	0
47	I01-32-3	Spring	1	0	1	0	2	0	2	0
48	7203-06010A	Ductor Roller Bracket	1	0	1	0	2	0	2	0
49	7203-06009	Pivot Bracket	1	0	1	0	2	0	2	0
50	CP03-34	Roll Pin	1	0	1	0	2	0	2	0
51	7203-06003	Ductor Frame Shaft	1	0	1	0	2	0	2	0
52	7203-16117	Bracket	1	0	1	0	2	0	2	0
53	241-1616.2	Bushing	1	0	1	0	2	0	2	0
54	180-106	Lock Washer	5	0	5	0	10	0	10	0
55	117-370	Screw	1	0	1	0	2	0	2	0
56	7203-06011A	Ductor Roller Bracket	1	0	1	0	2	0	2	0
57	243-524	Bushing	2	0	2	0	4	0	4	0
58	145-505	Set Screw	1	0	1	0	2	0	2	0
59	M05-37-3	Collar	1	0	1	0	2	0	2	0
60	7203-16088	Shaft (2P)	1	0	1	0	1	0	1	0
61	7203-16010	Fountain Roller Bushing	1	0	1	0	2	0	2	0
62	145-508	Set Screw	1	0	1	0	2	0	2	0
63	7203-04031	Bushing	1	0	1	0	2	0	2	0
64	7203-16043A	Lever	1	0	1	0	2	0	2	0
65	145-504	Set Screw	1	0	1	0	2	0	2	0
66	7203-16055A	Cam	1	0	1	0	2	0	2	0
67	7203-16090A	Lever (2P)	1	0	1	0	1	0	1	0
68	7203-16026	Link (2P)	1	0	1	0	1	0	1	0
69	181-406	E-Ring	1	0	1	0	2	0	2	0
70	183-206	Roll Pin	1	0	1	0	2	0	2	0



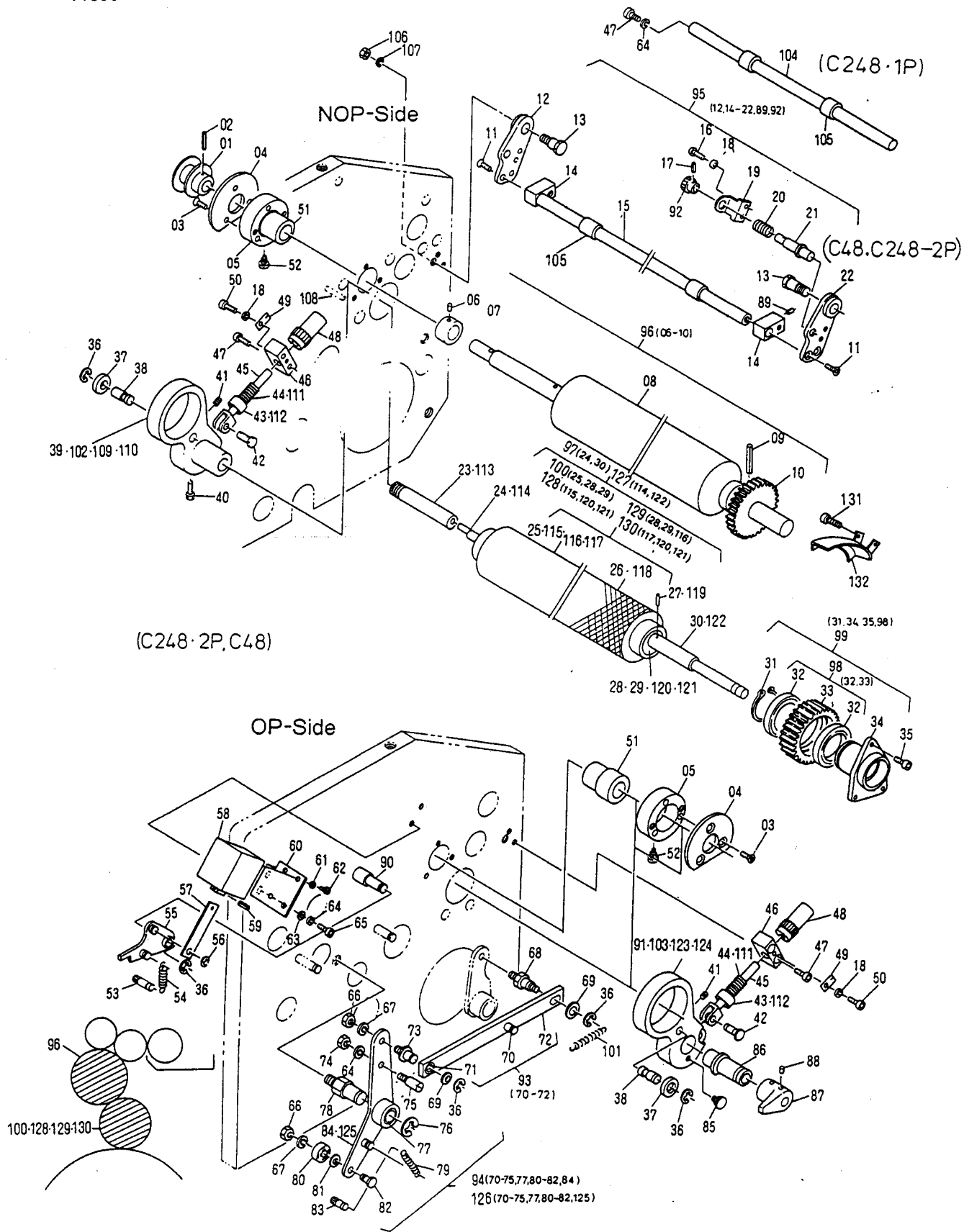
Dampening Section
Ductor Roller and Dampening Fountain Roller T1035 (2)

INDEX No.	Parts No.	Description (Remarks)	Unit Per Assy							
			C48	C48L	C48SF	-SF C48L	C248E	C248L	-SF C248E	-SF C248L
71	7203-16092A	Bracket	1	0	1	0	2	0	2	0
72	7203-16063	Pin	1	0	1	0	2	0	2	0
73	5204-05010	Spring	1	0	1	0	2	0	2	0
74	7203-16064	Bracket	1	0	1	0	2	0	2	0
75	180-104	Lock Washer	2	0	2	0	4	0	4	0
76	125-656	Screw	2	0	2	0	4	0	4	0
77	7203-16062	Knob	1	0	1	0	2	0	2	0
78	7203-16092B	Bracket Assy (70-78)	1	0	1	0	2	0	2	0
79	7203-16108B	Auxiliary Roller Assy (8-11)	1	0	1	0	2	0	2	0
80	7203-16086C	Ductor Roller Assy (39-43)	1	0	1	0	2	0	2	0
81	7203-06031A	Ductor Frame Spreader Assy (45, 46)	1	0	1	0	2	0	2	0
82	7203-06003C	Ductor Frame Shaft Assy (35-39, 44-59)	1	0	1	0	2	0	2	0
83	7203-16441	Bushing	2	0	2	0	4	0	4	0
84	117-483	Screw	2	2	2	2	4	4	4	4
85	180-108	Lock Washer	2	2	2	2	4	4	4	4
86	7203-16008	Motor Bracket	0	0	0	0	1	1	1	1
87	7203-16009	Motor Bracket	1	1	1	1	1	1	1	1
88	125-710	Screw	2	0	2	0	4	0	4	0
89	184-105	Flat Washer	2	0	2	0	4	0	4	0
90	7203-16060	Tray	1	0	1	0	2	0	2	0
91	7203-16087	Shaft (1P)	0	0	0	0	1	0	1	0
92	7203-16059	Link (1P)	0	0	0	0	1	0	1	0
93	7203-16089A	Lever (1P)	0	0	0	0	1	0	1	0



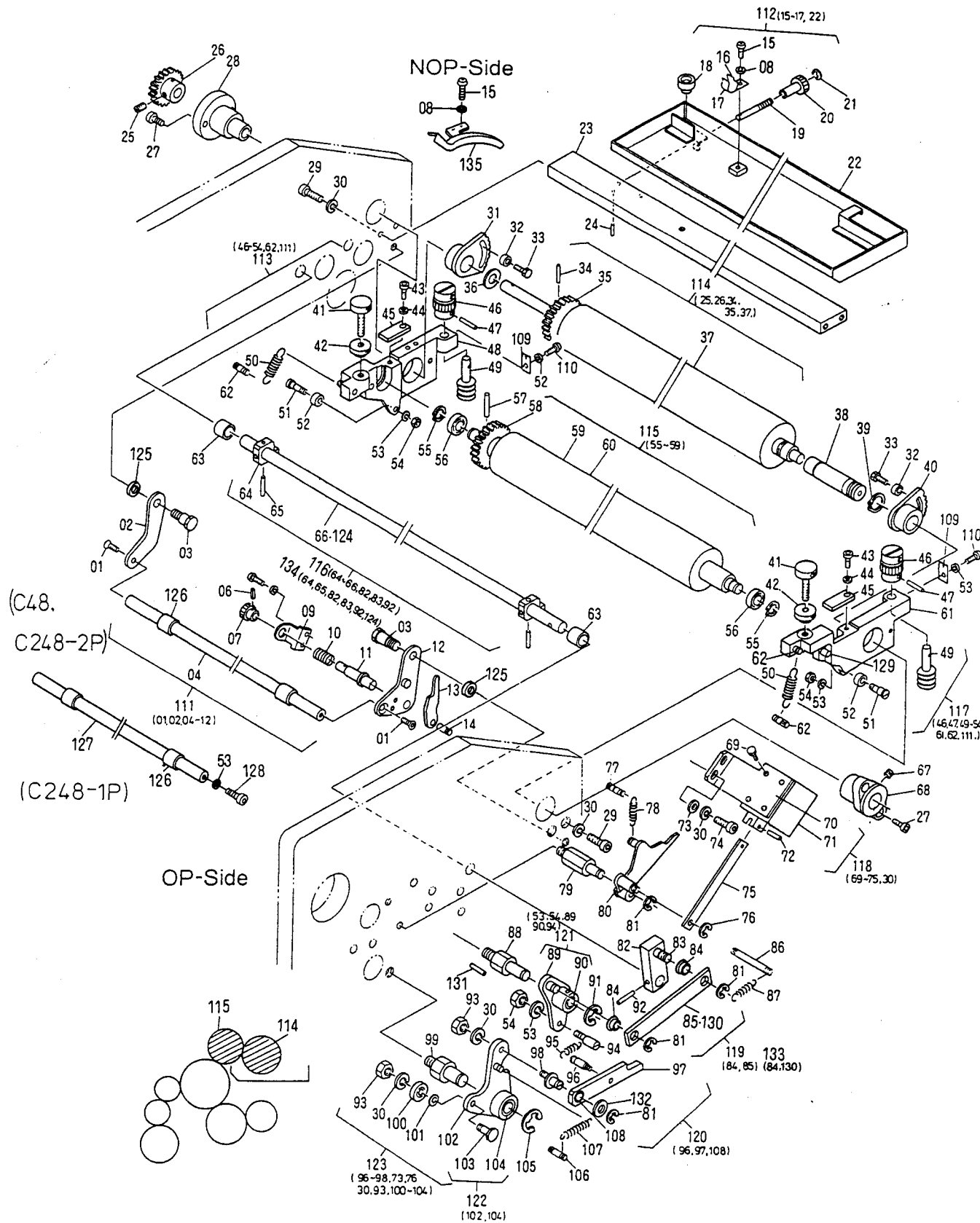
Dampening Section
Distributor Roller and Dampening Form Roller

INDEX No.	Parts No.	Description (Remarks)	Unit Per Assy							
			C48	C48L	C48SF	-SF C48L	C248E	C248L	-SF C248E	-SF C248L
01	I01-39-3	Oscillating Roller Drive Cam	1	0	1	0	2	0	2	0
02	183-205	Roll Pin	1	0	1	0	2	0	2	0
03	122-130	Screw	6	0	6	0	12	0	12	0
04	7203-16056	Flange	2	0	2	0	4	0	4	0
05	7203-16076	Flange	2	0	2	0	4	0	4	0
06	183-226	Roll Pin	1	0	1	0	2	0	2	0
07	7203-16106	Collar	1	0	1	0	2	0	2	0
08	7203-16101	Oscillating Roller (58.8 ø)	1	0	1	0	2	0	2	0
09	5101-05029	Roll Pin	1	0	1	0	2	0	2	0
10	7203-16068	Gear	1	0	1	0	2	0	2	0
11	122-110	Screw	4	4	4	4	4	4	4	4
12	7203-16066A	Lever (2P)	1	1	1	1	1	1	1	1
13	5803-04125	Stud	2	2	2	2	2	2	2	2
14	7203-16083	Block	2	2	2	2	2	2	2	2
15	7203-16058	Roller Guide Shaft (2P)	1	1	1	1	1	1	1	1
16	125-656	Screw	2	2	2	2	2	2	2	2
17	183-140	Roll Pin	1	1	1	1	1	1	1	1
18	180-104	Lock Washer	4	4	4	4	4	4	4	4
19	7203-16064	Bracket	1	1	1	1	1	1	1	1
20	5204-05010	Spring	1	1	1	1	1	1	1	1
21	7203-16063	Pin	1	1	1	1	1	1	1	1
22	7203-16065A	Lever	1	1	1	1	1	1	1	1
23	7203-03018	Shaft (for ø9)	1	0	1	0	2	0	2	0
24	7203-03004	Form Roller Shaft (ø9)	1	0	1	0	2	0	2	0
25	7203-16085A	Form Roller (ø49 - for ø9)	1	0	1	0	2	0	2	0
26	7203-16097	New Moll	1	0	1	0	2	0	2	0
27	183-151	Roll Pin (for ø9)	1	0	1	0	2	0	2	0
28	I03-48-3	Bearing (BRG. 629LL) Included in 25, 116 (for ø9)	2	0	2	0	4	0	4	0
29	I03-49-3	Bearing Spacer Included in 25, 116 (for ø9)	2	0	2	0	4	0	4	0
30	7203-16029	Shaft (for ø9)	1	0	1	0	2	0	2	0
31	181-030	C-Ring	1	0	1	0	2	0	2	0
32	7203-05034	Bearing (BRG. 68087Z)	2	0	2	0	4	0	4	0
33	7203-05028	Gear	1	0	1	0	2	0	2	0
34	7203-05027	Flange	1	0	1	0	2	0	2	0
35	117-520	Screw	3	0	3	0	6	0	6	0
36	181-406	E-Ring	5	0	5	0	10	0	10	0
37	7203-16057	Collar	2	0	2	0	4	0	4	0
38	7203-16102	Pin	2	0	2	0	4	0	4	0
39	7203-16051	Bracket (2P - for ø9)	1	0	1	0	1	0	1	0
40	I01-525.5	Screw	1	0	1	0	2	0	2	0
41	145-508	Set Screw	2	0	2	0	4	0	4	0
42	5803-12031	Pin	2	0	2	0	4	0	4	0
43	5803-12032	Spacer (2P)	2	0	2	0	2	0	2	0
44	7203-16078	Spring (2P)	2	0	2	0	2	0	2	0
45	7203-16039	Shaft	2	0	2	0	4	0	4	0
46	7203-16040	Block	2	0	2	0	4	0	4	0
47	117-530	Screw	4	0	4	0	8	0	8	0
48	7203-16036	Adjusting Knob	2	0	2	0	4	0	4	0
49	5803-12037	Flat Spring	2	0	2	0	4	0	4	0
50	125-655	Screw	2	0	2	0	4	0	4	0
51	7203-16075	Bushing	2	0	2	0	4	0	4	0
52	5803-04089	Screw	2	0	2	0	4	0	4	0
53	4808-04029	Pin	1	0	1	0	2	0	2	0
54	5202-11036	Spring	1	0	1	0	2	0	2	0
55	7203-16032A	Release Lever	1	0	1	0	2	0	2	0
56	181-404	E-Ring	1	0	1	0	2	0	2	0
57	7203-16027	Link	1	0	1	0	2	0	2	0
58	E09-25-3	Solenoid	1	0	1	0	2	0	2	0
59	183-181	Roll Pin	1	0	1	0	2	0	2	0
60	7203-06013	Solenoid Bracket	1	0	1	0	2	0	2	0
61	180-103	Lock Washer	4	0	4	0	8	0	8	0
62	125-606	Screw	4	0	4	0	8	0	8	0
63	184-105	Flat Washer	2	0	2	0	4	0	4	0
64	180-105	Lock Washer	3	0	3	0	6	0	6	0
65	117-512	Screw	2	0	2	0	4	0	4	0
66	170-106	Nut	3	0	3	0	6	0	6	0
67	180-106	Lock Washer	3	0	3	0	6	0	6	0
68	7203-16049	Pin	1	0	1	0	2	0	2	0
69	184-108	Flat Washer	2	0	2	0	4	0	4	0
70	223-0620.01	Pin	1	0	1	0	2	0	2	0



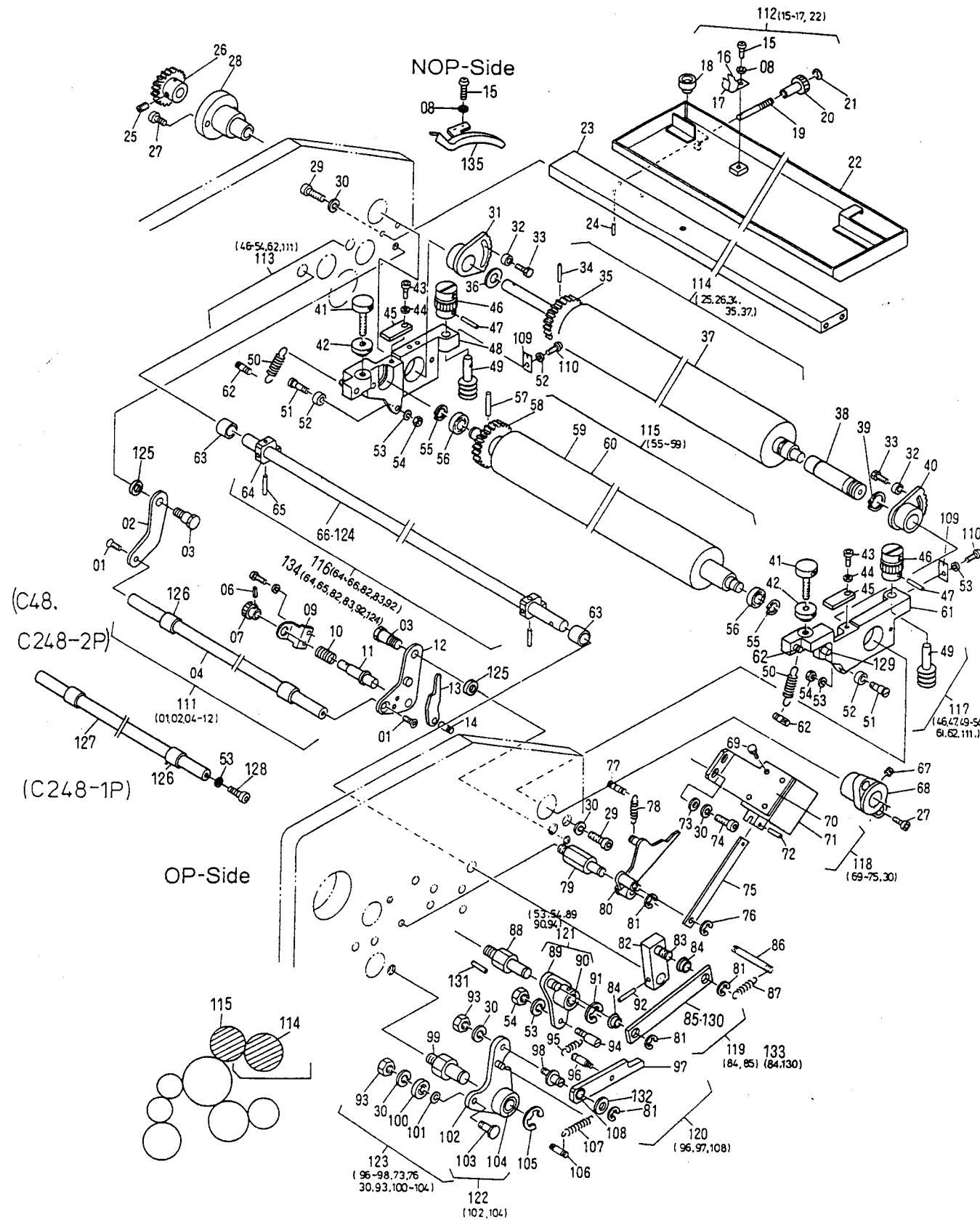
Dampening Section
Distributor Roller and Dampening Form Roller

INDEX No.	Parts No.	Description (Remarks)	Unit Per Assy							
			C48	C48L	C48SF	-SF C48L	C248E	C248L	-SF C248E	-SF C248L
71	5803-05011	Hook	1	0	1	0	2	0	2	0
72	7203-16031	Link	1	0	1	0	2	0	2	0
73	7203-16047	Pin	1	0	1	0	2	0	2	0
74	170-105	Nut	1	0	1	0	2	0	2	0
75	7203-16041	Pin	1	0	1	0	2	0	2	0
76	181-410	E-Ring	1	0	1	0	2	0	2	0
77	A03-31-3	Bushing	1	0	1	0	2	0	2	0
78	7203-16046	Stud	1	0	1	0	2	0	2	0
79	U12-65-01-3	Spring	1	0	1	0	2	0	2	0
80	250-126.6	Bearing (BRG. 626ZZ)	1	0	1	0	2	0	2	0
81	184-106.4	Flat Washer	1	0	1	0	2	0	2	0
82	CK08-07	Pin	1	0	1	0	2	0	2	0
83	223-0640.01	Pin	1	0	1	0	2	0	2	0
84	7203-16025A	Lever (2P)	1	0	1	0	1	0	1	0
85	5803-03005	Pin	1	0	1	0	2	0	2	0
86	7203-16030	Shaft	1	0	1	0	2	0	2	0
87	5803-03033	Form Roller Handle	1	0	1	0	2	0	2	0
88	145-356	Set Screw	2	0	2	0	4	0	4	0
89	145-512	Set Screw	2	2	2	2	2	2	2	2
90	7203-06021	Stud	1	0	1	0	2	0	2	0
91	7203-16050	Bracket (2P - for ø9)	1	0	1	0	1	0	1	0
92	7203-16062	Knob	1	1	1	1	1	1	1	1
93	7203-16031B	Link Assy (72-72)	1	0	1	0	2	0	2	0
94	7203-16025B	Lever Assy (2P) (70-75,77,80-82,84)	1	0	1	0	1	0	1	0
95	7203-16058A	Roller Guide Shaft Assy (2P) (12,14-22,89,92)	1	0	1	0	1	0	1	0
96	7203-16101A	Oscillating Roller Assy (6-10)	1	0	1	0	2	0	2	0
97	7203-16029A	Form Roller Shaft Assy (24,30)	1	0	1	0	2	0	2	0
98	7203-05028B	Gear Assy (32,33)	1	0	1	0	2	0	2	0
99	7203-05028A	Gear Assy (31,34,35,98)	1	0	1	0	2	0	2	0
100	7203-16085A	Form Roller Assy (25,28,29)	1	0	1	0	2	0	2	0
101	103-30-3	Spring	1	0	1	0	2	0	2	0
102	7203-16427	Bracket (1P - for ø9)	0	0	0	0	1	0	1	0
103	7203-16426	Bracket (1P - for ø9)	0	0	0	0	1	0	1	0
104	7203-16053	Roller Guide Shaft (1P)	0	0	0	0	1	0	1	0
105	7203-16419	Plate Guide	2	0	2	0	4	0	4	0
106	170-108	Nut	2	0	2	0	2	0	2	0
107	180-108	Lock Washer	2	0	2	0	2	0	2	0
108	5102-03127	Pin	1	0	1	0	2	0	2	0
109	7203-16313	Bracket (2P - for ø12)	1	0	1	0	1	0	1	0
110	7203-16425	Bracket (1P - for ø12)	0	0	0	0	1	0	1	0
111	7203-16035	Spring (1P)	0	0	0	0	2	0	2	0
112	7203-16077	Spacer (1P)	0	0	0	0	2	0	2	0
113	7203-16447	Shaft (for ø12)	1	0	1	0	2	0	2	0
114	7203-16446	Form Roller Shaft (ø12)	1	0	1	0	2	0	2	0
115	7203-16448A	Form Roller (ø49 - for ø12)	1	0	(1)	0	(2)	0	(2)	0
116	7203-16406A	Form Roller (3M - for ø9)	(1)	0	(1)	0	(2)	0	(2)	0
117	7203-16456A	Form Roller (3M - for ø12)	(1)	0	(1)	0	(2)	0	(2)	0
118	7203-16407	Dampening Sleeve (3M)	(1)	0	(1)	0	(2)	0	(2)	0
119	183-153	Roll Pin (for ø12)	1	0	1	0	2	0	2	0
120	250-001.7	Bearing (for ø12) Included in 115, 117	2	0	2	0	4	0	4	0
121	7203-16332	Bearing Spacer (for ø12) Included in 115, 117	2	0	2	0	4	0	4	0
122	7203-16445	Shaft (for ø12)	1	0	1	0	2	0	2	0
123	7203-16312	Bracket (2P - for ø12)	1	0	1	0	1	0	1	0
124	7203-16424	Bracket (1P - for ø12)	0	0	0	0	1	0	1	0
125	7203-16028A	Lever (1P)	0	0	0	0	1	0	1	0
126	7203-16028B	Lever Assy (1P) (70-75,77,80-82,125)	0	0	0	0	1	0	1	0
127	7203-16445A	Form Roller Shaft Assy (ø12) (114, 122)	1	0	1	0	2	0	2	0
128	7203-16448A	Form Roller Assy (for ø12)	1	0	1	0	2	0	2	0
129	7203-16406A	Form Roller Assy (3M - for ø9)	1	0	1	0	2	0	2	0
130	7203-16456A	Form Roller Assy (3M - for ø12)	1	0	1	0	2	0	2	0
131	7205-02155	Screw	0	0	0	0	2	0	2	0
132	7205-02083	Cover	0	0	0	0	1	0	1	0



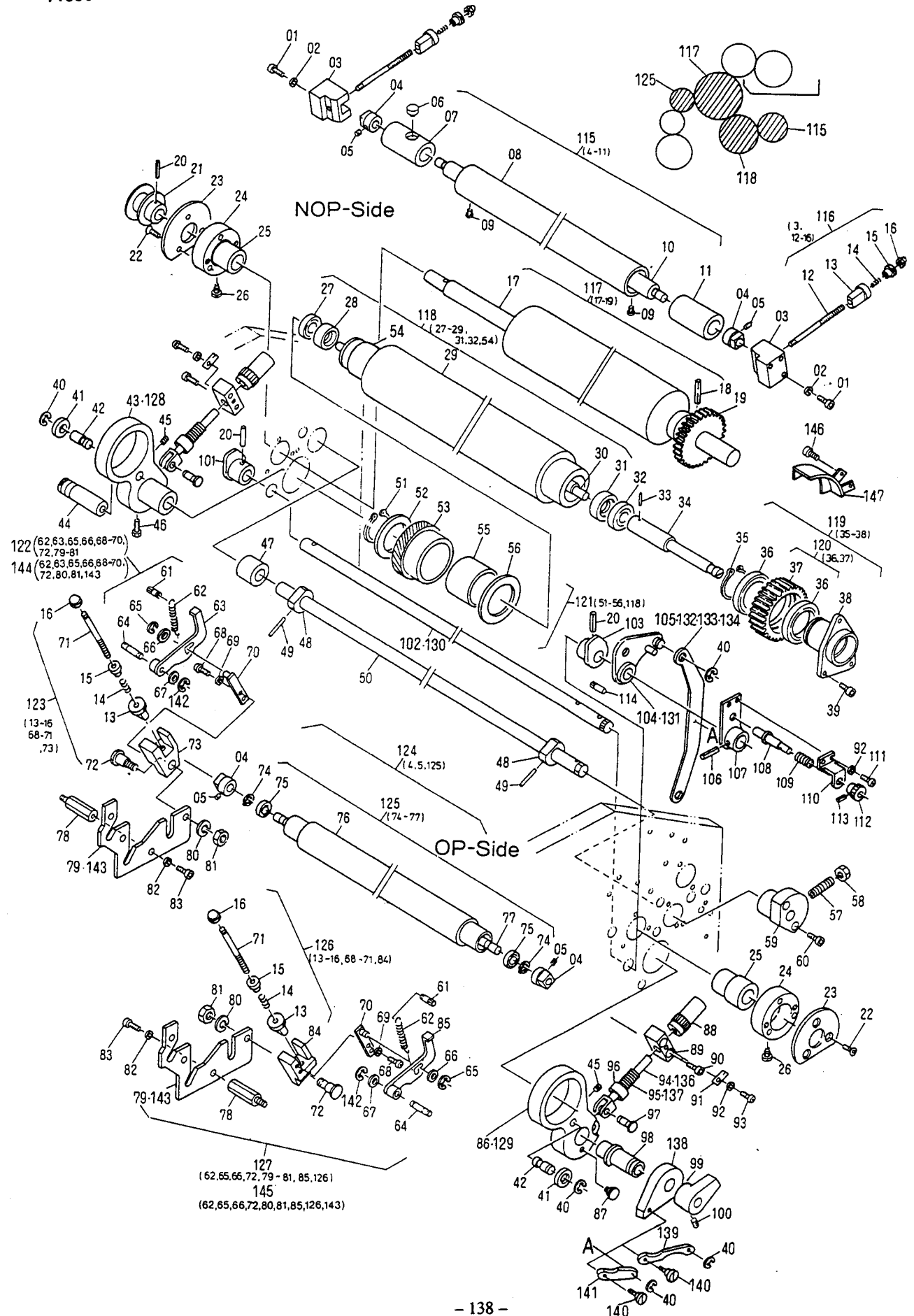
Dampening Section (H. W. M.)
Doctor Roller and Dampening Fountain Roller

INDEX No.	Parts No.	Description (Remarks)	Unit Per Assy							
			C48	C48L	C48SF	-SF C48L	C248E	C248L	-SF C248E	-SF C248L
01	122-110	Screw	0	2	0	2	0	2	0	2
02	7203-16429	Lever (2P)	0	1	0	1	0	1	0	1
03	7203-16372	Stud (2P)	0	2	0	2	0	2	0	2
04	7203-16430	Roller Guide Shaft (2P)	0	1	0	1	0	1	0	1
05	125-656	Screw	0	2	0	2	0	2	0	2
06	183-140	Roll Pin	0	1	0	1	0	1	0	1
07	7203-16062	Knob (2P)	0	1	0	1	0	1	0	1
08	180-104.01	Lock Washer	0	3	0	3	0	4	0	4
09	7203-16064	Bracket (2P)	0	1	0	1	0	1	0	1
10	5204-05010	Spring (2P)	0	1	0	1	0	1	0	1
11	7203-16063	Pin (2P)	0	1	0	1	0	1	0	1
12	7203-16428A	Lever (2P)	0	1	0	1	0	1	0	1
13	7203-16367	Bracket (2P)	0	1	0	1	0	1	0	1
14	225-0620.01	Pin (2P)	0	1	0	1	0	1	0	1
15	125-655.01	Screw	0	1	0	1	0	2	0	2
16	7203-16386	Flat Spring	0	1	0	1	0	2	0	2
17	7203-16385	Flat Spring	0	1	0	1	0	2	0	2
18	7203-16393	Cap	0	1	0	1	0	2	0	2
19	7203-16006	Holder Stem	0	2	0	2	0	4	0	4
20	7203-16005	Thumb Nut	0	2	0	2	0	4	0	4
21	181-403	E-Ring	0	2	0	2	0	4	0	4
22	7203-16317	Dampening Fountain Tray	0	1	0	1	0	2	0	2
23	7203-16002	Fountain Tray Spreader	0	1	0	1	0	2	0	2
24	183-166	Roll Pin	0	2	0	2	0	4	0	4
25	145-505	Set Screw	0	1	0	1	0	2	0	2
26	6503-12506	Gear	0	1	0	1	0	2	0	2
27	117-510	Screw	0	4	0	4	0	8	0	8
28	7203-16321	Fountain Roller Bushing	0	1	0	1	0	2	0	2
29	170-380	Screw	0	4	0	4	0	8	0	8
30	180-106	Lock Washer	0	8	0	8	0	12	0	12
31	7203-16319	Adjustment Sector	0	1	0	1	0	2	0	2
32	X10-29-3	Spacer	0	2	0	2	0	4	0	4
33	101-520	Screw	0	2	0	2	0	4	0	4
34	EM04-66	Roll Pin	0	1	0	1	0	2	0	2
35	7203-16320	Gear	0	1	0	1	0	2	0	2
36	7203-16325	Thrust Washer	0	1	0	1	0	2	0	2
37	7203-16302	Dampening Fountain Roller	0	1	0	1	0	2	0	2
38	7203-16371	Fountain Roller Bushing	0	1	0	1	0	2	0	2
39	181-016	C-Ring	0	1	0	1	0	2	0	2
40	7203-16318	Adjustment Sector	0	1	0	1	0	2	0	2
41	7203-16397	Thumb Screw	0	2	0	2	0	4	0	4
42	H10-43-01-3	Nut	0	2	0	2	0	4	0	4
43	117-512.01	Screw	0	2	0	2	0	4	0	4
44	180-105.01	Lock Washer	0	2	0	2	0	4	0	4
45	7203-16324	Roller Follower Retainer	0	2	0	2	0	4	0	4
46	7203-16322	Adjustment Knob	0	2	0	2	0	4	0	4
47	183-185	Roll Pin	0	2	0	2	0	4	0	4
48	7203-16364A	Roller Holder	0	1	0	1	0	2	0	2
49	7203-16323	Adjustment Worm	0	2	0	2	0	4	0	4
50	7203-16362	Spring	0	2	0	2	0	4	0	4
51	KC02-43	Screw	0	2	0	2	0	4	0	4
52	R51-20-3	Spacer	0	2	0	2	0	4	0	4
53	180-105	Lock Washer	0	5	0	5	0	10	0	10
54	170-105	Nut	0	3	0	3	0	6	0	6
55	181-010	C-Ring	0	2	0	2	0	4	0	4
56	7203-16395	Bearing (BRG. 6800LLV)	0	2	0	2	0	4	0	4
57	183-207	Roll Pin	0	1	0	1	0	2	0	2
58	7203-16326	Gear	0	1	0	1	0	2	0	2
59	7203-16303	Doctor Roller	0	1	0	1	0	2	0	2
60	7203-16392	Roller Cover	0	1	0	1	0	2	0	2
61	7203-16363A	Roller Holder	0	1	0	1	0	2	0	2
62	223-0620.01	Pin	0	4	0	4	0	8	0	8
63	M02-10-02-3	Bushing	0	2	0	2	0	4	0	4
64	7203-16338	Lever	0	2	0	2	0	4	0	4
65	182-165	Taper Pin	0	2	0	2	0	2	0	2
66	7203-16311	Shaft (2P)	0	1	0	1	0	1	0	1
67	145-508	Set Screw	0	1	0	1	0	2	0	2
68	7203-16010	Fountain Roller Bushing	0	1	0	1	0	2	0	2
69	101-408	Screw	0	4	0	4	0	8	0	8
70	7203-16361	Solenoid Bracket	0	1	0	1	0	2	0	2



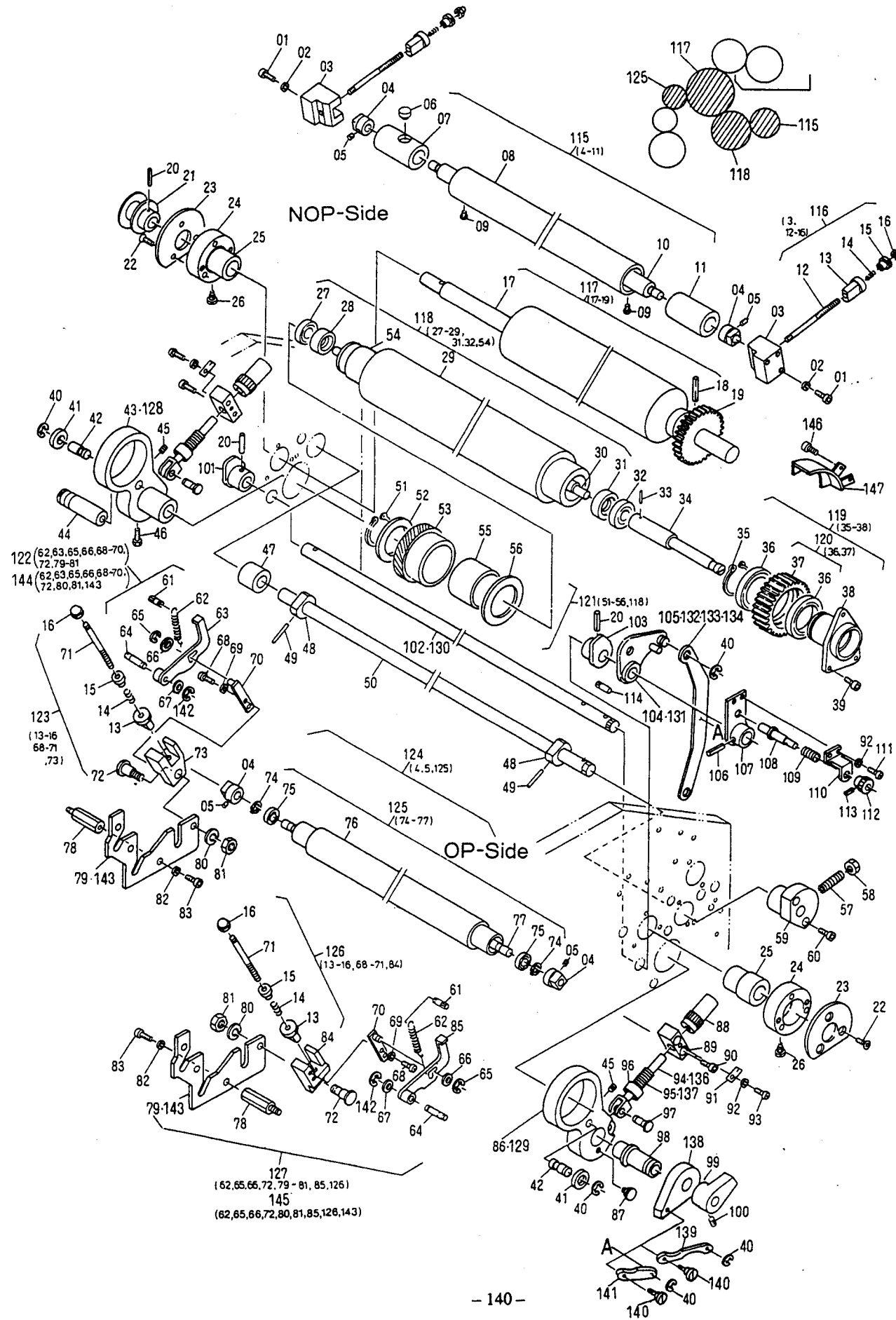
Dampening Section (H. W. M.)
Doctor Roller and Dampening Fountain Roller

INDEX No.	Parts No.	Description (Remarks)	Unit Per Assy							
			C48	C48L	C48SF	-SF C48L	C248E	C248L	-SF C248E	-SF C248L
71	E09-25-3	Solenoid	0	1	0	1	0	2	0	2
72	183-181	Roll Pin	0	1	0	1	0	2	0	2
73	184-106	Flat Washer	0	3	0	3	0	6	0	6
74	117-362	Screw	0	2	0	2	0	4	0	4
75	7203-16357	Link	0	1	0	1	0	2	0	2
76	181-404	E-Ring	0	1	0	1	0	2	0	2
77	7203-16355	Pin	0	1	0	1	0	2	0	2
78	R11-60-3	Spring	0	1	0	1	0	2	0	2
79	7203-16354	Stud	0	1	0	1	0	2	0	2
80	7203-16356A	Lever	0	1	0	1	0	2	0	2
81	181-406	E-Ring	0	3	0	3	0	6	0	6
82	7203-16346A	Lever	0	1	0	1	0	2	0	2
83	7203-16347	Pin	0	1	0	1	0	2	0	2
84	7203-08029	Bushing	0	2	0	2	0	4	0	4
85	7203-16349	Link (2P)	0	1	0	1	0	1	0	1
86	4808-04029	Pin	0	1	0	1	0	2	0	2
87	5802-10125	Spring	0	1	0	1	0	2	0	2
88	7203-16350	Stud	0	1	0	1	0	2	0	2
89	7203-16351A	Lever	0	1	0	1	0	2	0	2
90	243-615	Bushing	0	1	0	1	0	2	0	2
91	181-408	E-Ring	0	1	0	1	0	2	0	2
92	182-164	Taper Pin	0	1	0	1	0	2	0	2
93	170-106	Nut	0	2	0	2	0	4	0	4
94	7203-16041	Eccentric Pin	0	1	0	1	0	2	0	2
95	R11-60-01-3	Spring	0	1	0	1	0	2	0	2
96	F44-58-3	Pin	0	1	0	1	0	2	0	2
97	7203-16352	Lever	0	1	0	1	0	2	0	2
98	7203-16047	Eccentric Pin	0	1	0	1	0	2	0	2
99	7203-16046	Stud	0	1	0	1	0	2	0	2
100	250-126.6	Bearing (BRG. 626ZZ)	0	1	0	1	0	2	0	2
101	184-106.4	Flat Washer	0	1	0	1	0	2	0	2
102	7203-16353A	Lever	0	1	0	1	0	2	0	2
103	CK08-07	Pin	0	1	0	1	0	2	0	2
104	A03-31-3	Bushing	0	1	0	1	0	2	0	2
105	181-410	E-Ring	0	1	0	1	0	2	0	2
106	223-0640.01	Pin	0	1	0	1	0	2	0	2
107	4808-07070	Spring	0	1	0	1	0	2	0	2
108	5803-05011	Bushing	0	1	0	1	0	2	0	2
109	5101-10107	Flat Spring	0	2	0	2	0	4	0	4
110	125-708	Screw	0	2	0	2	0	4	0	4
111	7203-16430A	Roller Guide Shaft Assy (2P) (1, 2, 4 ~ 12)	0	1	0	1	0	1	0	1
112	7203-16317A	Dampening Fountain Tray Assy (15 ~ 17, 22)	0	1	0	1	0	2	0	2
113	7203-16364A	Roller Holder Assy (46 ~ 54, 62, 111)	0	1	0	1	0	2	0	2
114	7203-16302A	Dampening Fountain Roller Assy (25, 26, 34, 35, 37)	0	1	0	1	0	2	0	2
115	7203-16303A	Doctor Roller Assy (55 ~ 59)	0	1	0	1	0	2	0	2
116	7203-16311A	Night Latch Assy (2P) (64 ~ 66, 82, 83, 92)	0	1	0	1	0	1	0	1
117	7203-16363A	Roller Holder Assy (46, 47, 49-54, 61, 62, 111)	0	1	0	1	0	2	0	2
118	7203-16361A	Solenoid Assy (30, 69-75)	0	1	0	1	0	2	0	2
119	7203-16349A	Link Assy (2P) (84, 85)	0	1	0	1	0	1	0	1
120	7203-16352A	Lever Assy (96, 97, 108)	0	1	0	1	0	2	0	2
121	7203-16351B	Lever Assy (53, 54, 89, 90, 94)	0	1	0	1	0	2	0	2
122	7203-16353C	Lever Assy (102, 104)	0	1	0	1	0	2	0	2
123	7203-16353C	Lever Assy (30, 73, 76, 93, 96-98, 100-104)	0	1	0	1	0	2	0	2
124	7203-16310	Shaft (1P)	0	0	0	0	0	1	0	1
125	A19-52-3	Spacer	0	1	0	1	0	1	0	1
126	7203-16419	Plate Guard	0	2	0	2	0	4	0	4
127	7203-16053	Roller Guide Shaft	0	0	0	0	0	1	0	1
128	117-530	Screw	0	0	0	0	0	2	0	2
129	225-0616.01	Pin	0	1	0	1	0	2	0	2
130	7203-16348	Link (1P)	0	0	0	0	0	1	0	1
131	183-249	Roll Pin	0	1	0	1	0	2	0	2
132	184-108	Washer	0	1	0	1	0	2	0	2
133	7203-16348A	Link Assy (1P) (84, 130)	0	0	0	0	0	1	0	1
134	7203-16310A	Night Latch Assy (1P) (64, 65, 82, 83, 92, 124)	0	0	0	0	0	1	0	1
135	7205-02137	Cover	0	1	0	1	0	2	0	2



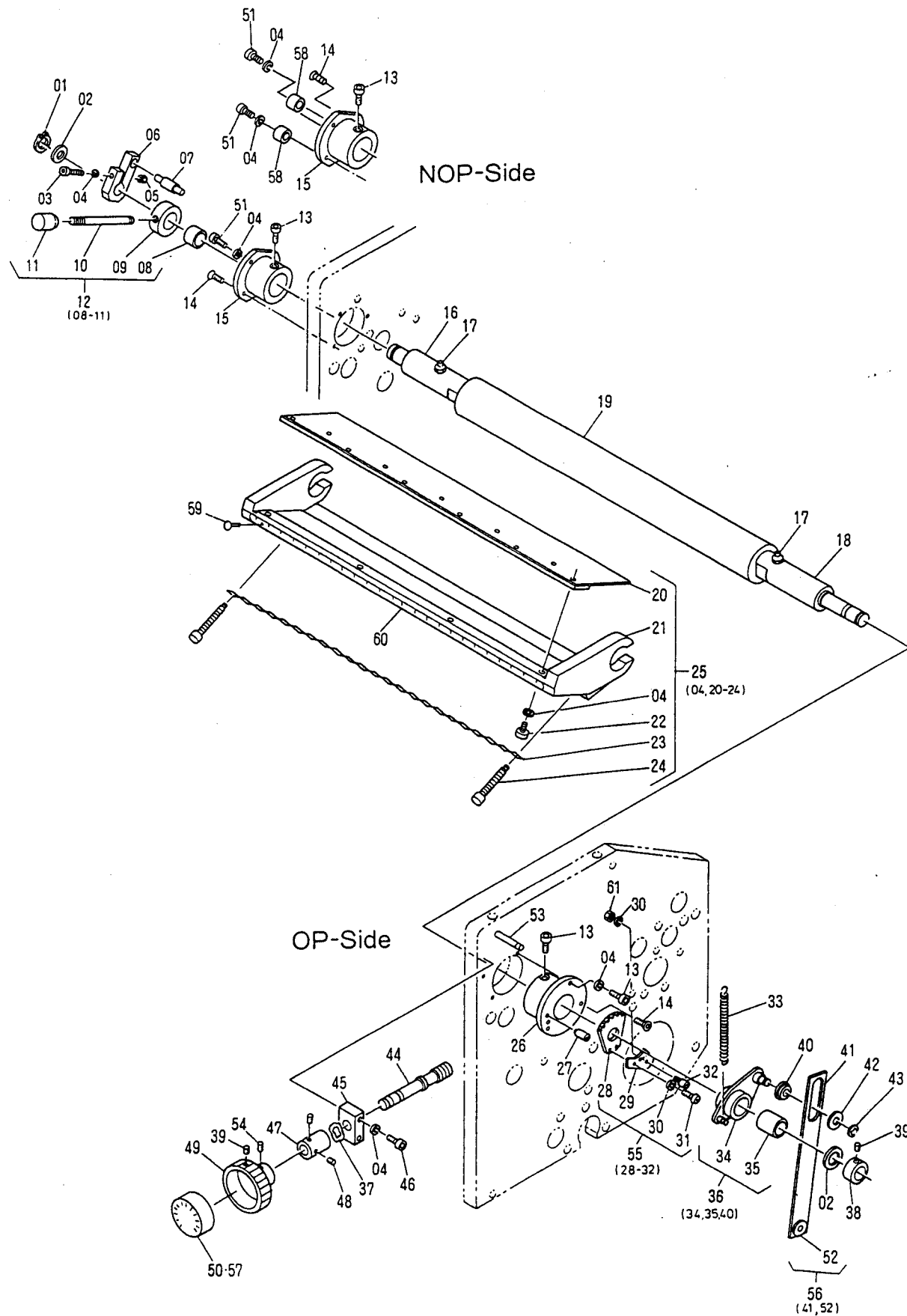
Dampening Section (H. W. M)
Distributor Roller, Auxiliary Roller and Dampening Form Roller

INDEX No.	Parts No.	Description (Remarks)	Unit Per Assy							
			C48	C48L	C48SF	-SF C48L	C248E	C248L	-SF C248E	-SF C248L
01	117-530	Screw	0	4	0	4	0	8	0	8
02	180-105	Lock Washer	0	4	0	4	0	8	0	8
03	7203-16330	Roller Holder	0	2	0	2	0	4	0	4
04	7203-16331	Guide Bracket	0	4	0	4	0	8	0	8
05	145-404	Set Screw	0	4	0	4	0	8	0	8
06	7203-16387	Worm Cam Follower	0	1	0	1	0	2	0	2
07	7203-16388	Housing for Oscillating Mechanism	0	1	0	1	0	2	0	2
08	7203-16443	Dampening Distributor Roller Shell	0	1	0	1	0	2	0	2
09	7203-16396	Screw	0	2	0	2	0	4	0	4
10	7203-16307	Dampening Distributor Roller Shaft	0	1	0	1	0	2	0	2
11	7203-16389	Dampening Distributor Roller Bushing	0	1	0	1	0	2	0	2
12	7203-16337	Holder Stem	0	2	0	2	0	4	0	4
13	R01-13-3	Roller Holder	0	4	0	4	0	8	0	8
14	R01-14-3	Spring	0	4	0	4	0	8	0	8
15	R01-15-3	Thumb Nut	0	4	0	4	0	8	0	8
16	R01-16-3	Cap Nut	0	4	0	4	0	8	0	8
17	7203-16301	Dampening Distributor Roller	0	1	0	1	0	2	0	2
18	5101-05029	Roll Pin	0	1	0	1	0	2	0	2
19	7203-16068	Gear	0	1	0	1	0	2	0	2
20	183-205	Roll Pin	0	3	0	3	0	6	0	6
21	I01-39-3	Oscillating Roller Drive Cam	0	1	0	1	0	2	0	2
22	122-130	Screw	0	6	0	6	0	12	0	12
23	7203-16056	Flange	0	2	0	2	0	4	0	4
24	7203-16076	Flange	0	2	0	2	0	4	0	4
25	7203-16075	Bushing	0	2	0	2	0	4	0	4
26	5803-04089	Screw	0	2	0	2	0	4	0	4
27	250-151.7	Bearing (BRG. 69011.L.U)	0	1	0	1	0	2	0	2
28	7203-16333	Bearing Spacer	0	1	0	1	0	2	0	2
29	7203-16305A	Dampening Form Roller Shell	0	1	0	1	0	2	0	2
30	7203-16308	Dampening Form Roller Shaft	0	1	0	1	0	2	0	2
31	7203-16332	Bearing Spacer	0	1	0	1	0	2	0	2
32	250-001.7	Bearing (BRG. 60011.L.V)	0	1	0	1	0	2	0	2
33	183-152	Roll Pin	0	1	0	1	0	2	0	2
34	7203-16370	Shaft	0	1	0	1	0	2	0	2
35	181-030	C-Ring	0	1	0	1	0	2	0	2
36	7203-05034	Bearing (BRG. 6806ZZ)	0	2	0	2	0	4	0	4
37	7203-05028	Gear	0	1	0	1	0	2	0	2
38	7203-05027	Flange	0	1	0	1	0	2	0	2
39	117-520	Screw	0	3	0	3	0	6	0	6
40	181-406	E-Ring	0	5	0	5	0	10	0	10
41	7203-16057	Collar	0	2	0	2	0	4	0	4
42	7203-16102	Pin	0	2	0	2	0	4	0	4
43	7203-16313	Bracket (2P)	0	1	0	1	0	1	0	1
44	7203-16339	Shaft	0	1	0	1	0	2	0	2
45	145-508	Set Screw	0	2	0	2	0	4	0	4
46	101-525	Screw	0	1	0	1	0	2	0	2
47	7203-16329	Bushing	0	1	0	1	0	2	0	2
48	7203-16327	Cam	0	2	0	2	0	4	0	4
49	183-186	Roll Pin	0	2	0	2	0	4	0	4
50	7203-16309	Shaft	0	1	0	1	0	2	0	2
51	181-030	C-Ring	0	1	0	1	0	2	0	2
52	7203-16360	Thrust Washer	0	1	0	1	0	2	0	2
53	7203-16358	Gear	0	1	0	1	0	2	0	2
54	7203-16391	Inner Sleeve	0	1	0	1	0	2	0	2
55	7203-16359	Bearing	0	1	0	1	0	2	0	2
56	7203-16390	Thrust Washer	0	1	0	1	0	2	0	2
57	I18-59-1A-3	Snubber	0	1	0	1	0	2	0	2
58	I18-60-3	Nut	0	1	0	1	0	2	0	2
59	7203-16328	Bushing	0	1	0	1	0	2	0	2
60	117-515	Screw	0	2	0	2	0	4	0	4
61	G07-51-1	Pin	0	2	0	2	0	4	0	4
62	X02-17-3	Spring	0	2	0	2	0	4	0	4
63	7203-16399A	Lever	0	1	0	1	0	2	0	2
64	224-0625.01	Pin	0	2	0	2	0	4	0	4
65	181-403	E-Ring	0	2	0	2	0	4	0	4
66	184-105	Flat Washer	0	2	0	2	0	4	0	4
67	184-108	Flat Washer	0	2	0	2	0	4	0	4
68	125-658.01	Screw	0	4	0	4	0	8	0	8
69	180-104.01	Lock Washer	0	4	0	4	0	8	0	8
70	7203-16344A	Lever	0	2	0	2	0	4	0	4

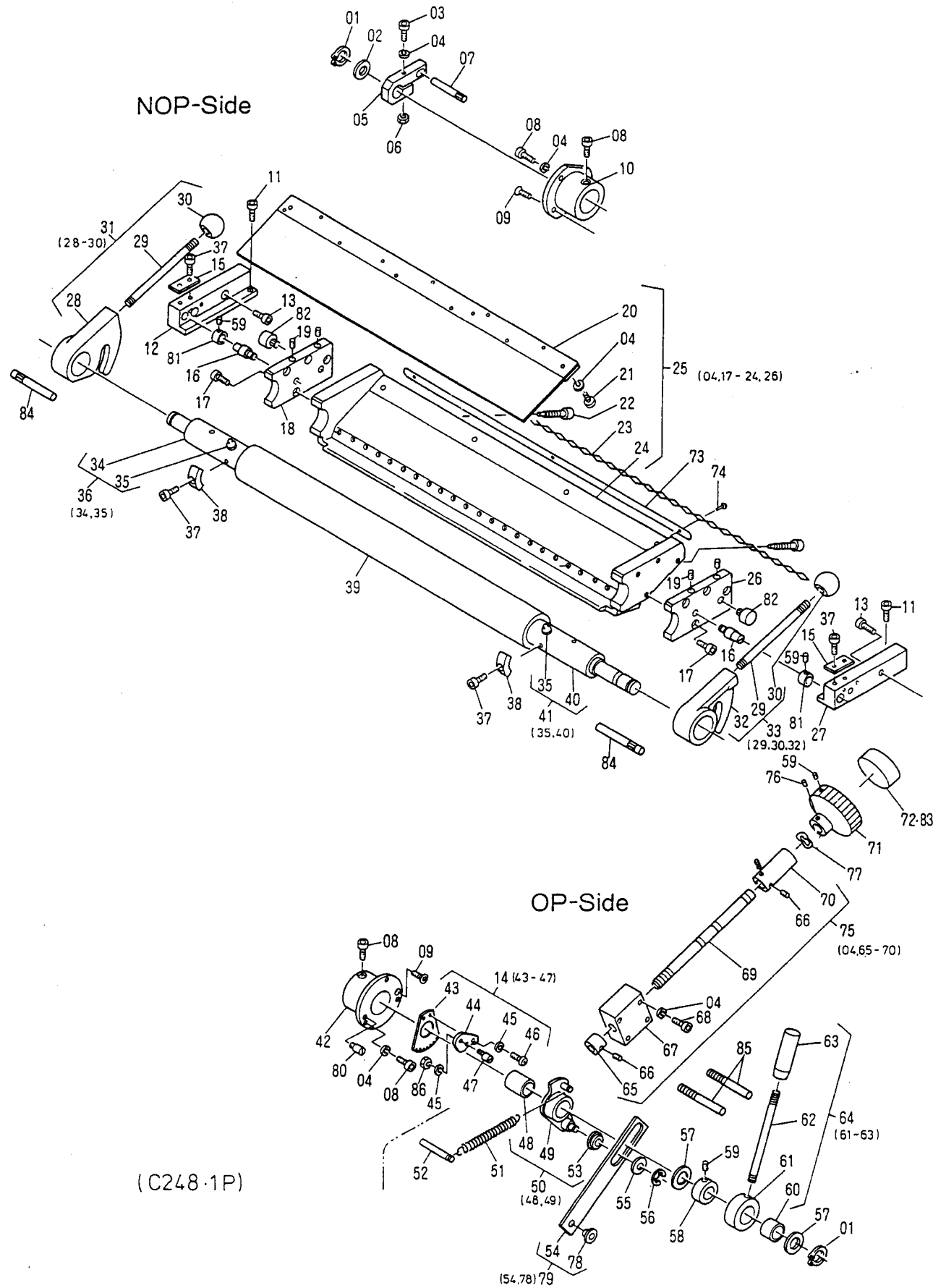


Dampening Section (H. W. M)
Distributor Roller, Auxilliary Roller and Dampening Form Roller

INDEX No.	Parts No.	Description (Remarks)	Unit Per Assy							
			C48	C48L	C48SF	SF C48L	C248E	C248L	SF C248E	SF C248L
71	R01-12-3	Holder Stem	0	2	0	2	0	4	0	4
72	5803-04125	Screw	0	2	0	2	0	4	0	4
73	7203-16341	Roller Holder	0	1	0	1	0	2	0	2
74	181-008	C-Ring	0	2	0	2	0	4	0	4
75	250-088.6	Bearing (BRG. 6887Z.)	0	2	0	2	0	4	0	4
76	7203-16401A	Auxiliary Roller Shell	0	1	0	1	0	2	0	2
77	7203-16402	Auxiliary Roller Shaft	0	1	0	1	0	2	0	2
78	7203-04021	Stud	0	6	0	6	0	12	0	12
79	7203-16314	Roller Bracket (2P)	0	2	0	2	0	2	0	2
80	180-108	Lock Washer	0	2	0	2	0	4	0	4
81	170-108	Nut	0	2	0	2	0	4	0	4
82	180-106	Lock Washer	0	6	0	6	0	12	0	12
83	117-365	Screw	0	6	0	6	0	12	0	12
84	7203-16340	Roller Holder	0	1	0	1	0	2	0	2
85	7203-16398A	Lever	0	1	0	1	0	2	0	2
86	7203-16312	Bracket (2P)	0	1	0	1	0	1	0	1
87	5803-03005	Pin	0	1	0	1	0	2	0	2
88	7203-16036	Adjustment Knob	0	2	0	2	0	4	0	4
89	7203-16040	Block	0	2	0	2	0	4	0	4
90	117-520	Screw	0	4	0	4	0	8	0	8
91	5803-12037	Flat Spring	0	2	0	2	0	4	0	4
92	180-104	Lock Washer	0	4	0	4	0	6	0	6
93	125-655	Screw	0	2	0	2	0	4	0	4
94	7203-16039	Shaft (2P)	0	2	0	2	0	2	0	2
95	7203-16078	Spring (2P)	0	2	0	2	0	2	0	2
96	5803-12032	Spacer	0	2	0	2	0	4	0	4
97	5803-12031	Pin	0	2	0	2	0	4	0	4
98	7203-16370	Shaft	0	1	0	1	0	2	0	2
99	5803-03033	Form Roller Handle	0	1	0	1	0	2	0	2
100	145-356	Set Screw	0	2	0	2	0	4	0	4
101	7203-16054A	Cam	0	1	0	1	0	2	0	2
102	7203-16088	Shaft (2P)	0	1	0	1	0	1	0	1
103	7203-16055A	Cam	0	1	0	1	0	2	0	2
104	7203-16090A	Lever (2P)	0	1	0	1	0	1	0	1
105	7203-16026	Link (2P)	0	1	0	1	0	1	0	1
106	183-206	Roll Pin	0	1	0	1	0	2	0	2
107	7203-16092A	Bracket	0	1	0	1	0	2	0	2
108	7203-16063	Pin	0	1	0	1	0	2	0	2
109	5204-05010	Spring	0	1	0	1	0	2	0	2
110	7203-16064	Bracket	0	1	0	1	0	2	0	2
111	125-656	Screw	0	2	0	2	0	4	0	4
112	7203-16062	Knob	0	1	0	1	0	2	0	2
113	183-140	Roll Pin	0	1	0	1	0	2	0	2
114	5102-03127	Pin	0	1	0	1	0	2	0	2
115	7203-16304A	Dampening Distributor Roller Assy (4-11)	0	1	0	1	0	2	0	2
116	7203-16330A	Roller Holder Assy (3, 12-16)	0	2	0	2	0	4	0	4
117	7203-16301A	Dampening Distributor Roller Assy (17-19)	0	1	0	1	0	2	0	2
118	7203-16305A	Dampening Form Roller Assy (27-29, 31, 32, 54)	0	1	0	1	0	2	0	2
119	7203-05028A	Gear Assy (35-38)	0	1	0	1	0	2	0	2
120	7203-05028B	Gear Assy (36, 37)	0	1	0	1	0	2	0	2
121	7203-16305B	Dampening Form Roller Assy (51-56, 118)	0	1	0	1	0	2	0	2
122	7203-16314B	Roller Holder Assy (62, 63, 65, 66, 68-70, 72, 79-81, 123)	0	1	0	1	0	1	0	1
123	7203-16341A	Roller Holder Assy (13-16, 68-71, 73)	0	1	0	1	0	2	0	2
124	7203-16401B	Auxiliary Roller Assy (4, 5, 125)	0	1	0	1	0	2	0	2
125	7203-16401A	Auxiliary Roller Assy (74-77)	0	1	0	1	0	2	0	2
126	7203-16340A	Roller Holder Assy (13-16, 68-71, 84)	0	1	0	1	0	2	0	2
127	7203-16314A	Roller Holder Assy (63, 65, 66, 72, 79-81, 85, 126)	0	1	0	1	0	1	0	1
128	7203-16425	Bracket (1P)	0	0	0	0	0	1	0	1
129	7203-16424	Bracket (1P)	0	0	0	0	0	1	0	1
130	7203-16087	Shaft (1P)	0	0	0	0	0	1	0	1
131	7203-16089A	Lever (1P)	0	0	0	0	0	1	0	1
132	7203-16059	Link (1P)	0	0	0	0	0	1	0	1
133	7203-16451A	Link (2P)	0	1	0	1	0	1	0	1
134	7203-16449A	Link (1P)	0	0	0	0	0	1	0	1
136	7203-16035	Shaft (2P)	0	0	0	0	0	2	0	2
137	7203-16077	Spring (2P)	0	0	0	0	0	2	0	2
138	7203-16454	Lever	0	1	0	1	0	2	0	2
139	7203-16450	Link (1P)	0	0	0	0	0	1	0	1
140	7203-16453	Pin	0	1	0	1	0	2	0	2

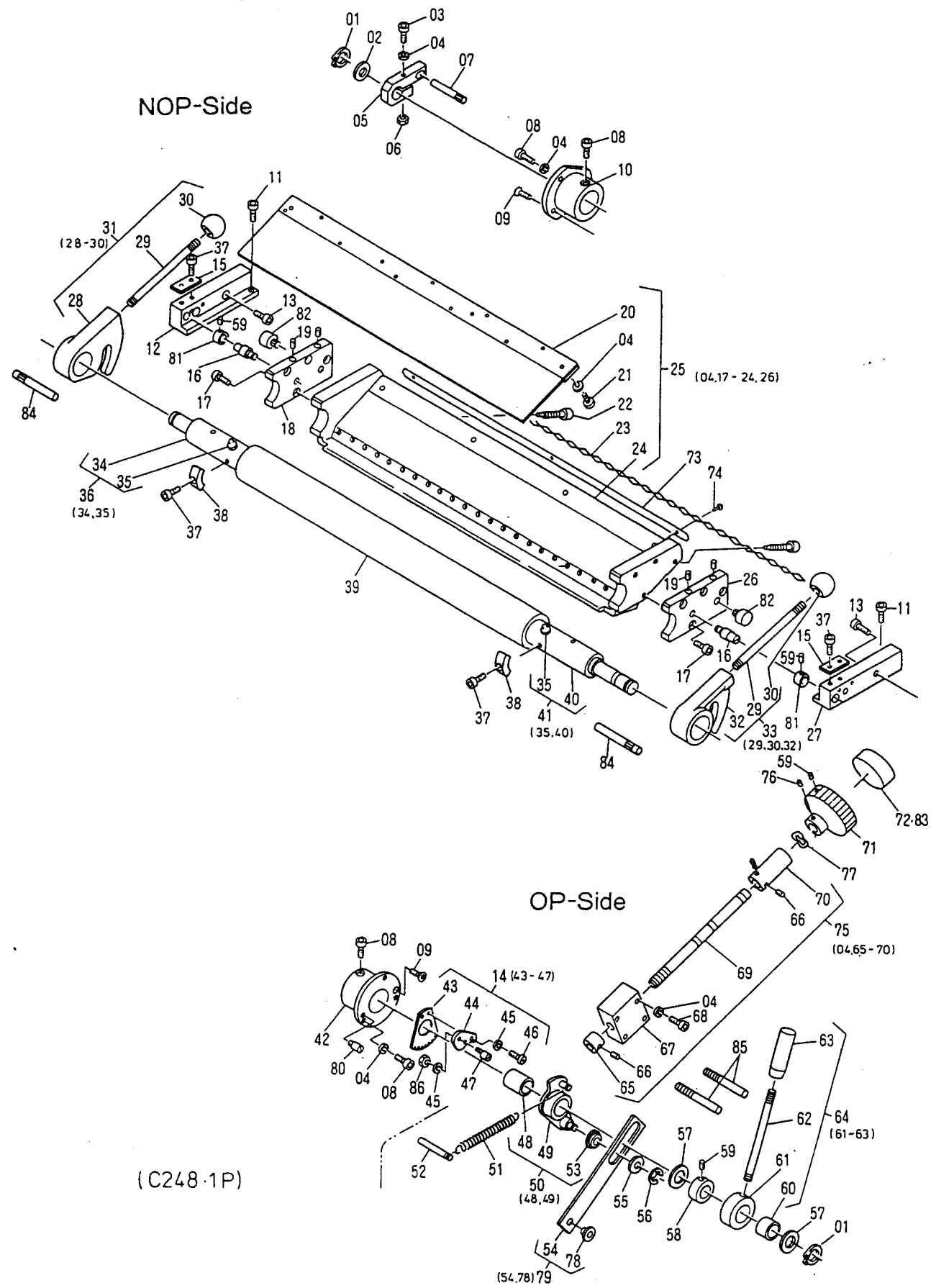


INDEX No.	Parts No.	Description (Remarks)	Unit Per Assy								
			C48	C48L	C48SF	C48L-SF	C248E	C248L	C248E-SF	C248L-SF	
01	181-016	C-Ring	1	1	1	1	1	1	1	1	1
02	CK08-63	Flat Washer	2	2	2	2	2	2	2	2	2
03	117-532	Screw	1	1	1	1	1	1	1	1	1
04	180-105	Lock Washer	11	11	11	11	11	11	11	11	11
05	I31-10-3	Nut	1	1	1	1	1	1	1	1	1
06	7203-02043	Brake Shoe	1	1	1	1	1	1	1	1	1
07	7203-02042	Stud Pin	1	1	1	1	1	1	1	1	1
08	7203-02039	Clutch	(Included in 12)	1	1	1	1	1	1	1	1
09	7203-02040	Handle Bracket	(Included in 12)	1	1	1	1	1	1	1	1
10	7203-02060	Handle	(Included in 12)	1	1	1	1	1	1	1	1
11	R-118-01	Handle	(Included in 12)	1	1	1	1	1	1	1	1
12	7203-02060A	Handle Assy	1	1	1	1	1	1	1	1	1
13	117-515	Screw	4	4	4	4	4	4	4	4	4
14	122-112	Screw	2	2	2	2	2	2	2	2	2
15	7203-0203J	Bushing	(NOP-S)	1	1	1	1	1	1	1	1
16	7203-02004	Bushing	(NOP-S)	1	1	1	1	1	1	1	1
17	323-101	Grease Nipple	2	2	2	2	2	2	2	2	2
18	7203-02003	Bushing	(OP-S)	1	1	1	1	1	1	1	1
19	7203-02002	Ink Fountain Roller	1	1	1	1	1	1	1	1	1
20	7203-02005A	Ink Fountain Brake	1	1	1	1	1	1	1	1	1
21	7203-02001B	Ink Fountain	1	1	1	1	1	1	1	1	1
22	117-518	Screw	4	4	4	4	4	4	4	4	4
23	7203-02006	Wire	1	1	1	1	1	1	1	1	1
24	102-05-3	Ink Fountain Adjustment Thumb Screw	23	23	23	23	23	23	23	23	23
25	7203-02001A	Ink Fountain Assy	(04, 20-24)	1	1	1	1	1	1	1	1
26	7203-02013	Bushing	(OP-S)	1	1	1	1	1	1	1	1
27	7203-02016	Pin	1	1	1	1	1	1	1	1	1
28	7203-02059	Adjustment Sector	1	1	1	1	1	1	1	1	1
29	7203-02020	Plate	1	1	1	1	1	1	1	1	1
30	180-104	Lock Washer	2	2	2	2	2	2	2	2	2
31	125-658	Screw	2	2	2	2	2	2	2	2	2
32	7203-02022	Pin	1	1	1	1	1	1	1	1	1
33	I51-22-3	Spring	1	1	1	1	1	1	1	1	1
34	7203-02011A	Lever	(Included in 36)	1	1	1	1	1	1	1	1
35	7203-02039	Clutch	(Included in 36)	1	1	1	1	1	1	1	1
36	7203-02011B	Lever Assy	(34, 35 40)	1	1	1	1	1	1	1	1
37	180-182	Washer	1	1	1	1	1	1	1	1	1
38	M05-37-3	Collar	1	1	1	1	1	1	1	1	1
39	145-505	Set Screw	2	2	2	2	2	2	2	2	2
40	7203-02045	Bearing	(Included in 36)	1	1	1	1	1	1	1	1
41	7203-02009	Drive Link	1	1	1	1	1	1	1	1	1
42	7203-02037	Washer	1	1	1	1	1	1	1	1	1
43	181-406	E-Ring	1	1	1	1	1	1	1	1	1
44	7203-02017	Shaft	1	1	1	1	1	1	1	1	1
45	7203-02015	Bracket	1	1	1	1	1	1	1	1	1
46	117-531	Screw	2	2	2	2	2	2	2	2	2
47	7203-02047	Collar	1	1	1	1	1	1	1	1	1
48	145-356	Set Screw	2	2	2	2	2	2	2	2	2
49	7202-04085	Handle	1	1	1	1	1	1	1	1	1
50	7203-02019	Name Plate (Indicator)	OLD	1	1	1	1	1	1	1	1
51	117-530	Screw	1	1	1	1	1	1	1	1	1
52	7203-02046	Bushing	1	1	1	1	1	1	1	1	1
53	4808-04029	Pin	1	1	1	1	1	1	1	1	1
54	145-510	Set Screw	2	2	2	2	2	2	2	2	2
55	7203-02018A	Adjustment Sector Assy	(28-32)	1	1	1	1	1	1	1	1
56	7203-02009A	Drive Link Assy	(41, 52)	1	1	1	1	1	1	1	1
57	7203-02068	Indicator	1	1	1	1	1	1	1	1	1
58	ER04-03	Spacer	2	2	2	2	2	2	2	2	2
59	H11-50-3	Screw	3	3	3	3	3	3	3	3	3
60	7203-02012	Name Plate	1	1	1	1	1	1	1	1	1
61	170-104	Nut	1	1	1	1	1	1	1	1	1



(C248-1P)

INDEX No.	Parts No.	Description (Remarks)	Unit Per Assy							
			C48	C48L	C48SF	-SF C48L	C248E	C248L	-SF C248E	-SF C248L
01	181-016	C-Ring	0	0	0	0	2	2	2	2
02	CK08-63	Washer	0	0	0	0	1	1	1	1
03	117-532	Screw	0	0	0	0	1	1	1	1
04	180-105	Lock Washer	0	0	0	0	13	13	13	13
05	7203-02043	Brake Shoe	0	0	0	0	1	1	1	1
06	I31-10-3	Nut	0	0	0	0	1	1	1	1
07	225-0832.01	Pin	0	0	0	0	1	1	1	1
08	117-515	Screw	0	0	0	0	6	6	6	6
09	122-112	Screw	0	0	0	0	2	2	2	2
10	7203-02033	Bushing	0	0	0	0	1	1	1	1
11	117-368	Screw	0	0	0	0	2	2	2	2
12	7203-02058	Rail	0	0	0	0	1	1	1	1
13	117-370	Screw	0	0	0	0	4	4	4	4
14	7203-02018A	Adjustment Sector Assy (43 - 47)	0	0	0	0	1	1	1	1
15	7203-02066	Rail	0	0	0	0	2	2	2	2
16	7203-02053	Pin	0	0	0	0	2	2	2	2
17	117-512	Screw	0	0	0	0	8	8	8	8
18	7203-02052	Bracket	0	0	0	0	1	1	1	1
19	145-360	Set Screw	0	0	0	0	4	4	4	4
20	7203-02005A	Ink Fountain Brake	0	0	0	0	1	1	1	1
21	117-518	Screw	0	0	0	0	4	4	4	4
22	I02-05-3	Ink Fountain Adjustment Thumb Screw	0	0	0	0	23	23	23	23
23	7203-02006	Wire	0	0	0	0	1	1	1	1
24	7203-02048	Ink Fountain	0	0	0	0	1	1	1	1
25	7203-02048A	Ink Fountain Assy (04, 17 - 24, 26)	0	0	0	0	1	1	1	1
26	7203-02051	Bracket	0	0	0	0	1	1	1	1
27	7203-02057	Rail	0	0	0	0	1	1	1	1
28	7203-02056	Connecting Hook (NOP-S)	0	0	0	0	1	1	1	1
29	7203-02041	Connecting Lever	0	0	0	0	2	2	2	2
30	H16-09-3	Connecting Knob	0	0	0	0	2	2	2	2
31	7203-02056A	Connecting Hook Assy (NOP-S)	0	0	0	0	1	1	1	1
32	7203-02055	Connecting Hook (OP-S)	0	0	0	0	1	1	1	1
33	7203-02055A	Connecting Hook Assy (OP-S)	0	0	0	0	1	1	1	1
34	7203-02050	Bushing (NOP-S)	0	0	0	0	1	1	1	1
35	323-101	Grease Nipple	0	0	0	0	2	2	2	2
36	7203-02050A	Bushing Assy (NOP-S)	0	0	0	0	1	1	1	1
37	117-508	Screw	0	0	0	0	6	6	6	6
38	7203-02054	Retainer	0	0	0	0	2	2	2	2
39	7203-02064	Ink Fountain Roller	0	0	0	0	1	1	1	1
40	7203-02049	Bushing (OP-S)	0	0	0	0	1	1	1	1
41	7203-02049A	Bushing Assy (OP-S)	0	0	0	0	1	1	1	1
42	7203-02013	Bushing (OP-S)	0	0	0	0	1	1	1	1
43	7203-02018	Adjustment Sector	0	0	0	0	1	1	1	1
44	7203-02020	Plate	0	0	0	0	1	1	1	1
45	180-104	Lock Washer	0	0	0	0	3	3	3	3
46	125-658	Screw	0	0	0	0	2	2	2	2
47	7203-02022	Pin	0	0	0	0	1	1	1	1
48	7203-02039	Clutch (Included in 49)	0	0	0	0	1	1	1	1
49	7203-02010A	Lever	0	0	0	0	1	1	1	1
50	7203-02010B	Lever Assy	0	0	0	0	1	1	1	1
51	I51-22-3	Spring	0	0	0	0	1	1	1	1
52	4808-04029	Pin	0	0	0	0	1	1	1	1
53	7203-02045	Bearing	0	0	0	0	1	1	1	1
54	7203-02008	Drive Link	0	0	0	0	1	1	1	1
55	7203-02037	Washer	0	0	0	0	1	1	1	1
56	181-406	E-Ring	0	0	0	0	1	1	1	1
57	X16-93-3	Washer	0	0	0	0	2	2	2	2
58	M05-37-3	Collar	0	0	0	0	1	1	1	1
59	145-505	Set Screw	0	0	0	0	4	4	4	4
60	4206-03032	Clutch (Included in 64)	0	0	0	0	1	1	1	1
61	7203-02040	Handle Bracket (Included in 64)	0	0	0	0	1	1	1	1
62	7203-02041	Handle (Included in 64)	0	0	0	0	1	1	1	1
63	R-118-01	Handle (Included in 64)	0	0	0	0	1	1	1	1
64	7203-02041A	Handle Assy (Included in 64)	0	0	0	0	1	1	1	1
65	R11-78-3	Collar	0	0	0	0	3	3	3	3
66	145-356	Set Screw	0	0	0	0	1	1	1	1
67	7203-02063	Bracket	0	0	0	0	4	4	4	4
68	117-531	Screw	0	0	0	0	1	1	1	1
69	7203-02029	Shaft	0	0	0	0	1	1	1	1
70	7203-02031	Collar	0	0	0	0	1	1	1	1

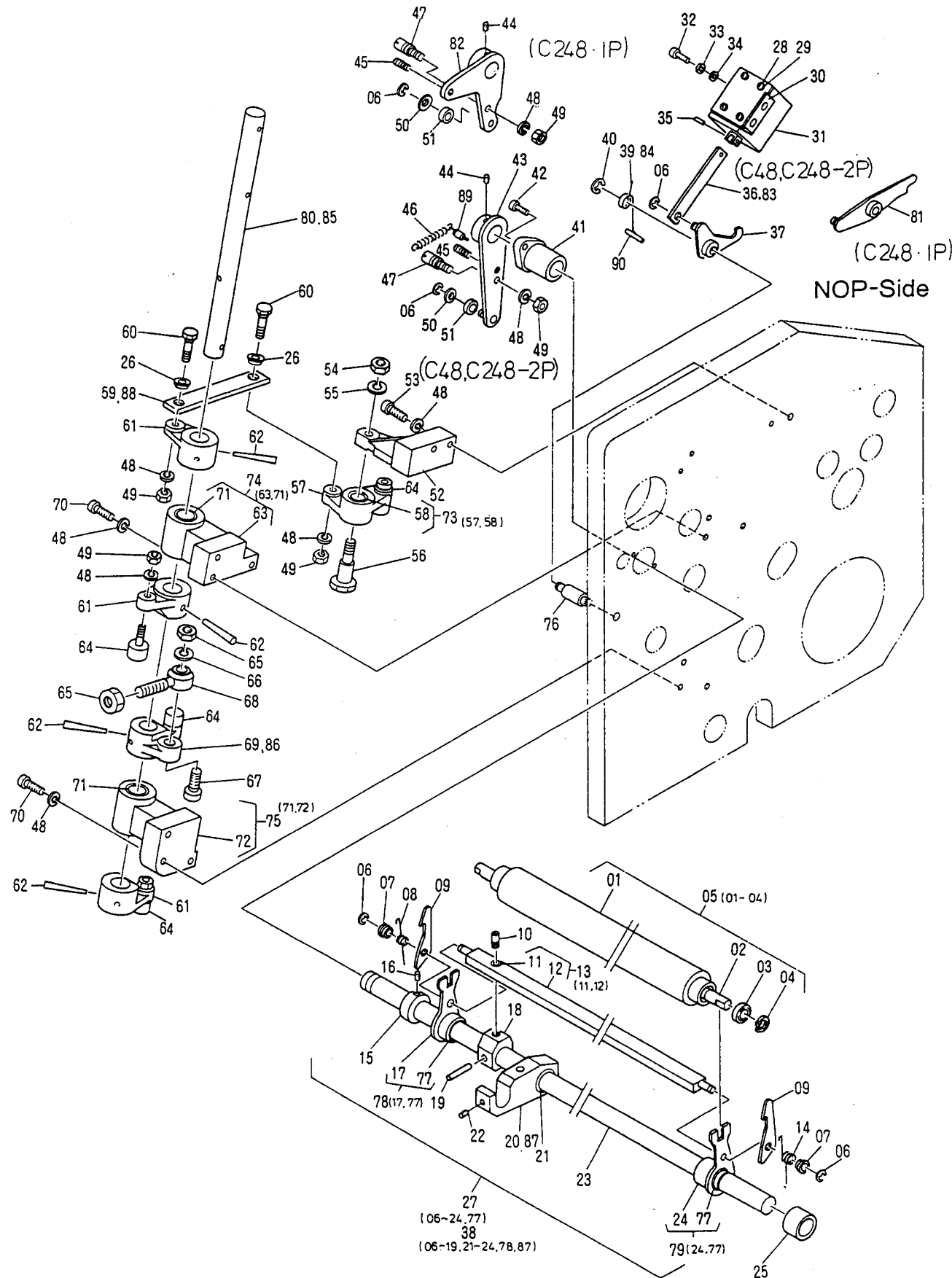


NOP-Side

OP-Side

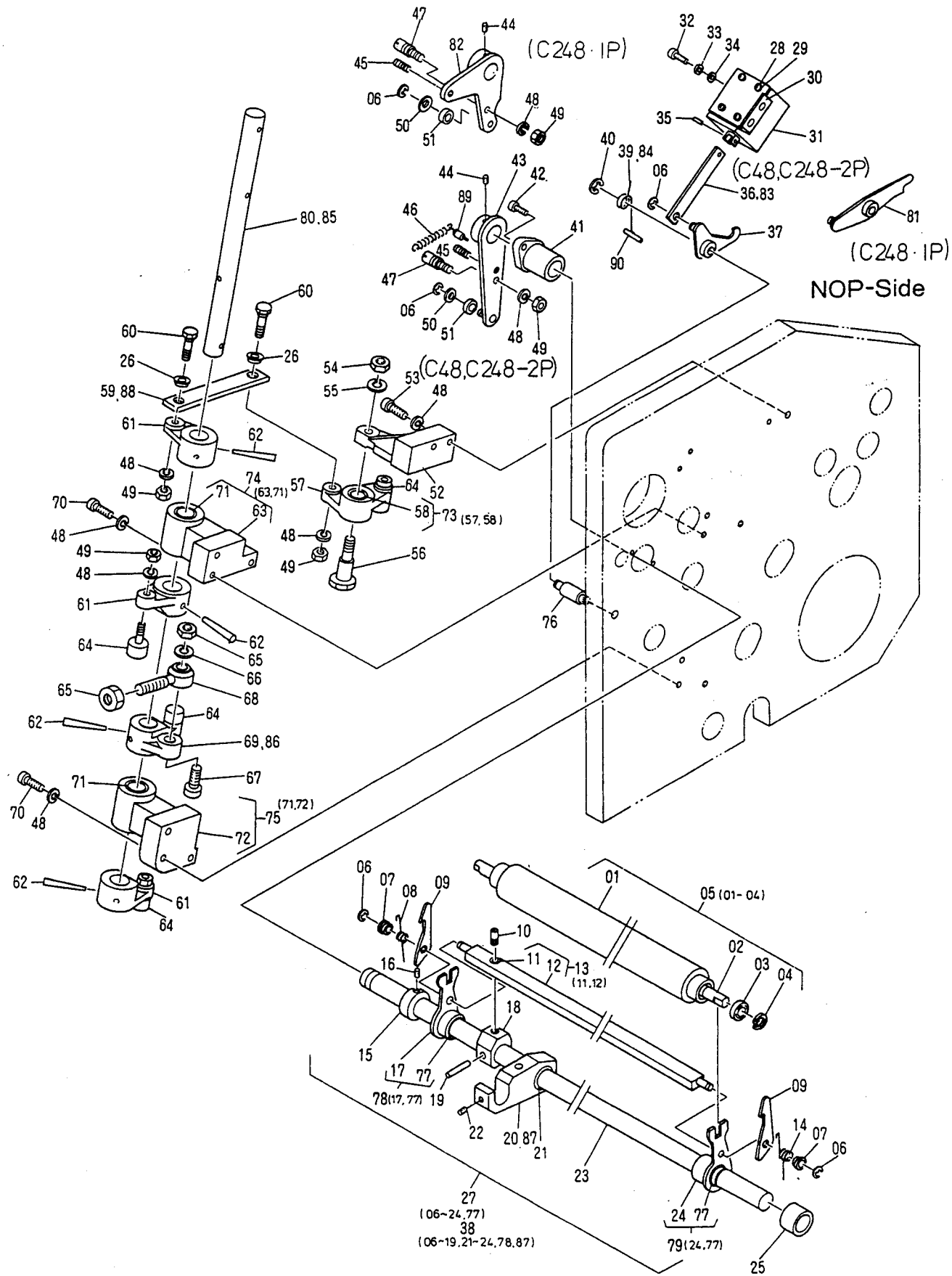
(C248-1P)

INDEX No.	Parts No.	Description (Remarks)	Unit Per Assy							
			C48	C48L	C48SF	-SF C48L	C248E	C248L	-SF C248E	-SF C248L
71	7202-04085	Handle (Included in 73)	0	0	0	0	1	1	1	1
72	7203-02019	Name Plate (Inxicator) O.I.D. (Included in 73)	0	0	0	0	1	1	1	1
73	7203-02007	Name Plate	0	0	0	0	1	1	1	1
74	H11-50-3	Screw	0	0	0	0	3	3	3	3
75	7203-02029A	Shaft Assy (04, 65 - 70)	0	0	0	0	1	1	1	1
76	145-510	Set Screw	0	0	0	0	2	2	2	2
77	180-182	Washer	0	0	0	0	1	1	1	1
78	7203-02046	Bushing	0	0	0	0	1	1	1	1
79	7203-02008A	Drive Link Assy (54, 78)	0	0	0	0	1	1	1	1
80	7203-02016	Pin	0	0	0	0	1	1	1	1
81	7203-02065	Collar	0	0	0	0	2	2	2	2
82	7203-02067	Pin	0	0	0	0	2	2	2	2
83	7203-02068	Indicator	0	0	0	0	1	1	1	1
84	5102-03127	Stopper Pin	0	0	0	0	2	2	2	2
85	7203-02028	Stopper Pin	0	0	0	0	2	2	2	2
86	170-104	Nut	0	0	0	0	1	1	1	1



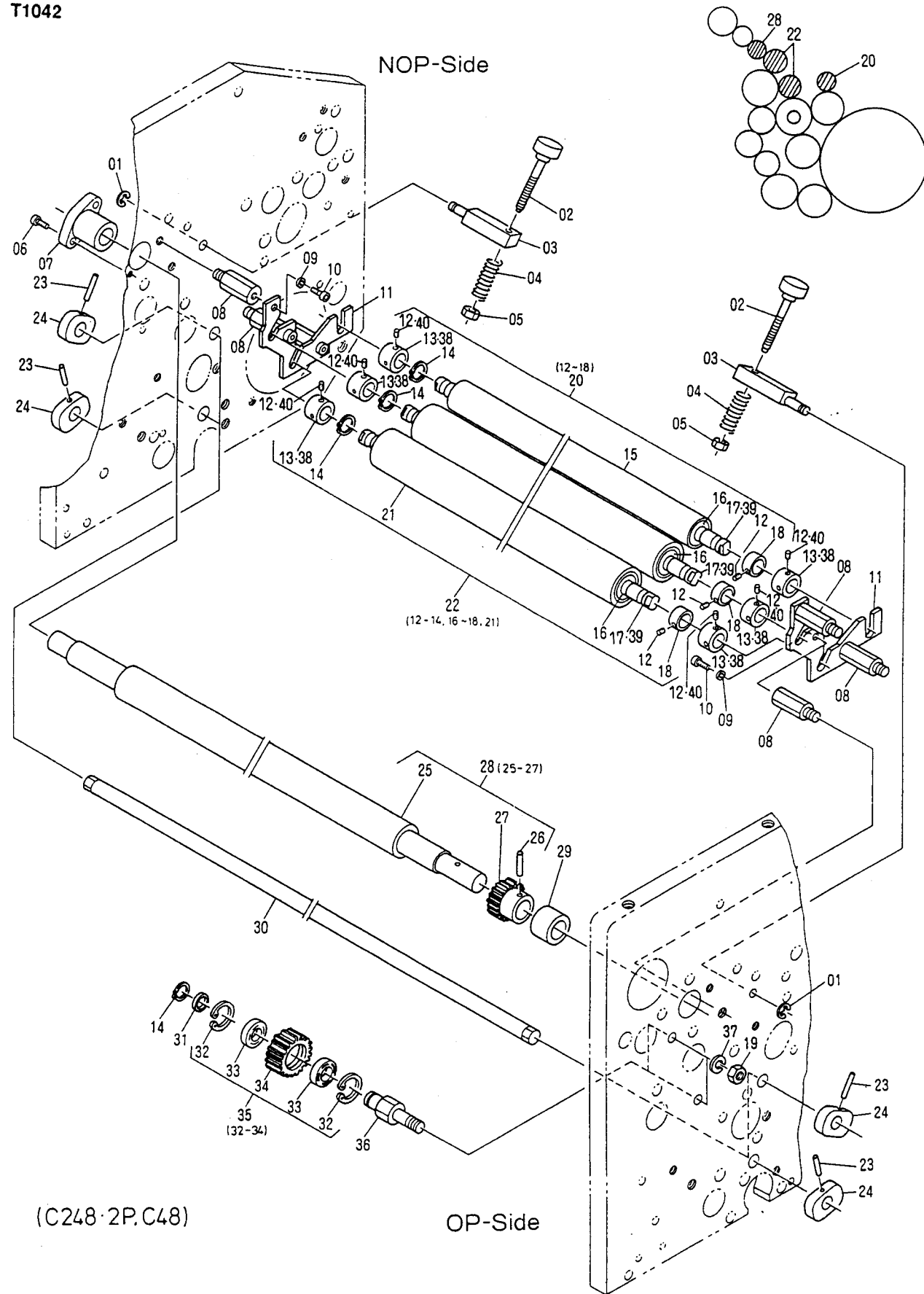
Inking Section
Ductor Roller and Related Parts for NOP-side Frame T1041 (1)

INDEX No.	Parts No.	Description (Remarks)	Unit Per Assy							
			C48	C48L	C48SF	-SF C48L	C248E	C248L	-SF C248E	-SF C248L
01	7203-06001A	Ductor Roller	1	1	1	1	2	2	2	2
02	7203-06030	Ductor Roller Shaft	1	1	1	1	2	2	2	2
03	250-088-6	Bearing	2	2	2	2	4	4	4	4
04	181-008	C-Ring	2	2	2	2	4	4	4	4
05	7203-06001B	Ductor Roller Assy	1	1	1	1	2	2	2	2
06	181-404	E-Ring	3	3	3	3	6	6	6	6
07	I01-43-3	Spring Hub	2	2	2	2	4	4	4	4
08	I01-32-3	Latch Spring	1	1	1	1	2	2	2	2
09	7203-06022	Latch	2	2	2	2	4	4	4	4
10	7203-06024	Pin	1	1	1	1	2	2	2	2
11	243-605	Bushing	1	1	1	1	2	2	2	2
12	7203-06004	Ductor Bracket Spreader	1	1	1	1	2	2	2	2
13	7203-06031A	Ductor Bracket Spreader Assy	1	1	1	1	2	2	2	2
14	I01-33-3	Latch Spring	1	1	1	1	2	2	2	2
15	M05-37-3	Collar	1	1	1	1	2	2	2	2
16	145-505	Set Screw	1	1	1	1	2	2	2	2
17	7203-06011A	Ductor Roller Bracket	1	1	1	1	2	2	2	2
18	7203-06009	Bracket	1	1	1	1	2	2	2	2
19	CP03-34	Roll Pin	1	1	1	1	2	2	2	2
20	7203-06033	Bracket (C248 2P, C48)	2	2	2	2	2	2	2	2
21	241-1616.2	Bushing	1	1	1	1	2	2	2	2
22	145-508	Set Screw	1	1	1	1	2	2	2	2
23	7203-06003	Ductor Frame Shaft	1	1	1	1	2	2	2	2
24	7203-06010A	Ductor Roller Bracket	1	1	1	1	2	2	2	2
25	7203-04032	Bushing	2	2	2	2	4	4	4	4
26	7203-08029	Bushing	2	2	2	2	4	4	4	4
27	7203-06003B	Ductor Frame Assy (C248 2P, C48) (06-24, 77)	1	1	1	1	1	1	1	1
28	125-606	Screw	4	4	4	4	8	8	8	8
29	180-103	Lock Washer	4	4	4	4	8	8	8	8
30	7203-06013	Bracket	1	1	1	1	2	2	2	2
31	E09-25-3	Solenoid	1	1	1	1	2	2	2	2
32	117-512	Screw	2	2	2	2	4	4	4	4
33	180-105	Lock Washer	2	2	2	2	4	4	4	4
34	184-105	Flat Washer	2	2	2	2	4	4	4	4
35	183-181	Roll Pin	1	1	1	1	2	2	2	2
36	7203-06026	Connect Link (C248 2P, C48)	1	1	1	1	1	1	1	1
37	7203-06019A	Drive Lever (C248 2P, C48)	1	1	1	1	1	1	1	1
38	7203-06003A	Ductor Frame Assy (C248-1P) (06-19, 21-24, 77, 87)	0	0	0	0	1	1	1	1
39	7203-06023	Spring (C248 2P, C48)	1	1	1	1	1	1	1	1
40	181-406	E-Ring	1	1	1	1	2	2	2	2
41	7203-04031	Bushing	1	1	1	1	2	2	2	2
42	117-510	Screw	2	2	2	2	4	4	4	4
43	7203-06007A	Ductor Drive Lever (C248 2P, C48)	1	1	1	1	1	1	1	1
44	145-504	Set Screw	2	2	2	2	4	4	4	4
45	7203-06025	Pin	1	1	1	1	2	2	2	2
46	G07-52-3	Spring	1	1	1	1	2	2	2	2
47	7203-06015	Excentric Pin	1	1	1	1	2	2	2	2
48	180-106	Lock Washer	16	16	16	16	32	32	32	32
49	170-106	Nut	7	7	7	7	14	14	14	14
50	184-106	Flat Washer	1	1	1	1	2	2	2	2
51	250-126-6	Bearing	1	1	1	1	2	2	2	2
52	7203-05009	Bracket	1	1	1	1	2	2	2	2
53	117-382	Screw	2	2	2	2	4	4	4	4
54	170-108	Nut	1	1	1	1	2	2	2	2
55	180-108	Lock Washer	1	1	1	1	2	2	2	2
56	7203-05019	Pin	1	1	1	1	2	2	2	2
57	7203-05015	Lever	1	1	1	1	2	2	2	2
58	7203-05018	Bushing	1	1	1	1	2	2	2	2
59	7203-05004	Link (C248 2P, C48)	1	1	1	1	1	1	1	1
60	7203-05013	Screw	2	2	2	2	4	4	4	4
61	7203-05012	Lever	3	3	3	3	6	6	6	6
62	182-190	Taper Pin	4	4	4	4	8	8	8	8
63	7203-05005	Bushing Bracket	1	1	1	1	2	2	2	2
64	258-650.1	Cam Follower	3	3	3	3	6	6	6	6
65	170-110	Nut	2	2	2	2	4	4	4	4
66	180-110	Lock Washer	1	1	1	1	2	2	2	2
67	117-572	Screw	1	1	1	1	2	2	2	2
68	7203-05020	Joint	1	1	1	1	2	2	2	2
69	7203-05011	Lever (C248 2P, C48)	1	1	1	1	1	1	1	1
70	117-381	Screw	6	6	6	6	12	12	12	12



Inking Section
Ductor Roller and Related Parts for NOP-side Frame

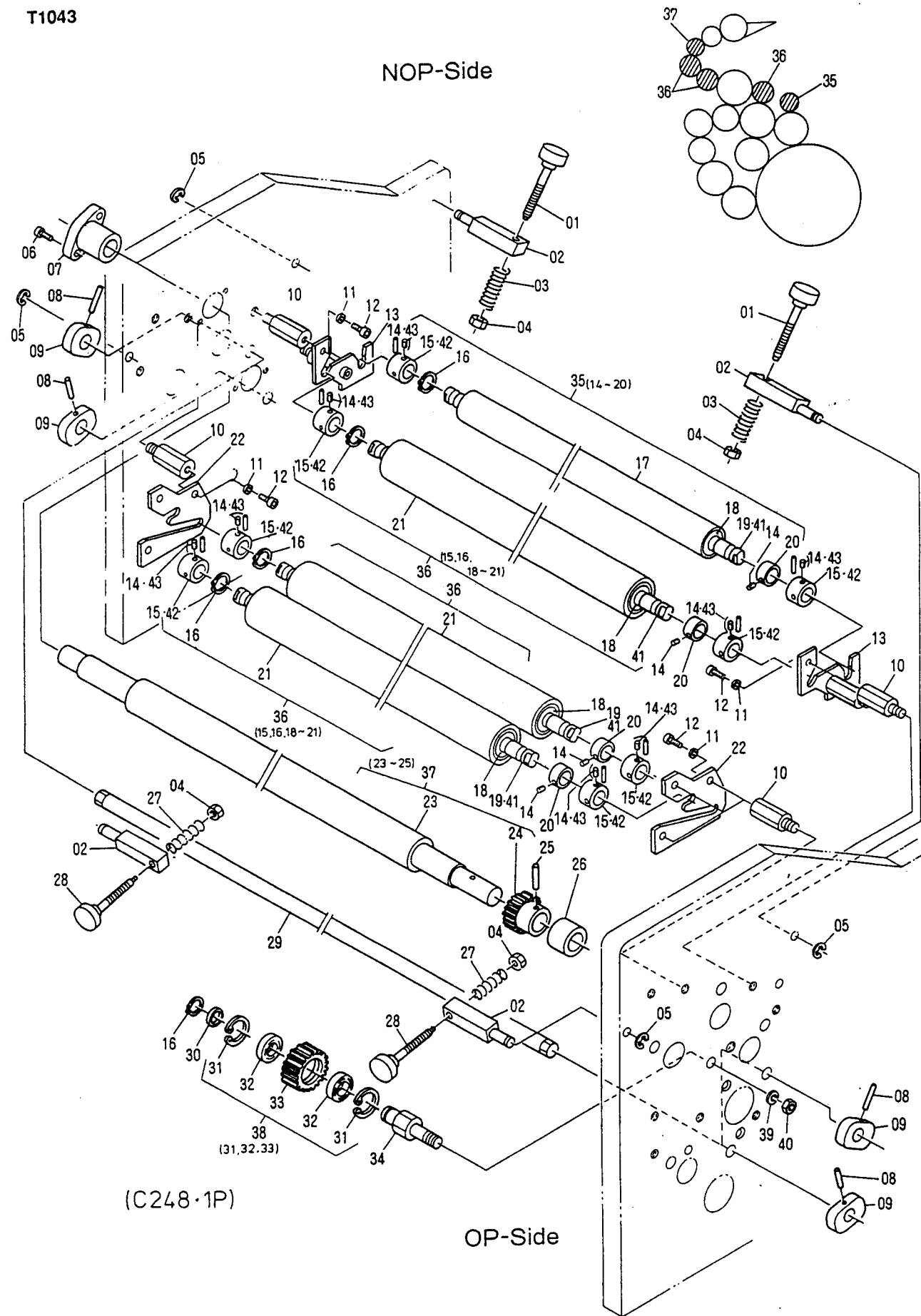
INDEX No.	Parts No.	Description (Remarks)	Unit Per Assy							
			C48	C48L	C48SF	-SF C48L	C248E	C248L	-SF C248E	-SF C248L
71	7203-05022	Bushing	4	4	4	4	8	8	8	8
72	7203-05006	Bushing Bracket	1	1	1	1	2	2	2	2
73	7203-05015A	Lever Assy (26, 57)	1	1	1	1	2	2	2	2
74	7203-05005A	Bracket Assy (63, 71)	1	1	1	1	2	2	2	2
75	7203-05006A	Bracket Assy (71, 72)	1	1	1	1	2	2	2	2
76	7203-06021	Pin	1	1	1	1	2	2	2	2
77	243-524	Bushing	2	2	2	2	4	4	4	4
78	7203-06011B	Ductor Roller Bracket Assy (17, 77) (NOP-S)	1	1	1	1	2	2	2	2
79	7203-06010B	Ductor Roller Bracket Assy (24, 77) (OP-S)	1	1	1	1	2	2	2	2
80	7203-05036	Shaft (C248-2P, C48)	1	1	1	1	1	1	1	1
81	7203-06005A	Drive Lever (C248-1P)	0	0	0	0	1	1	1	1
82	7203-06006A	Ductor Drive Lever (C248-1P)	0	0	0	0	1	1	1	1
83	7203-06020	Correct Link (C248-1P)	0	0	0	0	1	1	1	1
84	7203-06008	Spring (C248-1P)	0	0	0	0	1	1	1	1
85	7203-05007	Shaft (C248-1P)	0	0	0	0	1	1	1	1
86	7203-05008	Lever (C248-1P)	0	0	0	0	1	1	1	1
87	7203-06032	Bracket (C248-1P)	0	0	0	0	1	1	1	1
88	7203-05003	Link (C248-1P)	0	0	0	0	1	1	1	1
89	223-0640.01	Pin	1	1	1	1	2	2	2	2
90	183-213	Roll Pin	1	1	1	1	2	2	2	2



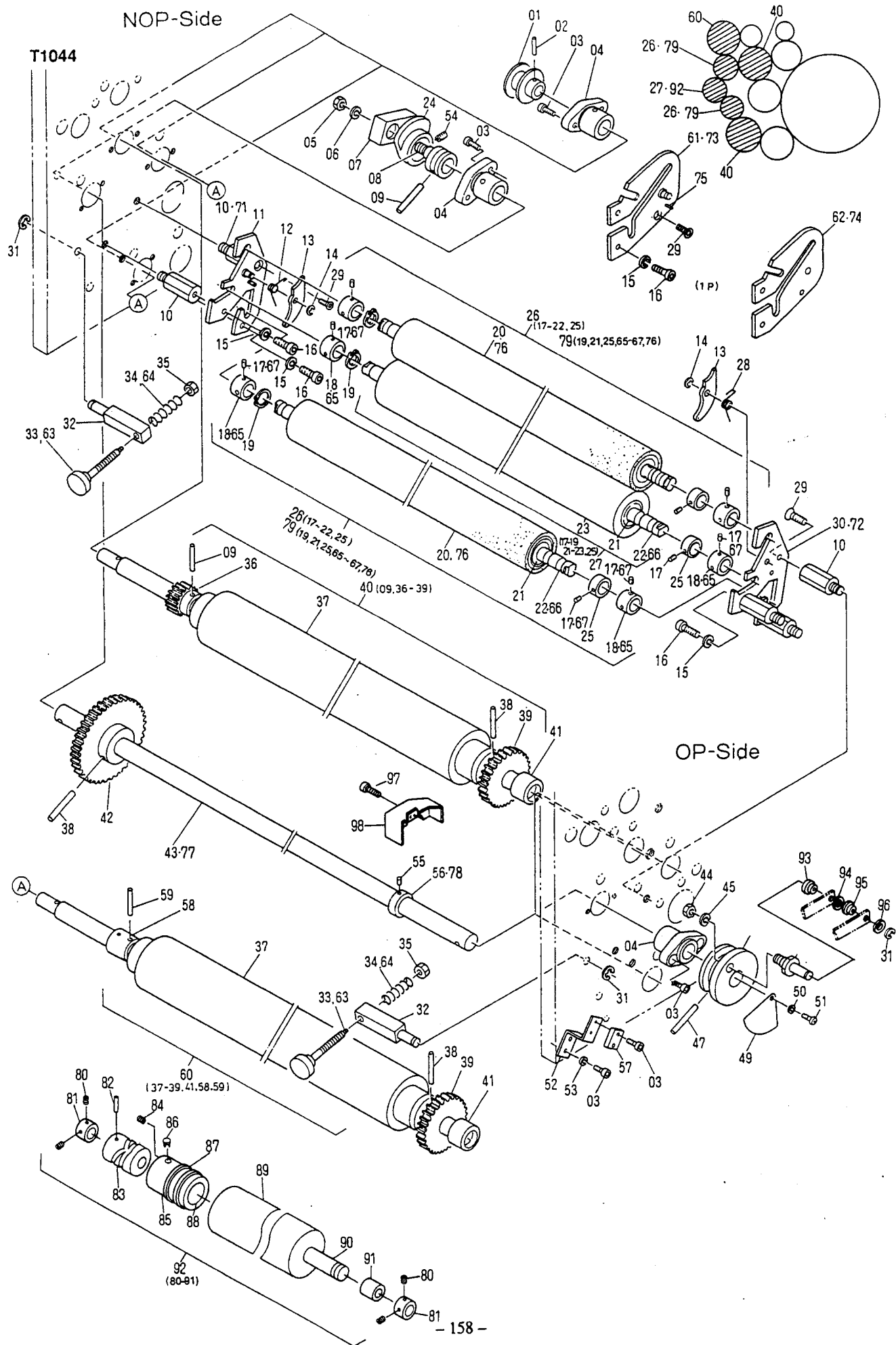
(C248-2P, C48)

OP-Side

INDEX No.	Parts No.	Description	(Remarks)	Unit Per Assy								
				C48	C48L	C48SF	-SF C48L	C248E	C248L	-SF C248E	-SF C248L	
01	181-406	E-Ring		4	4	4	4	4	4	4	4	4
02	7203-04023A	Screw		4	4	4	4	4	4	4	4	4
03	7203-04022	Pin		4	4	4	4	4	4	4	4	4
04	M04-18-3	Spring		4	4	4	4	4	4	4	4	4
05	I31-11-3	U-Nut		4	4	4	4	4	4	4	4	4
06	117-510	Screw		2	2	2	2	2	2	2	2	2
07	7203-04031	Bushing		1	1	1	1	1	1	1	1	1
08	7203-04021	Stud		6	6	6	6	6	6	6	6	6
09	180-106	Lock Washer		6	6	6	6	6	6	6	6	6
10	117-365	Screw		6	6	6	6	6	6	6	6	6
11	7203-04019	Roller Frame		2	2	2	2	2	2	2	2	2
12	145-404	Set Screw		3	3	3	3	3	3	3	3	3
13	7203-04025	Collar	OLD	6	6	6	6	6	6	6	6	6
14	181-012	C-Ring		5	5	5	5	5	5	5	5	5
15	7203-04008A	Idle Roller (#30)		1	1	1	1	1	1	1	1	1
16	7203-04030	Bearing (Brg. 6801ZZ)	(Included in 15, 21)	6	6	6	6	6	6	6	6	6
17	7203-04010	Shaft	OLD	3	3	3	3	3	3	3	3	3
18	M02-16-3	Collar		3	3	3	3	3	3	3	3	3
19	170-110	Nut		2	2	2	2	2	2	2	2	2
20	7203-04008B	Idle Roller Assy	(12 ~ 18)	1	1	1	1	1	1	1	1	1
21	7203-04007A	Idle Roller (#30)		2	2	2	2	2	2	2	2	2
22	7203-04007B	Idle Roller Assy	(12 ~ 14, 16 ~ 18, 21)	2	2	2	2	2	2	2	2	2
23	183-186	Roll Pin		4	4	4	4	4	4	4	4	4
24	7203-03019	Cam		4	4	4	4	4	4	4	4	4
25	7203-04001	Distributor Roller (#30.16)		1	1	1	1	1	1	1	1	1
26	CP03-34	Spiral Roll Pin		1	1	1	1	1	1	1	1	1
27	7203-05025	Gear		1	1	1	1	1	1	1	1	1
28	7203-04001A	Distributor Roller & Gear Assy	(25 ~ 27)	1	1	1	1	1	1	1	1	1
29	7203-04032	Bushing		1	1	1	1	1	1	1	1	1
30	7203-03005	Shaft		2	2	2	2	2	2	2	2	2
31	7203-05035	Spacer		2	2	2	2	2	2	2	2	2
32	181-224	C-Ring		4	4	4	4	4	4	4	4	4
33	250-151.6	Bearing (Brg. 6901ZZ)		4	4	4	4	4	4	4	4	4
34	7203-05026	Gear		2	2	2	2	2	2	2	2	2
35	7203-05026A	Gear Assy	(32 ~ 34)	2	2	2	2	2	2	2	2	2
36	7203-05021	Stud		2	2	2	2	2	2	2	2	2
37	180-110	Lock Washer		2	2	2	2	2	2	2	2	2
38	7203-04033	Collar		6	6	6	6	6	6	6	6	6
39	7203-04035	Shaft		3	3	3	3	3	3	3	3	3
40	183-185	Roll Pin		6	6	6	6	6	6	6	6	6



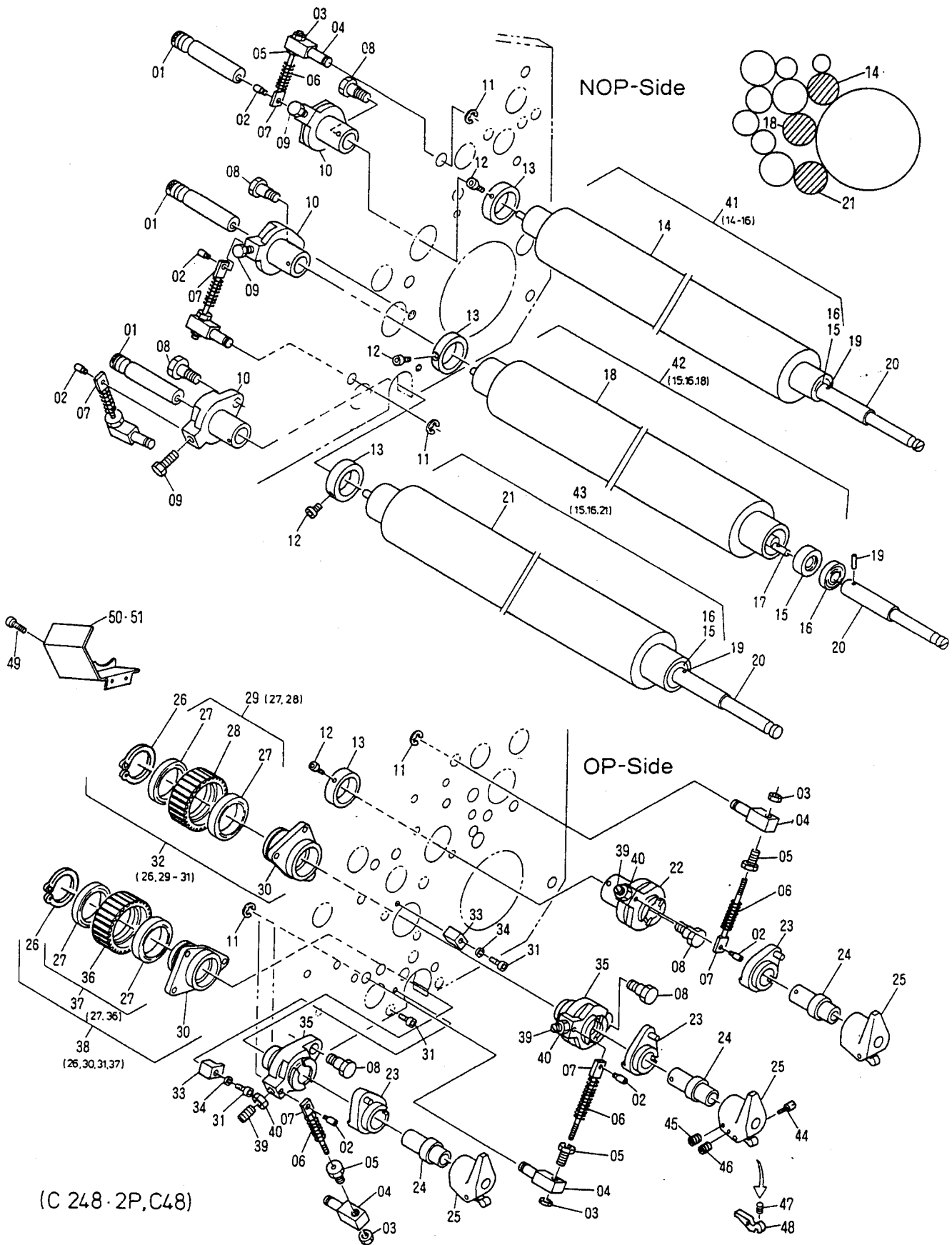
INDEX No.	Parts No.	Description (Remarks)	Unit Per Assy							
			C48	C48L	C48SF	-SF C48L	C248E	C248L	-SF C248E	-SF C248L
01	7203-04024A	Screw	0	0	0	0	2	2	2	2
02	7203-04022	Pin	0	0	0	0	4	4	4	4
03	F44-65-3	Spring	0	0	0	0	2	2	2	2
04	I31-11-3	U-Nut	0	0	0	0	4	4	4	4
05	181-406	E-Ring	0	0	0	0	4	4	4	4
06	117-510	Screw	0	0	0	0	2	2	2	2
07	7203-04031	Bushing	0	0	0	0	1	1	1	1
08	183-186	Roll Pin	0	0	0	0	4	4	4	4
09	7203-03019	Cam	0	0	0	0	4	4	4	4
10	7203-04021	Stud	0	0	0	0	10	10	10	10
11	180-106	Lock Washer	0	0	0	0	10	10	10	10
12	117-365	Screw	0	0	0	0	10	10	10	10
13	7203-04011	Roller Frame	0	0	0	0	2	2	2	2
14	145-404	Set Screw	0	0	0	0	4	4	4	4
15	7203-04025	Collar	0	0	0	0	8	8	8	8
16	181-012	C-Ring	0	0	0	0	5	5	5	5
17	7203-04008A	Idle Roller (φ30)	0	0	0	0	1	1	1	1
18	7203-04030	Bearing (BRG. 6801ZZ)	0	0	0	0	8	8	8	8
19	7203-04010	Shaft	0	0	0	0	4	4	4	4
20	M02-16-3	Collar	0	0	0	0	4	4	4	4
21	7203-04007A	Idle Roller (φ36)	0	0	0	0	3	3	3	3
22	7203-04015	Roler Frame	0	0	0	0	2	2	2	2
23	7203-04001	Distributor Roller (φ30.16)	0	0	0	0	1	1	1	1
24	7203-05025	Gear	0	0	0	0	1	1	1	1
25	CP03-34	Spiral Roll Pin	0	0	0	0	1	1	1	1
26	7203-04032	Bushing	0	0	0	0	1	1	1	1
27	M04-18-3	Spring	0	0	0	0	2	2	2	2
28	7203-04023A	Screw	0	0	0	0	2	2	2	2
29	7203-03005	Shaft	0	0	0	0	2	2	2	2
30	7203-05035	Spacer	0	0	0	0	1	1	1	1
31	181-224	C-Ring	0	0	0	0	2	2	2	2
32	250-151.6	Bearing (BRG. 6901ZZ)	0	0	0	0	2	2	2	2
33	7203-05026	Gear	0	0	0	0	1	1	1	1
34	7203-05021	Stud	0	0	0	0	1	1	1	1
35	7203-04008B	Idle Roller Assy (14-20)	0	0	0	0	1	1	1	1
36	7203-04007B	Idle Roller Assy (15, 16, 18-21)	0	0	0	0	3	3	3	3
37	7203-04001A	Distributor Roller Assy (23-25)	0	0	0	0	1	1	1	1
38	7203-05026A	Gear Assy (31, 32, 33)	0	0	0	0	1	1	1	1
39	180-110	Lock Washer	0	0	0	0	1	1	1	1
40	170-110	Nut	0	0	0	0	1	1	1	1
41	7203-04035	Shaft	0	0	0	0	4	4	4	4
42	7203-04033	Collar	0	0	0	0	8	8	8	8
43	183-185	Roll Pin	0	0	0	0	8	8	8	8



Inking Unit

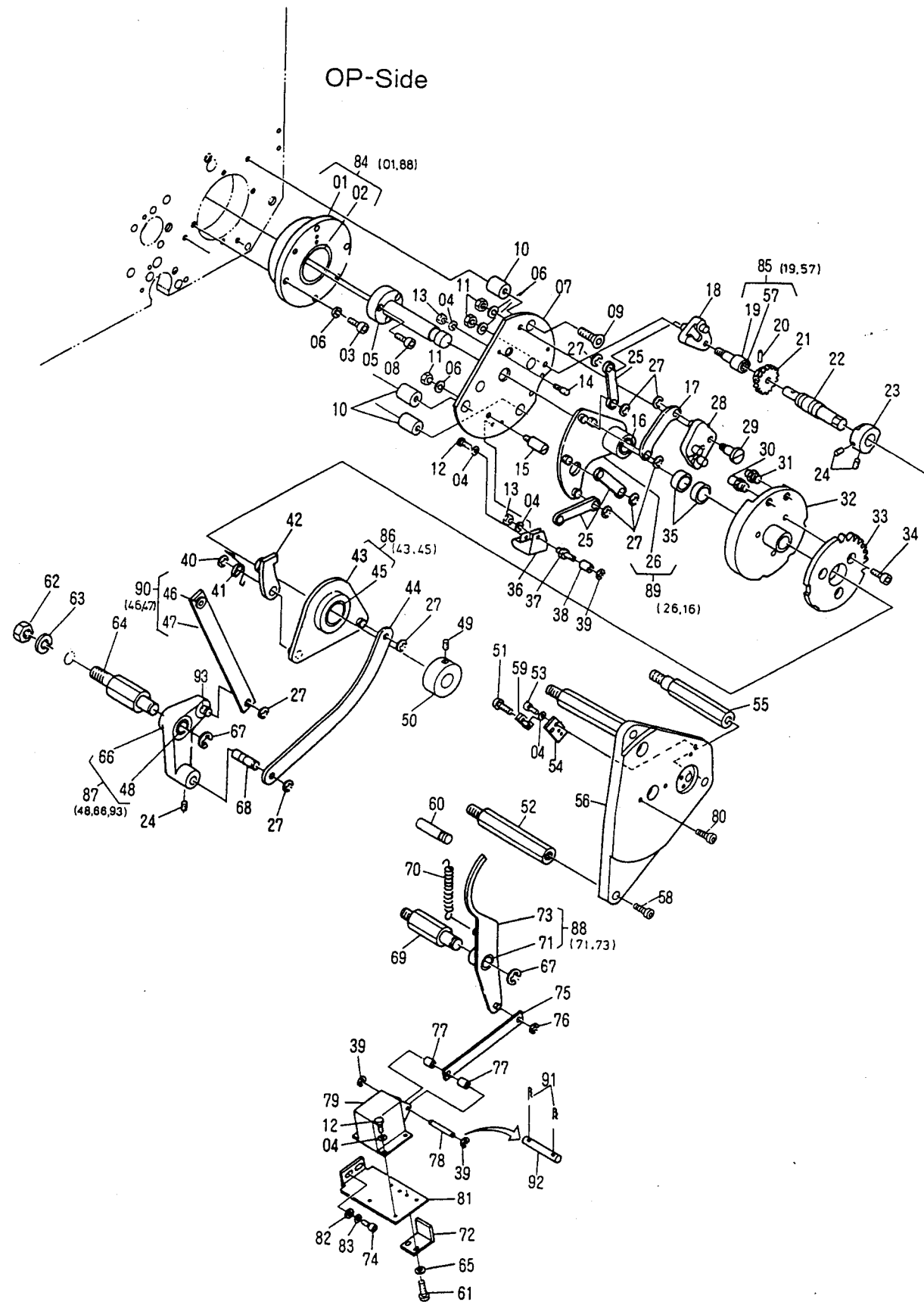
T1044 (2)

INDEX No.	Parts No.	Description	(Remarks)	Unit Per Assy								
				C48	C48L	C48SF	-SF C48L	C248E	C248L	-SF C248E	-SF C248L	
71	7203-04041A	Roller Frame	(NOP-S) (CT-3B117-)	1	1	1	1	1	1	1	1	1
72	7203-04040A	Roller Frame	(OP-S) (CT-3B117-)	1	1	1	1	1	1	1	1	1
73	7203-04039A	Roller Frame	(NOP-S) (CT-3B117-)	0	0	0	0	1	1	1	1	1
74	7203-04038A	Roller Frame	(OP-S) (CT-3B117-)	0	0	0	0	1	1	1	1	1
75	183-180	Roll Pin		1	1	1	1	2	2	2	2	2
76	7203-04042	Idle Roller (ø45)	(CT-3B117-)	2	2	2	2	4	4	4	4	4
77	7203-05041	Drive Shaft	(for Index No.78)	1	1	1	1	2	2	2	2	2
78	M05-37-3	Collar (ø16 X ø26 X 12)		1	1	1	1	2	2	2	2	2
79	7203-04042B	Idle Roller Assy (ø45)	(19, 21, 25, 65 - 67, 76)	2	2	2	2	4	4	4	4	4
80	145-504	Set Screw		4	4	4	4	8	8	8	8	8
81	7203-04049	Collar		2	2	2	2	4	4	4	4	4
82	I03-58-3	Roll Pin		1	1	1	1	2	2	2	2	2
83	I03-57-3	Worm Cam		1	1	1	1	2	2	2	2	2
84	145-510	Set Screw		1	1	1	1	2	2	2	2	2
85	R03-07-01-3	Housing for Oscillating Mechanism		1	1	1	1	2	2	2	2	2
86	R03-10-3	Worm Cam Follower		1	1	1	1	2	2	2	2	2
87	324-622	O-Ring		2	2	2	2	4	4	4	4	4
88	243-620	Bushing		1	1	1	1	2	2	2	2	2
89	7203-04036	Oscillating Roller Shell		1	1	1	1	2	2	2	2	2
90	7203-04037	Oscillating Roller Shaft		1	1	1	1	2	2	2	2	2
91	H08-16-3	Bushing		1	1	1	1	2	2	2	2	2
92	7203-04036A	Oscillating Roller Assy	(80 - 91)	1	1	1	1	2	2	2	2	2
93	7203-02046	Bushing		1	1	1	1	2	2	2	2	2
94	7203-16079	Spacer		1	1	1	1	2	2	2	2	2
95	7203-08029	Bushing		1	1	1	1	2	2	2	2	2
96	184-108	Flat Washer		1	1	1	1	2	2	2	2	2
97	7205-02155	Screw		2	2	2	2	4	4	4	4	4
98	7205-02073	Cover		1	1	1	1	2	2	2	2	2

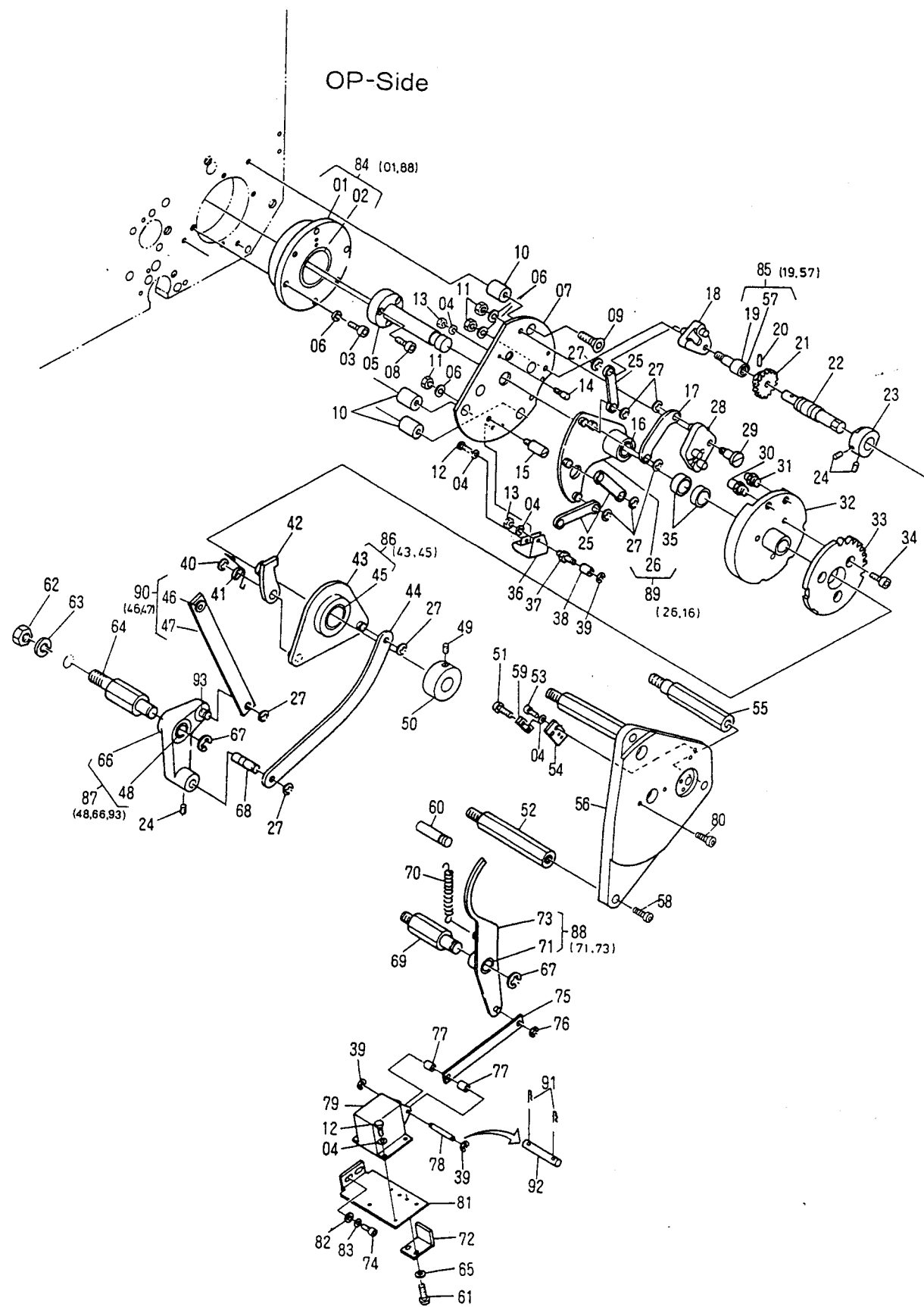


(C 248-2P, C48)

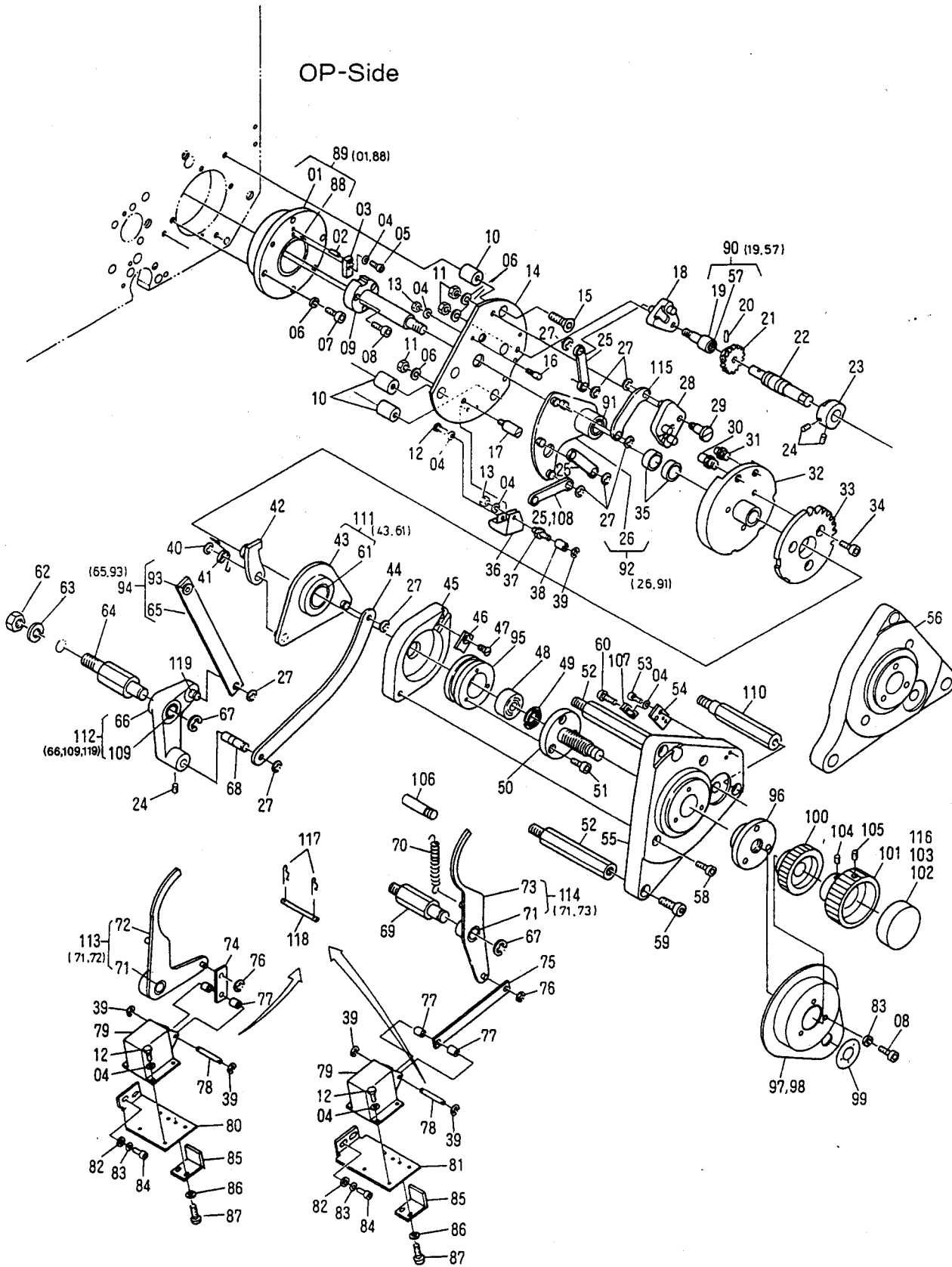
INDEX No.	Parts No.	Description (Remarks)	Unit Per Assy							
			C48	C48L	C48SF	-SF C48L	C248E	C248L	-SF C248E	-SF C248L
01	7203-03018	Roller Shaft (NOP-S)	3	3	3	3	6	6	6	6
02	7203-03014	Screw	6	6	6	6	12	12	12	12
03	C-216A-01	U-Nut	6	6	6	6	12	12	12	12
04	7203-03017	Stud Pin	6	6	6	6	12	12	12	12
05	7203-03016	Screw	6	6	6	6	12	12	12	12
06	7203-03021	Spring	6	6	6	6	12	12	12	12
07	7203-03011	Spring Guide	6	6	6	6	12	12	12	12
08	7203-03013	Screw	6	6	6	6	12	12	12	12
09	I01-520T	Screw	3	3	3	3	6	6	6	6
10	7203-03007	Roller Bracket	3	3	3	3	6	6	6	6
11	181-406	E-Ring	6	6	6	6	12	12	12	12
12	117-408	Screw	4	4	4	4	8	8	8	8
13	7203-03015	Ring	4	4	4	4	8	8	8	8
14	7203-03001A	1st Form Roller (φ52)	1	1	1	1	2	2	2	2
15	I03-49-3	Bearing Spacer (Included in 14, 18, 21)	6	6	6	6	12	12	12	12
16	I03-48-3	Bearing (Brg. 629LL5-C2) (Included in 14, 18, 21)	6	6	6	6	12	12	12	12
17	7203-03004	Form Roller Shaft	3	3	3	3	6	6	6	6
18	7203-03002A	2nd Form Roller (φ54)	1	1	1	1	2	2	2	2
19	183-151	Roll Pin	3	3	3	3	6	6	6	6
20	7203-03009	Roller Shaft (OP-S)	3	3	3	3	6	6	6	6
21	7203-03003A	3rd Form Roller (φ56)	1	1	1	1	2	2	2	2
22	7203-03006	Roller Bracket	1	1	1	1	2	2	2	2
23	7203-03012A	Roller Lever	3	3	3	3	6	6	6	6
24	7203-03010	Bushing	3	3	3	3	6	6	6	6
25	I52-48-1A-3	Handle	3	3	3	3	6	6	6	6
26	181-030	C-Ring	2	2	2	2	4	4	4	4
27	7203-05034	Bearing (Brg. 6806ZZ)	4	4	4	4	8	8	8	8
28	7203-05028	Gear	1	1	1	1	2	2	2	2
29	7203-05028B	Gear & Bearing Assy (27, 28)	1	1	1	1	2	2	2	2
30	7203-05027	Pivot Pin	2	2	2	2	4	4	4	4
31	117-520	Screw	2	2	2	2	4	4	4	4
32	7203-05028A	Gear & Pin Assy (26, 29 ~ 31)	1	1	1	1	2	2	2	2
33	7203-03020	Block	2	2	2	2	4	4	4	4
34	180-105	Lock Washer	2	2	2	2	4	4	4	4
35	7203-03008	Roller Bracket	2	2	2	2	4	4	4	4
36	7203-05002	Gear	1	1	1	1	2	2	2	2
37	7203-05002B	Gear & Bearing Assy (27, 36)	1	1	1	1	2	2	2	2
38	7203-05002A	Gear & Pin Assy (26, 30, 31, 37)	1	1	1	1	2	2	2	2
39	I18-59-1A-3	Snapper	3	3	3	3	6	6	6	6
40	I18-60-3	Nut	3	3	3	3	6	6	6	6
41	7203-03001A	1st Form Roller Assy (14, 15, 16)	1	1	1	1	2	2	2	2
42	7203-03002A	2nd Form Roller Assy (15, 16, 18)	1	1	1	1	2	2	2	2
43	7203-03003A	3rd Form Roller Assy (15, 16, 21)	1	1	1	1	2	2	2	2
44	I18-55-3	Snubber Pin	3	3	3	3	6	6	6	6
45	145-355	Set Screw	3	3	3	3	6	6	6	6
46	145-358	Set Screw	3	3	3	3	6	6	6	6
47	I18-56-3	Spring	3	3	3	3	6	6	6	6
48	I18-54-3	Snubber	3	3	3	3	6	6	6	6
49	7205-02155	Screw	2	2	2	2	4	4	4	4
50	7205-02078	Cover (C248-1P)	0	0	0	0	1	1	1	1
51	7205-02079	Cover (C48, C248-2P)	1	1	1	1	1	1	1	1



INDEX No.	Parts No.	Description (Remarks)	Unit Per Assy							
			C48	C48L	C48SF	-SF C48L	C248E	C248L	-SF C248E	-SF C248L
01	7202-04039	Flange	1	1	1	1	0	0	0	0
02	7202-04036	Bushing	1	1	1	1	0	0	0	0
03	117-518	Screw	4	4	4	4	0	0	0	0
04	180-104	Lock Washer	6	6	6	6	0	0	0	0
05	7202-04075	Shaft	1	1	1	1	0	0	0	0
06	180-106	Lock Washer	7	7	7	7	0	0	0	0
07	7203-08018	Single Lever Plate	1	1	1	1	0	0	0	0
08	117-415	Screw	3	3	3	3	0	0	0	0
09	122-185	Screw	3	3	3	3	0	0	0	0
10	5103-08078	Spacer	3	3	3	3	0	0	0	0
11	170-106	Nut	3	3	3	3	0	0	0	0
12	125-655	Screw	6	6	6	6	0	0	0	0
13	170-104	Nut	4	4	4	4	0	0	0	0
14	118-11-3	Screw	2	2	2	2	0	0	0	0
15	7203-08024	Stopper	1	1	1	1	0	0	0	0
16	243-627	Bushing	1	1	1	1	0	0	0	0
17	7203-08032	Link	1	1	1	1	0	0	0	0
18	7203-08020A	Lever	1	1	1	1	0	0	0	0
19	7203-08023	Pin	1	1	1	1	0	0	0	0
20	183-182	Roll Pin	1	1	1	1	0	0	0	0
21	5103-08011	Gear	1	1	1	1	0	0	0	0
22	5103-08012	Pin	1	1	1	1	0	0	0	0
23	7203-08014	Cam	1	1	1	1	0	0	0	0
24	145-506	Set Screw	3	3	3	3	0	0	0	0
25	7203-08031	Link	3	3	3	3	0	0	0	0
26	7203-08022A	Plate	1	1	1	1	0	0	0	0
27	181-406	E-Ring	9	9	9	9	0	0	0	0
28	7203-08021A	Lever	1	1	1	1	0	0	0	0
29	7203-08033	Pin	1	1	1	1	0	0	0	0
30	118-04-3	Stud Pin	1	1	1	1	0	0	0	0
31	118-03-3	Stud Pin	1	1	1	1	0	0	0	0
32	7203-08019	Single Lever Cam	1	1	1	1	0	0	0	0
33	7203-08026	Gear	1	1	1	1	0	0	0	0
34	117-362	Screw	3	3	3	3	0	0	0	0
35	243-627	Bushing	2	2	2	2	0	0	0	0
36	7203-08025	Bracket	1	1	1	1	0	0	0	0
37	7203-08016	Pivot Pin	1	1	1	1	0	0	0	0
38	CP03-26	Needle Bearing	1	1	1	1	0	0	0	0
39	181-403	E-Ring	2	2	2	2	0	0	0	0
40	181-408	E-Ring	1	1	1	1	0	0	0	0
41	5103-08049	Spring	1	1	1	1	0	0	0	0
42	5103-08020A	Latch	1	1	1	1	0	0	0	0
43	7203-08034A	Lever	1	1	1	1	0	0	0	0
44	7203-08009	Link	1	1	1	1	0	0	0	0
45	243-650	Bushing	1	1	1	1	0	0	0	0
46	7203-08029	Bushing	1	1	1	1	0	0	0	0
47	7203-08012	Link	1	1	1	1	0	0	0	0
48	M02-10-02-3	Bushing	1	1	1	1	0	0	0	0
49	145-510	Set Screw	2	2	2	2	0	0	0	0
50	7202-04076	Collar	1	1	1	1	0	0	0	0
51		Screw	2	2	2	2	0	0	0	0
52	7202-04062	Stud	2	2	2	2	0	0	0	0
53	117-410	Screw	2	2	2	2	0	0	0	0
54	7203-08015	Bracket	1	1	1	1	0	0	0	0
55	7202-04171	Stud	1	1	1	1	0	0	0	0
56	7202-04074	Bracket	1	1	1	1	0	0	0	0
57	243-608	Bushing								
58	117-480	Screw	3	3	3	3	0	0	0	0
59	E10-52-3	Limit Switch	2	2	2	2	0	0	0	0
60	7203-08035	Pin	1	1	1	1	0	0	0	0
61	125-606	Screw	2	2	2	2	0	0	0	0
62	170-112	Nut	1	1	1	1	0	0	0	0
63	180-112	Lock Washer	1	1	1	1	0	0	0	0
64	7203-08037	Stud	1	1	1	1	0	0	0	0
65	184-103	Flat Washer	2	2	2	2	0	0	0	0
66	7203-08036	Lever	1	1	1	1	0	0	0	0
67	181-410	E-Ring	2	2	2	2	0	0	0	0
68	7203-08028	Joint Pin	1	1	1	1	0	0	0	0
69	7203-08005	Stud	1	1	1	1	0	0	0	0
70	I28-31-01-3	Spring	1	1	1	1	0	0	0	0



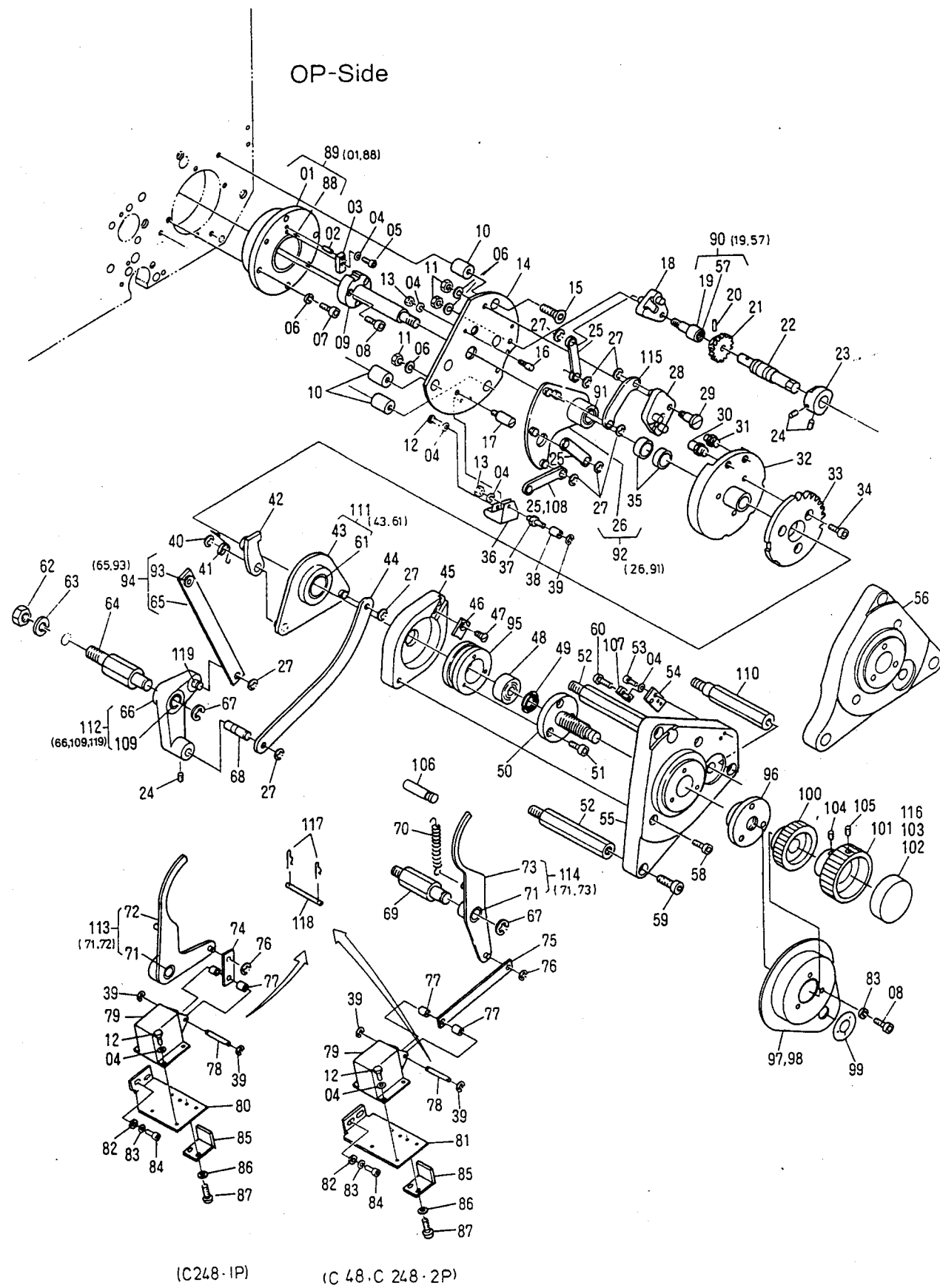
INDEX No.	Parts No.	Description (Remarks)	Unit Per Assy							
			C48	C48L	C48SF	-SF C48L	C248E	C248L	-SF C248E	-SF C248L
71	243-619	Bushing	1	1	1	1	0	0	0	0
72	5103-08116	Stopper	1	1	1	1	0	0	0	0
73	7203-08002A	Lever	1	1	1	1	0	0	0	0
74	117-510	Screw	2	2	2	2	0	0	0	0
75	7203-08008	Link	1	1	1	1	0	0	0	0
76	181-404	E-Ring	1	1	1	1	0	0	0	0
77	H03-36-3	Spacer	2	2	2	2	0	0	0	0
78	H03-37-3	Pin	1	1	1	1	0	0	0	0
79	E09-51-3	Solenoid	1	1	1	1	0	0	0	0
80	117-522	Screw	2	2	2	2	0	0	0	0
81	7203-08003	Solenoid Bracket	1	1	1	1	0	0	0	0
82	184-105	Flat Washer	2	2	2	2	0	0	0	0
83	180-105	Lock Washer	2	2	2	2	0	0	0	0
84	7202-04039A	Flange Assy	(01, 02)	1	1	1	1	0	0	0
85	7203-08023A	Pin Assy	(19, 57)	1	1	1	1	0	0	0
86	7203-08034B	Lever Assy	(43, 45)	1	1	1	1	0	0	0
87	7203-08036B	Lever Assy	(48, 66)	1	1	1	1	0	0	0
88	7203-08002B	Lever Assy	(71, 73)	1	1	1	1	0	0	0
89	7203-08022B	Plate Assy	(16, 26)	1	1	1	1	0	0	0
90	7203-08012A	Link Assy	(46, 47)	1	1	1	1	0	0	0
91	6801-03014	Snap Pin	2	2	2	2	0	0	0	0
92	6801-03013	Solenoid Pin	1	1	1	1	0	0	0	0
93	224-816.02	Pin	1	1	1	1	0	0	0	0



(C248-1P)

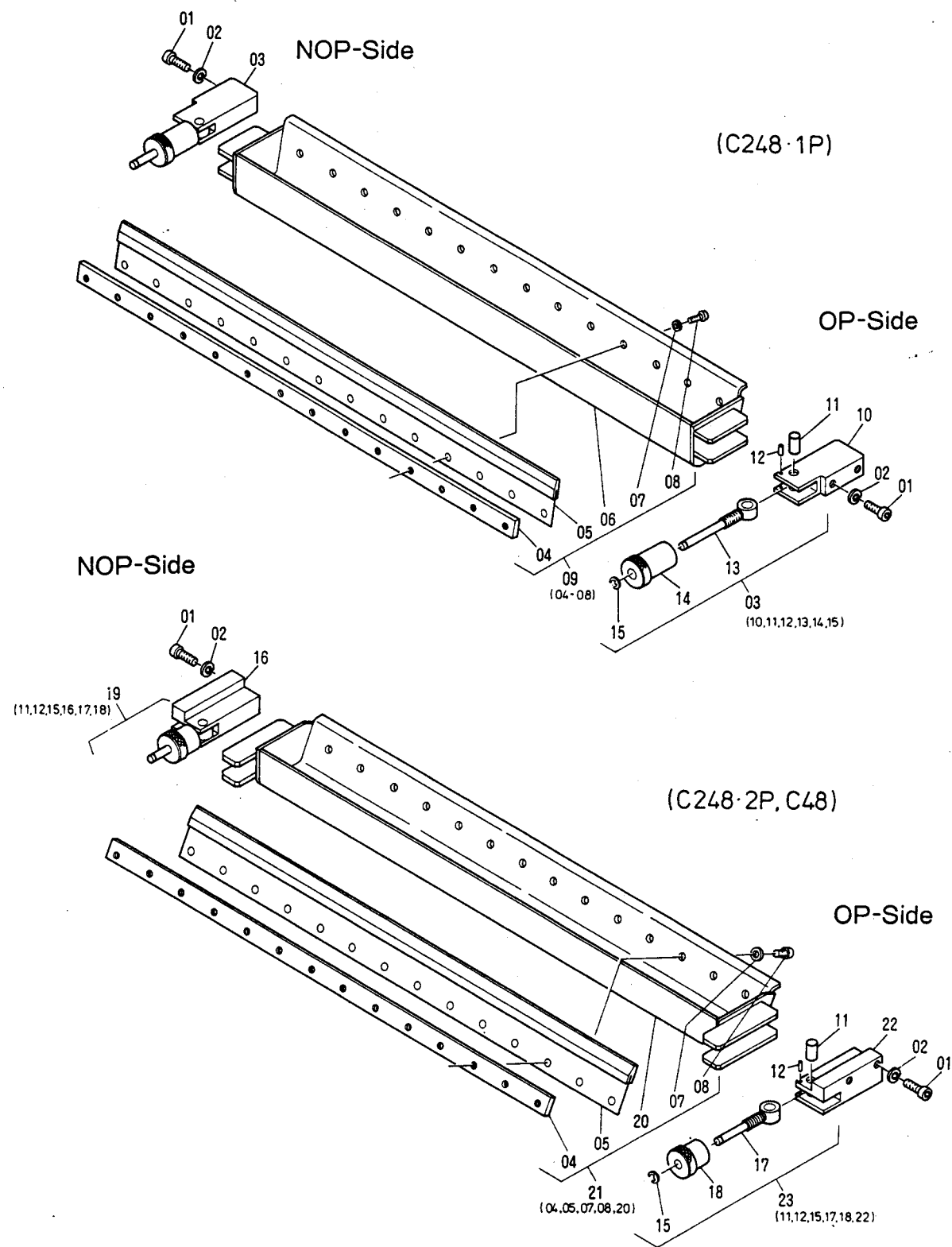
(C 48.C 248-2P)

INDEX No.	Parts No.	Description (Remarks)	Unit Per Assy							
			C48	C48L	C48SF	-SF C48L	C248E	C248L	-SF C248E	-SF C248L
01	7202-04039	Flange	0	0	0	0	2	2	2	2
02	183-151	Roll Pin	0	0	0	0	2	2	2	2
03	7202-04170	Key	0	0	0	0	2	2	2	2
04	180-104	Lock Washer	0	0	0	0	14	14	14	14
05	117-412	Screw	0	0	0	0	2	2	2	2
06	180-106	Lock Washer	0	0	0	0	8	8	8	8
07	117-518	Screw	0	0	0	0	8	8	8	8
08	117-512	Screw	0	0	0	0	6	6	6	6
09	7202-04169	Shaft	0	0	0	0	2	2	2	2
10	5103-08078	Spacer	0	0	0	0	6	6	6	6
11	170-106	Nut	0	0	0	0	6	6	6	6
12	125-655	Screw	0	0	0	0	10	10	10	10
13	170-104	Nut	0	0	0	0	2	2	2	2
14	7203-08018	Single Lever Plate	0	0	0	0	2	2	2	2
15	122-185	Screw	0	0	0	0	6	6	6	6
16	118-11-3	Screw	0	0	0	0	4	4	4	4
17	7203-08024	Stopper	0	0	0	0	2	2	2	2
18	7203-08020A	Lever	0	0	0	0	2	2	2	2
19	7203-08023	Pin	0	0	0	0	2	2	2	2
20	183-182	Roll Pin	0	0	0	0	2	2	2	2
21	5103-08011	Gear	0	0	0	0	2	2	2	2
22	5103-08012	Pin	0	0	0	0	2	2	2	2
23	7203-08014	Cam	0	0	0	0	2	2	2	2
24	145-506	Set Screw	0	0	0	0	6	6	6	6
25	7203-08031	Link	0	0	0	0	5	5	5	5
26	7203-08022A	Plate	0	0	0	0	2	2	2	2
27	181-406	E-Ring	0	0	0	0	14	14	14	14
28	7203-08021A	Lever	0	0	0	0	2	2	2	2
29	7203-08033	Pin	0	0	0	0	2	2	2	2
30	118-04-3	Stud Pin	0	0	0	0	2	2	2	2
31	118-03-3	Stud Pin	0	0	0	0	2	2	2	2
32	7203-08019	Single Lever Cam	0	0	0	0	2	2	2	2
33	7203-08026	Gear	0	0	0	0	2	2	2	2
34	117-362	Screw	0	0	0	0	6	6	6	6
35	243-627	Bushing (Included in 26)	0	0	0	0	4	4	4	4
36	7203-08025	Bracket	0	0	0	0	2	2	2	2
37	7203-08016	Pivot Pin	0	0	0	0	2	2	2	2
38	CP03-26	Needle Bearing	0	0	0	0	2	2	2	2
39	181-403	E-Ring	0	0	0	0	4	4	4	4
40	181-408	E-Ring	0	0	0	0	2	2	2	2
41	5103-08049	Spring	0	0	0	0	2	2	2	2
42	5103-08020A	Latch	0	0	0	0	2	2	2	2
43	7203-08034A	Lever	0	0	0	0	2	2	2	2
44	7203-08009	Link	0	0	0	0	2	2	2	2
45	5102-16023	Spacer	0	0	0	0	2	2	2	2
46	7202-04091	Key Plate	0	0	0	0	2	2	2	2
47	122-115	Screw	0	0	0	0	2	2	2	2
48	7202-04180	Bearing (Brg. 5200)	0	0	0	0	2	2	2	2
49	7202-04094	U-Nut	0	0	0	0	2	2	2	2
50	7202-04046	Adjustment Shaft	0	0	0	0	2	2	2	2
51	117-515	Screw	0	0	0	0	6	6	6	6
52	7202-04062	Stud	0	0	0	0	5	5	5	5
53	117-410	Screw	0	0	0	0	4	4	4	4
54	7203-08015	Bracket	0	0	0	0	2	2	2	2
55	7202-04064	Bracket (C248-2P)	0	0	0	0	1	1	1	1
56	7202-04063	Bracket (C248-1P)	0	0	0	0	1	1	1	1
57	243-608	Bushing	0	0	0	0	2	2	2	2
58	117-375	Screw	0	0	0	0	2	2	2	2
59	117-480	Screw	0	0	0	0	2	2	2	2
60	125-216	Screw	0	0	0	0	2	2	2	2
61	243-650	Bushing	0	0	0	0	4	4	4	4
62	170-112	Nut	0	0	0	0	2	2	2	2
63	180-112	Lock Washer	0	0	0	0	2	2	2	2
64	7203-08037	Stud	0	0	0	0	2	2	2	2
65	7203-08012	Link	0	0	0	0	2	2	2	2
66	7203-08036	Lever	0	0	0	0	2	2	2	2
67	181-410	E-Ring	0	0	0	0	4	4	4	4
68	7203-08028	Joint Pin	0	0	0	0	2	2	2	2
69	7203-08005	Stud	0	0	0	0	2	2	2	2
70	128-31-01-3	Spring	0	0	0	0	2	2	2	2

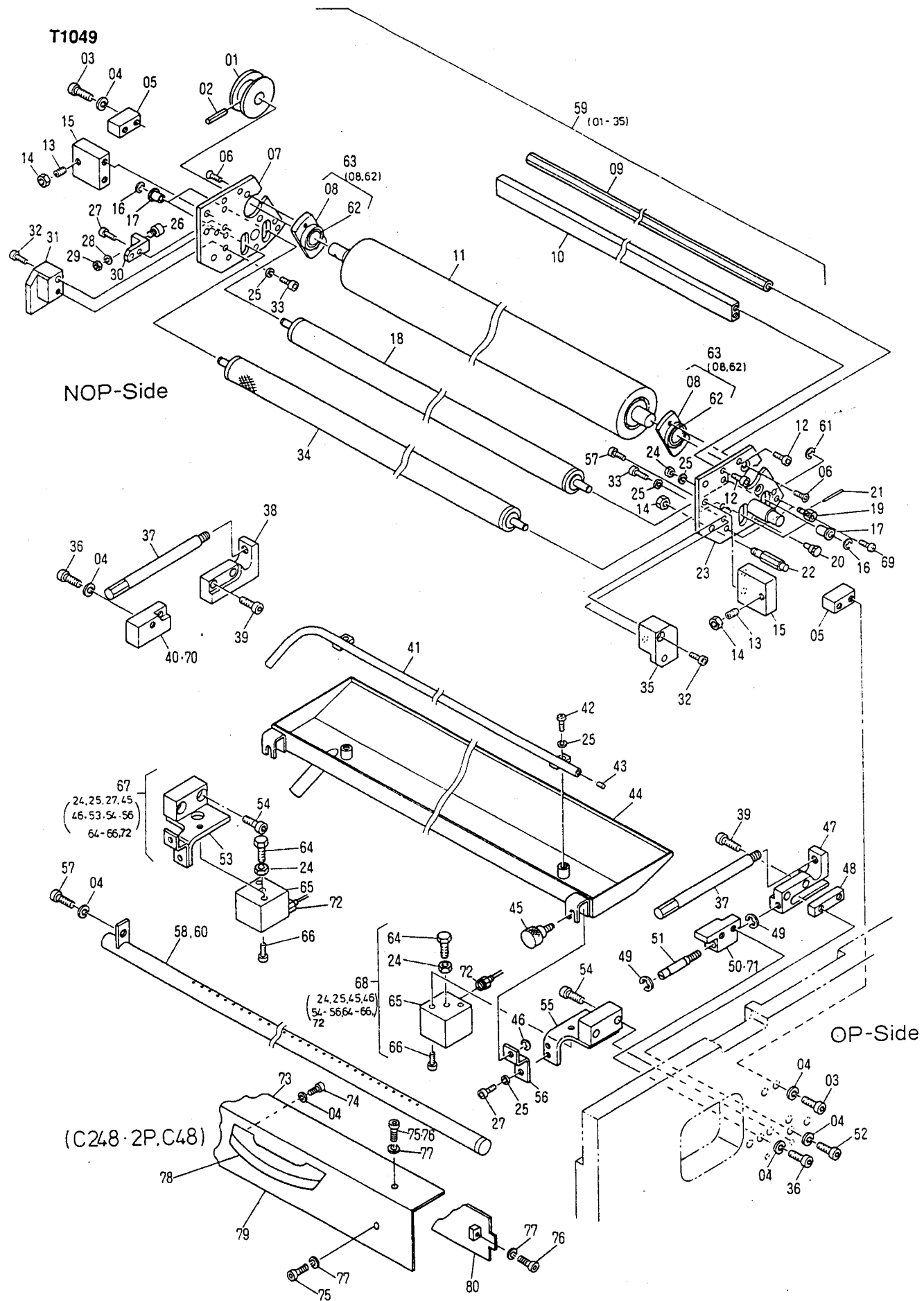


Single Lever Mechanism (C248-1P-2P)

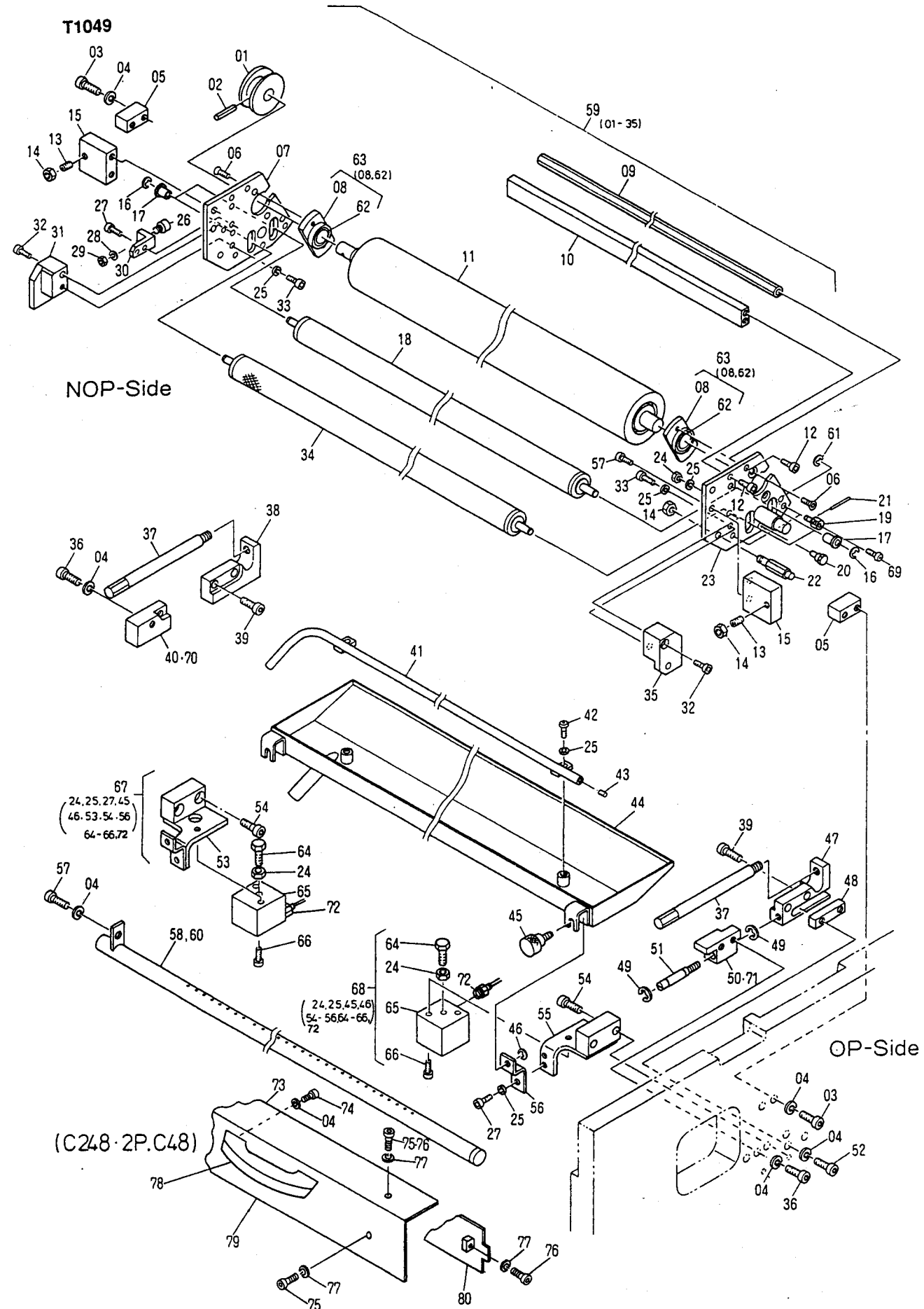
INDEX No.	Parts No.	Description (Remarks)	Unit Per Assy							
			C48	C48L	C48SF	-SF C48L	C248E	C248L	-SF C248E	-SF C248L
71	243-619	Bushing (Included in 72, 73)	0	0	0	0	2	2	2	2
72	7203-08001A	Lever (C248-1P)	0	0	0	0	1	1	1	1
73	7203-08002A	Lever (C248-2P)	0	0	0	0	1	1	1	1
74	7203-08007	Link (C248-1P)	0	0	0	0	1	1	1	1
75	7203-08008	Link (C248-2P)	0	0	0	0	1	1	1	1
76	181-404	E-Ring	0	0	0	0	2	2	2	2
77	H03-36-3	Spacer	0	0	0	0	4	4	4	4
78	H03-37-3	Joint Pin	0	0	0	0	2	2	2	2
79	E09-51-3	Solenoid	0	0	0	0	2	2	2	2
80	7203-08004	Solenoid Bracket (C248-1P)	0	0	0	0	1	1	1	1
81	7203-08003	Solenoid Bracket (C248-2P)	0	0	0	0	1	1	1	1
82	184-105	Flat Washer	0	0	0	0	4	4	4	4
83	180-105	Lock Washer	0	0	0	0	4	4	4	4
84	117-510	Screw	0	0	0	0	4	4	4	4
85	5103-08116	Stopper	0	0	0	0	2	2	2	2
86	184-103	Flat Washer	0	0	0	0	4	4	4	4
87	125-606	Screw	0	0	0	0	4	4	4	4
88	7202-04036	Bushing	0	0	0	0	2	2	2	2
89	7202-04039A	Flange Assy (Included 01, 88)	0	0	0	0	2	2	2	2
90	7203-08023A	Pin Assy (Included 19, 57)	0	0	0	0	2	2	2	2
91	243-627	Bushing	0	0	0	0	2	2	2	2
92	7203-08022B	Level Assy (Included 26, 91)	0	0	0	0	2	2	2	2
93	7203-08029	Bushing	0	0	0	0	2	2	2	2
94	7203-08012A	Link Assy (Included 65, 93)	0	0	0	0	2	2	2	2
95	7202-04044	Bearing Housing	0	0	0	0	2	2	2	2
96	7202-04045	Flange	0	0	0	0	2	2	2	2
97	7205-02044	Cover (for C248-1P)	0	0	0	0	1	1	1	1
98	7205-02045	Cover (for C248-2P)	0	0	0	0	1	1	1	1
99	7205-04018	Name Plate	0	0	0	0	2	2	2	2
100	7202-04084	Lock Nut	0	0	0	0	2	2	2	2
101	7202-04085	Knob	0	0	0	0	2	2	2	2
102	7202-04067	Index (Japanese) O.L.D	0	0	0	0	2	2	2	2
103	7202-04146	Index (English) O.L.D	0	0	0	0	2	2	2	2
104	145-510	Set Screw	0	0	0	0	4	4	4	4
105	145-505	Set Screw	0	0	0	0	2	2	2	2
106	7203-08035	Pin	0	0	0	0	2	2	2	2
107	E10-52-3	Limit Switch	0	0	0	0	4	4	4	4
108	7203-08011	Link (1P-for 3rd Ink Form Roller)	0	0	0	0	1	1	1	1
109	M02-10-02-3	Bushing	0	0	0	0	2	2	2	2
110	7202-04171	Stud	0	0	0	0	1	1	1	1
111	7203-08034B	Lever Assy (43, 61)	0	0	0	0	2	2	2	2
112	7203-08036B	Lever Assy (66, 109)	0	0	0	0	2	2	2	2
113	7203-08001B	Lever Assy (C248-1P) (71, 72)	0	0	0	0	1	1	1	1
114	7203-08002B	Lever Assy (C248-2P) (71, 73)	0	0	0	0	1	1	1	1
115	7203-08032	Link	0	0	0	0	2	2	2	2
116	7202-04183	Indicator	0	0	0	0	2	2	2	2
117	6801-03014	Snap Pin	0	0	0	0	4	4	4	4
118	6801-03013	Solenoid Pin	0	0	0	0	2	2	2	2
119	224-816.02	Pin	0	0	0	0	2	2	2	2



INDEX No.	Parts No.	Description (Remarks)	Unit Per Assy							
			C48	C48L	C48SF	-SF C48L	C248E	C248L	-SF C248E	-SF C248L
01	117-380	Screw	4	4	4	4	8	8	8	8
02	180-106	Lock Washer	4	4	4	4	8	8	8	8
03	7203-07045A	Bracket Assy (10, 11, 12, 13, 14, 15) (for C248 1P)	0	0	0	0	2	2	2	2
04	7203-07044	Blade Retainer	1	1	1	1	2	2	2	2
05	7203-07043	Clean-up Attachment Blade	1	1	1	1	2	2	2	2
06	7203-07041	Tray (for C248 1P)	0	0	0	0	1	1	1	1
07	184-105	Lock Washer	14	14	14	14	28	28	28	28
08	125-710	Screw	14	14	14	14	28	28	28	28
09	7203-07041B	Clean-up Attachment Assy (04 ~ 08) (for C248 1P)	0	0	0	0	1	1	1	1
10	7203-07045	Bracket (for C248 1P)	0	0	0	0	2	2	2	2
11	183-282	Roll Pin	2	2	2	2	4	4	4	4
12	183-149	Roll Pin	2	2	2	2	4	4	4	4
13	7203-07048	Mounting Link (for C248 1P)	0	0	0	0	2	2	2	2
14	7203-07050	Thumb Screw (for C248 1P)	0	0	0	0	2	2	2	2
15	181-404	E-Ring	2	2	2	2	4	4	4	4
16	7203-07047	Bracket (for C48, C248-2P) (NOP-S)	1	1	1	1	1	1	1	1
17	7203-07049	Mounting Link (for C48, C248-2P)	2	2	2	2	2	2	2	2
18	7203-07051	Thumb Screw (for C48, C248-2P)	2	2	2	2	2	2	2	2
19	7203-07047A	Bracket Assy (11,12,15,16,17,18) (for C48, C248-2P) (NOP-S)	1	1	1	1	1	1	1	1
20	7203-07042	Tray (for C48, C248-2P)	1	1	1	1	1	1	1	1
21	7203-07042B	Clean-up Attachment Assy (for C48, C248-2P)	1	1	1	1	1	1	1	1
22	7203-07046	Bracket (for C48, C248-2P)	1	1	1	1	1	1	1	1
23	7203-07046A	Bracket Assy (11, 12, 15, 17, 18, 22) (for C48, C248-2P) (OP-S)	1	1	1	1	1	1	1	1



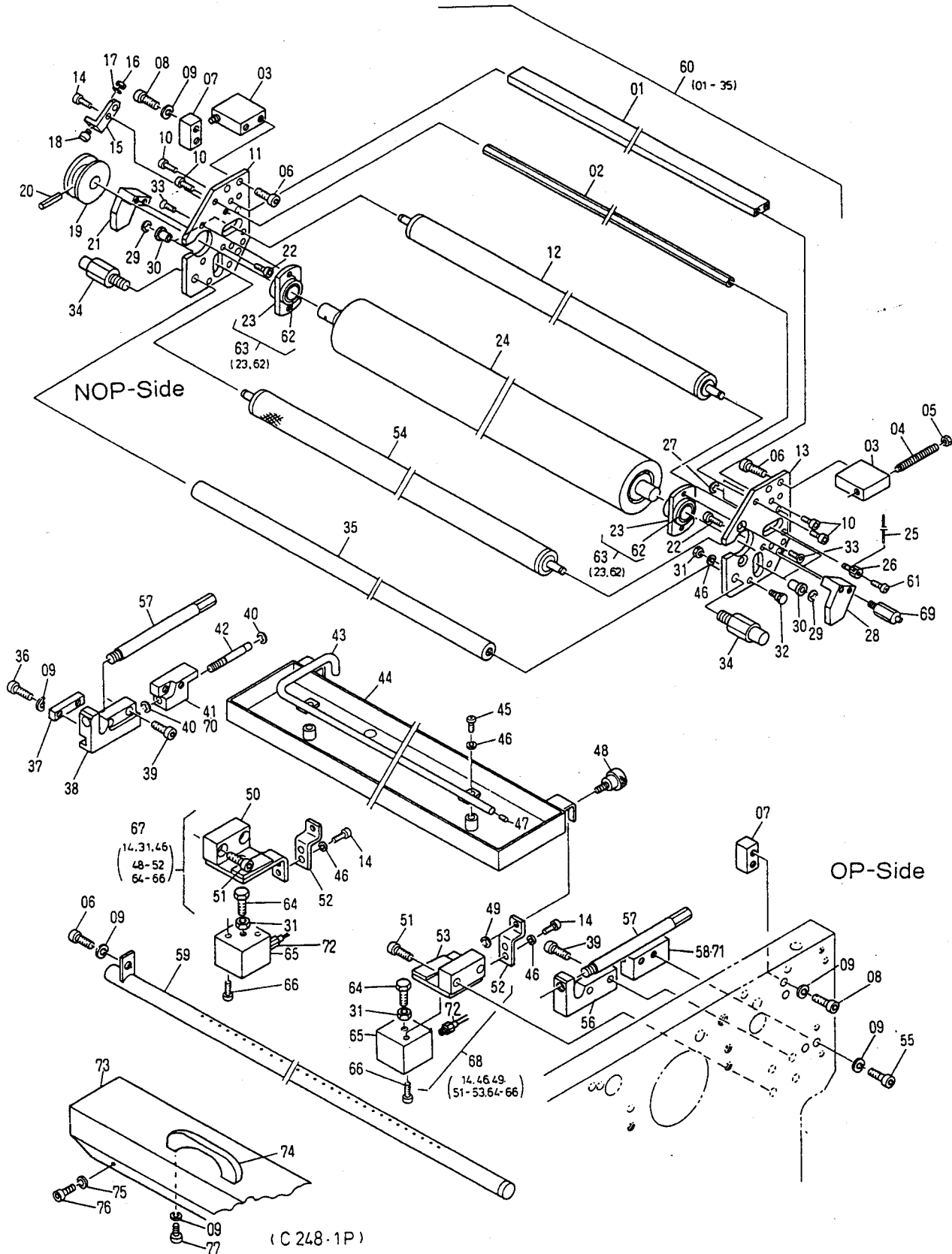
INDEX No.	Parts No.	Description (Remarks)	Unit Per Assy								
			C48	C48L	C48SF	-SF C48L	C248E	C248L	-SF C248E	-SF C248L	
01	7203-09111	Drive Cam	1	1	1	1	1	1	1	1	1
02	183-206	Roll Pin	1	1	1	1	1	1	1	1	1
03	117-383	Screw	4	4	4	4	4	4	4	4	4
04	180-106	Lock Washer	11	11	11	11	11	11	11	11	11
05	7203-09138	Block	2	2	2	2	2	2	2	2	2
06	122-110	Screw	4	4	4	4	4	4	4	4	4
07	7203-09104A	Frame	1	1	1	1	1	1	1	1	1
08	7203-09110	Bushing	2	2	2	2	2	2	2	2	2
09	7203-09113	Spreader	1	1	1	1	1	1	1	1	1
10	7203-09112	Spreader	1	1	1	1	1	1	1	1	1
11	7203-09107	Rubber Roller	1	1	1	1	1	1	1	1	1
12	117-512	Screw	6	6	6	6	6	6	6	6	6
13	140-375	Set Screw	2	2	2	2	2	2	2	2	2
14	170-106	Nut	4	4	4	4	4	4	4	4	4
15	7203-09137	Block	2	2	2	2	2	2	2	2	2
16	181-406	E-Ring	4	4	4	4	4	4	4	4	4
17	5103-09157	Bushing	4	4	4	4	4	4	4	4	4
18	7203-09108	Metal Roller	1	1	1	1	1	1	1	1	1
19	5103-09159	Spring Pin	4	4	4	4	4	4	4	4	4
20	5103-09158	Pin	2	2	2	2	2	2	2	2	2
21	7203-09145	Spring	4	4	4	4	4	4	4	4	4
22	7203-09125	Stud	2	2	2	2	2	2	2	2	2
23	7203-09103A	Frame	1	1	1	1	1	1	1	1	1
24	170-105	Nut	4	4	4	4	4	4	4	4	4
25	180-105	Lock Washer	11	11	11	11	11	11	11	11	11
26	5203-09006	Cam Follower	1	1	1	1	1	1	1	1	1
27	117-510	Screw	4	4	4	4	4	4	4	4	4
28	180-104.01	Lock Washer	1	1	1	1	1	1	1	1	1
29	170-104.01	Nut	1	1	1	1	1	1	1	1	1
30	7203-09114	Bracket	1	1	1	1	1	1	1	1	1
31	7203-09134	Stopper	1	1	1	1	1	1	1	1	1
32	117-520	Screw	2	2	2	2	2	2	2	2	2
33	117-515	Screw	2	2	2	2	2	2	2	2	2
34	7203-09109	Squeeze Roller	1	1	1	1	1	1	1	1	1
35	7203-09133	Stopper	1	1	1	1	1	1	1	1	1
36	117-382	Screw	4	4	4	4	4	4	4	4	4
37	7203-09123	Guide	2	2	2	2	2	2	2	2	2
38	7203-09118	Block	1	1	1	1	1	1	1	1	1
39	117-372	Screw	4	4	4	4	4	4	4	4	4
40	7203-09115	Block (-CT-1L030)	1	1	1	1	1	1	1	1	1
41	7203-09139	Pipe	1	1	1	1	1	1	1	1	1
42	125-708	Screw	2	2	2	2	2	2	2	2	2
43	145-510.01	Set Screw	1	1	1	1	1	1	1	1	1
44	7203-09105	Tray	1	1	1	1	1	1	1	1	1
45	7203-09156	Thumb Screw	2	2	2	2	2	2	2	2	2
46	181-403	E-Ring	2	2	2	2	2	2	2	2	2
47	7203-09117	Block	1	1	1	1	1	1	1	1	1
48	7203-09121	Key	1	1	1	1	1	1	1	1	1
49	181-405	E-Ring	2	2	2	2	2	2	2	2	2
50	7203-09119	Block (-CT-1L030)	1	1	1	1	1	1	1	1	1
51	7203-09122	Adjustment Screw	1	1	1	1	1	1	1	1	1
52	117-381	Screw	2	2	2	2	2	2	2	2	2
53	7203-09130	Bracket	1	1	1	1	1	1	1	1	1
54	117-368	Screw	4	4	4	4	4	4	4	4	4
55	7203-09129	Bracket	1	1	1	1	1	1	1	1	1
56	7203-09132	Bracket	2	2	2	2	2	2	2	2	2
57	117-365	Screw	1	1	1	1	1	1	1	1	1
58	7203-09155	Air Pipe (C248-2P)	0	0	0	0	0	0	0	0	0
59	7203-09103B	Blanket Cleaner Assy	1	1	1	1	1	1	1	1	1
60	7203-09154	Air Pipe (C48)	1	1	1	1	0	0	0	0	0
61	181-404	E-Ring	4	4	4	4	4	4	4	4	4
62	5203-02051	Bushing	2	2	2	2	2	2	2	2	2
63	7203-09110A	Bushing Assy	2	2	2	2	2	2	2	2	2
64	101-525	Screw	2	2	2	2	2	2	2	2	2
65	6203-09070A	Air Cleaner	2	2	2	2	2	2	2	2	2
66	117-530	Screw	4	4	4	4	4	4	4	4	4
67	7203-09130B	Air Cylinder Assy (24, 25, 27, 45, 46, 53, 54, 56, 64-66)	1	1	1	1	1	1	1	1	1
68	7203-09129B	Air Cylinder Assy (24, 25, 27, 45, 46, 54-56, 64-66)	1	1	1	1	1	1	1	1	1
69	125-656	Screw	4	4	4	4	8	8	8	8	8
70	7203-09188	Block (CT-1L031-)	1	1	1	1	1	1	1	1	1



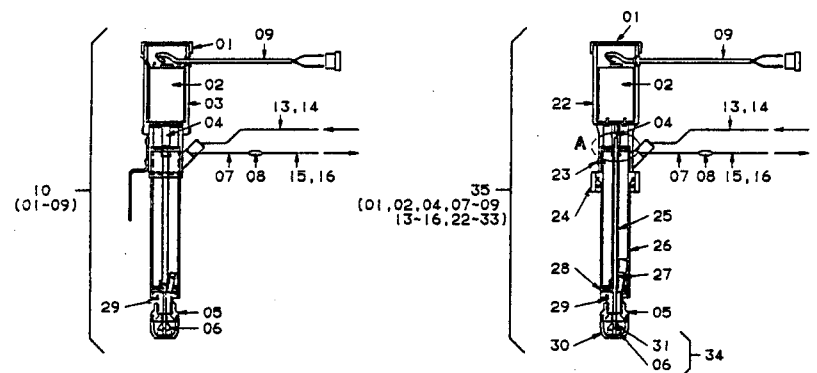
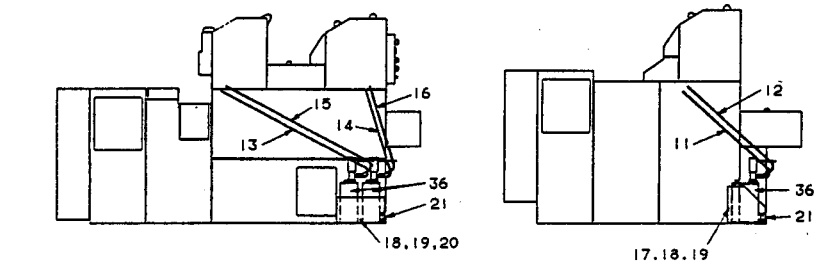
Blanket Cleaner (C248-2P, C48)

T1049 (2)

INDEX No.	Parts No.	Description (Remarks)	Units Per Assy									
			C48	C48L	C48SF	-SF C48L	C248E	C248L	-SF C248E	-SF C248L		
71	7203-09187	Block (CF-11.031 -)	1	1	1	1	1	1	1	1	1	1
72	6203-09068	Plug	2	2	2	2	2	2	2	2	2	2
73	7203-09141	Cover	1	1	1	1	1	1	1	1	1	1
74	117-375	Screw	2	2	2	2	2	2	2	2	2	2
75	117-408	Screw (C248 - 2P)	0	0	0	0	1	1	1	1	1	1
76	117-412	Screw (C48)	1	1	1	1	0	0	0	0	0	0
77	180-104	Lock Washer	6	6	6	6	6	6	6	6	6	6
78	5103-09136	Handle	1	1	1	1	1	1	1	1	1	1
79	7203-09142	Cover	1	1	1	1	1	1	1	1	1	1
80	7203-09143	Cover	1	1	1	1	1	1	1	1	1	1

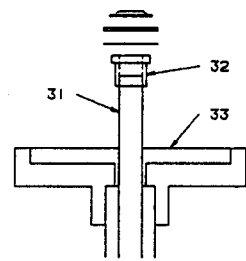


INDEX No.	Parts No.	Description (Remarks)	Unit Per Assy							
			C48	C48L	C48SF	-SF C48L	C248E	C248L	-SF C248E	-SF C248L
01	7203-09112	Spreader	0	0	0	0	1	1	1	1
02	7203-09113	Spreader	0	0	0	0	1	1	1	1
03	7203-09128	Block	0	0	0	0	2	2	2	2
04	140-383	Set Screw	0	0	0	0	2	2	2	2
05	170-106	Nut	0	0	0	0	2	2	2	2
06	117-365	Screw	0	0	0	0	5	5	5	5
07	7203-09138	Block	0	0	0	0	2	2	2	2
08	117-383	Screw	0	0	0	0	4	4	4	4
09	180-106	Lock Washer	0	0	0	0	9	9	9	9
10	117-512	Screw	0	0	0	0	6	6	6	6
11	7203-09102	Frame	0	0	0	0	1	1	1	1
12	7203-09108	Metal Roller	0	0	0	0	1	1	1	1
13	7203-09101	Frame	0	0	0	0	1	1	1	1
14	117-510	Screw	0	0	0	0	6	6	6	6
15	7203-09114	Bracket	0	0	0	0	1	1	1	1
16	170-104.01	Nut	0	0	0	0	1	1	1	1
17	180-104.01	Lock Washer	0	0	0	0	1	1	1	1
18	5203-09006	Cam Follower	0	0	0	0	1	1	1	1
19	7203-09111	Cam	0	0	0	0	1	1	1	1
20	183-206	Roll Pin	0	0	0	0	1	1	1	1
21	7203-09136	Stopper	0	0	0	0	1	1	1	1
22	117-512	Screw	0	0	0	0	4	4	4	4
23	7203-09110	Bushing	0	0	0	0	2	2	2	2
24	7203-09107	Rubber Roller	0	0	0	0	1	1	1	1
25	7203-09146	Spring	0	0	0	0	2	2	2	2
26	5103-09159	Spring Pin	0	0	0	0	4	4	4	4
27	181-404	E-Ring	0	0	0	0	4	4	4	4
28	7203-09135	Stopper	0	0	0	0	1	1	1	1
29	181-406	E-Ring	0	0	0	0	4	4	4	4
30	5103-09157	Bushing	0	0	0	0	4	4	4	4
31	170-105	Nut	0	0	0	0	6	6	6	6
32	5103-09158	Pin	0	0	0	0	4	4	4	4
33	122-110	Screw	0	0	0	0	4	4	4	4
34	7203-09126	Stud	0	0	0	0	2	2	2	2
35	7203-09127	Spreader	0	0	0	0	1	1	1	1
36	117-381	Screw	0	0	0	0	2	2	2	2
37	7203-09121	Key	0	0	0	0	1	1	1	1
38	7203-09117	Block	0	0	0	0	1	1	1	1
39	117-372	Screw	0	0	0	0	4	4	4	4
40	181-405	E-Ring	0	0	0	0	2	2	2	2
41	7203-09119	Block								
42	7203-09122	Adjustment Screw								
43	7203-09140	Pipe								
44	7203-09106	Tray								
45	125-708	Screw								
46	180-105	Lock Washer								
47	145-510.01	Set Screw								
48	7203-09156	Thumb Screw								
49	181-403	E-Ring								
50	7203-09129	Bracket								
51	117-368	Screw								
52	7203-09132	Bracket								
53	7203-09130	Bracket								
54	7203-09109	Roller								
55	117-382	Screw								
56	7203-09118	Block								
57	7203-09123	Guide								
58	7203-09115	Block								
59	7203-09155	Air Pipe								
60	7203-09101A	Blanket Cleaner Assy(01-35)								
61	125-656	Screw								
62	5203-02051	Bushing								
63	7203-09110A	Bushing Assy (23, 62)								
64	101-525	Screw								
65	6203-09070A	Air Cylinder								
66	117-530	Screw								
67	7203-09129B	Air Cylinder Assy (14, 31, 46, 48, 52, 64-66)								
68	7203-09130B	Air Cylinder Assy (14, 46, 49, 51-53, 64-66)								
69	7203-09125	Stud								
70	7203-09187	Block								



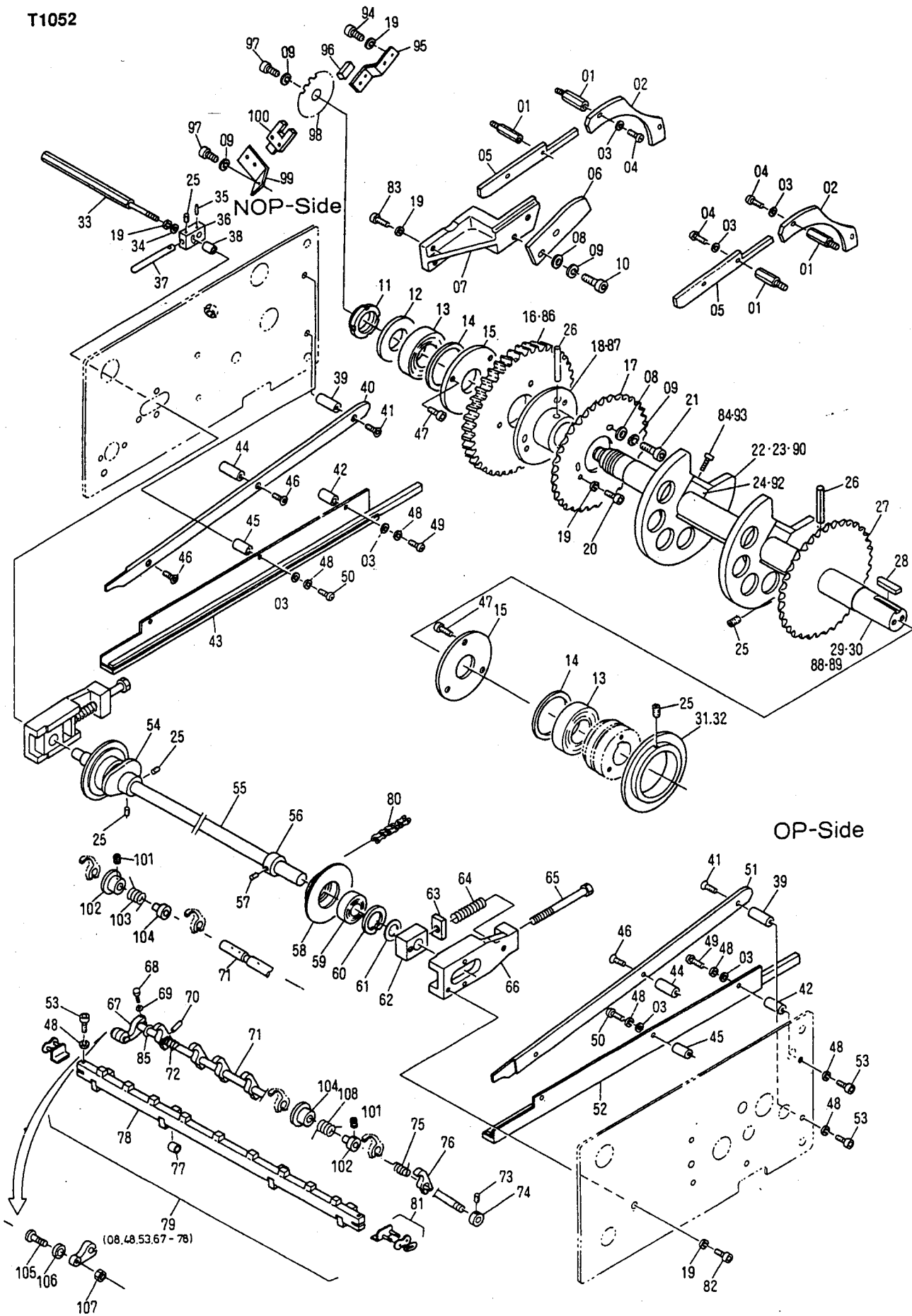
OLD TYPE

NEW TYPE



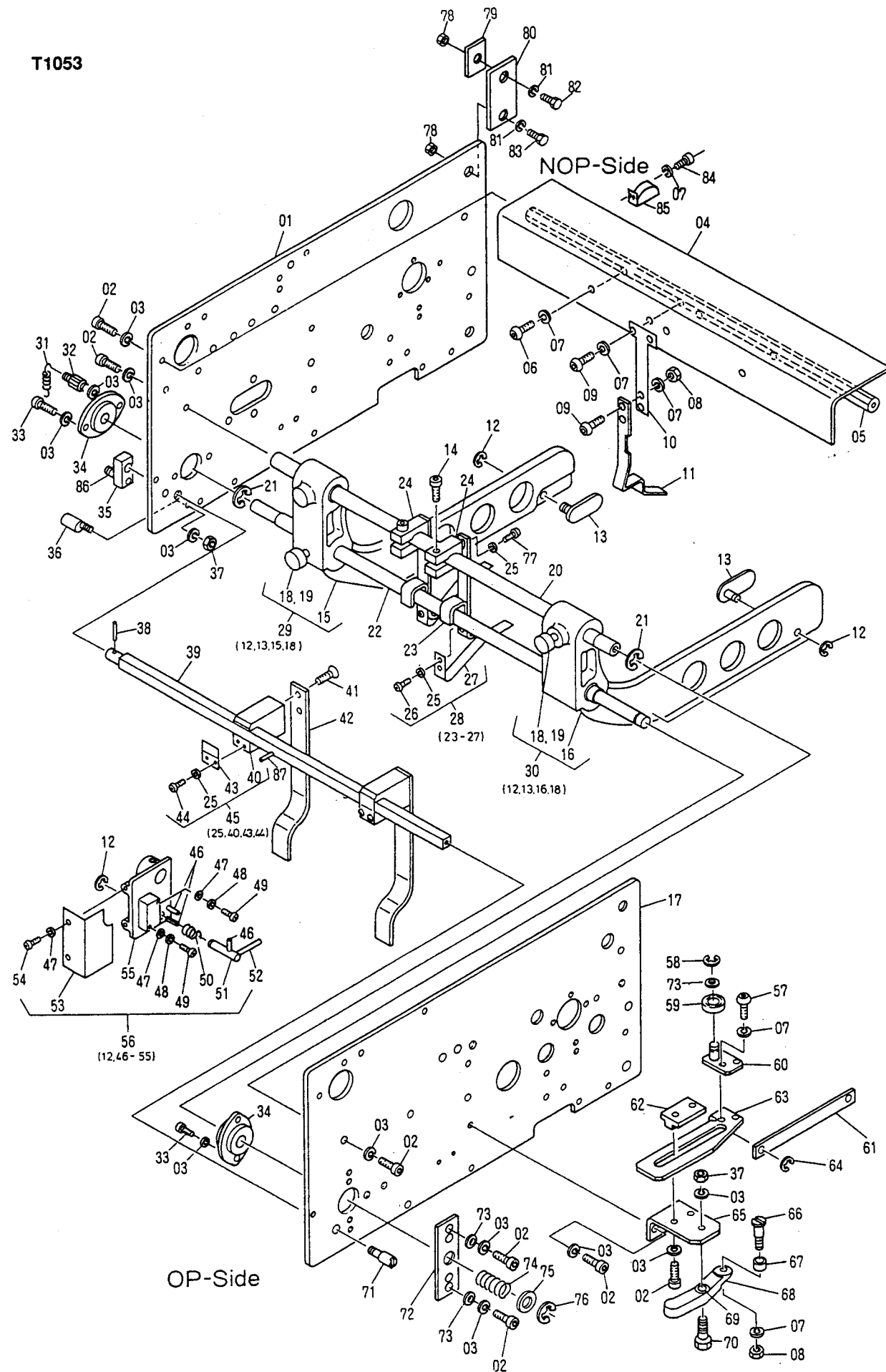
DETAIL A

INDEX No.	Parts No.	Description (Remarks)	Unit Per Assy							
			C48	C48L	C48SF	-SF C48L	C248E	C248L	-SF C248E	-SF C248L
01	6003-09047	Cap (C48, C48L, C48SF, C48L.SF Option)	1	1	1	1	-	2	-	2
02	E01-111-3	Motor	1	1	1	1	-	2	-	2
03	6003-09046	Motor Case	1	1	1	1	-	2	-	2
04	6003-09036	Joint	1	1	1	1	-	2	-	2
05	6003-09017	Cap	1	1	1	1	-	2	-	2
06	6003-09019	Fan	1	1	1	1	-	2	-	2
07	6003-09057	Hose (ø5 x 200 l)	1	1	1	1	-	2	-	2
08	6003-09045	Hose Union	1	1	1	1	-	2	-	2
09	E34-65-66-3	Wire Assy	1	1	1	1	-	2	-	2
10	6003-09035C	Pump Assy (01-09)	1	1	1	1	-	2	-	2
11	7203-09161	Hose (ø9)	1	1	1	1	-	0	-	0
12	7203-09157	Hose (ø5)	1	1	1	1	-	0	-	0
13	7203-09182	Hose (ø9)	0	0	0	0	-	1	-	1
14	7203-09183	Hose (ø9)	0	0	0	0	-	1	-	1
15	7203-09178	Hose (ø5)	0	0	0	0	-	1	-	1
16	7203-09179	Hose (ø5)	0	0	0	0	-	1	-	1
17	7203-09148	Pan (C48, C48L, C48SF, C48L.SF Option)	1	1	1	1	-	0	-	0
18	180-106	Lock Washer	2	2	2	2	-	2	-	2
19	125-758	Screw	2	2	2	2	-	2	-	2
20	7203-09177	Pan	0	0	0	0	-	1	-	1
21	7203-09172	Bracket	1	1	1	1	-	1	-	1
22	6003-09064	Motor Case	1	1	1	1	-	2	-	2
23	6003-09059	Screw	6	6	6	6	-	12	-	12
24	6003-09071	Cap	1	1	1	1	-	2	-	2
25	6003-09066	Pipe	1	1	1	1	-	2	-	2
26	6003-09067	Tube	1	1	1	1	-	2	-	2
27	6003-09070	Hose Band	1	1	1	1	-	2	-	2
28	6003-09058	Screw	5	5	5	5	-	10	-	10
29	6003-09048	Pump Case	1	1	1	1	-	2	-	2
30	6003-09018	Cap	1	1	1	1	-	2	-	2
31	6003-09065	Shaft	1	1	1	1	-	2	-	2
32	6003-09069	Bushing	1	1	1	1	-	2	-	2
33	6003-09068	Holder	1	1	1	1	-	2	-	2
34	6003-09065A	Shaft with Fan	1	1	1	1	-	2	-	2
35	6003-09064A	Pump Assy (01, 02, 04, 07-09, 13-16, 22-33)	1	1	1	1	-	2	-	2
36	6003-09061A	Can	1	1	1	1	-	2	-	2



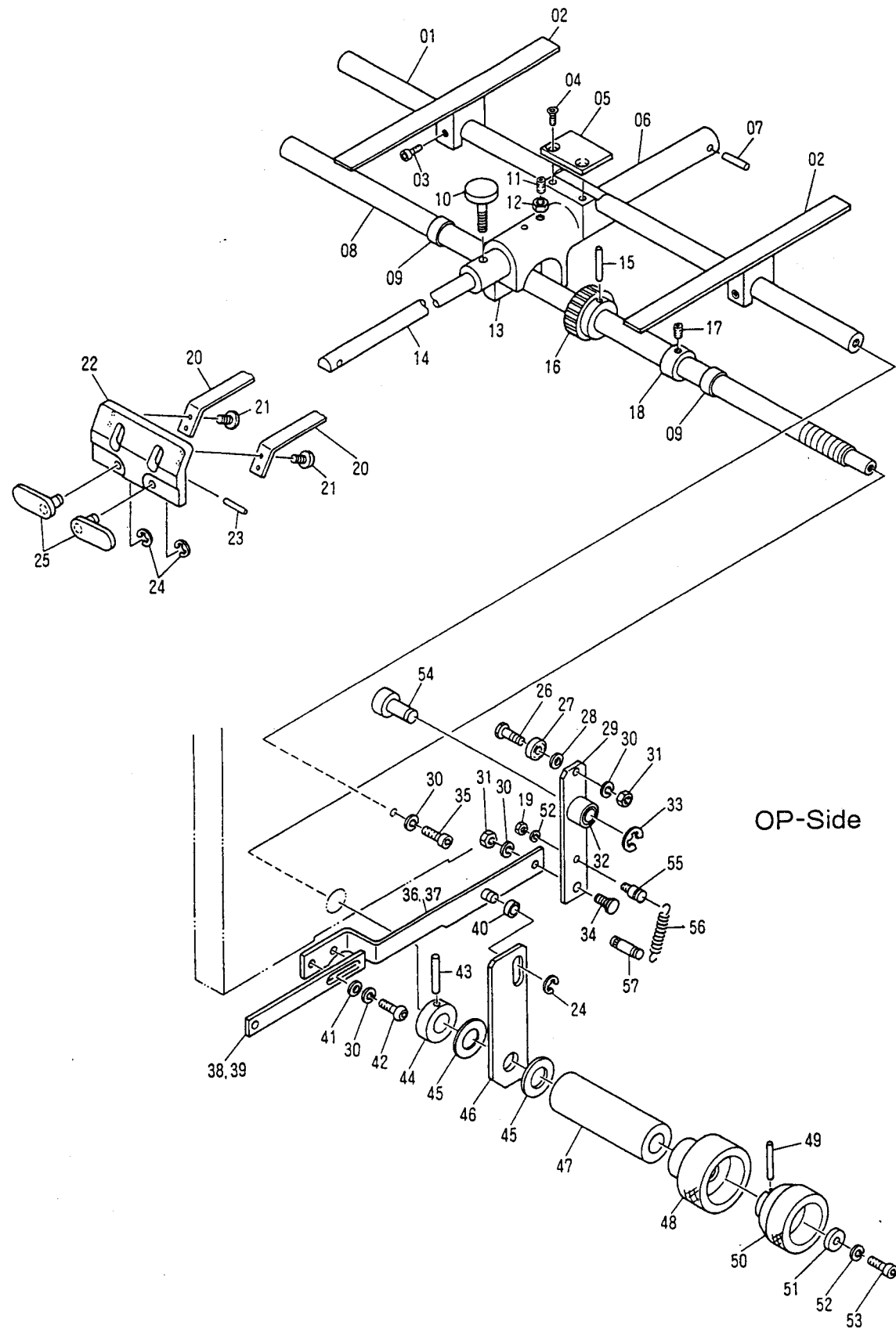
Delivery Section
Gripper Bar and Chain Guide

INDEX No.	Parts No.	Description (Remarks)	Unit Per Assy							
			C48	C48L	C48SF	-SF C48L	C248E	C248L	-SF C248E	-SF C248L
01	7204-02039	Sutd	8	8	8	8	8	8	8	8
02	7204-02036	Guide Rail	2	2	2	2	2	2	2	2
03	184-105	Flat Washer	14	14	14	14	14	14	14	14
04	125-715	Screw	8	8	8	8	8	8	8	8
05	7204-02038	Guide Rail	2	2	2	2	2	2	2	2
06	7204-02030	Cam	1	1	1	1	1	1	1	1
07	7204-02008	Bracket	1	1	1	1	1	1	1	1
08	184-108	Flat Washer	5	5	5	5	5	5	5	5
09	180-108	Lock Washer	5	5	5	5	5	5	5	5
10	117-470	Screw	2	2	2	2	2	2	2	2
11	7204-02015	U-Nut	2	2	2	2	1	1	1	1
12	7204-02041	Spacer	0	0	0	0	1	1	1	1
13	7204-02031	Bearing (Brg. 4T-30206)	2	2	2	2	2	2	2	2
14	7204-02013	Spacer	2	2	2	2	2	2	2	2
15	7204-02014	Plate	2	2	2	2	2	2	2	2
16	7204-02006	Gear	1	1	1	1	1	1	1	1
17	7204-02005	Chain Wheel	1	1	1	1	1	1	1	1
18	7204-02002	Bushing	1	1	1	1	1	1	1	1
19	180-106	Lock Washer	13	13	13	13	13	13	13	13
20	117-365	Screw	2	2	2	2	2	2	2	2
21	117-480	Screw	3	3	3	3	3	3	3	3
22	7204-02010A	Paper Guide Wheel	4	4	4	4	4	4	4	4
23	7204-02012	Guide Wheel Tape	4	4	4	4	4	4	4	4
24	7204-02011	Lock Plate	4	4	4	4	4	4	4	4
25	145-358	Set Screw	6	6	6	6	6	6	6	6
26	182-248	Taper Pin	2	2	2	2	2	2	2	2
27	7204-02004	Chain Wheel	1	1	1	1	1	1	1	1
28	188-074	Key	0	0	0	0	1	1	1	1
29	7204-02001	Drive Shaft	0	0	0	0	1	1	1	1
30	7204-02053	Drive Shaft	1	1	1	1	0	0	0	0
31	7204-02027	Cam	0	0	0	0	1	1	1	1
32	7204-02026	Cam	1	1	1	1	0	0	0	0
33	7204-02052	Screw	1	1	1	1	1	1	1	1
34	184-106	Flat Washer	1	1	1	1	1	1	1	1
35	183-187	Roll Pin	1	1	1	1	1	1	1	1
36	A23-08-3	Lever	1	1	1	1	1	1	1	1
37	CH02-21	Lever	1	1	1	1	1	1	1	1
38	7204-02046	Spacer	1	1	1	1	1	1	1	1
39	7204-02029	Spacer (l = 32.9)	2	2	2	2	2	2	2	2
40	7204-02024	Chain Guide Rail	1	1	1	1	1	1	1	1
41	122-133	Screw	2	2	2	2	2	2	2	2
42	7204-02028	Spacer (l = 23.4)	2	2	2	2	2	2	2	2
43	7204-02022	Chain Guide Rail	1	1	1	1	1	1	1	1
44	7204-02044	Spacer (l = 30.9)	4	4	4	4	4	4	4	4
45	7204-02045	Spacer (l = 21.4)	4	4	4	4	4	4	4	4
46	122-112	Screw	4	4	4	4	4	4	4	4
47	117-380	Screw	6	6	6	6	6	6	6	6
48	180-105	Lock Washer	20	20	20	20	20	20	20	20
49	125-731	Screw	2	2	2	2	2	2	2	2
50	125-710	Screw	4	4	4	4	4	4	4	4
51	7204-02023	Chain Guide Rail	1	1	1	1	1	1	1	1
52	7204-02021	Chain Guide Rail	1	1	1	1	1	1	1	1
53	117-512	Screw	14	14	14	14	14	14	14	14
54	7204-02009	Cam	1	1	1	1	1	1	1	1
55	7204-02032	Shaft	1	1	1	1	1	1	1	1
56	PS-14	Collar	1	1	1	1	1	1	1	1
57	145-355	Set Screw	1	1	1	1	1	1	1	1
58	7204-02034	Chain Guide Wheel	2	2	2	2	2	2	2	2
59	250-202.7	Bearing (6202 LLu)	2	2	2	2	2	2	2	2
60	181-235	C-Ring	2	2	2	2	2	2	2	2
61	HCO2-20	Spacer	2	2	2	2	2	2	2	2
62	CH02-23	Bracket	2	2	2	2	2	2	2	2
63	HCO2-36	Nut	2	2	2	2	2	2	2	2
64	A03-24-3	Spring	2	2	2	2	2	2	2	2
65	A17-23-3	Screw	2	2	2	2	2	2	2	2
66	7204-02042	Slide Base	2	2	2	2	2	2	2	2
67	7204-02043A	Gripper Operating Lever Assy	3	3	3	3	3	3	3	3
68	117-415	Screw	3	3	3	3	3	3	3	3
69	180-104	Lock Washer	3	3	3	3	3	3	3	3
70	183-182	Roll Pin	27	27	27	27	27	27	27	27

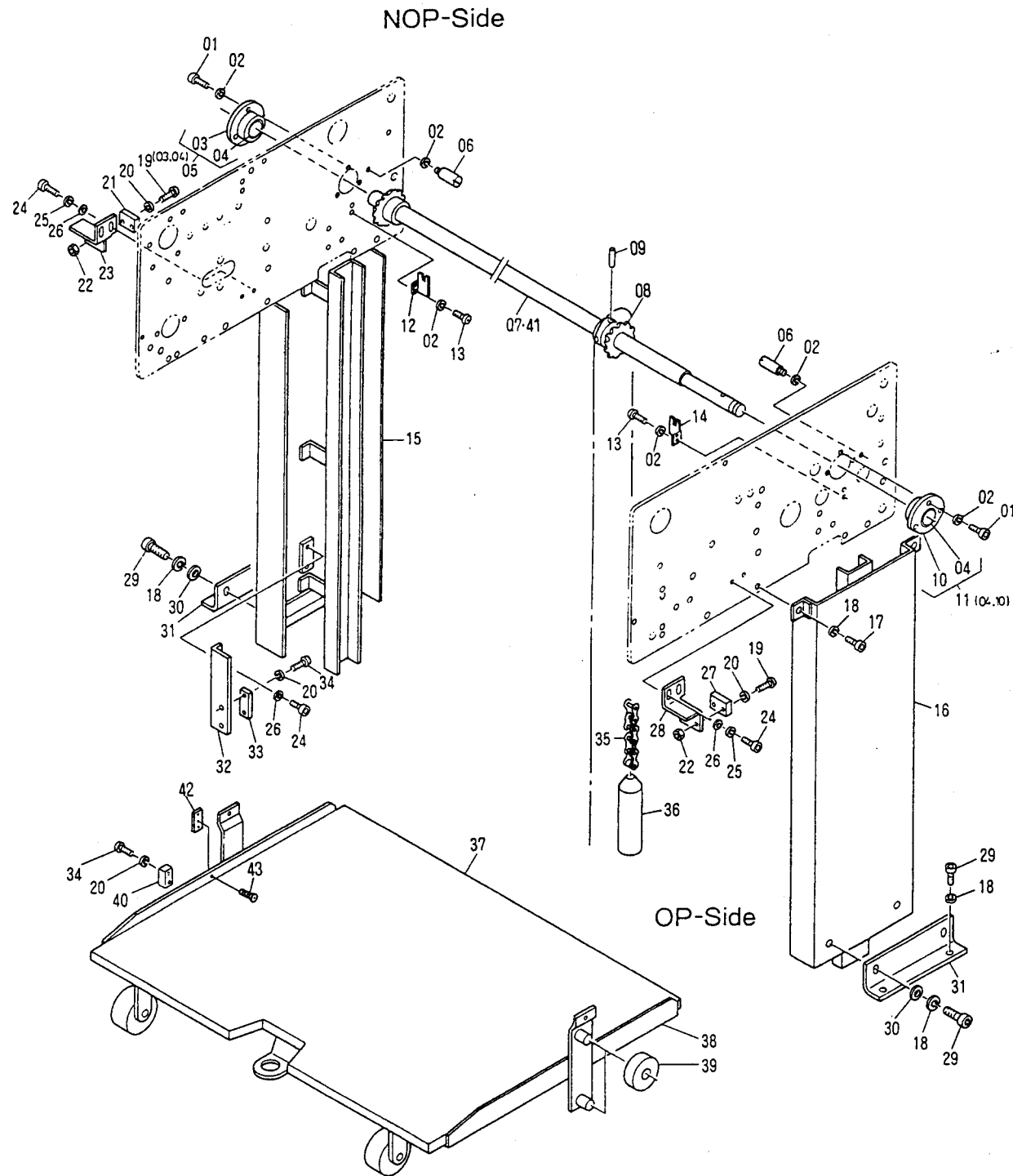


Delivery Section
Front Guide and Delivery Pile Guide

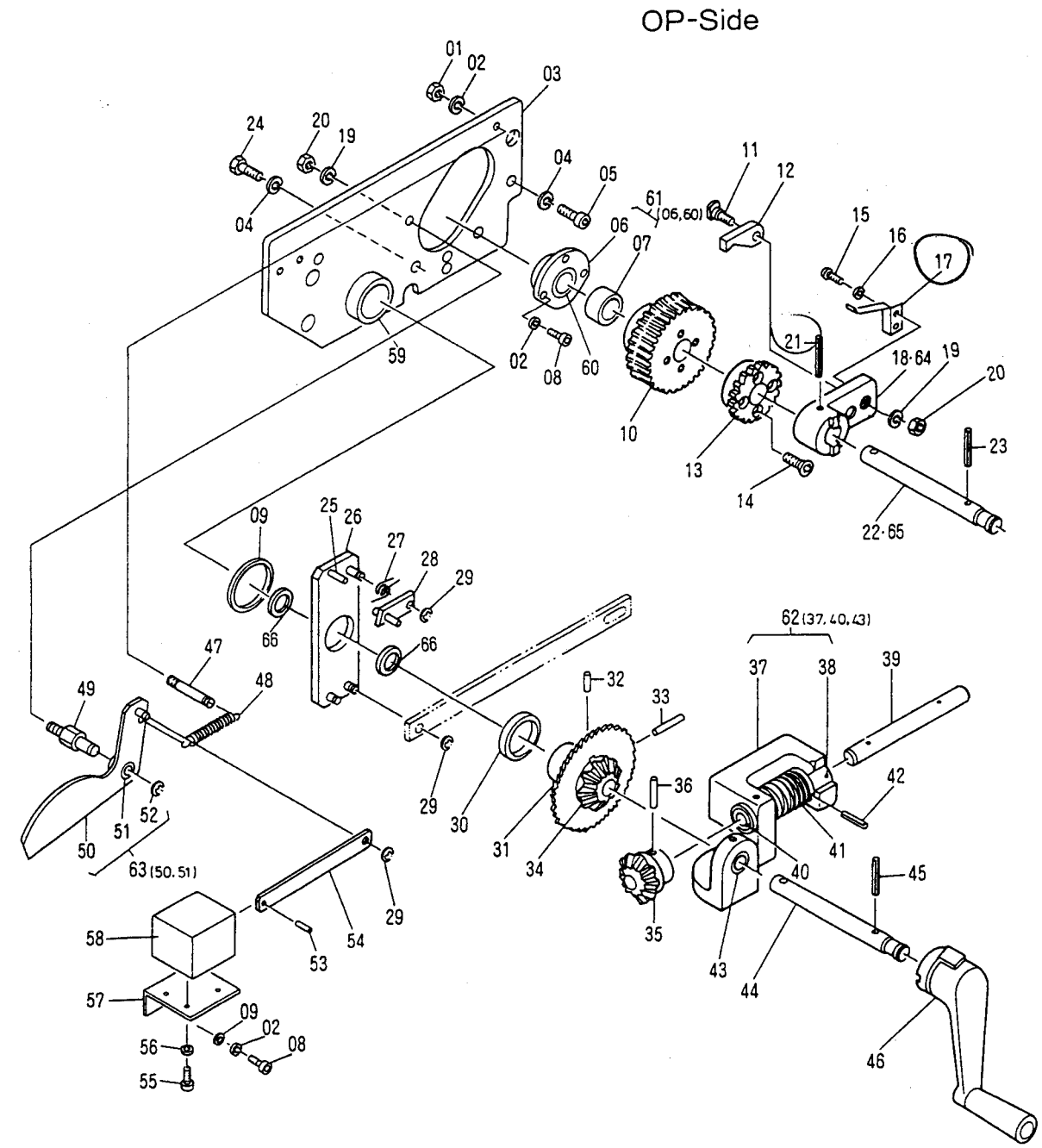
INDEX No.	Parts No.	Description (Remarks)	Unit Per Assy							
			C48	C48L	C48SF	-SF C48L	C248E	C248L	-SF C248E	-SF C248L
01	7204-01002	Delivery Frame	1	1	1	1	1	1	1	1
02	117-362	Screw	10	10	10	10	10	10	10	10
03	180-106	Lock Washer	16	16	16	16	16	16	16	16
04	7204-01008	Fluorescent Work Light Cover	1	1	1	1	1	1	1	1
05	7204-01007	Spreader	1	1	1	1	1	1	1	1
06	125-706	Screw	2	2	2	2	2	2	2	2
07	180-105	Lock Washer	9	9	9	9	9	9	9	9
08	170-105	Nut	3	3	3	3	3	3	3	3
09	125-708	Screw	4	4	4	4	4	4	4	4
10	7204-03031	Holding Finger Bracket	1	1	1	1	1	1	1	1
11	7204-03040	Holding Finger	1	1	1	1	1	1	1	1
12	181-406	E-Ring	5	5	5	5	5	5	5	5
13	DJ-60-1A	Guide Piece	4	4	4	4	4	4	4	4
14	117-525	Screw	2	2	2	2	2	2	2	2
15	CH03-49A	Delivery Pile Guide (Included 12, 13)	1	1	1	1	1	1	1	1
16	CH03-50A	Delivery Pile Guide	1	1	1	1	1	1	1	1
17	7204-01001	Delivery Frame	1	1	1	1	1	1	1	1
18	A04-63-3	Thumb Screw	2	2	2	2	2	2	2	2
19	A04-80-3	Pad	2	2	2	2	2	2	2	2
20	7204-01003	Spreader	1	1	1	1	1	1	1	1
21	181-412	E-Ring	2	2	2	2	2	2	2	2
22	7204-03002	Delivery Jogger Shaft	1	1	1	1	1	1	1	1
23	7204-03013	Plate	2	2	2	2	2	2	2	2
24	A18-64-3	Stripper Bracket	2	2	2	2	2	2	2	2
25	180-104	Lock Washer	8	8	8	8	8	8	8	8
26	125-656	Screw	4	4	4	4	4	4	4	4
27	7204-03039	Paper Stripper	2	2	2	2	2	2	2	2
28	7204-03039A	Paper Stripper Assy (23 - 27)	2	2	2	2	2	2	2	2
29	CH03-49B	Delivery Pile Guide Assy (12, 13, 15, 18, 19)	1	1	1	1	1	1	1	1
30	CH03-50B	Delivery Pile Guide Assy (12, 13, 16, 18, 19)	1	1	1	1	1	1	1	1
31	A14-09-3	Spring	1	1	1	1	1	1	1	1
32	7204-03034	Spring Pin	1	1	1	1	1	1	1	1
33	117-360	Screw	4	4	4	4	4	4	4	4
34	7204-03029	Bushing	2	2	2	2	2	2	2	2
35	6504-04007A	Block Assy	1	1	1	1	1	1	1	1
36	7204-03033	Eccentric Pin	1	1	1	1	1	1	1	1
37	170-106	Nut	2	2	2	2	2	2	2	2
38	183-183	Roll Pin	1	1	1	1	1	1	1	1
39	7204-03001	Bar	1	1	1	1	1	1	1	1
40	7204-03042	Bracket	1	1	1	1	1	1	1	1
41	125-108	Screw	4	4	4	4	4	4	4	4
42	5804-03007	Front Guide	2	2	2	2	2	2	2	2
43	CH03-30	Snapper	2	2	2	2	2	2	2	2
44	125-658	Screw	4	4	4	4	4	4	4	4
45	7204-03042A	Front Guide Assy (25, 40, 43, 44)	2	2	2	2	2	2	2	2
46	183-186	Roll Pin	3	3	3	3	3	3	3	3
47	184-103	Flat Washer	2	2	2	2	2	2	2	2
48	180-103	Lock Washer	4	4	4	4	4	4	4	4
49	125-620	Screw	2	2	2	2	2	2	2	2
50	7204-03038	Spring	1	1	1	1	1	1	1	1
51	7204-03020	Pin	1	1	1	1	1	1	1	1
52	183-189	Roll Pin	1	1	1	1	1	1	1	1
53	7204-03019	Cover	1	1	1	1	1	1	1	1
54	125-606	Screw	2	2	2	2	2	2	2	2
55	7204-03018	Bracket	1	1	1	1	1	1	1	1
56	7204-03018A	Delivery Jam Detector Assy (12, 46 - 55)	1	1	1	1	1	1	1	1
57	117-510	Screw	2	2	2	2	2	2	2	2
58	181-405	E-Ring	1	1	1	1	1	1	1	1
59	250-126.6	Bearing (Brg. 6267Z)	1	1	1	1	1	1	1	1
60	7204-03032A	Bracket	1	1	1	1	1	1	1	1
61	7204-03012	Drive Lever	1	1	1	1	1	1	1	1
62	CH03-37	Guide Block	1	1	1	1	1	1	1	1
63	7204-03016A	Cam	1	1	1	1	1	1	1	1
64	181-405	E-Ring	1	1	1	1	1	1	1	1
65	7204-03035	Bracket	1	1	1	1	1	1	1	1
66	I53-06-3	Screw	1	1	1	1	1	1	1	1
67	PO-25	Guide Roller	1	1	1	1	1	1	1	1
68	CH03-03	Lever	1	1	1	1	1	1	1	1
69	243-510	Bushing	1	1	1	1	1	1	1	1
70	X02-41-3	Pivot Screw	1	1	1	1	1	1	1	1



INDEX No.	Parts No.	Description (Remarks)	Unit Per Assy								
			C48	C48L	C48SF	-SF C48L	C248E	C248L	-SF C248E	-SF C248L	
01	7204-01004	Back Jogger Shaft	1	1	1	1	1	1	1	1	1
02	A19-30-1A-3	Paper Guide	2	2	2	2	2	2	2	2	2
03	117-365	Screw	2	2	2	2	2	2	2	2	2
04	122-110	Screw	2	2	2	2	2	2	2	2	2
05	7204-03015	Bracket	1	1	1	1	1	1	1	1	1
06	7204-02040	Rack	1	1	1	1	1	1	1	1	1
07	183-207	Roll Pin	1	1	1	1	1	1	1	1	1
08	7204-03003	Shaft	1	1	1	1	1	1	1	1	1
09	243-634	Bushing	2	2	2	2	2	2	2	2	2
10	CH03-60	Thumb Screw	1	1	1	1	1	1	1	1	1
11	I18-59-1A-3	Snapper	1	1	1	1	1	1	1	1	1
12	I18-60-3	Nut	1	1	1	1	1	1	1	1	1
13	7204-03017A	Back Guide Slide Bracket	1	1	1	1	1	1	1	1	1
14	HC03-15	Guide Shaft	1	1	1	1	1	1	1	1	1
15	183-209	Roll Pin	1	1	1	1	1	1	1	1	1
16	7204-03021	Gear	1	1	1	1	1	1	1	1	1
17	145-505	Screw	1	1	1	1	1	1	1	1	1
18	M05-37-3	Collar	1	1	1	1	1	1	1	1	1
19	170-105	Nut	2	2	2	2	2	2	2	2	2
20	CH03-56	Paper Guide	2	2	2	2	2	2	2	2	2
21	125-656	Screw	4	4	4	4	4	4	4	4	4
22	CH03-55	Back Guide	1	1	1	1	1	1	1	1	1
23	183-186	Roll Pin	1	1	1	1	1	1	1	1	1
24	181-406	E-Ring	3	3	3	3	3	3	3	3	3
25	DJ-60-1A	Guide Piece	2	2	2	2	2	2	2	2	2
26	7204-03026	Bearing Pin	1	1	1	1	1	1	1	1	1
27	250-126.6	Bearing (Brg. 6267Z)	1	1	1	1	1	1	1	1	1
28	184-106.3	Flat Washer	1	1	1	1	1	1	1	1	1
29	7204-03055A	Lever	1	1	1	1	1	1	1	1	1
30	180-106	Lock Washer	6	6	6	6	6	6	6	6	6
31	170-106	Nut	2	2	2	2	2	2	2	2	2
32	243-615	Bushing	1	1	1	1	1	1	1	1	1
33	181-408	E-Ring	1	1	1	1	1	1	1	1	1
34	7204-03014	Screw	1	1	1	1	1	1	1	1	1
35	117-382	Screw	2	2	2	2	2	2	2	2	2
36	7204-03009A	Link (C248)	0	0	0	0	1	1	1	1	1
37	7204-03004A	Link (C48)	1	1	1	1	0	0	0	0	0
38	7204-03007	Link (C248)	1	1	1	1	1	1	1	1	1
39	7204-03007	Link (C48)	1	1	1	1	1	1	1	1	1
40	7204-03010	Guide Roller	1	1	1	1	1	1	1	1	1
41	184-106	Flat Washer	2	2	2	2	2	2	2	2	2
42	125-762	Screw	2	2	2	2	2	2	2	2	2
43	183-229	Roll Pin	1	1	1	1	1	1	1	1	1
44	7204-03022	Collar	1	1	1	1	1	1	1	1	1
45	7204-03023	Plate	2	2	2	2	2	2	2	2	2
46	7204-03006	Lever	1	1	1	1	1	1	1	1	1
47	7204-03011	Spacer	1	1	1	1	1	1	1	1	1
48	7204-03028	Handle	1	1	1	1	1	1	1	1	1
49	183-209	Roll Pin	1	1	1	1	1	1	1	1	1
50	7204-03027	Handle	1	1	1	1	1	1	1	1	1
51	5104-02005	Washer	1	1	1	1	1	1	1	1	1
52	180-105	Lock Washer	2	2	2	2	2	2	2	2	2
53	117-515	Screw	1	1	1	1	1	1	1	1	1
54	7204-03025	Stud	1	1	1	1	1	1	1	1	1
55	CH03-06	Pin	1	1	1	1	1	1	1	1	1
56	5202-11031	Spring	1	1	1	1	1	1	1	1	1
57	223-0640.01	Pin	1	1	1	1	1	1	1	1	1

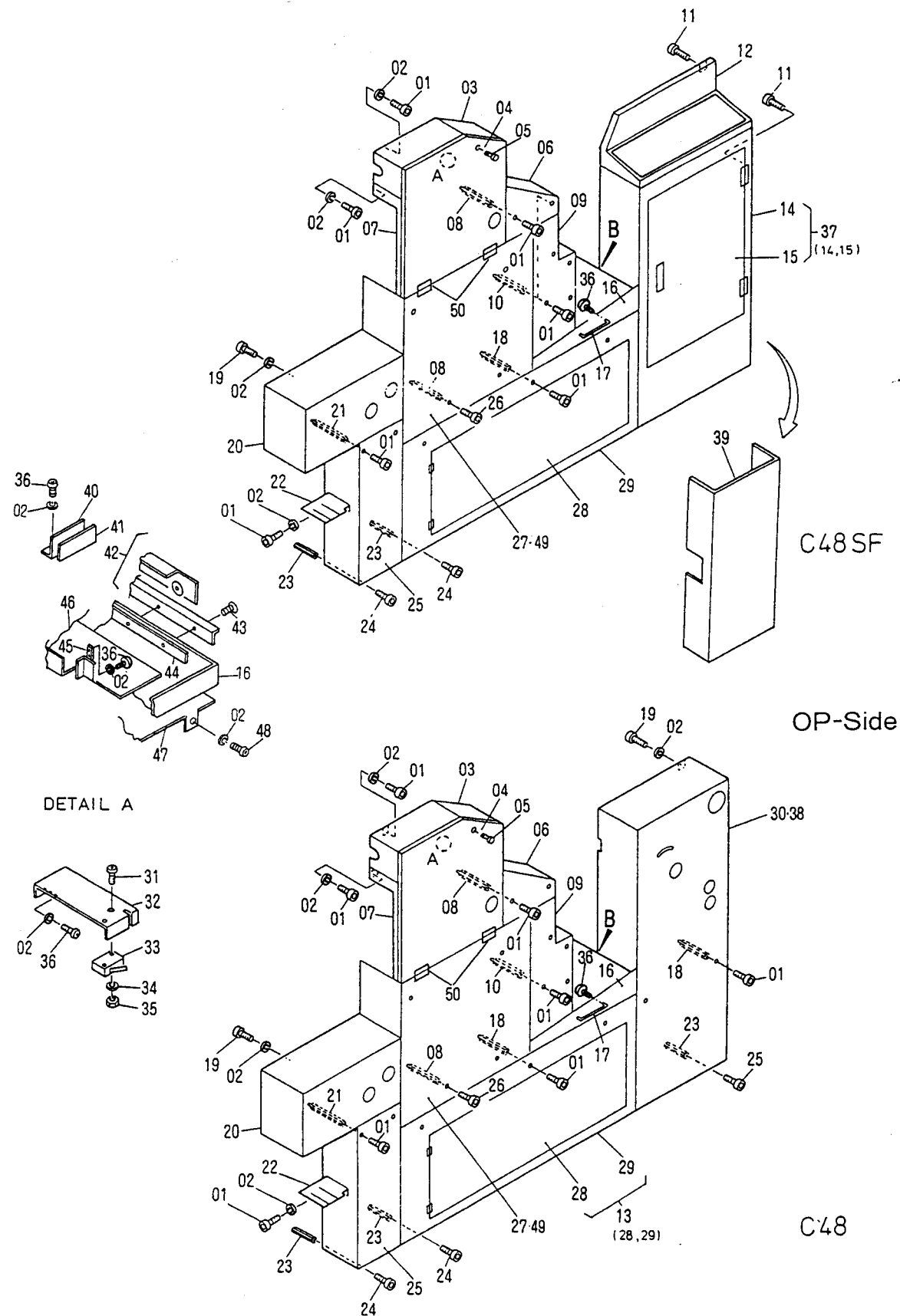


INDEX No.	Parts No.	Description (Remarks)	Unit Per Assy							
			C48	C48L	C48SF	-SF C48L	C248E	C248L	-SF C248E	-SF C248L
01	117-510	Screw	6	6	6	6	6	6	6	6
02	180-105	Lock Washer	12	12	12	12	12	12	12	12
03	7204-05013A	Bracket	1	1	1	1	1	1	1	1
04	A01-09-3	Bushing (Included in 05, 11)	2	2	2	2	2	2	2	2
05	7204-05013B	Bracket Assy (03, 04)	1	1	1	1	1	1	1	1
06	H09-25-3	Pin	2	2	2	2	2	2	2	2
07	7204-05005	Shaft	1	1	1	1	1	1	1	1
08	A02-53-3	Sprocket Wheel	2	2	2	2	2	2	2	2
09	183-209	Roll Pin	2	2	2	2	2	2	2	2
10	7204-05011A	Bracket	1	1	1	1	1	1	1	1
11	7204-05011B	Bracket Assy (04, 10)	1	1	1	1	1	1	1	1
12	HC05-12	Chain Guard (NOP-S)	1	1	1	1	1	1	1	1
13	125-706	Screw	4	4	4	4	4	4	4	4
14	HC05-13	Chan Guard (OP-S)	1	1	1	1	1	1	1	1
15	7204-05002	Chain Delivery Cover Panel (NOP-S)	1	1	1	1	1	1	1	1
16	7204-05001	Chian Delivery Cover Panel (OP-S)	1	1	1	1	1	1	1	1
17	117-360	Screw	4	4	4	4	4	4	4	4
18	180-106	Lock Washer	12	12	12	12	12	12	12	12
19	125-615	Screw	4	4	4	4	4	4	4	4
20	180-103	Lock Washer	8	8	8	8	8	8	8	8
21	E26-84-01-3	Sensor (Type GTL3) (NOP-S)	1	1	1	1	1	1	1	1
22	170-103	Nut	4	4	4	4	4	4	4	4
23	7204-05021	Bracket (NOP-S)	1	1	1	1	1	1	1	1
24	117-408	Screw	6	6	6	6	6	6	6	6
25	180-104	Lock Washer	4	4	4	4	4	4	4	4
26	184-104	Flat Washer	6	6	6	6	6	6	6	6
27	E26-84-02-3	Sensor (Type GTR3) (OP-S)	1	1	1	1	1	1	1	1
28	7204-05020	Bracket (OP-S)	1	1	1	1	1	1	1	1
29	117-362	Screw	8	8	8	8	8	8	8	8
30	184-106	Flat Washer	4	4	4	4	4	4	4	4
31	7204-05006	Bracket	2	2	2	2	2	2	2	2
32	7204-05008	Bracket	1	1	1	1	1	1	1	1
33	E10-12-3	Sensor (type RS-1)	1	1	1	1	1	1	1	1
34	125-610	Screw	4	4	4	4	4	4	4	4
35	7204-05009	Chain	2	2	2	2	2	2	2	2
36	H09-29-1A-3	Chan Weight	2	2	2	2	2	2	2	2
37	7204-05004A	Delivery Tray	1	1	1	1	1	1	1	1
38	7204-05007A	Delivery Table	1	1	1	1	1	1	1	1
39	H12-13-3	Delivery Table Guide Roller	4	4	4	4	4	4	4	4
40	E10-14-3	Sensor	1	1	1	1	1	1	1	1
41	7204-05023	Shaft	1	1	1	1	1	1	1	1
42	CH05-12	Bracket	1	1	1	1	1	1	1	1
43	122-306	Screw	2	2	2	2	2	2	2	2

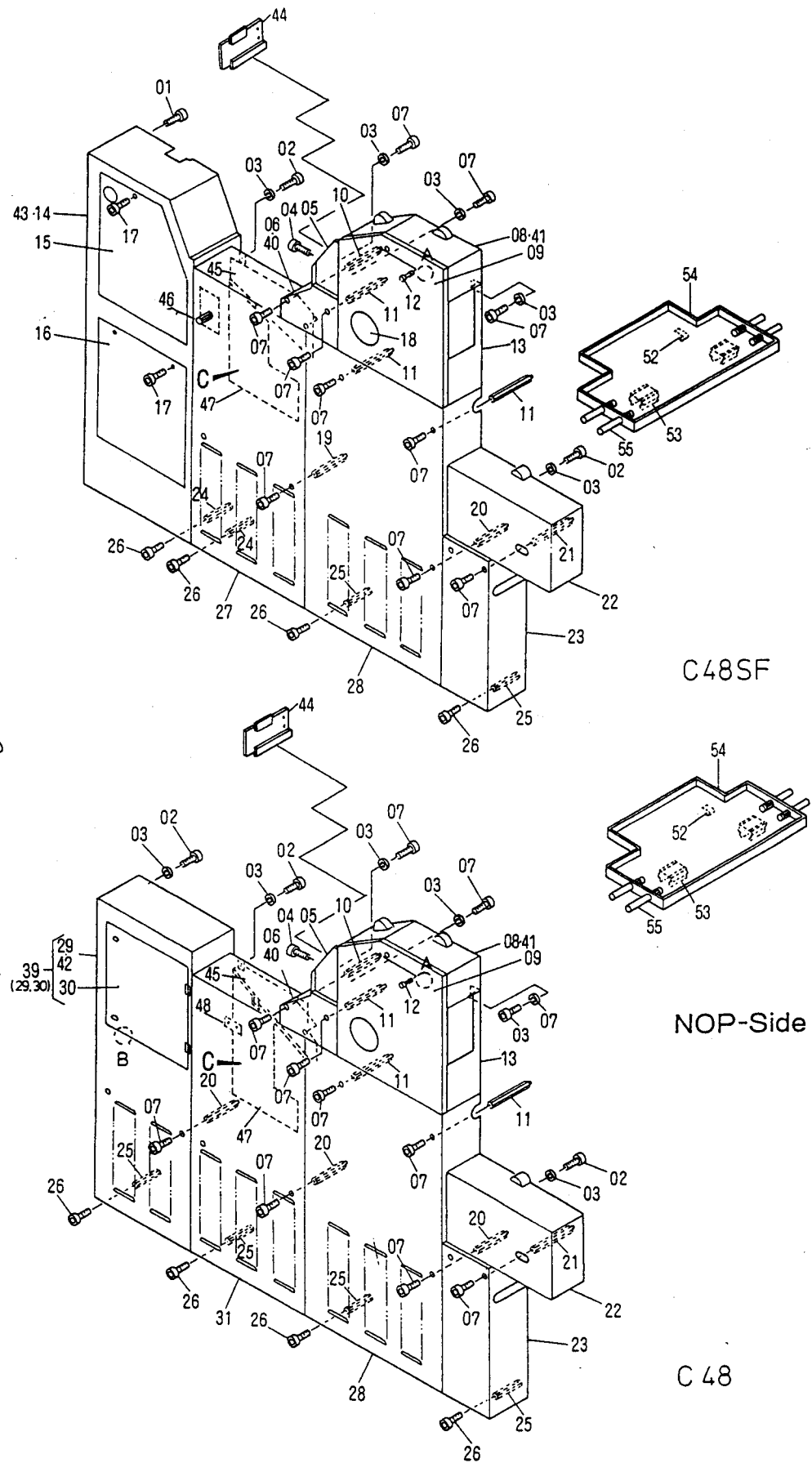


Delivery Section
Related Parts for Delivery Pile Ratchet Plate

INDEX No.	Parts No.	Description (Remarks)	Units Per Assy							
			C48	C48L	C48SF	-SF C48L	C248E	C248L	-SF C248E	-SF C248L
01	170-105	Nut	1	1	1	1	1	1	1	1
02	180-105	Lock Washer	6	6	6	6	6	6	6	6
03	7204-05003B	Ratchet Plate	1	1	1	1	1	1	1	1
04	180-108	Lock Washer	4	4	4	4	4	4	4	4
05	117-465	Screw	2	2	2	2	2	2	2	2
06	7204-05011	Bracket	1	1	1	1	1	1	1	1
07	7204-05014	Spacer	1	1	1	1	1	1	1	1
08	117-510	Screw	5	5	5	5	5	5	5	5
09	184-105	Flat Washer	1	1	1	1	1	1	1	1
10	EA02-08	Worm Gear	1	1	1	1	1	1	1	1
11	EA02-04	Shoulder Screw	1	1	1	1	1	1	1	1
12	6504-02002	Drive Pawl	1	1	1	1	1	1	1	1
13	EA02-02	Ratchet Wheel	1	1	1	1	1	1	1	1
14	122-125	Screw	4	4	4	4	4	4	4	4
15	125-656	Screw	2	2	2	2	2	2	2	2
16	180-104	Lock Washer	2	2	2	2	2	2	2	2
17	EA02-06	Plate Spring	1	1	1	1	1	1	1	1
18	6504-02001	Crank Handle Coupling Lever	1	1	1	1	1	1	1	1
19	180-106	Lock Washer	2	2	2	2	2	2	2	2
20	170-106	Nut	2	2	2	2	2	2	2	2
21	183-210	Roll Pin	1	1	1	1	1	1	1	1
22	7204-05005	Shaft	1	1	1	1	1	1	1	1
23	183-209	Roll Pin	1	1	1	1	1	1	1	1
24	101-470	Screw	2	2	2	2	2	2	2	2
25	183-185	Roll Pin	1	1	1	1	1	1	1	1
26	7204-05015A	Drive Pawl Bracket	1	1	1	1	1	1	1	1
27	A02-26-3	Spring	1	1	1	1	1	1	1	1
28	5104-05012A	Drive Pawl	1	1	1	1	1	1	1	1
29	181-405	E-Ring	4	4	4	4	4	4	4	4
30	5104-05035	Spacer	1	1	1	1	1	1	1	1
31	A02-17-3	Ratchet Wheel	1	1	1	1	1	1	1	1
32	183-178	Roll Pin	1	1	1	1	1	1	1	1
33	183-206	Roll Pin	1	1	1	1	1	1	1	1
34	A02-14-3	Bevel Gear Assy	1	1	1	1	1	1	1	1
35	A02-46-3	Bevel Gear	1	1	1	1	1	1	1	1
36	183-207	Roll Pin	1	1	1	1	1	1	1	1
37	EA02-01	Worm Bracket	1	1	1	1	1	1	1	1
38	A02-09-3	Bushing	1	1	1	1	1	1	1	1
39	A02-48-3	Shaft	1	1	1	1	1	1	1	1
40	A02-10-3	Bushing	1	1	1	1	1	1	1	1
41	H09-06-3	Worm	1	1	1	1	1	1	1	1
42	183-205	Roll Pin	1	1	1	1	1	1	1	1
43	A02-08-3	Bushing	1	1	1	1	1	1	1	1
44	7204-05016	Shaft	1	1	1	1	1	1	1	1
45	183-209	Roll Pin	1	1	1	1	1	1	1	1
46	5104-05030A	Crank Handle	1	1	1	1	1	1	1	1
47	H30-15-3	Spring Pin	1	1	1	1	1	1	1	1
48	5208-06091	Spring	1	1	1	1	1	1	1	1
49	7204-05017	Spring Pin	1	1	1	1	1	1	1	1
50	5104-05014	Ratchet Release Lever	1	1	1	1	1	1	1	1
51	243-610	Bushing	1	1	1	1	1	1	1	1
52	181-406	E-Ring	1	1	1	1	1	1	1	1
53	183-181	Roll Pin	1	1	1	1	1	1	1	1
54	5201-05022	Link	1	1	1	1	1	1	1	1
55	117-308	Screw	4	4	4	4	4	4	4	4
56	180-103	Lock Washer	4	4	4	4	4	4	4	4
57	7204-05018	Solenoid Bracket	1	1	1	1	1	1	1	1
58	E09-25-3	Solenoid	1	1	1	1	1	1	1	1
59	A02-05-3	Bushing	1	1	1	1	1	1	1	1
60	A01-09-3	Bushing	1	1	1	1	1	1	1	1
61	7204-05011A	Bracket Assy	(06, 60)	1	1	1	1	1	1	1
62	EA02-01A	Worm Bracket Assy	(37, 40, 43)	1	1	1	1	1	1	1
63	5104-05014A	Ratchet Release Lever Assy	(50, 51)	1	1	1	1	1	1	1
64	7204-05022	Crank Handle Coupling Lever	1	1	1	1	1	1	1	1
65	7204-05023	Shaft	1	1	1	1	1	1	1	1
66	A02-27-3	Spacer	2	2	2	2	2	2	2	2



INDEX No.	Parts No.	Description (Remarks)	Unit Per Assy							
			C48	C48L	C48SF	-SF C48L	C248E	C248L	-SF C248E	-SF C248L
01	117-512.01	Screw	20	20	18	18	0	0	0	0
02	180-105	Lock Washer	15	15	12	12	0	0	0	0
03	7205-02105	Cover	1	1	1	1	0	0	0	0
04	7205-02104	Ink Cover	1	1	1	1	0	0	0	0
05	5805-02052A	Screw	1	1	1	1	0	0	0	0
06	7205-02109	Cover	1	1	1	1	0	0	0	0
07	7205-02106	Cover	1	1	1	1	0	0	0	0
08	7205-02051	Stud	5	5	5	5	0	0	0	0
09	7205-02110	Cover	1	1	1	1	0	0	0	0
10	7205-02125	Stud	5	5	5	5	0	0	0	0
11	117-375	Screw	0	0	6	6	0	0	0	0
12	7205-02066	Feeder Cover	0	0	1	1	0	0	0	0
13	7205-02103A	Base Cover Assy (28, 29)	1	1	1	1	0	0	0	0
14	7205-02128	Feeder Cover (Old Type)	0	0	1	1	0	0	0	0
15	7205-02062A	Cover Plate	0	0	1	1	0	0	0	0
16	7205-02015A	Cover	1	1	1	1	0	0	0	0
17	6705-08026	Handle Included in 16	1	1	1	1	0	0	0	0
18	7205-02050	Stud	3	3	3	3	0	0	0	0
19	117-510	Screw	6	6	3	3	0	0	0	0
20	7205-02107	Delivery Frame Cover	1	1	1	1	0	0	0	0
21	7205-02123	Stud	2	2	2	2	0	0	0	0
22	7205-02042	Tool Hanger	1	1	1	1	0	0	0	0
23	6506-12021	Stud	6	6	4	4	0	0	0	0
24	6505-02087	Screw	6	6	4	4	0	0	0	0
25	7205-02108	Cover	1	1	1	1	0	0	0	0
26	117-512.01	Screw	4	4	4	4	0	0	0	0
27	7205-02134	Access Cover (CT-21:024 -)	1	1	1	1	0	0	0	0
28	7205-02120	Cover Plate	1	1	1	1	0	0	0	0
29	7205-02103	Base Cover	1	1	1	1	0	0	0	0
30	7205-02101	Feeder Cover Assy (Old Type)	1	1	0	0	0	0	0	0
31	125-615	Screw	2	2	2	2	0	0	0	0
32	7205-02046	Limit Switch Bracket	1	1	1	1	0	0	0	0
33	E10-30-3	Limit Switch	1	1	1	1	0	0	0	0
34	180-103	Lock Washer	2	2	2	2	0	0	0	0
35	170-103	Nut	2	2	2	2	0	0	0	0
36	125-710	Screw	2	2	2	2	0	0	0	0
37	7205-02128A	Feeder Cover Assy (14, 15)	0	0	1	1	0	0	0	0
38	7205-02175	Feeder Cover (New Type)	1	1	0	0	0	0	0	0
39	7205-02177	Feeder Cover (New Type)	0	0	1	1	0	0	0	0
40	5805-02472A	Stopper Bracket	1	1	1	1	0	0	0	0
41	5805-02473	Cushion Included in 40	1	1	1	1	0	0	0	0
42	7205-02036	Sliding Rail	2	2	2	2	0	0	0	0
43	122-056	Screw	8	8	8	8	0	0	0	0
44	7205-02067	Plate	2	2	2	2	0	0	0	0
45	7205-02132	Bracket	1	1	1	1	0	0	0	0
46	7205-02049	Cover	1	1	1	1	0	0	0	0
47	7205-02165	Tray	1	1	1	1	0	0	0	0
48	125-708	Screw	2	2	2	2	0	0	0	0
49	7205-02102	Cover (-CT-2D022)	1	1	1	1	0	0	0	0
50	5105-02036	Hinge	2	2	2	2	0	0	0	0

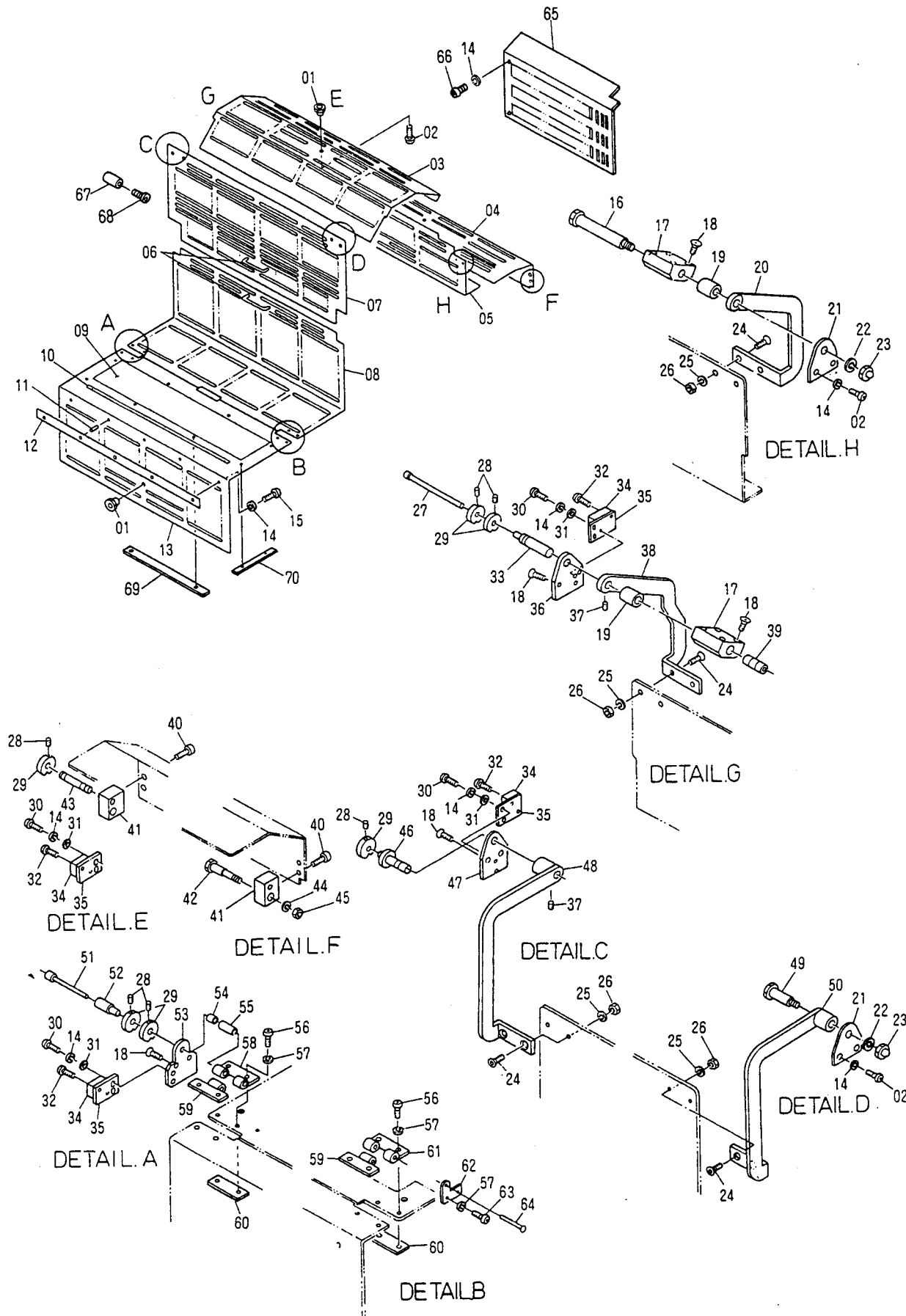


C48SF

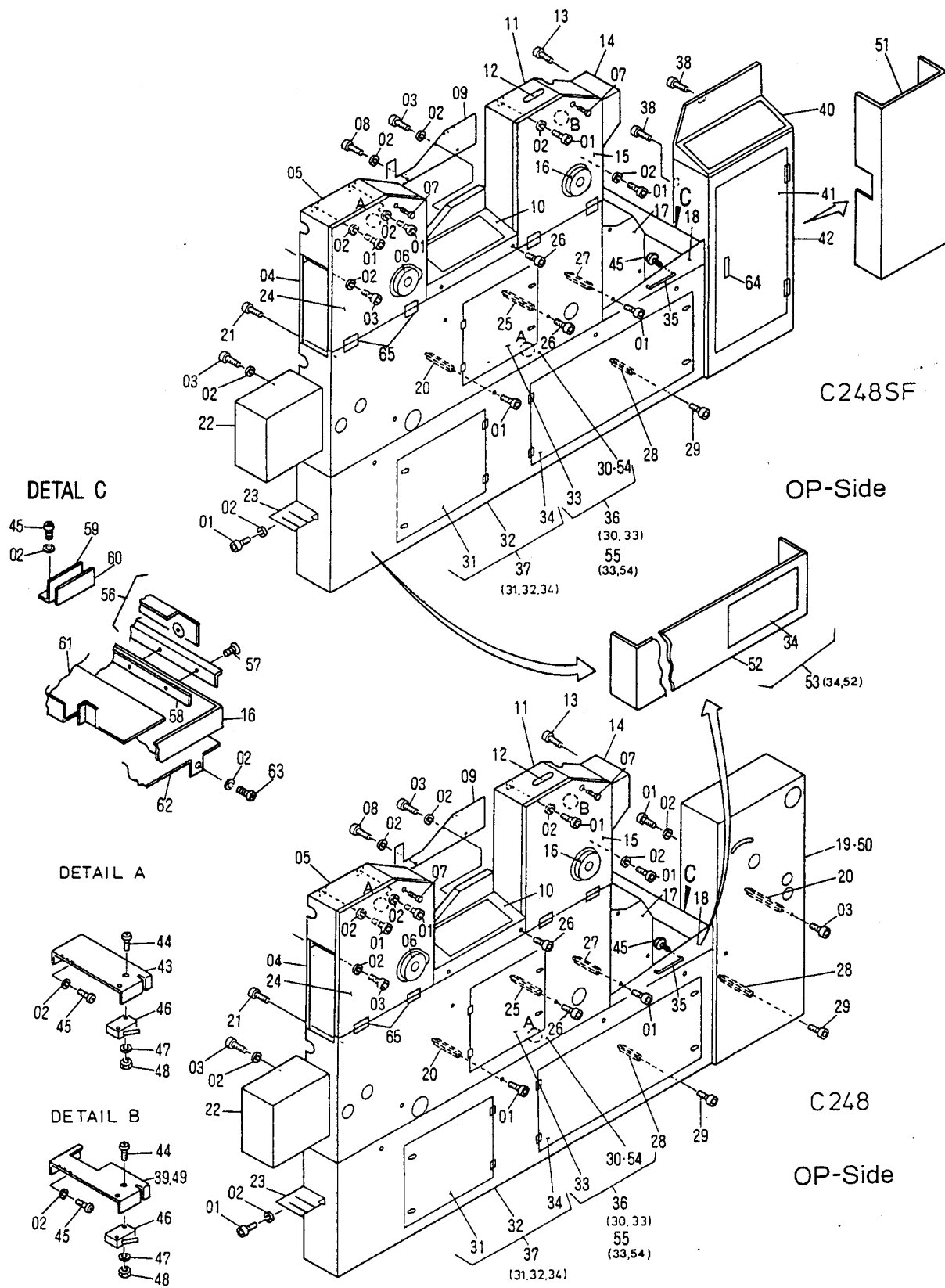
NOP-Side

C 48

INDEX No.	Parts No.	Description (Remarks)	Unit Per Assy							
			C48	C48L	C48SF	-SF C48L	C248E	C248L	-SF C248E	-SF C248L
01	117-375	Screw	0	0	4	4	0	0	0	0
02	117-510	Screw	6	6	4	4	0	0	0	0
03	180-105	Lock Washer	17	17	13	13	0	0	0	0
04	125-710.01	Screw	1	1	1	1	0	0	0	0
05	7205-02063	Cover	1	1	1	1	0	0	0	0
06	7205-02117	Cover	1	0	1	0	0	0	0	0
07	117-512.01	Screw	19	19	17	17	0	0	0	0
08	7205-02168	Cover	1	1	1	1	0	0	0	0
09	7205-02031	Ink Cover	1	1	1	1	0	0	0	0
10	7205-02124	Stud	2	2	2	2	0	0	0	0
11	7205-02055	Stud	3	3	3	3	0	0	0	0
12	5805-02052A	Screw	1	1	1	1	0	0	0	0
13	7205-02116	Cover	1	1	1	1	0	0	0	0
14	7205-02129	Feeder Cover	0	0	1	1	0	0	0	0
15	7205-02065	Cover Plate	0	0	1	1	0	0	0	0
16	7205-02064	Cover Plate	0	0	1	1	0	0	0	0
17	117-358.01	Screw	0	0	3	3	0	0	0	0
18	7205-02043	Cover Plate	1	1	1	1	0	0	0	0
19	7205-02053	Stud	0	0	2	2	0	0	0	0
20	7205-02054	Stud	5	5	1	1	0	0	0	0
21	7205-02122	Stud	2	2	2	2	0	0	0	0
22	7205-02118	Delivery Frame Cover	1	1	1	1	0	0	0	0
23	7205-02119	Cover	1	1	1	1	0	0	0	0
24	7205-02056	Stud	0	0	3	3	0	0	0	0
25	6505-02030	Stud	7	7	3	3	0	0	0	0
26	6505-02087	Screw	7	7	6	6	0	0	0	0
27	7205-02127	Cover	0	0	1	1	0	0	0	0
28	7205-02115	Cover	1	1	1	1	0	0	0	0
29	7205-02111	Feeder Cover	1	1	0	0	0	0	0	0
30	7205-02032	Cover Plate	1	1	0	0	0	0	0	0
31	7205-02112	Cover	1	1	0	0	0	0	0	0
32	125-615	Screw	4	4	2	2	0	0	0	0
33	7205-02046	Limit Switch Bracket	2	2	1	1	0	0	0	0
34	125-710	Screw	4	4	2	2	0	0	0	0
35	E10-30-3	Limit Switch	2	2	1	1	0	0	0	0
36	180-103	Lock Washer	4	4	2	2	0	0	0	0
37	170-103	Nut	4	4	2	2	0	0	0	0
38	7205-02088	Stud	2	2	0	0	0	0	0	0
39	7205-02111A	Feeder Cover Assy (29, 30)	1	1	0	0	0	0	0	0
40	7205-02157	Cover (Dampening water circulation system)	1	1	1	1	0	0	0	0
41	7205-02169	Cover (H. W. M)	1	1	1	1	0	0	0	0
42	7205-02176	Cover	1	1	0	0	0	0	0	0
43	7205-02178	Cover	0	0	1	1	0	0	0	0
44	7205-02143	Cover (Dampening water circulation system)	1	1	1	1	0	0	0	0
45	7205-02113	Cover	1	1	1	1	0	0	0	0
46	7205-02048	Stud	1	1	1	1	0	0	0	0
47	7205-02114	Cover	1	1	1	1	0	0	0	0
48	7205-02047	Bracket	1	1	0	0	0	0	0	0
49	7205-08046	Screw	2	2	2	2	0	0	0	0
50	7205-08031	Cushion	2	2	2	2	0	0	0	0
51	170-105	Nut	2	2	2	2	0	0	0	0
52	5805-02487	Bracket	2	2	2	2	0	0	0	0
53	X16-61-3	Bracket	2	2	2	2	0	0	0	0
54	7205-02181A	Tray	1	1	1	1	0	0	0	0
55	7205-02180	Pin	4	4	4	4	0	0	0	0

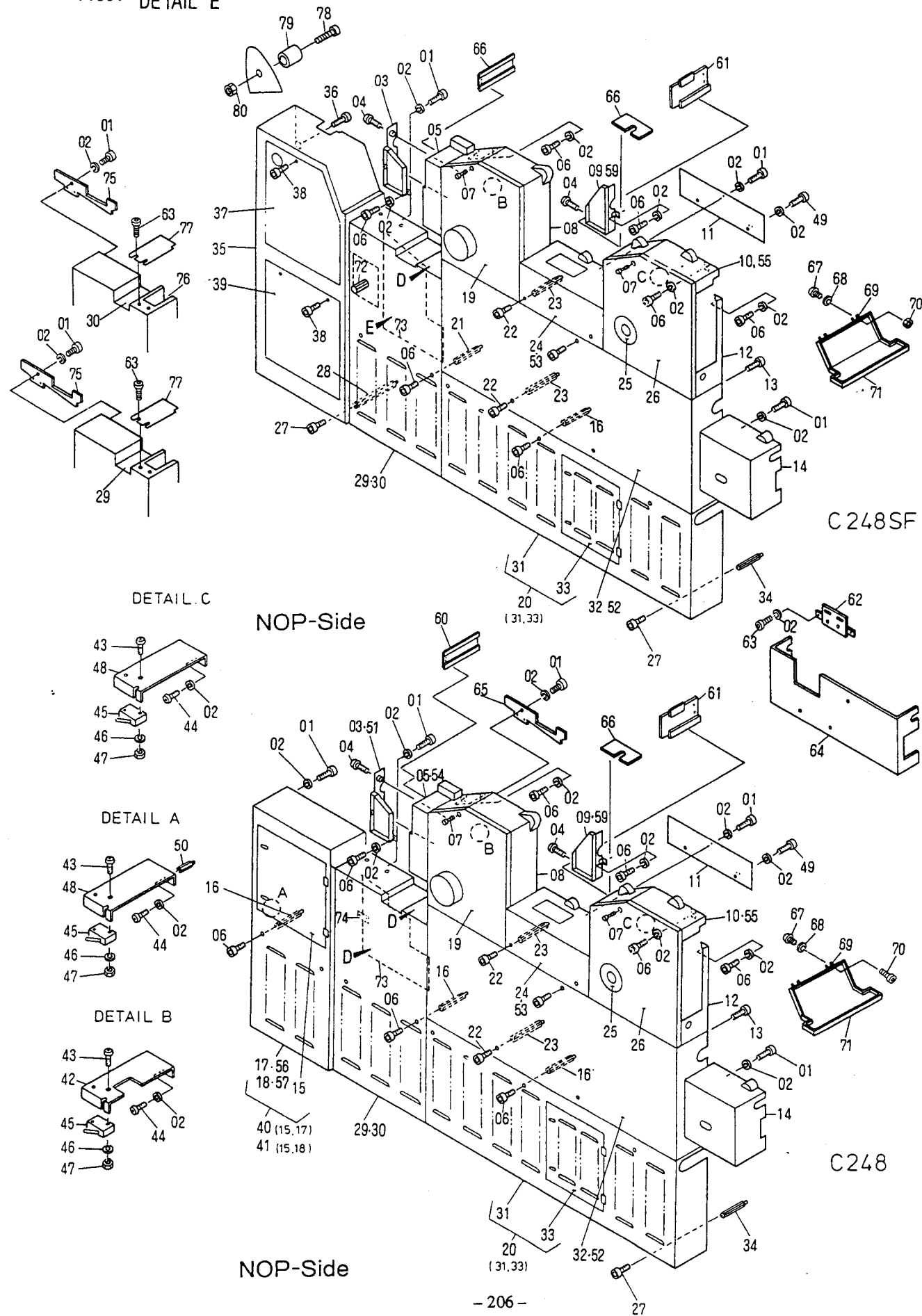


INDEX No.	Parts No.	Description (Remarks)	Unit Per Assy							
			C48	C48L	C48SF	-SF C48L	C248E	C248L	-SF C248E	-SF C248L
01	129-32-3	Knob	4	4	4	4	0	0	0	0
02	125-712	Screw	8	8	8	8	0	0	0	0
03	7205-08065	Cover	1	1	1	1	0	0	0	0
04	7205-08052	Cover	1	1	1	1	0	0	0	0
05	7205-08071	Cover	1	1	1	1	0	0	0	0
06	5805-02480	Handle	2	2	2	2	0	0	0	0
07	7205-08008	Cover	1	1	1	1	0	0	0	0
08	7205-08056	Cover	1	1	1	1	0	0	0	0
09	7205-08013	Cover	1	1	1	1	0	0	0	0
10	7203-02012	Scale	1	1	1	1	0	0	0	0
11	183-178	Roll Pin	2	2	2	2	0	0	0	0
12	7205-08014	Cover Plate	1	1	1	1	0	0	0	0
13	7205-08057	Cover	1	1	1	1	0	0	0	0
14	180-105	Lock Washer	15	15	15	15	0	0	0	0
15	125-706	Screw	3	3	3	3	0	0	0	0
16	7205-08024	Pin	1	1	1	1	0	0	0	0
17	7205-08020	Bracket	2	2	2	2	0	0	0	0
18	122-110	Screw	14	14	14	14	0	0	0	0
19	7205-08043	Spacer	2	2	2	2	0	0	0	0
20	7205-08066	Lever	1	1	1	1	0	0	0	0
21	5805-02255	Hinge Bracket	2	2	2	2	0	0	0	0
22	180-108.01	Lock Washer	2	2	2	2	0	0	0	0
23	170-508	Cap Nut	2	2	2	2	0	0	0	0
24	122-165.01	Screw	8	8	8	8	0	0	0	0
25	180-106.01	Lock Washer	8	8	8	8	0	0	0	0
26	170-106.01	Nut	8	8	8	8	0	0	0	0
27	7205-08027	Pin	1	1	1	1	0	0	0	0
28	145-408	Set Screw	6	6	6	6	0	0	0	0
29	CK13-26	Cam	6	6	6	6	0	0	0	0
30	125-708	Screw	8	8	8	8	0	0	0	0
31	184-105	Flat Washer	8	8	8	8	0	0	0	0
32	125-612	Screw	8	8	8	8	0	0	0	0
33	7205-08023	Pin	1	1	1	1	0	0	0	0
34	E10-29-3	Limit Switch	4	4	4	4	0	0	0	0
35	5805-02389	Limit Switch Bracket	4	4	4	4	0	0	0	0
36	5805-02386	Hinge Bracket	1	1	1	1	0	0	0	0
37	145-505	Set Screw	2	2	2	2	0	0	0	0
38	7205-08067	Lever	1	1	1	1	0	0	0	0
39	7205-08037	Pin	1	1	1	1	0	0	0	0
40	117-510.01	Screw	4	4	4	4	0	0	0	0
41	7205-08053	Bracket	2	2	2	2	0	0	0	0
42	7205-08054	Pin	1	1	1	1	0	0	0	0
43	7205-08055	Pin	1	1	1	1	0	0	0	0
44	180-106	Lock Washer	1	1	1	1	0	0	0	0
45	170-106	Nut	1	1	1	1	0	0	0	0
46	7205-08041	Pin	1	1	1	1	0	0	0	0
47	5805-02385	Hinge Bracket	1	1	1	1	0	0	0	0
48	7205-08012	Lever	1	1	1	1	0	0	0	0
49	7205-08042	Pin	1	1	1	1	0	0	0	0
50	7205-08011	Lever	1	1	1	1	0	0	0	0
51	7205-08025	Pin	1	1	1	1	0	0	0	0
52	7205-08026	Pin	1	1	1	1	0	0	0	0
53	7205-08035	Hinge Bracket	1	1	1	1	0	0	0	0
54	7205-08058	Spacer	1	1	1	1	0	0	0	0
55	CK13-23	Pin	1	1	1	1	0	0	0	0
56	125-712.01	Screw	12	12	12	12	0	0	0	0
57	180-105.01	Lock Washer	14	14	14	14	0	0	0	0
58	G09-07-3	Hinge	2	2	2	2	0	0	0	0
59	G09-08-3	Hinge	3	3	3	3	0	0	0	0
60	CK13-06	Nut	6	6	6	6	0	0	0	0
61	CK13-25	Hinge	1	1	1	1	0	0	0	0
62	7205-08036	Hinge	1	1	1	1	0	0	0	0
63	125-710.01	Screw	2	2	2	2	0	0	0	0
64	G07-09-3	Pin	2	2	2	2	0	0	0	0
65	7205-02126	Cover	1	1	1	1	0	0	0	0
66	125-710	Screw	4	4	4	4	0	0	0	0
67	7205-08031	Stopper	12	12	12	12	0	0	0	0
68	7205-08046	Screw	12	12	12	12	0	0	0	0
69	6505-02062	Plate	2	2	2	2	0	0	0	0
70	6505-02061	Plate	2	2	2	2	0	0	0	0



INDEX No.	Parts No.	Description (Remarks)	Unit Per Assy							
			C48	C48L	C48SF	-SF C48L	C248E	C248L	-SF C248E	-SF C248L
01	117-512	Screw	0	0	0	0	21	21	21	21
02	180-105	Lock Washer	0	0	0	0	29	29	29	29
03	117-510	Screw	0	0	0	0	7	7	7	7
04	7205-02034	Cover	0	0	0	0	1	1	1	1
05	7205-02011	Cover	0	0	0	0	1	1	1	1
06	7205-02045	Cover	0	0	0	0	1	1	1	1
07	5805-02052A	Screw	0	0	0	0	2	2	2	2
08	117-515	Screw	0	0	0	0	2	2	2	2
09	7205-02059	Bracket	0	0	0	0	1	1	1	1
10	7205-02008	Cover	0	0	0	0	1	1	1	1
11	7205-02010A	Cover	0	0	0	0	1	1	1	1
12	7205-02057	Packing	0	0	0	0	1	1	1	1
13	7205-02154	Screw	0	0	0	0	1	1	1	1
14	7205-02141	Cover	0	0	0	0	1	1	1	1
15	7205-02012	Ink Cover	0	0	0	0	1	1	1	1
16	7205-02044	Cover	0	0	0	0	1	1	1	1
17	7205-02014	Cover	0	0	0	0	1	1	1	1
18	7205-02015A	Cover	0	0	0	0	1	1	1	1
19	7205-02086	Feeder Cover	0	0	0	0	1	1	0	0
20	7205-02050	Stud	0	0	0	0	6	6	4	4
21	7205-02152	Screw	0	0	0	0	2	2	2	2
22	7205-02006	Delivery Frame Cover	0	0	0	0	1	1	1	1
23	7205-02042	Tool Hanger	0	0	0	0	1	1	1	1
24	7205-02013	Ink Cover	0	0	0	0	1	1	1	1
25	7205-02051	Stud	0	0	0	0	5	5	5	5
26	117-512.01	Screw	0	0	0	0	5	5	5	5
27	7205-02052	Stud	0	0	0	0	3	3	3	3
28	6506-12021	Stud	0	0	0	0	5	5	3	3
29	6505-02087	Screw	0	0	0	0	5	5	3	3
30	7205-02135	Access Cover	0	0	0	0	1	1	1	1
31	7205-02018	Cover Plate	0	0	0	0	1	1	1	1
32	7205-02004	Base Cover	0	0	0	0	1	1	1	1
33	7205-02058	Cover Plate	0	0	0	0	1	1	1	1
34	7205-02017	Cover Plate	0	0	0	0	1	1	1	1
35	6705-08026	Handle	0	0	0	0	1	1	1	1
36	7205-02135A	Access Cover Assy	0	0	0	0	1	1	1	1
37	7205-02004A	Base Cover Assy	0	0	0	0	1	1	1	1
38	117-375	Screw	0	0	0	0	0	0	4	4
39	7205-02136	Limit Switch Bracket	0	0	0	0	1	1	1	1
40	7205-02066	Feeder Cover	0	0	0	0	0	0	1	1
41	7205-02062	Cover Plate	0	0	0	0	0	0	1	1
42	7205-02133	Feeder Cover	0	0	0	0	0	0	1	1
43	7205-02046	Limit Switch Bracket	0	0	0	0	2	2	2	2
44	125-615	Screw	0	0	0	0	6	6	6	6
45	125-710	Screw	0	0	0	0	6	6	6	6
46	E10-30-3	Limit Switch	0	0	0	0	3	3	3	3
47	180-103	Lock Washer	0	0	0	0	6	6	6	6
48	170-103	Nut	0	0	0	0	6	6	6	6
49	7205-02081	Limit Switch Bracket	0	0	0	0	1	1	1	1
50	7205-02170	Cover	0	0	0	0	1	1	0	0
51	7205-02172	Cover	0	0	0	0	0	0	1	1
52	7205-02177	Base Cover	0	0	0	0	1	1	1	1
53	7205-02179A	Base Cover Assy	0	0	0	0	1	1	1	1
54	7205-02005	Access Cover	0	0	0	0	1	1	1	1
55	7205-02005A	Access Cover Assy	0	0	0	0	1	1	1	1
56	7205-02036	Sliding Rail	0	0	0	0	2	2	2	2
57	122-056	Screw	0	0	0	0	8	8	8	8
58	7205-02067	Plate	0	0	0	0	2	2	2	2
59	5805-02472A	Stopper Bracket	0	0	0	0	1	1	1	1
60	5805-02473	Cushion	0	0	0	0	1	1	1	1
61	7205-02049	Cover	0	0	0	0	1	1	1	1
62	7205-02165	Tray	0	0	0	0	1	1	1	1
63	125-708	Screw	0	0	0	0	2	2	2	2
64	E-103-01	Knob	0	0	0	0	0	0	1	1
65	5105-02036	Hinge	0	0	0	0	4	4	4	4

T1061 DETAIL E

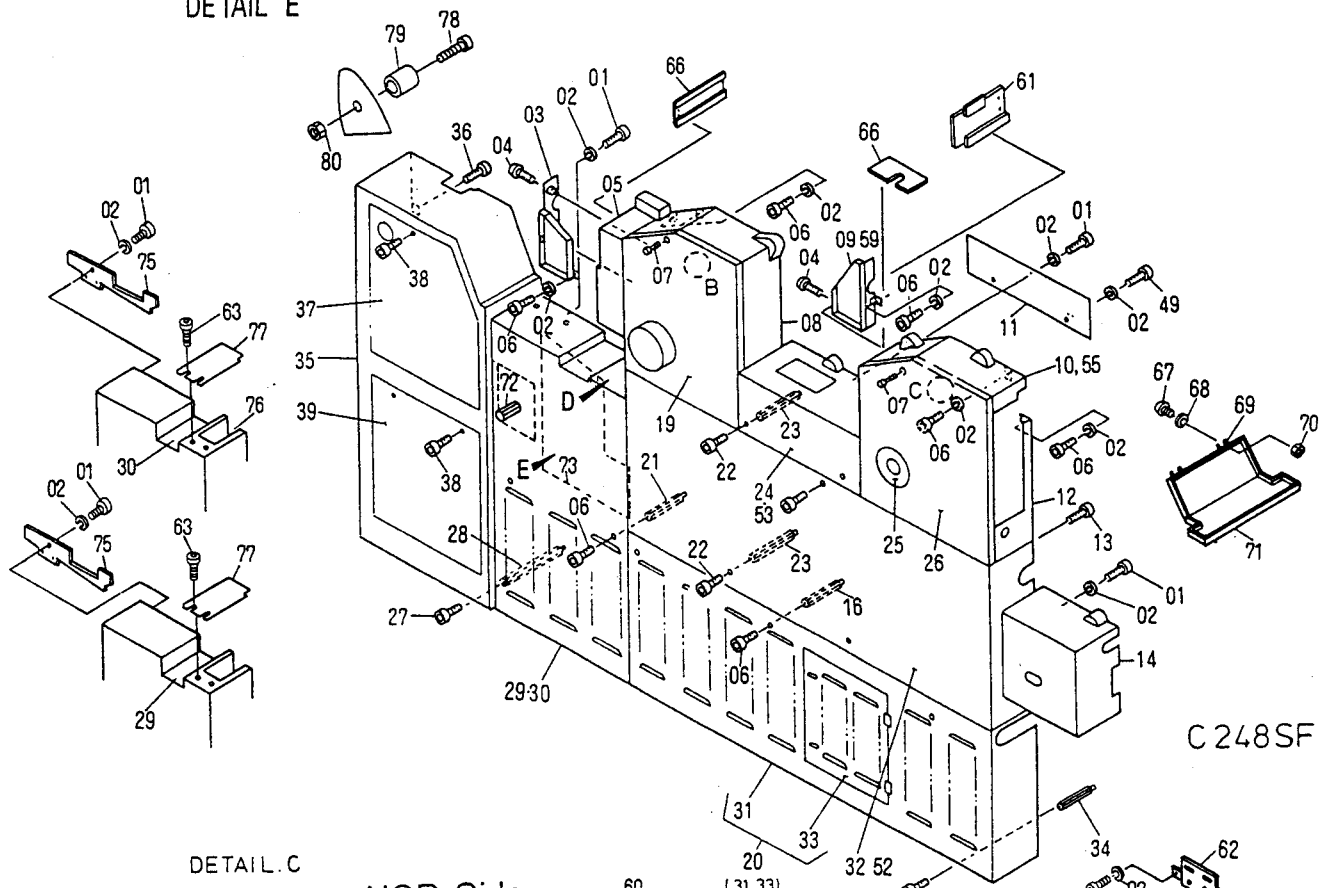


Cover (C248 / C248SF NOP-S)

T1061 (1)

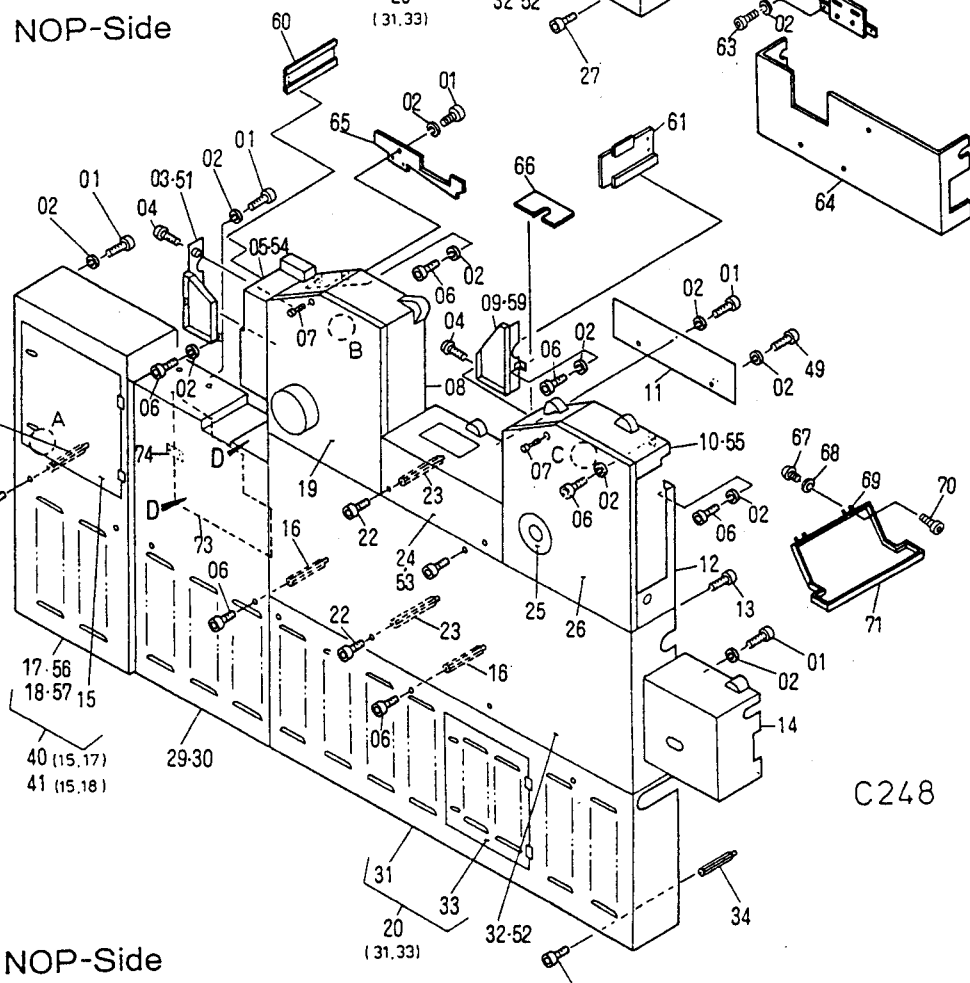
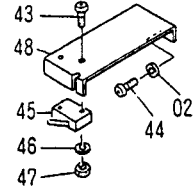
INDEX No.	Parts No.	Description (Remarks)	Unit Per Assy							
			C48	C48L	C48SF	-SF C48L	C248E	C248L	-SF C248E	-SF C248L
01	117-510	Screw	0	0	0	0	6	6	6	6
02	180-105	Lock Washer	0	0	0	0	24	24	24	24
03	7205-02007	Cover	0	0	0	0	1	0	1	0
04	125-710.01	Screw	0	0	0	0	3	3	3	3
05	7205-02026	Cover	0	0	0	0	1	0	1	0
06	117-512.01	Screw	0	0	0	0	15	15	15	15
07	5805-02052A	Screw	0	0	0	0	2	2	2	2
08	7205-02027	Cover	0	0	0	0	1	1	1	1
09	7205-02063	Cover	0	0	0	0	1	0	1	0
10	7205-02028	Cover	0	0	0	0	1	0	1	0
11	7205-02060	Bracket	0	0	0	0	1	1	1	1
12	7205-02029	Cover	0	0	0	0	1	1	1	1
13	7205-02152	Screw	0	0	0	0	2	2	2	2
14	7205-02023	Delivery Frame Cover	0	0	0	0	1	1	1	1
15	7205-02032	Cover Plate	0	0	0	0	1	1	0	0
16	7205-02054	Stud	0	0	0	0	7	7	3	3
17	7205-02003	Feeder Cover	0	0	0	0	0	1	0	0
18	7205-02019	Feeder Cover	0	0	0	0	1	0	0	0
19	7205-02030	Ink Cover	0	0	0	0	1	1	1	1
20	7205-02021A	Base Cover Assy	0	0	0	0	1	1	1	1
21	7205-02053	Stud	0	0	0	0	0	0	2	2
22	117-512.01	Screw	0	0	0	0	5	5	5	5
23	7205-02055	Stud	0	0	0	0	5	5	5	5
24	7205-02025	Cover	0	0	0	0	1	0	1	0
25	7205-02043	Plate	0	0	0	0	1	1	1	1
26	7205-02031	Ink Cover	0	0	0	0	1	1	1	1
27	6505-02087	Screw	0	0	0	0	6	6	7	7
28	7205-02056	Stud	0	0	0	0	0	0	3	3
29	7205-02158A	Cover	0	0	0	0	1	1	0	0
30	7205-02159A	Cover	0	0	0	0	0	0	1	1
31	7205-02021	Base Cover	0	0	0	0	1	1	1	1
32	7205-02022	Access Cover	0	0	0	0	1	0	1	0
33	7205-02033	Cover Plate	0	0	0	0	1	1	1	1
34	6505-02030	Stud	0	0	0	0	7	7	3	3
35	7205-02024	Feeder Cover	0	0	0	0	0	0	1	1
36	117-375	Screw	0	0	0	0	0	0	3	3
37	7205-02065	Cover Plate	0	0	0	0	0	0	1	1
38	117-358.01	Screw	0	0	0	0	0	0	3	3
39	7205-02064	Cover Plate	0	0	0	0	0	0	1	1
40	7205-02003A	Feeder Cover Assy	0	0	0	0	0	1	0	0
41	7205-02019A	Feeder Cover Assy	0	0	0	0	1	0	0	0
42	7205-02087	Limit Switch Bracket	0	0	0	0	1	1	1	1
43	125-615	Screw	0	0	0	0	6	6	4	4
44	125-710	Screw	0	0	0	0	6	6	4	4
45	E10-30-3	Limit Switch	0	0	0	0	3	3	2	2
46	180-103	Lock Washer	0	0	0	0	6	6	4	4
47	170-103	Nut	0	0	0	0	6	6	4	4
48	7205-02046	Limit Switch Bracket	0	0	0	0	2	2	1	1
49	117-515	Screw	0	0	0	0	2	2	2	2
50	7205-02088	Stud	0	0	0	0	1	1	0	0
51	7205-02146	Cover (Dampening water circulation system)	0	0	0	0	0	1	0	1
52	7205-02149	Cover (Dampening water circulation system)	0	0	0	0	0	1	0	1
53	7205-02151	Cover (Dampening water circulation system)	0	0	0	0	0	1	0	1
54	7205-02145	Cover (Dampening water circulation system)	0	0	0	0	0	1	0	1
55	7205-02144	Cover (Dampening water circulation system)	0	0	0	0	0	1	0	1
56	7205-02174	Cover (Option)	0	0	0	0	0	1	0	0
57	7205-02171	Cover	0	0	0	0	1	0	0	0
58	7205-02173	Cover	0	0	0	0	0	0	1	1
59	7205-02147	Cover (Dampening water circulation system)	0	0	0	0	0	1	0	1
60	7205-02142	Cover (Dampening water circulation system)	0	0	0	0	1	1	1	1
61	7205-02143	Cover (Dampening water circulation system)	0	0	0	0	1	1	1	1
62	7205-02148A	Cover (Dampening water circulation system)	0	0	0	0	1	1	1	1
63	117-508	Screw	0	0	0	0	2	2	2	2
64	7205-02149	Cover (Dampening water circulation system)	0	0	0	0	1	1	1	1
65	7205-02041	Cover	0	0	0	0	1	1	1	1
66	7205-02150	Cover	0	0	0	0	1	1	1	1
67	125-106	Screw	0	0	0	0	4	4	4	4
68	180-104	Lock Washer	0	0	0	0	4	4	4	4
69	7205-02167	Bracket (Included in 71)	0	0	0	0	2	2	2	2
70	170-104	Nut	0	0	0	0	4	4	4	4

T1061
DETAIL E



C 248SF

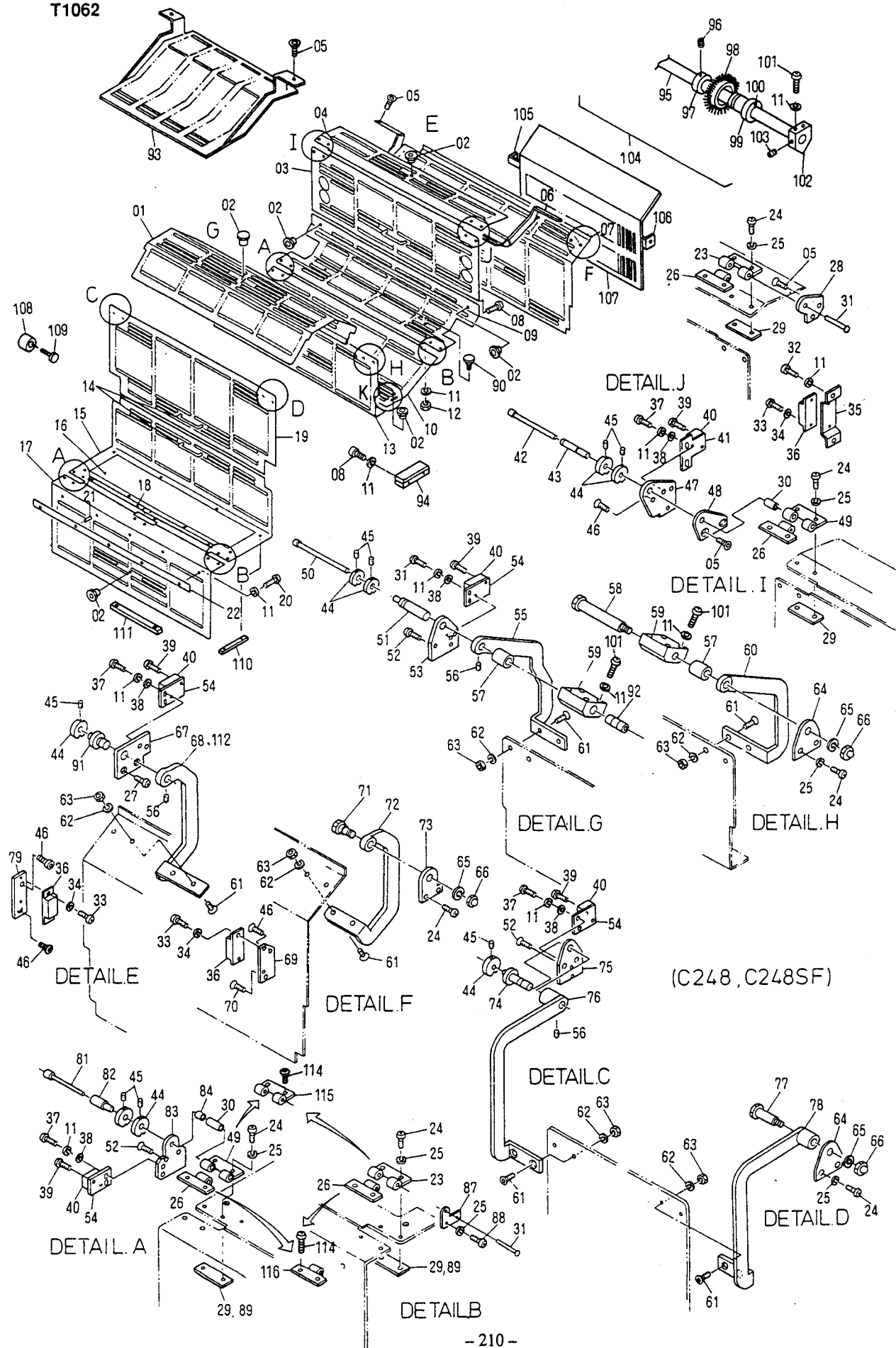
DETAIL C
NOP-Side



C248

INDEX No.	Parts No.	Description (Remarks)												
			C48	C48L	C48SF	-SF C48L	C248E	C248L	-SF C248E	-SF C248L				
71	7205-02166A	Tray Assy	0	0	0	0	1	1	1	1				
72	7205-02048	Stud	0	0	0	0	0	0	0	1	1			
73	7205-02040	Cover	0	0	0	0	1	1	1	1	1			
74	7205-02047	Bracket	0	0	0	0	1	1	0	0				
75	7205-02162	Cover	0	0	0	0	1	1	1	1				
76	7205-02161	Cover	0	0	0	0	0	1	0	1				
77	7205-02160	Cover	0	0	0	0	1	0	1	0				
78	7205-08046	Screw	0	0	0	0	2	2	2	2				
79	7205-08031	Cushion	0	0	0	0	2	2	2	2				
80	170-105	Nut	0	0	0	0	2	2	2	2				

T1062

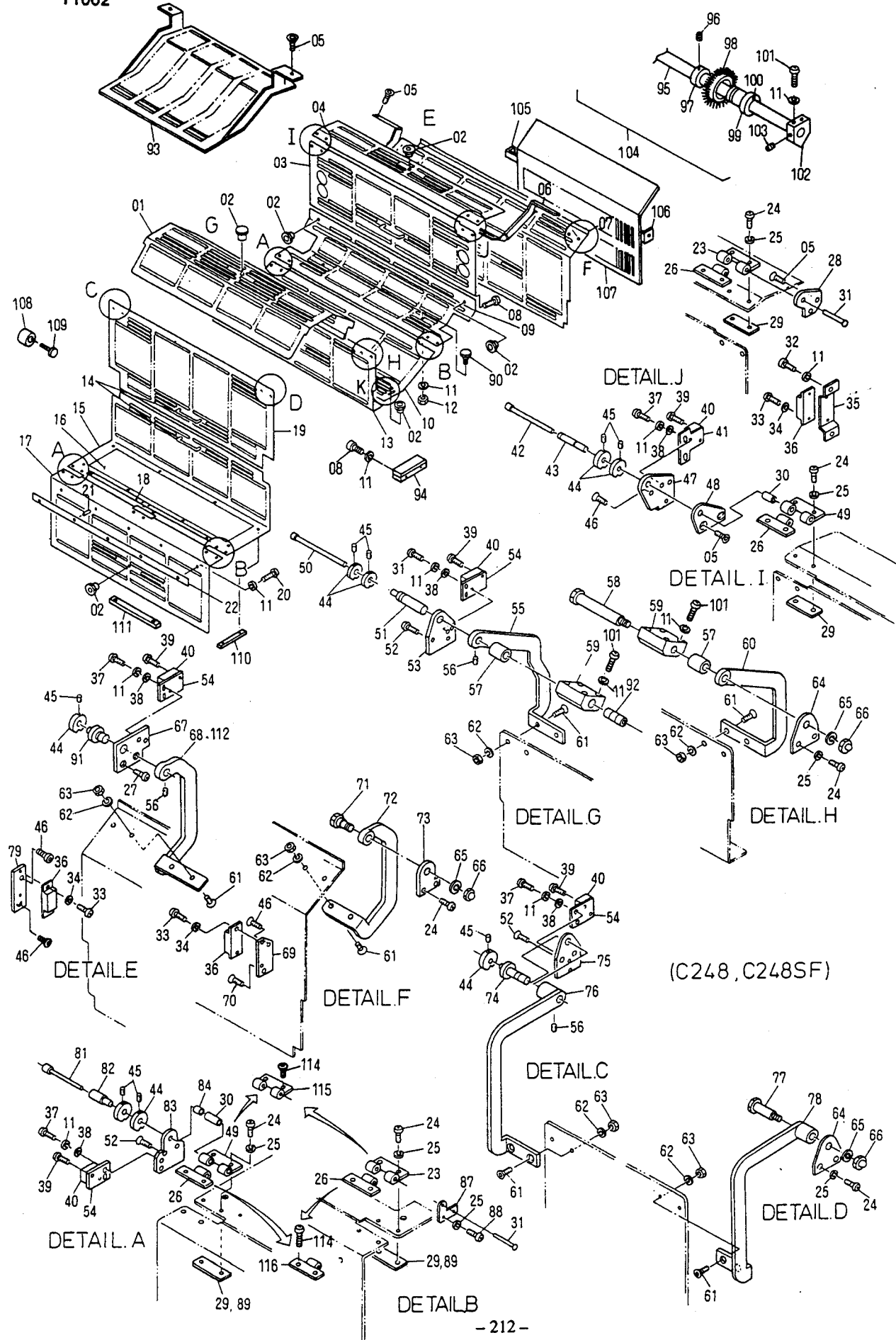


Cover (C248, C248SF)

T1062 (1)

INDEX No.	Parts No.	Description (Remarks)	Unit Per Assy							
			C48	C48L	C48SF	-SF C48L	C248E	C248L	-SF C248E	-SF C248L
01	7205-08065	Cover	0	0	0	0	1	1	1	1
02	I29-32-3	Knob	0	0	0	0	8	8	8	8
03	7205-08007	Cover	0	0	0	0	1	1	1	1
04	7205-08017	Cover	0	0	0	0	1	1	1	1
05	122-110.01	Screw	0	0	0	0	6	6	6	6
06	7205-08062	Cover	0	0	0	0	1	1	1	1
07	7203-20111	Cover	0	0	0	0	1	1	1	1
08	125-712	Screw	0	0	0	0	8	8	8	8
09	7205-08006	Cover	0	0	0	0	1	1	1	1
10	7205-08072	Cover	0	0	0	0	1	1	1	1
11	180-105	Lock Washer	0	0	0	0	19	19	19	19
12	170-105	Nut	0	0	0	0	2	2	2	2
13	7205-08064	Cover	0	0	0	0	1	1	1	1
14	5805-02480	Handle	0	0	0	0	4	4	4	4
15	7205-08009	Cover	0	0	0	0	1	1	1	1
16	7205-08013	Cover	0	0	0	0	1	1	1	1
17	7205-08010	Cover	0	0	0	0	1	1	1	1
18	7203-02012	Scale	0	0	0	0	1	1	1	1
19	7205-08008	Cover	0	0	0	0	1	1	1	1
20	125-706	Screw	0	0	0	0	3	3	3	3
21	183-178	Roll Pin	0	0	0	0	2	2	2	2
22	7205-08014	Cover Plate	0	0	0	0	1	1	1	1
23	CK13-25	Hinge	0	0	0	0	3	3	3	3
24	125-712.01	Screw	0	0	0	0	26	26	26	26
25	180-105.01	Lock Washer	0	0	0	0	28	28	28	28
26	G09-08-3	Hinge	0	0	0	0	6	6	6	6
27	122-112.01		0	0	0	0	2	2	2	2
28	7205-08029	Hinge Bracket	0	0	0	0	1	1	1	1
29	CK13-06	Nut	0	0	0	0	8	8	8	8
30	CK13-23	Pin	0	0	0	0	3	3	3	3
31	G09-09-3	Pin	0	0	0	0	3	3	3	3
32	117-510	Screw	0	0	0	0	4	4	4	4
33	125-606	Screw	0	0	0	0	8	8	8	8
34	184-103	Flat Washer	0	0	0	0	8	8	8	8
35	7205-08070	Bracket	0	0	0	0	2	2	2	2
36	C-191-01	Magnet	0	0	0	0	4	4	4	4
37	125-708	Screw	0	0	0	0	10	10	10	10
38	184-105	Flat Washer	0	0	0	0	10	10	10	10
39	125-612	Screw	0	0	0	0	10	10	10	10
40	E10-29-3	Limit Switch	0	0	0	0	5	5	5	5
41	5805-02474	Limit Switch Base	0	0	0	0	1	1	1	1
42	7202-08022	Pin	0	0	0	0	1	1	1	1
43	7205-08028	Pin	0	0	0	0	1	1	1	1
44	CK13-26	Limit Switch Opening Cam	0	0	0	0	10	10	10	10
45	145-408	Set Screw	0	0	0	0	10	10	10	10
46	122-112	Screw	0	0	0	0	4	4	4	4
47	7205-08030	Hinge Bracket	0	0	0	0	1	1	1	1
48	7205-08038	Hinge Bracket	0	0	0	0	1	1	1	1
49	G09-07-3	Hinge	0	0	0	0	3	3	3	3
50	7205-08027	Pin	0	0	0	0	1	1	1	1
51	7205-08023	Pin	0	0	0	0	1	1	1	1
52	122-110	Screw	0	0	0	0	14	14	14	14
53	5805-02386	Hinge Bracket	0	0	0	0	1	1	1	1
54	5805-02389	Limit Switch Base	0	0	0	0	4	4	4	4
55	7205-08067	Lever	0	0	0	0	1	1	1	1
56	145-505	Set Screw	0	0	0	0	3	3	3	3
57	7205-08043	Spacer	0	0	0	0	2	2	2	2
58	7205-08024	Pin	0	0	0	0	1	1	1	1
59	7205-08020	Bracket	0	0	0	0	2	2	2	2
60	7205-08066	Lever	0	0	0	0	1	1	1	1
61	122-165.01	Screw	0	0	0	0	12	12	12	12
62	180-106.01	Lock Washer	0	0	0	0	12	12	12	12
63	170-106.01	Nut	0	0	0	0	12	12	12	12
64	5805-02255	Hinge Bracket	0	0	0	0	2	2	2	2
65	180-108.01	Lock Washer	0	0	0	0	3	3	3	3
66	170-508	Cap Nut	0	0	0	0	3	3	3	3
67	7205-08033	Hinge Bracket	0	0	0	0	1	1	1	1
68	7205-08016	Lever	0	0	0	0	1	1	1	1
69	7205-08069	Bracket	0	0	0	0	1	1	1	1
70	122-130	Screw	0	0	0	0	1	1	1	1

T1062

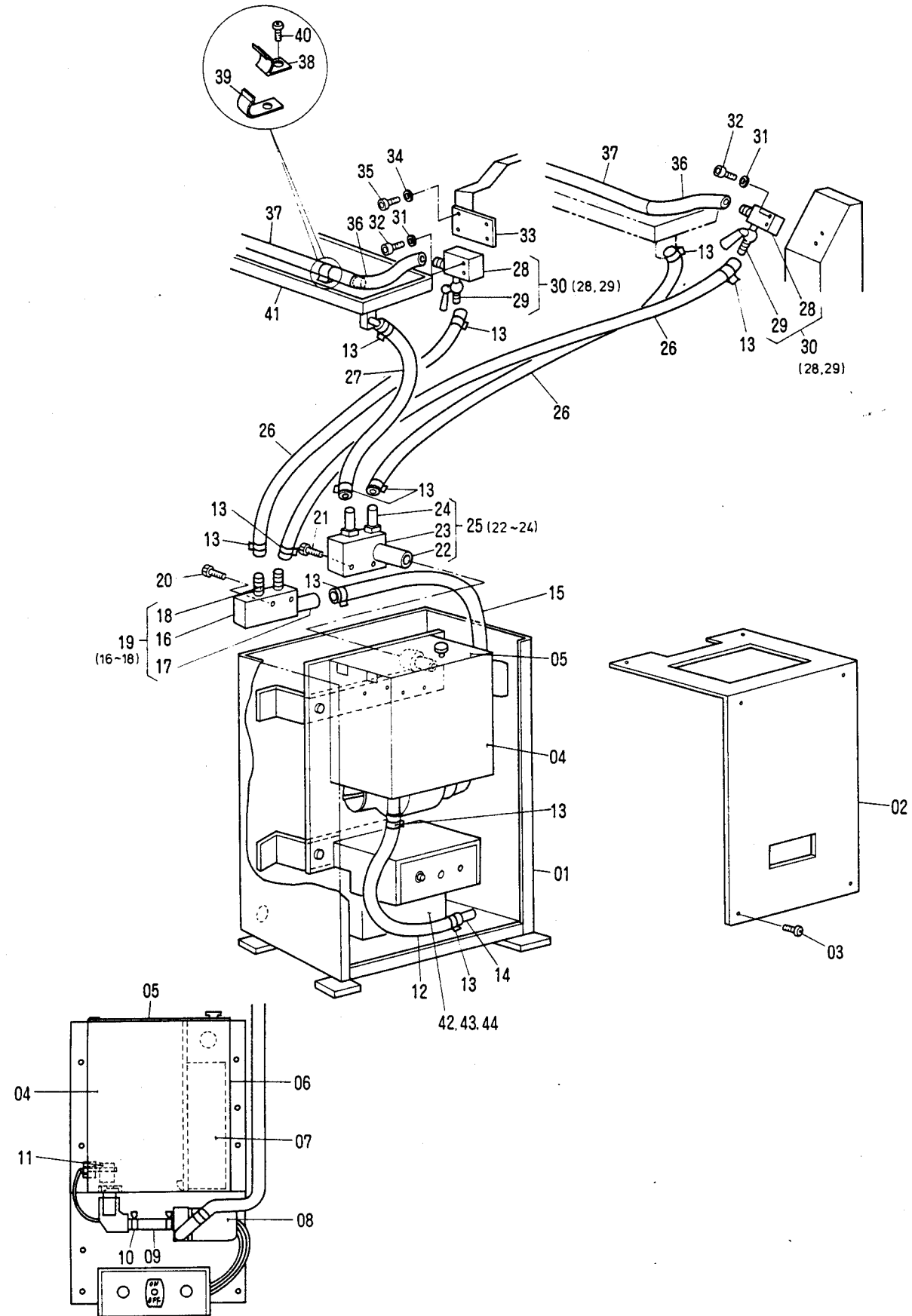


(C248, C248SF)

Cover (C248, C248SF)

T1062 (2)

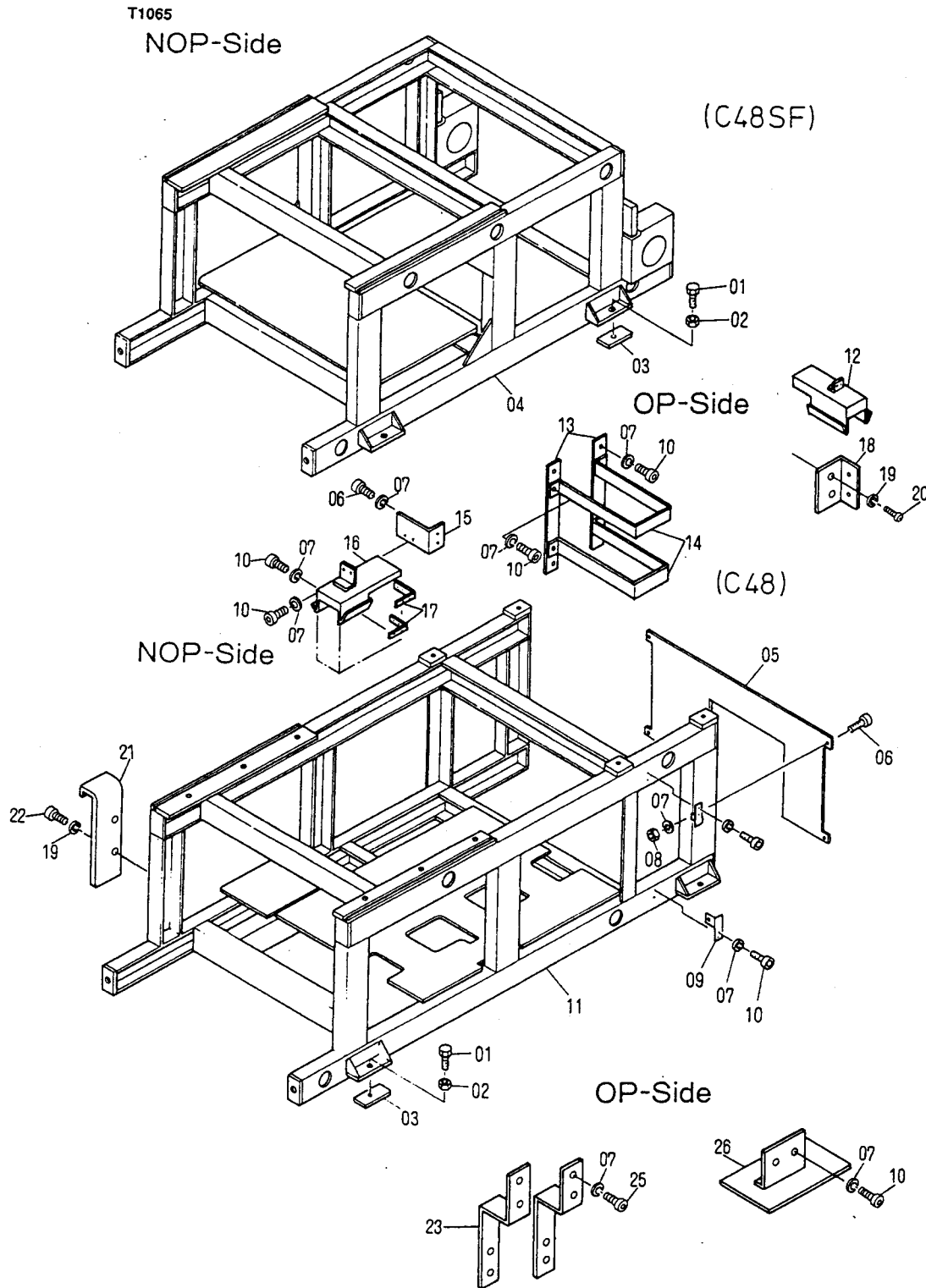
INDEX No.	Parts No.	Description (Remarks)	Unit Per Assy							
			C48	C48L	C48SF	-SF C48L	C248E	C248L	-SF C248E	-SF C248L
71	7205-08034	Pin	0	0	0	0	1	1	1	1
72	7205-08015	Lever	0	0	0	0	1	1	1	1
73	7205-08032	Hinge Bracket	0	0	0	0	1	1	1	1
74	7205-08041	Pin	0	0	0	0	1	1	1	1
75	5805-02385	Hinge Bracket	0	0	0	0	1	1	1	1
76	7205-08012	Lever	0	0	0	0	1	1	1	1
77	7205-08042	Pin	0	0	0	0	1	1	1	1
78	7205-08011	Lever	0	0	0	0	1	1	1	1
79	7205-08068	Bracket	0	0	0	0	1	1	1	1
80	117-515	Screw	0	0	0	0	1	1	1	1
81	7205-08025	Pin	0	0	0	0	1	1	1	1
82	7205-08026	Pin	0	0	0	0	1	1	1	1
83	7205-08035	Hinge Bracket	0	0	0	0	1	1	1	1
84	7205-08058	Spacer	0	0	0	0	1	1	1	1
85	125-662.01	Screw	0	0	0	0	4	4	4	4
86	180-104.01	Lock Washer	0	0	0	0	4	4	4	4
87	7205-08036	Hinge Bracket	0	0	0	0	2	2	2	2
88	125-710.01	Screw	0	0	0	0	4	4	4	4
89	4807-21006	Nut	0	0	0	0	4	4	4	4
90	7205-08045	Stopper Pin	0	0	0	0	2	2	2	2
91	7205-08021	Pin	0	0	0	0	1	1	1	1
92	7205-08037	Pin	0	0	0	0	1	1	1	1
93	7205-08062	Cover	0	0	0	0	1	1	1	1
94	7205-02096A	Stopper Bracket Assy	0	0	0	0	2	2	2	2
95	7205-02092	Shaft	0	0	0	0	1	1	1	1
96	145-405	Set Screw	0	0	0	0	2	2	2	2
97	7205-02094	Collar	0	0	0	0	2	2	2	2
98	7205-02095	Roller	0	0	0	0	2	2	2	2
99	7205-02093	Collar	0	0	0	0	2	2	2	2
100	H04-38-3	Key	0	0	0	0	2	2	2	2
101	125-710	Screw	0	0	0	0	4	4	4	4
102	7205-02091	Bracket	0	0	0	0	2	2	2	2
103	145-506	Set Screw	0	0	0	0	2	2	2	2
104	7205-02091A	Paper Guide Assy (95 ~ 103)	0	0	0	0	1	1	1	1
105	6505-02081	Bracket	0	0	0	0	1	1	1	1
106	5805-02035	Bracket	0	0	0	0	1	1	1	1
107	6505-02051	Cover	0	0	0	0	1	1	1	1
108	7205-08031	Stopper	0	0	0	0	14	14	14	14
109	7205-08046	Screw	0	0	0	0	14	14	14	14
110	6505-02061	Plate	0	0	0	0	2	2	2	2
111	6505-02062	Plate	0	0	0	0	2	2	2	2
112	7205-08074	Lever	0	0	0	0	1	1	1	1
113	7205-08073	Lever	0	0	0	0	1	1	1	1
114	112-056	Screw	0	0	0	0	8	8	8	8
115	4807-21022	Hinge	0	0	0	0	2	2	2	2
116	4807-21008	Hinge	0	0	0	0	2	2	2	2

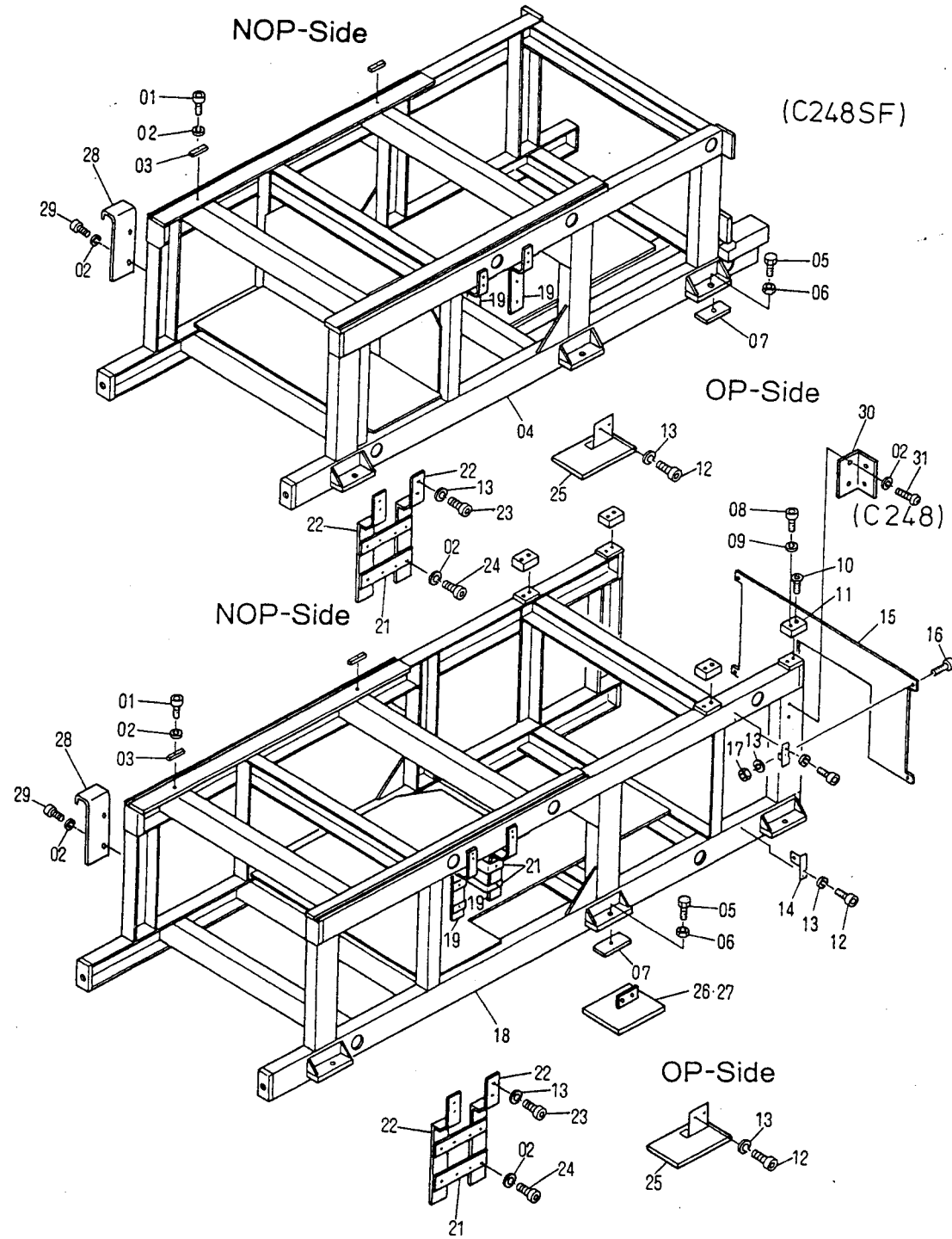


Water Circulator
(C48L-C48L-SF-C248L-C248L-SF)

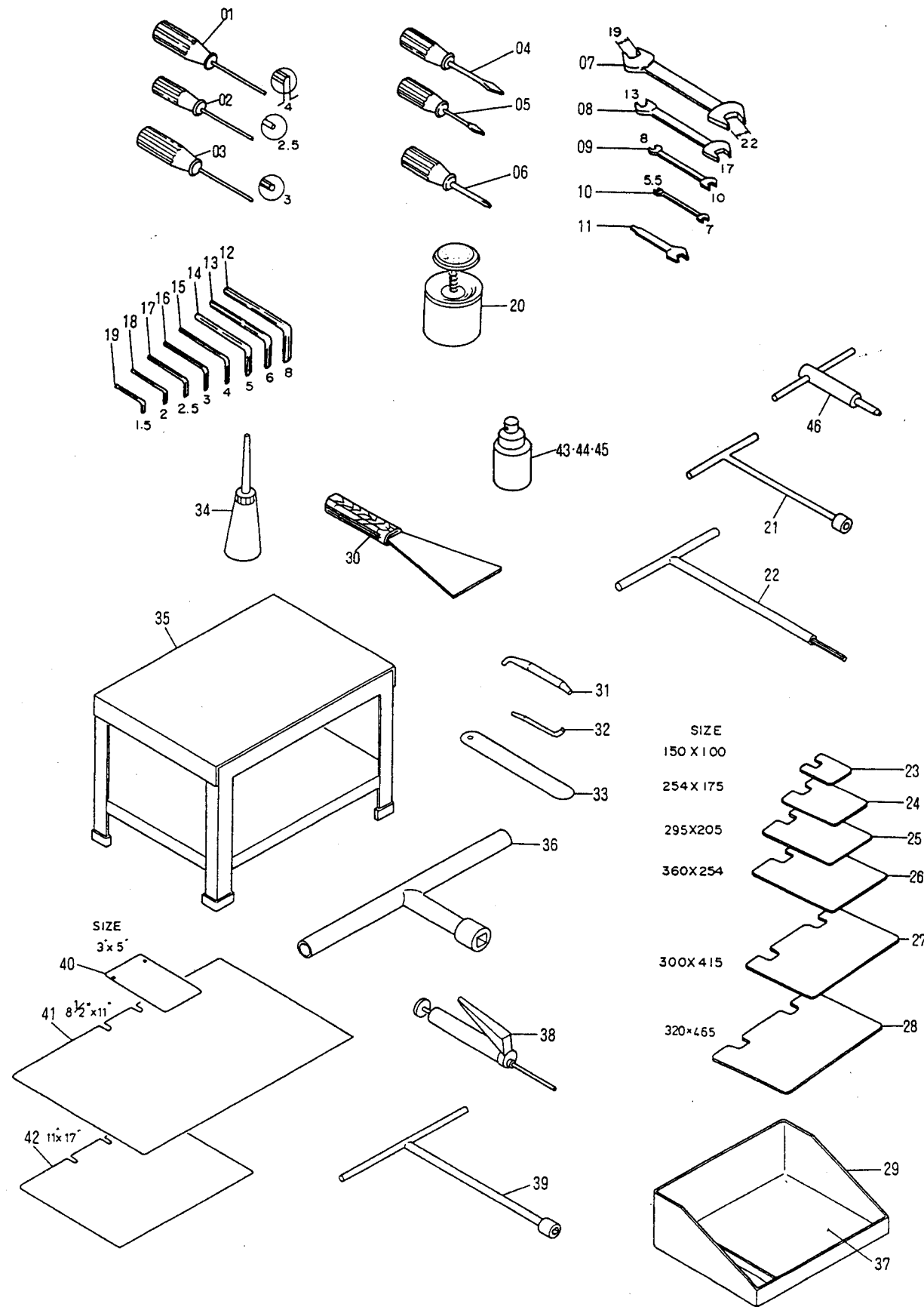
INDEX No.	Parts No.	Description (Remarks)	Unit Per Assy							
			C48	C48L	C48SF	-SF C48L	C248E	C248L	-SF C248E	-SF C248L
01	7203-16420	Frame	-	1	-	1	-	1	-	1
02	7203-16377	Cover	-	1	-	1	-	1	-	1
03	125-106.01	Screw	-	13	-	13	-	13	-	13
04	W-201	Bottle	-	1	-	1	-	1	-	1
05	W-205	Plate (Cover)	-	1	-	1	-	1	-	1
06	W-202	Filter Box	-	1	-	1	-	1	-	1
07	5803-11058	Filter	-	3	-	3	-	3	-	3
08	E01-115-3	Pump Assy	-	1	-	1	-	1	-	1
09	W-210	Hose	-	1	-	1	-	1	-	1
10	W-211	Hose Band	-	2	-	2	-	2	-	2
11	W-204	Sensor	-	1	-	1	-	1	-	1
12	7203-16412	Hose	-	1	-	1	-	1	-	1
13	6703-11015	Hose Band	-	11	-	11	-	11	-	11
14	6703-11011	Valve	-	1	-	1	-	1	-	1
15	7203-16410	Hose	-	1	-	1	-	1	-	1
16	7203-16381	Hose Joint	-	1	-	1	-	1	-	1
17	7203-16383	Nipple	-	1	-	1	-	1	-	1
18	6703-11009	Nipple	-	2	-	2	-	2	-	2
19	7203-16381A	Hose Joint Assy (16-18)	-	1	-	1	-	1	-	1
20	101-532.01	Screw	-	2	-	2	-	2	-	2
21	101-531.01	Screw	-	2	-	2	-	2	-	2
22	7203-16380	Nipple	-	1	-	1	-	1	-	1
23	7203-16378	Hose Joint	-	1	-	1	-	1	-	1
24	5203-07064	Nipple	-	2	-	2	-	2	-	2
25	7203-16378A	Hose Joint Assy (22-24)	-	1	-	1	-	1	-	1
26	7203-16408	Hose	-	1	-	1	-	3	-	3
27	7203-16409	Hose	-	1	-	1	-	1	-	1
28	7203-16369	Hose Joint	-	1	-	1	-	2	-	2
29	W-107-01	Valve	-	1	-	1	-	2	-	2
30	7203-16369A	Hose Joint Assy (28, 29)	-	1	-	1	-	2	-	2
31	180-105.01	Lock Washer	-	2	-	2	-	4	-	4
32	117-532.01	Screw	-	2	-	2	-	4	-	4
33	7203-16368	Bracket	-	1	-	1	-	2	-	2
34	180-106.01	Lock Washer	-	2	-	2	-	4	-	4
35	117-365.01	Screw	-	2	-	2	-	4	-	4
36	7203-16413	Hose	-	1	-	1	-	2	-	2
37	7203-16422	Nozzle	-	1	-	1	-	2	-	2
38	7203-16386	Holder (Flat Spring)	-	1	-	1	-	2	-	2
39	7203-16385	Flat Spring	-	1	-	1	-	2	-	2
40	125-655.01	Screw	-	1	-	1	-	2	-	2
41	7203-16317	Water Tray	-	1	-	1	-	2	-	2
42	X10-29-3	Spacer	-	2	-	2	-	4	-	4

INDEX No.	Parts No.	Description (Remarks)	Unit Per Assy							
			C48	C48L	C48SF	-SF C48L	C248E	C248L	-SF C248E	-SF C248L
01	5105-01015	Leveling Screw	4	4	4	4	0	0	0	0
02	170-112	Nut	4	4	4	4	0	0	0	0
03	5105-01013	Leveling Feed	4	4	4	4	0	0	0	0
04	7205-01017	Base Frame	0	0	1	1	0	0	0	0
05	7205-01007	Base Frame Cover	1	1	0	0	0	0	0	0
06	117-365	Screw	4	4	0	0	0	0	0	0
07	180-106	Lock Washer	12	12	0	0	0	0	0	0
08	170-106	Nut	4	4	0	0	0	0	0	0
09	7205-01013	Bracket	4	4	0	0	0	0	0	0
10	117-362	Screw	8	8	0	0	0	0	0	0
11	7205-01018	Base Frame	1	1	0	0	0	0	0	0
12	7205-18032	Cover	0	0	1	1	0	0	0	0
13	7205-18033	Bracket	0	0	2	2	0	0	0	0
14	7205-18034	Bracket	0	0	2	2	0	0	0	0
15	7205-18036	Bracket	1	1	0	0	0	0	0	0
16	7205-18032	Cover	1	1	0	0	0	0	0	0
17	7205-18035	Bracket	2	2	0	0	0	0	0	0
18	7205-18001	Bracket	1	1	0	0	0	0	0	0
19	180-105	Lock Washer	2	2	0	0	0	0	0	0
20	125-710	Screw	2	2	0	0	0	0	0	0
21	7205-18002	Bracket	1	1	0	0	0	0	0	0
22	117-510	Screw	2	2	0	0	0	0	0	0
23	7205-18042	Bracket	2 (1)	2 (1)	2 (1)	2 (1)	0	0	0	0
24	7205-18046	Bracket (S200 - 220, S240, 1380 - 415)	(1)	(1)	(1)	(1)	0	0	0	0
25	7205-18044	Cover	1	1	1	1	0	0	0	0

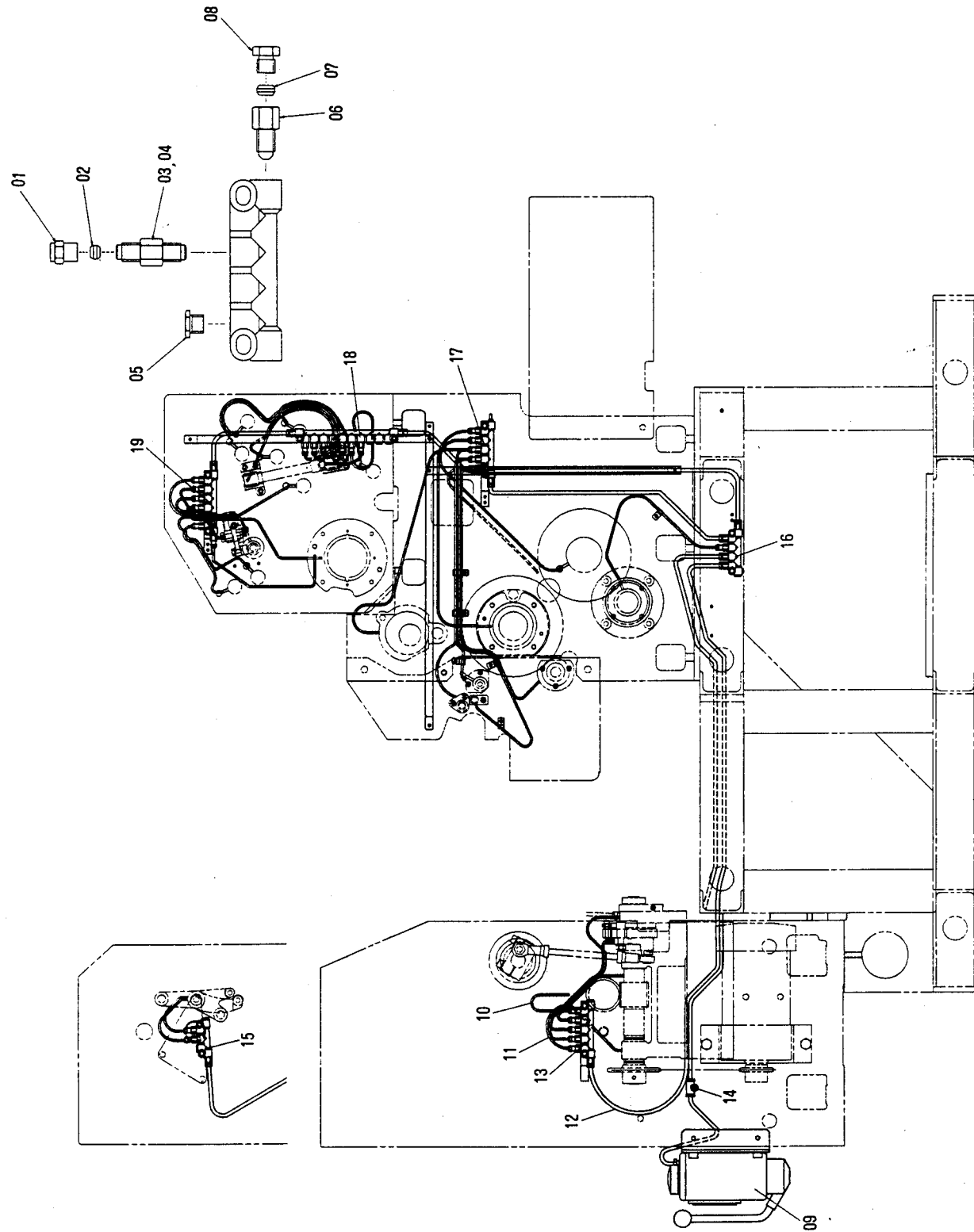




INDEX No.	Parts No.	Description (Remarks)	Unit Per Assy							
			C48	C48L	C48SF	-SF C48L	C248E	C248L	-SF C248E	-SF C248L
01	117-512	Screw	0	0	0	0	2	2	2	2
02	180-105	Lock Washer	0	0	0	0	2	2	2	2
03	7205-01006	Stopper	0	0	0	0	2	2	2	2
04	7205-01012	Base Frame	0	0	0	0	0	0	1	1
05	5105-01015	Leveling Screw	0	0	0	0	6	6	6	6
06	170-112	Nut	0	0	0	0	6	6	6	6
07	5105-01013	Leveling Foot	0	0	0	0	6	6	6	6
08	117-484	Screw	0	0	0	0	4	4	0	0
09	180-108	Lock Washer	0	0	0	0	4	4	0	0
10	122-782	Screw	0	0	0	0	4	4	0	0
11	7205-01005	Block	0	0	0	0	4	4	0	0
12	117-362	Screw	0	0	0	0	8	8	0	0
13	180-106	Lock Washer	0	0	0	0	12	12	0	0
14	7205-01013	Bracket	0	0	0	0	4	4	0	0
15	7205-01007	Base Frame Cover	0	0	0	0	1	1	0	0
16	117-365	Screw	0	0	0	0	4	4	0	0
17	170-106	Nut	0	0	0	0	4	4	0	0
18	7205-01011	Base Frame	0	0	0	0	1	1	0	0
19	7205-18004	Bracket	0	0	0	0	2	2	2	2
20	7205-18022	Bracket	0	0	0	0	2	2	2	2
21	7205-18043	Bracket	0	0	0	0	2	2	2	2
22	7205-18042	Bracket	0	0	0	0	2	2	2	2
23	117-368	Screw	0	0	0	0	4	4	4	4
24	117-515	Screw	0	0	0	0	4	4	4	4
25	7205-18045	Cover	0	0	0	0	1	1	1	1
26	7205-18026	Cover	0	0	0	0	1	1	1	1
27	7205-18031	Cover	0	0	0	0	1	1	1	1
28	7205-18002	Bracket	0	0	0	0	1	1	1	1
29	117-510	Screw	0	0	0	0	2	2	2	2
30	7205-18001	Bracket	0	0	0	0	1	1	1	1
31	125-710	Screw	0	0	0	0	2	2	2	2

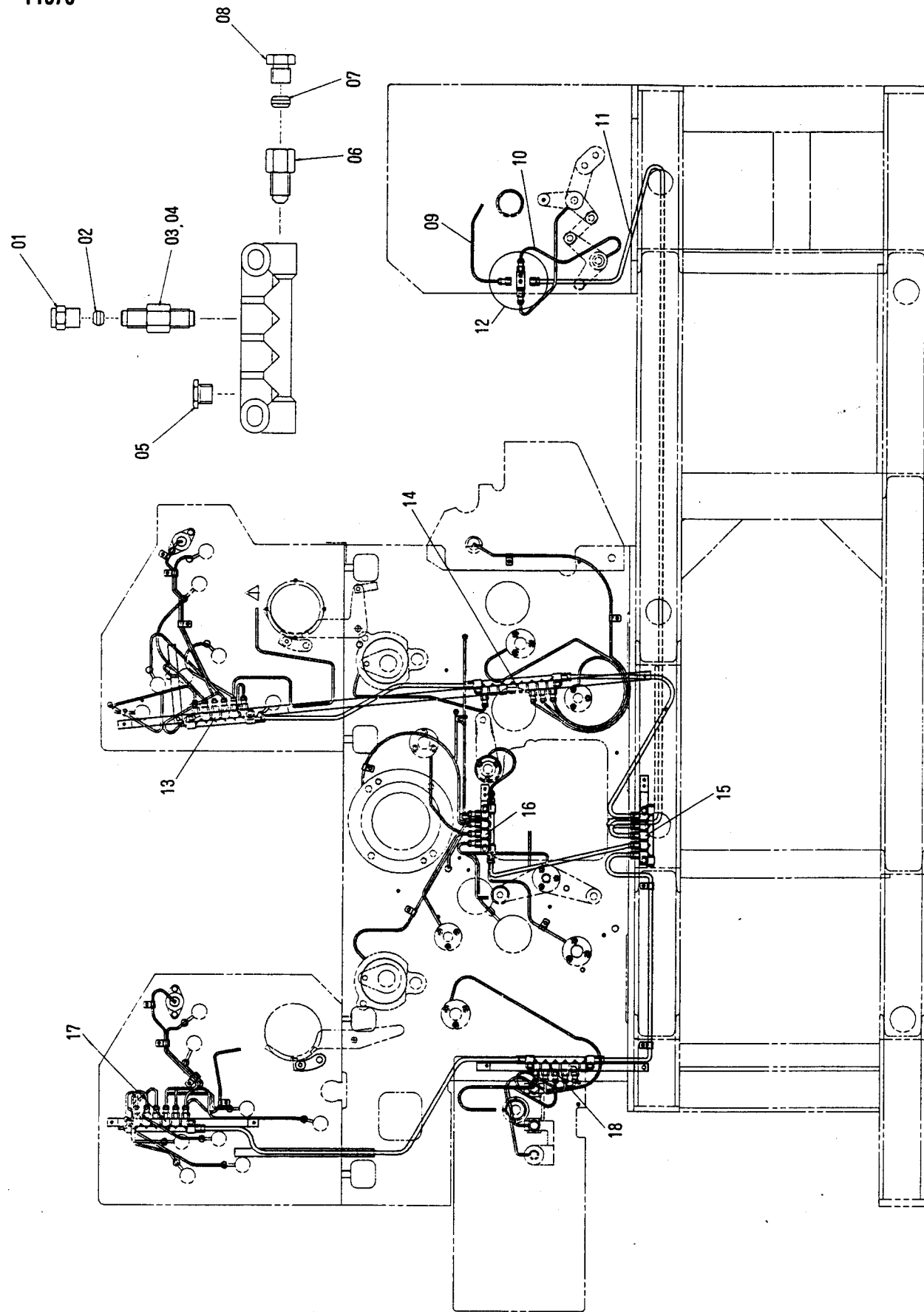


INDEX No.	Parts No.	Description (Remarks)	Unit Per Assy							
			C48	C48L	C48SF	-SF C48L	C248E	C248L	-SF C248E	-SF C248L
01	B03-42-03-3	Screw Driver (Except HAMADA AMERICA)	1	1	1	1	1	1	1	1
02	B03-42-01-3	Screw Driver (Except HAMADA AMERICA)	1	1	1	1	1	1	1	1
03	B03-42-02-3	Screw Driver	1	1	1	1	1	1	1	1
04	B03-46-01-3	Driver	1	1	1	1	1	1	1	1
05	B03-46-02-3	Driver	1	1	1	1	1	1	1	1
06	B03-50-3	Driver	1	1	1	1	1	1	1	1
07	B03-32-04-3	Spanner	1	1	1	1	1	1	1	1
08	B03-32-03-3	Spanner	1	1	1	1	1	1	1	1
09	B03-32-02-3	Spanner	1	1	1	1	1	1	1	1
10	B03-32-01-3	Spanner	1	1	1	1	1	1	1	1
11	4207-12037	Spanner	1	1	1	1	1	1	1	1
12	B03-36-07-3	Set Screw Wrench	1	1	1	1	1	1	1	1
13	B03-36-06-3	Set Screw Wrench	1	1	1	1	1	1	1	1
14	B03-36-05-3	Set Screw Wrench	1	1	1	1	1	1	1	1
15	B03-36-04-3	Set Screw Wrench	1	1	1	1	1	1	1	1
16	B03-36-03-3	Set Screw Wrench	1	1	1	1	1	1	1	1
17	B03-36-02-3	Set Screw Wrench	1	1	1	1	1	1	1	1
18	B03-36-01-3	Set Screw Wrench	1	1	1	1	1	1	1	1
19	B23-01-3	Set Screw Wrench	1	1	1	1	1	1	1	1
20	6505-04037	Plunger-Can (Except HAMADA AMERICA)	1	1	1	1	1	1	1	1
21	B03-30-3	Box Wrench	1	1	1	1	1	1	1	1
22	7205-04024	Box Wrench	1	1	1	1	1	1	1	1
23	CK15-05	Paper Holding Plate	1	1	0	0	1	1	0	0
24	6501-08019	Paper Holding Plate (Except HAMADA AMERICA)	1	1	0	0	1	1	0	0
25	6501-08018	Paper Holding Plate (Except HAMADA AMERICA)	1	1	0	0	1	1	0	0
26	6501-08020	Paper Holding Plate (Except HAMADA AMERICA)	1	1	0	0	1	1	0	0
27	5801-08072	Paper Holding Plate (Except HAMADA AMERICA)	1	1	0	0	1	1	0	0
28	5801-08073	Paper Holding Plate (Except HAMADA AMERICA)	1	1	0	0	1	1	0	0
29	7205-04014	Work Organizer	1	1	1	1	1	1	1	1
30	5605-04006	Spatula	1	1	1	1	2	2	2	2
31	KOG-1	Handle	1	1	1	1	1	1	1	1
32	KOG-7	Handle	1	1	1	1	1	1	1	1
33	7205-04031	Circumference Gauge	0	1	0	1	0	1	0	1
34	B03-47-3	Oiler	1	1	1	1	1	1	1	1
35	6408-12014	Footstool (Option)	1	1	1	1	1	1	1	1
36	7205-04009	Wrench	1	1	1	1	1	1	1	1
37	6505-04040	Gum for Work Organizer	1	1	1	1	1	1	1	1
38	KOG-30	Grease Gun (Option)	1	1	1	1	1	1	1	1
39	7205-04010	Wrench	1	1	1	1	1	1	1	1
40	7201-08040	Paper Holding Plate (Exportable parts) (3" x 5")	1	1	0	0	1	1	0	0
41	7201-08041	Paper Holding Plate (Exportable parts) (8 1/2" x 11")	1	1	0	0	1	1	0	0
42	7201-08042	Paper Holding Plate (Exportable parts) (11" x 17")	1	1	0	0	1	1	0	0
43	5105-04026	Spray (C Color)	1	1	1	1	1	1	1	1
44	7205-04027	Spray (N8)	1	1	1	1	1	1	1	1
45	7205-04028	Spray (AG)	1	1	1	1	1	1	1	1
46	7202-04035	Gauge Pin (Option)	2	2	2	2	2	2	2	2

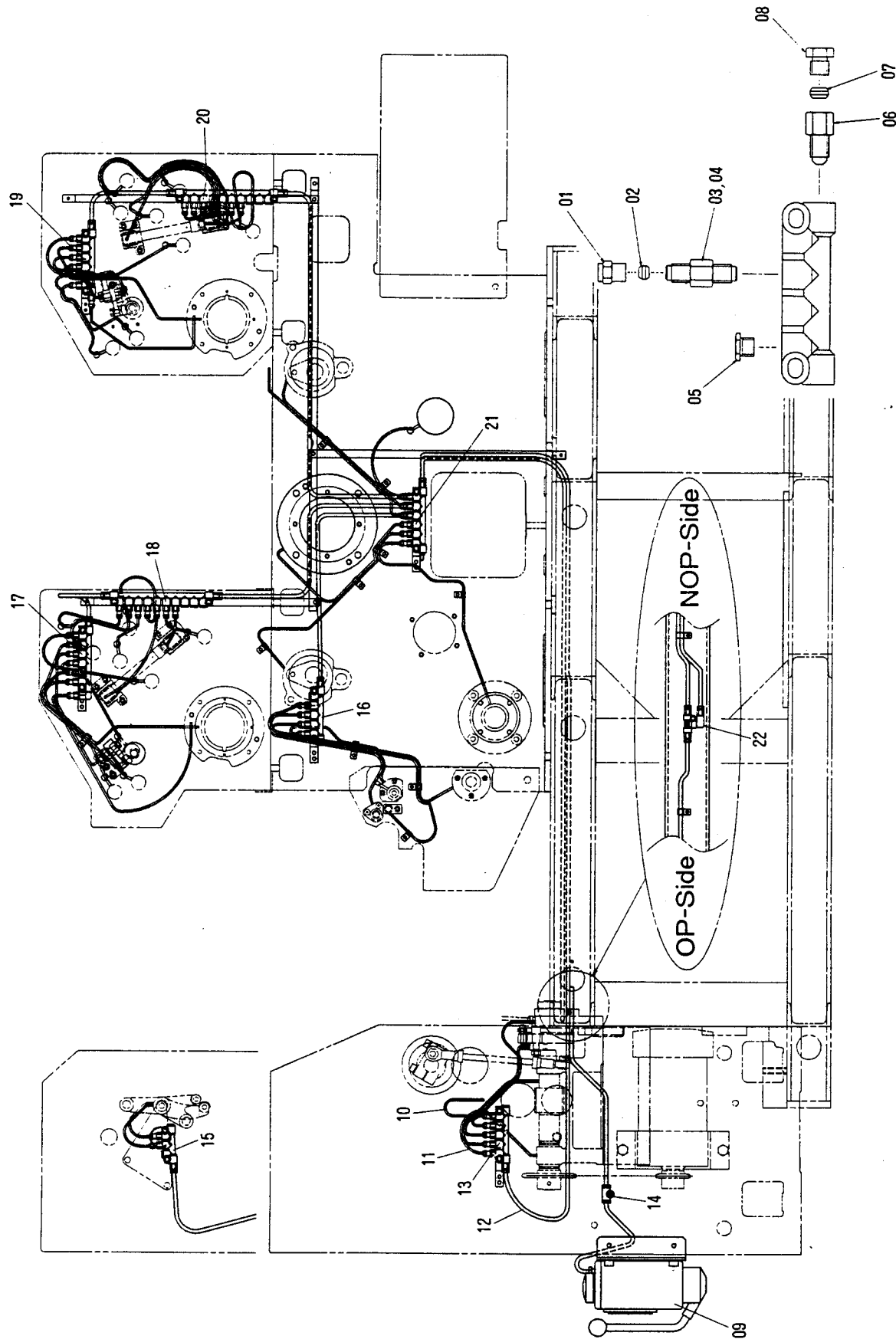


Oil Piping
(C48, C48L, C48SF, C48L-SF) (NOP-Side)

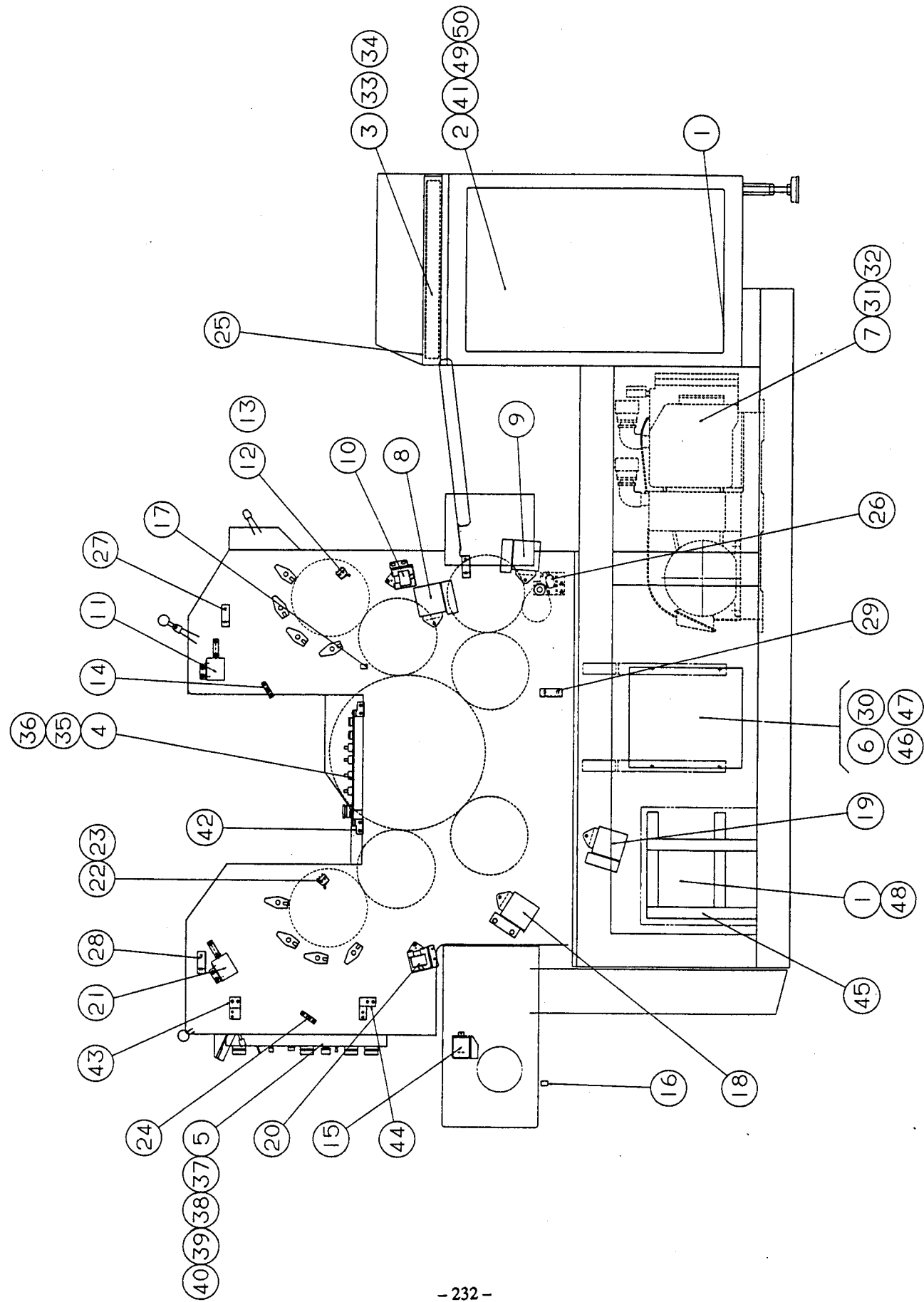
INDEX No.	Parts No.	Description (Remarks)	Unit Per Assy							
			C48	C48L	C48SF	-SF C48L	C248E	C248L	-SF C248E	-SF C248L
01	5805-05026	Plug (PAN 3.2)	25	25	23	23	0	0	0	0
02	5805-05028	Sleeve (PB 3.2)	25	25	23	23	0	0	0	0
03	5805-05023	Nipple (PSS0) for Hose (3.2φ Nylon)	23	23	21	21	0	0	0	0
04	5805-05022	Nipple (PSS00) for Pipe (3.2φ Copper)	2	2	2	2	0	0	0	0
05	D-140-18	Plug (PG8)	9	9	7	7	0	0	0	0
06	5805-05029	Nipple (PD110)	9	9	8	8	0	0	0	0
07	5805-05027	Sleeve (PB6)	11	11	10	10	0	0	0	0
08	D-140-13	Plug (PA6)	11	11	10	10	0	0	0	0
09	5805-05001	Pump	1	1	1	1	0	0	0	0
10	7205-05046	Pipe (Copper) (3.2φ × 1φ × 500 l)	-	-	-	-	0	0	0	0
11	7205-05047	Hose (Nylon) (3.2φ × 1φ × 1000 l)	-	-	-	-	0	0	0	0
12	7205-05048	Hose (Nylon) (6φ × 4φ × 2000 l)	-	-	-	-	0	0	0	0
13	7205-05044A	Oil Pipe Joint Assy	1	1	0	0	0	0	0	0
14	7205-05011A	Oil Pipe Joint Assy	1	1	1	1	0	0	0	0
15	7205-05045A	Oil Pipe Joint Assy	1	1	1	1	0	0	0	0
16	7205-05040A	Oil Pipe Joint Assy	1	1	1	1	0	0	0	0
17	7205-05039A	Oil Pipe Joint Assy	1	1	1	1	0	0	0	0
18	7205-05017A	Oil Pipe Joint Assy	1	1	1	1	0	0	0	0
19	7205-05013A	Oil Pipe Joint Assy	1	1	1	1	0	0	0	0



INDEX No.	Parts No.	Description (Remarks)	Unit Per Assy							
			C48	C48L	C48SF	-SF C48L	C248E	C248L	-SF C248E	-SF C248L
01	5805-05026	Plug (PAN 3.2)	0	0	0	0	46	46	43	43
02	5805-05028	Sleeve (PB 3.2)	0	0	0	0	46	46	45	45
03	5805-05023	Nipple (PSS0) for Hose (3.2φ Nylon)	0	0	0	0	35	35	33	33
04	5805-05022	Nipple (PSS00) for Pipe (3.2φ Copper)	0	0	0	0	12	12	10	10
05	D-140-18	Plug (PG8)	0	0	0	0	14	14	14	14
06	5805-05029	Nipple (PD110)	0	0	0	0	13	13	12	12
07	5805-05027	Sleeve (PB6)	0	0	0	0	13	13	12	12
08	D-140-13	Plug (PA6)	0	0	0	0	8	8	7	7
09	7205-05046	Pipe (Copper) (3.2φ × 1φ × 500 l)	0	0	0	0	-	-	-	-
10	7205-05047	Hose (Nylon) (3.2φ × 1φ × 1000 l)	0	0	0	0	-	-	-	-
11	7205-05048	Hose (Nylon) (6φ × 4φ × 2000 l)	0	0	0	0	-	-	-	-
12	7205-05020A	Oil Pipe Joint Assy	0	0	0	0	1	1	0	0
13	7205-05026A	Oil Pipe Joint Assy	0	0	0	0	1	1	1	1
14	7205-05021A	Oil Pipe Joint Assy	0	0	0	0	1	1	1	1
15	7205-05023A	Oil Pipe Joint Assy	0	0	0	0	1	1	1	1
16	7205-05025A	Oil Pipe Joint Assy	0	0	0	0	1	1	1	1
17	7205-05024A	Oil Pipe Joint Assy	0	0	0	0	1	1	1	1
18	7205-05022A	Oil Pipe Joint Assy	0	0	0	0	1	1	1	1

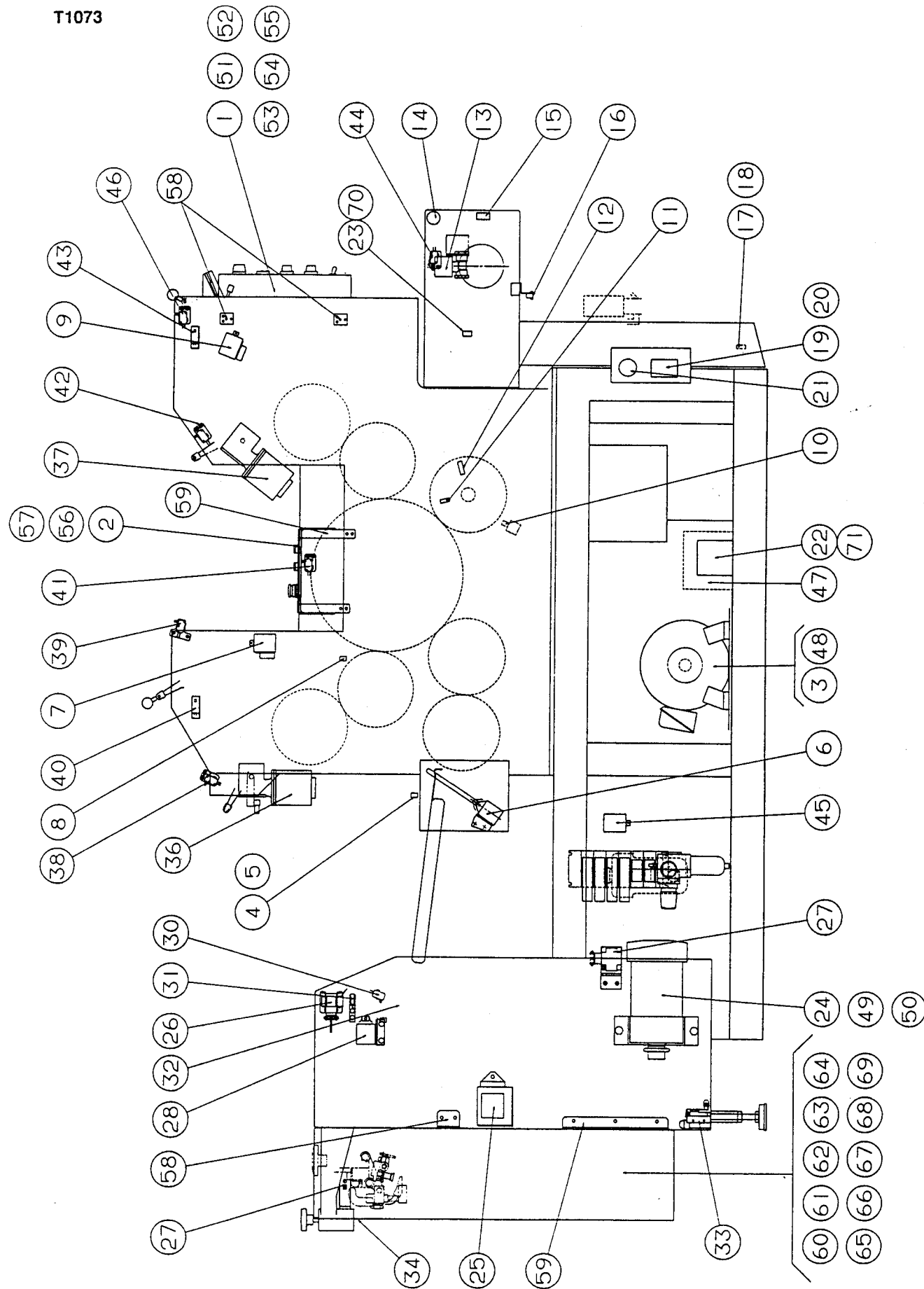


INDEX No.	Parts No.	Description (Remarks)	Unit Per Assy							
			C48	C48L	C48SF	-SF C48L	C248E	C248L	-SF C248E	-SF C248L
01	5805-05026	Plug (PAN 3.2)	0	0	0	0	40	40	43	43
02	5805-05028	Sleeve (PB 3.2)	0	0	0	0	42	42	44	44
03	5805-05023	Nipple (PSS0) for Hose (3.2φ Nylon)	0	0	0	0	37	37	39	39
04	5805-05022	Nipple (PSS00) for Pipe (3.2φ Copper)	0	0	0	0	3	3	3	3
05	D-140-18	Plug (PG8)	0	0	0	0	11	11	10	10
06	5805-05029	Nipple (PD110)	0	0	0	0	17	17	16	16
07	5805-05027	Sleeve (PB6)	0	0	0	0	17	17	17	17
08	D-140-13	Plug (PA6)	0	0	0	0	18	18	18	18
09	5805-05001	Pump	0	0	0	0	1	1	1	1
10	7205-05046	Pipe (Copper) (3.2φ × 1φ × 500 l)	0	0	0	0	-	-	-	-
11	7205-05047	Hose (Nylon) (3.2φ × 1φ × 1000 l)	0	0	0	0	-	-	-	-
12	7205-05048	Hose (Nylon) (6φ × 4φ × 2000 l)	0	0	0	0	-	-	-	-
13	7205-05044A	Oil Pipe Joint Assy	0	0	0	0	0	0	1	1
14	7205-05011A	Oil Pipe Joint Assy	0	0	0	0	1	1	1	1
15	7205-05045A	Oil Pipe Joint Assy	0	0	0	0	1	1	0	0
16	7205-05012A	Oil Pipe Joint Assy	0	0	0	0	1	1	1	1
17	7205-05016A	Oil Pipe Joint Assy	0	0	0	0	1	1	1	1
18	7205-05014A	Oil Pipe Joint Assy	0	0	0	0	1	1	1	1
19	7205-05013A	Oil Pipe Joint Assy	0	0	0	0	1	1	1	1
20	7205-05017A	Oil Pipe Joint Assy	0	0	0	0	1	1	1	1
21	7205-05018A	Oil Pipe Joint Assy	0	0	0	0	1	1	1	1
22	7205-05042A	Oil Pipe Joint Assy	0	0	0	0	1	1	1	1



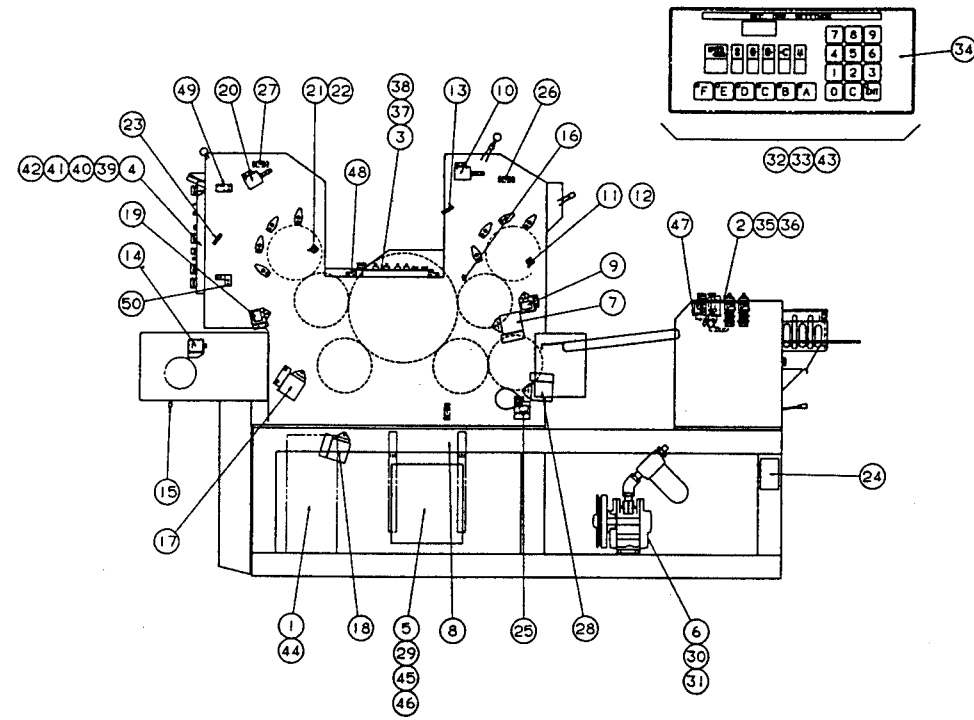
Arrangement For Electrical Component
(C248E-SF, C248L-SF) (OP-Side)

INDEX No.	Parts No.	Description (Remarks)	Unit Per Assy							
			C48	C48L	C48SF	-SF C48L	C248E	C248L	-SF C248E	-SF C248L
01	E53-72-1A-3	Control Box Old (200 - 240V)	0	0	0	0	0	0	1	1
02	E46-05-1A-3	Control Panel (200V)	0	0	0	0	0	0	1	0
03	E51-81-2A-3	Operation Panel Old (Feeder Side) (Japanese)	0	0	0	0	0	0	1	1
04	E51-82-1A-3	Operation Panel Old (Press Side) (Japanese)	0	0	0	0	0	0	1	1
05	E51-83-2A-3	Operation Panel Old (Delivery Side) (Japanese)	0	0	0	0	0	0	1	0
06	E46-01-01-3	Inverter (T200V, T220V)	0	0	0	0	0	0	1	1
07	E01-128-3	Pump Assy (T200V, T220V)	0	0	0	0	0	0	1	1
08	E09-32-3	Solenoid (P-B) (1P)	0	0	0	0	0	0	1	1
09	E09-32-3	Solenoid (B-1) (1P)	0	0	0	0	0	0	1	1
10	E09-02-05-3	Solenoid (Single Lever) (1P)	0	0	0	0	0	0	1	1
11	E09-25-3	Solenoid (Dampening Ductor) (1P)	0	0	0	0	0	0	1	1
12	E10-52-3	Limit Switch (Dampening Water Form Roller Position) (1P)	0	0	0	0	0	0	1	1
13	E10-52-3	Limit Switch (Ink Form Roller Position) (1P)	0	0	0	0	0	0	1	1
14	E26-75-3	Sensor (1P)	0	0	0	0	0	0	1	1
15	E09-25-3	Solenoid (Delivery Table)	0	0	0	0	0	0	1	1
16	E26-84-02-3	Receptacle Sensor (Delivery Table)	0	0	0	0	0	0	1	1
17	E26-73-3	Sensor (Blan-JAM)	0	0	0	0	0	0	1	1
18	E09-32-3	Solenoid (P-B) (2P)	0	0	0	0	0	0	1	1
19	E09-32-3	Solenoid (B-1) (2P)	0	0	0	0	0	0	1	1
20	E09-02-05-3	Solenoid (Single Lever) (2P)	0	0	0	0	0	0	1	1
21	E09-25-3	Solenoid (Dampening Ductor) (2P)	0	0	0	0	0	0	1	1
22	E10-52-3	Limit Switch (Dampening Form Roller Position) (2P)	0	0	0	0	0	0	1	1
23	E10-52-3	Limit Switch (Ink Form Roller Position) (2P)	0	0	0	0	0	0	1	1
24	E26-75-3	Sensor (2P)	0	0	0	0	0	0	1	1
25	E10-46-01-3	Limit Switch (Double Sheet Detector)	0	0	0	0	0	0	1	1
26	E10-29-3	Limit Switch (Handle Cover)	0	0	0	0	0	0	1	1
27	E10-30-3	Limit Switch (OP-S Cover) (1P)	0	0	0	0	0	0	1	1
28	E10-30-3	Limit Switch (OP-S Cover) (2P)	0	0	0	0	0	0	1	1
29	E10-30-3	Limit Switch (OP-S Center Cover)	0	0	0	0	0	0	1	1
30	E46-04-3	Inverter (T380V, T415V)	0	0	0	0	0	0	1	1
31	E01-91-01-3	Pump Assy (T380V)	0	0	0	0	0	0	1	1
32	E01-95-01-3	Pump Assy (T415V)	0	0	0	0	0	0	1	1
33	E51-81-2B-3	Operation Panel Old (Feeder Side) (English)	0	0	0	0	0	0	1	1
34	E51-81-2C-3	Operation Panel New (Feeder Side) (Symbol)	0	0	0	0	0	0	1	1
35	E51-82-1B-3	Operation Panel Old (Press Side) (English)	0	0	0	0	0	0	1	1
36	E51-82-1C-3	Operation Panel New (Press Side) (Symbol)	0	0	0	0	0	0	1	1
37	E51-83-2B-3	Operation Panel Old (Delivery Side) (English)	0	0	0	0	0	0	1	0
38	E51-83-4A-3	Operation Panel Old (Delivery Side) (Japanese)	0	0	0	0	0	0	0	1
39	E51-83-4B-3	Operation Panel Old (Delivery Side) (English)	0	0	0	0	0	0	0	1
40	E51-83-2D-3	Operation Panel New (Delivery Side) (Symbol)	0	0	0	0	0	0	1	1
41	E46-05-1B-3	Control panel (200V)	0	0	0	0	0	0	0	1
42	7205-18014	Operation Panel Bracket (Press Side)	0	0	0	0	0	0	1	1
43	7205-18010	Operation Panel Bracket (Delivery Side)	0	0	0	0	0	0	1	1
44	7205-18011	Operation Panel Bracket (Delivery Side)	0	0	0	0	0	0	1	1
45	7205-18005	Bracket	0	0	0	0	0	0	1	1
46	E46-28-02-3	Inverter (T200V / T220V)	0	0	0	0	0	0	1	1
47	E46-28-05-3	Inverter (T380V / T415V)	0	0	0	0	0	0	1	1
48	E53-72-3A-3	Control Box Old (380 / 415V)	0	0	0	0	0	0	1	1
49	E46-05-2A-3	Control Panel (380V)	0	0	0	0	0	0	1	0
50	E46-05-2B-3	Control Panel (380V)	0	0	0	0	0	0	0	1



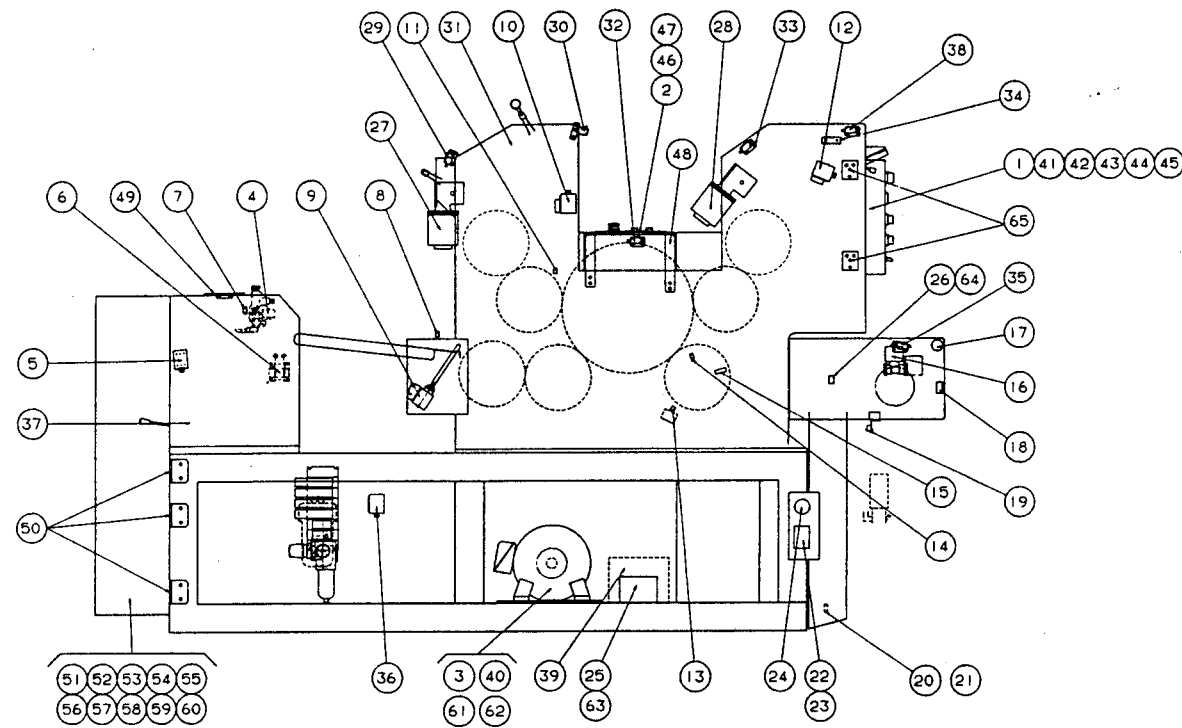
Arrangement For Electrical Component
(C248E-SF, C248L-SF) (NOP-Side)

INDEX No.	Parts No.	Description (Remarks)	Unit Per Assy							
			C48	C48L	C48SF	C48L ^{SF}	C248E	C248L	C248E ^{SF}	C248L ^{SF}
01	E51-84-2A-3	Operation Panel Old (Delivery Side) (Japanese)	0	0	0	0	0	0	1	1
02	E51-85-1A-3	Operation Panel Old (Inching) (Japanese)	0	0	0	0	0	0	1	1
03	E01-100-3	Main Motor (T200V, T220V)	0	0	0	0	0	0	1	1
04	E26-68-3	Emitting Lamp (Double Sheet Detector)	0	0	0	0	0	0	1	1
05	E26-69-3	Receptacle Sensor (Double Sheet Detector)	0	0	0	0	0	0	1	1
06	E09-29-3	Solenoid (Paper JAM)	0	0	0	0	0	0	1	1
07	E09-25-3	Solenoid (Ink Ductor) (1P)	0	0	0	0	0	0	1	1
08	E26-72-3	Sensor (Blam-JAM) (1P)	0	0	0	0	0	0	1	1
09	E09-25-3	Solenoid (Ink Ductor) (2P)	0	0	0	0	0	0	1	1
10	E26-74-3	Sensor (Blam-JAM) (2P)	0	0	0	0	0	0	1	1
11	E26-75-3	Sensor	0	0	0	0	0	0	1	1
12	E26-83-3	Pulse Sensor	0	0	0	0	0	0	1	1
13	E26-42-01-3	Spray Valve	0	0	0	0	0	0	1	1
14	E24-11-1A-3	Eluorescent Light	0	0	0	0	0	0	1	1
15	E10-38-3	Limit Switch (CD JAM)	0	0	0	0	0	0	1	1
16	E26-84-01-3	Emitting Lamp (Delivery Table)	0	0	0	0	0	0	1	1
17	E10-12-3	Lead Switch (Delivery Table Bottom)	0	0	0	0	0	0	1	1
18	E10-14-3	Magnet (Delivery Table Bottom)	0	0	0	0	0	0	1	1
19	E20-10-3	Stabilizer (50 HZ)	0	0	0	0	0	0	1	1
20	E20-11-3	Stabilizer (60 HZ)	0	0	0	0	0	0	1	1
21	E03-34-3	Buzzer	0	0	0	0	0	0	1	1
22	E11-06-05-3	Transformer Old (Static Eleminator)	0	0	0	0	0	0	1	1
23	E11-02-01-7	Static Eleminator Bar	0	0	0	0	0	0	1	1
24	E-101-38	Motor (Feeder Table Up-Down) (T200V, T220V)	0	0	0	0	0	0	1	1
25	E-101-44	Solenoid (Clutch)	0	0	0	0	0	0	1	1
26	E-101-48	Solenoid (Feed)	0	0	0	0	0	0	1	1
27	E-101-48	Solenoid (Feeder Table Up)	0	0	0	0	0	0	1	1
28	E09-52-3	Solenoid (Clutch Paul Release)	0	0	0	0	0	0	1	1
29	E26-75-3	Sensor (Feeder Table)	0	0	0	0	0	0	1	1
30	E10-29-3	Limit Switch (Feeder T Gable Position)	0	0	0	0	0	0	1	1
31	E10-29-3	Limit Switch (Clutch Paul Position)	0	0	0	0	0	0	1	1
32	E-101-21	Limit Switch (Feeder Table Position)	0	0	0	0	0	0	1	1
33	E01-20-3	Limit Switch (Feeder Table Position)	0	0	0	0	0	0	1	1
34	E10-38-3	Limit Switch (Feeder Head Safety)	0	0	0	0	0	0	1	1
35	E26-75-3	Sensor (Double Sheet Detector Timint)	0	0	0	0	0	0	1	1
36	E01-120-3	Motor (Dampening Fountain Roller Drive) (1P)	0	0	0	0	0	0	1	1
37	E01-120-3	Motor (Dampening Fountain Roller Drive) (2P)	0	0	0	0	0	0	1	1
38	E10-29-3	Limit Switch (Safety Cover) (1P)	0	0	0	0	0	0	1	1
39	E10-29-3	Limit Switch (Safety Cover) (2P)	0	0	0	0	0	0	1	1
40	E10-30-3	Limit Switch (Safety Cover) (1P) (NOP-S)	0	0	0	0	0	0	1	1
41	E10-29-3	Limit Switch (Safety Cover)	0	0	0	0	0	0	1	1
42	E10-29-3	Limit Switch (Safety Cover) (2P)	0	0	0	0	0	0	1	1
43	E10-30-3	Limit Switch (Safety Cover) (2p) (NOP-S)	0	0	0	0	0	0	1	1
44	E10-29-3	Limit Switch (Safety Cover) (CD)	0	0	0	0	0	0	1	1
45	E09-25-3	Solenoid (Air Valve)	0	0	0	0	0	0	1	1
46	E10-29-3	Limit Switch (Safety Cover) (2P)	0	0	0	0	0	0	1	1
47	E53-71-3	Transformer (T380V, T415V)	0	0	0	0	0	0	1	1
48	E01-125-3	Main Motor (T380V, T415V)	0	0	0	0	0	0	1	1
49	E01-92-3	Motor (Feeder Table Up-Down) (T380V)	0	0	0	0	0	0	1	1
50	E01-96-3	Motor (Feeder Table Up-Down) (T415V)	0	0	0	0	0	0	1	1
51	E51-84-2B-3	Operation Panel Old (Delivery Side) (English)	0	0	0	0	0	0	1	0
52	E51-84-4A-3	Operation Panel Old (Delivery Side - B. C) (Japanese)	0	0	0	0	0	0	(1)	1
53	E51-84-4B-3	Operation Panel Old (Delivery Side - B. C) (English)	0	0	0	0	0	0	(1)	1
54	E51-84-2D-3	Operation Panel New (Delivery Side) (Symbol)	0	0	0	0	0	0	1	0
55	E51-84-4D-3	Operation Panel New (Delivery Side - B. C) (Symbol)	0	0	0	0	0	0	(1)	1
56	E51-85-1B-3	Operation Panel Old (Inching) (English)	0	0	0	0	0	0	1	1
57	E51-85-1C-3	Operation Panel New (Inching) (Symbol)	0	0	0	0	0	0	1	1
58	7205-18038	Bracket	0	0	0	0	0	0	1	1
59	7205-18039	Bracket	0	0	0	0	0	0	1	1
60	E46-05-1E-3	Control Box New (T200V - B. C)	0	0	0	0	0	0	1	0
61	E46-05-1F-3	Control Box New (T200V - B. C)	0	0	0	0	0	0	0	1
62	E46-05-2E-3	Control Box New (T220V - B. C)	0	0	0	0	0	0	1	0
63	E46-05-2F-3	Control Box New (T220V - B. C)	0	0	0	0	0	0	0	1
64	E46-05-3E-3	Control Box New (T380V / 415V - B. C)	0	0	0	0	0	0	1	0
65	E46-05-3F-3	Control Box New (T380V / 415V - B. C)	0	0	0	0	0	0	0	1
66	E46-05-4E-3	Control Box New (T200V)	0	0	0	0	0	0	1	0
67	E46-05-5E-3	Control Box New (T220V)	0	0	0	0	0	0	1	0
68	E46-05-4F-3	Control Box New (T220V) (EX Type)	0	0	0	0	0	0	0	0
69	E46-05-6E-3	Control Box New (T380V / 415V)	0	0	0	0	0	0	1	0
70	E11-14-04-3	Static Eleminator Bar New	0	0	0	0	0	0	1	1
71	E11-13-01-3	Transformer New (Static Eleminator)	0	0	0	0	0	0	1	1

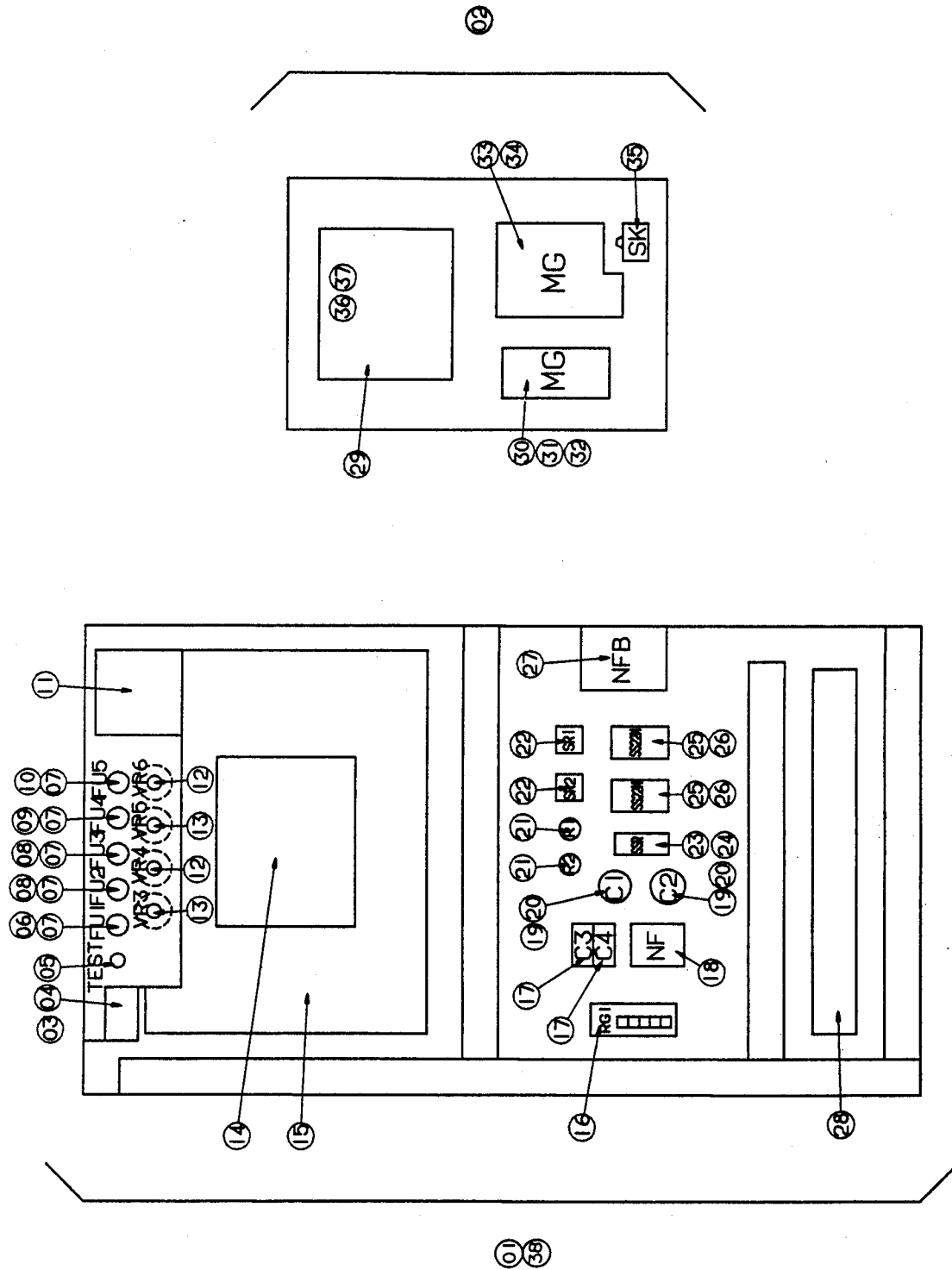


Arrangement For Electrical Component
(C248E, C248L) (OP-Side)

INDEX No.	Parts No.	Description (Remarks)	Unit Per Assy							
			C48	C48L	C48SF	-SF C48L	C248E	C248L	-SF C248E	-SF C248L
01	E46-04-1A-3	Control Box Old	0	0	0	0	1	0	0	0
02	E51-81-1A-3	Operation Panel Old (Feeder Side) (Japanese)	0	0	0	0	1	1	0	0
03	E51-82-1A-3	Operation Panel Old (Press Side)	0	0	0	0	1	1	0	0
04	E51-83-1A-3	Operation Panel Old (Delivery Side) (OP-S)	0	0	0	0	1	1	0	0
05	E46-01-01-3	Inverter Old (T200V, T220V)	0	0	0	0	1	1	0	0
06	E01-99-3	Dump Motor (T200V, T220V)	0	0	0	0	1	1	0	0
07	E09-32-3	Solenoid (P-B) (1P)	0	0	0	0	1	1	0	0
08	E09-32-3	Solenoid (B-I) (1P)	0	0	0	0	1	1	0	0
09	E09-51-3	Solenoid (Single Lever) (1P)	0	0	0	0	1	1	0	0
10	E09-25-3	Solenoid (Dampening Ductor Roller) (1P)	0	0	0	0	1	1	0	0
11	E10-52-3	Limit Switch (Dampening Form Roller Position) (1P)	0	0	0	0	1	1	0	0
12	E10-52-3	Limit Switch (Ink Form Roller Position) (1P)	0	0	0	0	1	1	0	0
13	E25-75-3	Sensor (1P)	0	0	0	0	1	1	0	0
14	E09-25-3	Solenoid (Delivery Table Doun)	0	0	0	0	1	1	0	0
15	E26-84-02-3	Receptacle Sensor (Delivery Table)	0	0	0	0	1	1	0	0
16	E26-73-3	Receptacle Sensor (Blam-JAM) (1P)	0	0	0	0	1	1	0	0
17	E09-32-3	Solenoid (P-B) (2P)	0	0	0	0	1	1	0	0
18	E09-32-3	Solenoid (B-I) (2P)	0	0	0	0	1	1	0	0
19	E09-51-3	Solenoid (Single Lever) (2P)	0	0	0	0	1	1	0	0
20	E09-25-3	Solenoid (Dampening Ductor Roller) (2P)	0	0	0	0	1	1	0	0
21	E10-52-3	Limit Switch (Dampening Form Roller Position) (2P)	0	0	0	0	1	1	0	0
22	E10-52-3	Limit Switch (Ink Form Roller Position) (2P)	0	0	0	0	1	1	0	0
23	E25-75-3	Sensor (2P)	0	0	0	0	1	1	0	0
24	E53-58-3	Power Switch	0	0	0	0	1	1	0	0
25	E10-29-3	Limit Switch (Handle Cover)	0	0	0	0	1	1	0	0
26	E10-30-3	Limit Switch (1P) (OP-S)	0	0	0	0	1	1	0	0
27	E10-30-3	Limit Switch (2P) (OP-S)	0	0	0	0	1	1	0	0
28	E10-30-3	Limit Switch (OP-S Center Cover)	0	0	0	0	1	1	0	0
29	E46-04-3	Inverter Old (T380V, T415V)	0	0	0	0	1	1	0	0
30	E01-68-3	Pump Motor (T380V)	0	0	0	0	1	1	0	0
31	E01-103-3	Pump Motor (T415V)	0	0	0	0	1	1	0	0
32	E51-86-1A-3	Operation Panel Assy (Japanese)	0	0	0	0	1	1	0	0
33	E51-86-1B-3	Operation Panel Assy (English)	0	0	0	0	1	1	0	0
34	E42-12-05-3	Circuit Board	0	0	0	0	1	1	0	0
35	E51-81-1B-3	Operation Panel Old (Feeder Side) (English)	0	0	0	0	1	1	0	0
36	E51-81-1C-3	Operation Panel New (Feeder Side) (Symbol)	0	0	0	0	1	1	0	0
37	E51-82-1B-3	Operation Panel Old (Press Side) (English)	0	0	0	0	1	1	0	0
38	E51-82-2C-3	Operation Panel New (Press Side) (Symbol)	0	0	0	0	1	1	0	0
39	E51-83-1B-3	Operation Panel Old (Delivery Side) (English)	0	0	0	0	1	0	0	0
40	E51-83-3A-3	Operation Panel Old (Delivery Side) (Japanese)	0	0	0	0	0	1	0	0
41	E51-83-3B-3	Operation Panel Old (Delivery Side) (English)	0	0	0	0	0	1	0	0
42	E51-83-1D-3	Operation Panel New (Delivery Side) (Symbol)	0	0	0	0	1	1	0	0
43	E51-86-1C-3	Operation Panel Assy New (Symbol)	0	0	0	0	1	1	0	0
44	E46-04-1B-3	Control Box Old	0	0	0	0	0	1	0	0
45	E46-28-02-3	Inverter New (200VAC)	0	0	0	0	1	1	0	0
46	E46-28-05-3	Inverter New (380/415VAC)	0	0	0	0	1	1	0	0
47	7205-18016	Bracket	0	0	0	0	1	1	0	0
48	7205-18014	Bracket	0	0	0	0	1	1	0	0
49	7205-18010	Bracket	0	0	0	0	1	1	0	0
50	7205-18011	Bracket	0	0	0	0	1	1	0	0

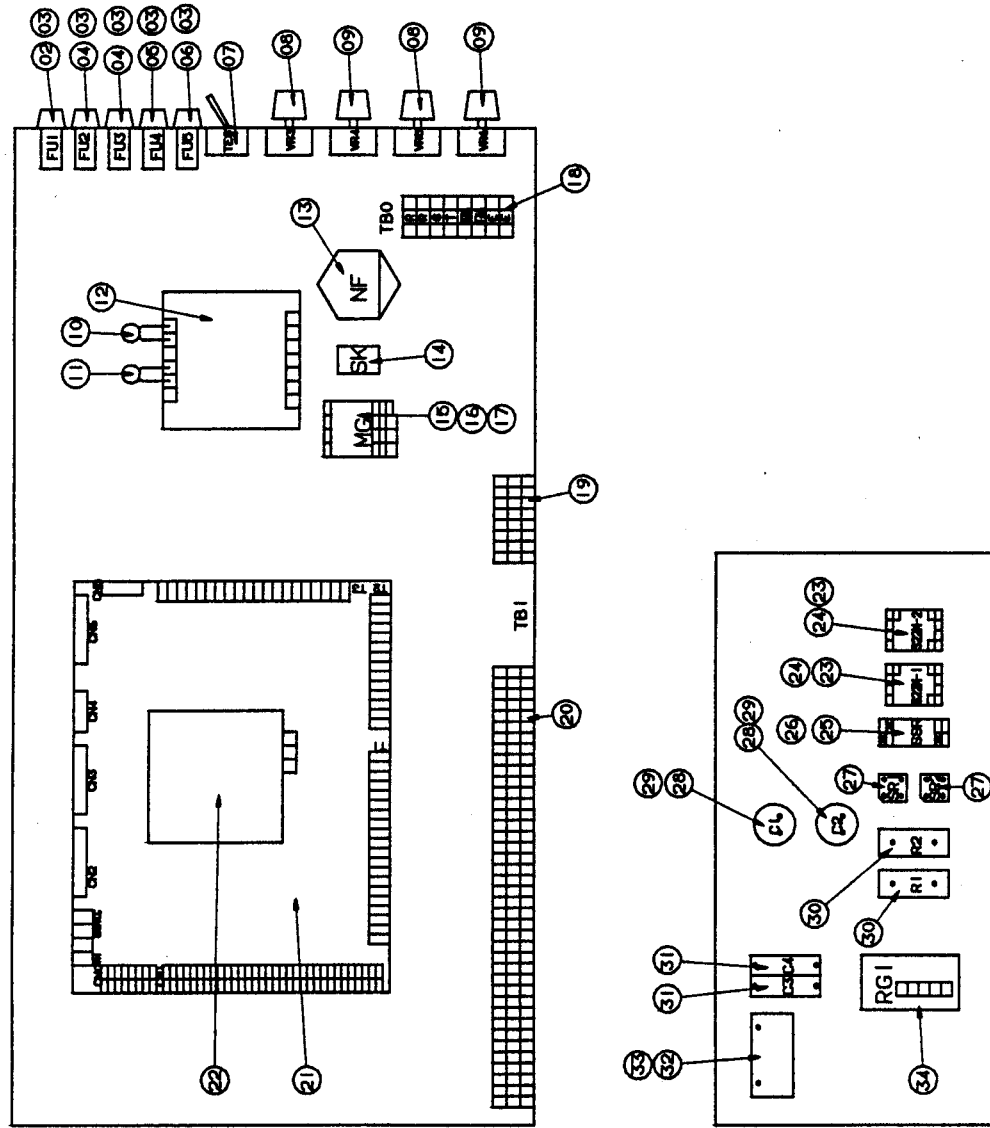


INDEX No.	Parts No.	Description (Remarks)	Unit Per Assy							
			C48	C48L	C48SF	-SF C48L	C248E	C248L	-SF C248E	-SF C248L
01	E51-84-1A-3	Operation Panel (Delivery Side) (NOP-S)	0	0	0	0	1	1	0	0
02	E51-85-1A-3	Operation Panel (Old) (Inching) (Japanese)	0	0	0	0	1	1	0	0
03	E01-100-3	Main Motor (Old) (T200V, T220V)	0	0	0	0	1	1	0	0
04	E10-02-3	Limit Switch (Double Sheet Detection)	0	0	0	0	1	1	0	0
05	E09-25-3	Solenoid (Feed)	0	0	0	0	1	1	0	0
06	E09-51-3	Solenoid (Double Sheet Gate)	0	0	0	0	1	1	0	0
07	E26-80-3	Sensor (Paper Detector) (Feeder Side)	0	0	0	0	1	1	0	0
08	E26-80-3	Sensor (Paper Detector) (Conveyh Table)	0	0	0	0	1	1	0	0
09	E09-29-3	Solenoid (Paper JAM)	0	0	0	0	1	1	0	0
10	E09-25-3	Solenoid (Ink Ductor) (1P)	0	0	0	0	1	1	0	0
11	E26-72-3	Sensor (Blan-JAM) (1P)	0	0	0	0	1	1	0	0
12	E09-25-3	Solenoid (Ink Ductor) (2P)	0	0	0	0	1	1	0	0
13	E26-74-3	Sensor (Blan-JAM) (2P)	0	0	0	0	1	1	0	0
14	E26-75-3	Sensor	0	0	0	0	1	1	0	0
15	E26-83-3	Pulse Sensor	0	0	0	0	1	1	0	0
16	E09-42-02-3	Spray Valve	0	0	0	0	1	1	0	0
17	E24-11-1A-3	Fluoresent Lamp	0	0	0	0	1	1	0	0
18	E10-38-3	Limit Switch (CD JAM)	0	0	0	0	1	1	0	0
19	E26-84-01-3	Emitting Lamp (Delivery Table)	0	0	0	0	1	1	0	0
20	E10-12-3	Lead Switch (Delivery Table Bottom)	0	0	0	0	1	1	0	0
21	E10-14-3	Magnet	0	0	0	0	1	1	0	0
22	E20-10-3	Stabilizer (50 HZ)	0	0	0	0	1	1	0	0
23	E20-11-3	Stabilizer (60 HZ)	0	0	0	0	1	1	0	0
24	E03-34-3	Buzzer	0	0	0	0	1	1	0	0
25	E11-01-05-3	Transformer (Old) (Static Eliminator)	0	0	0	0	1	1	0	0
26	E11-02-01-7	Static Eliminator Bar (Old)	0	0	0	0	1	1	0	0
27	E01-120-3	Motor (Dampening Fountain Roller) (1P)	0	0	0	0	1	1	0	0
28	E01-120-3	Motor (Dampening Fountain Roller) (2P)	0	0	0	0	1	1	0	0
29	E10-29-3	Limit Switch (Safety Cover) (1P)	0	0	0	0	1	1	0	0
30	E10-29-3	Limit Switch (Safety Cover) (1P)	0	0	0	0	1	1	0	0
31	E10-30-3	Limit Switch (Safety Cover) (1P) (NOP-S)	0	0	0	0	1	1	0	0
32	E10-29-3	Limit Switch (Safety Cover)	0	0	0	0	1	1	0	0
33	E10-29-3	Limit Switch (Safety Cover) (2P)	0	0	0	0	1	1	0	0
34	E10-30-3	Limit Switch (Safety Cover) (2P)	0	0	0	0	1	1	0	0
35	E10-29-3	Limit Switch (Safety) (CD)	0	0	0	0	1	1	0	0
36	E09-25-3	Solenoid (Air Valve)	0	0	0	0	1	1	0	0
37	E10-30-3	Limit Switch (Safety Cover) (NOP-S)	0	0	0	0	1	1	0	0
38	E09-29-3	Limit Switch (Safety Cover) (2P)	0	0	0	0	1	1	0	0
39	E53-71-3	Transformer (380V, T415V)	0	0	0	0	1	1	0	0
40	E01-125-3	Main Motor (Old) (T380V, T415V)	0	0	0	0	1	1	0	0
41	E51-84-1B-3	Operation Panel Old (Delivery Side) (English)	0	0	0	0	1	0	0	0
42	E51-84-3A-3	Operation Panel for B. C (Old) (Delivery Side) (Japanese)	0	0	0	0	(1)	1	0	0
43	E51-84-3B-3	Operation Panel for B. C (Old) (Delivery Side) (English)	0	0	0	0	(1)	1	0	0
44	E51-84-1D-3	Operation Panel (New) (Delivery Side) (Symbol)	0	0	0	0	1	0	0	0
45	E51-84-3D-3	Operation Panel for B. C (New) (Delivery Side) (Symbol)	0	0	0	0	(1)	1	0	0
46	E51-85-1B-3	Operation Panel (Old) (Inching) (English)	0	0	0	0	1	1	0	0
47	E51-85-1C-3	Operation Panel (New) (Inching) (Symbol)	0	0	0	0	1	1	0	0
48	7205-18015	Bracket	0	0	0	0	1	1	0	0
49	7205-18013	Bracket	0	0	0	0	(1)	(1)	0	0
50	7205-18040	Bracket	0	0	0	0	3	3	0	0
51	E46-04-1E-3	Control Box (T200V - B. C)	0	0	0	0	1	0	0	0
52	E46-04-1F-3	Control Box (T200V - B. C)	0	0	0	0	0	1	0	0
53	E46-04-2E-3	Control Box (T220V - B. C)	0	0	0	0	1	0	0	0
54	E46-04-2F-3	Control Box (T220V - B. C) (L Type, EX Type)	0	0	0	0	0	1	0	0
55	E46-04-3E-3	Control Box (T380/415V - B. C)	0	0	0	0	1	0	0	0
56	E46-04-3F-3	Control Box (T380/415V - B. C)	0	0	0	0	0	1	0	0
57	E46-04-4E-3	Control Box (T200V)	0	0	0	0	1	0	0	0
58	E46-04-5E-3	Control Box (T220V)	0	0	0	0	1	0	0	0
59	E46-04-4F-3	Control Box (T220V) (for EX Type)	0	0	0	0	0	0	0	0
60	E46-04-6E-3	Control Box (T380/415V)	0	0	0	0	1	0	0	0
61	E60-06-3	Main Motor (New) (200V)	0	0	0	0	1	1	0	0
62	E60-07-3	Main Motor (New) (380/415V)	0	0	0	0	1	1	0	0
63	E11-13-01-3	Transformer (New) (Static Eliminator)	0	0	0	0	1	1	0	0
64	E11-14-04-3	Static Eliminator Bar (New)	0	0	0	0	2	2	0	0



Control Box
(C248E-SF, C248L-SF)

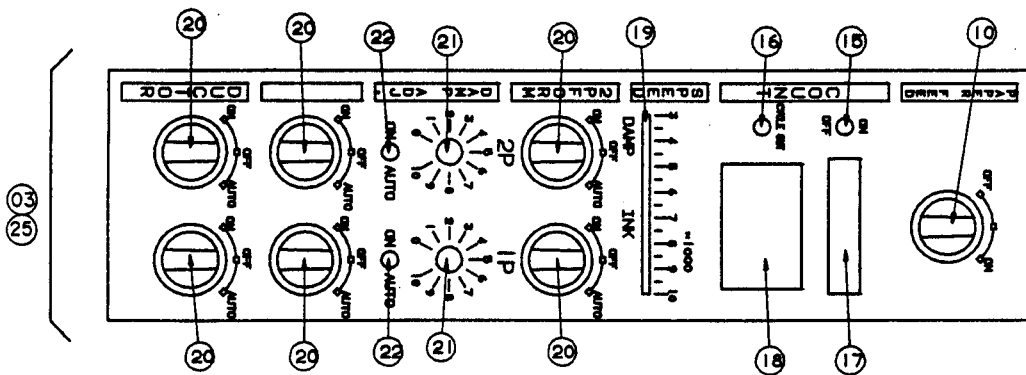
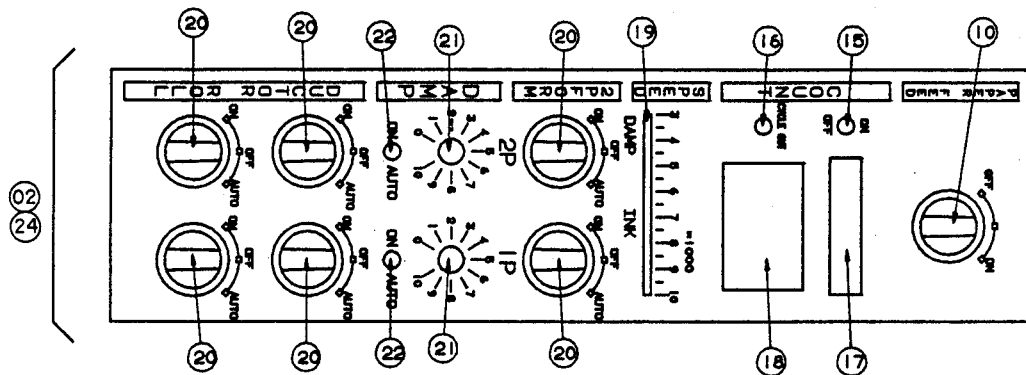
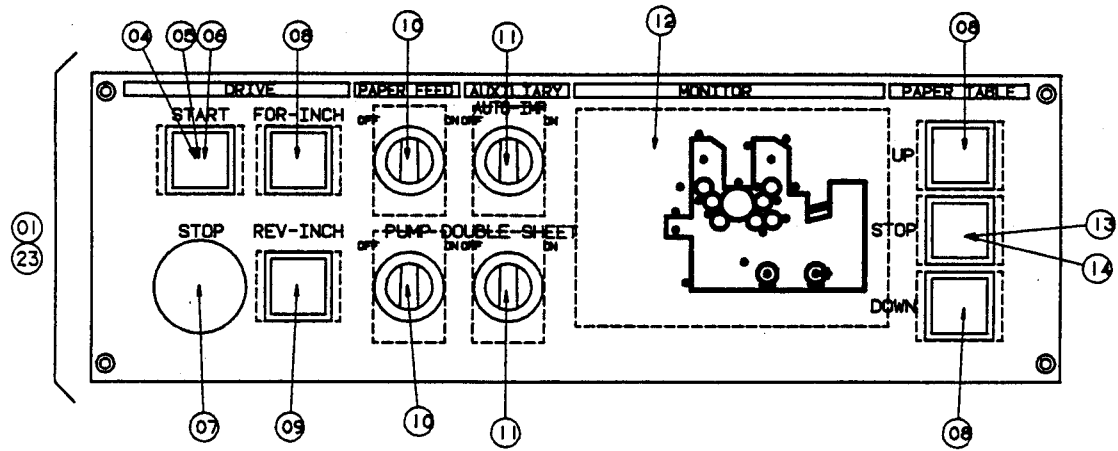
INDEX No.	Parts No.	Description (Remarks)	Unit Per Assy							
			C48	C48L	C48SF	C48L-SF	C248E	C248L	C248E-SF	C248L-SF
01	E46-05-1B-3	Control Box (for C248L-SF)	0	0	0	0	0	0	0	1
02	E53-72-1A-3	Control Box	0	0	0	0	0	0	1	1
03	E09-54-3	Magnetic Counter	0	0	0	0	0	0	1	1
04	E19-22-3	Diode	0	0	0	0	0	0	1	1
05	E45-02-14-3	Toggle Switch	0	0	0	0	0	0	1	1
06	E05-12-3	Glass Tubing Fuse (3A)	0	0	0	0	0	0	1	1
07	E05-41-3	Fuse Holder	0	0	0	0	0	0	5	5
08	E05-11-3	Glass Tubing Fuse (5A)	0	0	0	0	0	0	2	2
09	E05-13-3	Glass Tubing Fuse (2A)	0	0	0	0	0	0	1	1
10	E05-14-3	Glass Tubing Fuse (1A)	0	0	0	0	0	0	1	1
11	E26-70-01-3	Amplifier	0	0	0	0	0	0	1	1
12	E22-32-3	Volume	0	0	0	0	0	0	0	2
13	E22-31-3	Volume	0	0	0	0	0	0	0	2
14	E42-12-04-3	MPU Board	0	0	0	0	0	0	1	1
15	E42-12-03-3	I/O Board	0	0	0	0	0	0	1	1
16	E19-23-3	Switching Regulator (D. C. 5V)	0	0	0	0	0	0	1	1
17	E08-08-3	Capacitor	0	0	0	0	0	0	2	2
18	E21-22-3	Noise Filter	0	0	0	0	0	0	1	1
19	E21-13-3	Capacitor	0	0	0	0	0	0	2	2
20	E22-33-3	Resistance	0	0	0	0	0	0	2	2
21	E22-34-3	Resistance	0	0	0	0	0	0	2	2
22	E19-21-3	Rectifier	0	0	0	0	0	0	2	2
23	E15-23-3	SSR	0	0	0	0	0	0	1	1
24	E31-53-3	Socket	0	0	0	0	0	0	1	1
25	E18-71-3	Control Unit for Dampening Motor	0	0	0	0	0	0	2	2
26	E31-52-3	Socket	0	0	0	0	0	0	2	2
27	E02-15-3	Nofuse Breaker	0	0	0	0	0	0	1	1
28	E31-54-3	Terminal	0	0	0	0	0	0	1	1
29	E20-42-3	Transformer	0	0	0	0	0	0	1	1
30	E03-35-3	Magnet Switch (200V)	0	0	0	0	0	0	1	1
31	E03-36-3	Magnet Switch (380V)	0	0	0	0	0	0	1	1
32	E03-37-3	Magnet Switch (415V)	0	0	0	0	0	0	1	1
33	E03-39-3	Magnet Switch (200V)	0	0	0	0	0	0	1	1
34	E03-38-3	Magnet Switch (380/415V)	0	0	0	0	0	0	1	1
35	E21-23-3	Surge Killer	0	0	0	0	0	0	1	1
36	E21-21-3	Varistor	0	0	0	0	0	0	1	1
37	E21-20-3	Varistor	0	0	0	0	0	0	1	1
38	E46-05-1A-3	Control Box (for C248E-SF)	0	0	0	0	0	0	1	0



⑥⑧

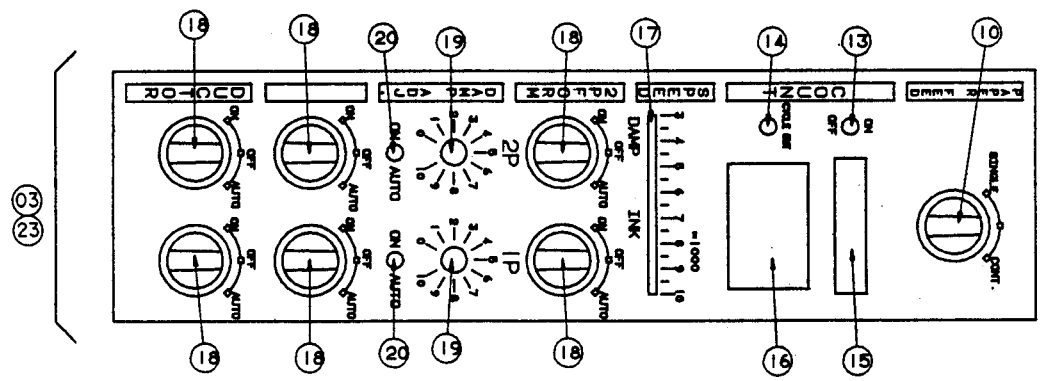
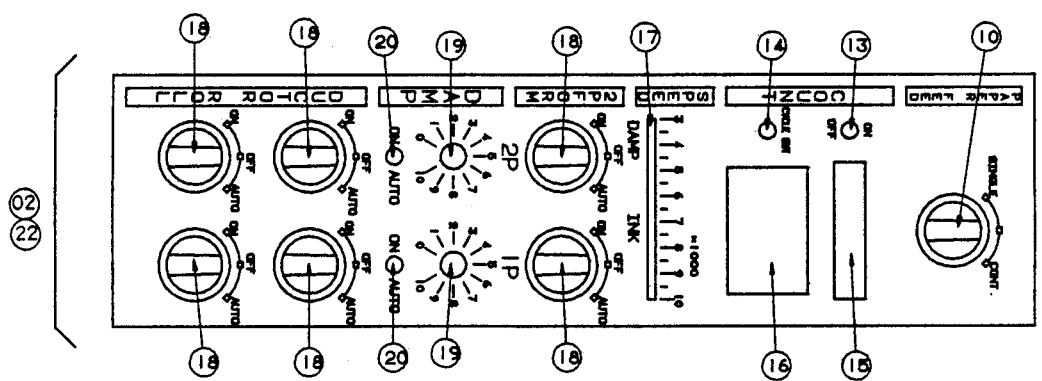
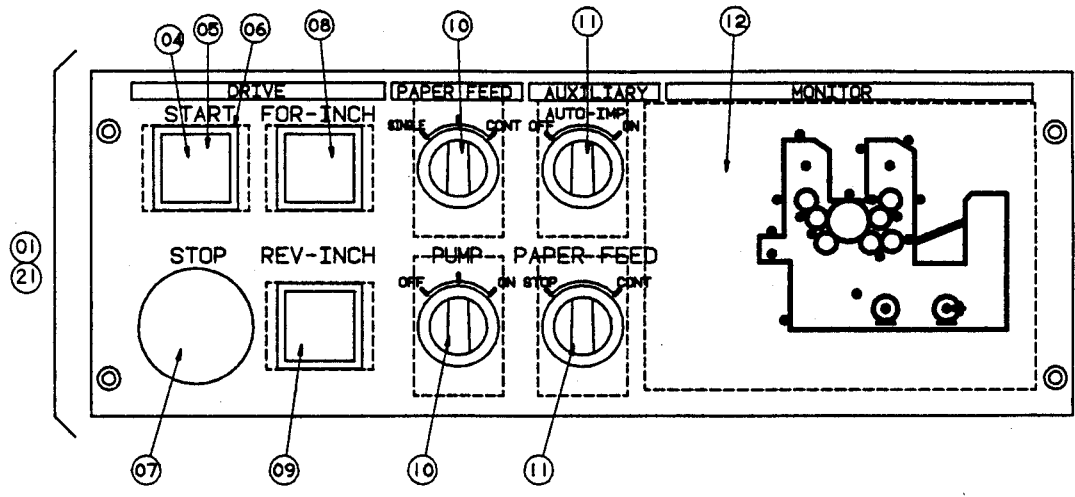
Control Box
(C248E, C248L, C248E-SF, C248L-SF)

INDEX No.	Parts No.	Description (Remarks)	Unit Per Assy							
			C48	C48L	C48SF	-SF C48L	C248E	C248L	-SF C248E	-SF C248L
01	E46-04-1B-3	Control Box (for C248L, C248L-SF)	0	0	0	0	0	1	0	1
02	E05-12-3	Glass Tubing Fuse (3A)	0	0	0	0	1	1	1	1
03	E05-41-3	Fuse Holder	0	0	0	0	5	5	5	5
04	E05-11-3	Glass Tubing Fuse (5A)	0	0	0	0	2	2	2	2
05	E05-13-3	Glass Tubing Fuse (2A)	0	0	0	0	1	1	1	1
06	E05-14-3	Glass Tubing Fuse (1A)	0	0	0	0	1	1	1	1
07	E45-02-14-3	Toggle Switch	0	0	0	0	1	1	1	1
08	E22-31-3	Volume	0	0	0	0	0	2	0	2
09	E22-32-3	Volume	0	0	0	0	0	2	0	2
10	E21-21-3	Varistor	0	0	0	0	1	1	1	1
11	E21-20-3	Varistor	0	0	0	0	1	1	1	1
12	E20-42-3	Transformer	0	0	0	0	1	1	1	1
13	E21-22-3	Noise Filter	0	0	0	0	1	1	1	1
14	E21-23-3	Surge Killer	0	0	0	0	1	1	1	1
15	E03-35-3	Magnet Switch (200V)	0	0	0	0	1	1	1	1
16	E03-36-3	Magnet Switch (380V)	0	0	0	0	1	1	1	1
17	E03-37-3	Magnet Switch (415V)	0	0	0	0	1	1	1	1
18	E31-49-3	Terminal	0	0	0	0	1	1	1	1
19	E31-50-3	Terminal	0	0	0	0	1	1	1	1
20	E31-51-3	Terminal	0	0	0	0	1	1	1	1
21	E42-12-03-3	I/O Board	0	0	0	0	1	1	1	1
22	E42-12-04-3	MPU Board	0	0	0	0	1	1	1	1
23	E18-71-3	Control Unit for Dampening Motor	0	0	0	0	2	2	2	2
24	E31-52-3	Socket	0	0	0	0	2	2	2	2
25	E15-23-3	SSR	0	0	0	0	1	1	1	1
26	E31-53-3	Socket	0	0	0	0	1	1	1	1
27	E19-21-3	Rectifier	0	0	0	0	2	2	2	2
28	E21-13-3	Capacitor	0	0	0	0	2	2	2	2
29	E22-33-3	Resistance	0	0	0	0	2	2	2	2
30	E22-34-3	Resistance	0	0	0	0	2	2	2	2
31	E08-08-3	Capacitor	0	0	0	0	2	2	2	2
32	E09-54-3	Magnetic Counter	0	0	0	0	1	1	1	1
33	E19-22-3	Diode	0	0	0	0	1	1	1	1
34	E19-23-3	Switching Regulator (D.C. 5V)	0	0	0	0	1	1	1	1
35	E46-04-1A-3	Control Box (for C248E, C248E-SF)	0	0	0	0	1	0	1	0

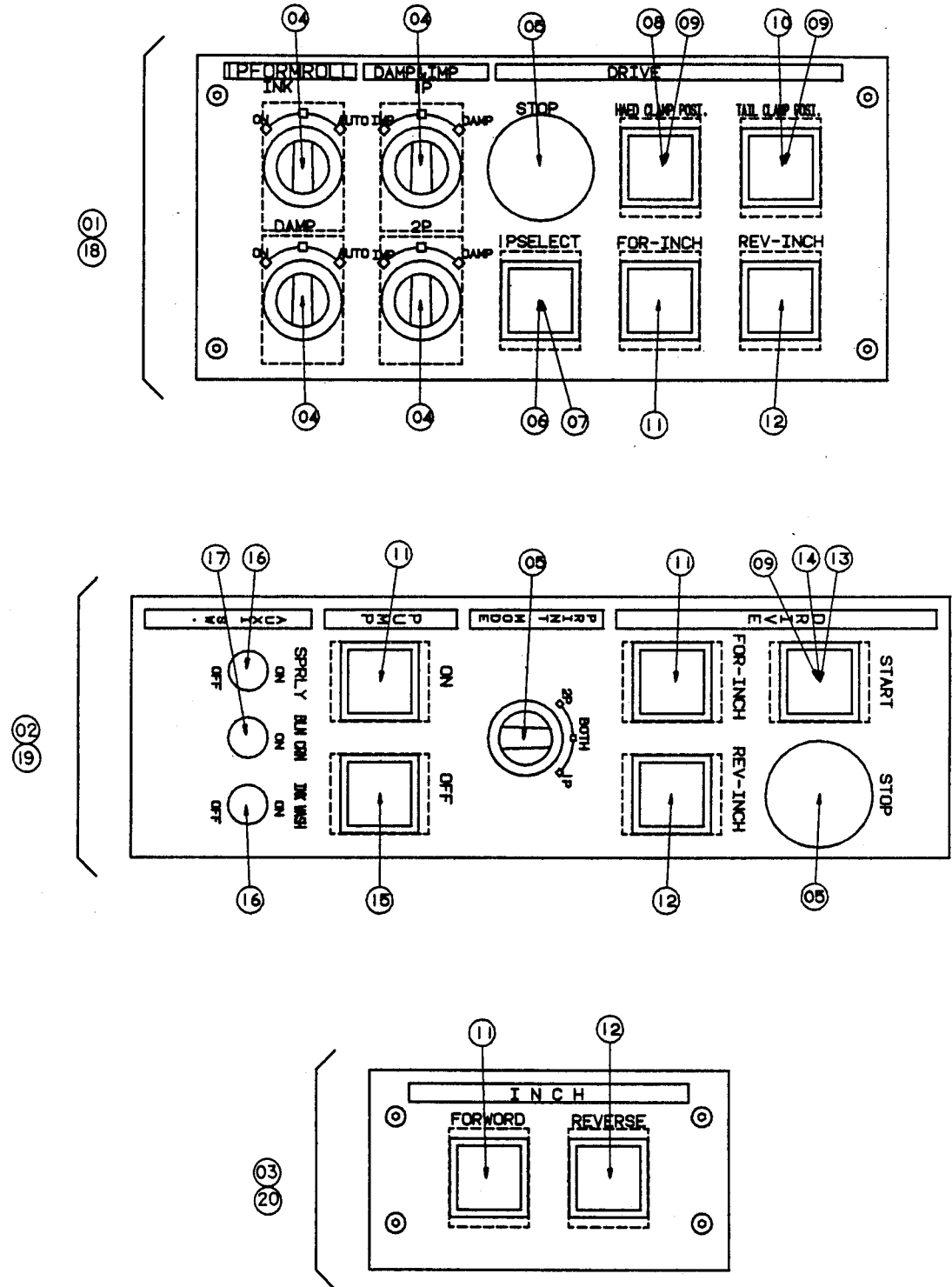


Operation Panel
(C248E-SF, C248L-SF)

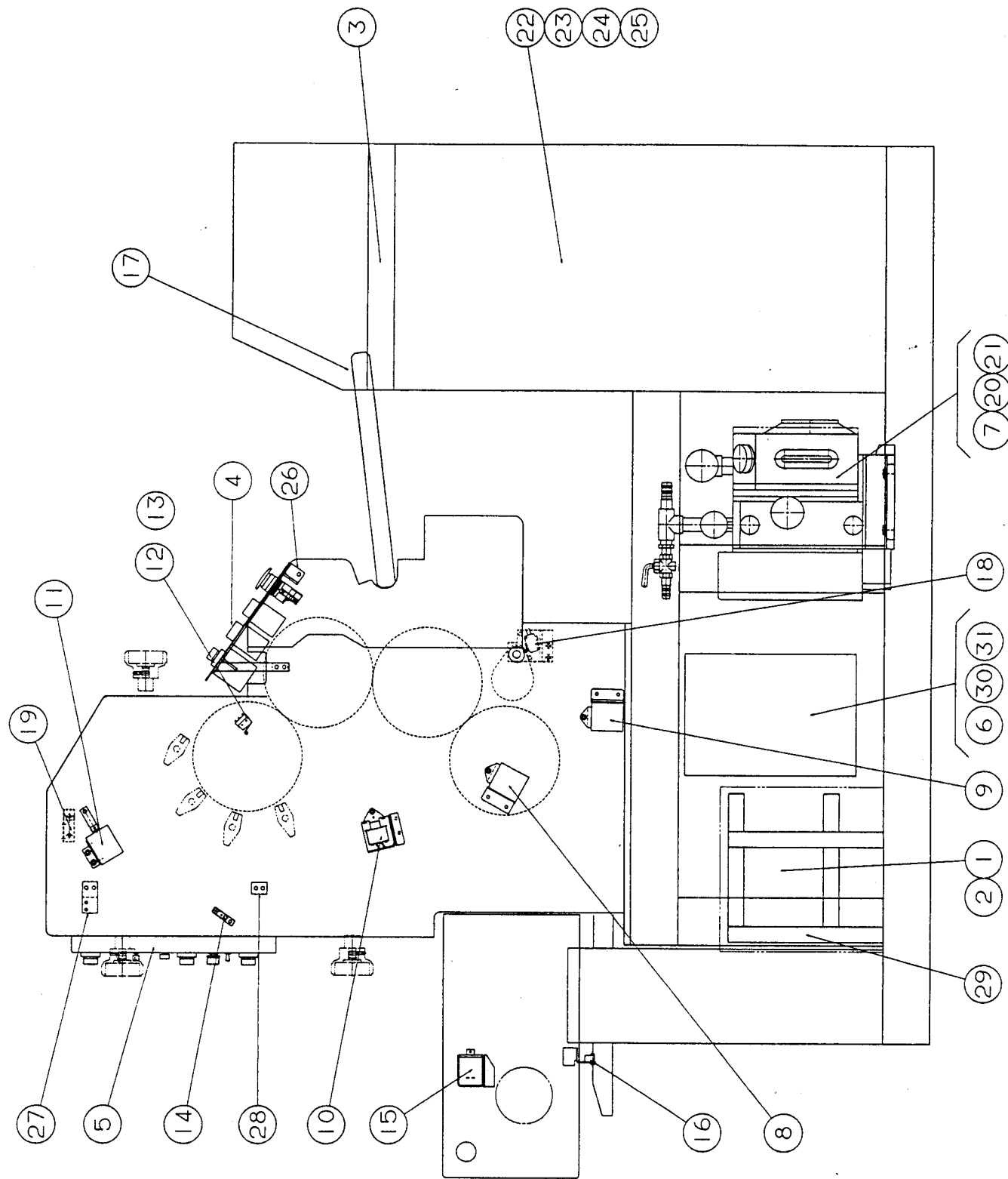
INDEX No.	Parts No.	Description (Remarks)	Unit Per Assy							
			C48	C48L	C48SF	-SF C48L	C248E	C248L	-SF C248E	-SF C248L
01	E51-81-2B-3	Operation Panel Assy (Feeder Side) (English)	0	0	0	0	0	0	1	1
02	E51-83-2B-3	Operation Panel Assy (E Type Delivery Side) (OP-S) (English)	0	0	0	0	0	0	1	0
03	E51-83-4B-3	Operation Panel Assy (L Type Delivery Side) (OP-S) (English)	0	0	0	0	0	0	0	1
04	E45-02-01-3	Push Switch for Auto L.M.P.	0	0	0	0	0	0	1	1
05	E12-55-3	Green Led	0	0	0	0	0	0	1	1
06	E45-02-02-3	Cover	0	0	0	0	0	0	1	1
07	E13-95-11-3	Push Switch	0	0	0	0	0	0	1	1
08	E45-02-03-3	Push Switch (Black Chip)	0	0	0	0	0	0	3	3
09	E45-02-05-3	Push Switch (Yellow Chip)	0	0	0	0	0	0	1	1
10	E13-95-05-3	Selector Switch (3 Position, Spring Return)	0	0	0	0	0	0	3	3
11	E13-95-08-3	Selector Switch (2 position)	0	0	0	0	0	0	2	2
12	E42-12-01-3	Monitor Led Board	0	0	0	0	0	0	1	1
13	E45-02-05-3	Push Switch for Auto L.M.P.	0	0	0	0	0	0	1	1
14	E12-56-3	Red Led	0	0	0	0	0	0	1	1
15	E13-95-09-3	Toggle Switch	0	0	0	0	0	0	1	1
16	E45-02-09-3	Push Switch	0	0	0	0	0	0	1	1
17	E42-12-02-3	7 Segment Led Board	0	0	0	0	0	0	1	1
18	E45-02-10-3	Rotary Switch (Digi. SW)	0	0	0	0	0	0	1	1
19	E22-29-3	Slide Volume	0	0	0	0	0	0	1	1
20	E13-95-07-3	Selector Switch (3 Position)	0	0	0	0	0	0	6	6
21	E22-30-3	Volume	0	0	0	0	0	0	2	2
22	E45-02-11-3	Toggle Switch	0	0	0	0	0	0	2	2
23	E51-81-2A-3	Operation Panel Assy (Feeder Side) (Japanese)	0	0	0	0	0	0	1	1
24	E51-83-2A-3	Operation Panel Assy (Delivery Side) (E Type) (OP-S) (Japanese)	0	0	0	0	0	0	1	0
25	E51-83-4A-3	Operation Panel Assy (Delivery Side) (L Type) (OP-S) (Japanese)	0	0	0	0	0	0	0	1



INDEX No.	Parts No.	Description (Remarks)	Unit Per Assy							
			C48	C48L	C48SF	C48L ^{SF}	C248E	C248L	C248E ^{SF}	C248L ^{SF}
01	E51-81-1B-3	Operation Panel Assy (Feeder Side) (English)	0	0	0	0	1	1	0	0
02	E51-83-1B-3	Operation Panel Assy (E Type Delivery Side OP-S) (English)	0	0	0	0	1	0	0	0
03	E51-83-3B-3	Operation Panel Assy (L Type Delivery Side OP-S) (English)	0	0	0	0	0	1	0	0
04	E45-02-01-3	Push Switch for Auto LMP.	0	0	0	0	1	1	0	0
05	E12-55-3	Green Led	0	0	0	0	1	1	0	0
06	E45-02-02-3	Cover	0	0	0	0	1	1	0	0
07	E13-95-11-3	Push Switch	0	0	0	0	1	1	0	0
08	E45-02-03-3	Push Switch (Black Chip)	0	0	0	0	1	1	0	0
09	E45-02-04-3	Push Switch (Yellow Chip)0	0	0	0	1	1	0	0	0
10	E13-95-05-3	Selector Switch (3 Position, Spring Return)	0	0	0	0	3	3	0	0
11	E13-95-08-3	Selector Switch (2 Position)	0	0	0	0	2	2	0	0
12	E42-12-01-3	Monitor Led Board	0	0	0	0	1	1	0	0
13	E13-95-09-3	Toggle Switch	0	0	0	0	1	1	0	0
14	E45-02-09-3	Push Switch	0	0	0	0	1	1	0	0
15	E42-12-02-3	7 Segment Led Board	0	0	0	0	1	1	0	0
16	E45-02-10-3	Rotary Switch (Digi. SW)	0	0	0	0	1	1	0	0
17	E22-29-3	Slide Volume	0	0	0	0	1	1	0	0
18	E13-95-07-3	Selector Switch (3 Posiion)	0	0	0	0	4	4	0	0
19	E22-30-3	Volume	0	0	0	0	2	2	0	0
20	E45-02-11-3	Toggle Switch	0	0	0	0	2	2	0	0
21	E51-81-1A-3	Operation Panel Assy (Feeder Side) (Japanese)	0	0	0	0	1	1	0	0
22	E51-83-1A-3	Operation Panel Assy (Delivery Side) (I: Type) (OP-S) (Japanese)	0	0	0	0	1	0	0	0
23	E51-83-3A-3	Operation Panel Assy (Delivery Side) (L: Type) (OP-S) (Japanese)	0	0	0	0	0	1	0	0

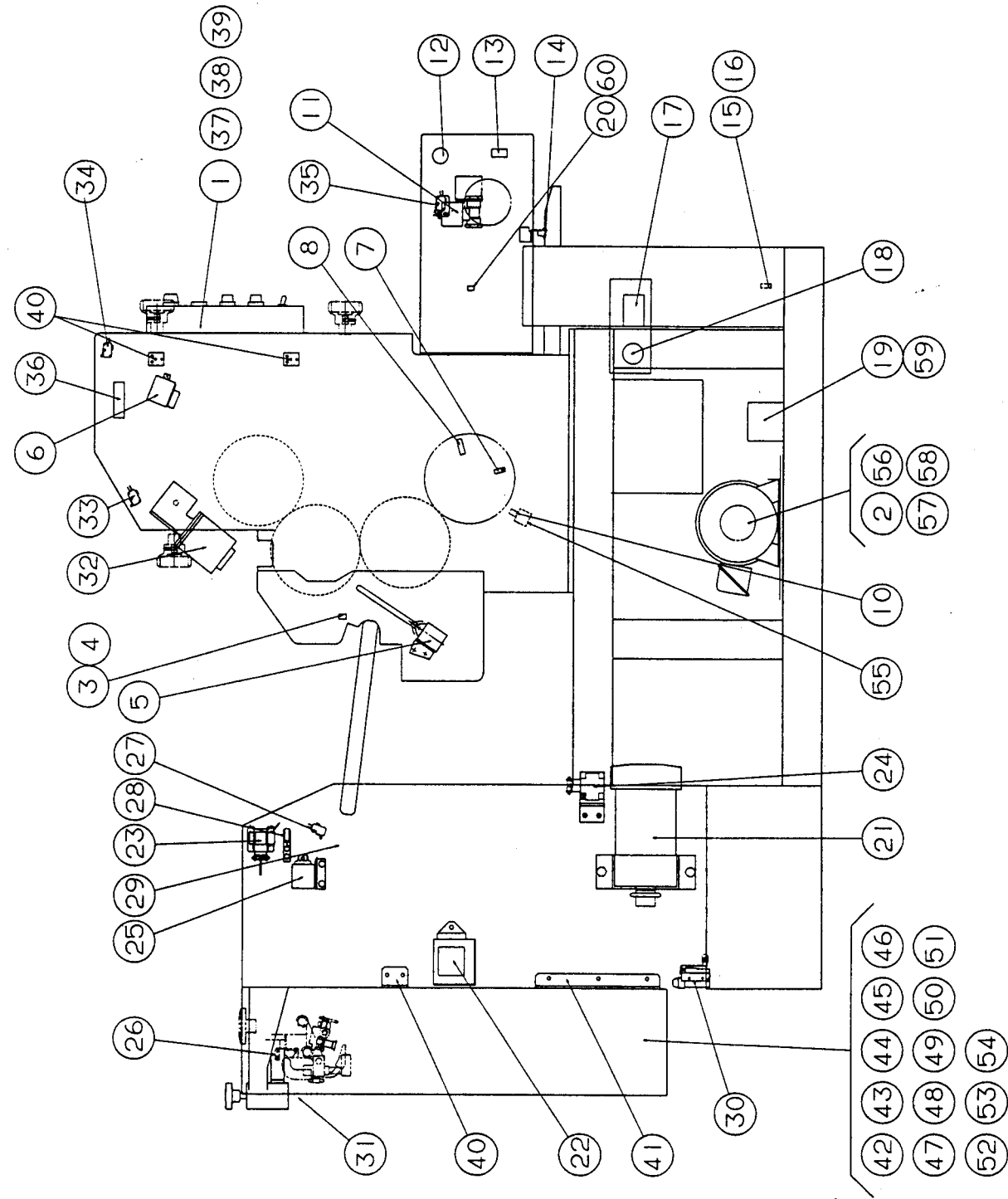


INDEX No.	Parts No.	Description (Remarks)	Unit Per Assy							
			C48	C48L	C48SF	-SF C48L	C248E	C248L	-SF C248E	-SF C248L
01	E51-82-1B-3	Operation Panel Assy (Press Side) (English)	0	0	0	0	1	1	1	1
02	E51-84-2B-3	Operation Panel Assy (Delivery Side) (NOP-S) (English)	0	0	0	0	0	0	1	0
03	E51-85-1B-3	Operation Panel Assy (Inching) (English)	0	0	0	0	1	1	1	1
04	E13-95-07-3	Selector Switch (3 Position)	0	0	0	0	4	4	4	4
05	E13-95-11-3	Push Switch	0	0	0	0	2	2	2	2
06	E45-02-06-3	Push Switch for Auto LMP.	0	0	0	0	1	1	1	1
07	E12-57-3	White Led	0	0	0	0	1	1	1	1
08	E45-02-07-3	Push Switch (Blue Chip)	0	0	0	0	1	1	1	1
09	E45-02-02-3	Cover	0	0	0	0	3	3	3	3
10	E45-02-08-3	Push Switch (Dark Green Chip)	0	0	0	0	1	1	1	1
11	E45-02-03-3	Push Switch (Black Chip)	0	0	0	0	3	3	3	3
12	E45-02-04-3	Push Switch (Yellow Chip)	0	0	0	0	3	3	3	3
13	E45-02-01-3	Push Switch for Auto LMP.	0	0	0	0	1	1	1	1
14	E12-55-3	Green Led	0	0	0	0	1	1	1	1
15	E45-02-12-3	Push Switch (Red Chip)	0	0	0	0	1	1	1	1
16	E13-47-3	Toggle Switch	0	0	0	0	1	1	2	2
17	E45-02-13-3	Toggle Switch	0	0	0	0	0	1	0	1
18	E51-82-1A-3	Operation Panel Assy (Press Side) (Japanese)	0	0	0	0	1	1	1	1
19	E51-84-2A-3	Operation Panel Assy (Delivery Side) (Japanese) (NOP-S)	0	0	0	0	0	0	1	0
20	E51-85-1A-3	Operation Panel Assy (Inching) (Japanese)	0	0	0	0	1	1	1	1
21	E51-84-4A-3	Operation Panel Assy (B. C) (Delivery Side) (NOP-S) (Japanese)	0	0	0	0	0	0	1	1
22	E51-84-4B-3	Operation Panel Assy (B. C) (Delivery Side) (NOP-S) (English)	0	0	0	0	0	0	1	1
23	E51-84-1A-3	Operation Panel Assy (Delivery Side) (NOP-S) (Japanese)	0	0	0	0	1	0	0	0
24	E51-84-1B-3	Operation Panel Assy (Delivery Side) (NOP-S) (English)	0	0	0	0	1	0	0	0
25	E51-84-3A-3	Operation Panel Assy (B. C) (Delivery Side) (NOP-S) (Japanese)	0	0	0	0	(1)	(1)	0	0
26	E51-84-3B-3	Operation Panel Assy (B. C) (Delivery Side) (NOP-S) (English)	0	0	0	0	(1)	(1)	0	0



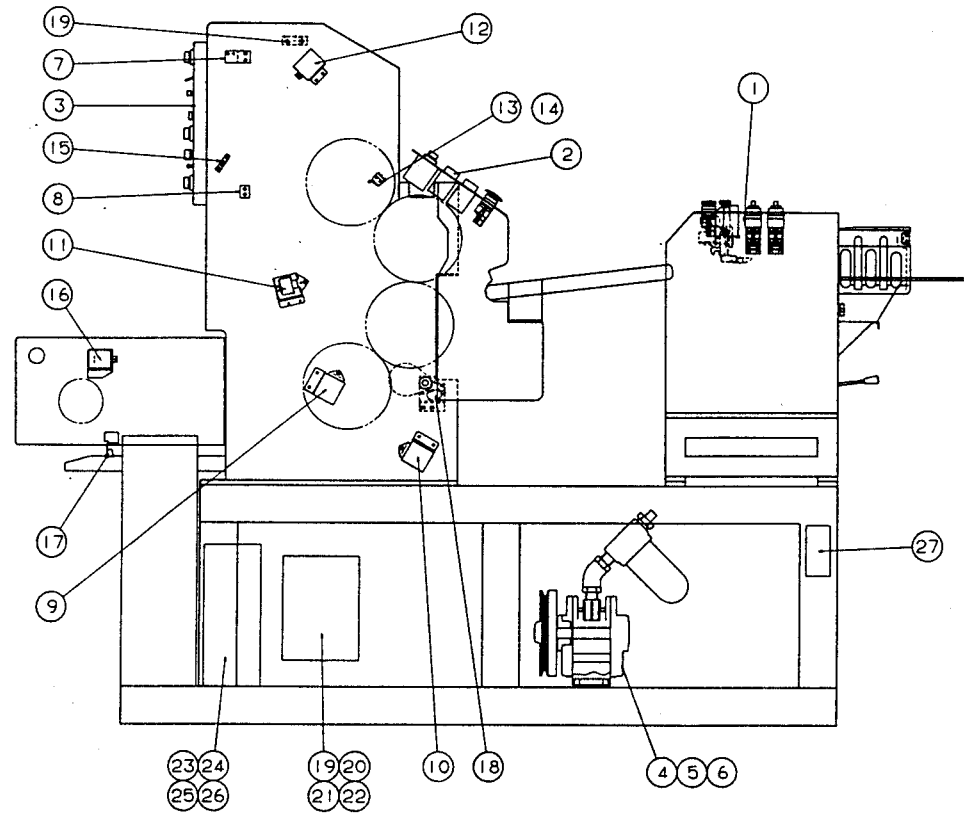
Arrangement For Electrical Component
(C48-SF, C48L-SF) (OP-Side)

INDEX No.	Parts No.	Description (Remarks)	Unit Per Assy							
			C48	C48L	C48SF	-SF C48L	C248E	C248L	-SF C248E	-SF C248L
01	E53-73-2A-3	Control Box (T220V)	0	0	1	1	0	0	0	0
02	E53-73-3A-3	Control Panel (T380 / 415V)	0	0	1	1	0	0	0	0
03	E51-87-2C-3	Operation Panel (Feeder Side) (Symbol)	0	0	1	1	0	0	0	0
04	E51-88-1C-3	Operation Panel (Press Side) (Symbol)	0	0	1	1	0	0	0	0
05	E51-89-1D-3	Operation Panel (Delivery Side) (Symbol)	0	0	1	1	0	0	0	0
06	E46-05-3	Inverter (Old Type)	0	0	1	1	0	0	0	0
07	E01-128-3	Pump Motor (T200 / 220V)	0	0	1	1	0	0	0	0
08	E09-32-3	Solenoid (P-B Pressure)	0	0	1	1	0	0	0	0
09	E09-32-3	Solenoid (Impression)	0	0	1	1	0	0	0	0
10	E09-52-3	Solenoid (Single Lever)	0	0	1	1	0	0	0	0
11	E09-25-3	Solenoid (Dampening Ductor)	0	0	1	1	0	0	0	0
12	E10-52-3	Limit Switch (Dampening Form Confirmation)	0	0	1	1	0	0	0	0
13	E10-52-3	Limit Switch (Inking Form Confirmation)	0	0	1	1	0	0	0	0
14	E26-75-3	Sensor (Plate Cylinder Positioning)	0	0	1	1	0	0	0	0
15	E09-25-3	Solenoid (Delivery Dolly Lower)	0	0	1	1	0	0	0	0
16	E26-84-02-3	Sensor (Receiver) (Delivery Dolly Height Detection)	0	0	1	1	0	0	0	0
17	E10-46-01-3	Limit Switch (Double Sheet Detection)	0	0	1	1	0	0	0	0
18	E10-29-3	Limit Switch (Handle Cover)	0	0	1	1	0	0	0	0
19	E10-47-3	Limit Switch (OP-Side Cover)	0	0	1	1	0	0	0	0
20	E01-91-01-3	Pump Motor (T380V)	0	0	1	1	0	0	0	0
21	E01-95-01-3	Pump Motor (T415V)	0	0	1	1	0	0	0	0
22	E46-07-1A-3	Control Panel (T200 / 220V)	0	0	1	0	0	0	0	0
23	E46-07-2A-3	Control Panel (T380 / 415V)	0	0	1	0	0	0	0	0
24	E46-07-1B-3	Control Panel (T200 / 220V)	0	0	0	1	0	0	0	0
25	E46-07-2B-3	Control Panel (T380 / 415V)	0	0	0	1	0	0	0	0
26	7205-18028	Bracket	0	0	1	1	0	0	0	0
27	7205-18010	Bracket	0	0	1	1	0	0	0	0
28	7205-18011	Bracket	0	0	1	1	0	0	0	0
29	7205-18009	Bracket	0	0	1	1	0	0	0	0
30	E46-28-01-3	Inverter (T200V)	0	0	1	1	0	0	0	0
31	E46-28-04-3	Inverter (T380 / 415V)	0	0	1	1	0	0	0	0



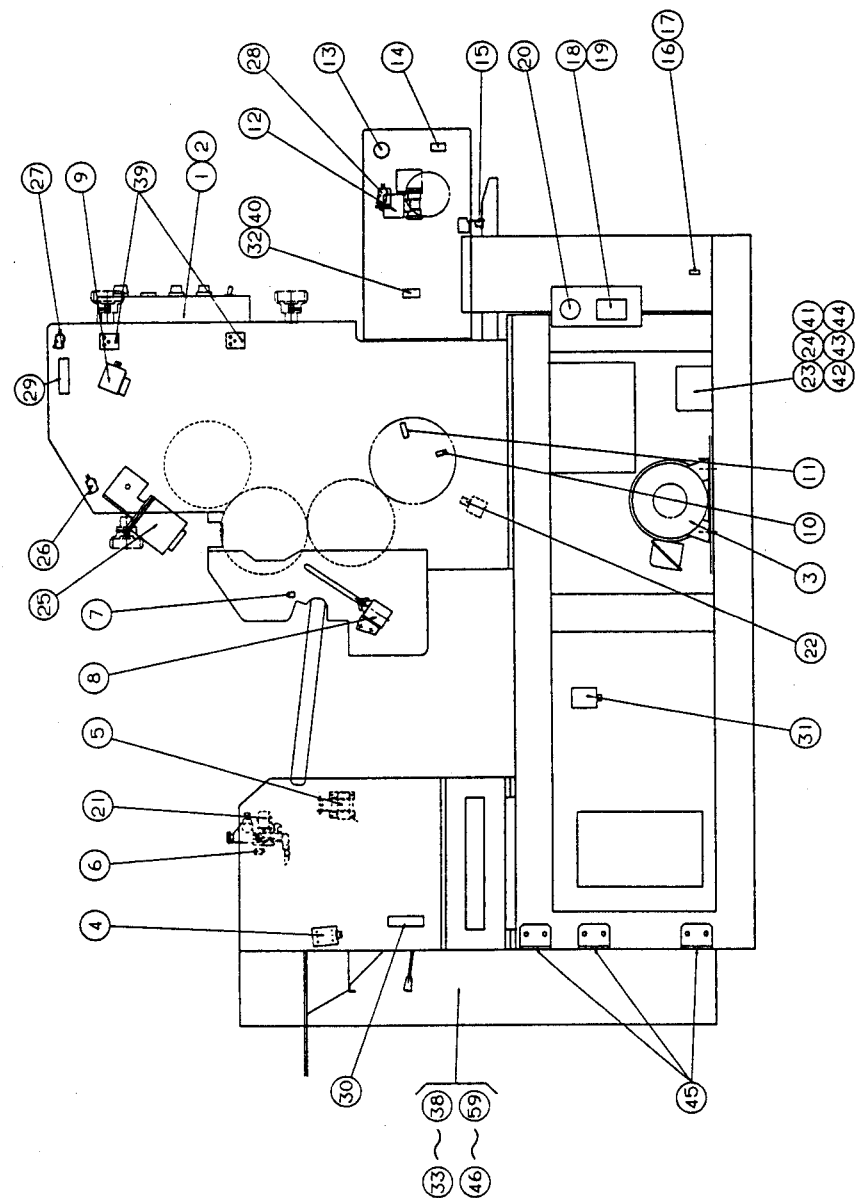
Arrangement For Electrical Component
(C48-SF, C48L-SF) (NOP-Side)

INDEX No.	Parts No.	Description (Remarks)	Unit Per Assy							
			C48	C48L	C48SF	-SF C48L	C248E	C248L	-SF C248E	-SF C248L
01	E51-90-2A-3	Operation Panel (Old) (Delivery Side) (Japanese)	0	0	1	1	0	0	0	0
02	E01-113-3	Main Motor (T200V)	0	0	1	1	0	0	0	0
03	E26-68-3	Sensor (Emitter) (Double Sheet Detection)	0	0	1	1	0	0	0	0
04	E26-69-3	Sensor (Receiver) (Double Sheet Detection)	0	0	1	1	0	0	0	0
05	E09-29-3	Solenoid (JAM Stopper)	0	0	1	1	0	0	0	0
06	E09-25-3	Solenoid (Ink Ductor)	0	0	1	1	0	0	0	0
07	E26-75-3	Sensor (Reference Position)	0	0	1	1	0	0	0	0
08	E26-83-3	Sensor (Pulse)	0	0	1	1	0	0	0	0
09	E01-114-3	Main Motor (T380 / 415V)	0	0	1	1	0	0	0	0
10	E26-74-3	Sensor (Blanket JAM)	0	0	1	1	0	0	0	0
11	E09-42-02-3	Spray Valve	0	0	1	1	0	0	0	0
12	E24-11-1A-3	Fluorescent Lamp	0	0	1	1	0	0	0	0
13	E10-29-3	Limit Switch	0	0	1	1	0	0	0	0
14	E26-84-01-3	Sensor (Emitter) (Delivery Dolly Height Detection)	0	0	1	1	0	0	0	0
15	E10-12-3	Reed Switch (Delivery Dolly Lower)	0	0	1	1	0	0	0	0
16	E10-14-3	Magnet (Delivery Dolly Lower Limit)	0	0	1	1	0	0	0	0
17	E20-10-3	Fluorescent Lamp Stabilizer (50Hz)	0	0	1	1	0	0	0	0
18	E03-34-3	Buzzer	0	0	1	1	0	0	0	0
19	E11-01-05-3	Transformer (Old) (Anti-Static)	0	0	1	1	0	0	0	0
20	E11-02-01-7	Anti Static Bar (Old)	0	0	1	1	0	0	0	0
21	E-101-38	Feed Stack Table Raise / Lower Motor (200 / 220V)	0	0	1	1	0	0	0	0
22	E-101-44	Solenoid (Clutch)	0	0	1	1	0	0	0	0
23	E-101-48	Solenoid (Paper Feed)	0	0	1	1	0	0	0	0
24	E-101-48	Solenoid (Take-up)	0	0	1	1	0	0	0	0
25	E09-52-3	Sensor (Stack Height Detection)	0	0	1	1	0	0	0	0
26	E26-75-3	Solenoid (Gripper Unclamp)	0	0	1	1	0	0	0	0
27	E10-29-3	Limit Switch (Feed Stack Table Raise Stop)	0	0	1	1	0	0	0	0
28	E10-29-3	Limit Switch (Gripper Position Check)	0	0	1	1	0	0	0	0
29	E-101-21	Limit Switch (Feed Stack Table Upper)	0	0	1	1	0	0	0	0
30	E10-20-3	Limit Switch (Feed Stack Table Lower)	0	0	1	1	0	0	0	0
31	E10-38-3	Limit Switch (Feeder Head Safety)	0	0	1	1	0	0	0	0
32	E01-120-3	Motor (Dampening Fountain)	0	0	1	1	0	0	0	0
33	E10-29-3	Limit Switch (Dampener Cover)	0	0	1	1	0	0	0	0
34	E10-29-3	Limit Switch (Inking Section Cover)	0	0	1	1	0	0	0	0
35	E10-29-3	Limit Switch (CD Cover)	0	0	1	1	0	0	0	0
36	E10-30-3	Limit Switch (NOP-S Cover)	0	0	1	1	0	0	0	0
37	E51-90-2B-3	Operation Panel (Old) (Delivery Side) (English)	0	0	1	1	0	0	0	0
38	E51-90-2E-3	Operation Panel (New) (Delivery Side - B. C) (Symbol)	0	0	1	1	0	0	0	0
39	E51-90-2D-3	Operation Panel (New) (Delivery Side) (Symbol)	0	0	1	1	0	0	0	0
40	7205-18038	Bracket	0	0	1	1	0	0	0	0
41	7205-18039	Bracket	0	0	1	1	0	0	0	0
42	E46-07-1E-3	Control Box (T200V - B. C)	0	0	1	0	0	0	0	0
43	E46-07-1F-3	Control Box (T200V - B. C)	0	0	0	1	0	0	0	0
44	E46-07-2E-3	Control Box (T220V - B. C)	0	0	1	0	0	0	0	0
45	E46-07-2F-3	Control Box (T220V - B. C) (L, EX Type)	0	0	0	1	0	0	0	0
46	E46-07-3E-3	Control Box (T380V - B. C)	0	0	1	0	0	0	0	0
47	E46-07-3F-3	Control Box (T380V - B. C)	0	0	0	1	0	0	0	0
48	E46-07-4E-3	Control Box (T415V - B. C)	0	0	1	0	0	0	0	0
49	E46-07-4F-3	Control Box (T415V - B. C)	0	0	0	1	0	0	0	0
50	E46-07-5E-3	Control Box (T200V)	0	0	1	0	0	0	0	0
51	E46-07-6E-3	Control Box (T220V)	0	0	1	0	0	0	0	0
52	E46-07-5F-3	Control Box (T220V) (EX Type)	0	0	0	0	0	0	0	0
53	E46-07-7E-3	Control Box (T380V)	0	0	1	0	0	0	0	0
54	E46-07-8E-3	Control Box (T415V)	0	0	1	0	0	0	0	0
55	E11-14-04-3	Transformer (New) (Anti-Static)	0	0	1	1	0	0	0	0
56	E20-11-3	Fluorescent Lamp Stabilizer (60Hz)	0	0	1	1	0	0	0	0
57	E01-92-3	Feed Stack Table Raise / Lower Motor (380V)	0	0	1	1	0	0	0	0
58	E01-96-3	Feed Stack Table Raise / Lower Motor (415V)	0	0	1	1	0	0	0	0
59	E11-14-04-3	Anti-Static Bar (New)	0	0	1	1	0	0	0	0



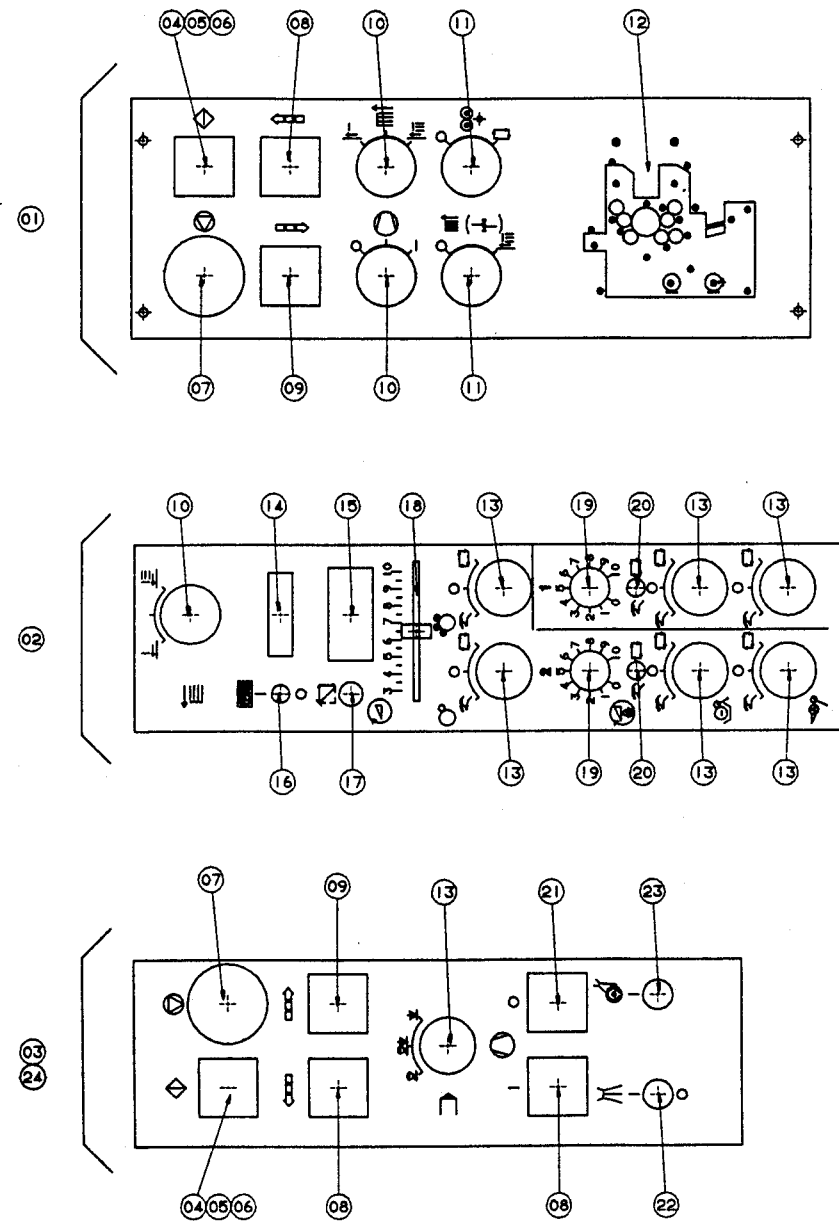
Arrangement For Electrical Component
(C48, C48L) (OP-Side)

INDEX No.	Parts No.	Description (Remarks)	Unit Per Assy								
			C48	C48L	C48SF	C48L-SF	C248E	C248L	C248E-SF	C248L-SF	
01	E51-87-1C-3	Operation Panel (Feeder Side) (Symbol)	1	1	0	0	0	0	0	0	0
02	E51-88-1C-3	Operation Panel (Press Side) (Symbol)	1	1	0	0	0	0	0	0	0
03	E51-89-1D-3	Operation Panel (Delivery Side) (Symbol)	1	1	0	0	0	0	0	0	0
04	E01-66-3	Motor (Pump)	1	1	0	0	0	0	0	0	0
05	E01-86-3	Motor (Pump)	1	1	0	0	0	0	0	0	0
06	E01-68-3	Motor (Pump)	1	1	0	0	0	0	0	0	0
07	7205-18010	Bracket	1	1	0	0	0	0	0	0	0
08	7205-18011	Bracket	1	1	0	0	0	0	0	0	0
09	E09-32-3	Solenoid (P-B)	1	1	0	0	0	0	0	0	0
10	E09-32-3	Solenoid (B-I)	1	1	0	0	0	0	0	0	0
11	E09-25-3	Solenoid (Single Lever)	1	1	0	0	0	0	0	0	0
12	E09-25-3	Solenoid (Dampening Ductor Roller)	1	1	0	0	0	0	0	0	0
13	E10-52-3	Limit Switch (Dampening form Roller Position)	1	1	0	0	0	0	0	0	0
14	E10-52-3	Limit Switch (Inking form Roller Position)	1	1	0	0	0	0	0	0	0
15	E26-75-3	Sensor (Dampening Ductor Roller)	1	1	0	0	0	0	0	0	0
16	E09-25-3	Solenoid (Delivery Dolly Lower)	1	1	0	0	0	0	0	0	0
17	E26-84-02-3	Sensor (Receiver) (Delivery Dolly Height Detection)	1	1	0	0	0	0	0	0	0
18	E10-29-3	Limit Switch (Handle Cover)	1	1	0	0	0	0	0	0	0
19	E46-28-01-3	Inverter (T200 / 220V)	1	1	0	0	0	0	0	0	0
20	E46-28-04-3	Inverter (T380 / 415V)	1	1	0	0	0	0	0	0	0
21	E46-28-03-3	Inverter (S240V)	1	1	0	0	0	0	0	0	0
22	E46-28-02-3	Inverter (S200 / 220V)	1	1	0	0	0	0	0	0	0
23	E46-06-1A-3	Control Panel (200V)	1	0	0	0	0	0	0	0	0
24	E46-06-3A-3	Control Panel (380V)	1	0	0	0	0	0	0	0	0
25	E46-06-1B-3	Control Panel (200V)	0	1	0	0	0	0	0	0	0
26	E46-06-3B-3	Control Panel (380V)	0	1	0	0	0	0	0	0	0
27	E53-58-1A-3	Power Switch	1	1	0	0	0	0	0	0	0



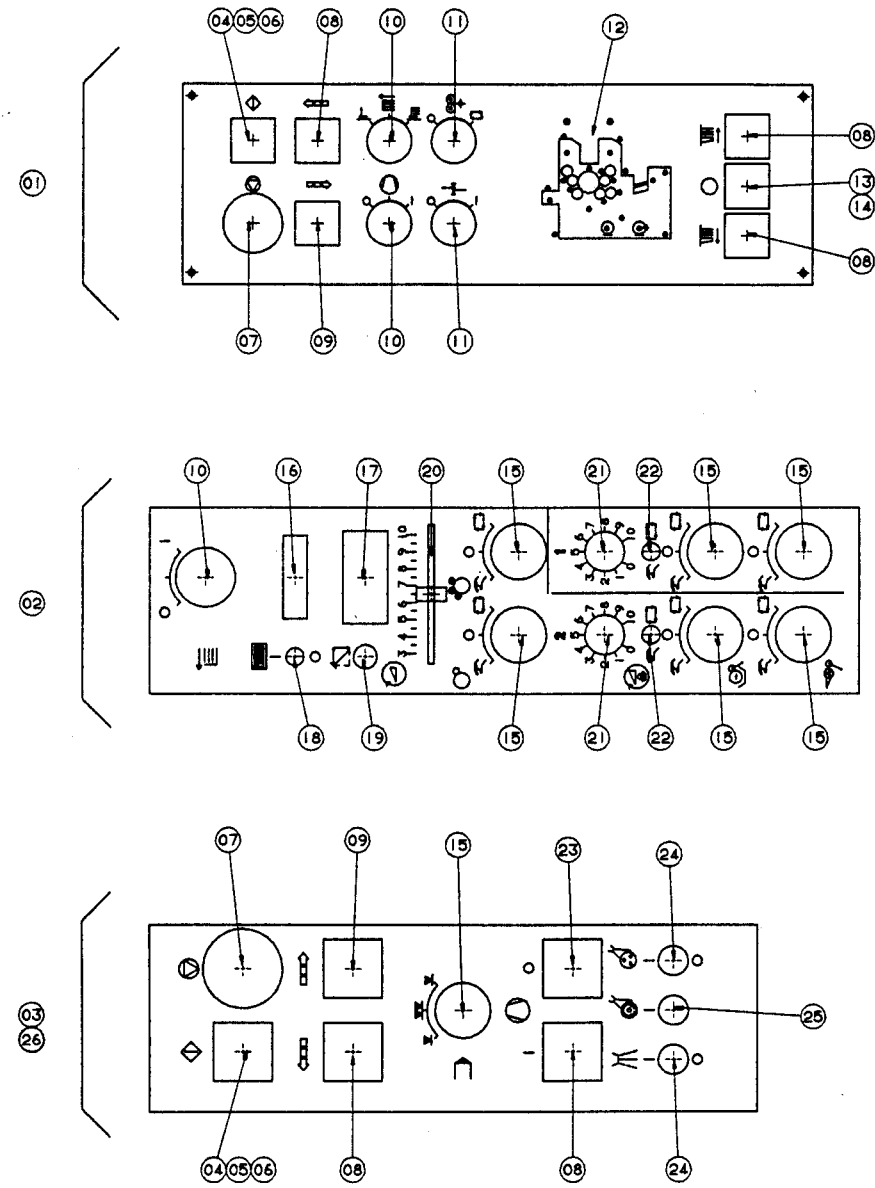
Arrangement For Electrical Component
(C48, C48L) (NOP-S)

INDEX No.	Parts No.	Description (Remarks)	Unit Per Assy							
			C48	C48L	C48SF	-SF C48L	C248E	C248L	-SF C248E	-SF C248L
01	E51-90-1E-3	Operation Panel (Delivery Side - B. C) (Symbol)	1	1	0	0	0	0	0	0
02	E51-90-1D-3	Operation Panel (Delivery Side) (Symbol)	1	1	0	0	0	0	0	0
03	E01-113-3	Main Motor (T200V)	1	1	0	0	0	0	0	0
04	E09-25-3	Solenoid (Paper Feed)	1	1	0	0	0	0	0	0
05	E09-51-3	Solenoid (Double Sheet Deflector)	1	1	0	0	0	0	0	0
06	E26-80-3	Sensor (Paper Deflection)	1	1	0	0	0	0	0	0
07	E26-80-3	Sensor (Paper Deflection)	1	1	0	0	0	0	0	0
08	E09-29-3	Solenoid (JAM Stopper)	1	1	0	0	0	0	0	0
09	E09-25-3	Solenoid (Ink Ductor)	1	1	0	0	0	0	0	0
10	E26-75-3	Sensor (Reference Position)	1	1	0	0	0	0	0	0
11	E26-83-3	Sensor (Pulse)	1	1	0	0	0	0	0	0
12	E09-42-02-3	Spray Valve	1	1	0	0	0	0	0	0
13	E24-11-1A-3	Fluorescent Lamp	1	1	0	0	0	0	0	0
14	E10-38-3	Limit Switch (CD JAM)	1	1	0	0	0	0	0	0
15	E26-84-01-3	Sensor (Delivery Stack Height Deflection)	1	1	0	0	0	0	0	0
16	E10-12-3	Reed Switch (Delivery Stack Table Lower)	1	1	0	0	0	0	0	0
17	E10-14-3	Magnet (Delivery Stack Table)	1	1	0	0	0	0	0	0
18	E20-10-3	Fluorescent Lamp Stabilizer (50Hz)	1	1	0	0	0	0	0	0
19	E20-11-3	Fluorescent Lamp Stabilizer (60Hz)	1	1	0	0	0	0	0	0
20	E03-34-3	Buzzer	1	1	0	0	0	0	0	0
21	E10-02-3	Limit Switch (Double Sheet Deflection)	1	1	0	0	0	0	0	0
22	E26-74-3	Sensor (Blanket JAM)	1	1	0	0	0	0	0	0
23	E11-01-08-3	Transformer (Old) (Anti-Static) (200V)	1	1	0	0	0	0	0	0
24	E11-01-09-3	Transformer (Old) (Anti-Static) (220V)	1	1	0	0	0	0	0	0
25	E01-120-3	Motor (Dampening Fountain)	1	1	0	0	0	0	0	0
26	E10-29-3	Limit Switch (Dampener Cover)	1	1	0	0	0	0	0	0
27	E10-29-3	Limit Switch (Inking Section Cover)	1	1	0	0	0	0	0	0
28	E10-29-3	Limit Switch (CD Cover)	1	1	0	0	0	0	0	0
29	E10-47-3	Limit Switch (M-S Cover)	1	1	0	0	0	0	0	0
30	E10-47-3	Limit Switch (Feeder M-S Cover)	1	1	0	0	0	0	0	0
31	E09-25-3	Solenoid (Air Blower)	1	1	0	0	0	0	0	0
32	E11-02-01-7	Anti-Static Bar (Old)	1	1	0	0	0	0	0	0
33	E46-06-1E-3	Control Box (T200V - B. C)	1	0	0	0	0	0	0	0
34	E46-06-1F-3	Control Box (T200V - B. C)	0	1	0	0	0	0	0	0
35	E46-06-2E-3	Control Box (T220V - B. C)	1	0	0	0	0	0	0	0
36	E46-06-2F-3	Control Box (T220V - B. C)	0	1	0	0	0	0	0	0
37	E46-06-3E-3	Control Box (T380V - B. C)	1	0	0	0	0	0	0	0
38	E46-06-3F-3	Control Box (T380V - B. C)	0	1	0	0	0	0	0	0
39	7205-18038	Bracket	2	2	0	0	0	0	0	0
40	E11-14-04-3	Anti-Static Bar (New)	1	1	0	0	0	0	0	0
41	E11-01-10-3	Transformer (Old) (Anti-Static) (240V)	1	1	0	0	0	0	0	0
42	E11-13-09-3	Transformer (New) (Anti-Static) (200V)	1	1	0	0	0	0	0	0
43	E11-13-10-3	Transformer (New) (Anti-Static) (220V)	1	1	0	0	0	0	0	0
44	E11-13-11-3	Transformer (New) (Anti-Static) (240V)	1	1	0	0	0	0	0	0
45	7205-18040	Bracket	1	1	0	0	0	0	0	0
46	E46-06-4E-3	Control Box (T415V - B. C)	1	0	0	0	0	0	0	0
47	E46-06-4F-3	Control Box (T415V - B. C)	0	1	0	0	0	0	0	0
48	E46-06-5E-3	Control Box (T200V)	1	0	0	0	0	0	0	0
49	E46-06-6E-3	Control Box (T220V)	1	0	0	0	0	0	0	0
50	E46-06-5F-3	Control Box (T220V) (EX Type)	0	0	0	0	0	0	0	0
51	E46-06-7E-3	Control Box (T380V)	1	0	0	0	0	0	0	0
52	E46-06-8E-3	Control Box (T415V)	1	0	0	0	0	0	0	0
53	E46-06-9E-3	Control Box (S220V - B. C)	1	0	0	0	0	0	0	0
54	E46-06-6F-3	Control Box (S220V - B. C) (L, EX Type)	0	1	0	0	0	0	0	0
55	E46-06-AE-6	Control Box (S240V - B. C)	1	0	0	0	0	0	0	0
56	E46-06-7F-3	Control Box (S240V - B. C)	0	1	0	0	0	0	0	0
57	E46-06-BE-3	Control Box (S220V)	1	0	0	0	0	0	0	0
58	E46-06-8F-3	Control Box (S220V) (EX Type)	0	0	0	0	0	0	0	0
59	E46-06-CE-3	Control Box (S240V)	1	0	0	0	0	0	0	0



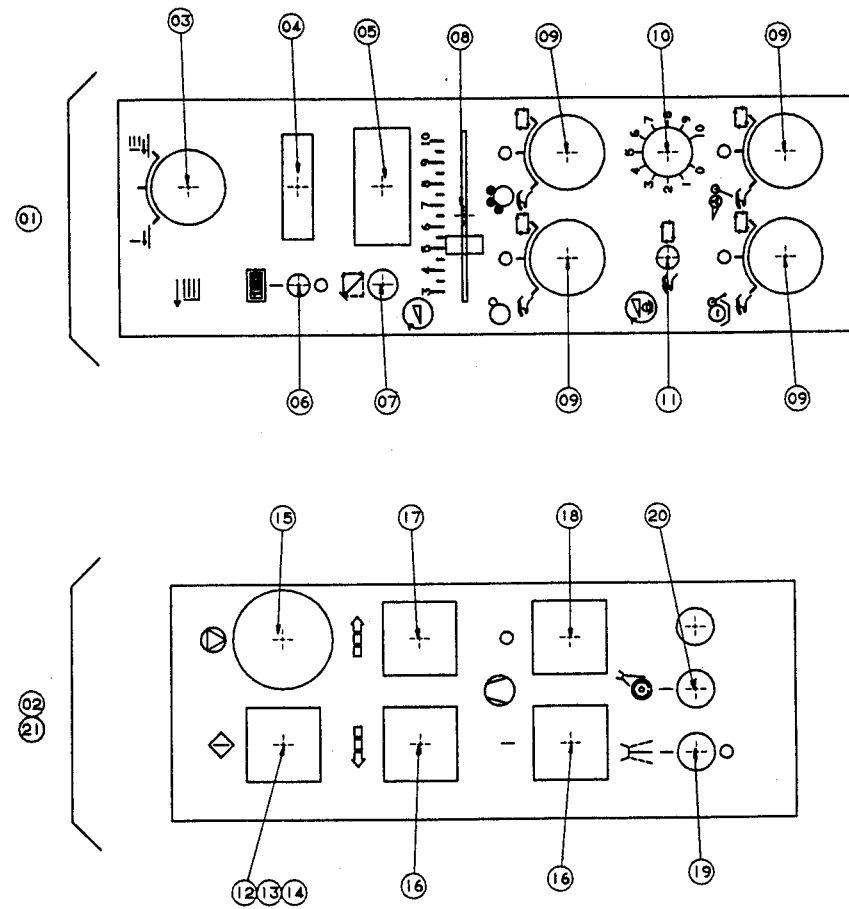
Operation Panel (CT-2L108-, CT-3B113-)
(C248E, C248L) - New Type

INDEX No.	Parts No.	Description (Remarks)	Unit Per Assy							
			C48	C48L	C48SF	-SF C48L	C248E	C248L	-SF C248E	-SF C248L
01	E51-81-1C-3	Operation Panel Assy (Feeder Side)	0	0	0	0	1	1	0	0
02	E51-83-1D-3	Operation Panel Assy (Delivery Side) (OP-S)	0	0	0	0	1	1	0	0
03	E51-84-1D-3	Operation Panel Assy (Delivery Side) (NOP-S)	0	0	0	0	1	0	0	0
04	E45-02-01-3	Push Switch for Auto LMP	0	0	0	0	2	2	0	0
05	E12-55-3	Green Led	0	0	0	0	2	2	0	0
06	E45-02-02-3	Cover	0	0	0	0	2	2	0	0
07	E13-95-11-3	Push Switch	0	0	0	0	2	2	0	0
08	E45-02-03-3	Push Switch (Black Chip)	0	0	0	0	3	3	0	0
09	E45-02-04-3	Push Switch (Yellow Chip)	0	0	0	0	2	2	0	0
10	E13-95-05-3	Selector Switch (3 Position Spring Return)	0	0	0	0	3	3	0	0
11	E13-95-08-3	Selector Switch (2 Position)	0	0	0	0	2	2	0	0
12	E42-12-01-3	Monitor Led Board	0	0	0	0	1	1	0	0
13	E13-95-07-3	Selector Switch (3 Position)	0	0	0	0	7	7	0	0
14	E42-12-02-3	7 Segment Led Board	0	0	0	0	1	1	0	0
15	E45-02-10-3	Rotary Switch (Digi, SW)	0	0	0	0	1	1	0	0
16	E13-95-09-3	Toggle Switch	0	0	0	0	1	1	0	0
17	E45-02-09-3	Push Switch	0	0	0	0	1	1	0	0
18	E22-35-1B-3	Slide Volume	0	0	0	0	1	1	0	0
19	E22-30-3	Volume	0	0	0	0	2	2	0	0
20	E45-02-11-3	Toggle Switch	0	0	0	0	2	2	0	0
21	E45-02-12-3	Push Switch (Red Chip)	0	0	0	0	1	1	0	0
22	E13-47-3	Toggle Switch	0	0	0	0	1	1	0	0
23	E45-02-13-3	Toggle Switch	0	0	0	0	1	1	0	0
24	E51-84-3D-3	Operation Panel Assy with B. C. (Delivery Side) (NOP-S)	0	0	0	0	(1)	1	0	0



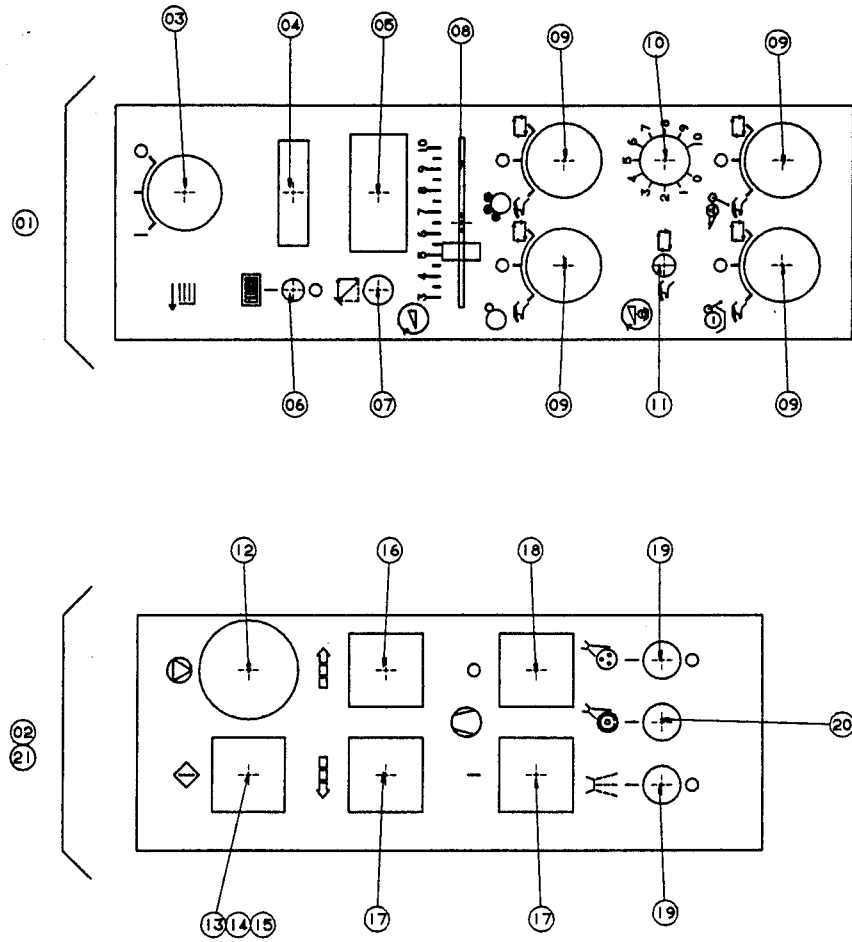
Operation Panel (CT-2L108~, CT-3B113~)
(C248E, C248L-SF) - New Type

INDEX No.	Parts No.	Description (Remarks)	Unit Per Assy							
			C48	C48L	C48SF	C48L-SF	C248E	C248L	C248E-SF	C248L-SF
01	E51-81-2C-3	Operation Panel Assy (Feeder Side)	0	0	0	0	0	0	1	1
02	E51-83-2D-3	Operation Panel Assy (Delivery Side) (OP-S)	0	0	0	0	0	0	1	1
03	E51-83-2D-3	Operation Panel Assy (Delivery Side) (NOP-S)	0	0	0	0	0	0	1	0
04	E45-02-01-3	Push Switch for Auto LMP	0	0	0	0	0	0	2	2
05	E12-55-3	Green Led	0	0	0	0	0	0	2	2
06	E45-02-02-3	Cover	0	0	0	0	0	0	2	2
07	E13-95-11-3	Push Switch	0	0	0	0	0	0	2	2
08	E45-02-03-3	Push Switch (Black Chip)	0	0	0	0	0	0	3	3
09	E45-02-04-3	Push Switch (Yellow Chip)	0	0	0	0	0	0	2	2
10	E13-95-05-3	Selector Switch (3 Position, Spring Return)	0	0	0	0	0	0	3	3
11	E13-95-08-3	Selector Switch (2 Position)	0	0	0	0	0	0	2	2
12	E42-12-01-3	Monitor Led Board	0	0	0	0	0	0	1	1
13	E45-02-05-3	Push Switch for Auto LMP	0	0	0	0	0	0	1	1
14	E12-56-3	Red Led	0	0	0	0	0	0	1	1
15	E13-95-07-3	Selector Switch (3 Position)	0	0	0	0	0	0	7	7
16	E42-12-02-3	7 Segment Led Board	0	0	0	0	0	0	1	1
17	E45-02-10-3	Rotary Switch (Digi, SW)	0	0	0	0	0	0	1	1
18	E13-95-09-3	Toggle Switch	0	0	0	0	0	0	1	1
19	E45-02-09-3	Push Switch	0	0	0	0	0	0	1	1
20	E22-35-1B-3	Slide Volume	0	0	0	0	0	0	1	1
21	E22-30-3	Volume	0	0	0	0	0	0	2	2
22	E45-02-11-3	Toggle Switch	0	0	0	0	0	0	2	2
23	E45-02-12-3	Push Switch (Red Chip)	0	0	0	0	0	0	1	1
24	E13-47-3	Toggle Switch	0	0	0	0	0	0	2	2
25	E45-02-13-3	Toggle Switch	0	0	0	0	0	0	1	1
26	E51-84-4D-3	Operation Panel Assy with B. C (Delivery Side) (NOP-S)	0	0	0	0	0	0	(1)	1



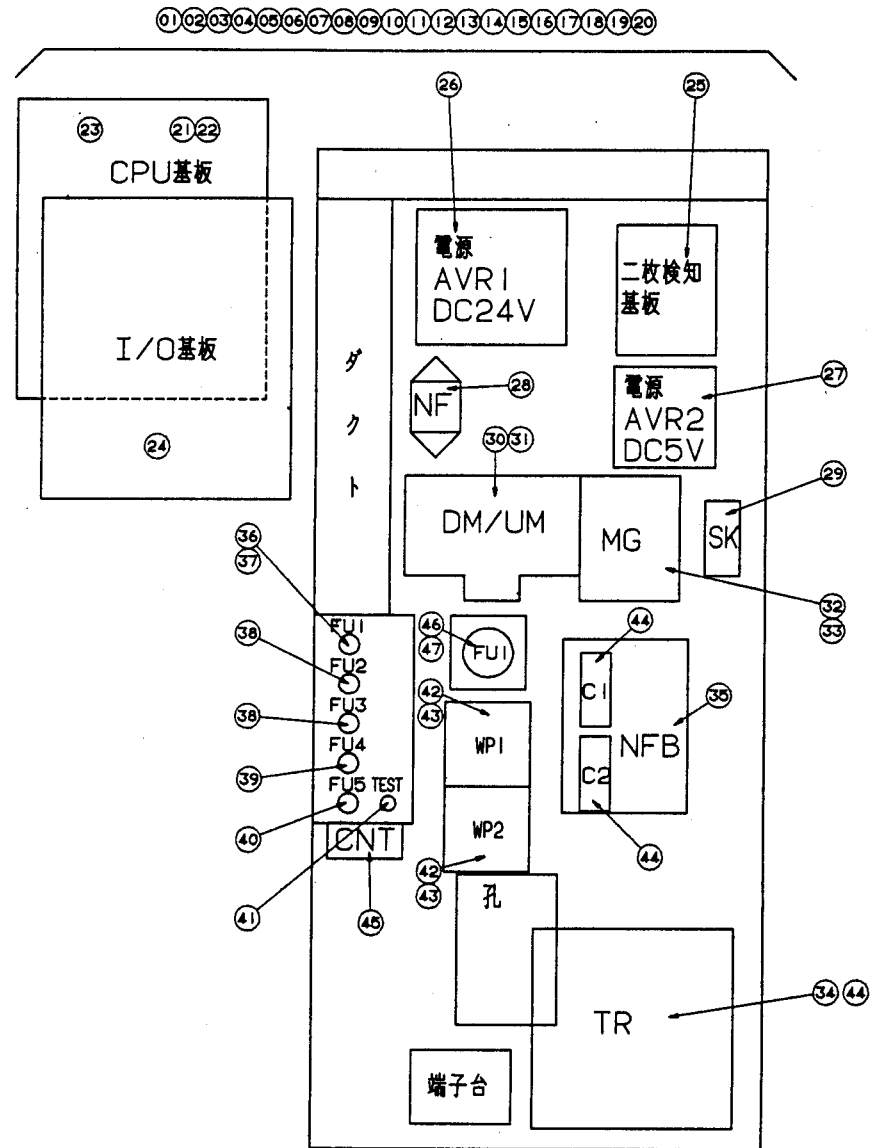
Operation Panel (CT-2L108~, CT-3B113~)
(C48, C48L) - New Type

INDEX No.	Parts No.	Description (Remarks)	Unit Per Assy								
			C48	C48L	C48SF	-SF C48L	C248E	C248L	-SF C248E	-SF C248L	
01	E51-89-1D-3	Operation Panel Assy (Delivery Side) (OP-S)	1	1	0	0	0	0	0	0	0
02	E51-90-1D-3	Operation Panel Assy (Delivery Side) (NOP-S)	1	0	0	0	0	0	0	0	0
03	E13-95-05-3	Selector Switch (3 Position, Spring Return)	1	1	0	0	0	0	0	0	0
04	E42-12-02-3	7 Segment Led Board	1	1	0	0	0	0	0	0	0
05	E45-02-10-3	Rotary Switch (Digi. SW)	1	1	0	0	0	0	0	0	0
06	E13-95-09-3	Toggle Switch	1	1	0	0	0	0	0	0	0
07	E45-02-09-3	Push Switch	1	1	0	0	0	0	0	0	0
08	E22-35-1B-3	Slide Volume	1	1	0	0	0	0	0	0	0
09	E13-95-07-3	Selector Switch	4	4	0	0	0	0	0	0	0
10	E22-30-3	Volume	1	1	0	0	0	0	0	0	0
11	E45-02-11-3	Toggle Switch	1	1	0	0	0	0	0	0	0
12	E45-02-01-3	Push Switch for Auto LMP	1	1	0	0	0	0	0	0	0
13	E12-55-3	Green Led	1	1	0	0	0	0	0	0	0
14	E45-02-02-3	Cover	1	1	0	0	0	0	0	0	0
15	E13-95-11-3	Push Switch	1	1	0	0	0	0	0	0	0
16	E45-02-03-3	Push Switch (Black Chip)	2	2	0	0	0	0	0	0	0
17	E45-02-04-3	Push Switch (Yellow Chip)	1	1	0	0	0	0	0	0	0
18	E45-02-12-3	Push Switch (Red Chip)	1	1	0	0	0	0	0	0	0
19	E13-47-3	Toggle Switch	1	1	0	0	0	0	0	0	0
20	E45-02-13-3	Toggle Switch	1	1	0	0	0	0	0	0	0
21	E51-90-1E-3	Operation Panel Assy with B. C (Delivery Side) (NOP-S)	1	1	0	0	0	0	0	0	0



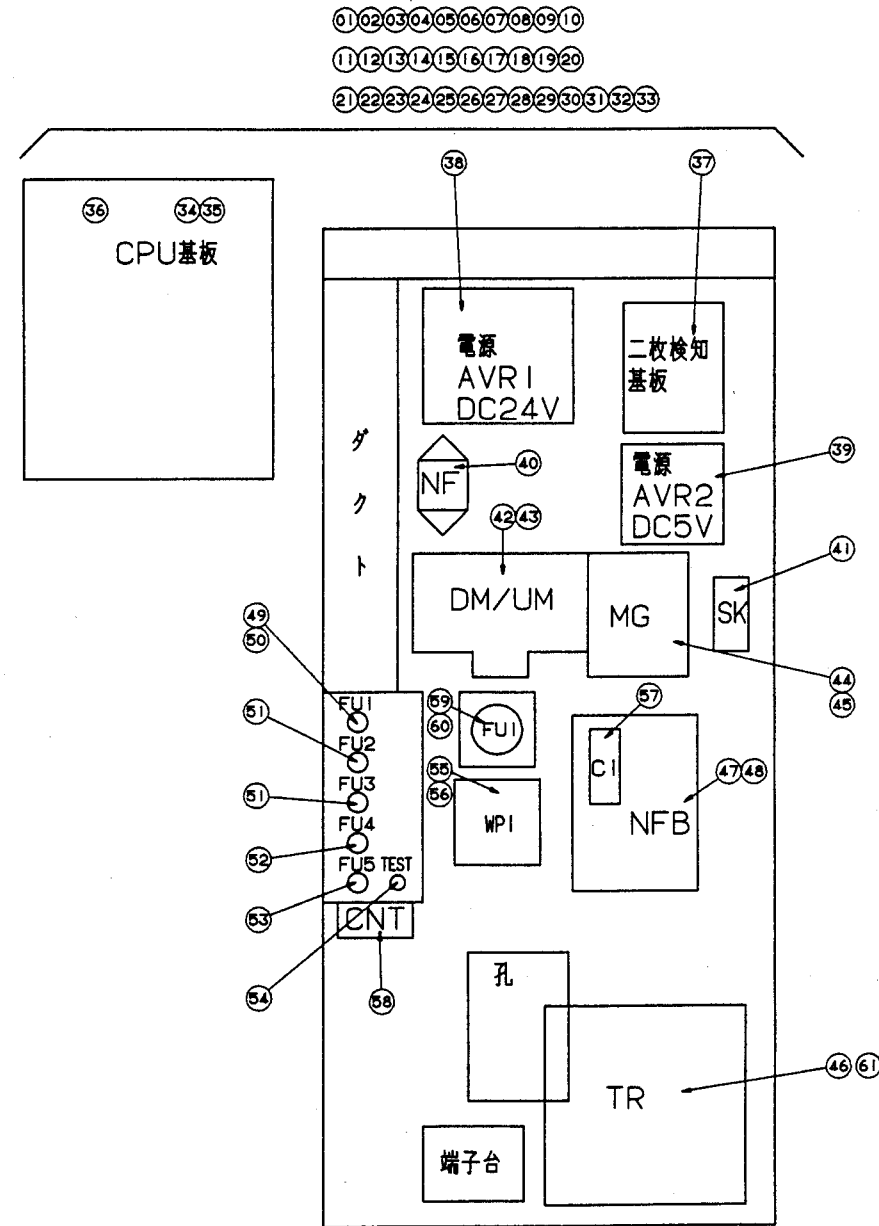
Operation Panel (CT-2L108~, CT-3B113~)
(C48-SF, C48L-SF) - New Type

INDEX No.	Parts No.	Description (Remarks)	Units Per Assy									
			C48	C48L	C48SF	-SF C48L	C248E	C248L	-SF C248E	-SF C248L		
01	E51-89-1D-3	Operation Panel Assy (Delivery Side) (OP-S)	0	0	1	1	0	0	0	0	0	0
02	E51-90-2D-3	Operation Panel Assy (Delivery Side) (NOP-S)	0	0	1	1	0	0	0	0	0	0
03	E13-95-05-3	Selector Switch (3 Position, Spring Return)	0	0	1	1	0	0	0	0	0	0
04	E42-12-02-3	7 Segment Led Board	0	0	1	1	0	0	0	0	0	0
05	E45-02-10-3	Rotary Switch (Digi, SW)	0	0	1	1	0	0	0	0	0	0
06	E13-95-09-3	Toggle Switch	0	0	1	1	0	0	0	0	0	0
07	E45-02-09-3	Push Switch	0	0	1	1	0	0	0	0	0	0
08	E22-35-1B-3	Side Volume	0	0	1	1	0	0	0	0	0	0
09	E13-95-07-3	Selector Switch (3 Position)	0	0	4	4	0	0	0	0	0	0
10	E22-30-3	Volume	0	0	1	1	0	0	0	0	0	0
11	E45-02-11-3	Toggle Switch	0	0	1	1	0	0	0	0	0	0
12	E13-95-11-3	Push Switch	0	0	1	1	0	0	0	0	0	0
13	E45-02-01-3	Push Switch for Auto L.MP	0	0	1	1	0	0	0	0	0	0
14	E12-55-3	Green Led	0	0	1	1	0	0	0	0	0	0
15	E45-02-02-3	Cover	0	0	1	1	0	0	0	0	0	0
16	E45-02-04-3	Push Switch (Yellow Chip)	0	0	1	1	0	0	0	0	0	0
17	E45-02-03-3	Push Switch (Black Chip)	0	0	2	2	0	0	0	0	0	0
18	E45-02-12-3	Push Switch (Red Chip)	0	0	1	1	0	0	0	0	0	0
19	E13-47-3	Toggle Switch	0	0	2	2	0	0	0	0	0	0
20	E45-02-13-3	Toggle Switch	0	0	1	1	0	0	0	0	0	0
21	E51-90-2E-3	Operation Panel Assy with B. C (Delivery Side) (NOP-S)	0	0	1	1	0	0	0	0	0	0



Control Box (CT-2L108~, CT-3B113~)
(C248 Series) - New Type

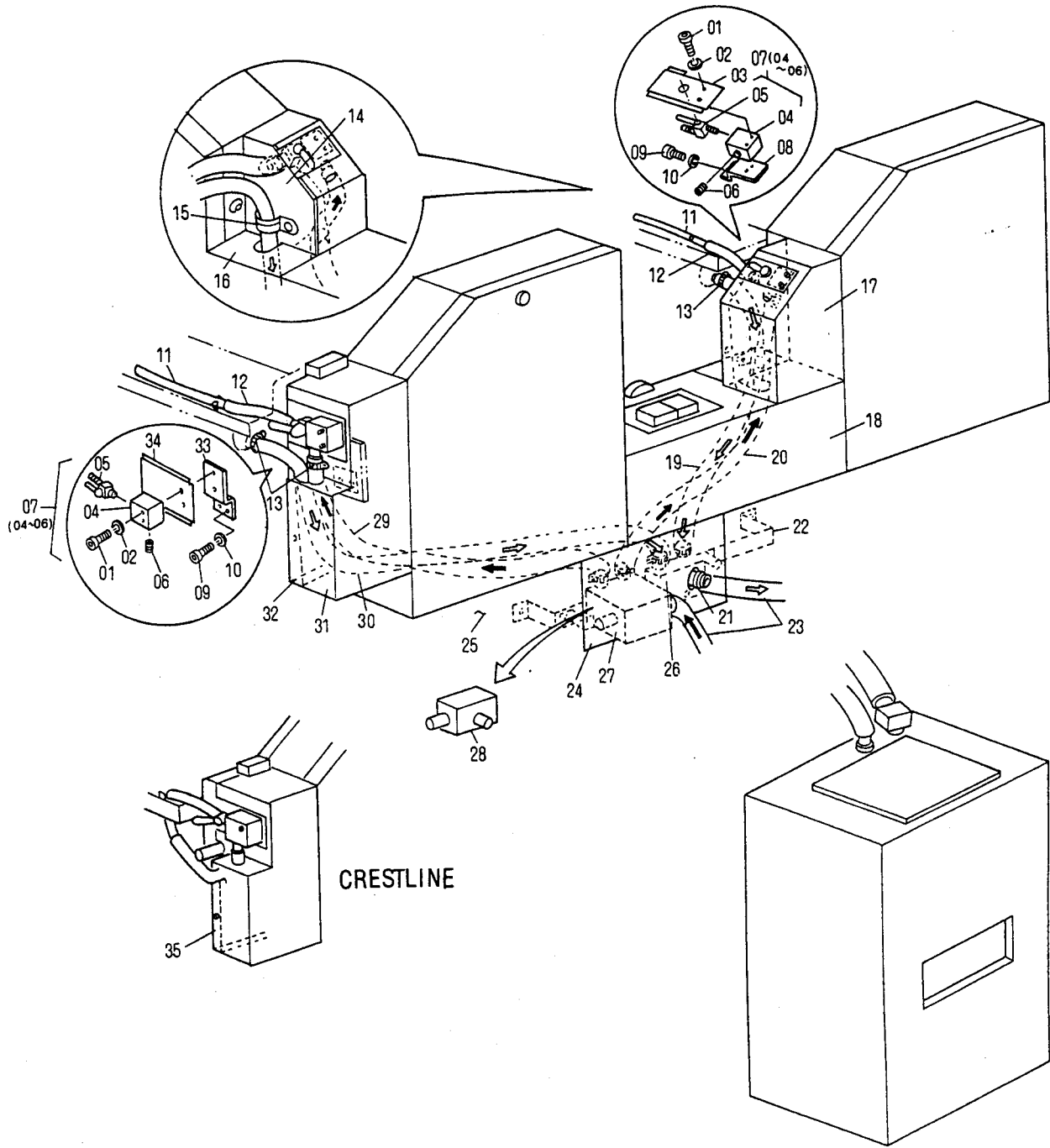
INDEX No.	Parts No.	Description (Remarks)	Unit Per Assy							
			C48	C48L	C48SF	-SF C48L	C248E	C248L	-SF C248E	-SF C248L
01	E46-04-1E-3	Control Box with B. C (1200V)	0	0	0	0	1	0	0	0
02	E46-04-1F-3	Control Box with B. C (1200V)	0	0	0	0	0	1	0	0
03	E46-04-2E-3	Control Box with B. C (1220V)	0	0	0	0	1	0	0	0
04	E46-04-2F-3	Control Box with B. C (1220V) (for L, EX Type)	0	0	0	0	0	1	0	0
05	E46-04-3E-3	Control Box with B. C (1380/415V)	0	0	0	0	1	0	0	0
06	E46-04-3F-3	Control Box with B. C (1380/415V)	0	0	0	0	0	1	0	0
07	E46-04-4E-3	Control Box (1200V)	0	0	0	0	1	0	0	0
08	E46-04-5E-3	Control Box (1220V)	0	0	0	0	1	0	0	0
09	E46-04-4F-3	Control Box (1220V) (for EX Type)	0	0	0	0	0	0	0	0
10	E46-04-6E-3	Control Box (1380/415V)	0	0	0	0	1	0	0	0
11	E46-05-1E-3	Control Box with B. C (1200V)	0	0	0	0	0	0	1	0
12	E46-05-1F-3	Control Box with B. C (1200V)	0	0	0	0	0	0	0	1
13	E46-05-2E-3	Control Box with B. C (1220V)	0	0	0	0	0	0	1	0
14	E46-05-2F-3	Control Box with B. C (1220V)	0	0	0	0	0	0	0	1
15	E46-05-3E-3	Control Box with B. C (1380/415V)	0	0	0	0	0	0	1	0
16	E46-05-3F-3	Control Box with B. C (1380/415V)	0	0	0	0	0	0	0	1
17	E46-05-4E-3	Control Box (1200V)	0	0	0	0	0	0	1	0
18	E46-05-5E-3	Control Box (1220V)	0	0	0	0	0	0	1	0
19	E46-05-4F-3	Control Box (1220V) (for EX Type)	0	0	0	0	0	0	0	0
20	E46-05-6E-3	Control Box (1380/415V)	0	0	0	0	0	0	1	0
21	E42-28-01-3	EP-ROM	0	0	0	0	1	1	0	0
22	E42-29-01-3	EP-ROM	0	0	0	0	0	0	1	1
23	E42-26-01-3	CPU Board	0	0	0	0	1	1	1	1
24	E42-26-02-3	I/O Board	0	0	0	0	1	1	1	1
25	E26-70-01-3	Amplifier	0	0	0	0	0	0	1	1
26	E19-24-3	Power Board (D. C. 20V, 24V)	0	0	0	0	1	1	1	1
27	E19-23-3	Switching Regulator (D. C. 5V)	0	0	0	0	1	1	1	1
28	E21-22-3	Noise Filter	0	0	0	0	1	1	1	1
29	E21-23-3	Surge Killer	0	0	0	0	1	1	1	1
30	E03-39-3	Magnet Switch (200V)	0	0	0	0	1	1	1	1
31	E03-38-3	Magnet Switch (380/415V)	0	0	0	0	1	1	1	1
32	E03-35-3	Magnet Switch (200V)	0	0	0	0	1	1	1	1
33	E03-36-3	Magnet Switch (380/415V)	0	0	0	0	1	1	1	1
34	E20-45-3	Transformer (200V)	0	0	0	0	1	1	1	1
35	E02-18-3	Nofuse Breaker	0	0	0	0	1	1	1	1
36	E05-41-3	Fuse Holder	0	0	0	0	5	5	5	5
37	E05-12-3	Glass Tubing Fuse (3A)	0	0	0	0	1	1	1	1
38	E05-11-3	Glass Tubing Fuse (5A)	0	0	0	0	2	2	2	2
39	E05-13-3	Glass Tubing Fuse (2A)	0	0	0	0	1	1	1	1
40	E05-14-3	Glass Tubing Fuse (1A)	0	0	0	0	1	1	1	1
41	E45-05-3	Toggle Switch	0	0	0	0	1	1	1	1
42	E42-17-3	Control Unit for Dampening Motor	0	0	0	0	2	2	2	2
43	E16-15-3	Socket	0	0	0	0	2	2	2	2
44	E08-09-3	Capacitor	0	0	0	0	2	2	2	2
45	E09-56-3	Magnetic Counter	0	0	0	0	1	1	1	1
46	E05-39-3	Fuse Holder (380/415V)	0	0	0	0	1	1	1	1
47	E05-38-3	Fuse (380/415V)	0	0	0	0	1	1	1	1
48	E20-46-3	Transformer (380/415V)	0	0	0	0	1	1	1	1



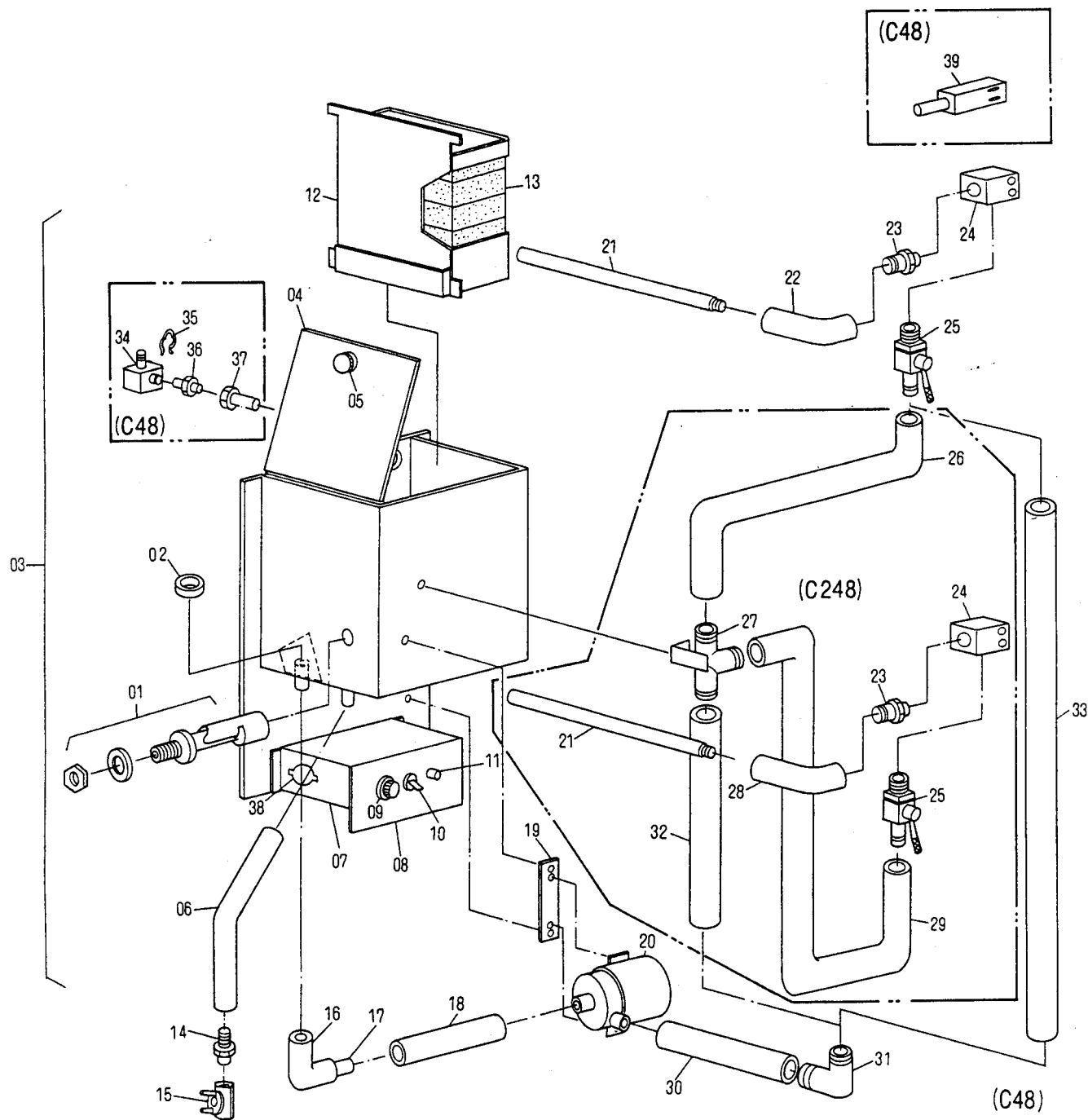
- ①②③④⑤⑥⑦⑧⑨⑩
- ⑪⑫⑬⑭⑮⑯⑰⑱⑲⑳
- ㉑㉒㉓㉔㉕㉖㉗㉘㉙㉚㉛㉜㉝

Control Box (CT-2L108~, CT-3B113~)
(C48 Series) - New Type

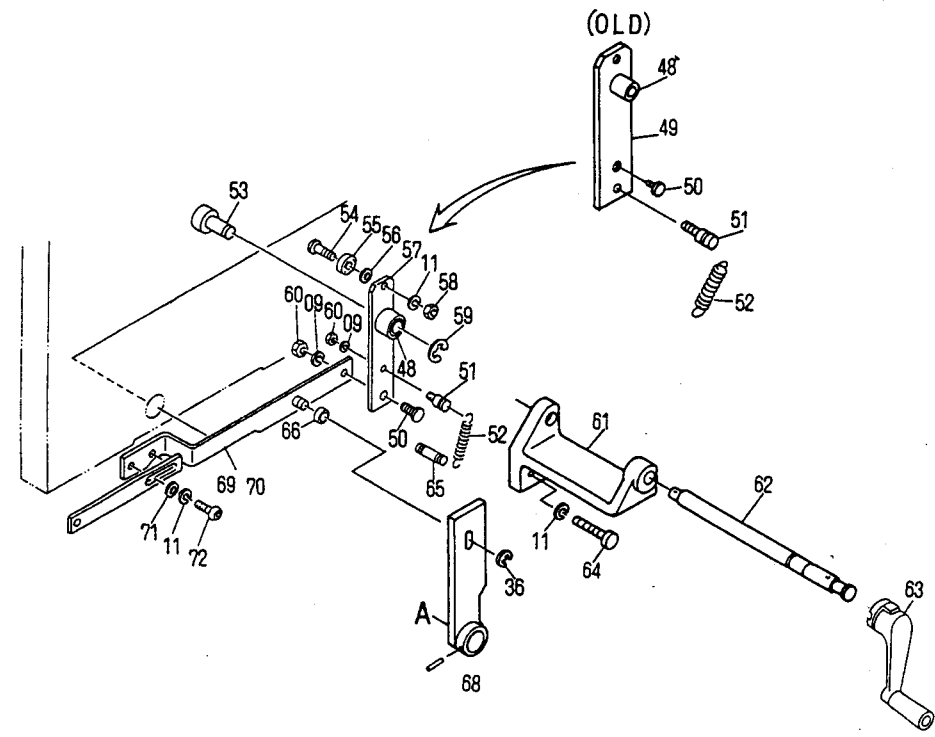
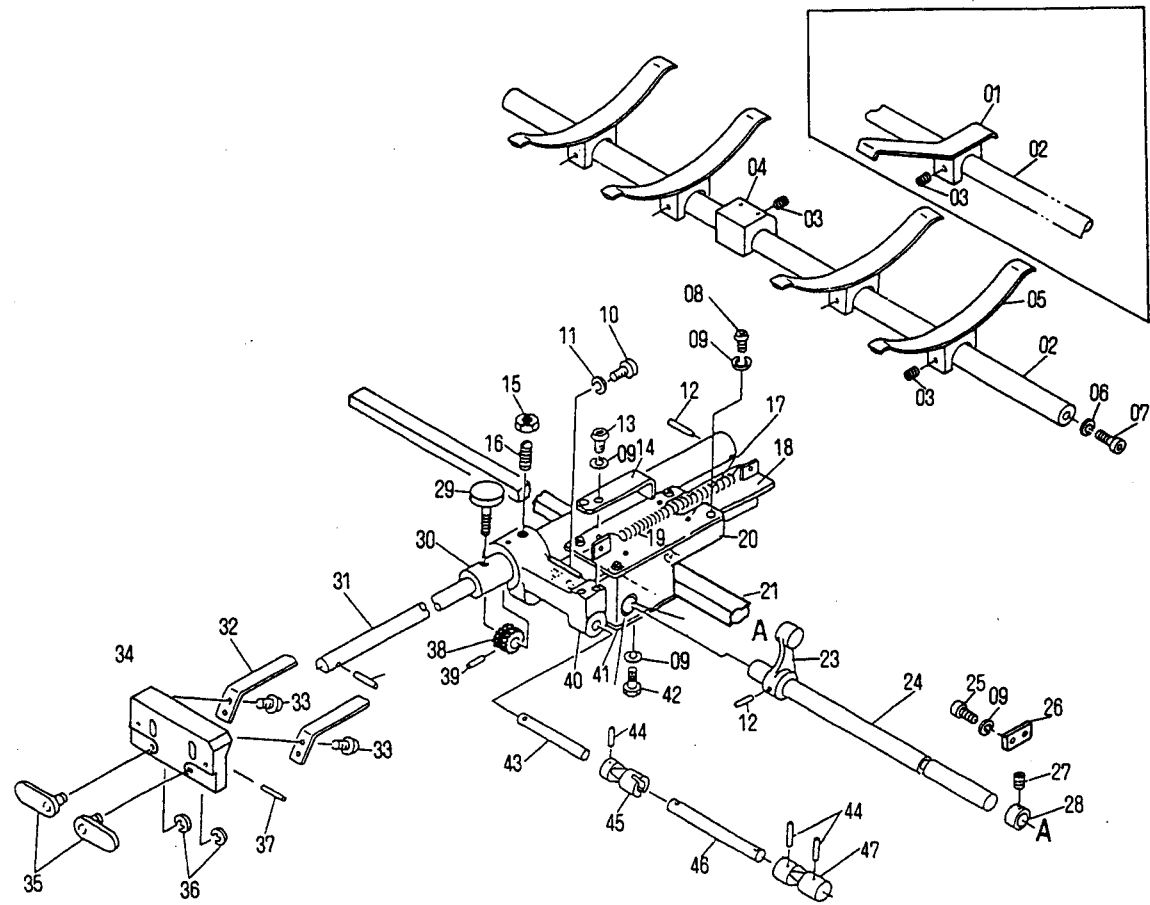
INDEX No.	Parts No.	Description (Remarks)									
			C48	C48L	C48SF	-SF C48L	C248E	C248L	-SF C248E	-SF C248L	
01	E46-06-4E-3	Control Box with B. C (T415V)	1	0	0	0	0	0	0	0	0
02	E46-06-4F-3	Control Box with B. C (T415V)	0	1	0	0	0	0	0	0	0
03	E46-06-5E-3	Control Box (T200V)	1	0	0	0	0	0	0	0	0
04	E46-06-6E-3	Control Box (T220V)	1	0	0	0	0	0	0	0	0
05	E46-06-5F-3	Control Box (T220V) (for EX Type)	0	0	0	0	0	0	0	0	0
06	E46-06-7E-3	Control Box (T380V)	1	0	0	0	0	0	0	0	0
07	E46-06-8E-3	Control Box (T415V)	1	0	0	0	0	0	0	0	0
08	E46-06-9E-3	Control Box with B. C (S220V)	1	0	0	0	0	0	0	0	0
09	E46-06-6F-3	Control Box with B. C (S220V) (for L, EX Type)	0	1	0	0	0	0	0	0	0
10	E46-06-AE-3	Control Box with B. C (S240V)	1	0	0	0	0	0	0	0	0
11	E46-06-7F-3	Control Box with B. C (S240V)	0	1	0	0	0	0	0	0	0
12	E46-06-BE-3	Control Box (S220V)	1	0	0	0	0	0	0	0	0
13	E46-06-8F-3	Control Box (S220V) (for EX Type)	0	1	0	0	0	0	0	0	0
14	E46-06-CE-3	Control Box (S240V)	1	0	0	0	0	0	0	0	0
15	E46-06-1E-3	Control Box with B. C (T200V)	1	0	0	0	0	0	0	0	0
16	E46-06-1F-3	Control Box with B. C (T200V)	0	1	0	0	0	0	0	0	0
17	E46-06-2E-3	Control Box with B. C (T220V)	1	0	0	0	0	0	0	0	0
18	E46-06-2F-3	Control Box with B. C (T220V)	0	1	0	0	0	0	0	0	0
19	E46-06-3E-3	Control Box with B. C (T380V)	1	0	0	0	0	0	0	0	0
20	E46-06-3F-3	Control Box with B. C (T380V)	0	1	0	0	0	0	0	0	0
21	E46-07-1E-3	Control Box with B. C (T200V)	0	0	1	0	0	0	0	0	0
22	E46-07-1F-3	Control Box with B. C (T200V)	0	0	0	1	0	0	0	0	0
23	E46-07-2E-3	Control Box with B. C (T220V)	0	0	1	0	0	0	0	0	0
24	E46-07-2F-3	Control Box with B. C (T220V) (for L, EX Type)	0	0	0	1	0	0	0	0	0
25	E46-07-3E-3	Control Box with B. C (T380V)	0	0	1	0	0	0	0	0	0
26	E46-07-3F-3	Control Box with B. C (T380V)	0	0	0	1	0	0	0	0	0
27	E46-07-4E-3	Control Box with B. C (T415V)	0	0	1	0	0	0	0	0	0
28	E46-07-4F-3	Control Box with B. C (T415V)	0	0	0	1	0	0	0	0	0
29	E46-07-5E-3	Control Box (T200V)	0	0	1	1	0	0	0	0	0
30	E46-07-6E-3	Control Box (T220V)	0	0	1	1	0	0	0	0	0
31	E46-07-5F-3	Control Box (T220V) (for EX Type)	0	0	0	0	0	0	0	0	0
32	E46-07-7E-3	Control Box (T380V)	0	0	1	0	0	0	0	0	0
33	E46-07-8E-3	Control Box (T415V)	0	0	1	0	0	0	0	0	0
34	E42-30-01-3	EP-ROM	1	1	0	0	0	0	0	0	0
35	E42-31-01-3	EP-ROM	0	0	1	1	0	0	0	0	0
36	E42-27-01-3	CPU Board	1	1	1	1	0	0	0	0	0
37	E26-70-01-3	Amplifier	0	0	1	1	0	0	0	0	0
38	E19-24-3	Power Board (D. C. 20V, 24V)	1	1	1	1	0	0	0	0	0
39	E19-23-3	Switching Regulator (D. C. 5V)	1	1	1	1	0	0	0	0	0
40	E21-22-3	Noise Filter	1	1	1	1	0	0	0	0	0
41	E21-23-3	Surge Killer	1	1	1	1	0	0	0	0	0
42	E03-39-3	Magnet Switch (200V)	1	1	1	1	0	0	0	0	0
43	E03-38-3	Magnet Switch (380/415V)	1	1	1	1	0	0	0	0	0
44	E03-35-3	Magnet Switch (200V)	1	1	1	1	0	0	0	0	0
45	E03-36-3	Magnet Switch (380/415V)	1	1	1	1	0	0	0	0	0
46	E20-48-3	Transformer (200V)	1	1	1	1	0	0	0	0	0
47	E02-19-3	Nofuse Breaker (200V)	1	1	1	1	0	0	0	0	0
48	E02-22-3	Nofuse Breaker (380/415V)	1	1	1	1	0	0	0	0	0
49	E05-41-3	Fuse Holder	5	5	5	5	0	0	0	0	0
50	E05-12-3	Glass Tubing Fuse (3A)	1	1	1	1	0	0	0	0	0
51	E05-11-3	Glass Tubing Fuse (5A)	2	2	2	2	0	0	0	0	0
52	E05-13-3	Glass Tubing Fuse (2A)	1	1	1	1	0	0	0	0	0
53	E05-14-3	Glass Tubing Fuse (1A)	1	1	1	1	0	0	0	0	0
54	E45-05-3	Toggle Switch	1	1	1	1	0	0	0	0	0
55	E42-17-3	Control Unit for Dampening Motor	2	2	2	2	0	0	0	0	0
56	E16-15-3	Socket	2	2	2	2	0	0	0	0	0
57	E08-09-3	Capacitor	2	2	2	2	0	0	0	0	0
58	E09-56-3	Magnetic Counter	1	1	1	1	0	0	0	0	0
59	E05-39-3	Fuse Holder (380/415V)	1	1	1	1	0	0	0	0	0
60	E05-38-3	Fuse (380/415V)	1	1	1	1	0	0	0	0	0
61	E20-49-3	Transformer (380/415V)	1	1	1	1	0	0	0	0	0



INDEX No.	Parts No.	Description (Remarks)								
			C48	C48L	C48SF	-SF C48L	C248E	C248L	-SF C248E	-SF C248L
01	117-532.01	Screw	-	2	-	2	-	4	-	4
02	180-105.01	Lock Washer	-	2	-	2	-	4	-	4
03	7203-16143	Cover	-	1	-	1	-	1	-	1
04	7203-16369	Hose Joint Bracket	-	1	-	1	-	2	-	2
05	W-107-1	Valve	-	1	-	1	-	2	-	2
06	6703-11009	Nipple	-	1	-	1	-	2	-	2
07	7203-16369A	Hose Joint Bracket Assy (04 - 06)	-	1	-	1	-	2	-	2
08	7203-16418	Bracket (C48, C248-2P)	-	1	-	1	-	1	-	1
09	125-708	Screw	-	2	-	2	-	4	-	4
10	180-105	Lock Washer	-	2	-	2	-	4	-	4
11	W-110	Nozzle	-	1	-	1	-	2	-	2
12	7203-16413	Hose	-	1	-	1	-	2	-	2
13	6703-11016	Hose Band	-	2	-	2	-	8	-	8
14	7205-02147	Cover (C48, C248-2P)	-	1	-	1	-	1	-	1
15	B08-14-01-3	Hose Band	-	1	-	1	-	1	-	1
16	7205-02150	Cover (C248-2P)	-	0	-	0	-	1	-	1
17	7205-02144	Cover (C248-2P)	-	0	-	0	-	1	-	1
18	7205-02151	Cover	-	0	-	0	-	1	-	1
19	7203-16461	Hose	-	0	-	0	-	1	-	1
20	7203-16460	Hose	-	0	-	0	-	1	-	1
21	H13-30-3	Nipple Included in 26, 27, 28	-	0	-	0	-	6	-	6
22	7203-16416	Bracket	-	0	-	0	-	1	-	1
23	7203-16463	Hose	-	0	-	0	-	2	-	2
24	7205-02148	Cover	-	0	-	0	-	1	-	1
25	7205-02149	Cover	-	0	-	0	-	1	-	1
26	7203-16378A	Hose Joint Bracket Assy	-	1	-	1	-	1	-	1
27	7203-16381A	Hose Joint Bracket Assy (Old Type)	-	0	-	0	-	1	-	1
28	7203-16457A	Hose Joint Bracket Assy (New Type)	-	0	-	0	-	1	-	1
29	7203-16458	Hose	-	0	-	0	-	1	-	1
30	7203-16459	Hose	-	0	-	0	-	1	-	1
31	7205-02145	Cover	-	0	-	0	-	1	-	1
32	7205-02146	Cover	-	0	-	0	-	1	-	1
33	7203-16417	Bracket (C248-1P)	-	0	-	0	-	1	-	1
34	7205-02142	Cover (C248-1P)	-	0	-	0	-	1	-	1
35	7205-20014	Cover (C248-1P, CRESTLINE)	-	0	-	0	-	0	-	0



INDEX No.	Parts No.	Description (Remarks)										
			C48	C48L	C48SF	-SF C48L	C248E	C248L	-SF C248E	-SF C248L		
01	7203-16465	Floating Switch Assy	-	1	-	1	-	1	-	1	-	1
02	7203-16466	Filter	-	1	-	1	-	1	-	1	-	1
03	7203-16420A	Water Circulator Assy (01, 02, 04 ~ 37)	-	1	-	1	-	1	-	1	-	1
04	7203-16467	Cover	-	1	-	1	-	1	-	1	-	1
05	7203-16468	Knob	-	1	-	1	-	1	-	1	-	1
06	7203-16469	Hose	-	1	-	1	-	1	-	1	-	1
07	7203-16470	Control Box	-	1	-	1	-	1	-	1	-	1
08	7203-16471	Operation Panel	-	1	-	1	-	1	-	1	-	1
09	7203-16472	Fuse Holder	-	1	-	1	-	1	-	1	-	1
10	7203-16473	Switch	-	1	-	1	-	1	-	1	-	1
11	7203-16474	Lamp	-	1	-	1	-	1	-	1	-	1
12	7203-16475	Filter Case	-	1	-	1	-	1	-	1	-	1
13	5803-11058	Filter	-	1	-	1	-	1	-	1	-	1
14	7203-16476	Hose Nipple	-	1	-	1	-	1	-	1	-	1
15	7203-16477	Hose Valve	-	1	-	1	-	1	-	1	-	1
16	7203-16478	Elbow	-	1	-	1	-	1	-	1	-	1
17	7203-16479	Hose Nipple	-	1	-	1	-	1	-	1	-	1
18	7203-16480	Pump Hose	-	1	-	1	-	1	-	1	-	1
19	7203-16481	Spacer	-	1	-	1	-	1	-	1	-	1
20	7203-16482	Pump	-	1	-	1	-	1	-	1	-	1
21	7203-16483	Pipe	-	1	-	1	-	2	-	2	-	2
22	7203-16484	Hose	-	1	-	1	-	2	-	2	-	2
23	7203-16499	Nipple	-	0	-	0	-	2	-	2	-	2
24	7203-16500	Block	-	0	-	0	-	2	-	2	-	2
25	W-107-01	Cock	-	1	-	1	-	2	-	2	-	2
26	7203-16486	Hose	-	0	-	0	-	1	-	1	-	1
27	7203-16487	Joint	-	0	-	0	-	1	-	1	-	1
28	7203-16488	Hose	-	0	-	0	-	1	-	1	-	1
29	7203-16489	Hose	-	0	-	0	-	1	-	1	-	1
30	7203-16490	Hose	-	0	-	0	-	1	-	1	-	1
31	7203-16491	Elbow	-	1	-	1	-	1	-	1	-	1
32	7203-16492	Hose	-	0	-	0	-	1	-	1	-	1
33	7203-16493	Hose	-	1	-	1	-	0	-	0	-	0
34	7203-16494	Bracket	-	1	-	1	-	0	-	0	-	0
35	7203-16495	Snup Pin	-	1	-	1	-	0	-	0	-	0
36	7203-16496	Joint	-	1	-	1	-	0	-	0	-	0
37	7203-16497	Filter Pipe Assy	-	1	-	1	-	0	-	0	-	0
38	7203-16498	Buzzer	-	1	-	1	-	1	-	1	-	1
39	7203-16485	Cock Assy	-	1	-	1	-	0	-	0	-	0



INDEX No.	Parts No.	Description (Remarks)	Unit Per Assy							
			C48	C48L	C48SF	-SF C48L	C248E	C248L	-SF C248E	-SF C248L
01	7204-02056	Paper Guide	4	4	4	4	0	0	0	0
02	7204-01006	Shaft	1	1	1	1	1	1	1	1
03	145-356	Set Screw	4	4	4	4	4	4	4	4
04	7201-01012	Blam-JAM Bracket	1	1	1	1	1	1	1	1
05	7204-02033	Paper Guide	0	0	0	0	4	4	4	4
06	180-108	Lock Washer	2	2	2	2	2	2	2	2
07	117-483	Screw	2	2	2	2	2	2	2	2
08	125-710	Screw	4	4	4	4	4	4	4	4
09	180-105	Lock Washer	9	9	9	9	9	9	9	9
10	117-362	Screw	2	2	2	2	2	2	2	2
11	180-106	Lock Washer	8	8	8	8	8	8	8	8
12	183-206	Roll Pin	2	2	2	2	2	2	2	2
13	125-712	Screw	1	1	1	1	1	1	1	1
14	CH03-05	Bracket	1	1	1	1	1	1	1	1
15	170-108	Nut	1	1	1	1	1	1	1	1
16	I18-59-1A-3	Snubber	1	1	1	1	1	1	1	1
17	7204-03046	Back Guide Slider Cover	1	1	1	1	1	1	1	1
18	5104-03003	Back Guide Slider	1	1	1	1	1	1	1	1
19	5104-03028	Spring	1	1	1	1	1	1	1	1
20	7204-03045C	Back Guide Bracket	1	1	1	1	1	1	1	1
21	7204-03044	Back Jogger Stay	1	1	1	1	1	1	1	1
22	A03-31-3	Bushing	Included in 20							
23	A04-22-3	Back Guide Arm	1	1	1	1	1	1	1	1
24	7204-03048	Delivery Shaft	1	1	1	1	1	1	1	1
25	117-510	Screw	2	2	2	2	2	2	2	2
26	7204-03049	Stopper	1	1	1	1	1	1	1	1
27	145-355	Set Screw	1	1	1	1	1	1	1	1
28	185-1212.01	Collar	1	1	1	1	1	1	1	1
29	CH03-60	Thumb Screw	1	1	1	1	1	1	1	1
30	5104-03001	Rack	1	1	1	1	1	1	1	1
31	5104-03002	Rack Guide Shaft	1	1	1	1	1	1	1	1
32	5104-03005	Paper Guide	2	2	2	2	2	2	2	2
33	125-656	Screw	2	2	2	2	2	2	2	2
34	5104-03025	Back Guide	1	1	1	1	1	1	1	1
35	DJ-60-1A	Guide Piece	2	2	2	2	2	2	2	2
36	181-406	E-Ring	3	3	3	3	3	3	3	3
37	183-186	Roll Pin	1	1	1	1	1	1	1	1
38	HC03-03	Pinion	1	1	1	1	1	1	1	1
39	183-182	Roll Pin	1	1	1	1	1	1	1	1
40	CH03-53	Back Guide Slide Bracket	1	1	1	1	1	1	1	1
41	7204-03047	Mounting Plate	1	1	1	1	1	1	1	1
42	101-512	Screw	2	2	2	2	2	2	2	2
43	CH03-44	Pinion Shaft	1	1	1	1	1	1	1	1
44	183-183	Roll Pin	4	4	4	4	4	4	4	4
45	A19-56-3	Coupling	1	1	1	1	1	1	1	1
46	7204-03050	Pinion Shaft	1	1	1	1	1	1	1	1
47	A05-09-3	Coupling	1	1	1	1	1	1	1	1
48	243-615	Bushing	Included in 49, 57							
49	7204-03005B	Lever	Old Type							
50	7204-03014	Screw	1	1	1	1	1	1	1	1
51	CH03-06	Pin	1	1	1	1	1	1	1	1
52	5201-11031	Spring	1	1	1	1	1	1	1	1
53	7204-03025	Stud	1	1	1	1	1	1	1	1
54	7204-03026	Bearing Pin	1	1	1	1	1	1	1	1
55	250-126.6	Bearing	1	1	1	1	1	1	1	1
56	184-106.3	Flat Washer	1	1	1	1	1	1	1	1
57	7204-03055B	Lever	New Type							
58	170-106	Nut	1	1	1	1	1	1	1	1
59	181-408	E-Ring	1	1	1	1	1	1	1	1
60	170-105	Nut	2	2	2	2	2	2	2	2
61	5804-04025	Bracket	1	1	1	1	1	1	1	1
62	7204-03051	Shaft	1	1	1	1	1	1	1	1
63	5104-05030A	Handle Assy	1	1	1	1	1	1	1	1
64	117-370	Screw	2	2	2	2	2	2	2	2
65	4808-04029	Pin	1	1	1	1	1	1	1	1
66	7204-03010	Guide Roller	1	1	1	1	1	1	1	1
67	7204-03052	Lever	1	1	1	1	1	1	1	1
68	183-207	Roll Pin	1	1	1	1	1	1	1	1
69	7204-03009A	Link	(C248)	0	0	0	0	1	1	1
70	7204-03004A	Link	(C48)	1	1	1	1	0	0	0

