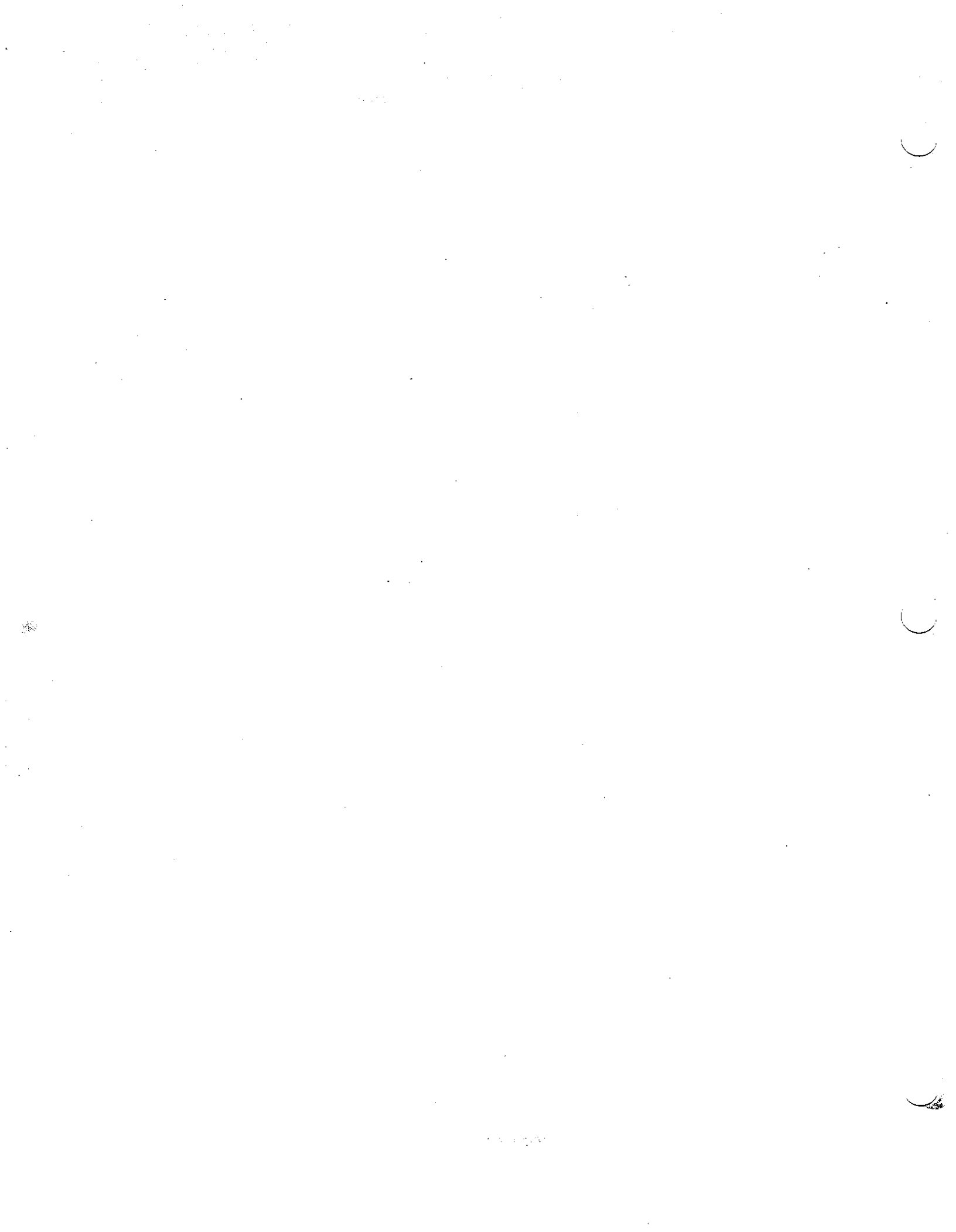


# **3000**

## ***Parts Catalog***

**(Serial #226 and Above)**

**ABDICK.**



# ABDICK®

## PUBLICATION COMMENT SHEET

You are the best judge of this publication's quality. Your comments may help to improve the next version of this manual! Did you find it technically accurate? Was any information missing?

Use the table below to indicate your opinion of this publication. Check the box which corresponds to each aspect of quality. Use the space provided to describe any errors or deficiencies in this publication. Whenever possible, please reference specific page and/or figure numbers.

**Thank you for your time and comments.**

Name	Date	Reply Requested <input type="checkbox"/> Yes <input type="checkbox"/> No
Company	Title of Publication	
Address	Publication Part Number	
Phone	Publication Form Number and Date (Rear Cover)	

Description	Poor	Fair	Good	Excellent
Accuracy .....	<input type="checkbox"/>	<input type="checkbox"/>	<input type="checkbox"/>	<input type="checkbox"/>
Completeness .....	<input type="checkbox"/>	<input type="checkbox"/>	<input type="checkbox"/>	<input type="checkbox"/>
Usefulness of graphics .....	<input type="checkbox"/>	<input type="checkbox"/>	<input type="checkbox"/>	<input type="checkbox"/>
Clearness of language .....	<input type="checkbox"/>	<input type="checkbox"/>	<input type="checkbox"/>	<input type="checkbox"/>
Ease of use .....	<input type="checkbox"/>	<input type="checkbox"/>	<input type="checkbox"/>	<input type="checkbox"/>
Logical organization .....	<input type="checkbox"/>	<input type="checkbox"/>	<input type="checkbox"/>	<input type="checkbox"/>
Your overall impression .....	<input type="checkbox"/>	<input type="checkbox"/>	<input type="checkbox"/>	<input type="checkbox"/>

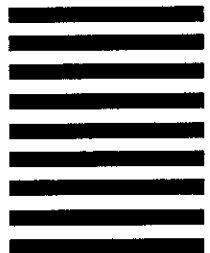
Page #/Figure #	Description of Error or Deficiency

**TEAR ALONG PERFORATIONS THEN FOLD AND TAPE SHEET**

FOLD HERE AND TAPE



NO POSTAGE  
NECESSARY  
IF MAILED  
IN THE  
UNITED STATES



**BUSINESS REPLY MAIL**  
FIRST-CLASS MAIL PERMIT NO. 1877 NILES, IL  
POSTAGE WILL BE PAID BY ADDRESSEE:

ATTN: TECHNICAL MEDIA DEPARTMENT  
**A.B.DICK COMPANY**  
5700 W TOUHY AVE MSN 90  
NILES IL 60714-9873



FOLD HERE AND TAPE



# ABDICK

## PUBLICATION COMMENT SHEET

You are the best judge of this publication's quality. Your comments may help to improve the next version of this manual! Did you find it technically accurate? Was any information missing?

Use the table below to indicate your opinion of this publication. Check the box which corresponds to each aspect of quality. Use the space provided to describe any errors or deficiencies in this publication. Whenever possible, please reference specific page and/or figure numbers.

**Thank you for your time and comments.**

Name	Date	Reply Requested <input type="checkbox"/> Yes <input type="checkbox"/> No
Company	Title of Publication	
Address	Publication Part Number	
Phone	Publication Form Number and Date (Rear Cover)	

Description	Poor	Fair	Good	Excellent
Accuracy .....	<input type="checkbox"/>	<input type="checkbox"/>	<input type="checkbox"/>	<input type="checkbox"/>
Completeness .....	<input type="checkbox"/>	<input type="checkbox"/>	<input type="checkbox"/>	<input type="checkbox"/>
Usefulness of graphics .....	<input type="checkbox"/>	<input type="checkbox"/>	<input type="checkbox"/>	<input type="checkbox"/>
Clearness of language .....	<input type="checkbox"/>	<input type="checkbox"/>	<input type="checkbox"/>	<input type="checkbox"/>
Ease of use .....	<input type="checkbox"/>	<input type="checkbox"/>	<input type="checkbox"/>	<input type="checkbox"/>
Logical organization .....	<input type="checkbox"/>	<input type="checkbox"/>	<input type="checkbox"/>	<input type="checkbox"/>
Your overall impression .....	<input type="checkbox"/>	<input type="checkbox"/>	<input type="checkbox"/>	<input type="checkbox"/>

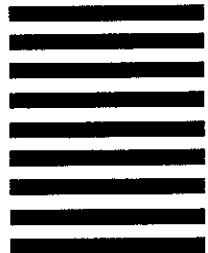
Page #/Figure #	Description of Error or Deficiency

**TEAR ALONG PERFORATIONS THEN FOLD AND TAPE SHEET**

FOLD HERE AND TAPE



NO POSTAGE  
NECESSARY  
IF MAILED  
IN THE  
UNITED STATES



**BUSINESS REPLY MAIL**  
FIRST-CLASS MAIL PERMIT NO. 1877 NILES, IL  
POSTAGE WILL BE PAID BY ADDRESSEE:

ATTN: TECHNICAL MEDIA DEPARTMENT  
**A.B.DICK COMPANY**  
5700 W TOUHY AVE MSN 90  
NILES IL 60714-9873



FOLD HERE AND TAPE

# TABLE OF CONTENTS

---

## - Safety Guards -

OS COVERS -- PART 1 .....	1-1
OS COVERS -- PART 2 .....	1-3
NOS COVERS -- PART 1 .....	1-5
NOS COVERS -- PART 2 .....	1-7
INK AND DAMPENER SAFETY GUARDS .....	1-9
IMPRESSION AND TOWER ONE SAFETY GUARDS .....	1-11
CHAIN DELIVERY SAFETY GUARDS .....	1-13

## - Cranks, Handles, and Knobs -

CRANKS, HANDLES, AND KNOBS .....	2-1
----------------------------------	-----

## - Towers -

ROLLER CONFIGURATION .....	3-1
ROLLER CLEANUP ATTACHMENT .....	3-3
INK FOUNTAIN ROLLER ASSEMBLY .....	3-5
INK TRANSFER ROLLER/THIRD INK FORM ROLLER .....	3-7
FIRST INK OSCILLATING ROLLER/FIRST & SECOND INK FORM ROLLERS .....	3-9
FIRST INK OSCILLATING ROLLER/TRANSFER ROLLERS .....	3-11
INK DISTRIBUTOR ROLLER/RIDER ROLLER BRACKET .....	3-13
BRACKET ASSEMBLY .....	3-15
OSCILLATING AND FORM ROLLER BRACKETS -- PART 1 .....	3-17
OSCILLATING AND FORM ROLLER BRACKETS -- PART 2 .....	3-19
<i>INK DUCTOR SOLENOID</i> .....	<i>3-20</i>
MICRO-SWITCH ASSEMBLY .....	3-21

# TABLE OF CONTENTS

---

DUCTOR ROLLER ASSEMBLY . . . . .	3-23
INK FOUNTAIN RATCHET -- PART 1 . . . . .	3-25
INK FOUNTAIN RATCHET -- PART 2 . . . . .	3-27
DAMPENER . . . . .	3-29
DAMPENER BRACKETS -- PART 1 . . . . .	3-31
DAMPENER BRACKETS -- PART 2 . . . . .	3-33
DAMPENER ROLLERS . . . . .	3-35
OSCILLATING RIDER ROLLER/DAMPENER FORM ROLLER . . . . .	3-37
NIGHT LATCH . . . . .	3-39
FORM ON/OFF LINKAGE . . . . .	3-41
OSCILLATING SHAFT/STEP DOWN SHAFT . . . . .	3-43
OSCILLATOR DRIVE/DAMPENER ON/OFF . . . . .	3-45
MASTER CYLINDER -- PART 1 . . . . .	3-47
MASTER CYLINDER -- PART 2 . . . . .	3-49
BEARING HOUSINGS -- PART 1 . . . . .	3-51
BEARING HOUSINGS -- PART 2 . . . . .	3-53
PLATE CLAMP ASSEMBLY . . . . .	3-55

## *- Oil System -*

OS TOWER . . . . .	4-1
OIL DRIP TRAYS . . . . .	4-3
BASE ELECTRICAL . . . . .	4-5
NOS OILING SYSTEM RESERVOIR . . . . .	4-7

# TABLE OF CONTENTS

---

NOS TOWER -- PART 1 .....	4-9
NOS TOWER -- PART 2 .....	4-11
OS OILING SYSTEM .....	4-13
<i>- Mid Section -</i>	
ANTI-SCUFF UNIT .....	5-1
TRANSFER CYLINDER GRIPPER SHAFT .....	5-3
TRANSFER CYLINDER SHAFT ASSEMBLY .....	5-5
TRANSFER CYLINDER PAPER GUIDES .....	5-7
TRANSFER CYLINDER CAM ASSEMBLY .....	5-9
LINE PNEUMATICS ..... <i>BLACKET SENSOR</i> .....	5-11
THROW ON/OFF LINKAGE (NOS) .....	5-13
PLATE AND PAPER PRESSURE LINKAGE .....	5-15
ATTACHING THE BASE, MID, AND TOWER .....	5-17
IMPRESSION CYLINDER .....	5-19
THROW ON/OFF LINKAGE (OS) .....	5-21
CIRCUMFERENTIAL AND LATERAL ADJUSTMENTS -- PART 1 .....	5-23
CIRCUMFERENTIAL AND LATERAL ADJUSTMENTS -- PART 2 .....	5-25
MID-FRAME ASSEMBLY .....	5-27
LINE PNEUMATICS .....	5-29
OS PNEUMATICS -- AIR VALVES AND FITTINGS .....	5-31
OS PNEUMATICS -- AIR LINES AND FITTINGS .....	5-33
NOS PNEUMATICS -- AIR LINES AND FITTINGS .....	5-35

# TABLE OF CONTENTS

---

NOS PNEUMATICS -- AIR VALVES AND FITTINGS .....	5-37
---	------

## *- Feeder Section -*

CAM FOLLOWER REGISTRATION .....	6-1
STOP FINGER ASSEMBLY .....	6-3
UPPER FORWARDING ROLLER ASSEMBLY .....	6-5
FRONT PAPER GUIDE ASSEMBLY .....	6-7
BLANKET CYLINDER .....	6-9
SIDE LAY REGISTER ASSEMBLY .....	6-11
REGISTRATION SIDE PULLS .....	6-13
REGISTRATION ASSEMBLY .....	6-15
THROW ON/OFF LINKAGE .....	6-17
HEADER TUBE ASSEMBLY .....	6-19
DOUBLES DIVERT ASSEMBLY .....	6-21
PULLOUT ROLLERS .....	6-23
DOUBLES SENSOR .....	6-25
FEED LINK ASSEMBLY .....	6-27
FEED SOLENOID .....	6-29
EMERGENCY STOP SWITCH ASSEMBLY .....	6-31
AIR AND VACUUM CONTROL VALVES .....	6-33
FEEDER DRIVE .....	6-35
VACUUM TIMING SPROCKET .....	6-37
SPROCKET ASSEMBLY .....	6-39

# TABLE OF CONTENTS

---

BAIL BAR SENSOR ASSEMBLY . . . . .	6-41
BAIL BAR ASSEMBLY . . . . .	6-43
BRUSH ASSEMBLIES . . . . .	6-45
CONVEYOR ROLLER . . . . .	6-47
LOWER FEED ROLLER AND GEAR ASSEMBLY . . . . .	6-49
HOLD DOWN STRAPS . . . . .	6-51
SHEET SEPARATOR AND BLOWER . . . . .	6-53
FEEDER CONVEYOR ASSEMBLY -- PART 1 . . . . .	6-55
FEEDER CONVEYOR ASSEMBLY -- PART 2 . . . . .	6-57
PAPER FEED GUIDES -- PART 1 . . . . .	6-59
PAPER FEED GUIDES -- PART 2 . . . . .	6-61
FEED TABLE ASSEMBLY . . . . .	6-63
PAPER GUIDE RAILS . . . . .	6-65
FEEDER SIDE GUIDE SPROCKETS . . . . .	6-67
PAPER GUIDE RAIL CRANKS . . . . .	6-69

## *- Chain Delivery -*

SUPER BLUE . . . . .	7-1
TABLE DESCENT . . . . .	7-3
TRACK ASSEMBLY . . . . .	7-5
CHAIN DELIVERY (NOS FRAME) -- PART 1 . . . . .	7-7
CHAIN DELIVERY (NOS FRAME) -- PART 2 . . . . .	7-9
CHAIN DELIVERY (OS FRAME) -- PART 1 . . . . .	7-11

# TABLE OF CONTENTS

---

CHAIN DELIVERY (OS FRAME) -- PART 2 . . . . .	7-13
WORK LIGHT RETROFIT KIT . . . . .	7-15
CHAIN DELIVERY JOGGER ASSEMBLY . . . . .	7-17
SPROCKET SHAFT ASSEMBLY . . . . .	7-19
BACK JOGGER ADJUSTING SHAFT . . . . .	7-21
JOGGER MECHANISM . . . . .	7-23
GRIPPER BAR . . . . .	7-25
POWDER SPRAY ASSEMBLY -- PART 1 . . . . .	7-27
POWDER SPRAY ASSEMBLY -- PART 2 . . . . .	7-29
CHAIN DELIVERY RATCHET AND WORM GEAR . . . . .	7-31
CHAIN DELIVERY SPROCKET ASSEMBLY . . . . .	7-33
POWDER SPRAY -- POWDER METERING ASSEMBLY . . . . .	7-35
POWDER SPRAY -- SPRAY BAR ASSEMBLY . . . . .	7-37
POWDER SPRAY -- WIRING SUBASSEMBLY . . . . .	7-39
POWDER SPRAY -- SPRAYER SUBASSEMBLY . . . . .	7-41
POWDER SPRAY -- FRAME SUBASSEMBLY . . . . .	7-43
INFRARED/POWDER SPRAY -- COVER . . . . .	7-45
POWDER SPRAY -- PNEUELECTRIC PANEL ASSEMBLY . . . . .	7-47
POWDER SPRAY -- PNEUMATICS ASSEMBLY . . . . .	7-49
INFRARED/POWDER SPRAY -- ELECTRICAL PANEL WIRING . . . . .	7-51
POWDER SPRAY -- CONTROL PANEL ASSEMBLY . . . . .	7-53
INFRARED/POWDER SPRAY -- STRAIN RELIEF BRACKET/IR POWER SWITCH . . . . .	7-55
INFRARED/POWDER SPRAY -- POWER CORD . . . . .	7-57



# TABLE OF CONTENTS

---

POWDER SPRAY -- COMPRESSOR ASSEMBLY ..... 7-59

*- Base -*

MOTOR AND POSITION CONTROL ASSEMBLY ..... 8-1  
HEAT EXCHANGER ASSEMBLY ..... 8-3  
TUBING SCHEMATIC ..... 8-5  
FEEDER ASSEMBLY ..... 8-7  
TANK ASSEMBLY ..... 8-9  
FEEDER PUMP AND COMPRESSOR ASSEMBLY ..... 8-11  
PNEUMATIC AIR COMPRESSOR ..... 8-13  
BASE ASSEMBLY ..... 8-15  
DRIVE MOTOR ..... 8-17

*- Electrical -*

TRANSFORMER ..... 9-1  
BRIDGE CAPACITOR ASSEMBLY ..... 9-3  
BALLAST TRANSFORMER ASSEMBLY ..... 9-5  
FEEDER SWITCH PANEL ASSEMBLY ..... 9-7  
INTER-TOWER SWITCH PANEL ASSEMBLY ..... 9-9  
FEEDER WIRING ..... 9-11  
AIR/VACUUM POWER CORD ..... 9-13  
POWDER SPRAY CHAIN DELIVERY HARNESS ..... 9-15  
DC POWER CABLE ASSEMBLY (OS) ..... 9-17  
DC POWER CABLE ASSEMBLY (NOS) ..... 9-19

# TABLE OF CONTENTS

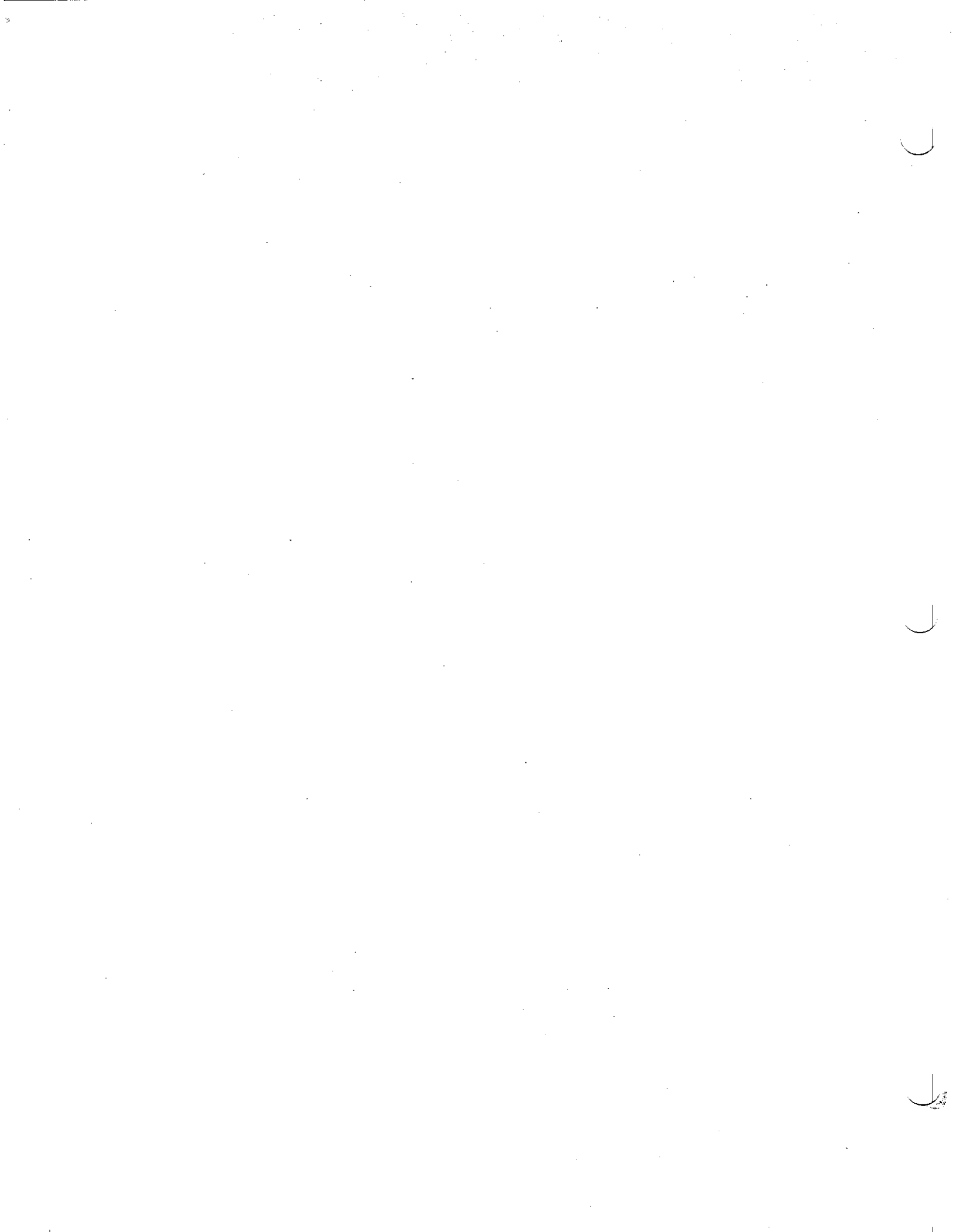
---

INVERTER ASSEMBLY . . . . .	9-21
INCH MONITOR -- DRIVE MOTOR CABLE . . . . .	9-23
DRIVE MOTOR INVERTER ASSEMBLY . . . . .	9-25
PNEUMATIC COMPRESSOR ASSEMBLY . . . . .	9-27
NOS MOTOR DRIVE HARNESS . . . . .	9-29
OS MOTOR DRIVE HARNESS . . . . .	9-31
FEEDER HARNESS (OS) . . . . .	9-33
AC DEVICE CONTROL HARNESS . . . . .	9-35
AIR SOLENOID HARNESS (NOS) . . . . .	9-37
AIR SOLENOID HARNESS (OS) . . . . .	9-39
SENSORS . . . . .	9-41
GUARD SWITCHES (NOS) . . . . .	9-43
GUARD SWITCHES (OS) . . . . .	9-45
ACCESSORY POWER . . . . .	9-47
INTER-TOWER HARNESS . . . . .	9-49
POWER DISTRIBUTION BOX -- PART 1 . . . . .	9-51
POWER DISTRIBUTION BOX -- PART 2 . . . . .	9-53
POWER DISTRIBUTION BOX -- PART 3 . . . . .	9-55
POWER DISTRIBUTION BOX -- PART 4 . . . . .	9-57
POWER DISTRIBUTION BOX -- PART 5 . . . . .	9-59
VDE LINE FILTER ASSEMBLY . . . . .	9-61
CONTROL PANEL -- PART 1 . . . . .	9-63
CONTROL PANEL -- PART 2 . . . . .	9-65

# TABLE OF CONTENTS

---

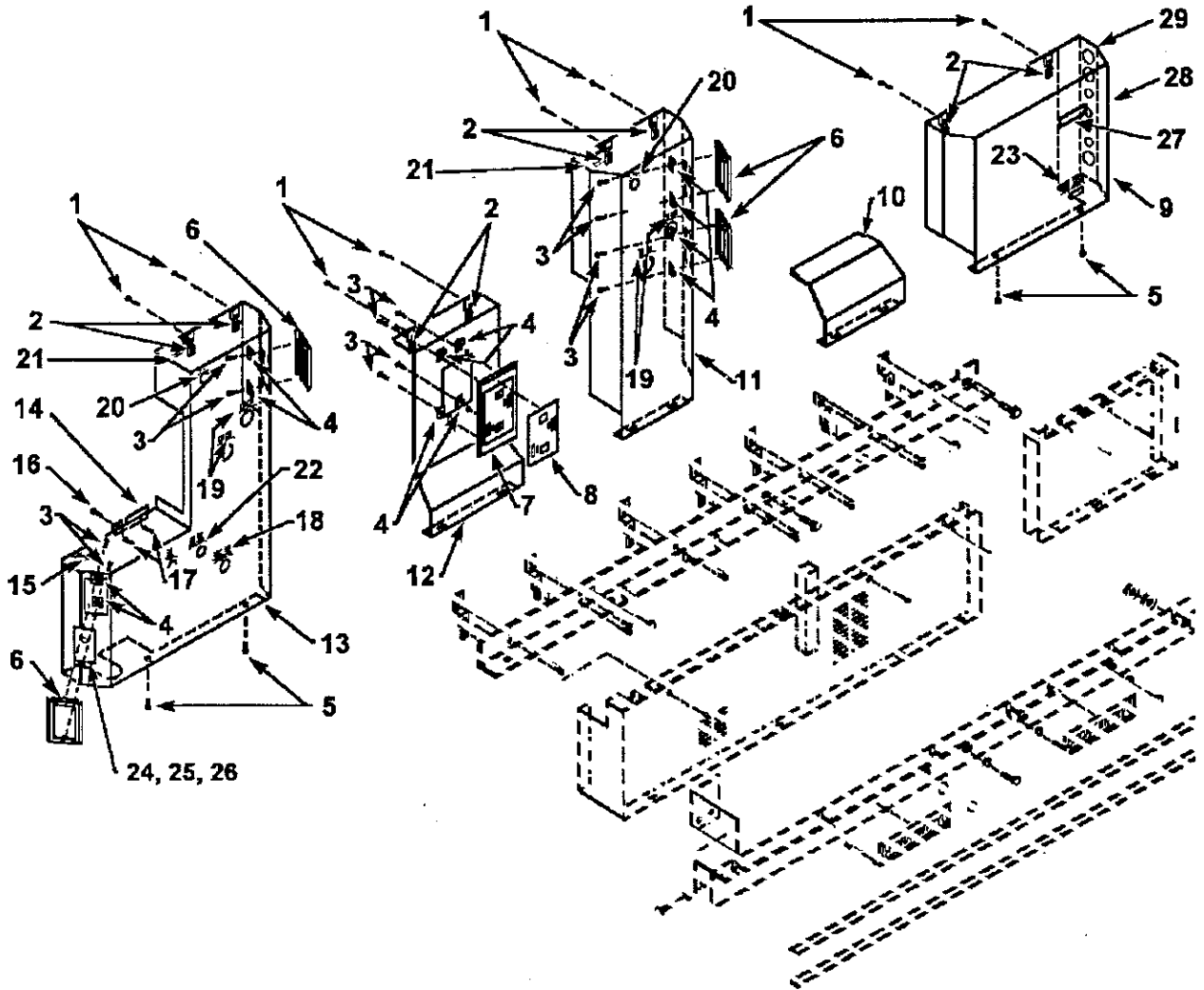
CONTROL PANEL -- PART 3 . . . . .	9-67
CONTROL PANEL -- PART 4 . . . . .	9-69
ELECTRONICS BAY -- PART 1 . . . . .	9-71
ELECTRONICS BAY -- PART 2 . . . . .	9-73
ELECTRONICS BAY -- PART 3 . . . . .	9-75



## ***Covers and Safety Guards***

---

# COVERS AND SAFETY GUARDS

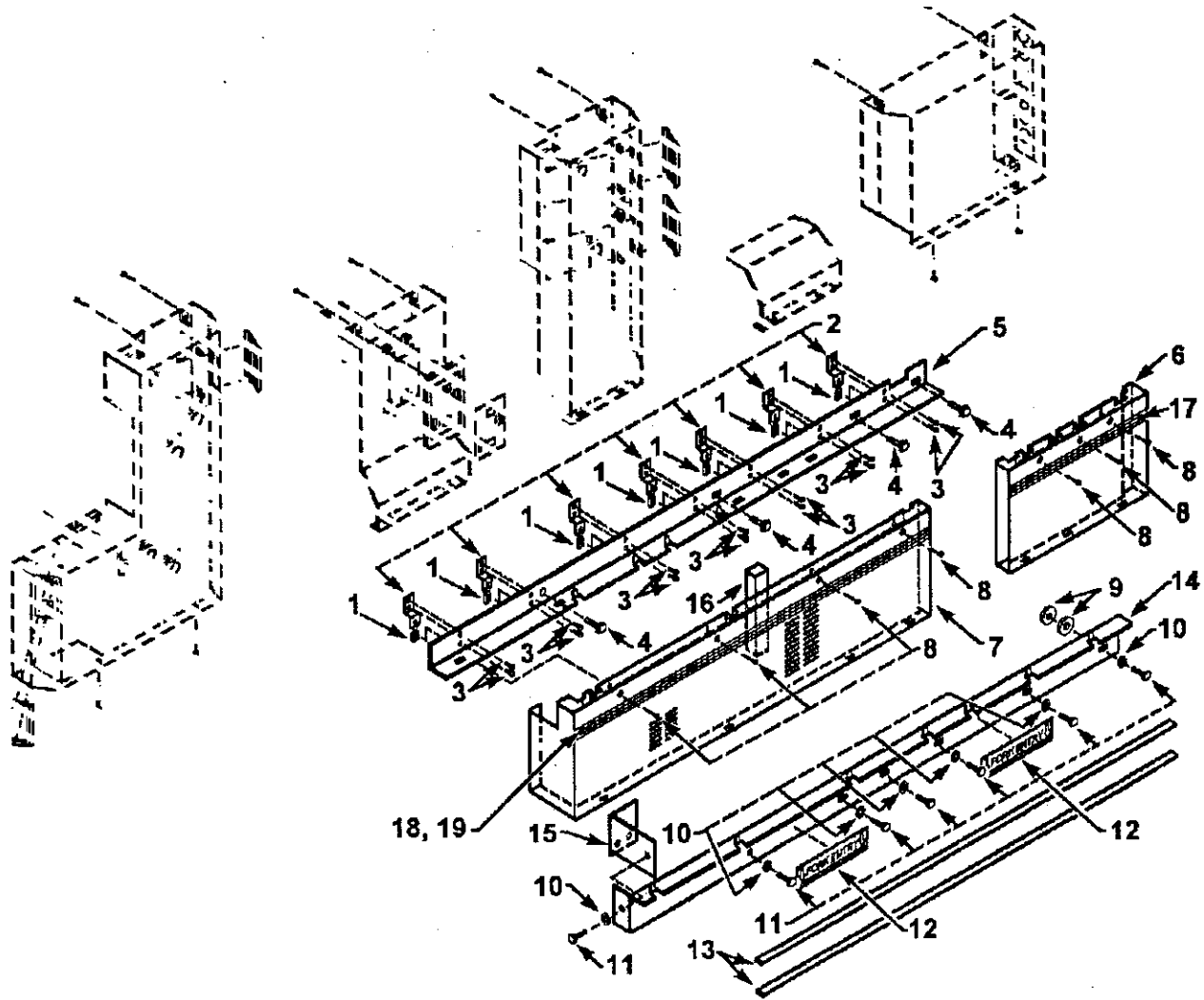


# COVERS AND SAFETY GUARDS

## OS COVERS -- PART 1

<u>FIGURE</u>	<u>PART NUMBER</u>	<u>DESCRIPTION</u>	<u>UNITS PER ASSEMBLY</u>
1	102165	SCREW -- thread forming, #10-12, 1 1/4"	8
2	101144	SPEED NUT -- #10	8
3	014295	SCREW -- pan with star washer, 6-32 x 3/8"	12
4	173127	RETAINER	12
5	001649	SCREW -- pan with star washer, 10-32 x 1/2"	4
6	172908	BEZEL -- plastic frame	4
7	180168	BEZEL -- plastic frame	1
8	180996	BEZEL DECAL	1
9	173053	COVER -- feeder	1
10	173043	PANEL -- feeder insert	1
11	173056	COVER -- tower one	1
12	173059	COVER -- insert	1
13	173058	COVER -- tower two	1
14	173064	FILLER BRACKET -- chain delivery	1
15	172851	DECAL -- lowering speed control	1
16	001575	SCREW -- pan, 10-32 x 5/16"	1
17	102157	SCREW -- button head, 10-32 x 3/8"	2
18	172850	DECAL -- back jogger adjustment	1
19	172854	DECAL -- lateral adjustment	2
20	172862	DECAL -- ink control	2
21	172853	DECAL -- fountain sweep	2
22	172852	DECAL -- quick release	1
23	172857	DECAL -- lateral paper adjustment	1
24	178373	DECAL -- powder spray (double knob)	1
25	173257	DECAL -- powder spray (single knob)	1
26	178374	DECAL -- powder spray and infrared	1
27	400757	DECAL -- A.B.Dick	1
28	172861	DECAL -- pull guide vacuum	1
29	172860	DECAL -- air and vacuum direction	1

# COVERS AND SAFETY GUARDS



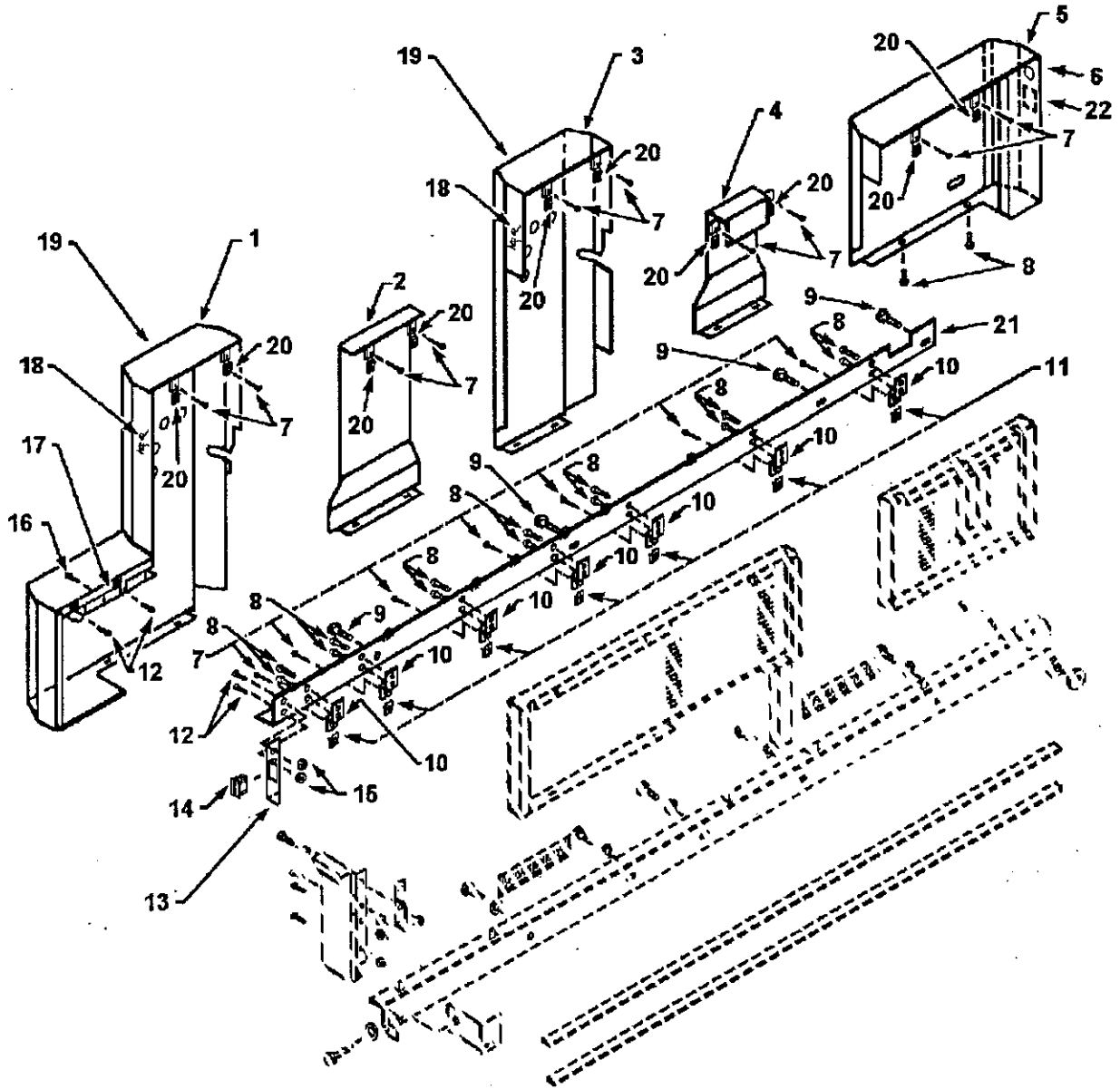


# COVERS AND SAFETY GUARDS

## OS COVERS -- PART 2

<u>FIGURE</u>	<u>PART NUMBER</u>	<u>DESCRIPTION</u>	<u>UNITS PER ASSEMBLY</u>
1	173082	SPEED NUT	7
2	173081	BRACKET	7
3	001575	SCREW -- pan head, 10-32 x 5/16"	14
4	014183	SCREW -- hex with star washer, 5/16-18 x 5/8", for upper rail	4
5	173061	UPPER RAIL	1
6	173069	COVER -- base feeder	1
7	173071	COVER -- base delivery	1
8	102165	SCREW -- thread forming	7
9	193338	WASHER -- plain, .260 i.d., 1.500 o.d., .120, for lower rail	2
10	005071	WASHER -- plain, .253 i.d., .500 o.d., .060	7
11	021013	SCREW -- 1/4-28 x 5/8", for lower rail	7
12	173372	DECAL -- fork lift	2
13	173083	GASKET -- foam rail	2
14	173073	LOWER RAIL	1
15	173079	BRACKET -- mounting	1
16	173150	CUSHION	1
17	172941	DECAL -- base feeder cover	1
18	172940	DECAL -- base delivery cover (Century)	1
19	173324	DECAL -- base delivery cover (Ruby)	1

# COVERS AND SAFETY GUARDS

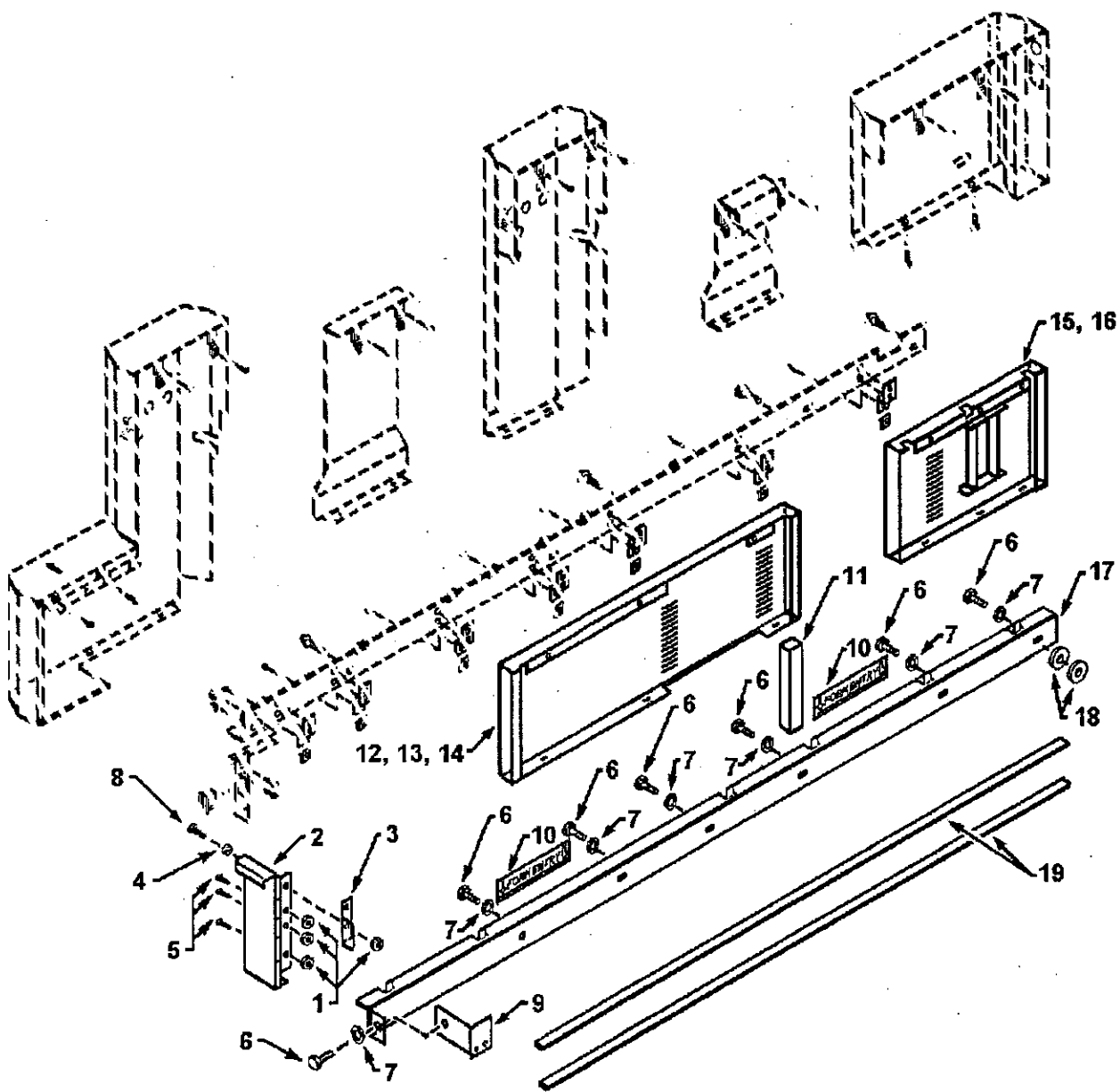


# COVERS AND SAFETY GUARDS

## NOS COVERS -- PART 1

<u>FIGURE</u>	<u>PART NUMBER</u>	<u>DESCRIPTION</u>	<u>UNITS PER ASSEMBLY</u>
1	173055	COVER -- tower two	1
2	173060	COVER -- insert	1
3	173057	COVER -- tower one	1
4	173044	PANEL -- feeder insert	1
5	173054	COVER -- feeder	1
6	172849	DECAL -- master power	1
7	102165	SCREW -- thread forming, 10-12 x 1 1/4"	17
8	001649	SCREW -- pan head with star washer, 10-32 x 1/2"	16
9	014183	SCREW -- with star washer, 5/16-18 x 5/8", for upper rail	4
10	173081	BRACKET	7
11	173082	SPEED NUT	7
12	102157	SCREW -- button head, 10-32 x 3/8"	4
13	173078	BRACKET -- magnet	1
14	101548	CATCH -- magnetic	1
15	014808	NUT -- 10-32	2
16	001575	SCREW -- pan, 10-32 x 5/16"	1
17	173063	FILLER -- delivery	1
18	172856	DECAL -- ink roller cleanup	2
19	172855	DECAL -- night latch	2
20	101144	SPEED NUT -- #10	10
21	173062	UPPER RAIL	1
22	172859	DECAL -- on/1	1

# COVERS AND SAFETY GUARDS

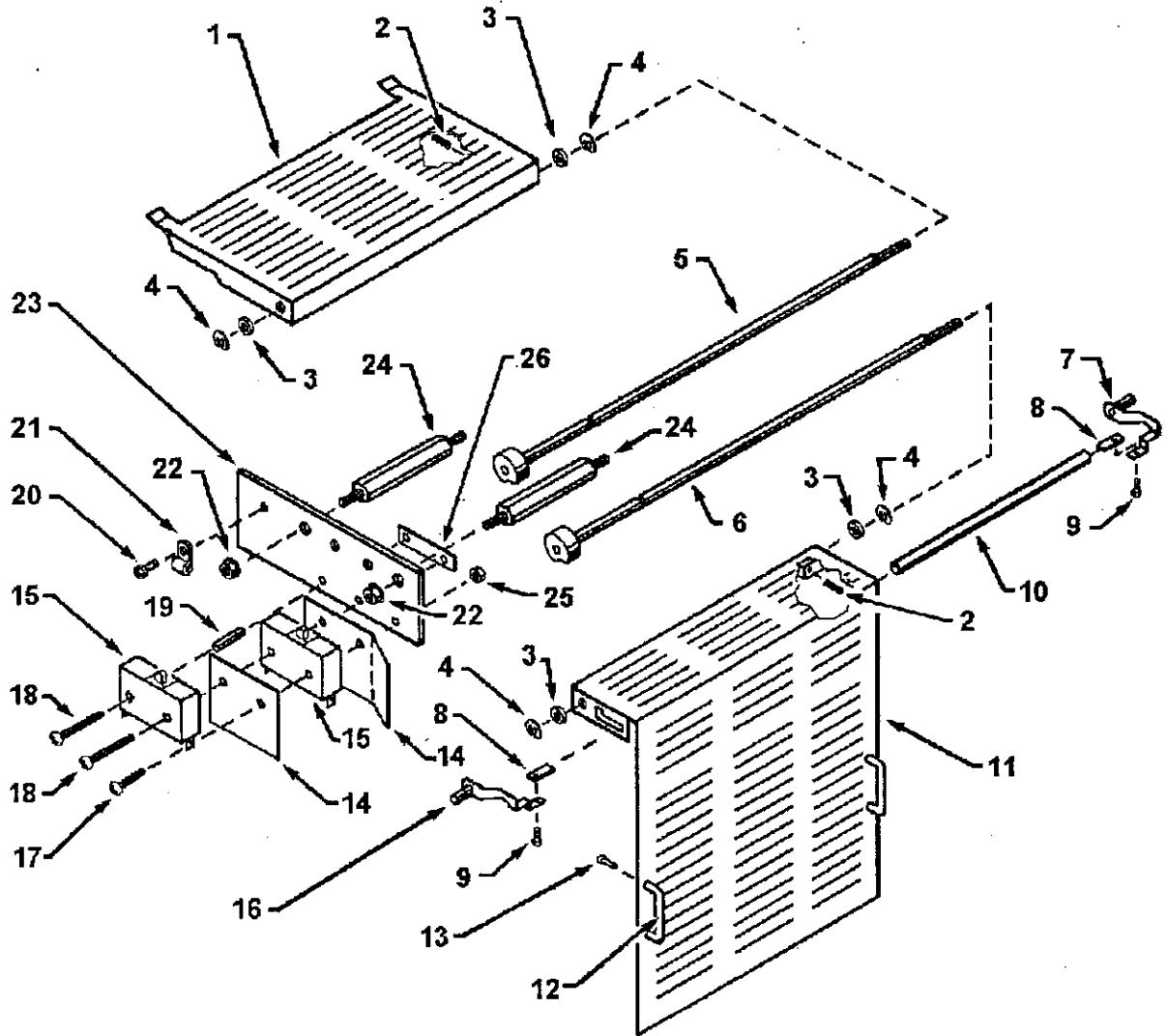


# COVERS AND SAFETY GUARDS

## NOS COVERS -- PART 2

<u>FIGURE</u>	<u>PART NUMBER</u>	<u>DESCRIPTION</u>	<u>UNITS PER ASSEMBLY</u>
1	150083	NUT -- 8-32	4
2	173066	DOOR AND HINGE	1
3	173506	STOP -- door	1
4	197195	WASHER -- .257 i.d., .500 o.d., .125	1
5	102157	SCREW -- button head, 10-32 x 3/8"	3
6	021013	SCREW -- 1/4-28 x 5/8", for lower rail	7
7	005071	WASHER -- plain, .253 i.d., .500 o.d., .060	7
8	111057	SCREW -- 10-32 x 3/4"	1
9	173080	BRACKET -- mounting	1
10	173372	DECAL -- fork lift	2
11	173150	CUSHION	1
12	173072	COVER -- base delivery	1
13	172863	DECAL -- base delivery (Century)	1
14	173323	DECAL -- base delivery (Ruby)	1
15	173070	COVER -- base feeder	1
16	172943	DECAL -- base feeder	1
17	173074	LOWER RAIL	1
18	193338	WASHER -- plain, .260 i.d., 1.500 o.d., .120, for lower rail	2
19	173083	GASKET -- foam rail	2

# COVERS AND SAFETY GUARDS

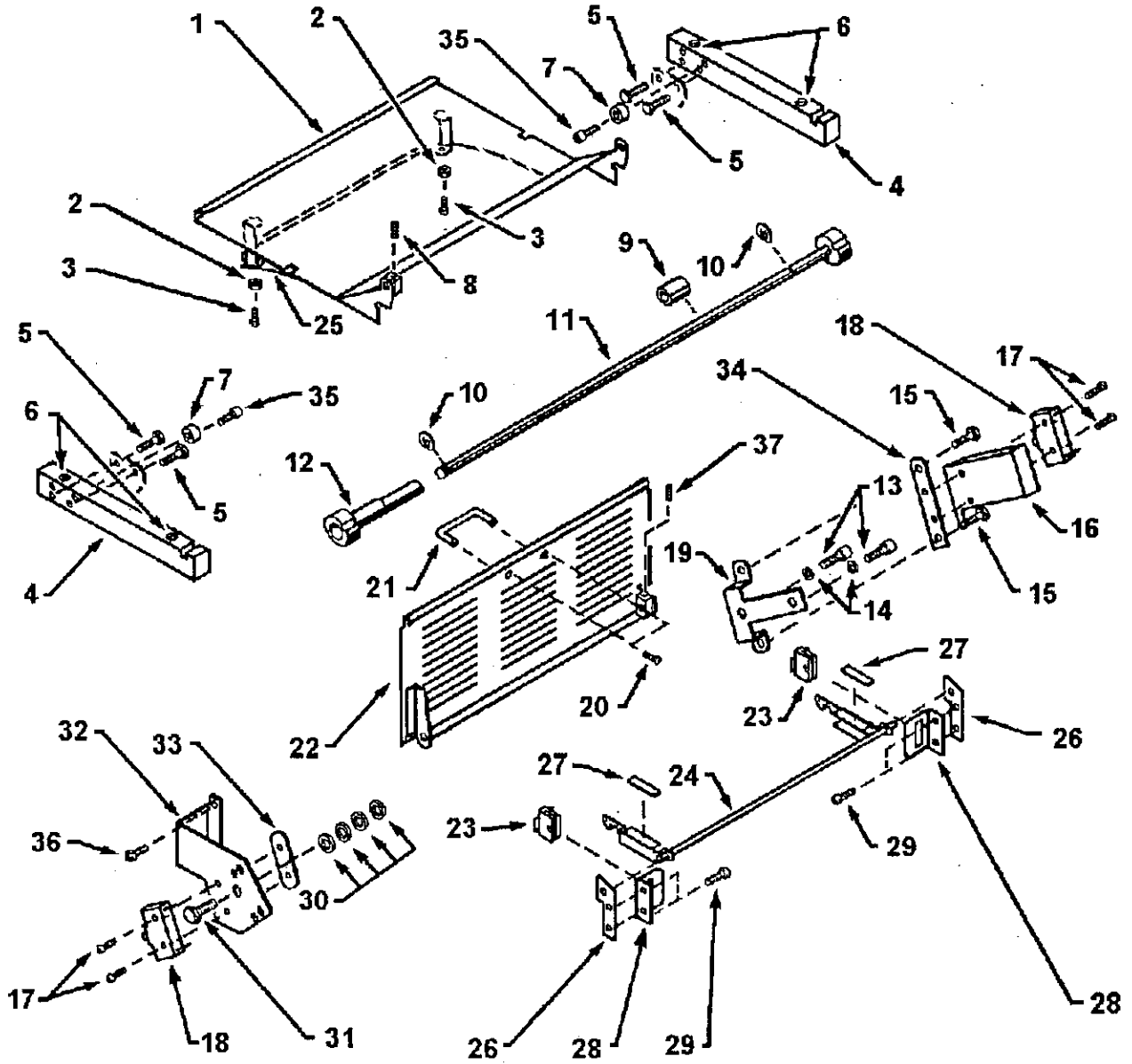


# COVERS AND SAFETY GUARDS

## INK AND DAMPENER SAFETY GUARDS

<u>FIGURE</u>	<u>PART NUMBER</u>	<u>DESCRIPTION</u>	<u>UNITS PER ASSEMBLY</u>
1	180293	GUARD -- ink	1
2	014108	SCREW -- set, 10-32 x 3/8"	2
3	197195	WASHER -- .257 i.d., .500 o.d.	4
4	001097	RETAINING RING -- 7-32	4
5	180180	SHAFT ASSEMBLY -- ink guard	1
6	180185	SHAFT ASSEMBLY -- dampener	1
7	180870	STRUT ASSEMBLY -- nos	1
8	180589	TUBE CONNECTOR	2
9	001681	SCREW -- 6-32 x 1/4"	2
10	180588	TUBE	1
11	180788	GUARD -- tower one dampener	1
12	180188	HANDLE	2
13	001649	SCREW -- 10-32 x 1/2"	2
14	010342	INSULATOR	2
15	253822	SWITCH	2
16	178283	STRUT ASSEMBLY -- os	1
17	102301	SCREW -- hex, 6-32 x 7/8"	1
18	101979	SCREW -- hex, 6-32 x 1 5/8"	2
19	180177	SPACER	1
20	001220	SCREW -- 10-32 x 3/8"	1
21	250356	CLAMP	1
22	150089	NUT -- 3/8"-24	2
23	180175	BRACKET -- switch	1
24	180176	STANDOFF	2
25	014812	NUT -- 6-32	1
26	190731	PLATE -- nut, 6-32	1
27	180554	GUARD -- tower two dampener (not illustrated)	1

# COVERS AND SAFETY GUARDS



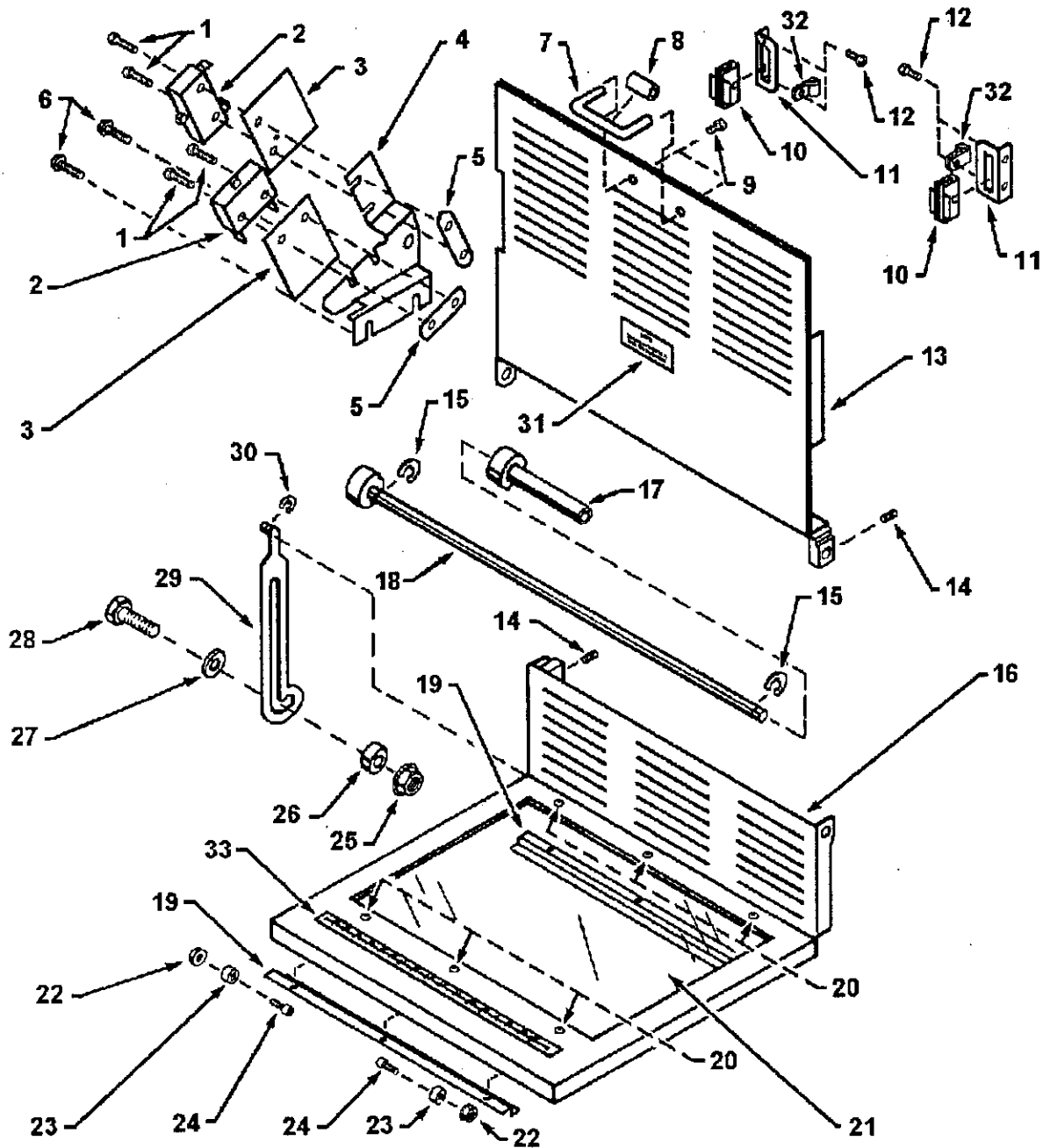


# COVERS AND SAFETY GUARDS

## IMPRESSION AND TOWER ONE SAFETY GUARDS

<u>FIGURE</u>	<u>PART NUMBER</u>	<u>DESCRIPTION</u>	<u>UNITS PER ASSEMBLY</u>
1	173017	GUARD -- impression	1
2	100716	NUT -- locking, 6-32	2
3	001568	SCREW -- Phillips, 6-32 x 3/8"	2
4	172937	EXTENSION -- frame	2
5	111057	SCREW -- hex washer, 10-32 x 3/4"	4
6	102040	SCREW -- Allen cap, 1/4-20 x 1 1/4"	4
7	196988	BUMPER	2
8	001650	SCREW -- set, 10-32 x 3/16"	1
9	173151	SPACER	1
10	001097	RETAINING RING	2
11	180544	SHAFT	1
12	180542	SLEEVE	1
13	014157	SCREW -- Allen cap, 1/4-28 x 1 1/4"	2
14	001731	WASHER -- split, .250 i.d., .485 o.d., .050	2
15	014164	SCREW -- Allen cap, 8-32 x 7/16"	2
16	173302	SWITCH COVER	1
17	102301	SCREW -- hex, 6-32 x 7/8"	4
18	253822	SWITCH	2
19	173300	BRACKET -- nos	1
20	001649	SCREW -- pan with star washer, 10-32 x 1/2"	2
21	180188	HANDLE	1
22	180926	GUARD -- tower one roller	1
23	101548	MAGNET	2
24	178199	LATCH ASSEMBLY	1
25	173016	ANTI-SCUFF SEGMENT	1
26	180873	BRACKET	2
27	178177	MAGNET STRIP	2
28	178355	BRACKET -- magnet	2
29	001555	SCREW -- Phillips, 10-32 x 1/2"	4
30	191384	WASHER -- flat, .255 i.d., 3/4" o.d., 1/16"	4
31	111073	SCREW -- hex, 1/4-28 x 5/8"	1
32	173299	BRACKET -- os	1
33	190731	PLATE -- nut, 6-32	1
34	173301	SWITCH PLATE	1
35	014175	SCREW -- Allen cap, 10-32 x 7/8"	2
36	111051	SCREW -- hex with washer, 10-32 x 5/16"	2
37	014108	SCREW -- set, 10-32 x 3/8"	1

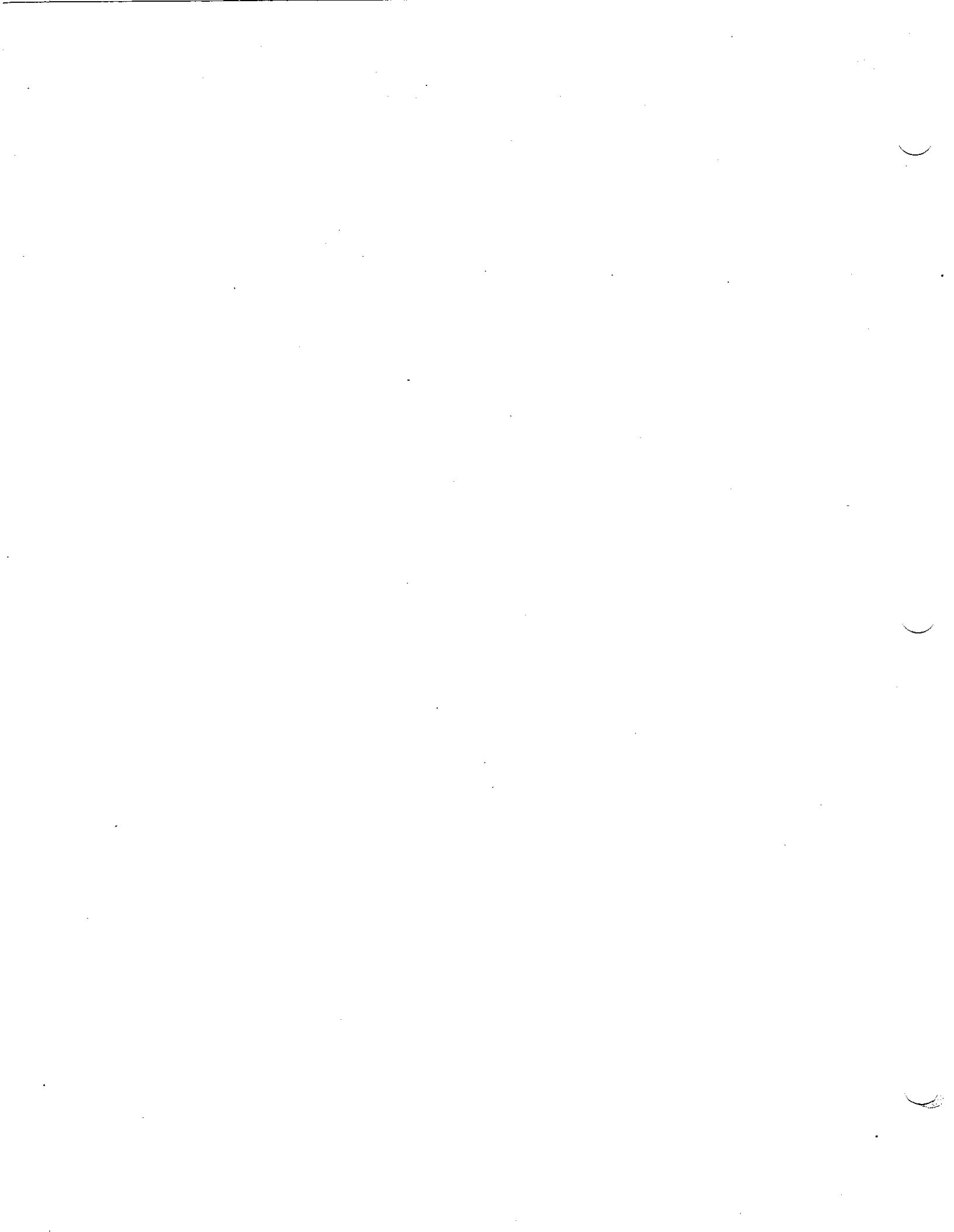
# COVERS AND SAFETY GUARDS



# COVERS AND SAFETY GUARDS

## CHAIN DELIVERY SAFETY GUARDS

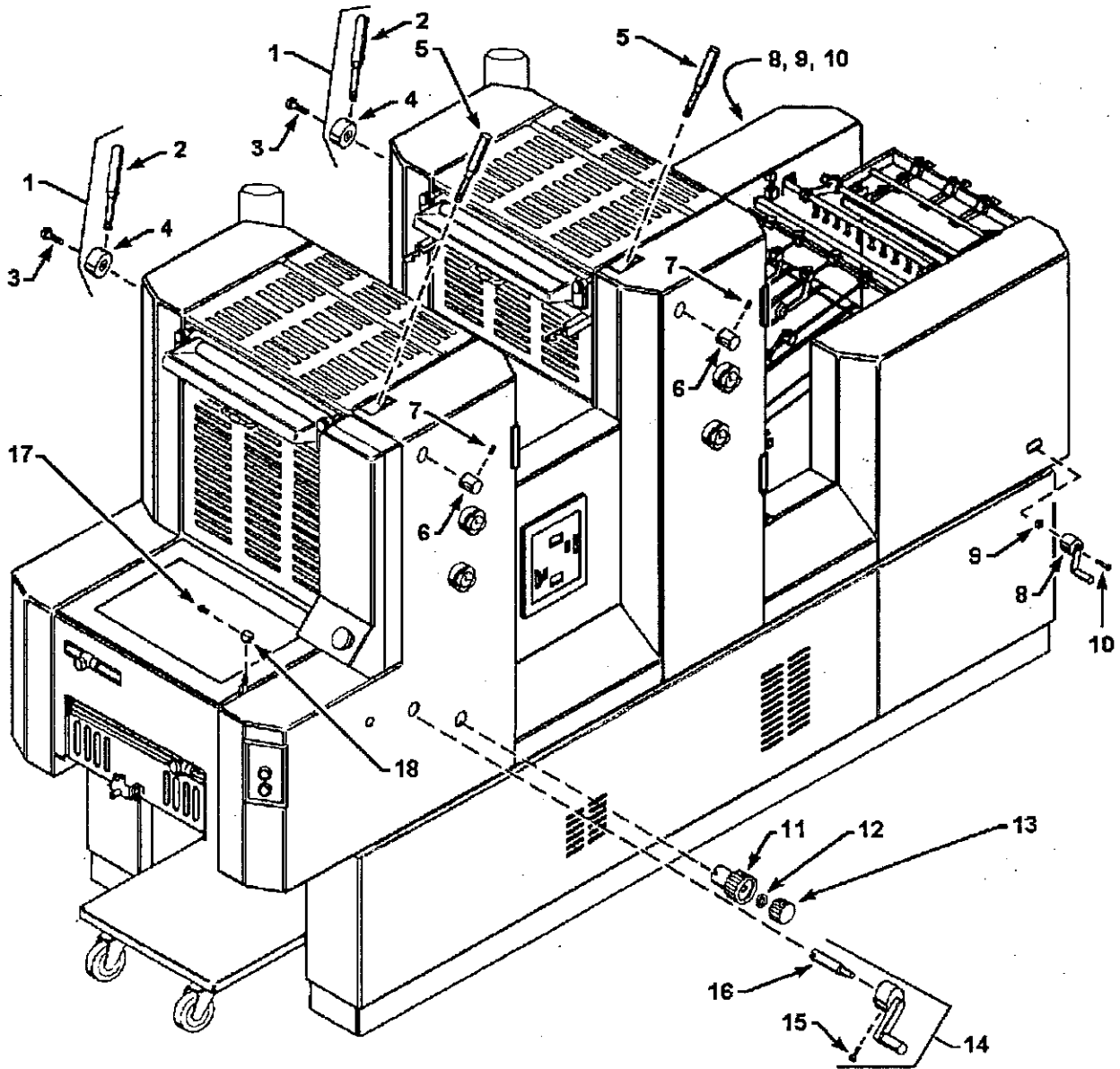
<u>FIGURE</u>	<u>PART NUMBER</u>	<u>DESCRIPTION</u>	<u>UNITS PER ASSEMBLY</u>
1	102301	SCREW -- hex, 6-32 x 7/8"	4
2	253822	SWITCH	2
3	010342	INSULATOR	2
4	173178	BRACKET -- switch	1
5	190731	PLATE -- nut, 6-32	2
6	111073	SCREW -- hex washer head, 1/4-28 x 5/8"	2
7	180188	HANDLE	1
8	172102	RUBBER TUBE	1
9	001649	SCREW -- pan with star washer, 10-32 x 1/2"	2
10	101548	MAGNET	2
11	178355	BRACKET -- magnet	2
12	001555	SCREW -- Phillips, 10-32 x 1/2"	4
13	180127	GUARD -- tower two	1
14	014108	SCREW -- set, 10-32 x 3/8"	2
15	001097	RETAINING RING -- .186 i.d. x .027	2
16	172406	GUARD -- delivery	1
17	180162	SLEEVE ASSEMBLY	1
18	180160	SHAFT ASSEMBLY	1
19	180139	CHANNEL -- window	2
20	102157	SCREW -- button head, 10-32 x 3/8"	6
21	180128	WINDOW -- delivery guard	1
22	150081	LOCKNUT -- 8-32	2
23	196988	BUMPER	2
24	101193	SCREW -- cap, 8-32 x 5/8"	2
25	150083	LOCKNUT -- flange, 10-32	1
26	074399	SPACER	1
27	191797	WASHER -- plain, .265 i.d., 5/8" o.d.	1
28	172811	SCREW -- shoulder, 10-32	1
29	172809	STRUT ASSEMBLY	1
30	001778	RETAINING RING -- .214 i.d x .027.	1
31	072258	LABEL	1
32	180490	TUBING CLIP	2
33	173032	LABEL -- scale	1



***Cranks/Handles/Knobs***

---

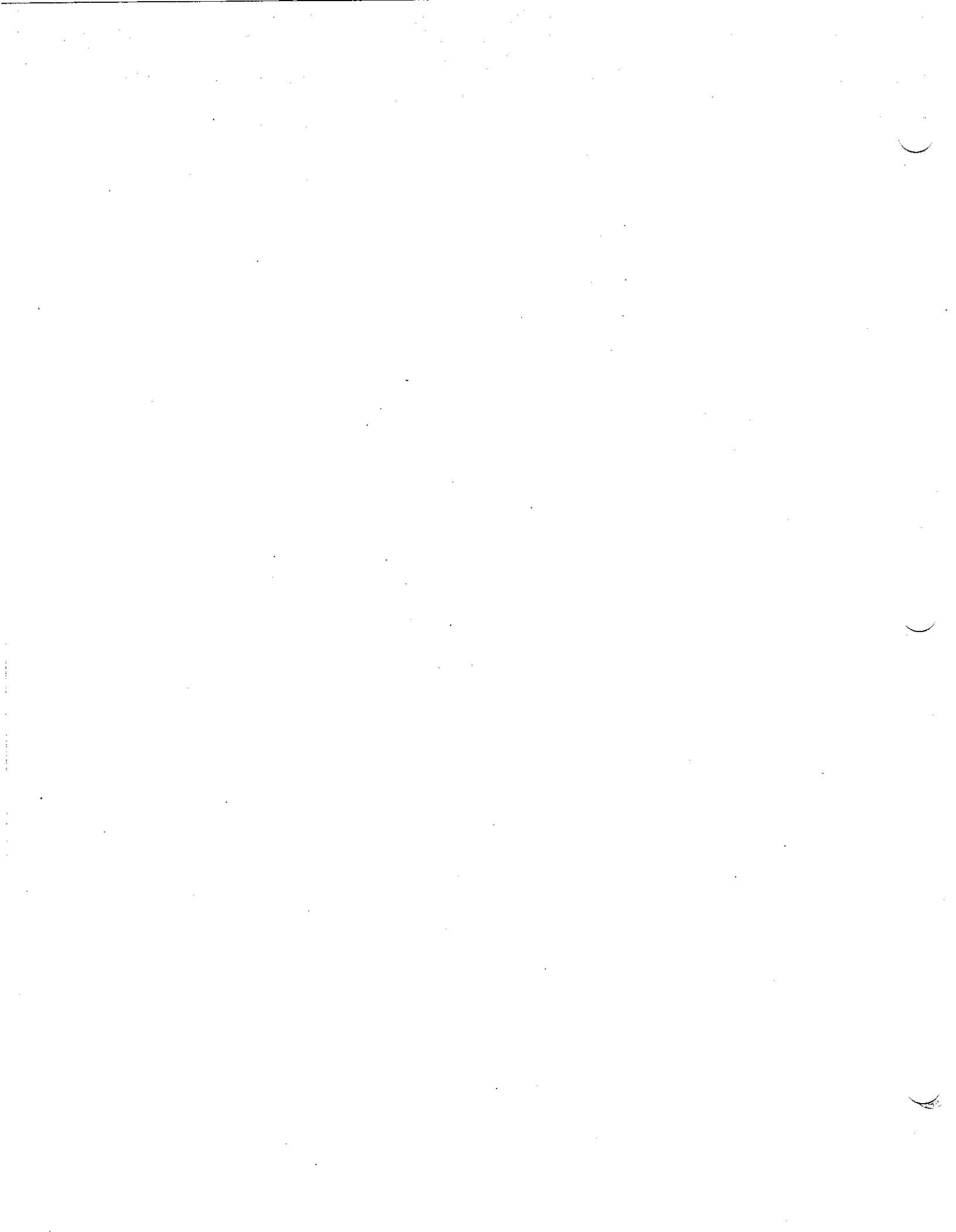
# CRANKS/HANDLES/KNOBS



# CRANKS/HANDLES/KNOBS

## CRANKS, HANDLES, AND KNOBS

<u>FIGURE</u>	<u>PART NUMBER</u>	<u>DESCRIPTION</u>	<u>UNITS PER ASSEMBLY</u>
1	180703	HANDLE ASSEMBLY	2
2	178368	HANDLE -- night latch	2
3	056530	SCREW -- special	2
4	180697	HUB -- hand lever	2
5	173210	HANDLE -- ratchet	2
6	197107	KNOB	2
7	014108	SCREW -- set, 10-32 x 3/8"	2
8	017595	CRANK -- arm	2
9	039642	RING -- plastic	2
10	196244	SCREW -- 10-32 x 3/8"	2
11	017582	KNOB -- gear adjustment	1
12	016574	WASHER -- .315 i.d., .687 o.d., .047	1
13	016933	KNOB	1
14	172630	CRANK -- chain delivery	1
15	196906	SCREW -- dowel	1
16	179573	EXTENSION -- crank shaft	1
17	001552	SCREW -- Phillips, 8-32 x 3/8"	1
18	016921	KNOB	1



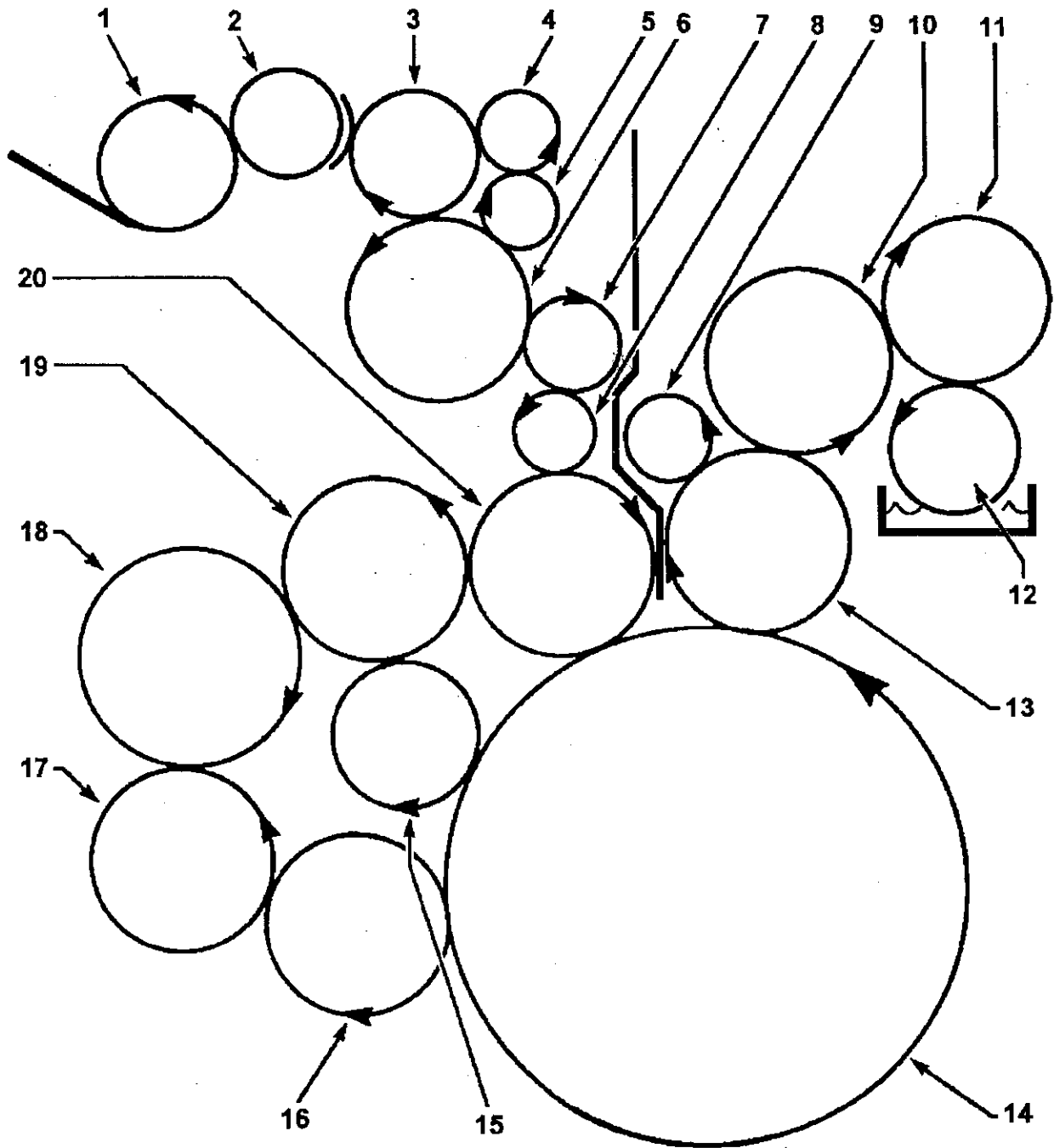


***Towers***

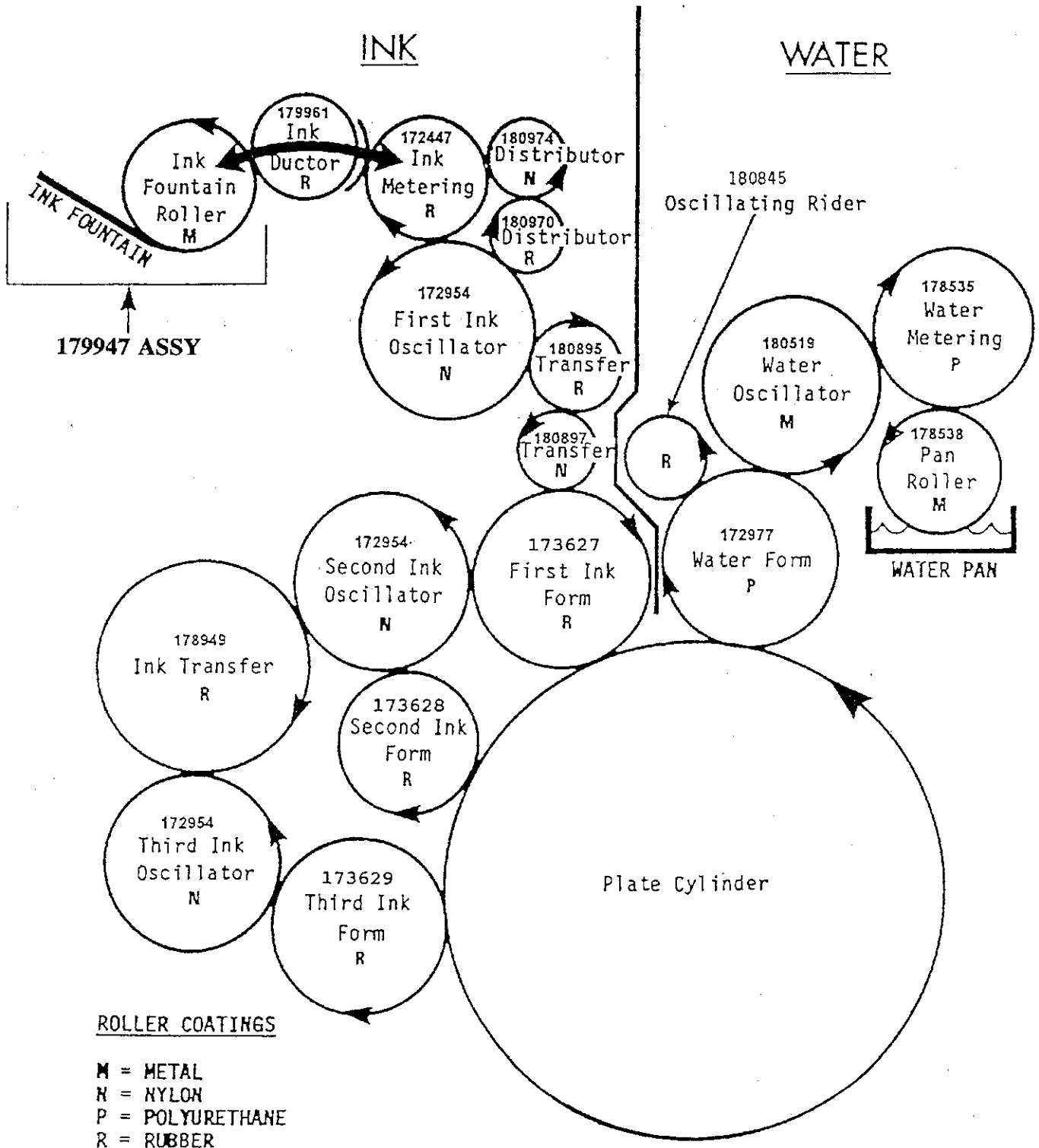
---

# TOWERS

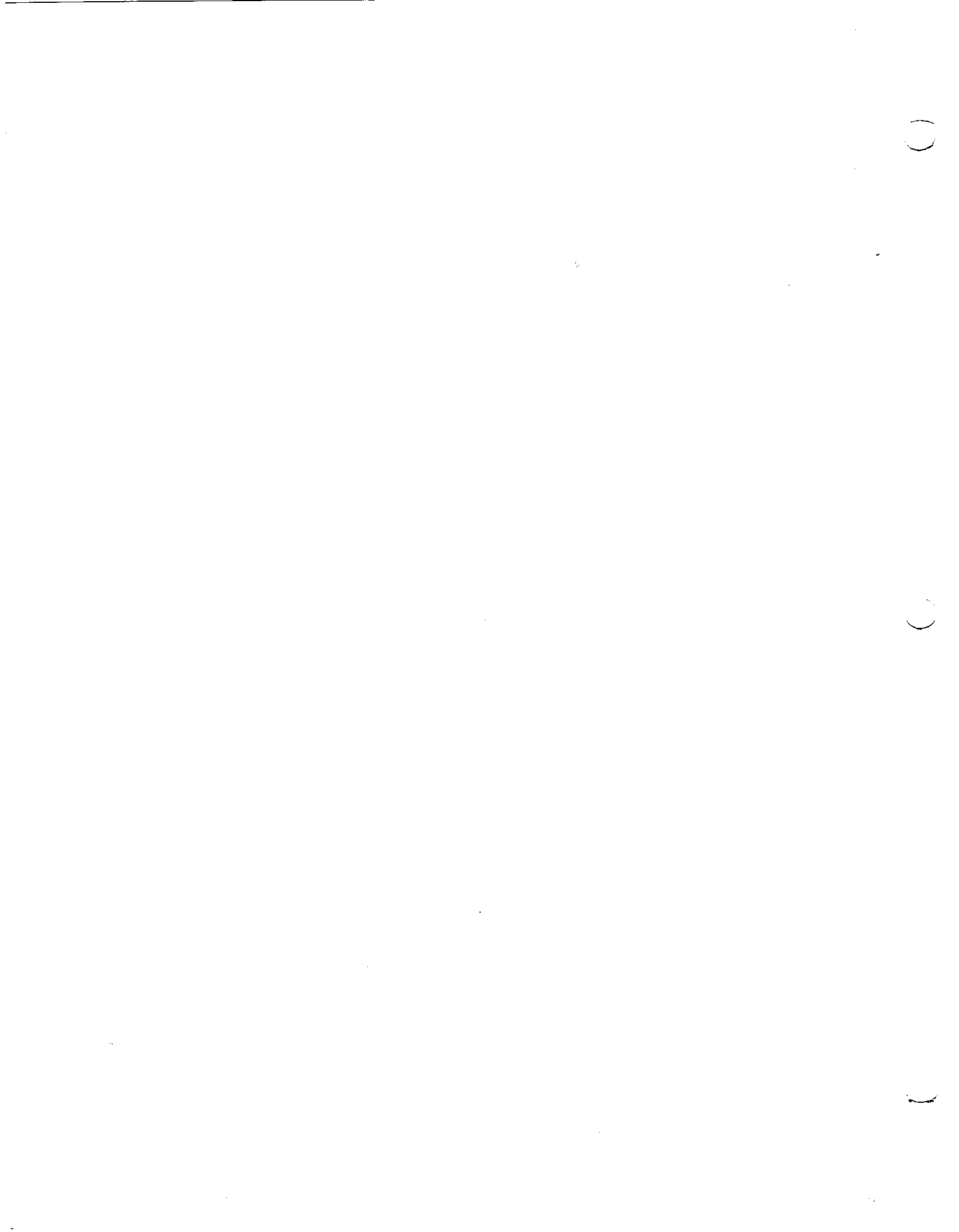
---



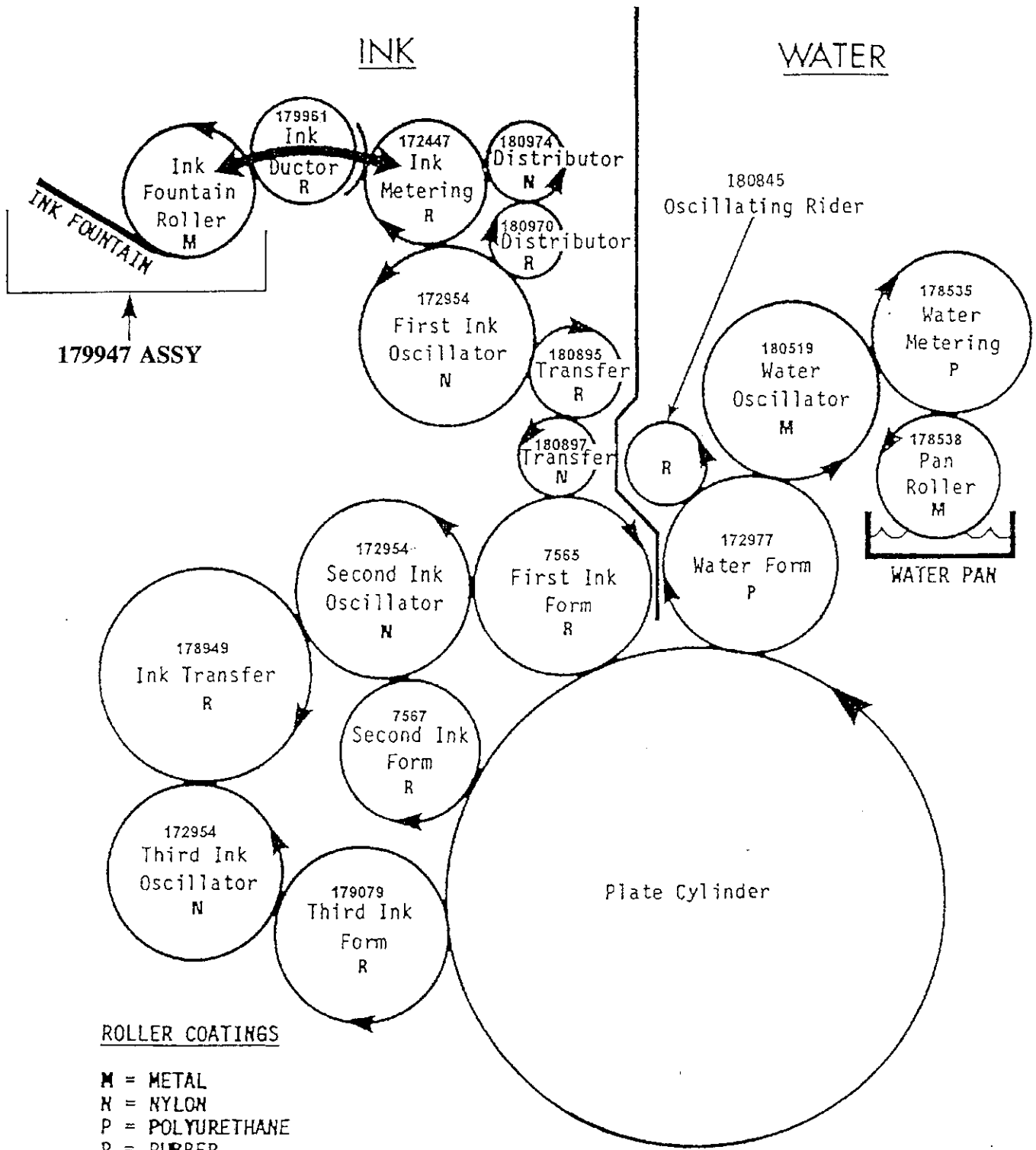
# C-3000 ROLLER CONFIGURATION



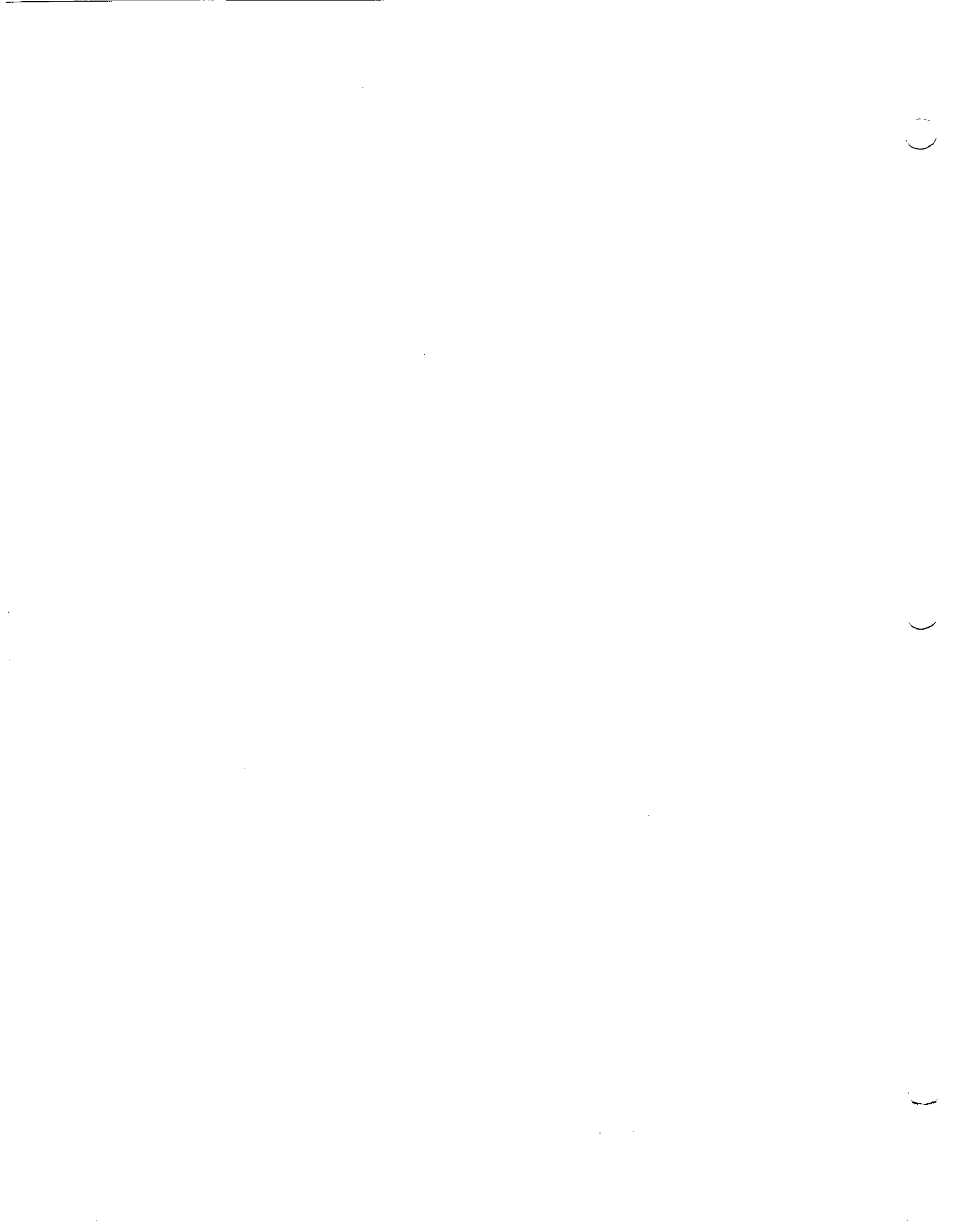
*D-Swiss*



# C-3000 ROLLER CONFIGURATION



A-SERIES

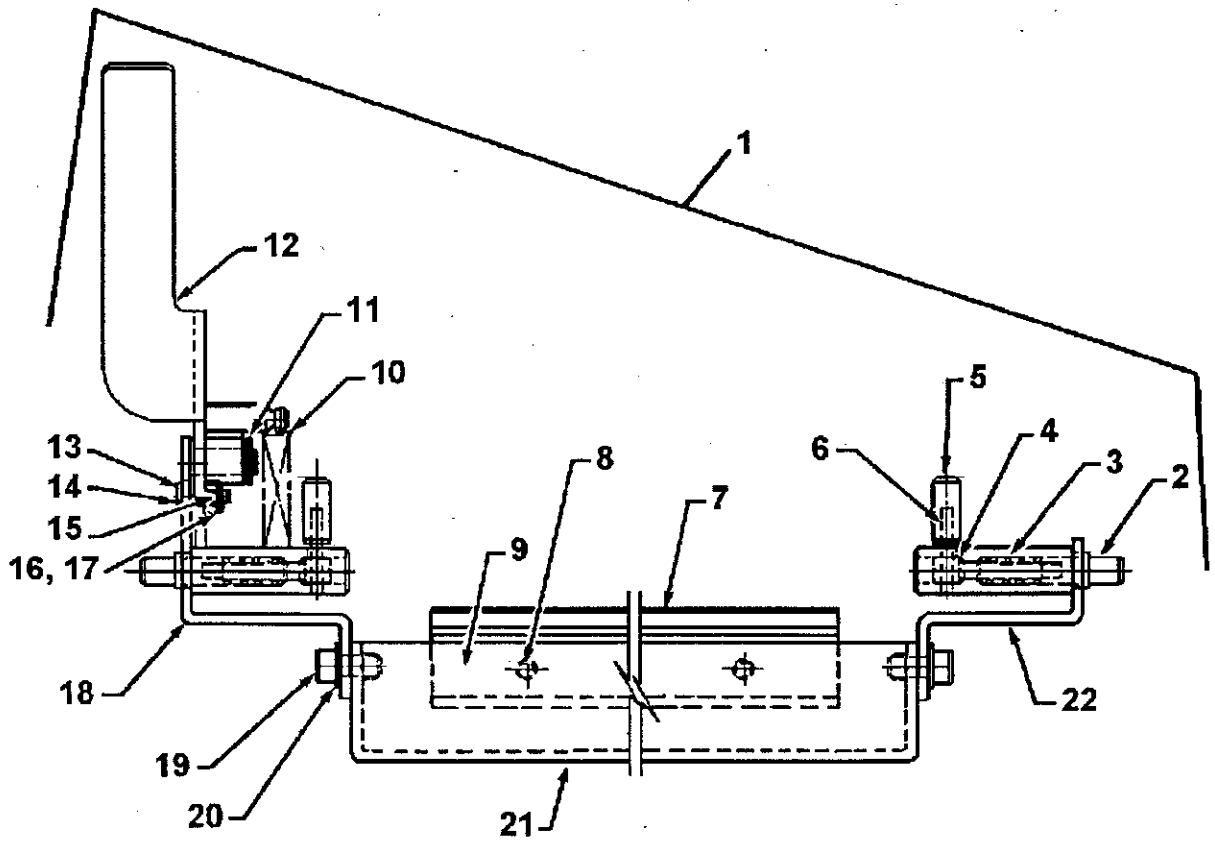


## ROLLER CONFIGURATION

<u>FIGURE</u>	<u>PART NUMBER</u>	<u>DESCRIPTION</u>	<u>UNITS PER ASSEMBLY</u>
1	179947	INK FOUNTAIN AND BLADE -- metal	1
2	179961	INK DUCTOR -- rubber	1
3	172447	INK DISTRIBUTOR -- rubber	1
4	180974	RIDER -- nylon	1
5	180970	RIDER -- rubber	1
6	172954	FIRST INK OSCILLATING -- nylon	1
7	180895	TRANSFER -- rubber	1
8	180897	TRANSFER -- nylon	1
9	180844	OSCILLATING RIDER -- nylon	1
10	180519	WATER OSCILLATING -- metal	1
11	<del>178036</del> 17A027	WATER METERING -- <del>polyethylene</del> RUBBER	1
12	178538	PAN -- metal	1
13	172977 <del>178538</del>	WATER FORM -- <del>polyethylene</del> RUBBER	1
14	172522	PLATE CYLINDER -- tower one	1
14	172520	PLATE CYLINDER -- tower two	1
15	173 <del>579</del>	SECOND INK FORM -- rubber	1
16	173 <del>580</del>	THIRD INK FORM -- rubber	1
17	172954	THIRD INK OSCILLATING -- nylon	1
18	178949	INK TRANSFER -- rubber	1
19	172954	SECOND INK OSCILLATING -- nylon	1
20	173 <del>578</del>	FIRST INK FORM -- rubber	1

# TOWERS

---

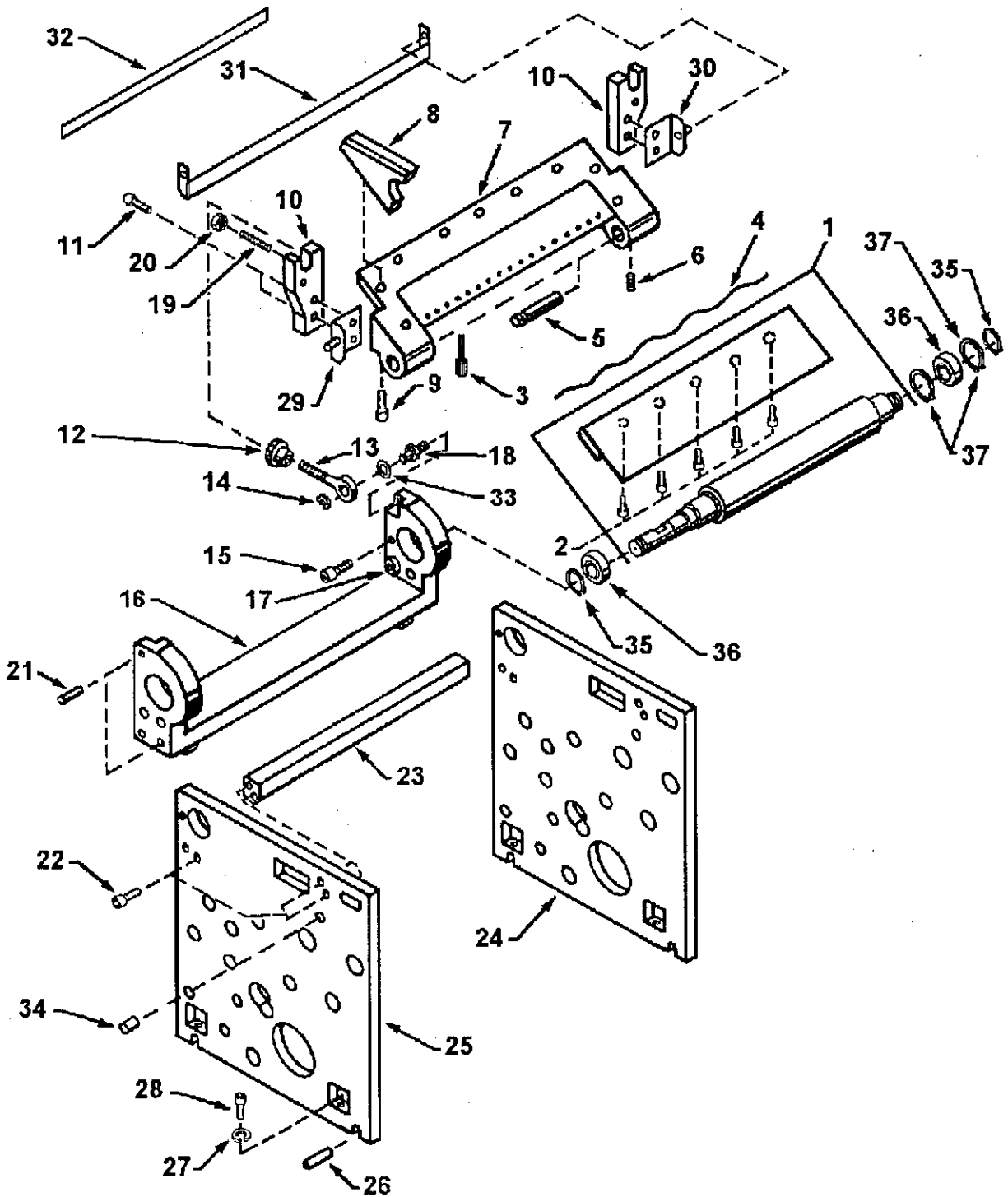




## ROLLER CLEANUP ATTACHMENT

<u>FIGURE</u>	<u>PART NUMBER</u>	<u>DESCRIPTION</u>	<u>UNITS PER ASSEMBLY</u>
1	180850	ROLLER CLEANUP ASSEMBLY	1
2	173550	PIN -- slide	2
3	197366	SPRING -- compression, .219 o.d. x .750 o.a.l. x .020	2
4	173549	ROD -- plunger	2
5	180868	KNOB -- plunger pin	2
6	042150	ROLL PIN -- 103 o.d. x .765 o.a.l.	2
7	180858	BLADE -- cleanup	1
8	001220	SCREWS -- pan head, Phillips, 10-32 x 3/8"	7
9	180859	BLADE -- support bar	1
10	016783	SPRING -- .250 o.d. x 1.25 o.a.l. x .035	1
11	001060	RETAINING RING -- .208 i.d.	1
12	180862	ACTUATING LEVER ASSEMBLY	1
13	180853	PIN -- pivot	1
14	197371	ROLLER -- truck	2
15	197372	SLEEVE -- roller	1
16	006801	WASHER -- .149 i.d., .281 o.d., .031	1
17	014514	"E" RING -- .094 i.d. x .270 o.d. x .017	1
18	180856	MOUNTING BRACKET ASSEMBLY -- nos	1
19	014215	SCREW -- Allen cap, 10-32 x 3/8"	4
20	021861	WASHER -- .196 i.d., .437 o.d., .048	4
21	180851	INK CLEANUP HOUSING ASSEMBLY	1
22	180854	MOUNTING BRACKET ASSEMBLY -- os	1

# TOWERS

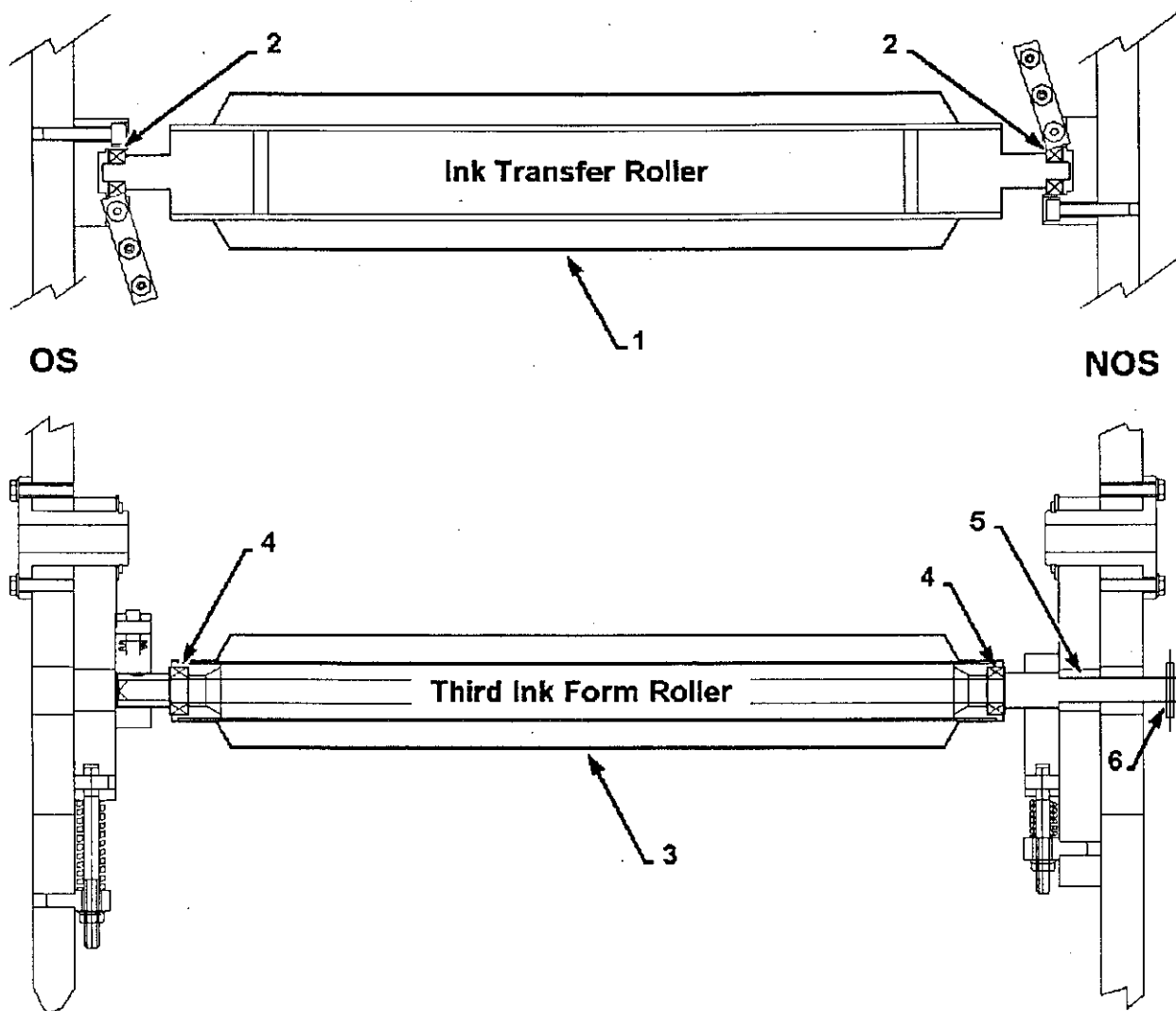


## INK FOUNTAIN ROLLER ASSEMBLY

<u>FIGURE</u>	<u>PART NUMBER</u>	<u>DESCRIPTION</u>	<u>UNITS PER ASSEMBLY</u>
1	179947	INK BLADE AND SHAFT ASSEMBLY	1
2	014158	SCREW -- socket head, 10-32 x 1/2"	5
3	179974	SCREW -- ink control	17
4	173365	SPRING -- screw tension	1
5	178461	PIN -- pivot	2
6	001573	SCREW -- set, 1/4-28 x 5/16"	2
7	179945	PAN -- ink	1
8	179963	PLATE -- ink pan head, os	1
8	179962	PLATE -- ink pan head, nos (not illustrated)	1
9	014162	SCREW -- socket head, 1/4-28 x 1/2"	4
10	172389	BLOCK -- ink pan lock	2
11	014165	SCREW -- socket head, 1/4-28 x 1"	4
12	179983	NUT -- knurled	2
13	197208	BOLT -- eye	2
14	001047	SNAP RING	2
15	102283	SCREW -- socket head, 5/16-18 x 1 1/2"	2
16	180561	INK FOUNTAIN TIE BAR ASSEMBLY	1
17	197018	BUSHING	2
18	173678	PIN -- eye bolt	2
19	014115	SCREW -- set, 1/4-28 x 1 1/8"	2
20	150050	NUT -- 1/4-28	2
21	197021	PIN -- dowel	4
22	102106	SCREW -- socket head, 3/8-24 x 1 1/2"	6
23	179411	BRACE -- ink head	1
24		FRAME -- ink head, nos (illustrated for reference only)	
25		FRAME -- ink head, os (illustrated for reference only)	
26	197161	PIN -- dowel	4
27	001763	WASHER -- lock, .385 i.d., .673 o.d.	4
28	102047	SCREW -- socket head, 3/8-24 x 1 1/4"	4
29	178194	OS BRACKET ASSEMBLY	1
30	178195	NOS BRACKET ASSEMBLY	1
31	178191	GUARD	1
32	172969	DECAL -- scale	1
33	001772	WASHER -- friction	2
34	102026	BEARING SLEEVE	2
35	001786	RETAINING RING	2
36	078520	BALL BEARING	2
37	102096	RETAINING RING	2

# TOWERS

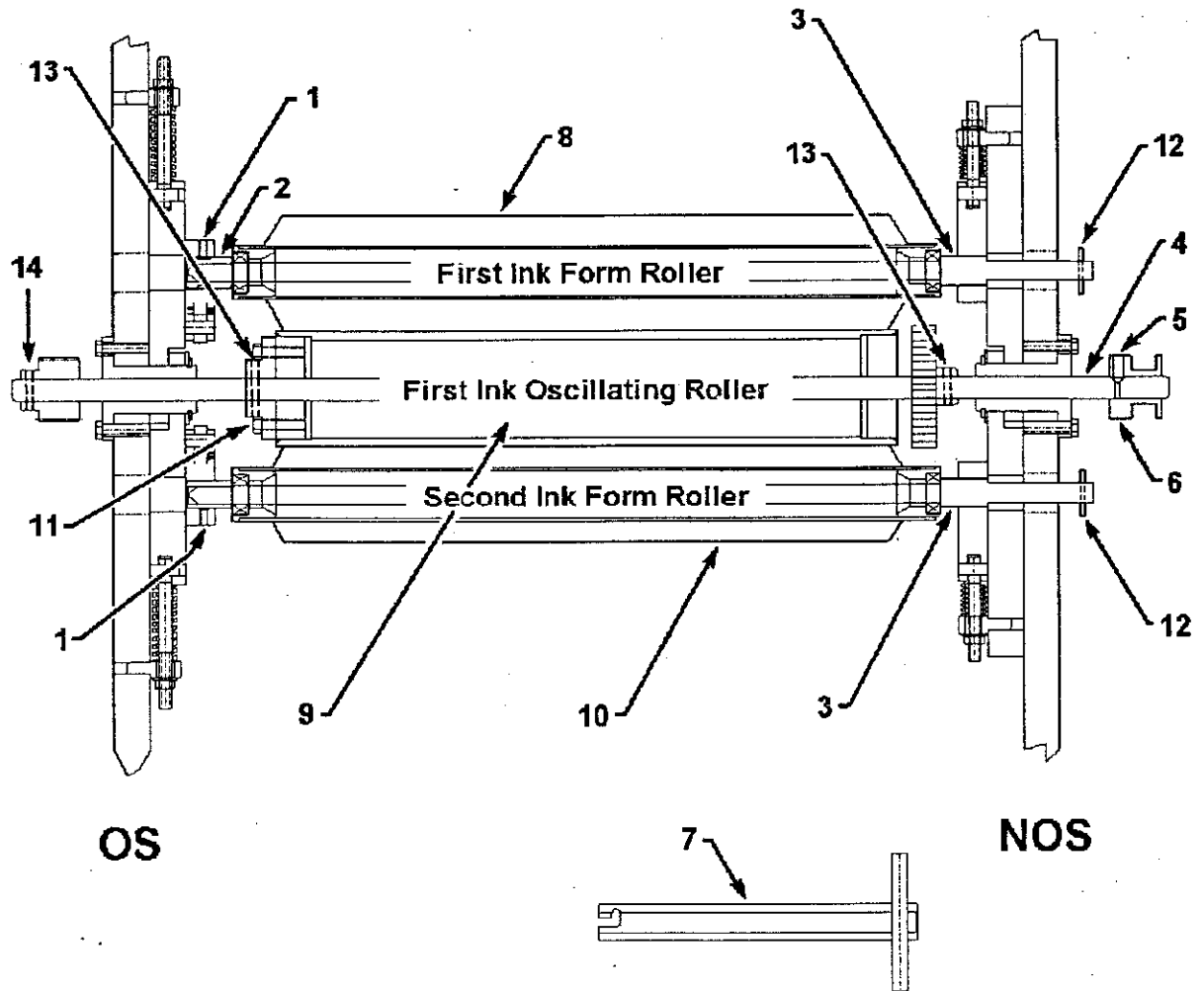
---



INK TRANSFER ROLLER/THIRD INK FORM ROLLER

<u>FIGURE</u>	<u>PART NUMBER</u>	<u>DESCRIPTION</u>	<u>UNITS PER ASSEMBLY</u>
1	178949	INK TRANSFER ROLLER ASSEMBLY	1
2	102001	BALL BEARING	2
3	173629	THIRD INK FORM ROLLER	1
4	073316	BEARING	2
5	179218	THIRD INK FORM ROLLER SHAFT ASSEMBLY	1
6	102008	PIN -- drive lock	1

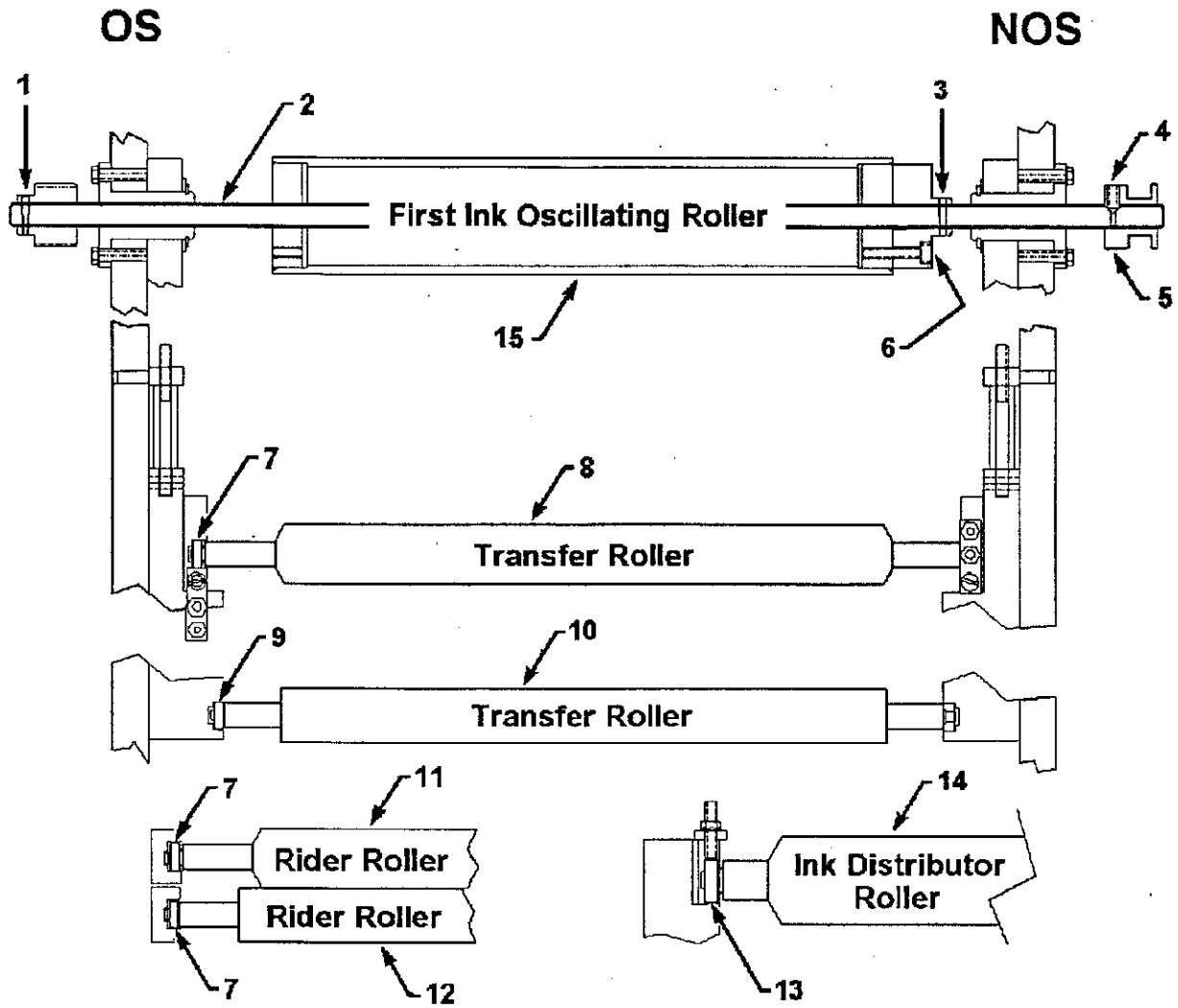
# TOWERS



## FIRST INK OSCILLATING ROLLER/FIRST & SECOND INK FORM ROLLERS

<u>FIGURE</u>	<u>PART NUMBER</u>	<u>DESCRIPTION</u>	<u>UNITS PER ASSEMBLY</u>
1	102228	SCREW -- set, 1/4-28 x 3/4"	2
2	179220	SLEEVE -- ink form roller shaft	2
3	179218	INK FORM ROLLER SHAFT ASSEMBLY	2
4	172973	SHAFT ASSEMBLY	1
5	014207	SCREW -- set, 1/4-28 x 5/8"	1
6	073482	COUPLING	1
7	179221	WRENCH (referenced)	1
8	173627	FIRST INK FORM ROLLER	1
9	172954	FIRST INK OSCILLATING ROLLER ASSEMBLY	1
10	173628	SECOND INK FORM ROLLER	1
11	014165	SCREW -- 1/4-28 x 1"	3
12	102008	PIN -- drive lock	2
13	014941	PIN -- taper	2
14	000023	PIN -- taper	1

# TOWERS

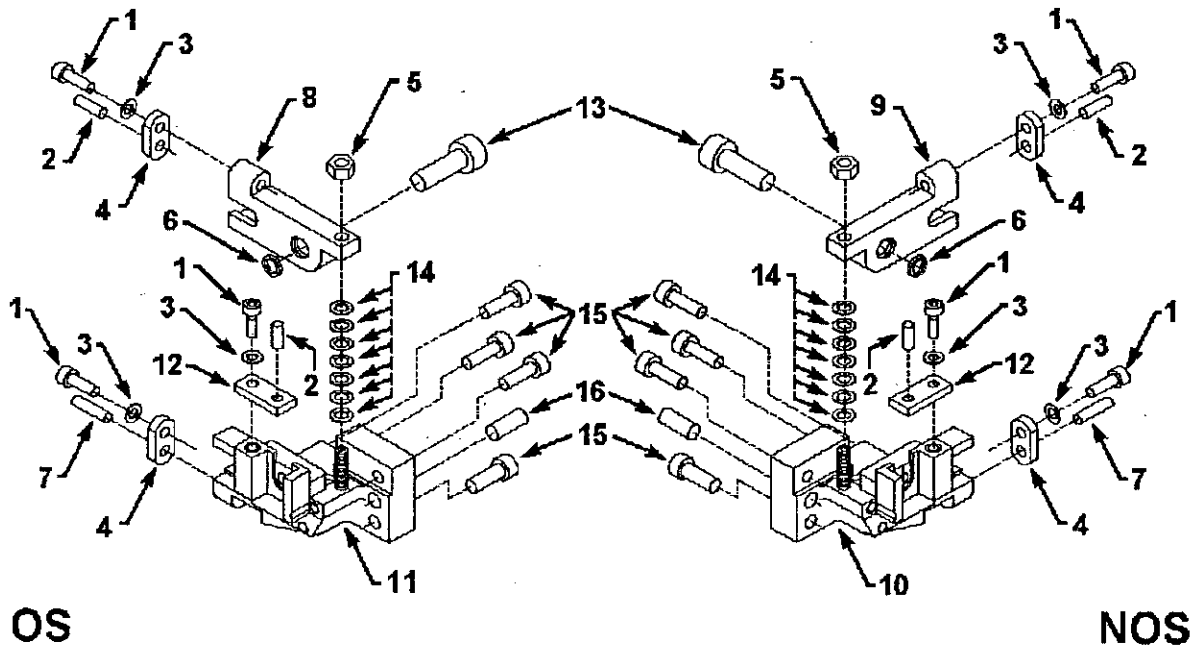




## FIRST INK OSCILLATING ROLLER/TRANSFER ROLLERS

<u>FIGURE</u>	<u>PART NUMBER</u>	<u>DESCRIPTION</u>	<u>UNITS PER ASSEMBLY</u>
1	000023	PIN -- taper	1
2	172934	SHAFT ASSEMBLY	1
3	014941	PIN -- taper	1
4	014207	SCREW -- set, 1/4-28 x 5/8"	1
5	073482	COUPLING ROLL	1
6	014165	SCREW -- 1/4-28 x 1"	3
7	196783	BALL BEARING	6
8	180895	TRANSFER ROLLER ASSEMBLY	1
9	196783	BALL BEARING	2
10	180897	TRANSFER ROLLER ASSEMBLY	1
11	180974	RIDER ROLLER	1
12	180970	RIDER ROLLER	1
13	073310	BALL BEARING	2
14	172447	INK DISTRIBUTOR ROLLER	1
15	172954	FIRST INK OSCILLATING ROLLER ASSEMBLY	1

# TOWERS

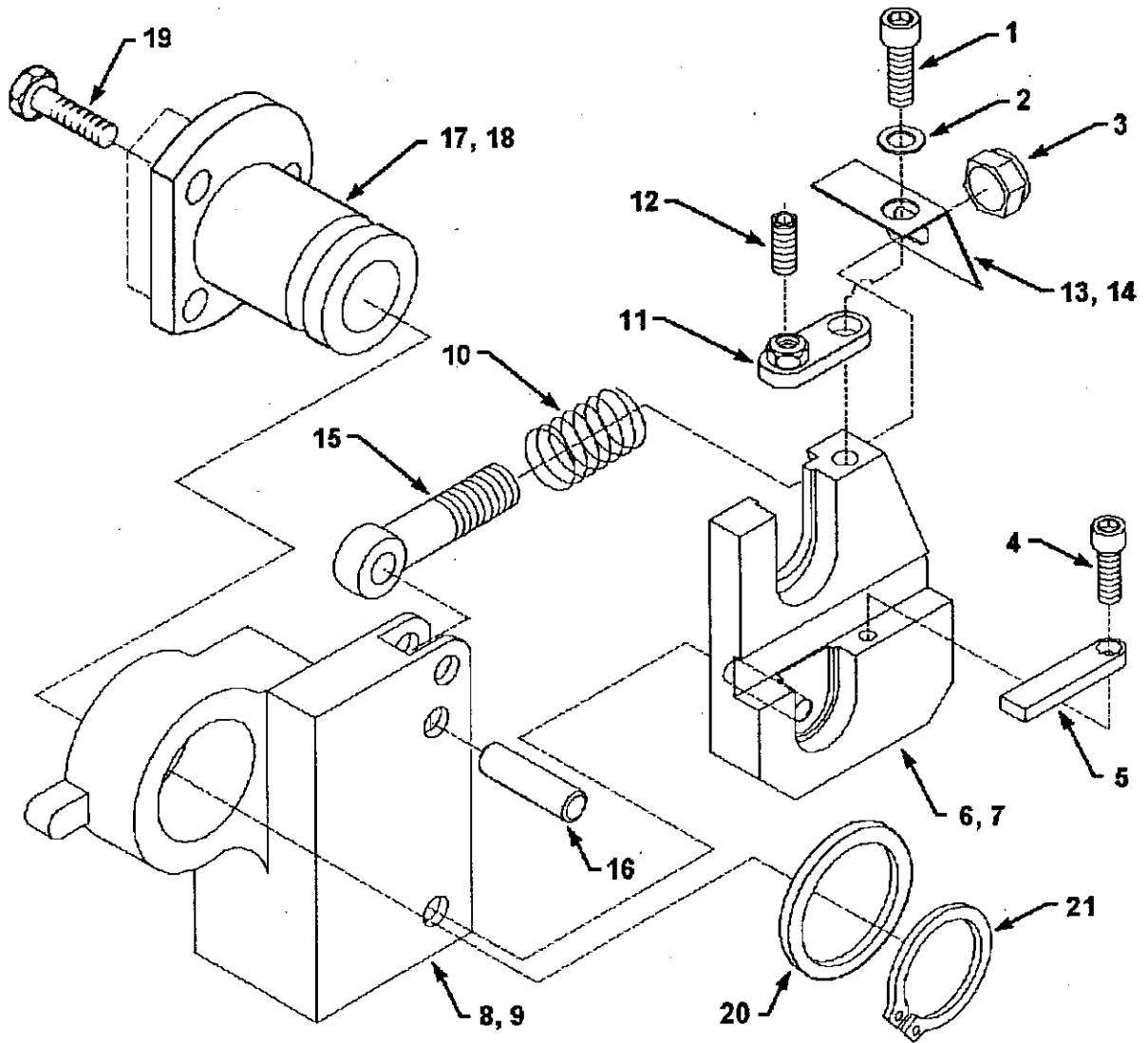


---

**INK DISTRIBUTOR ROLLER/RIDER ROLLER BRACKET**

<u>FIGURE</u>	<u>PART NUMBER</u>	<u>DESCRIPTION</u>	<u>UNITS PER ASSEMBLY</u>
1	014162	SCREW -- 1/4-28 x 1/2"	6
2	102228	SCREW -- set, 1/4-28 x 3/4"	4
3	001726	WASHER -- 1/4 i.d., .437 o.d.	6
4	172788	COVER ADJUSTMENT	4
5	196884	NUT -- hex, 1/4-28	2
6	043106	WASHER -- .314 i.d., .437 o.d.	2
7	102229	SCREW -- set, 1/4-28 x 1 1/4"	2
8	172453	BRACKET -- pivot, os	1
9	172452	BRACKET -- pivot, nos	1
10	172790	BRACKET -- ink distributor and rider rollers, nos	1
11	172791	BRACKET -- ink distributor and rider rollers, os	1
12	172792	COVER	2
13	197399	BOLT -- precision	2
14	172491	SPRING WASHER	14
15	101754	SCREW -- 5/16-24 x 1 1/4"	8
16	191397	PIN -- dowel	2

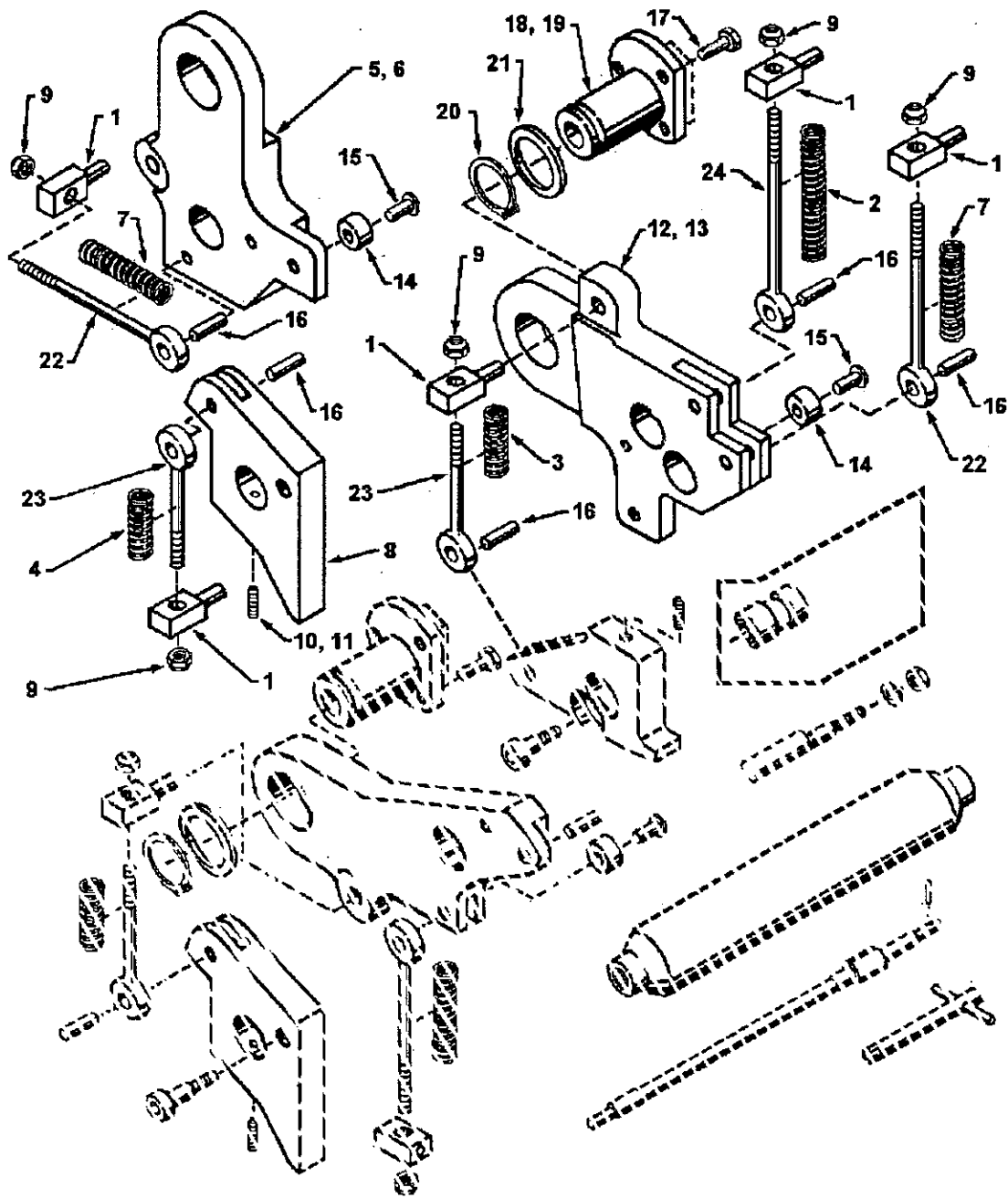
# TOWERS



## BRACKET ASSEMBLY

<u>FIGURE</u>	<u>PART NUMBER</u>	<u>DESCRIPTION</u>	<u>UNITS PER ASSEMBLY</u>
1	014162	SCREW -- Allen cap, 1/4-28 x 1/2"	2
2	001726	WASHER -- spring, .260 i.d., .437 o.d., .015	2
3	196884	NUT -- 1/4-20	2
4	014158	SCREW -- Allen cap, 10-32 x 1/2"	2
5	172457	COVER	2
6	172786	BRACKET ASSEMBLY -- nos	1
7	172787	BRACKET-ASSEMBLY -- os	1
8	172785	BRACKET #1 OSCILLATING ASSEMBLY -- os	1
9	172784	BRACKET #1 OSCILLATING ASSEMBLY -- nos	1
10	194611	SPRING	2
11	172788	ADJUSTMENT COVER	2
12	102228	SCREW -- set, 1/4-28 x 3/4"	2
13	173676	TRANSFER ROLLER BRACKET -- nos	1
14	173677	TRANSFER ROLLER BRACKET -- os	1
15	172459	BOLT -- eye	2
16	172461	PIN -- dowel	2
17	173025	BEARING HOUSING -- oscillating roller shaft, os	1
18	173029	BEARING HOUSING -- oscillating roller shaft, nos	1
19	102042	SCREW -- hex, 1/4-28 x 3/4"	6
20	196850	WASHER -- thrust, 1.00 i.d., 1.56 o.d., .061	2
21	197419	SNAP RING -- bowed	2

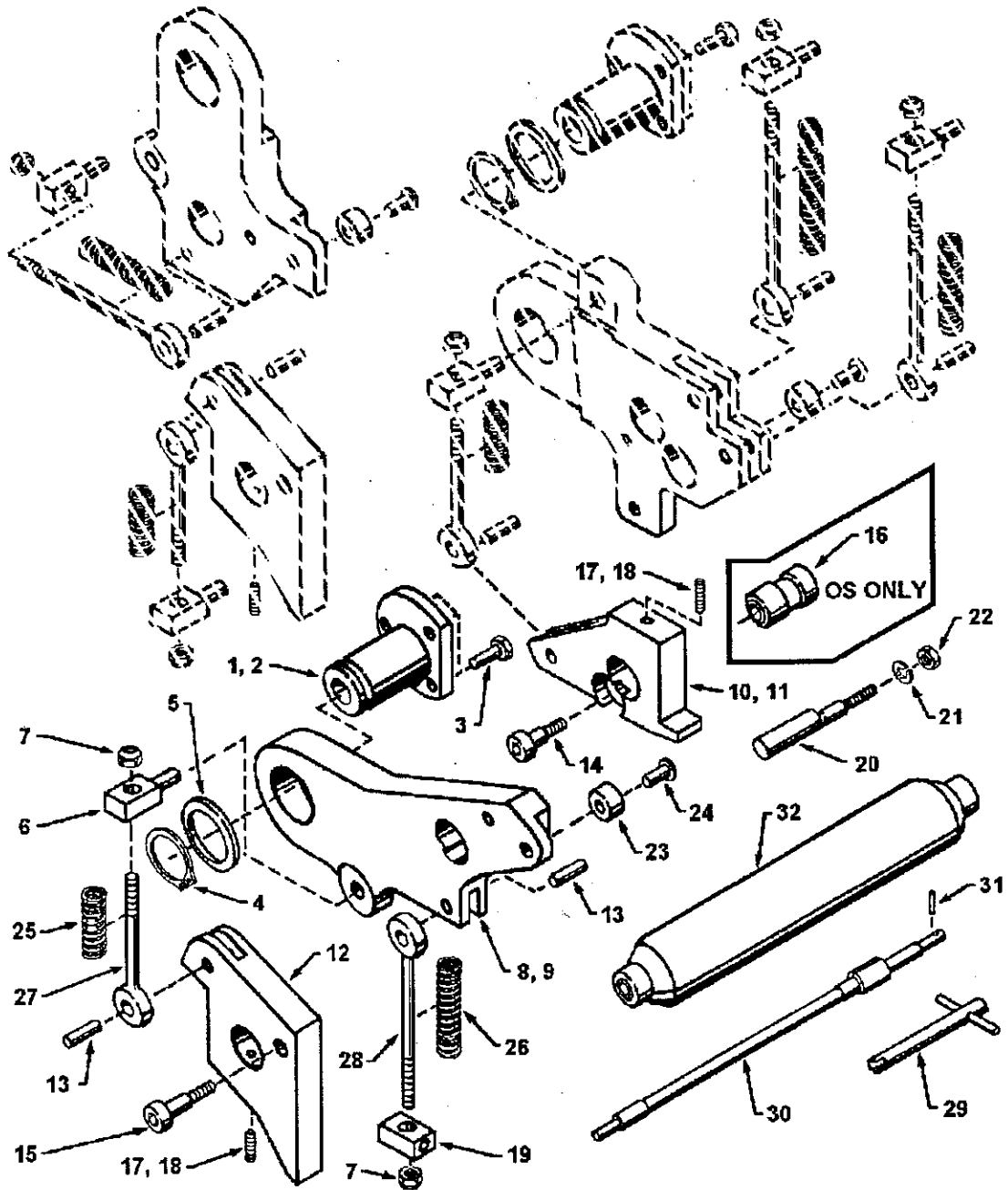
# TOWERS



## OSCILLATING AND FORM ROLLER BRACKETS -- PART 1

<u>FIGURE</u>	<u>PART NUMBER</u>	<u>DESCRIPTION</u>	<u>UNITS PER ASSEMBLY</u>
1	179097	PIVOT BLOCK	12
2	197398	SPRING -- compression	2
3	197414	SPRING -- compression	2
4	196860	SPRING -- compression	4
5	179449	BRACKET #2 OSCILLATING ASSEMBLY -- nos	1
6	179448	BRACKET #2 OSCILLATING ASSEMBLY -- os	1
7	196859	SPRING -- compression	6
8	172783	FORM SOCKET ASSEMBLY	4
9	196884	NUT -- hex	14
10	006825	SCREW -- set	3
11	197328	PLUNGER BALL	3
12	172779	OSCILLATING BRACKET #1 -- nos	1
13	172780	OSCILLATING BRACKET #2 -- os	1
14	173244	CAM ROLLER	6
15	173243	CAM ROLLER -- shaft	6
16	196873	PIN -- dowel	14
17	102042	SCREW -- hex head, 1/4-28 x 3/4"	12
18	173030	BEARING HOUSING -- oscillating shaft, nos	1
19	173026	BEARING HOUSING -- oscillating shaft, os	1
20	197419	RING -- snap, bowed	4
21	196850	WASHER -- thrust	4
22	179189	BOLT -- eye	6
23	172460	BOLT -- eye	6
24	172623	BOLT -- eye	2

# TOWERS





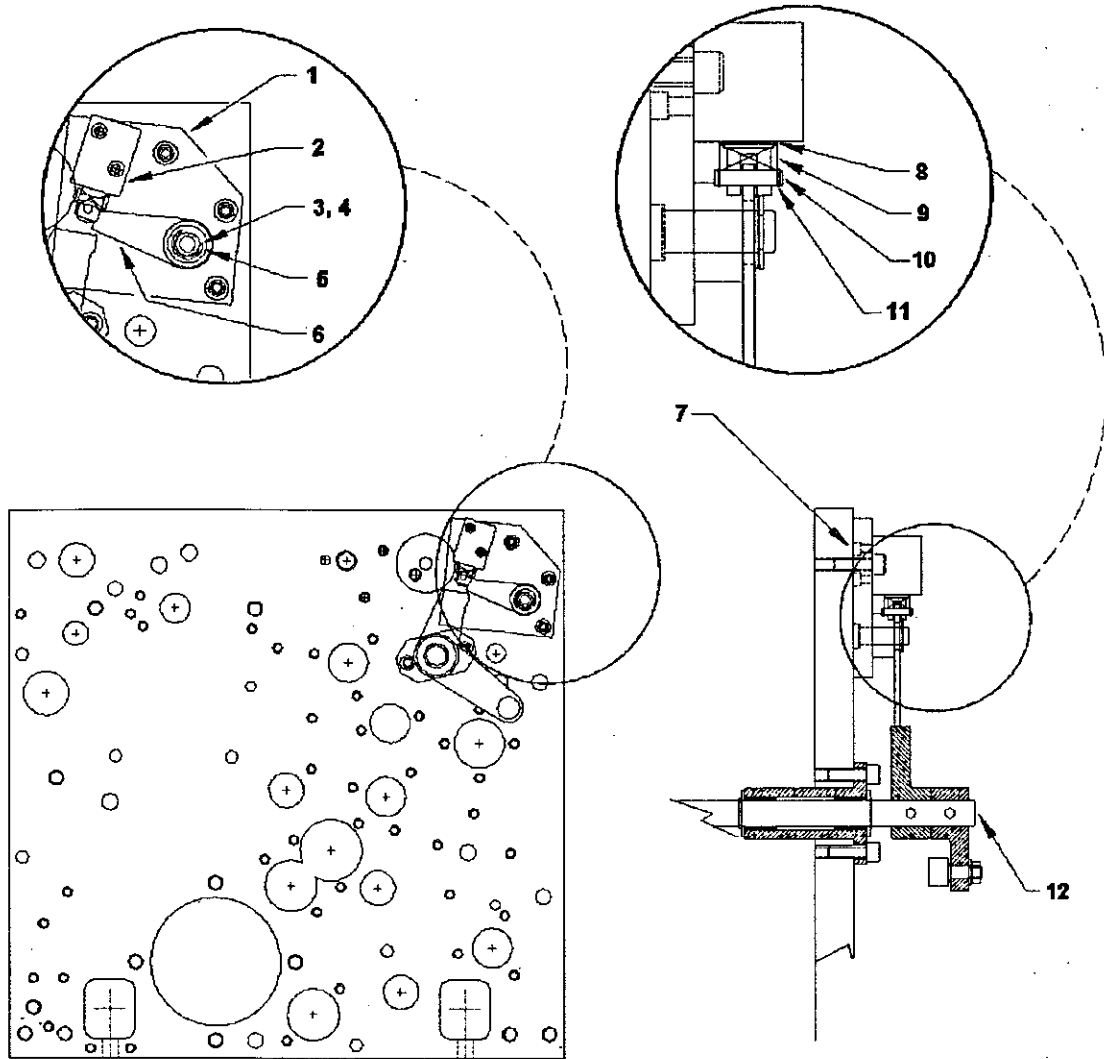
# TOWERS

## OSCILLATING AND FORM ROLLER BRACKETS -- PART 2

<u>FIGURE</u>	<u>PART NUMBER</u>	<u>DESCRIPTION</u>	<u>UNITS PER ASSEMBLY</u>
1	173031	BEARING HOUSING -- oscillating shaft, nos	1
2	173027	BEARING HOUSING -- oscillating shaft, os	1
3	102042	SCREW -- hex head, 1/4-28 x 3/4"	12
4	197419	RING -- snap, bowed	4
5	196850	WASHER -- thrust	4
6	197097	BLOCK -- pivot	12
7	196884	NUT -- hex, 1/4-20	14
8	179501	OSCILLATING BRACKET #3 ASSEMBLY -- nos	1
9	179500	OSCILLATING BRACKET #3 ASSEMBLY -- os	1
10	172781	FORM SOCKET #1 -- nos	1
11	172782	FORM SOCKET #1 -- os	1
12	172783	FORM SOCKET ASSEMBLY	4
13	196873	PIN -- dowel	14
14	178849	SCREW -- shoulder	1
15	196867	BOLT -- shoulder, precision	5
16	179220	SLEEVE -- form roller shaft, os	3
17	006825	SCREW -- set	3
18	197328	PLUNGER BALL	3
19	180888	BLOCK -- pivot	2
20	179110	STOP -- eccentric	6
21	001731	WASHER -- lock, 1/4" i.d.	6
22	001817	NUT -- 1/4-28	6
23	173244	CAM ROLLER	6
24	173243	CAM ROLLER -- shaft	6
25	196860	SPRING -- compression	4
26	196859	SPRING -- compression	6
27	172460	BOLT -- eye	6
28	179189	BOLT -- eye	6
29	179221	WRENCH ASSEMBLY	1
30	179218	SHAFT ASSEMBLY	3
31	102008	PIN -- drive lock type "E"	3
32	<del>XXXXXX</del>	FIRST INK FORM ROLLER	1
33	<del>XXXXXX</del>	SECOND INK FORM ROLLER	1
34	<del>XXXXXX</del>	THIRD INK FORM ROLLER	1

} SEE 3-1

# TOWERS

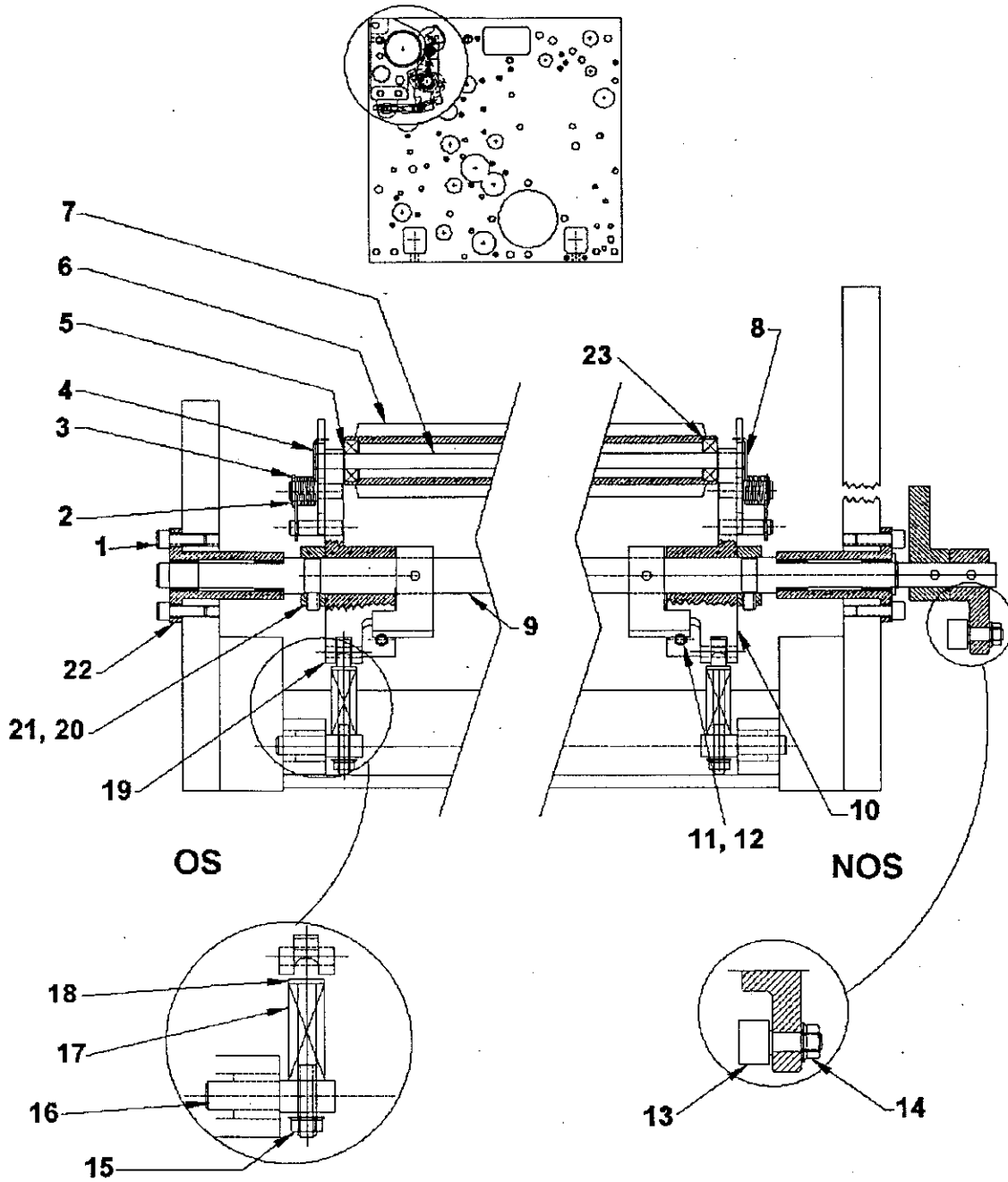


Outside View (NOS)

## MICRO-SWITCH ASSEMBLY

<u>FIGURE</u>	<u>PART NUMBER</u>	<u>DESCRIPTION</u>	<u>UNITS PER ASSEMBLY</u>
1	179990	PLATE ASSEMBLY -- ink lockout	1
2	253381	SOLENOID	1
3	100334	SCREW -- 10-32 x 3/4"	3
4	001052	WASHER -- .203 i.d., .500 o.d.	3
5	001080	RETAINING RING	1
6	179988	LEVER ASSEMBLY -- ink lockout	1
7	100820	SCREW -- 6/32 x 1/4"	2
8	192206	WASHER -- .385 i.d., .625 o.d.	1
9	192204	SPRING	1
10	190713	PIN	1
11	014515	RING -- plastic	2
12	179958	DUCTOR SHAFT ASSEMBLY	1

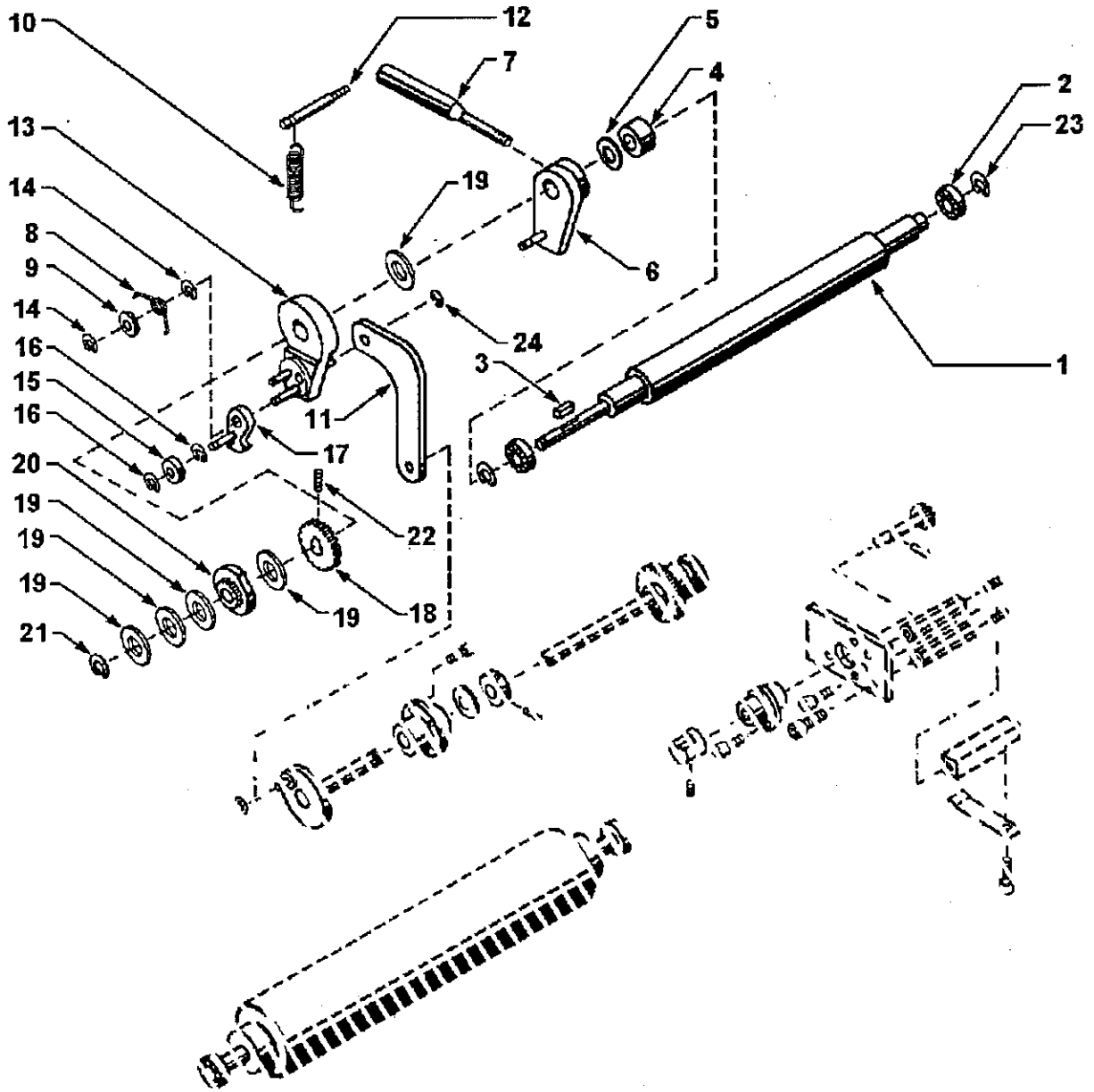
# TOWERS



## DUCTOR ROLLER ASSEMBLY

<u>FIGURE</u>	<u>PART NUMBER</u>	<u>DESCRIPTION</u>	<u>UNITS PER ASSEMBLY</u>
1	102042	SCREW -- hex head, 1/4-28 x 7/16"	4
2	102135	RETAINING RING	2
3	190149	WASHER -- .443 i.d., .697 o.d.	2
4	197014	SPRING -- torsion, os	1
5	001046	RETAINING RING	2
6	179961	INK DUCTOR ROLLER ASSEMBLY	1
7	179971	SHAFT -- ductor roller	1
8	197022	SPRING -- torsion, nos	1
9	172911	DUCTOR SHAFT ASSEMBLY	1
10	172917	INK DUCTOR ARM SUBASSEMBLY -- nos	1
11	102113	SCREW -- set, 1/4-28 x 1"	2
12	001817	NUT -- 1/4-28	2
13	196838	CAM ROLLER	1
14	001817	NUT -- 1/4-28	1
15	196884	NUT -- hex, 1/4-20	1
16	180281	PIN -- ink fountain	2
17	196860	SPRING -- compression	2
18	190631	SPACER -- T97S	2
19	172915	INK DUCTOR ARM SUBASSEMBLY	1
20	014390	SCREW -- set, 1/4-28 x 1/4"	2
21	080956	COLLAR	2
22	172924	BUSHING ASSEMBLY -- ductor arm	2
23	073310	BEARING	2

# TOWERS

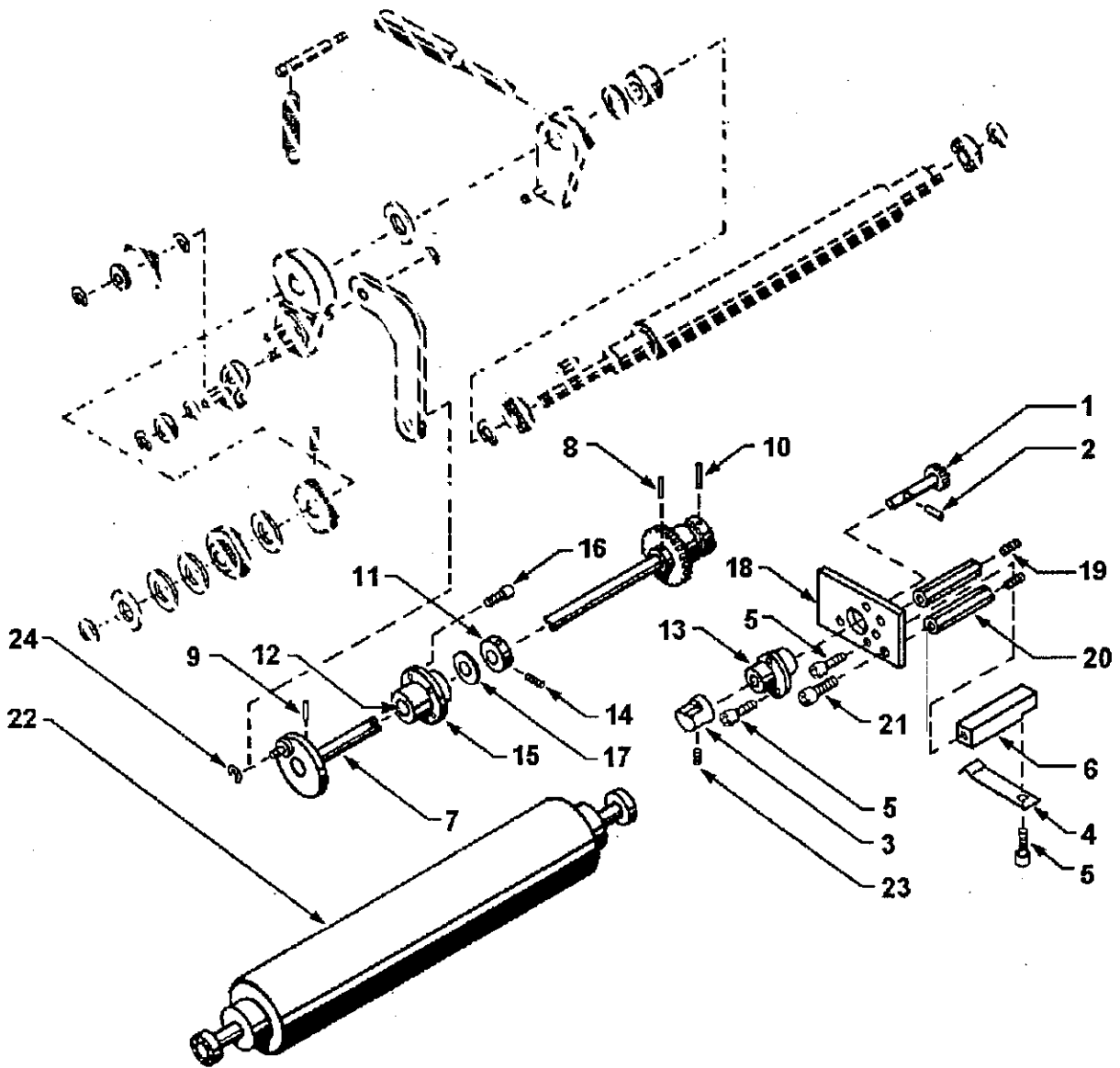


---

**INK FOUNTAIN RATCHET -- PART 1**

<u>FIGURE</u>	<u>PART NUMBER</u>	<u>DESCRIPTION</u>	<u>UNITS PER ASSEMBLY</u>
1	180330	ROLLER -- ink fountain	2
2	078520	BALL BEARING	2
3	197098	KEY -- square	2
4	197097	SPACER	2
5	197101	WASHER -- thrust	2
6	178986	HUB ASSEMBLY -- lever, ink	2
7	173210	HANDLE -- ratchet	2
8	080634	SPRING -- torsion	2
9	043106	WASHER	2
10	073325	SPRING	2
11	180914	LEVER -- crank	2
12	001991	PIN -- spring	2
13	179878	LEVER ASSEMBLY -- operating	2
14	001046	RETAINING RING -- 5/16" shaft	4
15	193774	ROLLER	2
16	001776	RING -- snap	4
17	178991	PAWL ASSEMBLY	2
18	180334	RATCHET	2
19	197102	WASHER -- thrust	10
20	178987	DIAL ASSEMBLY	2
21	001093	RETAINING RING	2
22	014108	SCREW -- set, 10-32 x 3/8"	4
23	001786	RETAINING RING	4
24	001095	RETAINING RING -- 5/16" shaft	4

# TOWERS

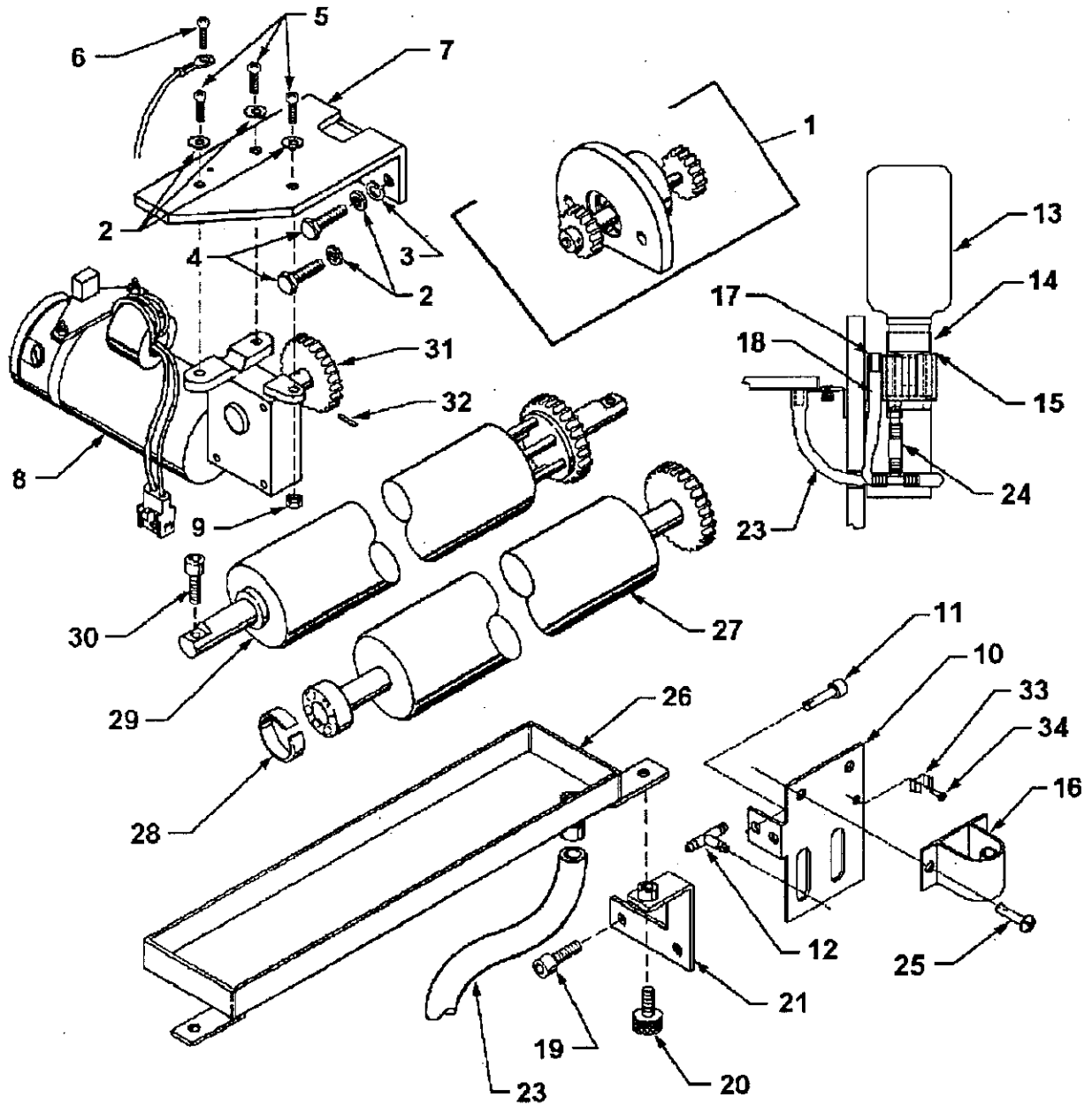




## INK FOUNTAIN RATCHET -- PART 2

<u>FIGURE</u>	<u>PART NUMBER</u>	<u>DESCRIPTION</u>	<u>UNITS PER ASSEMBLY</u>
1	180303	SHAFT ASSEMBLY	2
2	100400	PIN	2
3	197107	KNOB	2
4	180577	SPRING	2
5	014158	SCREW -- cap, 10-32 x 1/2"	10
6	180579	STAND OFF	2
7	172978	SHAFT ASSEMBLY -- ductor cam and ratchet	2
8	001936	PIN	2
9	014941	PIN	2
10	102108	PIN	2
11	180838	HOUSING ASSEMBLY	2
12	001461	BUSHING -- not illustrated	2
13	196997	WASHER -- thrust, .750 i.d. x .060	4
14	001573	SCREW -- set, 1/4-28 x 5/16"	4
15	197160	COLLAR	4
16	100653	SCREW -- cap, 1/4-28 x 3/4"	16
17	178995	HOUSING SHAFT	2
18	180578	PLATE	2
19	014313	SCREW -- set, 1/4-28 x 1"	4
20	180300	SPACER	4
21	014162	SCREW -- set, 1/4-28 x 1/2"	4
22	178949	ROLLER ASSEMBLY -- rider, jumbo	2
23	001095	RETAINING RING -- 5/16" shaft	4
24	014108	SCREW -- set, 10-32 x 3/8"	4

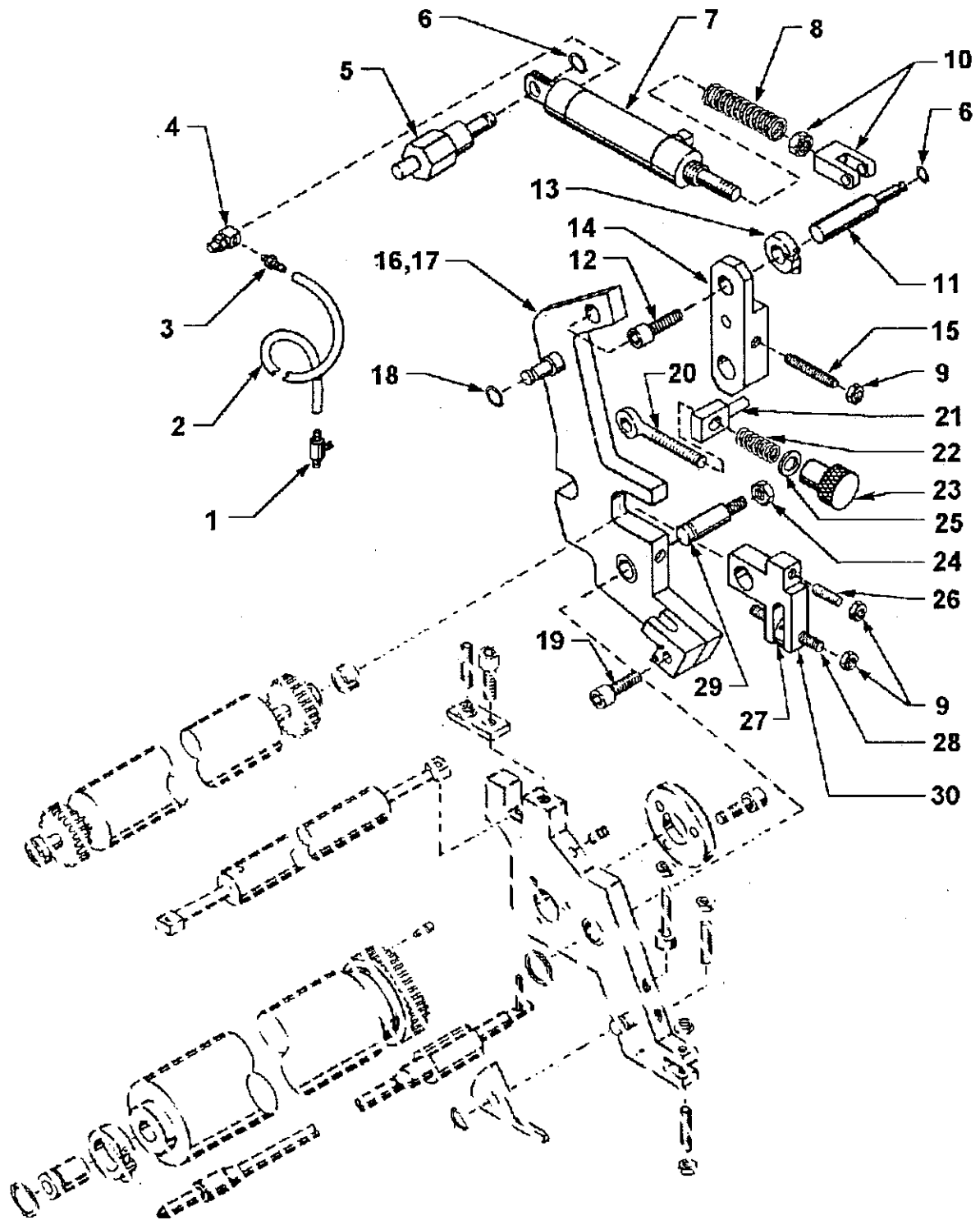
# TOWERS



## DAMPENER

<u>FIGURE</u>	<u>PART NUMBER</u>	<u>DESCRIPTION</u>	<u>UNITS PER ASSEMBLY</u>
1	178549	IDLER GEAR ASSEMBLY	2
2	021203	WASHER -- .254 i.d., .5 o.d.	10
3	001731	WASHER -- lock, 1/4" i.d.	10
4	100653	SCREW -- 1/4-28 x 3/4"	8
5	101086	SCREW -- 1/4-28 x 3/4"	6
6	001220	SCREW -- 10-32 x 3/8"	1
7	178595	BRACKET -- dampener motor	2
8	022499	MOTOR ASSEMBLY -- dampener	2
9	014807	NUT -- 1/4-28	6
10	180575	BRACKET -- bottle holder	2
11	100339	SCREW -- 1/4-28 x 3/8"	4
12	197327	TEE -- 3/8" tube	2
13	022524	BOTTLE -- dampener	2
14	017747	CAP VALVE ASSEMBLY	2
15	400543	WASHER -- rubber	2
16	180795	HOLDER -- bottle	2
17	001453	BUSHING	2
18	180441	HOSE -- fountain, 9"	2
19	014162	SCREW -- 1/4-28 x 1/2"	4
20	052187	SCREW -- knurled	2
21	180431	BRACKET ASSEMBLY -- nos fountain	2
22	180429	BRACKET ASSEMBLY -- os fountain (not illustrated)	2
23	180440	HOSE -- fountain, 6 1/2"	2
24	180439	HOSE -- fountain, 4"	2
25	102122	SCREW -- 1/4-28 x 1/2"	2
26	180433	FOUNTAIN ASSEMBLY	2
27	178535	ROLLER ASSEMBLY	2
28	178796	END CAP -- bearing roller	4
29	180519	ROLLER ASSEMBLY -- oscillating, chrome	2
30	014165	SCREW -- 1/4-28 x 1"	4
31	022650	GEAR -- motor drive	2
32	001978	PIN -- roll	2
33	250500	CLIP -- hose	1
34	100820	SCREW -- 6-32 x 1/4"	1

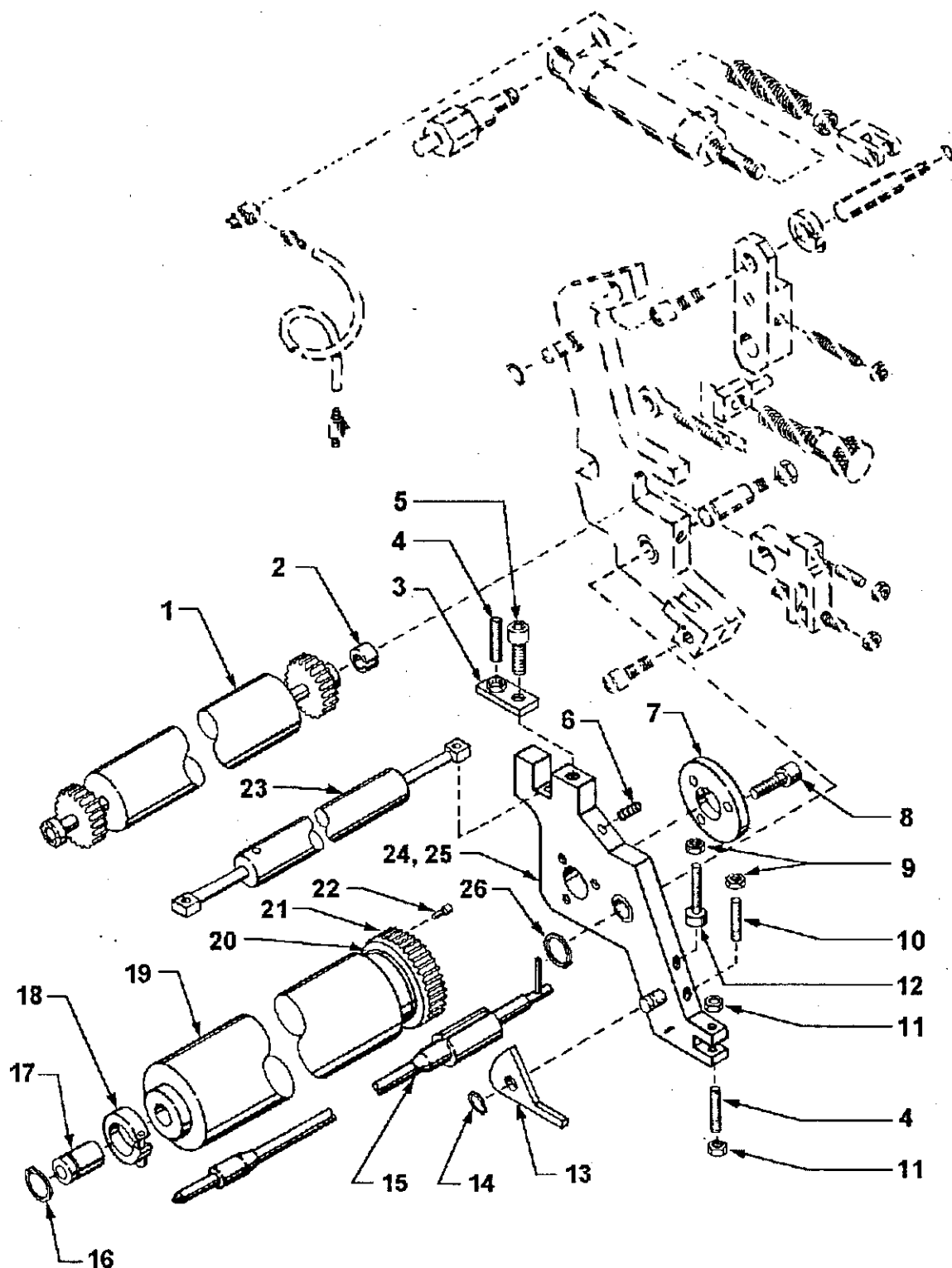
# TOWERS



## DAMPENER BRACKETS -- PART 1

<u>FIGURE</u>	<u>PART NUMBER</u>	<u>DESCRIPTION</u>	<u>UNITS PER ASSEMBLY</u>
1	179763	TEE	2
2	178407	TUBING	2
3	179815	BARB -- 10-32 x 1/16"	2
4	179813	FITTING -- swivel, 1/8" npt	2
5	179834	STAND OFF -- air cylinder	5
6	001060	RETAINING RING	4
7	172710	AIR CYLINDER	2
8	196881	SPRING -- compression	2
9	001817	NUT -- 1/4-28	10
10	179370	CLEVIS -- piston rod	2
11	178571	SHAFT	2
12	178553	SCREW -- set, 1/4-20 x 1/2"	2
13	196891	CLAMP -- collar	2
14	178512	BRACKET -- metering roller	2
15	102140	SCREW -- set, 1/4-28 x 1 3/4"	2
16	178556	BRACKET -- dampener, nos	1
17	178555	BRACKET -- dampener, os	1
18	001049	RETAINING RING	2
19	014165	SCREW	2
20	179098	BOLT -- swing	2
21	179097	BLOCK -- pivot	2
22	076124	SPRING	2
23	178522	NUT -- knurled	2
24	001845	NUT -- 3/8-24	2
25	191797	WASHER -- .265 i.d., .625 o.d.	2
26	102292	SCREW -- set, 1/4-28 x 1/2"	6
27	178575	SET SCREW ASSEMBLY	2
28	102294	SCREW -- set, 1/4-28 x 1 1/2"	2
29	178591	PIVOT -- dampener	2
30	172792	COVER	2

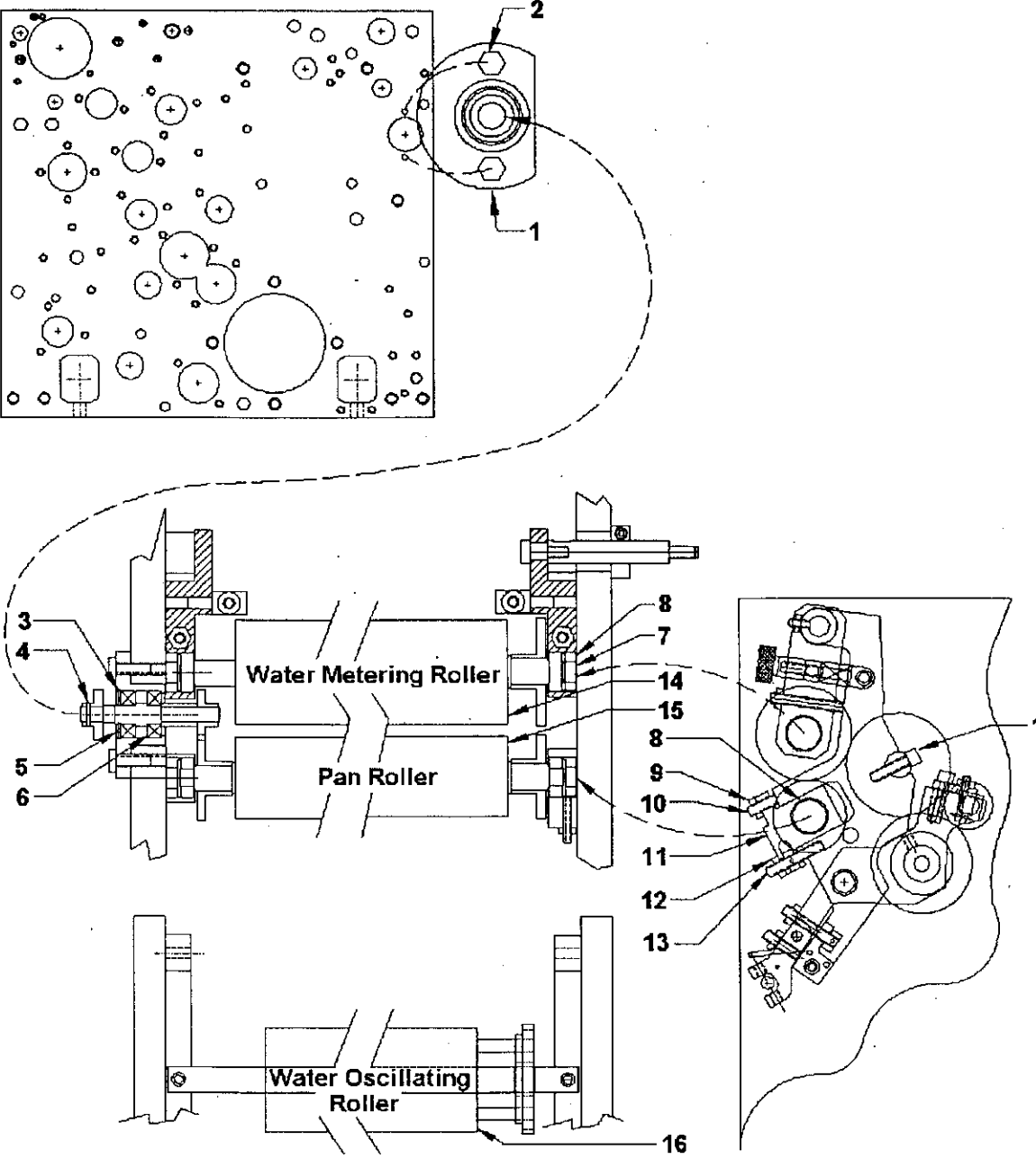
# TOWERS



## DAMPENER BRACKETS -- PART 2

<u>FIGURE</u>	<u>PART NUMBER</u>	<u>DESCRIPTION</u>	<u>UNITS PER ASSEMBLY</u>
1	178538	PAN ROLLER ASSEMBLY	1
2	178796	BRACKET -- roller, dampener	2
3	172792	COVER	2
4	102292	SCREW -- set, 1/4-28 x 1/2"	6
5	100653	SCREW -- cap, 1/4-28 x 3/4"	2
6	197328	PLUNGER -- ball	1
7	178411	RETAINER -- shaft	1
8	014164	SCREW -- 8-32 x 7/16"	3
9	001817	NUT -- 1/4-28	10
10	014313	SCREW -- set, 1/4-28 x 1/2"	2
11	150050	NUT -- 1/4-28	4
12	178576	SCREW	1
13	180425	DAMPENER -- cam	2
14	001049	RETAINING RING	2
15	178933	SHAFT ASSEMBLY	1
16	001787	RETAINING RING	1
17	178590	SLEEVE -- dampener, meeting roller	1
18	178414	CLAMP -- dampener, shaft roller	1
19	172977	FORM ROLLER	1
20	173234	SHIM -- dampener gear	1
21	172965	GEAR -- 38T, dampener form	1
22	014165	SCREW -- 1/4-28 x 1"	3
23	180844	OSCILLATING ROLLER ASSEMBLY	1
24	180555	BRACKET -- nos	1
25	180556	BRACKET -- os	1
26	001048	RETAINING RING	2

# TOWERS



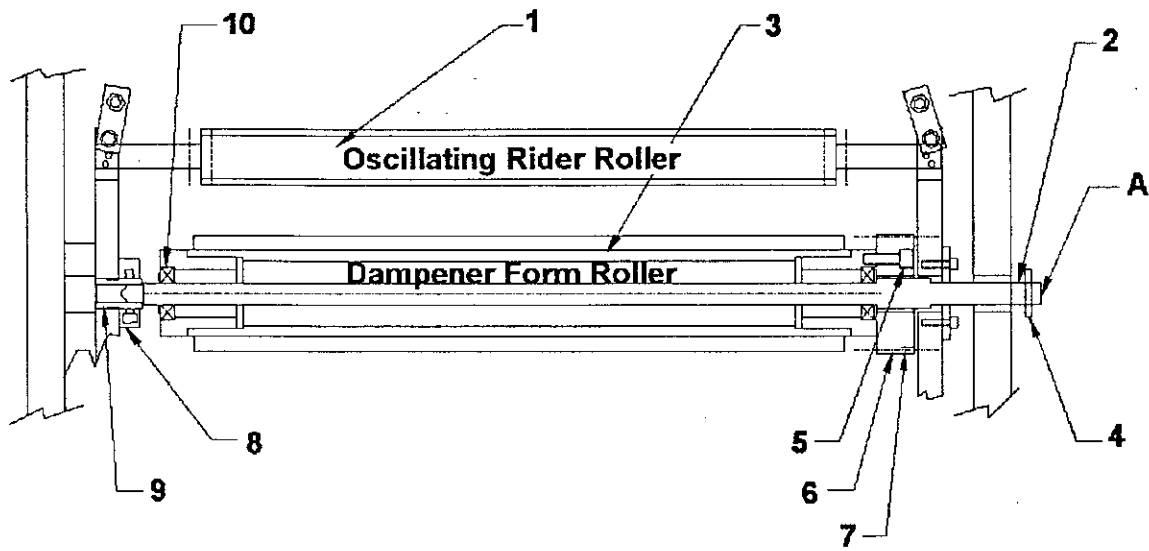
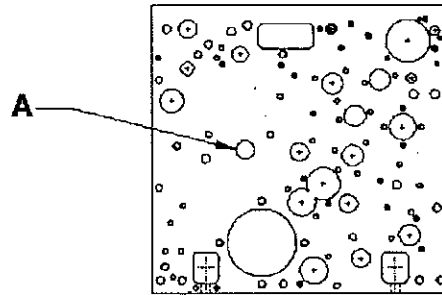


## DAMPENER ROLLERS

<u>FIGURE</u>	<u>PART NUMBER</u>	<u>DESCRIPTION</u>	<u>UNITS PER ASSEMBLY</u>
1	178549	IDLER GEAR ASSEMBLY	1
2	100201	SCREW -- 1/4-28 x 7/8"	2
3	102083	RETAINING RING	1
4	102084	PIN -- taper	2
5	102082	RETAINING RING	1
6	102085	BALL BEARING	2
7	102001	BALL BEARING	2
8	178796	END CAP -- roller dampener	2
9	001817	NUT -- 1/4-28	2
10	102038	SCREW -- set, 1/4-28 x 1 1/2"	2
11	178544	HOLDER -- bearing roller	2
12	001974	PIN -- roll	2
13	179374	DISC -- stop	2
14	178535	ROLLER ASSEMBLY -- water metering	1
15	178538	ROLLER ASSEMBLY -- pan	1
16	180519	ROLLER ASSEMBLY -- water oscillating	1
17	014165	SCREW -- 1/4-28 x 1"	2
14	114021	ROLLER - WATER METER - NEW STYLE (W/GEAR)	
14	113631	" " " " " (W/O GEAR)	

# TOWERS

---

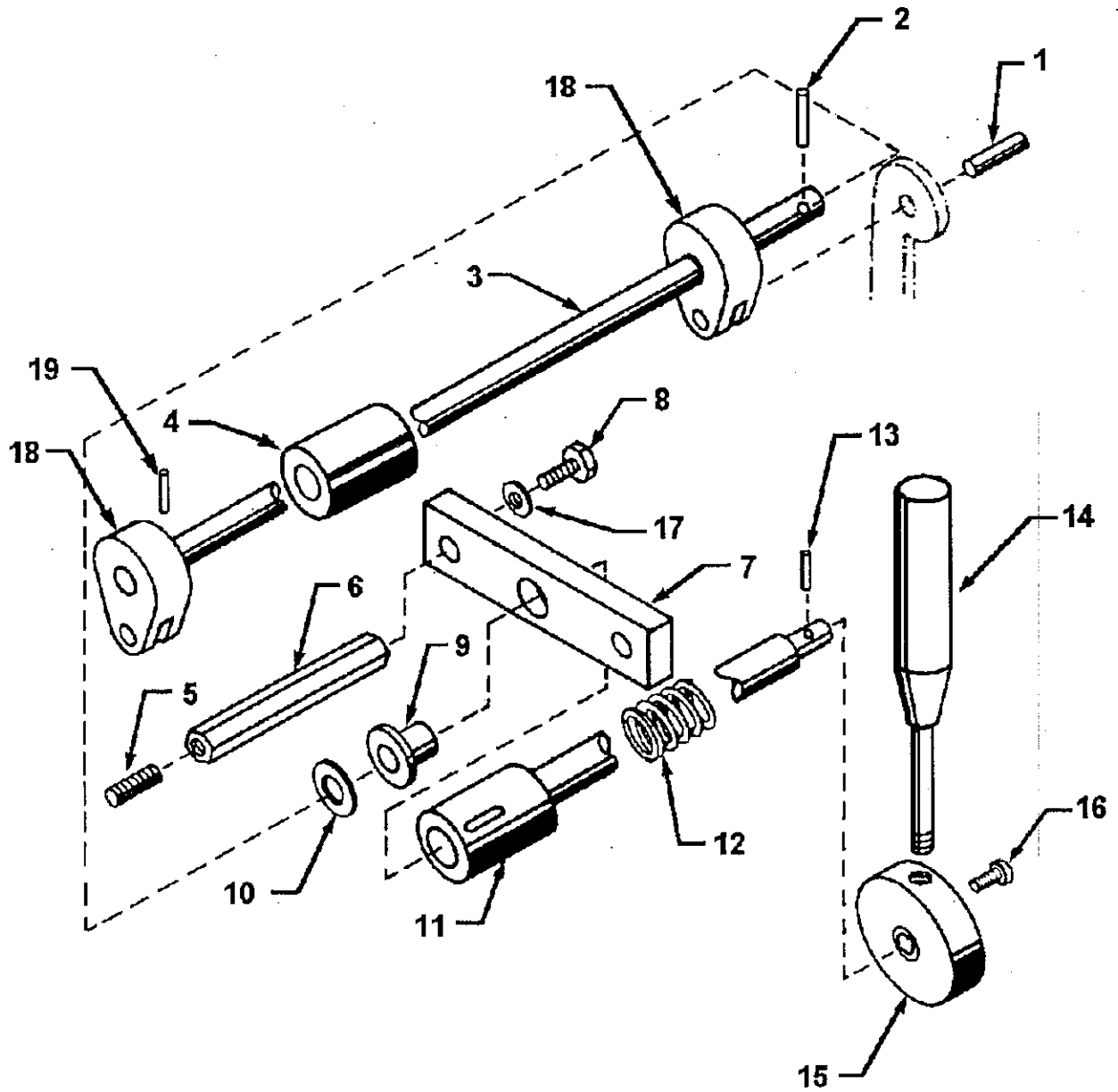


**NOTE: View from the  
back of the machine**

## OSCILLATING RIDER ROLLER/DAMPENER FORM ROLLER

<u>FIGURE</u>	<u>PART NUMBER</u>	<u>DESCRIPTION</u>	<u>UNITS PER ASSEMBLY</u>
1	180844	OSCILLATING RIDER ROLLER ASSEMBLY	1
2	178933	DAMPENER FORM ROLLER SHAFT ASSEMBLY	1
3	172977	DAMPENER FORM ROLLER	1
4	102008	PIN -- drive lock	1
5	014165	SCREW -- 1/4-28 x 1"	3
6	172965	GEAR -- 38T, dform	1
7	173234	SHIM -- dampener gear	1
8	178414	CLAMP SHAFT -- dampener roller	1
9	178590	SLEEVE -- mtg, dampener roller	1
10	102132	BALL BEARING	2

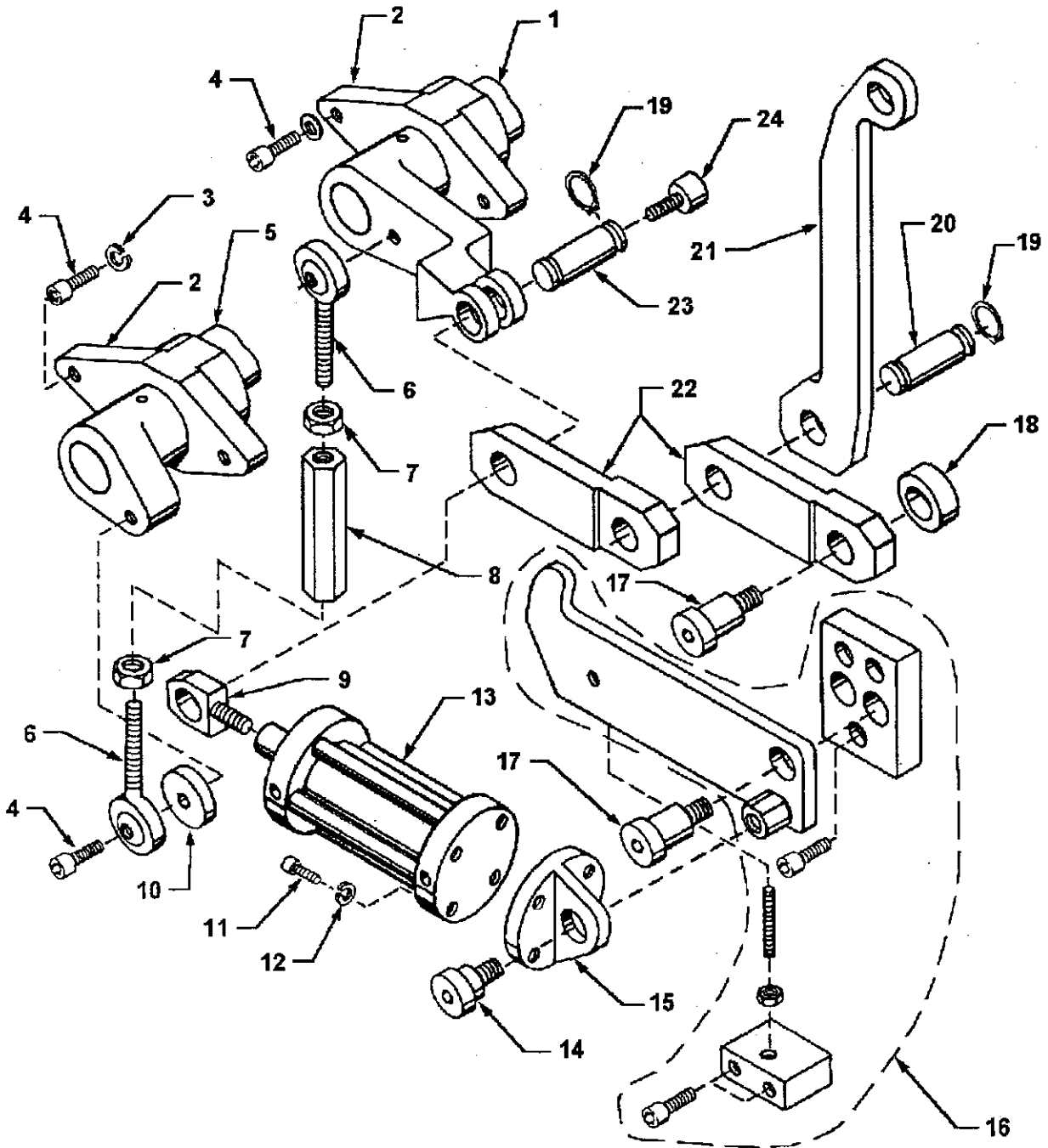
# TOWERS



## NIGHT LATCH

<u>FIGURE</u>	<u>PART NUMBER</u>	<u>DESCRIPTION</u>	<u>UNITS PER ASSEMBLY</u>
1	179178	PIN	2
2	001986	PIN -- roll, 3/16" o.d. x 1 1/4"	1
3	179183	SHAFT ASSEMBLY -- night latch	1
4	102026	BEARING -- sleeve, inside frame	2
5	102025	SCREW -- set, 3/8-24 x 1"	2
6	179120	STAND OFF	2
7	180695	BLOCK ASSEMBLY	1
8	100860	SCREW -- 3/8-24 x 1"	2
9	197220	BUSHING -- flanged	1
10	014761	WASHER -- plain, 5/8 i.d. x .030"	2
11	180698	SHAFT ASSEMBLY -- extension	1
12	196847	SPRING -- compression	1
13	001986	PIN -- roll	1
14	178368	HANDLE ASSEMBLY -- night latch	1
15	180697	HUB	1
16	056530	SCREW -- special	1
17	001763	WASHER -- lock, .385 i.d., .673 o.d.	2
18	179177	NIGHT LATCH	4
19	001936	PIN -- taper	4

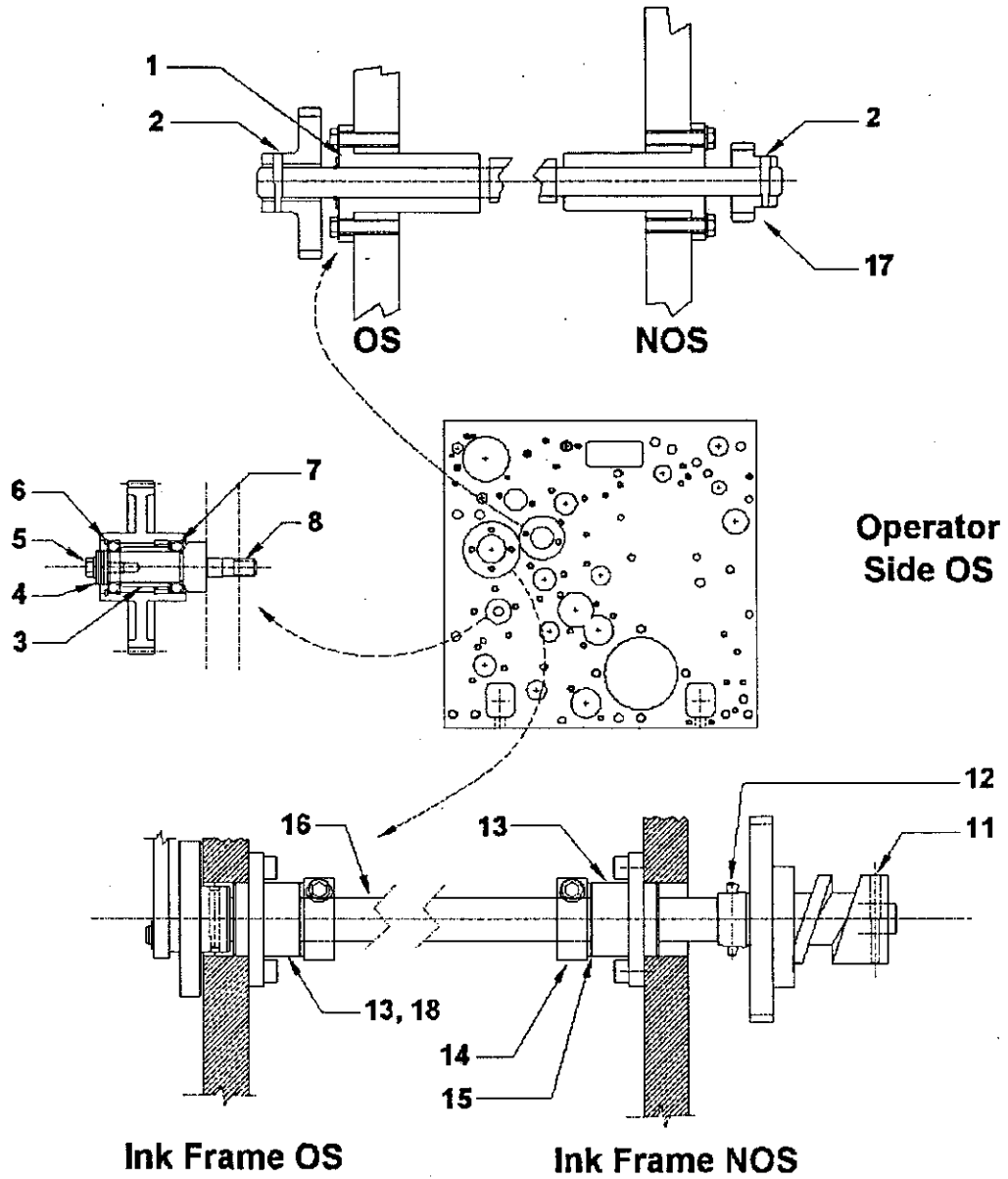
# TOWERS



## FORM ON/OFF LINKAGE

<u>FIGURE</u>	<u>PART NUMBER</u>	<u>DESCRIPTION</u>	<u>UNITS PER ASSEMBLY</u>
1	179332	CAM SHAFT ASSEMBLY -- upper, nos	2
1	179193	CAM SHAFT ASSEMBLY -- upper, os (not illustrated)	2
2	179090	HOUSING ASSEMBLY -- bearing	8
3	192797	WASHER -- lock, .260 i.d., .489 o.d.	16
4	014165	SCREW	24
5	179192	CAM SHAFT ASSEMBLY -- lower, os	2
5	179333	CAM SHAFT ASSEMBLY -- lower, nos (not illustrated)	2
6	196840	BEARING -- red end	8
7	001817	NUT -- jam, 1/4-28	8
8	196840	BEARING -- 6-rod end	4
9	179199	CLEVIS -- air cylinder	4
10	074230	SPACER	8
11	102029	SCREW -- 6-32 x 3/4"	16
12	202604	WASHER -- lock, #12	16
13	<del>179216</del>	AIR CYLINDER	4
14	102027	SCREW -- shoulder, 3/8-16 x 5/8"	4
15	179198	BASE -- air cylinder	4
16	180411	CAM -- air cylinder, os	2
16	180412	CAM -- air cylinder, nos (not illustrated)	2
17	196834	BOLT -- stripper	4
18	196835	SPACER	4
19	100576	RETAINING RING	16
20	196839	PIN -- link, night latch	4
21	178596	LINK -- arm	4
22	179116	LINK	8
23	179114	PIN -- clevis, air cylinder	4
24	196838	ROLLER -- cam	4

# TOWERS





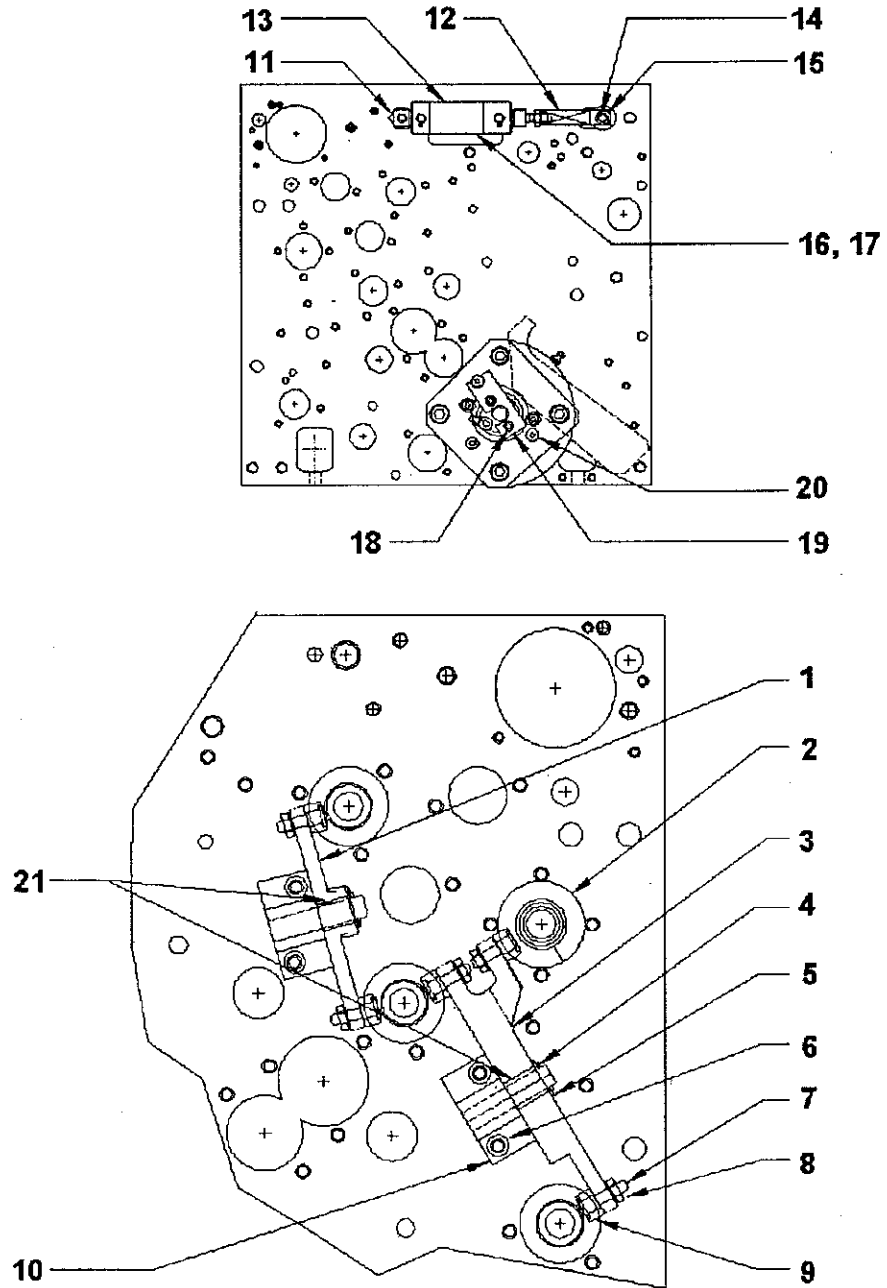
---

 OSCILLATING SHAFT/STEP DOWN SHAFT

<u>FIGURE</u>	<u>PART NUMBER</u>	<u>DESCRIPTION</u>	<u>UNITS PER ASSEMBLY</u>
1	172924	BUSHING ASSEMBLY -- ductor	2
2	014941	PIN -- taper	2
3	172946	IDLER GEAR ASSEMBLY	1
4	191384	WASHER -- .256 i.d., .750 o.d.	4
5	111073	SCREW -- 1/4-28 x 5/8"	1
6	102246	RETAINING RING	1
7	102245	BALL BEARING	2
8	172942	STUD -- idler gear	1
9	001845	NUT -- 3/8-24	1
10	001763	WASHER -- lock, .385 i.d., .673 o.d.	1
11	102108	PIN -- taper	1
12	001936	PIN -- taper	1
13	180838	BUSHING ASSEMBLY	2
14	197160	COLLAR -- shaft	2
15	196997	WASHER -- thrust, .750 i.d., 1.250 o.d.	2
16	172978	CAM SHAFT ASSEMBLY	1
17	172975	CROSS SHAFT ASSEMBLY	1
18	001461	BUSHING	1

# TOWERS

---

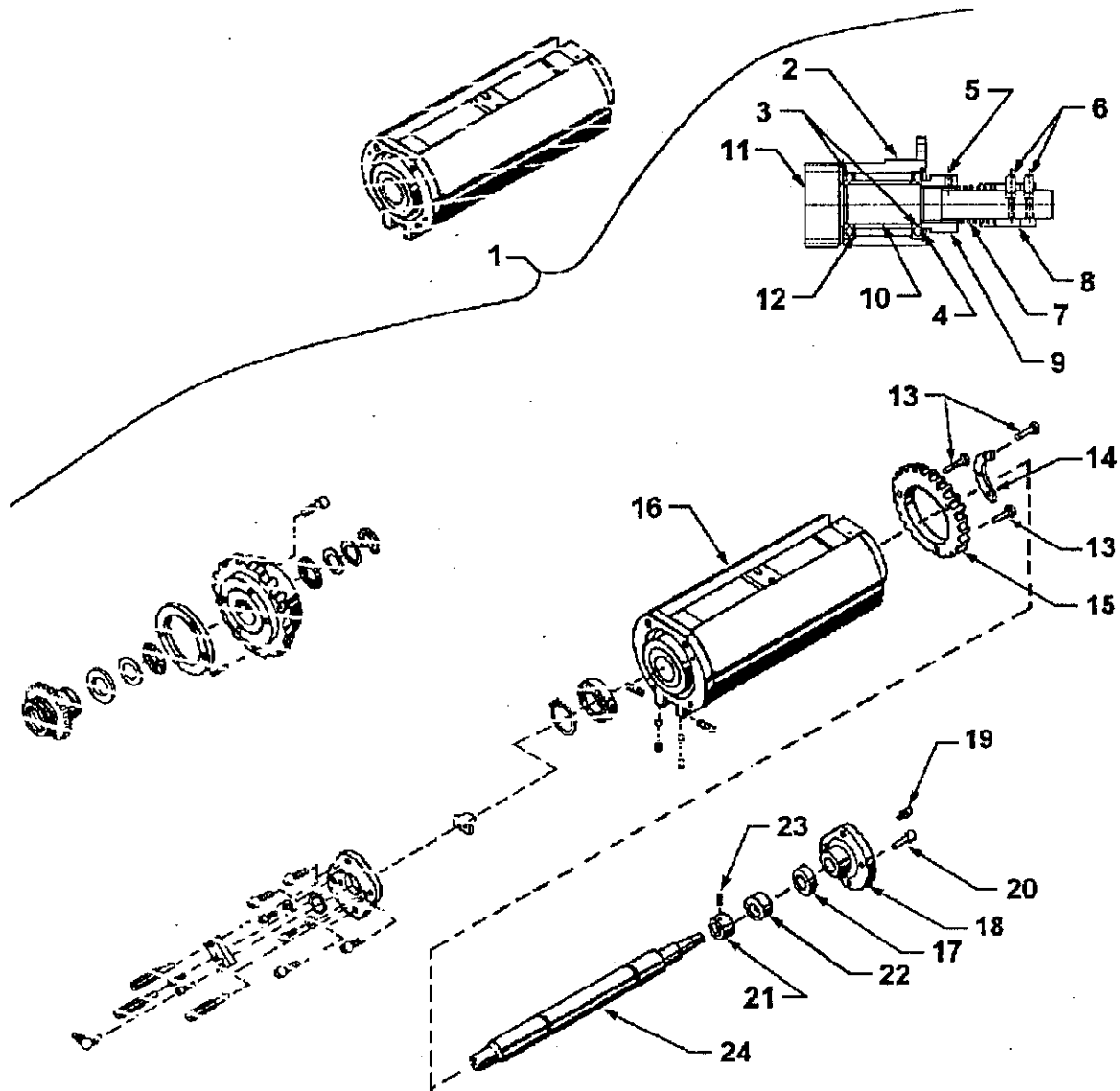


Outside View (NOS)

## OSCILLATOR DRIVE/DAMPENER ON/OFF

<u>FIGURE</u>	<u>PART NUMBER</u>	<u>DESCRIPTION</u>	<u>UNITS PER ASSEMBLY</u>
1	172213	LEVER	1
2	073482	COUPLING ROLL	3
3	179123	LEVER	1
4	001080	RETAINING RING	2
5	192766	WASHER -- .385 I.D., .755 O.D.	2
6	100653	SCREW -- cap	4
7	080298	SCREW -- 1/4-28 x 3/4"	5
8	101051	NUT -- 10-32	5
9	080299	ROLLER	5
10	179185	BLOCK ASSEMBLY	2
11	179834	STAND OFF AIR CYLINDER	2
12	196881	SPRING -- compression	2
13	172710	AIR CYLINDER	2
14	001060	RETAINING RING	4
15	179370	CLEVIS -- piston rod	2
16	179813	FITTING SWIVEL -- 1/8"	2
17	179815	BARB	2
18	100653	SCREW -- cap, 1/4-28 x 3/4"	2
19	180363	STOP	1
20	179163	STAND OFF	3
21	014600	BUSHING -- oilite	

# TOWERS

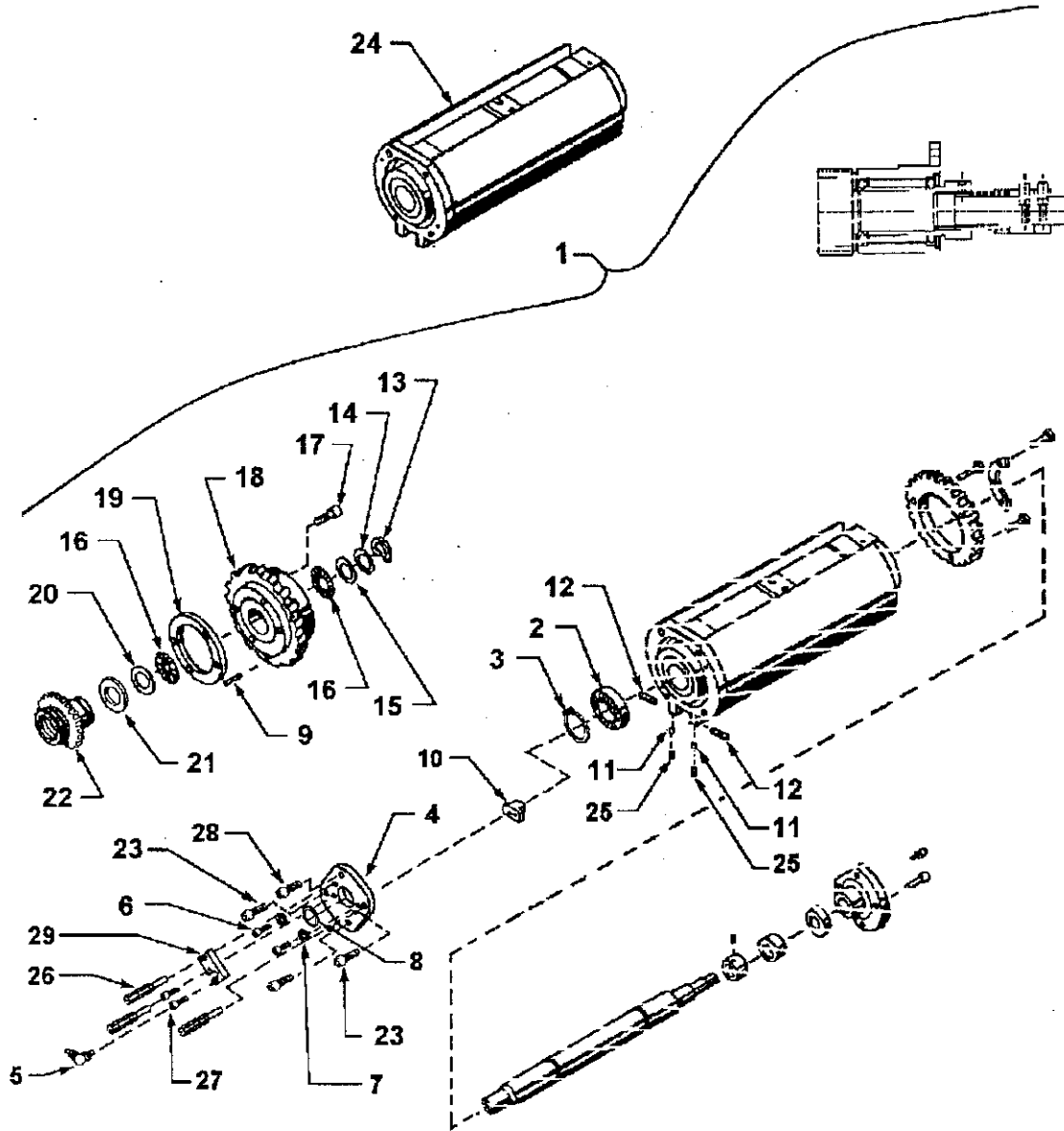


## MASTER CYLINDER -- PART 1

<u>FIGURE</u>	<u>PART NUMBER</u>	<u>DESCRIPTION</u>	<u>UNITS PER ASSEMBLY</u>
1	173964	MASTER CYLINDER -- tower one	1
2	172904	HOUSING -- idler gear	2
3	102245	BALL BEARING -- radial	4
4	102246	RETAINING RING	2
5	102247	SCREW -- set	2
6	081609	CRANK	4
7	195930	SPRING	2
8	172906	SLEEVE	2
9	172905	NUT	2
10	172907	SPACER	2
11	172903	GEAR AND MAIN IDLER	2
12	102263	WASHER -- spring	4
13	014274	SCREW -- 1/4-28 x 11/16"	12
14	179171	CLAMP -- bearing	4
15	179018	GEAR -- spur, nos	2
16	172522	CYLINDER -- master	2
17	102236	BALL BEARING	2
18	179170	HUB -- support, cylinder, nos	2
19	196832	FITTING -- grease, nos	2
20	100860	SCREW -- cap, 3/8-24 x 1"	16
21	173370	NUT -- bearing preload	2
22	173371	SPACER -- bearing preload	2
23	102243	SCREW -- set, 1/4-20 x 3/16"	2
24	179056	SHAFT -- master cylinder	2

173140 CLAMP WRENCH

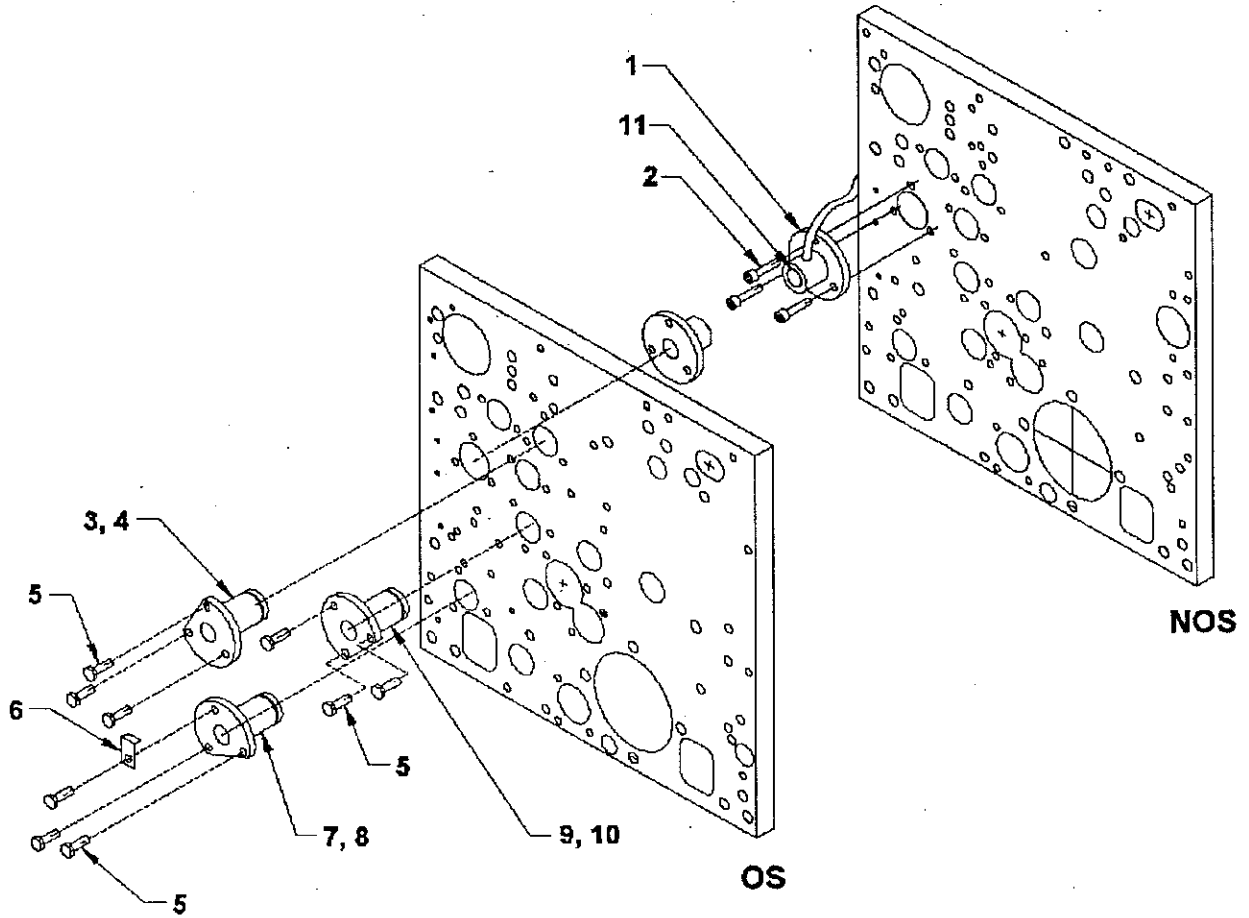
# TOWERS



## MASTER CYLINDER -- PART 2

<u>FIGURE</u>	<u>PART NUMBER</u>	<u>DESCRIPTION</u>	<u>UNITS PER ASSEMBLY</u>
1	173964	MASTER CYLINDER -- tower one	1
2	102236	BALL BEARING	2
3	173376	RETAINING RING	2
4	179150	HUB -- support, cylinder, os	2
5	197106	FITTING -- grease, os	2
6	100339	SCREW -- cap, 1/4-28 x 3/8"	2
7	091203	WASHER -- 1/4 i.d. x 1/2 o.d. x 1/32"	2
8	180362	SEAL -- grease	2
9	192230	PIN -- dowel	4
10	172402	BLOCK -- dog	2
11	172404	INSERT -- brass	2
12	014386	SCREW -- set	2
13	102018	RETAINING RING	2
14	102023	WASHER -- spring	4
15	196831	WASHER -- thrust, thick	1
16	102019	BEARING -- needle, thrust	2
17	014304	SCREW -- cap, 1/4-28 x 1 1/2"	4
18	172721	GEAR -- dog assembly	1
19	179152	PLATE -- thrust	1
20	196830	WASHER -- thrust, thin	1
21	180361	SEAL -- v-ring	1
22	179151	GEAR -- adjust, rotation	1
23	100860	SCREW -- cap, 3/8-24 x 1"	6
24	173965	MASTER CYLINDER -- tower two	1
25	014386	SCREW -- set	2
26	179163	STAND OFF	3
27	100653	SCREW -- cap	2
28	102047	SCREW -- cap	1
29	180363	STOP	1

# TOWERS

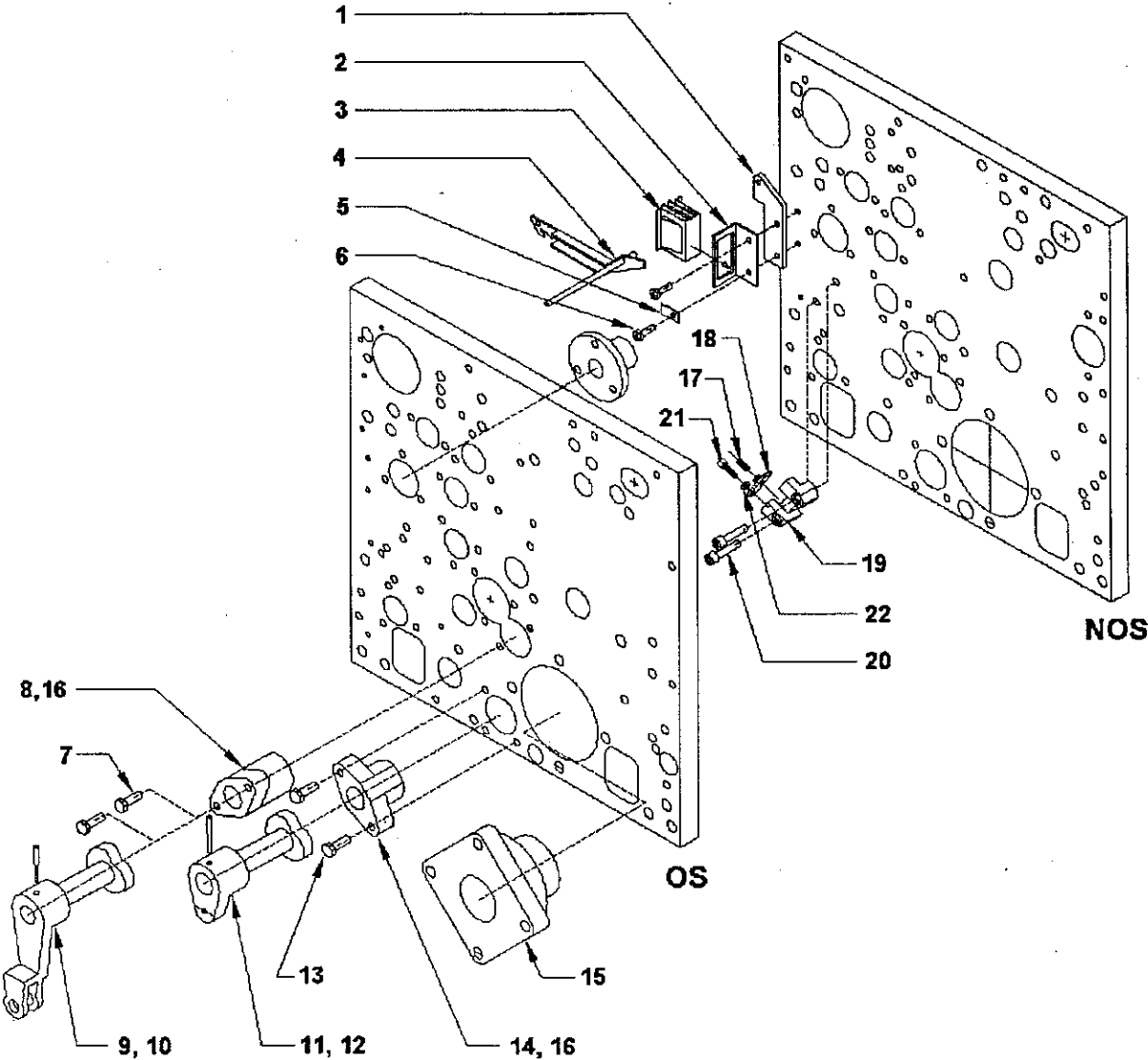




## BEARING HOUSINGS -- PART 1

<u>FIGURE</u>	<u>PART NUMBER</u>	<u>DESCRIPTION</u>	<u>UNITS PER ASSEMBLY</u>
1	180838	BUSHING HOUSING	2
2	100653	SCREW	6
3	173025	BEARING HOUSING -- oscillating shaft, os	1
4	173029	BEARING HOUSING -- oscillating shaft, nos	1
5	102042	SCREW -- hex head, cp	6
6	180282	CLIP -- tube ret.	1
7	173027	BEARING HOUSING -- oscillating shaft, os	1
8	173031	BEARING HOUSING -- oscillating shaft, nos	1
9	173026	BEARING HOUSING -- oscillating shaft, os	1
10	173030	BEARING HOUSING -- oscillating shaft, nos	1
11	001461	BUSHING	2

# TOWERS



## BEARING HOUSINGS -- PART 2

<u>FIGURE</u>	<u>PART NUMBER</u>	<u>DESCRIPTION</u>	<u>UNITS PER ASSEMBLY</u>
1	180873	LATCH -- support, tower one only	2
2	178355	BRACKET -- magnet	2
3	101548	CATCH -- magnetic	3
4	178199	LATCH ASSEMBLY -- tower one only	2
5	180490	CLIP -- tubing	2
6	001555	SCREW -- 10-32 x 1/2"	4
7	021159	SCREW -- 1/4-28 x 1 1/4"	4
8	179090	BEARING HOUSING ASSEMBLY	2
9	179193	SHAFT ASSEMBLY -- os	1
10	179332	SHAFT ASSEMBLY -- nos	1
11	179192	SHAFT ASSEMBLY -- os	1
12	179333	SHAFT ASSEMBLY -- nos	1
13	021159	SCREW -- 1/4-28 x 1 1/4"	2
14	179090	BEARING HOUSING ASSEMBLY -- cam pivot shaft	2
15	179170	HUB -- cylinder support, nos	1
16	014618	BUSHING	4
17	102293	SCREW -- special, 1/4-28 x 1 1/4"	2
18	172792	PLATE -- retainer, bearing, cover, large adjustment	2
19	179081	BEARING -- retainer	2
20	014157	SCREW -- cap, 1/4-28 x 1 1/4"	4
21	014162	SCREW -- 1/4-28 x 1/2"	2
22	001726	WASHER -- 1/4 x 7/16"	1

# TOWERS

---

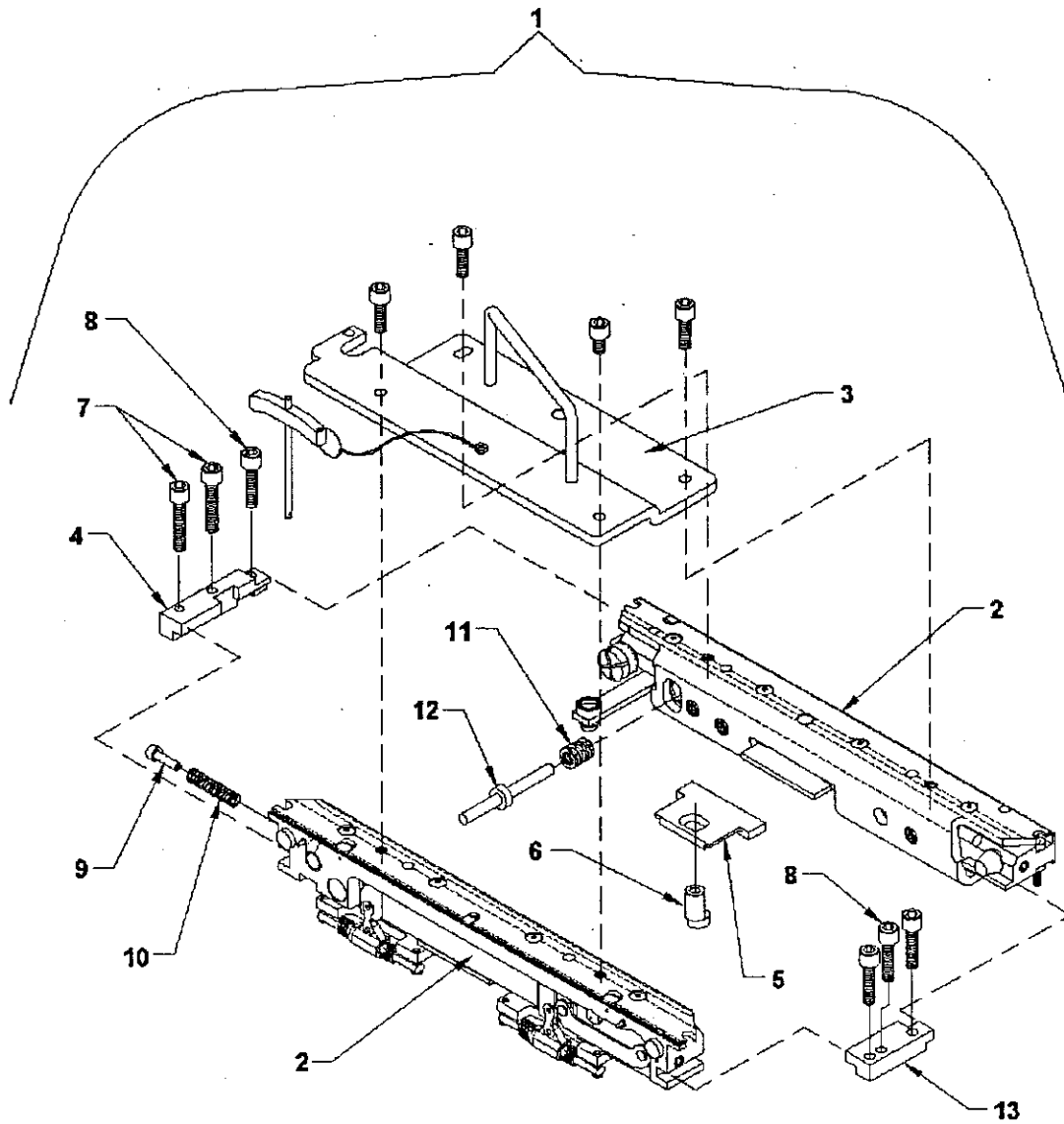
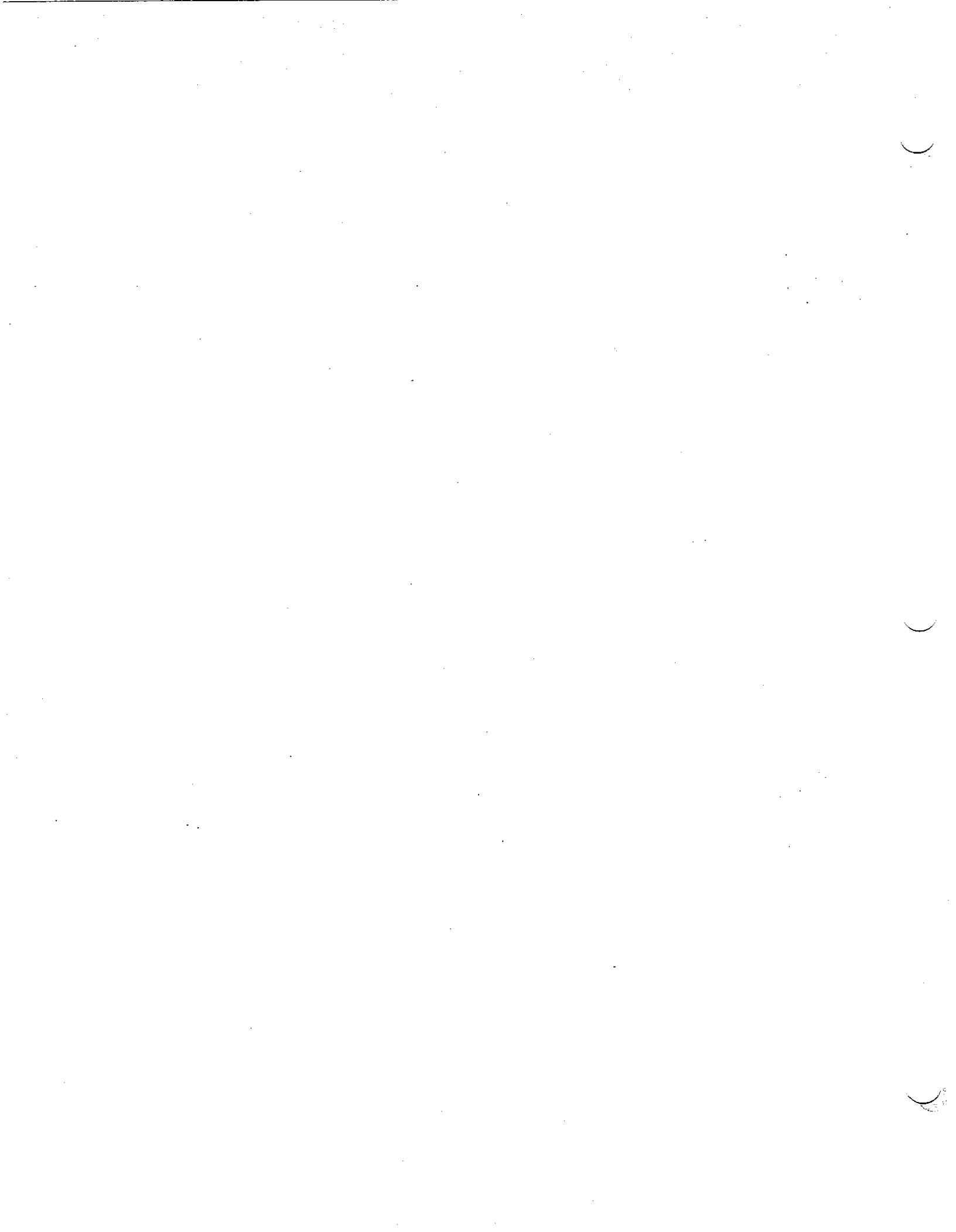


PLATE CLAMP ASSEMBLY

<u>FIGURE</u>	<u>PART NUMBER</u>	<u>DESCRIPTION</u>	<u>UNITS PER ASSEMBLY</u>
1	173943*	CLAMP -- plate cylinder	1
2	173400	PLATE CLAMP ASSEMBLY	1
2	172731	CLAMP -- lead	1
2	172732	CLAMP -- trail	1
3	173158	INSTALLATION TOOL	1
4	180881	RETAINER -- base, nos	1
5	172437	PUSHER -- plate clamp	1
6	172438	CRANK	1
7	102291	SCREW -- 1/4-28 x 1"	2
8	102290	SCREW -- 1/4-28 x 3/4"	4
9	180581	SPRING -- nose	1
10	197168	SPRING -- compression	1
11	197209	SPRING -- compression	1
12	172223	PIN -- preload	1
13	172399	GUIDE -- trailing, os	1

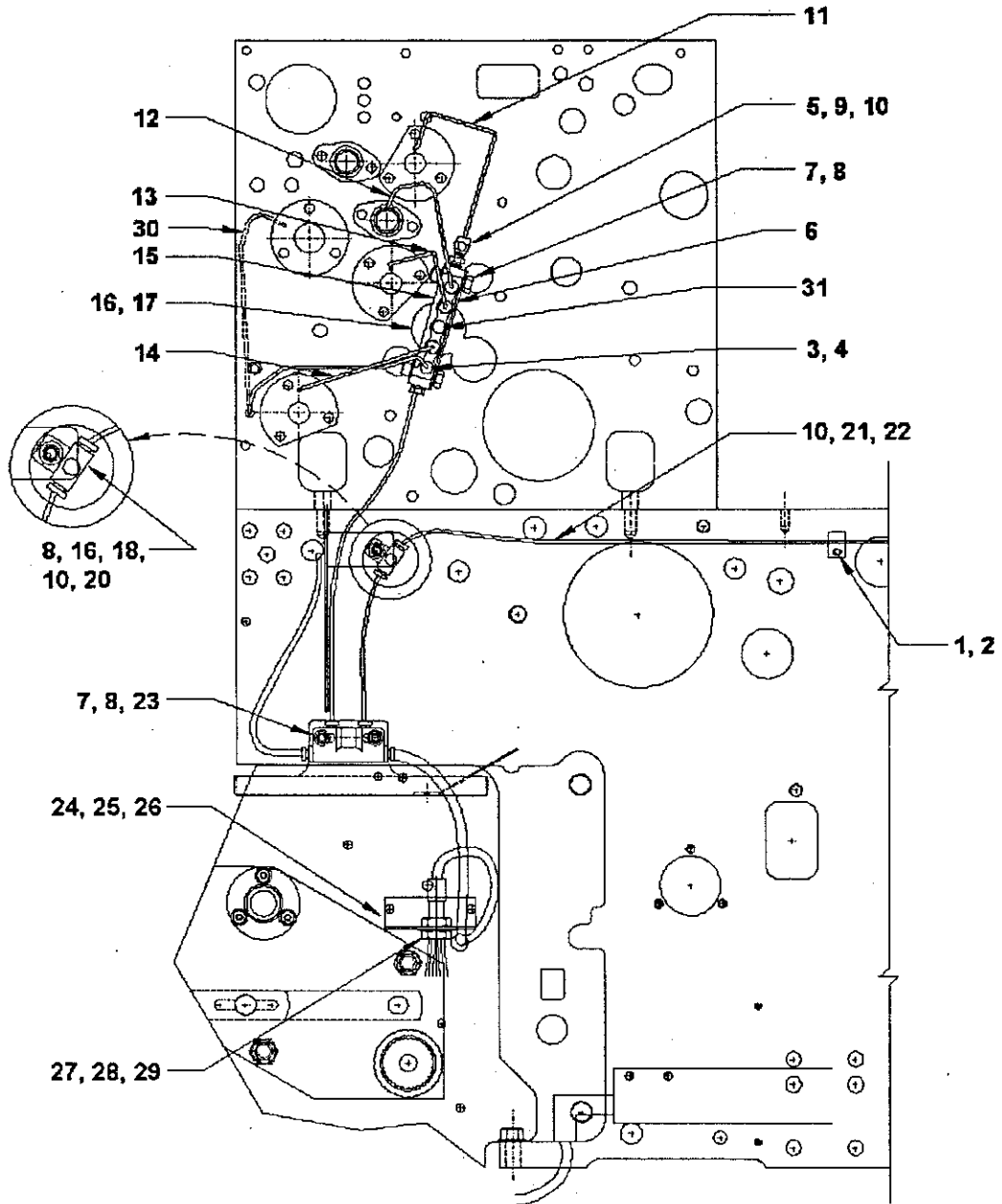
\* Affix green tag and return part if found defective.



## ***Oiling System***

---

# OILING SYSTEM



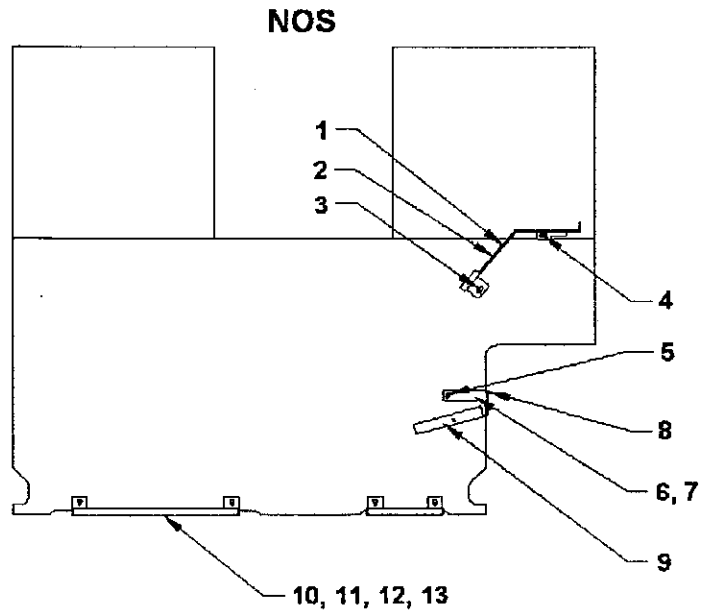
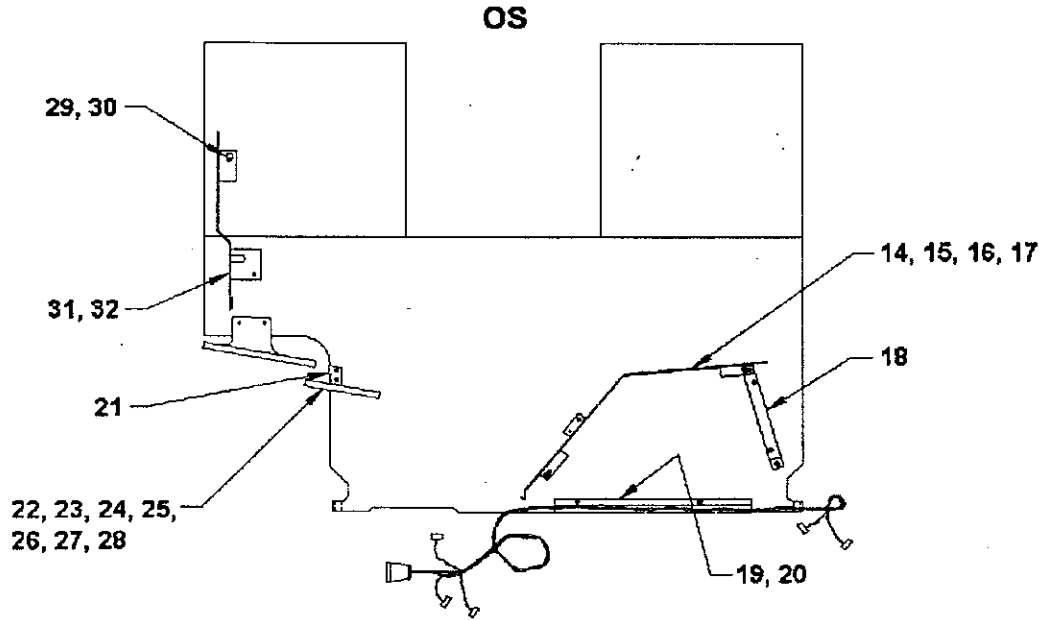


# OILING SYSTEM

## OS TOWER

<u>FIGURE</u>	<u>PART NUMBER</u>	<u>DESCRIPTION</u>	<u>UNITS PER ASSEMBLY</u>
1	180491	CLIP -- tubing	2
2	001106	SCREW -- 10-32 x 5/16"	2
3	180496	SLEEVE -- compression, 3/32" tubing	7
4	180493	NUT -- compression, 3/32" tubing	7
5	173171	METER UNIT	7
6	179926	BRACKET -- angle	2
7	014165	SCREW -- cap, 1/4-28 x 1"	6
8	001731	WASHER -- lock, 1/4"	6
9	180492	NUT -- compression, 5/32" tubing	10
10	180494	BUSHING -- compression, 5/32" tubing	18
11	173138	TUBING -- formed, 6.14"	2
12	173168	TUBING -- formed, 6.84"	2
13	173133	TUBING -- formed, 6.52"	2
14	173134	TUBING -- formed, 7.84"	2
15	180483	JUNCTION -- 7-way, single	2
16	101626	SCREW -- cap, 1/4-28 x 5/8"	5
17	014807	NUT -- 1/4-28	4
18	253918	SWITCH -- pressure	1
19	180501	ADAPTOR -- straight	1
20	180480	JUNCTION -- 3-way	1
21	178404	TUBING -- natural, .106 i.d., 5/32" o.d., (sold 18')	1
22	180497	SLEEVE -- compression, 5/32" tubing	8
23	180482	JUNCTION -- 4-way, single	1
24	179928	BRACKET -- angle, chain delivery brush	1
25	150083	NUT -- lock, 10-32	2
26	111056	SCREW -- 10-32 x 5/8"	2
27	180502	BRUSH ASSEMBLY	1
28	180500	ADAPTOR -- 90 degree	1
29	180498	CONNECTOR -- 90 degree	1
30	178406	TUBING -- natural, .054 i.d., 3/32" o.d., (sold 6.5')	1
31	173173	PLUG -- closure	1

# OILING SYSTEM

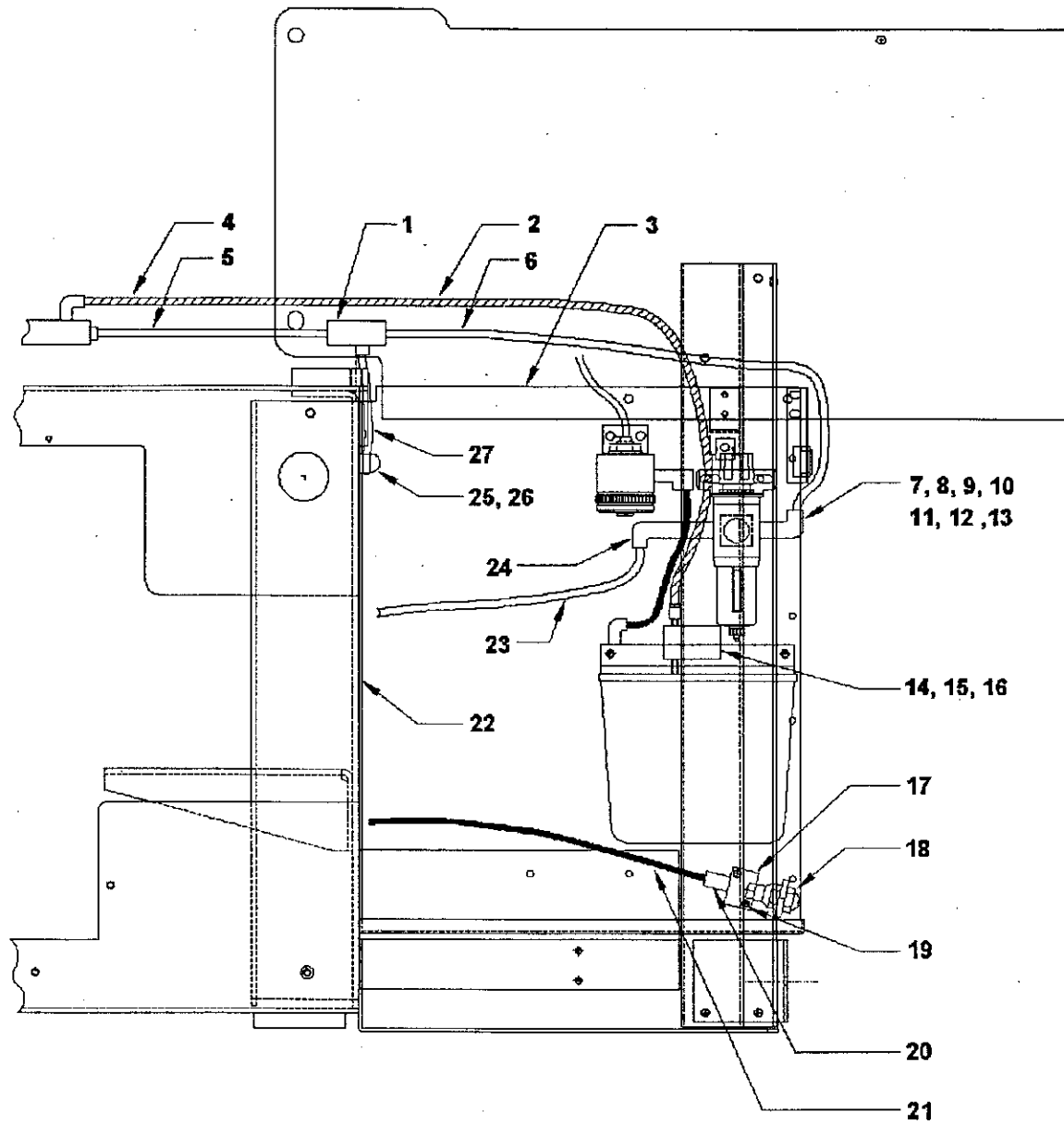


# OILING SYSTEM

## OIL DRIP TRAYS

<u>FIGURE</u>	<u>PART NUMBER</u>	<u>DESCRIPTION</u>	<u>UNITS PER ASSEMBLY</u>
1	173122	GASKET	1
2	173118	SHIELD ASSEMBLY	1
3	001220	SCREW -- 10-32 x 3/8"	1
4	100339	SCREW -- cap, 1/4-28 x 3/8"	1
5	196999	SPACER	1
6	111059	SCREW -- hex washer, 10-32 x 1"	1
7	173123	SHIELD -- oil	1
8	001812	NUT -- hex, 10-32	1
9	173143	GASKET -- rubber	1
10	179697	PAN -- drip	1
11	179698	PAN -- drip	1
12	001731	WASHER -- lock, .250 i.d., .485 o.d.	4
13	101626	SCREW -- 1/4-28 x 5/8"	4
14	173112	SHIELD -- arm	1
15	173113	EXTRUSION -- rubber	1
16	100339	SCREW -- cap, 1/4-28 x 3/8"	3
17	001731	WASHER -- lock, .250 i.d., .485 o.d.	1
18	172899	BRACKET -- harness	2
19	173145	COVER -- cable	1
20	102102	SCREW -- socket head, 10-32 x 3/16"	2
21	101626	SCREW -- 1/4-28 x 5/8"	2
22	173273	BRACKET	1
23	173274	SHIELD -- oil	1
24	100863	SCREW -- 10-32 x 1/4"	2
25	001052	WASHER	2
26	014165	SCREW -- 1/4-28 x 1"	2
27	001731	WASHER -- lock, .250 i.d., .485 o.d.	2
28	173143	GASKET -- rubber	1
29	014215	SCREW -- 10-32 x 3/8"	1
30	001052	WASHER -- .203 i.d., .500 o.d.	1
31	173114	SHIELD ASSEMBLY	1
32	173117	SEAL -- rubber	1

# OILING SYSTEM



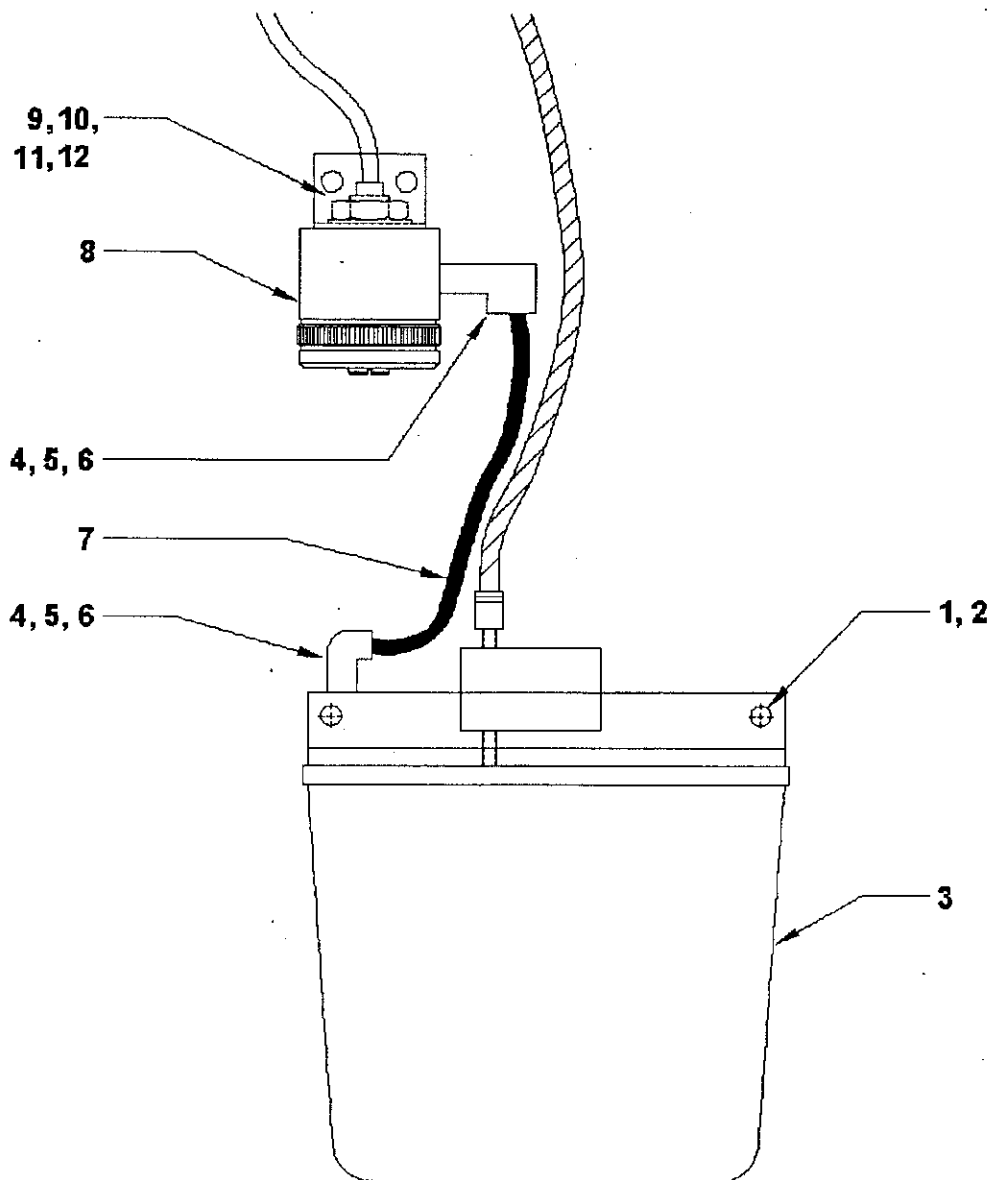
# OILING SYSTEM

## BASE ELECTRICAL

<u>FIGURE</u>	<u>PART NUMBER</u>	<u>DESCRIPTION</u>	<u>UNITS PER ASSEMBLY</u>
1	197397	TEE -- union, 3/8" o.d.	1
2	178401	TUBING -- natural, .170 i.d., .250 o.d., (sold 22.5')	1
3	173076	PAN -- oil pump	1
4	178401	TUBING -- natural, .170 i.d., .250 o.d., 23" (sold 22.5')	1
5	172713	TUBING -- black, .25 i.d., .375 o.d., 6" (sold 7.5')	1
6	172713	TUBING -- black, .25 i.d., .375 o.d., 17" (sold 7.5')	1
7	197396	FITTING -- male, elbow	1
8	172705	FILTER -- regulator	1
9	172706	BRACKET -- regulator	1
10	001649	SEMS UNIT	2
11	001702	WASHER -- .196 i.d., .500 o.d.	2
12	000666	WASHER -- lock, .196 i.d., .334 o.d.	2
13	001812	NUT -- hex, 10-32	2
14	179804	NIPPLE -- close	2
15	253383	CONNECTOR	1
16	196971	CONNECTOR -- male	1
17	172704	BLOCK COUPLING	1
18	179832	DRAIN COCK	1
19	001649	SEMS UNIT	2
20	197395	FITTING -- male	1
21	172713	TUBING -- black, .25 i.d., .375 o.d., 18" (sold 7.5')	1
22	173083	GASKET -- foam rail, 1 1/2'	1
23	172713	TUBING -- black, .25 i.d., .375 o.d., 15" (sold 7.5')	1
24	197395	FITTING -- male	1
25	197416	RIVET -- snap	2
26	250098	CLAMP -- cable	2
27	172713	TUBING -- black, .25 i.d., .375 o.d., 30" (sold 7.5')	1

# OILING SYSTEM

---



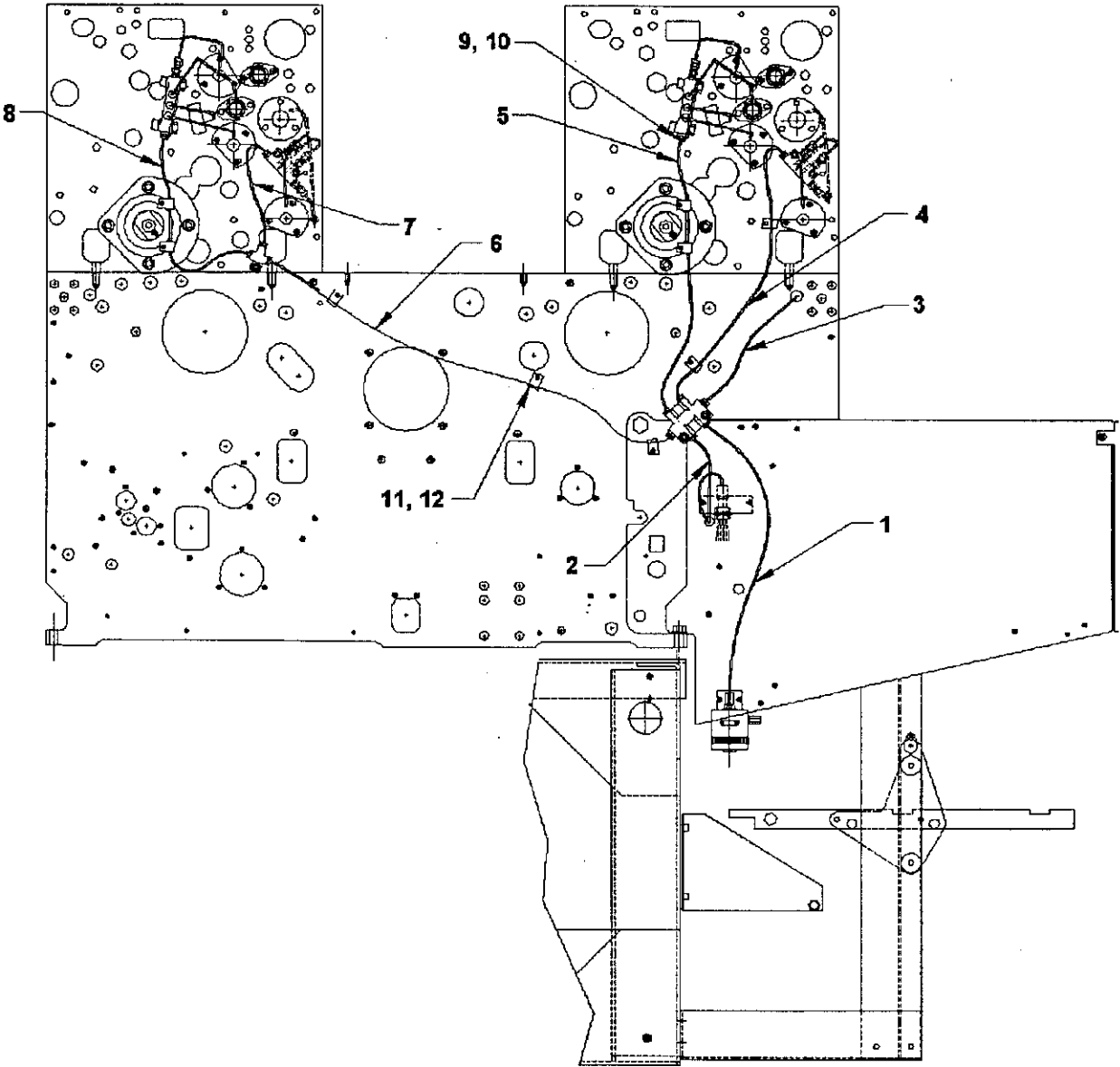
# OILING SYSTEM

---

## NOS OILING SYSTEM RESERVOIR

<u>FIGURE</u>	<u>PART NUMBER</u>	<u>DESCRIPTION</u>	<u>UNITS PER ASSEMBLY</u>
1	000666	WASHER -- lock, .198 i.d., .334 o.d.	2
2	001812	NUT -- hex, 10-32	2
3	180477	LUBRICATOR -- one liter	1
4	180500	ADAPTOR -- 90 degree	2
5	180494	BUSHING -- compression, 5/32"	2
6	180497	SLEEVE -- compression, 5/32"	2
7	178404	TUBING -- natural, .106 i.d., 5/32" o.d., 7" (sold 18')	1
8	180478	FILTER ASSEMBLY	1
9	001649	SEMS UNIT	1
10	001702	WASHER -- .195 i.d., .500 o.d.	1
11	000666	WASHER -- lock, .198 i.d., .334 o.d.	1
12	001812	NUT -- hex, 10-32	1

# OILING SYSTEM



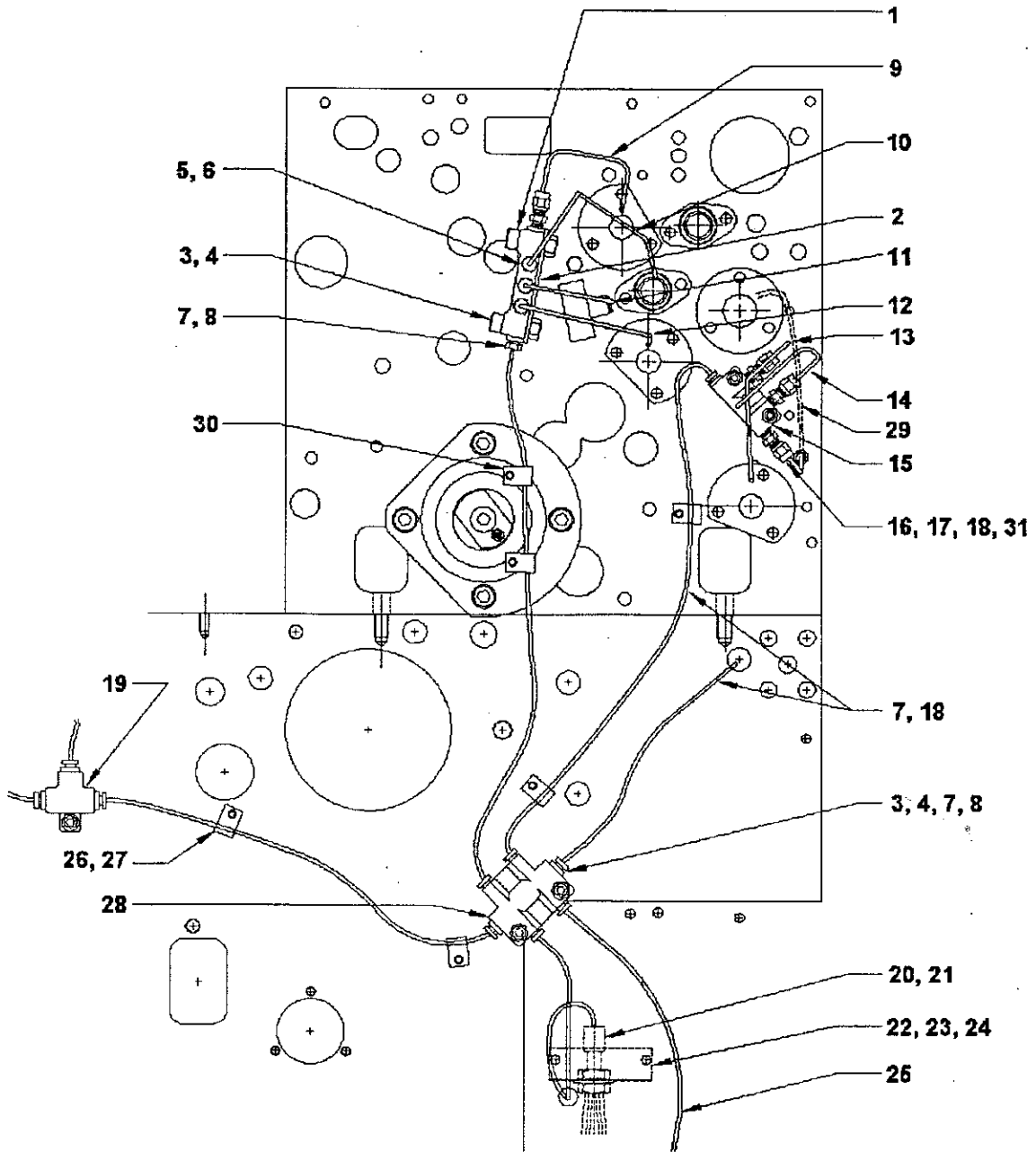


# OILING SYSTEM

## NOS TOWER -- PART 1

<u>FIGURE</u>	<u>PART NUMBER</u>	<u>DESCRIPTION</u>	<u>UNITS PER ASSEMBLY</u>
1	178404	TUBING -- natural, .106 i.d., 5/32" o.d., 18" (sold 18')	1
2	178404	TUBING -- natural, .106 i.d., 5/32" o.d., 11 1/2" (sold 18')	1
3	178404	TUBING -- natural, .106 i.d., 5/32" o.d., 35 1/2" (sold 18')	1
4	178404	TUBING -- natural, .106 i.d., 5/32" o.d., 16" (sold 18')	1
5	178404	TUBING -- natural, .106 i.d., 5/32 o.d., 15 1/2" (sold 18')	1
6	178404	TUBING -- natural, .106 i.d., 5/32 o.d., 24" (sold 18')	1
7	178404	TUBING -- natural, .106 i.d., 5/32 o.d., 7" (sold 18')	1
8	178404	TUBING -- natural, .106 i.d., 5/32 o.d., 12" (sold 18')	1
9	180494	BUSHING -- compression	12
10	180497	SLEEVE -- compression	12
11	180491	CLIP -- tubing, 5/32	4
12	001220	SCREW -- 10-32 x 3/8"	4
13	172705	AIR PRESSURE REGULATOR/FILTER	1

# OILING SYSTEM



# OILING SYSTEM

## NOS TOWER -- PART 2

<u>FIGURE</u>	<u>PART NUMBER</u>	<u>DESCRIPTION</u>	<u>UNITS PER ASSEMBLY</u>
1	180484	JUNCTION -- 5-way, single	2
2	180212	BRACKET -- angle	2
3	014165	SCREW -- cap, 1/4-28 x 1"	11
4	001731	WASHER -- lock, 1/4"	6
5	101626	SCREW -- cap, 1/4-28 x 5/8"	4
6	014807	NUT -- 1/4-28	4
7	180497	SLEEVE -- compression, 5/32" tubing	25
8	180494	BUSHING -- comp, 5/32	12
9	173135	TUBING -- formed, 4/40"	2
10	173167	TUBING -- formed, 8/64"	2
11	173170	TUBING -- formed, 4/06"	2
12	173137	TUBING -- formed, 6.85"	2
13	173169	TUBING -- formed, 5.93"	2
14	173366	TUBING -- formed, 4.89"	2
15	180482	JUNCTION -- 4-way, single	2
16	180496	SLEEVE -- compression, 3/32" tubing	7
17	180493	NUT -- compression, 3/32" tubing	7
18	180494	BUSHING -- compression, 5/32" tubing	13
19	180481	JUNCTION -- 3-way, tower one only	1
20	180502	BRUSH ASSEMBLY	1
21	180498	CONNECTOR -- 90 degree	1
22	179928	BRACKET -- angle, brush, chain delivery	1
23	111056	SCREW -- 10-32 x 4/8"	2
24	150083	NUT -- lock, 10-32	2
25	178404	TUBING -- natural, .106 i.d., 5/32" o.d., (sold 18')	1
26	180491	CLIP -- tubing, 5/32	9
27	001106	SCREW -- Phillips, 10-32 x 5/16"	9
28	180479	JUNCTION -- 6-way	1
29	178406	TUBING -- natural, .054 i.d., 3/32" o.d., (sold 6/5')	1
30	001220	SCREW -- pan head, 10-32 x 3/8"	4
31	173171	METER UNIT -- FJC-0	7

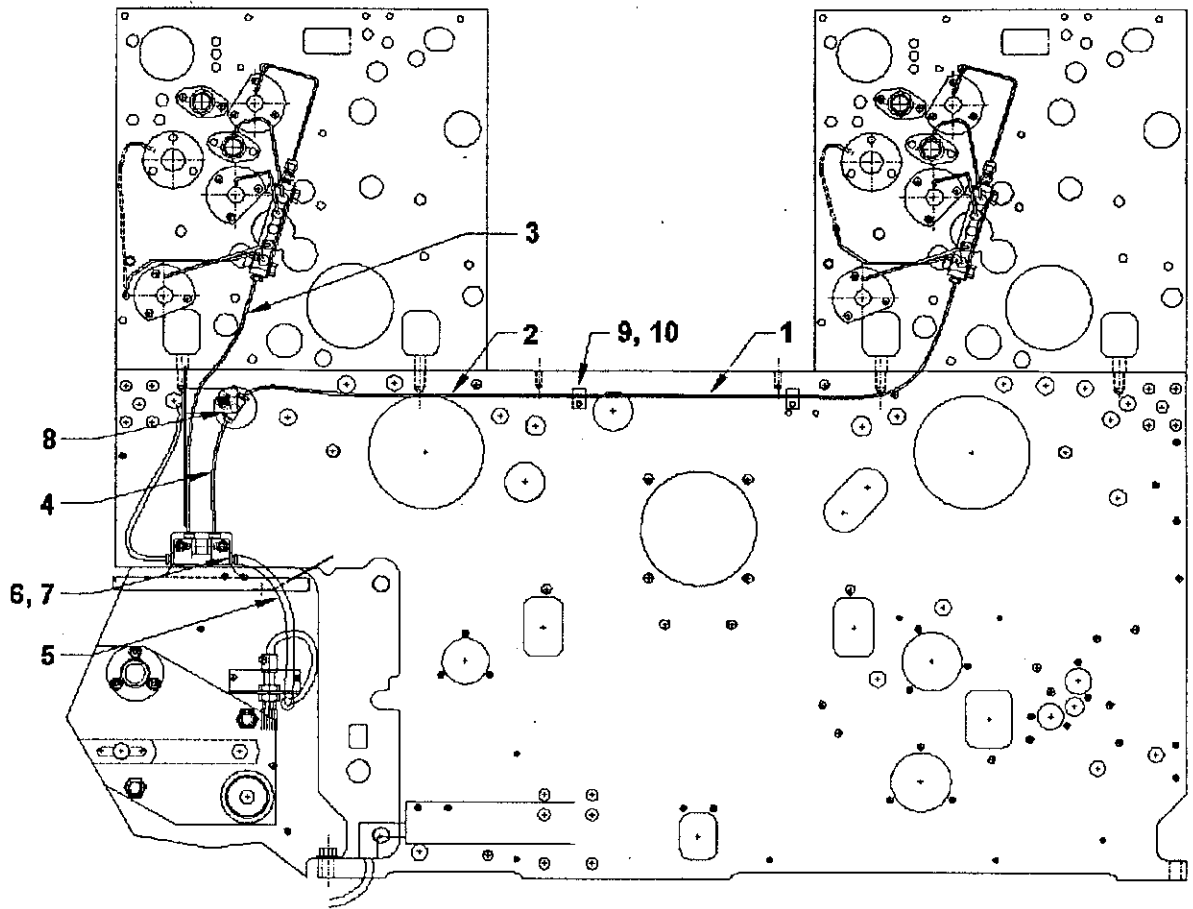
NOTE: Items 1-19 are for tower one and tower two NOS.

### TOOLS NEEDED:

- 172733 ... MAKE UP TOOL
- 172734 ... PUNCH DRIVE TOOL FOR 3/32" NYLON TUBING

# OILING SYSTEM

---

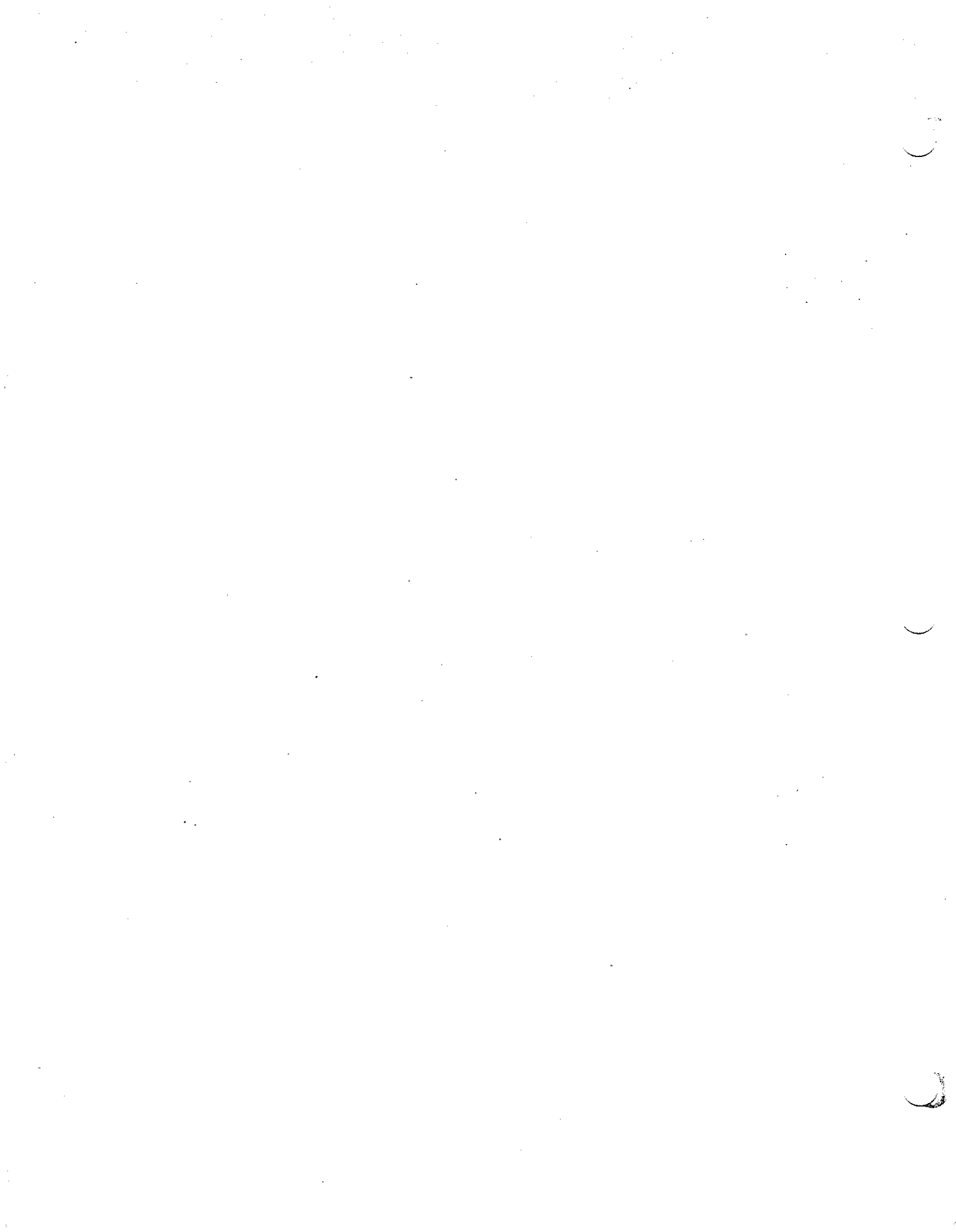


# OILING SYSTEM

---

## OS OILING SYSTEM

<u>FIGURE</u>	<u>PART NUMBER</u>	<u>DESCRIPTION</u>	<u>UNITS PER ASSEMBLY</u>
1	178404	TUBING -- natural, .106 i.d., 5/32" o.d., (sold 18')	1
2	178404	TUBING -- natural, .106 i.d., 5/32" o.d., 30" (sold 18')	1
3	178404	TUBING -- natural, .106 i.d., 5/32" o.d., 11 1/2" (sold 18')	1
4	178404	TUBING -- natural, .106 i.d., 5/32 o.d., 6" (sold 18')	1
5	178404	TUBING -- natural, .106 i.d., 5/32" o.d., 11 1/2" (sold 18')	1
6	180494	BUSHING -- compression, 5/32"	7
7	180497	SLEEVE -- compression, 5/32"	7
8	253918	OIL PRESSURE SWITCH	1
9	180491	CLIP -- tubing, 5/32	2
10	001106	SCREW -- Phillips, 10-32 x 5/16"	2

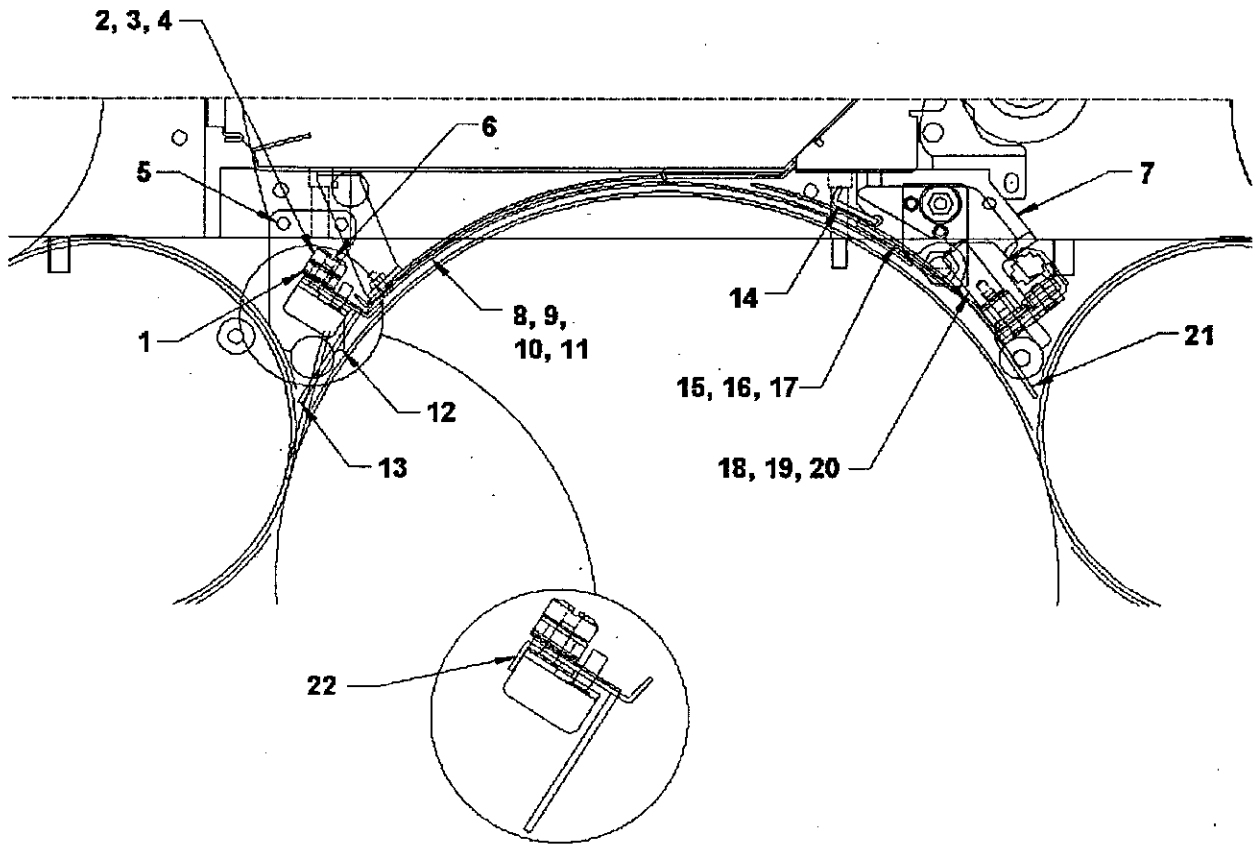


***Mid Section***

---

# MID SECTION

---

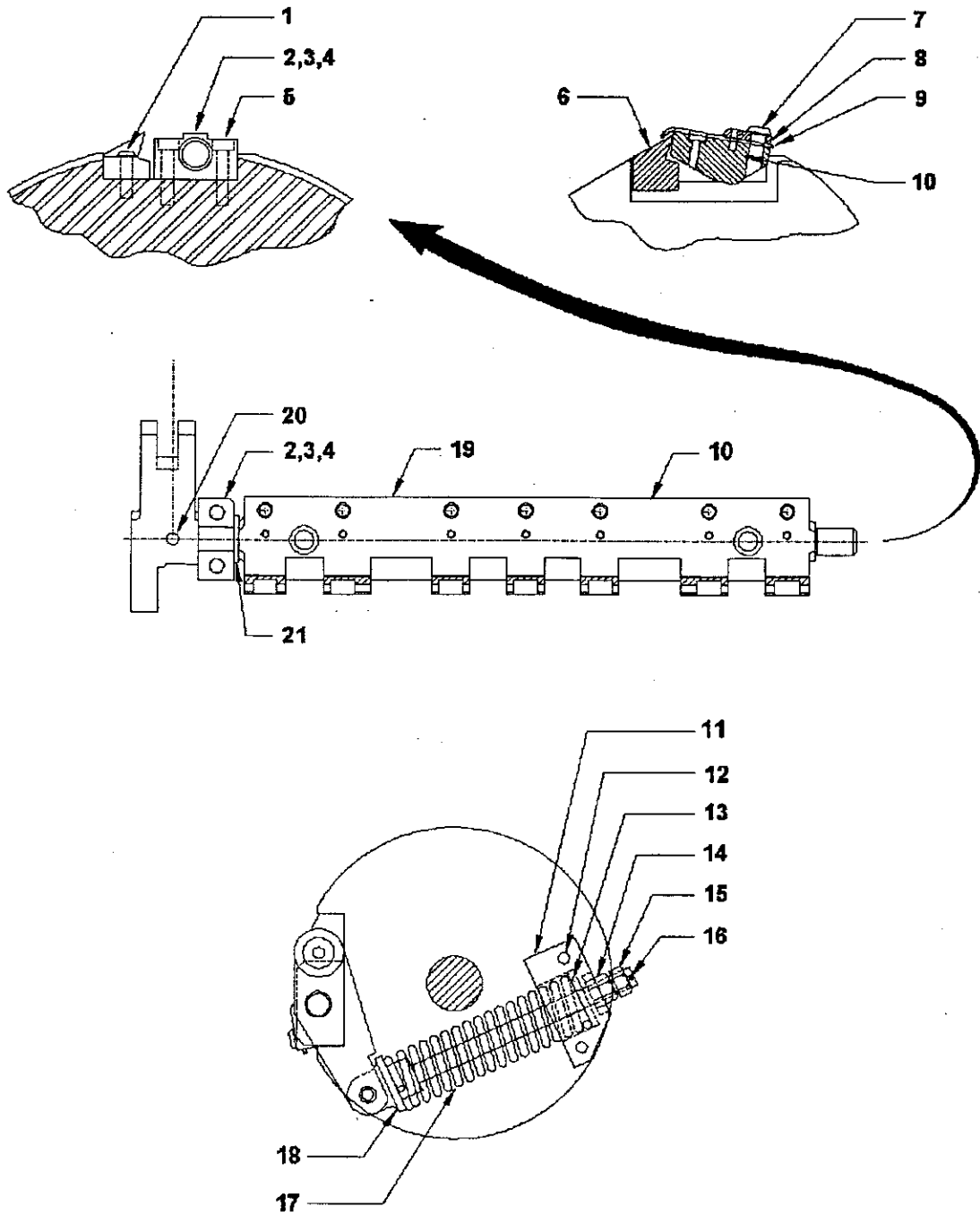




## ANTI-SCUFF UNIT

<u>FIGURE</u>	<u>PART NUMBER</u>	<u>DESCRIPTION</u>	<u>UNITS PER ASSEMBLY</u>
1	001080	RETAINING RING	2
2	100716	NUT -- lock, 6/32"	2
3	001568	SCREW -- 6/32 x 3/8"	2
4	173009	BRACKET	2
5	111057	SCREW -- 10-32 x 3/4"	4
6	173013	NUT -- thumb	2
7	173022	COVER -- cable	1
8	173014	IMPRESSION GUARD -- nos	1
9	173015	IMPRESSION GUARD -- os	1
10	173018	GASKET	4
11	014808	NUT -- 10-32	4
12	173010	BRACKET -- cross shaft, nos	1
12	173011	BRACKET -- cross shaft, os	1
13	173012	ANTI-SCUFF SEGMENT	1
14	173006	CHUTE -- support	1
15	001568	SCREW -- 6/32 x 3/8"	2
16	100716	NUT -- lock, 6/32	2
17	204185	WASHER -- nylon	2
18	173008	NUT -- thumb	2
19	001781	RING -- snap	2
20	014703	WASHER -- .384 i.d., .562 o.d.	2
21	173005	ANTI-SCUFF CHUTE	1
22	173819	BRACKET -- guard	1

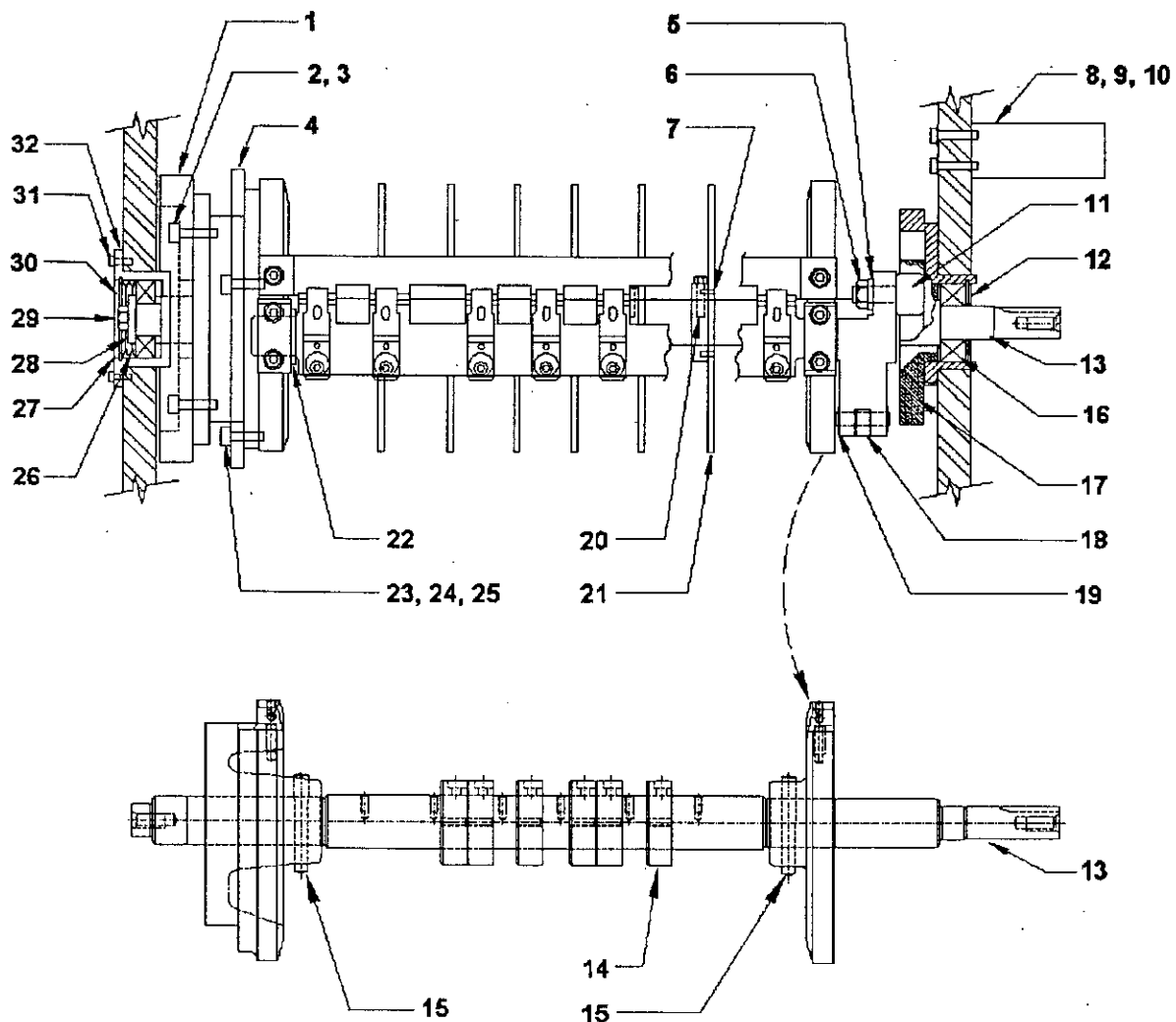
# MID SECTION



## TRANSFER CYLINDER GRIPPER SHAFT

<u>FIGURE</u>	<u>PART NUMBER</u>	<u>DESCRIPTION</u>	<u>UNITS PER ASSEMBLY</u>
1	100246	SCREW -- 1/4-20 x 1"	2
2	172600	BLOCK -- bearing assembly	2
3	172601	BLOCK BEARING	1
4	102141	SLEEVE -- bushing	1
5	102239	SCREW -- 1/4-20 x 1 1/2"	4
6	172594	ANVIL GRIPPER	1
7	102143	SCREW -- 5/16-24 x 5/8"	7
8	180349	PLATE GRIPPER	7
9	173659	GRIPPER FINGER	7
10	172595	TRANSFER BAR GRIPPER ASSEMBLY	1
11	178526	BRACKET -- spring anchor	1
12	014123	SCREW -- 5/16-18 x 1 3/8"	2
13	178528	GUIDE -- spring	1
14	197132	NUT -- special, 3/8-24	1
15	190254	NUT -- special, 3/8-24	1
16	015369	PIN -- collar	1
17	197130	SPRING -- compression	1
18	178523	GUIDE ASSEMBLY SPRING	1
19	172595	TRANSFER BAR	1
20	102142	PIN -- taper	1
21	197137	WASHER -- nylon, .578 i.d., 1.000 o.d.	2

# MID SECTION

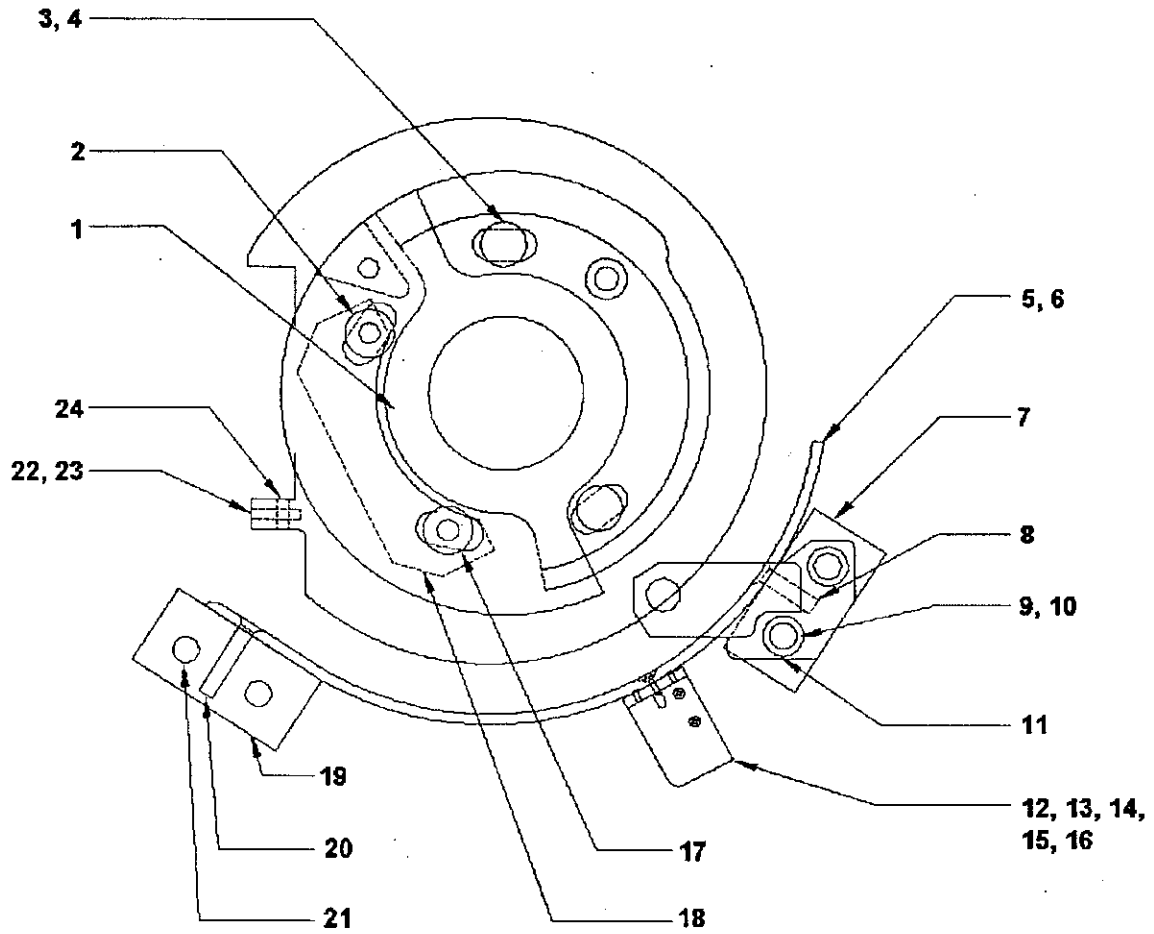


## TRANSFER CYLINDER SHAFT ASSEMBLY

<u>FIGURE</u>	<u>PART NUMBER</u>	<u>DESCRIPTION</u>	<u>UNITS PER ASSEMBLY</u>
1	173756	GEAR -- transfer cylinder	1
2	195234	WASHER -- .324 i.d., .562 o.d.	3
3	014123	SCREW -- 5/16-18 x 1 3/8"	3
4	173033	CAM FORWARDING	1
5	197452	WASHER -- 1 15/16"	1
6	102216	NUT -- 7/16-20	1
7	100185	SCREW -- nylok, 10-32 x 1/2"	12
8	178497	BLOCK -- indicator support	1
9	102040	SCREW -- 1/4-20 x 1.25"	2
10	192797	WASHER -- lock, .263 i.d., .489 o.d.	2
11	102136	TRACK ROLLER	1
12	102250	RETAINING RING	1
13	172589	TRANSFER SHAFT ASSEMBLY	1
14	172583	HUB	6
15	102259	PIN -- taper	2
16	102238	BALL BEARING	2
17	172616	CAM	1
18	178527	PIN -- pivot	1
19	001781	SNAP RING	2
20	100185	SCREW -- nylok, 10-32 x 1/2"	6
21	172582	DISK -- intermediate	6
22	197137	WASHER -- nylon, .578 i.d., 1.000 o.d.	1
23	001731	WASHER -- lock, .263 i.d., .485 o.d.	3
24	005071	WASHER -- .253 i.d., .500 o.d.	3
25	001269	SCREW -- 1/4-20 x 3/4"	3
26	173661	SPRING -- wave	1
27	173664	SUPPORT -- os	1
28	196955	WASHER -- .381 i.d., 1.000 o.d.	1
29	102254	SCREW -- 5-16 x 24 x 1"	1
30	173645	WASHER	2
31	111075	SCREW -- 1/4-28 x 7/8"	3
32	172609	HOUSING -- bearing, os	1

# MID SECTION

---

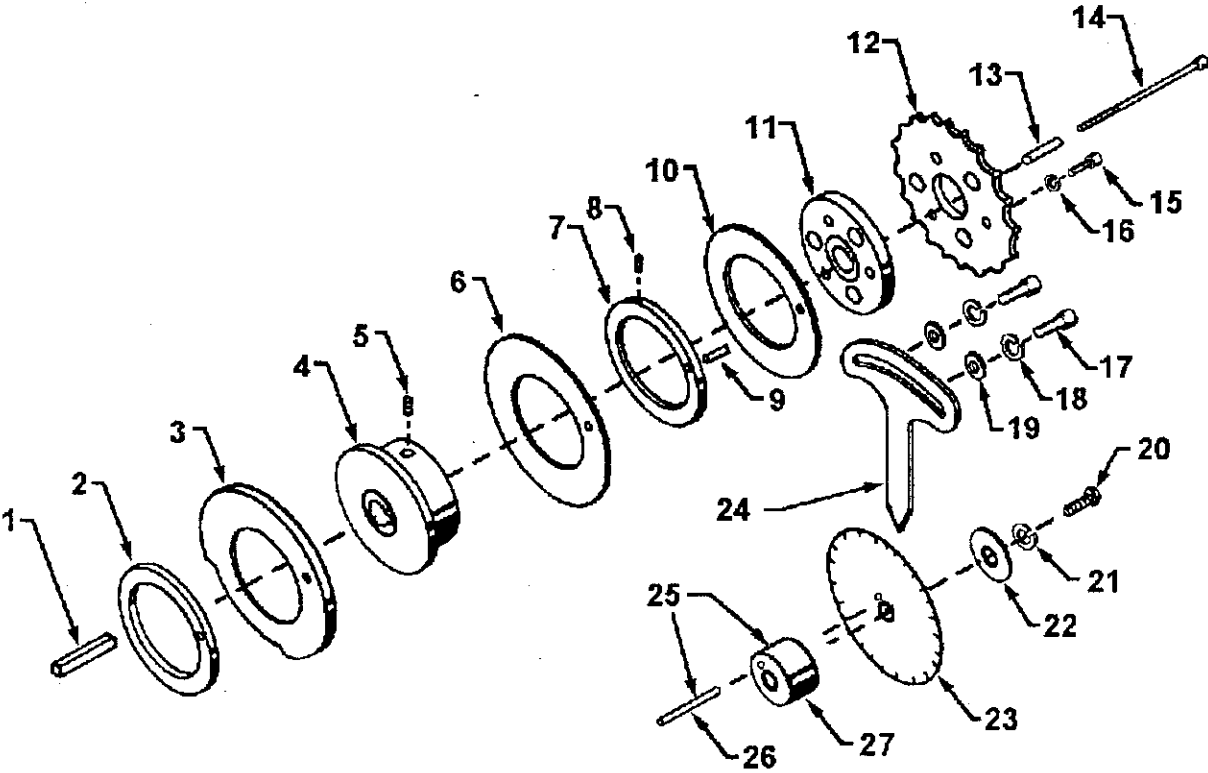


## TRANSFER CYLINDER PAPER GUIDES

<u>FIGURE</u>	<u>PART NUMBER</u>	<u>DESCRIPTION</u>	<u>UNITS PER ASSEMBLY</u>
1	172615	CAM -- transfer cylinder	1
2	014106	SCREW -- 5/16-24 x 1"	1
3	014273	SCREW -- 5/16-24 x 3/4"	2
4	018062	WASHER	4
5	173125	PAPER GUIDE -- transfer cylinder	1
6	179523	PAPER GUIDE -- transfer cylinder	4
7	172335	SUPPORT -- paper guide	1
8	014327	SCREW -- 10-32 x 1/2"	5
9	102047	SCREW -- 3/8-24 x 1 1/4"	2
10	102121	SCREW -- 3/8-24 x 1 3/4"	2
11	172372	BRACKET -- follower pivot	1
12	172988	TRANSFER SENSOR	1
13	173516	BRACKET -- sensor	1
14	001590	SCREW -- 6/32 x 1/4"	1
15	100490	SCREW -- 2-56 x 1/2"	2
16	100137	NUT -- 2-56	2
17	014273	SCREW -- 5/16-24 x 3/4"	1
18	178510	SPACER	1
19	172830	SUPPORT -- paper guide	1
20	014327	SCREW -- 10-32 x 1/2"	5
21	102047	SCREW -- 3/8-24 x 1 1/4"	4
22	172404	INSERT BRASS	2
23	014386	SCREW -- set, 10-32 x 3/16"	2
24	133233	SCREW -- set, 10-32 x 3/8"	2

# MID SECTION

---



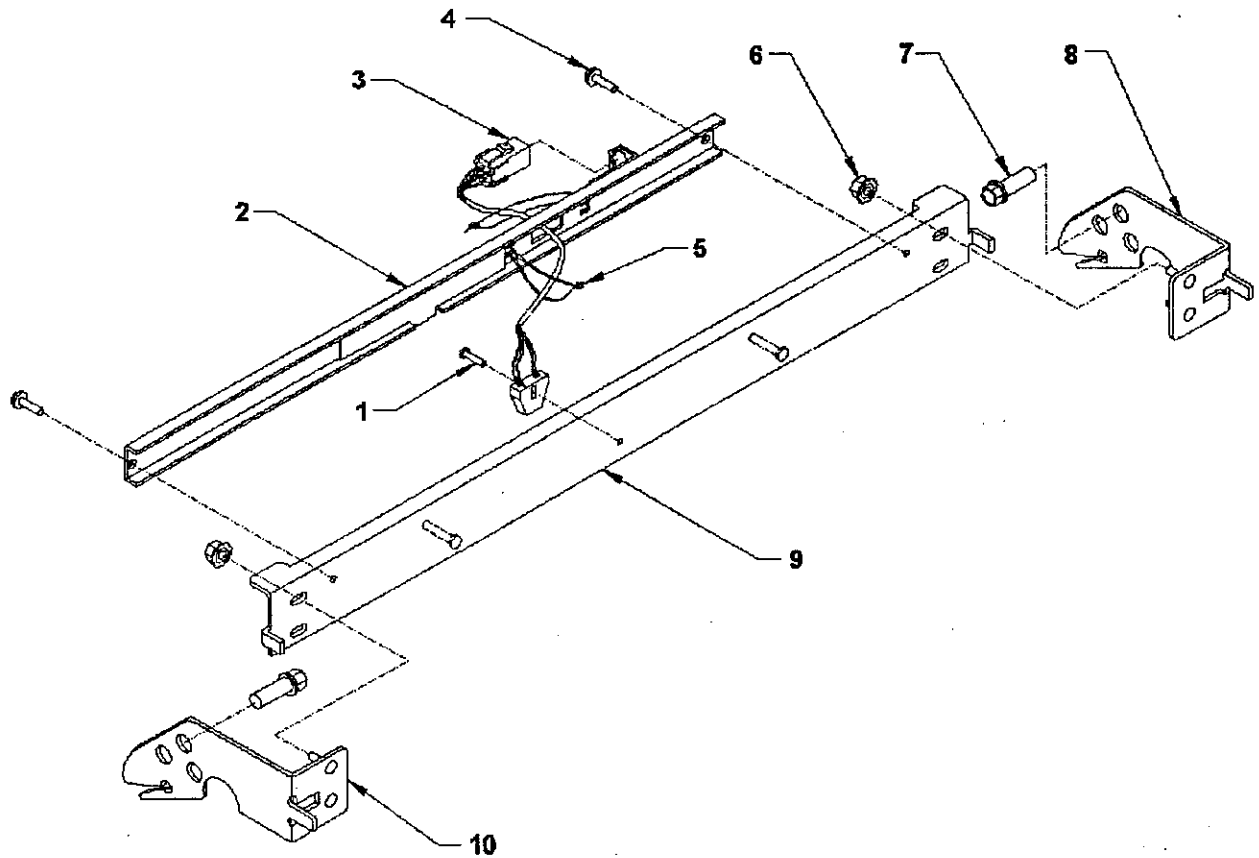


## TRANSFER CYLINDER CAM ASSEMBLY

<u>FIGURE</u>	<u>PART NUMBER</u>	<u>DESCRIPTION</u>	<u>UNITS PER ASSEMBLY</u>
1	197172	KEY -- 0.187 square	1
2	180916	HUB -- clamping	1
3	178830	CAM -- stop finger	1
4	180918	HUB -- cam	1
5	100367	SCREW -- set, 1/4-28 x 1/2"	1
6	172517	CAM -- bar	1
7	178827	RING -- cam	1
8	014386	SCREW -- set	1
9	001980	PIN -- .131/.135 o.d.	1
10	172516	CAM -- valve	1
11	172349	HUB -- sprocket	1
12	172413	SPROCKET -- transfer cylinder	1
13	197364	SLEEVE	3
14	102104	SCREW -- socket head cap, 1/4-28 x 2"	3
15	101626	SCREW -- 1/4-28 x 5/8"	1
16	192797	WASHER -- split lock	1
17	014195	SCREW -- cap	2
18	192797	WASHER -- split lock	2
19	005071	WASHER -- .253 i.d., .500 o.d.	2
20	178495	SCREW -- shoulder	1
21	001763	WASHER -- lock	1
22	001771	WASHER -- .253 i.d., .500 o.d.	1
23	179683	DIAL -- engraved	1
24	178494	INDICATOR	1
25	172098	SPACER ASSEMBLY	1
26	100880	PIN -- roll	1
27	178496	TR SPACER	1

# MID SECTION

---

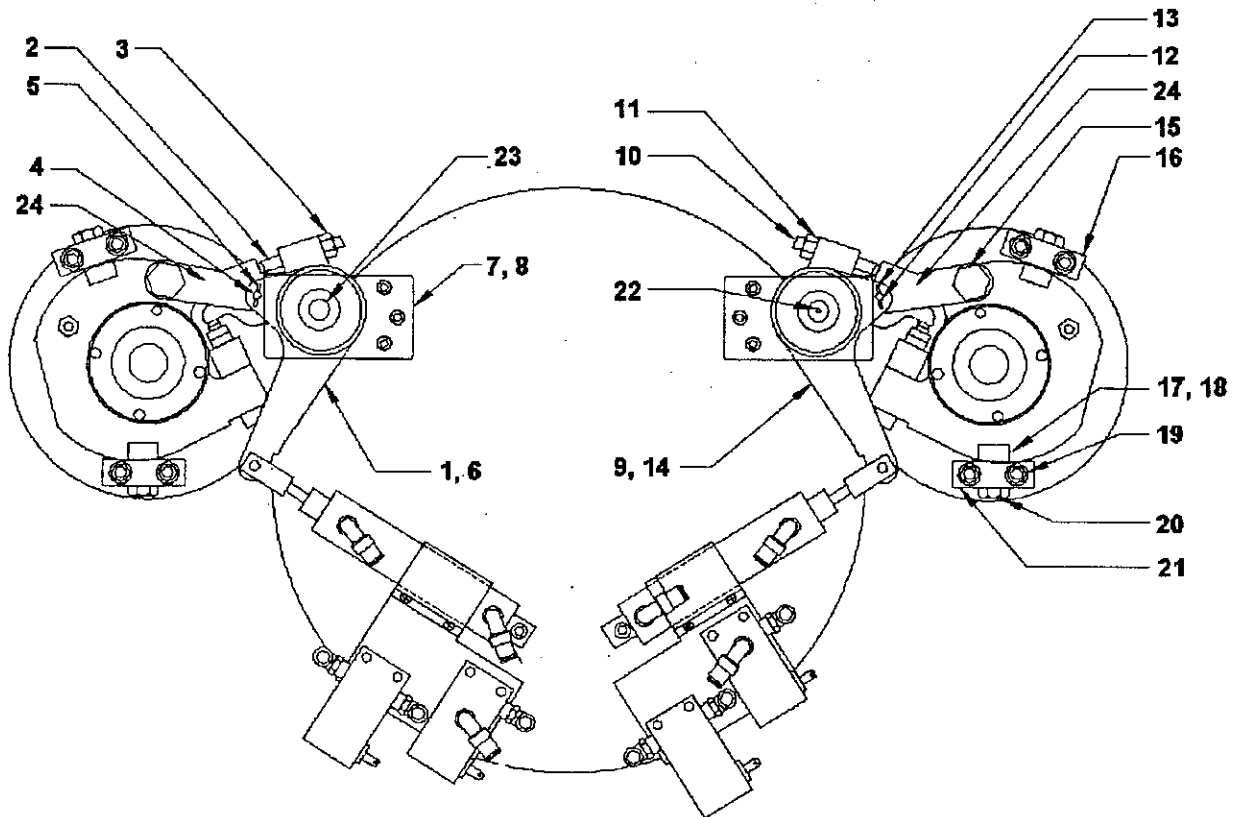


## LINE PNEUMATICS

<u>FIGURE</u>	<u>PART NUMBER</u>	<u>DESCRIPTION</u>	<u>UNITS PER ASSEMBLY</u>
1	101299	SCREW -- 4-40 x 1/2"	1
2	173007	SENSOR CHANNEL	1
3	178186	BLANKET DETECTOR	1
4	001641	SCREW -- 8-32 x 1/2"	2
5	250077	STA-STRAP	1
6	014808	NUT -- 10-32	4
7	111052	SCREW -- 10-32 x 3/8"	4
8	173000	BRACKET -- sensor support, nos	1
9	173002	SENSOR SUPPORT	1
10	173001	BRACKET -- sensor support, os	1

# MID SECTION

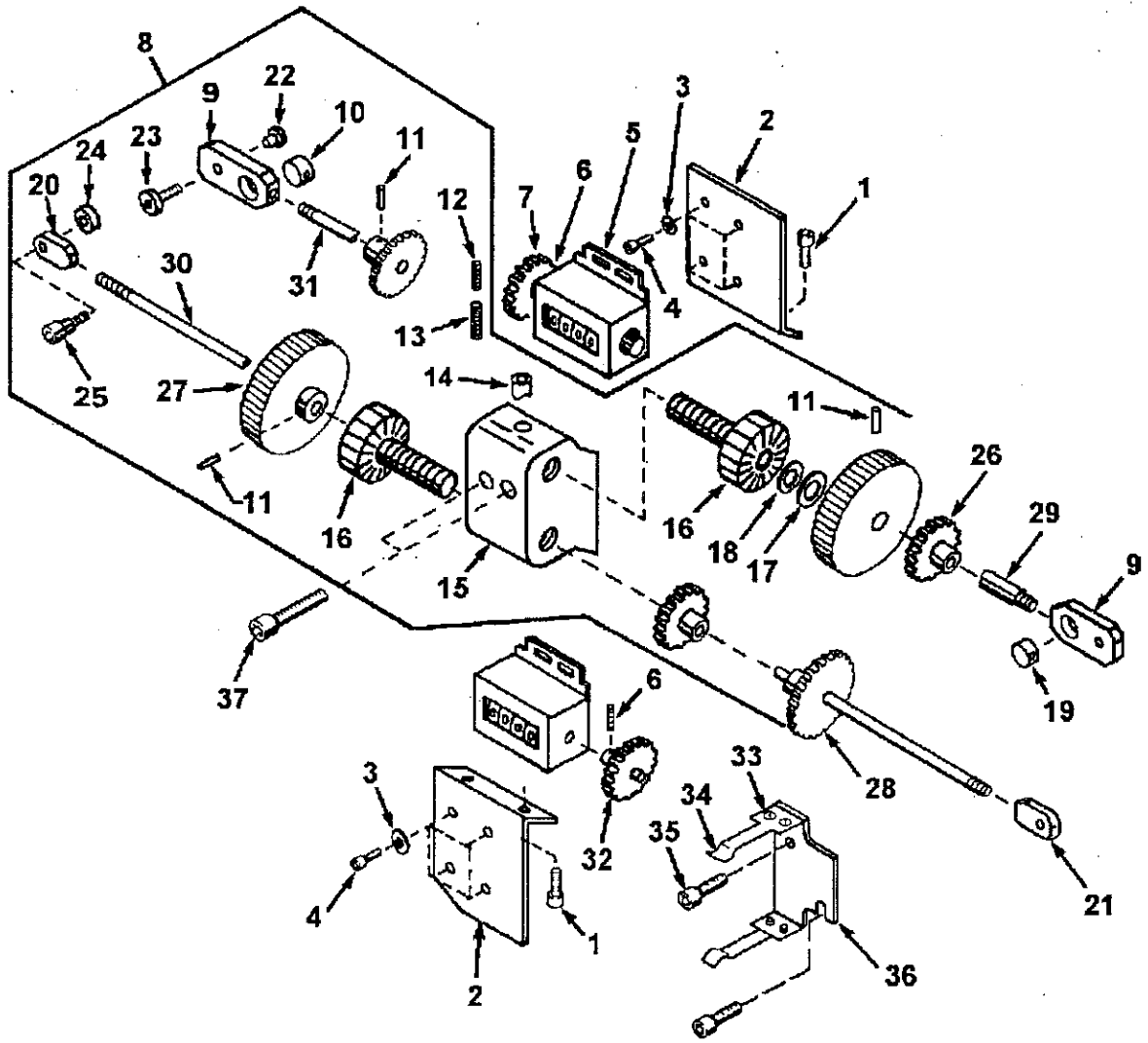
---



## THROW ON/OFF LINKAGE (NOS)

<u>FIGURE</u>	<u>PART NUMBER</u>	<u>DESCRIPTION</u>	<u>UNITS PER ASSEMBLY</u>
1	180261	LEVER ARM ASSEMBLY -- no. 4	1
2	102119	SCREW -- set, slotted, 5/16-18	2
3	100710	NUT -- 5/16-18	2
4	179322	PIN -- clevis	2
5	014921	PIN	2
6	179308	LEVER -- right	1
7	172979	SUPPORT -- machine, nos	2
8	102251	SCREW -- 5/16-24	6
9	180251	LEVER ARM ASSEMBLY -- no. 2	1
10	102119	SCREW -- set, slotted, 5/16-18	2
11	100710	NUT -- 5/16-18	2
12	179322	PIN -- clevis	2
13	014921	PIN	2
14	179307	LEVER -- left	1
15	180017	SCREW -- adjustment, eccentric	2
16	180329	BLOCK FOLLOWER	2
17	179315	CAM FOLLOWER	4
18	001763	WASHER -- lock	4
19	101754	SCREW -- socket head	8
20	001845	NUT -- 3/8-24	4
21	179349	BLOCK FOLLOWER	2
22	173023	CROSS SHAFT ASSEMBLY	1
23	173024	CROSS SHAFT ASSEMBLY	1
24	179714	LINK	1

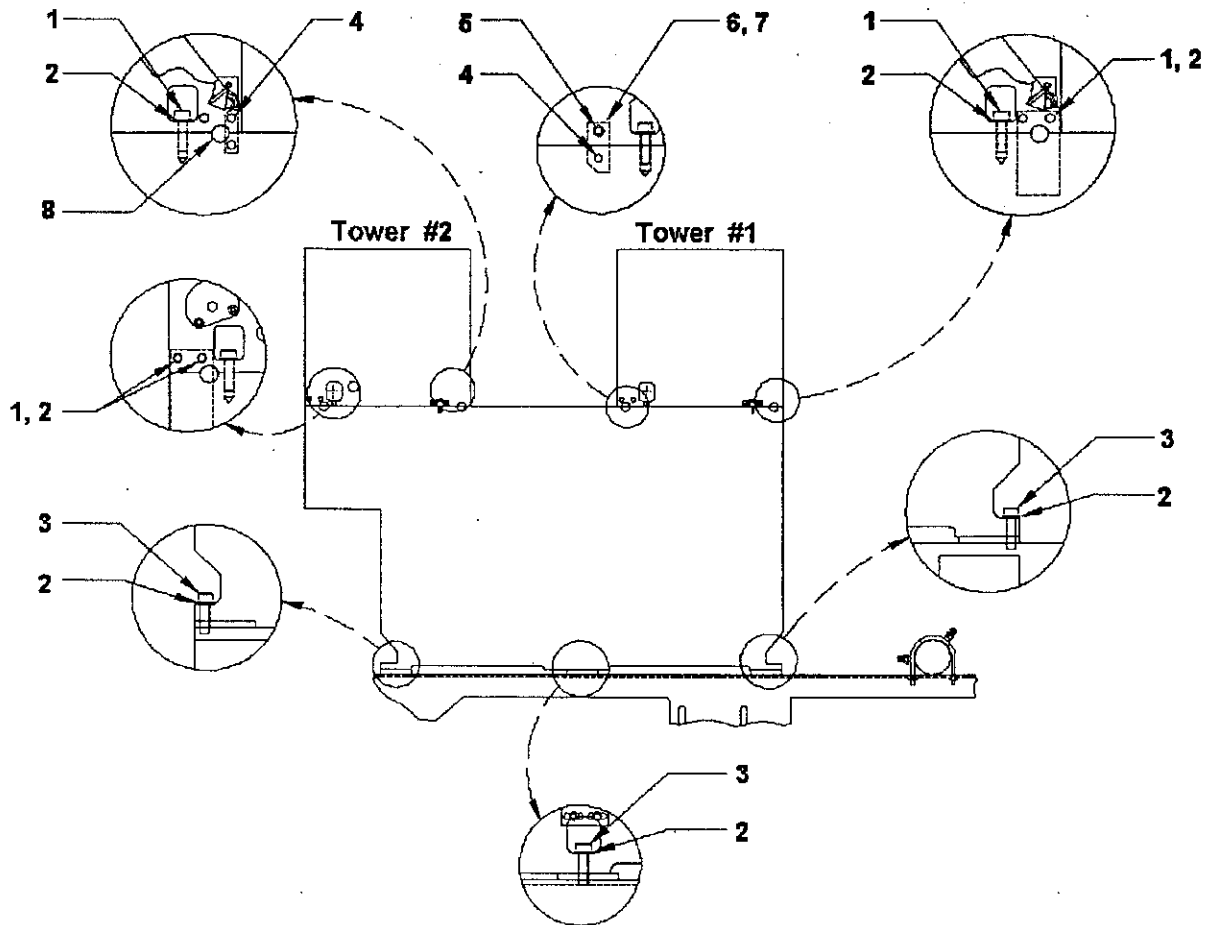
# MID SECTION



## PLATE AND PAPER PRESSURE LINKAGE

<u>FIGURE</u>	<u>PART NUMBER</u>	<u>DESCRIPTION</u>	<u>UNITS PER ASSEMBLY</u>
1	014215	SCREW -- cap, 10-32 x 3/8"	4
2	180211	BRACKET -- mounting, counter	2
3	192795	WASHER -- lock, #4	8
4	100210	SCREW -- cap, 4-40 x 7/16"	8
5	179407	COUNTER	2
6	100654	SCREW -- set, 6-32 x 5/32"	2
7	179702	GEAR -- 40 teeth, 32 dp	1
8	172613	SQUEEZE ASSEMBLY -- adjustment	1
9	180255	BLOCK -- rod end, l.h. and r.h.	2
10	180257	NUT -- r.h.	1
11	001978	PIN -- roll, 1/8" o.d. x 3/4" o.a.l.	6
12	196929	SPRING -- .240 o.d. x .875 o.a.l.	1
13	197179	SPRING -- .360 o.d. x .437 o.a.l.	1
14	172454	PLUG	2
15	172376	BLOCK -- thickness adjuster	1
16	172375	ADJUSTER -- bias	2
17	102224	WASHER -- thrust	8
18	102225	BEARING -- needle, thrust	4
19	180258	NUT -- l.h.	1
20	179708	BLOCK -- rod end, r.h.	1
21	179709	BLOCK -- rod end, l.h.	1
22	180256	PLUG -- pivot	2
23	102125	SCREW -- shoulder, 1/4-20 x 3/8"	2
24	179328	SPACER	2
25	196953	BOLT -- shoulder	2
26	178212	GEAR -- detent, squeeze, plate	1
27	179402	KNOB -- adjusting	2
28	178211	GEAR -- detent, squeeze, paper	1
29	179404	ROD -- adjusting, short	1
30	179405	ROD -- adjusting, long	1
31	179705	GEAR -- 40 teeth	2
32	179704	GEAR -- 30 teeth, 32 dp	1
33	001694	SCREW -- 6-32 x 3/16"	4
34	180709	DETENT	2
35	100339	SCREW -- cap, 1/4-28 x 3/8"	2
36	180710	BRACKET -- detent	2
37	102127	SCREW -- 3/8-24 x 2"	2

# MID SECTION

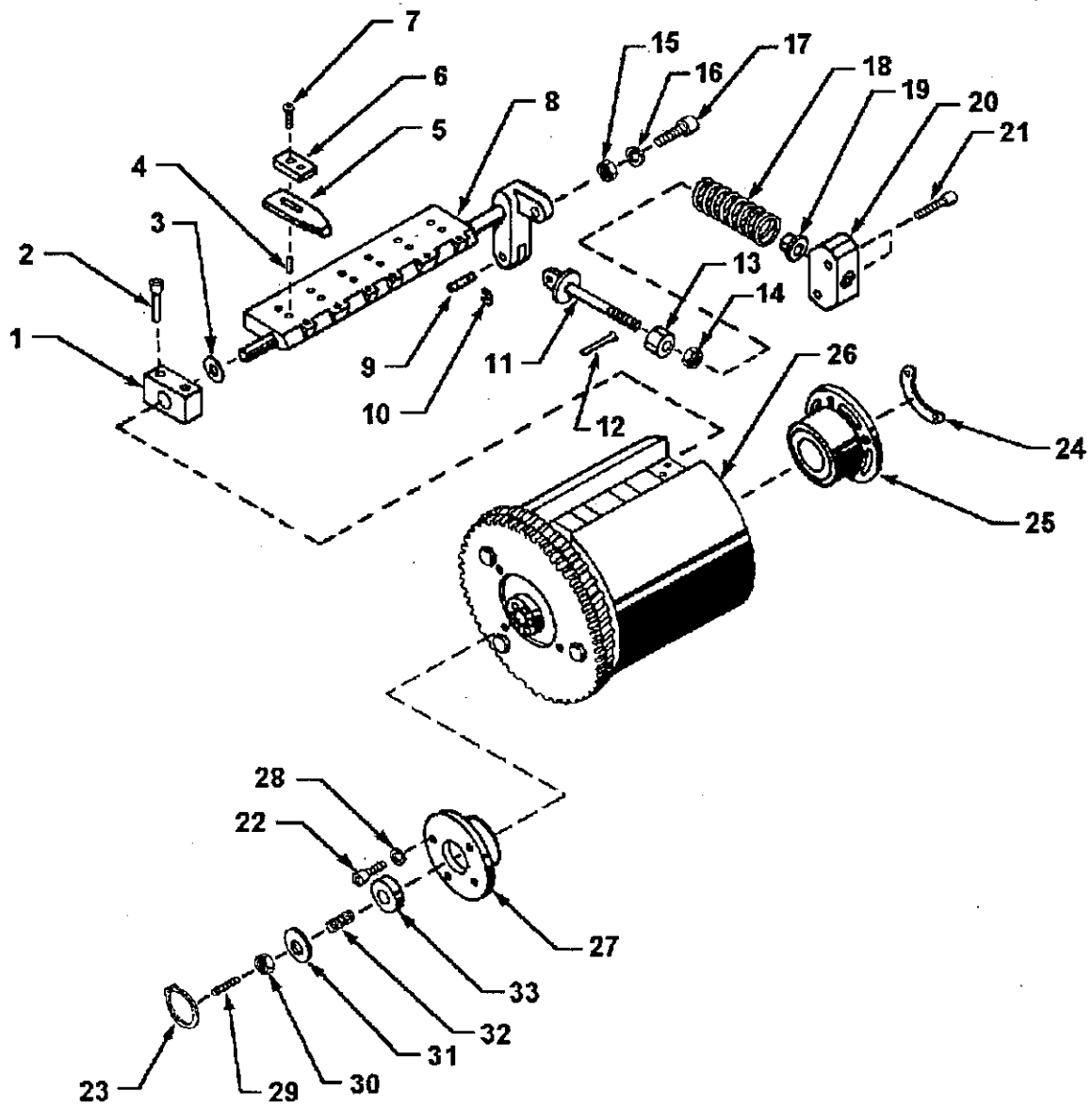




## ATTACHING THE BASE, MID, AND TOWER

<u>FIGURE</u>	<u>PART NUMBER</u>	<u>DESCRIPTION</u>	<u>UNITS PER ASSEMBLY</u>
1	102047	SCREW -- socket head, 3/8-24 x 1 1/4"	16
2	001763	WASHER -- .393 i.d., .673 o.d.	22
3	102106	SCREW -- socket head, 3/8-24 x 1.1/2"	6
4	102213	SCREW -- socket head, 3/8-24 x 1 1/8"	5
5	102186	SCREW -- button head cap, 3/8-24 x 1"	2
6	173020	STRAP -- nos	1
7	173021	STRAP -- os	1
8	197161	PIN -- dowel	8

# MID SECTION

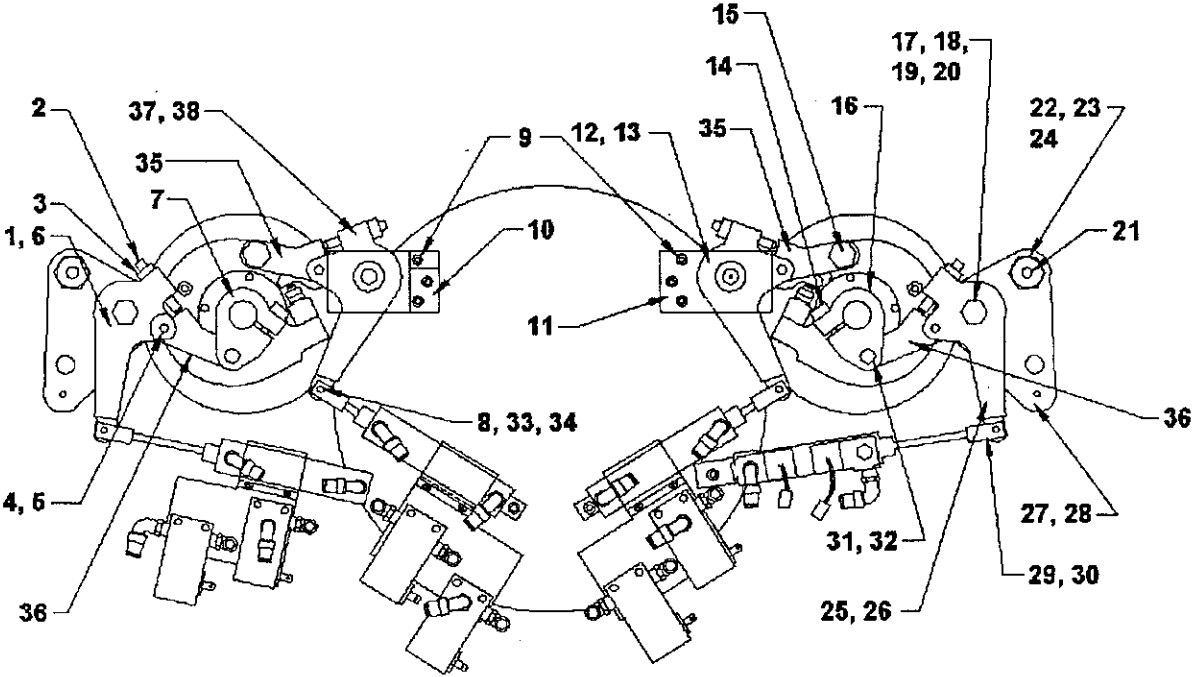


## IMPRESSION CYLINDER

<u>FIGURE</u>	<u>PART NUMBER</u>	<u>DESCRIPTION</u>	<u>UNITS PER ASSEMBLY</u>
1	172600	BLOCK ASSEMBLY -- bearing	4
2	102239	SCREW -- 1/4-20 x 1 1/2"	8
3	197137	WASHER -- nylon	4
4	197135	PIN -- dowel	12
5	173219	FINGER -- gripper	12
6	180349	PLATE -- retainer, gripper	12
7	102143	SCREW -- Allen button, 5/16-24 x 5/8"	12
8	172598	BAR ASSEMBLY -- gripper	2
9	178527	PIN -- pivot	2
10	001781	RING -- snap	4
11	178572	GUIDE ASSEMBLY -- spring	2
12	015369	PIN -- cotter, 1/16" x 1/2"	2
13	197132	NUT -- special	2
14	190254	NUT -- 3/8-24	2
15	102216	NUT -- 7/16-20	2
16	197452	WASHER -- split	2
17	102136	ROLLER -- track	2
18	197130	SPRING -- compression	2
19	178528	GUIDE -- spring	2
20	178416	BRACKET -- anchor, spring	2
21	102144	SCREW -- Allen cap, 5/16-18 x 1 1/2"	4
22	100860	SCREW -- Allen cap, 3/8-24 x 1"	2
23	703107	RETAINING RING	2
24	179514	WASHER -- plate	2
25	172953	HOUSING ASSEMBLY -- impression cylinder, nos	1
26	173521	CYLINDER ASSEMBLY -- impression	1
27	180712	HOUSING -- impression cylinder, os	1
28	001763	WASHER -- lock, 3/8"	3
29	102265	SCREW -- set, nylok, 3/8-16 x 1"	1
30	001854	NUT -- 3/8-16	1
31	179684	PLATE	1
32	196963	SPRING -- compression	1
33	179824	RETAINER -- bearing	1

# MID SECTION

---



## THROW ON/OFF LINKAGE (OS)

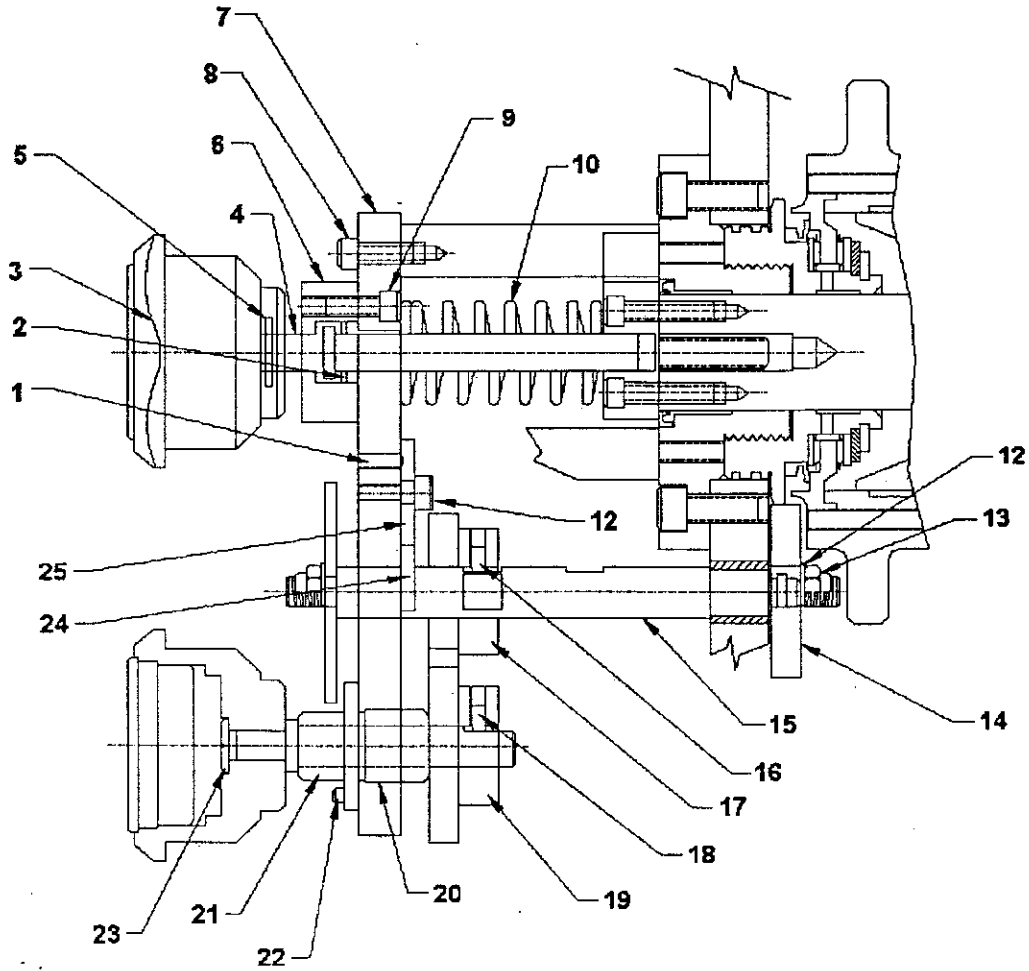
<u>FIGURE</u>	<u>PART NUMBER</u>	<u>DESCRIPTION</u>	<u>UNITS PER ASSEMBLY</u>
1	180260	LEVER ARM ASSEMBLY -- no. 3	1
2	102119*	SCREW -- 5/16-18	4
3	100710*	NUT -- 5/16-18	4
4	179322*	PIN -- clevis	4
5	014921*	PIN	4
6	179307	LEVER -- left	2
7	179314	LEVER -- clamping	1
8	102092	BUSHING -- sleeve	4
9	102251	SCREW -- 5/16-24 x 2 1/2"	6
10	172981	SUPPORT	1
11	172980	SUPPORT	1
12	180251**	LEVER ARM ASSEMBLY -- no. 2	1
13	179304	LEVER -- left	2
14	102064	SCREW -- socket head, 3/8-16 x 1 1/4"	2
15	180017	SCREW -- adjustment, eccentric	2
16	179443	LEVER -- clamping	1
17	196888	WASHER -- clamping	2
18	102117	WASHER -- lock, split	2
19	101170	NUT -- 1/2-20	2
20	102120	SCREW -- 1/2-20 x 3 1/4"	2
21	196832	FITTING GREASE	2
22	179324	PIN -- pivot, shoulder	2
23	196948	BEARING -- lock nut	2
24	196946	BEARING -- lock washer	2
25	180250**	LEVER ARM ASSEMBLY -- no. 1	1
26	179308	LEVER -- right	2
27	179310	PLATE -- pivot	2
28	179325	SPACER	2
29	179370	CLEVIS -- piston rod	4
30	001834	NUT -- hex, 5/16-24	4
31	197376	PIN	2
32	014372	SCREW -- set, 10-32 x 1/4"	2
33	001060	RETAINING RING	4
34	178360	PIN -- clevis	4
35	179714	LINK	2
36	179329	LINK	2
37	180261**	LEVER ARM ASSEMBLY -- no. 4	1
38	179308	LEVER -- right	2

\* This part is also used on assemblies #12, 25, and 37.

\*\* This assembly also requires the parts illustrated with an asterisk (numbers 2-5).

# MID SECTION

---

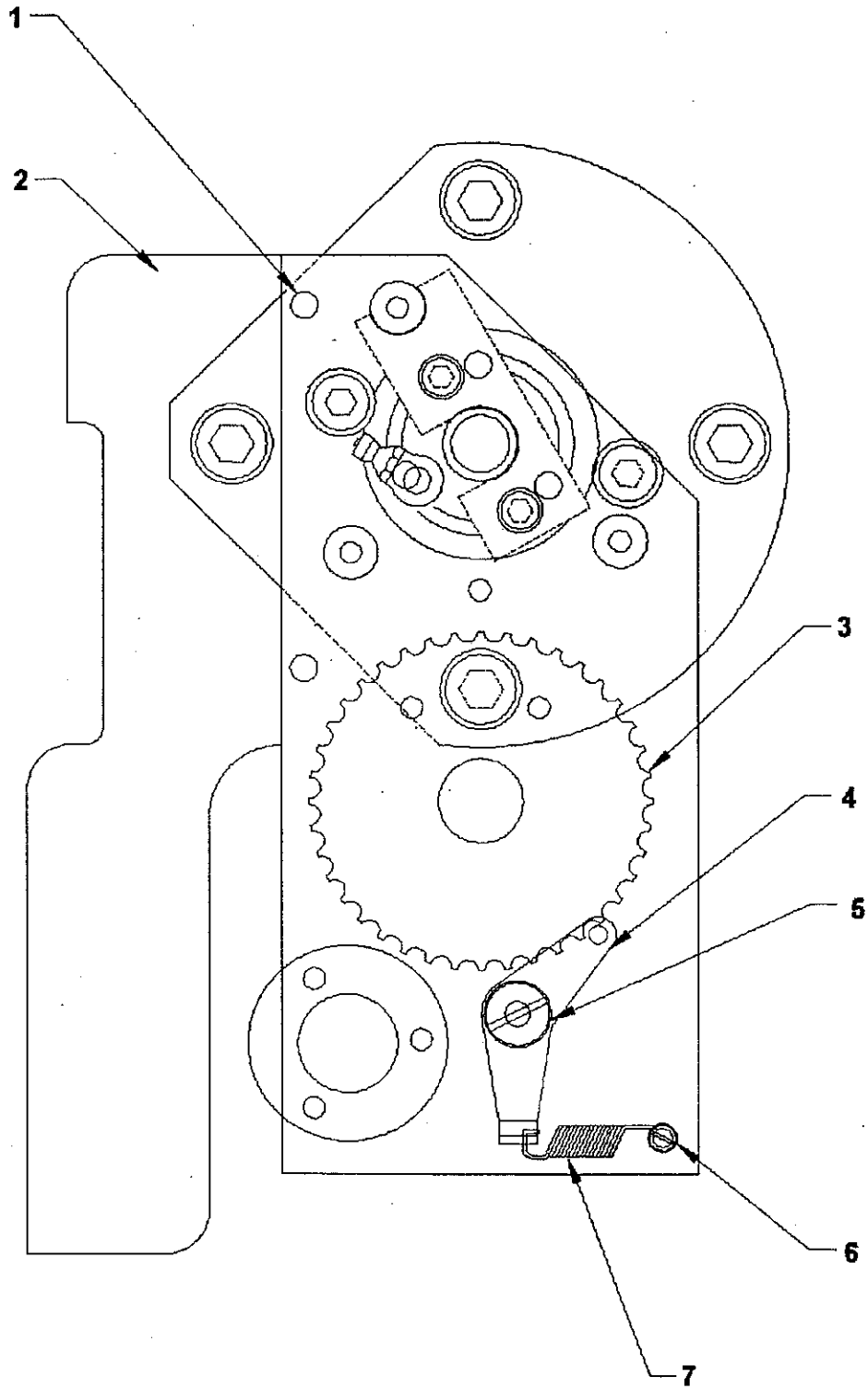


## CIRCUMFERENTIAL AND LATERAL ADJUSTMENTS -- PART 1

<u>FIGURE</u>	<u>PART NUMBER</u>	<u>DESCRIPTION</u>	<u>UNITS PER ASSEMBLY</u>
1	197024	PLUNGER -- ball	1
2	192798	WASHER -- .507 i.d., .875 o.d.	1
3	172426	HAND WHEEL	2
4	180385	SHAFT ASSEMBLY -- lateral adjustment	1
5	014576	PIN -- drive lock	1
6	180001	RETAINER -- shaft	1
7	180005	ADJUSTMENT PLATE ASSEMBLY -- lateral adjustment	1
8	100653	SCREW -- cap, 1/4-28 x 3/4"	3
9	014158	SCREW -- 10-32 x 1/2"	3
10	197023	SPRING -- compression	1
11	197025	SCREW -- shoulder, 10-32 x 1.90/1.88	1
12	001771	WASHER -- .375 i.d., .875 o.d.	2
13	001847	NUT -- 3/8-24 x .150	2
14	179156	GEAR	1
15	180003	SHAFT -- idler	1
16	014372	SCREW -- set, 10-32 x 1/4"	2
17	179166	GEAR -- 40 teeth	1
18	014372	SCREW -- set, 10-32 x 1/4"	2
19	179167	GEAR -- 50 teeth	1
20	178995	HOUSING -- shaft	1
21	180384	SHAFT ASSEMBLY -- circumferential adjustment	1
22	014158	SCREW -- 10-32 x 1/2"	3
23	017462	SCREW -- pivot, 10-32 x 5/8"	2
24	197029	PIN -- dowel, .1252, .762	1
25	179172	RATCHET STOP	1

# MID SECTION

---

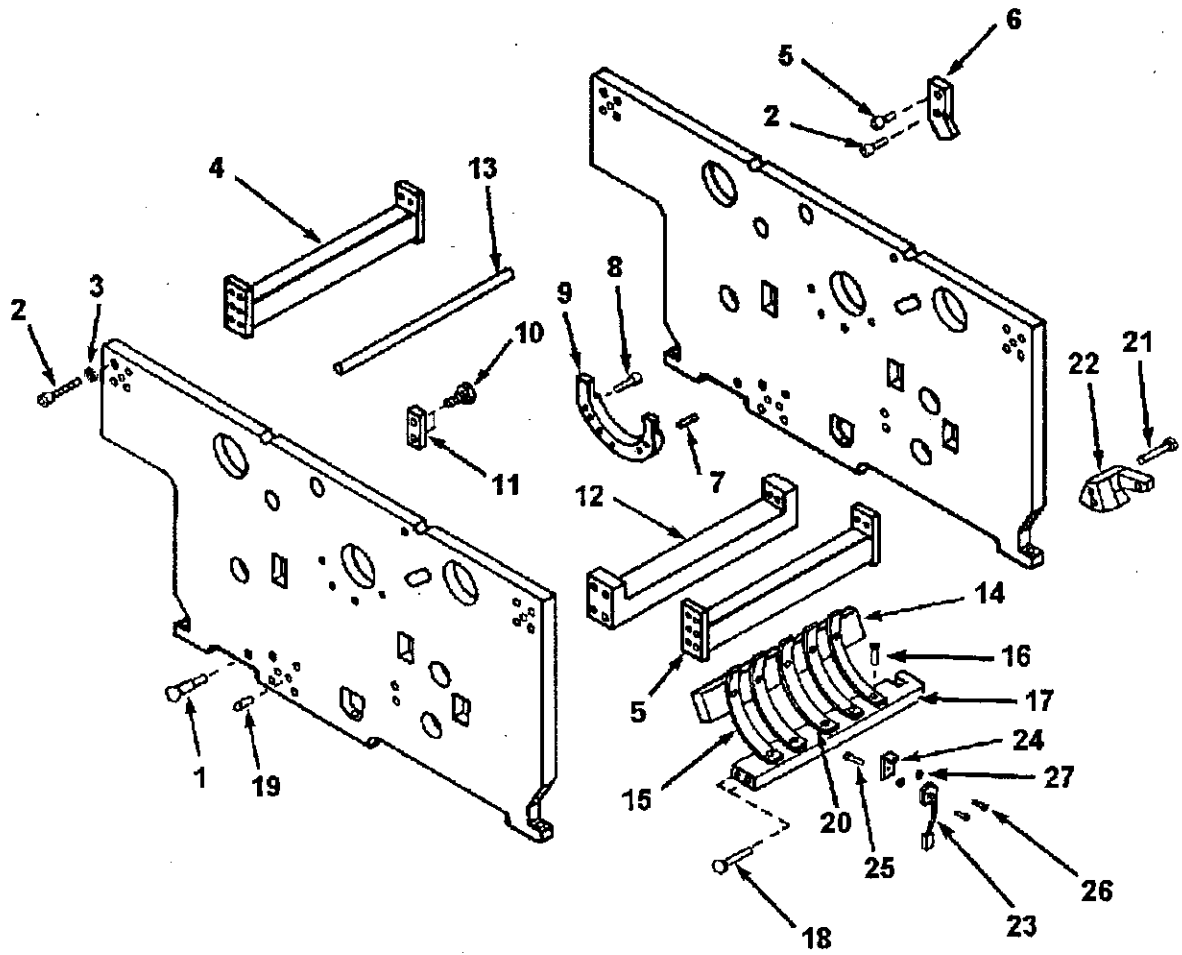




## CIRCUMFERENTIAL AND LATERAL ADJUSTMENTS -- PART 2

<u>FIGURE</u>	<u>PART NUMBER</u>	<u>DESCRIPTION</u>	<u>UNITS PER ASSEMBLY</u>
1	111058	SCREW -- hex washer, 10-32 x 7/8"	2
2	173157	CLAMP -- bracket	1
3	180002	PLATE -- detent	1
4	073078	LATCH AND PIN ASSEMBLY	1
5	071181	SCREW -- shoulder, 1/4-28 x 9/16"	1
6	072411	PIN -- spring	1
7	078745	SPRING	1

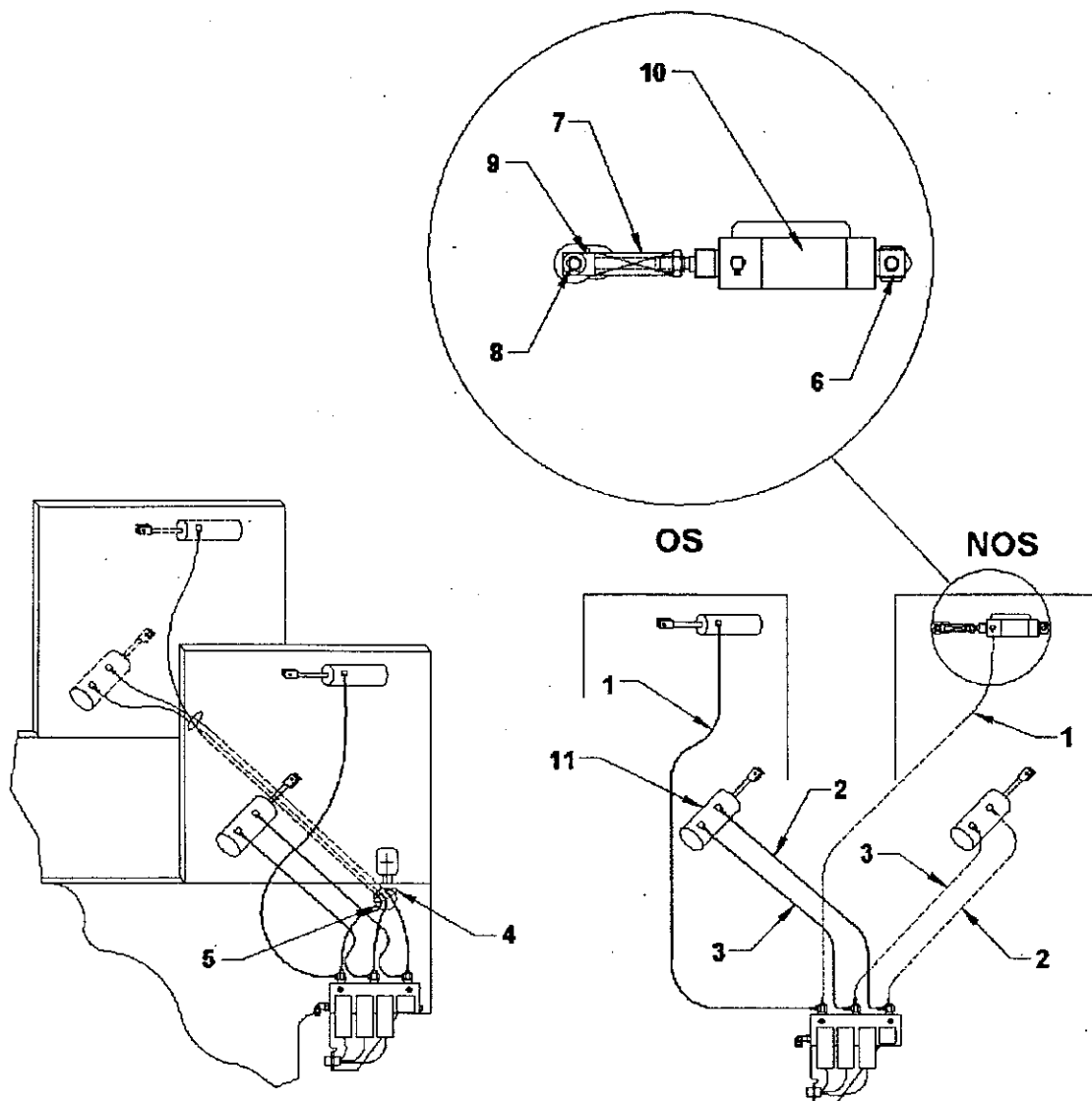
# MID SECTION



## MID-FRAME ASSEMBLY

<u>FIGURE</u>	<u>PART NUMBER</u>	<u>DESCRIPTION</u>	<u>UNITS PER ASSEMBLY</u>
1	196909	SCREW -- shoulder, 5/16-24 x 1"	2
2	102047	SCREW -- cap, 3/8-24 x 1 1/4"	24
3	001763	WASHER -- lock, 3/8	24
4	179412	BRACKET	2
5	192876	SCREW -- 3/8-24 x 1"	6
6	178941	STRAP	2
7	197144	PIN -- dowel	1
8	014157	SCREW -- cap, 1/4-28 x 1 1/4"	3
9	178502	CAM -- gripper, impression cylinder	1
10	192876	SCREW -- 3/8-24 x 1"	8
11	017910	STRAP	2
12	179505	BRACE -- mid-frame	1
13	179553	BAR -- tie	1
14	172830	SUPPORT -- guide, paper	1
15	179523	GUIDE -- paper	4
16	014327	SCREW -- cap, flat head, 10-32 x 1/2"	10
17	172335	SUPPORT -- guide paper	1
18	102047	SCREW -- 1/4-28 x 1 1/4," os	8
19	197021	PIN -- dowel, pull-out	8
20	173125	GUIDE -- paper	1
21	102121	SCREW -- 3/8-24 x 1 3/4"	1
22	172372	BRACKET	1
23	172988	TRANSFER CYLINDER SENSOR	1
24	173516	BRACKET -- sensor	1
25	001590	SCREW -- Phillips, 6-32 x 1/4"	1
26	100490	SCREW -- 2-56 x 1/2"	2
27	100137	NUT -- 2-56	2

# MID SECTION



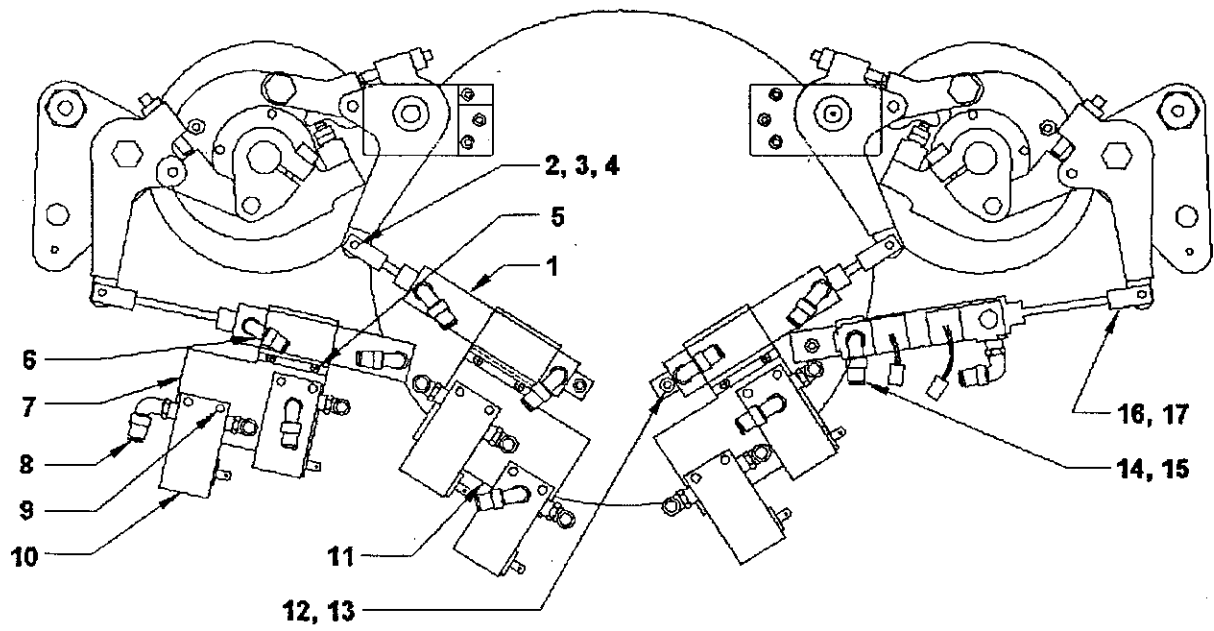
# MID SECTION

## LINE PNEUMATICS

<u>FIGURE</u>	<u>PART NUMBER</u>	<u>DESCRIPTION</u>	<u>UNITS PER ASSEMBLY</u>
1	178407	TUBING -- clear, .063 i.d., .125 o.d., 48" (sold 31')	2
2	178407	TUBING -- clear, .063 i.d., .125 o.d., 43" (sold 31')	2
3	178408	TUBING -- grey, .063 i.d., .125 o.d., 43" (sold 14.5')	2
4	172509	TIE -- flagged cable	1
5	250077	STA-STRAP	6
6	179834	STAND OFF -- air cylinder	4
7	196881	SPRING, compression	4
8	001060	RETAINING RING	4
9	179370	CLEVIS -- piston rod	4
10	172710	AIR CYLINDER <i>WATER ONLY</i>	2 <i>PER TOWER</i>
11	<del>179216</del> 173849	AIR CYLINDER	2
12		<i>SWIVEL AIR FITTING</i>	

# MID SECTION

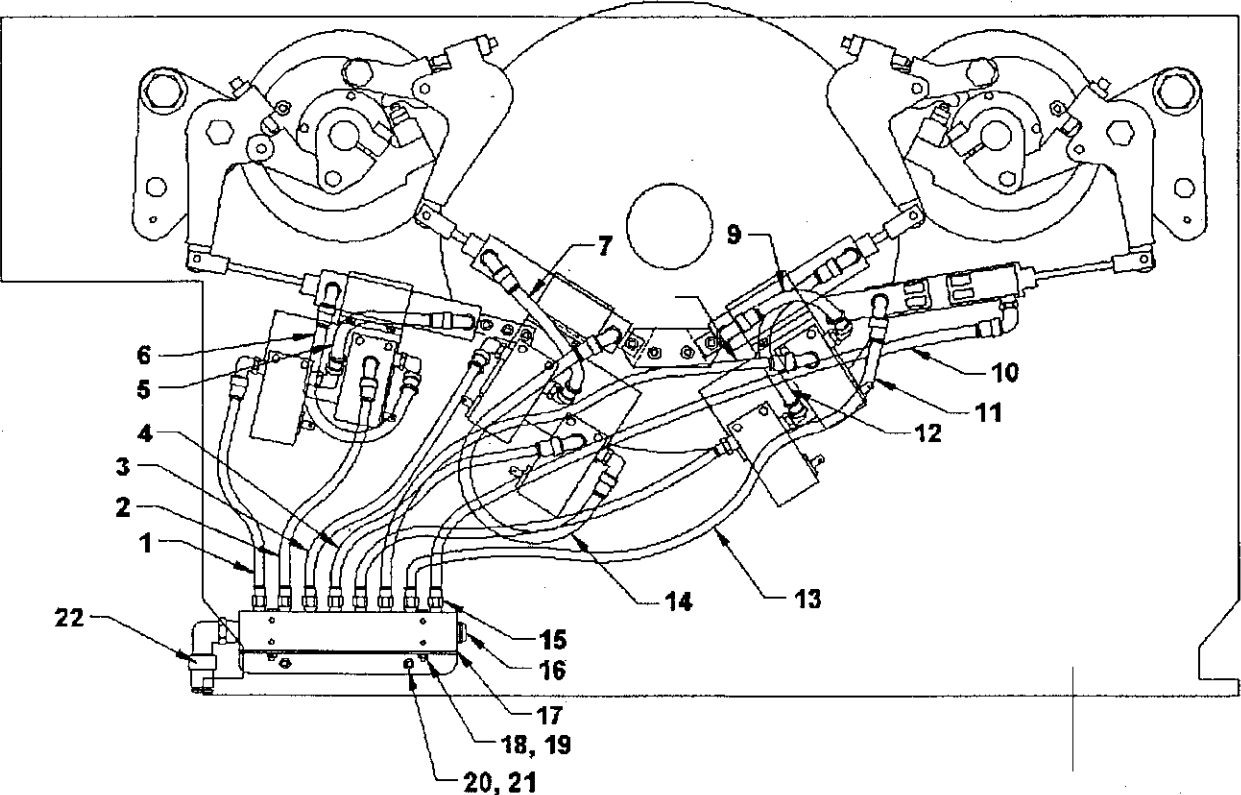
---



## OS PNEUMATICS -- AIR VALVES AND FITTINGS

<u>FIGURE</u>	<u>PART NUMBER</u>	<u>DESCRIPTION</u>	<u>UNITS PER ASSEMBLY</u>
1	179802	AIR CYLINDER	4
2	001060	RETAINING RING	4
3	178360	PIN -- clevis	4
4	102092	BUSHING -- sleeve	4
5	001541	SCREW -- Phillips, 6-32 x 1/4"	4
6	196977	FITTING -- elbow, male, swivel	7
7	179760	CLAMP	2
8	196977	FITTING -- elbow, male, swivel	12
9	197450	SCREW -- pan head, 4-40 x 3/4"	12
10	172711	THREE-WAY VALVE ASSEMBLY	8
11	179816	CLAMP	11
12	179547	STAND OFF -- air cylinder	4
13	001060	RETAINING RING	4
14	179804	NIPPLE -- close	2
15	196978	FITTING -- elbow, male	1
16	179370	CLEVIS -- piston rod	4
17	001834	NUT -- hex, 5/16-24	4

# MID SECTION

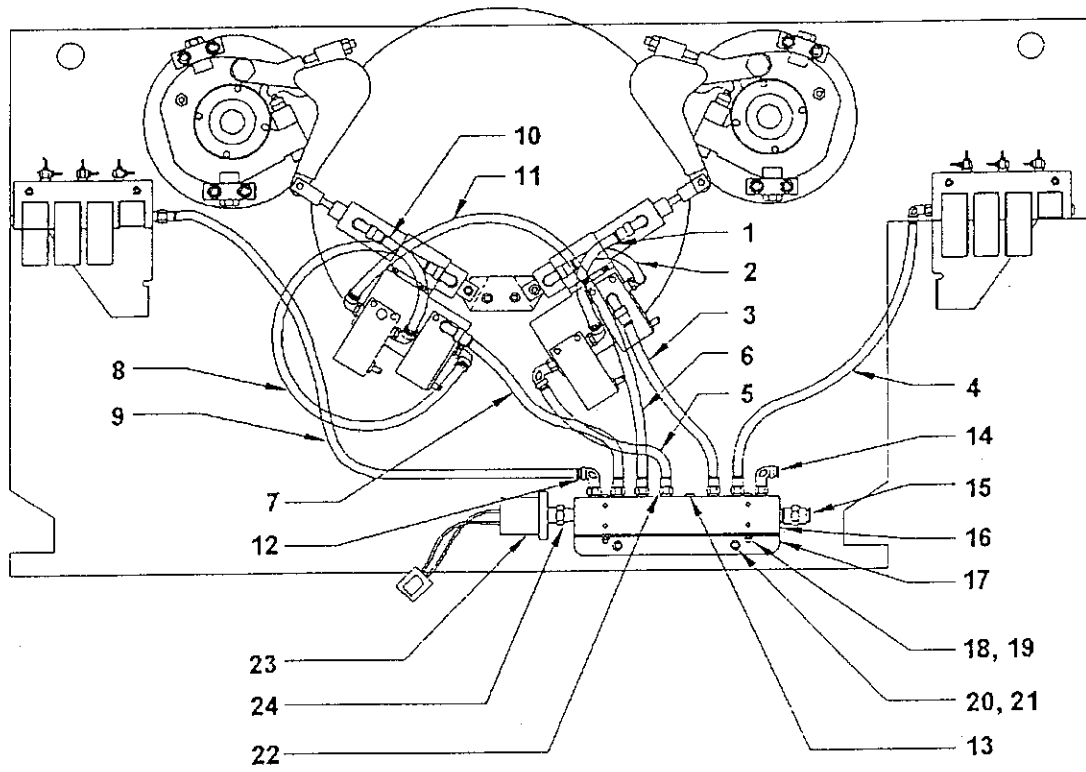




## OS PNEUMATICS -- AIR LINES AND FITTINGS

FIGURE	PART NUMBER	DESCRIPTION	UNITS PER ASSEMBLY
1	178401	TUBING -- natural, .170 i.d., .250 o.d., 6 1/2" (sold 22.5')	1
2	178401	TUBING -- natural, .170 i.d., .250 o.d., 8 1/8" (sold 22.5')	1
3	178401	TUBING -- natural, .170 i.d., .250 o.d., 9 1/2" (sold 22.5')	1
4	178401	TUBING -- natural, .170 i.d., .250 o.d., 11 1/2" (sold 22.5')	1
5	178401	TUBING -- natural, .170 i.d., .250 o.d., 5" (sold 22.5')	1
6	178401	TUBING -- natural, .170 i.d., .250 o.d., 3 3/4" (sold 22.5')	1
7	178401	TUBING -- natural, .170 i.d., .250 o.d., 5 1/8" (sold 22.5')	1
8	178401	TUBING -- natural, .170 i.d., .250 o.d., 15" (sold 22.5')	1
9	178401	TUBING -- natural, .170 i.d., .250 o.d., 7" (sold 22.5')	1
10	178401	TUBING -- natural, .170 i.d., .250 o.d., 21" (sold 22.5')	1
11	178401	TUBING -- natural, .170 i.d., .250 o.d., 19" (sold 22.5')	1
12	178401	TUBING -- natural, .170 i.d., .250 o.d., 5 1/4" (sold 22.5')	1
13	178401	TUBING -- natural, .170 i.d., .250 o.d., 15" (sold 22.5')	1
14	178401	TUBING -- natural, .170 i.d., .250 o.d., 6" (sold 22.5')	1
15	196971	CONNECTOR -- male	8
16	197095	PLUG -- pipe, (serial number 384 and below)	1
16	196973	PLUG -- pipe, (serial number 385 and above)	1
17	172709	MANIFOLD -- 10 port, (serial number 384 and below)	1
17	173560	MANIFOLD -- (serial number 385 and above)	1
18	110037	SCREW -- 6-32 x 1 1/4," (serial number 384 and below)	2
18	102014	SCREW -- (serial number 385 and above)	2
19	014812	NUT -- keps, (serial number 384 and below)	2
19	014808	NUT -- (serial number 385 and above)	2
20	100339	SCREW -- cap, 1/4-28 x 3/8"	2
21	001731	WASHER -- lock, .263 i.d., .485 o.d.	2
22	197396	FITTING -- elbow, male, swivel, (serial number 384 and below)	1
22	197438	FITTING -- elbow, male, (serial number 385 and above)	1

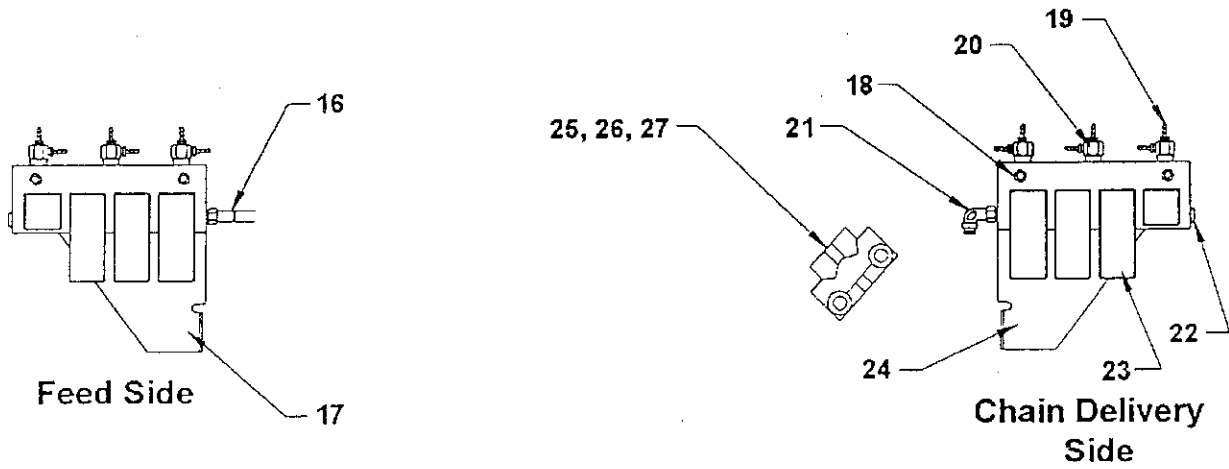
# MID SECTION



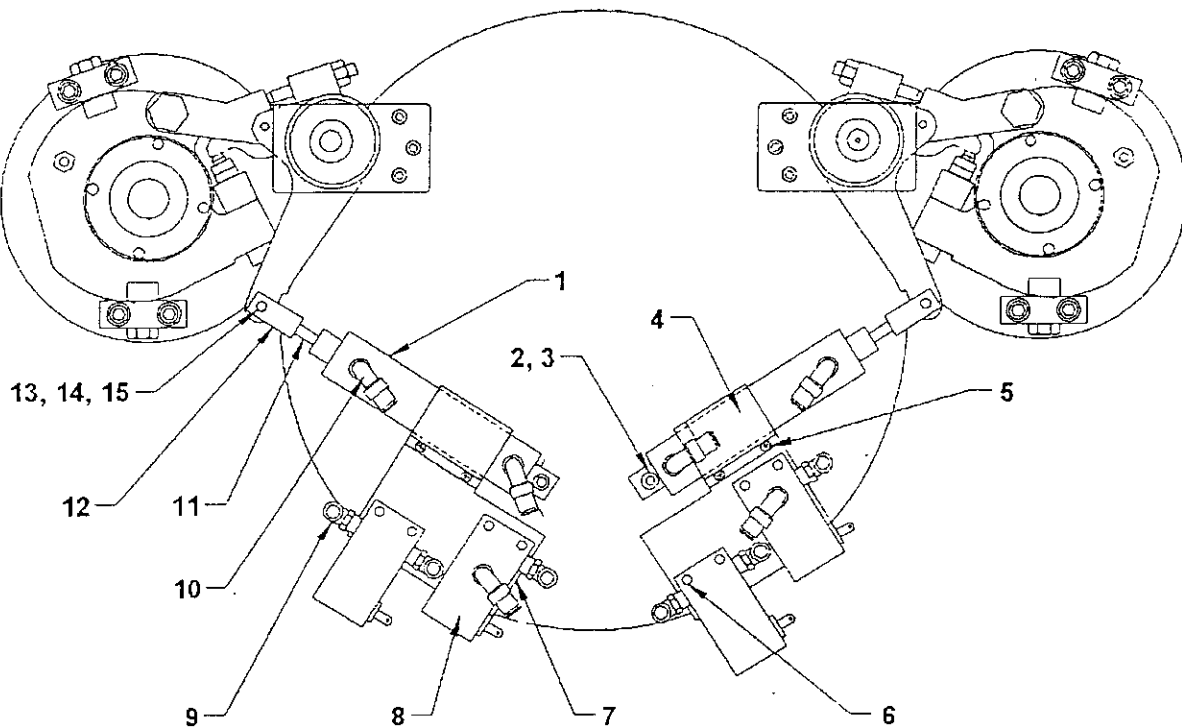
## NOS PNEUMATICS -- AIR LINES AND FITTINGS

<u>FIGURE</u>	<u>PART NUMBER</u>	<u>DESCRIPTION</u>	<u>UNITS PER ASSEMBLY</u>
1	178401	TUBING -- natural, .170 i.d., .250 o.d., 4 1/2" (sold 22.5')	1
2	178401	TUBING -- natural, .170 i.d., .250 o.d., 4" (sold 22.5')	1
3	178401	TUBING -- natural, .170 i.d., .250 o.d., 8" (sold 22.5')	1
4	178401	TUBING -- natural, .170 i.d., .250 o.d., 14" (sold 22.5')	1
5	178401	TUBING -- natural, .170 i.d., .250 o.d., 9 1/4" (sold 22.5')	1
6	178401	TUBING -- natural, .170 i.d., .250 o.d., 15" (sold 22.5')	1
7	178401	TUBING -- natural, .170 i.d., .250 o.d., 9" (sold 22.5')	1
8	178401	TUBING -- natural, .170 i.d., .250 o.d., 6" (sold 22.5')	1
9	178401	TUBING -- natural, .170 i.d., .250 o.d., 19 1/4" (sold 22.5')	1
10	178401	TUBING -- natural, .170 i.d., .250 o.d., 4 1/2" (sold 22.5')	1
11	178401	TUBING -- natural, .170 i.d., .250 o.d., 15" (sold 22.5')	1
12	196977	FITTING -- elbow, male, swivel	1
13	197389	PLUG -- pipe, 1/8" npt	1
14	196977	FITTING -- elbow, male, swivel	1
15	197395	FITTING -- male, (serial number 384 and below)	1
15	197437	FITTING -- (serial number 385 and above)	1
16	172709	MANIFOLD -- 10 port, (serial number 384 and below)	1
16	173560	MANIFOLD -- (serial number 385 and above)	1
17	172895	BRACKET -- manifold mounting, (serial number 384 and below)	1
17	173598	BRACKET -- (serial number 385 and above)	1
18	014812	NUT -- keps, (serial number 384 and below)	2
18	014808	NUT -- (serial number 385 and above)	2
19	110037	SCREW -- 6-32 x 1 1/4," (serial number 384 and below)	2
19	102014	SCREW -- (serial number 385 and above)	2
20	100339	SCREW -- cap, 1/4-28 x 3/8"	2
21	001731	WASHER -- lock, .263 i.d., .485 o.d.	2
22	196971	CONNECTOR -- male	5
23	178184	AIR PRESSURE SWITCH ASSEMBLY	1
24	102289	FITTING -- (serial number 385 and above)	1

# MID SECTION

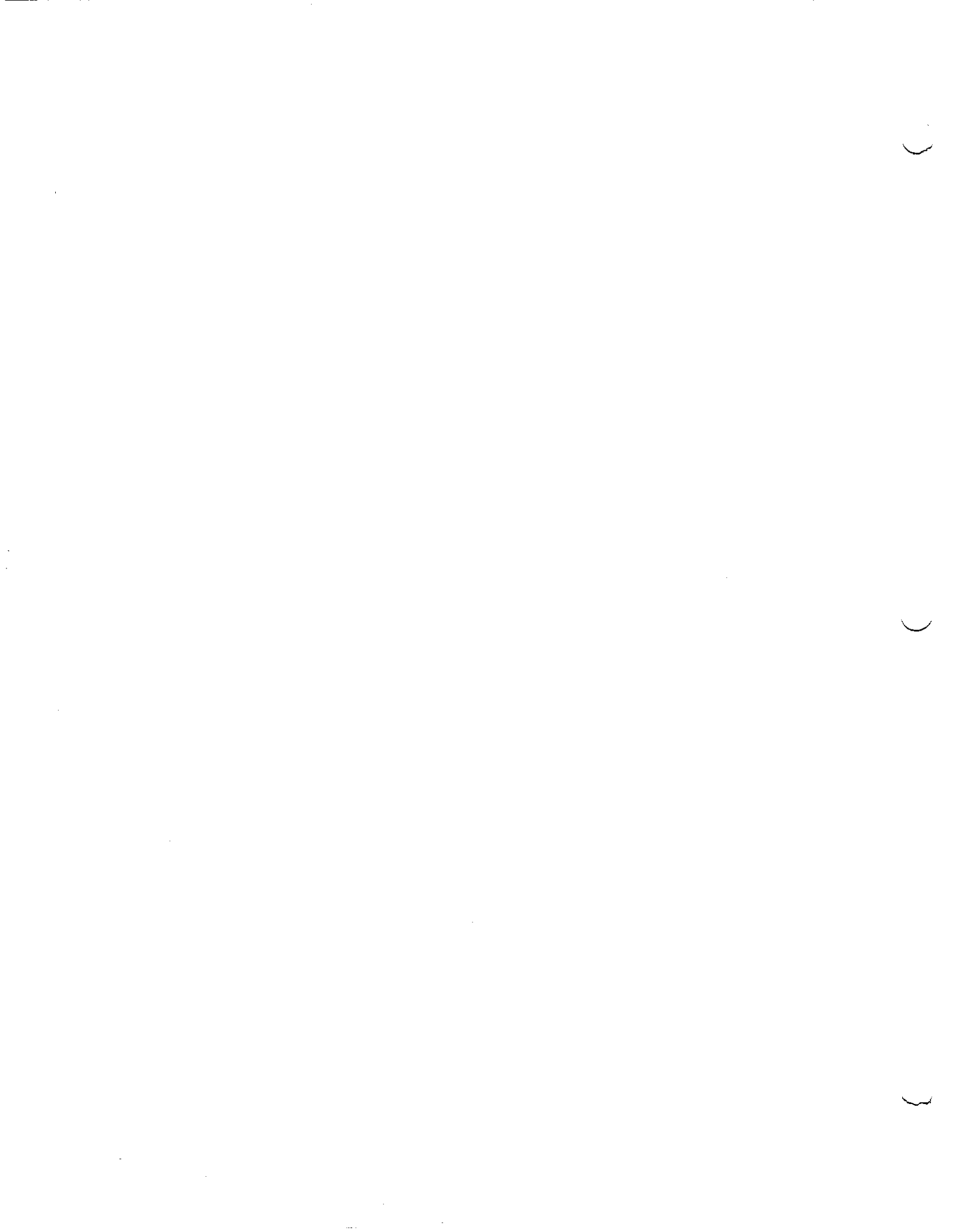


NOS



## NOS PNEUMATICS -- AIR VALVES AND FITTINGS

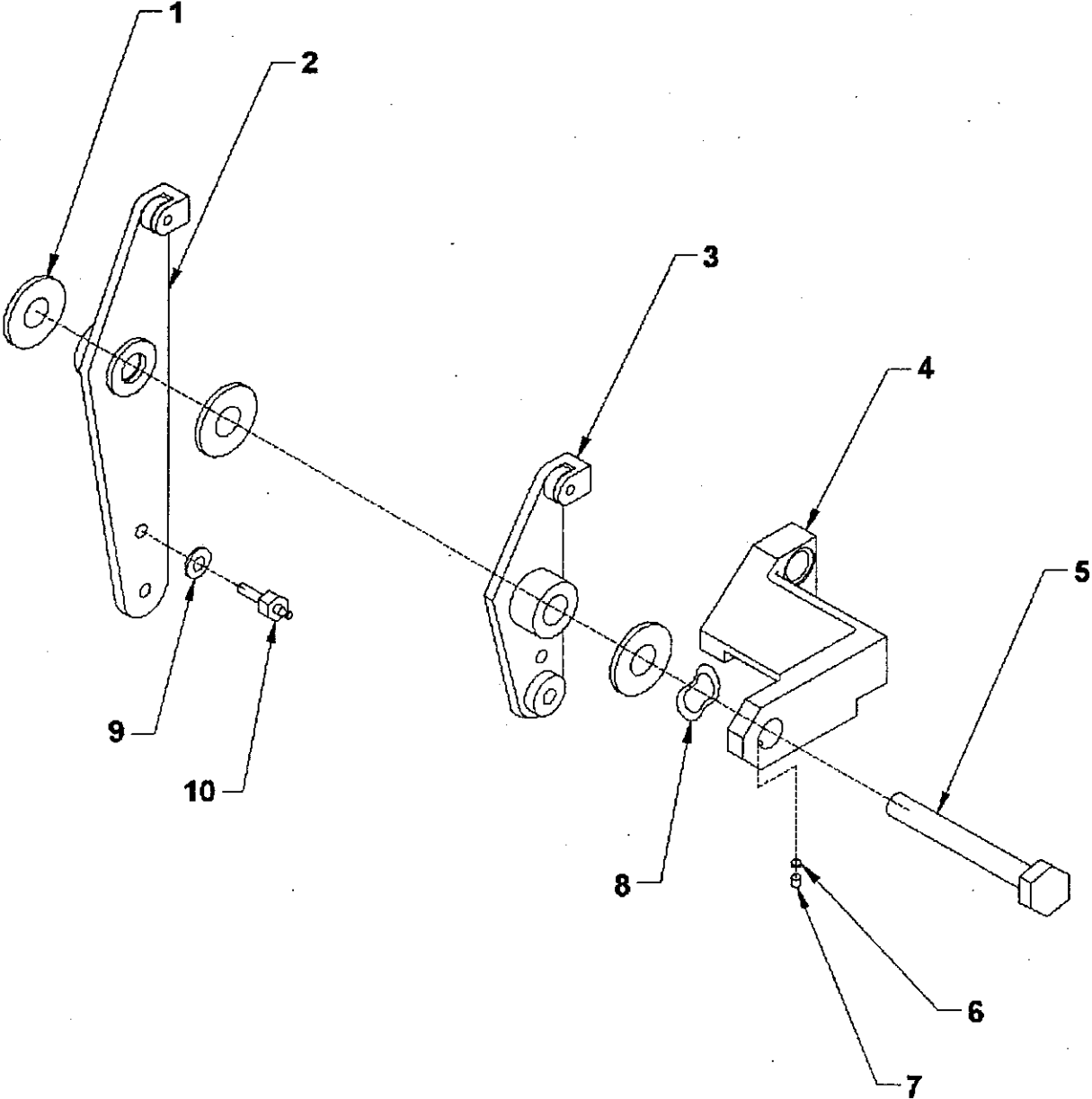
<u>FIGURE</u>	<u>PART NUMBER</u>	<u>DESCRIPTION</u>	<u>UNITS PER ASSEMBLY</u>
1	179802	AIR CYLINDER	2
2	179547	STAND OFF -- air cylinder	2
3	001060	RETAINING RING	2
4	179760	CLAMP -- bracket	4
5	001541	SCREW -- 6/32 x 1/4"	4
6	197450	SCREW -- Phillips pan head, 4-40 x 7/8"	8
7	179816	CLAMP -- bracket	1
8	172711	VALVE ASSEMBLY -- 3 way	4
9	196977	FITTING -- elbow, male, swivel	8
10	196977	FITTING -- elbow, male, swivel	4
11	001834	NUT -- hex, 5/16-24	2
12	179370	CLEVIS -- piston rod	2
13	102092	BUSHING -- sleeve	2
14	178360	PIN -- clevis	2
15	001060	RETAINING RING	2
16	196971	CONNECTOR -- male, feed side	1
17	172549	BRACKET -- connector	1
18	102116	SCREW -- socket head with 666 lock washer, 10-32 x 1 1/4"	2
19	179815	BARB -- 10-32 x 1/16," (serial number 384 and below)	6
19	197441	BARB -- (serial number 385 and above)	6
20	179763	TEE -- v8npt, (serial number 384 and below)	3
20	197439	TEE -- (serial number 385 and above)	3
21	196977	FITTING -- elbow, male, swivel, chain delivery side	1
22	197389	PLUG -- pipe, 1/8 npt	1
23	172707	VALVE BAR ASSEMBLY	1
24	173322	BRACKET -- connector	1
25	180479	JUNCTION -- 6 way, double	1
26	014165	SCREW -- 1/4-28 x 1"	2
27	001731	WASHER -- lock, .263 i.d., .485 o.d.	2



***Feeder Section***

---

# FEEDER SECTION





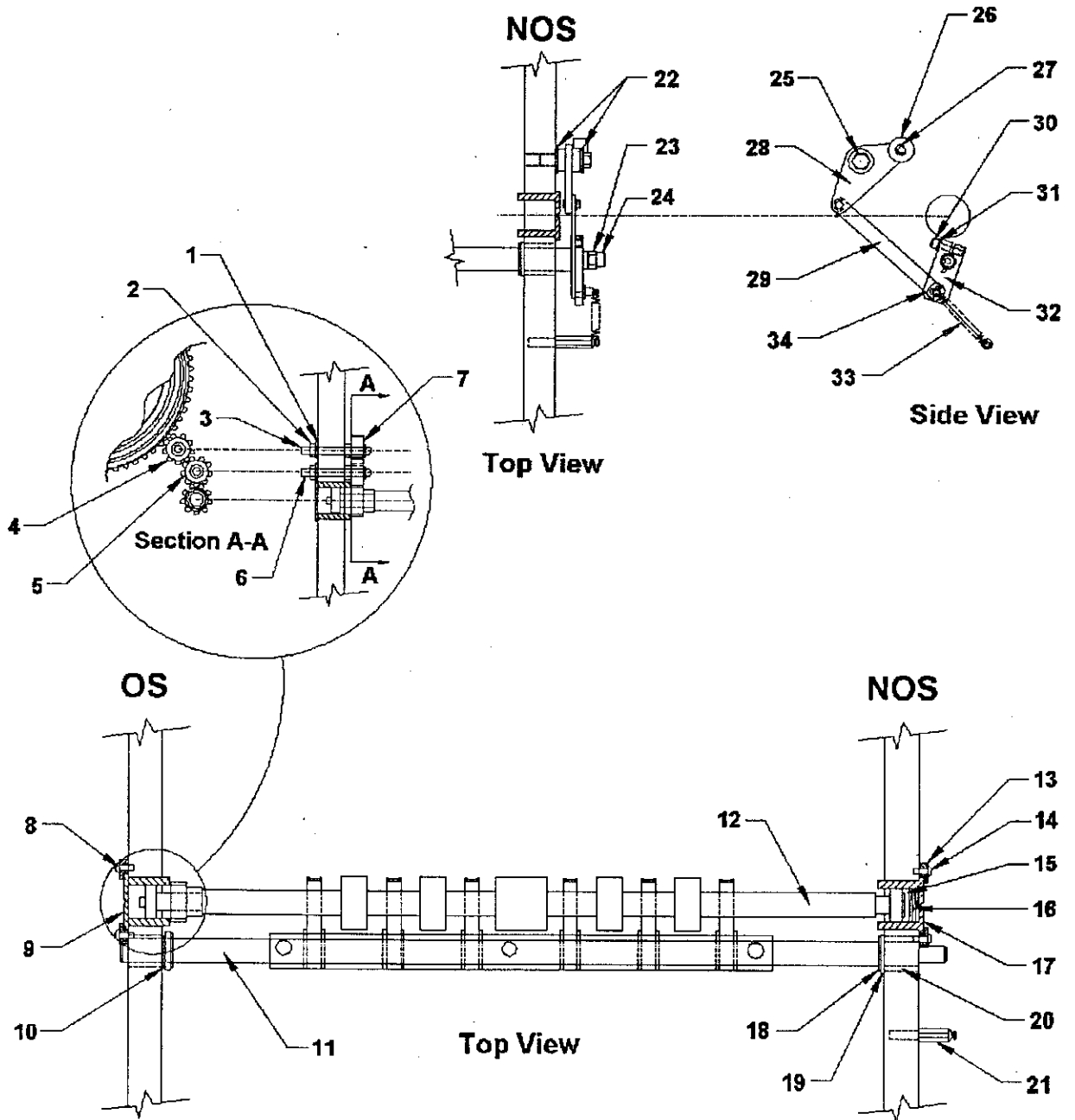
# FEEDER SECTION

---

## CAM FOLLOWER REGISTRATION

<u>FIGURE</u>	<u>PART NUMBER</u>	<u>DESCRIPTION</u>	<u>UNITS PER ASSEMBLY</u>
1	197127	WASHER -- thrust	3
2	172958	LEVER ASSEMBLY -- striker bar	1
3	172957	LEVER ASSEMBLY -- valve	1
4	172372	BRACKET -- follower pivot	1
5	102248	SCREW -- socket head, 3/8-16 x 2 1/2"	1
6	172947	INSERT -- brass	1
7	102243	SCREW -- set, 1/4-20 x 3/16"	1
8	193090	WASHER -- .541 i.d., .791 o.d.	1
9	003855	WASHER -- .256 i.d., .500 o.d.	1
10	178750	STUD -- spring	1

# FEEDER SECTION



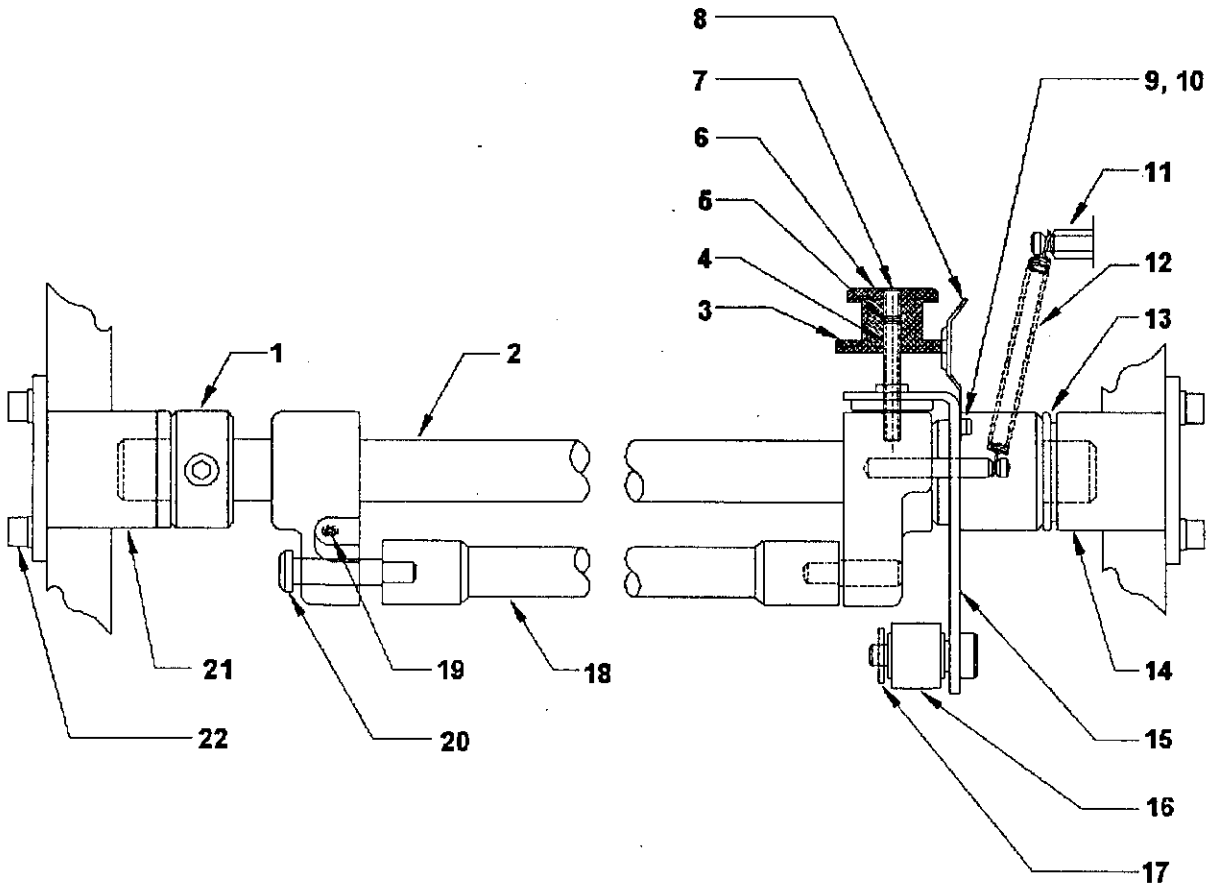
# FEEDER SECTION

## STOP FINGER ASSEMBLY

<u>FIGURE</u>	<u>PART NUMBER</u>	<u>DESCRIPTION</u>	<u>UNITS PER ASSEMBLY</u>
1	001710	WASHER -- lock, .320 i.d., .570 o.d.	2
2	001834	NUT -- hex, 5/16-24	2
3	179457	SHAFT -- drive gear	1
4	173309	GEAR	1
5	173312	GEAR ASSEMBLY	1
6	172337	SHAFT -- drive gear	1
7	001080	RETAINING RING	2
8	111074	SCREW -- 1/4-28 x 3/4"	2
9	172274	HOUSING -- bearing, os	1
10	197048	WASHER -- wave	1
11	173163	STOP FINGER	1
12	173649	ROLLER ASSEMBLY	1
13	179720	HOUSING -- clamp	4
14	101086	SCREW -- 1/4-28 x 3/4"	2
15	172870	DISC -- bearing preload	1
16	196992	SPRING -- compression	1
17	172273	BEARING -- housing, nos	1
18	014510	"E" RING	2
19	178888	BEARING -- thrust	2
20	197047	BEARING	2
21	172333	STUD	1
22	197052	BEARING -- thrust	2
23	014808	NUT -- 10-32	1
24	014158	SCREW -- 10-22 x 1/2"	1
25	072304	SCREW -- shoulder	1
26	102128	BALL BEARING	1
27	001778	RING -- snap	2
28	173052	FOLLOWER ASSEMBLY	1
29	172948	LINK ASSEMBLY	1
30	100334	SCREW -- 10-32 x 3/4"	1
31	000666	WASHER -- lock	1
32	178654	CRANK	1
33	178741	SPRING -- extension	1
34	001060	RETAINING RING	1

# FEEDER SECTION

---

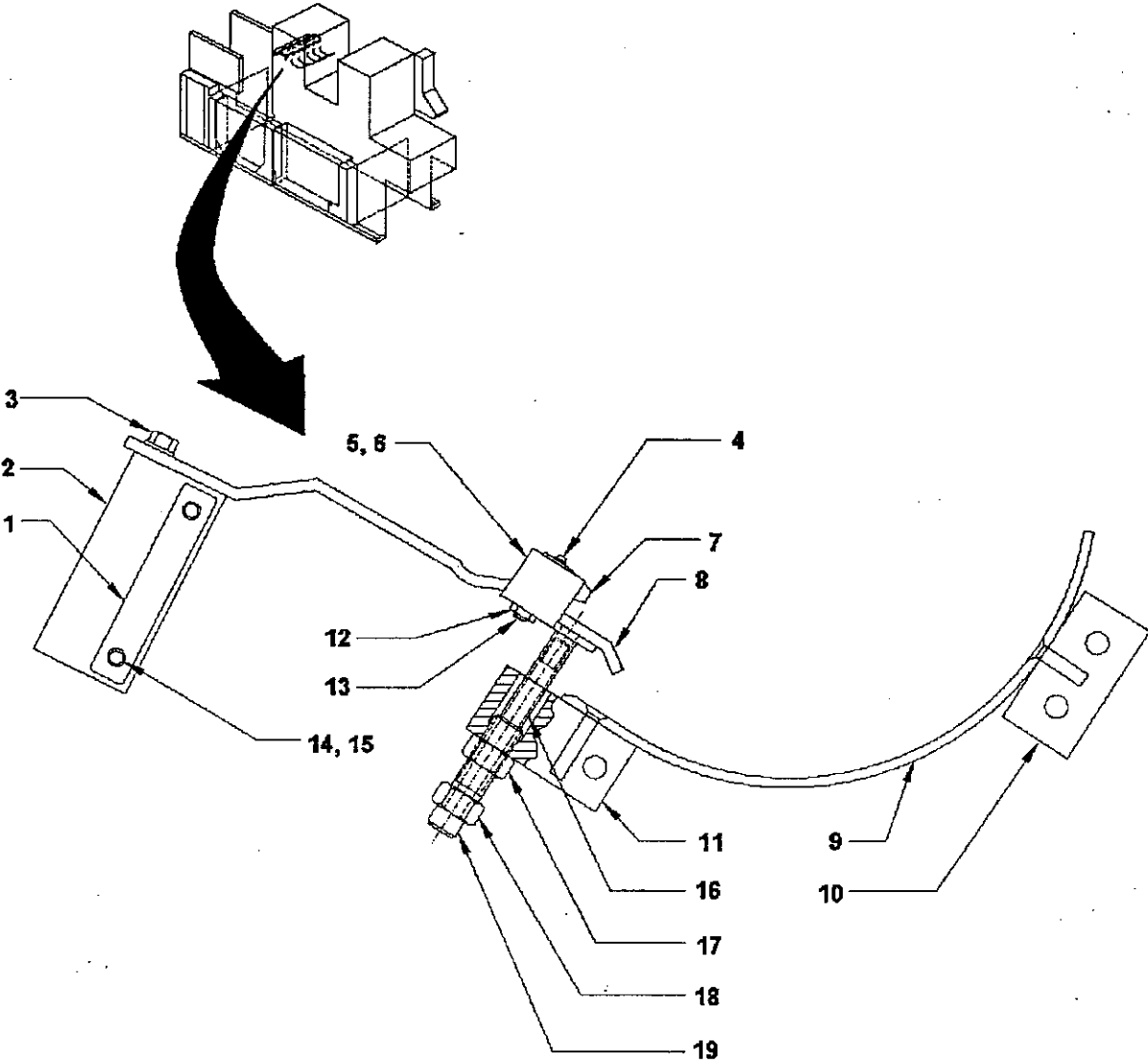


# FEEDER SECTION

## UPPER FORWARDING ROLLER ASSEMBLY

<u>FIGURE</u>	<u>PART NUMBER</u>	<u>DESCRIPTION</u>	<u>UNITS PER ASSEMBLY</u>
1	179452	COLLAR -- screw, set	1
2	180824	SHAFT ASSEMBLY	1
3	172970	LABEL -- dial	1
4	100130	SCREW -- set, 10-32 x 1"	1
5	173126	BALL -- steel, 5/32"	1
6	179482	KNOB	1
7	014247	SCREW -- set, 10-32 x 1/4"	1
8	180936	SPRING -- knob, retaining	1
9	001722	WASHER -- lock	2
10	101906	SCREW -- hex, 8-32 x 5/16"	2
11	178410	STUD -- spring	1
12	190148	SPRING	1
13	081789	SPACER	1
14	179417	BUSHING ASSEMBLY -- os	1
15	180938	LEVER ASSEMBLY -- cam follower	1
16	197001	ROLLER -- track	1
17	001060	RETAINING RING	1
18	179470	ROLLER ASSEMBLY	1
19	014247	SCREW -- set, 10-32 x 1/4"	1
20	180933	PIN -- bearing	1
21	179480	BUSHING -- nos	1
22	101086	SCREW -- cap, 1/14-28 x 3/4"	1

# FEEDER SECTION

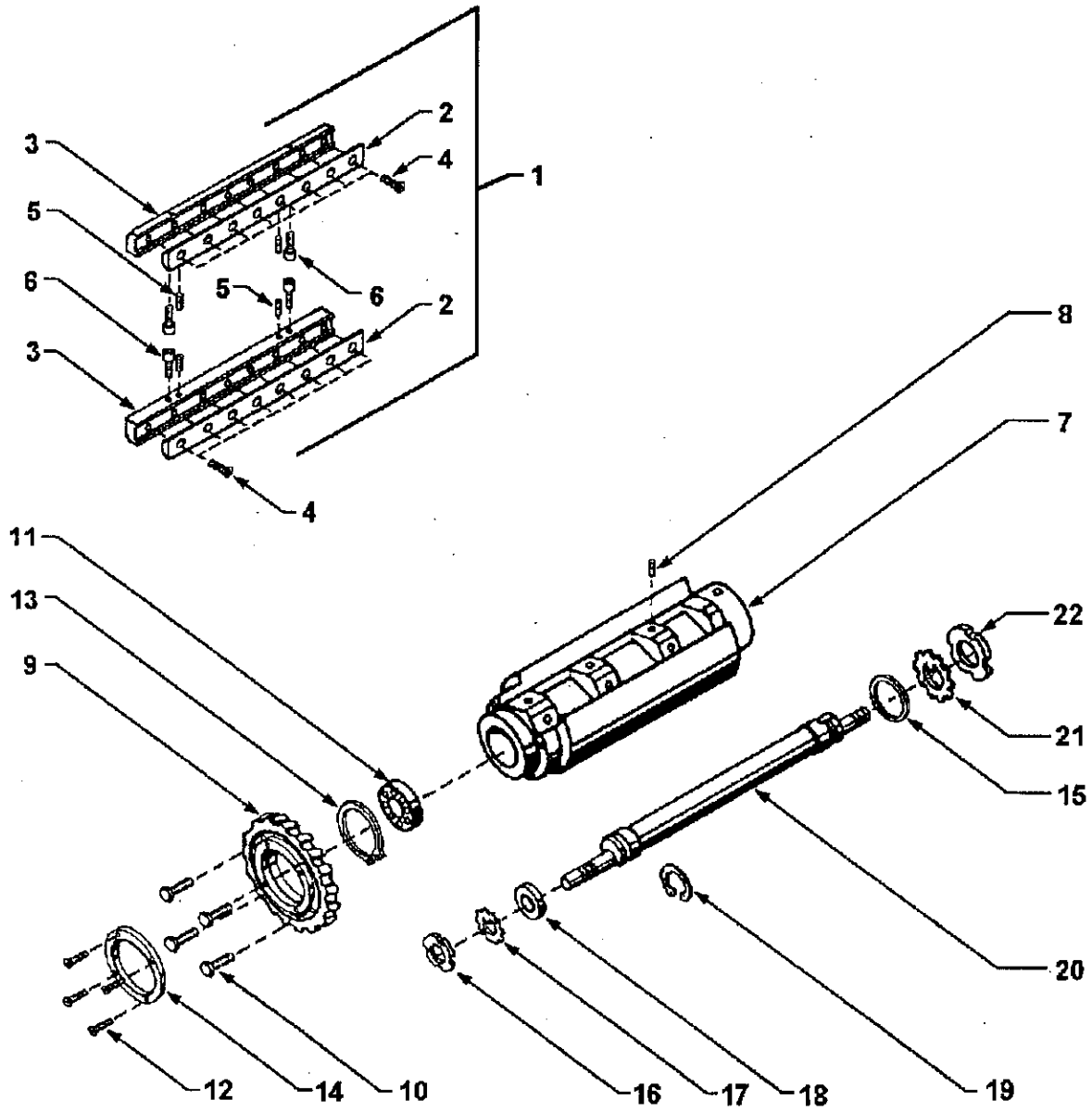


# FEEDER SECTION

## FRONT PAPER GUIDE ASSEMBLY

<u>FIGURE</u>	<u>PART NUMBER</u>	<u>DESCRIPTION</u>	<u>UNITS PER ASSEMBLY</u>
1	173590	ADJUSTMENT PLATE	2
2	173591	BRACKET -- rear, paper guide	2
3	111071	SCREW -- 1/4-28 x 1/2"	2
4	111015	SCREW -- 6/32 x 1/4"	2
5	180685	CLIP -- front paper guide, os	1
6	180686	CLIP -- front paper guide, nos	1
7	173652	PAPER GUIDE -- upper	1
8	173650	FRONT PAPER GUIDE ASSEMBLY	1
9	179523	PAPER GUIDE -- transfer cylinder	1
10	172355	BRACKET -- feeder mounting	1
11	172830	SUPPORT -- paper guide	1
12	100228	NUT -- 4/40	4
13	112515	SCREW -- Phillips head, 4-40 x 5/16"	4
14	001731	WASHER -- lock, .250 i.d., .485 o.d.	4
15	102104	SCREW -- 1/4-28 x 2"	4
16	172832	SPACER	2
17	001845	NUT -- 3/8-24	2
18	172831	SCREW -- leveling	2
19	102235	SCREW -- socket adjustment, 10-32 x 2 1/4"	2

# FEEDER SECTION



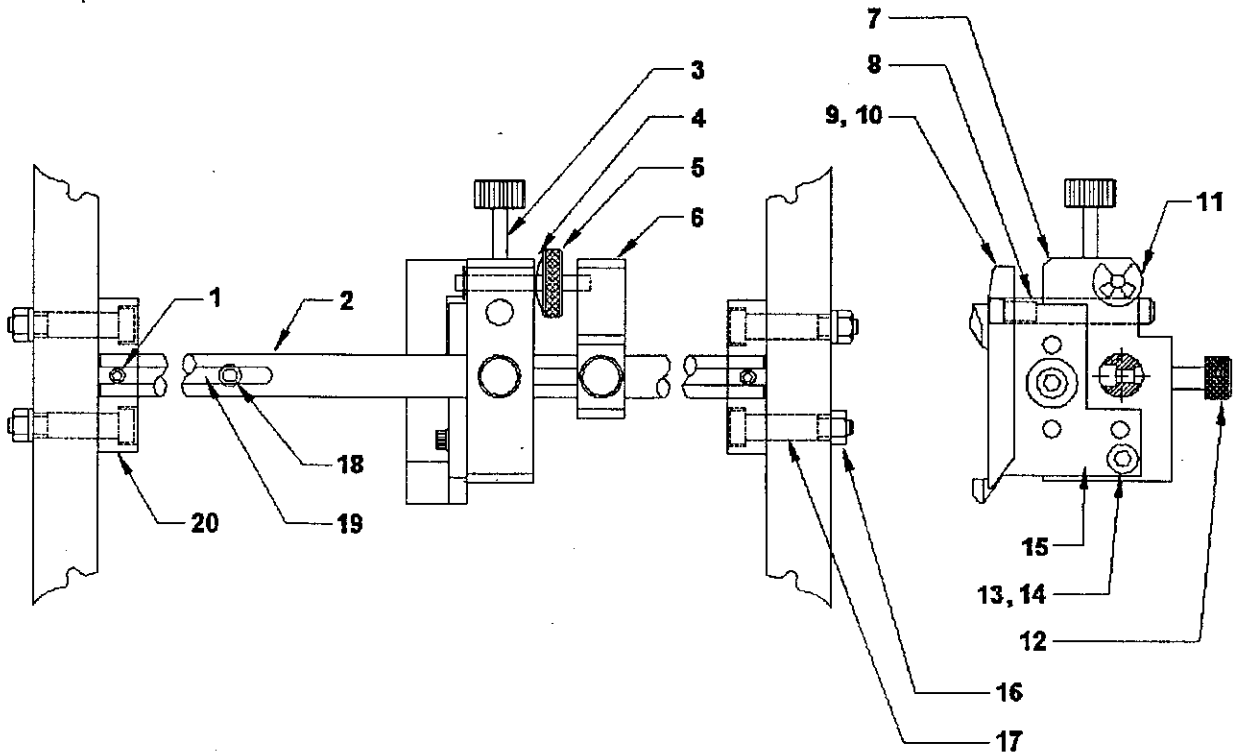


# FEEDER SECTION

## BLANKET CYLINDER

<u>FIGURE</u>	<u>PART NUMBER</u>	<u>DESCRIPTION</u>	<u>UNITS PER ASSEMBLY</u>
1	179504	BLANKET/CLAMP ASSEMBLY	1
2	173666	BLANKET/CLAMP TOP	2
3	173667	BLANKET/CLAMP BODY	2
4	014151	SCREW -- 10-32 x 1/2"	20
5	102173	SCREW -- set, 1/4-28	4
6	197394	SCREW -- blanket/clamp	8
7	173393	BLANKET CYLINDER ASSEMBLY	1
8	100392	SCREW -- insert	6
9	179022	GEAR -- blanket, helix	2
10	111092	SCREW -- hex, 5/16-24 x 1"	16
11	102237	BALL BEARING	2
12	100806	SCREW -- 1/4-28 x 3/4"	16
13	102071	RETAINING RING	2
14	172723	RETAINER -- bearing	4
15	173392	SPACER	2
16	197344	NUT -- lock, bearing	2
17	197343	WASHER -- lock, bearing	2
18	180208	SPACER	2
19	102071	RETAINING RING	2
20	173391	SHAFT -- blanket cylinder	2
21	197223	BEARING -- washer, lock	2
22	197224	BEARING -- nut, lock	2

# FEEDER SECTION



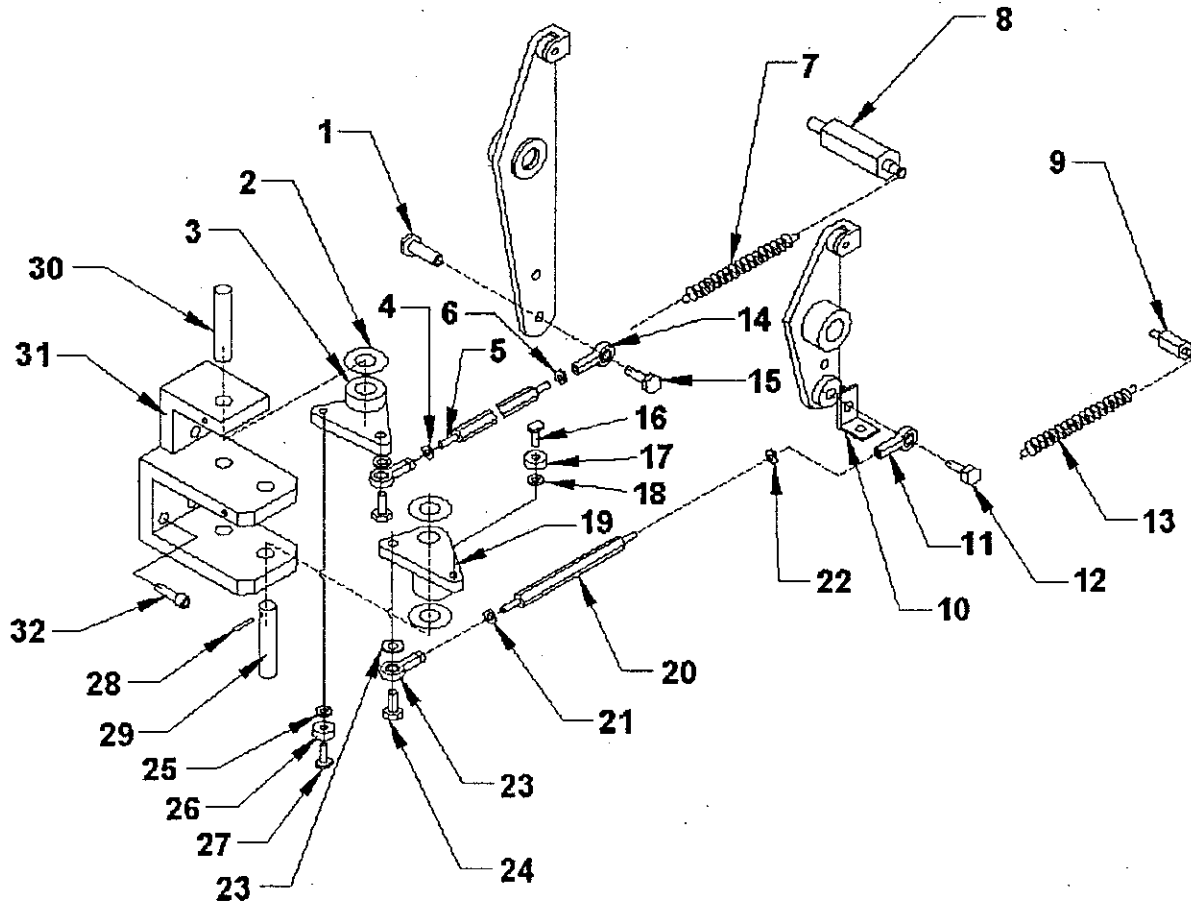
# FEEDER SECTION

## SIDE LAY REGISTER ASSEMBLY

<u>FIGURE</u>	<u>PART NUMBER</u>	<u>DESCRIPTION</u>	<u>UNITS PER ASSEMBLY</u>
1	100367	SCREW -- set, 1/4-28 x 1/2"	1
2	172347	GUIDE -- shaft	1
3	075713	SCREW -- knurled	1
4	014741	WASHER -- spring	1
5	178650	SCREW -- micro lateral adjustment	1
6	172346	BLOCK -- micro lateral adjustment	1
7	172700	BLOCK -- micro lateral adjustment	1
8	179877	POST	1
9	172382	FOOT REGISTER	1
10	014164	SCREW -- 8-32 x 7/16"	1
11	001060	RETAINING RING	1
12	041610	SCREW -- lock, knurled	2
13	100459	SCREW -- 10-32 x 1/2"	2
14	190302	WASHER -- .190 i.d., .375 o.d.	1
15	172537	GUIDE -- register	4
16	150084	NUT -- 1/4-20	4
17	197079	SCREW -- shoulder	2
18	014164	SCREW -- 8-32 x 7/16"	2
19	172359	GUIDE KEY	2
20	172366	BRACKET -- side guide	2

# FEEDER SECTION

---

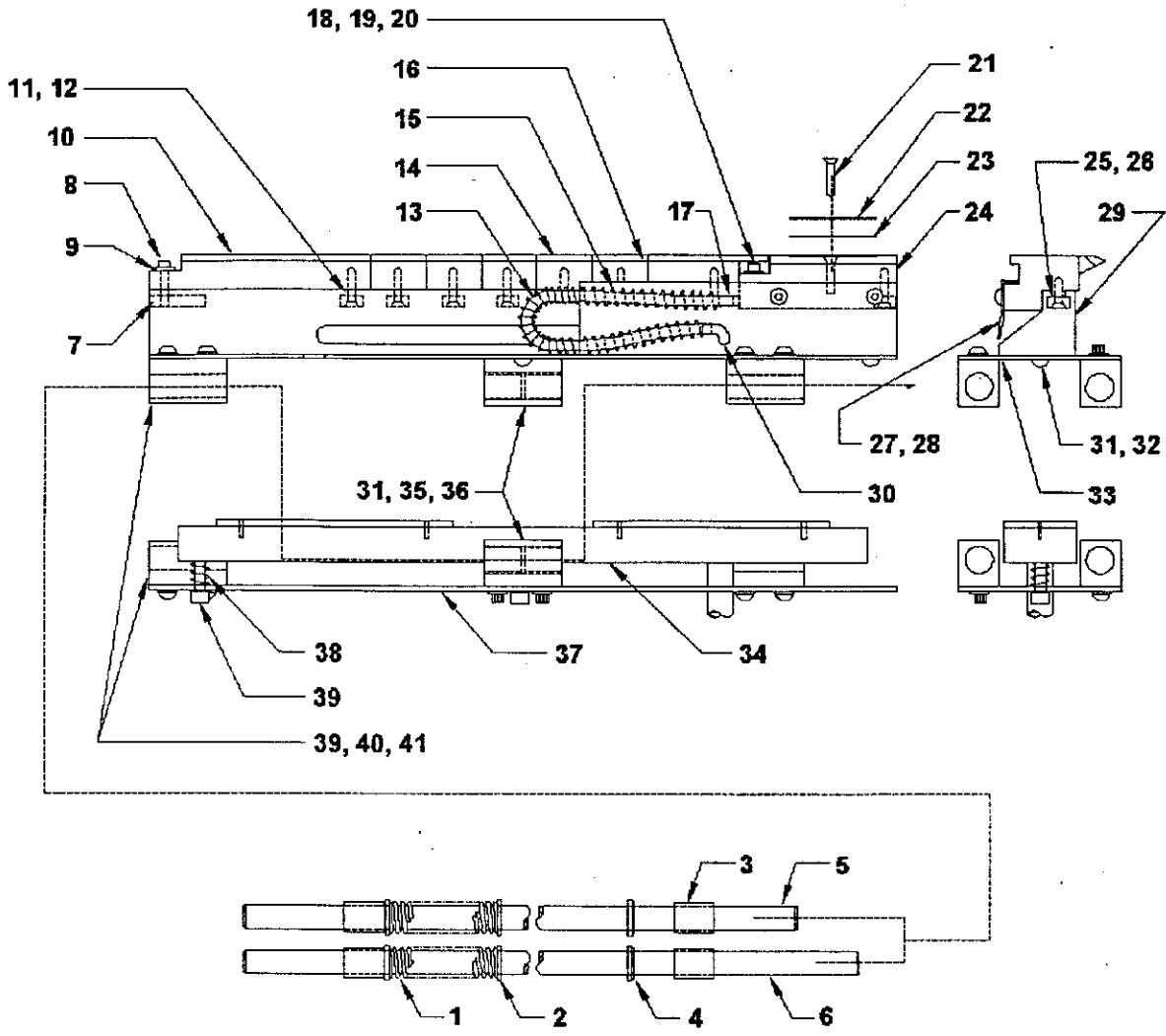


# FEEDER SECTION

## REGISTRATION SIDE PULLS

<u>FIGURE</u>	<u>PART NUMBER</u>	<u>DESCRIPTION</u>	<u>UNITS PER ASSEMBLY</u>
1	172344	STUD FOLLOWER	1
2	003164	WASHER -- .383 i.d., .745 o.d.	4
3	172424	LEVER ASSEMBLY	1
4	102215	NUT -- hex, 5/16-24	1
5	172028	ROD -- connecting	1
6	001834	NUT -- hex, 5/16-24	1
7	172094	SPRING -- extension	1
8	172025	ANCHOR -- spring	1
9	172336	ANCHOR -- spring	1
10	172345	ANCHOR -- spring	1
11	197353	ROD ENDS -- female, r.h.	1
12	172094	SPRING -- extension	1
13	172094	SPRING -- extension	1
14	197353	ROD ENDS -- female, r.h.	1
15	111054	SCREW -- 10-32 x 1/2"	2
16	172029	STUD -- bearing	1
17	197356	BEARING -- needle	1
18	172051	SPACER	1
19	172423	LEVER ASSEMBLY	1
20	172028	ROD -- connecting	1
21	102215	NUT -- 5/16-24	1
22	001834	NUT -- 5/16-24	1
23	197354	ROD ENDS -- female, l.h.	1
24	014192	SCREW -- hex cap, 5/16-24 x 3/4"	2
25	172051	SPACER	1
26	197356	BEARING -- needle	1
27	172029	STUD -- bearing	1
28	042150	ROLL PIN	2
29	172052	SHAFT -- pivot	1
30	172052	SHAFT -- pivot	2
31	172036	BRACKET -- pivot	1
32	100653	SCREW -- cap, 1/4-28 x 3/4"	3

# FEEDER SECTION

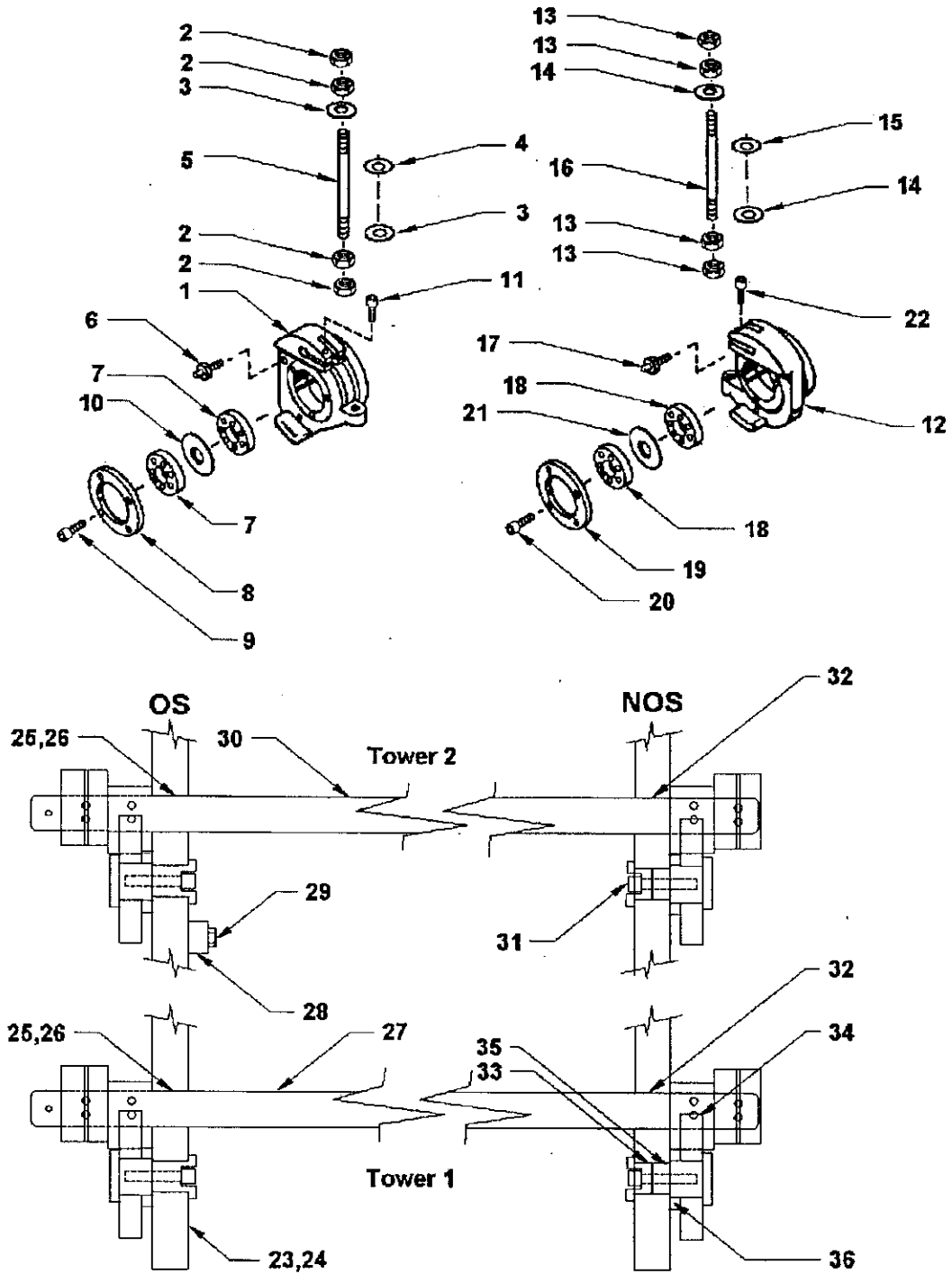


# FEEDER SECTION

## REGISTRATION ASSEMBLY

<u>FIGURE</u>	<u>PART NUMBER</u>	<u>DESCRIPTION</u>	<u>UNITS PER ASSEMBLY</u>
1	172093	SPRING -- compression	2
2	192798	WASHER -- .507 i.d., .875 o.d.	6
3	197119	BEARING -- self lubricating	4
4	001094	RETAINING RING	2
5	172032	SHAFT -- valve	1
6	172031	SHAFT -- bar	1
7	172158	NUT -- t-slot	1
8	102211	SCREW -- hex socket, 10-32 x 1/2"	1
9	190601	WASHER -- .265 i.d., .375 o.d.	1
10	172327	FILLER -- end	1
11	172157	BUTTON -- t-slot	7
12	112565	SCREW -- 10-32 x 5/8"	7
13	172162	TUBE	1
14	172255	FILLER -- rosette	5
15	172163	SPRING -- tube	1
16	172326	COVER -- rosette	1
17	172153	TUBE -- rosette	1
18	172158	NUT -- t-slot	1
19	190601	WASHER -- .265 i.d., .375 o.d.	1
20	102211	SCREW -- 10-32 x 1/2"	1
21	014327	SCREW -- 10-32 x 1/2"	1
22	172152	PLATE -- vacuum	1
23	172525	GASKET -- plate vacuum	1
24	172252	MOUNT -- rosette	1
25	172157	BUTTON -- t-slot	1
26	112565	SCREW -- 10-32 x 5/8"	1
27	172172	GUARD -- tube	1
28	001693	SCREW -- 8-32 x 1/4"	2
29	172251	BASE -- rosette	1
30	172161	ELBOW -- rosette	1
31	000666	WASHER -- lock	8
32	101999	SCREW -- 10-32 x 1/2"	3
33	172253	CARRIER -- upper	1
34	172380	VACUUM ASSEMBLY	1
35	172165	TRUNNION ASSEMBLY	1
36	014215	SCREW -- 10-32 x 3/8"	2
37	172256	CARRIER -- lower	1
38	197080	SPRING -- compression	3
39	197079	SCREW -- shoulder	3
40	101999	SCREW -- 10-32 x 1/2"	4
41	178661	SUPPORT -- carrier	4

# FEEDER SECTION



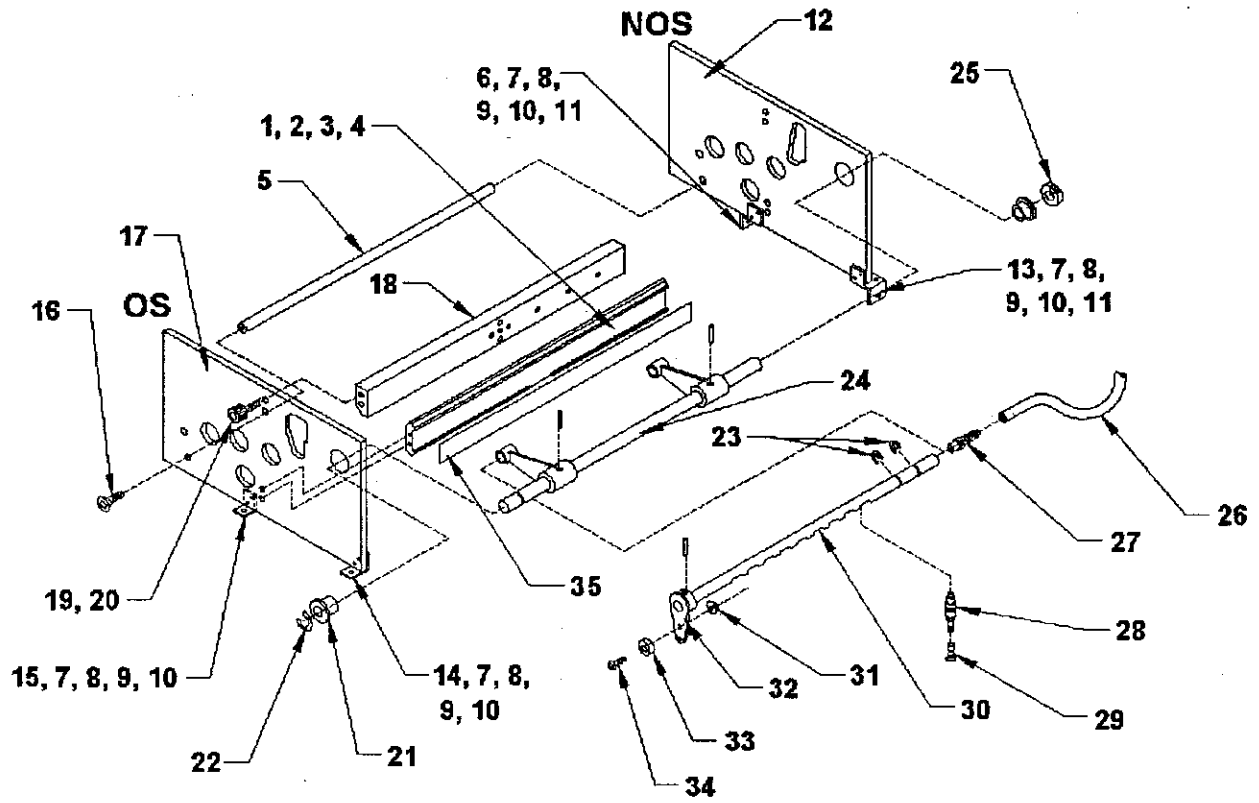


# FEEDER SECTION

## THROW ON/OFF LINKAGE

<u>FIGURE</u>	<u>PART NUMBER</u>	<u>DESCRIPTION</u>	<u>UNITS PER ASSEMBLY</u>
1	180280	ECCENTRIC HOUSING ASSEMBLY -- l.h.	2
2	001834	NUT -- 5/16-24	8
3	014727	WASHER -- 3/8" i.d., 3/4" o.d., 1/32"	4
4	196927	WASHER -- belleville	32
5	178359	SCREW -- stop	2
6	197199	FITTING -- grease	2
7	102049	BALL BEARING	4
8	180205	END PLATE -- bearing	2
9	100334	SCREW -- 10-32 x 3/4"	8
10	196945	WASHER -- spacer	10
11	014219	SCREW	2
12	180279	ECCENTRIC HOUSING ASSEMBLY -- r.h.	2
13	001834	NUT -- 5/16-24	8
14	014727	WASHER -- 3/8" i.d., 3/4" o.d., 1/32"	4
15	196927	WASHER -- belleville	32
16	178359	SCREW -- stop	2
17	197199	FITTING -- grease	2
18	102049	BALL BEARING	4
19	180205	END PLATE -- bearing	2
20	100334	SCREW -- 10-32 x 3/4"	8
21	196945	WASHER -- spacer	10
22	014219	SCREW	2
23	197119	BEARING -- self lubricating	4
24	194801	BEARING	2
25	102122	SCREW -- cap, button head	6
26	172983	HOUSING	6
27	173024	CROSS SHAFT ASSEMBLY -- tower one	1
28	173396	STRAP	1
29	102213	SCREW	1
30	173023	CROSS SHAFT ASSEMBLY -- tower two	1
31	101626	SCREW	4
32	197092	BEARING -- sleeve, oilite	2
33	179936	BUSHING	4
34	180019	LEVER	4
35	180020	STUD	4
36	197063	SPACER	4

# FEEDER SECTION



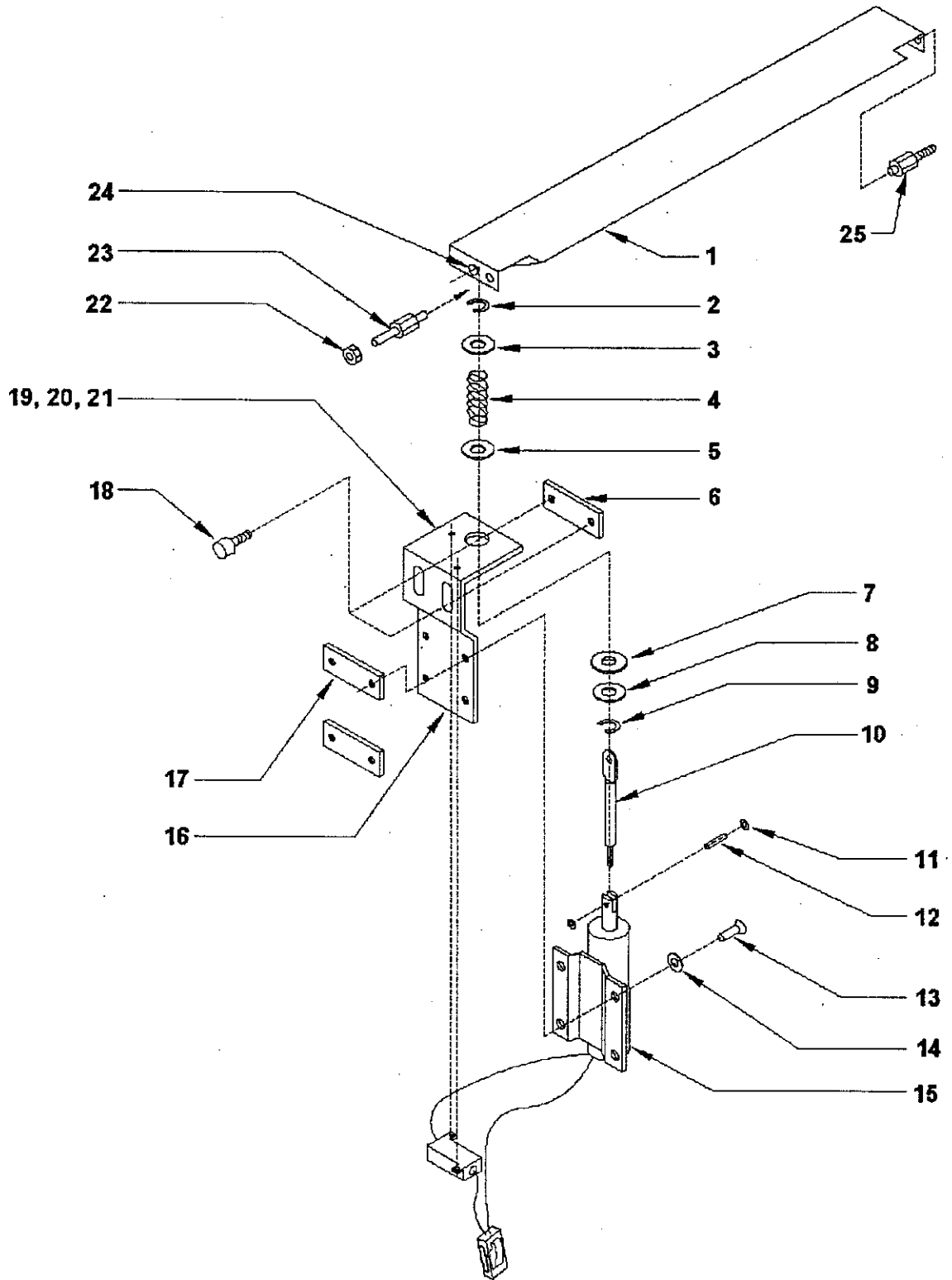
# FEEDER SECTION

## HEADER TUBE ASSEMBLY

<u>FIGURE</u>	<u>PART NUMBER</u>	<u>DESCRIPTION</u>	<u>UNITS PER ASSEMBLY</u>
1	172229	BAR -- feeder tie	1
2	190129	SCREW -- 5/16-18 x 1/4"	2
3	197054	BOLT -- shoulder, 5/16-18 x 3/8"	2
4	001750	WASHER -- .338 i.d., .562 o.d.	2
5	178720	BAR -- lower tie	1
6	172357	BRACKET -- feeder mounting	1
7	102220	SCREW -- shoulder bolt, 3/8" x 3/4"	1
8	100653	SCREW -- cap, 1/4-28 x 3/4"	1
9	001731	WASHER -- lock, .250 i.d., .485 o.d.	1
10	150086	NUT -- lock, 5/16-18	2
11	190129	SCREW -- 5/16-18 x 1/4"	1
12	172268	FEEDER FRAME -- nos, (non-saleable)	1
13	172358	BRACKET -- feeder mounting	1
14	172355	BRACKET -- feeder mounting	1
15	172354	BRACKET -- feeder mounting	1
16	102130	SCREW -- 3/8-24 x 1"	2
17	172267	FEEDER FRAME -- os, (non-saleable)	1
18	172210	HANGER ASSEMBLY	1
19	100860	SCREW -- 3/8-24 x 9/16"	4
20	001763	WASHER -- lock, .385 i.d., .673 o.d.	4
21	197148	BUSHING -- oilite	2
22	001073	RETAINING RING	1
23	014510	"E" RING	2
24	178607	SHAFT ASSEMBLY	1
25	197160	COLLAR SHAFT	1
26	178403	TUBING -- clear, 3'8" i.d., 5/8" o.d., 17" (sold 15.5')	1
27	197182	BARB -- male connector	1
28	178881	SUCKER TUBE	11
29	178932	FEED SUCKER CUP	11
30	173368	HEADER TUBE ASSEMBLY	1
31	150085	NUT -- lock, 1/4-28	1
32	178603*	LEVER -- feed forward assembly	1
33	197451	TRACK -- roller, .875	1
34	102163	SCREW -- cap, 1/4-28 x .437	1
35	172967	DECAL	1

\* DONT ORDER ALONE

# FEEDER SECTION

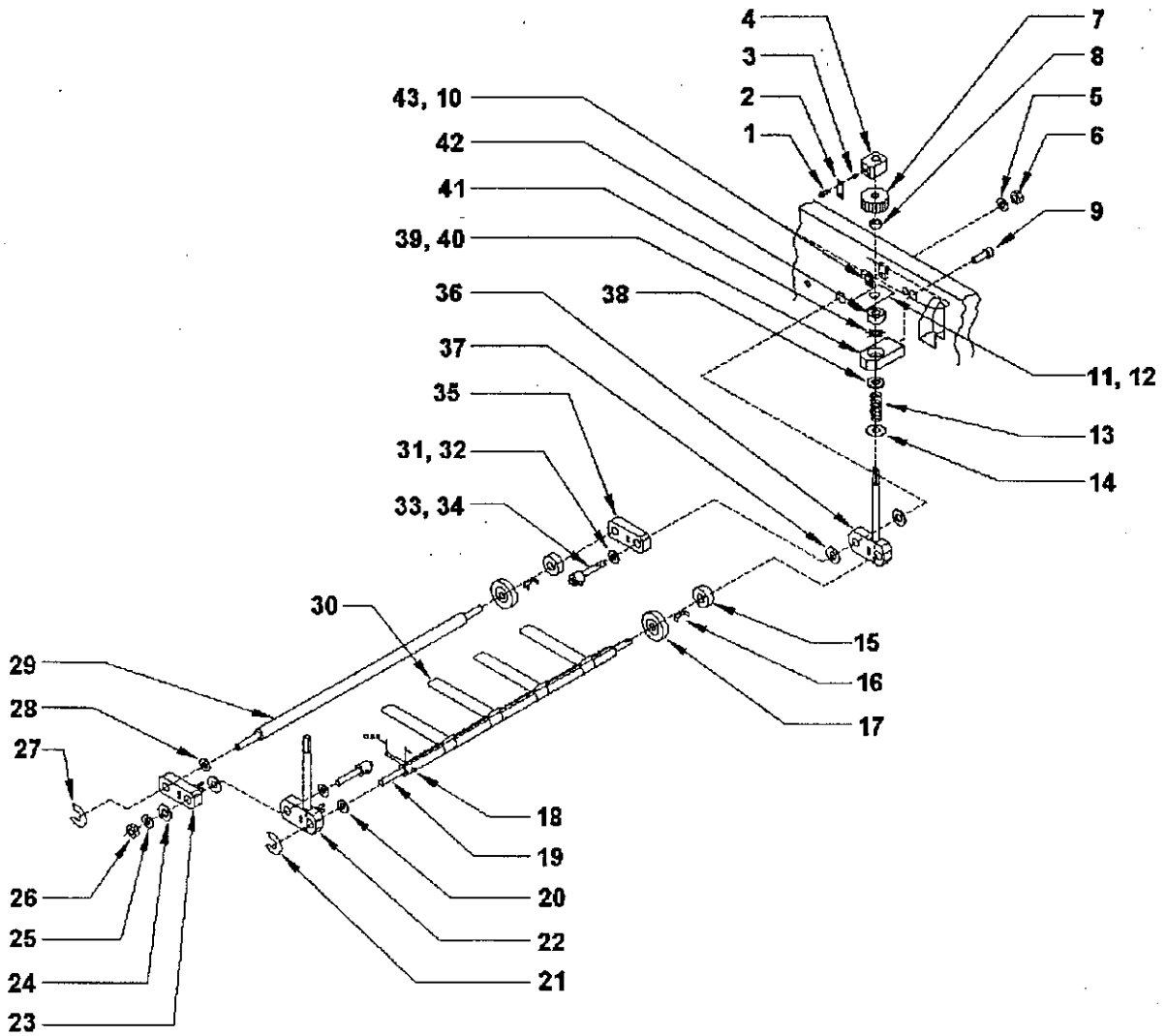


# FEEDER SECTION

## DOUBLES DIVERT ASSEMBLY

<u>FIGURE</u>	<u>PART NUMBER</u>	<u>DESCRIPTION</u>	<u>UNITS PER ASSEMBLY</u>
1	178728	PLATE ASSEMBLY -- diverter	1
2	001060	RETAINING RING	1
3	021150	WASHER -- .254 i.d., .625 o.d.	1
4	192035	SPRING	1
5	021150	WASHER -- .254 i.d., .625 o.d.	1
6	197086	PLATE -- nut	1
7	197143	WASHER -- rubber	1
8	021150	WASHER -- .254 i.d., .625 o.d.	1
9	001060	RETAINING RING	1
10	178730	LINK -- solenoid	1
11	014515	RING -- plastic	2
12	192034	PIN -- solenoid	1
13	100529	SCREW -- 4/40 x 3/8"	4
14	192795	WASHER -- lock	4
15	180980	SOLENOID ASSEMBLY -- doubles divert	1
16	178731	BRACKET -- solenoid support	1
17	197345	PLATE -- nut	2
18	100653	SCREW -- cap, 1/4-28 x 3/4"	2
19	100137	NUT -- hex, 2-56	2
20	100138	WASHER -- lock	2
21	110002	SCREW -- 2-56 x 5/16"	2
22	150050	NUT -- 1/4-28	1
23	197088	STAND OFF -- pivot, os	1
24	014504	SNAP RING	1
25	197087	STUD	1

# FEEDER SECTION

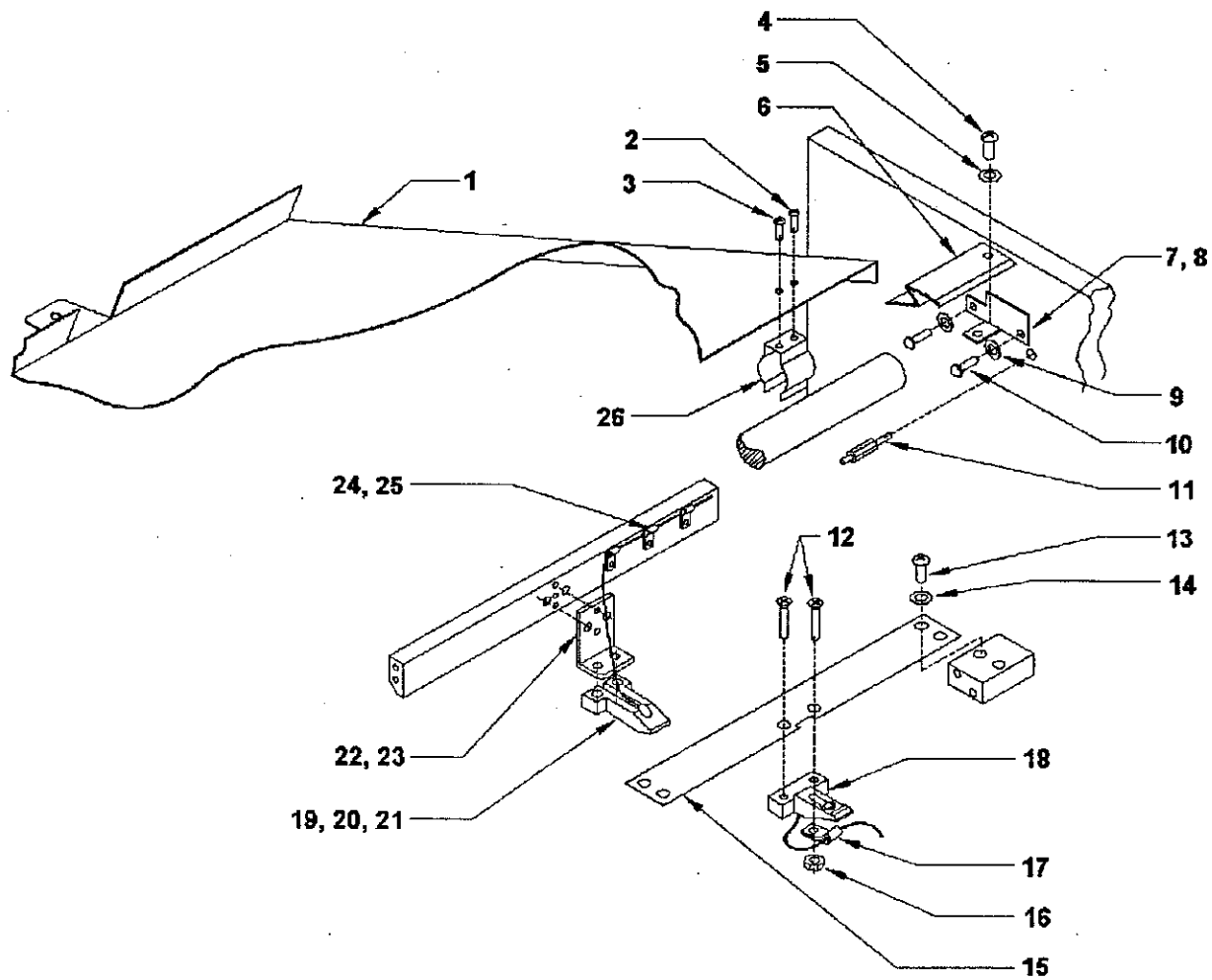


# FEEDER SECTION

## PULLOUT ROLLERS

<u>FIGURE</u>	<u>PART NUMBER</u>	<u>DESCRIPTION</u>	<u>UNITS PER ASSEMBLY</u>
1	001683	SCREW -- 6-32 x 5/16"	2
2	180690	SPRING -- detent	2
3	190130	SCREW -- set, nylok, 6-32 x 1/8"	2
4	180691	HOLDER -- spring	2
5	001710	WASHER -- lock, .320 i.d., .570 o.d.	1
6	001840	NUT -- 10-32	1
7	180688	KNOB -- upper roller	2
8	180687	SPACER -- upper roller	2
9	100653	SCREW -- cap, 1/4-28 x 3/4"	2
10	001690	SCREW -- 10-32 x 5/16"	2
11	172737	LABEL -- feed roll, nos	1
12	172736	LABEL -- feed roll, os	1
13	197011	SPRING -- compression	2
14	021203	WASHER -- .254 i.d., .500 o.d.	2
15	197158	BEARING -- spherical	4
16	172246	CLIP -- bearing retainer	4
17	<del>172826</del> 17376	ROLLER ASSEMBLY	4
18	001992	PIN -- roll	1
19	172207	ROLLER SUPPORT ASSEMBLY	1
20	100998	WASHER -- .195 i.d., .438 o.d.	1
21	014504	RING -- snap	1
22	172203	LEVER SHAFT SUPPORT ASSEMBLY -- os	1
23	172539	LEVER ASSEMBLY	1
24	192258	WASHER	2
25	001710	WASHER -- lock, .320 i.d., .570 o.d.	1
26	001840	NUT AND WASHER -- 5/16-18	1
27	014504	RING -- snap	1
28	100998	WASHER -- .195 i.d., .438 o.d.	1
29	172123	SHAFT -- roller support	1
30	172220	GUIDE STRAP	4
31	001721	WASHER -- .380 i.d., .625 o.d.	2
32	172202	STUD GUIDE	2
33	003560	COLLAR	2
34	014372	SCREW -- set, 10-32 x 1/4"	2
35	172513	LEVER -- shaft support	2
36	172204	LEVER SHAFT SUPPORT ASSEMBLY -- nos	1
37	192258	WASHER -- .381 i.d., .562 o.d.	2
38	197157	BEARING -- thrust	1
39	172209	SUPPORT ARM -- os	1
40	172208	SUPPORT ARM -- nos	1
41	197219	RETAINING RING	1
42	197159	BEARING -- spherical	2
43	079764	CLAMP -- cable, plastic	2
44	001690	SCREW -- 10-32 x 5/16"	2

# FEEDER SECTION





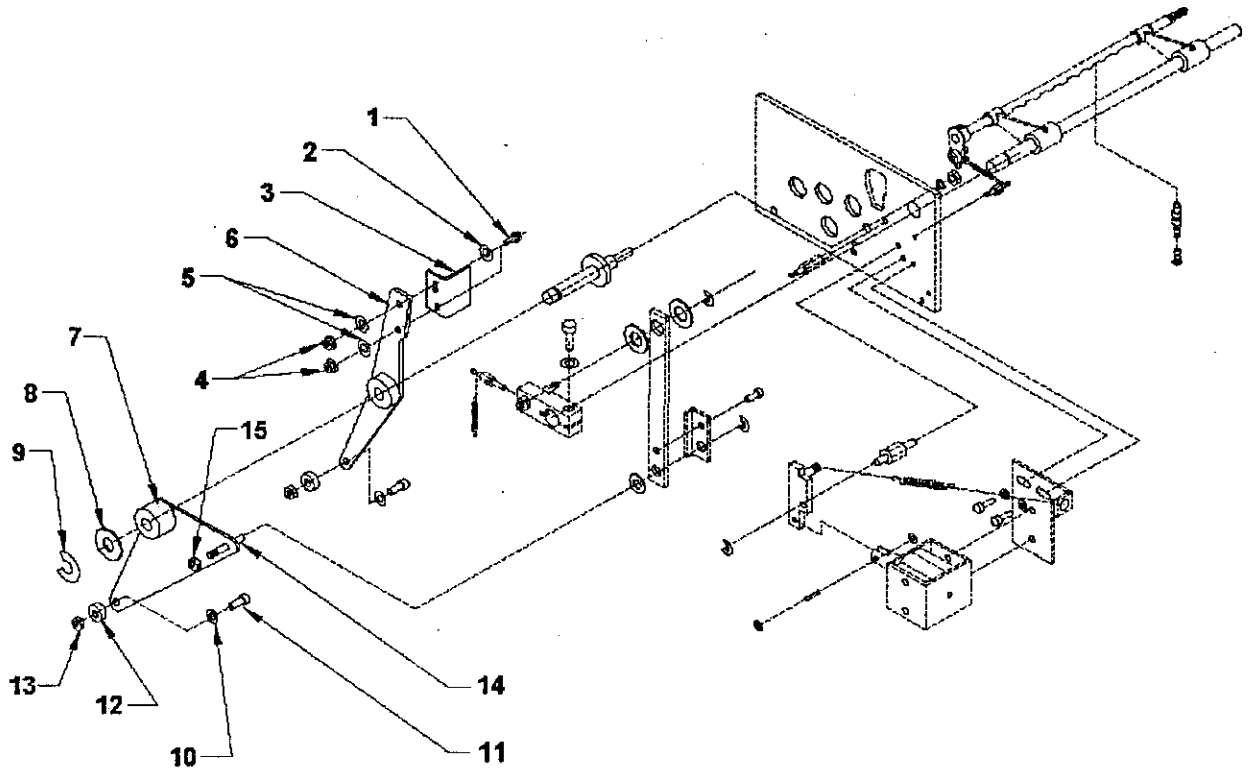
# FEEDER SECTION

## DOUBLES SENSOR

<u>FIGURE</u>	<u>PART NUMBER</u>	<u>DESCRIPTION</u>	<u>UNITS PER ASSEMBLY</u>
1	172219	PAPER TRAY	1
2	112515	SCREW -- 4-40 x 5/16"	4
3	100115	NUT	4
4	101999	SCREW -- 10-32 x 1/2"	2
5	021861	WASHER -- .196 i.d., .437 o.d.	2
6	180982	FILLER -- diverter gap	1
7	172919	BRACKET -- os	1
8	172920	BRACKET -- nos	1
9	003855	WASHER -- .256 i.d., .500 o.d.	4
10	101626	SCREW -- 1/4-28 x 5/8"	4
11	197087	PLATE -- pivot, os	1
12	014326	SCREW -- 10-32 x 7/8"	2
13	101999	SCREW -- 10-32 x 1/2"	4
14	021861	WASHER -- .196 i.d., .437 o.d.	4
15	172119	GUIDE -- lower feeder paper	1
16	001804	NUT -- 10-32	1
17	250356	CLAMP -- cable	1
18	172146	SENSOR ASSEMBLY	1
19	021861	WASHER -- .196 i.d., .437 o.d.	2
20	101999	SCREW -- 10-32 x 1/2"	2
21	172147	IR EMITTER ASSEMBLY	1
22	101999	SCREW -- 10-32 x 1/2"	2
23	172135	BRACKET -- ir emitter assembly	1
24	101999	SCREW -- 10-32 x 1/2"	3
25	079764	CLAMP -- cable, plastic	3
26	172367	CLIP -- spring	2

# FEEDER SECTION

---

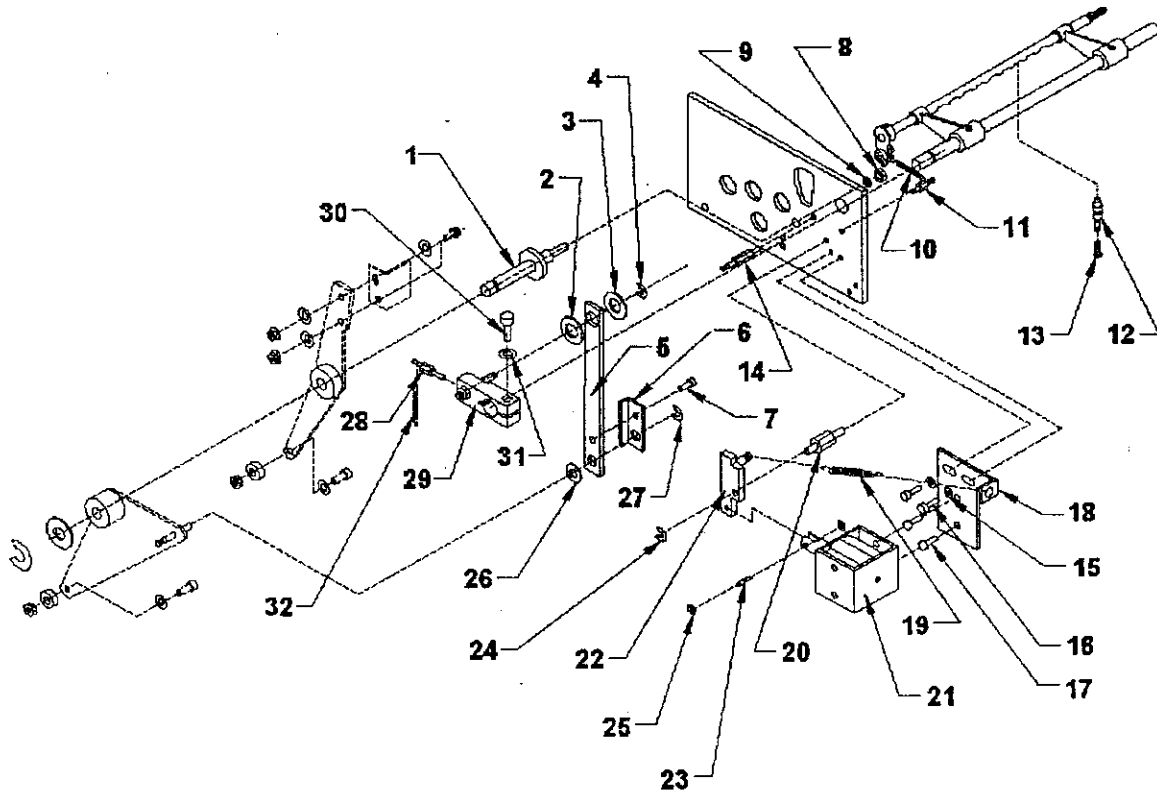


# FEEDER SECTION

## FEED LINK ASSEMBLY

<u>FIGURE</u>	<u>PART NUMBER</u>	<u>DESCRIPTION</u>	<u>UNITS PER ASSEMBLY</u>
1	173448	STUD -- eccentric, feed forward	2
2	014703	WASHER -- .384 i.d., .562 o.d.	1
3	173447	BRACKET -- lever, feed forward	1
4	001818	NUT -- 1/4-28	2
5	192797	WASHER -- .263 i.d., .489 o.d.	2
6	173446	LEVER ASSEMBLY	1
7	178841	LEVER ASSEMBLY	1
8	197127	WASHER -- thrust	1
9	001094	RETAINING RING	1
10	001766	WASHER -- .323 i.d., .500 o.d.	2
11	102163	SCREW -- button head, 1/4-28 x .437	2
12	197001	TRACK ROLLER	2
13	150085	NUT -- lock, 1/4-28	2
14	173674	PIN -- feed raise	1
15	014807	NUT	1

# FEEDER SECTION

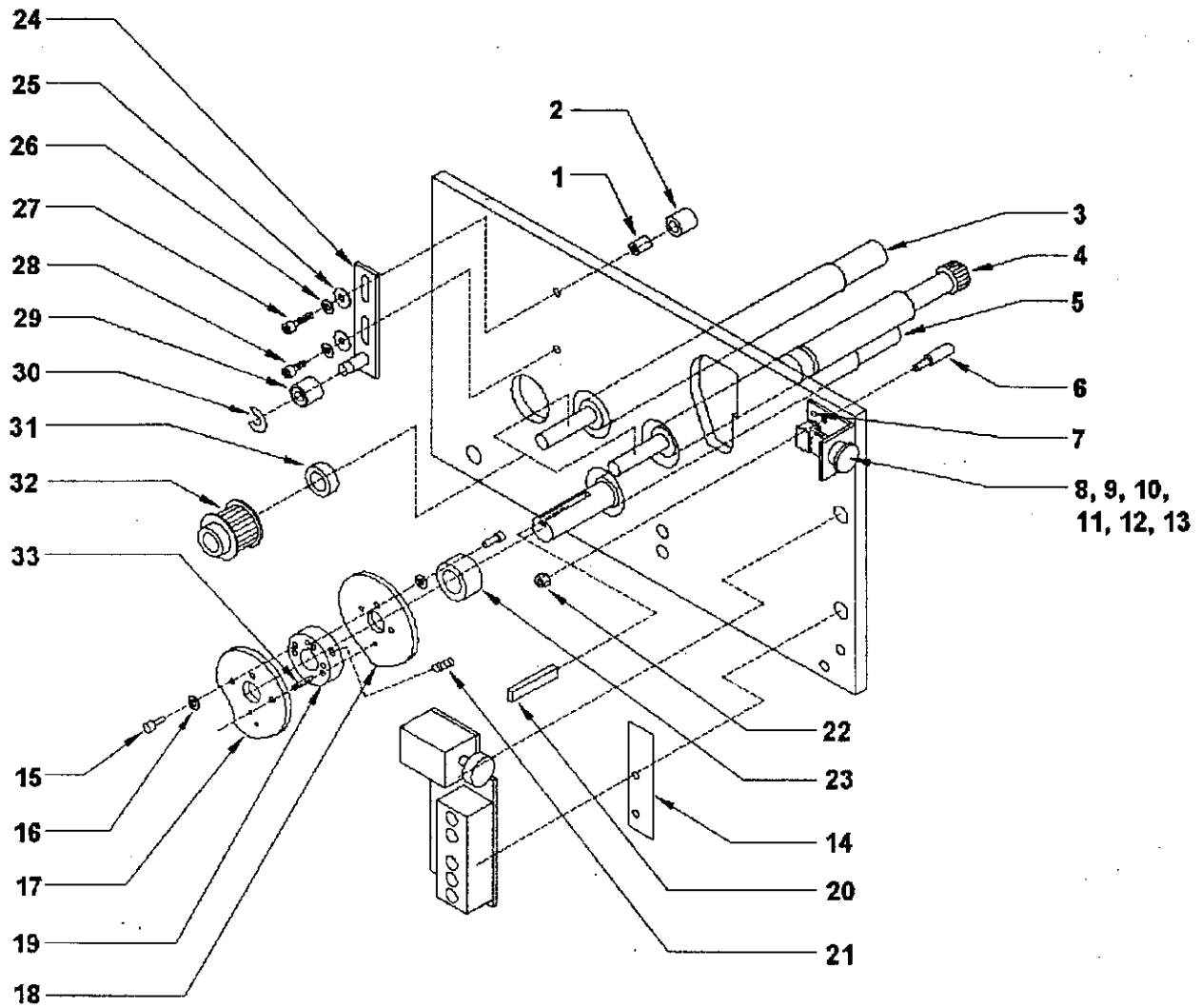


# FEEDER SECTION

## FEED SOLENOID

<u>FIGURE</u>	<u>PART NUMBER</u>	<u>DESCRIPTION</u>	<u>UNITS PER ASSEMBLY</u>
1	172148	SHAFT -- follower	1
2	197126	WASHER -- thrust, .315 i.d., .750 o.d.	1
3	001750	WASHER -- .338 i.d., .562 o.d.	1
4	001095	RETAINING RING	1
5	178835	LINK ASSEMBLY	1
6	178962	NUT PLATE ASSEMBLY	1
7	001589	SCREW -- Phillips, 8/32 x 1/4"	1
8	001842	NUT -- 3/8-16	1
9	001763	WASHER -- lock, .385 i.d., .673 o.d.	1
10	197180	SPRING -- extension	1
11	196901	PIN -- spring anchor	1
12	178881	SUCKER TUBE	11
13	178932	FEED -- sucker cup	11
14	178847	STUD -- spring anchor	1
15	021203	WASHER -- .254 i.d., .500 o.d.	2
16	102122	SCREW -- 1/4-28 x 1/2"	2
17	014187	SCREW -- Phillips, 8/32 x 3/8"	2
18	178420	PLATE -- solenoid	1
19	197140	SPRING -- extension	1
20	172921	STAND OFF	1
21	253375	SOLENOID	1
22	178418	PAWL ASSEMBLY -- stop	1
23	190713	PIN	1
24	001049	RETAINING RING	1
25	014515	RING -- plastic	2
26	197126	WASHER -- thrust, .315 i.d., .750 o.d.	1
27	001095	RETAINING RING	1
28	196901	PIN -- spring anchor	1
29	173456	LEVER ASSEMBLY	1
30	014157	SCREW -- 1/4-28 x 1 1/4"	1
31	001731	WASHER -- lock, .250 i.d., .485 o.d.	1
32	197147	SPRING -- extension	1

# FEEDER SECTION

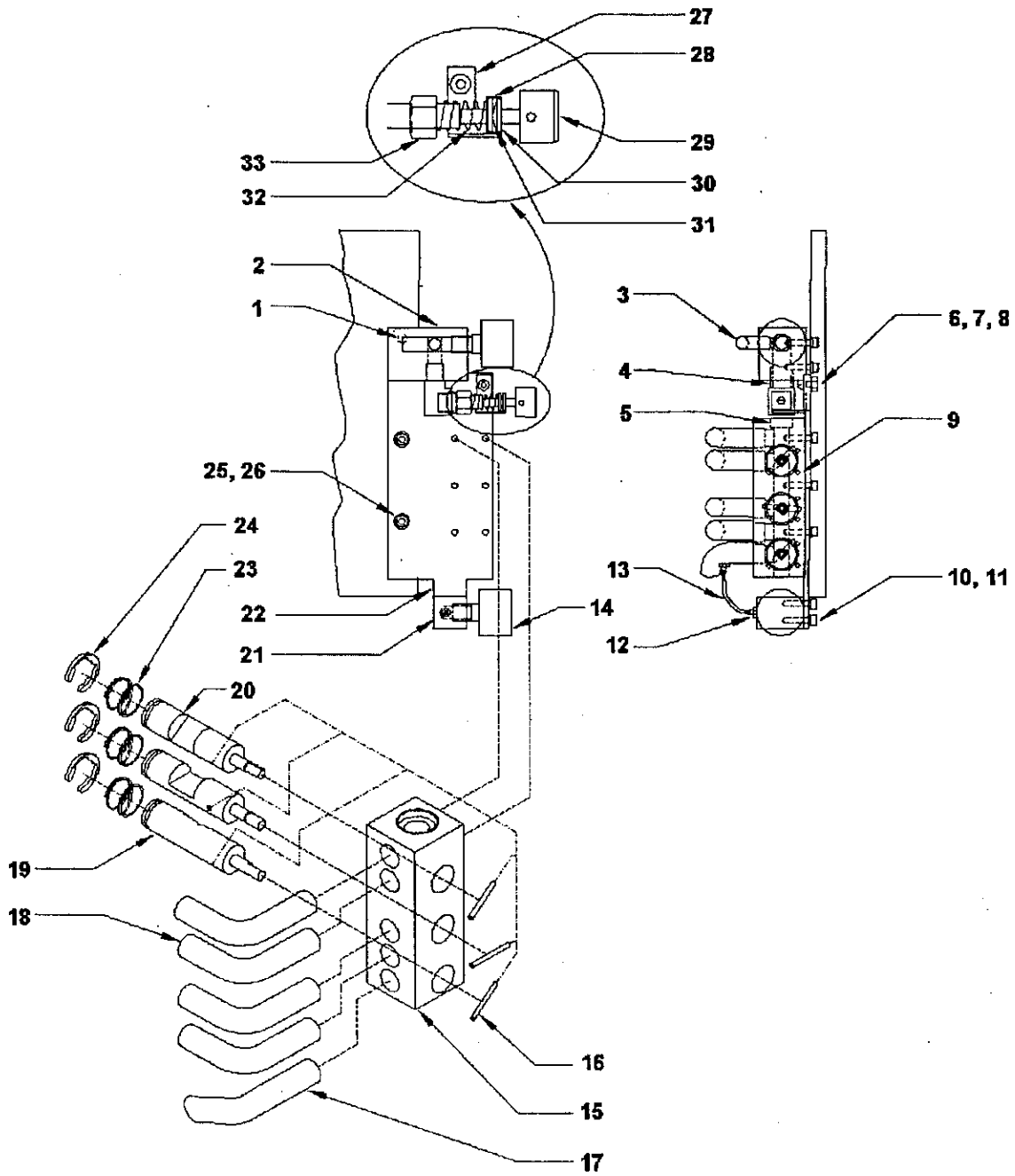


# FEEDER SECTION

## EMERGENCY STOP SWITCH ASSEMBLY

<u>FIGURE</u>	<u>PART NUMBER</u>	<u>DESCRIPTION</u>	<u>UNITS PER ASSEMBLY</u>
1	172174	TUBING -- vinyl, .25" i.d., .37" o.d., 3/8" (sold 3')	1
2	178402	TUBING -- natural, .375 i.d., .500 o.d., 3/8" (sold 3')	1
3	172149	SHAFT -- doubles diverter	1
4	172145	ROLLER GEAR ASSEMBLY	1
5	178723	SHAFT -- cam	1
6	173107	STUD	1
7	102122	SCREW -- cap, 1/4-28 x 1/2"	1
8	253474	SWITCH -- push button activator	1
9	253475	SWITCH -- toggle	1
10	178339	BRACKET -- stop switch	1
11	101626	SCREW -- 1/4-28 x 5/8"	2
12	001731	WASHER -- lock, .250 i.d., .485 o.d.	4
13	102122	SCREW -- cap, 1/4-28 x 1/2"	1
14	172778	SPACER	1
15	101626	SCREW -- 1/4-28 x 5/8"	6
16	001731	WASHER -- lock, .250 i.d., .485 o.d.	6
17	178449	CAM -- feed raise	1
18	178450	CAM -- feed forward	1
19	173457	HEADER -- hub assembly	1
20	197178	KEY	1
21	001573	SCREW -- set, 1/4-28 x 5/16"	2
22	001832	NUT -- 1/4-28	1
23	178805	IDLER -- take up	1
24	178801	PLATE ASSEMBLY	1
25	191384	WASHER -- .260 i.d., .750 o.d.	2
26	001731	WASHER -- lock, .250 i.d., .485 o.d.	2
27	014157	SCREW -- hex, 1/4-28 x 1 1/4"	1
28	101626	SCREW -- 1/4-28 x 5/8"	1
29	178804	IDLER -- take up	1
30	001094	RETAINING RING	1
31	190394	SPACER	2
32	178806	PULLEY	2
33	102268	PIN -- dowel, .1877/.1875	

# FEEDER SECTION



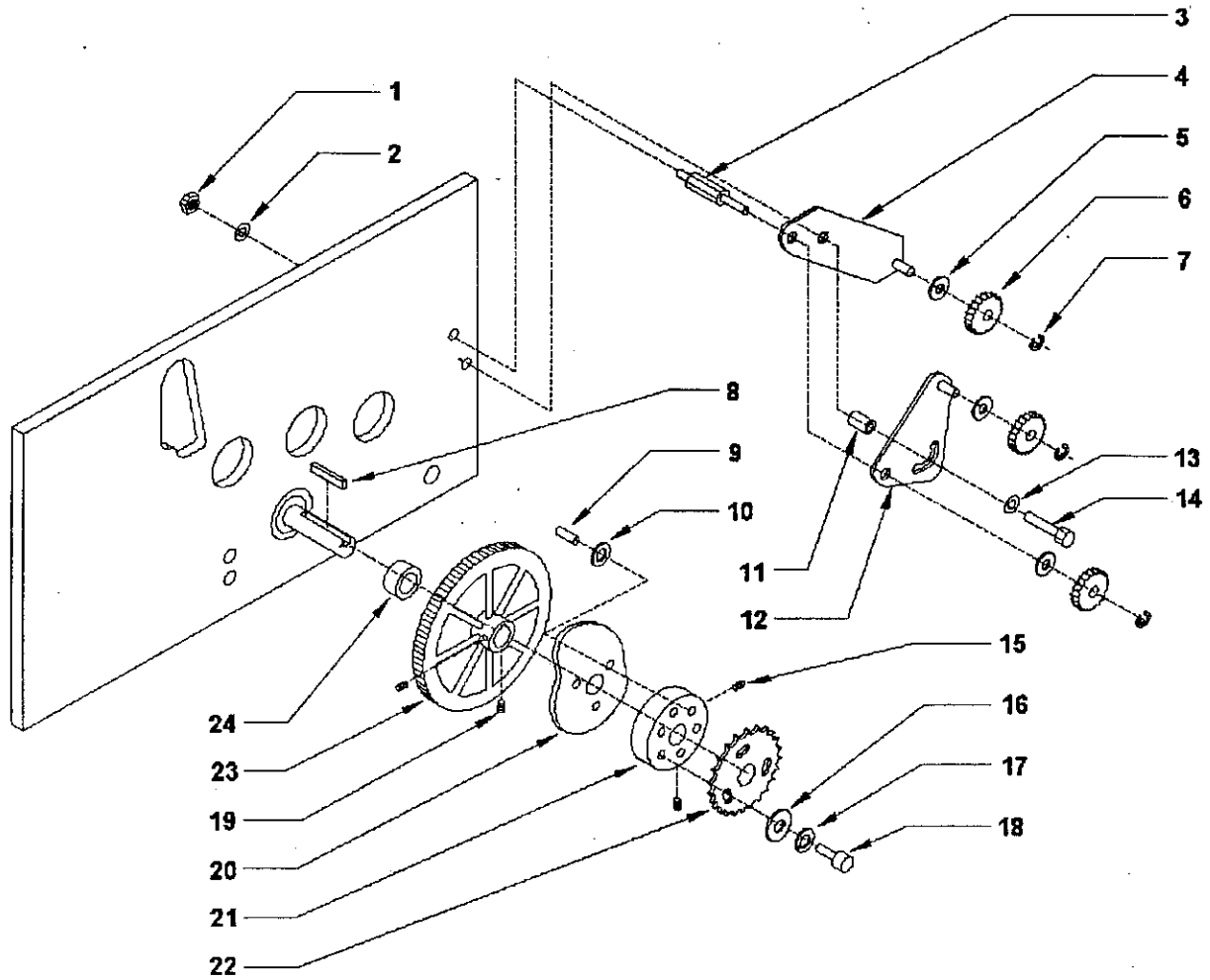


# FEEDER SECTION

## AIR AND VACUUM CONTROL VALVES

<u>FIGURE</u>	<u>PART NUMBER</u>	<u>DESCRIPTION</u>	<u>UNITS PER ASSEMBLY</u>
1	014327	SCREW -- 10-32 x 1/2"	1
2	180960	MOUNT -- gage registration	1
3	180780	ELBOW -- 90 degrees x 3/8"	1
4	180778	ELBOW -- 90 degrees, street	1
5	180835	PLUG -- loctite	1
6	101999	SCREW -- 10-32 x 1/2"	1
7	021861	WASHER -- .196 i.d., .437 o.d.	1
8	150083	NUT -- lock, 10-32	1
9	032868	PIN -- roll	6
10	014158	SCREW -- 10-32 x 1/2"	9
11	000666	WASHER -- lock, .198 i.d., .334 o.d.	9
12	179815	BARB -- 10-32 x 1/16"	1
13	178407	TUBING -- clear, .063 i.d., .125 o.d., 3" (sold 31')	1
14	180961	GAGE -- vacuum	2
15	180772	BODY -- valve	1
16	101876	PIN -- roll	3
17	180776	ELBOW ASSEMBLY -- loctite, 90 degree	1
18	180775	ELBOW -- loctite, 90 degrees x 5/8"	4
19	180774	SPOOL -- feeder valve	1
20	180773	SPOOL -- valve	2
21	180959	MOUNT -- gage feeder	1
22	180782	PLATE -- valve	1
23	197326	SPRING -- compression	3
24	102184	RETAINING RING -- black	3
25	101626	SCREW -- 1/4-28 x 5/8"	2
26	001731	WASHER -- lock, .250 i.d., .485 o.d.	2
27	180783	GUIDE -- nut	1
28	172812	RETAINER -- nut	1
29	180472	KNOB	4
30	197387	NUT -- square	2
31	001726	WASHER -- speed clip, .258 i.d., .438 o.d.	1
32	178775	SPRING -- compression	1
33	180771	RELEASE VALVE -- vacuum	1

# FEEDER SECTION

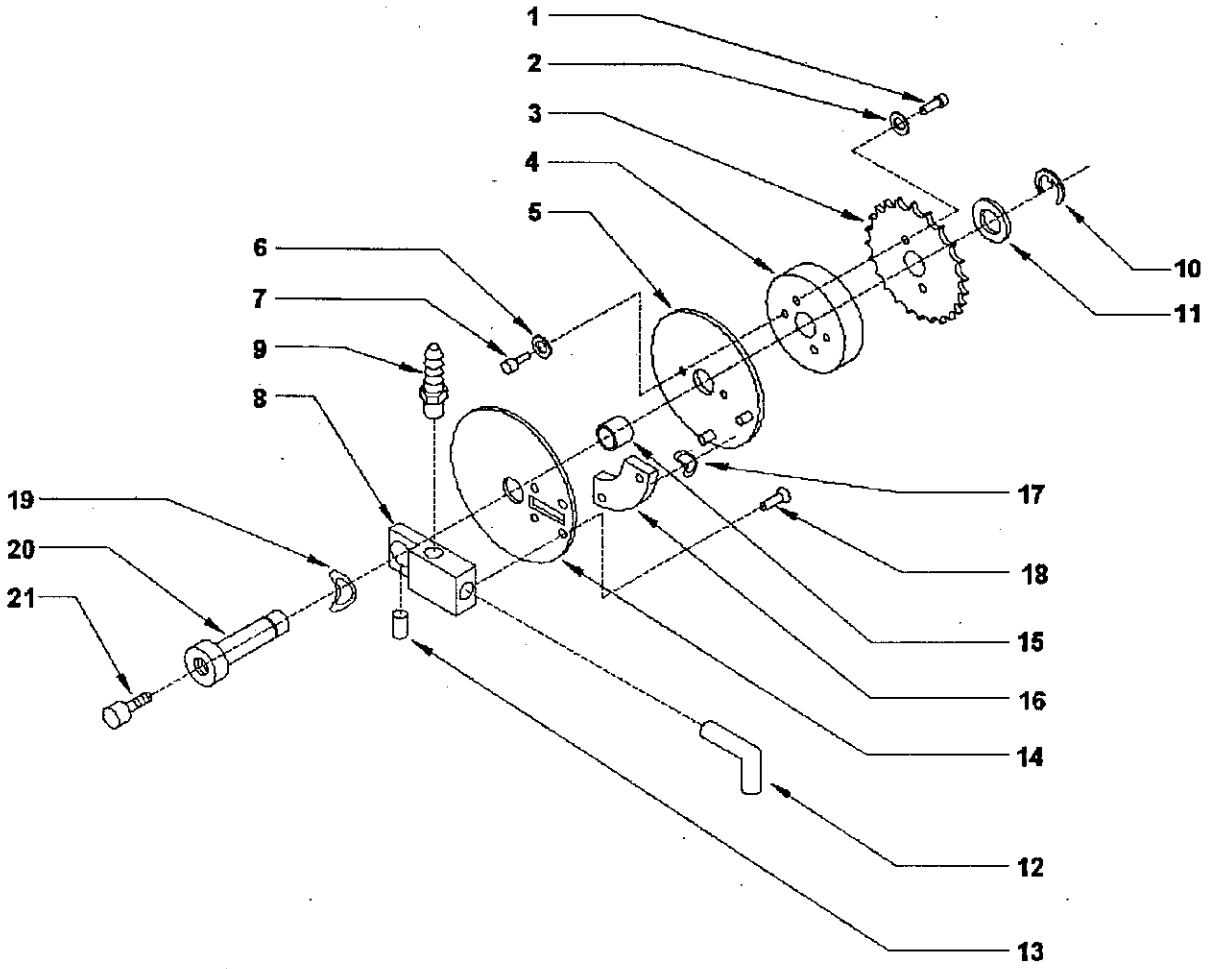


# FEEDER SECTION

## FEEDER DRIVE

<u>FIGURE</u>	<u>PART NUMBER</u>	<u>DESCRIPTION</u>	<u>UNITS PER ASSEMBLY</u>
1	190254	NUT -- hex, special, sub.	1
2	001763	WASHER -- lock, .385 i.d., .673 o.d.	1
3	178813	STUD -- pivot	1
4	178816	BRACKET ASSEMBLY -- idler	1
5	197076	WASHER -- thrust	3
6	178814	SPROCKET -- idler	3
7	001094	RETAINING RING	3
8	197134	KEY -- timing pulley	1
9	111074	SCREW -- 1/4-28 x 3/4"	3
10	003855	WASHER -- .256 i.d., .500 o.d.	3
11	178812	SPACER	1
12	178809	MOUNTING PLATE ASSEMBLY	1
13	001771	WASHER -- .385 i.d., .875 o.d.	1
14	102267	SCREW -- 3/8-24 x 2 1/2"	1
15	001573	SCREW -- 1/4-28 x 5/16"	2
16	191797	WASHER -- .265 i.d., .625 o.d.	3
17	001731	WASHER -- lock, .250 i.d., .487 o.d.	3
18	100653	SCREW -- cap, 1/4-28 x 3/4"	3
19	006825	SCREW -- set, 1/4-20 x 3/8"	2
20	180529	CAM -- power paper feeler	1
21	172867	HUB -- drive sprocket	1
22	178682	SPROCKET -- feeder	1
23	173454	GEAR -- drive	1
24	197174	SPACER	1

# FEEDER SECTION

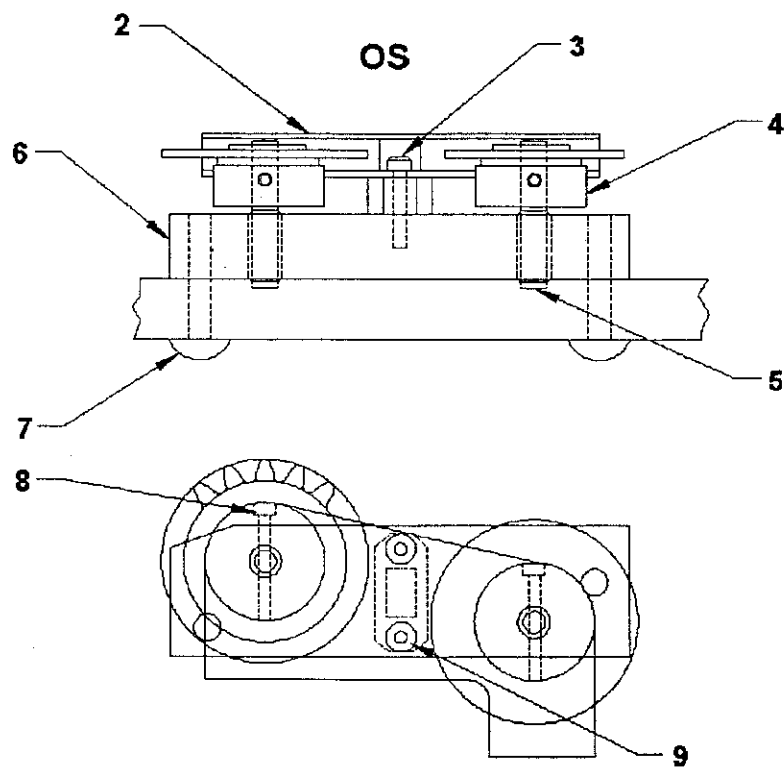
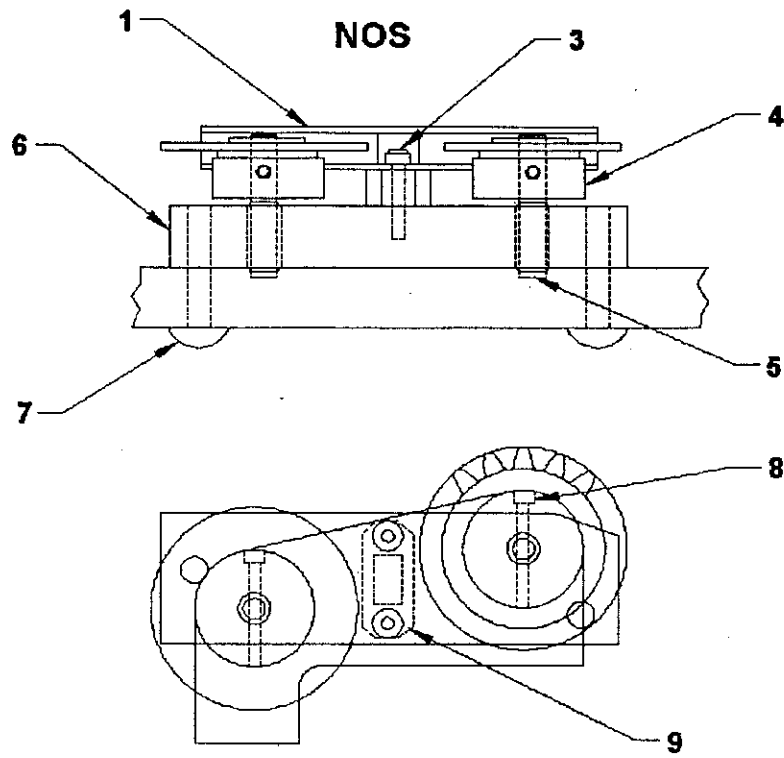


# FEEDER SECTION

## VACUUM TIMING SPROCKET

<u>FIGURE</u>	<u>PART NUMBER</u>	<u>DESCRIPTION</u>	<u>UNITS PER ASSEMBLY</u>
1	101626	SCREW -- 1/4-28 x 5/8"	2
2	001731	WASHER -- lock, .250 i.d., .485 o.d.	2
3	178678	SPROCKET -- vacuum timing	1
4	178676	SPACER ASSEMBLY	1
5	180840	DISC ASSEMBLY -- port	1
6	001731	WASHER -- lock, .250 i.d., .485 o.d.	2
7	100339	SCREW -- cap, 1/4-28 x 3/8"	2
8	180794	MANIFOLD VALVE	1
9	197182	BARB -- male connector	1
10	001073	RETAINING RING	1
11	197078	WASHER -- thrust, 3/4" i.d., 1 1/4" o.d.	1
12	180775	ELBOW -- 90 degrees x 5/8"	1
13	001573	SCREW -- 1/4-28 x 5/16"	1
14	180793	DISK -- port	1
15	197337	BEARING -- sleeve	1
16	180792	PLATE -- timing	1
17	197338	WASHER -- curved, spring	1
18	014384	SCREW -- Phillips, 8-32 x 3/8"	4
19	197077	WASHER -- curved, spring	1
20	178670	SHAFT -- vacuum idler	1
21	111099	SCREW -- 3/8-24 x 7/8"	1

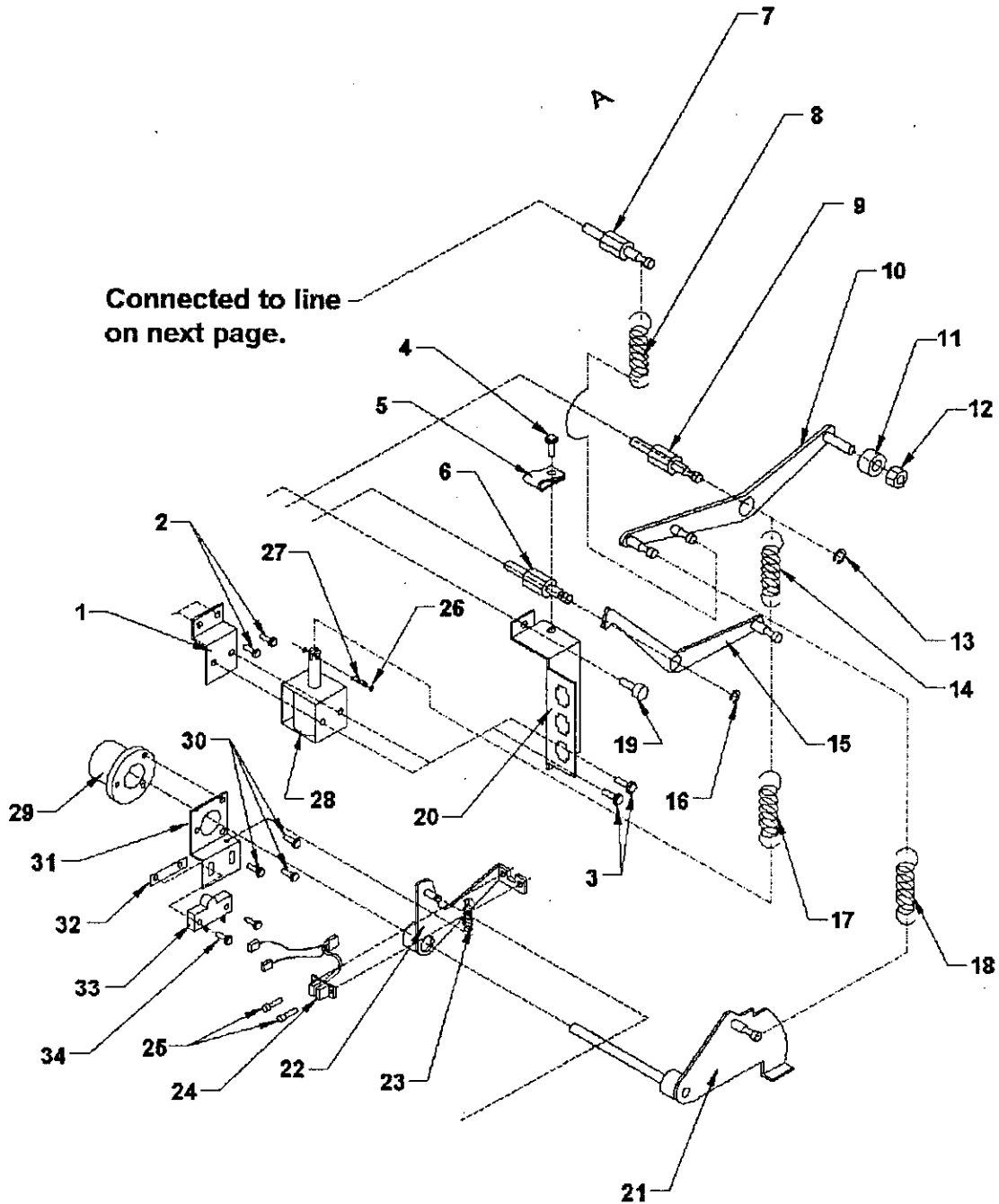
# FEEDER SECTION



## SPROCKET ASSEMBLY

<u>FIGURE</u>	<u>PART NUMBER</u>	<u>DESCRIPTION</u>	<u>UNITS PER ASSEMBLY</u>
1	180635	GUARD ASSEMBLY -- nos	1
2	180613	GUARD ASSEMBLY -- os	1
3	101676	SCREW -- 10-24 x 3/4"	4
4	180908	SPROCKET ASSEMBLY	4
5	001048	RETAINING RING	8
6	180910	BLOCK -- support	2
7	102186	SCREW -- 3/8-24 x 1"	4
8	000024	PIN -- taper	4
9	180626	SPACER -- chain guard	2

# FEEDER SECTION



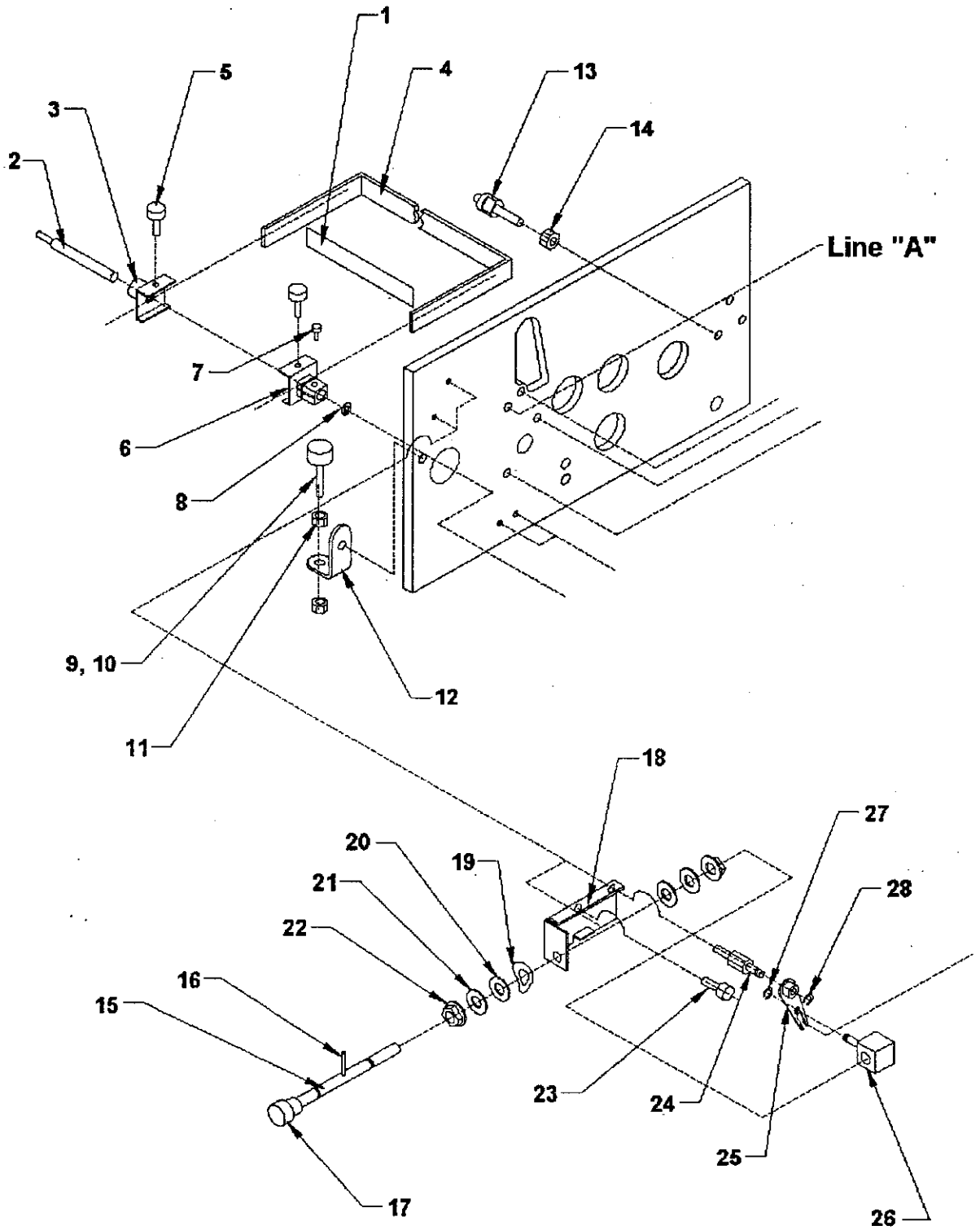


# FEEDER SECTION

## BAIL BAR SENSOR ASSEMBLY

<u>FIGURE</u>	<u>PART NUMBER</u>	<u>DESCRIPTION</u>	<u>UNITS PER ASSEMBLY</u>
1	178907	BRACKET -- solenoid	1
2	014162	SCREW -- 1/4-28 x 1/2"	2
3	001693	SCREW -- 8-32 x 1/4"	2
4	001220	SCREW -- 10-32 x 3/8"	1
5	250203	CLAMP -- cable	1
6	178906	STUD -- pivot	1
7	197175	STUD -- spring	1
8	193035	SPRING	1
9	178903	STUD -- pivot	1
10	178901	LEVER ASSEMBLY -- cam follower	1
11	197001	TRACK -- roller	1
12	150084	NUT -- lock, 1/4-20	1
13	001080	RETAINING RING	1
14	192182	SPRING -- extension	1
15	178904	LEVER ASSEMBLY	
16	001060	RETAINING RING	1
17	197166	SPRING -- extension	1
18	073325	SPRING	1
19	014195	SCREW -- cap, 1/4-20 x 5/8"	1
20	172898	BRACKET -- bail bar connector	1
21	173461	LEVER ASSEMBLY -- height control	1
22	180532	LEVER ASSEMBLY -- optical sw.	1
23	016289	SPRING -- lever, r.h.	1
24	172995	HARNESS -- feeder interconnect	1
25	110113	SCREW	2
26	014515	RING -- plastic	2
27	190713	PIN	1
28	253375	SOLENOID	1
29	178908	BRACKET HOUSING ASSEMBLY	1
30	101999	SCREW	3
31	180987	BRACKET -- switch mounting	1
32	190731	PLATE -- nut	1
33	253822	SWITCH	1
34	001587	SCREW	2

# FEEDER SECTION

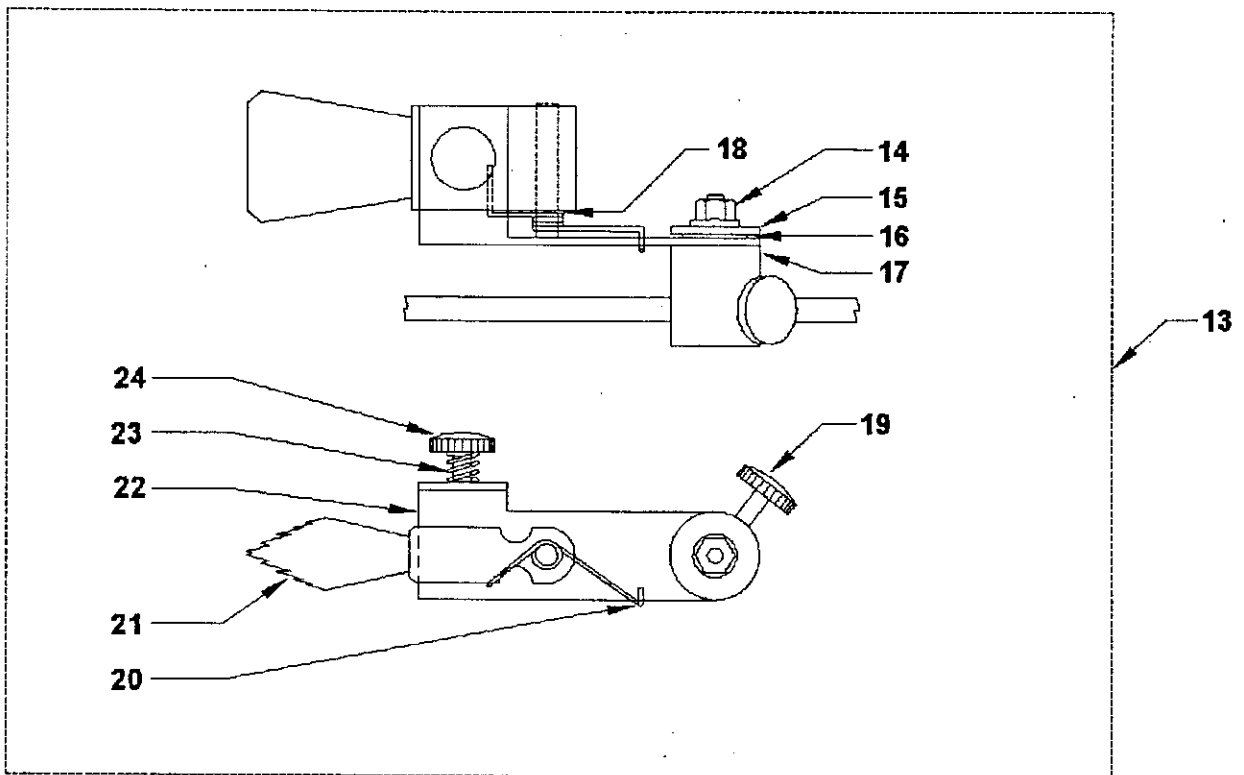
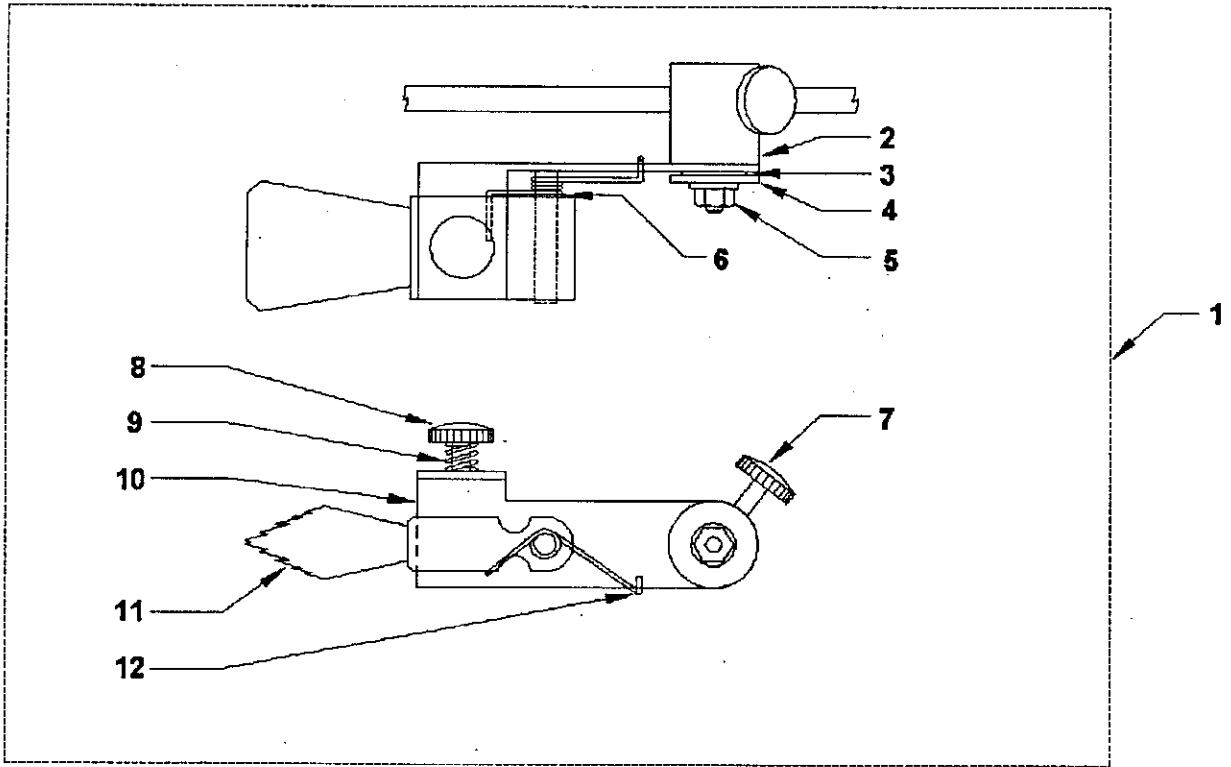


# FEEDER SECTION

## BAIL BAR ASSEMBLY

<u>FIGURE</u>	<u>PART NUMBER</u>	<u>DESCRIPTION</u>	<u>UNITS PER ASSEMBLY</u>
1	172968	LABEL -- scale	1
2	178902	STUD -- threaded	1
3	178917	MOUNTING BRACKET ASSEMBLY	1
4	178921	BAR -- paper hold, down	1
5	065361	SCREW -- thumb	2
6	178927	MOUNTING BRACKET -- os	1
7	100334	SCREW -- 10-32 x 3/4"	1
8	100740	RETAINING RING	1
9	100649	SCREW -- 5/16-24 x 3/4"	2
10	180444	BUMPER	2
11	100710	NUT -- hex, 5/16-18	4
12	180443	BRACKET BUMPER	2
13	172240	PIVOT -- conveyor	2
14	190254	NUT -- hex special sub.	2
15	180537	SHAFT -- control	1
16	100554	PIN -- spiral	1
17	180472	KNOB	1
18	180538	BRACKET -- support	1
19	193577	WASHER -- spring	1
20	180531	WASHER -- friction	2
21	003586	WASHER -- .380 i.d., .750 o.d.	2
22	150088	NUT -- lock, 3/8-16	2
23	014162	SCREW -- 1/4-28 x 1/2"	1
24	180530	STUD -- threaded	1
25	180539	LEVER ASSEMBLY -- regulator	1
26	180534	NUT -- special	1
27	014459	RING -- bowed "E"	1
28	001060	RETAINING RING	1

# FEEDER SECTION



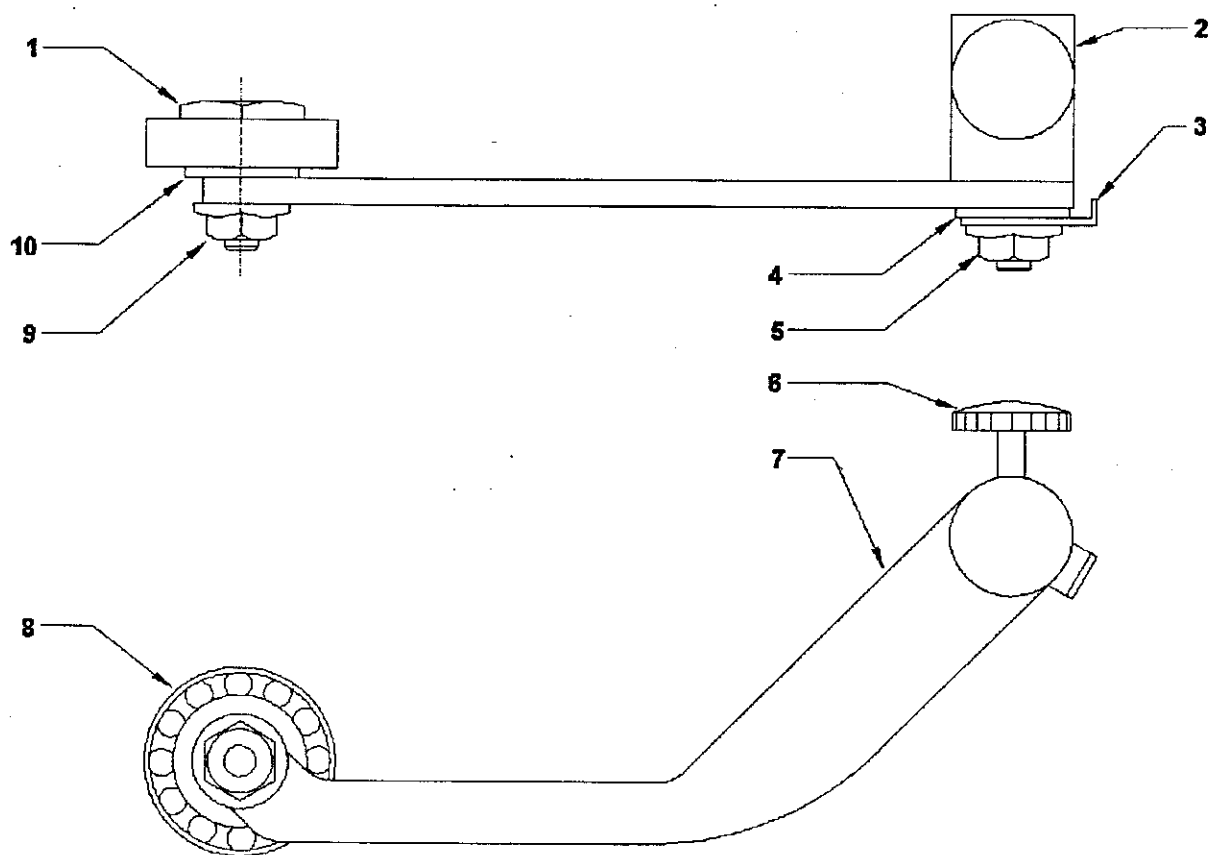
# FEEDER SECTION

## BRUSH ASSEMBLIES

<u>FIGURE</u>	<u>PART NUMBER</u>	<u>DESCRIPTION</u>	<u>UNITS PER ASSEMBLY</u>
1	172120	BRUSH ASSEMBLY	1
2	179232	CLAMP	1
3	193795	WASHER -- thrust	1
4	014713	WASHER -- .203 i.d., .750 o.d.	1
5	150083	NUT -- lock, 10-32	1
6	014464	RING -- grip	1
7	172266	SCREW -- knurled	1
8	065361	SCREW -- thumb	1
9	179666	SPRING -- compression	1
10	172117	BRACKET ASSEMBLY	1
11	180662	BRUSH -- trail edge	1
12	172114	SPRING -- torsion	1
13	172216	BRUSH ASSEMBLY	1
14	150083	NUT -- lock, 10-32	1
15	014713	WASHER -- .203 i.d., .750 o.d.	1
16	193795	WASHER -- thrust	1
17	179232	CLAMP	1
18	014464	RING -- grip	1
19	172266	SCREW -- knurled	1
20	172269	SPRING -- torsion	1
21	180662	BRUSH -- trail edge	1
22	172215	BRACKET ASSEMBLY	1
23	179666	SPRING -- compression	1
24	065361	SCREW -- thumb	1

# FEEDER SECTION

---



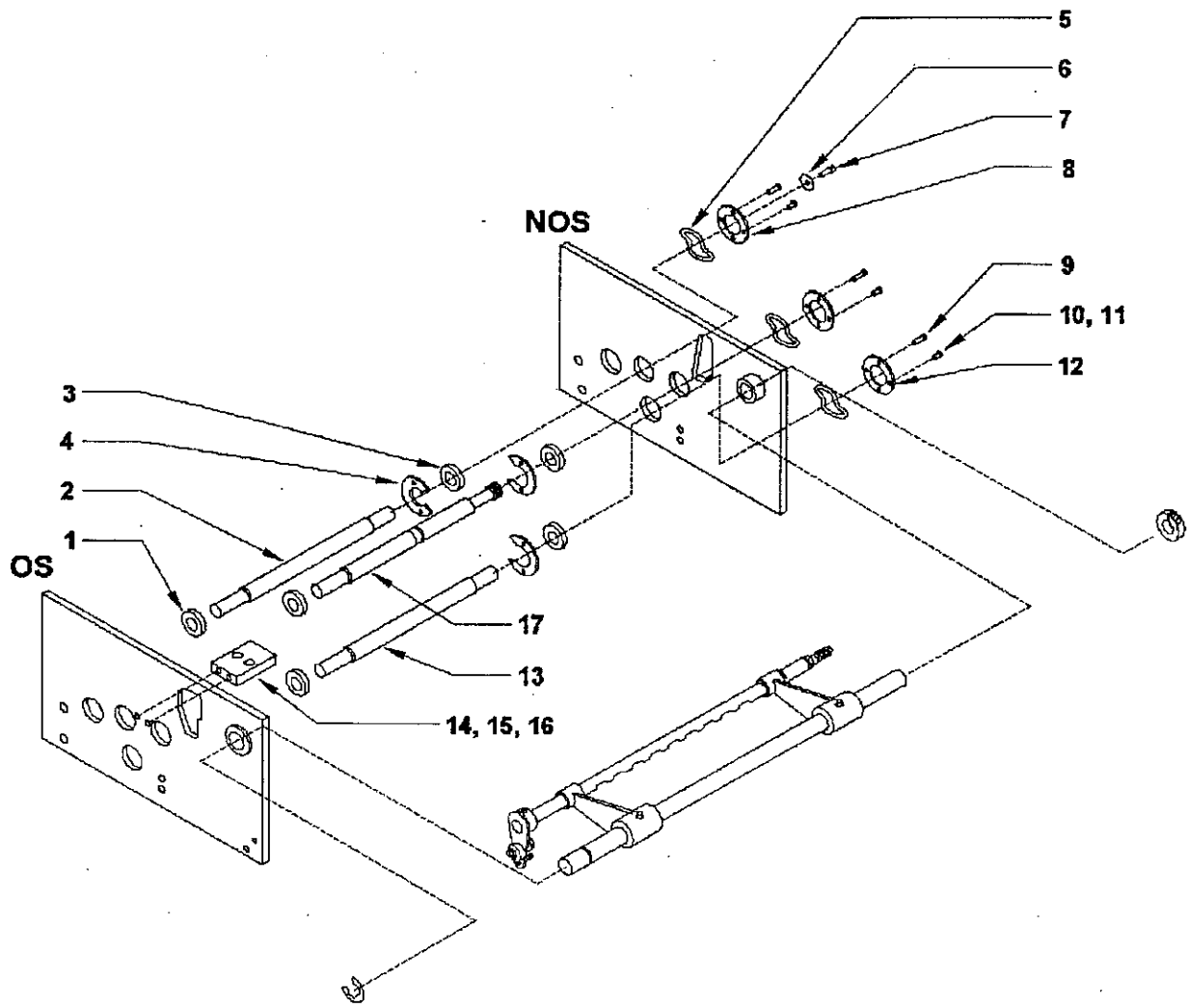
# FEEDER SECTION

---

## CONVEYOR ROLLER

<u>FIGURE</u>	<u>PART NUMBER</u>	<u>DESCRIPTION</u>	<u>UNITS PER ASSEMBLY</u>
1	196849	SCREW -- shoulder pressure roller	1
2	179232	CLAMP -- pressure roller	1
3	179234	STOP -- roller arm	1
4	014713	WASHER -- .203 i.d., .750 o.d.	1
5	150083	NUT -- lock, 10-32	1
6	172266	SCREW -- knurled	1
7	172111	ARM -- roller	1
8	197000	BEARING -- paper hold down	1
9	150083	NUT -- lock, 10-32	1
10	014713	WASHER -- .203 i.d., .750 o.d.	1

# FEEDER SECTION



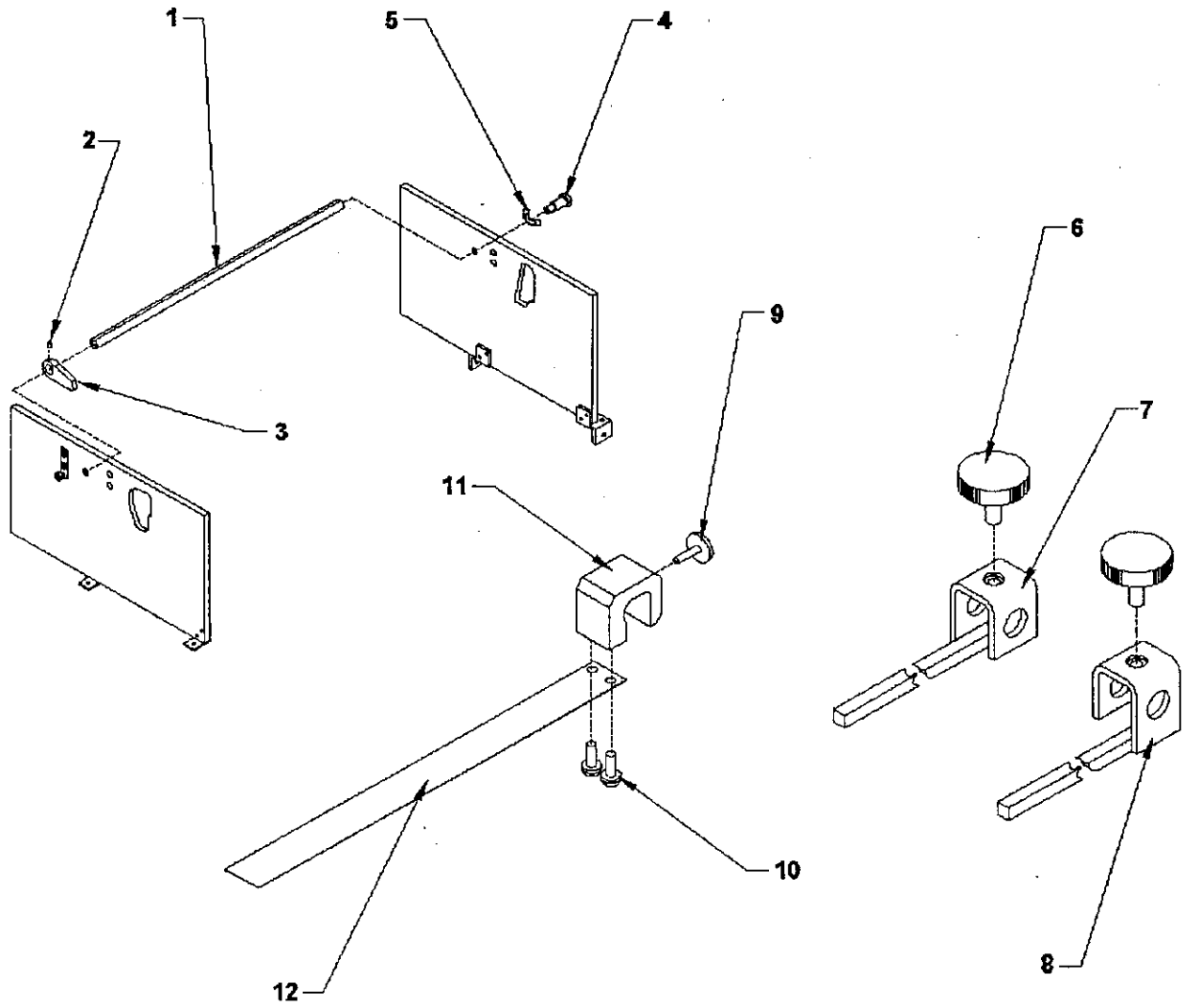


# FEEDER SECTION

## LOWER FEED ROLLER AND GEAR ASSEMBLY

<u>FIGURE</u>	<u>PART NUMBER</u>	<u>DESCRIPTION</u>	<u>UNITS PER ASSEMBLY</u>
1	080312	BEARING	3
2	172149	SHAFT -- doubles diverter	1
3	080312	BEARING	3
4	172131	HUB -- bearing retainer	3
5	197145	WASHER -- wave spring	3
6	191384	WASHER -- .260 i.d., .750 o.d.	1
7	100339	SCREW -- cap, 1/4-28 x 3/8"	1
8	172132	PLATE -- bearing retainer	2
9	102129	SCREW -- 10-32 x 7/8"	6
10	101999	SCREW -- 10-32 x 1/2"	6
11	000666	WASHER -- lock	12
12	172133	PLATE -- bearing retainer	1
13	178723	SHAFT -- cam	1
14	172139	BLOCK -- guide support	2
15	192125	WASHER	4
16	014175	SCREW -- 10-32 x 7/8	4
17	172145	ROLLER AND GEAR ASSEMBLY -- lower feed	1

# FEEDER SECTION



# FEEDER SECTION

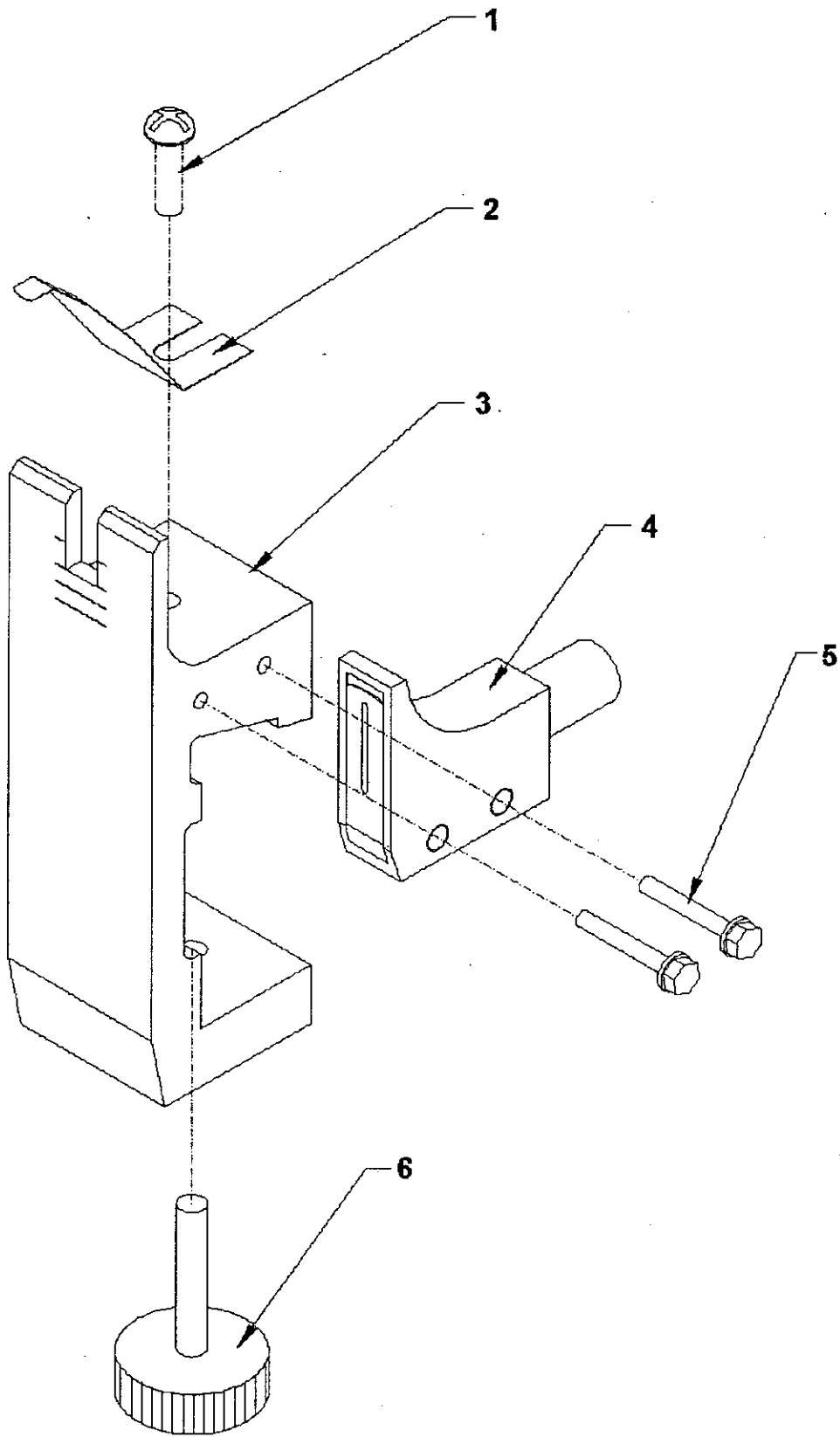
---

## HOLD DOWN STRAPS

<u>FIGURE</u>	<u>PART NUMBER</u>	<u>DESCRIPTION</u>	<u>UNITS PER ASSEMBLY</u>
1	178721	BAR -- upper tie	1
2	001573	SCREW -- 1/4-28 x 5/16"	1
3	172720	LEVER -- stop	1
4	072304	SCREW -- shoulder	1
5	193577	SPRING -- washer	4
6	173350	SCREW -- knurled	4
7	180646	SHAFT -- r.h. assembly	2
8	180644	SHAFT -- l.h. assembly	2
9	065361	SCREW -- thumb	5
10	101001	SCREW -- Phillips, 10-32 x 3/8"	10
11	172236	BRACKET -- hold down	5
12	172237	STRAP -- hold down	5

# FEEDER SECTION

---



# FEEDER SECTION

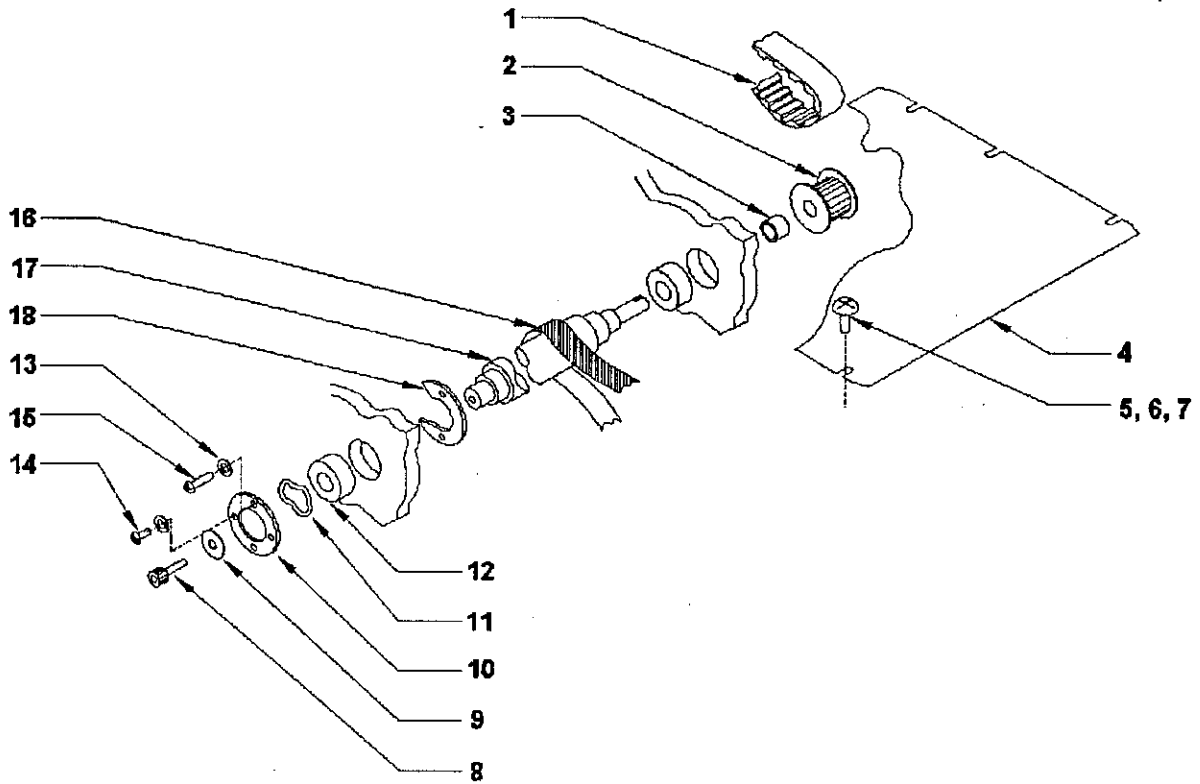
---

## SHEET SEPARATOR AND BLOWER

<u>FIGURE</u>	<u>PART NUMBER</u>	<u>DESCRIPTION</u>	<u>UNITS PER ASSEMBLY</u>
1	001683	SCREW -- 6-32 x 5/16"	4
2	178965	SPRING	4
3	172230	STOP	4
4	172617	BLOWER BODY	2
5	101031	SCREW -- 6-32 x 3/4"	4
6	065361	SCREW -- thumb	4

# FEEDER SECTION

---

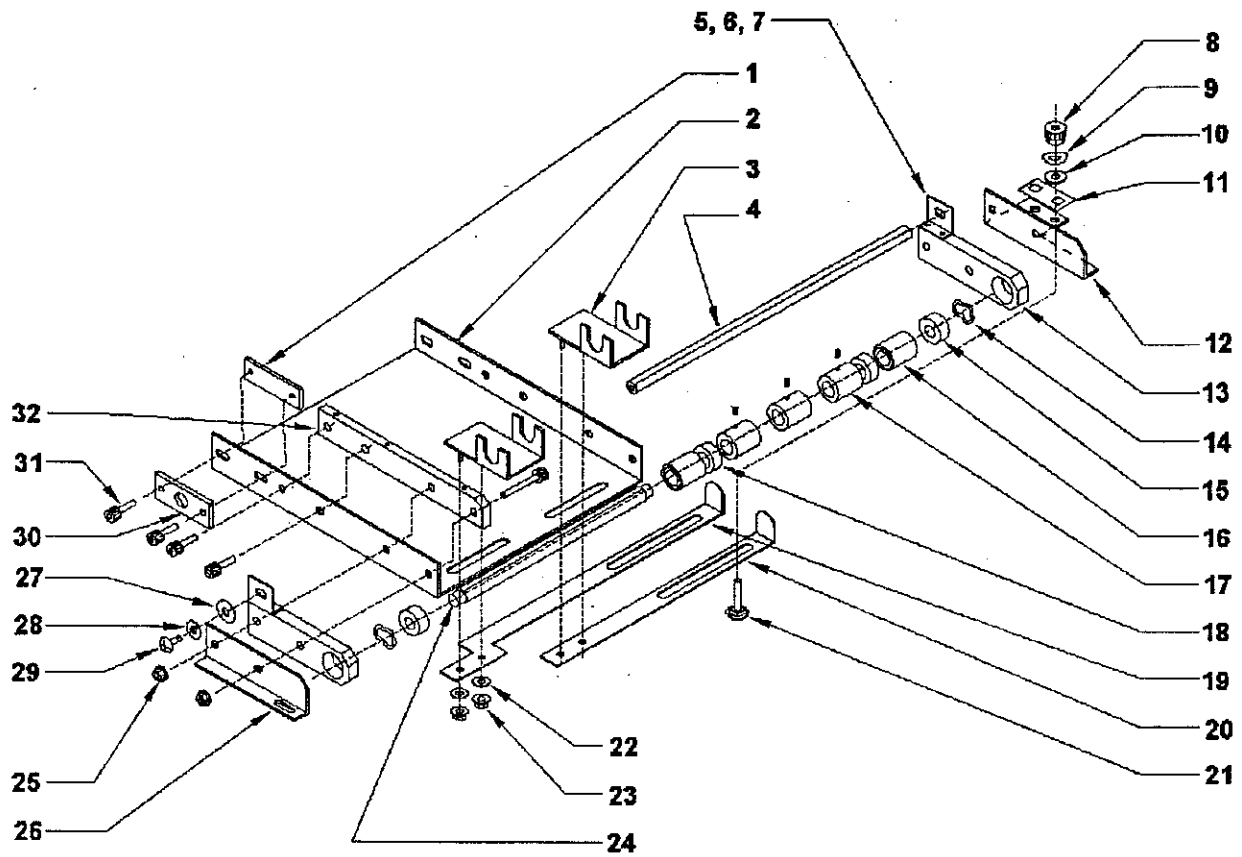


# FEEDER SECTION

## FEEDER CONVEYOR ASSEMBLY -- PART 1

<u>FIGURE</u>	<u>PART NUMBER</u>	<u>DESCRIPTION</u>	<u>UNITS PER ASSEMBLY</u>
1	178808	BELT -- timing	1
2	178806	PULLEY	1
3	190394	SPACER	1
4	172526	PLATE CONVEYOR	1
5	101999	SCREW -- 10-32 x 1/2"	6
6	000666	WASHER -- lock, .200 i.d., .334 o.d.	6
7	021861	WASHER -- .196 i.d., .437 o.d.	6
8	100339	SCREW -- cap, 1/4-28 x 3/8"	1
9	191384	WASHER -- .260 i.d., .750 o.d.	1
10	172132	PLATE -- bearing retainer	1
11	197145	WASHER -- wave, spring	1
12	080312	BEARING	2
13	000666	WASHER -- lock, .200 i.d., .334 o.d.	4
14	101999	SCREW -- 10-32 x 1/2"	2
15	102129	SCREW -- 10-32 x 7/8"	2
16	172496	BELT -- conveyor	5
17	178722	SHAFT -- conveyor drive	1
18	172131	HUB -- bearing retainer	1

# FEEDER SECTION



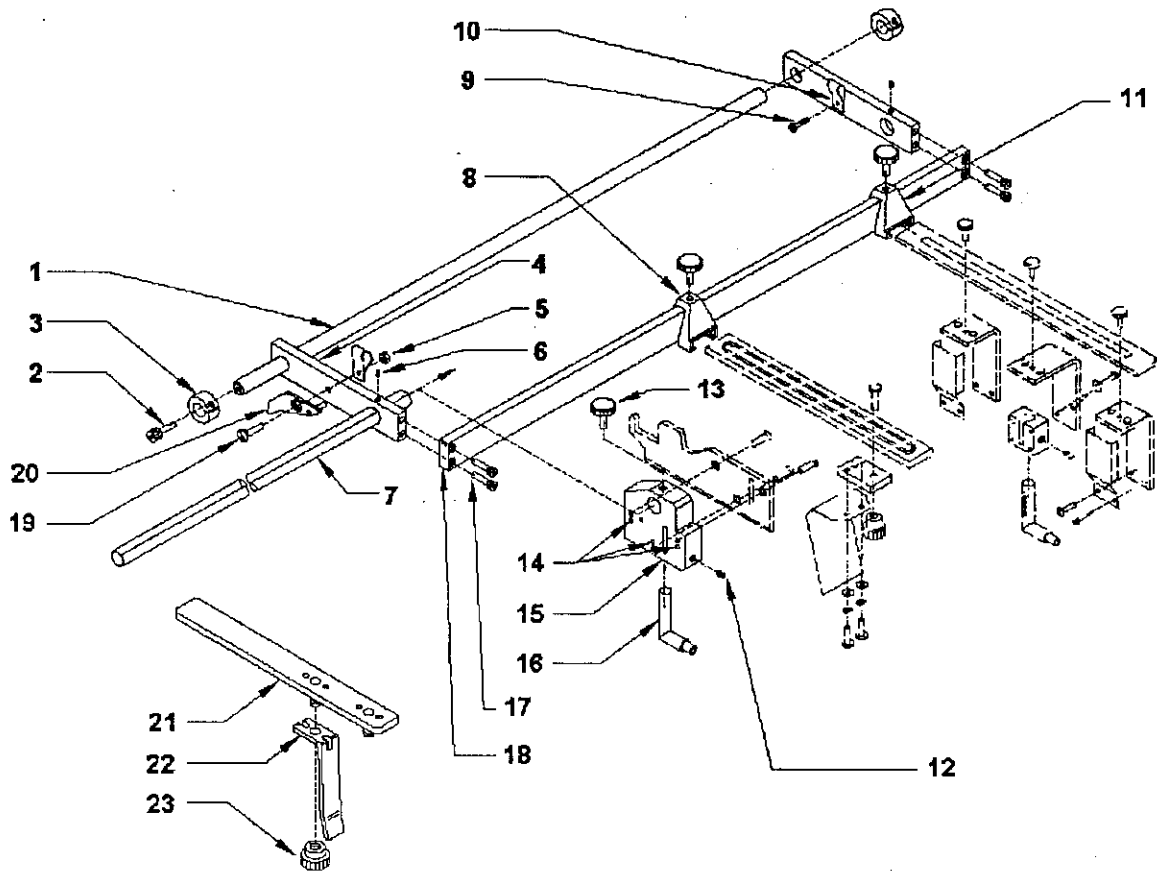


# FEEDER SECTION

## FEEDER CONVEYOR ASSEMBLY -- PART 2

<u>FIGURE</u>	<u>PART NUMBER</u>	<u>DESCRIPTION</u>	<u>UNITS PER ASSEMBLY</u>
1	178746	PLATE -- nut	2
2	172244	BASE -- conveyor	1
3	178765	BRACKET -- pulley adjustment	2
4	172241	ROD -- hold down	1
5	172245	BRACKET -- rod	2
6	000666	WASHER -- lock, .200 i.d., .334 o.d.	4
7	101999	SCREW -- 10-32 x 1/2"	4
8	072292	NUT -- knurled	2
9	015118	WASHER -- friction	2
10	016572	WASHER -- .255 i.d., .875 o.d.	2
11	172619	PLATE	1
12	172242	RETAINER -- bearing, os	1
13	178742	HOUSING -- bearing	2
14	197145	WASHER -- wave, spring	2
15	080312	BEARING	2
16	178761	PULLEY -- crown	2
17	178737	PULLEY -- crown	3
18	197410	SPACER -- pulley	2
19	178767	HANDLE -- pulley adjustment	1
20	178766	HANDLE -- pulley adjustment	1
21	014170	CARRIAGE BOLT	2
22	178763	CARRIAGE BOLT	2
23	150083	NUT -- lock, 10-32	4
24	178738	SHAFT -- conveyor drive	1
25	150085	NUT -- 1/4-28	
26	172243	RETAINER -- bearing, nos	1
27	021861	WASHER -- .196 i.d., .437 o.d.	2
28	000666	WASHER -- lock, .200 i.d., .334 o.d.	2
29	101999	SCREW -- 10-32 x 1/2"	2
30	172239	BRACKET -- conveyor support	2
31	100653	SCREW -- 1/4-28 x 3/4"	8
32	178764	RAIL -- top plate	2

# FEEDER SECTION

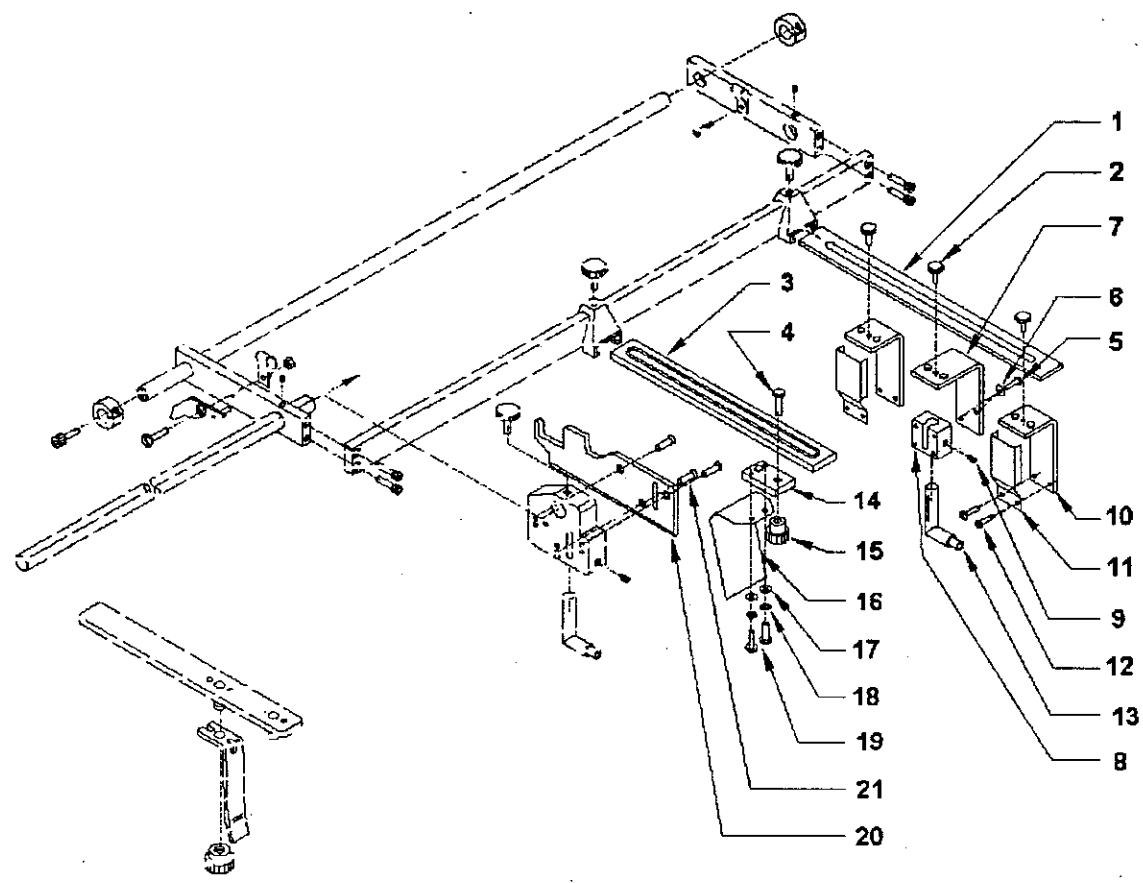


# FEEDER SECTION

## PAPER FEED GUIDES -- PART 1

<u>FIGURE</u>	<u>PART NUMBER</u>	<u>DESCRIPTION</u>	<u>UNITS PER ASSEMBLY</u>
1	178634	SHAFT -- pivot	1
2	014165	SCREW -- 1/4-28 x 1"	1
3	196891	CLAMP -- collar	2
4	178627	BAR -- pivot, stack guide	2
5	001833	NUT -- 1/4-20	1
6	014390	SCREW -- set, 1/4-28 x 1/4"	2
7	178629	SHAFT -- side adjustment support	1
8	180842	BRACKET -- clamp	1
9	100625	SCREW -- 1/4-28 x 1/2"	1
10	252094	CLAMP -- cable	2
11	073385	BRACKET -- clamp	1
12	178341	SPRING -- plunger	2
13	073394	SCREW -- knurled	3
14	100890	SCREW -- set	1
15	172900	BLOCK -- plate support	1
16	180673	BLOWER -- rear, os	1
17	100459	SCREW -- 10-32 x 1/2"	4
18	178628	BAR -- pivot, stack guide	1
19	173106	SCREW -- special	1
20	173104	LATCH ASSEMBLY	1
21	007689	GUIDE ASSEMBLY -- back	1
22	073467	BRACKET -- back guide	1
23	072292	NUT -- knurled	1

# FEEDER SECTION

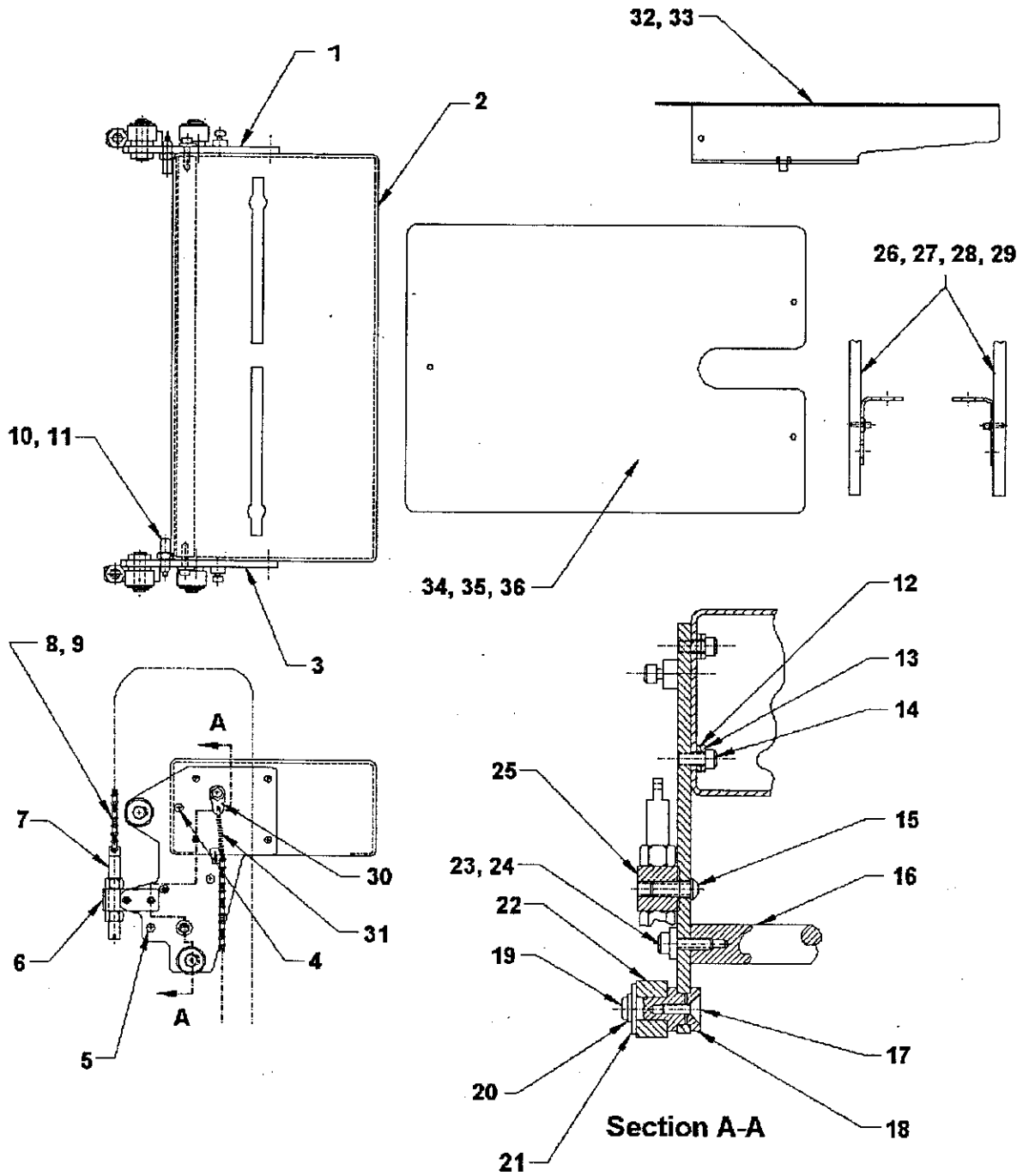


# FEEDER SECTION

## PAPER FEED GUIDES -- PART 2

<u>FIGURE</u>	<u>PART NUMBER</u>	<u>DESCRIPTION</u>	<u>UNITS PER ASSEMBLY</u>
1	180678	MOUNT -- spring guide	1
2	180653	SCREW -- knurled	3
3	180831	MOUNT -- spring guide	1
4	180832	SCREW -- spring guide, 1/4-28 x 3/8"	1
5	001284	SCREW -- 6-32 x 3/8"	2
6	190345	WASHER -- .170 i.d., .293 o.d.	2
7	180675	BRACKET -- rear blower	1
8	180674	HOLDER -- rear blower	1
9	178341	SPRING -- plunger	1
10	180676	HOLDER -- spring	2
11	180677	GUIDE -- spring	2
12	001693	SCREW -- 8-32 x 1/4"	4
13	180672	BLOWER -- rear, nos	1
14	180830	HOLDER -- spring	1
15	084283	KNOB	1
16	172329	GUIDE -- spring	1
17	001744	WASHER -- 11/64 i.d., 9/32 o.d.	2
18	190345	WASHER -- .170 i.d., .293 o.d.	2
19	001290	SCREW -- 8-32 x 1/4"	2
20	173507	PLATE -- guide	1
21	101612	SCREW -- 1/4-28 x 7/16"	3

# FEEDER SECTION

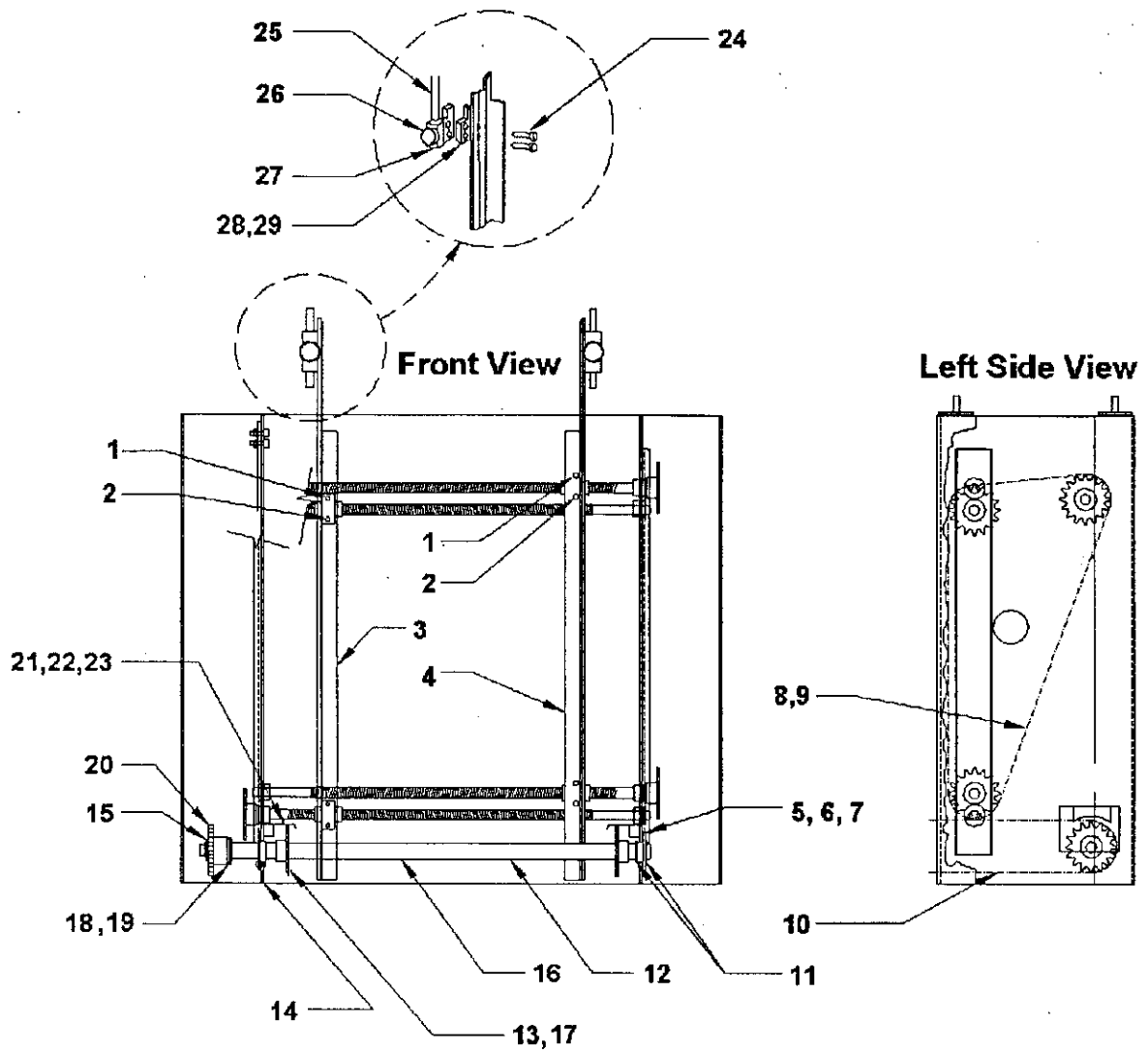


# FEEDER SECTION

## FEED TABLE ASSEMBLY

<u>FIGURE</u>	<u>PART NUMBER</u>	<u>DESCRIPTION</u>	<u>UNITS PER ASSEMBLY</u>
1	180628	PLATE ASSEMBLY -- nos	1
2	180598	TABLE FEED	1
3	180627	PLATE ASSEMBLY -- os	1
4	180609	SLEEVE	4
5	100653	SCREW -- cap, 1/4-28 x 3/4"	4
6	001842	NUT -- 3/8-16	4
7	180611	CONNECTOR -- chain	2
8	180708	CHAIN ASSEMBLY -- nos	1
9	<del>180640</del> <del>180640</del>	CHAIN ASSEMBLY -- os	1
10	003578	NUT -- hex, 1/4-20	2
11	197221	SPRING PLUNGER	2
12	014788	WASHER -- .260 i.d., .625 o.d.	8
13	191797	WASHER -- .265 i.d., .625 o.d.	8
14	014162	SCREW -- 1/4-28 x 1/2"	8
15	101086	SCREW -- cap, 1/4-28 x 3/4"	4
16	180624	BAR -- feed table cross	1
17	100622	SCREW -- 1/4-28 x 5/8"	4
18	180607	RETAINER	4
19	180606	STUD -- table truck	4
20	014511	"E" RING	4
21	014688	WASHER -- .507 i.d., 1.000 o.d.	4
22	197222	BEARING NEEDLE	4
23	014788	WASHER -- .265 i.d., .625 o.d.	2
24	101626	SCREW -- 1/4-28 x 5/8"	2
25	180615	BRACKET -- chain connector	2
26	173197	BRACKET -- conveyor	2
27	001731	WASHER -- lock, .250 i.d., .485 o.d.	4
28	101626	SCREW -- 1/4-28 x 5/8"	4
29	191384	WASHER -- .260 i.d., .750 o.d.	4
30	072036	CONNECTOR -- table	2
31	192151	SPRING	2
32	173663	SUPPORT ARM -- nos	1
33	173662	SUPPORT ARM -- os	1
34	094449	PAPER SUPPORT BOARD -- 8 1/2" x 11"	1
35	094428	PAPER SUPPORT BOARD -- 11" x 17"	1
36	180849	PAPER SUPPORT BOARD -- 13 1/2" x 17"	1

# FEEDER SECTION



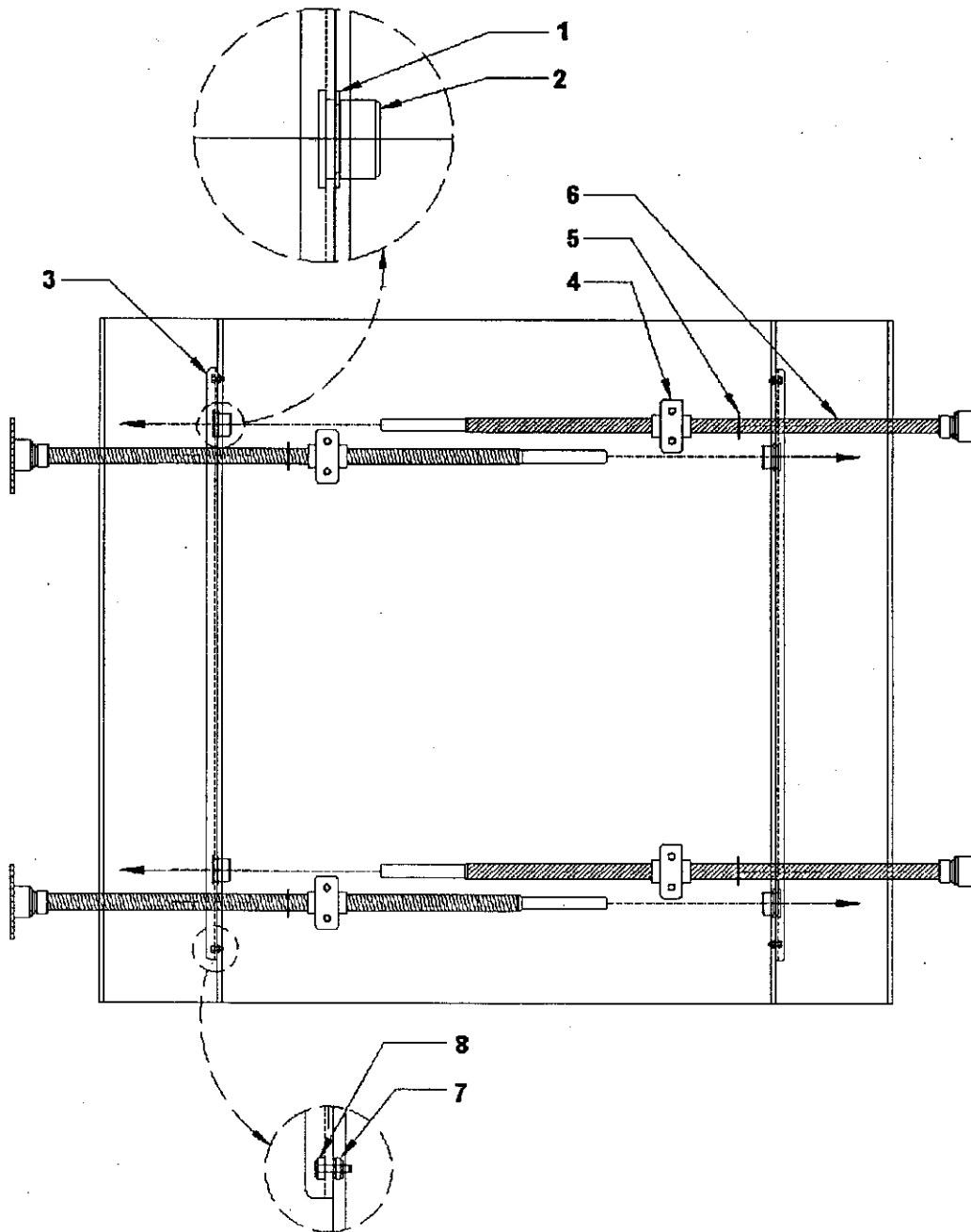


# FEEDER SECTION

## PAPER GUIDE RAILS

<u>FIGURE</u>	<u>PART NUMBER</u>	<u>DESCRIPTION</u>	<u>UNITS PER ASSEMBLY</u>
1	016327	SCREW -- 10-32 x 9/32"	4
2	016060	SCREW -- 10-32 x 3/8"	4
3	173511	GUIDE ASSEMBLY -- nos	1
4	173509	GUIDE ASSEMBLY -- os	1
5	072599	BRACKET -- bearing, os, nos	2
6	111054	SCREW -- 10-32 x 1/2," os, nos	6
7	014248	NUT -- lock, 10-32, os, nos	6
8	072024	CHAIN ASSEMBLY -- os	1
9	072037	CHAIN DELIVERY TABLE ADJUSTMENT -- nos	1
10	173442	CHAIN -- to table raise motor	1
11	001093	RETAINING RING	2
12	173438	SHAFT ASSEMBLY	1
13	072041	SPROCKET ASSEMBLY	2
14	072599	BRACKET -- bearing	1
15	173436	INNER RING I.D.	1
16	173439	SHAFT -- table raise/lower	1
17	001936	PIN -- taper	2
18	196997	WASHER -- thrust	1
19	001073	RETAINING RING	1
20	173434	SPROCKET CLUTCH ASSEMBLY	1
21	180463	GUARD LOWER SPROCKET	2
22	100345	SCREW -- 10-32 x .312"	4
23	001812	NUT -- hex, 10-32	4
24	112652	SCREW -- 8-32 x 9/16"	4
25	180670	BLOWER -- front	2
26	180653	SCREW -- knurled	2
27	180671	HOLDER -- front blower	2
28	173514	SPACER FINGER -- os	1
29	173515	SPACER FINGER -- nos	1

# FEEDER SECTION



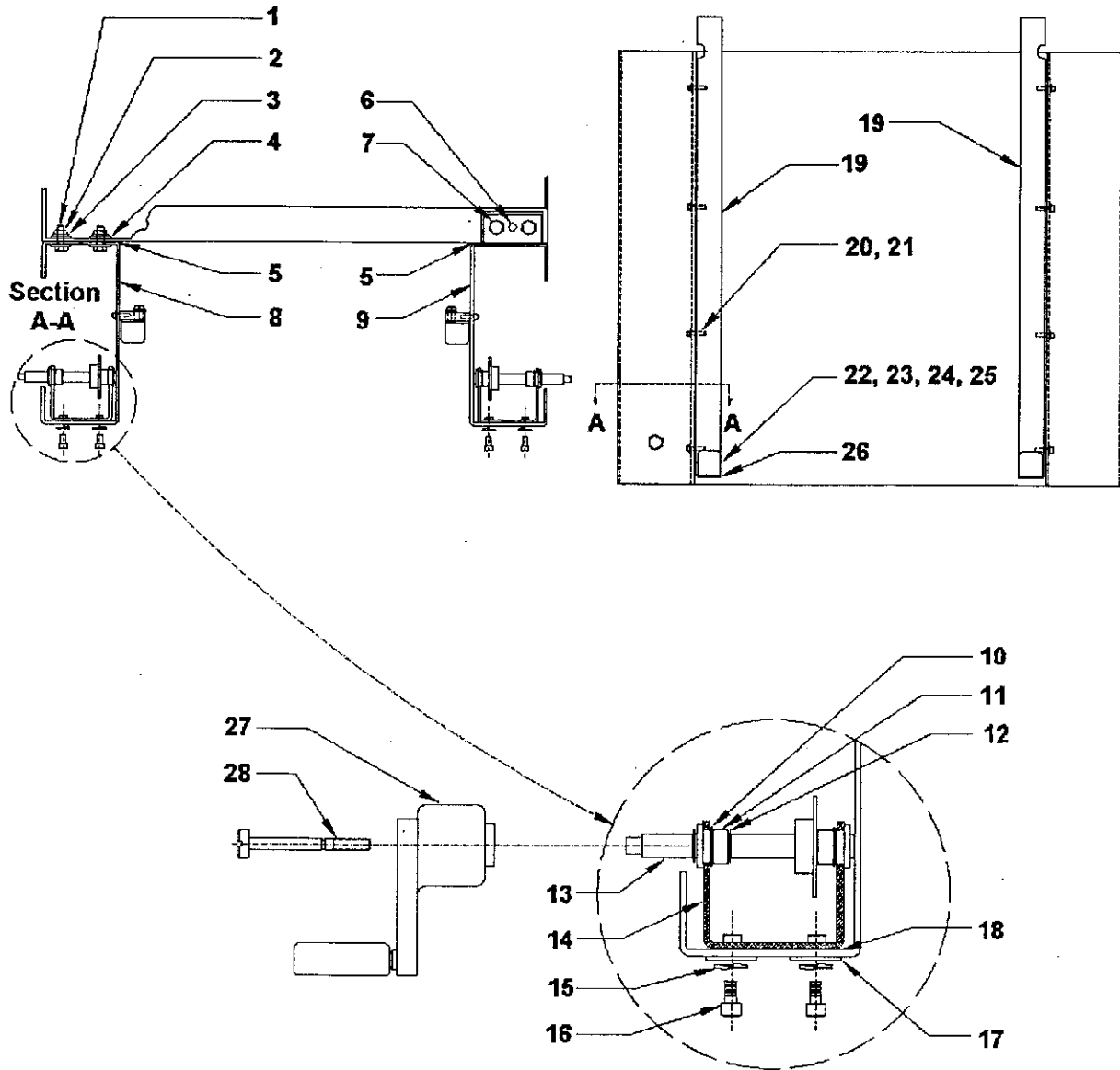
# FEEDER SECTION

---

## FEEDER SIDE GUIDE SPROCKETS

<u>FIGURE</u>	<u>PART NUMBER</u>	<u>DESCRIPTION</u>	<u>UNITS PER ASSEMBLY</u>
1	100119	WASHER -- bowed	4
2	072064	BUSHING	4
3	180548	BRACKET -- guide screw	2
4	084473	GUIDE NUT ASSEMBLY	4
5	100119	WASHER -- bowed	4
6	007533	GUIDE SCREW ASSEMBLY	4
7	150087	NUT -- flange, 5/16-24	4
8	111089	SCREW -- 5/16-24 x 5/8"	4

# FEEDER SECTION



# FEEDER SECTION

## PAPER GUIDE RAIL CRANKS

<u>FIGURE</u>	<u>PART NUMBER</u>	<u>DESCRIPTION</u>	<u>UNITS PER ASSEMBLY</u>
1	111092	SCREW -- 5/16-24 x 1"	4
2	150087	NUT -- flange, 5/16-24	4
3	001710	WASHER -- lock, .328 i.d., .570 o.d.	4
4	195234	WASHER -- .324 i.d., .562 o.d.	8
5	173303	SPACER	8
6	197009	PIN -- dowel	2
7	111099	SCREW -- 3/8-24 x 7/8"	4
8	172262	FEEDER BASE	1
9	172263	FEEDER BASE	1
10	001064	RETAINING RING	4
11	196397	BUSHING	4
12	001094	RETAINING RING	4
13	172804	SHAFT -- paper guide adjustment	2
14	172802	BRACKET -- shaft adjustment	2
15	001731	WASHER -- lock, .263 i.d., .485 o.d.	4
16	100653	SCREW -- cap, 1/4-28 x 3/4"	4
17	191384	WASHER -- .260 i.d., .760 o.d.	4
18	173397	SPACER	2
19	172356	GUIDE FEED TABLE	2
20	190129	SCREW -- 5/16-18 x 1"	8
21	001710	WASHER -- lock, .328 i.d., .570 o.d.	8
22	100653	SCREW -- cap, 1/4-28 x 3/4"	4
23	001731	WASHER -- lock, .263 i.d., .485 o.d.	4
24	005071	WASHER -- .253 i.d., .500 o.d.	4
25	172621	STOP TABLE -- nos	1
26	172620	STOP TABLE -- os	1
27	017595	CRANK ARM ASSEMBLY	2
28	197194	SCREW -- special	2

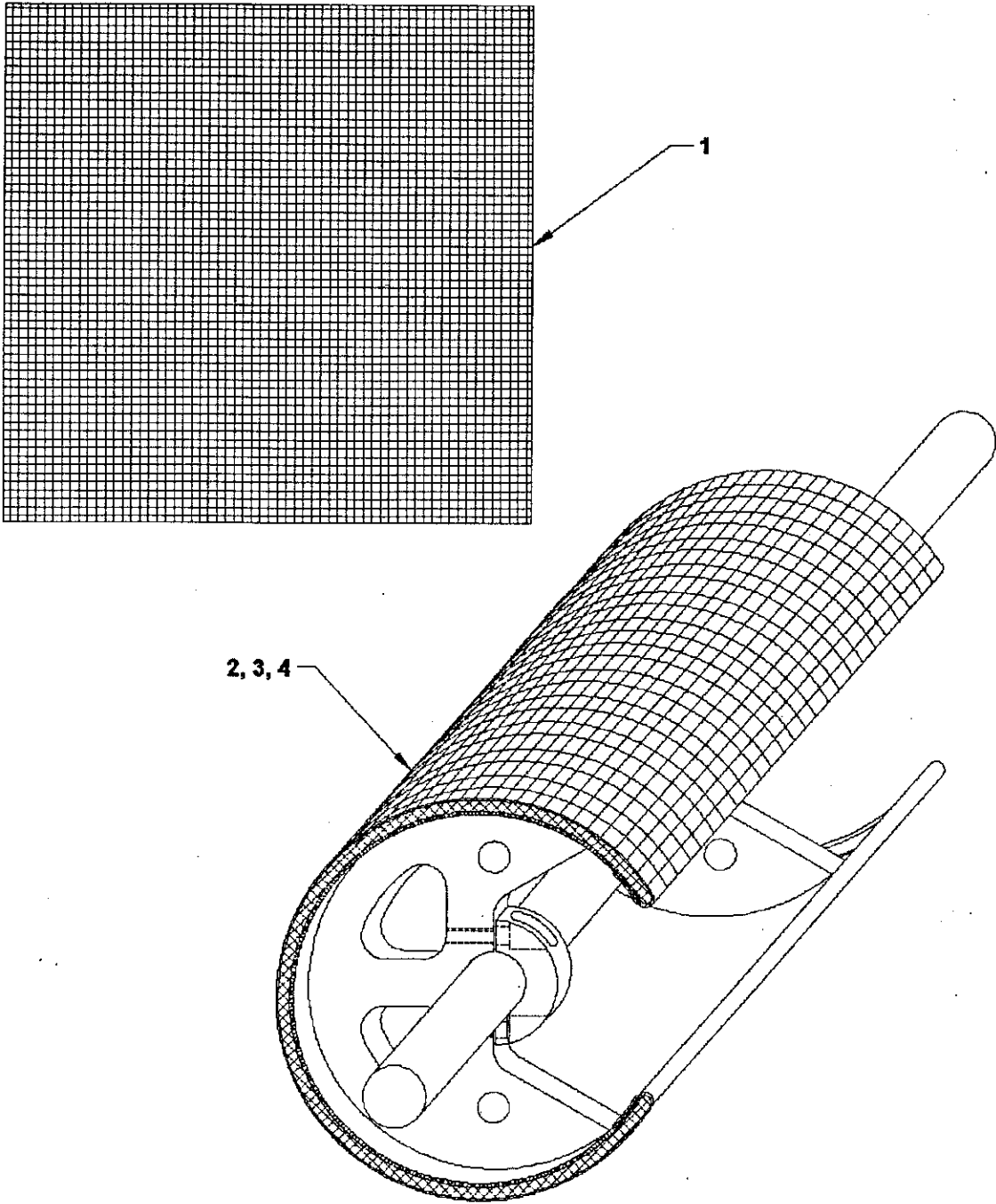


***Chain Delivery***

---

# CHAIN DELIVERY

---





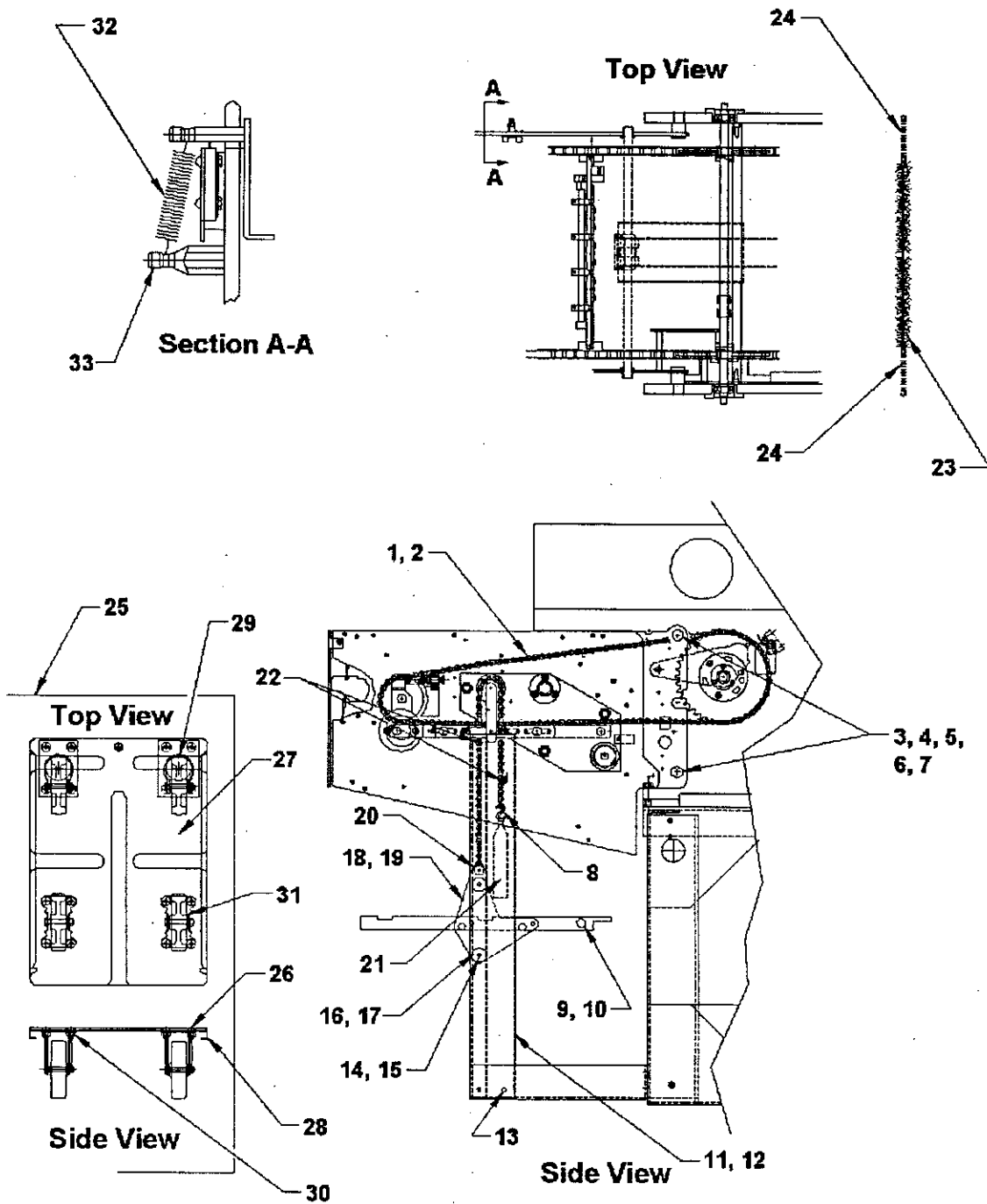
# CHAIN DELIVERY

## SUPER BLUE

<u>FIGURE</u>	<u>PART NUMBER</u>	<u>DESCRIPTION</u>	<u>UNITS PER ASSEMBLY</u>
1	173529*	NET -- Super Blue, 23" x 23"	6
2	172773*	WASHER -- lock, 1/4"	4
		SHCS -- 1/4-20 x .75" lg.	4
		CYLINDER -- anti-tracking c.d.	1
		CLAMP -- 1" shaft	2
3	173530*	NET -- Super Blue, 23" x 23"	6
		WEATHERSTRIPPING -- 1/8" x 1/32" x 3'	1
		VELCRO -- male, 5/8" x 16"	2
		VELCRO -- male, 5/8" x 16"	2
		VELCRO -- female, 5/8" x 12"	2
4	173525*	NET -- Super Blue, 23" x 23"	3
		WEATHERSTRIPPING -- 1/8" x 1/32" x 3'	1
		MANUAL -- instructions	1

\* Sold in kits only.

# CHAIN DELIVERY



# CHAIN DELIVERY

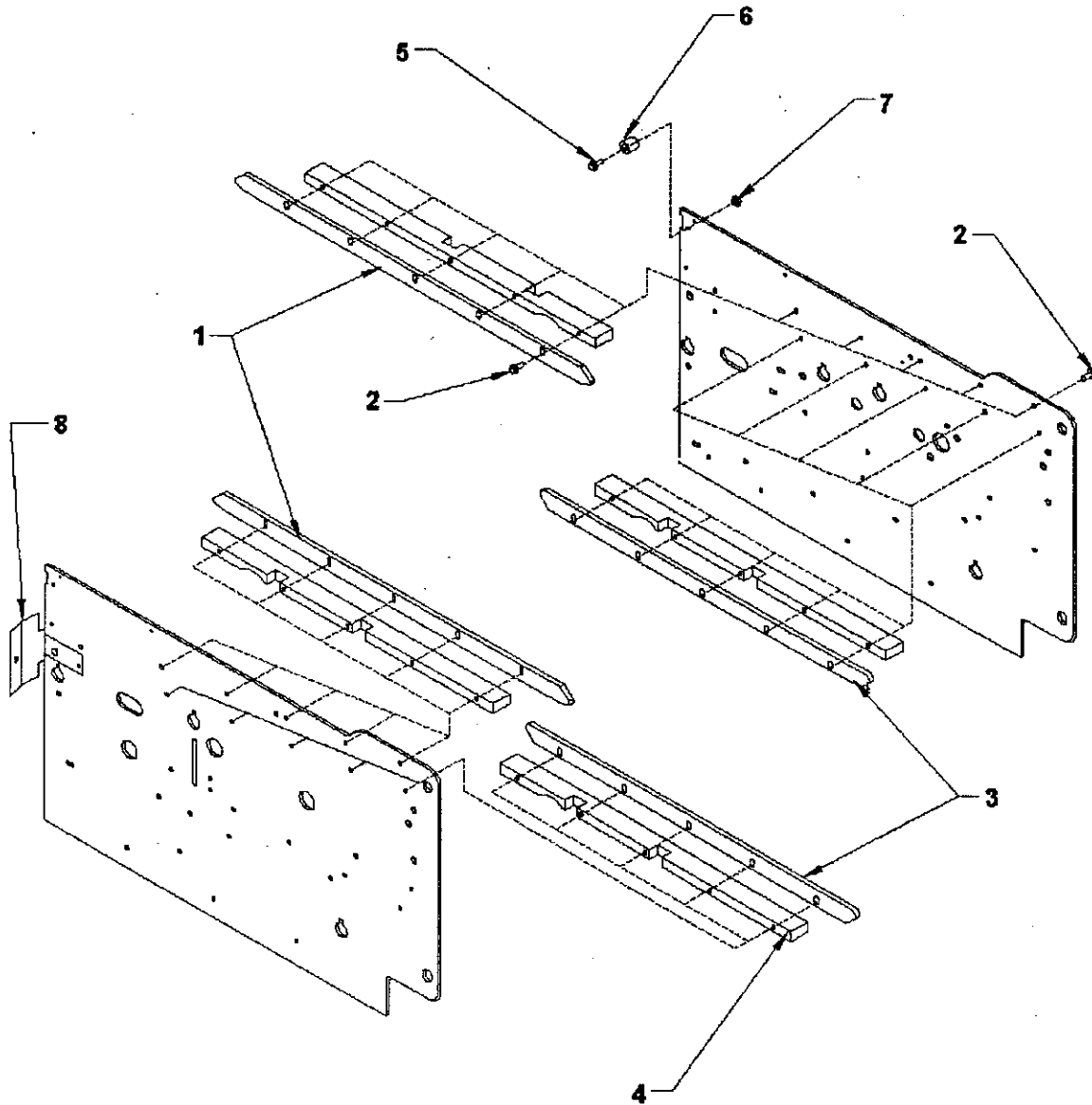
## TABLE DESCENT

FIGURE	PART NUMBER	DESCRIPTION	UNITS PER ASSEMBLY
1	<del>172771</del>	CHAIN DELIVERY GRIPPER BAR -- os	1
2	<del>172772</del>	CHAIN DELIVERY GRIPPER BAR -- nos	1
3	172298	SPACER	4
4	102219	SCREW -- dowel, 3/8-24	4
5	001771	WASHER -- .375 i.d., .875 o.d.	4
6	001763	WASHER -- lock, .385 i.d., .675 o.d.	4
7	001845	NUT -- 3/8-24	4
8	194835	"S" HOOK	2
9	016405	TIE BAR	1
10	111073	SCREW -- 1/4-28 x 5/8"	2
11	172304	CARRIER GUIDE ASSEMBLY -- nos	1
12	172303	CARRIER GUIDE ASSEMBLY -- os	1
13	101943	NUT -- acorn, 1/4-20	4
14	172649	STUD -- eccentric	2
15	150084	NUT -- 1/4-20	2
16	196390	ROLLER CAR	4
17	001060	RETAINING RING	4
18	172287	CARRIER AND RAIL ASSEMBLY -- os	1
19	172286	CARRIER AND RAIL ASSEMBLY -- nos	1
20	001060	RETAINING RING	2
21	016399	WEIGHT ASSEMBLY	2
22	100871	NUT -- 1/4-20	4
23	016449	TINSEL ASSEMBLY	1
24	050621	SPRING	2
25	016389	DOLLY ASSEMBLY	1
26	197185	SCREW -- 5/16-24 x 3/4"	16
27	400900	TOP DOLLY	1
28	400901	BASE DOLLY	1
29	081516	CASTER -- swivel	2
30	014809	NUT -- 5/16-24	16
31	081515	CASTER -- rigid	2
32	064673	SPRING	1
33	196768	SPRING -- stud	1

187332 (KIT)

# CHAIN DELIVERY

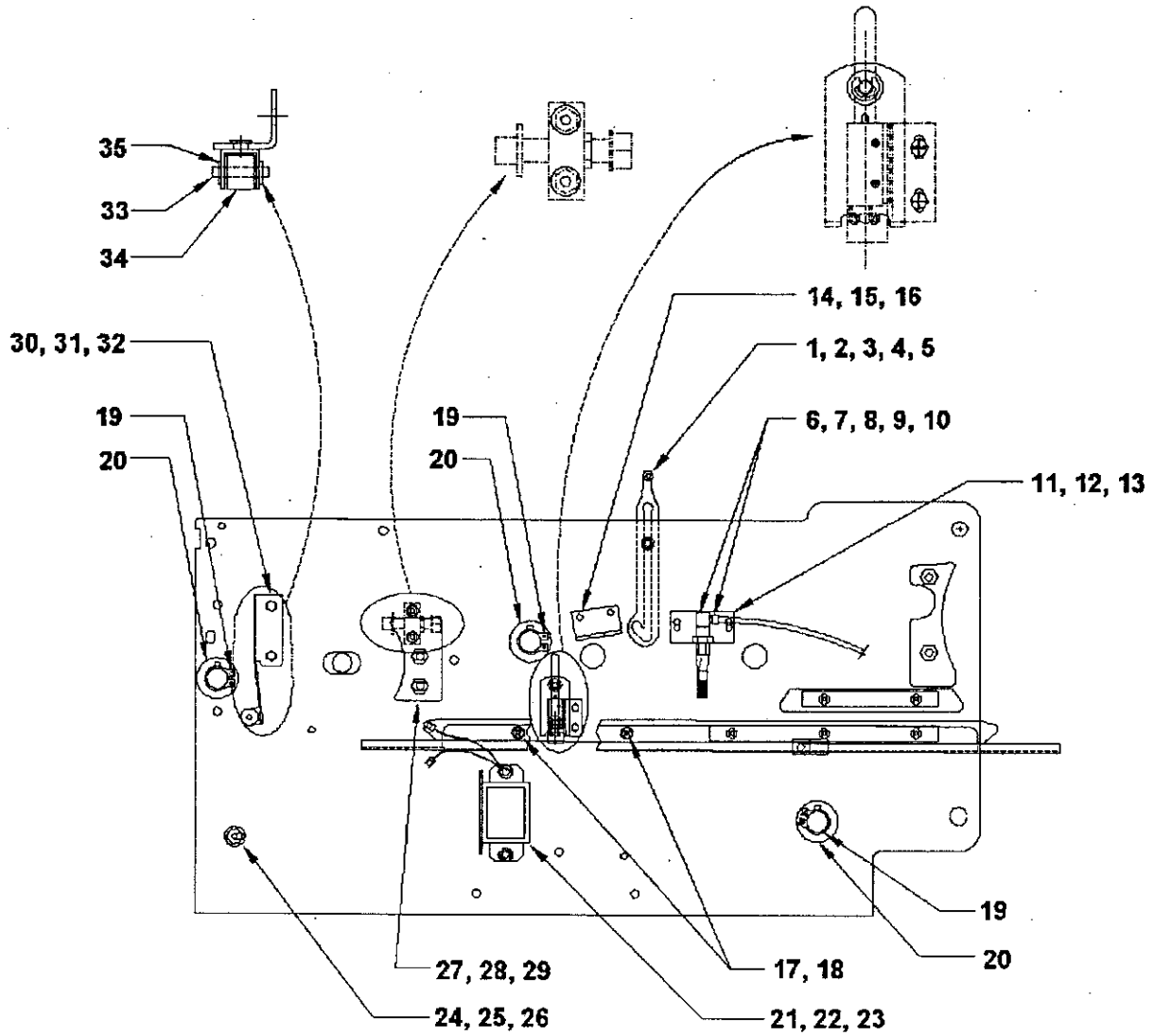
---



## TRACK ASSEMBLY

<u>FIGURE</u>	<u>PART NUMBER</u>	<u>DESCRIPTION</u>	<u>UNITS PER ASSEMBLY</u>
1	172640	TRACK -- top/bottom	2
2	111055	SCREW -- hex washer head, 10-32 x 9/16"	40
3	172641	TRACK -- top/bottom	2
4	172637	SUPPORT -- upper track, c.d.	4
5	101193	SCREW -- cap, 8-32 x 5/8"	2
6	196988	BUMPER	2
7	150081	NUT -- lock, 8-32	2
8	173248	BRACKET ASSEMBLY	1

# CHAIN DELIVERY

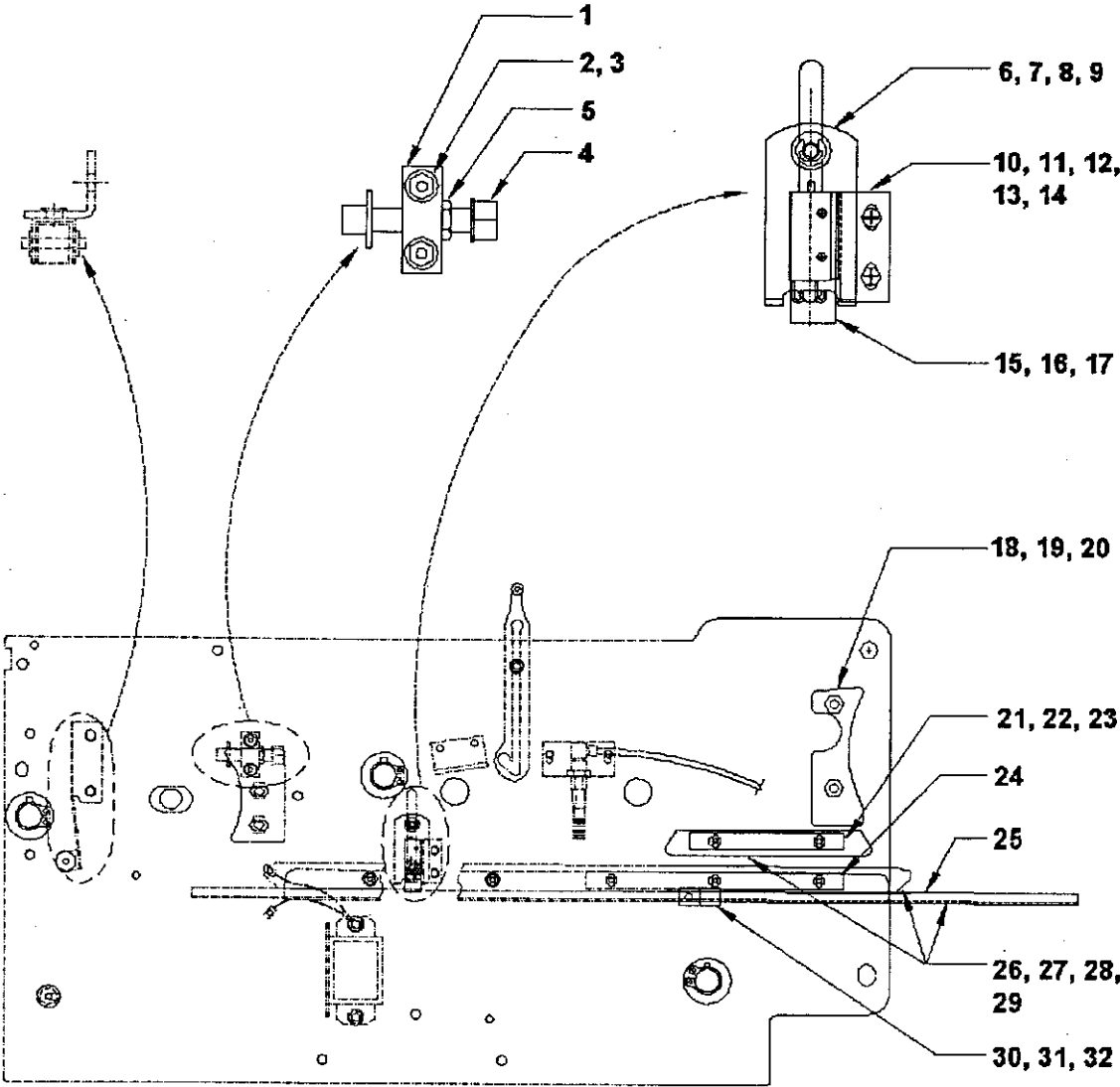


# CHAIN DELIVERY

## CHAIN DELIVERY (NOS FRAME) -- PART 1

<u>FIGURE</u>	<u>PART NUMBER</u>	<u>DESCRIPTION</u>	<u>UNITS PER ASSEMBLY</u>
1	150083	NUT -- lock, 10-32	1
2	074399	BEARING	1
3	172809	STRUT ASSEMBLY	1
4	172811	SCREW -- shoulder	1
5	191797	WASHER -- .265 i.d., .625 o.d.	1
6	180492	NUT -- compression, 5/32	1
7	180497	SLEEVE -- compression, 5/32	1
8	173172	METER UNIT -- FSA-0	1
9	180502	BRUSH ASSEMBLY	1
10	180498	CONNECTOR -- 90 degree, elbow	1
11	179928	BRACKET -- angle	1
12	150083	NUT -- lock, 10-32	2
13	111055	SCREW -- hex washer head, 10-32 x 5/8"	2
14	172293	BRACKET -- mounting light, c.d.	1
15	111055	SCREW -- hex washer head, 10-32 x 5/8"	2
16	150083	NUT -- lock, 10-32	2
17	083745	POST -- plastic	2
18	111055	SCREW -- hex washer head, 10-32 x 5/8"	2
19	101938	RING -- bowed	3
20	196397	BUSHING	3
21	172310	BALLAST TRANSFORMER ASSEMBLY	1
22	111055	SCREW -- hex washer head, 10-32 x 5/8"	2
23	150083	NUT -- lock, 10-32	2
24	196454	SPACER	1
25	111060	SCREW -- 10-32 x 1 1/8"	1
26	150083	NUT -- lock, 10-32	1
27	172306	GUARD -- chain	1
28	017622	STAND OFF	2
29	111069	SCREW -- hex, washer, 1/4-28 x 3/8"	2
30	016545	SPRING ARM ASSEMBLY	1
31	111055	SCREW -- hex washer head, 10-32 x 5/8"	2
32	150083	NUT -- lock, 10-32	1
33	196450	SHAFT	1
34	196449	SPACER	1
35	014514	"E" RING	2

# CHAIN DELIVERY



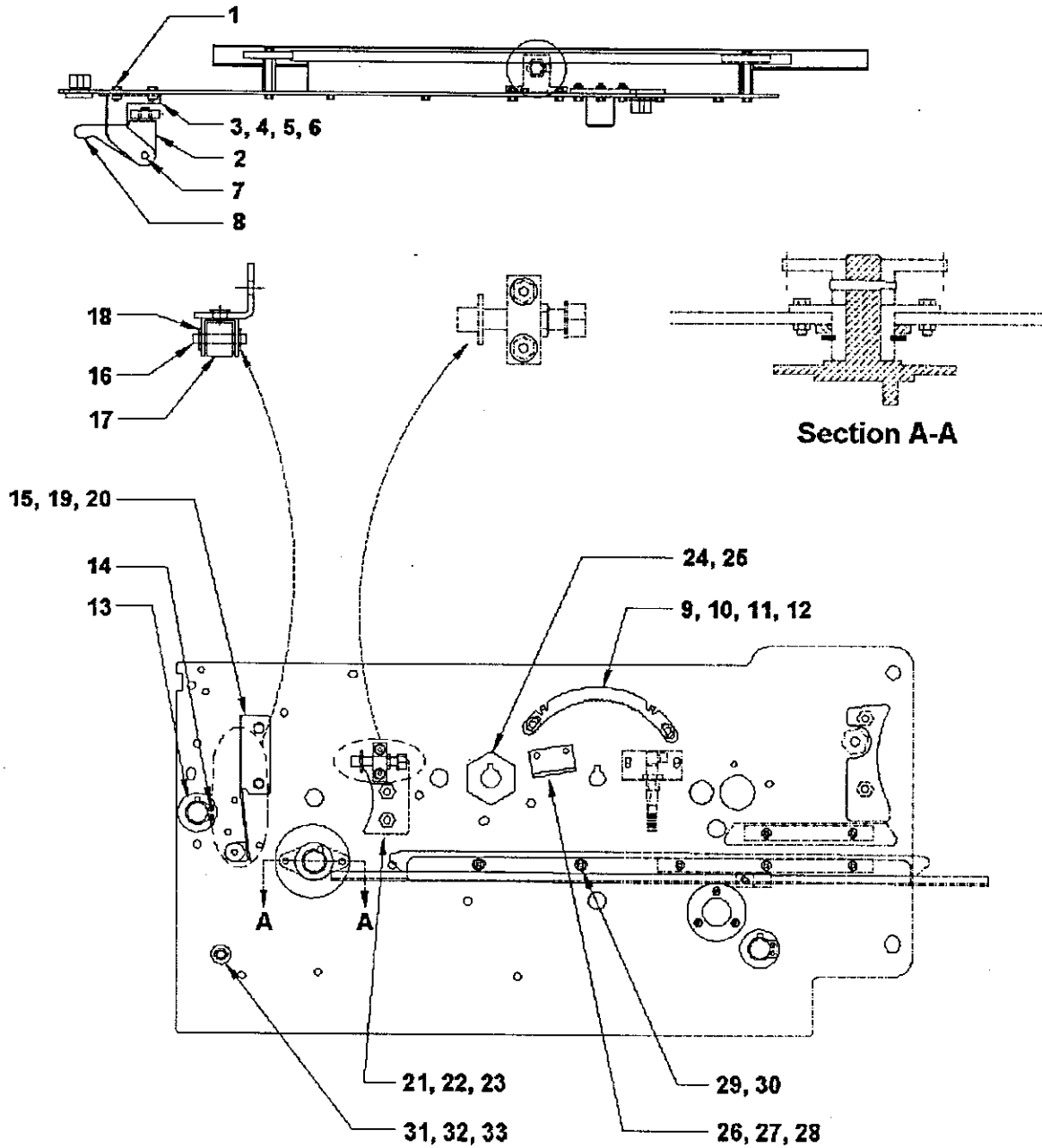


# CHAIN DELIVERY

## CHAIN DELIVERY (NOS FRAME) -- PART 2

<u>FIGURE</u>	<u>PART NUMBER</u>	<u>DESCRIPTION</u>	<u>UNITS PER ASSEMBLY</u>
1	081527	CHAIN TENSION	1
2	150083	NUT -- lock, 10-32	2
3	001260	SCREW -- 10-32 x 1 1/4"	2
4	081528	SCREW -- adjustment, special	1
5	001840	NUT -- 5/16-18	1
6	023044	ACTIVATOR ASSEMBLY	1
7	021203	WASHER -- .254 i.d., .500 o.d.	2
8	006675	WASHER -- .253 i.d., .500 o.d.	2
9	001060	RETAINING RING	2
10	087756	PLATE	1
11	001220	SCREW -- 10-32 x 3/8"	2
12	006675	CHANNEL -- washer	2
13	022621	WASHER -- .197 i.d., .500 o.d.	2
14	172893	CHAIN DELIVERY FULL SWITCH ASSEMBLY	1
15	196330	SHIELD -- terminal	1
16	110002	SCREW -- 2-56 x 5/16"	2
17	100137	NUT -- hex, 2-56	2
18	172305	GUARD -- chain	1
19	017622	STAND OFF	2
20	111069	SCREW -- 1/4-28 x 3/8"	2
21	172649	STUD ECCENTRIC CARRIER	1
22	172639	SUPPORT -- lower track	1
23	111055	SCREW -- 10-32 x 5/8"	2
24	172638	SUPPORT -- lower track	1
25	111055	SCREW -- 10-32 x 5/8"	3
26	173624	TRACK -- top/bottom	1
27	173625	TRACK -- top/bottom	1
28	172309	GUTTER ASSEMBLY	1
29	111055	SCREW -- 10-32 x 5/8"	7
30	081107	CLIP -- spring	1
31	150083	NUT -- lock, 10-32	1
32	111055	SCREW -- 10-32 x 5/8"	1

# CHAIN DELIVERY

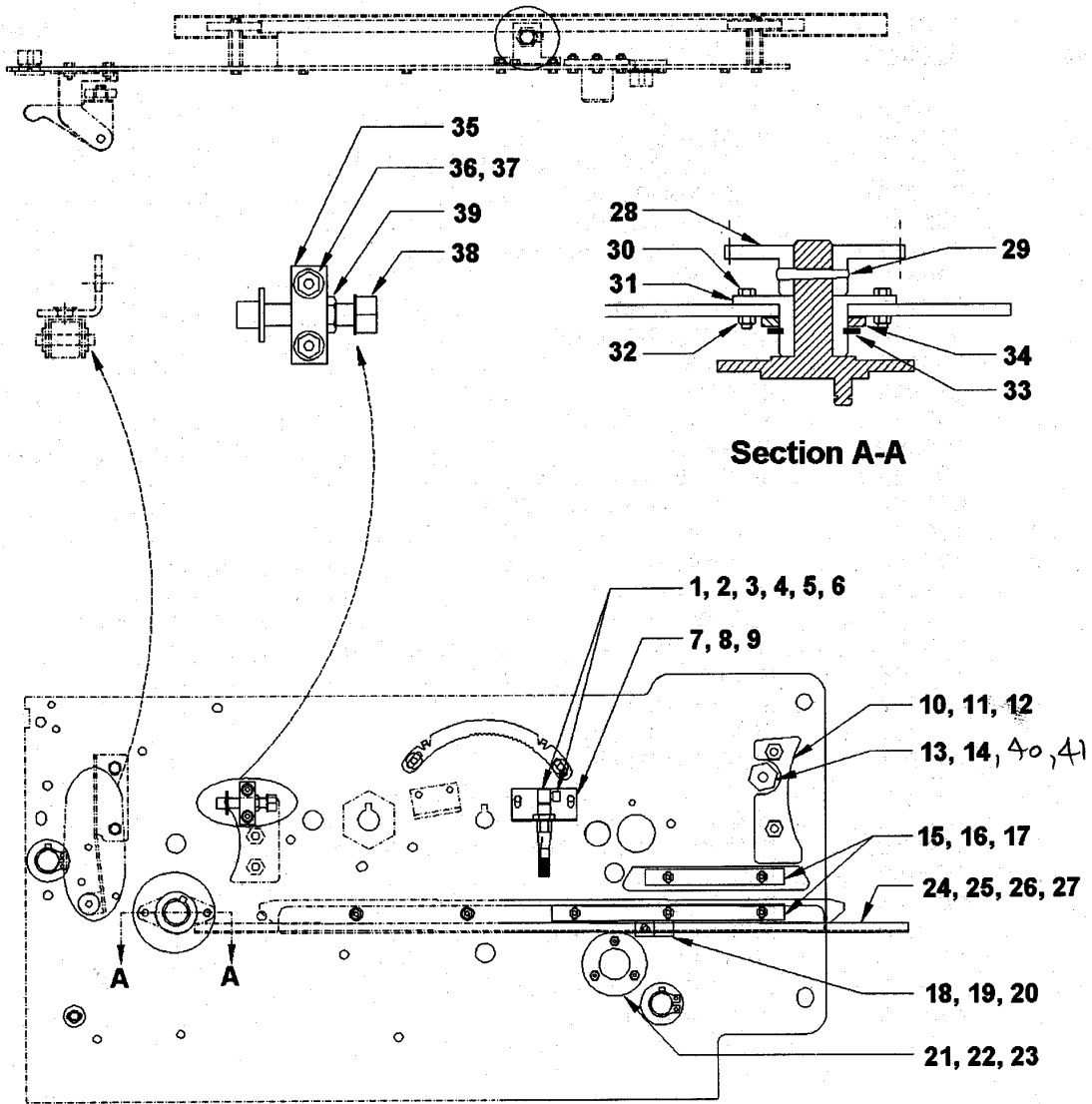


# CHAIN DELIVERY

## CHAIN DELIVERY (OS FRAME) -- PART 1

<u>FIGURE</u>	<u>PART NUMBER</u>	<u>DESCRIPTION</u>	<u>UNITS PER ASSEMBLY</u>
1	111052	SCREW	2
2	016456	JOGGER ARM	1
3	016458	PIVOT SUPPORT ASSEMBLY	1
4	001095	RETAINING RING	1
5	001060	RETAINING RING	2
6	016470	JOG ROLL ASSEMBLY	1
7	196453	SHAFT	1
8	016471	LEVER ARM	1
9	081604	CONTROL RATCHET	1
10	196403	SPACER	2
11	111058	SCREW	2
12	150083	NUT -- lock, 10-32	2
13	196397	BUSHING	2
14	101938	RING -- bowed	2
15	016480	SPRING ARM ASSEMBLY	1
16	196450	SHAFT	1
17	196449	SPACER	1
18	014514	"E" RING	2
19	111055	SCREW -- 10-32 x 5/8"	2
20	150083	NUT -- lock, 10-32	2
21	172306	GUARD -- chain	1
22	017622	STAND OFF	2
23	111069	SCREW -- 1/4-28 x 3/8"	2
24	400644	HUB ASSEMBLY	1
25	197038	NUT	1
26	172293	BRACKET -- mounting light	1
27	111055	SCREW -- 10-32 x 5/8"	2
28	150083	NUT -- 10-32	2
29	083745	POST -- plastic	2
30	111055	SCREW -- 10-32 x 5/8"	2
31	196454	SPACER	1
32	111060	SCREW -- 10-32 x 1 1/8"	1
33	150083	NUT -- lock, 10-32	1

# CHAIN DELIVERY



# CHAIN DELIVERY

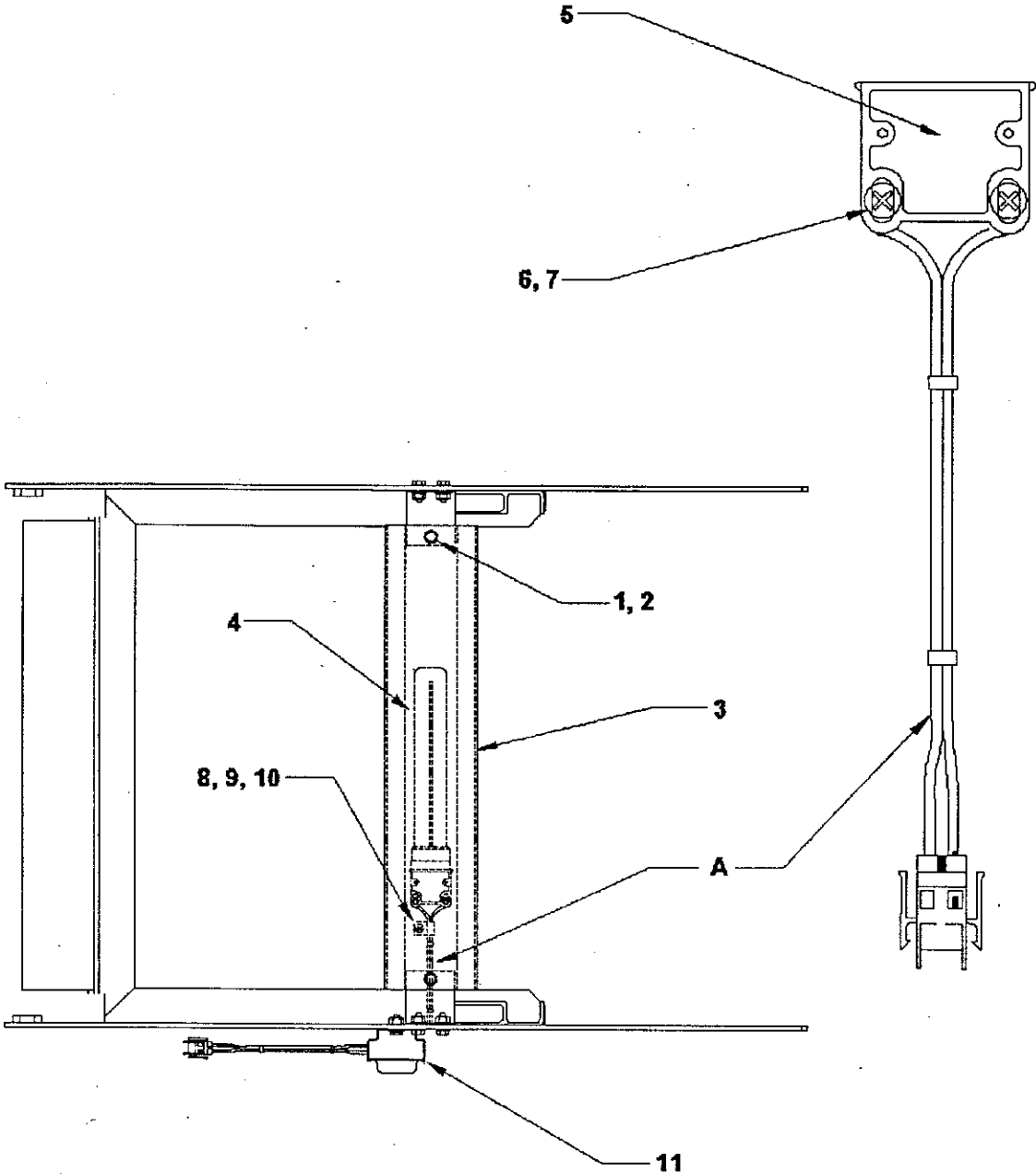
## CHAIN DELIVERY (OS FRAME) -- PART 2

FIGURE	PART NUMBER	DESCRIPTION	UNITS PER ASSEMBLY
1	180498	CONNECTOR -- 90 degree elbow	1
2	173172	METER UNIT -- FSA-8	1
3	180497	SLEEVE -- compression, 5/32	1
4	180492	NUT -- compression, 5/32	1
5	180502	BRUSH ASSEMBLY	1
6	178404	TUBING -- natural, .106 i.d., 5/32" o.d., 11 1/2" (sold 18')	1
7	179928	BRACKET ANGLE	1
8	150083	NUT -- lock, 10-32	2
9	111055	SCREW -- 10-32 x 5/8"	2
10	172305	GUARD CHAIN	1
11	017622	STAND OFF	2
12	111069	SCREW -- 1/4-28 x 3/8"	2
13	<del>173683</del>	SPACER (Hex)	1
14	<del>191786</del>	SCREW -- special	1
15	172639	SUPPORT -- lower track	1
16	172638	SUPPORT -- lower track	1
17	111055	SCREW -- 10-32 x 5/8"	5
18	081107	CLIP -- spring	1
19	150083	NUT -- lock, 10-32	1
20	111055	SCREW -- 10-32 x 5/8"	1
21	016376	BEARING	1
22	111055	SCREW -- 10-32 x 5/8"	3
23	150083	NUT -- lock, 10-32	3
24	173624	TRACK -- top/bottom	1
25	111055	SCREW -- 10-32 x 5/8"	7
26	173625	TRACK -- top/bottom	1
27	172309	GUTTER ASSEMBLY	1
28	016472	CAM -- crank arm	1
29	001956	PIN -- taper	1
30	111055	SCREW -- 10-32 x 5/8"	2
31	016441	BEARING	1
32	150083	NUT -- lock, 10-32	2
33	001076	RETAINING RING	1
34	016398	LEVER	1
35	081527	CHAIN TENSION	1
36	150083	NUT -- lock, 10-32	2
37	001260	SCREW -- 10-32 x 1 1/4"	2
38	081528	SCREW -- adjustment	1
39	001840	NUT -- 5/16-18	1

NEW STYLE  
MUST ORDER  
BOTH

40 173752 Down Pin  
41 102378 SET SCREW

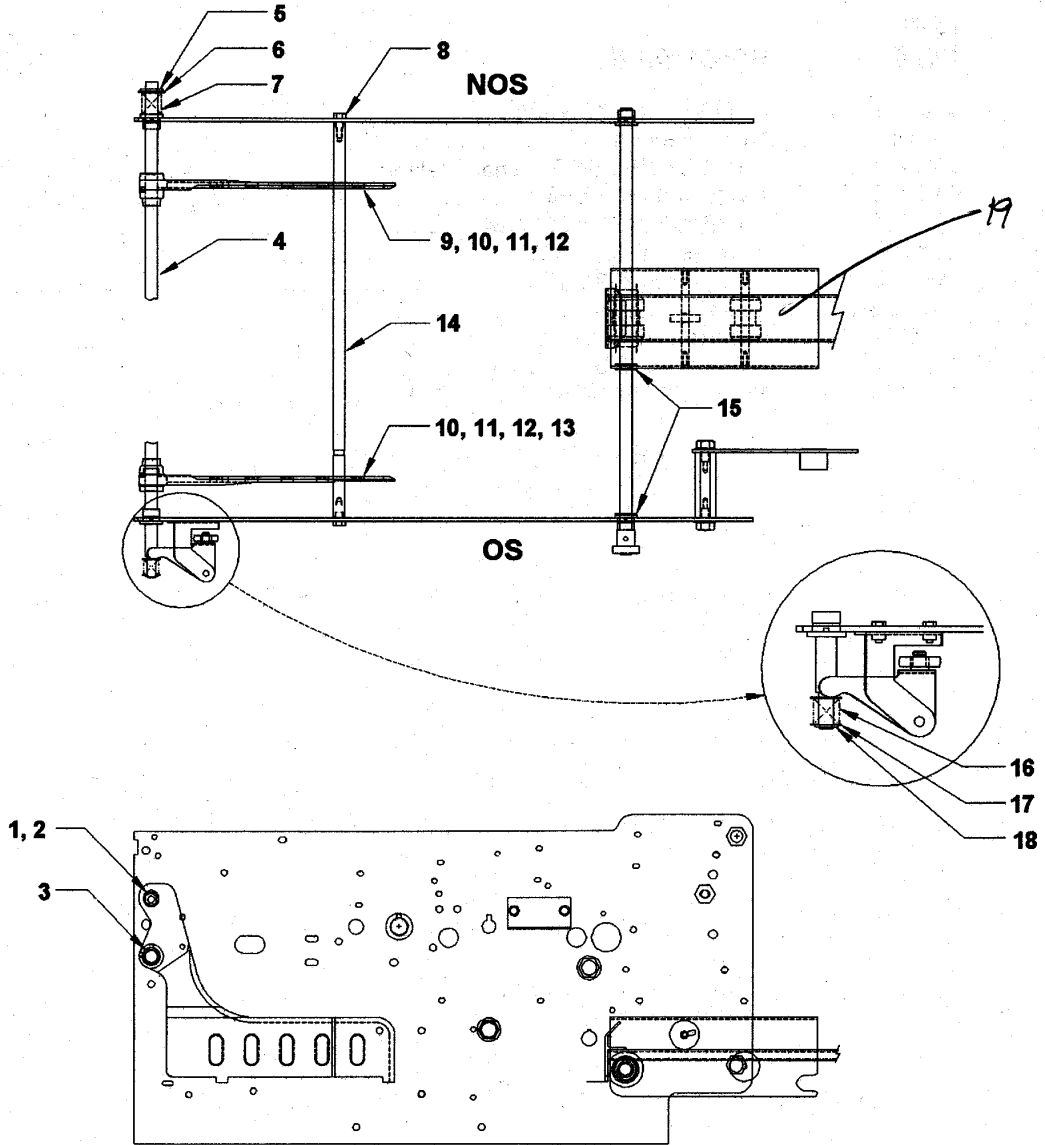
# CHAIN DELIVERY



## WORK LIGHT RETROFIT KIT

<u>FIGURE</u>	<u>PART NUMBER</u>	<u>DESCRIPTION</u>	<u>UNITS PER ASSEMBLY</u>
1	111055	SCREW -- 10-32 x 5/8"	1
2	150083	NUT -- lock, 10-32	2
3	172292	DEFLECTOR LIGHT -- chain delivery	1
4	254377	LAMP -- fluorescent	1
5	172632	LAMP SOCKET ASSEMBLY	1
6	101398	SCREW -- 6/32 x 1/2"	2
7	001805	NUT -- hex, 6-32	2
8	250205	CLAMP -- cable	1
9	101398	SCREW -- 6-32 x 1/2"	1
10	001805	NUT -- hex, 6-32	1
11	172310	BALLAST TRANSFORMER ASSEMBLY	1

# CHAIN DELIVERY



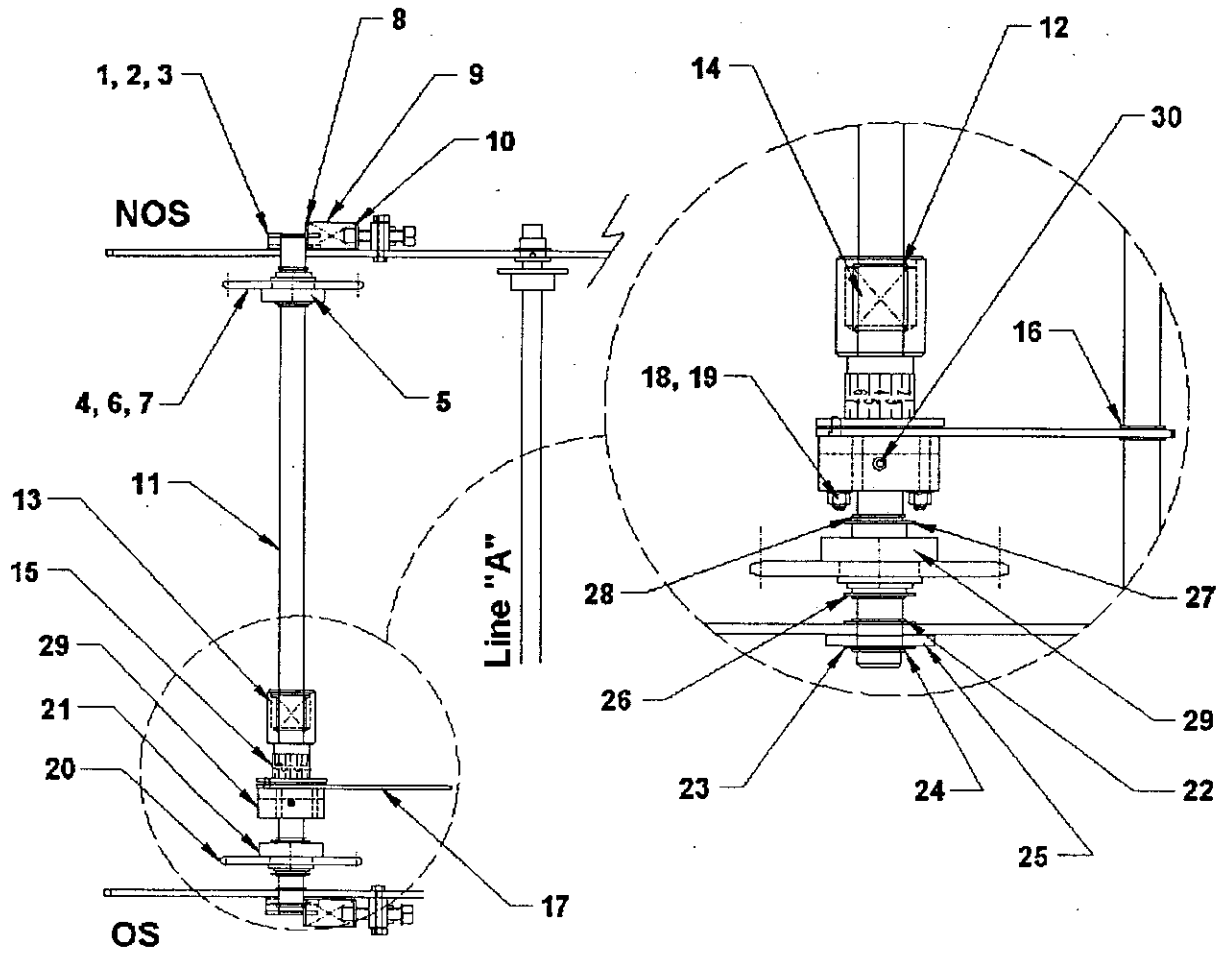


# CHAIN DELIVERY

## CHAIN DELIVERY JOGGER ASSEMBLY

<u>FIGURE</u>	<u>PART NUMBER</u>	<u>DESCRIPTION</u>	<u>UNITS PER ASSEMBLY</u>
1	016466	SHAFT	1
2	081553	SCREW -- dowel	2
3	016452	SHAFT	1
4	016452	SHAFT -- reference only	1
5	001094	RETAINING RING	1
6	014712	WASHER -- .515 i.d., .750 o.d.	1
7	196443	SPRING	1
8	081553	SCREW -- dowel	2
9	172284	SIDE JOGGER -- os	1
10	195401	BUSHING	2
11	101023	RETAINING RING	2
12	401232	KNOB	2
13	172283	SIDE JOGGER -- nos	1
14	172754	TIE BAR -- chain delivery	1
15	100969	"E" RING	1
16	196444	SPRING	1
17	001771	WASHER -- .375 i.d., .875 o.d.	1
18	001080	RETAINING RING	1
19	173255	OUTPUT REFLECTOR	

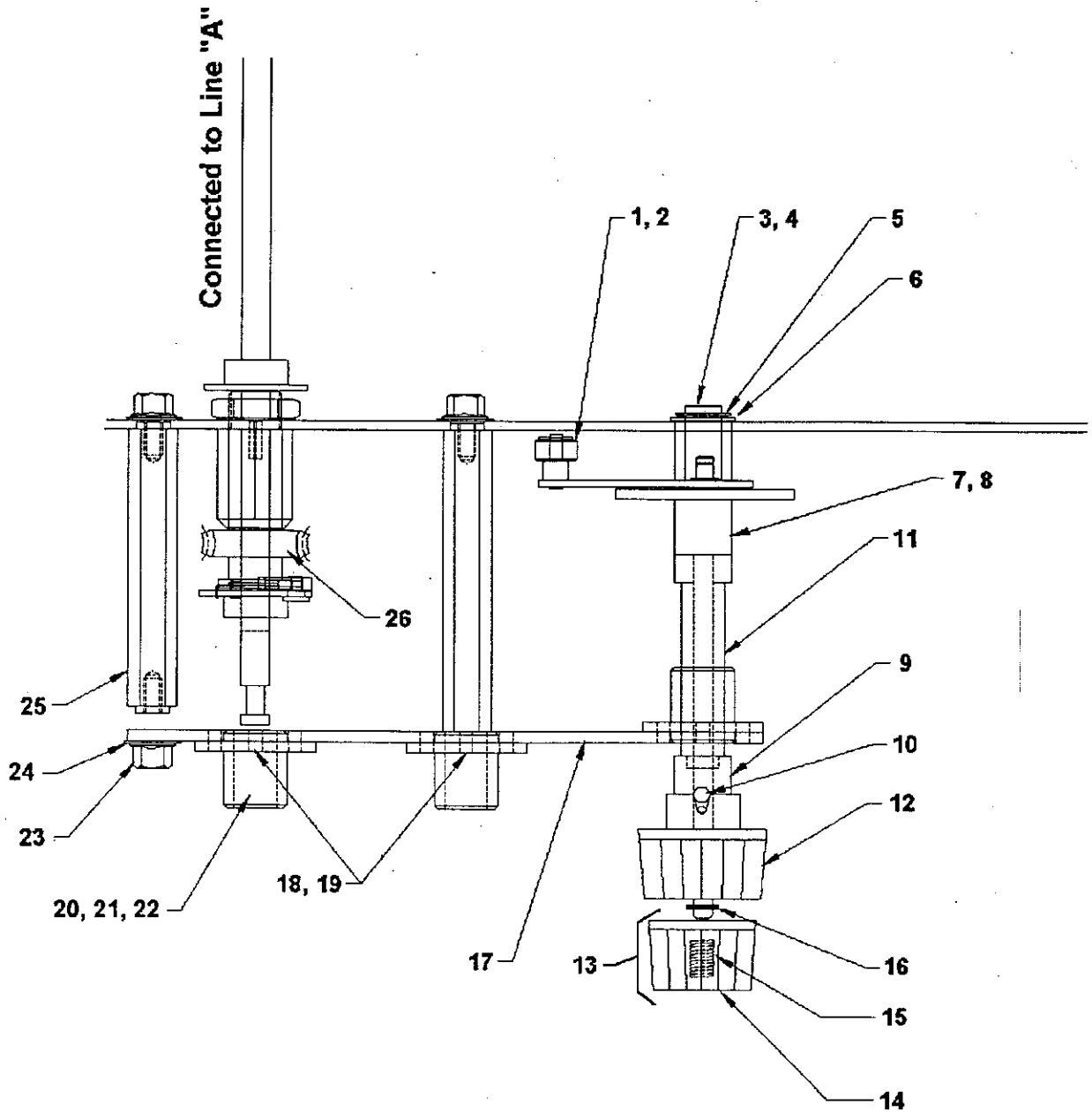
# CHAIN DELIVERY



## SPROCKET SHAFT ASSEMBLY

<u>FIGURE</u>	<u>PART NUMBER</u>	<u>DESCRIPTION</u>	<u>UNITS PER ASSEMBLY</u>
1	016397	LEVER -- tension	1
2	001076	RETAINING RING	1
3	196410	STUD -- pivot	1
4	172767	SPROCKET ASSEMBLY -- nos	1
5	195236	BEARING	1
6	001784	RING -- snap	1
7	172769	WASHER -- special	1
8	190157	SPACER	2
9	081836	SPRING	2
10	081623	RETAINER -- spring	2
11	172762	SHAFT -- idler	1
12	001784	RING -- snap	1
13	173334	RELEASE CAM ASSEMBLY	1
14	190220	SPRING	1
15	197422	WASHER -- .636 i.d., .862 o.d.	1
16	001094	RETAINING RING	2
17	172647	ARM -- roller guide	1
18	100716	NUT -- lock	2
19	102261	SCREW -- 6-32 x 7/8"	2
20	172766	SPROCKET ASSEMBLY	1
21	195236	BEARING	1
22	014761	WASHER -- .628 i.d., 1.000 o.d.	1
23	014761	WASHER -- .628 i.d., 1.000 o.d.	1
24	001784	RING -- snap	1
25	016398	LEVER -- tension	1
26	172769	WASHER -- special	1
27	172769	WASHER -- special	1
28	001784	RING -- snap	1
29	172646	HUB ASSEMBLY	1
30	014247	SCREW -- set, 10-32 x 1/4"	1

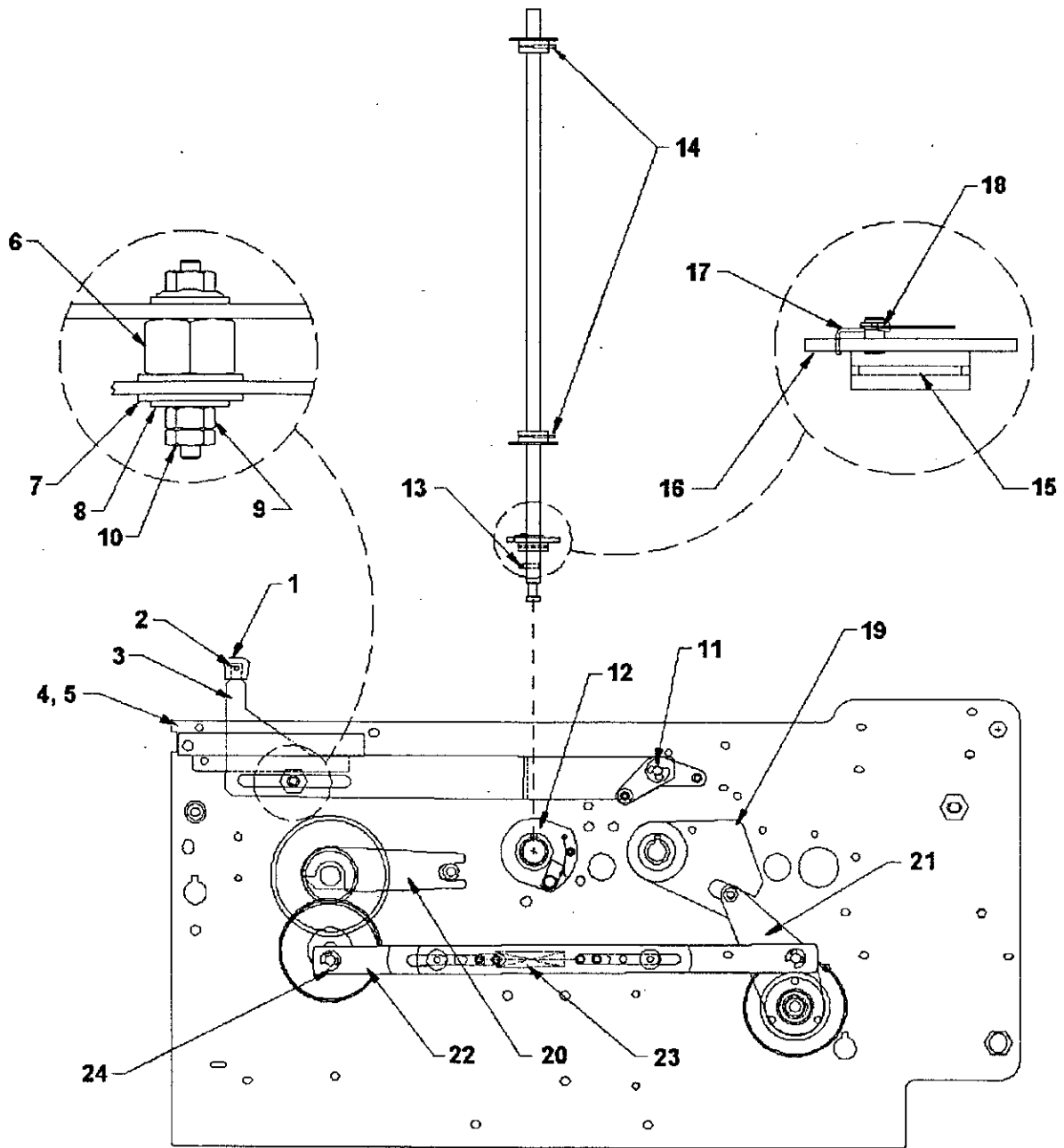
# CHAIN DELIVERY



## BACK JOGGER ADJUSTING SHAFT

<u>FIGURE</u>	<u>PART NUMBER</u>	<u>DESCRIPTION</u>	<u>UNITS PER ASSEMBLY</u>
1	054350	ROLLER	1
2	001049	RETAINING RING	1
3	179578	LEVER ASSEMBLY	1
4	081597	PAD -- friction	1
5	014510	"E" RING	1
6	081789	SPACER	1
7	179581	GEAR AND HUB ASSEMBLY	1
8	081597	PAD -- friction	1
9	179585	CRANK -- extension	1
10	101063	PIN -- roll	1
11	179584	EXTENSION	1
12	017582	KNOB -- gear adjustment	1
13	016933	KNOB ASSEMBLY	1
14	017583	KNOB -- jogger adjustment	1
15	101916	INSERT	1
16	016574	WASHER -- .315 i.d., .687 o.d.	1
17	172288	PLATE -- mounting	1
18	111057	SCREW -- 10-32 x 3/4"	2
19	075443	CLAMP -- tube	2
20	173548	BUSHING	3
21	111055	SCREW -- 10-32 x 5/8"	7
22	150083	NUT -- lock, 10-32	9
23	111089	SCREW -- 10-32	6
24	025205	WASHER -- .328 i.d., 1.000 o.d.	6
25	179575	STAND OFF	3
26	016412	WORM GEAR ASSEMBLY	1

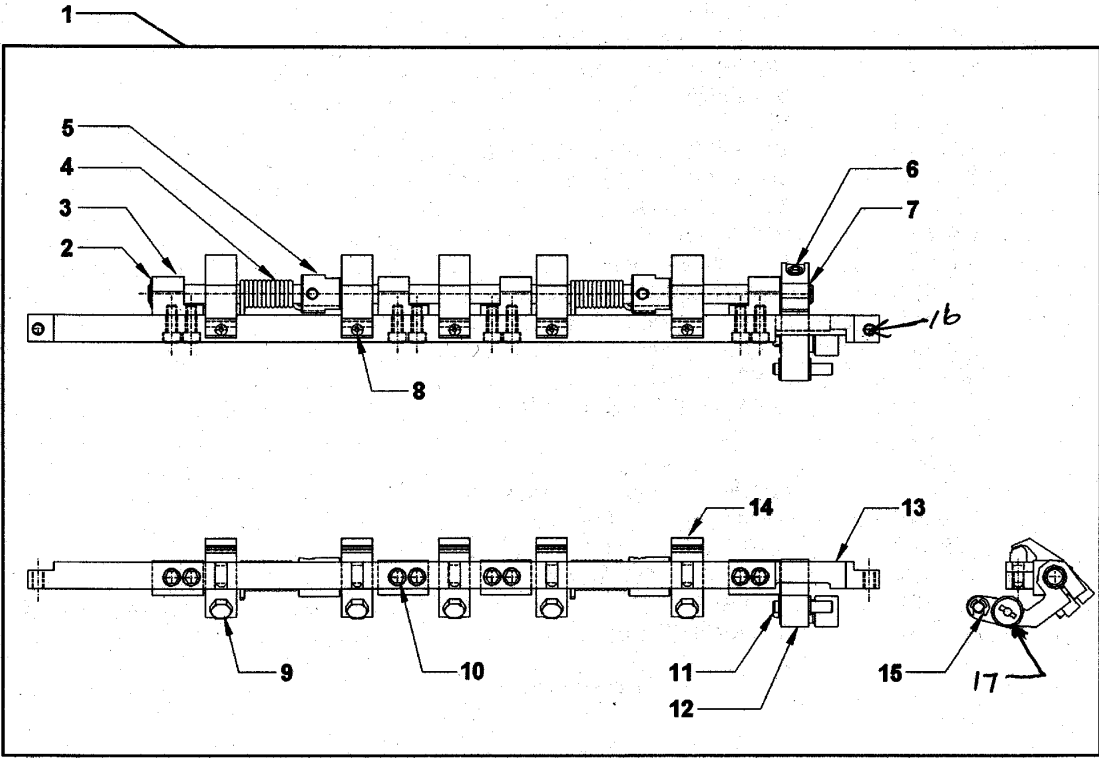
# CHAIN DELIVERY



## JOGGER MECHANISM

<u>FIGURE</u>	<u>PART NUMBER</u>	<u>DESCRIPTION</u>	<u>UNITS PER ASSEMBLY</u>
1	016921	KNOB	1
2	001552	SCREW -- 8-32 x 3/8"	1
3	172325	LEVER -- chain delivery control	1
4	173065	FILLER GUIDE -- os	1
5	001649	SEMS UNIT	2
6	178999	STUD	1
7	197206	WASHER -- nylon, .388 i.d., .812 o.d.	2
8	195837	WASHER -- .265 i.d., .749 o.d.	1
9	001818	NUT -- 1/4-28	1
10	150050	NUT -- 1/4-28	1
11	001060	RETAINING RING	1
12	016409	CHAIN SHAFT ASSEMBLY	1
13	101281	PIN -- drive lock	1
14	000014	PIN -- taper	1
15	001983	PIN -- roll	1
16	016410	PAWL MOUNT ASSEMBLY	1
17	081720	SPRING	1
18	014504	RING -- snap	1
19	016477	MOUNT -- pawl, sub-assembly	1
20	172647	ARM -- roller guide	1
21	179578	LEVER ASSEMBLY	1
22	016494	D.R. LINK ASSEMBLY	1
23	196405	SPRING	2
24	001095	RETAINING RING	2

# CHAIN DELIVERY





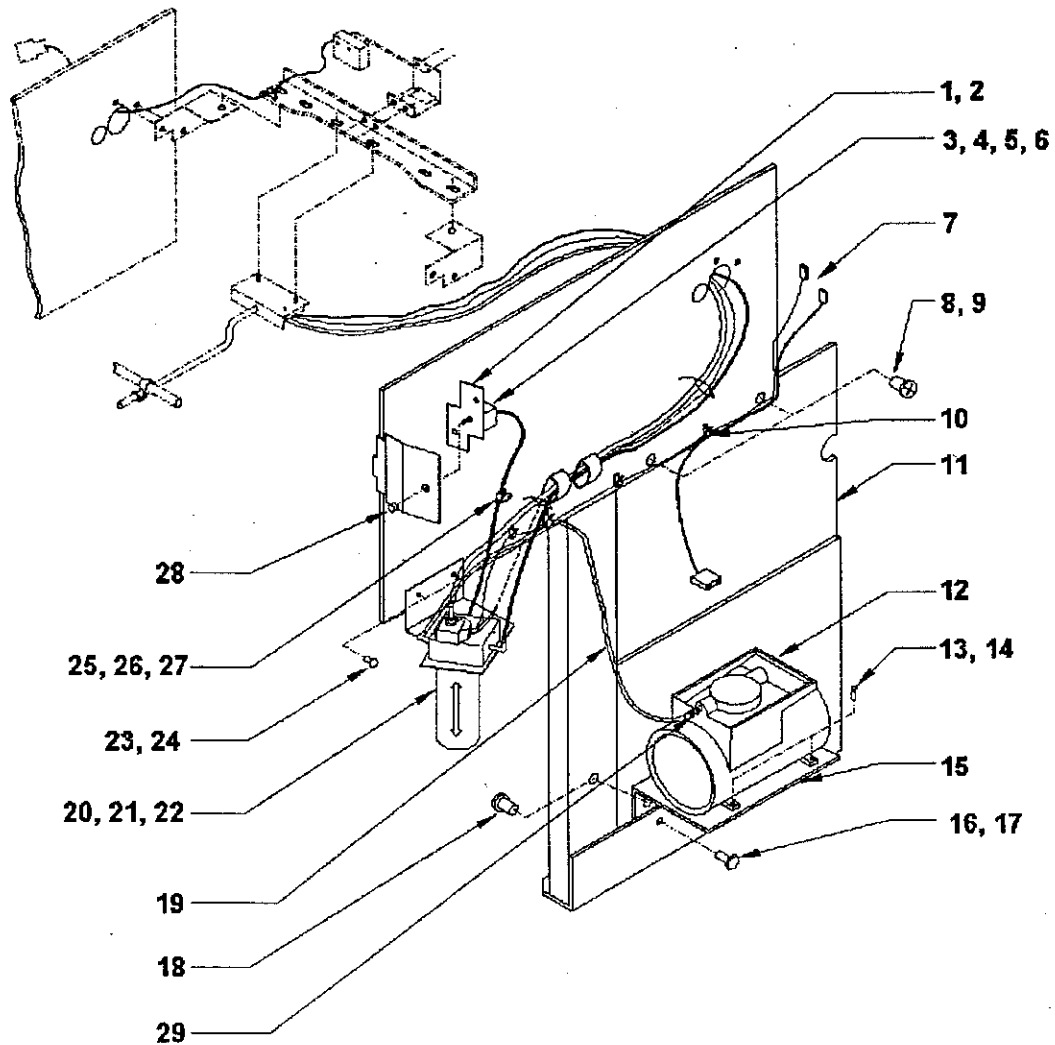
# CHAIN DELIVERY

## GRIPPER BAR

<u>FIGURE</u>	<u>PART NUMBER</u>	<u>DESCRIPTION</u>	<u>UNITS PER ASSEMBLY</u>
1	<del>13005</del> 180651	CHAIN DELIVERY GRIPPER ASSEMBLY	1
2	001046	RETAINING RING	1
3	081764	BEARING	4
4	172061	SPRING -- gripper	2
5	172060	COLLAR -- spring	2
6	014164	SCREW -- 8-32 x 7/16"	1
7	172742	SHAFT -- gripper	1
8	001650	SCREW -- set	2
9	014190	SCREW -- 10-32 x 1/2"	5
10	014164	SCREW -- 8-32 x 7/16"	8
11	080564	PIN	1
12	172302	LEVER ASSEMBLY -- chain delivery gripper	1
13	172744	GRIPPER BAR ASSEMBLY	1
14	<del>181986</del> <del>181987</del> <del>181988</del>	GRIPPER FINGER PAD ASSEMBLY	5
15	014504	RING -- snap	2
16	100976	LOCK BOLT	6
17	102516	ROLLER BEARING	3

# CHAIN DELIVERY

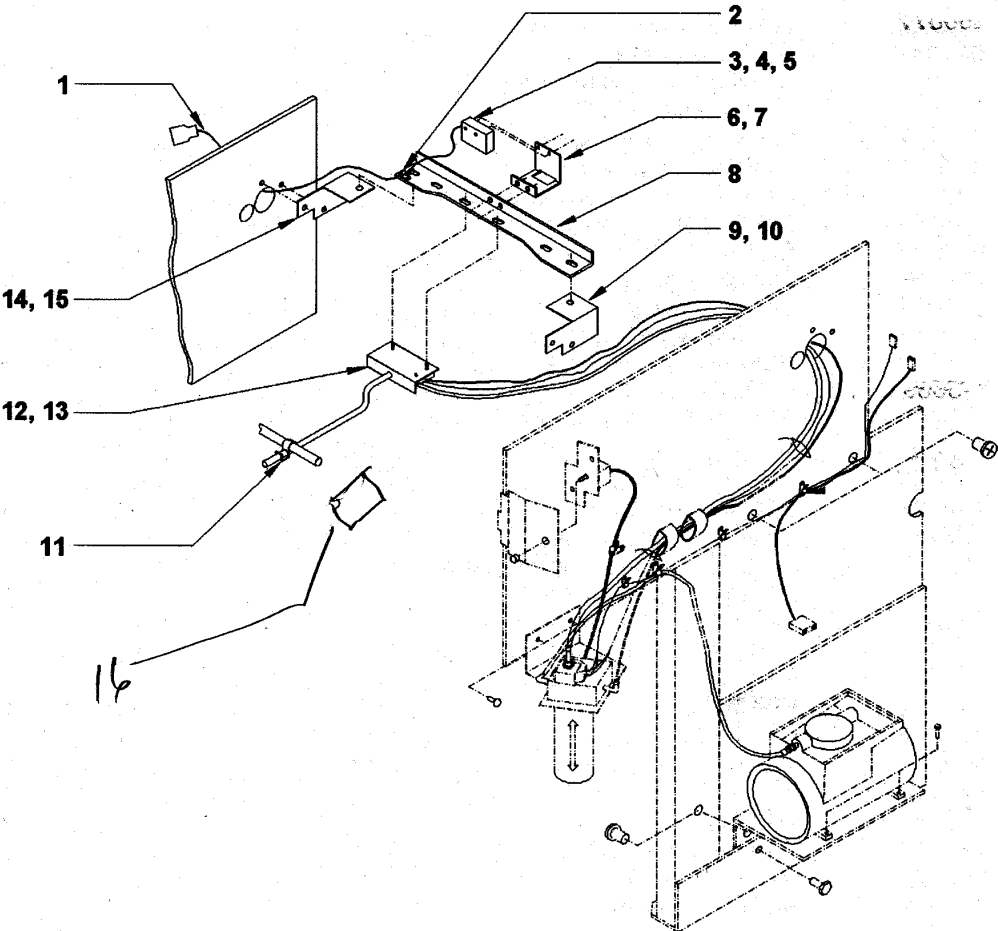
---



## POWDER SPRAY ASSEMBLY -- PART 1

<u>FIGURE</u>	<u>PART NUMBER</u>	<u>DESCRIPTION</u>	<u>UNITS PER ASSEMBLY</u>
1	173245	FLANGE -- powder spray	1
2	001049	RETAINING RING	1
3	173251	HOUSING -- powder spray	1
4	150083	NUT -- lock, 10-32	2
5	173252	SHAFT -- powder spray	1
6	014187	SCREW -- 8-32 x 3/8"	2
7	172985	HARNESS -- powder spray	1
8	001649	SEMS UNIT -- 10-32 x 1/2"	2
9	001812	NUT -- 10-32	2
10	250356	CLAMP -- cable	2
11	173075	PANEL -- inside	1
12	173254	COMPRESSOR ASSEMBLY	1
13	111057	SCREW -- 10-32 x 3/4"	4
14	022621	WASHER -- .197 i.d., .500 o.d.	4
15	172634	BRACKET -- compressor	1
16	111099	SCREW -- 3/8-24 x 7/8"	2
17	150089	NUT -- 3/8-24	2
18	102157	SCREW -- 10-32 x 3/8"	2
19	197420	TUBE -- powder spray	1
20	001731	WASHER -- lock, .250 i.d., .485 o.d.	2
21	001640	SCREW -- 1/4-20 x 5/8"	2
22	173250	SPRAY HEAD -- manifold	1
23	111054	SCREW -- 10-32 x 1/2"	2
24	173249	BRACKET -- manifold	1
25	001812	NUT -- 10-32	2
26	001649	SEMS UNIT -- 10-32 x 1/2"	2
27	250098	CLAMP -- cable	2
28	180472	KNOB	1
29	101537	FITTING	1
30	173256	BUSHING -- flexible shaft	1
31	250077	STAY STRAP	2
32	010076	SHAFT -- flexible	1

# CHAIN DELIVERY

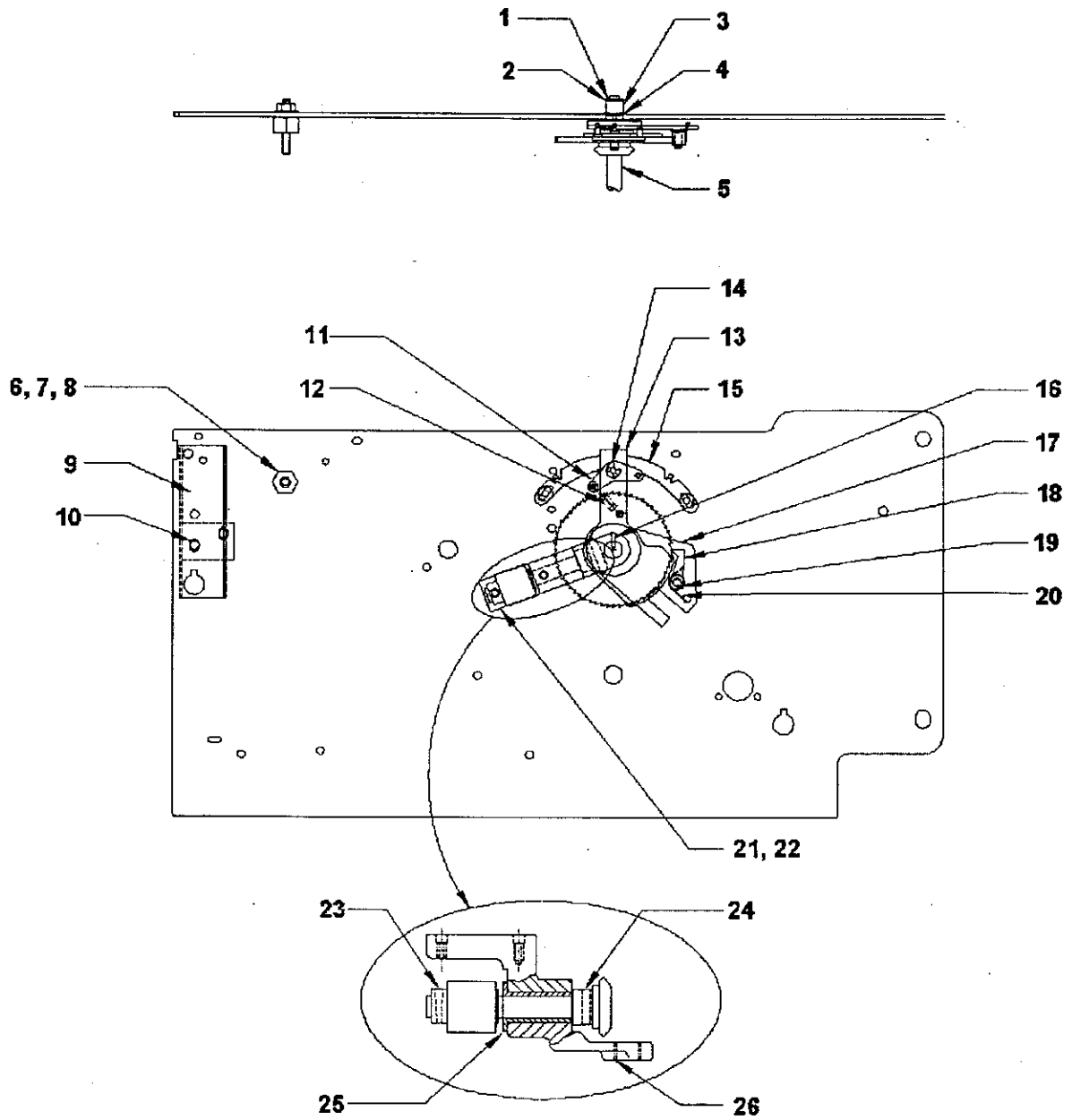


# CHAIN DELIVERY

## POWDER SPRAY ASSEMBLY -- PART 2

<u>FIGURE</u>	<u>PART NUMBER</u>	<u>DESCRIPTION</u>	<u>UNITS PER ASSEMBLY</u>
1	250077	STAY STRAP	1
2	250356	CLAMP -- cable	1
3	173096	PHOTOSENSOR ASSEMBLY -- jam	1
4	100204	SCREW -- 4-40 x 3/4"	2
5	100115	NUT -- 4-40	2
6	173094	BRACKET ASSEMBLY -- sensor	1
7	111052	SCREW -- 10-32 x 3/8"	2
8	173093	PLATE -- support, photosensor	1
9	173091	BRACKET ASSEMBLY -- powder spray, nos	1
10	111052	SCREW -- 10-32 x 3/8"	3
11	172717	SPRING -- hold down	1
12	173250	SPRAY HEAD -- manifold	1
13	101051	NUT -- 10-32	2
14	173089	BRACKET ASSEMBLY -- powder spray, os	1
15	111052	SCREW -- 10-32 x 3/8"	3
16	173255	OUTPUT REFLECTOR	

# CHAIN DELIVERY

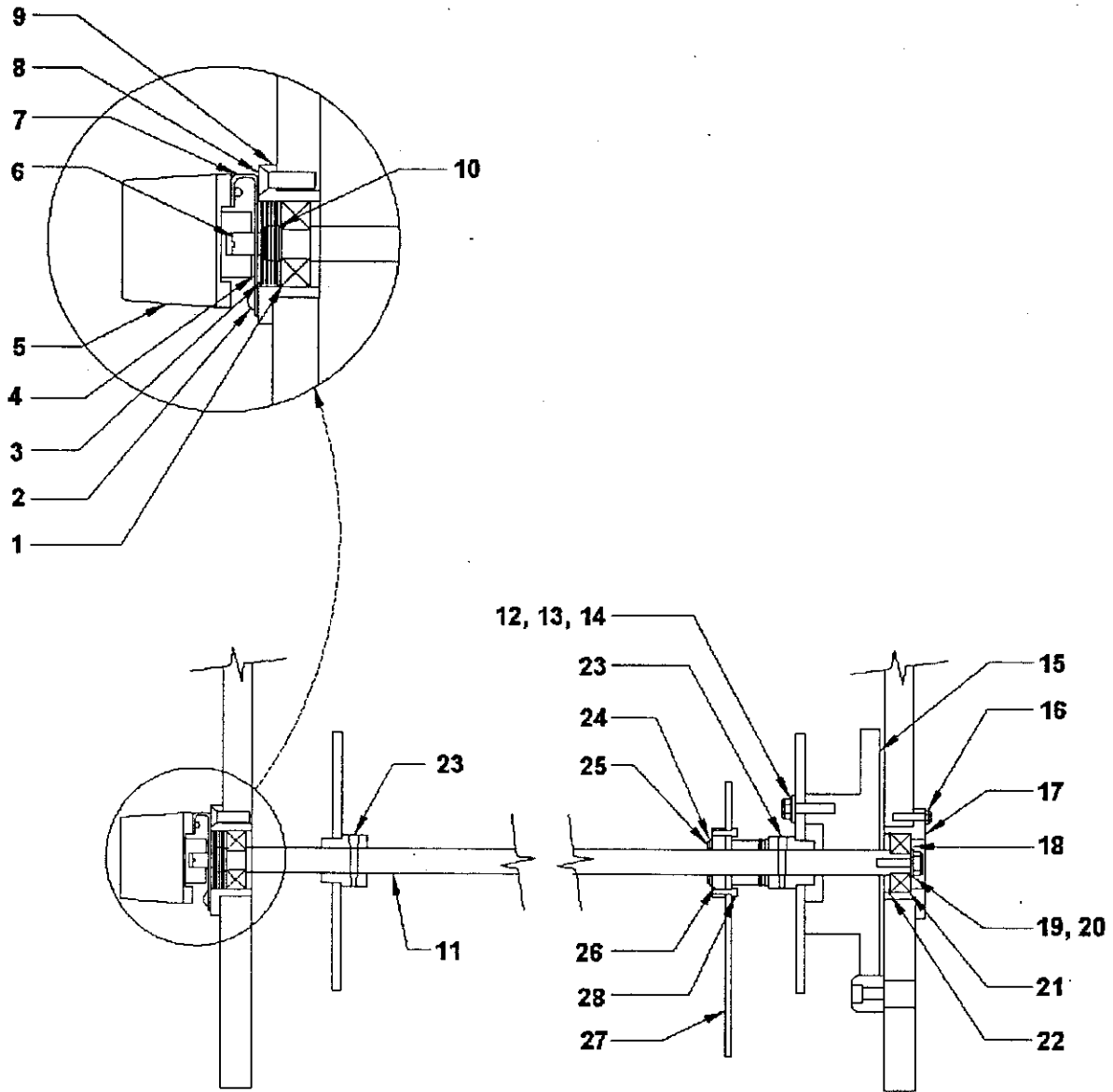


# CHAIN DELIVERY

## CHAIN DELIVERY RATCHET AND WORM GEAR

<u>FIGURE</u>	<u>PART NUMBER</u>	<u>DESCRIPTION</u>	<u>UNITS PER ASSEMBLY</u>
1	001047	RING -- snap	1
2	001755	WASHER	2
3	196402	BUSHING	3
4	014461	RETAINING RING -- #4	1
5	016481	CRANK SHAFT ASSEMBLY	1
6	150085	NUT -- lock, 1/4-28	1
7	178999	STUD	1
8	195837	WASHER -- .265 i.d., .749 o.d.	1
9	173248	BRACKET ASSEMBLY	1
10	111055	SCREW -- 10-32 x 5/8"	2
11	081575	LEVER ASSEMBLY	1
12	021369	SPRING	1
13	179567	LEVER SUB-ASSEMBLY	1
14	001095	RETAINING RING	1
15	081604	CONTROL RATCHET -- reference only	1
16	081609	CRANK -- <del>SCREW</del> <i>DOWEL</i>	1
17	016477	PAWL MOUNT SUB-ASSEMBLY	1
18	081567	PAWL	1
19	001049	RETAINING RING	1
20	081833	SPRING -- pawl	1
21	016415	WORM AND MOUNT ASSEMBLY	1
22	081553	SCREW -- dowel	2
23	001920	PIN -- taper	1
24	001981	PIN -- roll	1
25	196398	BEARING -- flange	1
26	001432	BEARING	1

# CHAIN DELIVERY



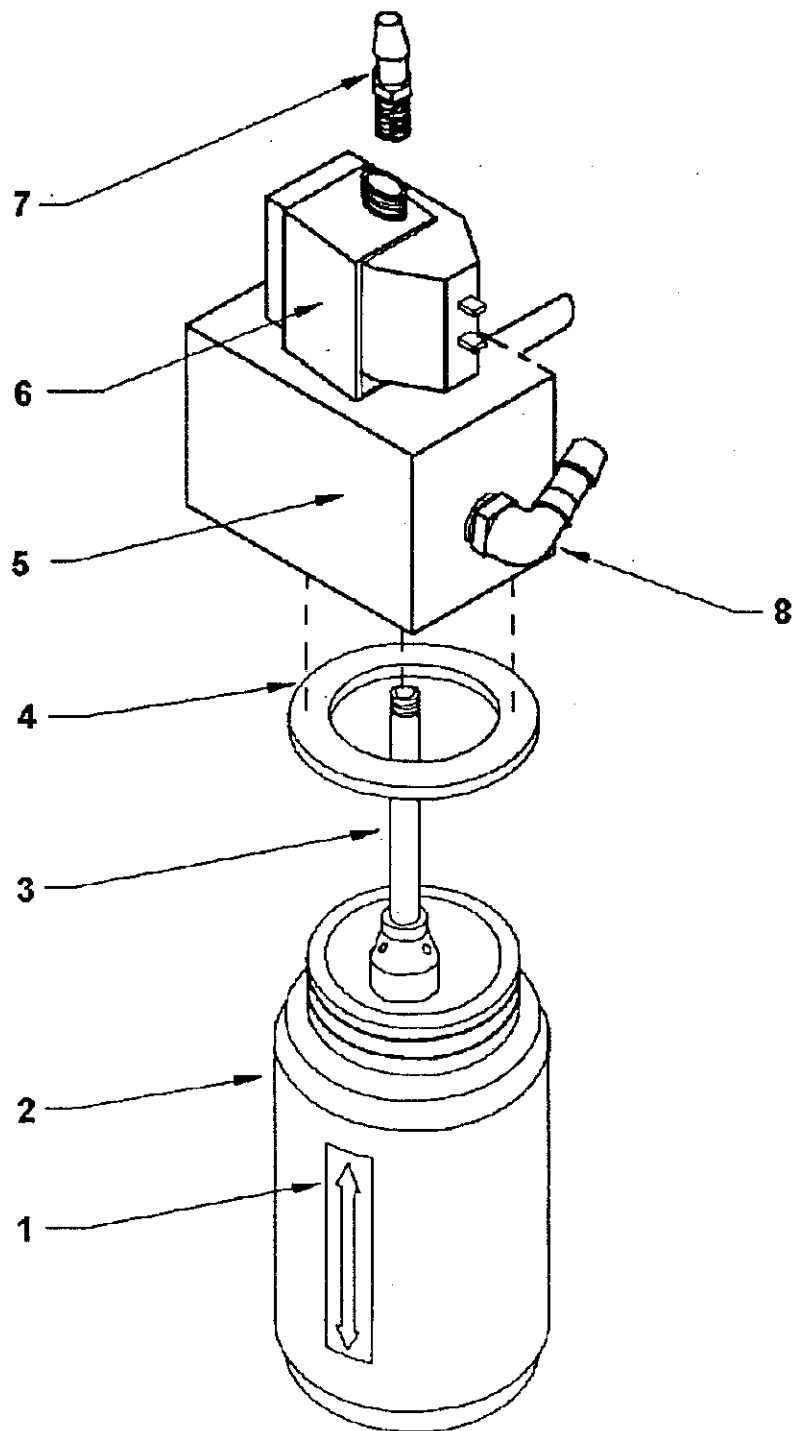


## CHAIN DELIVERY SPROCKET ASSEMBLY

<u>FIGURE</u>	<u>PART NUMBER</u>	<u>DESCRIPTION</u>	<u>UNITS PER ASSEMBLY</u>
1	173645	WASHER	3
2	001688	SCREW -- sems	1
3	173661	SPRING -- wave	1
4	173668	RETAINER -- spring	1
5	179637	ENCODER ASSEMBLY	1
6	172755	ENCODER -- chain delivery shaft	1
7	172756	BRACKET -- encoder	1
8	111076	SCREW -- hex washer	3
9	172753	HOUSING -- bearing, chain delivery	1
10	014712	WASHER	3
11	172752	DRIVE SHAFT AND SPROCKET ASSEMBLY	1
12	100609	SCREW	3
13	001731	WASHER -- lock	3
14	005620	WASHER	3
15	172740	SPUR GEAR	1
16	100806	SCREW -- socket head	1
17	172753	HOUSING -- bearing, chain delivery	1
18	102238	BALL BEARING	1
19	196955	WASHER	1
20	102254	SCREW -- 5/16-24	1
21	001065	RETAINING RING	1
22	102250	RETAINING RING -- black	1
23	102249	PIN -- taper	2
24	196850	WASHER -- thrust	1
25	001786	RETAINING RING	1
26	172758	HUB	1
27	172760	CAM -- chain delivery	1
28	014111	SCREW -- 1/4-28 x 5/8"	4

# CHAIN DELIVERY

---



# CHAIN DELIVERY

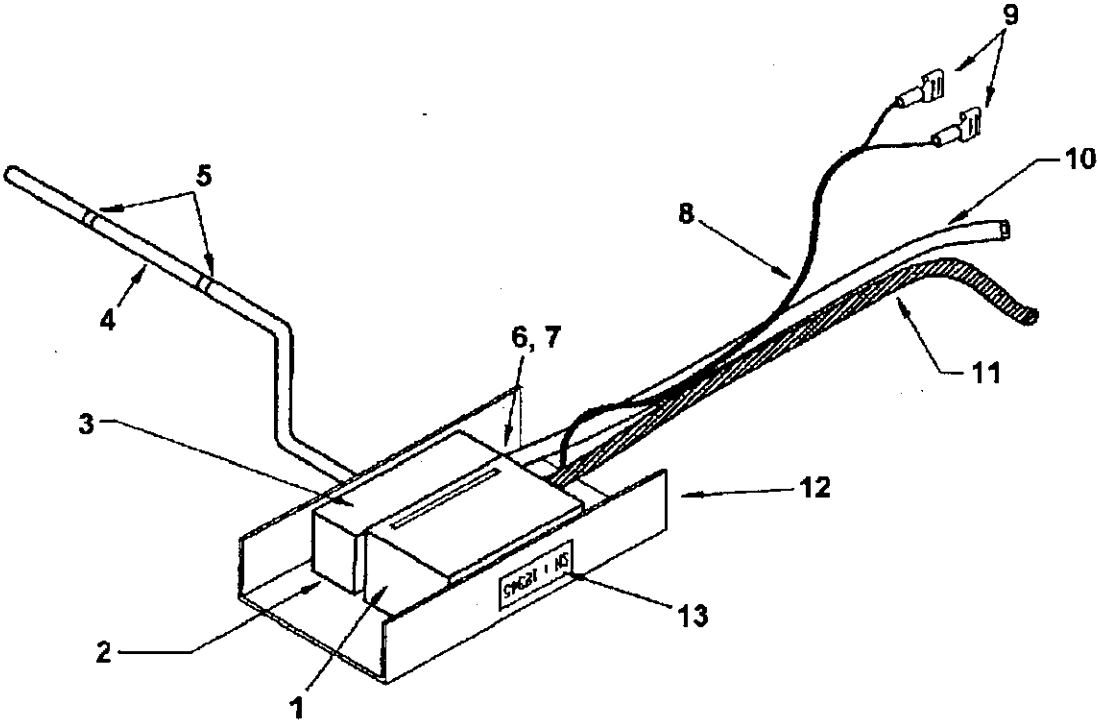
---

## POWDER SPRAY -- POWDER METERING ASSEMBLY

<u>FIGURE</u>	<u>PART NUMBER</u>	<u>DESCRIPTION</u>	<u>UNITS PER ASSEMBLY</u>
1	42423040*	LABEL -- jar	1
2	41-440*	JAR	1
3	I-14T12R*	I-TUBE ASSEMBLY	1
4	167838GA*	GASKET -- jar	1
5	84119103*	MANIFOLD -- tested, limited turn	1
6	78304-9000*	SOLENOID -- 12V DC	1
7	43464410*	ADAPTOR -- tube, 1/16 npt x 1/4"	1
8	62030*	ELBOW -- barbed, 1/8 npt x 1/4"	2

\* Contact Airtech

# CHAIN DELIVERY



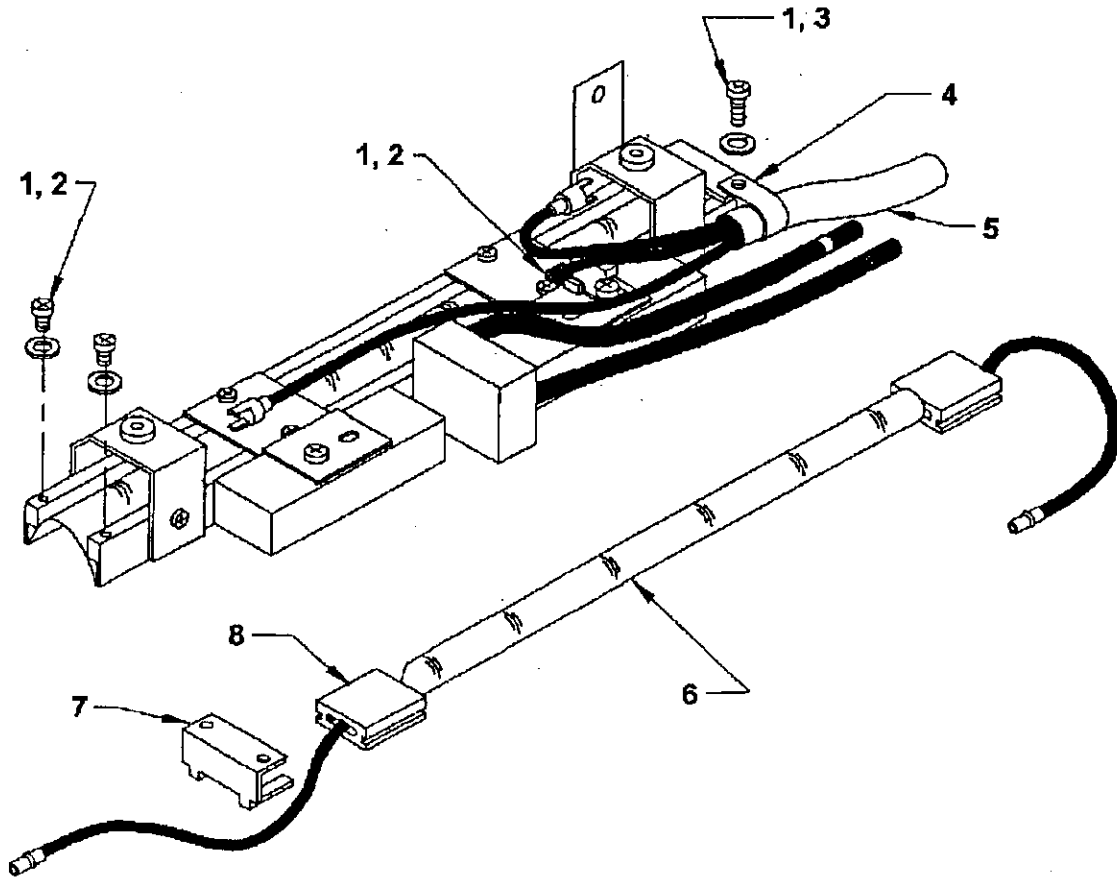
## POWDER SPRAY -- SPRAY BAR ASSEMBLY

<u>FIGURE</u>	<u>PART NUMBER</u>	<u>DESCRIPTION</u>	<u>UNITS PER ASSEMBLY</u>
1	3222003*	SPRAYER -- "B" size, right	1
2	42989001*	TAPE -- VHB	2
3	3116003*	MANIFOLD -- blow down	1
4	3421040A*	TUBE -- blow down	1
5	4209905*	COLLAR -- tube, blow down	2
6	5250-2*	ADAPTOR -- tubing	1
7	UM5006*	CLAMPS -- tubing	2
8	A2323111*	LED WIRE HARNESS ASSEMBLY	1
9	250A*	CONNECTOR -- spade	2
10	14T38*	TUBING -- pvc, 42"	1
11	14ECT38*	TUBING -- natvar, 42"	1
12	21390191*	SHELL -- sb	1
13	42412015*	LABEL -- serial	1

\* Contact Airtech

# CHAIN DELIVERY

---



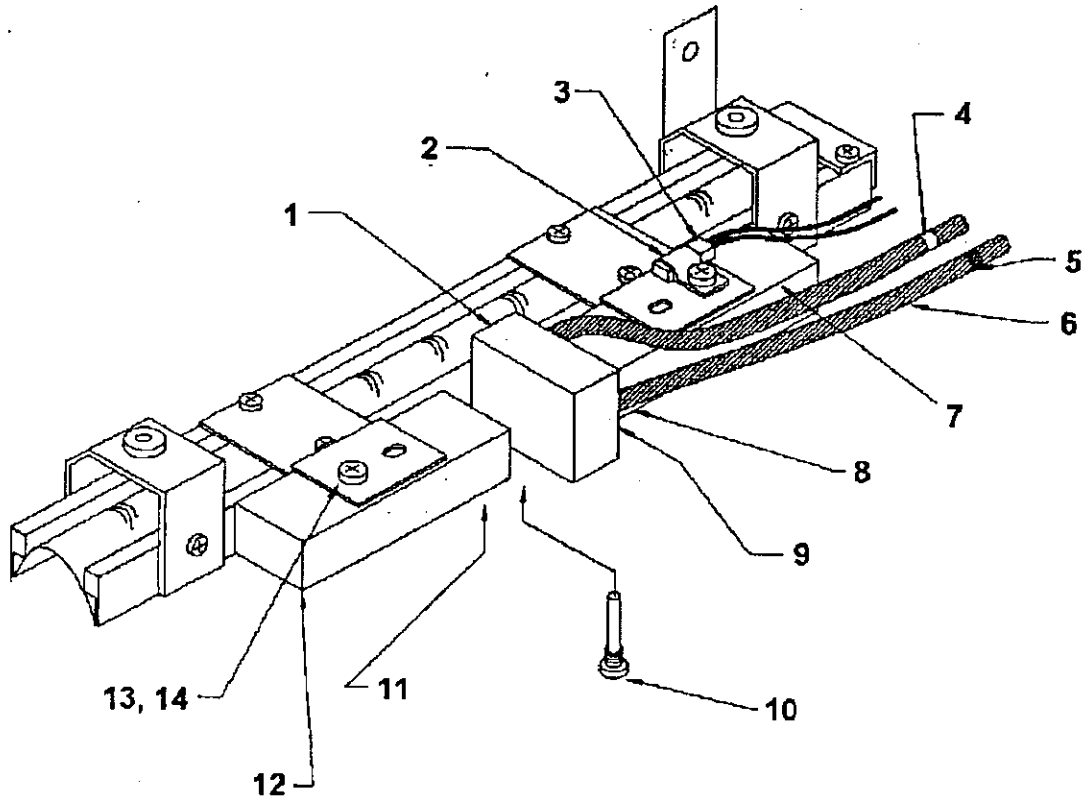
## POWDER SPRAY -- WIRING SUBASSEMBLY

<u>FIGURE</u>	<u>PART NUMBER</u>	<u>DESCRIPTION</u>	<u>UNITS PER ASSEMBLY</u>
1	6LWT*	WASHER -- lock, #6	4
2	632MS14*	SCREW -- 6-32 x 1/4"	3
3	632MS12*	SCREW -- 6-32 x 1/2"	1
4	CW-0805*	CLAMP	1
5	6752620*	POWER CORD -- lamp	1
6	RP-LAMP*	LAMP -- 2000 watt	1
7	2779009*	PLATE --end	1
8	4209909*	LAMP HOLDER -- ceramic	1

\* Contact Airtech

# CHAIN DELIVERY

---





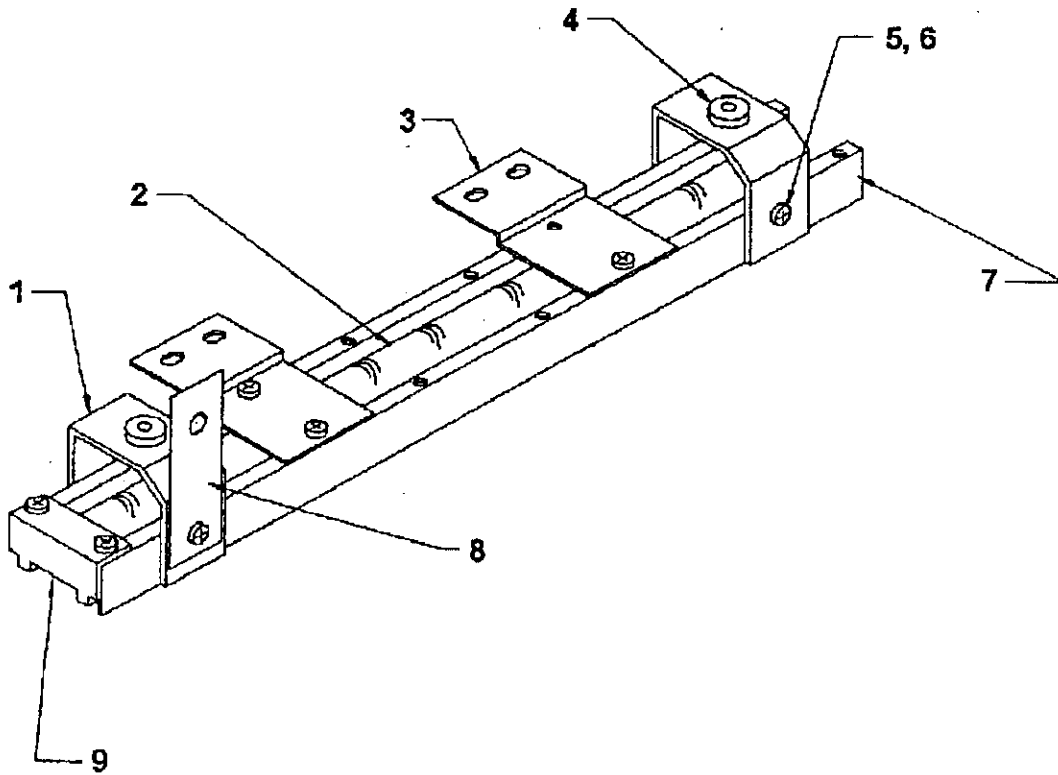
## POWDER SPRAY -- SPRAYER SUBASSEMBLY

<u>FIGURE</u>	<u>PART NUMBER</u>	<u>DESCRIPTION</u>	<u>UNITS PER ASSEMBLY</u>
1	3165014*	MANIFOLD	1
2	CH-0407*	CLAMP -- half	1
3	6785319*	RESET -- thermal	1
4	IRWL-WHITE*	LABEL -- wire	1
5	IRWL-BLUE*	LABEL -- wire	1
6	14T38-FL*	TUBING -- flouran	2
7	3231006*	SPRAYER	1
8	UM5006*	CLAMP (hidden)	2
9	5250-2*	ADAPTOR -- tubing (hidden)	2
10	3386007*	EQUALIZER -- powder	1
11	3451002*	TUBE -- connector (hidden)	2
12	3221005*	SPRAYER	1
13	032MS12*	SCREW -- 10-32 x 1/2"	2
14	10LWT*	WASHER -- lock, #10	2

\* Contact Airtech

# CHAIN DELIVERY

---



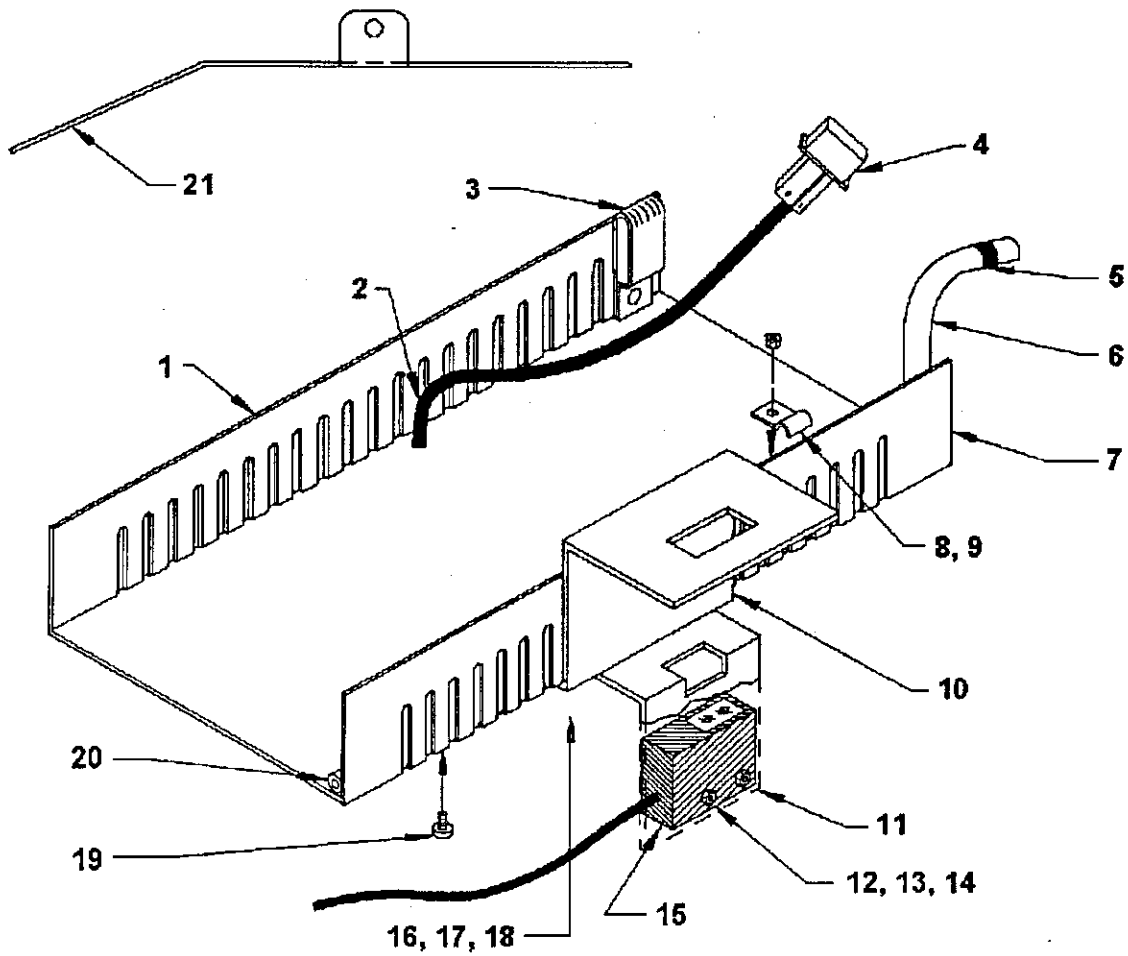
## POWDER SPRAY -- FRAME SUBASSEMBLY

<u>FIGURE</u>	<u>PART NUMBER</u>	<u>DESCRIPTION</u>	<u>UNITS PER ASSEMBLY</u>
1	2779017*	BRACKET -- frame	2
2	2739021*	REFLECTOR	1
3	2779004*	BRACKET -- mounting, sprayer	2
4	FAS170602-24*	SPACER -- fastex	2
5	632MS14*	SCREW -- 6-32 x 1/4"	9
6	6LWT*	WASHER -- lock, #6	9
7	3691016*	BAR -- side	2
8	2779024*	STRAP -- grounding	1
9	2779009*	PLATE -- end	1

\* Contact Airtech

# CHAIN DELIVERY

---



# CHAIN DELIVERY

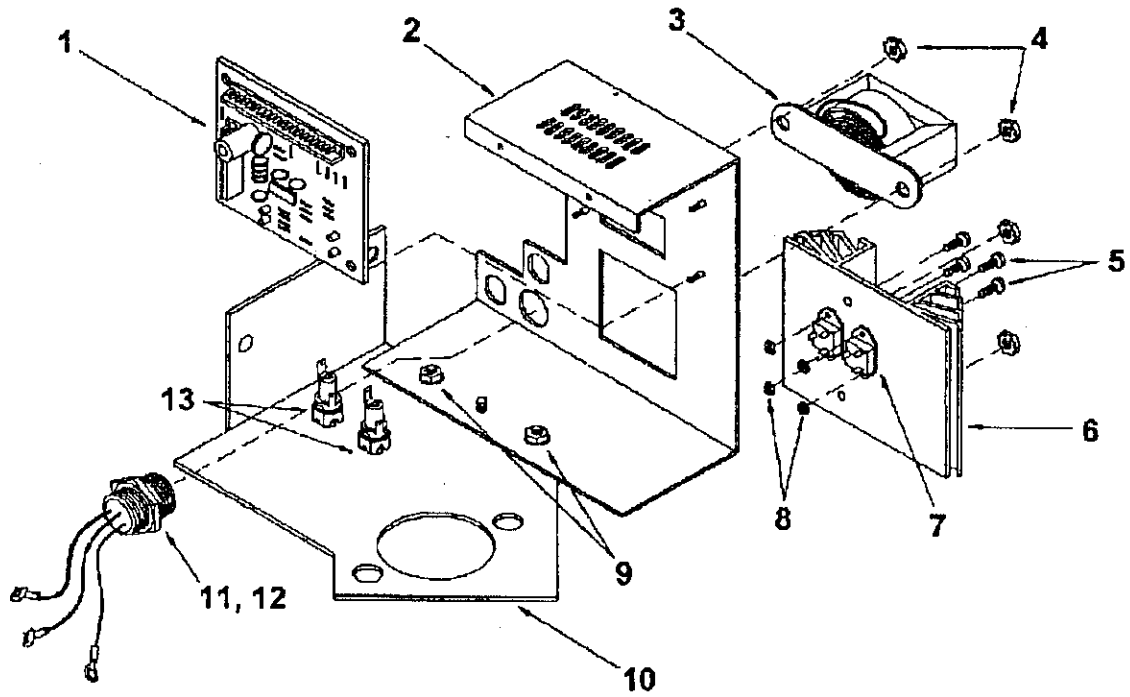
## INFRARED/POWDER SPRAY -- COVER

<u>FIGURE</u>	<u>PART NUMBER</u>	<u>DESCRIPTION</u>	<u>UNITS PER ASSEMBLY</u>
1	2139020*	COVER -- outer	1
2	A323102*	INDICATOR LIGHT ASSEMBLY	1
3	CD-0609*	CLAMP -- dual tube (for illustration only)	1
4	480319-10*	CONNECTOR -- plastic, female	1
5	IRWL-RED*	LABEL -- wire, red	1
6	43324102*	TUBE -- flouran, 7"	1
7	UM5006*	CLAMP -- (hidden)	1
8	CH-0407*	CLAMP -- half, 1/4"	1
9	032HN-SPN*	NUT -- 10-32	1
10	2639022*	SHIELD -- sensor	1
11	2639017*	BRACKET -- mounting, sensor	1
12	440MS34*	SCREW -- 4-40 x 3/4"	2
13	4LWT*	WASHER -- lock, #4	2
14	440HN*	NUT -- 4-40	2
15	6778805A	PHOTO SENSOR ASSEMBLY	1
16	032MS38*	SCREW -- 10-32 x 3/8" (hidden)	
17	10FW*	WASHER -- flat, #10 (hidden)	
18	10LWT*	WASHER -- lock, #10 (hidden)	
19	6PHSM14*	SCREW -- sheet metal, #6	1
20	3441042*	TUBE -- cool	1
21	2906022A*	CHEMICAL SHIELD	1

\* Contact Airtech

# CHAIN DELIVERY

---



# CHAIN DELIVERY

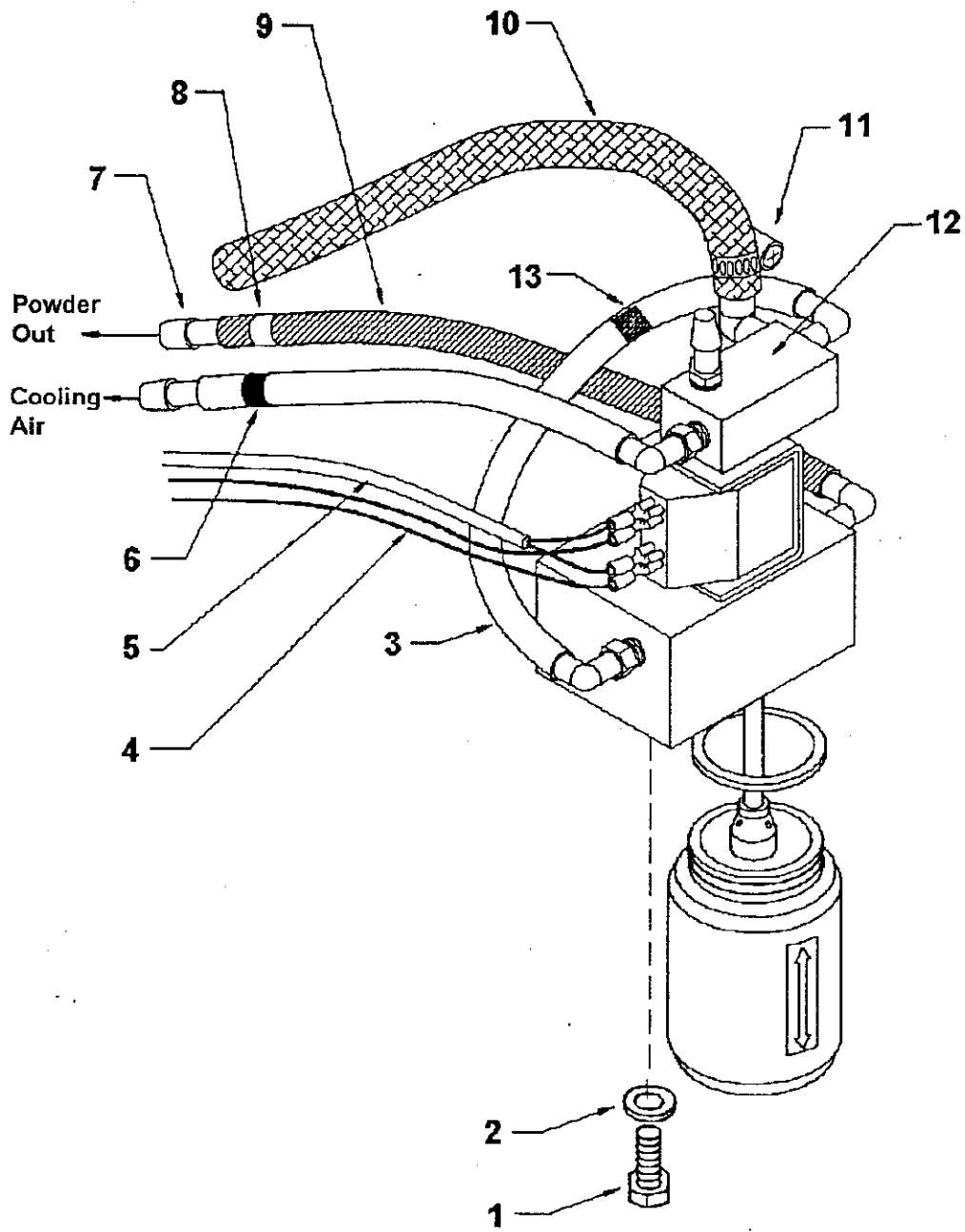
---

## POWDER SPRAY -- PNEUELECTRIC PANEL ASSEMBLY

<u>FIGURE</u>	<u>PART NUMBER</u>	<u>DESCRIPTION</u>	<u>UNITS PER ASSEMBLY</u>
1	LCB-2*	LAMP CONTROL -- pc board, 220V	1
2	2879005B*	MTG PLATE -- electronics	1
3	67312061*	TRANSFORMER -- IR, 220V	1
4	832SHN*	NUT -- shake proof, #8	4
5	632MS12*	SCREW -- machine, 6-32 x 1/2"	4
6	8221402A*	HEAT SINK -- triac	1
7	41316001*	TRIAC -- 600V, 35A	2
8	632SHN*	NUT -- shake proof, #6	4
9	032HN-SPN*	NUT -- shake proof, #10	2
10	2446011A*	BRACKET -- mtg, black pneumatic	1
11	6785568A*	RECEPTACLE -- lamp, female	1
12	47420632*	NUT -- joy jam (not shown)	1
13	41742000*	FUSE HOLDER -- push in, 20A	2

\* Contact Airtech

# CHAIN DELIVERY





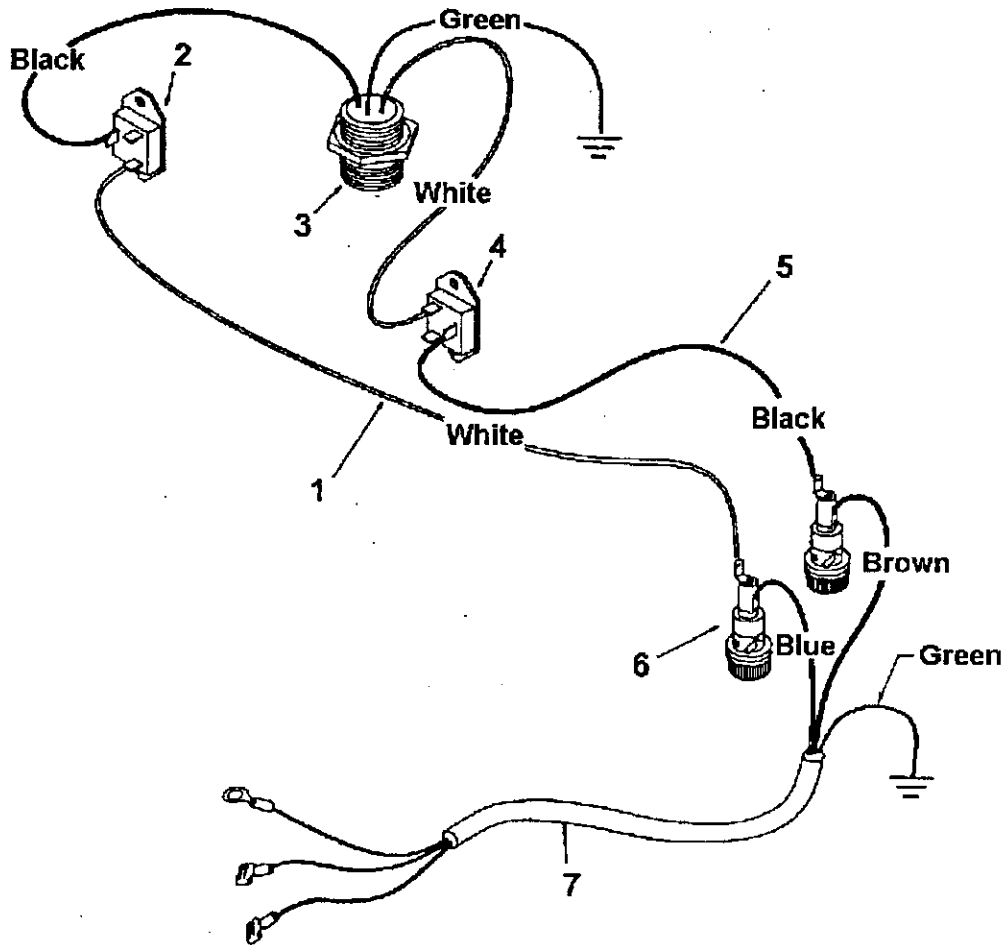
## POWDER SPRAY -- PNEUMATICS ASSEMBLY

<u>FIGURE</u>	<u>PART NUMBER</u>	<u>DESCRIPTION</u>	<u>UNITS PER ASSEMBLY</u>
1	0420HB58*	SCREW -- hex head, 1/4-20 x 5/8"	2
2	14LW*	WASHER -- split lock	2
3	14T38*	TUBING -- pvc, 7"	1
4	6785052A*	SOLENOID ENABLE -- wh	1
5	6785151A*	INDICATOR LIGHT -- wh	1
6	IRWL-RED*	LABEL -- tubing	1
7	43443905*	TUBING UNION -- 3/16"	2
8	IRWL-WHITE*	LABEL -- tubing	1
9	14ECT38*	TUBING -- conductive, 26"	1
10	38NB916*	TUBING -- braded, 36"	1
11	5X442*	CLAMP -- tubing	1
12	6822308A*	TUBING -- redux mfd.	1
13	8-FR089*	RESTRICTOR -- flow	1

\* Contact Airtech

# CHAIN DELIVERY

---



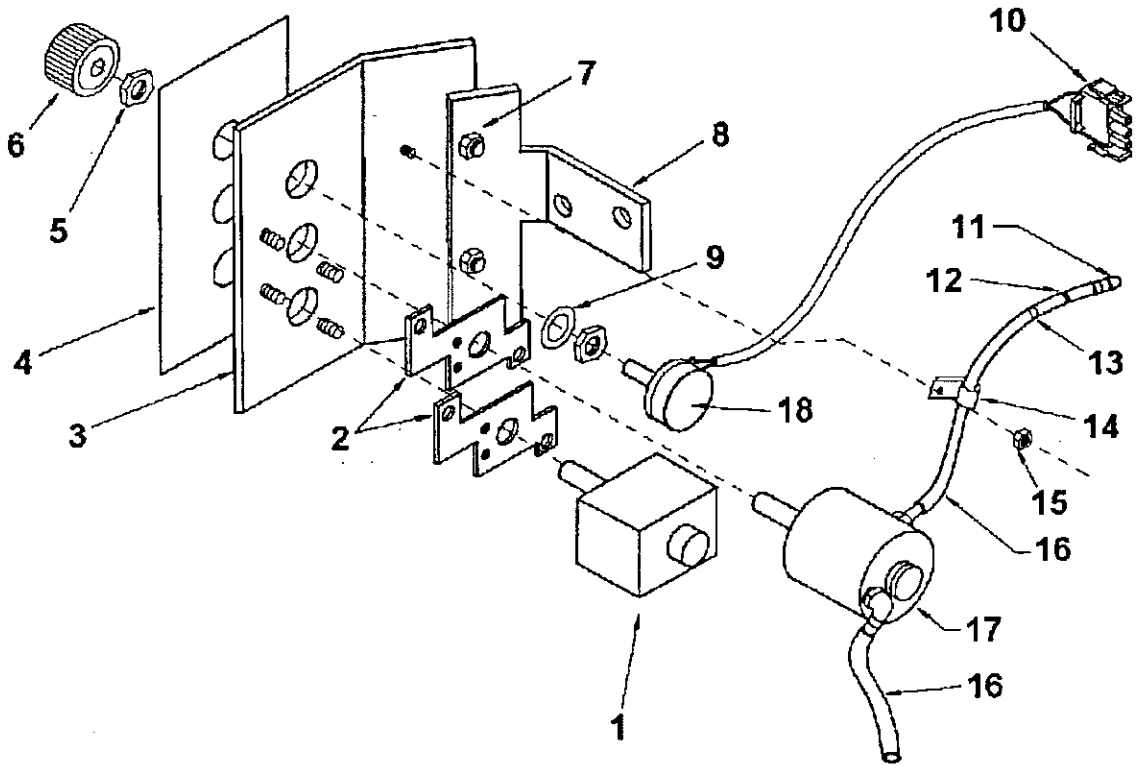
## INFRARED/POWDER SPRAY -- ELECTRICAL PANEL WIRING

<u>FIGURE</u>	<u>PART NUMBER</u>	<u>DESCRIPTION</u>	<u>UNITS PER ASSEMBLY</u>
1	6785555A*	POWER BREAKER -- neutral, wh	1
2	6785557A*	TRIAC #2 -- for reference only	1
3	N/A*	LAMP POWER RECEPTACLE -- for reference only	1
4	6785556A*	TRIAC #1 -- for reference only	1
5	6785554A*	POWER BREAKER -- hot, wh	1
6	N/A*	FUSE HOLDER -- for reference only	2
7	6753423A*	POWER CORD -- interconnect, 220V, 12'	1

\* Contact Airtech

# CHAIN DELIVERY

---



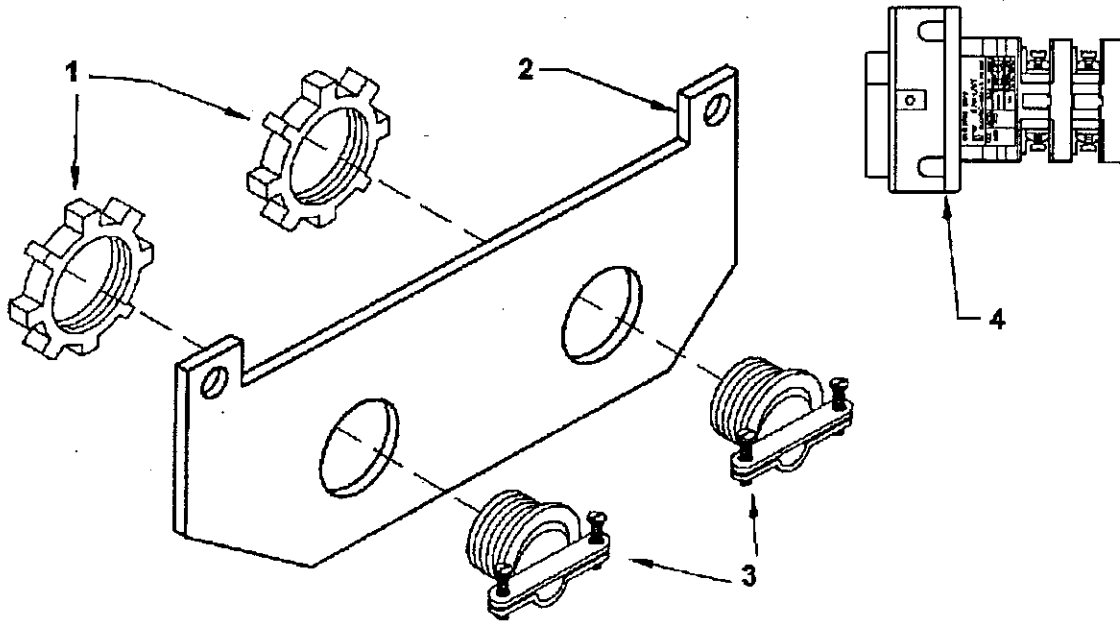
## POWDER SPRAY -- CONTROL PANEL ASSEMBLY

<u>FIGURE</u>	<u>PART NUMBER</u>	<u>DESCRIPTION</u>	<u>UNITS PER ASSEMBLY</u>
1	6955008*	SHAFT SUPPORT ASSEMBLY	1
2	2979021*	PLATE -- mounting, valve	2
3	2436010*	CONTROL PANEL -- A.B.Dick, black	1
4	4236224A*	OVERLAY	1
5	38PANEL*	NUT -- jam	
6	42556003*	KNOB -- black	
7	032HN-SPN*	NUT -- shake proof, #10	2
8	2436009*	BRACKET -- mounting, control panel	1
9		WASHER -- lock, internal tooth	
10	41525320*	AMP -- male, plastic	1
11	43453904*	UNION -- reduction	1
12	IRWL-BLUE*	LABEL -- wire	1
13	8-FR66*	RESTRICTOR -- flow, 0.070"	1
14	CW-0805*	CLAMP -- tubing	1
15	832HN-NYL*	NUT -- hex, #8	1
16	14T38*	TUBING -- 26"	1
17	6831503*	BD VALVE ASSEMBLY	1
18	6762105A*	INTENSITY POT ASSEMBLY	1

\* Contact Airtech

# CHAIN DELIVERY

---



# CHAIN DELIVERY

---

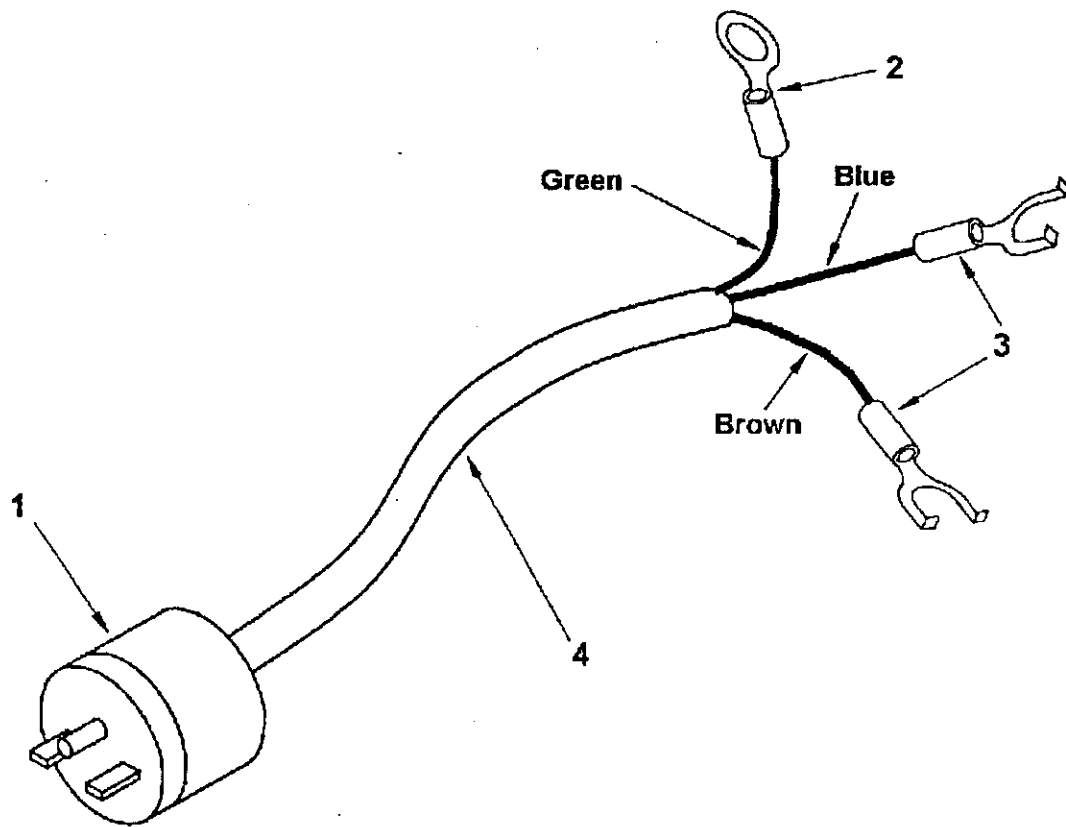
## INFRARED/POWDER SPRAY -- STRAIN RELIEF BRACKET/IR POWER SWITCH

<u>FIGURE</u>	<u>PART NUMBER</u>	<u>DESCRIPTION</u>	<u>UNITS PER ASSEMBLY</u>
1	6623SR*	STRAIN RELIEF	1
2	N/A*	NUT -- locking	2
3	2006003A*	BRACKET -- strain relief mounting, black	1
4	41317008*	IR POWER SWITCH	1

\* Contact Airtech

# CHAIN DELIVERY

---





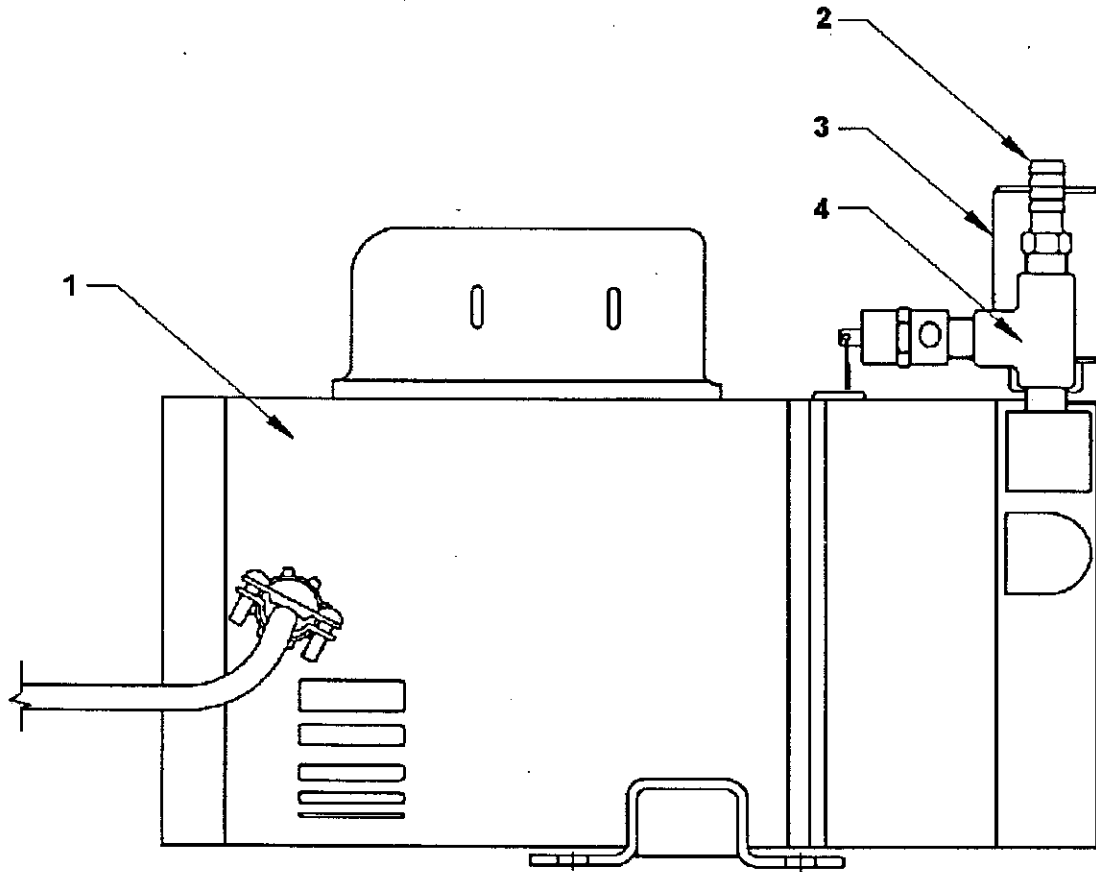
## INFRARED/POWDER SPRAY -- POWER CORD

<u>FIGURE</u>	<u>PART NUMBER</u>	<u>DESCRIPTION</u>	<u>UNITS PER ASSEMBLY</u>
1	41511322*	POWER PLUG -- 20 amp, NEMA, 6-15p	1
2	PV14-10R*	CONNECTOR -- ring	1
3	41528123*	CONNECTOR -- flanged, "U"	2
4	14GA32-220*	POWER CORD	1

\* Contact Airtech

# CHAIN DELIVERY

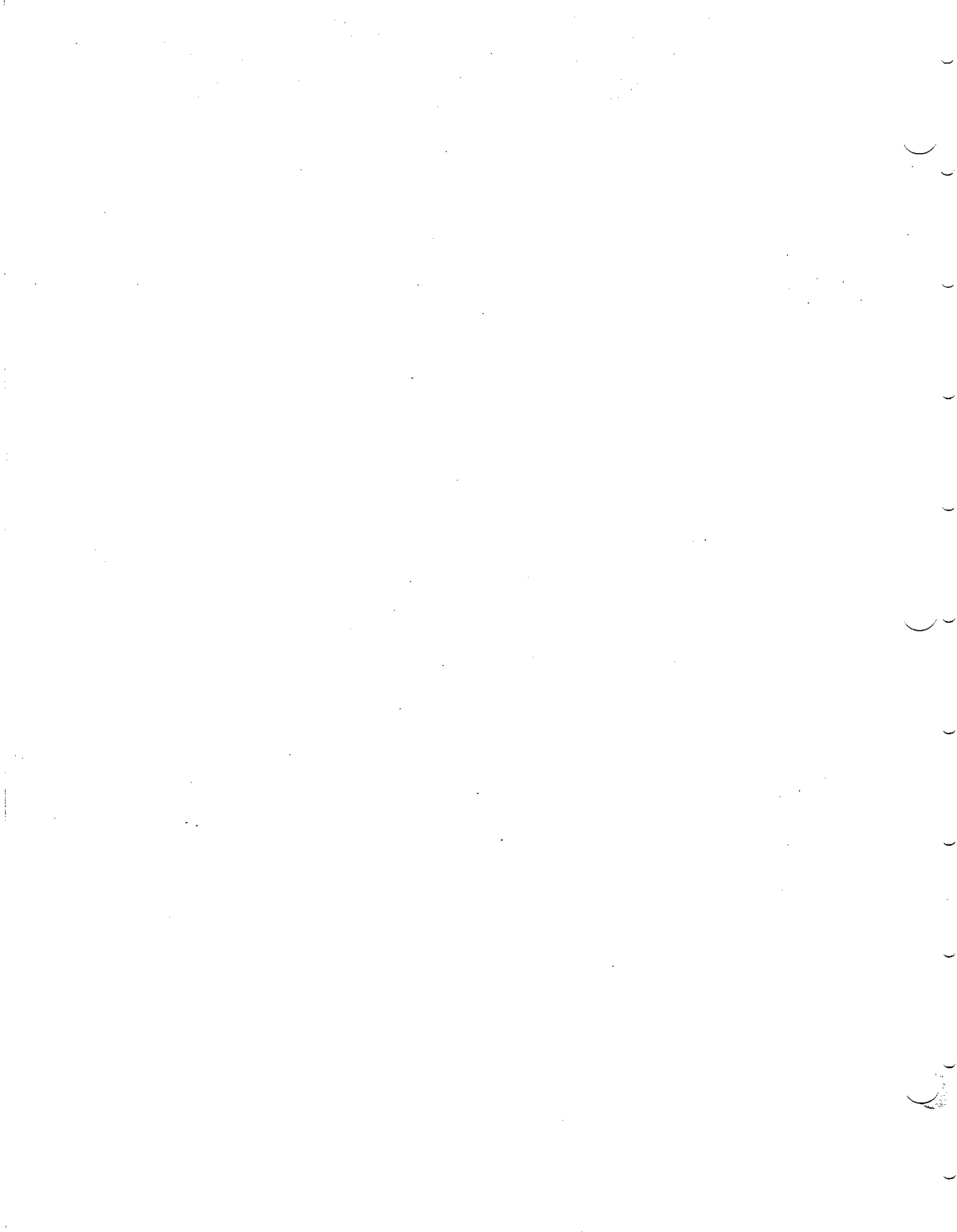
---



## POWDER SPRAY -- COMPRESSOR ASSEMBLY

<u>FIGURE</u>	<u>PART NUMBER</u>	<u>DESCRIPTION</u>	<u>UNITS PER ASSEMBLY</u>
1	6813206A*	COMPRESSOR ASSEMBLY	1
2	43466315*	ADAPTOR	1
3	GSTFILTER*	PLASTIC INTAKE FILTER	1
4	112C*	PRESSURE RELIEF VALVE	1

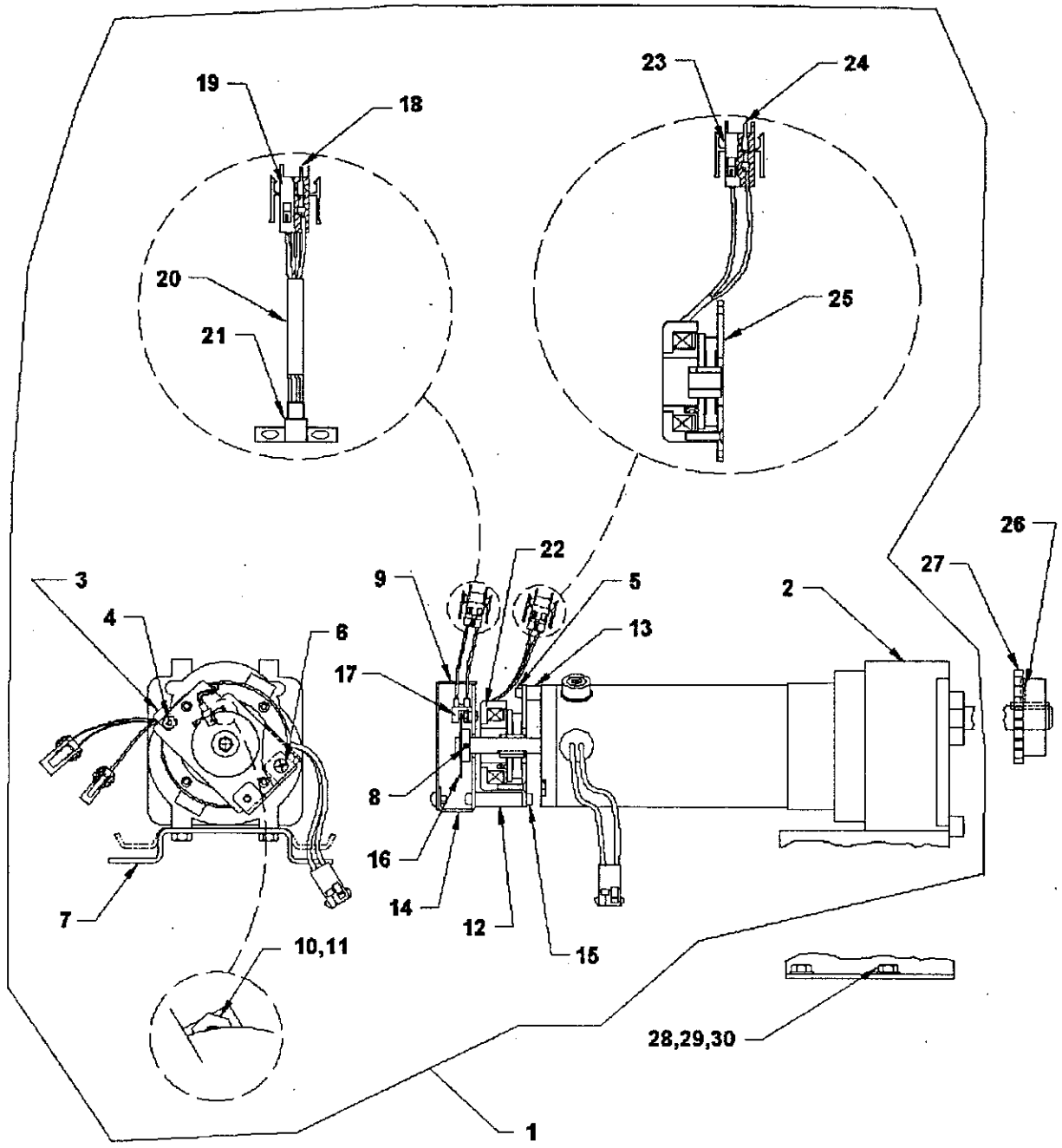
\* Contact Airtech



***Base***

---

# BASE

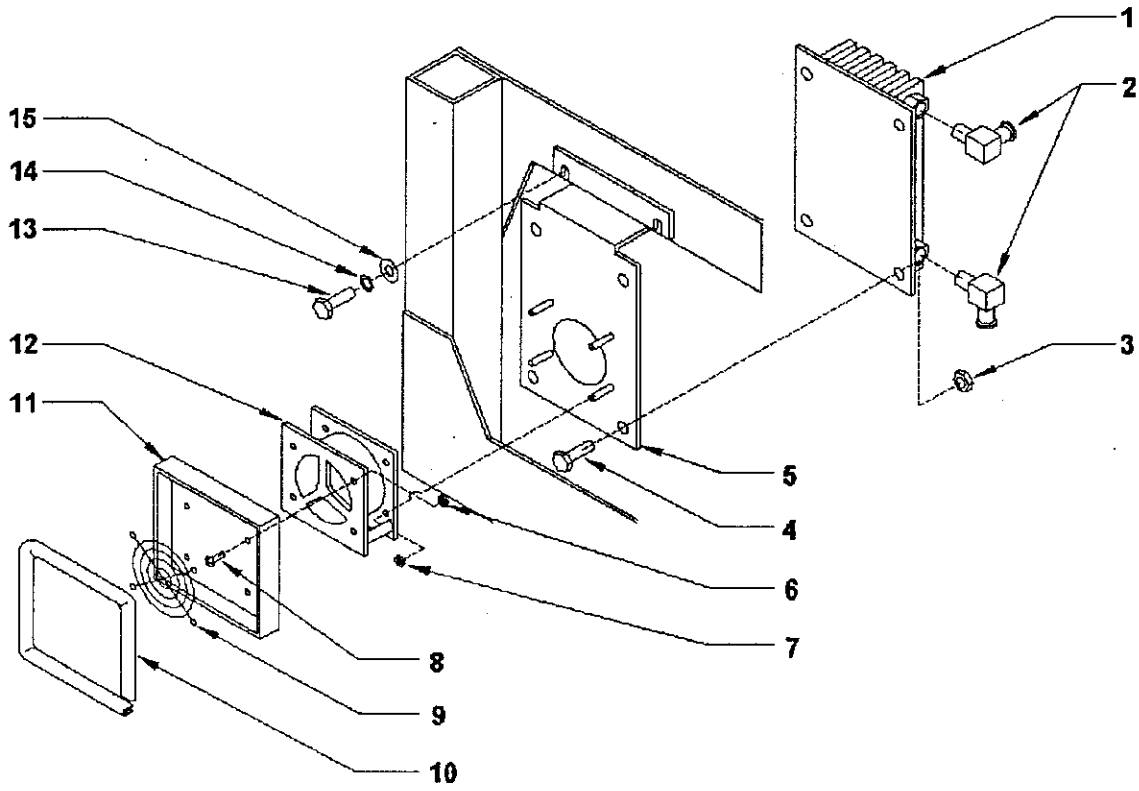


**MOTOR AND POSITION CONTROL ASSEMBLY**

<u>FIGURE</u>	<u>PART NUMBER</u>	<u>DESCRIPTION</u>	<u>UNITS PER ASSEMBLY</u>
1	173425	TABLE LIFT ASSEMBLY GEAR MOTOR	1
2	173426	GEAR MOTOR -- table lift	1
3	250356	CLAMP -- cable	1
4	197416	PIVOT -- snap	2
5	101197	SCREW	2
6	001588	SCREW -- Phillips	2
7	178259	SUPPORT -- gear motor	1
8	014249	SCREW -- set	2
9	173431	COVER -- encoder bracket	1
10	100228	NUT	2
11	110113	SCREW -- Phillips	2
12	173427	STAND OFF	2
13	173428	STAND OFF	2
14	173430	BRACKET -- encoder	2
15	014250	SCREW -- socket head	4
16	180422	DISK ASSEMBLY -- encoder	1
17	178179	SENSOR ASSEMBLY -- encoder	1
18	252527	PIN -- terminal	4
19	253387	CONNECTOR	1
20	251191	SHRINK TUBE -- #5	2
21	254262	SWITCH -- shilded optical	1
22	173441	BRACKET -- gear motor assembly	1
23	253383	CONNECTOR	1
24	253524	PIN -- contact	2
25	173429	BRAKE -- gear motor	1
26	173432	SPROCKET -- #41, 10 teeth	1
27	014180	SCREW -- set	1
28	111073	SCREW	4
29	001731	WASHER -- lock	4
30	005620	WASHER	4

# BASE

---



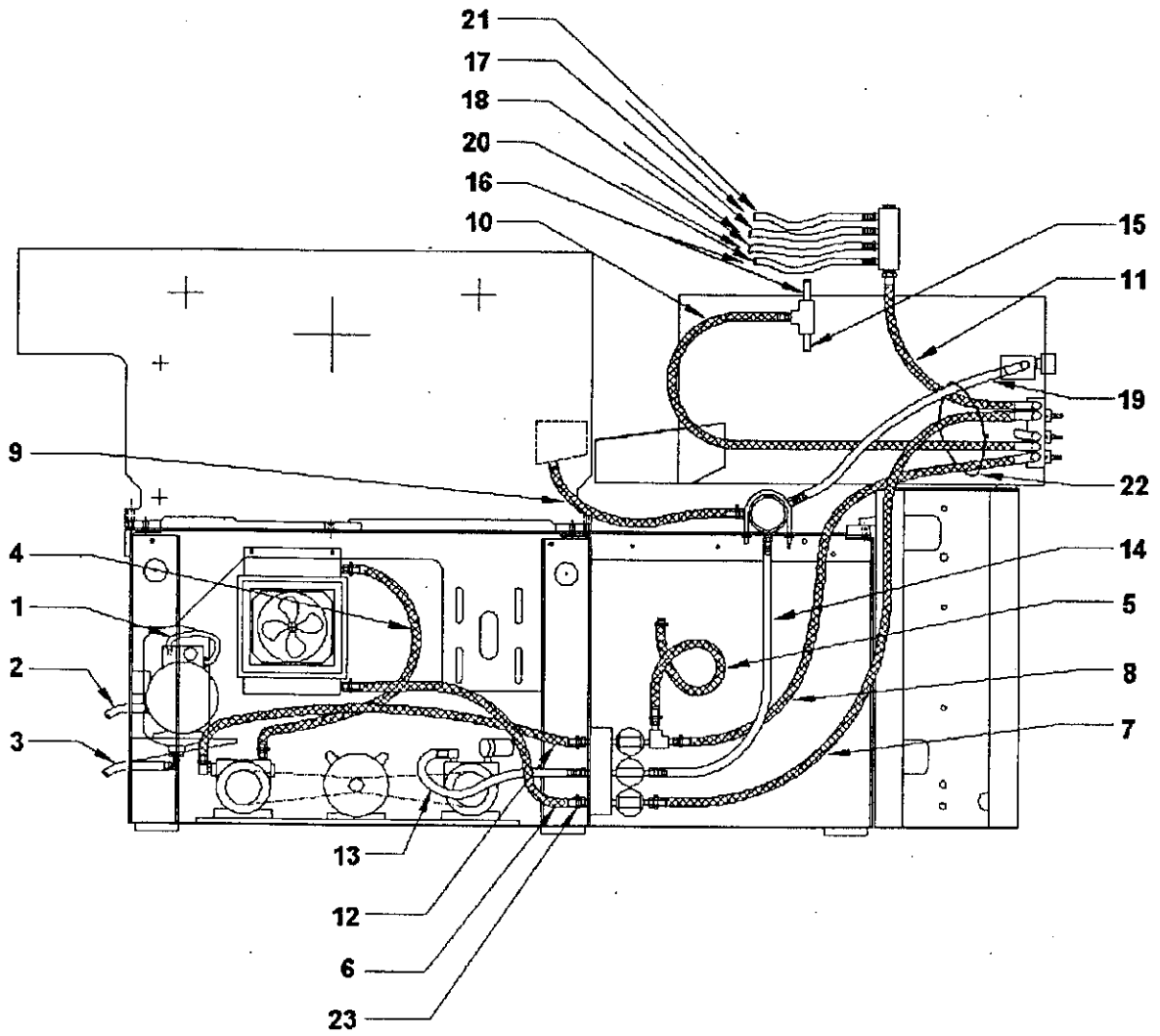


## HEAT EXCHANGER ASSEMBLY

<u>FIGURE</u>	<u>PART NUMBER</u>	<u>DESCRIPTION</u>	<u>UNITS PER ASSEMBLY</u>
1	180963	EXCHANGER -- heat	1
2	197391	BARB -- 5/8 hose, 1/2 npt, 90 degrees	2
3	150085	NUT -- lock, 1/4-28	4
4	111070	SCREW -- 1/4-28 x 7/16"	4
5	172475	PLATE -- mounting, fan	1
6	014812	NUT -- keps, 6-32	4
7	014812	NUT -- keps, 6-32	4
8	102210	SCREW -- pan head, 6-32 x 5/8"	4
9	202475	GUARD -- finger, fan	1
10	172099	GASKET	1
11	172477	SHROUD	1
12	202144	FAN	1
13	111073	SCREW -- 1/4-28 x 5/8"	2
14	001731	WASHER -- lock, .250 i.d., .485 o.d.	2
15	005620	WASHER -- .254 i.d., .625 o.d.	2

# BASE

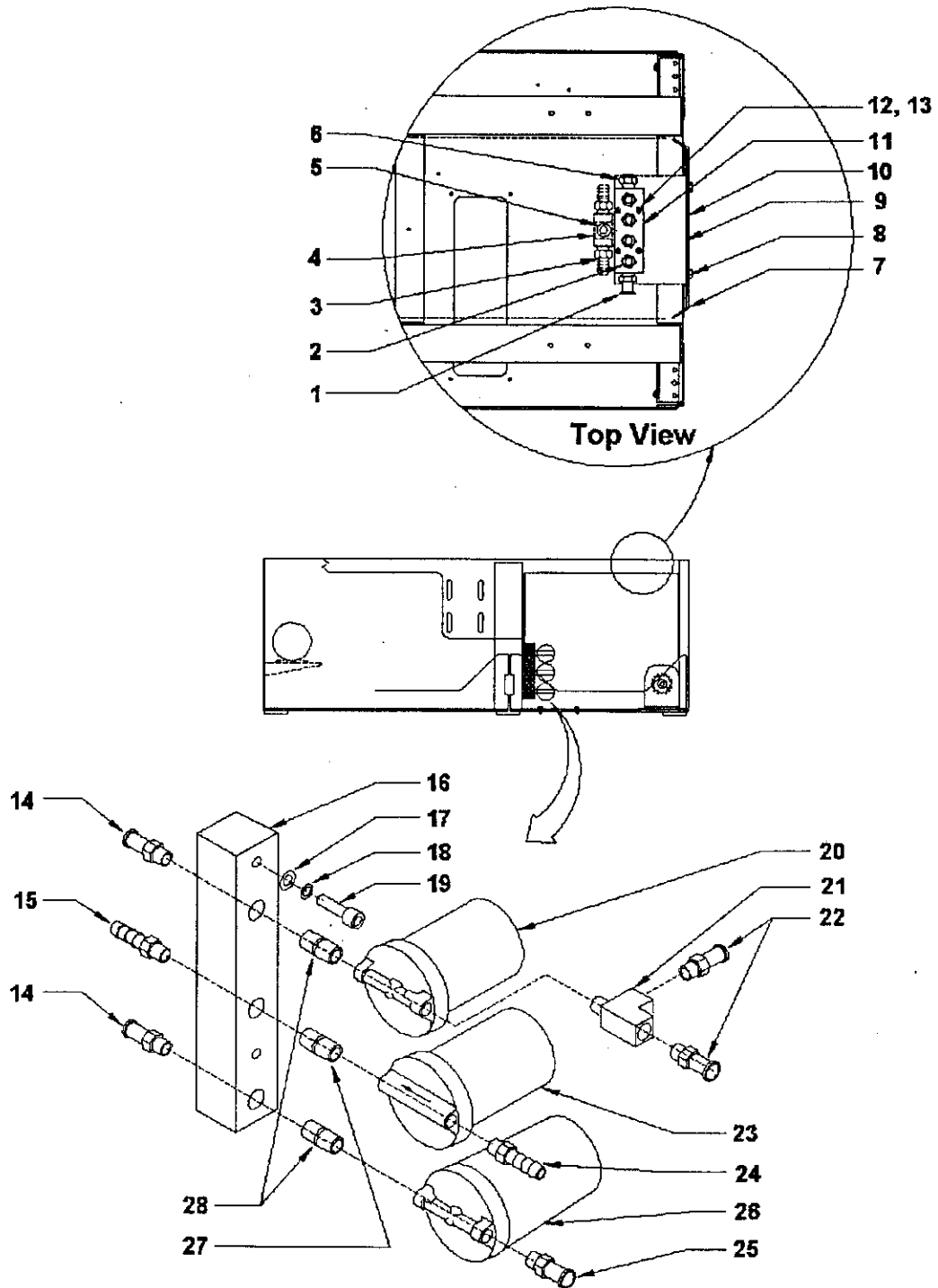
---



TUBING SCHEMATIC

<u>FIGURE</u>	<u>PART NUMBER</u>	<u>DESCRIPTION</u>	<u>UNITS PER ASSEMBLY</u>
1	178400	TUBING -- reinforced, 1/4" i.d., .50 o.d., 16" (sold 1.5')	1
2	172713	TUBING -- black, .25 i.d., .375 o.d., 15" (sold 7.5')	1
3	172713	TUBING -- black, .25 i.d., .375 o.d., 18" (sold 7.5')	1
4	180882	TUBING -- reinforced, 5/8" i.d., .906 o.d., 14" (sold 21')	1
5	180882	TUBING -- reinforced, 5/8" i.d., .906 o.d., 36" (sold 21')	1
6	180882	TUBING -- reinforced, 5/8" i.d., .906 o.d., 21" (sold 21')	1
7	180882	TUBING -- reinforced, 5/8" i.d., .906 o.d., 41" (sold 21')	1
8	180882	TUBING -- reinforced, 5/8" i.d., .906 o.d., 32" (sold 21')	1
9	180882	TUBING -- reinforced, 5/8" i.d., .906 o.d., 14" (sold 21')	1
10	180882	TUBING -- reinforced, 5/8" i.d., .906 o.d., 30" (sold 21')	1
11	180882	TUBING -- reinforced, 5/8" i.d., .906 o.d., 23" (sold 21')	1
12	180882	TUBING -- reinforced, 5/8" i.d., .906 o.d., 36" (sold 21')	1
13	178403	TUBING -- clear, 3/8" i.d., 5/8" o.d., 15" (sold 15.5')	1
14	178403	TUBING -- clear, 3/8" i.d., 5/8" o.d., 18" (sold 15.5')	1
15	178403	TUBING -- clear, 3/8" i.d., 5/8" o.d., 44" (sold 15.5')	1
16	178403	TUBING -- clear, 3/8" i.d., 5/8" o.d., 44" (sold 15.5')	1
17	178403	TUBING -- clear, 3/8" i.d., 5/8" o.d., 12" (sold 15.5')	1
18	178403	TUBING -- clear, 3/8" i.d., 5/8" o.d., 12" (sold 15.5')	1
19	178403	TUBING -- clear, 3/8" i.d., 5/8" o.d., 12" (sold 15.5')	1
20	173395	TUBING -- clear, 3/8" i.d., 1/2" o.d., 15" (sold 30.5')	1
21	173395	TUBING -- clear, 3/8" i.d., 1/2" o.d., 15" (sold 30.5')	1
22	250493	TIES -- cable	8
23	072741	CLAMP -- tubing	16

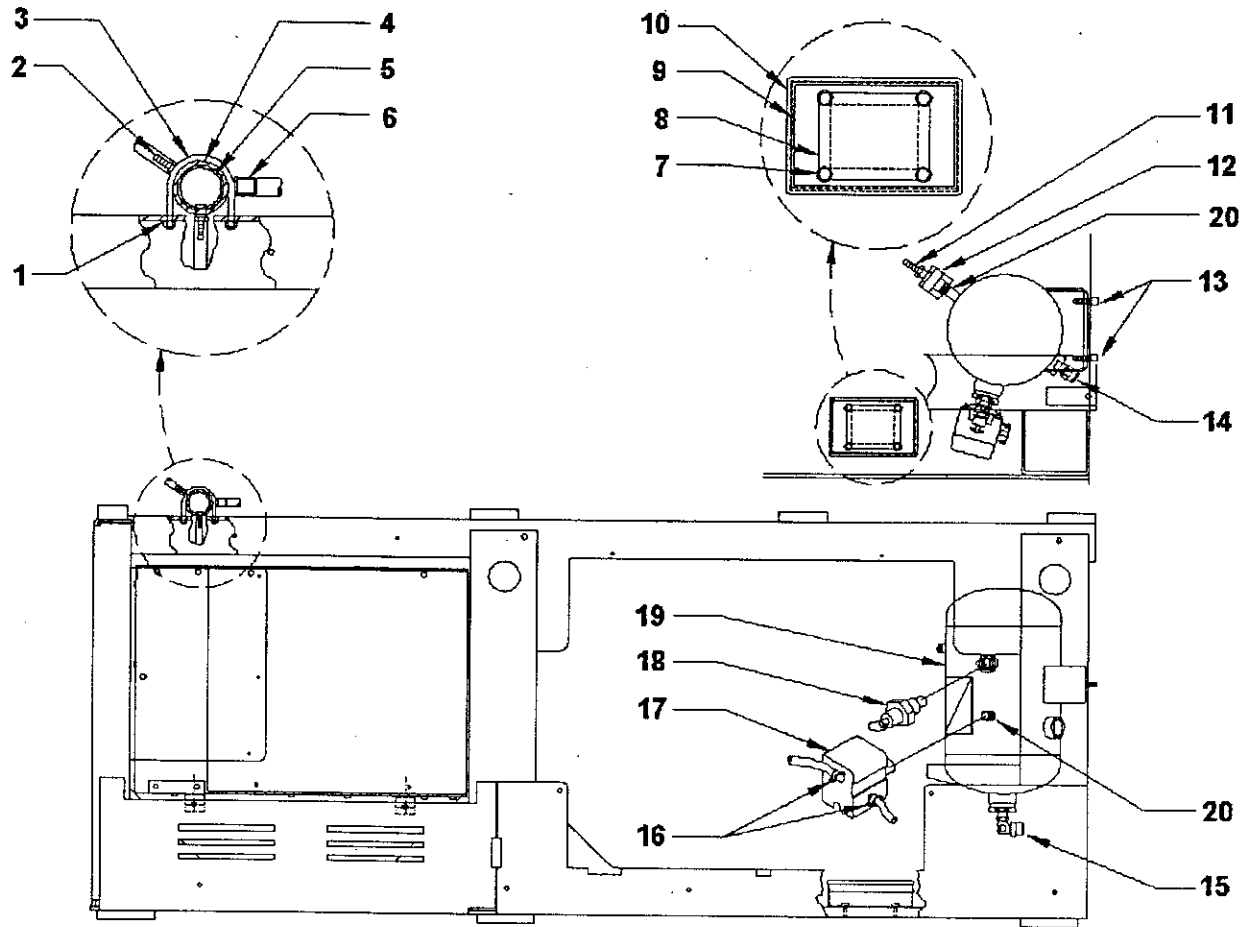
# BASE



## FEEDER ASSEMBLY

<u>FIGURE</u>	<u>PART NUMBER</u>	<u>DESCRIPTION</u>	<u>UNITS PER ASSEMBLY</u>
1	197330	BARB -- beaded hose, 5/8" i.d.	1
2	197182	BARB -- male connector	4
3	197329	BARB -- hose, 3/8" i.d.	2
4	197331	TEE -- 3/8" npt	1
5	197330	BARB -- beaded hose, 5/8" i.d.	1
6	196973	PLUG -- pipe	1
7	172479	PLATE -- face	1
8	111070	SCREW -- 1/4-28 x 7/16"	2
9	172478	BRACKET -- blower manifold	1
10	172479	PLATE -- face	1
11	179808	MANIFOLD	1
12	110057	SCREW -- pan head, 8-32 x 1 1/2"	4
13	150081	NUT -- lock, 8-32	4
14	197333	BARB -- 5/8" i.d., beaded hose to 1/2 npt	2
15	197329	BARB -- 3/8" i.d., hose to 3/8 npt	1
16	172480	MANIFOLD -- filter	1
17	005620	WASHER -- .254 i.d., .625 o.d.	2
18	001731	WASHER -- lock, .250 i.d., .485 o.d.	2
19	014304	SCREW -- 1/4-28 x 1 1/2"	2
20	172715	JAR -- filter, metal	1
21	197401	TEE -- street, 1/2" npt	1
22	197333	BARB -- beaded hose, 5/8" i.d.	2
23	172714	JAR -- filter, plastic	1
24	197329	BARB -- hose, 3/8" i.d.	1
25	197333	BARB -- beaded hose, 5/8" i.d.	1
26	172715	JAR -- filter, metal	1
27	197392	NIPPLE -- close	1
28	197334	NIPPLE -- close, 1/2" npt	2

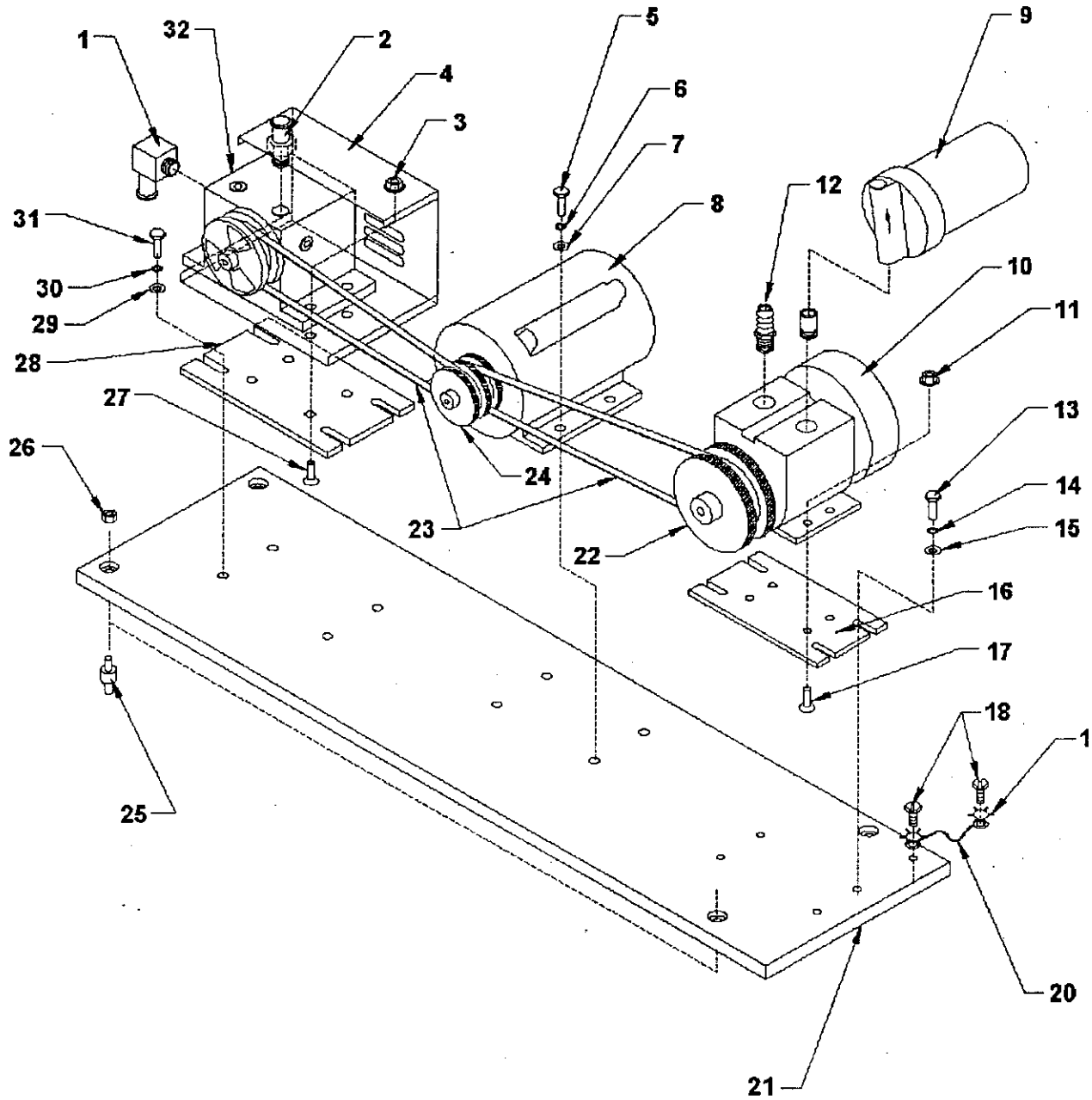
# BASE



**TANK ASSEMBLY**

<u>FIGURE</u>	<u>PART NUMBER</u>	<u>DESCRIPTION</u>	<u>UNITS PER ASSEMBLY</u>
1	001710	WASHER -- lock, .320 i.d., .570 o.d.	2
2	197182	BARB -- connector, male	2
3	178778	"U" BOLT AND NUT	2
4	178780	RESERVOIR -- vacuum stroker	1
5	178781	PLUG	2
6	197330	BARB -- beaded hose, 5/8" i.d.	1
7	111070	SCREW -- 1/4-28 x 7/16"	4
8	172825	SCREEN -- base	1
9	173155	SHROUD -- filter	1
10	173156	GASKET -- material 180981	1
11	101537	FITTING	1
12	179740	VALVE -- check	1
13	014304	SCREW -- cap, 1/4-28	2
14	197395	FITTING -- male	1
15	197396	FITTING -- elbow, male	1
16	251374	CONNECTOR	2
17	253916	SWITCH -- pressure	1
18	179767	VALVE -- safety, tank	1
19	173602	VESSEL -- pressure tank (173602)	1
20	101440	NIPPLE -- #4	2

# BASE



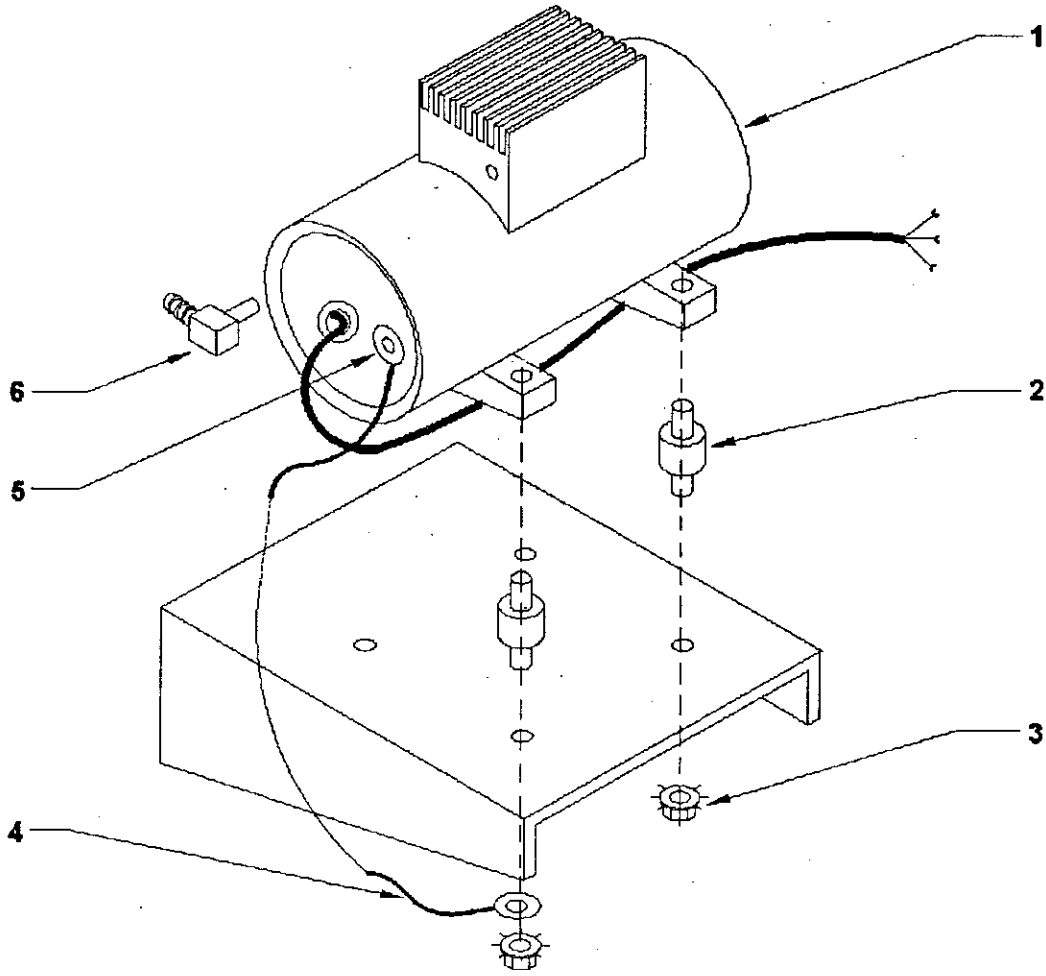


## FEEDER PUMP AND COMPRESSOR ASSEMBLY

<u>FIGURE</u>	<u>PART NUMBER</u>	<u>DESCRIPTION</u>	<u>UNITS PER ASSEMBLY</u>
1	197391	BARB -- 5/8" hose, 1/2" npt, 90 degrees	1
2	197333	BARB -- beaded hose, 5/8" i.d.	1
3	102258	NUT -- 5/16-18	4
4	173367	GUARD -- wire and fan	1
5	111089	SCREW -- 5/16-24 x 5/8"	4
6	001710	WASHER -- lock, .320 i.d., .570 o.d.	4
7	014784	WASHER -- .328 i.d., .812 o.d.	4
8	172555	MOTOR -- air vacuum	1
9	172714	JAR -- filter	1
10	172702	PUMP -- vacuum	1
11	014807	NUT -- 1/4-28	4
12	197329	BARB -- hose, 3/8" i.d.	1
13	111073	SCREW -- 1/4-28 x 5/8"	4
14	001731	WASHER -- lock, .250 i.d., .485 o.d.	4
15	005620	WASHER -- .254 i.d., .625 o.d.	4
16	172482	PLATE	1
17	100586	SCREW -- 1/4-28 x 1"	4
18	122661	SCREW -- 10-32 x 3/8"	2
19	001706	WASHER -- lock, .199 i.d., .400 o.d.	2
20	172666	WIRE -- ground strap	2
21	172481	PLATE -- base compressor	1
22	197351	PULLEY	1
23	172484	"V" BELT	2
24	197350	PULLEY -- two groove	1
25	172485	INSULATOR	4
26	001833	NUT -- 1/4-20	4
27	102222	SCREW -- 5/16-18 x 1 1/8"	4
28	172483	PLATE	1
29	005620	WASHER -- .254 i.d., .625 o.d.	4
30	001731	WASHER -- lock, .250 i.d., .485 o.d.	4
31	111073	SCREW -- 1/4-28 x 5/8"	4
32	172510	COMPRESSOR	1

# BASE

---



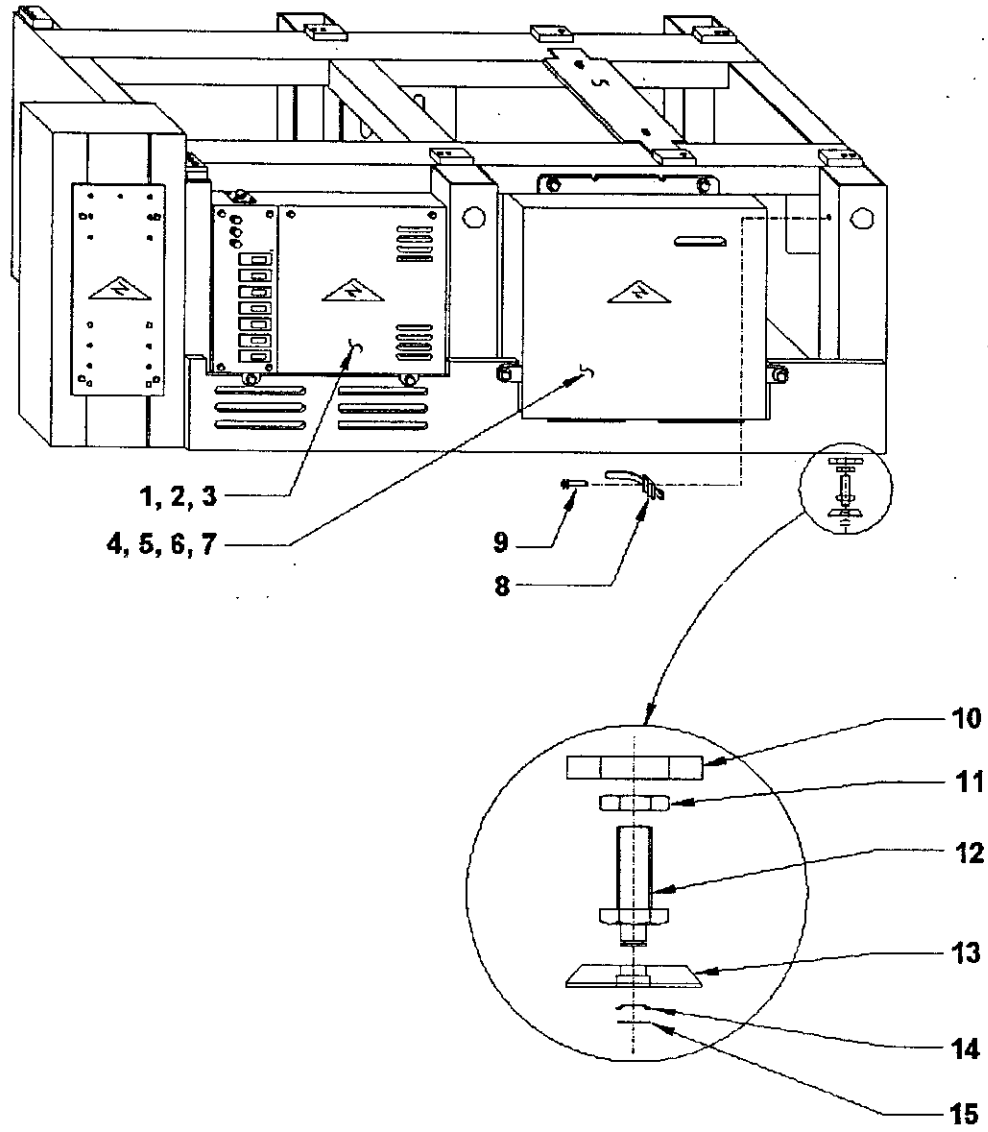
---

**PNEUMATIC AIR COMPRESSOR**

<u>FIGURE</u>	<u>PART NUMBER</u>	<u>DESCRIPTION</u>	<u>UNITS PER ASSEMBLY</u>
1	172499	COMPRESSOR	1
2	172498	ISOLATOR -- vibration	4
3	014808	NUT -- 10-32	4
4	172666	WIRE -- ground strap	1
5	001706	WASHER -- lock, .199 i.d., .400 o.d.	1
6	196980	BARB -- elbow, male	1

# BASE

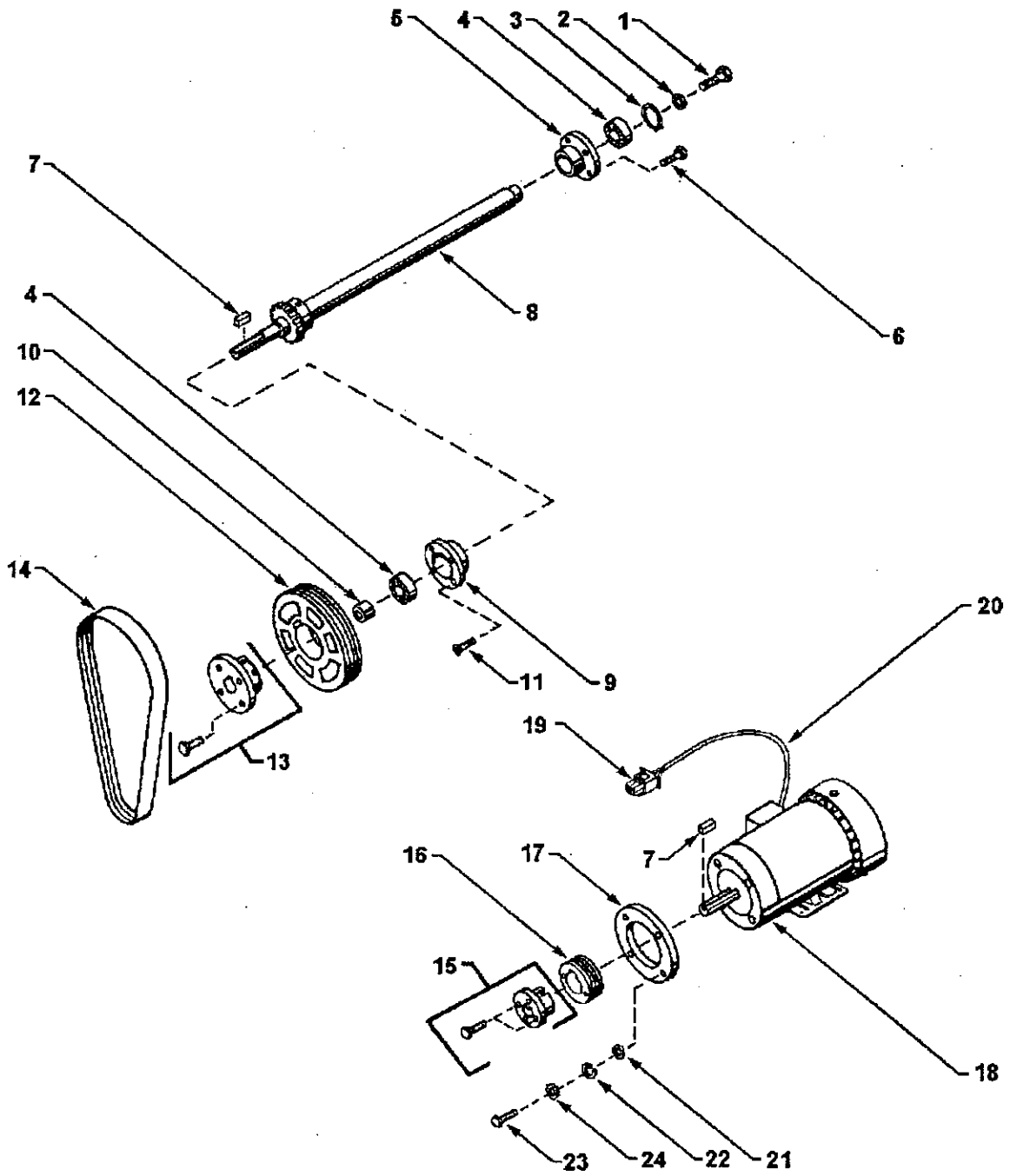
---



## BASE ASSEMBLY

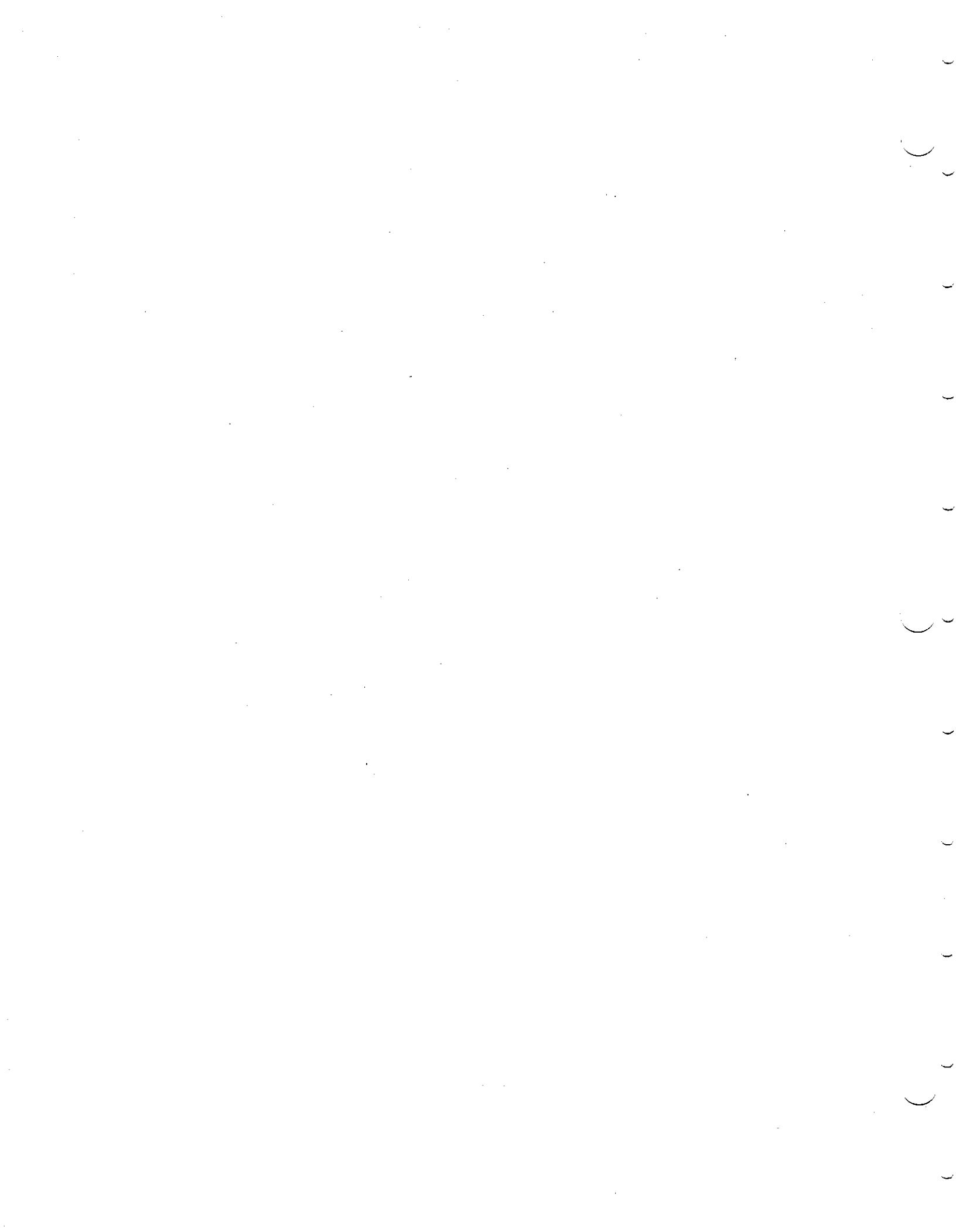
<u>FIGURE</u>	<u>PART NUMBER</u>	<u>DESCRIPTION</u>	<u>UNITS PER ASSEMBLY</u>
1	173405	DISTRIBUTION BOX -- empty	1
2	173409	DISTRIBUTION BOX -- complete	1
3	111068	SCREW -- 1/4-28 x 5/16"	4
4	173424	CONTROL BOX -- complete	1
5	173423	CONTROL BOX -- empty	1
6	016572	WASHER -- .255 i.d., .875 o.d.	4
7	111070	SCREW -- 1/4-28 x 7/16"	4
8	254530	CRADLE	10
9	197416	PIN -- mounting, cradle	10
10	102260	WASHER -- .765 i.d., 1.5 o.d.	6
11	102255	NUT -- hex, 3/4 x 10	6
12	173211	STUD	6
13	081879	GLIDER	6
14	196927	WASHER -- .376 i.d., .755 o.d.	6
15	001047	RING -- snap	6

# BASE



## DRIVE MOTOR

<u>FIGURE</u>	<u>PART NUMBER</u>	<u>DESCRIPTION</u>	<u>UNITS PER ASSEMBLY</u>
1	102254	SCREW -- 5/16-24 x 1"	1
2	196955	WASHER -- .381 i.d., 1.000 o.d.	1
3	001065	RETAINING RING -- internal, 2.089 o.d. x .065	1
4	102238	BALL BEARING	2
5	173048	HOUSING -- bearing, nos	1
6	111075	SCREW -- 1/4-28 x 7/8"	3
7	197010	KEY -- pulley	3
8	172588	SHAFT ASSEMBLY -- main drive	1
9	173047	HOUSING -- main drive shaft, os	1
10	196956	SPACER -- sleeve	1
11	100586	SCREW -- 1/4-28 x 1"	3
12	180378	SHEAVE -- 10.6 p.d.	1
13	180379	BUSHING -- 10.06 sheave	1
14	180380	BELT -- "V" drive	1
15	180377	BUSHING -- 2.12 sheave	1
16	180376	SHEAVE -- 2.12 p.d.	1
17	179489	RING -- adaptor	1
18	172681	MOTOR -- drive	1
19	253815	CONNECTOR	1
20	178307	HARNESS	1
21	192766	WASHER -- plain, .385 i.d., .750 o.d.	4
22	001763	WASHER -- lock, .382 i.d., .673 o.d.	4
23	101869	SCREW -- 3/8-16 x 1"	4
24	101774	WASHER -- bottom left bolt only	1



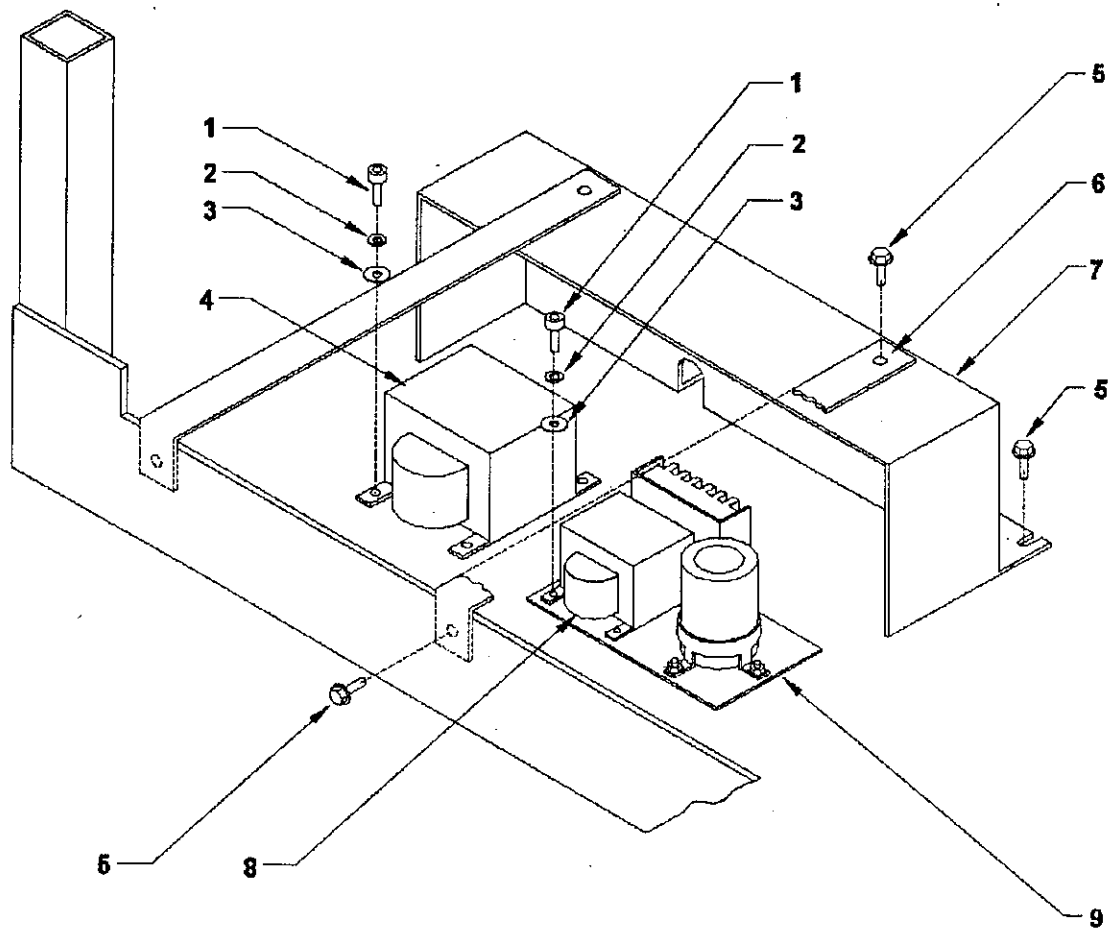


***Electrical***

---

# ELECTRICAL

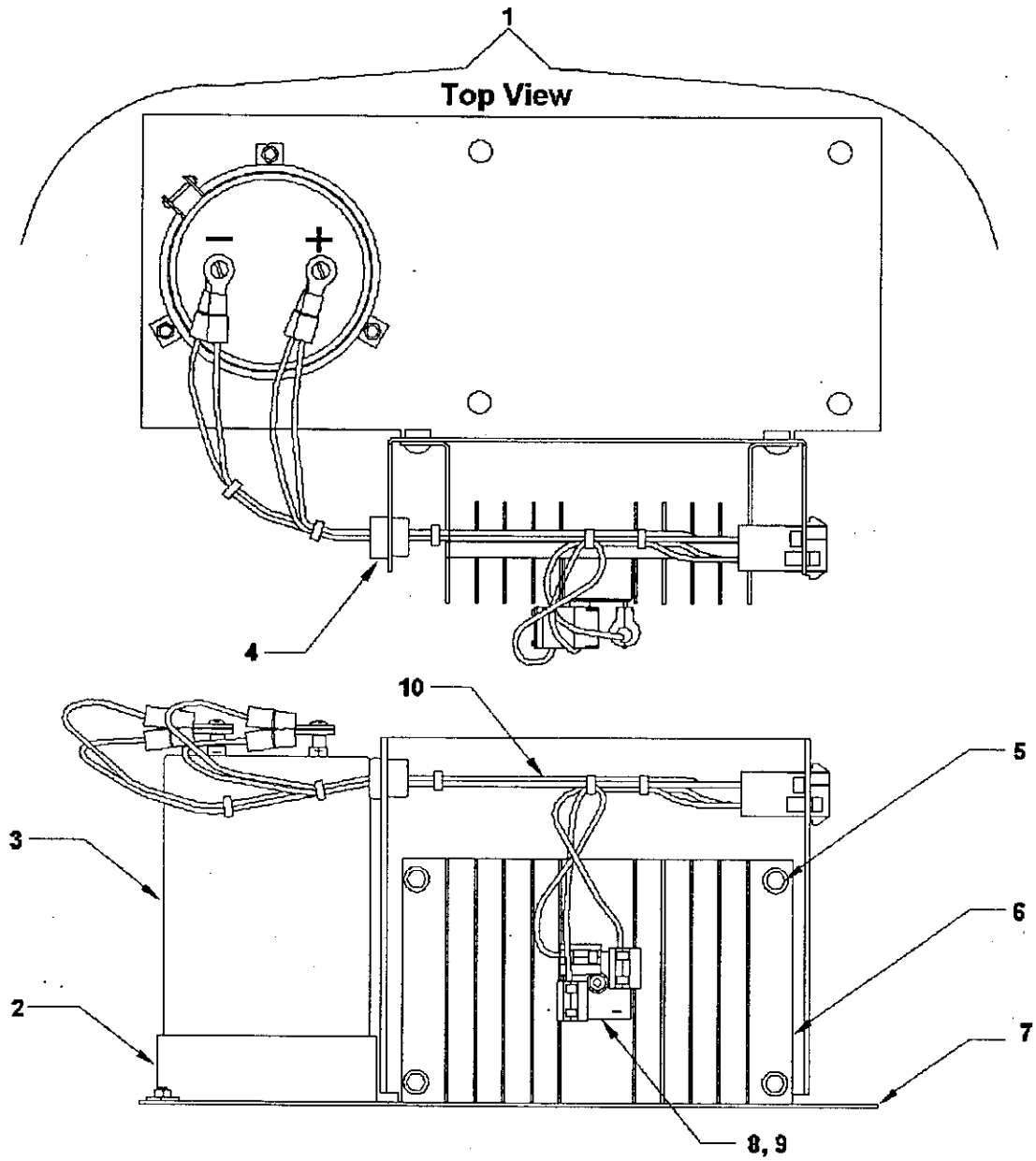
---



## TRANSFORMER

<u>FIGURE</u>	<u>PART NUMBER</u>	<u>DESCRIPTION</u>	<u>UNITS PER ASSEMBLY</u>
1	101626	SCREW -- 1/4-28 x 5/8"	7
2	001731	WASHER -- lock, .250 i.d., .485 o.d.	7
3	005620	WASHER -- .254 i.d., .625 o.d.	7
4	172557	TRANSFORMER -- main power	1
5	111070	SCREW -- 1/4-28 x 7/16"	8
6	178994	CHANNEL	1
7	178993	CHANNEL -- distribution box	1
8	253914	TRANSFORMER -- drive motor	1
9	172556	BRIDGE -- capacitor assembly	1

# ELECTRICAL

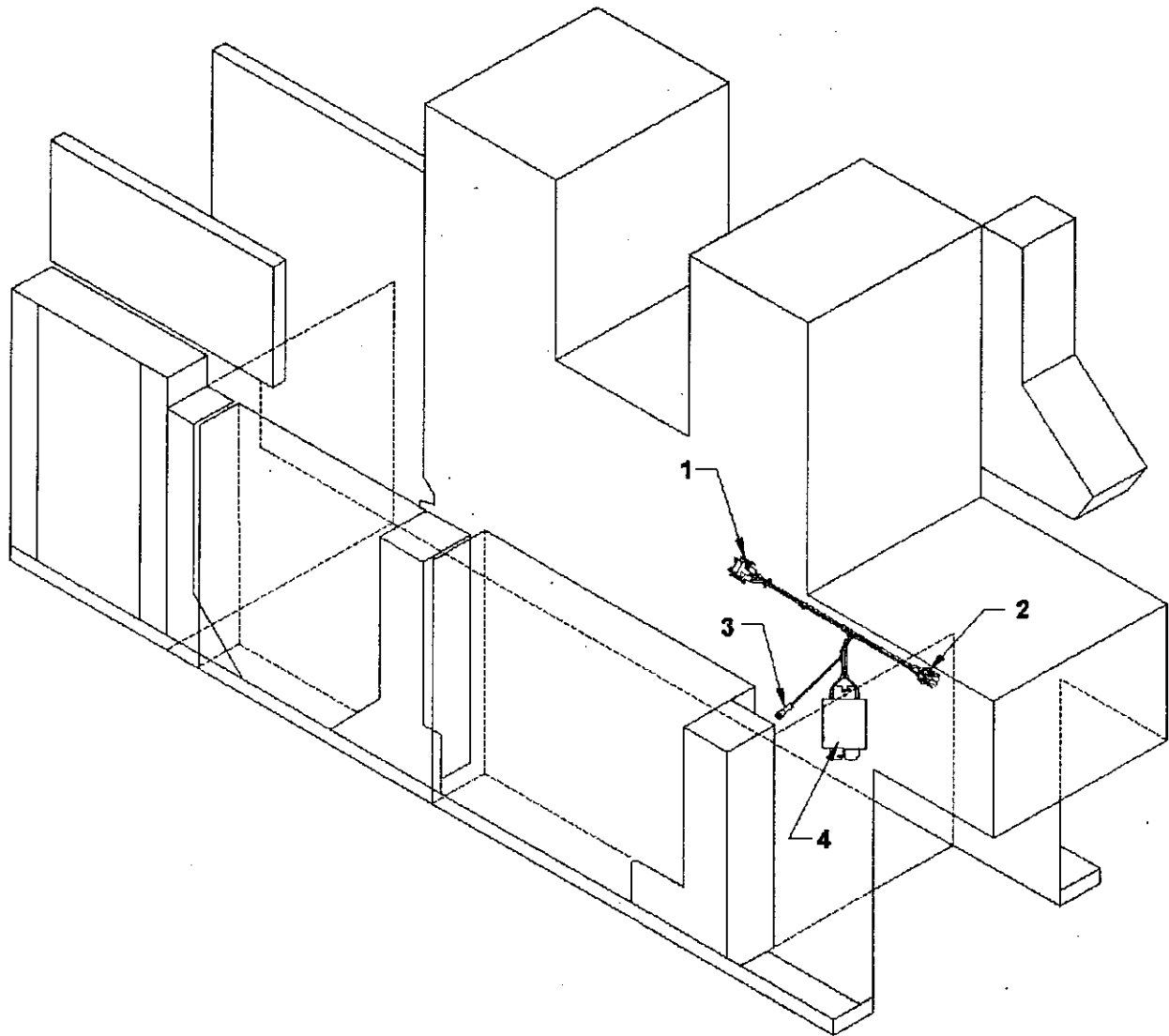


## BRIDGE CAPACITOR ASSEMBLY

<u>FIGURE</u>	<u>PART NUMBER</u>	<u>DESCRIPTION</u>	<u>UNITS PER ASSEMBLY</u>
1	172556	BRIDGE CAPACITOR ASSEMBLY	1
2	254163	BRACKET -- capacitor	1
3	254162	CAPACITOR	1
4	251520	BUSHING	1
5	001693	SCREW -- 8-32 x 1/4"	4
6	178366	HEAT SINK -- tapped	1
7	172559	BRACKET ASSEMBLY -- heat sink	1
8	254154	BRIDGE -- full wave, 30 amp	1
9	101193	SCREW -- 8-32 x 5/8"	1
10	172564	BRIDGE CAPACITOR HARNESS -- J4001, 6 ckt., from main trans.	1

# ELECTRICAL

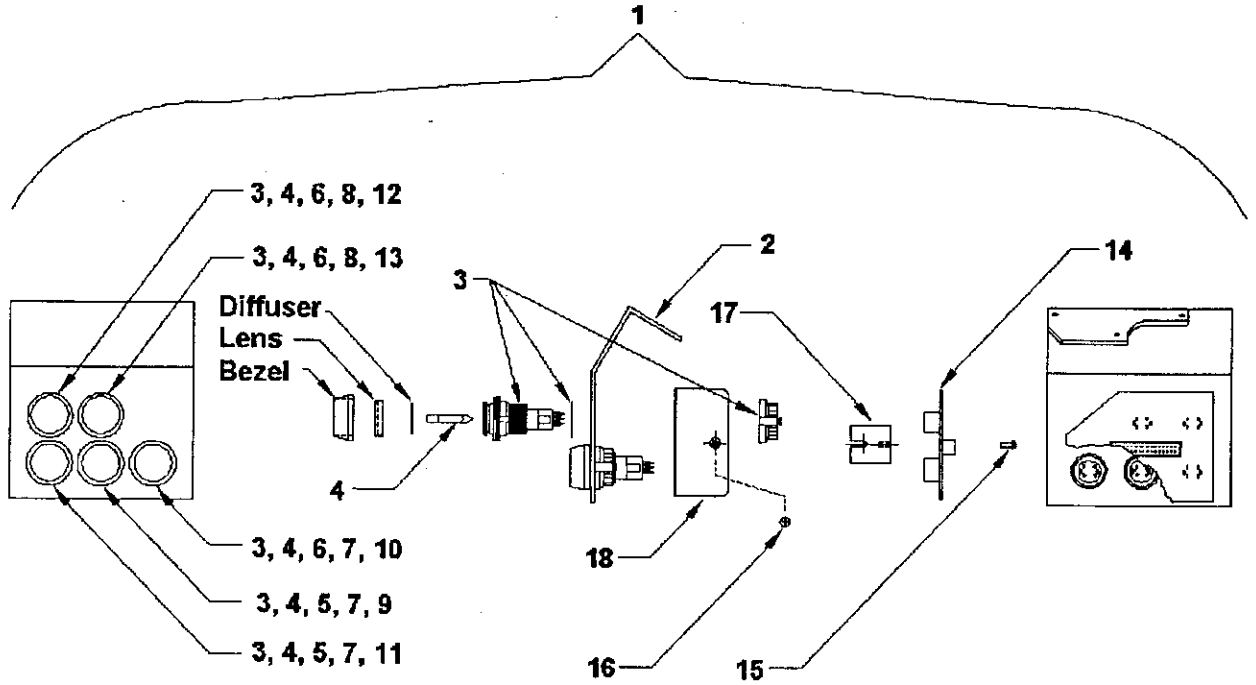
---



## BALLAST TRANSFORMER ASSEMBLY

<u>FIGURE</u>	<u>PART NUMBER</u>	<u>DESCRIPTION</u>	<u>UNITS PER ASSEMBLY</u>
1	252793	HOUSING CONNECTOR -- 3 circuit, P5032, to power in	1
2	253384	CONNECTOR -- 2 circuit, P5033, to lamp	1
3	200730	TERMINAL -- ring, ground connection	1
4	254379	BALLAST TRANSFORMER	1

# ELECTRICAL

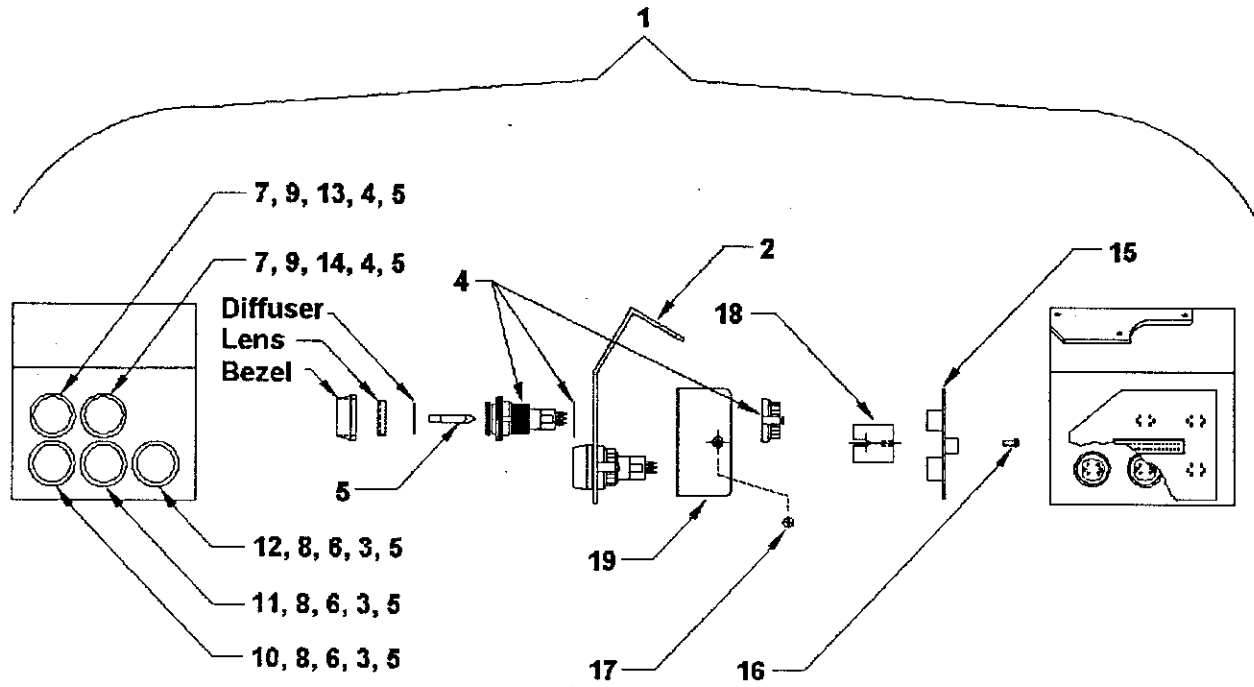




## FEEDER SWITCH PANEL ASSEMBLY

<u>FIGURE</u>	<u>PART NUMBER</u>	<u>DESCRIPTION</u>	<u>UNITS PER ASSEMBLY</u>
1	178884	FEEDER SWITCH PANEL ASSEMBLY	1
2	178371	BRACKET -- inter-tower switch	1
3	253864	SWITCH -- momentary push button	5
4	253868	LAMP -- 12V	5
5	253866	BEZEL	3
6	253865	BEZEL -- raised style	2
7	253861	LENS -- yellow	3
8	253862	LENS -- clear	2
9	254191	DIFFUSER -- feed	1
10	253863	DIFFUSER -- blank	1
11	254193	DIFFUSER -- pump	1
12	254194	DIFFUSER -- raise	1
13	254195	DIFFUSER -- lower	1
14	173230	PC BOARD ASSEMBLY	1
15	100222	SCREW -- thread forming	1
16	100297	SCREW -- 6-32, machine	1
17	173383	BLOCK -- mounting	1
18	173384	BRACKET	1

# ELECTRICAL

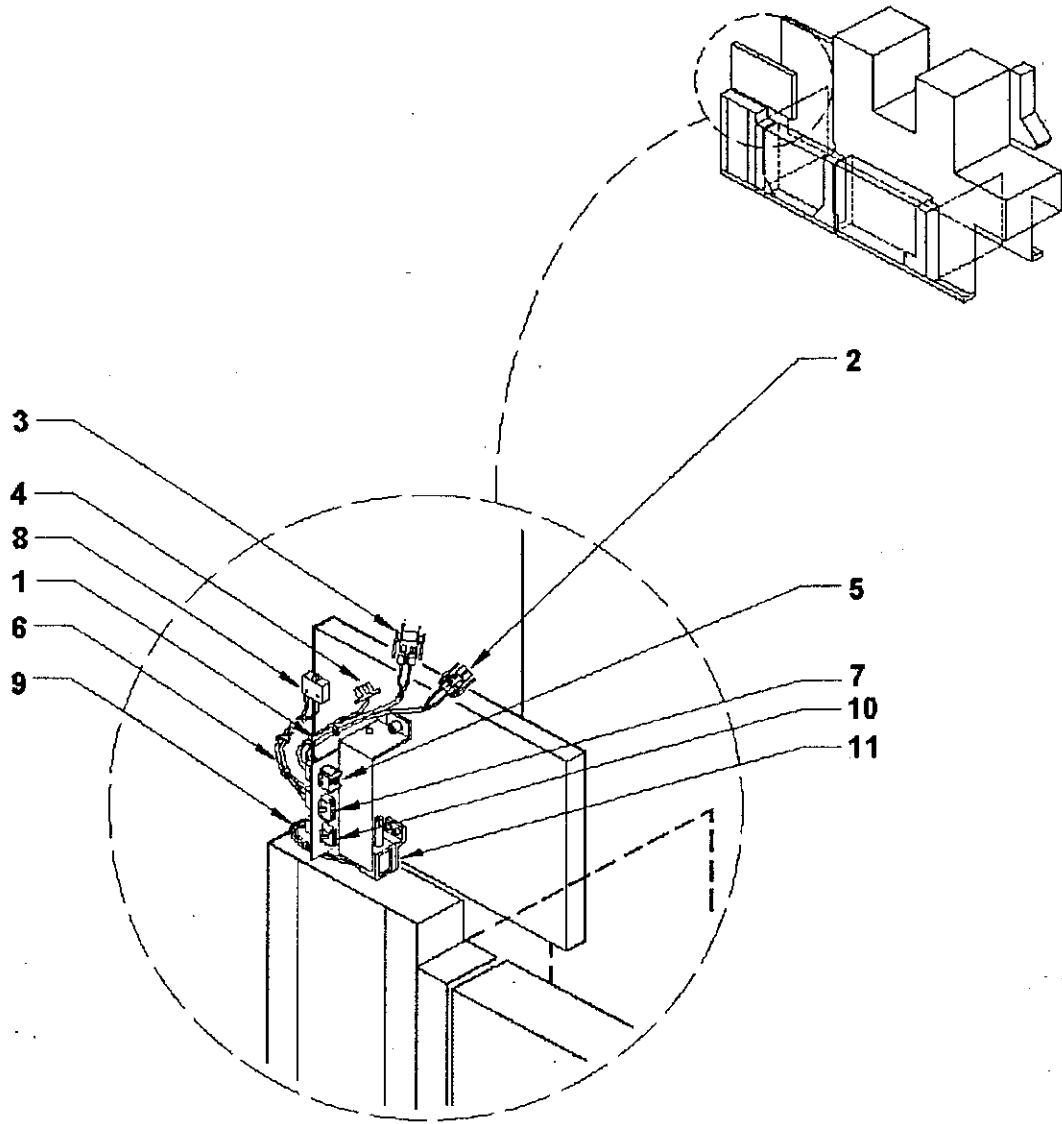


## INTER-TOWER SWITCH PANEL ASSEMBLY

<u>FIGURE</u>	<u>PART NUMBER</u>	<u>DESCRIPTION</u>	<u>UNITS PER ASSEMBLY</u>
1	178883	INTER-TOWER SWITCH PANEL ASSEMBLY	1
2	178371	BRACKET -- inter-tower switch	1
3	253864	SWITCH -- momentary push button.	3
4	254205	SWITCH -- momentary push button.	2
5	253868	LAMP -- 12V	5
6	253866	BEZEL	3
7	253865	BEZEL -- raised style	2
8	253861	LENS -- yellow	3
9	253860	LENS -- orange	2
10	254184	DIFFUSER -- water	1
11	254185	DIFFUSER -- ink	1
12	254186	DIFFUSER -- image	1
13	254189	DIFFUSER -- forward inch	1
14	254190	DIFFUSER -- reverse inch	1
15	173228	PC BOARD ASSEMBLY	1
16	100222	SCREW -- thread forming	1
17	100297	SCREW -- 6-32, machine	1
18	173383	BLOCK -- mounting	1
19	173384	BRACKET	1

# ELECTRICAL

---

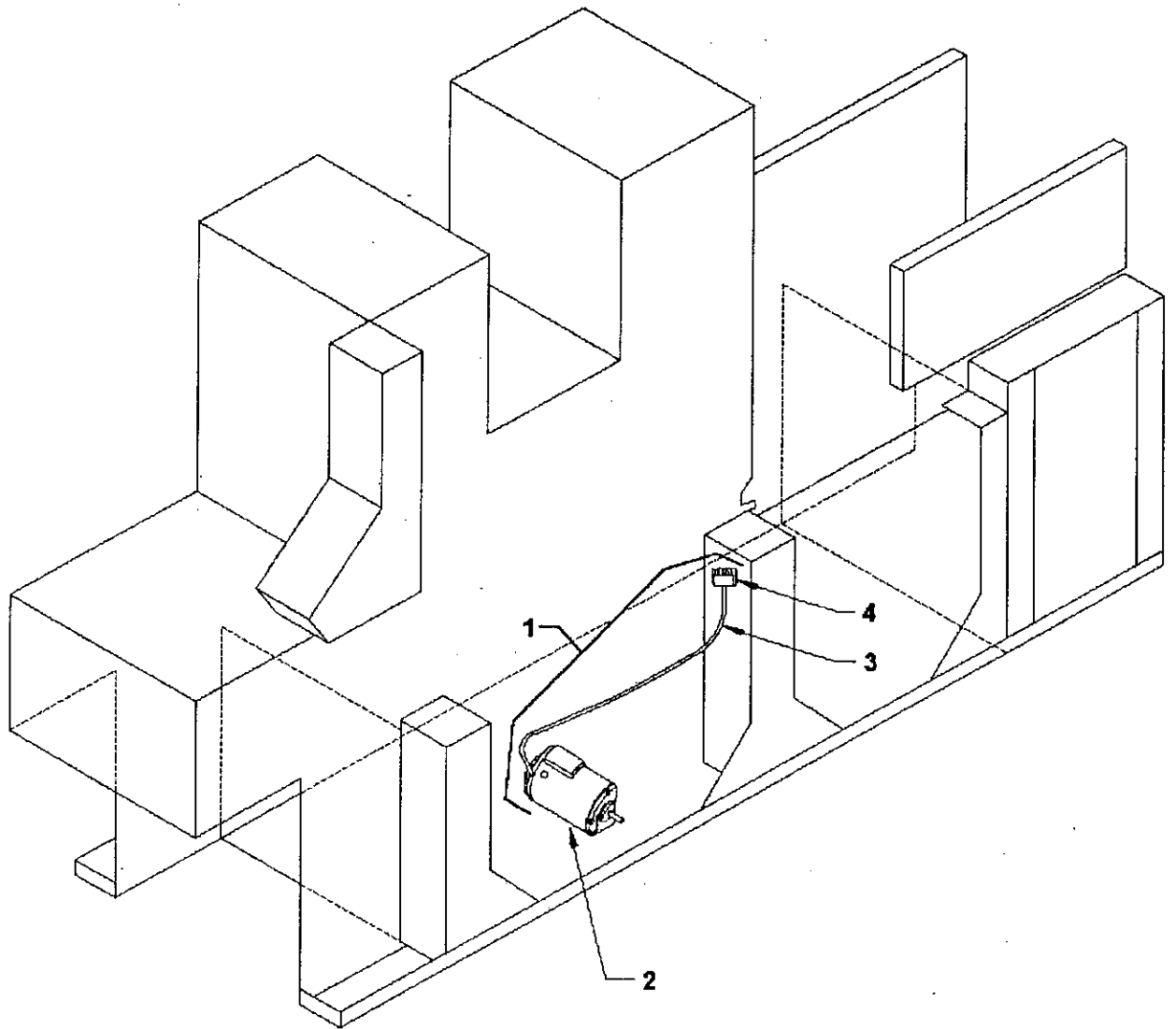


## FEEDER WIRING

<u>FIGURE</u>	<u>PART NUMBER</u>	<u>DESCRIPTION</u>	<u>UNITS PER ASSEMBLY</u>
1	172995	FEEDER SENSOR INTERCONNECT HARNESS	1
2	253384	P5013 -- connector, 2 circuit, to doubles transmitter	1
3	253383	J5014 -- connector, 2 circuit, to doubles receiver	1
4	252787	SENSOR -- switch, feed table height	1
5	253393	J5010 -- connector, 12 circuit	1
6	172996	FEED TABLE LIMIT SWITCH HARNESS	1
7	252387	J9901 -- connector, 2 circuit	1
8	253822	SWITCH -- feed table limit	1
9	172997	BAIL BAR SOLENOID HARNESS	1
10	253287	J5051 -- connector, 2 circuit	1
11	253375	SOLENOID -- bail bar	1

# ELECTRICAL

---

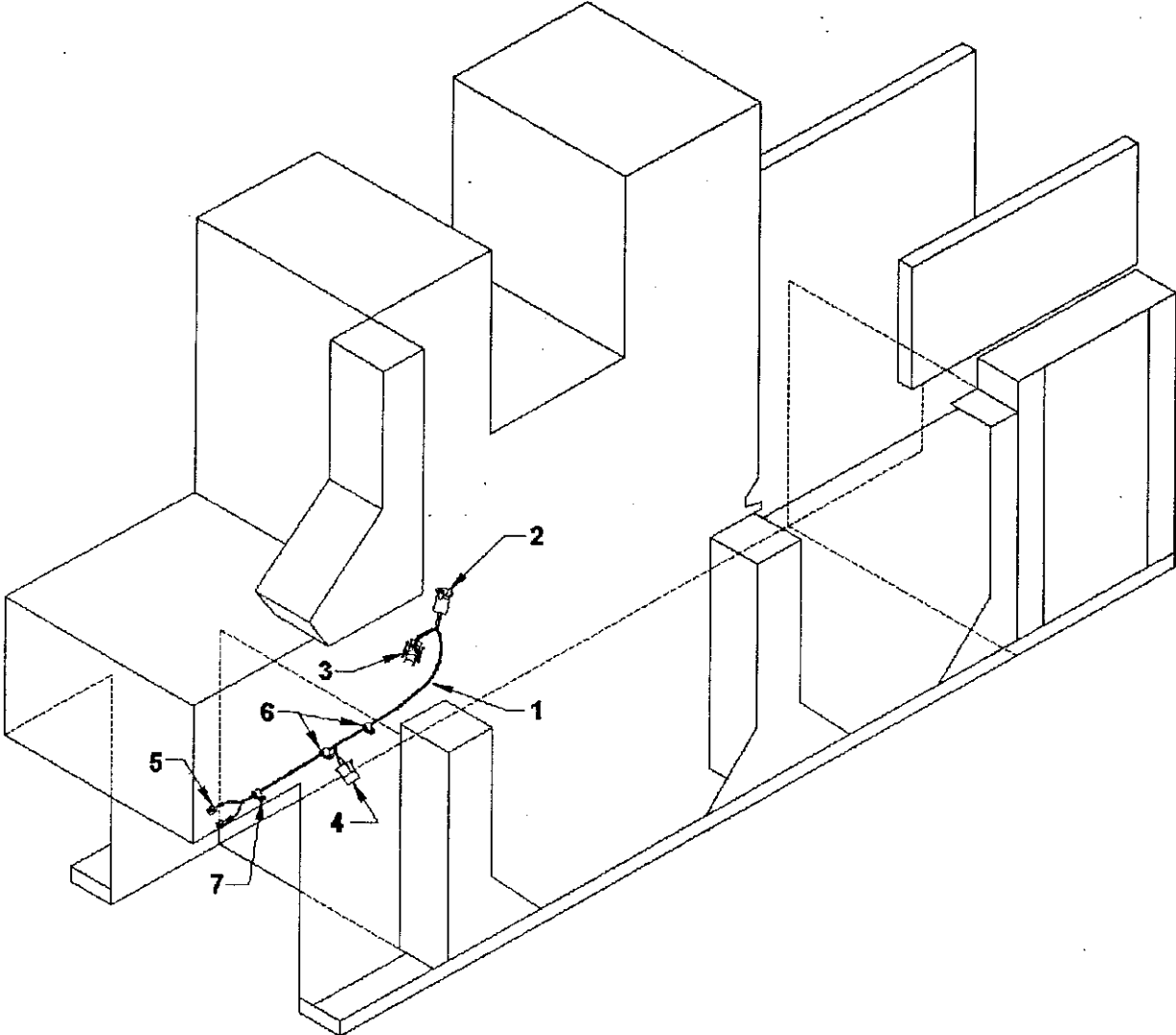


**AIR/VACUUM POWER CORD**

<u>FIGURE</u>	<u>PART NUMBER</u>	<u>DESCRIPTION</u>	<u>UNITS PER ASSEMBLY</u>
1	172555	AIR/VACUUM MOTOR ASSEMBLY -- for reference only	1
2	017858	MOTOR	1
3	172560	AIR/VACUUM POWER CORD	1
4	253328	P3602 -- 5 circuit	1

# ELECTRICAL

---



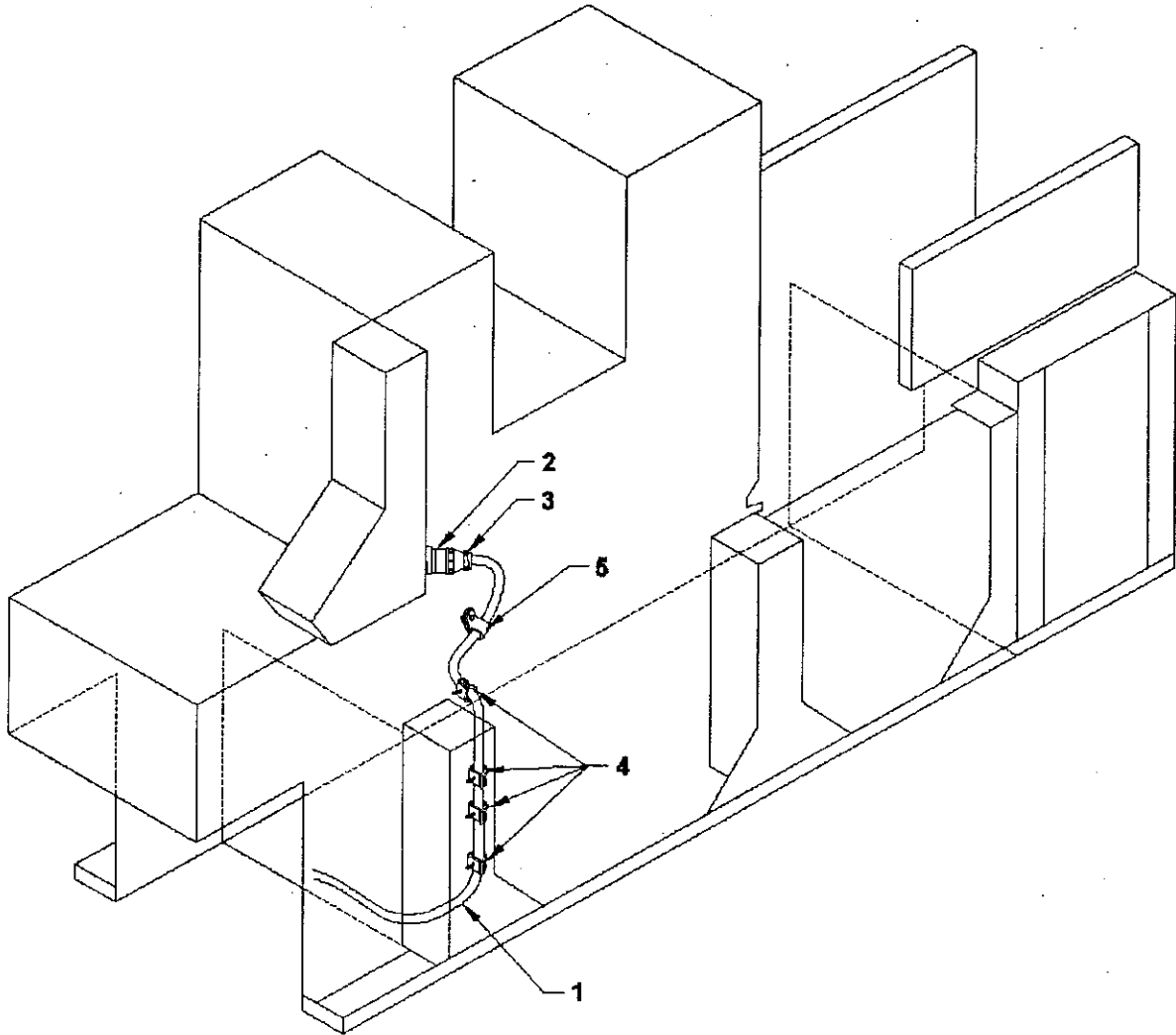


## POWDER SPRAY CHAIN DELIVERY HARNESS

<u>FIGURE</u>	<u>PART NUMBER</u>	<u>DESCRIPTION</u>	<u>UNITS PER ASSEMBLY</u>
1	172985	HARNESS -- powder spray chain delivery	1
2	253287	P9902 -- connector, 2 circuit	1
3	253387	P9701 -- connector, 4 circuit	1
4	250586	P9905 -- connector, 3 circuit	1
5	250920	L28-1; L28-2 -- to powder spray terminal o/f	2
6	250356	CLAMP -- cable, 2"	2
7	250273	CLAMP --cable, 7/16"	1

# ELECTRICAL

---

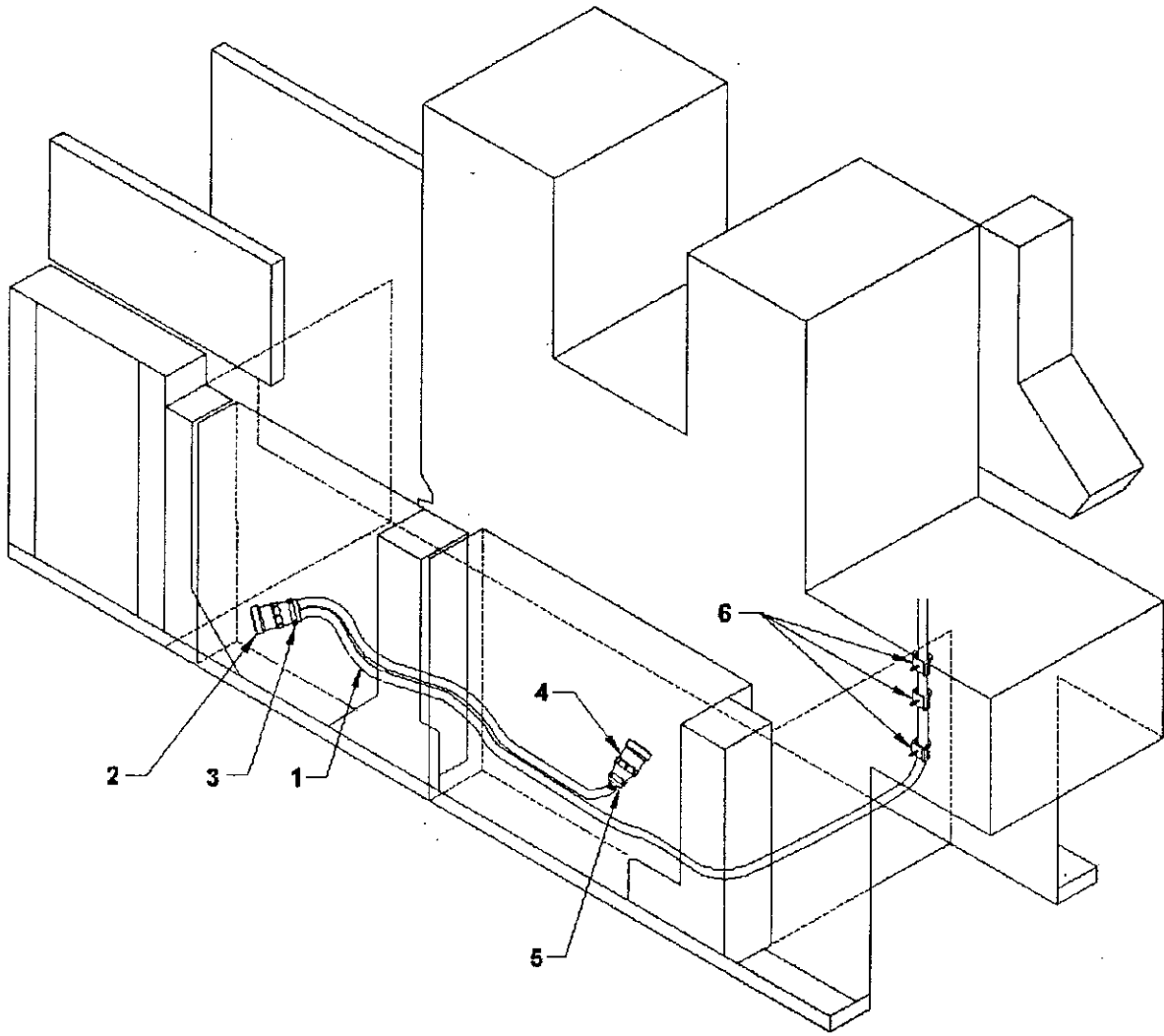


## DC POWER CABLE ASSEMBLY (OS)

<u>FIGURE</u>	<u>PART NUMBER</u>	<u>DESCRIPTION</u>	<u>UNITS PER ASSEMBLY</u>
1	172986	DC POWER CABLE ASSEMBLY -- os	1
2	254157	J7102 -- plug, 7 circuit	1
3	254160	CLAMP -- cable	1
4	250077	TIE WRAP	4
5	254472	CLAMP -- cable, 5/8"	1

# ELECTRICAL

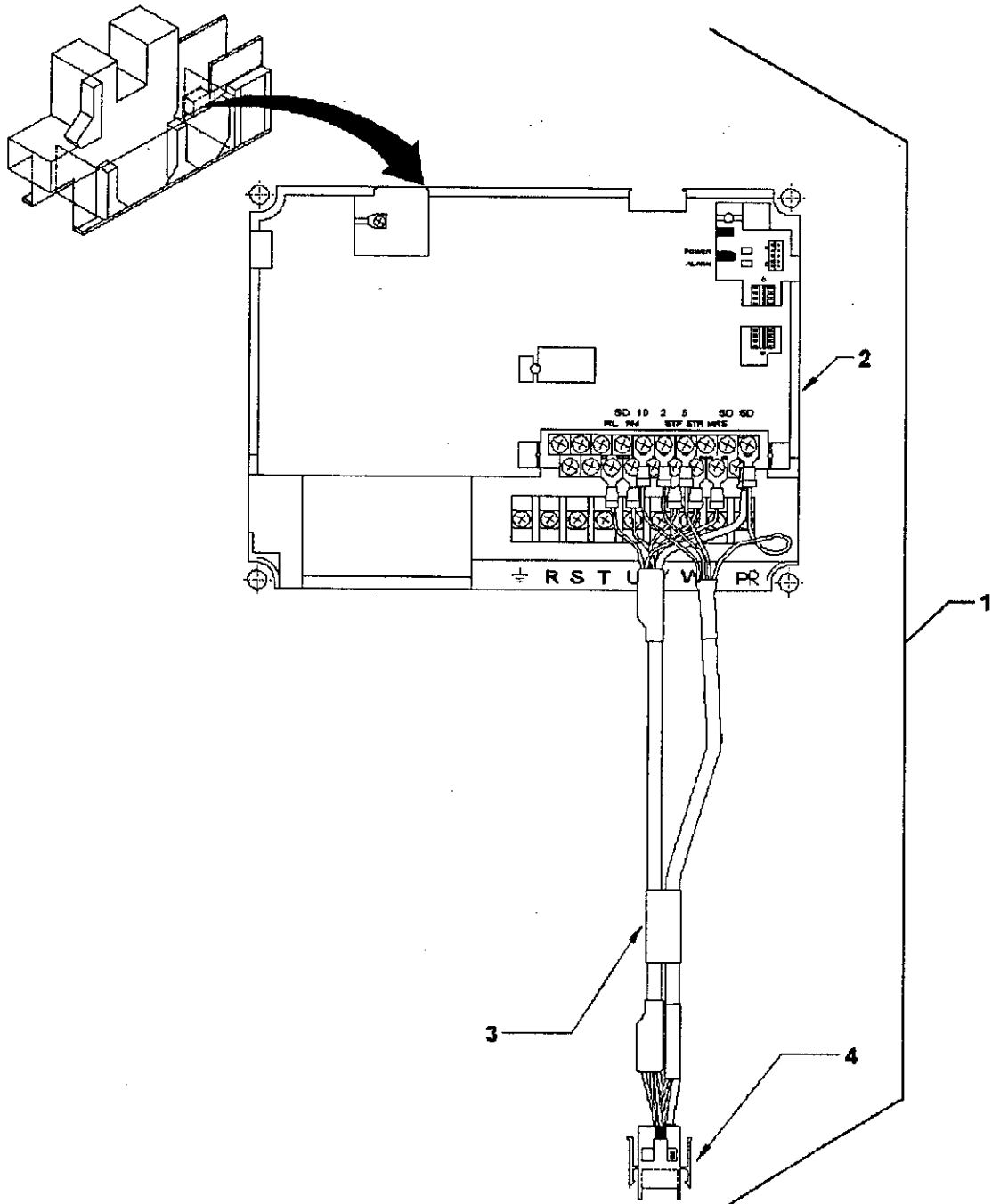
---



## DC POWER CABLE ASSEMBLY (NOS)

<u>FIGURE</u>	<u>PART NUMBER</u>	<u>DESCRIPTION</u>	<u>UNITS PER ASSEMBLY</u>
1	172986	DC POWER CABLE ASSEMBLY -- nos	1
2	254157	P3606 -- 7 circuit, from distribution box	1
3	254161	CLAMP -- cable	1
4	254157	P4403 -- 7 circuit, to control box	1
5	254160	CLAMP -- cable	2
6	250077	TIE WRAP	3

# ELECTRICAL

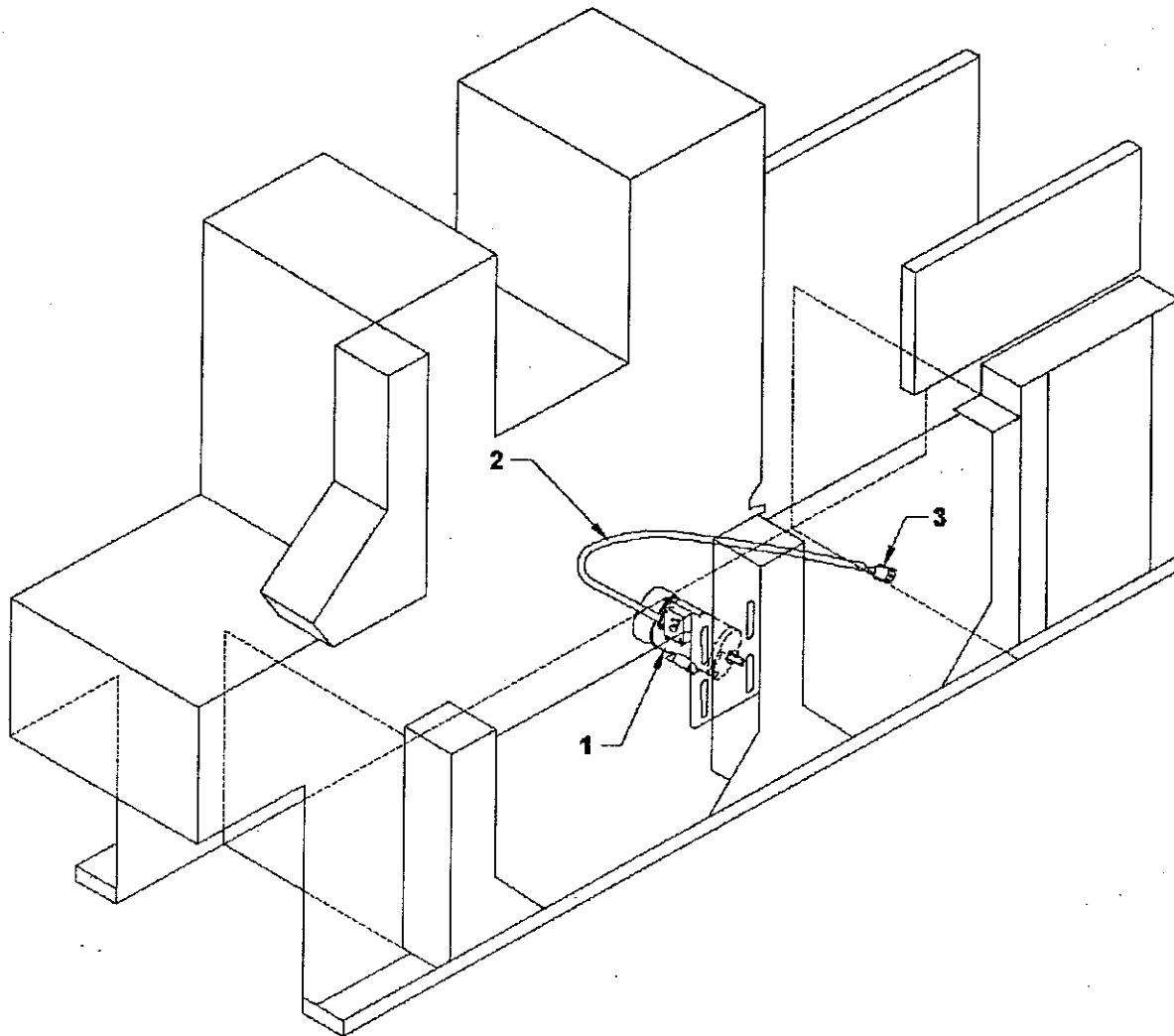


## INVERTER ASSEMBLY

<u>FIGURE</u>	<u>PART NUMBER</u>	<u>DESCRIPTION</u>	<u>UNITS PER ASSEMBLY</u>
1	173480	DRIVE MOTOR INVERTER ASSEMBLY	1
2	172455	INVERTER -- drive motor	1
3	173418	HARNESS -- drive motor inverter control signal	1
4	253393	J5005 -- connector, 12 circuit	1

# ELECTRICAL

---

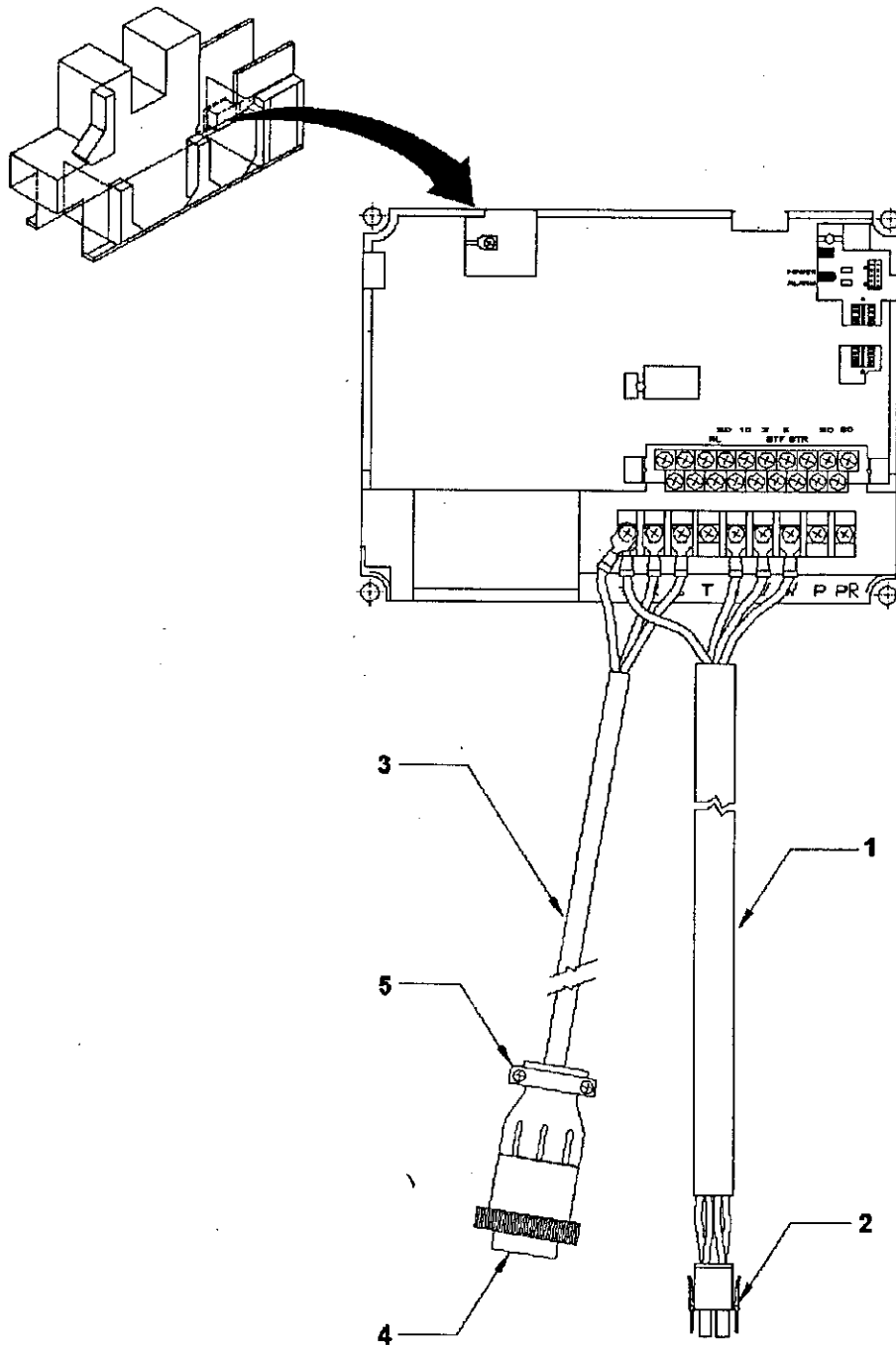




## INCH MONITOR -- DRIVE MOTOR CABLE

<u>FIGURE</u>	<u>PART NUMBER</u>	<u>DESCRIPTION</u>	<u>UNITS PER ASSEMBLY</u>
1	253911	DRIVE MOTOR	1
2	178307	CABLE -- inch monitor, drive motor	1
3	253303	P4408 -- 6 circuit	1

# ELECTRICAL

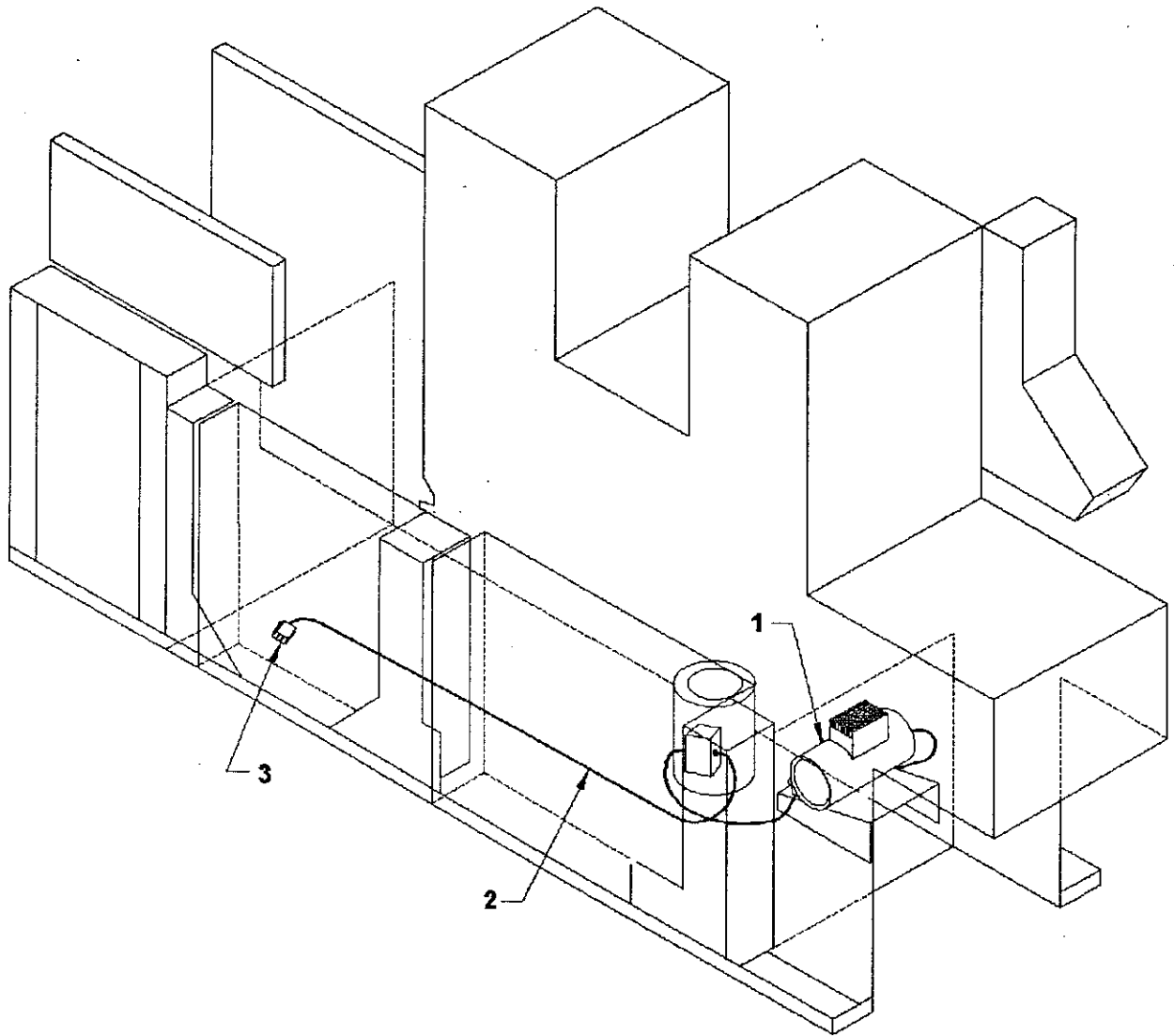


## DRIVE MOTOR INVERTER ASSEMBLY

<u>FIGURE</u>	<u>PART NUMBER</u>	<u>DESCRIPTION</u>	<u>UNITS PER ASSEMBLY</u>
1	173415	POWER CORD -- drive motor	1
2	253329	J4408 -- 6 circuit	1
3	172561	POWER CORD -- inverter	1
4	254151	J3601 -- 3 circuit	1
5	254152	STRAIN RELIEF	1

# ELECTRICAL

---

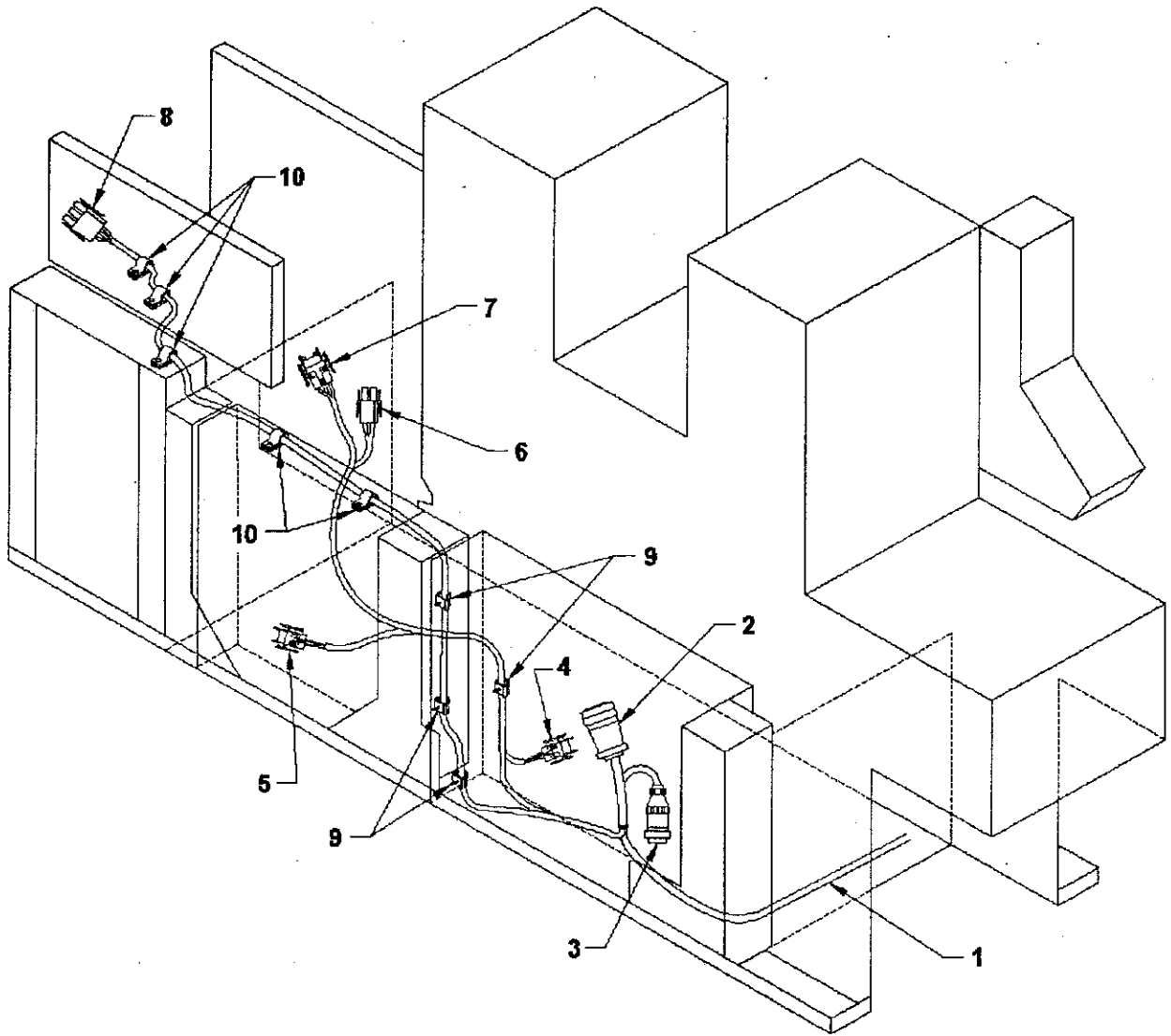


## PNEUMATIC COMPRESSOR ASSEMBLY

<u>FIGURE</u>	<u>PART NUMBER</u>	<u>DESCRIPTION</u>	<u>UNITS PER ASSEMBLY</u>
1	172499	COMPRESSOR -- with power cord to regulator	1
2	172563	POWER HARNESS -- pneumatic compressor	1
3	253277	P3603 -- 3 circuit	1

# ELECTRICAL

---

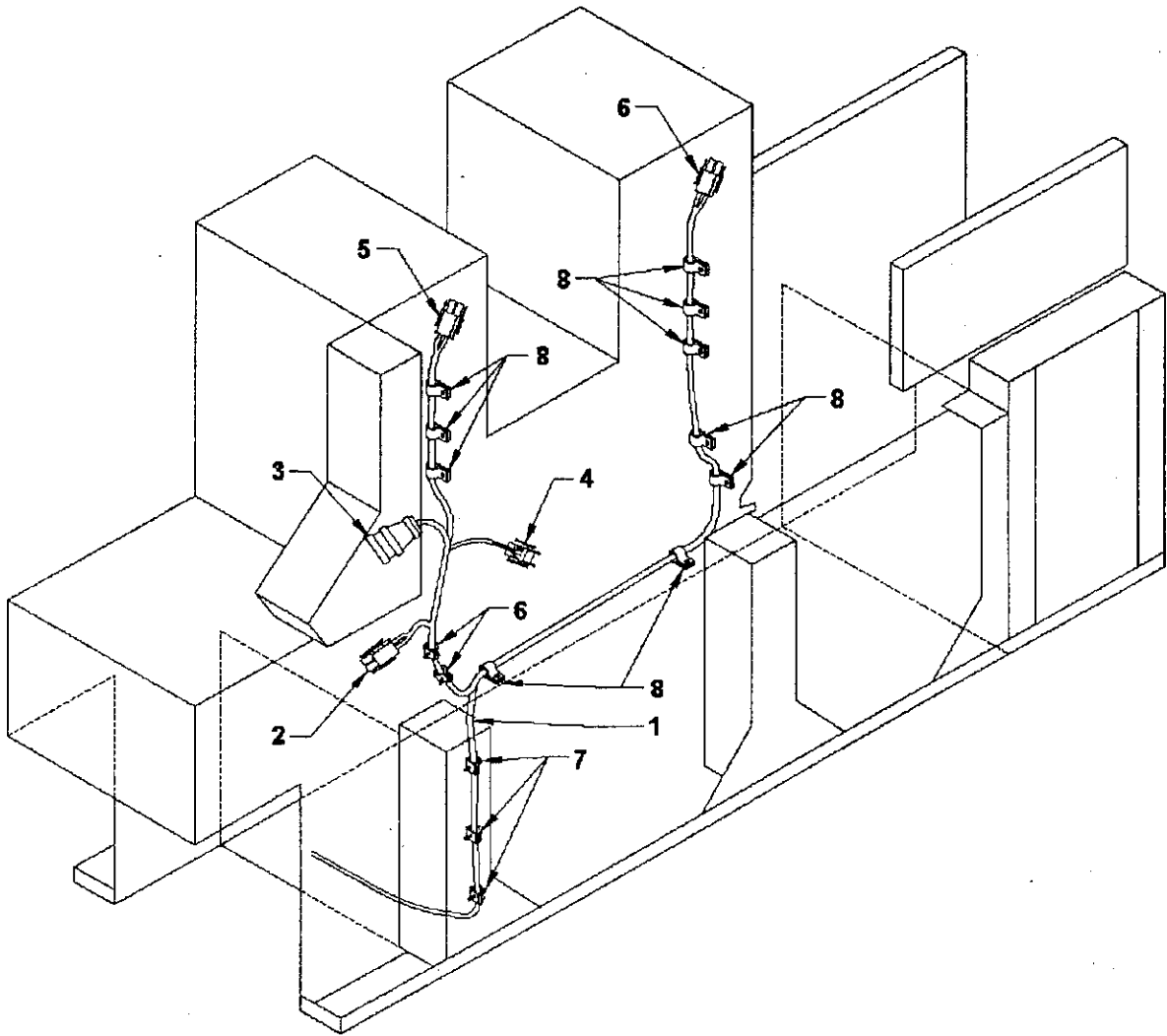


## NOS MOTOR DRIVE HARNESS

<u>FIGURE</u>	<u>PART NUMBER</u>	<u>DESCRIPTION</u>	<u>UNITS PER ASSEMBLY</u>
1	173414	MOTOR DRIVE HARNESS	1
2	250931	J4405 -- 37 circuit, cpc from control box	1
3	253898	P4404 -- 4 circuit, cpc from control box	1
4	253383	J5004 -- 2 circuit, relay interconnect	1
5	253391	J3607 -- 9 circuit, to distribution box	1
6	253286	P5002 -- 2 circuit, to feed raise/lower motor	1
7	253394	P5005 -- 12 circuit, to motor controller	1
8	253277	P9901 -- 3 circuit, to table limit	1
9	250077	TIE WRAP -- black	4
10	254472	CLAMP -- cable	5

# ELECTRICAL

---



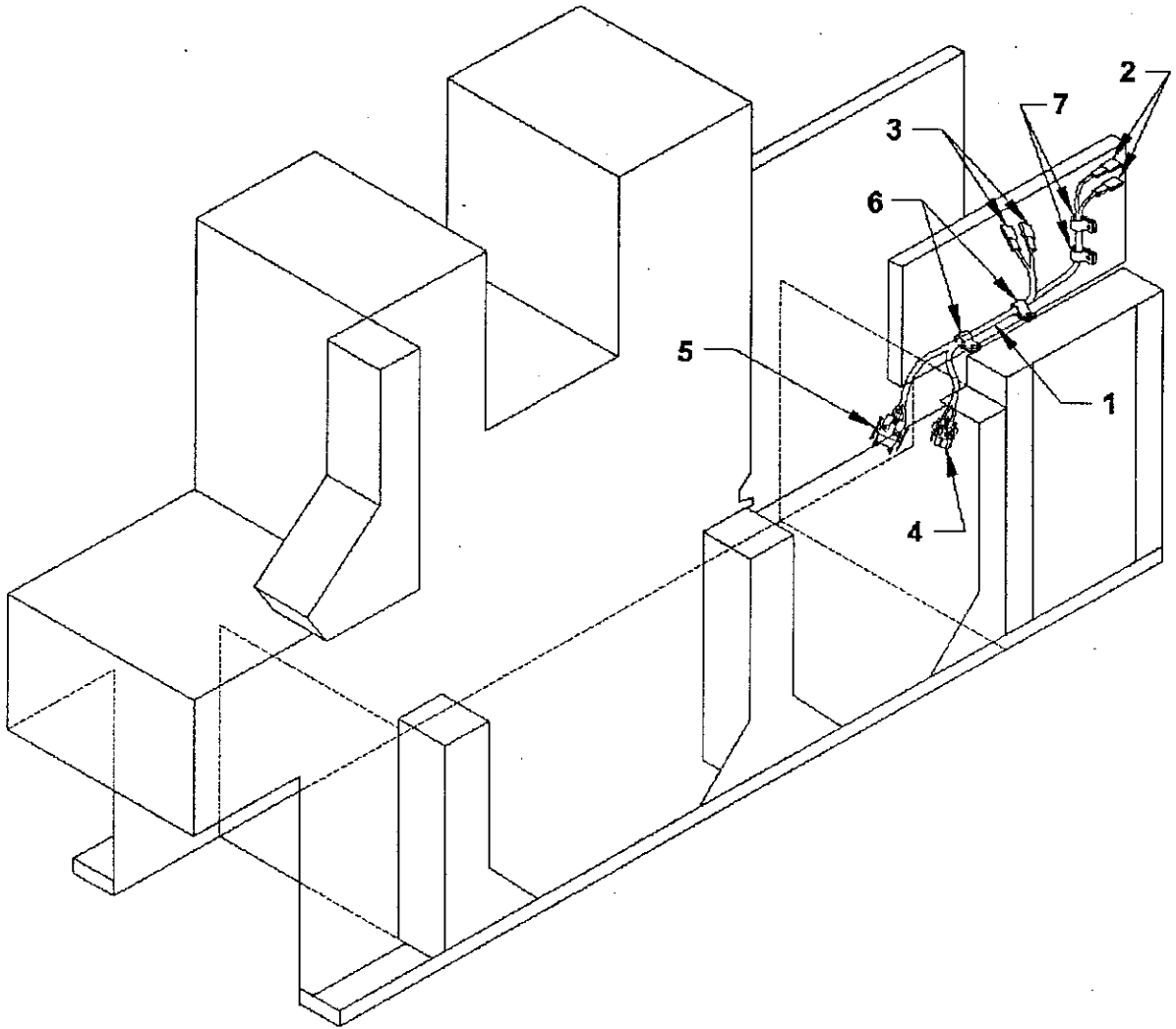


## OS MOTOR DRIVE HARNESS

<u>FIGURE</u>	<u>PART NUMBER</u>	<u>DESCRIPTION</u>	<u>UNITS PER ASSEMBLY</u>
1	173414	MOTOR DRIVE HARNESS -- for reference only	1
2	253286	P9902 -- 2 circuit, to IR dryer	1
3	250945	J7101 -- 37 circuit, to control panel	1
4	253383	J8702 -- 2 circuit, to control panel emergency stop	1
5	253286	P5001 -- 2 circuit, to dampener motor 2	1
6	253286	P5000 -- 2 circuit, to dampener motor 1	1
7	250077	TIE WRAP	4
8	254472	CLAMP -- cable	5

# ELECTRICAL

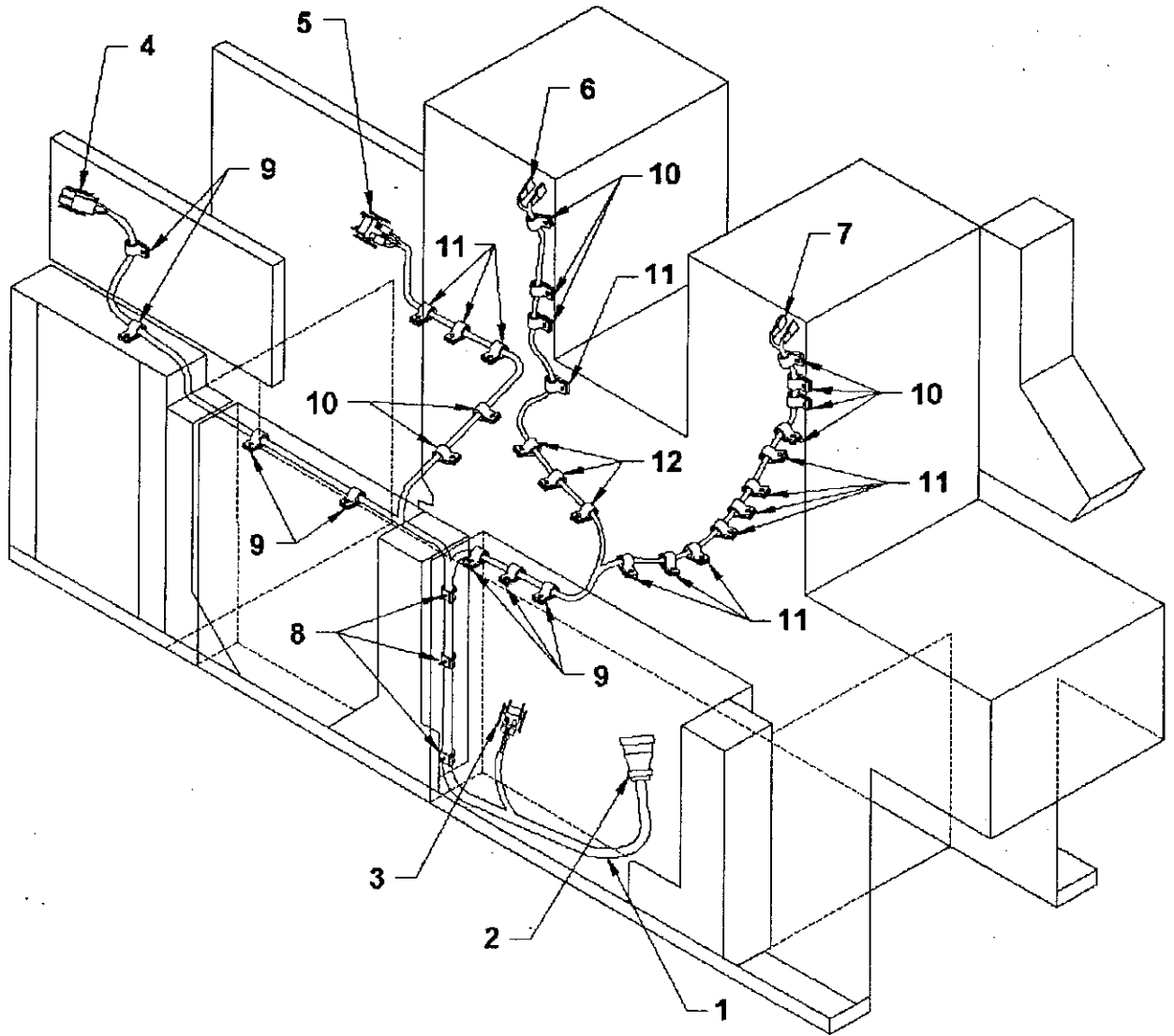
---



## FEEDER HARNESS (OS)

<u>FIGURE</u>	<u>PART NUMBER</u>	<u>DESCRIPTION</u>	<u>UNITS PER ASSEMBLY</u>
1	172994	FEEDER HARNESS -- os	1
2	254406	S3B-11; S3B-12 --terminal, to feeder e-stop switch	2
3	254403	L25-1; L25-2 -- terminal, to feed solenoid	2
4	252793	J5050 -- housing connector, 3 circuit, to feed solenoid	1
5	253384	P9401 -- connector, 2 circuit, to feeder e-stop	1
6	250098	CLAMP -- cable, 3/8"	1
7	250342	CLAMP --cable, clear	1

# ELECTRICAL

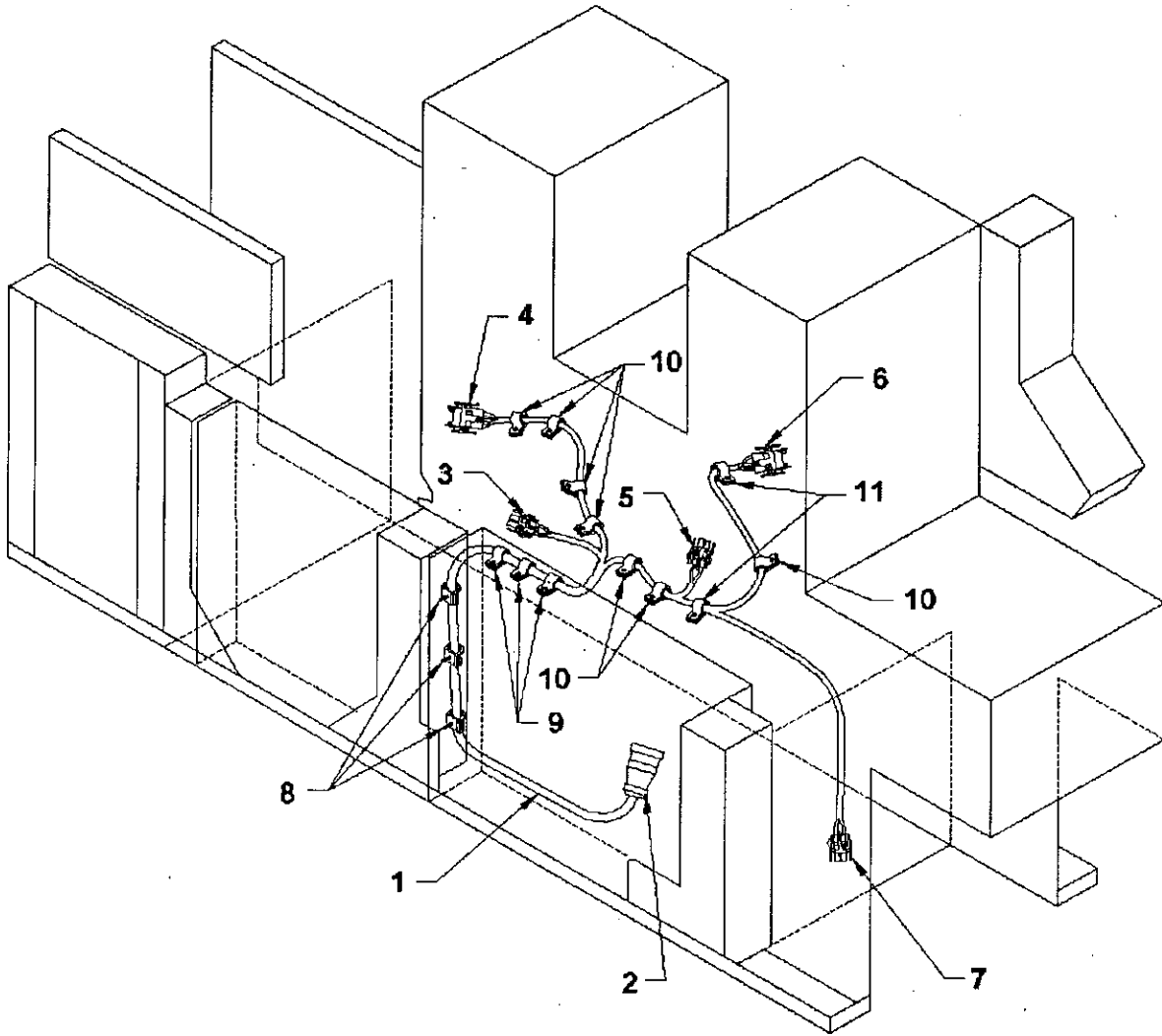


## AC DEVICE CONTROL HARNESS

<u>FIGURE</u>	<u>PART NUMBER</u>	<u>DESCRIPTION</u>	<u>UNITS PER ASSEMBLY</u>
1	172886	AC DEVICE CONTROL HARNESS	1
2	254204	J4406 -- 28 circuit, cpc, from control box	1
2	254152	CLAMP -- cable	1
3	253384	P5004 -- connector, 2 circuit, to distribution box	1
4	253286	P5051 -- connector, 2 circuit, to bail bar solenoid	1
5	253386	P5050 -- connector, 3 circuit, to feed solenoid	1
6	250062	L26 -- receptacle, to tower one ink duct solenoid	2
7	250062	L24 -- receptacle, to tower two ink duct solenoid	2
8	250077	TIE WRAP -- black	3
9	254472	CLAMP -- cable, 5/8"	7
10	250342	CLAMP -- cable, clear	9
11	250203	CLAMP -- cable, 1/4"	11
12	250098	CLAMP -- cable, 3/8"	3

# ELECTRICAL

---

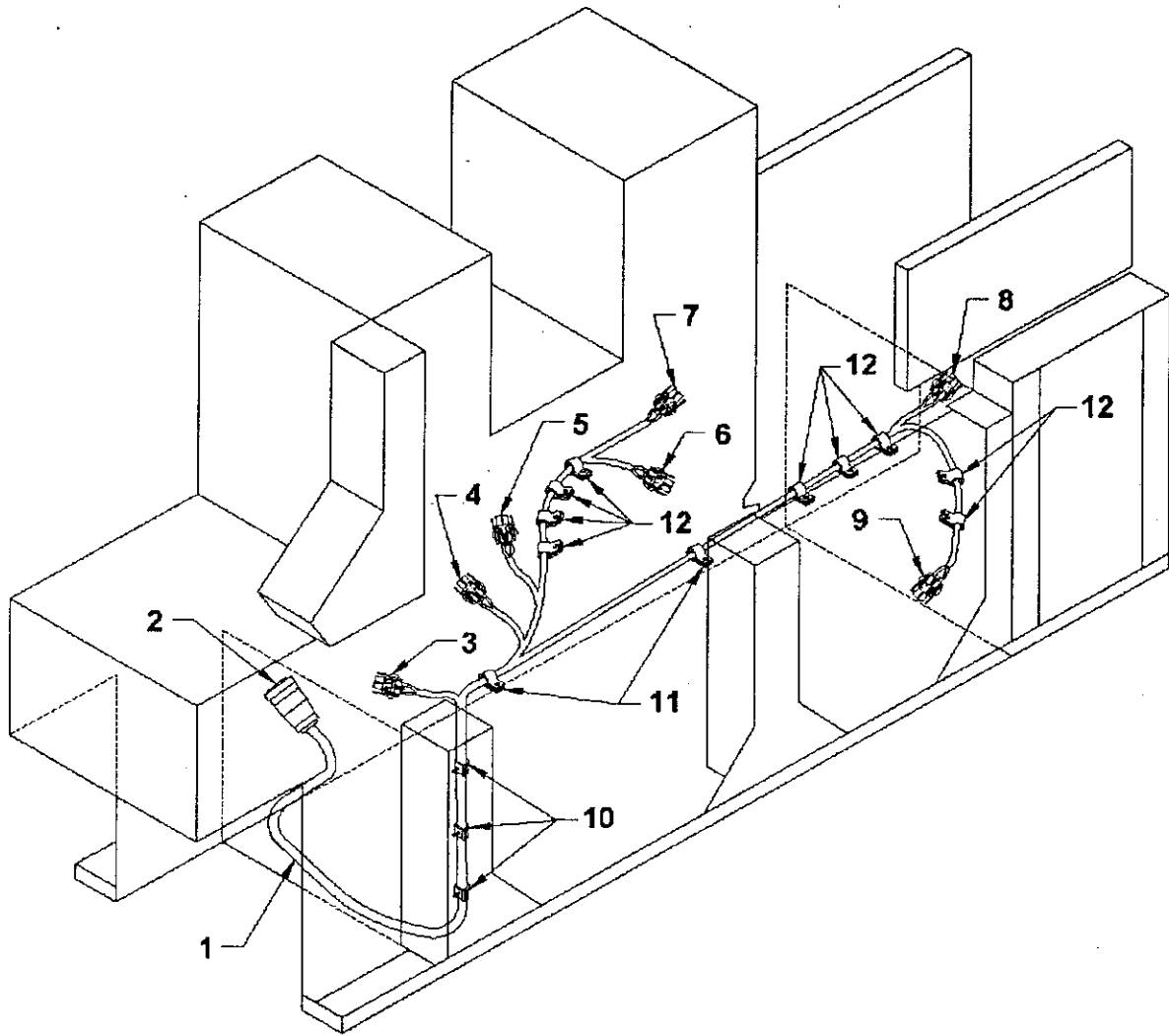


## AIR SOLENOID HARNESS (NOS)

<u>FIGURE</u>	<u>PART NUMBER</u>	<u>DESCRIPTION</u>	<u>UNITS PER ASSEMBLY</u>
1	172698	AIR SOLENOID -- nos	1
2	250945	P4400 -- connector, 37 circuit, cpc, from control box	1
2	254160	CLAMP -- cable	1
3	253388	P9801 -- connector, 4 circuit, L14, 15	1
4	253392	P9802 -- connector, 9 circuit, L11, L12, L13, L20	1
5	253388	P9803 -- connector, 4 circuit, L16, L17	1
6	253392	P9805 -- connector, 9 circuit, L18, L19, L21, L22	1
7	253384	P9804 -- connector, 2 circuit, oiler (L23)	1
8	250077	TIE WRAP -- black	as needed
9	254472	CLAMPS -- cable, 5/8"	as needed
10	250273	CLAMPS -- cable, 7/16"	as needed
11	250203	CLAMPS -- cable, 1/4"	as needed

# ELECTRICAL

---

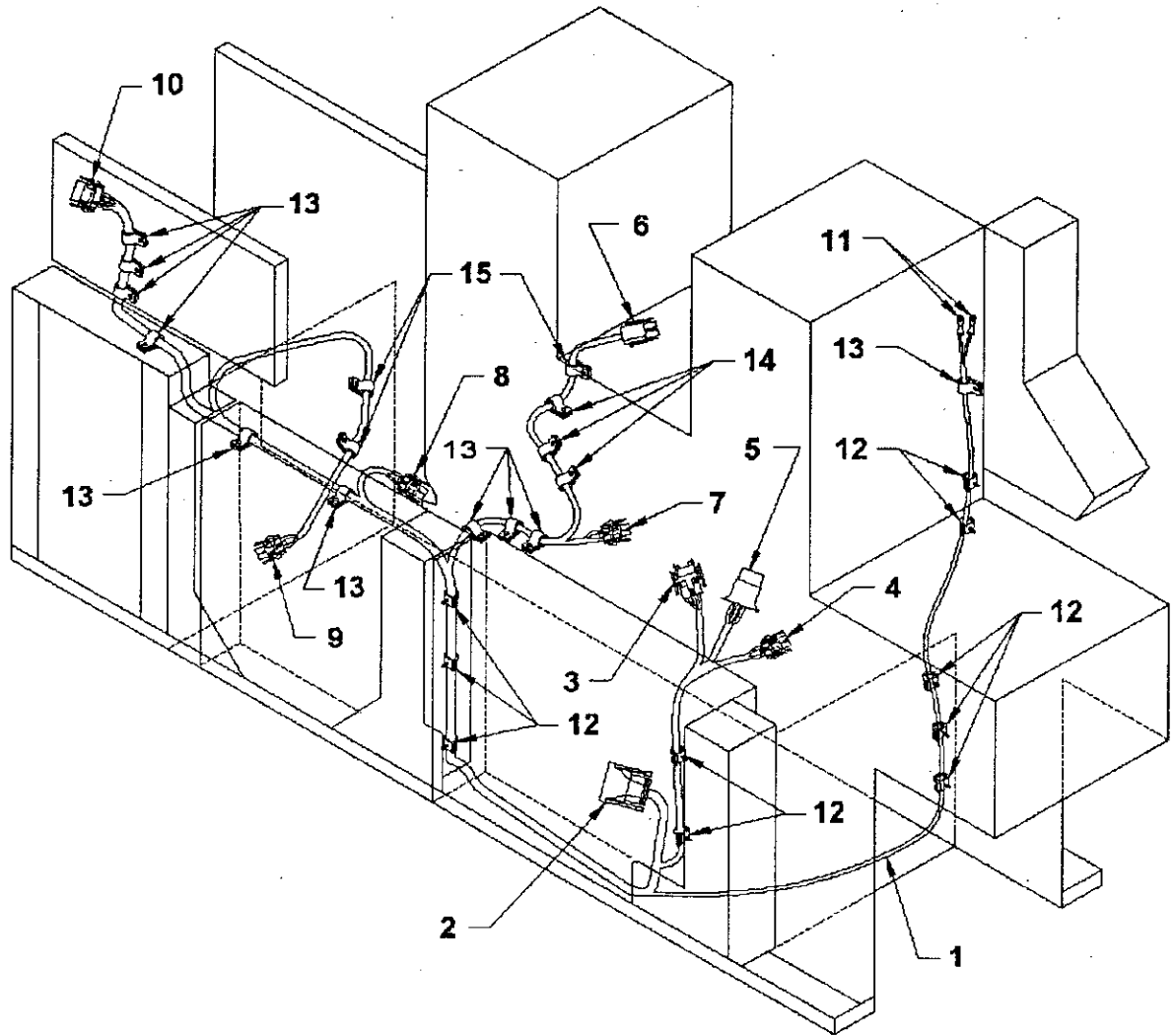




## AIR SOLENOID HARNESS (OS)

<u>FIGURE</u>	<u>PART NUMBER</u>	<u>DESCRIPTION</u>	<u>UNITS PER ASSEMBLY</u>
1	172697	AIR SOLENOID -- os	1
2	250945	P4401 -- 37 circuit, from control box	1
2	254160	CLAMP -- cable	1
3	253388	P9701 -- 4 circuit, to powder spray	1
4	253388	P9702 -- 4 circuit, L1, L2	1
5	253388	P9703 -- 4 circuit, L3, L4	1
6	253388	P9704 -- 4 circuit, L5, L6	1
7	253388	P9705 -- 4 circuit, L7, L8	1
8	253384	P5003 -- 2 circuit, doubles divert	1
9	253384	P5030 -- 2 circuit, raise/lower brake	1
10	250077	TIE WRAP -- black	3
11	254472	CLAMP -- cable, 5/8"	as needed
12	250203	CLAMP -- cable, 1/4"	as needed

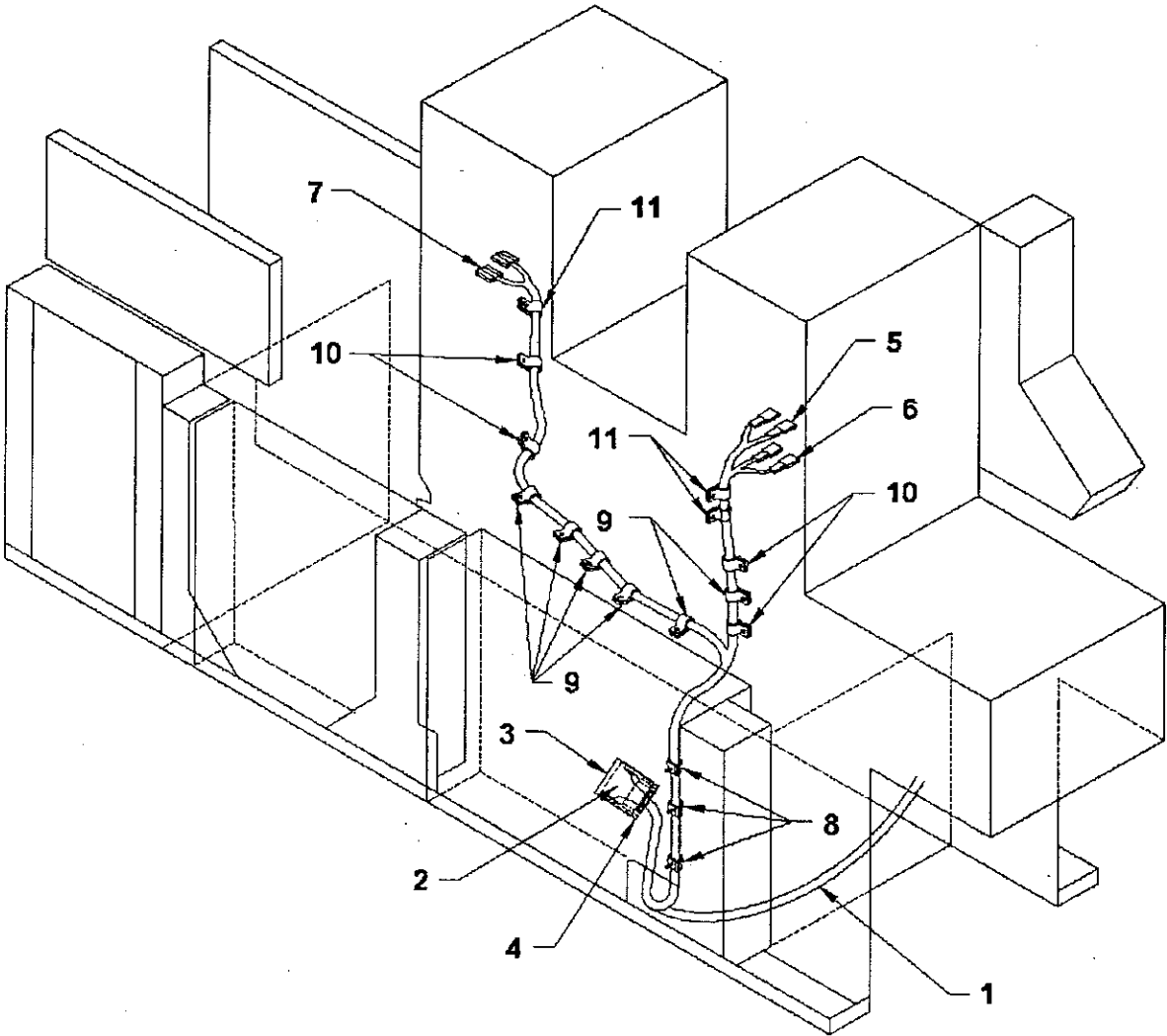
# ELECTRICAL



## SENSORS

<u>FIGURE</u>	<u>PART NUMBER</u>	<u>DESCRIPTION</u>	<u>UNITS PER ASSEMBLY</u>
1	172696	SENSOR CABLE ASSEMBLY	1
2	172543	P0401 -- 75 circuit, bulkhead connector, from control box	1
2	172548	SHIELD	1
2	254398	SCREW -- Jack	1
3	253390	P5011 -- 6 circuit, to machine encoder	1
4	253384	P5015 -- 2 circuit, to delivery switch	1
5	250586	P5008 -- 3 circuit, to powder spray assembly/paper out	1
6	254445	P5012 -- 4 circuit, to blanket detector (tower one)	1
7	253384	P5018 -- 2 circuit, to air pressure switch	1
8	253388	P5007 -- 4 circuit, to paper transfer	1
9	253388	P5016 -- 4 circuit, to feed table encoder	1
10	253394	P5010 -- 12 circuit, to paper height assembly	1
11		S25 -- to oil pressure	1
12	250077	TIE WRAP -- black	as needed
13	254472	CLAMPS -- cable, 5/8"	as needed
14	250273	CLAMPS -- cable, 7/16"	as needed
15	250203	CLAMPS -- cable, 1/4"	as needed

# ELECTRICAL

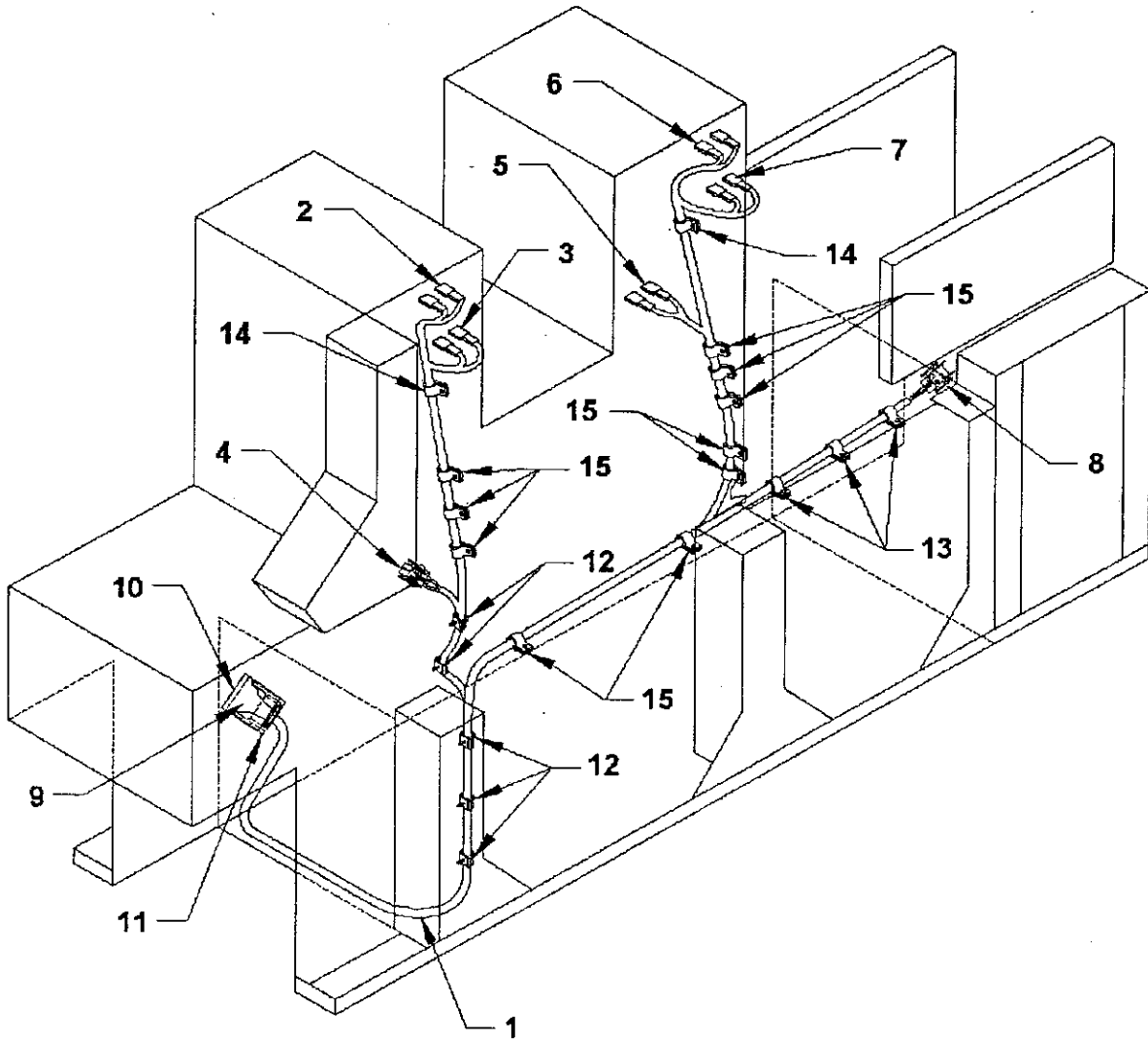


## GUARD SWITCHES (NOS)

<u>FIGURE</u>	<u>PART NUMBER</u>	<u>DESCRIPTION</u>	<u>UNITS PER ASSEMBLY</u>
1	172695	GUARD SWITCH HARNESS	1
2	172542	P4409 -- connector, 34 circuit, from control box	1
3	172547	SHIELD	1
4	172544	SCREW -- Jack	2
5	254406	S6 -- terminal, o/no to tower two blanket switch	2
6	254406	S5 -- terminal, o/no to chain delivery switch	2
7	250060	S8 -- terminal, o/f to tower one blanket switch	2
8	250077	TIE WRAP -- black	3
9	250273	CLAMP -- cable, 7/16"	6
10	250203	CLAMP -- cable, 1/4"	4
11	250342	CLAMP -- cable, clear	3

# ELECTRICAL

---

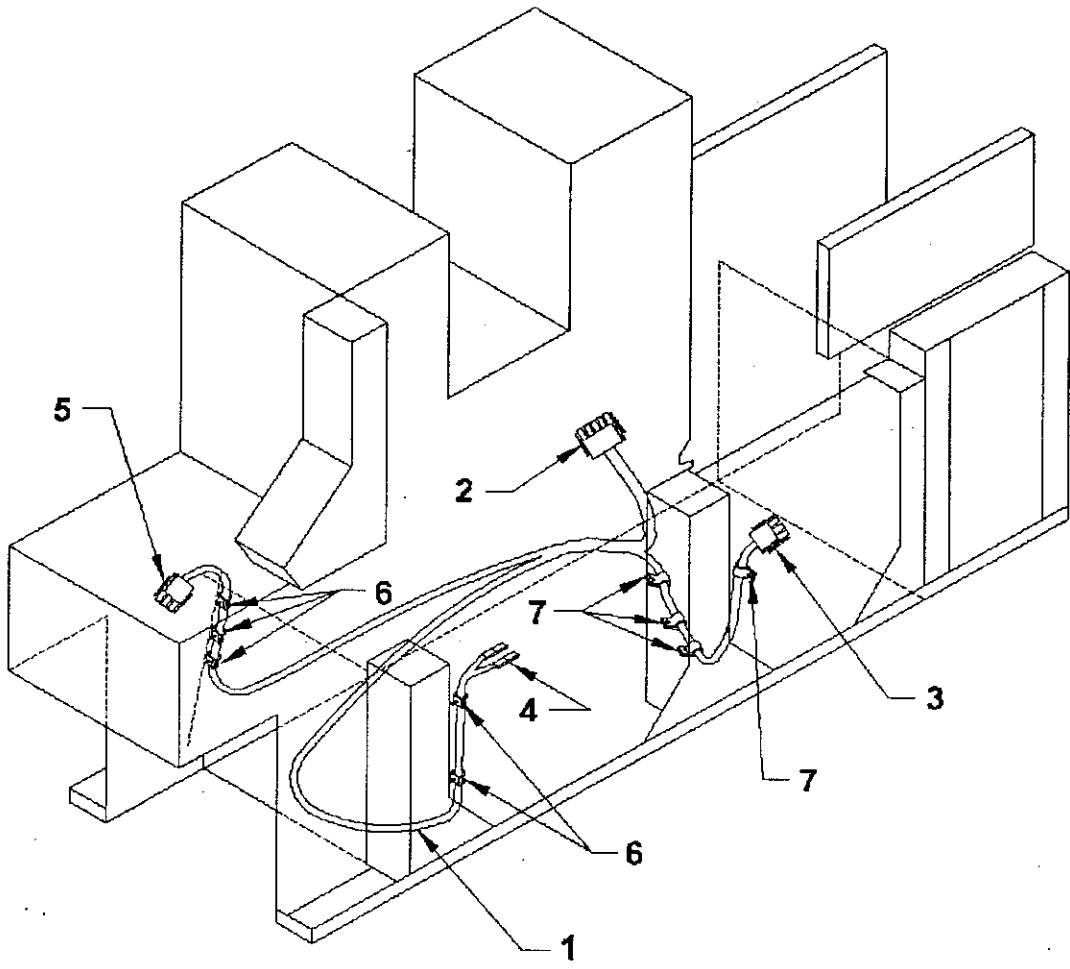


## GUARD SWITCHES (OS)

<u>FIGURE</u>	<u>PART NUMBER</u>	<u>DESCRIPTION</u>	<u>UNITS PER ASSEMBLY</u>
1	172695	SWITCHES -- guard	1
2	254406	S11 -- terminal, o/no to tower two plate switch	2
3	254406	S10 -- terminal, o/no to tower two ink switch	2
4	253384	P8702 -- connector, 2 circuit, delivery e-stop S28	1
5	254406	S7 -- terminal, o/no to impression switch	2
6	254406	S12 -- terminal, o/no to tower one ink switch	2
7	254406	S13 -- terminal, o/no to tower one plate switch	2
8	253383	J9401 -- connector, 2 circuit, feeder e-stop	1
9	172542	P4409 -- connector, 34 circuit, from control box	1
10	172547	SHIELD	1
11	172544	SCREW -- Jack	1
12	250077	TIE WRAP -- black	5
13	250203	CLAMP -- cable, 1/4"	3
14	250342	CLAMP -- cable, clear	2
15	254472	CLAMP -- cable, 5/8"	10

# ELECTRICAL

---



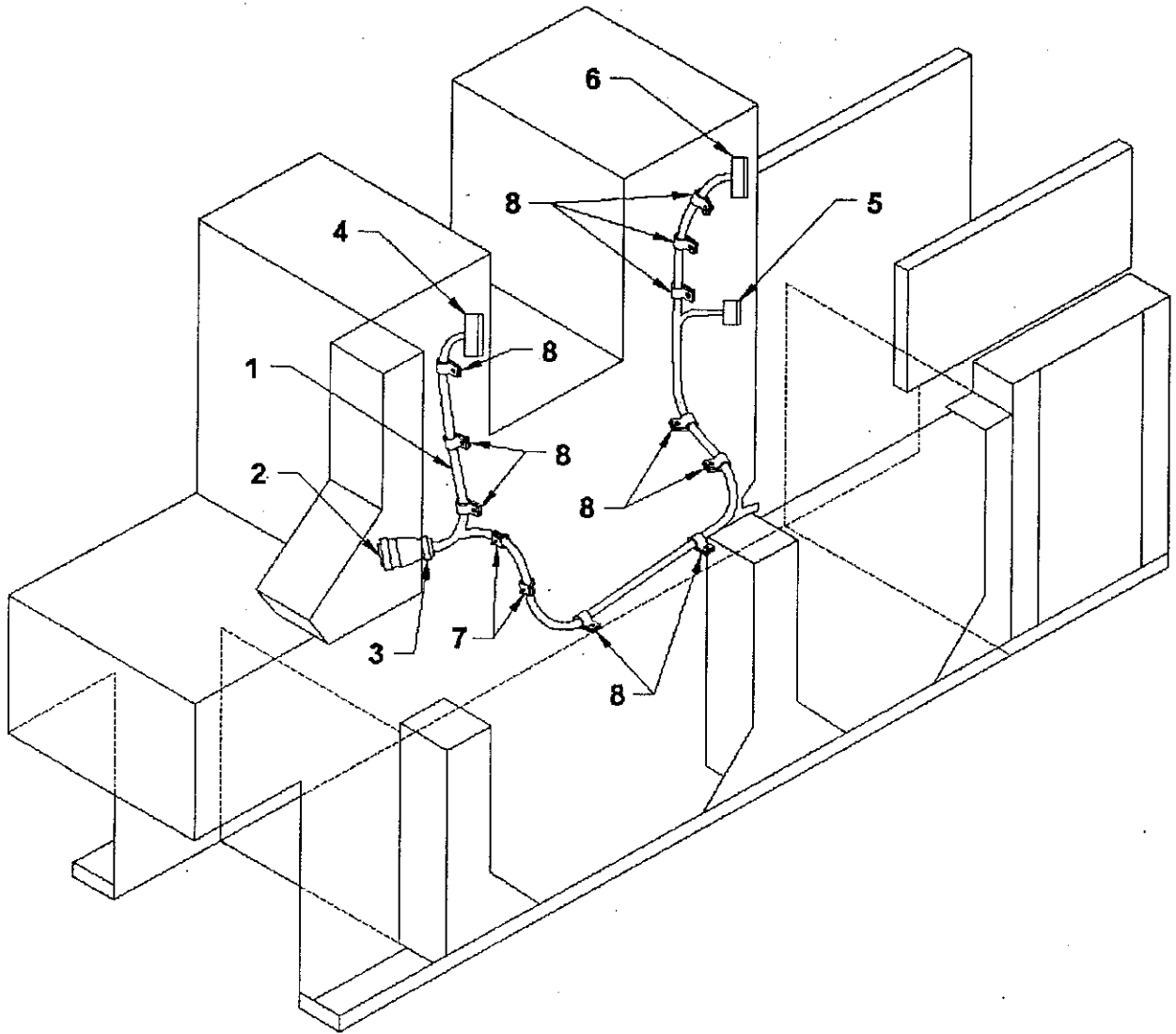


## ACCESSORY POWER

<u>FIGURE</u>	<u>PART NUMBER</u>	<u>DESCRIPTION</u>	<u>UNITS PER ASSEMBLY</u>
1	172553	ACCESSORY POWER	1
2	253729	P3605 -- 15 circuit, from distribution box	1
3	253386	P5031 -- 3 circuit, static eliminator	1
4	254401	L36 -- to heat exchanger fan	2
5	253386	P5032 -- 3 circuit, to work lamp	1
6	250077	TIE WRAP -- black	5
7	250342	CLAMP -- cable, clear	4

# ELECTRICAL

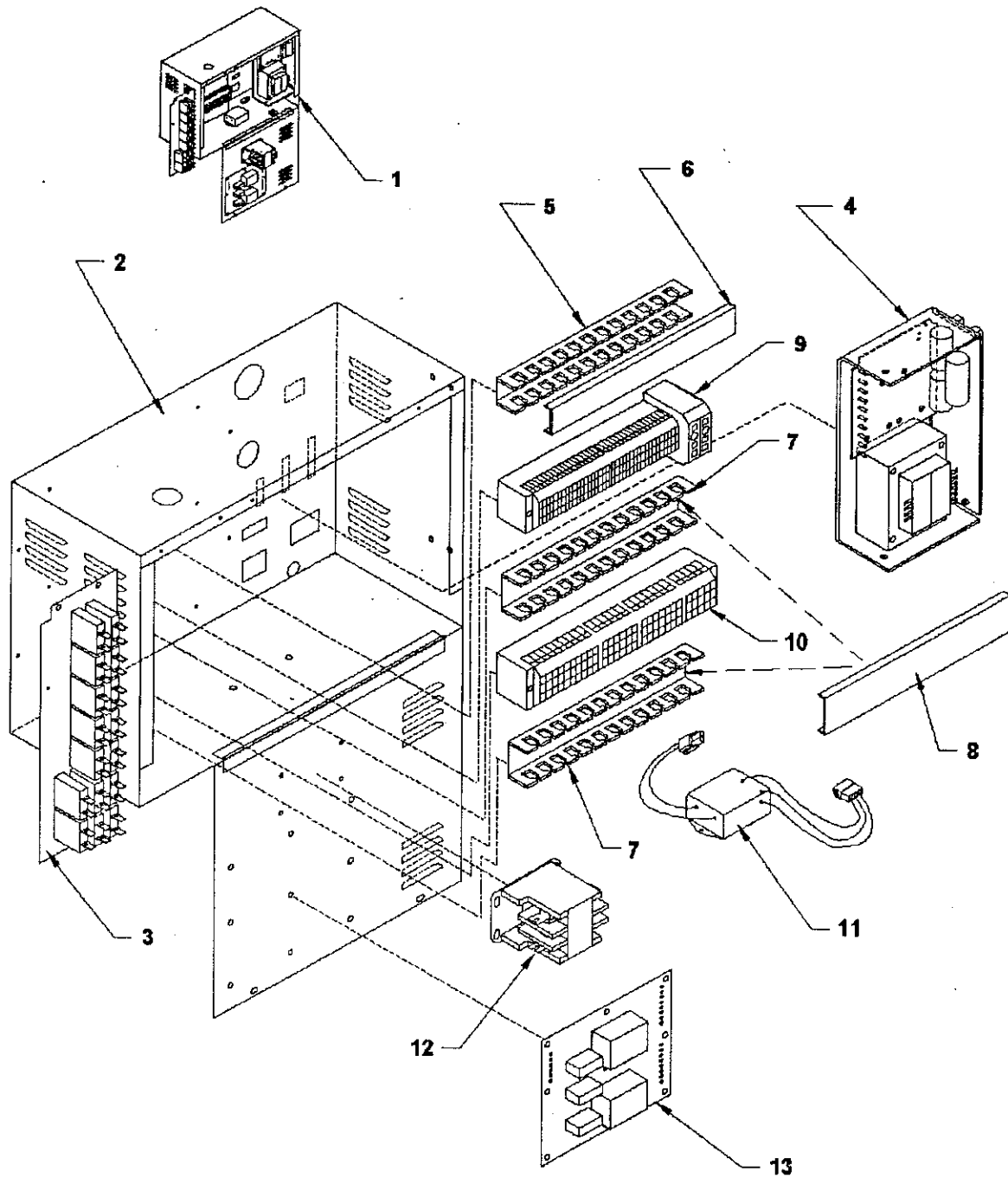
---



## INTER-TOWER HARNESS

<u>FIGURE</u>	<u>PART NUMBER</u>	<u>DESCRIPTION</u>	<u>UNITS PER ASSEMBLY</u>
1	173486	INTER-TOWER HARNESS	1
2	250931	J7103 -- 37 circuit, from control panel	1
3	254161	CLAMP -- cable	1
4	254260	J2801A -- 34 circuit modu, to tower one	1
5	254451	J3001 -- 20 circuit modu, to tower two	1
6	254260	J2801B -- 34 circuit modu, to tower two	1
7	250077	TIE WRAP-- black	2
8	254472	CLAMP -- cable, 5/8"	10

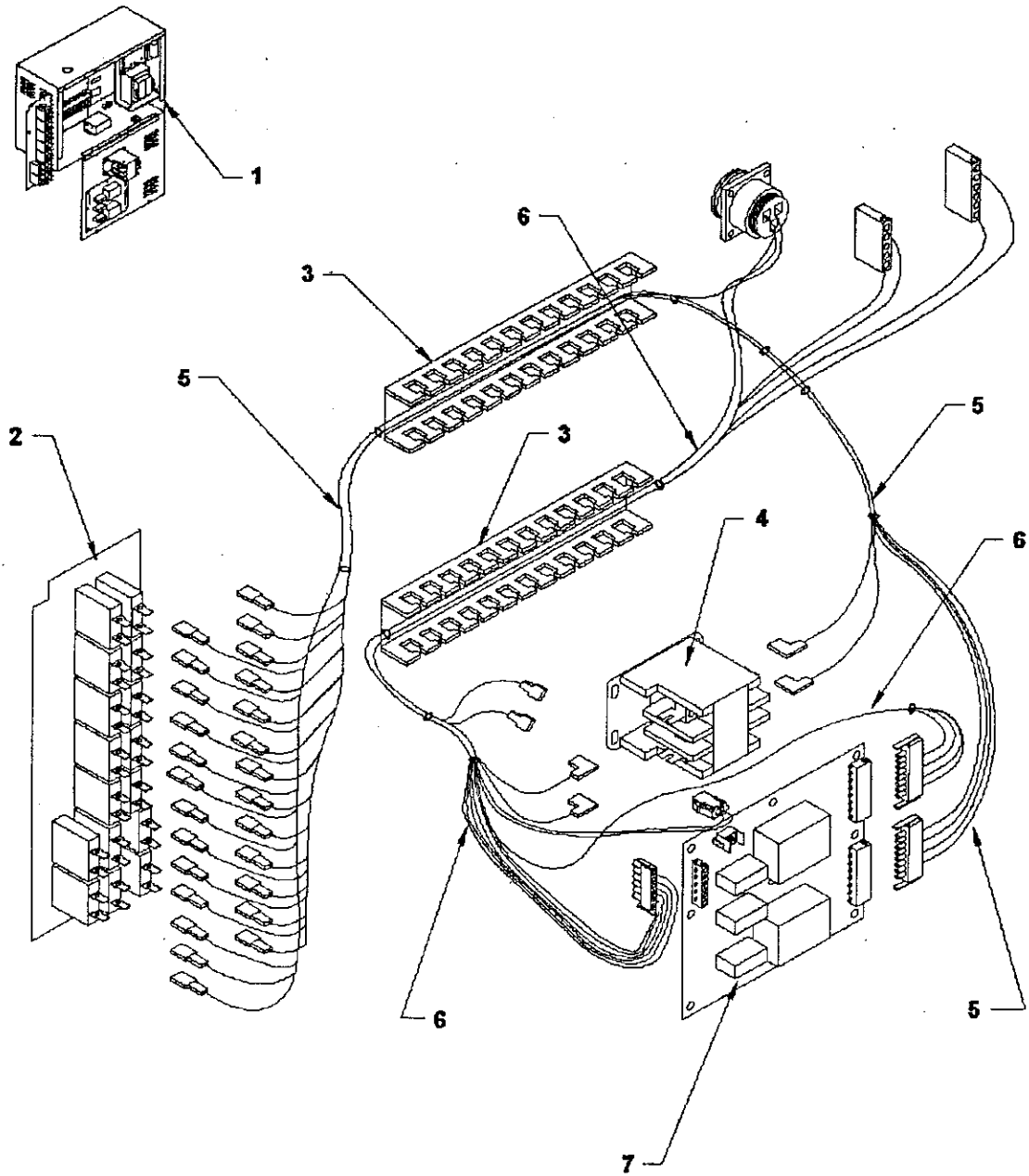
# ELECTRICAL



## POWER DISTRIBUTION BOX -- PART 1

<u>FIGURE</u>	<u>PART NUMBER</u>	<u>DESCRIPTION</u>	<u>UNITS PER ASSEMBLY</u>
1	173409	DISTRIBUTION BOX ASSEMBLY	1
2	173405	DISTRIBUTION CABINET ASSEMBLY	1
3	173277	PANEL -- circuit breaker screened panel	1
4	172991	POWER SUPPLY ASSEMBLY	1
5	178332	DUCT -- distribution box, upper	1
6	178338	COVER -- distribution box, upper	1
7	180567	DUCT -- distribution box, lower	2
8	180576	COVER -- distribution box, lower duct	2
9	172658	TERMINAL BLOCK ASSEMBLY	1
10	172659	TERMINAL BLOCK ASSEMBLY	1
11	401617	EMI FILTER ASSEMBLY	1
12	253537	CONTACTOR	1
13	172998	MOTOR RELAY PC BOARD ASSEMBLY	1

# ELECTRICAL

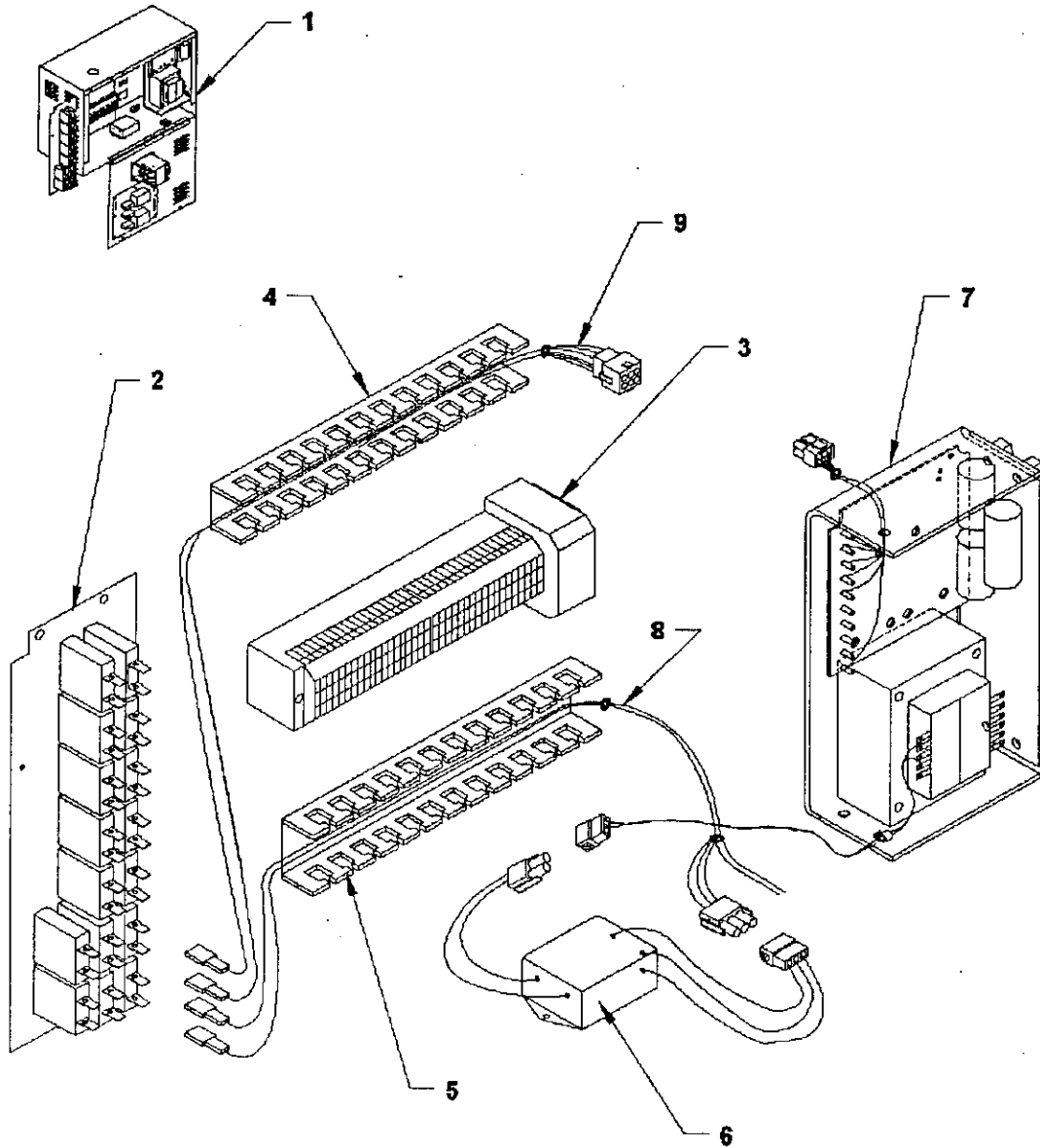


## POWER DISTRIBUTION BOX -- PART 2

<u>FIGURE</u>	<u>PART NUMBER</u>	<u>DESCRIPTION</u>	<u>UNITS PER ASSEMBLY</u>
1	173409	DISTRIBUTION BOX ASSEMBLY -- for reference only	1
2	173277	PANEL -- circuit breaker screened panel (for reference only)	1
3	180567	DUCT -- distribution box, lower (for reference only)	2
4	253537	CONTACTOR (for reference only)	1
5	173398	HARNESS -- AC circuit breaker	1
6	173399	HARNESS -- AC power distribution	1
7	172998	MOTOR-RELAY PC BOARD ASSEMBLY -- for reference only	1

# ELECTRICAL

---





## POWER DISTRIBUTION BOX -- PART 3

<u>FIGURE</u>	<u>PART NUMBER</u>	<u>DESCRIPTION</u>	<u>UNITS PER ASSEMBLY</u>
1	173409	DISTRIBUTION BOX ASSEMBLY -- for reference only	1
2	173277	PANEL -- circuit board screened, (for reference only)	1
3	172658	TERMINAL BLOCK ASSEMBLY -- for reference only	1
4	178332	DUCT -- distribution box, upper, (for reference only)	1
5	180567	DUCT -- distribution box, lower, (for reference only)	1
6	401617	EMI FILTER ASSEMBLY -- for reference only	1
7	172991	POWER SUPPLY ASSEMBLY -- for reference only	1
8	173398	HARNESS -- AC circuit breaker	1
9	173402	HARNESS -- DC circuit breaker	1

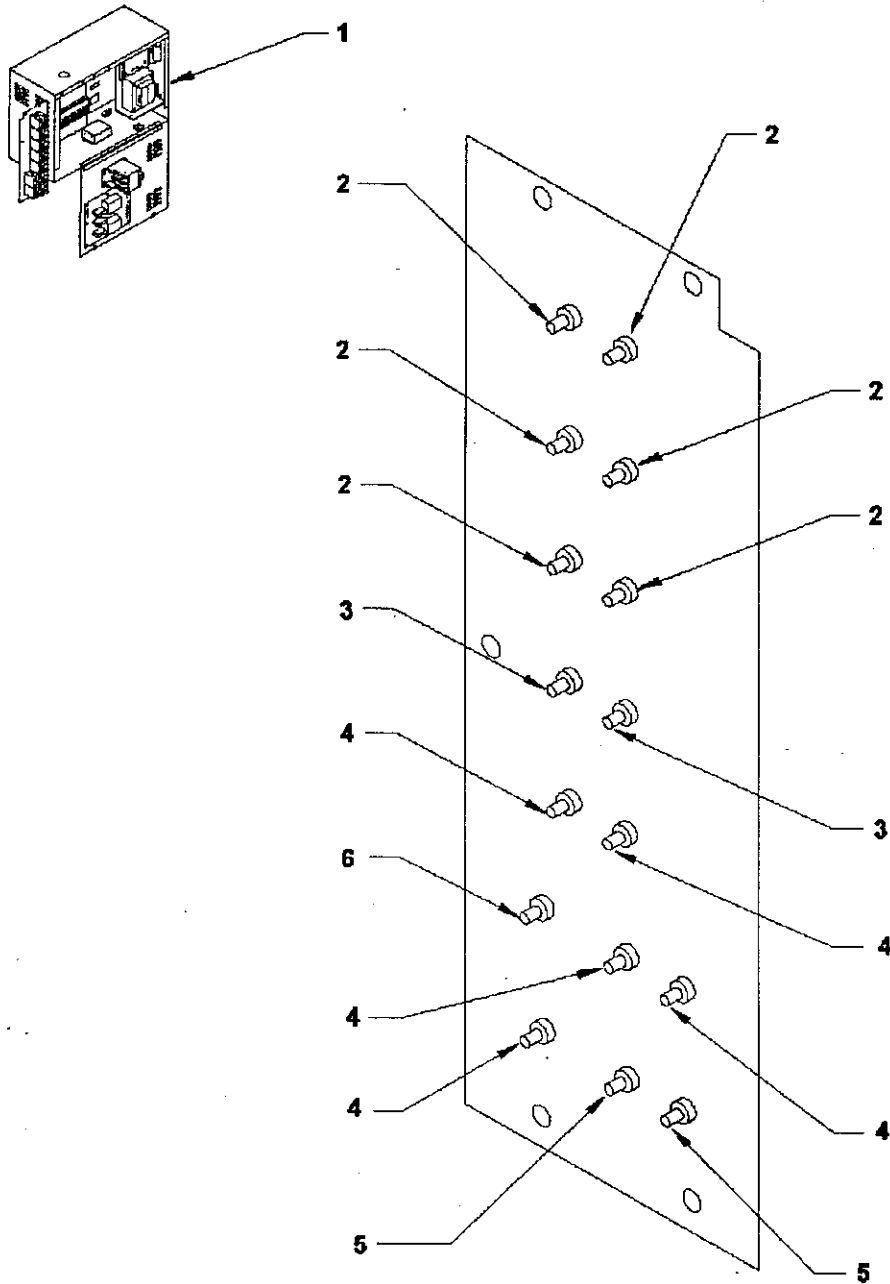


## POWER DISTRIBUTION BOX -- PART 4

<u>FIGURE</u>	<u>PART NUMBER</u>	<u>DESCRIPTION</u>	<u>UNITS PER ASSEMBLY</u>
1	173409	DISTRIBUTION BOX ASSEMBLY -- for reference only	1
2	173405	DISTRIBUTION CABINET ASSEMBLY	1
3	173402	HARNESS -- DC circuit breaker	1
4	173398	HARNESS -- AC circuit breaker	1
5	173399	HARNESS -- AC power distribution box	1
6	172554	HARNESS -- accessory power supply	1
7	178315	CORD-- AC interface	1
8	173406	CORD -- distribution box power input	1

# ELECTRICAL

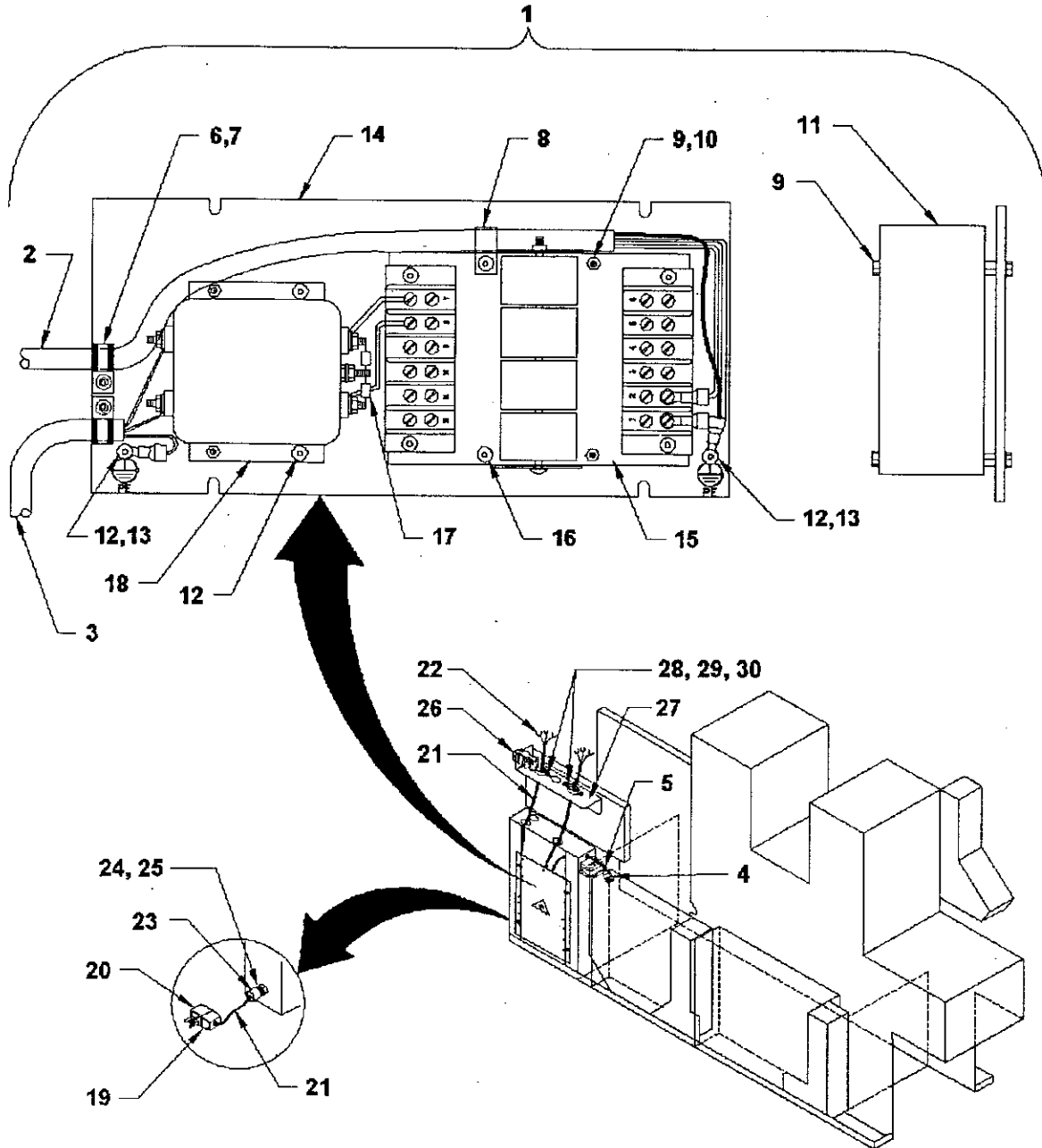
---



## POWER DISTRIBUTION BOX -- PART 5

<u>FIGURE</u>	<u>PART NUMBER</u>	<u>DESCRIPTION</u>	<u>UNITS PER ASSEMBLY</u>
1	173409	DISTRIBUTION BOX ASSEMBLY -- for reference only	1
2	254533	CIRCUIT BREAKER -- 15 amp	6
3	254543	CIRCUIT BREAKER -- 5 amp	2
4	253543	CIRCUIT BREAKER -- 4 amp	5
5	252537	CIRCUIT BREAKER -- 8 amp	2
6	254534	CIRCUIT BREAKER -- 12 amp	1

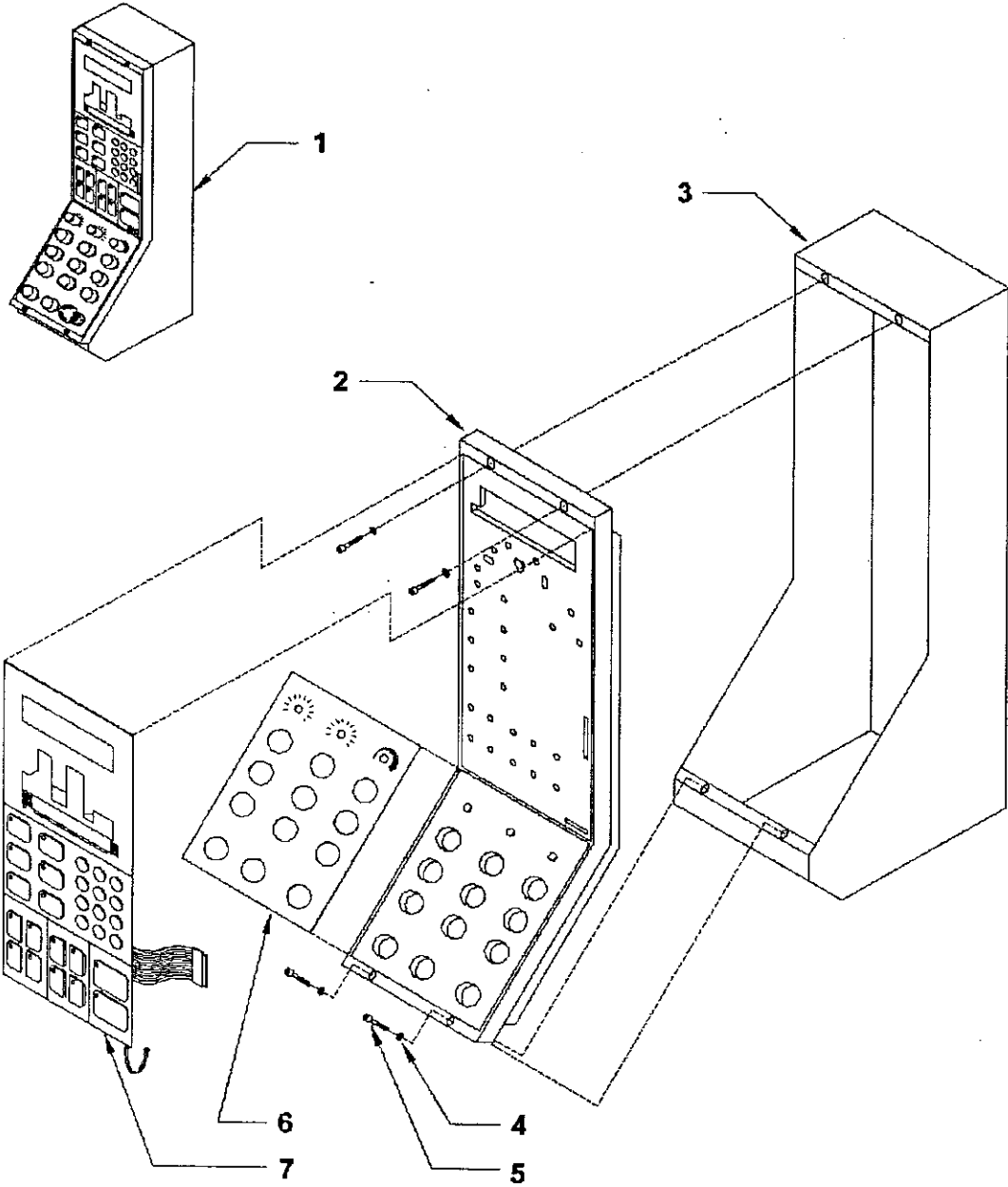
# ELECTRICAL



## VDE LINE FILTER ASSEMBLY

<u>FIGURE</u>	<u>PART NUMBER</u>	<u>DESCRIPTION</u>	<u>UNITS PER ASSEMBLY</u>
1	173814	VDE LINE FILTER ASSEMBLY	1
2	173297	POWER CORD -- filter to switch	1
3	173298	POWER CORD -- filter to distribution box	1
4	254197	J3610 -- 3 circuit, cpc connector	1
5	254325	CLAMP -- cable	1
6	001259	SCREW -- 10-16 x 1/2"	2
7	250357	CLAMP	2
8	250206	CLAMP	1
9	111034	SCREW -- 8-32 x 3/8"	8
10	254499	STAND OFF	4
11	254544	COVER -- insulator	1
12	001552	SCREW -- 8-32 x 3/8"	4
13	001706	WASHER -- .199 i.d., .400 o.d.	2
14	173813	PLATE -- filter mount	1
15	254444	FILTER MODULE	1
16	001220	SCREW -- 10-32 x 3/8"	2
17	172002	CAPACITOR ASSEMBLY	2
18	254319	FILTER -- emi/rfi	1
19	173800	CORD ASSEMBLY -- power supply	1
20	253947	CONNECTOR -- main power plug, 30A, 250V	1
21	254545	CABLE	1
22	254199	TERMINAL -- ring	1
23	254080	CLAMP -- cable	1
24	254170	NUT -- lock	1
25	254171	"O" RING	1
26	253915	SWITCH -- main power	1
27	178530	BRACKET	1
28	101091	CLAMP -- cable	2
29	101147	WASHER -- lock	2
30	111087	SCREW	2

# ELECTRICAL





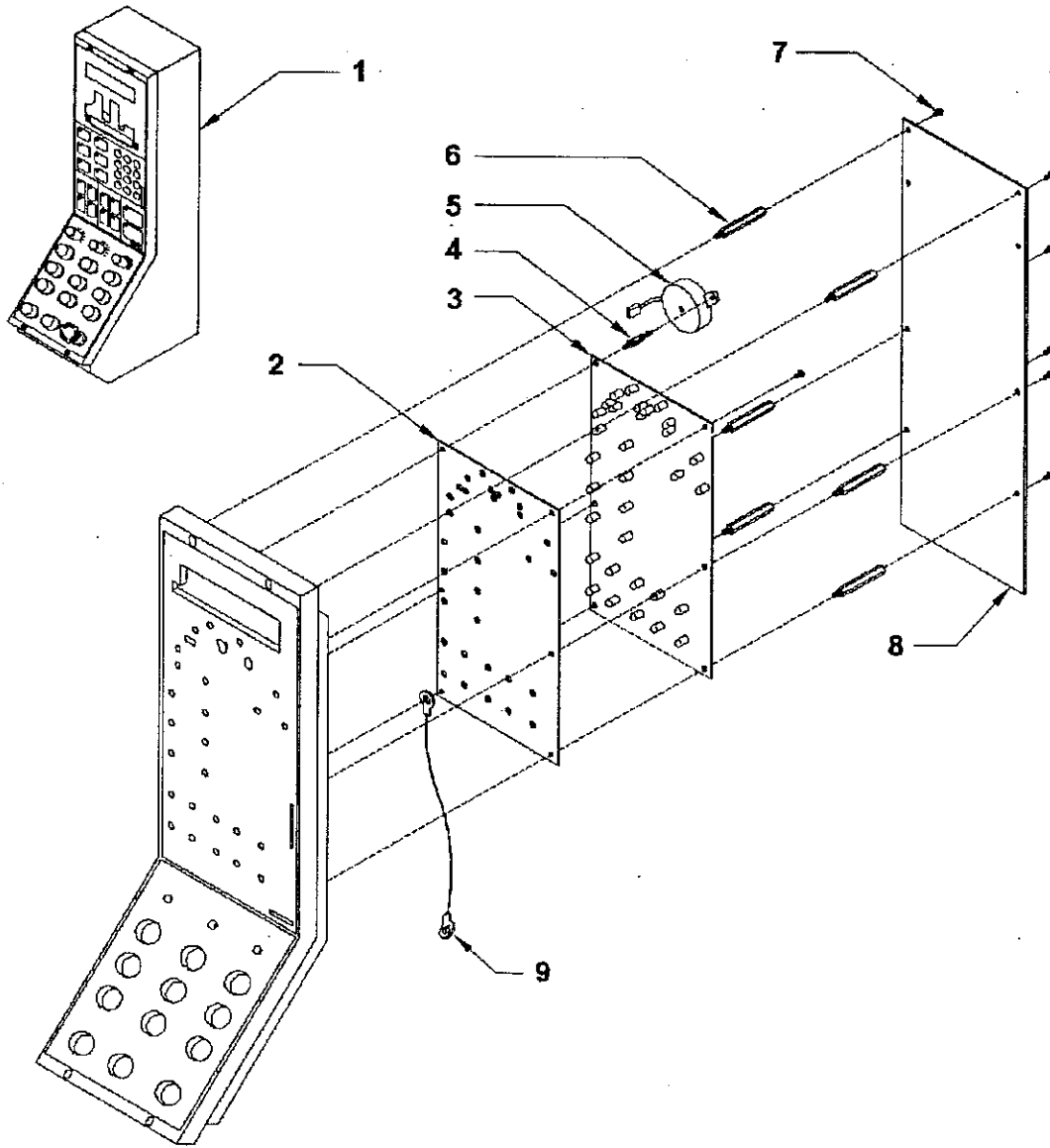
## CONTROL PANEL -- PART 1

<u>FIGURE</u>	<u>PART NUMBER</u>	<u>DESCRIPTION</u>	<u>UNITS PER ASSEMBLY</u>
1	173421	MAIN CONTROL PANEL ASSEMBLY	1
2	180169	BEZEL -- control panel	1
3	173420	ENCLOSURE -- operator control panel	1
4	197407	WASHER	4
5	101197	SCREW	4
6	254181	MECHANICAL SWITCH GRAPHIC OVERLAY	1
7	254 <del>181</del> 701	MEMBRANE SWITCH PANEL	1

(C3500)

# ELECTRICAL

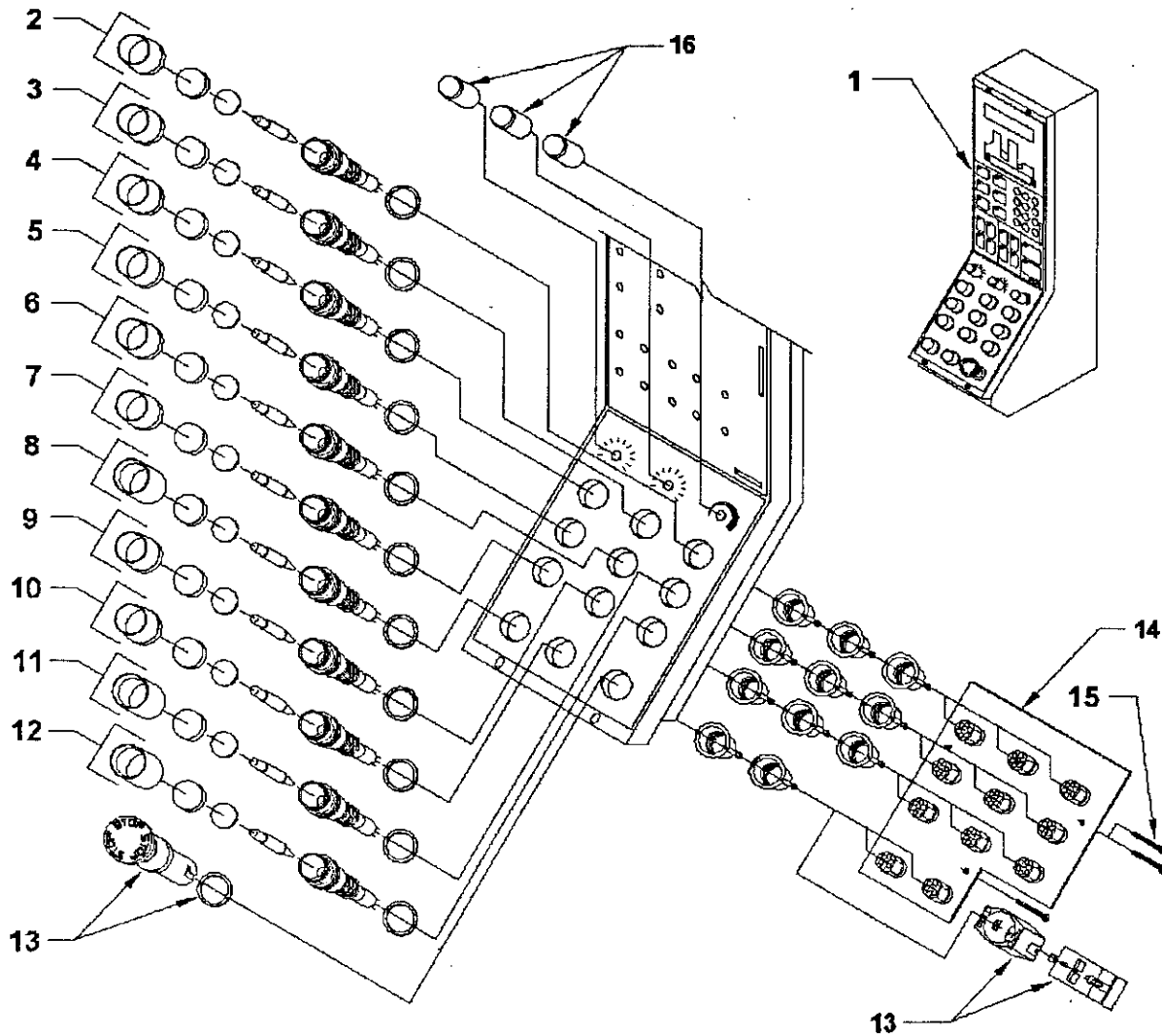
---



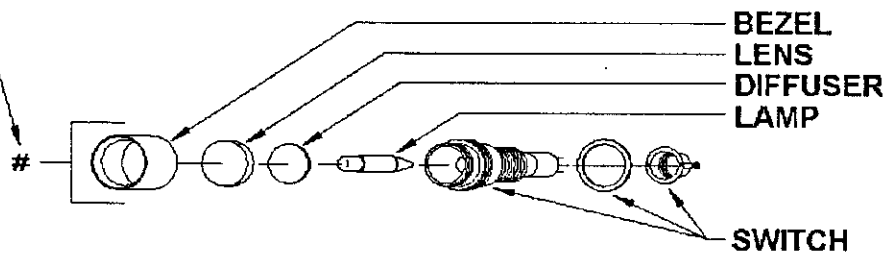
## CONTROL PANEL -- PART 2

<u>FIGURE</u>	<u>PART NUMBER</u>	<u>DESCRIPTION</u>	<u>UNITS PER ASSEMBLY</u>
1	173421	MAIN CONTROL PANEL	1
2	172570	SHIELD -- control panel rfi	1
3	179618	PC BOARD ASSEMBLY	1
4	253044	STAND OFF CIRCUIT	1
5	172875	SONALERT ASSEMBLY	1
6	254182	STAND OFF	6
7	001683	SCREW	7
8	173408	PC BOARD ASSEMBLY -- control panel	1
9	172569	STRAP -- grounding	1

# ELECTRICAL



**NOTE:**  
 NUMBER INDICATES  
 A GROUP OF PARTS  
 WHICH MAKE UP AN  
 ENTIRE SWITCH.



## CONTROL PANEL -- PART 3

1. The following parts are components of P/N 173421, the Main Control Panel Assembly:

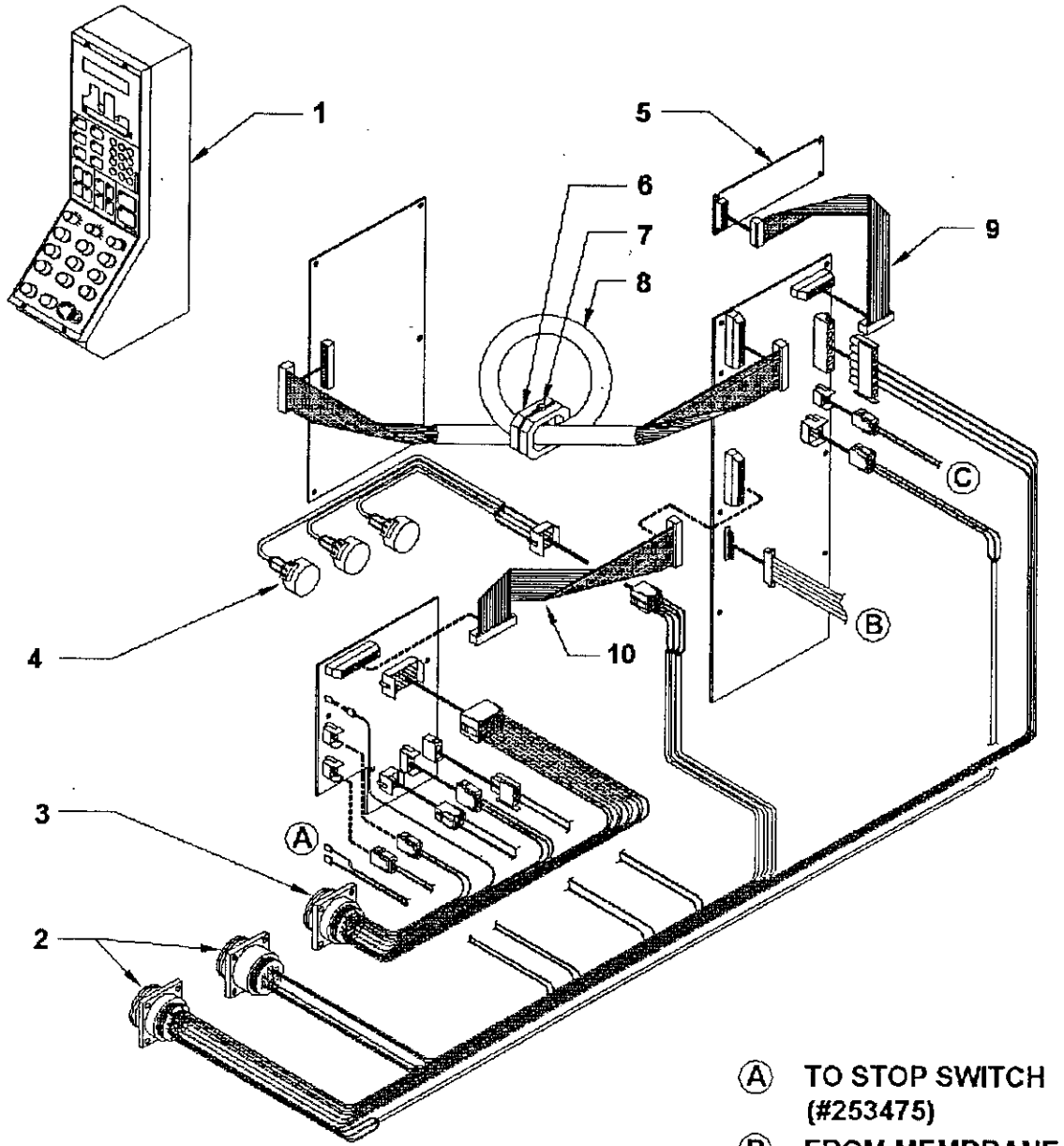
No.	Bezel	Lens	Diffuser	Lamp	Switch
2	253866, Std. Black	253861, Yellow	254191, "Feed"	253868, 12V	253864, Switch 2**
3	253866, Std. Black	253861, Yellow	254184, "Water"	253868, 12V	253864, Switch 2**
4	253866, Std. Black	253861, Yellow	254184, "Water"	253868, 12V	253864, Switch 2**
5	253866, Std. Black	253861, Yellow	254185, "Ink"	253868, 12V	253864, Switch 2**
6	253866, Std. Black	253861, Yellow	254185, "Ink"	253868, 12V	253864, Switch 2**
7	253866, Std. Black	253861, Yellow	254186, "Image"	253868, 12V	253864, Switch 2**
8	253865, Raised Black	253859, Green	254187, "Start"	253868, 12V	254205, Switch 1*
9	253866, Std. Black	253861, Yellow	254186, "Image"	253868, 12V	253864, Switch 2**
10	253866, Std. Black	253905, Red	254188, "Stop"	253868, 12V	253864, Switch 2**
11	253865, Raised Black	253860, Orange	254189, "Fwd. Inch"	253868, 12V	254205, Switch 1*
12	253865, Raised Black	253860, Orange	254190, "Rev. Inch"	253868, 12V	254205, Switch 1*

Number	Part Number	Description	Units per Assembly
13	253474	Switch	1
14	179620	Mechanical Switch PCB	1
15	101983	Sems Screw	3
16	253932	Knob	3

\* Two poles (one normally open, one normally closed), green band

\*\* Two poles (normally open), white band

# ELECTRICAL

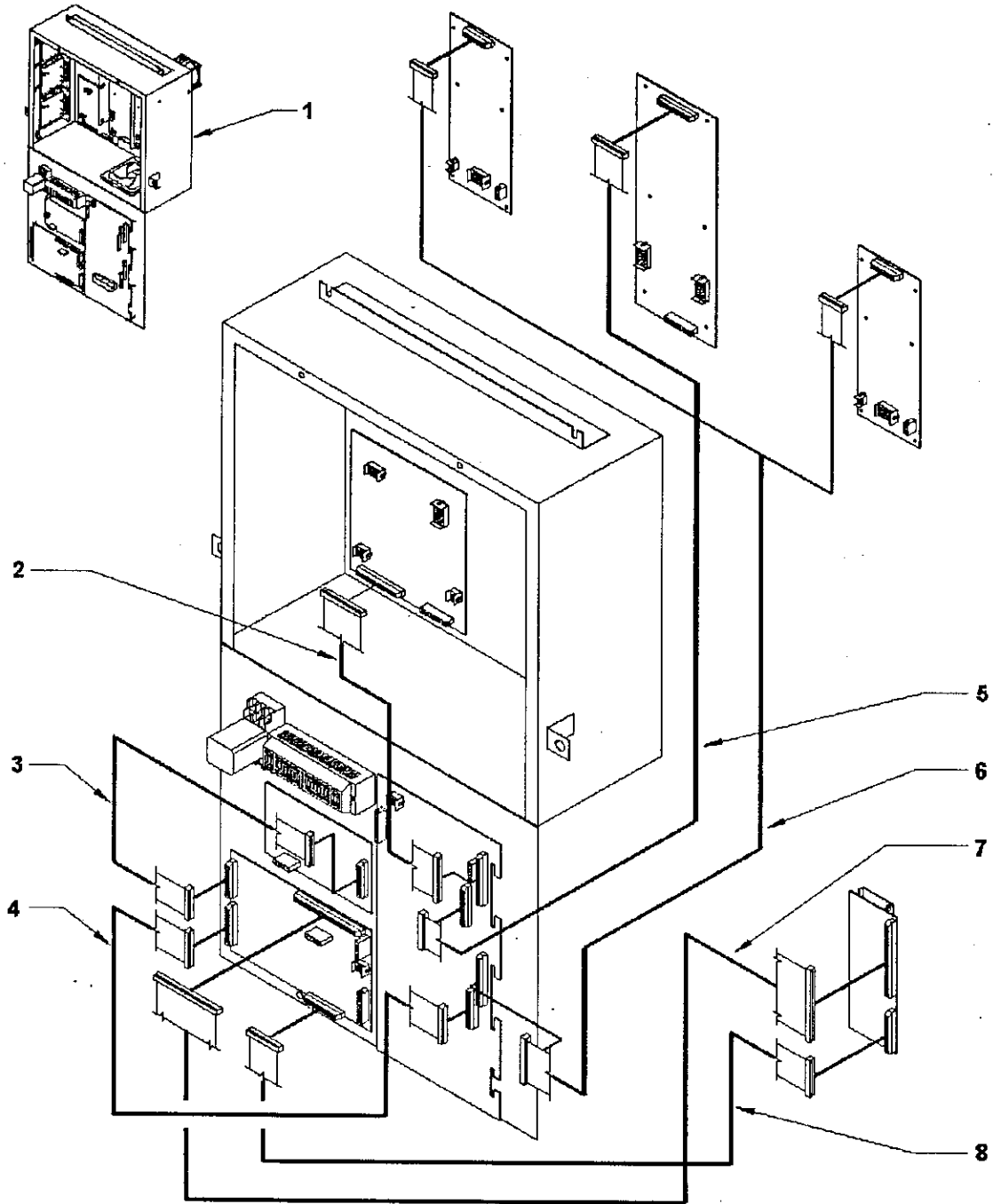


- (A) TO STOP SWITCH (#253475)
- (B) FROM MEMBRANE SWITCH (#254180)
- (C) FROM SONALERT ASM. (#172875)

## CONTROL PANEL -- PART 4

<u>FIGURE</u>	<u>PART NUMBER</u>	<u>DESCRIPTION</u>	<u>UNITS PER ASSEMBLY</u>
1	173421	MAIN CONTROL PANEL ASSEMBLY	1
2	173417	HARNESS -- comm/speed control	1
3	173481	CONTROL PANEL -- harness	1
4	173416	SPEED CONTROL ASSEMBLY	1
5	253890	DISPLAY -- 2 x 20mm	1
6	254321	FERRITE BEAD	2
7	250493	TIE WRAP	1
8	178317	CABLE ASSEMBLY -- cpu	1
9	178319	CABLE ASSEMBLY -- cpu to display	1
10	178318	CABLE ASSEMBLY -- cpu to switch	1

# ELECTRICAL

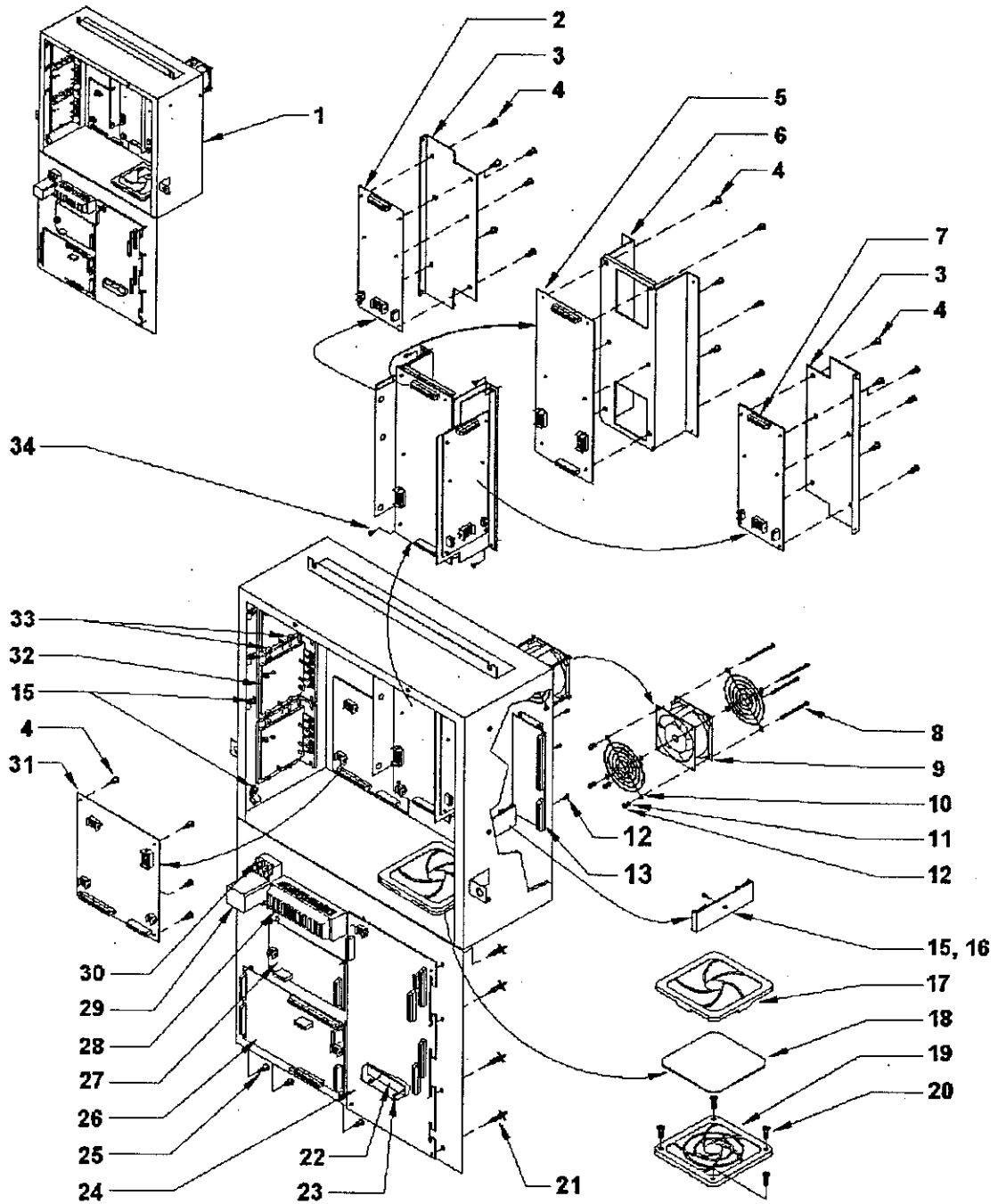




## ELECTRONICS BAY -- PART 1

<u>FIGURE</u>	<u>PART NUMBER</u>	<u>DESCRIPTION</u>	<u>UNITS PER ASSEMBLY</u>
1	173424	ELECTRONICS BAY ASSEMBLY	1
2	173417	CABLE ASSEMBLY -- cpu to safety board	1
3	178860	CABLE ASSEMBLY -- inter. doubles sensor	1
4	178324	CABLE ASSEMBLY -- inter. sensors cpu	1
5	178323	CABLE ASSEMBLY -- cpu, air solenoid pc board	1
6	178475	CABLE ASSEMBLY -- cpu solid state relay	1
7	172693	CABLE ASSEMBLY -- sensors	1
8	172692	CABLE ASSEMBLY -- guards	1

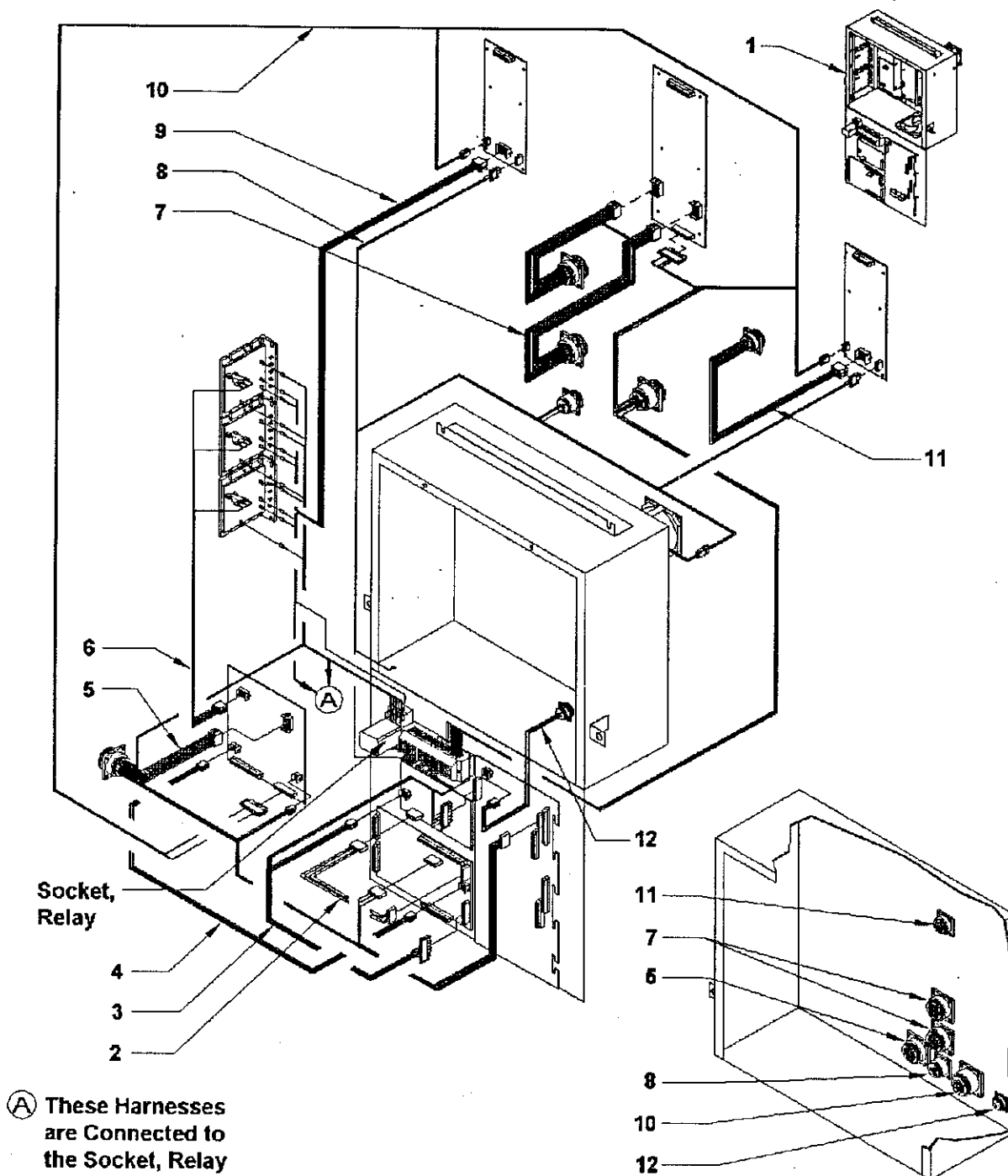
# ELECTRICAL



## ELECTRONICS BAY -- PART 2

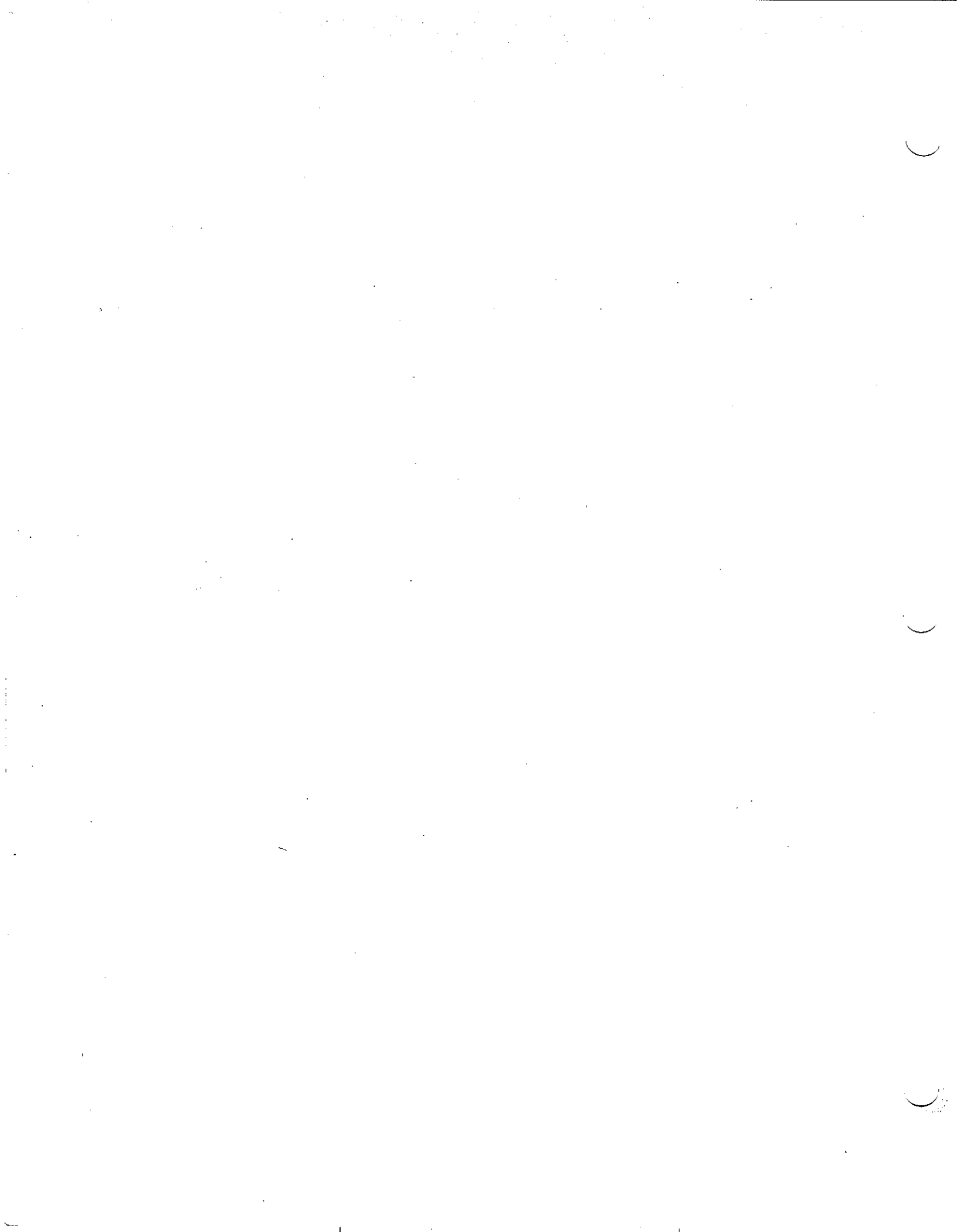
<u>FIGURE</u>	<u>PART NUMBER</u>	<u>DESCRIPTION</u>	<u>UNITS PER ASSEMBLY</u>
1	173424	ELECTRONICS BAY ASSEMBLY	1
2	173951	PC BOARD -- internal drive	1
3	179924	BRACKET -- circuit board	2
4	254183	STAND OFF -- 1/4 pc board	16
5	179614	PC BOARD	1
6	172871	BRACKET -- circuit board	1
7	173268	PC BOARD -- external drive	1
8	101516	SCREW	4
9	172889	FAN ASSEMBLY	1
10	253944	FINGER GUARD -- fan	2
11	001702	WASHER	4
12	150081	NUT -- lock	4
13	001541	SCREW -- Phillips	3
14	172504	PC BOARD ASSEMBLY	1
15	001661	SCREW	27
16	254462	CLAMP -- ribbon cable	5
17	172866	RETAINER -- filter	1
18	172865	MEDIA -- filter	1
19	172864	GUARD -- filter	1
20	100347	SCREW -- Phillips	4
21	254461	STAND OFF -- .750	6
22	172669	I/O PORT COVER ASSEMBLY	1
23	014291	SCREW -- Phillips	2
24	172881	PC BOARD ASSEMBLY -- main cp	1
25	254211	STAND OFF -- 1/2 pcb	8
26	179624	PC BOARD ASSEMBLY -- sensors	1
27	179626	PC BOARD ASSEMBLY -- doubles detector	1
28	253930	TERMINAL BLOCK ASSEMBLY	1
29	254202	RELAY -- 3pdt	1
30	254169	RELAY -- socket	1
31	173410	PC BOARD ASSEMBLY -- safety	1
32	083706	DC MOTOR CONTROL	1
33	001220	SCREW	11
34	100657	SCREW	4

# ELECTRICAL



## ELECTRONICS BAY -- PART 3

<u>FIGURE</u>	<u>PART NUMBER</u>	<u>DESCRIPTION</u>	<u>UNITS PER ASSEMBLY</u>
1	173424	ELECTRONICS BAY ASSEMBLY	1
2	178178	CABLE ASSEMBLY -- double/interface	1
3	173484	HARNESS -- electronics bay dc	1
4	173483	HARNESS -- safety sign interface	1
5	173412	HARNESS -- interface	1
6	173419	HARNESS -- safety board dc motor	1
7	178478	HARNESS -- air driver output	1
8	173482	HARNESS -- electronics bay ac	1
9	173487	HARNESS -- internal ssr board output	1
10	173485	HARNESS -- electronics bay dc	1
11	178482	HARNESS -- ssr output pxt	1
12	178476	HARNESS SYSTEM -- RS232	1



***Index***

---





# INDEX

000014	7-23
000023	3-9, 3-11
000024	6-39
000666	4-5, 4-7, 6-3, 6-15, 6-33, 6-49, 6-55, 6-57
001046	3-23, 3-25, 7-25
001047	3-5, 7-31, 8-15
001048	3-33, 6-39
001049	3-31, 3-33, 6-29, 7-21, 7-27, 7-31
001052	3-21, 4-3
001060	3-3, 3-31, 3-45, 5-21, 5-29, 5-31, 5-37, 6-3, 6-5, 6-11, 6-21, 6-41, 6-43, 7-3, 7-9, 7-11, 7-23
001064	6-69
001065	7-33, 8-17
001073	6-19, 6-37, 6-65
001076	7-13, 7-19
001080	3-21, 3-45, 5-1, 6-3, 6-41, 7-17
001093	3-25, 6-65
001094	6-15, 6-27, 6-31, 6-35, 6-69, 7-17, 7-19
001095	3-25, 3-27, 6-29, 7-11, 7-23, 7-31
001097	1-9, 1-11, 1-13
001106	4-1, 4-11, 4-13
001220	1-9, 3-3, 3-29, 4-3, 4-9, 4-11, 6-41, 7-9, 9-61, 9-73
001259	9-61
001260	7-9, 7-13
001269	5-5
001284	6-61
001290	6-61
001432	7-31
001453	3-29
001461	3-27, 3-43, 3-51
001541	5-31, 5-37, 9-73
001552	2-1, 7-23, 9-61
001555	1-11, 1-13, 3-53
001568	1-11, 5-1
001573	3-5, 3-27, 6-31, 6-35, 6-37, 6-51
001575	1-1, 1-3, 1-5
001587	6-41
001588	8-1
001589	6-29
001590	5-7, 5-27
001640	7-27
001641	5-11
001649	1-1, 1-3, 1-5, 1-9, 1-11, 1-13, 4-5, 4-7, 7-23, 7-27
001650	1-11, 7-25
001661	9-73
001681	1-9

# INDEX

---

001683	6-23, 6-53, 9-65
001688	7-33
001690	6-23
001693	6-15, 6-41, 6-61, 9-3
001694	5-15
001702	4-5, 4-7, 9-73
001706	8-11, 8-13, 9-61
001710	6-3, 6-23, 6-69, 8-9, 8-11
001721	6-23
001722	6-5
001726	3-13, 3-15, 3-53, 6-33
001731	1-11, 3-19, 3-29, 4-1, 4-3, 4-11, 5-5, 5-33, 5-35, 5-37, 6-7, 6-19, 6-23, 6-29, 6-31, 6-33, 6-35, 6-37, 6-63, 6-69, 7-27, 7-33, 8-3, 8-7, 8-11, 9-1
001744	6-61
001750	6-19, 6-29
001755	7-31
001763	3-5, 3-39, 3-43, 5-9, 5-13, 5-17, 5-19, 5-27, 6-19, 6-29, 6-35, 7-3, 8-17
001766	6-27
001771	5-9, 5-23, 6-35, 7-3, 7-17
001772	3-5
001776	3-25
001778	1-13, 6-3
001781	5-1, 5-5, 5-19
001784	7-19
001786	3-5, 3-25, 7-33
001787	3-33
001792	4-7
001804	6-25
001805	7-15
001812	4-3, 4-5, 4-7, 6-65, 7-27
001817	3-19, 3-23, 3-31, 3-33, 3-35, 3-41
001818	6-27, 7-23
001832	6-31
001833	6-59, 8-11
001834	5-21, 5-31, 5-37, 6-3, 6-13, 6-17
001840	6-23, 7-9, 7-13
001842	6-29, 6-63
001845	3-31, 3-43, 5-13, 6-7, 7-3
001847	5-23
001854	5-19
001920	7-31
001936	3-27, 3-39, 3-43, 6-65
001956	7-13
001968	3-39

# INDEX

001978	3-29, 5-15
001980	5-9
001981	7-31
001983	7-23
001986	3-39
001991	3-25
001992	6-23
003164	6-13
003560	6-23
003578	6-63
003586	6-43
003855	6-1, 6-25, 6-35
005071	1-3, 1-7, 5-5, 5-9, 6-69
005620	7-33, 8-3, 8-7, 8-11, 9-1
006675	7-9
006801	3-3
006825	3-17, 3-19, 6-35
007533	6-67
007689	6-59
010076	7-27
010342	1-9, 1-13
014106	5-7
014108	1-9, 1-11, 1-13, 2-1, 3-25, 3-27
014111	7-33
014115	3-5
014123	5-3, 5-5
014151	6-9
014157	1-11, 3-53, 5-27, 6-29, 6-31
014158	3-5, 3-15, 3-27, 5-23, 6-3, 6-33
014162	3-5, 3-13, 3-15, 3-27, 3-29, 3-53, 6-41, 6-43, 6-63
014164	1-11, 3-33, 6-11, 7-25
014165	3-5, 3-9, 3-11, 3-29, 3-31, 3-33, 3-35, 3-37, 3-41, 4-1, 4-3, 4-11, 5-37, 6-59
014170	6-57
014175	1-11, 6-49
014180	8-1
014183	1-5
014187	6-29, 7-27
014190	7-25
014192	6-13
014195	5-9, 6-41
014207	3-9, 3-11
014209	1-3
014215	3-3, 4-3, 5-15, 6-15
014219	6-17
014247	6-5, 7-19

# INDEX

---

014248	6-65
014249	8-1
014250	8-1
014273	5-7
014274	3-47
014291	9-73
014295	1-1
014304	3-49, 8-7, 8-9
014313	3-27, 3-33
014326	6-25
014327	5-7, 5-27, 6-15, 6-33
014372	5-21, 5-23, 6-23
014384	6-37
014386	3-49, 5-7, 5-9
014390	3-23, 6-59
014459	6-43
014461	7-31
014464	6-45
014504	6-21, 6-23, 7-23, 7-25
014510	6-3, 6-19, 7-21
014511	6-63
014514	3-3, 7-7, 7-11
014515	3-21, 6-21, 6-29, 6-41
014576	5-23
014600	3-45
014618	3-53
014688	6-63
014703	5-1, 6-27
014712	7-17, 7-33
014713	6-45, 6-47
014727	6-17
014741	6-11
014761	3-39, 7-19
014784	8-11
014788	6-63
014807	3-29, 4-1, 4-11, 6-27, 8-11
014808	1-5, 5-1, 5-11, 6-3, 8-13
014812	1-9, 5-33, 5-35, 8-3
014921	5-13
014941	3-9, 3-11, 3-27, 3-43
015118	6-57
015369	5-3, 5-19
016060	6-65
016289	6-41
016327	6-65
016376	7-13

# INDEX

016397	7-19
016398	7-13, 7-19
016405	7-3
016409	7-23
016410	7-23
016412	7-21
016415	7-31
016441	7-13
016452	7-17
016456	7-11
016458	7-11
016466	7-17
016470	7-11
016471	7-11
016472	7-13
016477	7-23, 7-31
016480	7-11
016481	7-31
016494	7-23
016545	7-7
016572	6-57, 8-15
016574	2-1, 7-21
016783	3-3
016921	2-1, 7-23
016933	2-1, 7-21
017462	5-23
017582	2-1, 7-21
017583	7-21
017595	2-1, 6-69
017622	7-7, 7-9, 7-11, 7-13
017747	3-29
017858	9-13
017910	5-27
018062	5-7
021013	1-3, 1-7
021150	6-21
021159	3-53
021203	3-29, 6-23, 6-29, 7-9
021369	7-31
021861	3-3, 6-25, 6-33, 6-55, 6-57
022499	3-29
022524	3-29
022621	7-9, 7-27
022650	3-29
023044	7-9
025007	5-29

# INDEX

---

025205	7-21
032868	6-33
032HN-SPN	7-45, 7-47, 7-53
032MS12	7-41
032MS38	7-45
039642	2-1
041610	6-11
0420HB58	7-49
042150	3-3, 6-13
043106	3-13, 3-25
052187	3-29
054350	7-21
056530	2-1, 3-39
065361	6-43, 6-45, 6-51, 6-53
071181	5-25
072024	6-65
072036	6-63
072037	6-65
072041	6-65
072064	6-67
072258	1-13
072292	6-57, 6-59
072304	6-3, 6-51
072411	5-25
072599	6-65
072741	8-5
073078	5-25
073310	3-11, 3-23
073316	3-7
073325	3-25, 6-41
073385	6-59
073394	6-59
073467	6-59
073482	3-9, 3-11, 3-45
074230	3-41
074399	1-13, 7-7
075443	7-21
075713	6-11
076124	3-31
078520	3-5, 3-25
078745	5-25
079764	6-23, 6-25
080298	3-45
080299	3-45
080312	6-49, 6-55, 6-57
080411	3-41

080412	3-41
080564	7-25
080634	3-25
080956	3-23
081107	7-9, 7-13
081527	7-9, 7-13
081528	7-9, 7-13
081553	7-17, 7-31
081567	7-31
081575	7-31
081597	7-21
081604	7-11, 7-31
081609	3-47, 7-31
081623	7-19
081720	7-23
081764	7-25
081789	6-5, 7-21
081833	7-31
081836	7-19
081879	8-15
083706	9-73
083745	7-7, 7-11
084283	6-61
084473	6-67
087756	7-9
091203	3-49
094428	6-63
094449	6-63
100115	6-25, 7-29
100119	6-67
100130	6-5
100137	5-7, 5-27, 6-21, 7-9
100138	6-21
100185	5-5
100201	3-35
100204	5-31, 7-29
100210	5-15
100222	9-7, 9-9
100228	6-7
100246	5-3
100297	9-7, 9-9
100334	3-21, 6-3, 6-17, 6-43
100339	3-29, 3-49, 4-3, 5-15, 5-33, 5-35, 6-37, 6-49, 6-55
100345	6-65
100347	9-73
100367	5-9, 6-11

# INDEX

---

100392	6-9
100400	3-27
100459	6-11, 6-59
100490	5-7, 5-27
100529	6-21
100554	6-43
100576	3-41
100586	8-11, 8-17
100609	7-33
100622	6-63
100625	6-59
100649	6-43
100653	3-27, 3-29, 3-33, 3-45, 3-49, 3-51, 5-23, 6-13, 6-19, 6-21, 6-23, 6-35, 6-57, 6-63, 6-69
100654	5-15
100657	9-73
100710	5-13, 5-21, 6-43
100716	1-11, 5-1, 7-19
100740	6-43
100806	6-9, 7-33
100820	3-21, 3-29
100860	3-39, 3-47, 3-49, 5-19, 6-19
100863	4-3
100880	5-9
100890	6-59
100925	3-9
100969	7-17
100998	6-23
101001	6-51
101023	7-17
101031	6-53
101051	3-45, 7-29
101063	7-21
101086	3-29, 6-3, 6-5, 6-63
101091	9-61
101144	1-1, 1-5
101147	9-61
101170	5-21
101193	1-13, 7-5, 9-3
101197	8-1, 9-63
101281	7-23
101299	5-11
101398	7-15
101440	8-9
101516	9-73
101537	7-27, 8-9



101548 . . . . .	1-5, 1-11, 1-13, 3-53
101612 . . . . .	6-61
101626 . . . . .	4-1, 4-3, 4-11, 5-9, 6-17, 6-25, 6-31, 6-33, 6-37, 6-63, 9-1
101676 . . . . .	6-39
101754 . . . . .	3-13, 5-13
101774 . . . . .	8-17
101869 . . . . .	8-17
101876 . . . . .	6-33
101906 . . . . .	6-5
101916 . . . . .	7-21
101938 . . . . .	7-7, 7-11
101943 . . . . .	7-3
101979 . . . . .	1-9
101983 . . . . .	9-67
101999 . . . . .	6-15, 6-25, 6-33, 6-41, 6-49, 6-55, 6-57
102001 . . . . .	3-7, 3-35
102008 . . . . .	3-7, 3-9, 3-19, 3-37
102018 . . . . .	3-49
102019 . . . . .	3-49
102023 . . . . .	3-49
102025 . . . . .	3-39
102026 . . . . .	3-5, 3-39
102027 . . . . .	3-41
102029 . . . . .	3-41
102040 . . . . .	1-11, 5-5
102042 . . . . .	3-15, 3-17, 3-19, 3-23, 3-51
102043 . . . . .	3-35
102047 . . . . .	3-5, 3-49, 5-7, 5-17, 5-27
102049 . . . . .	6-17
102064 . . . . .	5-21
102071 . . . . .	6-9
102082 . . . . .	3-35
102083 . . . . .	3-35
102084 . . . . .	3-35
102085 . . . . .	3-35
102092 . . . . .	5-31, 5-37
102096 . . . . .	3-5
102102 . . . . .	4-3
102104 . . . . .	5-9, 6-7
102106 . . . . .	3-5, 5-17
102108 . . . . .	3-27, 3-43
102113 . . . . .	3-23
102116 . . . . .	5-37
102117 . . . . .	5-21
102119 . . . . .	5-13, 5-21
102120 . . . . .	5-21

# INDEX

---

102121	5-7, 5-27
102122	3-29, 6-17, 6-29, 6-31
102125	5-15
102127	5-15
102128	6-3
102129	6-49, 6-55
102130	6-19
102132	3-37
102135	3-23
102136	5-5, 5-19
102140	3-31
102141	5-3
102142	5-3
102143	5-3, 5-19
102144	5-19
102157	1-1, 1-5, 1-7, 1-13, 7-27
102163	6-19, 6-27
102165	1-1, 1-3, 1-5
102173	3-53, 6-9
102184	6-33
102186	5-17, 6-39
102210	8-3
102211	6-15
102213	5-17, 6-17
102215	6-13
102216	5-5, 5-19
102219	7-3
102220	6-19
102222	8-11
102224	5-15
102225	5-15
102228	3-13, 3-15
102229	3-13
102235	6-7
102236	3-47, 3-49
102237	6-9
102238	5-5, 7-33, 8-17
102239	5-3, 5-19
102243	3-47, 6-1
102245	3-47
102246	3-43, 3-47
102247	3-47
102248	6-1
102249	7-33
102250	5-5, 7-33
102251	5-13, 5-21

# INDEX

102254	5-5, 7-33, 8-17
102255	8-15
102258	8-11
102259	5-5
102260	8-15
102261	7-19
102263	3-47
102265	5-19
102267	6-35
102268	6-31
102283	3-5
102290	3-55
102291	3-55
102292	3-31, 3-33
102294	3-31
102301	1-9, 1-11, 1-13
10FW	7-45
10LWT	7-41, 7-45
110002	6-21, 7-9
110037	5-33, 5-35
110057	8-7
110113	6-41, 8-1
111015	6-7
111034	9-61
111051	1-11
111052	5-11, 7-11, 7-29
111054	6-13, 6-65, 7-27
111055	7-5, 7-7, 7-9, 7-11, 7-13, 7-15, 7-21, 7-31
111056	4-1, 4-11
111057	1-7, 1-11, 5-1, 7-21, 7-27
111058	5-25, 7-11
111059	4-3
111060	7-7, 7-11
111068	8-15
111069	7-7, 7-9, 7-11, 7-13
111070	8-3, 8-7, 8-9, 8-15, 9-1
111071	6-7
111073	1-11, 1-13, 3-43, 7-3, 8-1, 8-3, 8-11
111074	6-3, 6-35
111075	5-5, 8-17
111076	7-33
111087	9-61
111089	6-67, 7-21, 8-11
111091	6-13
111092	6-9, 6-69
111099	6-37, 6-69, 7-27

# INDEX

---

112515	6-7, 6-25
112565	6-15
112652	6-65
112C	7-59
122661	8-11
133233	5-7
14ECT38	7-37, 7-49
14GA32-220	7-57
14LW	7-49
14T38	7-37, 7-49, 7-53
14T38-FL	7-41
150050	3-5, 3-33, 6-21, 7-23
150081	1-13, 7-5, 8-7, 9-73
150083	1-7, 1-13, 4-1, 4-11, 6-33, 6-45, 6-47, 6-57, 7-7, 7-9, 7-11, 7-13, 7-15, 7-21, 7-27
150084	6-11, 6-41, 7-3
150085	6-19, 6-27, 6-57, 7-31, 8-3
150086	6-19
150087	6-67, 6-69
150088	6-43
150089	1-9, 7-27
154465	4-11
167838GA	7-35
172002	9-61
172025	6-13
172028	6-13
172029	6-13
172031	6-15
172032	6-15
172036	6-13
172050	6-13
172051	6-13
172052	6-13
172060	7-25
172061	7-25
172093	6-15
172094	6-13
172098	5-9
172099	8-3
172102	1-13
172111	6-47
172114	6-45
172117	6-45
172119	6-25
172120	6-45
172123	6-23

---

172131	6-49, 6-55
172132	6-49, 6-55
172133	6-49
172135	6-25
172139	6-49
172145	6-31, 6-49
172146	6-25
172147	6-25
172148	6-29
172149	6-31, 6-49
172152	6-15
172153	6-15
172157	6-15
172158	6-15
172161	6-15
172162	6-15
172163	6-15
172165	6-15
172172	6-15
172174	6-31
172202	6-23
172203	6-23
172204	6-23
172207	6-23
172208	6-23
172209	6-23
172210	6-19
172213	3-45
172215	6-45
172216	6-45
172219	6-25
172220	6-23
172223	3-55
172229	6-19
172230	6-53
172236	6-51
172237	6-51
172239	6-57
172240	6-43
172241	6-57
172242	6-57
172243	6-57
172244	6-57
172245	6-57
172246	6-23
172251	6-15

---

# INDEX

---

172252	6-15
172253	6-15
172255	6-15
172256	6-15
172262	6-69
172263	6-69
172266	6-45, 6-47
172267	6-19
172268	6-19
172269	6-45
172273	6-3
172274	6-3
172283	7-17
172284	7-17
172287	7-3
172288	7-21
172292	7-15
172293	7-7, 7-11
172298	7-3
172302	7-25
172303	7-3
172304	7-3
172305	7-9, 7-13
172306	7-7, 7-11
172309	7-9, 7-13
172310	7-7, 7-15
172325	7-23
172326	6-15
172327	6-15
172329	6-61
172333	6-3
172335	5-7, 5-27
172336	6-13
172337	6-3
172344	6-13
172345	6-13
172346	6-11
172347	6-11
172349	5-9
172354	6-19
172355	6-7, 6-19
172356	6-69
172357	6-19
172358	6-19
172359	6-11
172366	6-11

# INDEX

172367	6-25
172372	5-7, 5-27, 6-1
172375	5-15
172376	5-15
172380	6-15
172382	6-11
172389	3-5
172399	3-55
172402	3-49
172404	3-49, 5-7
172406	1-13
172413	5-9
172423	6-13
172424	6-13
172426	5-23
172437	3-55
172438	3-55
172447	3-1, 3-11
172452	3-13
172453	3-13
172454	5-15
172455	9-21
172457	3-15
172459	3-15
172460	3-17, 3-19
172461	3-15
172475	8-3
172477	8-3
172478	8-7
172479	8-7
172480	8-7
172481	8-11
172482	8-11
172483	8-11
172484	8-11
172485	8-11
172491	3-13
172496	6-55
172498	8-13
172499	8-13, 9-27
172504	9-73
172509	5-29
172510	8-11
172513	6-23
172516	5-9
172517	5-9

# INDEX

---

172522	3-47
172525	6-15
172526	6-55
172537	6-11
172539	6-23
172542	9-43, 9-45
172543	9-41
172544	9-43, 9-45
172547	9-43, 9-45
172548	9-41
172549	5-37
172553	9-47
172554	9-57
172555	8-11, 9-13
172556	9-1, 9-3
172557	9-1
172559	9-3
172560	9-13
172561	9-25
172563	9-27
172564	9-3
172569	9-65
172570	9-65
172582	5-5
172583	5-5
172588	8-17
172589	5-5
172594	5-3
172595	5-3
172598	5-19
172600	5-3, 5-19
172601	5-3
172609	5-5
172613	5-15
172615	5-7
172616	5-5
172617	6-53
172619	6-57
172620	6-69
172621	6-69
172623	3-17
172630	2-1
172632	7-15
172634	7-27
172637	7-5
172638	7-9, 7-13



# INDEX

172639	7-9, 7-13
172640	7-5
172641	7-5
172646	7-19
172647	7-19, 7-23
172649	7-3, 7-9
172658	9-51, 9-55
172659	9-51
172666	8-11, 8-13
172669	9-73
172681	8-17
172692	9-71
172693	9-71
172695	9-43, 9-45
172696	9-41
172697	9-39
172698	9-37
172700	6-11
172702	8-11
172704	4-5
172705	4-5
172706	4-5
172707	5-37
172709	5-33, 5-35
172710	3-31, 3-45, 5-29
172711	5-31, 5-37
172713	4-5, 8-5
172714	8-7, 8-11
172715	8-7
172717	7-29
172720	6-51
172721	3-49
172723	6-9
172731	3-55
172732	3-55
172736	6-23
172737	6-23
172740	7-33
172742	7-25
172744	7-25
172745	7-25
172752	7-33
172753	7-33
172754	7-17
172755	7-33
172756	7-33

# INDEX

---

172758	7-33
172760	7-33
172762	7-19
172766	7-19
172767	7-19
172769	7-19
172771	7-3
172772	7-3
172773	7-1
172778	6-31
172779	3-17
172780	3-17
172781	3-19
172782	3-19
172783	3-17, 3-19
172784	3-15
172785	3-15
172786	3-15
172787	3-15
172788	3-13, 3-15
172790	3-13
172791	3-13
172792	3-13, 3-31, 3-33, 3-53
172802	6-69
172804	6-69
172809	1-13, 7-7
172811	1-13, 7-7
172812	6-33
172825	8-9
172826	6-23
172830	5-7, 5-27, 6-7
172831	6-7
172832	6-7
172849	1-5
172850	1-1
172851	1-1
172852	1-1
172853	1-1
172854	1-1
172855	1-5
172856	1-5
172857	1-1
172859	1-5
172860	1-1
172861	1-1
172862	1-1

# INDEX

---

172863	1-7
172864	9-73
172865	9-73
172866	9-73
172867	6-35
172870	6-3
172871	9-73
172875	9-65
172881	9-73
172886	9-35
172889	9-73
172893	7-9
172895	5-35
172898	6-41
172899	4-3
172900	6-59
172903	3-47
172904	3-47
172905	3-47
172906	3-47
172907	3-47
172908	1-1
172911	3-23
172915	3-23
172917	3-23
172919	6-25
172920	6-25
172921	6-29
172924	3-23, 3-43
172934	3-11
172937	1-11
172940	1-3
172941	1-3
172942	3-43
172943	1-7
172946	3-43
172947	6-1
172948	6-3
172953	5-19
172954	3-1, 3-9, 3-11
172957	6-1
172958	6-1
172965	3-33, 3-37
172968	6-43
172969	3-5
172970	6-5

---

# INDEX

---

172973	3-9
172975	3-43
172977	3-33, 3-37
172978	3-27, 3-43
172979	5-13
172980	5-21
172981	5-21
172983	6-17
172985	7-27, 9-15
172986	9-17, 9-19
172988	5-7, 5-27
172991	9-51, 9-55
172994	9-33
172995	6-41, 9-11
172996	9-11
172997	9-11
172998	9-51, 9-53
173000	5-11
173001	5-11
173002	5-11
173005	5-1
173006	5-1
173007	5-11
173008	5-1
173009	5-1
173010	5-1
173011	1-3, 5-1
173012	5-1
173013	5-1
173014	5-1
173015	5-1
173016	1-11
173017	1-11
173018	5-1
173020	5-17
173021	5-17
173022	5-1
173023	5-13, 6-17
173024	5-13, 6-17
173025	3-15, 3-51
173026	3-17, 3-51
173027	3-19, 3-51
173029	3-15, 3-51
173030	3-17, 3-51
173031	3-19, 3-51
173032	1-13

---

173033	5-5
173043	1-1
173044	1-5
173047	8-17
173048	8-17
173052	6-3
173053	1-1
173054	1-5
173055	1-5
173056	1-1
173057	1-5
173058	1-1
173059	1-1
173060	1-5
173062	1-3, 1-5
173063	1-5
173064	1-1
173065	7-23
173066	1-7
173069	1-3
173070	1-7
173072	1-7
173073	1-3
173074	1-7
173075	7-27
173076	4-5
173078	1-5
173080	1-3, 1-7
173081	1-5
173082	1-3, 1-5
173083	1-3, 1-7, 4-5
173089	7-29
173091	7-29
173093	7-29
173094	7-29
173096	7-29
173104	6-59
173106	6-59
173107	6-31
173112	4-3
173113	4-3
173114	4-3
173117	4-3
173118	4-3
173122	4-3
173123	4-3

---

# INDEX

---

173124	4-3
173125	5-7, 5-27
173126	6-5
173127	1-1
173133	4-1
173134	4-1
173135	4-11
173137	4-11
173138	4-1
173143	4-3
173145	4-3
173150	1-3, 1-7
173151	1-11
173155	8-9
173156	8-9
173157	5-25
173158	3-55
173163	6-3
173167	4-11
173168	4-1
173169	4-11
173170	4-11
173171	4-1, 4-11
173172	7-7, 7-13
173173	4-1
173178	1-13
173197	6-63
173210	2-1, 3-25
173211	8-15
173219	5-19
173228	9-9
173230	9-7
173234	3-33, 3-37
173243	3-17, 3-19
173244	3-17, 3-19
173245	7-27
173248	7-5, 7-31
173249	7-27
173250	7-27, 7-29
173251	7-27
173252	7-27
173254	7-27
173256	7-27
173257	1-1
173268	9-73
173273	4-3

# INDEX

173274	4-3
173277	9-51, 9-53, 9-55
173297	9-61
173298	9-61
173299	1-11
173300	1-11
173301	1-11
173302	1-11
173303	6-69
173309	6-3
173312	6-3
173322	5-37
173323	1-7
173334	7-19
173350	6-51
173357	7-25
173365	3-5
173366	4-11
173367	8-11
173368	6-19
173370	3-47
173371	3-47
173372	1-3, 1-7
173376	3-49
173383	9-7, 9-9
173384	9-7, 9-9
173391	6-9
173392	6-9
173393	6-9
173395	8-5
173396	6-17
173397	6-69
173398	9-53, 9-55, 9-57
173399	9-53, 9-57
173400	3-55
173402	9-55, 9-57
173405	8-15, 9-51, 9-57
173406	9-57
173408	9-65
173409	8-15, 9-51, 9-55, 9-57, 9-59
173410	9-73
173412	9-75
173414	9-29, 9-31
173415	9-25
173416	9-69
173417	9-69, 9-71

# INDEX

---

173418	9-21
173419	9-75
173420	9-63
173421	9-63, 9-65, 9-69
173423	8-15
173424	8-15, 9-71, 9-73, 9-75
173425	8-1
173426	8-1
173427	8-1
173428	8-1
173429	8-1
173431	8-1
173434	6-65
173436	6-65
173438	6-65
173439	6-65
173441	8-1
173442	6-65
173446	6-27
173447	6-27
173448	6-27
173454	6-35
173456	6-29
173457	6-31
173461	6-41
173480	9-21
173481	9-69
173482	9-75
173483	9-75
173484	9-75
173485	9-75
173486	9-49
173487	9-75
173506	1-7
173507	6-61
173509	6-65
173511	6-65
173514	6-65
173515	6-65
173516	5-7, 5-27
173521	5-19
173525	7-1
173529	7-1
173530	7-1
173548	7-21
173549	3-3



173550	3-3
173590	6-7
173591	6-7
173602	8-9
173624	7-9, 7-13
173625	7-9, 7-13
173627	3-1, 3-9, 3-19
173628	3-1, 3-9, 3-19
173629	3-1, 3-7, 3-19
173645	5-5, 7-33
173649	6-3
173650	6-7
173652	6-7
173659	5-3
173661	5-5, 7-33
173662	6-63
173663	6-63
173664	5-5
173666	6-9
173667	6-9
173668	7-33
173674	6-27
173676	3-15
173677	3-15
173683	7-13
173772	3-1
173800	9-61
173813	9-61
173814	9-61
173819	5-1
173943	3-55
173951	9-73
173964	3-47, 3-49
173965	3-49
178175	9-61
178177	1-11
178178	9-75
178179	8-1
178184	5-35
178186	5-11
178191	3-5
178194	3-5
178195	3-5
178199	1-11, 3-53
178211	5-15
178212	5-15

# INDEX

---

178259	8-1
178283	1-9
178307	8-17, 9-23
178315	9-57
178317	9-69
178318	9-69
178319	9-69
178323	9-71
178324	9-71
178332	9-51, 9-55
178338	9-51
178339	6-31
178341	6-59, 6-61
178355	1-11, 1-13, 3-53
178359	6-17
178360	5-21, 5-31, 5-37
178366	9-3
178368	2-1, 3-39
178371	9-7, 9-9
178373	1-1
178374	1-1
178400	8-5
178401	4-5, 5-33, 5-35
178402	6-31
178403	6-19, 8-5
178404	4-1, 4-7, 4-9, 4-11, 4-13, 7-13
178406	4-1, 4-11
178407	3-31, 5-29, 6-33
178408	5-29
178410	6-5
178411	3-33
178414	3-33, 3-37
178416	5-19
178418	6-29
178420	6-29
178449	6-31
178450	6-31
178461	3-5
178475	9-71
178476	9-75
178478	9-75
178482	9-75
178494	5-9
178495	5-9
178496	5-9
178497	5-5

178502	5-27
178510	5-7
178512	3-31
178522	3-31
178523	5-3
178526	5-3
178527	5-5, 5-19
178528	5-3, 5-19
178530	9-61
178535	3-1, 3-29, 3-35
178538	3-1, 3-33, 3-35
178544	3-35
178549	3-29, 3-35
178553	3-31
178555	3-31
178556	3-31
178571	3-31
178572	5-19
178575	3-31, 3-35
178576	3-33
178590	3-33, 3-37
178591	3-31
178595	3-29
178596	3-41
178603	6-19
178607	6-19
178627	6-59
178628	6-59
178629	6-59
178634	6-59
178650	6-11
178654	6-3
178661	6-15
178670	6-37
178676	6-37
178678	6-37
178682	6-35
178720	6-19
178721	6-51
178722	6-55
178723	6-31, 6-49
178728	6-21
178730	6-21
178731	6-21
178737	6-57
178738	6-57

# INDEX

---

178741	6-3
178742	6-57
178746	6-57
178750	6-1
178761	6-57
178763	6-57
178764	6-57
178765	6-57
178766	6-57
178767	6-57
178775	6-33
178778	8-9
178780	8-9
178781	8-9
178796	3-33, 3-35
178801	6-31
178804	6-31
178805	6-31
178806	6-31, 6-55
178808	6-55
178809	6-35
178812	6-35
178813	6-35
178814	6-35
178816	6-35
178827	5-9
178830	5-9
178835	6-29
178841	6-27
178847	6-29
178849	3-19
178860	9-71
178881	6-19, 6-29
178883	9-9
178884	9-7
178888	6-3
178901	6-41
178902	6-43
178903	6-41
178904	6-41
178906	6-41
178907	6-41
178908	6-41
178917	6-43
178921	6-43
178927	6-43

178932	6-19, 6-29
178933	3-33, 3-37
178941	5-27
178949	3-1, 3-7, 3-27
178962	6-29
178965	6-53
178986	3-25
178987	3-25
178991	3-25
178993	9-1
178994	9-1
178995	3-27, 5-23
178999	7-23, 7-31
179018	3-47
179022	6-9
179053	5-5
179056	3-47
179081	3-53
179090	3-41, 3-53
179097	3-17, 3-31
179098	3-31
179110	3-19
179114	3-41
179116	3-41
179120	3-39
179123	3-45
179150	3-49
179151	3-49
179152	3-49
179156	5-23
179161	5-23
179163	3-45, 3-49
179166	5-23
179167	5-23
179170	3-47, 3-53
179171	3-47
179177	3-39
179178	3-39
179183	3-39
179185	3-45
179189	3-19
179192	3-41, 3-53
179193	3-41, 3-53
179198	3-41
179199	3-41
179216	3-41, 5-29

# INDEX

---

179218	3-7, 3-9, 3-19
179220	3-9, 3-19
179221	3-9, 3-19, 3-37
179232	6-45, 6-47
179234	6-47
179304	5-21
179307	5-13
179308	5-13, 5-21
179310	5-21
179314	5-21
179315	5-13
179322	5-13, 5-21
179324	5-21
179325	5-21
179328	5-15
179329	5-21
179332	3-41, 3-53
179333	3-41, 3-53
179349	5-13
179370	3-31, 3-45, 5-21, 5-29, 5-31, 5-37
179402	5-15
179404	5-15
179405	5-15
179407	5-15
179411	3-5
179412	5-27
179417	6-5
179443	5-21
179448	3-17
179449	3-17
179452	6-5
179457	6-3
179470	6-5
179480	6-5
179482	6-5
179489	8-17
179500	3-19
179501	3-19
179504	6-9
179505	5-27
179514	5-19
179523	5-7, 5-27, 6-7
179547	5-31, 5-37
179553	5-27
179567	7-31
179573	2-1

179575 . . . . .	7-21	
179578 . . . . .	7-21, 7-23	
179581 . . . . .	7-21	
179584 . . . . .	7-21	
179585 . . . . .	9-73	
179614 . . . . .	9-65	
179618 . . . . .	9-67	
179620 . . . . .	9-73	
179624 . . . . .	9-73	
179626 . . . . .	7-33	
179637 . . . . .	6-45	
179666 . . . . .	5-9	
179683 . . . . .	5-19	
179684 . . . . .	4-3	
179697 . . . . .	4-3	
179698 . . . . .	5-15	
179702 . . . . .	5-15	
179704 . . . . .	5-15	
179705 . . . . .	5-15	
179708 . . . . .	5-15	
179709 . . . . .	5-13, 5-21	
179714 . . . . .	6-3	
179720 . . . . .	8-9	
179740 . . . . .	5-31, 5-37	
179760 . . . . .	3-31, 5-37	
179763 . . . . .	8-9	
179767 . . . . .	5-31, 5-37	
179802 . . . . .	4-5, 5-31	
179804 . . . . .	8-7	
179808 . . . . .	3-31, 3-45	
179813 . . . . .	3-31, 3-45, 5-37, 6-33	
179815 . . . . .	5-31, 5-37	
179816 . . . . .	5-19	
179824 . . . . .	4-5	
179832 . . . . .	3-31, 3-45, 5-29	
179834 . . . . .	6-11	
179877 . . . . .	3-25	
179878 . . . . .	9-73	
179924 . . . . .	4-1	
179926 . . . . .	4-1, 4-11, 7-7, 7-13	
179928 . . . . .	6-17	
179936 . . . . .	3-5	
179945 . . . . .	3-5	
179947 . . . . .	3-21	
179958 . . . . .	3-1, 3-23	
179961 . . . . .		

# INDEX

---

179962	3-5
179963	3-5
179971	3-23
179974	3-5
179983	3-5
179988	3-21
179990	3-21
180001	5-23
180002	5-25
180003	5-23
180005	5-23
180017	5-13, 5-21
180019	6-17
180020	6-17
180127	1-13
180128	1-13
180139	1-13
180160	1-13
180161	1-1
180162	1-13
180169	9-63
180175	1-9
180176	1-9
180177	1-9
180180	1-9
180185	1-9
180188	1-9, 1-11, 1-13
180205	6-17
180208	6-9
180211	5-15
180212	4-11
180250	5-21
180251	5-13, 5-21
180255	5-15
180256	5-15
180257	5-15
180258	5-15
180260	5-21
180261	5-13, 5-21
180279	6-17
180280	6-17
180281	3-23
180282	3-51
180293	1-9
180300	3-27
180303	3-27



# INDEX

180329	5-13
180330	3-1, 3-25
180334	3-25
180349	5-3, 5-19
180361	3-49
180362	3-49
180363	3-45, 3-49
180376	8-17
180377	8-17
180378	8-17
180379	8-17
180380	8-17
180384	5-23
180385	5-23
180425	3-33
180429	3-29
180431	3-29
180433	3-29
180439	3-29
180440	3-29
180441	3-29
180443	6-43
180444	6-43
180463	6-65
180472	6-33, 6-43, 7-27
180477	4-7
180478	4-7
180479	4-11, 5-37
180480	4-1
180481	4-11
180482	4-1, 4-11
180483	4-1
180484	4-11
180490	1-13, 3-53
180491	4-1, 4-9, 4-11, 4-13
180492	4-1, 7-7, 7-13
180493	4-1, 4-11
180494	4-1, 4-7, 4-9, 4-11, 4-13
180496	4-1, 4-11
180497	4-1, 4-7, 4-9, 4-11, 4-13, 7-7, 7-13
180498	4-1, 4-11, 7-7, 7-13
180500	4-1, 4-7
180501	4-1
180502	4-1, 4-11, 7-7, 7-13
180519	3-1, 3-29, 3-35
180529	6-35

# INDEX

---

180530	6-43
180531	6-43
180532	6-41
180534	6-43
180537	6-43
180538	6-43
180539	6-43
180542	1-11
180544	1-11
180548	6-67
180554	1-9
180555	3-33
180556	3-33
180561	3-5
180567	9-51, 9-53, 9-55
180575	3-29
180576	9-51
180577	3-27
180578	3-27
180579	3-27
180581	3-55
180588	1-9
180589	1-9
180594	4-1
180598	6-63
180604	6-63
180606	6-63
180607	6-63
180609	6-63
180611	6-63
180613	6-39
180615	6-63
180624	6-63
180626	6-39
180627	6-63
180628	6-63
180635	6-39
180644	6-51
180646	6-51
180653	6-61, 6-65
180662	6-45
180670	6-65
180671	6-65
180672	6-61
180673	6-59
180674	6-61

180675	6-61
180676	6-61
180677	6-61
180678	6-61
180679	2-1
180685	6-7
180686	6-7
180687	6-23
180688	6-23
180690	6-23
180691	6-23
180695	3-39
180697	3-39
180698	3-39
180703	2-1
180708	6-63
180709	5-15
180710	5-15
180712	5-19
180771	6-33
180772	6-33
180773	6-33
180774	6-33
180775	6-33, 6-37
180776	6-33
180778	6-33
180780	6-33
180782	6-33
180783	6-33
180788	1-9
180792	6-37
180793	6-37
180794	6-37
180795	3-29
180824	6-5
180830	6-61
180831	6-61
180832	6-61
180835	6-33
180838	3-27, 3-43, 3-51
180840	6-37
180842	6-59
180844	3-33, 3-37
180845	3-1
180849	6-63
180850	3-3

# INDEX

---

180851	3-3
180853	3-3
180854	3-3
180856	3-3
180858	3-3
180859	3-3
180862	3-3
180868	1-9
180870	1-11, 3-53
180873	3-55
180881	8-5
180882	3-19
180888	3-1, 3-11
180895	3-1, 3-11
180897	6-39
180908	6-39
180910	3-25
180914	5-9
180916	5-9
180918	1-11
180926	6-5
180933	6-5
180936	6-5
180938	6-33
180959	6-33
180960	6-33
180961	8-3
180963	3-1, 3-11
180970	3-1, 3-11
180974	6-21
180980	6-25
180982	6-41
180987	1-1
180996	6-19, 6-69
190129	6-23
190130	6-5
190148	3-23
190149	7-19
190157	7-19
190220	5-3, 5-19, 6-35, 6-43
190254	6-11
190302	6-61
190345	6-31, 6-55
190394	6-15
190601	3-23
190631	

# INDEX

190713	3-21, 6-29, 6-41
190731	1-9, 1-11, 1-13, 6-41
191384	1-11, 3-43, 6-31, 6-49, 6-55, 6-63, 6-69
191397	3-13
191786	7-13
191797	1-13, 3-31, 6-35, 6-63, 7-7
192034	6-21
192035	6-21
192125	6-49
192151	6-63
192182	6-41
192204	3-21
192206	3-21
192230	3-49
192258	6-23
192766	3-45, 8-17
192795	5-15, 6-21
192797	3-41, 5-5, 5-9, 6-27
192798	5-23, 6-15
192876	5-27
193035	6-41
193090	6-1
193338	1-3, 1-7
193577	6-43, 6-51
193774	3-25
193795	6-45
194611	3-15
194801	6-17
194835	7-3
195234	5-5, 6-69
195236	7-19
195401	7-17
195837	7-23, 7-31
195930	3-47
196244	2-1
196330	7-9
196390	7-3
196397	6-69, 7-7, 7-11
196398	7-31
196402	7-31
196403	7-11
196405	7-23
196410	7-19
196443	7-17
196444	7-17
196449	7-7, 7-11

# INDEX

196450	7-7, 7-11
196453	7-11
196454	7-7, 7-11
196783	3-11
196830	3-49
196831	3-49
196832	3-47, 5-21
196834	3-41
196835	3-41
196838	3-23, 3-41
196839	3-41
196840	3-41
196847	3-39
196849	6-47
196850	3-15, 3-17, 3-19, 7-33
196859	3-17, 3-19
196860	3-17, 3-19, 3-23
196867	3-19
196873	3-17, 3-19
196881	3-31, 3-45, 5-29
196884	3-13, 3-15, 3-17, 3-19, 3-23
196888	5-21
196891	3-31, 6-59
196901	6-29
196906	2-1
196909	5-27
196927	6-17, 8-15
196929	5-15
196945	6-17
196946	5-21
196948	5-21
196953	5-15
196955	5-5, 7-33, 8-17
196956	8-17
196963	5-19
196971	4-5, 5-33, 5-35, 5-37
196973	8-7
196977	5-31, 5-35, 5-37
196978	5-31
196980	8-13
196988	1-11, 1-13, 7-5
196992	6-3
196997	3-27, 3-43, 6-65
196999	4-3
197000	6-47
197001	6-5, 6-27, 6-41

# INDEX

197009	6-69
197010	8-17
197011	6-23
197014	3-23
197018	3-5
197021	3-5, 5-27
197022	3-23
197023	5-23
197024	5-23
197025	5-23
197029	5-23
197038	7-11
197047	6-3
197048	6-3
197052	6-3
197054	6-19
197063	6-17
197076	6-35
197077	6-37
197078	6-37
197079	6-11, 6-15
197080	6-15
197086	6-21
197087	6-25
197088	6-21
197092	6-17
197095	5-33
197097	3-19, 3-25
197098	3-25
197101	3-25
197102	3-25
197106	3-49
197107	2-1, 3-27
197119	6-15, 6-17
197126	6-29
197127	6-1, 6-27
197130	5-3, 5-19
197132	5-3, 5-19
197134	6-35
197135	5-19
197137	5-3, 5-5, 5-19
197140	6-29
197143	6-21
197144	5-27
197145	6-49, 6-55, 6-57
197147	6-29

# INDEX

---

197148	6-19
197157	6-23
197158	6-23
197159	6-23
197160	3-27, 3-43, 6-19
197161	3-5, 5-17
197166	6-41
197168	3-55
197172	5-9
197174	6-35
197175	6-41
197178	6-31
197179	5-15
197180	6-29
197182	6-19, 6-37, 8-7, 8-9
197189	3-17
197194	6-69
197195	1-7, 1-9
197199	6-17
197206	7-23
197207	3-5
197208	3-5
197209	3-55
197219	6-23
197220	3-39
197221	6-63
197222	6-63
197223	6-9
197224	6-9
197326	6-33
197327	3-29
197328	3-17, 3-19, 3-33
197329	8-7, 8-11
197330	8-7, 8-9
197331	8-7
197333	8-7, 8-11
197334	8-7
197337	6-37
197338	6-37
197343	6-9
197344	6-9
197345	6-21
197350	8-11
197351	8-11
197353	6-13
197354	6-13



197356	6-13
197364	5-9
197366	3-3
197371	3-3
197372	3-3
197376	5-21
197387	6-33
197389	5-35, 5-37
197391	8-3, 8-11
197392	8-7
197394	6-9
197395	4-5, 5-35, 8-9
197396	4-5, 5-33, 8-9
197397	4-5
197398	3-17
197399	3-13
197401	8-7
197407	9-63
197410	6-57
197414	3-17
197416	4-5, 8-1, 8-15
197419	3-15, 3-17, 3-19
197420	7-27
197422	7-19
197450	5-37
197451	6-19
197452	5-5, 5-19
2006003A	7-55
200730	9-5
202144	8-3
202475	8-3
202604	3-41
204185	5-1
21390191	7-37
2139020	7-45
2436009	7-53
2436010	7-53
2446011A	7-47
250060	9-43
250062	9-35
250077	5-11, 7-27, 7-29, 9-37, 9-43, 9-45
250098	4-5, 7-27, 9-33, 9-35
250203	6-41, 9-35, 9-37, 9-39, 9-41, 9-43, 9-45
250205	7-15
250206	9-61
250273	9-15, 9-37, 9-41, 9-43

# INDEX

---

250342	9-33, 9-35, 9-43, 9-45, 9-47
250356	1-9, 6-25, 7-27, 7-29, 8-1, 9-15
250357	9-61
250493	8-5, 9-69
250500	3-29
250586	9-15, 9-41
250920	9-15
250931	9-29, 9-49
250945	9-31, 9-37, 9-39
250A	7-37
251191	8-1
251374	8-9
251520	9-3
252094	6-59
252387	9-11
252527	8-1
252537	9-59
252787	9-11
252793	9-5, 9-33
253044	9-65
253277	9-27, 9-29
253286	9-29, 9-31, 9-35
253287	9-11
253303	9-23
253328	9-13
253329	9-25
253375	6-29, 6-41, 9-11
253381	3-21
253383	4-5, 8-1, 9-11, 9-29, 9-31, 9-45
253384	9-5, 9-11, 9-33, 9-35, 9-37, 9-39, 9-41, 9-45
253386	9-35, 9-47
253387	8-1, 9-15
253388	9-37, 9-39, 9-41
253390	9-41
253391	9-29
253392	9-37
253393	9-11, 9-21
253394	9-29, 9-41
253474	6-31, 9-67
253475	6-31
253524	8-1
253537	9-51, 9-53
253543	9-59
253729	9-47
253815	8-17
253822	1-9, 1-11, 1-13, 6-41, 9-11

253859 . . . . .		9-67
253860 . . . . .		9-9, 9-67
253861 . . . . .	9-7, 9-9, 9-67	
253862 . . . . .		9-7
253863 . . . . .		9-7
253864 . . . . .	9-7, 9-9, 9-67	
253864 . . . . .	9-7, 9-9, 9-67	
253865 . . . . .	9-7, 9-9, 9-67	
253866 . . . . .	9-7, 9-9, 9-67	
253868 . . . . .		9-69
253890 . . . . .		9-29
253898 . . . . .		9-67
253905 . . . . .		9-23
253911 . . . . .		9-1
253914 . . . . .		9-61
253915 . . . . .		8-9
253916 . . . . .	4-1, 4-13	
253918 . . . . .		9-73
253930 . . . . .		9-67
253932 . . . . .		9-73
253944 . . . . .		9-61
253947 . . . . .		9-61
254080 . . . . .		9-25
254151 . . . . .	9-25, 9-35	
254152 . . . . .		9-3
254154 . . . . .	9-17, 9-19	
254157 . . . . .	9-17, 9-19, 9-37, 9-39	
254160 . . . . .	9-19, 9-49	
254161 . . . . .		9-3
254162 . . . . .		9-3
254163 . . . . .		9-73
254169 . . . . .		9-61
254170 . . . . .		9-61
254171 . . . . .		9-63
254180 . . . . .		9-63
254181 . . . . .		9-65
254182 . . . . .		9-73
254183 . . . . .	9-9, 9-67	
254184 . . . . .	9-9, 9-67	
254185 . . . . .	9-9, 9-67	
254186 . . . . .		9-67
254187 . . . . .		9-67
254188 . . . . .	9-9, 9-67	
254189 . . . . .	9-9, 9-67	
254190 . . . . .	9-7, 9-67	
254191 . . . . .		9-7
254193 . . . . .		

# INDEX

254194	9-7
254195	9-7
254197	9-61
254199	9-61
254202	9-73
254204	9-35
254205	9-9, 9-67
254211	9-73
254260	9-49
254262	8-1
254319	9-61
254321	9-69
254325	9-61
254377	7-15
254379	9-5
254398	9-41
254401	9-47
254403	9-33
254406	9-33, 9-43, 9-45
254444	9-61
254445	9-41
254451	9-49
254461	9-73
254462	9-73
254472	9-17, 9-29, 9-31, 9-35, 9-37, 9-39, 9-41, 9-45, 9-49
254499	9-61
254530	8-15, 9-31
254531	9-17, 9-29, 9-35, 9-39, 9-47, 9-49
254533	9-59
254534	9-59
254543	9-59
254544	9-61
254545	9-61
2639017	7-45
2639022	7-45
2739021	7-43
2779004	7-43
2779009	7-39, 7-43
2779017	7-43
2779024	7-43
2879005B	7-47
2906022A	7-45
2979021	7-53
3116003	7-37
3165014	7-41
3221005	7-41

3222003	7-37
3231006	7-41
3386007	7-41
3421040A	7-37
3441042	7-45
3451002	7-41
3691016	7-43
38NB916	7-49
38PANEL	7-53
400543	3-29
400644	7-11
400757	1-1
401232	7-17
401617	9-51, 9-55
41-440	7-35
41316001	7-47
41317008	7-55
41511322	7-57
41525320	7-53
41528123	7-57
41742000	7-47
4209905	7-37
4209909	7-39
4236224A	7-53
42412015	7-37
42423040	7-35
42556003	7-53
42989001	7-37
43324102	7-45
43443905	7-49
43453904	7-53
43464410	7-35
43466315	7-59
440HN	7-45
440MS34	7-45
47420632	7-47
480319-10	7-45
4LWT	7-45
5250-2	7-37, 7-41
5X442	7-49
62030	7-35
632MS12	7-39, 7-47
632MS14	7-39, 7-43
632SHN	7-47
6623SR	7-55
67312051	7-47

# INDEX

6752620	7-39
6753423A	7-51
6762105A	7-53
6778805	7-45
6785052A	7-49
6785151A	7-49
6785319	7-41
678554A	7-51
678555A	7-51
6785556A	7-51
6785557A	7-51
6785568A	7-47
6813206A	7-59
6822308A	7-49
6831503	7-53
6955008	7-53
6LWT	7-39, 7-43
6PHSM14	7-45
703107	5-19
78304-9000	7-35
8-FR089	7-49
8-FR66	7-53
8221402A	7-47
832HN-NYL	7-53
832SHN	7-47
84119103	7-35
A2323111	7-37
A323102	7-45
CD-0609	7-45
CH-0407	7-41, 7-45
CW-0805	7-39, 7-53
FAS170602-24	7-43
GSTFILTER	7-59
I-14T12R	7-35
IRWL-BLUE	7-41, 7-53
IRWL-RED	7-45, 7-49
IRWL-WHITE	7-41, 7-49
LCB-2	7-47
PV14-10R	7-57
RP-LAMP	7-39
UM5006	7-37, 7-41, 7-45