

VARN **Kompac II** **AUTOMATIC DAMPENER**

U.S. PATENT NO. 4455938

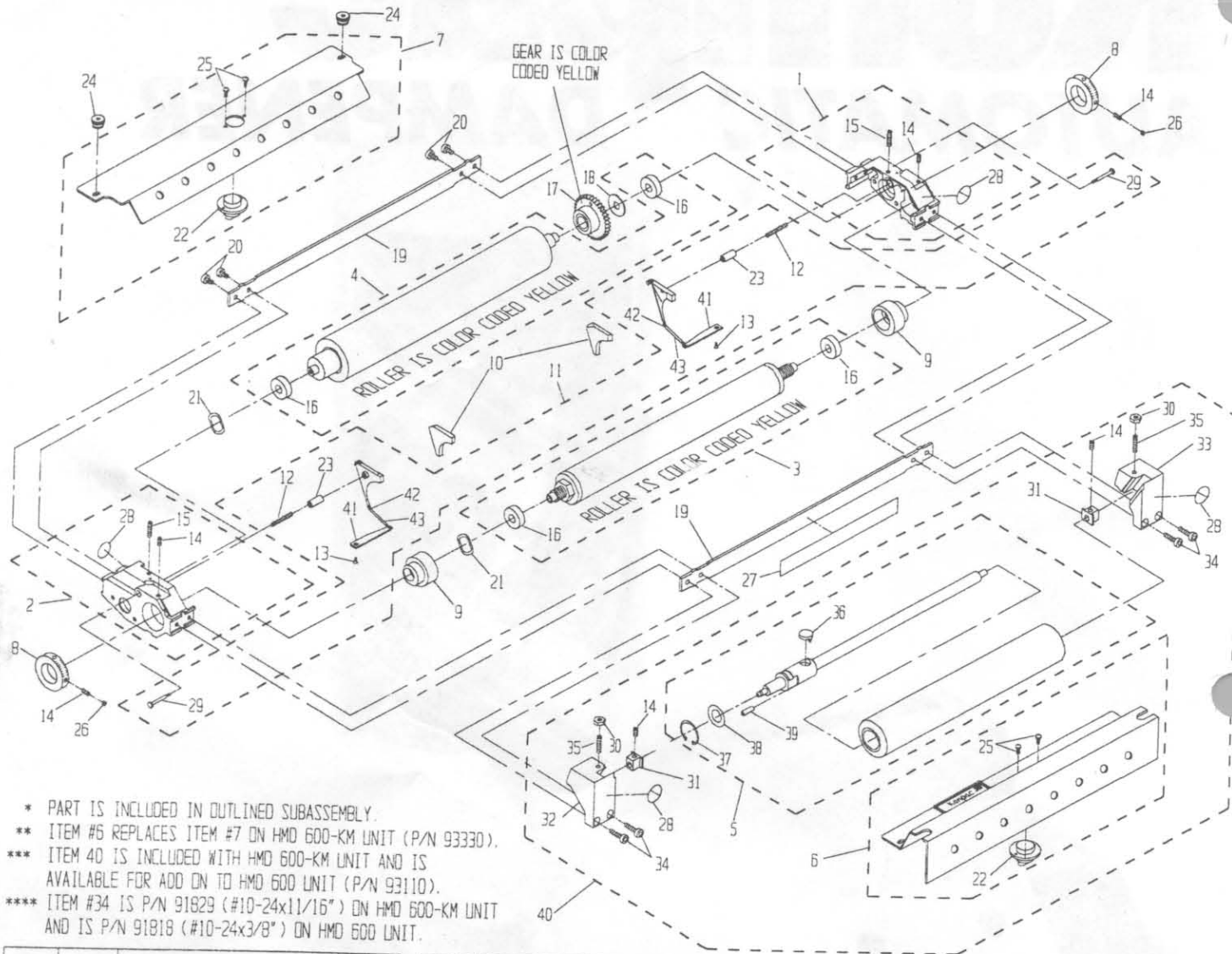


**PARTS
CATALOG
FOR MODEL**

HMD 600

HMD 600 UNIT: P/N 93110
HMD 600-KM UNIT: P/N 93330

PARTS CATALOG #90242 RE



- * PART IS INCLUDED IN OUTLINED SUBASSEMBLY.
- ** ITEM #6 REPLACES ITEM #7 ON HMD 600-KM UNIT (P/N 93330).
- *** ITEM 40 IS INCLUDED WITH HMD 600-KM UNIT AND IS AVAILABLE FOR ADD ON TO HMD 600 UNIT (P/N 93110).
- **** ITEM #34 IS P/N 91829 (#10-24x11/16") ON HMD 600-KM UNIT AND IS P/N 91818 (#10-24x3/8") ON HMD 600 UNIT.

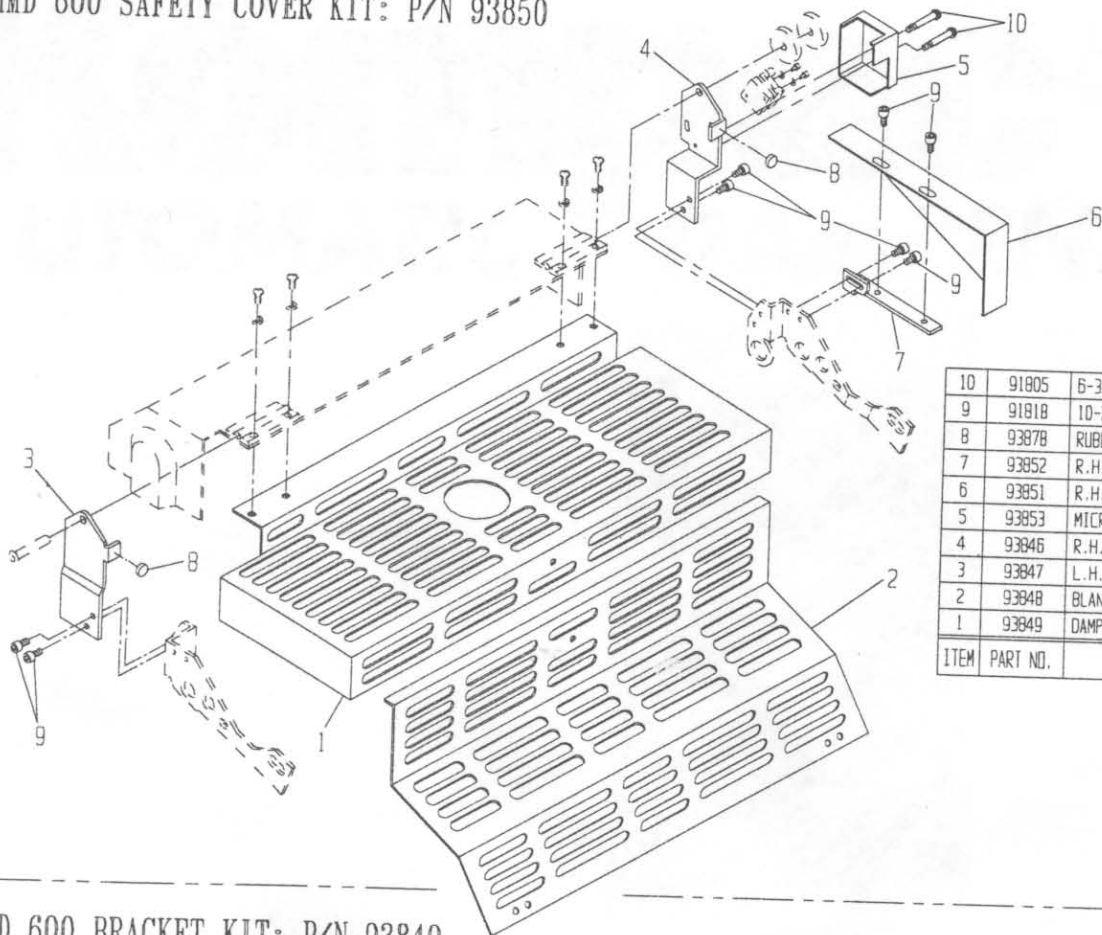
ITEM#	PART #	DESCRIPTION	QTY
43	92259	SPRING COVER	*
42	92236	TAB SPRING	*
41	92234	TAB	*
40	96550	KOLORMATE MODEL 50	***
39	91949	SPRING PIN	*
38	91965	WASHER	*
37	91997	RETAINING CLIP	*
36	91111	DRIVE SHAFT FOLLOWER	*
35	91851	#10-32 X 1 SET SCREW	*
34	****	#10-24 SOCKET HEAD SCREW	4
33	91017	R.H. OSC. END BLOCK	*
32	91018	L.H. OSC. END BLOCK	*
31	91219	ALIGNMENT BLOCK	*

ITEM#	PART #	DESCRIPTION	QTY
30	91982	#10-32 NUT	*
29	92303	SHOULDER SCREW	*
28	92601	INWARD NIP SYMBOL	*
27	92494	WARNING STICKER	1
26	91810	#10-24 X 1/8 SLOT SET SCW	2
25	91806	#6-32 X 3/8 PHILLIPS HD SCW	*
24	92691	COVER NUT	2
23	92304	GUIDE PIN	*
22	92604	NOZZLE	*
21	92491	WAVE WASHER	2
20	91818	#10-24 X 3/8 SOC HD SCREW	4
19	92497	12-9/16" TIE BAR	2
18	92415	THRUST WASHER	1
17	92860	GEAR CLUTCH ASSY, HMD 600	1
16	92401	BEARING	*

ITEM#	PART #	DESCRIPTION	QTY
15	91814	#10-24 X 3/4 SET SCREW	*
14	91811	#10-24 X 1/4 SET SCREW	2*
13	91802	#3-48 X 1/4 FLAT HD SCREW	*
12	92238	COMPRESSION SPRING	*
11	92290	BACKING PLATE KIT (L & R)	1
10	92370	SEAL SET (L & R)	1
9	92291	ECCENTRIC	2
8	92222	METERING GAUGE	2
7	92630	12-9/16" COVER ASSEMBLY	1**
6	91340	12-9/16" COVER ASSY (OSC)	**
5	91305	12-9/16" OSC. ROLL PARTS ASSY	1
4	92510	12-9/16" FORM ROLLER W/B	1
3	92500	12-9/16" METERING ROLL W/B	1
2	92210	L.H. END FRAME ASSY	1
1	92200	R.H. END FRAME ASSY	1

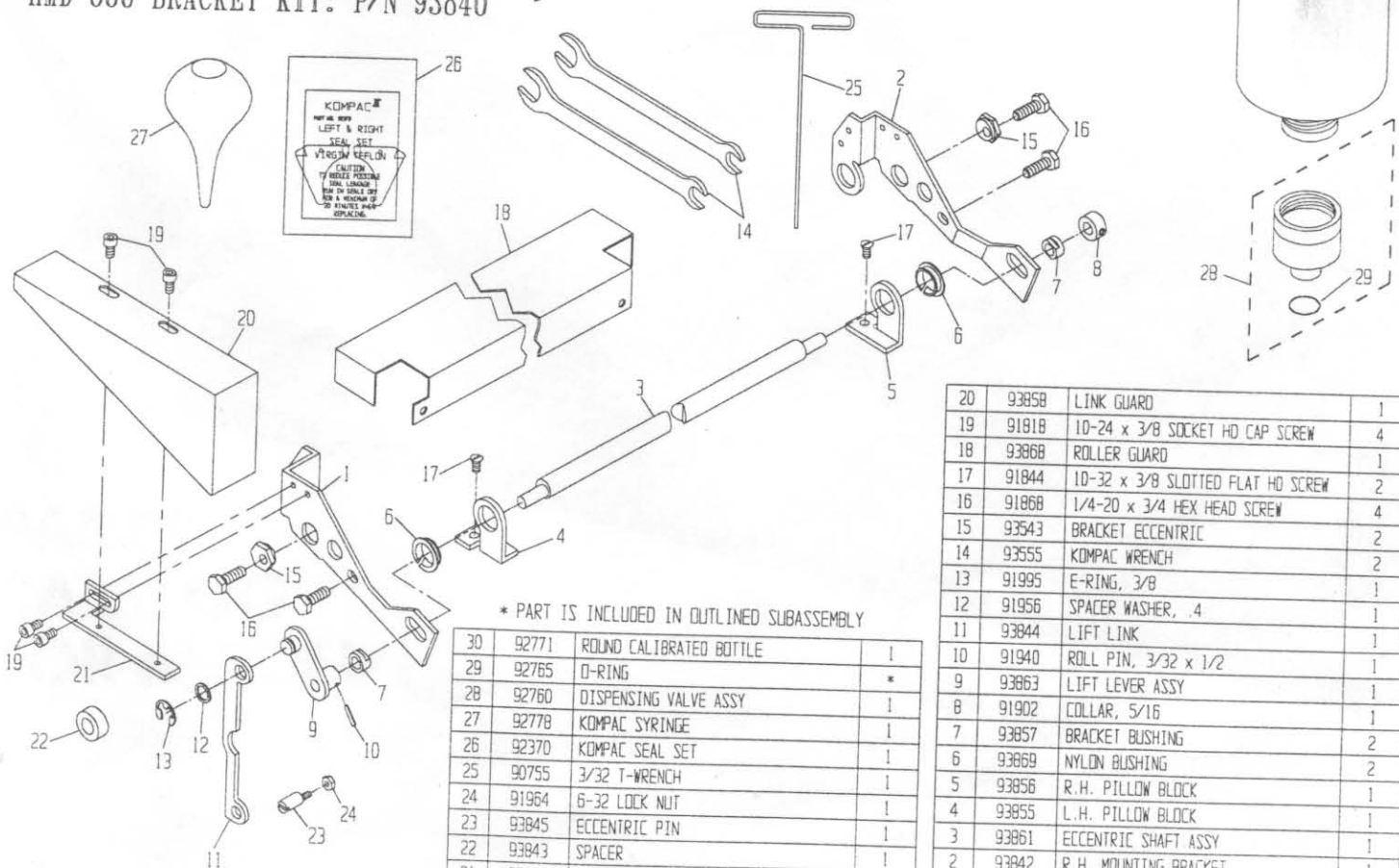
HMD 600 SAFETY COVER KIT: P/N 93850

PARTS CATALOG #90242 REV A



ITEM	PART NO.	DESCRIPTION	QTY.
10	91805	6-32 x 1-1/4 SLOTTED PAN HD SCREW	2
9	91818	10-24 x 3/8 SOCKET HEAD CAP SCREW	8
8	93878	RUBBER BUMPER	2
7	93852	R.H. LINK GUARD BRACKET	1
6	93851	R.H. LINK GUARD	1
5	93853	MICRO SWITCH COVER	1
4	93846	R.H. COVER SUPPORT BRACKET	1
3	93847	L.H. COVER SUPPORT BRACKET	1
2	93848	BLANKET CYLINDER GUARD	1
1	93849	DAMPENER GUARD	1

HMD 600 BRACKET KIT: P/N 93840



* PART IS INCLUDED IN OUTLINED SUBASSEMBLY

ITEM	PART NO.	DESCRIPTION	QTY.
30	92771	ROUND CALIBRATED BOTTLE	1
29	92765	O-RING	*
28	92760	DISPENSING VALVE ASSY	1
27	92778	KOMPAC SYRINGE	1
26	92370	KOMPAC SEAL SET	1
25	90755	3/32 T-WRENCH	1
24	91964	6-32 LOCK NUT	1
23	93845	ECCENTRIC PIN	1
22	93843	SPACER	1
21	93859	LINK GUARD BRACKET	1

ITEM	PART NO.	DESCRIPTION	QTY.
20	93858	LINK GUARD	1
19	91818	10-24 x 3/8 SOCKET HD CAP SCREW	4
18	93868	ROLLER GUARD	1
17	91844	10-32 x 3/8 SLOTTED FLAT HD SCREW	2
16	91868	1/4-20 x 3/4 HEX HEAD SCREW	4
15	93543	BRACKET ECCENTRIC	2
14	93555	KOMPAC WRENCH	2
13	91995	E-RING, 3/8	1
12	91956	SPACER WASHER, .4	1
11	93844	LIFT LINK	1
10	91940	ROLL PIN, 3/32 x 1/2	1
9	93863	LIFT LEVER ASSY	1
8	91902	COLLAR, 5/16	1
7	93857	BRACKET BUSHING	2
6	93869	NYLON BUSHING	2
5	93856	R.H. PILLOW BLOCK	1
4	93855	L.H. PILLOW BLOCK	1
3	93861	ECCENTRIC SHAFT ASSY	1
2	93842	R.H. MOUNTING BRACKET	1
1	93841	L.H. MOUNTING BRACKET	1