

Date of Installation : _____

Unit Serial Number : _____

Kompac Dealer : _____

Kompac®



A DIVISION OF DAY INTERNATIONAL, INC.



DAY INTERNATIONAL, INC.

Image Transfer Group



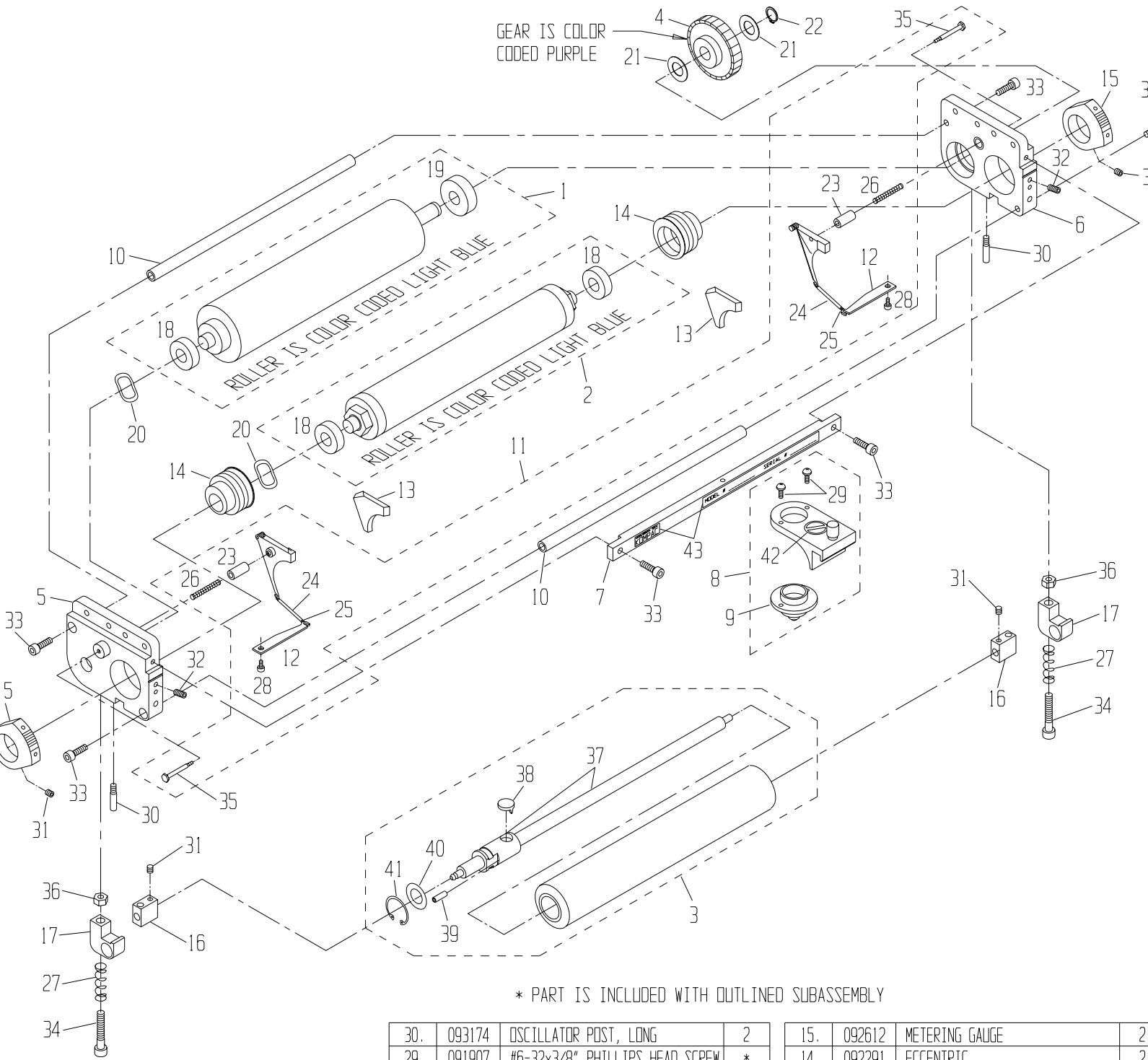
HMD 600-2-O

Parts Catalog # 093322

159 DWIGHT PLACE , FAIRFIELD , NEW JERSEY 07004

TEL: 973-227-8611 / 800-541-5702

FAX: 973-227-7532



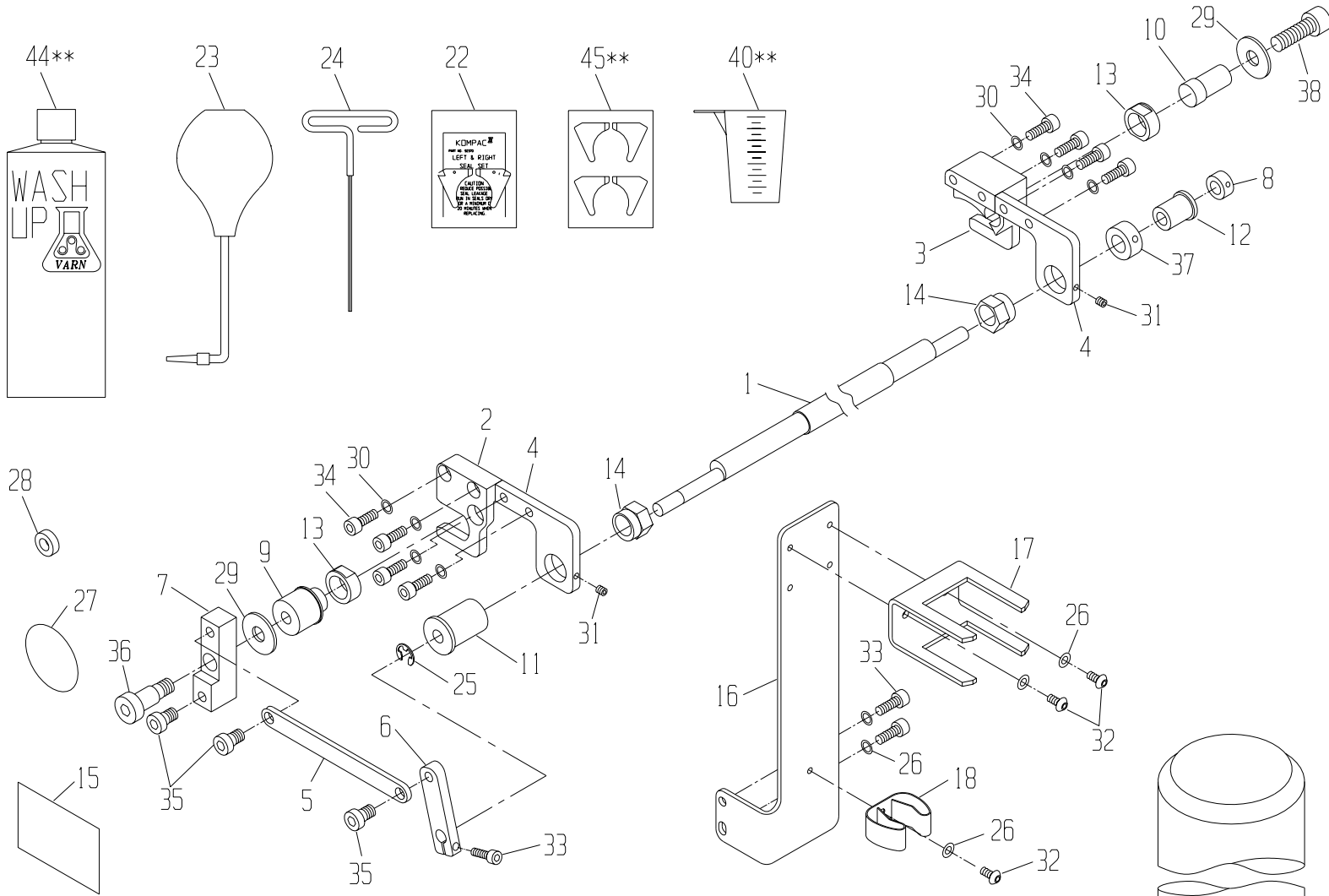
ITEM	PART #	DESCRIPTION	QTY.
43.	095854	STICKER, I.D.	1
42.	092601	WARNING STICKER (INWARD NIP)	1
41.	091997	OSC. RETAINING CLIP	*
40.	091965	OSC. RETAINING WASHER	*
39.	091949	SPRING PIN (5/32x1/2")	*
38.	091111	OSC. DRIVE SHAFT FOLLOWER	*
37.	091252	OSC. SHAFT ASSY, L.S.	*
36.	091753	M6x1 HEX NUT	2
35.	092296	BACK. PLATE SHOULDER SCW, SHORT	*
34.	091592	M6x40mm SOCKET HEAD SCREW	2
33.	091891	M5x16mm SOCKET HEAD SCREW	6
32.	091897	M5x10mm SET SCREW	2
31.	091888	M5x5mm SET SCREW	4

ITEM	PART #	DESCRIPTION	QTY.
30.	093174	OSCILLATOR POST, LONG	2
29.	091907	#6-32x3/8" PHILLIPS HEAD SCREW	*
28.	091901	M3x6mm SOCKET HEAD SCREW	*
27.	092007	SPRING, COMPRESSION	2
26.	092238	COMPRESSION SPRING	*
25.	092236	TAB SPRING (EXTENSION)	*
24.	092259	SPRING COVER	*
23.	092304	GUIDE PIN	*
22.	091662	RETAINING RING (12mm)	1
21.	091966	WASHER, FLAT (.478x.878x.02")	2
20.	092491	WAVE WASHER	2
19.	092586	BEARING (12x32x10mm)	*
18.	092401	BEARING (10x26x8mm)	*
17.	094342	SPRING HOUSING	2
16.	093165	BLOCK, OSCILLATOR	2

ITEM	PART #	DESCRIPTION	QTY.
15.	092612	METERING GAUGE	2
14.	092291	ECCENTRIC	2
13.	092370	KOMPAC SEAL SET	1
12.	090971	TAB, SHORT	*
11.	090970	BACKING PLATE KIT (HAMADA)	1
10.	092138	TIE ROD	2
9.	092604	NOZZLE	*
8.	098750	ASSY, BRACKET NOZZLE	1
7.	093265	TIE PLATE	1
6.	093182	ASSY, END FRAME, R.H.	1
5.	093181	ASSY, END FRAME, L.H.	1
4.	090969	GEAR CLUTCH ASSY	1
3.	091303	11-1/2" OSC. ROLLER PARTS ASSY	1
2.	092145	METER. ROLLER W/B (HMD 11-5/8")	1
1.	092144	FORM ROLLER W/B (HMD 11-5/8")	1

HMD-600-2-0 BRACKET KIT: P/N 093327

PARTS CATALOG P/N 093322 REV. B



* PART IS INCLUDED WITH OUTLINED SUBASSEMBLY
 ** ITEMS 40, 41, 42, 44, AND 45 ARE NOT INCLUDED WITH BRACKET KIT, P/N 093327

45.	094990	KOMPAC CLEANING SEALS (4)	**
44.	092785	WASH-UP BOTTLE	**
43.	092765	DISPENSING VALVE O-RING	*
42.	092760	DISPENSING VALVE ASSEMBLY	**
41.	092771	ROUND CALIBRATED BOTTLE	**
40.	092783	MEASURING CUP	**
39.	091911	CLAMP, ADJUSTABLE 1/4"-25/32"	*
38.	091629	M10x30mm SOCKET HEAD SCREW	1
37.	093175	COLLAR, SET SCREW, .562 I.D.	1
36.	091607	M12x16mm SHOULDER SCREW	1
35.	091721	M8x12mm LOW HEAD CAP SCREW	3
34.	092024	M6x16mm SOCKET HEAD SCREW	8
33.	091891	M5x16mm SOCKET HEAD SCREW	3
32.	091768	M5x10mm BUTTON HEAD SCREW	3
31.	091888	M5x5mm SET SCREW	2
30.	091637	WASHER, BELLEVILLE, .264x.374"	8
29.	091636	WASHER, M10-WIDE	2
28.	092022	SPACER, .321 x.625"x.205"	1
27.	094409	SAFETY STICKER, 2" DIA	1
26.	091689	WASHER, BELLEVILLE (M5)	5
25.	091680	E-RING, 8mm	1
24.	090756	T-WRENCH, 2.5mm	1

23.	092779	KOMPAC LONG NECK SYRINGE	1
22.	092370	KOMPAC SEAL SET	1
21.	092756	1/2" VINYL TUBING	1
20.	092750	ASSY, BASE	1
19.	092740	BOTTLE VALVE ASSEMBLY	1
18.	091672	SPRING CLIP	1
17.	092749	UNIVERSAL BOTTLE BRACKET	1
16.	093166	BRACKET, BOTTLE	1
15.	094408	SAFETY STICKER, 2" x 3"	1
14.	093158	ECCENTRIC, ON/OFF	2
13.	093155	BUSHING, UNIT	2
12.	093157	BUSHING, ON/OFF, R.H.	1
11.	093156	BUSHING, ON/OFF, L.H.	1
10.	093161	STUB SHAFT, R.H.	1
9.	093159	STUB SHAFT, L.H.	1
8.	093176	COLLAR, SET SCREW, .359 I.D.	1
7.	093324	BLOCK, PIVOT	1
6.	093148	ARM, ON/OFF	1
5.	093323	EXTENSION ARM, ON/OFF	1
4.	093325	MOUNTING PLATE	2
3.	093154	BRACKET, UNIT, R.H.	1
2.	093153	BRACKET, UNIT, L.H.	1
1.	093276	ON/OFF SHAFT, .063	1

ITEM	PART #	DESCRIPTION	QTY.
------	--------	-------------	------

ITEM	PART #	DESCRIPTION	QTY.
------	--------	-------------	------

