

Date of Installation : \_\_\_\_\_

Unit Serial Number : \_\_\_\_\_

Kompac Dealer : \_\_\_\_\_

# Kompac®



A DIVISION OF DAY INTERNATIONAL, INC.



DAY INTERNATIONAL, INC.

Image Transfer Group



## M 125 TML

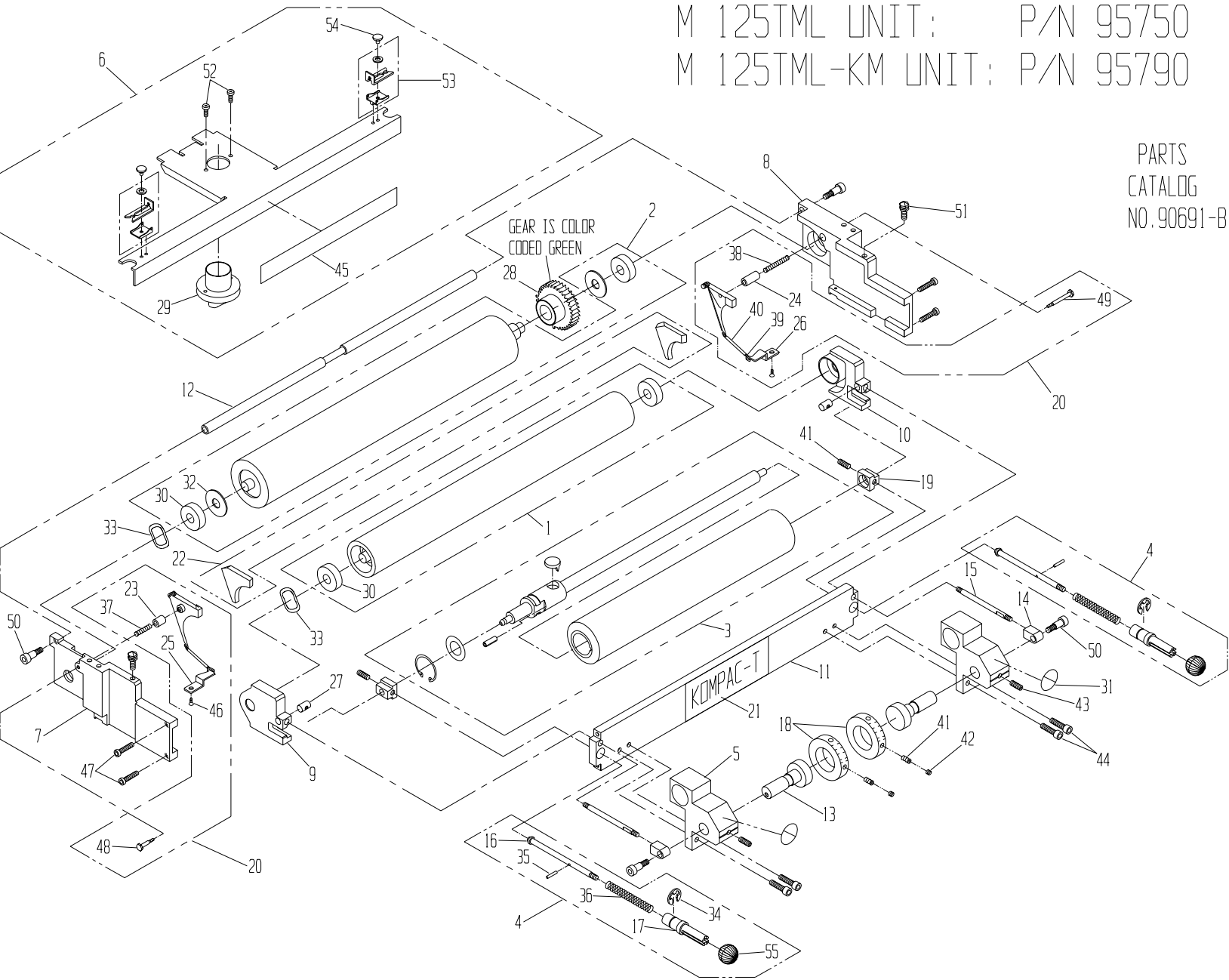
Parts Catalog # 090691

159 DWIGHT PLACE , FAIRFIELD , NEW JERSEY 07004  
TEL: 973-227-8611 / 800-541-5702  
FAX: 973-227-7532

M 125TML UNIT: P/N 95750

M 125TML-KM UNIT: P/N 95790

PARTS  
CATALOG  
NO.90691-B



\* PART IS INCLUDED IN OUTLINED SUBASSEMBLY

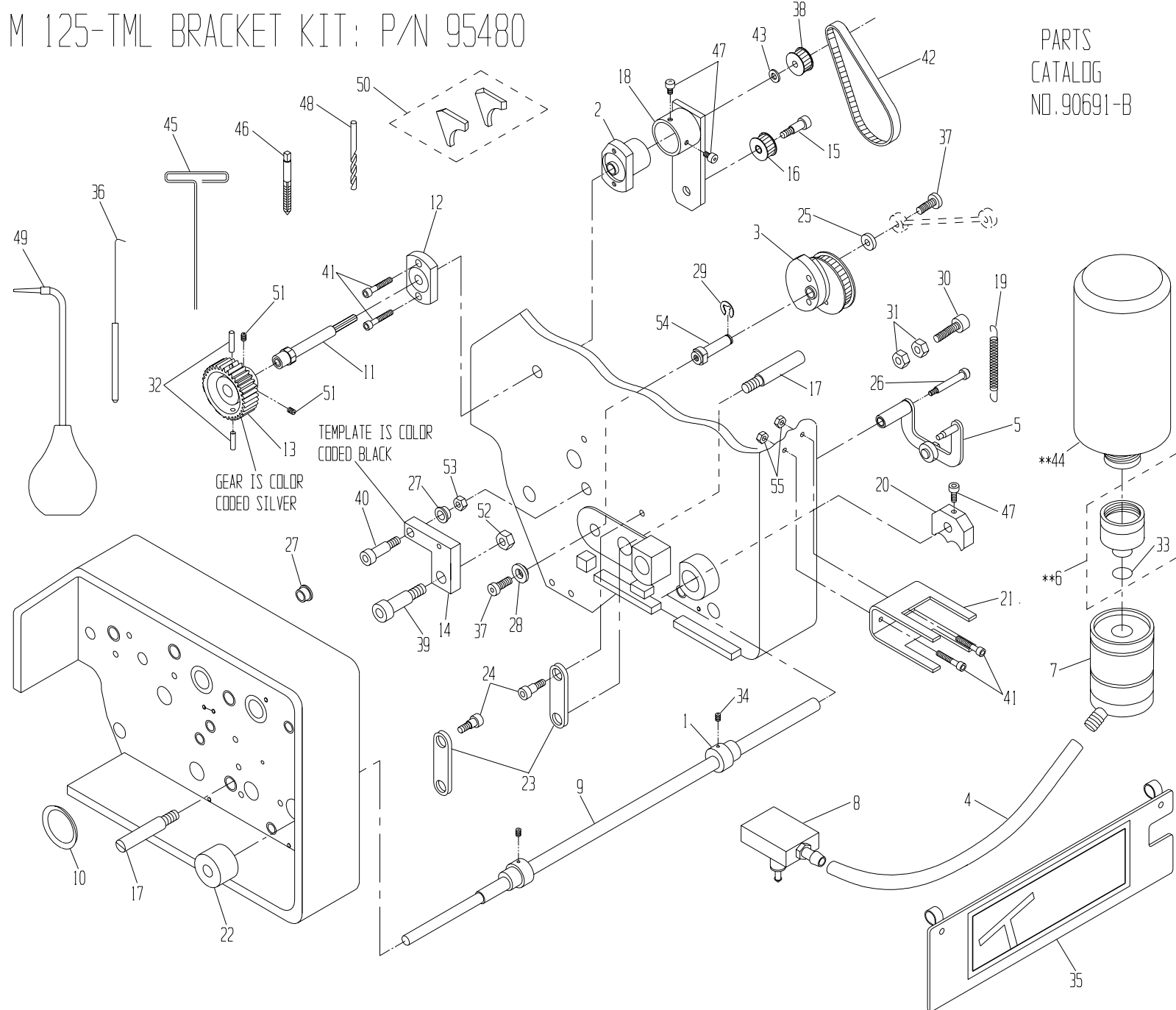
55.	92055	BALL KNOB	*
54.	92072	RIVET	*
53.	92058	LATCH (SPRING,SLIDE,WASHER)	*
52.	91806	6-32 x 3/8 SCREW	*
51.	92073	THREADED STUD	2
50.	91796	1/4 x 3/8 SHOULDER SCREW	4
49.	92296	R.H. SHOULDER BOLT	*
48.	92295	L.H. SHOULDER BOLT	*
47.	91836	8-32 x 3/4 SOC HEAD CAP SCREW	4
46.	91802	3-48 x 1/4 FLAT HEAD SCREW	2
45.	92494	WARNING DECAL	*
44.	91833	10-32 x 3/4 CAP SCREW	4
43.	91813	10-24 x 1/2 SET SCREW	2
42.	91810	10-24 x 1/8 SLOTTED SET SCREW	2
41.	91811	10-24 x 1/4 SET SCREW	4
40.	92259	SPRING COVER	*
39.	92236	TAB SPRING	*
38.	92238	R.H. COMPRESSION SPRING	*
37.	92299	L.H. COMPRESSION SPRING	*
ITEM	PART NO.	DESCRIPTION	QTY.

36.	95443	COMPRESSION SPRING	*
35.	91940	3/32 x 1/2 ROLL PIN	*
34.	91934	7/16 E-RING	*
33.	92491	WAVE WASHER	2
32.	92415	THRUST WASHER	*
31.	92601	INWARD NIP DECAL	2
30.	92401	BEARING	*
29.	92604	NOZZLE	*
28.	92910	M 1316 GEAR CLUTCH ASSY	1
27.	95467	ROD SWIVEL	2
26.	92298	R.H. TAB	*
25.	92297	L.H. TAB	*
24.	92294	R.H. GUIDE PIN	*
23.	92293	L.H. GUIDE PIN	*
22.	92370	SEAL SET	1
21.	91004	KOMPAC-T NAMEPLATE	1
20.	92670	COMPLETE BACKING PLATE ASSY	1
19.	91295	OSCILLATOR BLOCK	2
ITEM	PART NO.	DESCRIPTION	QTY.

18.	92222	METERING GAUGE	2
17.	95442	OSCILLATOR DETENT	*
16.	95441	OSCILLATOR LOCKING PIN	*
15.	95466	CALIBRATION ROD	2
14.	95465	ROD END	2
13.	95464	CALIBRATION ECCENTRIC	2
12.	95026	TIE BAR	1
11.	95433	END CAP	1
10.	95454	R.H. SLIDE BLOCK	1
9.	95455	L.H. SLIDE BLOCK	1
8.	95742	R.H. END FRAME	1
7.	95744	L.H. END FRAME	1
6.	95520	UNIT COVER ASSY	1
5.	95431	BEARING BLOCK	2
4.	95440	RETRACTABLE OSC. PLINGER ASSY	2
3.	91315	OSCILLATING ROLLER ASSY	1
2.	95500	FORM ROLLER W/BEARINGS	1
1.	95510	METERING ROLLER W/BEARINGS	1
ITEM	PART NO.	DESCRIPTION	QTY.

# M 125-TML BRACKET KIT: P/N 95480

PARTS CATALOG NO. 90691-B



\* PART IS INCLUDED IN OUTLINED SUBASSEMBLY  
 \*\* PART IS NOT INCLUDED WITH BRACKET KIT, P/N 95480

55.	91969	10-32 LOCK NUT	2
54.	95095	FIXED SHAFT	1
53.	91983	5/16-18 HEX NUT	1
52.	91975	3/8-16 HEX NUT	1
51.	91906	8-32x 1/4 SET SCREW	2
50.	92370	SEAL SET	1
49.	92779	ASSY, SYRINGE, LG. NECK	1
48.	93643	#7 DRILL	1
47.	91818	10-24 x 3/8 CAP SCREW	3
46.	93644	1/4-20 TAP	1
45.	90755	3/32 T-HANDLE HEX KEY	1
44.	92771	CALIBRATED BOTTLE	**
43.	95105	THRUST BEARING	1
42.	95132	TIMING BELT	1
41.	91846	10-32 x 7/8 CAP SCREW	4
40.	94397	3/8 x 3/4 SHOULDER SCREW	2
39.	91792	1/2x1 SHOULDER BOLT	1
38.	95103	PULLEY	1
ITEM	PART NO.	DESCRIPTION	QTY.

37.	95097	1/4-20 x 5/8 LOW HD CAP SCREW	2
36.	92787	HOOK	1
35.	95180	DAMPENER GUARD ASSY	1
34.	91813	#10-24 SET SCREW	2
33.	92765	VALVE BODY O-RING	*
32.	95108	PIN	2
31.	91972	1/4-20 LOCK NUT	2
30.	91865	1/4-20 x 1.1/4 CAP SCREW	1
29.	91995	3/8 E-RING	1
28.	95129	SECURING PLUG	1
27.	93816	FLANGE BEARING	2
26.	91793	1/4 x 1.1/2 SHOULDER SCREW	1
24.	91717	5/16 x 3/8 SHOULDER SCREW	2
23.	95731	UNIT SUPPORT	2
22.	95738	BUSHING, DP-SIDE	1
21.	92749	UNIVERSAL BOTTLE BRACKET	1
20.	95469	BEARING DETENT	1
ITEM	PART NO.	DESCRIPTION	QTY.

19.	95781	EXTENSION SPRING	1
18.	98780	TENSION ARM ASSY	1
17.	95732	THUMB SHOULDER SCREW	2
16.	95350	TENSION PULLEY ASSY	1
15.	91797	1/4 x 5/8 SHOULDER SCREW	1
14.	95478	MULTI DRILL TEMPLATE	1
13.	95252	MULTI INK DRIVE GEAR	1
12.	95530	INSIDE INK BUSHING ASSY	1
11.	95550	INK DRIVE SHAFT ASSY	1
10.	94409	PLUG, CAP	1
9.	95741	CONTROL SHAFT	1
8.	92750	ADAPTER BASE ASSY	1
7.	92740	BOTTLE VALVE ASSY	1
6.	92760	DISPENSING VALVE ASSY	**
5.	95780	BEARING LEVER ASSY	1
4.	92756	1/2" VINYL TUBING	1
3.	95090	LARGE PULLEY ASSY	1
2.	95580	OUTSIDE INK BUSHING ASSY	1
1.	95735	ECCENTRIC	2
ITEM	PART NO.	DESCRIPTION	QTY.