

RS-34 / RS-34L

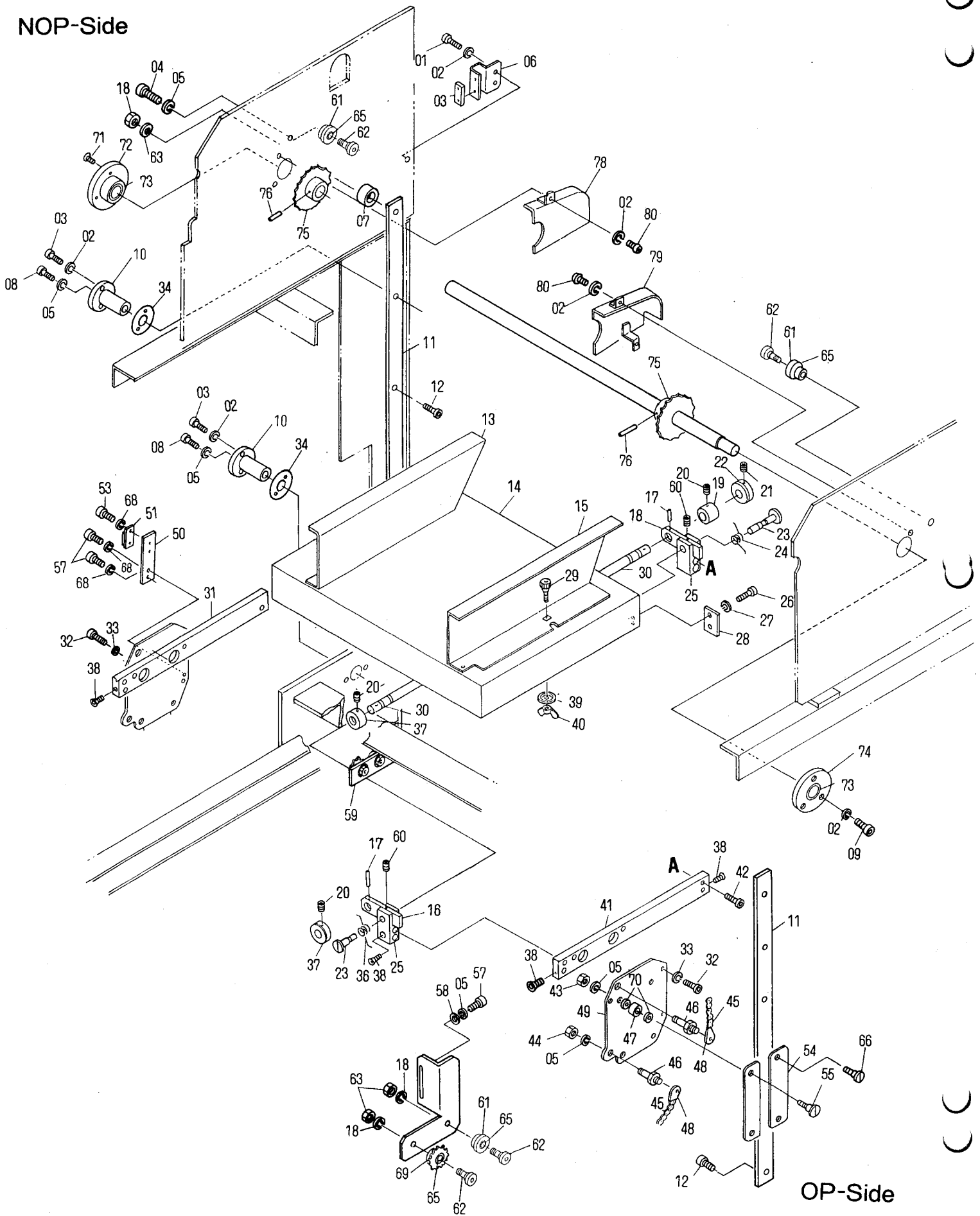
VS-34 / VS34L

Parts Catalog

1st revision

W1001

NOP-Side



OP-Side

RS34	RS34L	VS34	VS34L
○	○	W1069	W1069

**Feed Section
Paper Table and Elevator**

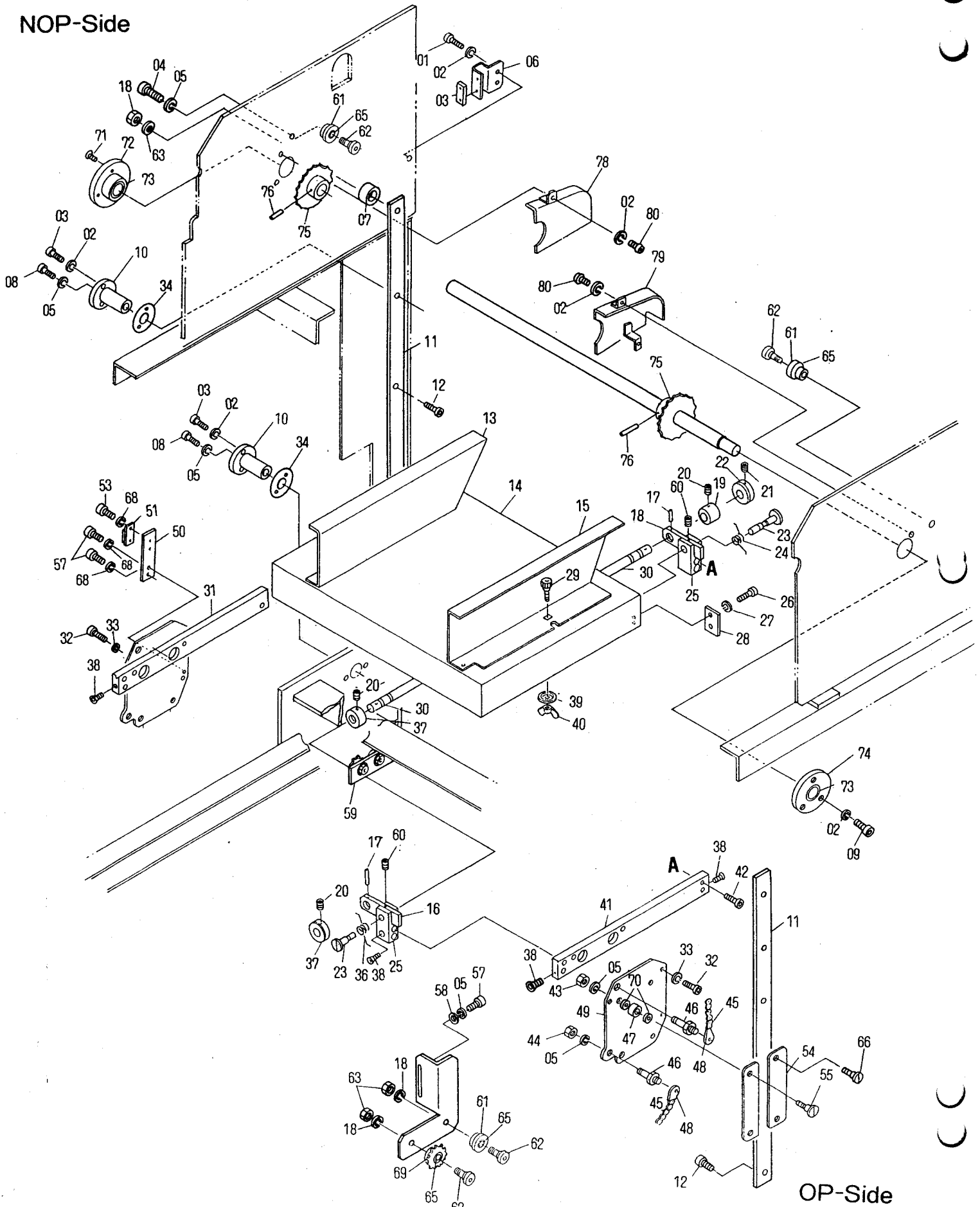
W1001

A

INDEX No.	Parts No.	Description	Remarks	Units Per Assy
01	117-515	Screw		2
02	180-105	Lock Washer		13
03	E10-12-3	Lead Switch	RS34L	1
04	117-470	Screw		2
05	180-108	Lock Washer		22
06	6801-08073	Magnet Bracket	RS34L	1
07	6801-08029	Spacer		2
08	117-489	Screw		4
09	117-512	Screw		11
10	6801-08074	Spacer		4
11	6901-08013	Guide Rail		2
12	117-358	Screw		2
13	6901-08009	Paper Table Bracket	NOP-S	2
14	6801-08001	Paper Table Support Frame		2
15	6901-08010	Paper Table Bracket	OP-S	2
16	6801-08025	Link		4
17	183-243	Roll Pin		4
18	170-112	Nut		8
19	6801-08126	Collar		2
20	145-405	Set Screw		6
21	145-406	Set Screw		2
22	6801-08127	Collar		2
23	6801-08033	Pin		4
24	6801-08031	Spring		2
25	6801-08020	Block		4
26	117-408	Screw		8
27	180-104	Lock Washer		8
28	6801-08028	Plate		4
29	H12-15-3	Screw		4
30	6801-08128	Shaft		2
31	6801-08114	Spreader	NOP-S	1
32	117-362	Screw		3
33	180-106	Lock Washer		4
34	6801-08075	Shim		—
35	6801-08113	Bracket	NOP-S	1
36	6801-08030	Spring		2
37	6801-08129	Collar		4
38	122-108	Screw		4
39	H12-16-3	Washer		4
40	163-105	Wing Nut		4
41	6801-08003	Spreader		1
42	117-518	Screw		8
43	170-106	Nut		8
44	170-108	Nut		4
45	6901-08015	Chain		2
46	6801-08032	Chain Lock Stud		4
47	250-108.6	Bearing		8
48	H09-27-3	Elevator Chain Connecting Eyelet		4
49	6801-08002	Plate		1
50	6801-08072	Bracket	RS34L	1
51	E10-14-3	Magnet	RS34L	1
52	180-103	Lock Washer		2
53	117-312	Screw		2
54	6801-08024	Plate		4
55	6801-08034	Bearing Pin		8
56	6901-08016	Bracket		1
57	117-462	Screw		4
58	184-108	Flat Washer		4
59	6901-08022	Bracket		1
60	145-404	Set Screw		4
61	6801-08050A	Block		4
62	6801-08056	Pin		6
63	180-112	Lock Washer		12
64	6801-08075	Shim		—
65	PC03-48	Bushing	Included in 61	6
66	6801-08130	Bearing Pin		4
67	117-310	Screw		2
68	180-103	Lock Washer		4
69	6801-08116A	Sprocket		2
70	H15-27-3	Spacer		16

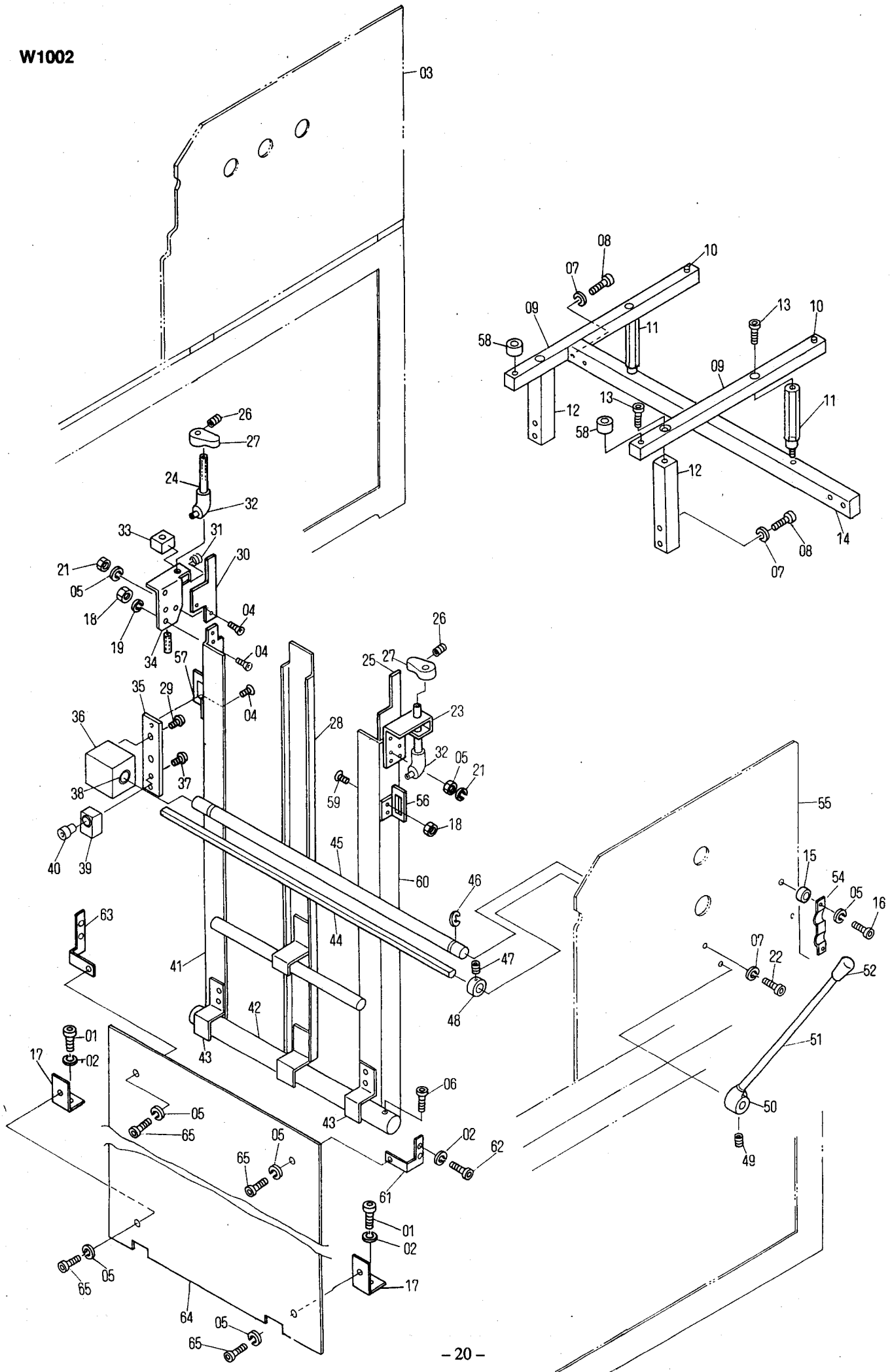
W1001

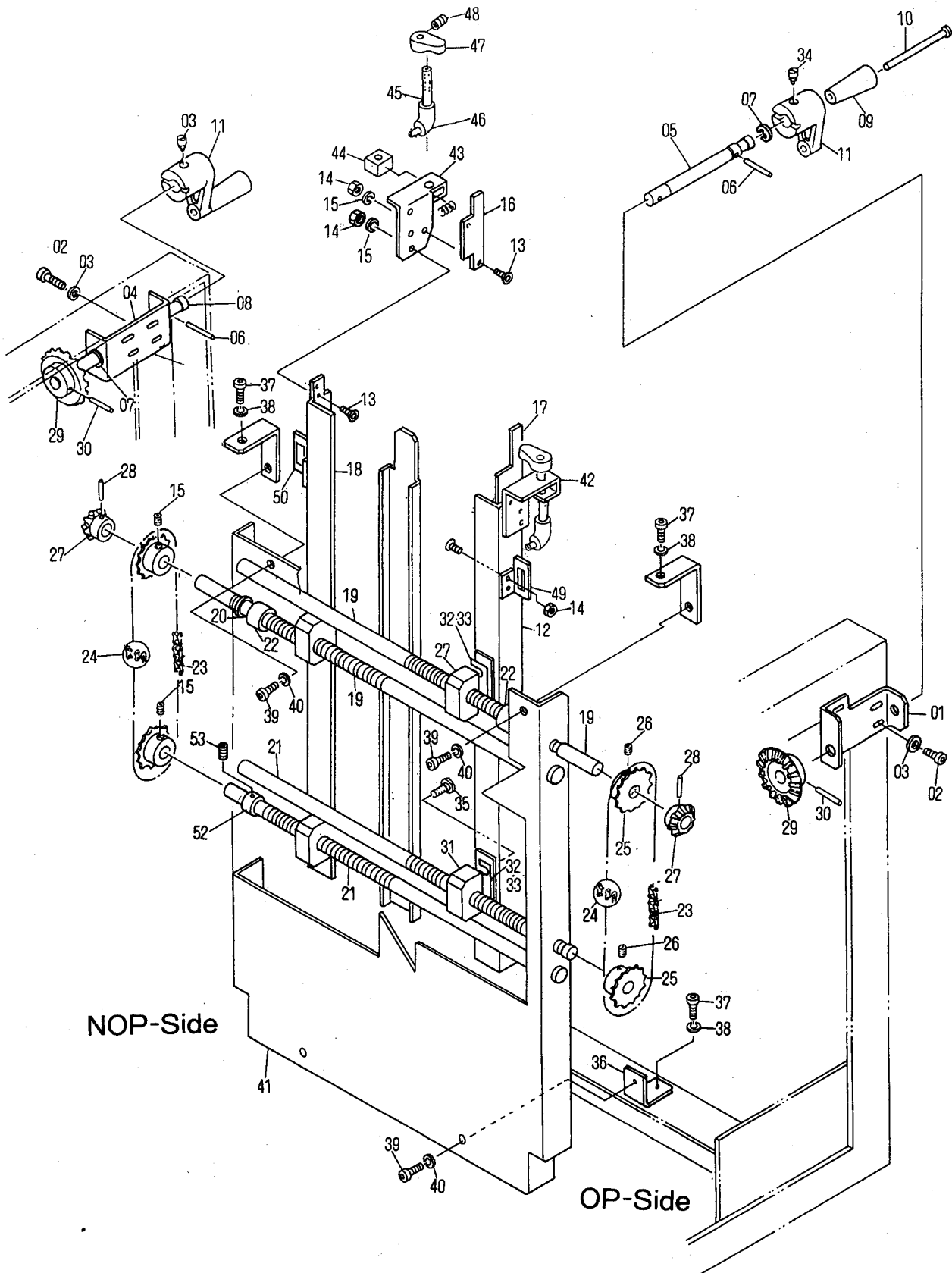
NOP-Side



OP-Side

W1002





RS34	RS34L	VS34	VS34L
○	○	W1070	W1070

Feed Section Paper Magazine Shifter

W1003

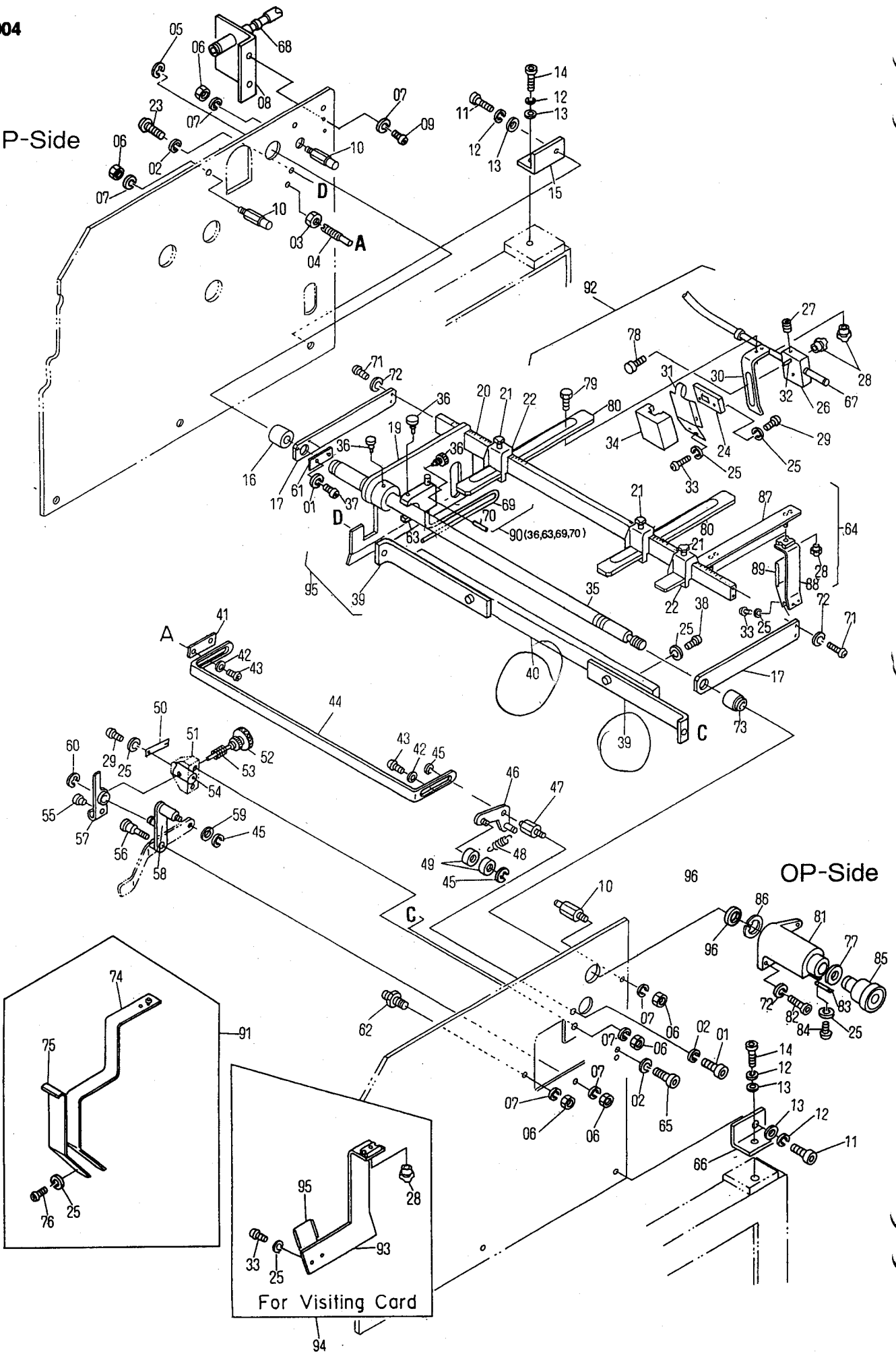
A

INDEX No.	Parts No.	Description	Remarks	Units Per Assy
01	6901-08029	Bracket	OP-S	1
02	117-362	Screw		7
03	184-106	Flat Washer		7
04	6901-08030	Bracket	NOP-S	1
05	6901-08031	Shaft		1
06	183-209	Roll Pin		2
07	181-410	E-Ring		3
08	6901-08032	Shaft		1
09	6901-08033	Handle	Included in 11	2
10	CK06-13	Shaft	Included in 11	2
11	6901-08040A	Crank Handle Assy		2
12	6901-08045	Paper Magazine Guide	OP-S	1
13	122-115.01	Screw		8
14	170-105.01	Nut		12
15	180-105.01	Lock Washer		8
16	6801-08013	Guide Bracket	NOP-S	1
17	6801-08012	Guide Bracket	OP-S	1
18	6901-08046	Paper Magazine Guide	NOP-S	1
19	6901-08036	Shaft		2
20	181-410	E-Ring		4
21	6901-08037	Shaft		2
22	6901-08038	Spacer		2
23	6901-08039	Chain		2
24	280-000.21	Chain Connecting Link	Included in 23	2
25	CK06-09	Sprocket		4
26	145-358	Set Screw		4
27	CK06-10	Bevel Gear		2
28	183-186	Roll Pin		2
29	CK06-11	Bevel Gear		2
30	183-189	Roll Pin		2
31	CK06-18	Bracket		4
32	CK06-31	Shim		—
33	CK06-32	Shim		—
34	H09-02-3	Pilot Screw		2
35	KC06-19	Shoulder Screw		8
36	6905-01007	Bracket		2
37	117-365	Screw		2
38	180-106	Lock Washer		5
39	117-510	Screw		5
40	180-105	Lock Washer		5
41	6905-01013	Bracket		1
42	6801-08018A	Bracket	OP-S	1
43	6801-08019A	Bracket	NOP-S	1
44	6801-08095	Block		2
45	6801-08122	Blower Nozzle		2
46	6801-08124	Hose Joint		2
47	CK06-29	Blower Nozzle Knob		2
48	145-505	Set Screw		4
49	6801-08121	Guide	OP-S	1
50	6801-08125	Guide	NOP-S	1
51	122-112.01	Screw		4
52	6901-08049	Collar		2
53	145-506	Set Screw		1

W1004

NOP-Side

OP-Side



RS34	RS34L	VS34	VS34L
○	○	W1071	W1071

**Feed Section
Side and Back Guide**

W1004

A

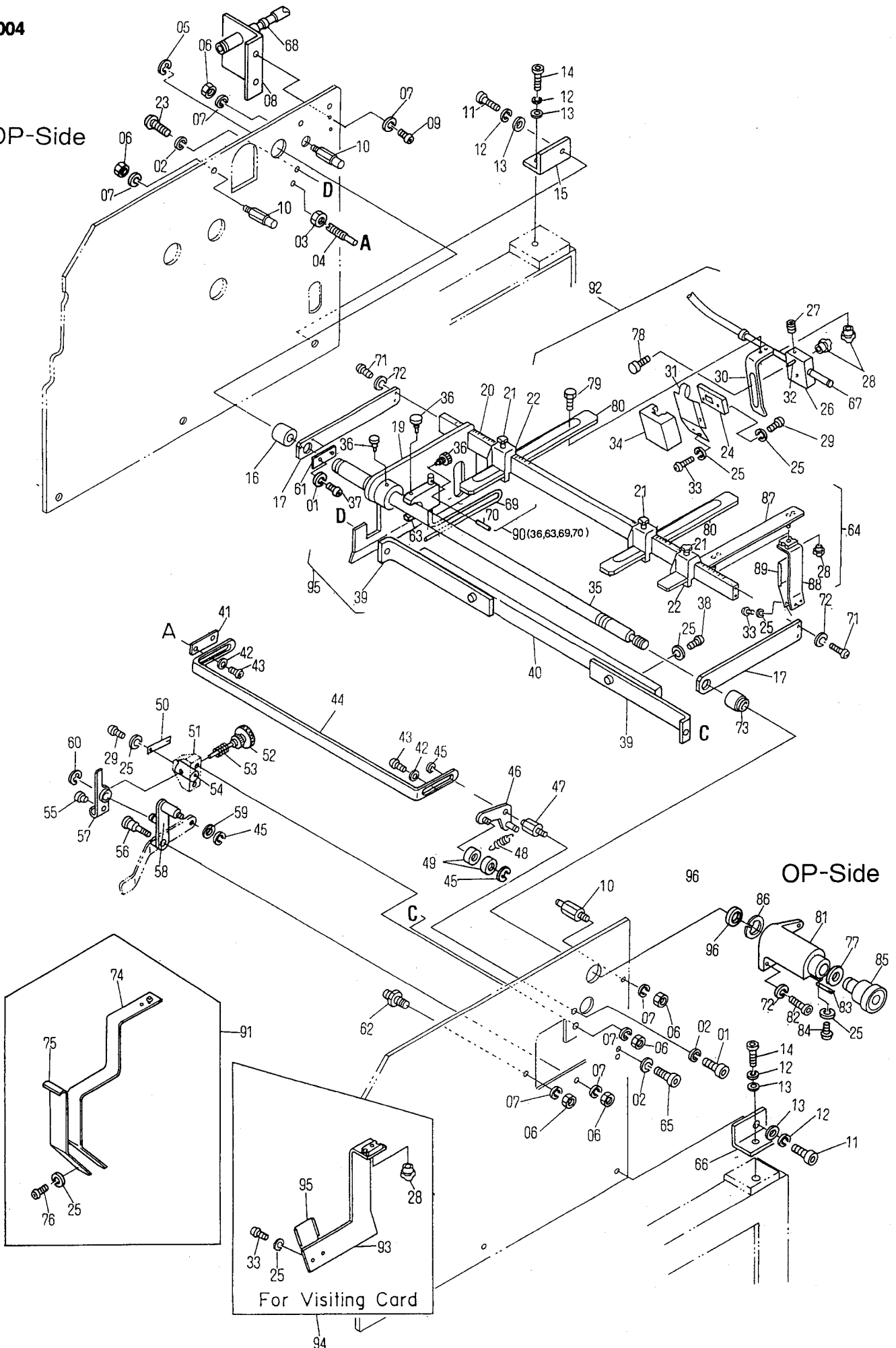
INDEX No.	Parts No.	Description	Remarks	Units Per Assy
01	180-103	Lock Washer		2
02	180-105	Lock Washer		8
03	170-108	Nut		1
04	CK05-11	Shoulder Screw		1
05	181-412	E-Ring		1
06	170-106	Nut		6
07	180-106	Lock Washer		6
08	6901-12017	Bracket		1
09	125-760	Screw		2
10	6901-06005	Pin		3
11	117-475	Screw		3
12	180-108	Lock Washer		7
13	184-108	Flat Washer		7
14	117-470	Screw		4
15	5105-1006	Angle	NOP-S	2
16	6901-06006	Collar		1
17	6901-06020	Feeder Pile Guide Support Arm		2
18	125-715	Screw		4
19	6801-06028	Feeder Pile Guide	NOP-S	1
20	6901-06003	Guide Support Cross Bar		1
21	KC05-33	Thumb Screw		1
22	EH11-12	Mounting Bracket		2
23	125-712	Screw		2
24	6901-06018	Plate		1
25	180-104	Lock Washer		18
26	CK05-14	Block		1
27	145-510	Set Screw		1
28	KC05-34	Back Guide Knob		5
29	125-656	Screw		5
30	CK05-16A	Tail Guide		1
31	CK05-36	Plate Spring		2
32	183-243	Roll Pin		1
33	125-655	Screw		8
34	6901-06025	Weight		2
35	6901-06021	Feeder Pile Guide Slide Shaft		1
36	6901-06015A	Thumb Screw		5
37	125-606	Screw		2
38	125-675	Screw		2
39	6901-06013	Bracket		2
40	E11-02-04-6	Anti-Static Bar		1
41	CK05-29	Height Control Bar Connecting Link		1
42	184-105	Flat Washer		2
43	125-708	Screw		2
44	6801-06007	Height Control Bar		1
45	181-404	E-Ring		3
46	6801-06020A	Height Control Lever Assy		1
47	6801-06019	Pilot Stud		1
48	H06-16-02-3	Spring		1
49	6801-06022	Bearing		2
50	CK05-30	Flat Spring		1
51	H06-32-3	Adjusting Knob Guide Block		1
52	CK05-32A	Adjusting Knob for Height Control		1
53	H06-31-3	Spring		1
54	CK05-31	Adjusting Knob Guide Block Swivel Pin		1
55	H06-28-3	Height Control Adjusting Swivel Pin		1
56	H06-17-3	Shoulder Screw		1
57	H06-26-1C-3	Height Control Intermediate Lever		1
58	CK05-22A	Height Control Prive Lever Assy		1
59	184-104	Flat Washer		1
60	181-406	E-Ring		1
61	6501-11005	Plate		1
62	6801-06017	Spring Pin		1
63	5801-06026	Block		2
64	CK05-18A	Guide Assy (25, 28, 33, 87 - 89)		1
65	117-515	Screw		2
66	5105-01005	Angle		2
67	6901-12005	Blower Nozzle	OP-S CK05-17A	1
68	5103-09104	Hose Joint		1
69	6801-06014	Guide		2
70	183-139.01	Roll Pin		2

Handwritten: ANY - Available w/out the A
Handwritten: OP-S CK05-17A
Handwritten: WORKS O.K.

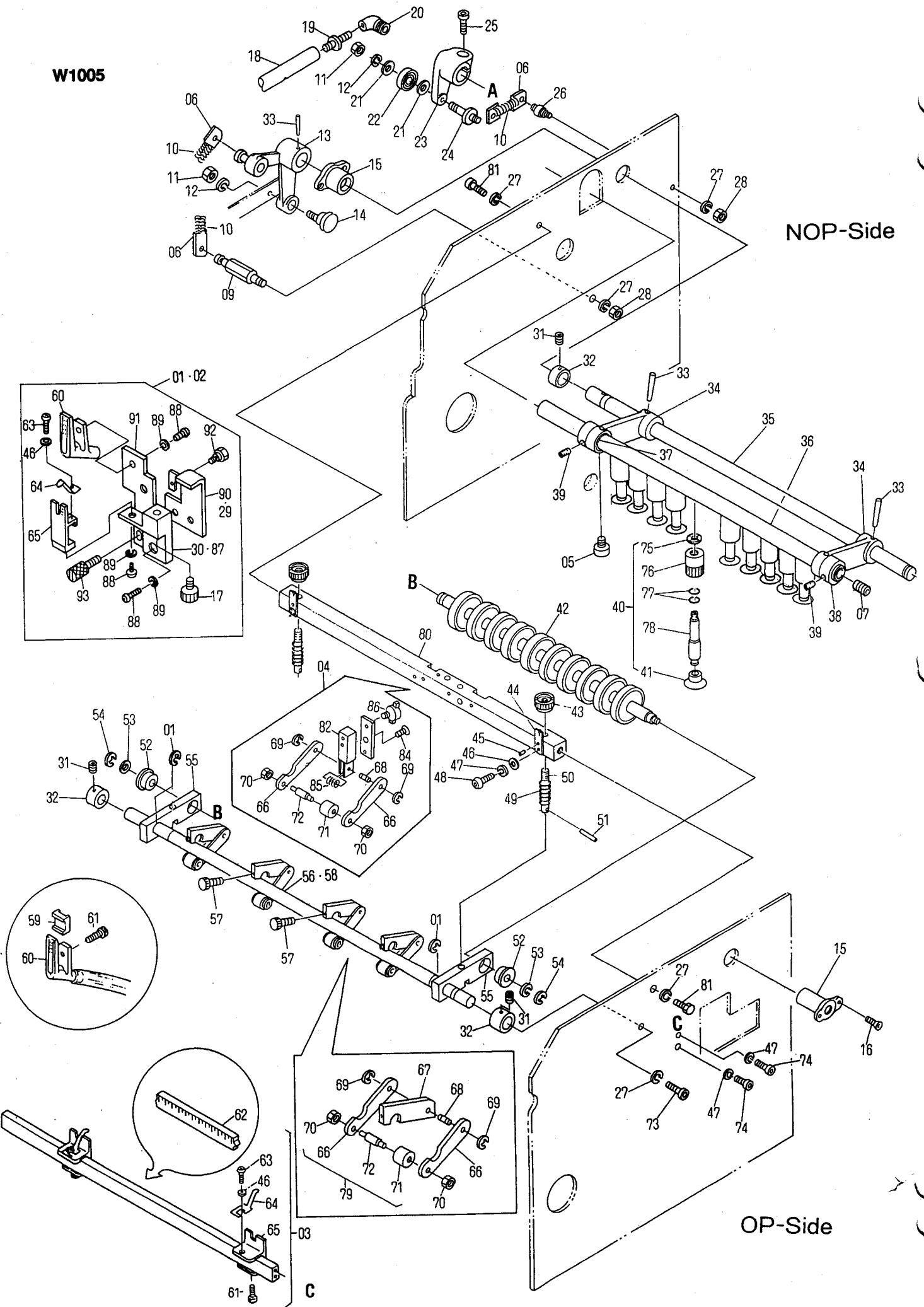
W1004

NOP-Side

OP-Side



W1005



NOP-Side

OP-Side

RS34	RS34L	VS34	VS34L
○	○	W1072	W1072

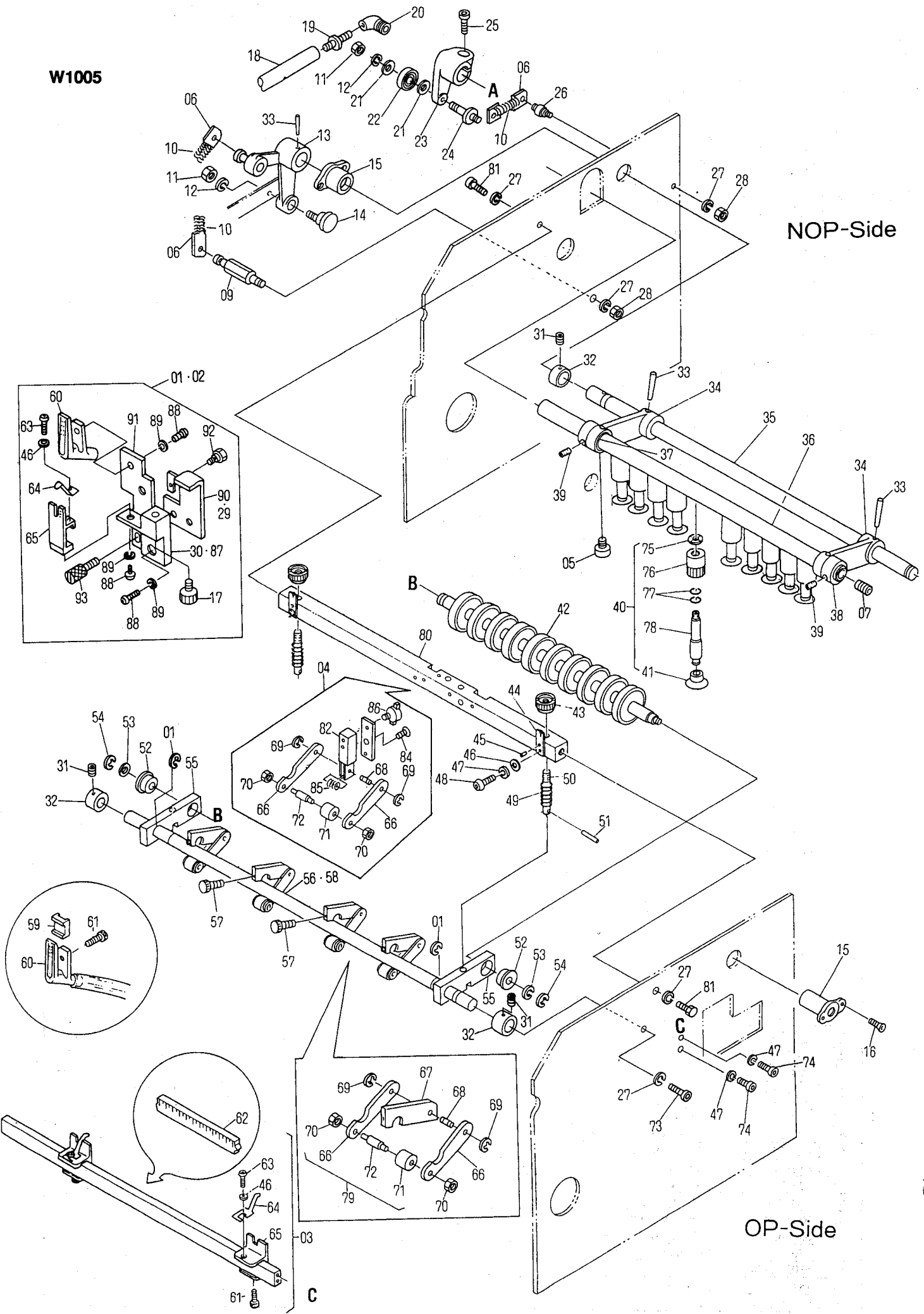
**Feed Section
Suction Foot and Pullout Roller**

W1005

A

INDEX No.	Parts No.	Description	Remarks	Units Per Assy
01	6901-05043B	Front Blower Assy (17, 29, 30, 46, 60, 63 ~ 65, 88, 89, 91 ~ 93)	NOP-S Option	1
02	6901-05043A	Front Blower Assy (17, 46, 60, 63 ~ 65, 87 ~ 93)	OP-S Option	1
03	6901-05046A	Sheet Separator Assy (46, 61, 63 ~ 65)		4
04	6901-02030B	Guide Roller Assy		2
05	6801-05076	Plug		2
06	CM11-47	Spring Hook		4
07	145-556	Set Screw		1
08	6901-05049	Pin Included in 13		1
09	6801-05017	Stud Bolt		1
10	CM11-02	Spring		2
11	170-106	Nut		2
12	180-106	Lock Washer		2
13	6801-05003	Lever		1
14	CK08-09	Eccentric Pin		1
15	6801-05018	Bushing Bracket		2
16	122-110	Screw		4
17	H11-34-3	Thumb Screw		2
18	CK02-45	Hose		1
19	5801-05042	Hose Joint		1
20	5801-05041	Elbow		1
21	184-106.3	Flat Washer		1
22	250-126.6	Bearing		1
23	CK02-30	Suction Foot Operating Arm		1
24	6801-05016	Stud Bolt		1
25	117-468	Screw		1
26	6801-05031	Spring Pin		1
27	180-108	Lock Washer		6
28	170-108	Nut		2
29	6901-05042	Bracket	NOP-S	1
30	6901-05040	Block	NOP-S	1
31	145-505	Set Screw		3
32	M05-37-3	Collar		3
33	182-169	Taper Pin		3
34	6801-05064A	Pilot Shaft Bracket		2
35	6801-05002	Suction Pilot Shaft		1
36	6801-05075	Suction Pilot Shaft		1
37	6801-05063	Bushing Included in 34		2
38	CK02-37	Collar		2
39	145-356	Set Screw		2
40	CK02-12A	Suction Pilot Assy		10
41	CK02-77	Sucker		10
42	6901-02023	Upper Pullout Roller		1
43	6801-02023	Knob		2
44	CK02-66	Flat Spring		2
45	183-178	Roll Pin		2
46	184-104	Flat Washer		6
47	180-104	Lock Washer		6
48	125-656	Screw		2
49	6801-02019	Spring		2
50	6801-02017	Pin		2
51	183-182	Roll Pin		2
52	5102-14029	Bearing		2
53	184-108	Flat Washer		2
54	181-406	E-Ring		2
55	6801-02016	Am		2
56	6801-02004	Spreader	New Type	1
57	CP18-64	Thumb Screw		4
58	6901-02025	Spreader	Old Type	1
59	H11-29-3	Bracket		2
60	H11-27-1C-3	Front Blower Nozzle		2
61	H11-34-3	Thumb Screw		6
62	6801-05032	Spreader		1
63	125-655	Screw		4
64	H11-25-3	Flat Spring separator		4
65	6901-05046	Sheet Separator Bracket		4
66	6801-02021	Guide Roller Plate		12
67	6801-02020	Guide Roller Arm		4
68	5101-02030	Pin		6
69	181-404	E-Ring		12
70	C-216A-01	Nut		12

W1005

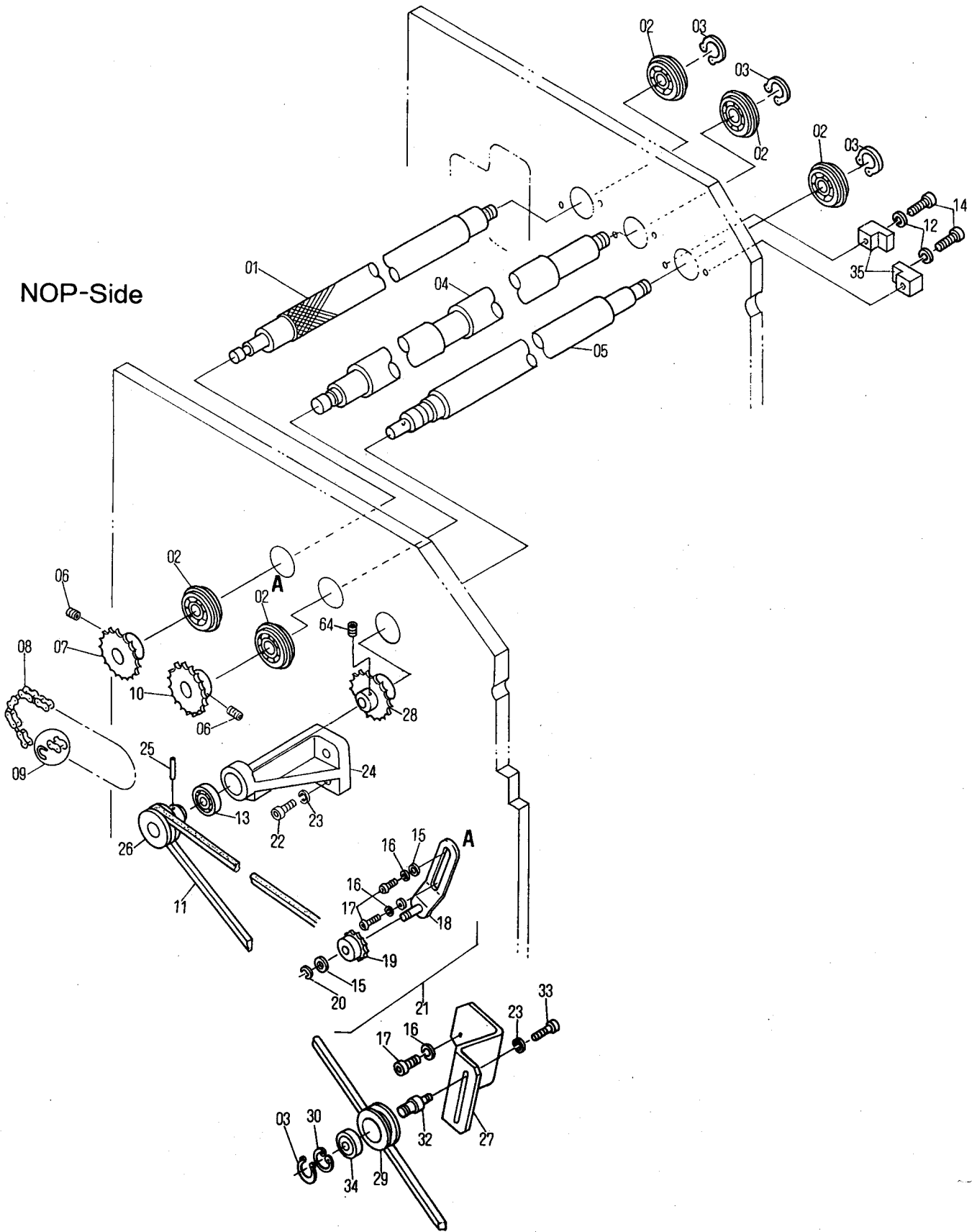


NOP-Side

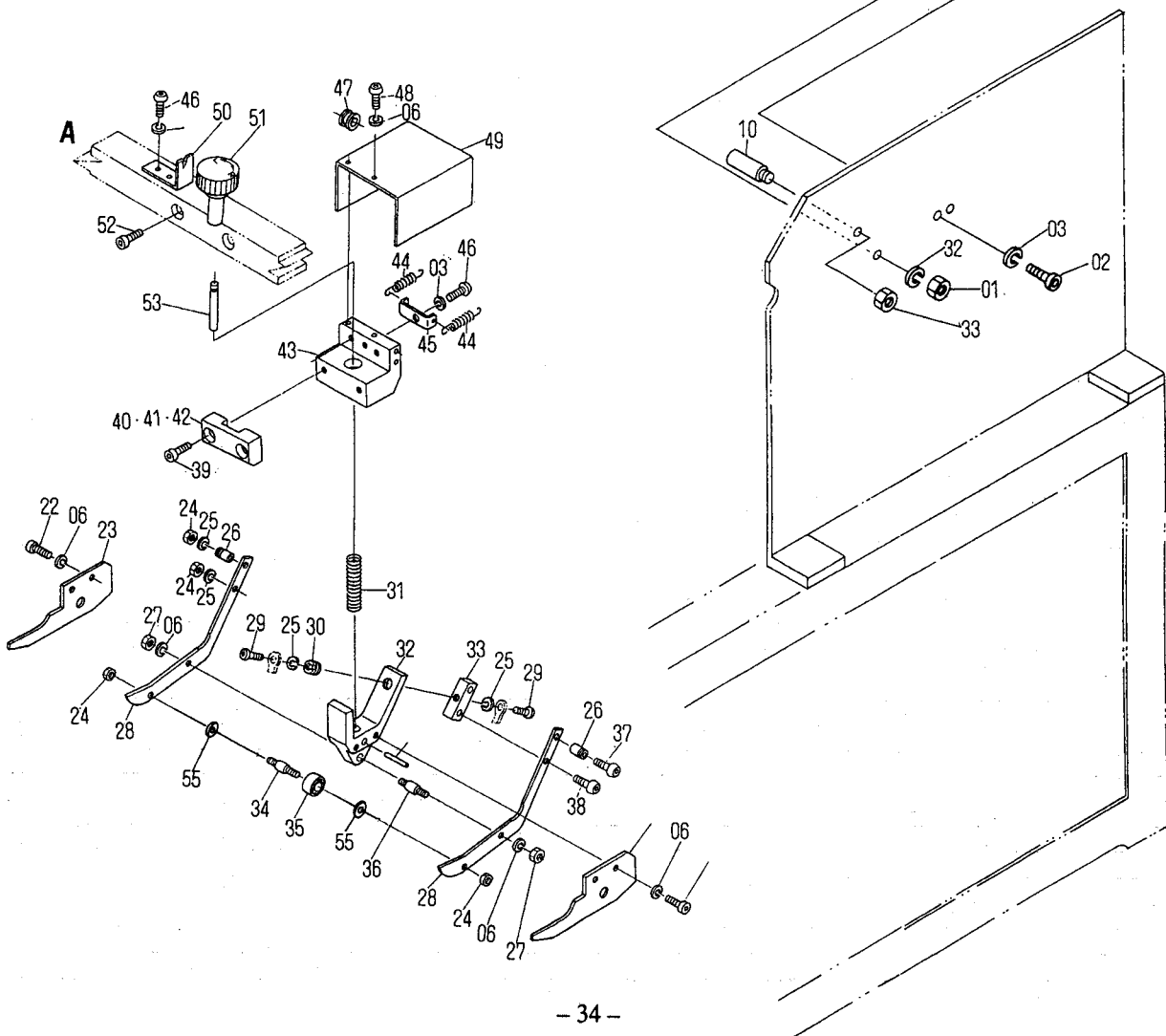
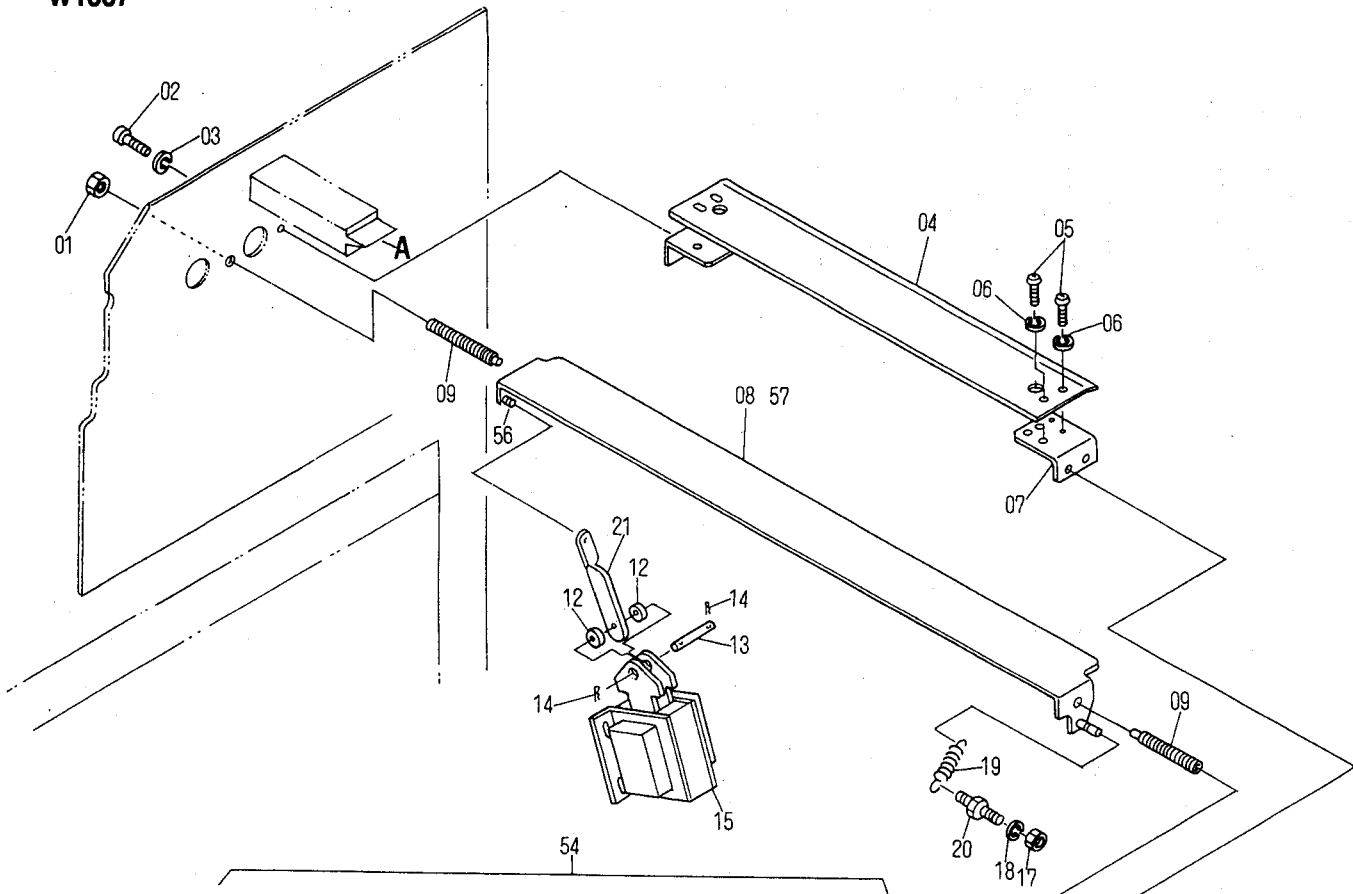
OP-Side

OP-Side

NOP-Side



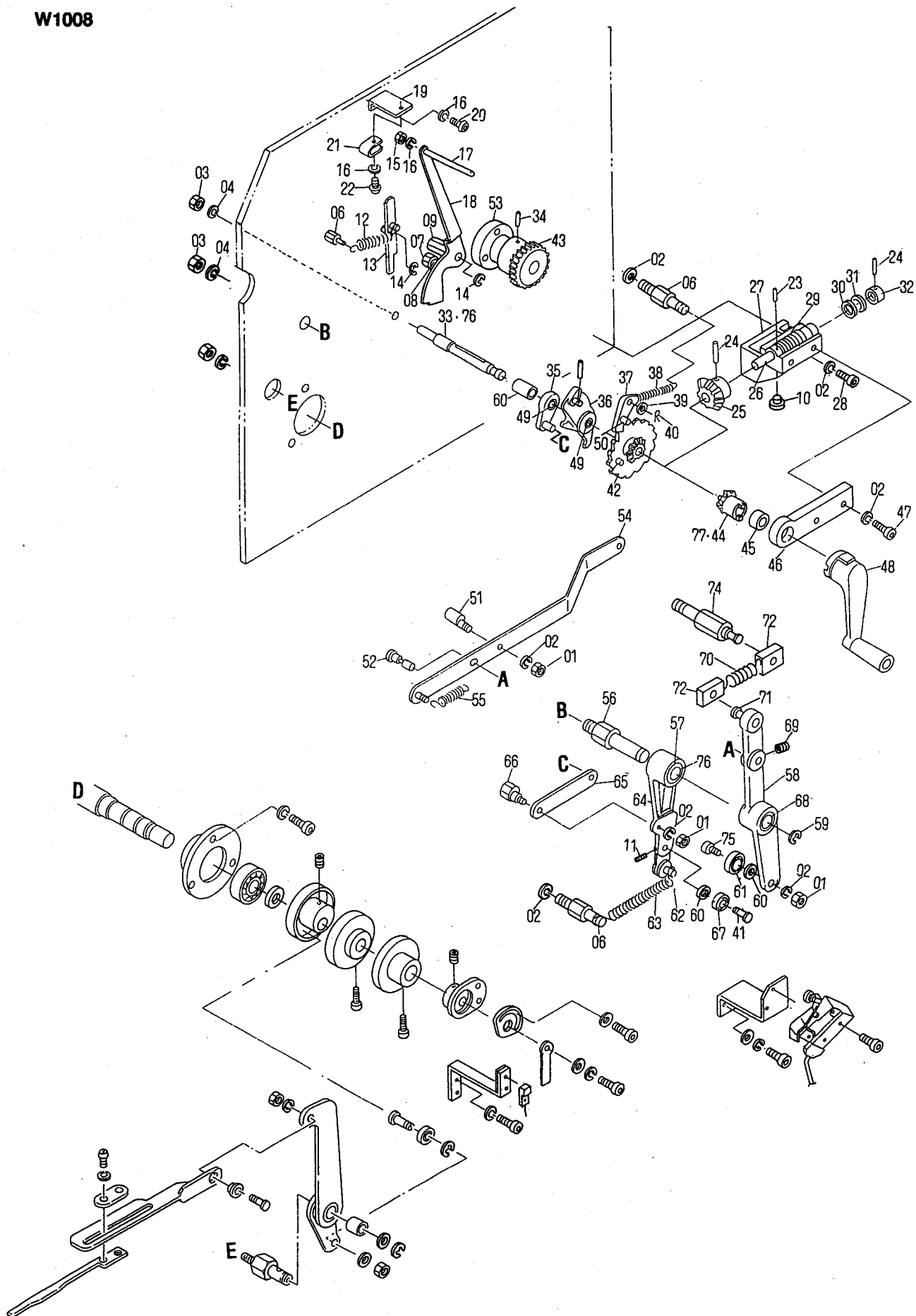
W1007



33

33

153



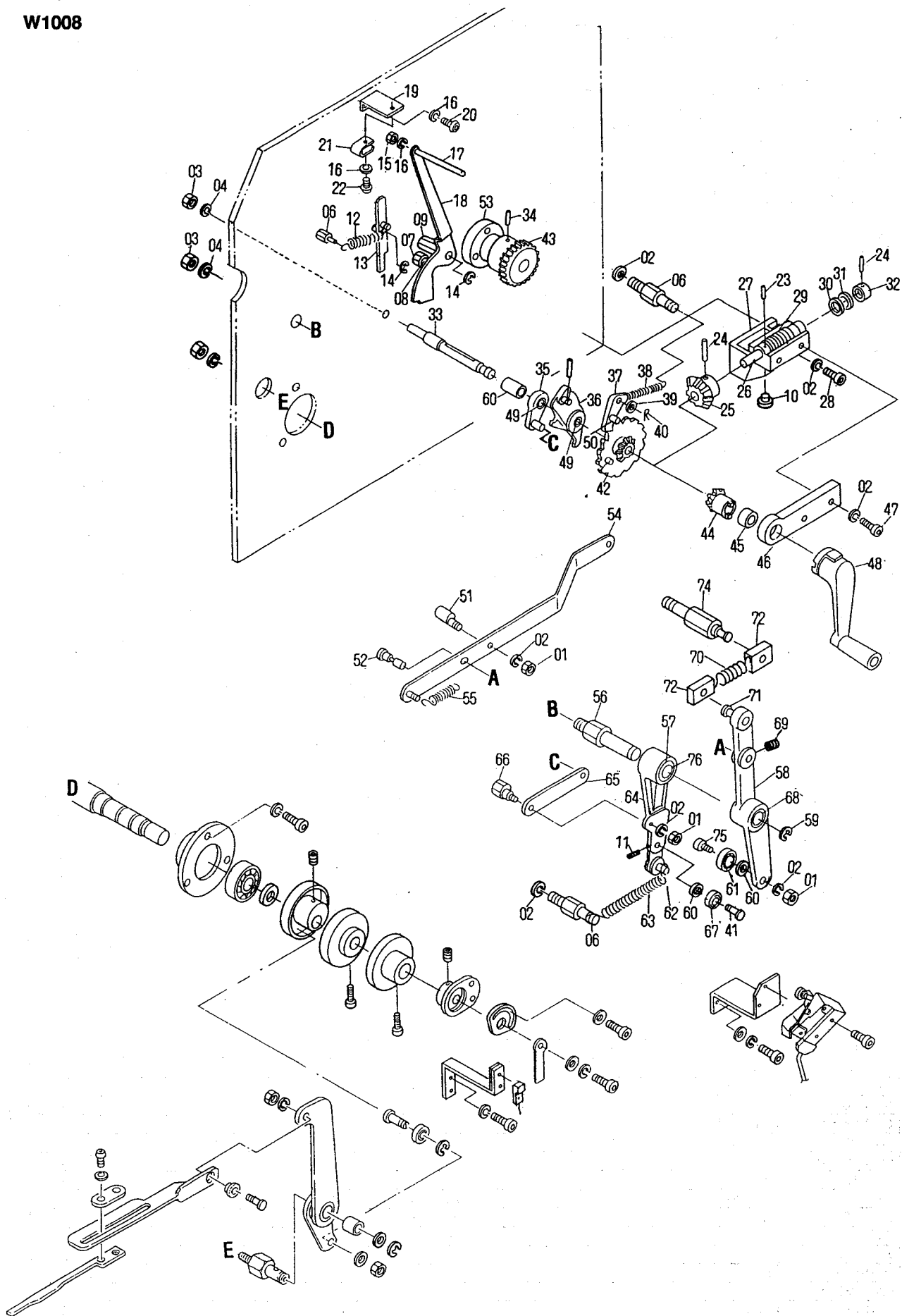
RS34	RS34L	VS34	VS34L
○	○	W1076	W1076

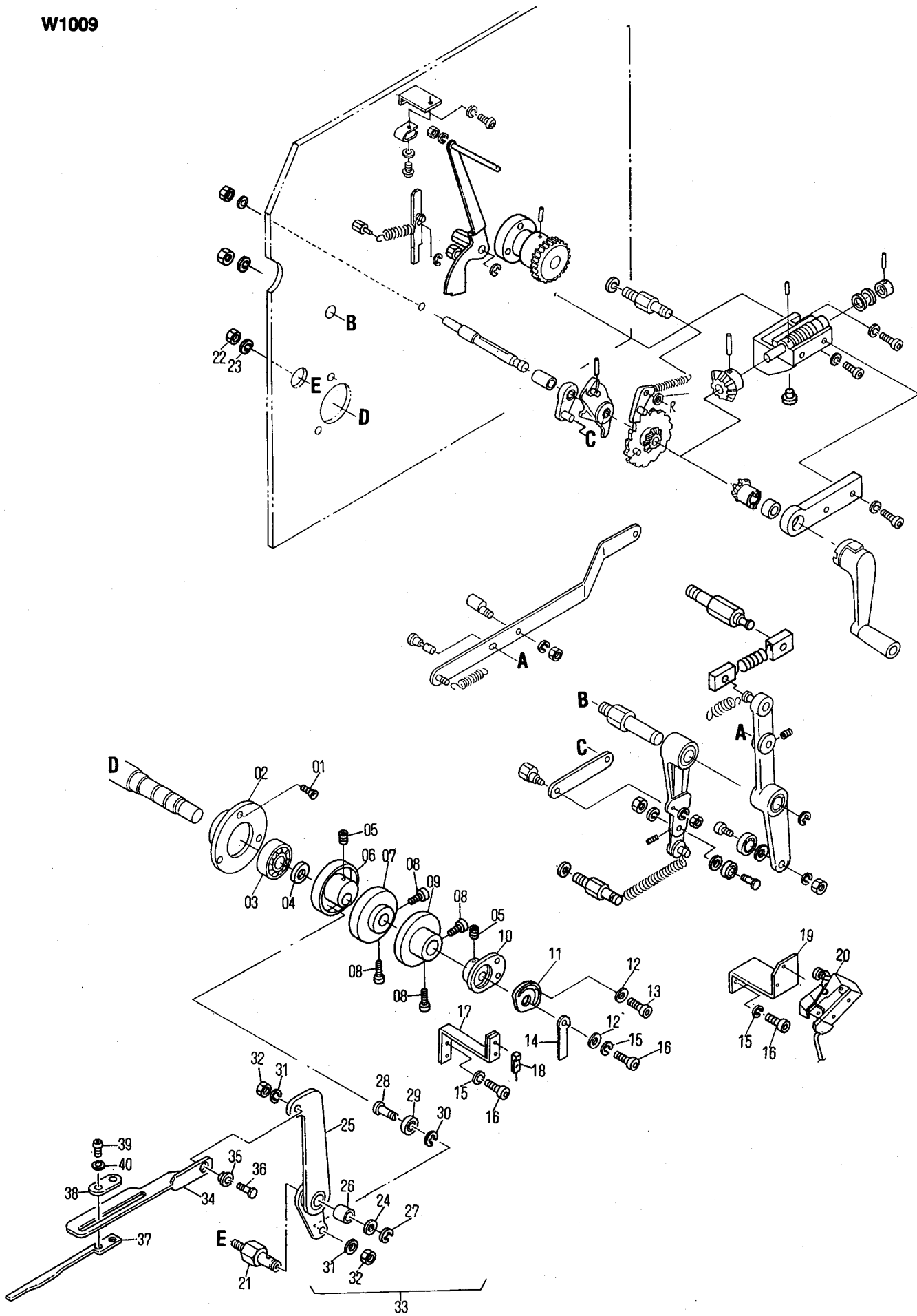
**Feed Section
Paper Elevator Mechanism**

W1008

A

INDEX No.	Parts No.	Description	Remarks	Units Per Assy
01	170-106	Nut		6
02	180-106	Lock Washer		14
03	170-112	Nut		2
04	180-112	Lock Washer		2
05	6801-08058	Pin		1
06	6801-08060	Spring Pin		3
07	6801-08057	Pin		1
08	H08-33-3	Bumper		1
09	6801-08059	Pin		1
10	CK04-37	Cap		1
11	141-406	Set Screw		1
12	H08-28-3	Spring		1
13	CK04-20A	Detent Pawl		1
14	181-404	E-Ring		2
15	170-105	Nut		1
16	180-105	Lock Washer		4
17	A02-31-01-3	Handle		1
18	6801-08082A	Release Lever		1
19	5101-08052	Bracket		1
20	117-510	Screw		2
21	CK04-34	Flat Spring		1
22	117-508	Screw		1
23	183-203	Roll Pin		1
24	183-207	Roll Pin		2
25	CK04-07	Bevel Gear		1
26	6801-08068	Shaft		1
27	6801-08047	Bracket		1
28	117-370	Screw		3
29	6801-08104	Worm Gear		1
30	258-351.1	Bearing		1
31	258-351	Bearing		1
32	CK04-10	Collar		1
33	6901-08005	Stud Pin		1
34	182-171	Taper Pin		1
35	6801-08067B	Drive Link Guide Arm		1
36	6801-08045A	Drive Lever		1
37	H08-18-3	Dive Pawl		1
38	6801-08115	Spring		1
39	6901-08011	Spacer		1
40	183-745	Catter Pin		1
41	6901-08020	Pin	Included in 64	1
42	6801-08087A	Combination Gear		1
43	6801-08105	Worm Wheel		1
44	6901-08006	Bevel Gear		1
45	243-645	Bushing	Included in 46	1
46	6801-08053A	Bracket		1
47	117-365	Screw		2
48	6904-05012A	Crank Handle		1
49	6801-08117	Bushing	Included in 35, 36	1
50	183-225	Roll Pin		1
51	6801-06008	Eccentric Pin		1
52	6801-06016	Pin		1
53	6801-08065	Collar		1
54	6801-06004A	Height Control Drive Lever		1
55	6801-06024	Spring		1
56	6801-08061	Stud Pin		1
57	5201-05073	Bushing	Included in 64	1
58	6801-06003B	Lever		1
59	181-412	E-Ring		1
60	184-106.3	Flat Washer	Included in 58	1
61	250-108.6	Bearing	Included in 58	1
62	R11-94-3	Pin	Included in 64	1
63	KC04-25	Spring		1
64	6901-08021A	Lever		1
65	6901-08019	Link		1
66	6801-08099	Eccentric Pin		1
67	258-611.3	Bearing	Included in 64	1
68	A17-18-3	Bushing	Included in 58	1
69	145-508	Set Screw		1
70	CM11-02A	Spring		1





RS34	RS34L	VS34	VS34L
○	○	W1076	W1076

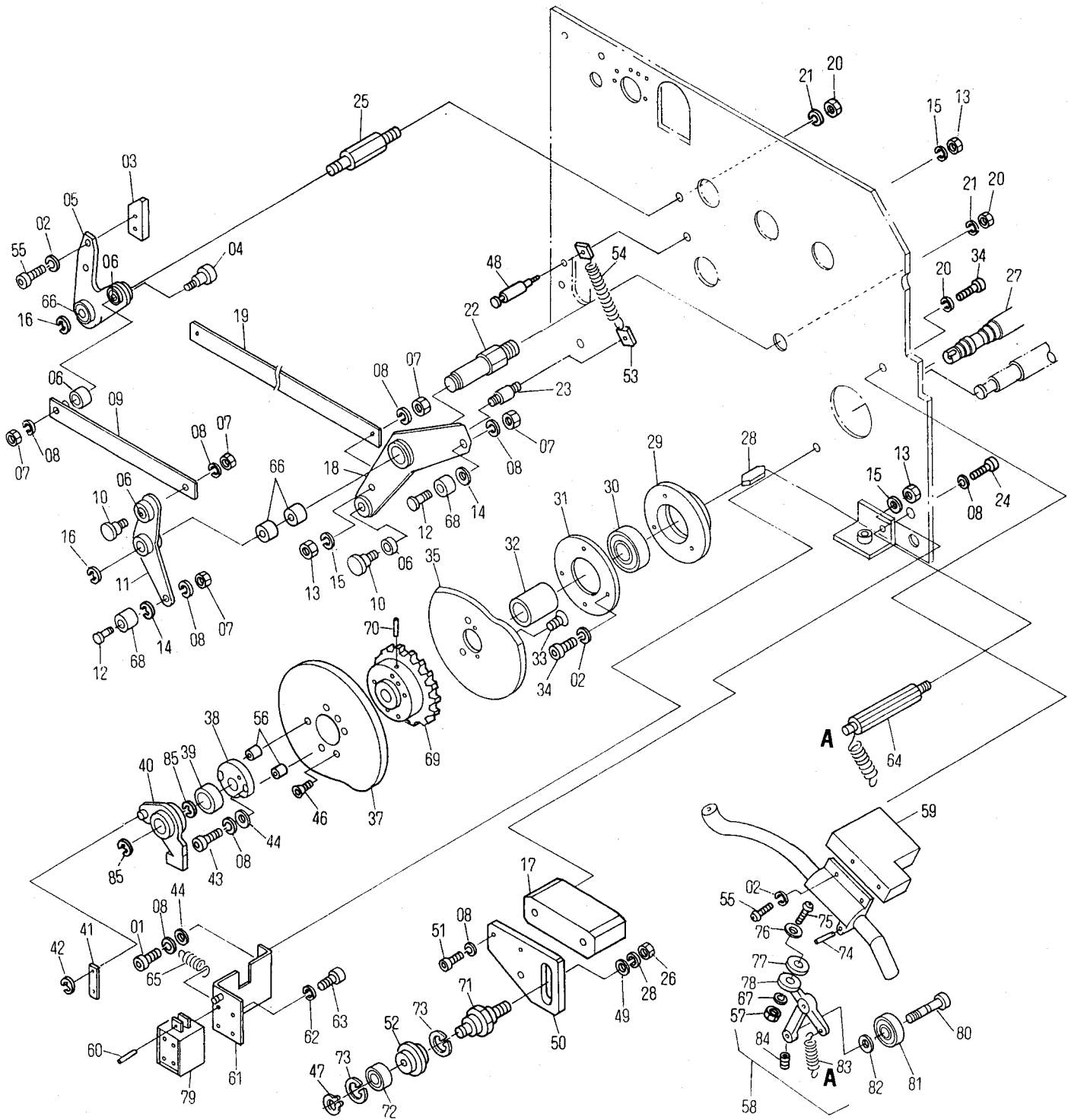
**Feed Section
Paper Elevator Mechanism**

W1009

A

INDEX No.	Parts No.	Description	Remarks	Units Per Assy
01	122-110	Screw		3
02	6901-05020	Flange		1
03	250-204.6	Bearing		1
04	5101-10027	Spacer		1
05	145-358	Set Screw		3
06	5101-10086	Cam		1
07	6801-08070	Cam		1
08	117-362	Screw		4
09	6901-06001	Cam		1
10	KC08-78A	Spray Timing cam A	Option (RS34)	1
11	6901-05050	Spray Timing Cam B	Option (RS34)	1
12	184-105	Flat Washer		2
13	117-510	Screw		1
14	6801-05074	Lead Switch Cam		1
15	180-105	Lock Washer		4
16	117-512	Screw		4
17	6901-05002	Bracket		1
18	E26-75-3	Sensor		1
19	6901-05003	Bracket	Option (RS34)	1
20	E10-20-3	Limit Switch	Option (RS34)	1
21	6901-10015	Stud Pin		1
22	170-108	Nut		1
23	180-108	Lock Washer		1
24	184-108	Flat Washer		1
25	6901-10012A	Lever Assy		1
26	5201-05082	Bushing	Included in 25	1
27	181-408	E-Ring		1
28	5101-10123	Pin		1
29	5101-10119	Bearing		1
30	184-106	Flat Washer		1
31	180-106	Lock Washer		1
32	170-106	Nut		1
33	6901-10012B	Lever Assy	(25, 28-32)	1
34	6901-10040	Drive Link		1
35	H07-16-3	Bushing		1
36	6901-10047	Screw		1
37	6901-10062	Cam		1
38	H07-40-3	Adjustment Lock Plate		1
39	125-708	Screw		2
40	180-105	Lock Washer		2
41				
42				
43				
44				
45				
46				
47				
48				
49				
50				
51				
52				
53				
54				
55				
56				
57				
58				
59				
60				
61				
62				
63				
64				
65				
66				
67				
68				
69				
70				

W1010



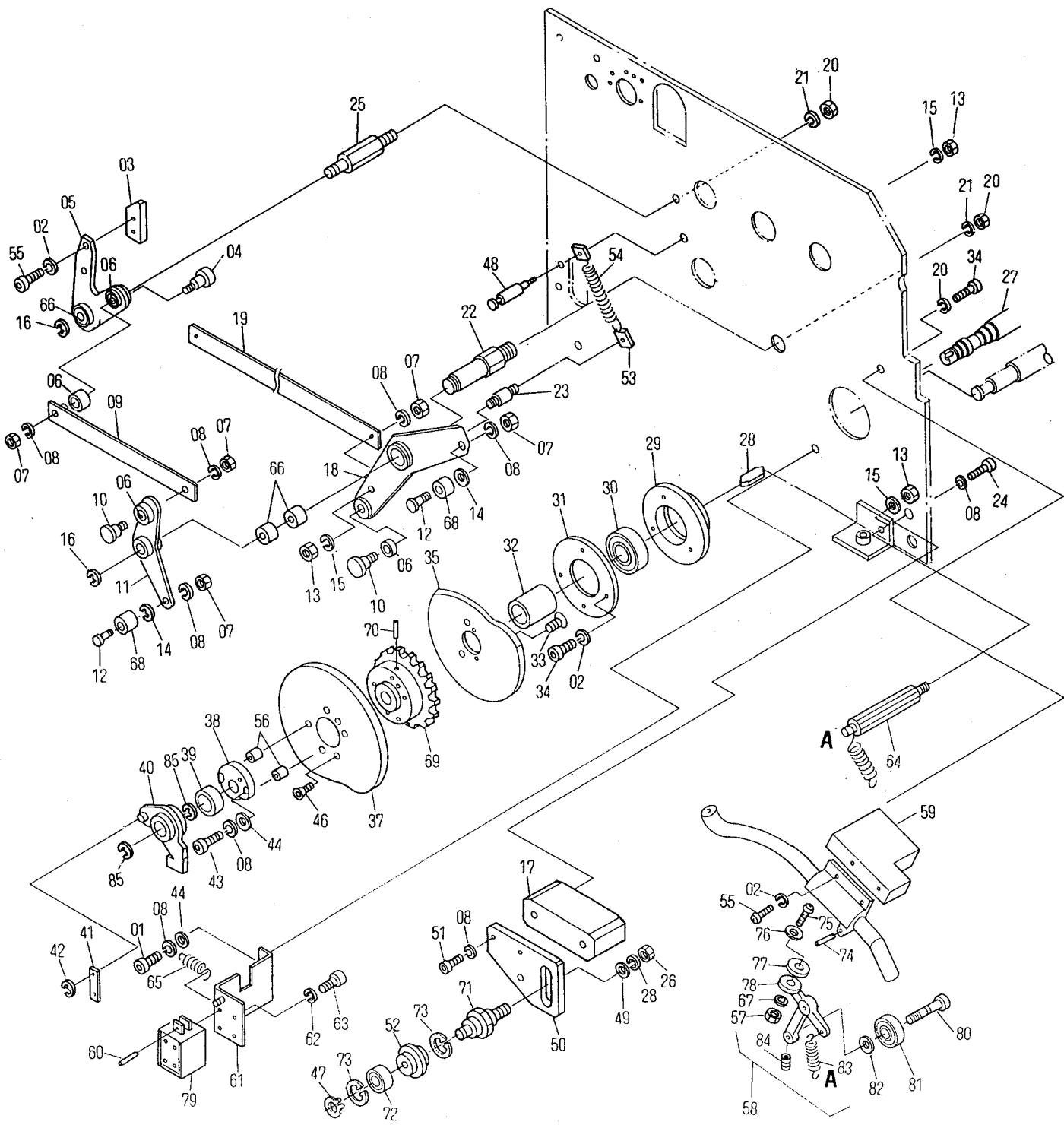
RS34	RS34L	VS34	VS34L
○	○	W1077	W1077

**Feed Section
Suction Valve and Cam**

W1010

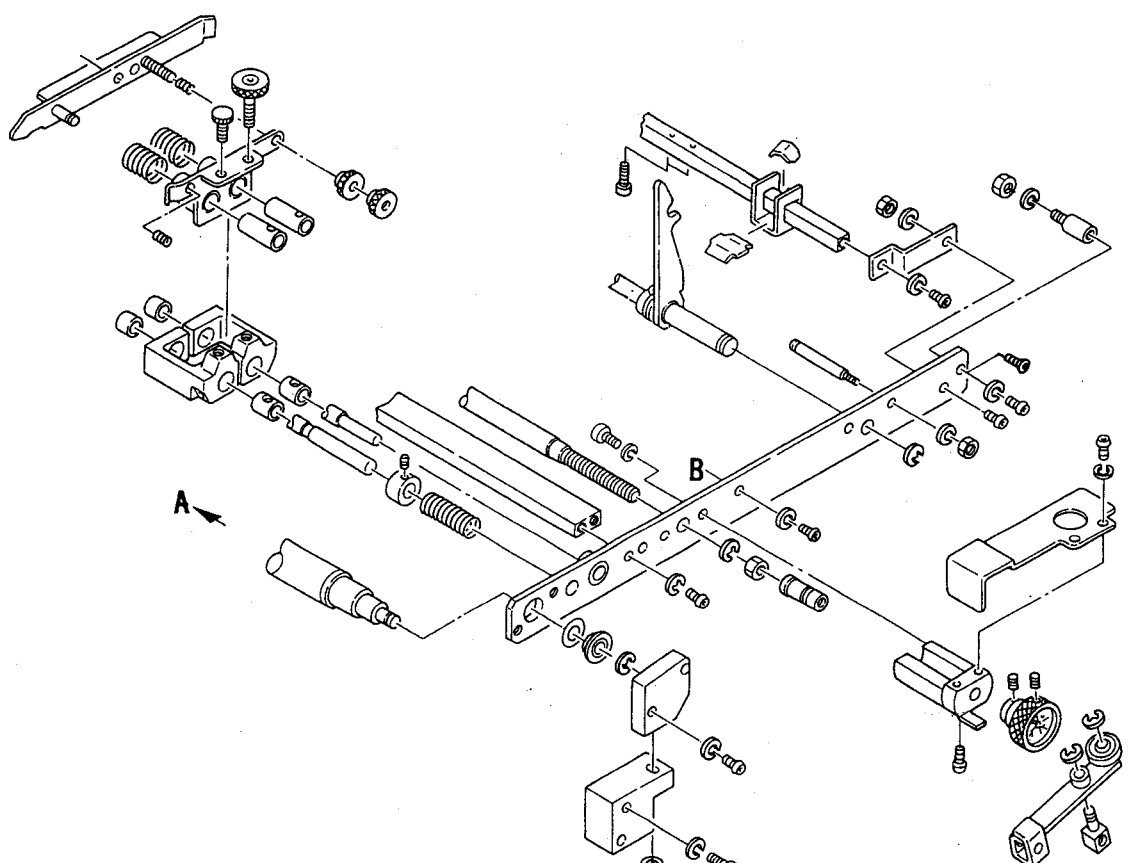
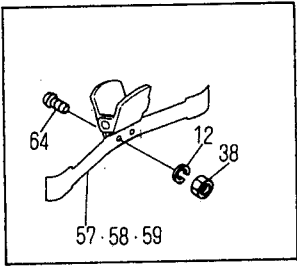
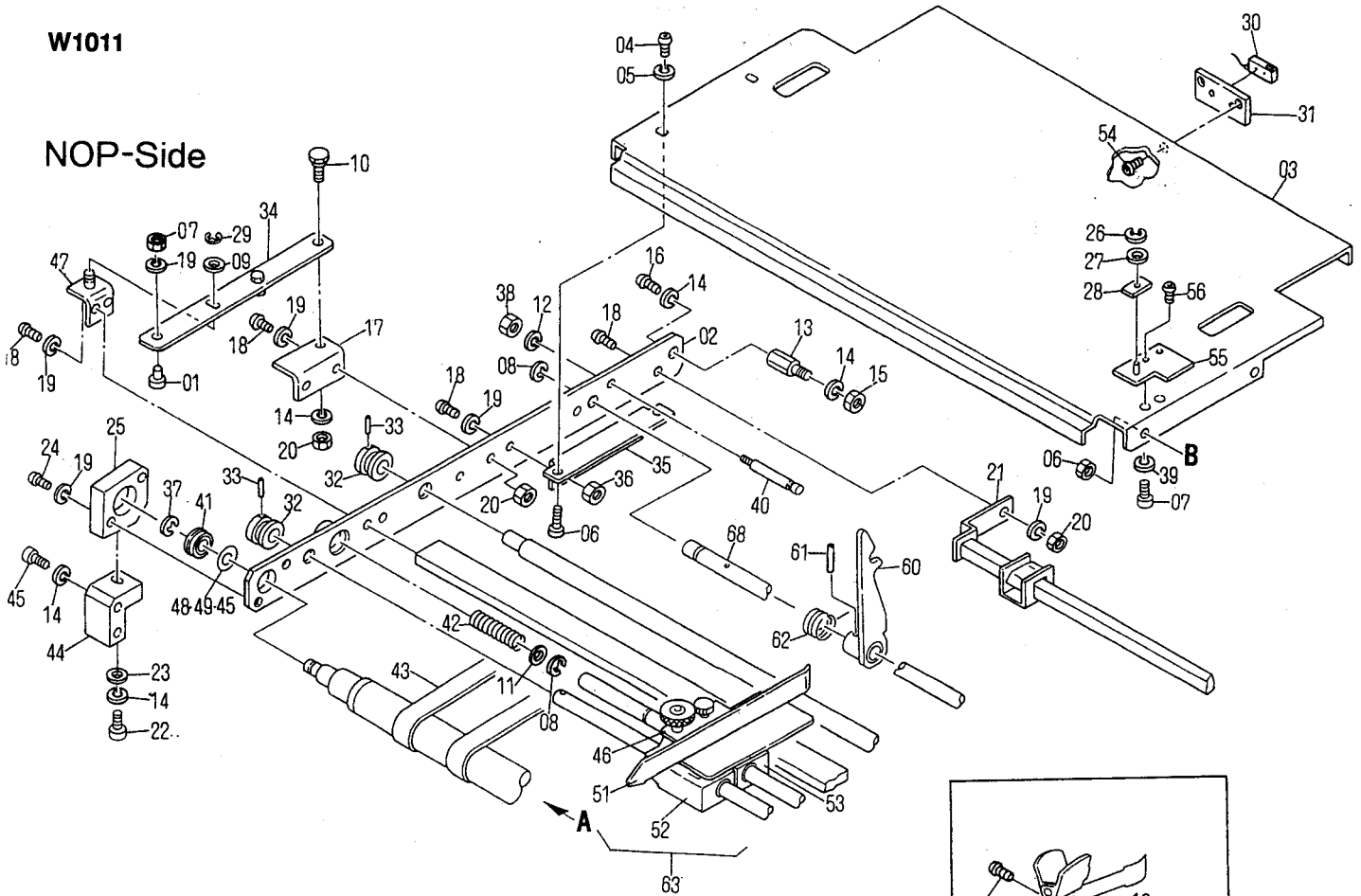
A

INDEX No.	Parts No.	Description	Remarks	Units Per Assy
01	117-362	Screw		2
02	180-105	Lock Washer		11
03	CK08-61	Cam		1
04	CK08-09	Eccentric Pin		1
05	6801-05006A	Lever		1
06	CK08-57	Bushing	Included in 11	3
07	170-106	Nut		5
08	180-106	Lock Washer		13
09	6801-05022	Link		1
10	CK08-16	Pin		2
11	6801-05005B	Lever		1
12	CK08-06	Pin	Included in 11	2
13	170-108	Nut		3
14	184-106.3	Flat Washer		2
15	180-108	Lock Washer		3
16	181-412	E-Ring		2
17	6901-05013	Block		1
18	6801-05007A	Lever		1
19	6801-05023	Link		1
20	170-112	Nut		2
21	180-112	Lock Washer		2
22	6801-05029	Stud Pin		1
23	6801-05068	Spring Pin		1
24	117-365	Screw		2
25	6801-05014	Stud Pin		1
26	170-110	Nut		1
27	6901-05001	Shaft		1
28	180-110	Lock Washer		1
29	5202-03015	Flange		1
30	250-204.6	Bearing		1
31	5202-03016	Bearing Retainer		1
32	6801-05020	Spacer		1
33	122-160	Screw		2
34	117-515	Screw		5
35	6901-05006	Cam		1
37	6901-05005	Cam		1
38	6801-05012	Cam		1
39	6801-05026	Collar		1
40	5101-05034A	Bracket		1
41	CK08-22	Connecting Link		1
42	181-404	E-Ring		1
43	117-368	Screw		2
44	184-106	Flat Washer		4
45	X04-24-3	Spacer		3
46	122-160	Screw		2
47	181-010	C-Ring		1
48	6801-05069	Spring Pin		1
49	184-110	Flat Washer		1
50	5101-05038	Bracket		1
51	117-365	Screw		2
52	6801-05073	Roller		1
53	CM11-47	Spring Hook		2
54	CM11-02	Spring		1
55	125-715	Screw		4
56	X04-24-3	Spacer		2
57	170-104	Nut		1
58	6901-05023A	Valve Lever Assy		1
59	6801-05027	Block		1
60	183-182	Roll Pin		2
61	6801-05009	Bracket		1
62	180-103	Lock Washer		4
63	117-308	Screw		4
64	6805-01006	Stud Pin		1
65	R11-60-3	Spring		1
66	5201-05073	Bushing	Included in 05, 11, 18	3
67	180-104	Lock Washer		1
68	258-631.1	Roller Follower	Included in 11	2
69	6901-07007	Sprocket		1
70	182-193	Taper Pin		1



W1011

NOP-Side



OP-Side

RS34	RS34L	VS34	VS34L
○	○	—	—

**Feed Section
Conveyor and Joger Side Guide**

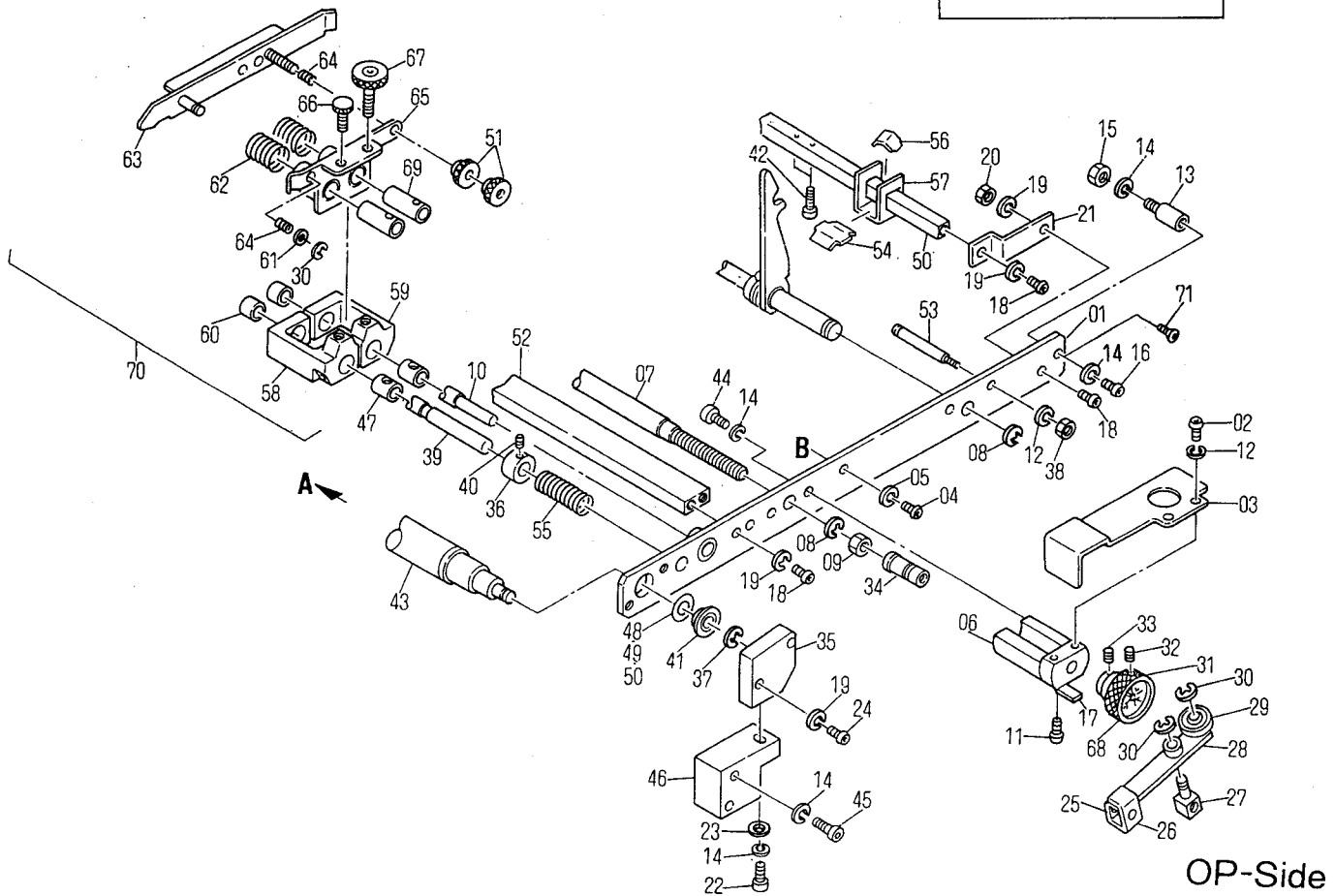
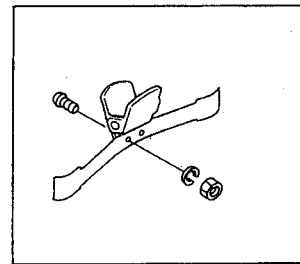
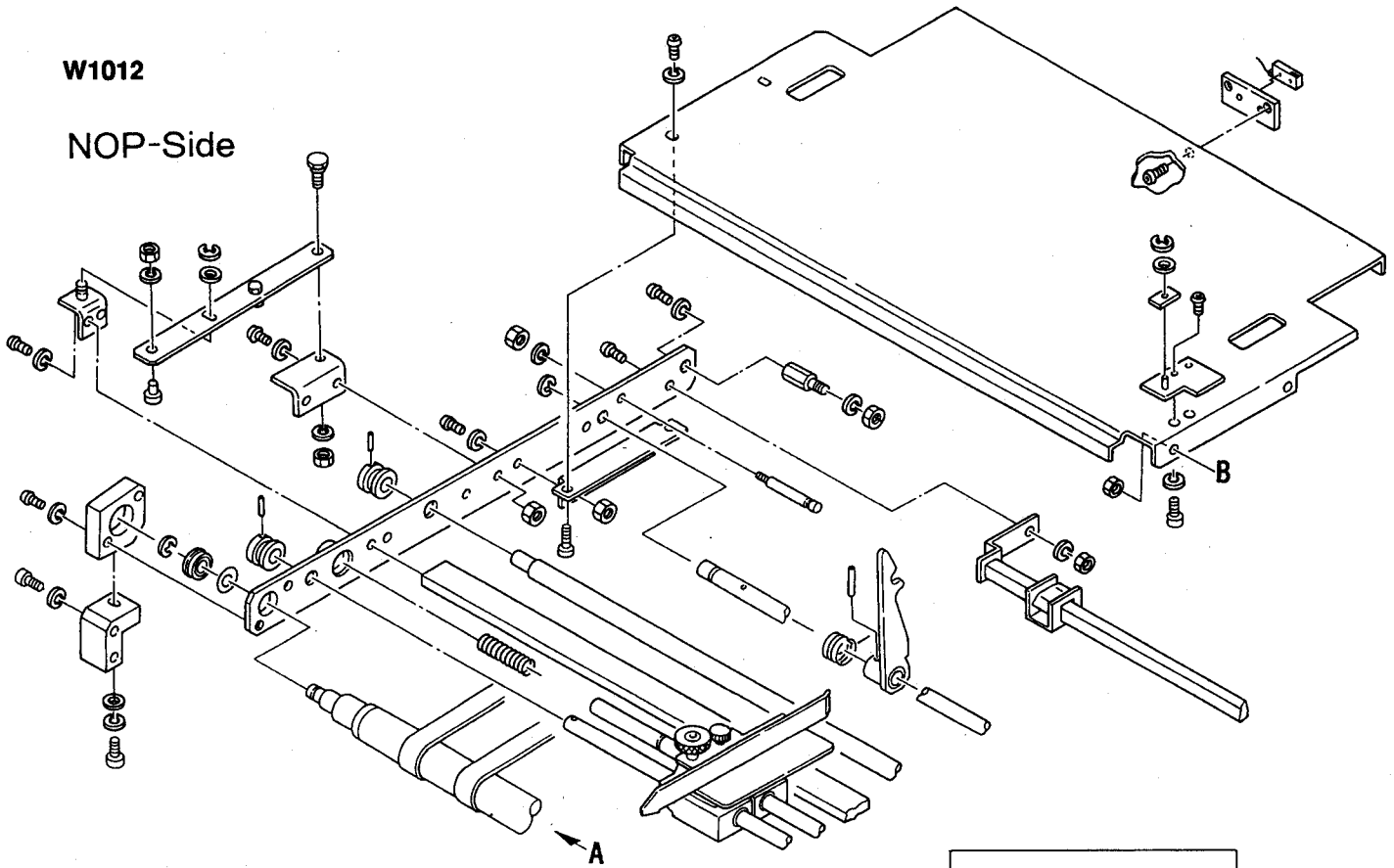
W1011

A

INDEX No.	Parts No.	Description	Remarks	Units Per Assy	
01	CP03-51	Pin		2	
02	6901-10002A	Conveyor Frame	NOP-S	1	
03	6901-10003	Conveyor Table		1	
04	125-712.01	Screw		2	
05	180-105.01	Lock Washer		2	
06	170-105.01	Nut		4	
07	170-105	Nut		4	
08	181-408	E-Ring		2	
09	184-108	Flat Washer		1	
10	M57-25-3	Pin		1	
11	184-110	Flat Washer		1	
12	180-104	Lock Washer		7	
13	6901-10007	Stud		1	
14	180-106	Lock Washer		6	
15	170-106	Nut		1	
16	125-765	Screw		1	
17	6901-10008	Bracket		1	
18	125-715	Screw		7	
19	180-105	Lock Washer		11	
20	170-105	Nut		4	
21	6801-10026	Bracket		1	
22	117-375	Screw		1	
23	184-106	Flat washer		1	
24	125-712	Screw		2	
25	6901-10010	Block		1	
26	181-405	E-Ring		1	
27	H10-75-3	Flat Washer		1	
28	6901-10069	Block		1	
29	181-406	E-Ring		1	
30	E26-74-3	Sensor		1	
31	6901-10054	Bracket		1	
32	6901-10016	Cam		2	
33	183-185	Roll Pin		2	
34	6901-10017	Lever		1	
35	6901-10018	Bracket		1	
36	170-105.1	Nut		2	
37	181-009	C-Ring		1	
38	170-104	Nut		7	
39	180-105	Lock Washer		2	
40	6901-10019	Pin		1	
41	5202-05020	Bearing		1	
42	H10-51-3	Spring		1	
43	6901-10023	Conveyor Tape		6	
44	6901-10024	Bracket		1	
45	117-381	Screw		2	
46	H10-40-1A-3	Side Guide Bracket	Included in 63	M-S	1
47	6901-10029A	Bracket		1	
48	5202-01009	Shim	t=0.1	—	
49	5202-01016	Shim	t=0.2	—	
50	5202-01018	Shim	t=0.3	—	
51	6901-10064A	Take up Guide Assy	Included in 63	NOP-S	1
52	H10-90-30-3	Side Guide Block	Included in 63	NOP-S	1
53	H10-91-30-3	Side Guide Block	Included in 63	NOP-S	1
54	125-655	Screw		2	
55	H10-68-1A-3	Bracket		1	
56	125-712	Screw		2	
57	6901-10056	Plate Spring	T=0.2	2	
58	6901-10057	Plate Spring	T=0.3	2	
59	6901-10058	Plate Spring	T=0.4	2	
60	H30-13-1B-3	Hook		2	
61	183-186	Roll Pin		2	
62	H30-14-3	Spring		2	
63	6901-10064B	Side Guide Assy	NOP-S	1	
64	125-658	Screw		6	
65	6901-10056A	Take up Guide Assy	(12, 38, 57, 64)	T=0.2	1
66	6901-10057A	Take up Guide Assy	(12, 38, 58, 64)	T=0.3	1
67	6901-10058A	Take up Guide Assy	(12, 38, 59, 64)	T=0.4	1
68	6901-10022	Shaft		1	
69					
70					

W1012

NOP-Side



RS34	RS34L	VS34	VS34L
○	○	—	—

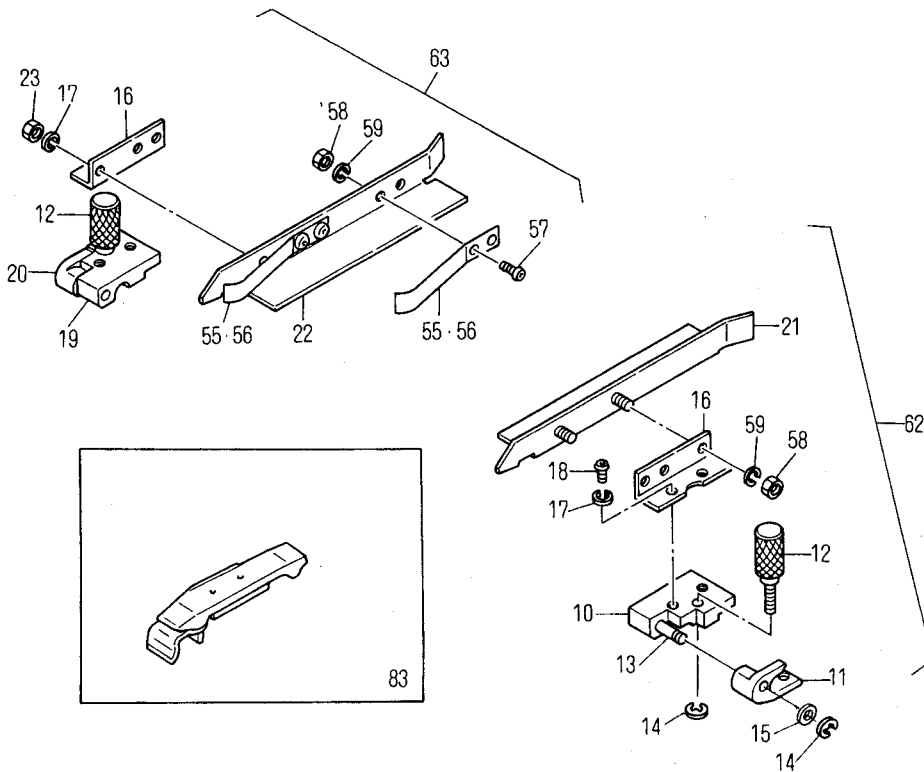
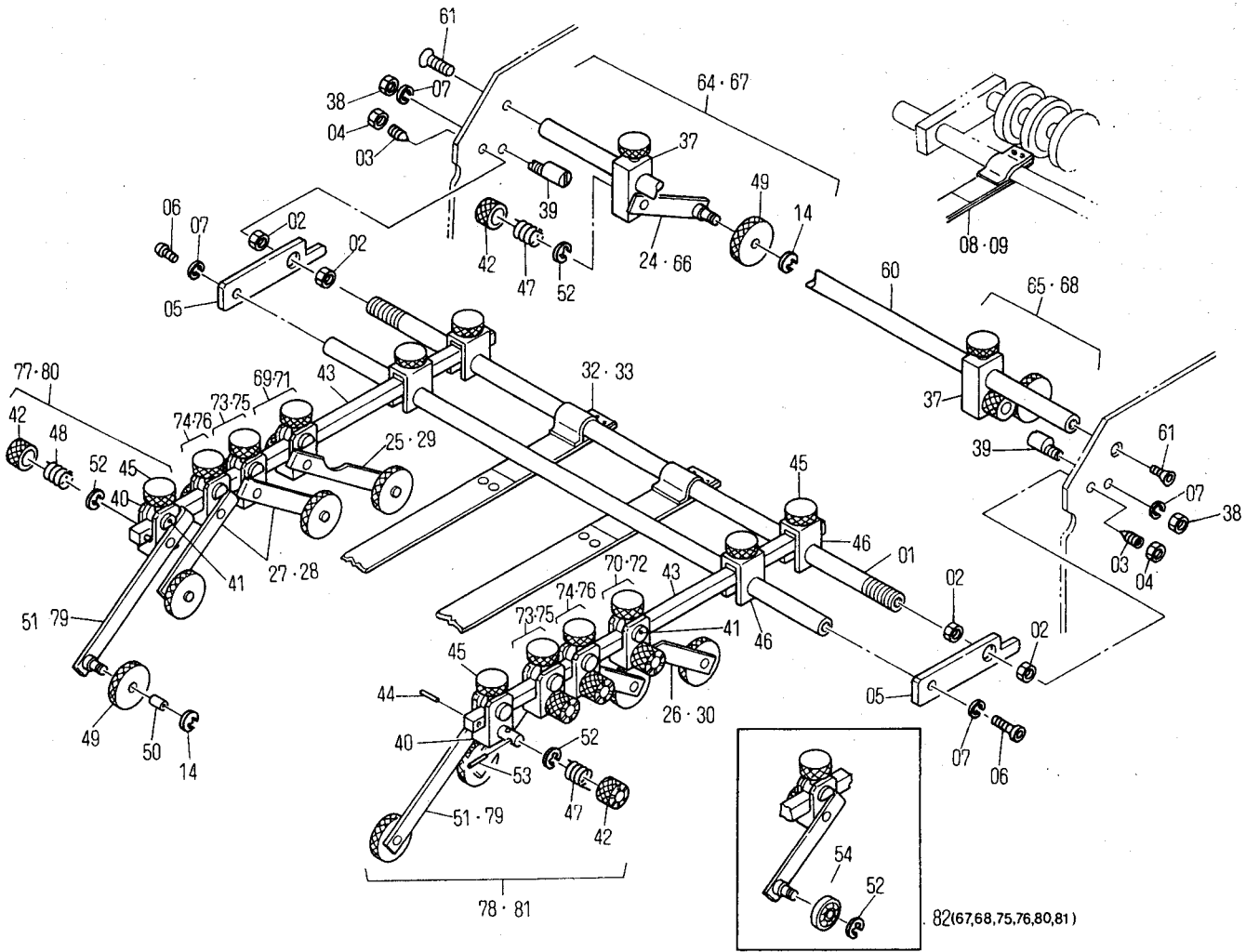
**Feed Section
Conveyor and Jogger Side Guide**

W1012

A

INDEX No.	Parts No.	Description	Remarks	Units Per Assy
01	6901-10001A	Conveyor Frame	OP-S	1
02	125-658	Screw		2
03	5101-10026	Cover		1
04	125-712.01	Screw		2
05	180-105.01	Lock Washer		2
06	6901-10070	Bracket		1
07	6901-10004	Shaft		1
08	181-408	E-Ring		1
09	H10-67-3	Nut		1
10	6901-10005	Shaft		1
11	125-656	Screw		1
12	180-104	Lock Washer		3
13	6901-10007	Stud		1
14	180-106	Lock Washer		7
15	170-106	Nut		1
16	125-765	Screw		1
17	EH10-10	Plate		1
18	125-715	Screw Spring		5
19	180-105	Lock Washer		5
20	170-105	Nut		1
21	6801-10026	Bracket		1
22	117-375	Screw		1
23	184-106	Flat Washer		1
24	125-712	Screw		2
25	H10-60-3	Block		1
26	H10-52-3	Bracket		1
27	H10-61-3	Jogger Lever Pivot Block		1
28	H10-54-1A-3	Lever		1
29	250-126.6	Bearing		1
30	181-405	E-Ring		4
31	5101-20001	Handle		1
32	145-404	Set Screw		1
33	145-508	Set Screw		1
34	5101-10027	Bushing		1
35	6901-10009	Block	OP-S	1
36	H38-20-3	Collar		1
37	181-009	C-Ring		1
38	170-104	Nut		1
39	6901-10006	Shaft		1
40	145-506	Set Screw		1
41	5202-05020	Bearing		1
42	117-408	Screw		1
43	6801-10009	Roller		1
44	117-365	Screw		2
45	117-381	Screw		2
46	6901-10028	Bracket	NOP-S	1
47	H10-92-3	Bushing		4
48	5202-01009	Shim	t=0.1	—
49	5202-01016	Shim	t=0.2	—
50	5202-01018	Shim	t=0.3	—
51	H10-43-01-3	Adjustment Knob		4
52	6901-10048	Bar		1
53	6901-10019	Pin		1
54	6901-10067	Plate Spring		6
55	6901-10055	Spring		1
56	6901-10066	Guide Spring		6
57	6901-10065	Tape Guide		6
58	H10-90-3	Side Guide Block	OP-S	1
59	H10-91-3	Side Guide Block	OP-S	1
60	H10-93-3	Bushing		4
61	184-106	Flat Washer		2
62	6901-10068	Spring		4
63	6901-10063A	Take up Guide Assy	OP-S	1
64	H10-45-3	Spring		4
65	H10-39-1A-3	Side Guide Bracket	OP-S	1
66	H10-94-01-3	Guide Lock Idle Screw		2
67	H10-38-3	Guide Lock Screw		2
68	6901-10039	Indicator		1
69	H10-37-3	Bushing	Included in 65	4
70	6901-10063B	Jogger Side Guide Assy	(47, 51, 58-66, 69)	1
71	122-162	Screw		1

W1013



RS34	RS34L	VS34	VS34L
○	○	—	—

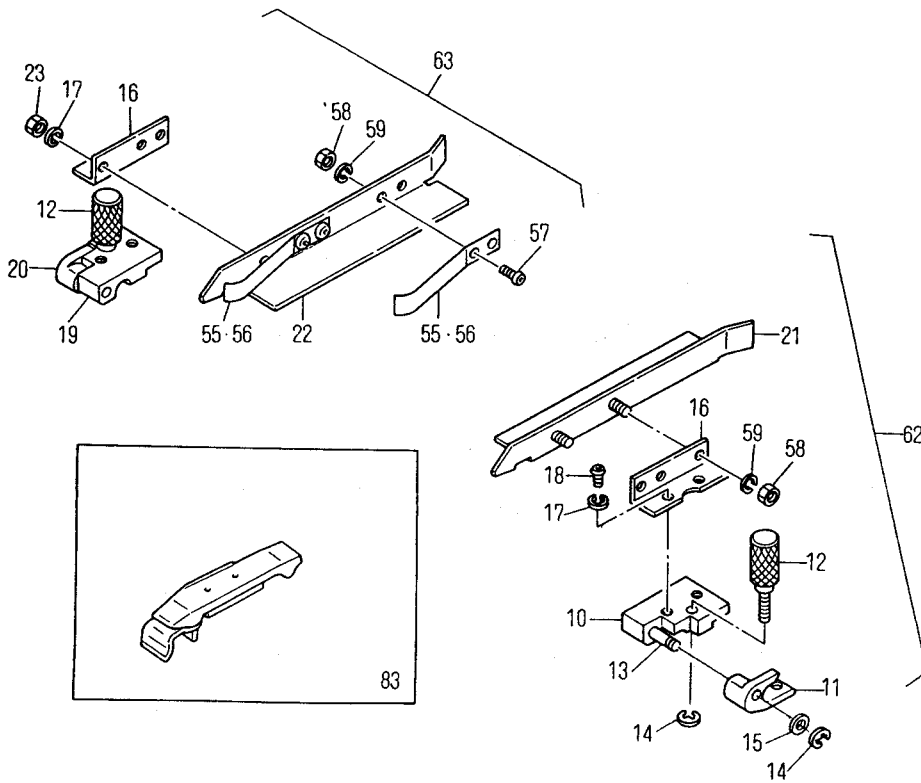
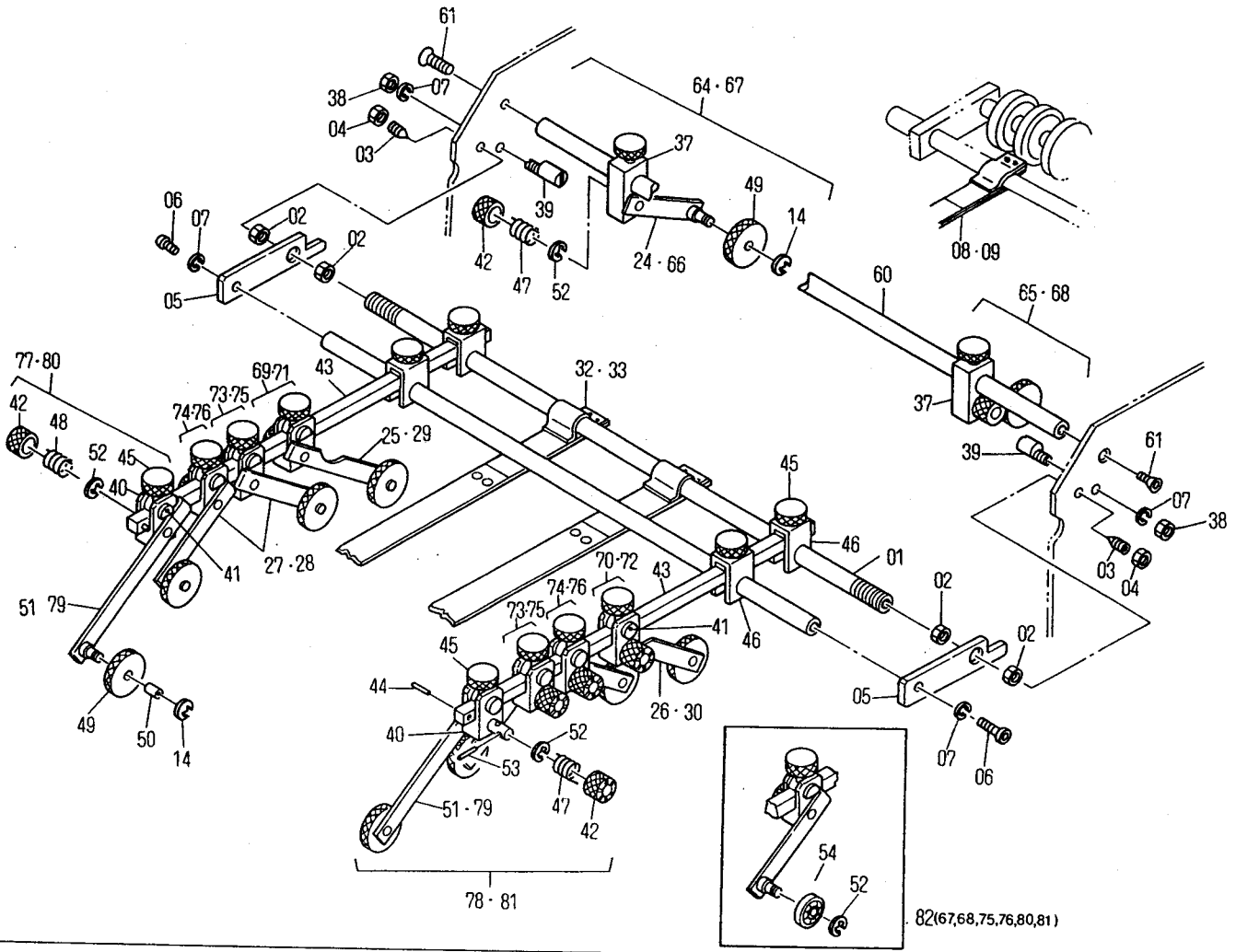
**Feed Section
Skidwheel**

W1013

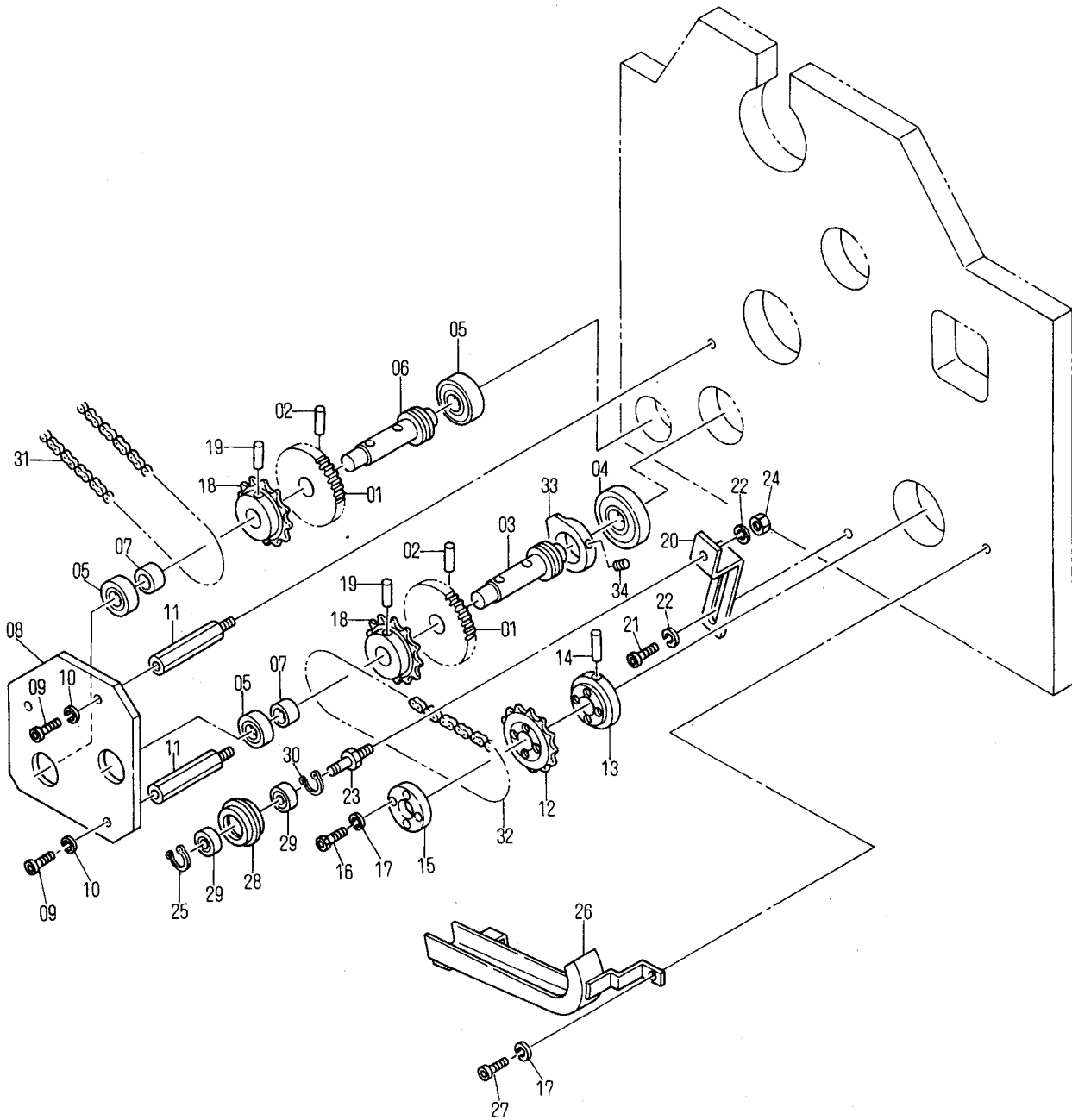
A

INDEX No.	Parts No.	Description	Remarks	Units Per Assy
01	6901-10011	Shaft		1
02	170-110.3	Nut		4
03	140-470	Set Screw		2
04	170-108	Nut		2
05	6901-10021	Skidwheel Frame		2
06	125-712	Screw		2
07	180-105	Lock Washer		4
08	6901-10026A	Paper Retainer Assy	T = 0.2	2
09	6901-10027A	Paper Retainer Assy	T = 0.1	2
10	6901-10030	Bracket	Included in 62 OP-S	1
11	6901-10031A	Bracket	Included in 62 OP-S	1
12	6901-10032	Thumb Screw	Included in 62, 63	2
13	6901-10033	Pin	Included in 11, 19	2
14	181-404	E-Ring		14
15	184-106	Flat Washer		2
16	6901-10034	Bracket	Included in 62, 63	2
17	180-105.01	Lock Washer		6
18	125-706.01	Screw		4
19	6901-10035A	Bracket	Included in 63 NOP-S	1
20	6901-10036	Bracket	Included in 63 NOP-S	1
21	6901-10037A	Guide Assy	Included in 62 OP-S	1
22	6901-10038A	Guide Assy	Included in 63 NOP-S	1
23	170-105.01	Nut		2
24	6901-10042A	Skidwheel Arm		2
25	6901-10043A	Skidwheel Arm		1
26	6901-10044A	Skidwheel Arm		1
27	6901-10049A	Skidwheel Arm		4
28	6901-10049B	Skidwheel Arm	Option	4
29	6901-10043B	Skidwheel Arm	Option	1
30	6901-10044B	Skidwheel Arm	Option	1
31	6901-10042B	Skidwheel Arm	Option	2
32	6901-10060A	Paper Retainer Assy	T = 0.1	2
33	6901-10061A	Paper Retainer Assy	T = 0.2	2
34	6801-10013	Shaft		1
35	117-365	Screw		2
36	180-106	Lock Washer		2
37	6801-10025	Skidwheel Bracket		2
38	170-105	Nut		2
39	H07-30-3	Pin		2
40	H31-04-3	Bracket		8
41	H31-05-3	Pin		8
42	H31-11-01-3	Knob		10
43	H31-17-3	Skidwheel Bracket Guide Arm		2
44	183-152	Roll Pin		2
45	EH10-12	Thumb Screw		14
46	H31-03-3	Bracket		4
47	H31-12-3	Spring		5
48	H31-13-3	Spring		5
49	H11-14-1A-3	Skidwheel		10
50	243-610	Bushing	Included in 127	10
51	H31-08-1A-3	Skidwheel Arm		2
52	181-406	E-Ring		10
53	183-142	Roll Pin		10
54	250-138.6	Bearing	Option	10
55	H10-76-3	Plate Spring		1
56	6901-10059	Plate Spring	Included in 63	2
57	125-658.01	Screw		4
58	170-104.01	Nut		4
59	180-104.01	Lock Washer		4
60	6801-10013	Shaft		1
61	122-165	Screw		2
62	6901-10030A	Take up Guide Assy	OP-S	1
63	6901-10035A	Take up Guide Assy	NOP-S	1
64	6901-10042C	Skidwheel Assy	(14, 24, 37, 42, 45, 47, 49, 52)	1
65	6901-10042D	Skidwheel Assy	(14, 24, 37, 42, 45, 48, 49, 52)	1
66	6901-10042B	Skidwheel Arm		2
67	6901-10042E	Skidwheel Assy	(37, 42, 44, 45, 47, 52, 54, 66)	1
68	6901-10042F	Skidwheel Assy	(37, 42, 44, 45, 48, 52, 54, 66)	1
69	6901-10043C	Skidwheel Assy	(14, 25, 29, 40 ~ 42, 44, 45, 47, 49, 52)	1
70	6901-10044C	Skidwheel Assy	(14, 26, 29, 40 ~ 42, 44, 45, 48, 49, 52)	1

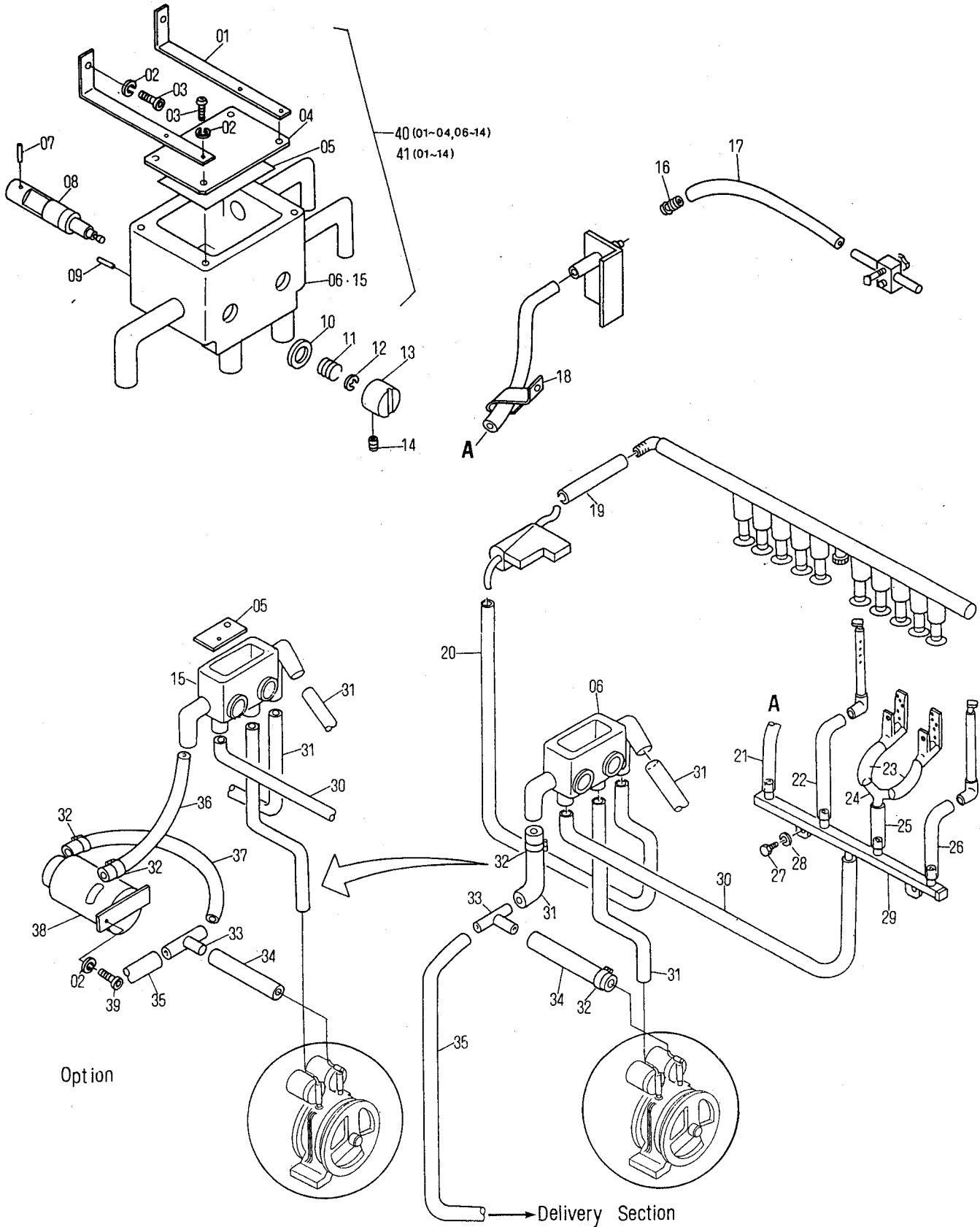
W1013



W1014



W1015



RS34	RS34L	VS34	VS34L
○	○(W1016)	○	○(W1016)

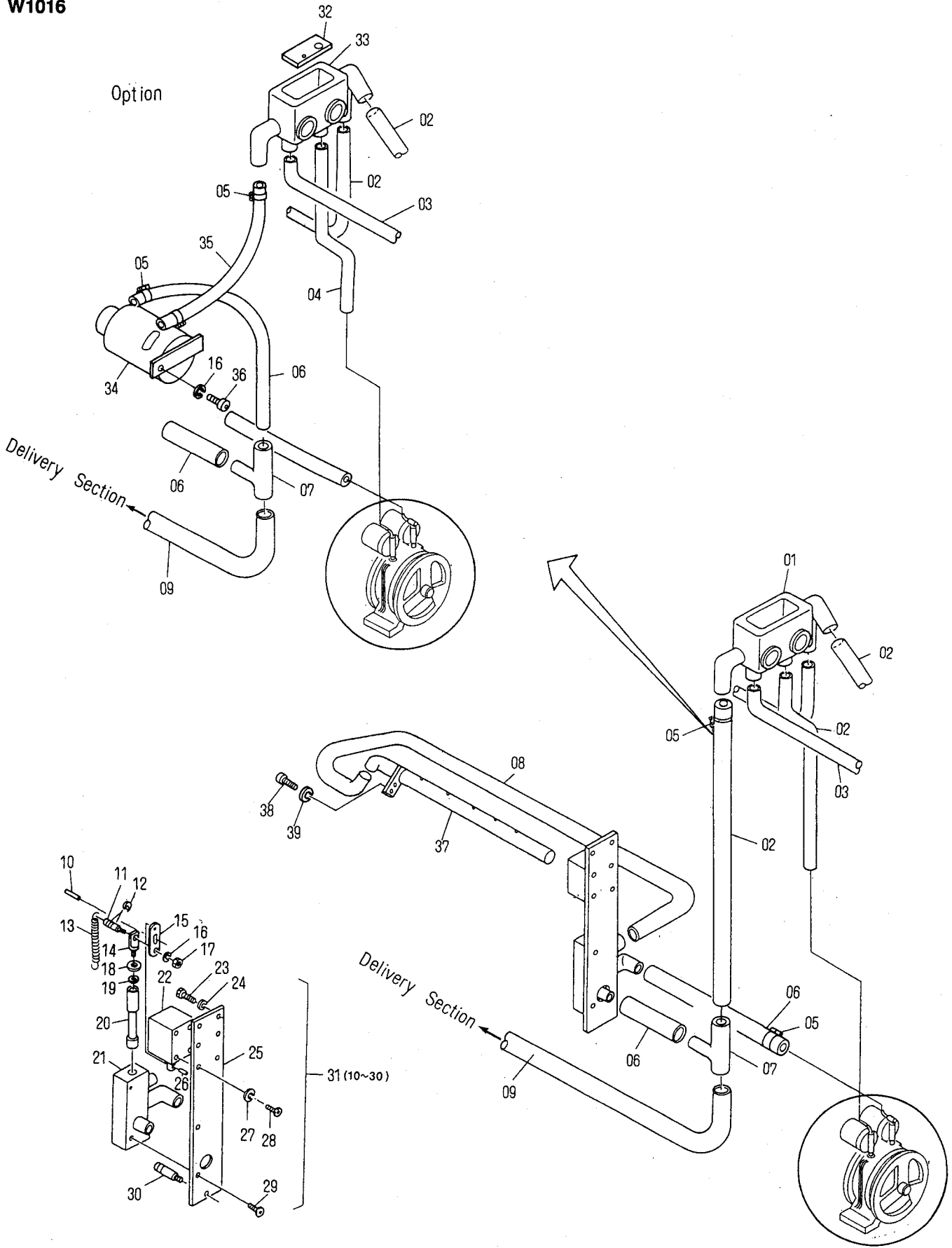
**Feed Section
Air Valve and Air Piping**

W1015

A

INDEX No.	Parts No.	Description	Remarks	Units Per Assy
01	6901-12003	Air Control Bracket		2
02	180-105	Lock Washer		7
03	117-512	Screw		6
04	H18-26-3	Air Control Lid		1
05	CK16-32	Plate	Option	(1)
06	CK16-01A	Air Control		1
07	183-210	Roll Pin		2
08	CK16-04	Air Control Shaft		2
09	183-199	Roll Pin		4
10	184-114	Flat Washer		2
11	5201-12018	Spring		2
12	181-412	E-Ring		2
13	H13-14-3	Air Control Shaft Knob		2
14	145-410	Set Screw		2
15	CK16-31A	Air Control	Option	(1)
16	5103-09106	Plug		1
17	5101-12022	Hose		1
18	CK16-23	Bracket		1
19	6801-12019	Hose		1
20	6801-12006	Hose		1
21	6901-12008	Hose		1
22	6901-12009	Hose		1
23	H13-52-01-3	Hose		1
24	H13-46-01-3	Hose Joint		1
25	6901-12017	Hose		1
26	6901-12006	Hose		1
27	117-360	Screw		2
28	180-106	Lock Washer		2
29	EH13-08	Suction Valve Hose Joint		1
30	6901-12012	Hose		1
31	EH23-02	Hose		3 (2)
32	H13-54-01-3	Hose Band		2 (4)
33	CK09-107	Hose Joint		1
34	6901-12014	Hose		1
35	6901-12011	Hose		1
36	6901-12013	Hose		(1)
37	6901-12014	Hose		(1)
38	CK16-34	Air Tank		(1)
39	117-515	Screw		(1)
40	6901-12003A	Air Control Assy (01-04, 06-14)		1
41	6901-12003B	Air Control Assy (01-14)	Option	(1)
42				
43				
44				
45				
46				
47				
48				
49				
50				
51				
52				
53				
54				
55				
56				
57				
58				
59				
60				
61				
62				
63				
64				
65				
66				
67				
68				
69				
70				

W1016



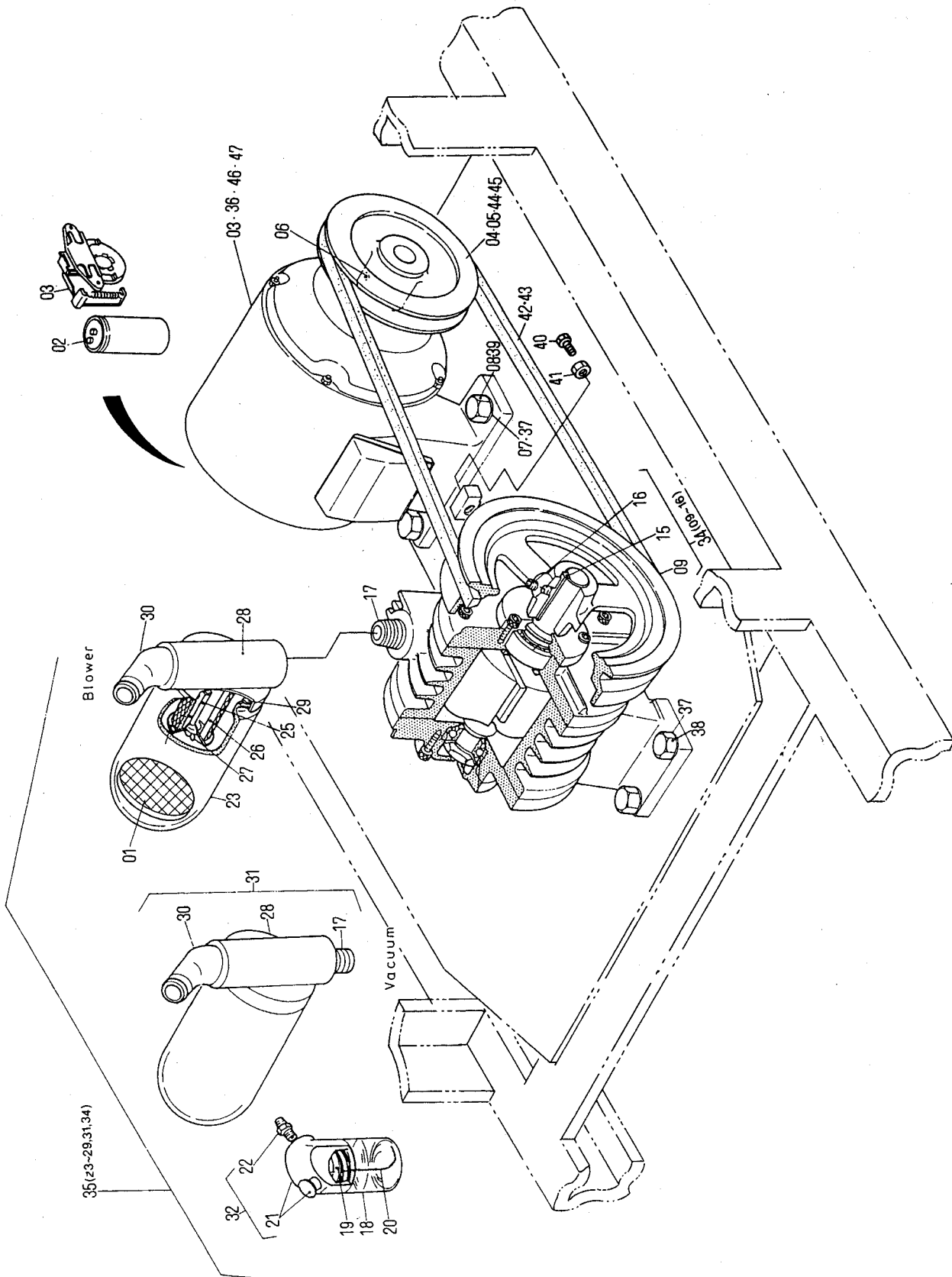
RS34	RS34L	VS34	VS34L
W1015	○	W1015	○

**Feed Section
Air Valve and Air Piping**

W1016

A

INDEX No.	Parts No.	Description	Remarks	Units Per Assy
01	CK16-01A	Air Control		1
02	EH23-02	Hose		3
03	6901-12012	Hose		1
04	6801-12006	Hose		1
05	H13-54-01-3	Hose Band		2 (4)
06	6901-12014	Hose		2
07	CK09-107	Hose Joint		1
08	6801-12014	Hose		1
09	6901-12011	Hose		1
10	183-	Roll Pin		1
11	CP09-15	Pin		1
12	181-404	E-Ring		2
13	KU-05	Spring		1
14	X05-51-3	Bolt		1
15	CP09-16	Plate		1
16	180-105	Lock Washer		1
17	170-108	Nut		1
18	X01-14-3	Spacer		1
19	F46-10-3	Spacer		1
20	H18-12-3	Piston		1
21	CP09-56A	Valve Assy		1
22	E09-25-3	Solenoid		1
23	101-366	Screw		2
24	180-106	Lock Washer		2
25	CP09-41	Valve Plate		1
26	183-182	Roll Pin		1
27	180-103	Lock Washer		4
28	125-610	Screw		4
29	125-715	Screw		2
30	CP09-53	Pin		1
31	CP09-41A	Valve Assy (10-30)		1
32	CK16-32	Plate		1
33	CK16-31	Air Control		(1)
34	CK16-34	Air Tank		(1)
35	6901-12013	Hose		(1)
36	117-515	Screw		(1)
37	6903-09036	Air Nozzle		1
38	117-365	Screw		2
39	180-106	Lock Washer		2
40				
41				
42				
43				
44				
45				
46				
47				
48				
49				
50				
51				
52				
53				
54				
55				
56				
57				
58				
59				
60				
61				
62				
63				
64				
65				
66				
67				
68				
69				
70				



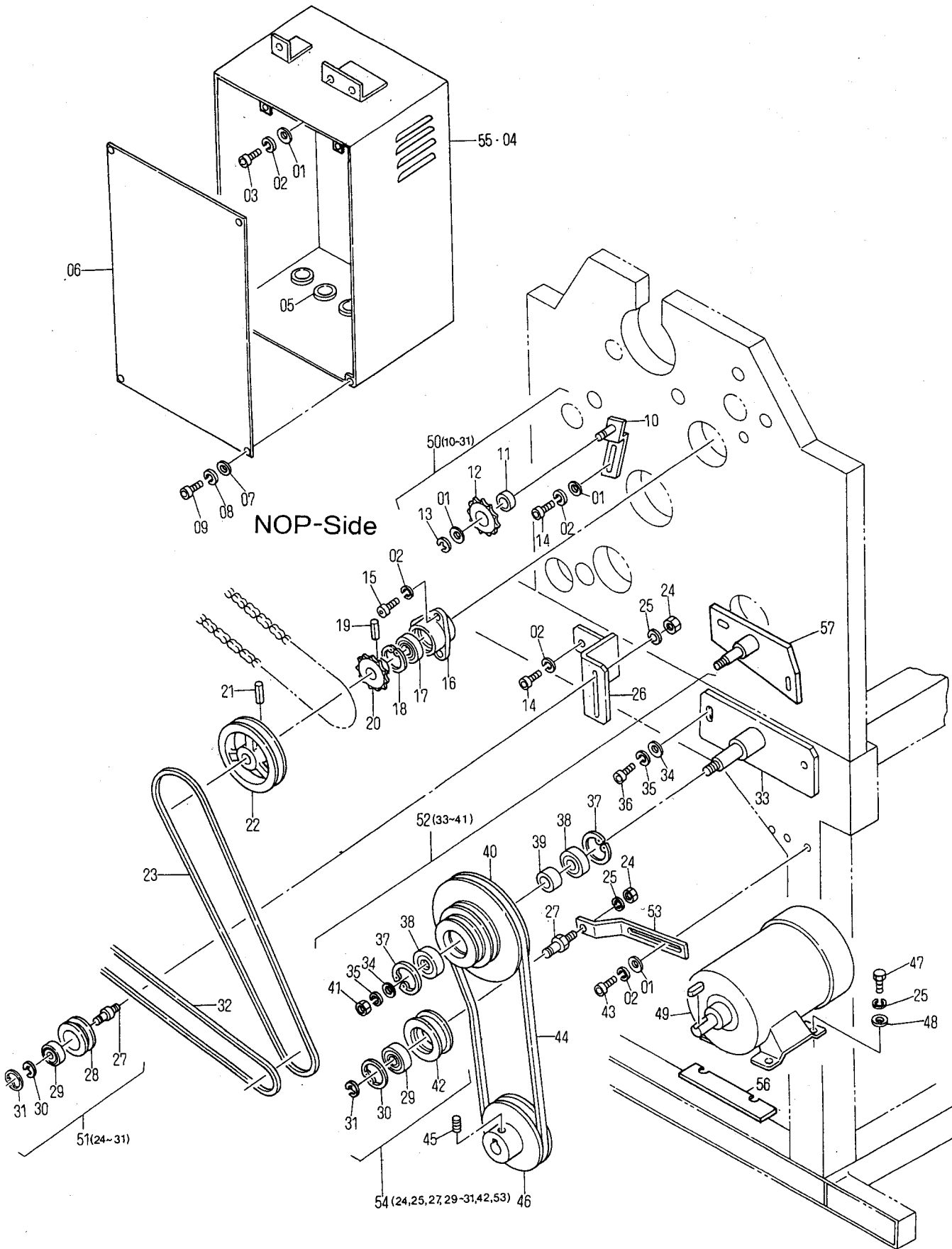
Pump and Pump Drive Motor

RS34	RS34L	VS34	VS34L
○	○	○	○

W1017

A

INDEX No.	Parts No.	Description	Remarks	Units Per Assy
01	H13-27-1P-3	Oil Catch		1
02	E91-13-3	Capacitor	Included in 36, 47	1
03	E01-89-3	Pump Drive Motor	(220V/380V) 3 Phase	1
04	B08-06-11-3	Pump Drive Motor Pulley	Single Phase 200V 60Hz	1
05	B08-06-12-3	Pump Drive Motor Pulley	Single Phase 200V 50Hz	1
06	145-362	Set Screw		1
07	180-108	Lock Washer		4
08	101-466	Screw		4
09	H13-92-3	Pump Pulley		1
10	H13-98-3	Oil Retainer		1
11	H13-77-3	Bearing		2
12	H13-91-01-3	Rotor Blade		4
13	174-704	Bearing Nut		1
14	180-704	Washer		1
15	H13-97-3	Key for Pump Pulley		1
16	145-365	Set Screw		1
17	6901-12002	Inlet (Outlet) Nipple		2
18	H13-59-3	Oil Reservoir Bottle		1
19	H13-60-3	Oil Reservoir Washer		1
20	H13-62-3	Oil Wick		1
21	H13-57-0A-3	Oil Cap		1
22	H13-61-01-3	Oil Reservoir Bottle Nipple		1
23	H13-24-3	Filter Bolte		2
24	H13-27-31-3	Filter Retaining Plate		2
25	H13-26-31-3	Filter Retaining Stem		2
26	H13-28-31-3	Filter		2
27	163-105	Wing Nut		2
28	EH13-05	Filter Bracket		2
29	H13-25-3	Filter Gasket		2
30	CK16-20	Hose Joint		2
31	6901-12002C	Inlet Filter Bracket	(17, 28, 30)	2
32	H13-57-1B-3	Oil Reservoir Assy	(18-22)	1
33	E91-11-3	Governor Switch	Included in 36, 47	1
34	EH13-01A	Pump with Pulley	(09-16)	1
35	6901-12002A	Pump Assy	(23-29, 31, 34)	1
36	E01-87-3	Pump Drive Motor	(120V/240V) Single Phase	1
37	184-106	Flat Washer	3 Phase 200V	4
38	101-571	Screw		4
39	101-375	Screw	3 Phase 200V	4
40	101-481	Screw		1
41	170-108	Nut		1
42	KV-11	Pulley Drive Belt	50Hz A-35	1
43	F33-11-01-3	Pulley Drive Belt	60Hz A-34	1
44	B08-06-14-3	Pump Drive Motor Pulley	3 Phase 200V 50Hz	1
45	B08-06-13-3	Pump Drive Motor Pulley	3 Phase 200V 60Hz	1
46	E01-83-3	Pump Drive Motor	(200V) 3 Phase	1
47	E01-85-3	Pump Drive Motor	(110V/220V) Single Phase	1
48				
49				
50				
51				
52				
53				
54				
55				
56				
57				
58				
59				
60				
61				
62				
63				
64				
65				
66				
67				
68				
69				
70				



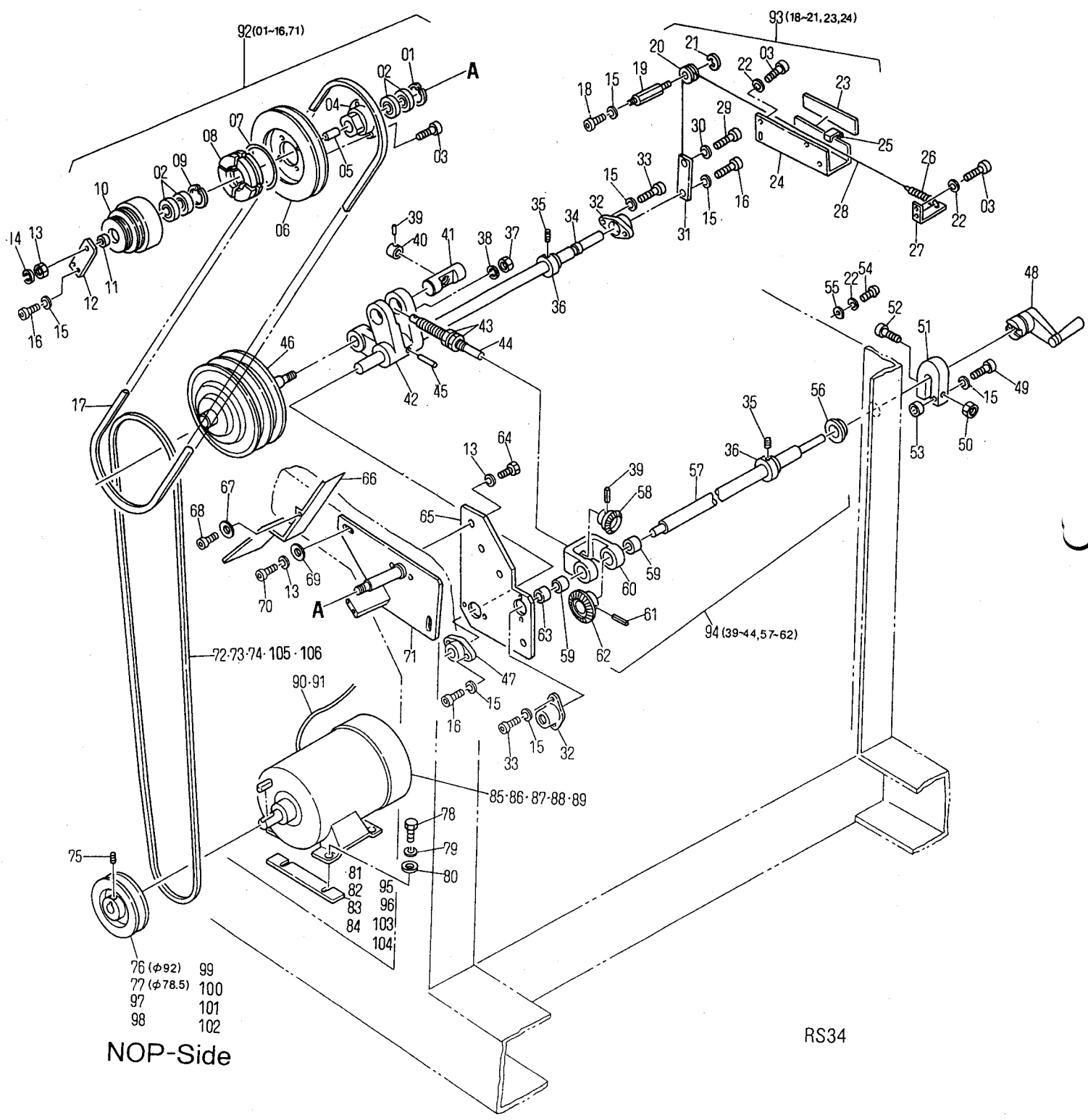
Main Drive Section

RS34	RS34L	VS34	VS34L
○ (W1019)	○	○ (W1019)	○

W1018

INDEX No.	Parts No.	Description	Remarks	Units Per Assy
01	184-106	Flat Washer		7
02	180-106	Lock Washer		9
03	117-358	Screw		3
04	6902-14029	Inverter Box		1
05	6902-14072	Guard		3
06	6902-14030	Plate (Cover)		1
07	184-104	Flat Washer		4
08	180-104	Lock Washer		4
09	117-408	Screw		4
10	6902-14050A	Idle Sprocket Bracket		1
11	CK02-91	Spacer		1
12	CK02-90	Idle Sprocket		1
13	181-404	E-Ring		1
14	117-362	Screw		2
15	117-370	Screw		3
16	6902-14009A	Main Drive Shaft Bushing Bracket		1
17	250-004.6	Bearing	Included in 16	1
18	181-242	C-Ring	Included in 16	1
19	183-228	Roll Pin		1
20	6902-14010	Gear		1
21	7303-05050	Roll Pin		1
22	6902-14011	Drive Pulley		1
23	M61-27-3	Cylinder Head Drive Belt (A-38)		1
24	170-108	Nut		2
25	180-108	Lock Washer		6
26	6901-02003	Idle Sprocket Bracket		1
27	CM05-59	Pin		2
28	6901-02027A	Idle Sprocket		1
29	250-201.6	Bearing	Included in 28	2
30	181-232	C-Ring	Included in 28	1
31	181-012	C-Ring		3
32	6902-14031	Drive Belt (M-78)		1
33	6902-14034	Pulley Bracket	Old Type	1
34	184-110	Flat Washer		3
35	180-110	Lock Washer		3
36	117-560	Screw		2
37	181-235	C-Ring		2
38	250-202.6	Bearing		2
39	4205-03004	Spacer		1
40	6902-14059	Drive Pulley		1
41	170-110	Nut		1
42	CM05-48	Idle Sprocket		1
43	117-360	Screw		2
44	6902-14037	Drive Belt (A-50)		1
45	145-358	Set Screw		1
46	6902-14036	Motor Pulley		1
47	101-470T	Screw		4
48	184-108	Flat Washer		4
49	E01-73-3	Motor		1
50	6902-14050B	Idle Sprocket Assy (10-13)		1
51	6901-02003A	Idle Sprocket Assy (24-31)		1
52	6902-14034A	Drive Pulley Assy (33-41)		1
53	6902-14032	Idle Sprocket Bracket		1
54	6902-14032A	Idle Sprocket Assy (24, 25, 27, 29-31, 42, 53)		1
55	6902-14029	Inverter Box		1
56	6902-14016	Spacer	L Type	1
57	6902-14077	Pully Bracket	New Type	1
58				
59				
60				
61				
62				
63				
64				
65				
66				
67				
68				
69				
70				

B



- 76 (φ92) 99
- 77 (φ78.5) 100
- 97 101
- 98 102

NOP-Side

RS34

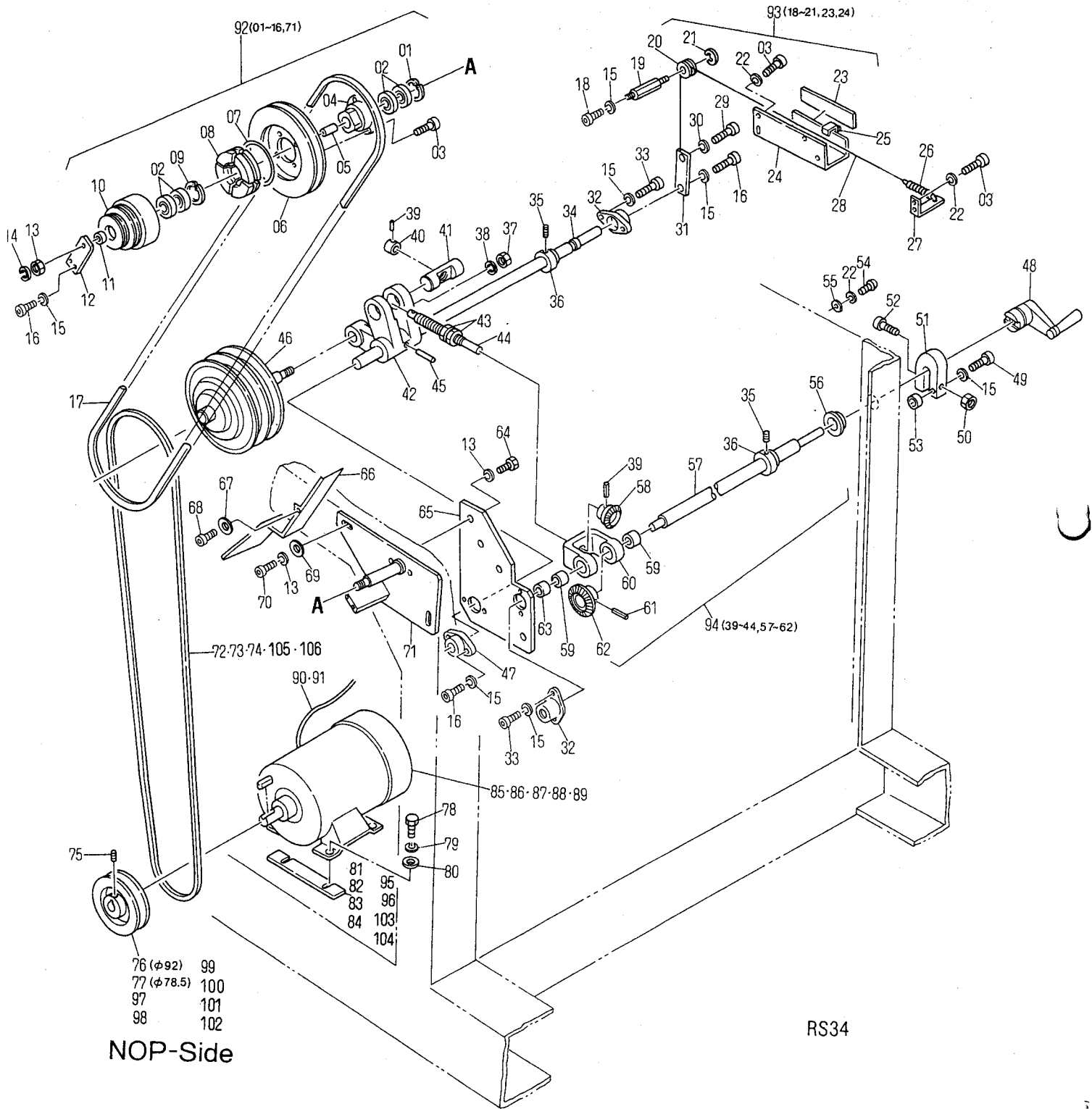
RS34	RS34L	VS34	VS34L
○	W1018	○	W1018

Drive Motor and Speed-Control (RS34)

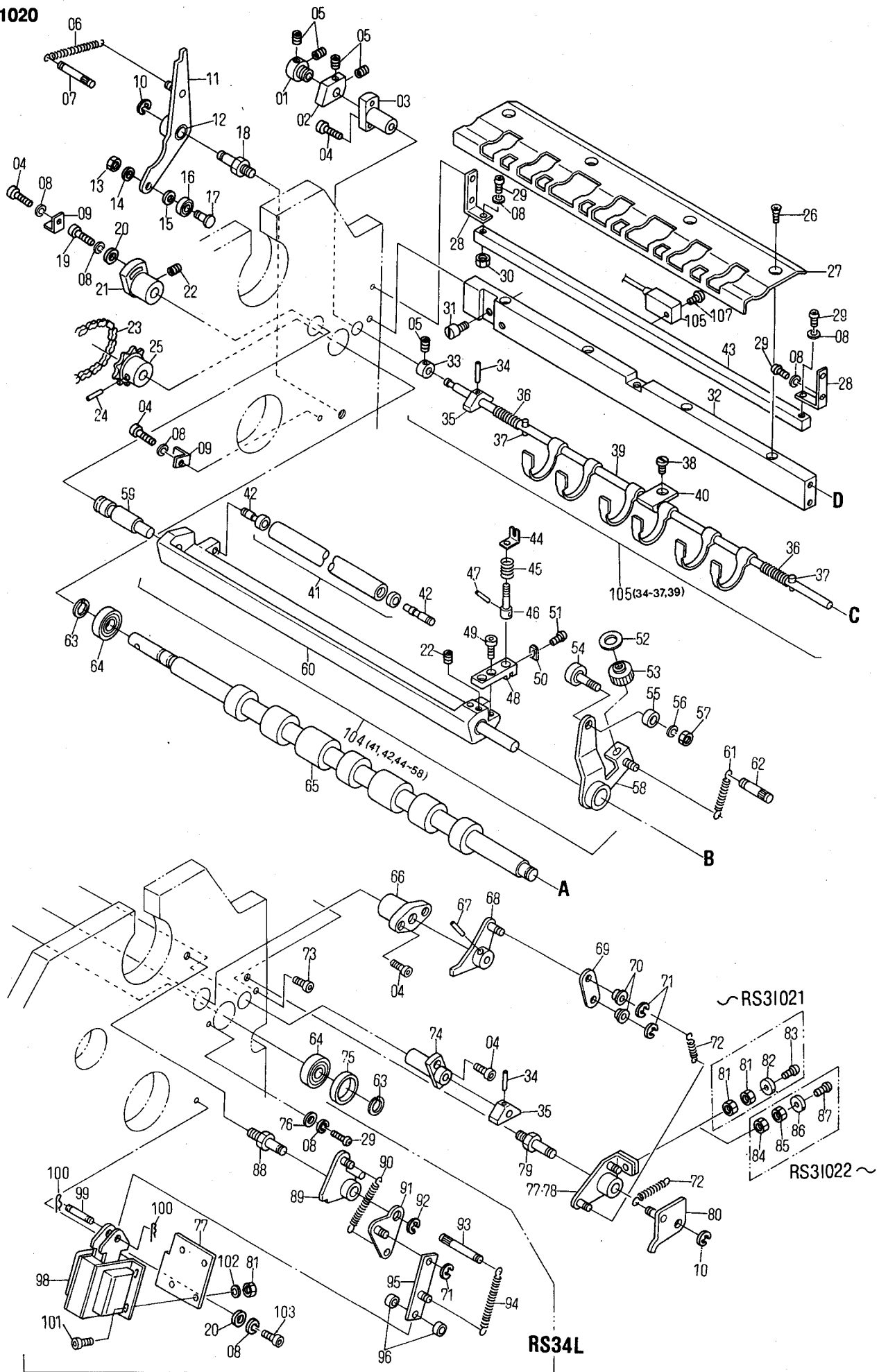
W1019

INDEX No.	Parts No.	Description	Remarks	Units Per Assy
01	181-632	C-Ring	Included in 04	1
02	250-002.6	Bearing	Included in 04, 10	2
03	117-510	Screw		7
04	CM05-81A	Flange		1
05	CM05-80	Spacer		1
06	6902-14003	Drive Pulley		1
07	M05-78-3	Clutch Spring		1
08	CM05-83	Clutch Shoe		1
09	181-235	C-Ring	Included in 10	1
10	6902-14005A	Drive Pulley		1
11	6902-14054	Spacer		1
12	6902-14020	Bracket		1
13	180-110	Lock Washer		6
14	170-110	Nut		1
15	180-106	Lock Washer		10
16	117-365	Screw		5
17	B25-22-3	Drive Belt		1
18	170-106	Nut		1
19	6902-14045	Stud		1
20	CM05-13	Pulley		1
21	181-406	E-Ring		1
22	180-105	Lock Washer		5
23	6902-14043	Scale		1
24	6902-14046	Bracket		1
25	CM05-09	Scale Pointer		1
26	6902-14051	Spring		1
27	6902-14028	Bracket		1
28	6902-14044	Wire		1
29	117-408	Screw		1
30	180-104	Lock Washer		1
31	6902-14041	Bracket		1
32	6902-14006	Bushing Bracket		2
33	117-360	Screw		4
34	6902-14024	Shaft		1
35	141-356	Set Screw		2
36	COM-20	Collar		2
37	170-116	Nut		1
38	180-116	Lock Washer		1
39	183-206	Roll Pin		2
40	CM05-21	Collar		1
41	CM05-22	Pin		1
42	6902-14001	Lever		1
43	CM05-44	Nut		2
44	6902-14023	Screw Shaft		1
45	183-251	Roll Pin		1
46	6902-14013	Drive Pulley		1
47	6902-14025	Bushing Bracket		1
48	6904-05012A	Crank Handle		1
49	117-380	Screw		1
50	I31-10-3	Nut		1
51	CP18-91	Brake Shoe		1
52	117-531	Screw		1
53	5204-01018	Spacer		1
54	125-708	Screw		1
55	I23-18-3	Stopper		1
56	6902-14021	Bushing Bracket		1
57	6902-14022	Speed Control Shaft		1
58	CM05-19	Bevel Gear		1
59	243-641	Bushing		2
60	CM05-15	Bracket		1
61	183-209	Roll Pin		1
62	CM05-20	Bevel Gear		1
63	6902-14060	Spacer		1
64	101-556	Screw		3
65	6902-14002	Frame		1
66	6902-14062	Cover		1
67	184-106	Flat Washer		2
68	117-358	Screw		2
69	184-110	Flat Washer		2
70	117-560	Screw		2

B



W1020



RS34	RS34L	VS34	VS34L
○	○	W1078	W1078

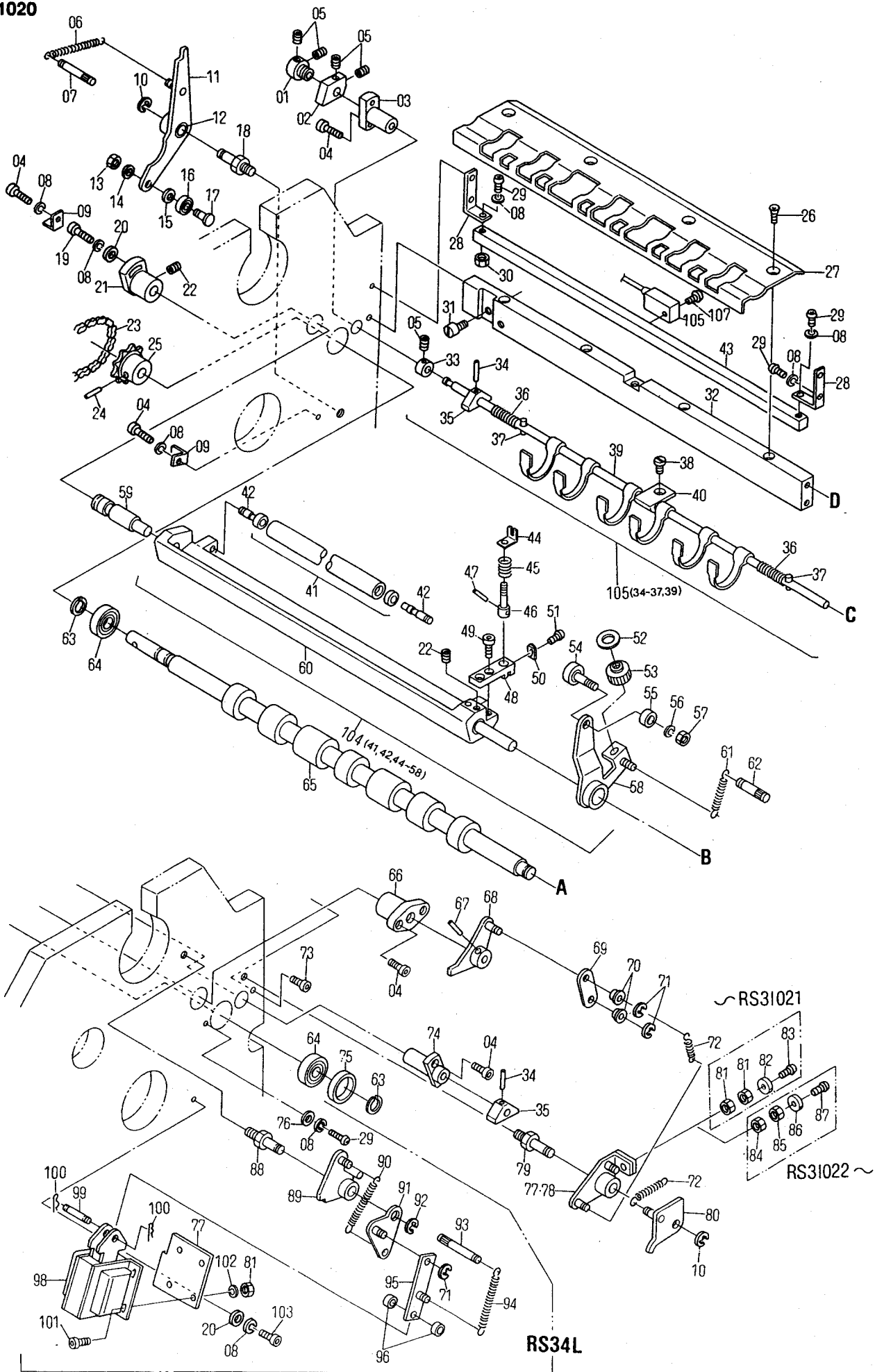
**Press Section
Upper Feed Roller and Lower Feed Roller**

W1020

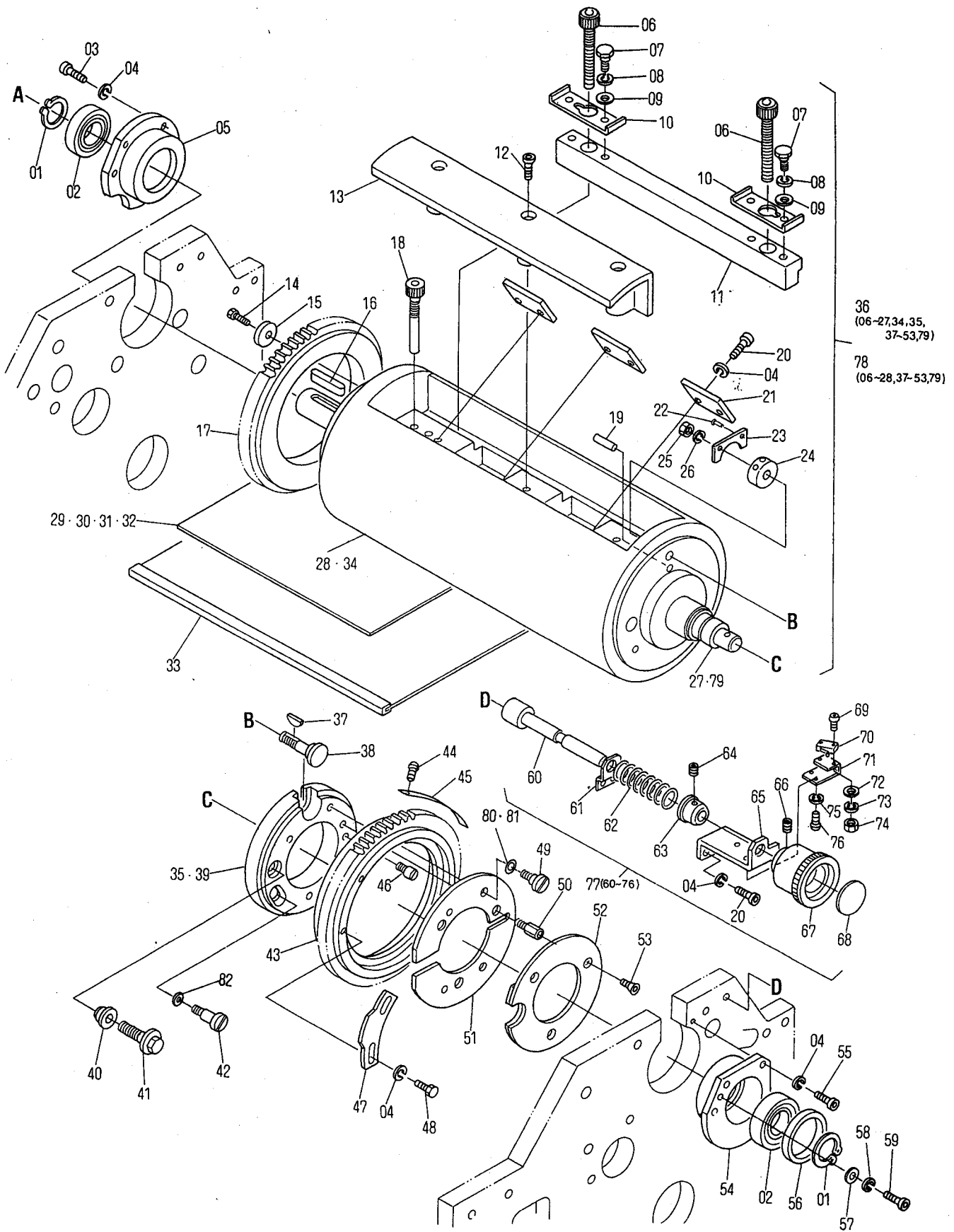
INDEX No.	Parts No.	Description	Remarks	Units Per Assy
01	6902-05044	Collar		1
02	6902-05017	Lever		1
03	6902-05010	Bushing		1
04	117-510	Screw		6
05	145-506	Set Screw		5
06	104-19-01-3	Spring		1
07	223-0640.01	Pin		1
08	180-105	Lock Washer		15
09	CK02-33	Lever Stopper		2
10	181-408	E-Ring		1
11	6902-05018A	Lever		1
12	6902-05029	Bushing	Included in 12	1
13	170-106	Nut		1
14	180-106	Lock Washer		1
15	184-106.4	Flat Washer		1
16	250-126.6	Bearing		1
17	CK08-07	Pin		1
18	6902-05019	Stud Pin		1
19	117-520	Screw		1
20	184-105	Flat Washer		5
21	6902-05045	Eccentric Bushing		1
22	145-356	Set Screw		2
23	6902-14049	Chain		1
24	183-187	Roll Pin		1
25	6902-05032	Chain Sprocket		1
26	122-110	Screw		4
27	6902-05003	Paper Feed Plate		1
28	6902-05022	Bracket		2
29	125-710	Screw		10
30	170-108.3	Nut		1
31	5102-05019	Eccentric Pin		1
32	6902-05004	Spreader		1
33	M04-46-3	Collar		1
34	5102-05045	Roll Pin		2
35	M04-30-3	Head Stop Operating Cam		2
36	M04-32-3	Twist Spring		2
37	183-744	Cotter Pin		2
38	M04-60-3	Screw		1
39	6902-05005A	Head Stop Assy		1
40	M04-59-3	Head Stop Bracket		1
41	6802-05006A	Upper Feed Roller with Bearing		1
42	M04-05-01-3	Upper Feed Roller Pilot Pin		2
43	6902-05030	Sensor Bracket		1
44	6902-05081	Flat Spring		1
45	6902-05071	Spring		1
46	CK02-52	Adjusting Screw	-RS-3K039	1
47	183-181	Roll Pin		1
48	6902-05046	Bracket		1
49	117-358	Screw		2
50	6902-05037	Name Plate		1
51	125-706	Screw		1
52	CK02-65	Name Plate		1
53	CK02-41	Knob	-RS-3K039	1
54	258-651.1	Cam Follower		1
55	M54-37-3	Spacer		1
56	180-108	Lock Washer		1
57	170-108	Nut		1
58	6902-05006A	Upper Feed Roller Operating Arm		1
59	6902-05008	Pilot Pin		1
60	6902-05001A	Upper Feed Roller Frame		1
61	CK02-10	Spring		1
62	223-0620.01	Pin		1
63	180-012	C-Ring		2
64	250-201.6	Lower Feed Roller Bearing		2
65	6902-05002	Lower Feed Roller		1
66	6902-05025	Bushing		1
67	EM04-66	Roll Pin		1
68	6902-05012A	Lever		1
69	6902-05013	Link		1
70	6902-05043	Bushing		2

B

W1020



W1021



Blanket Cylinder

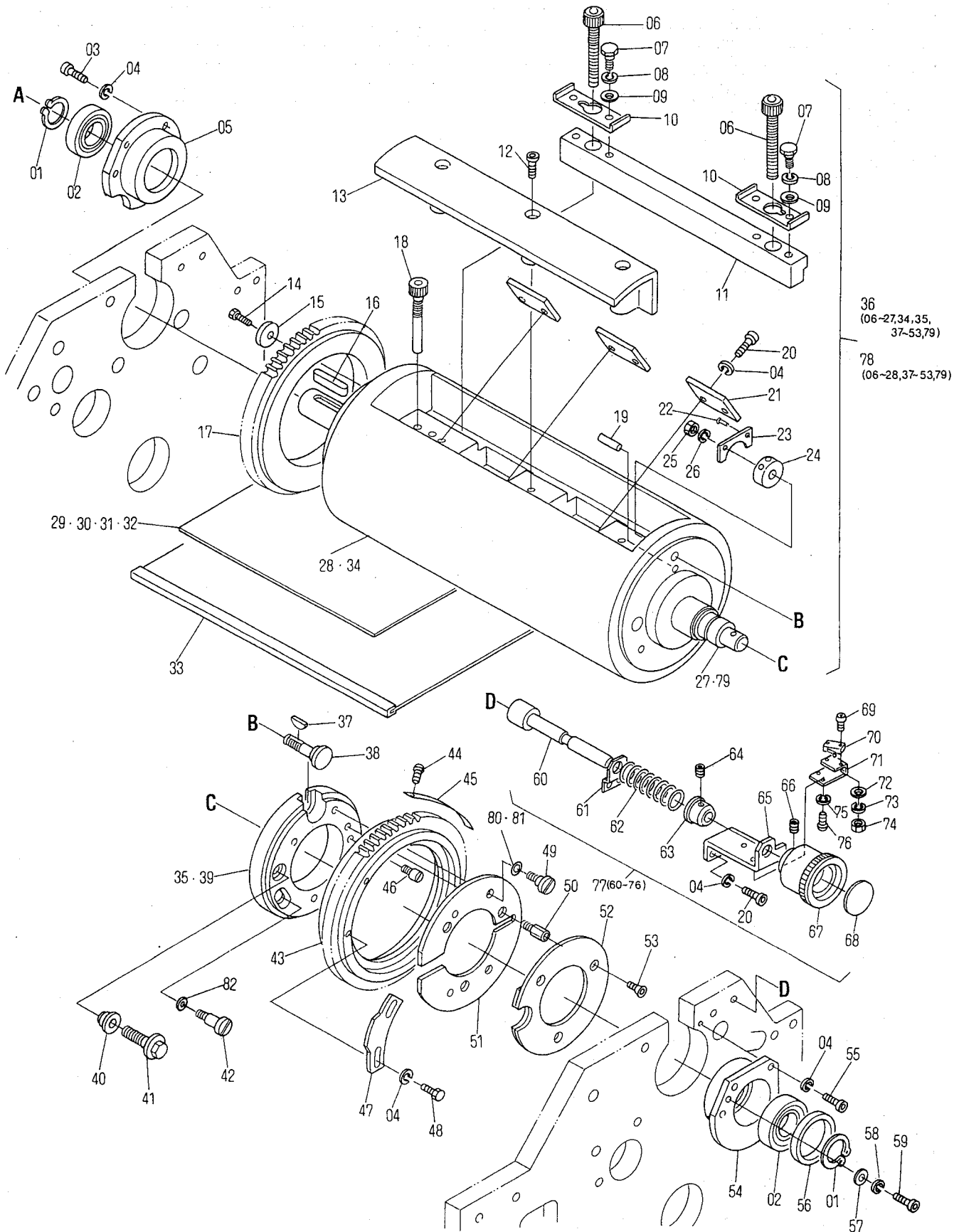
RS34	RS34L	VS34	VS34L
○	○	○	○

W1021

INDEX No.	Parts No.	Description	Remarks	Units Per Assy
01	181-025	C-Ring		2
02	M22-02-3	Bearing	Included in 05, 54	2
03	117-368	Screw		3
04	180-106	Lock Washer		20
05	6902-03025A	Blanket Cylinder Bearing Flange	NOP-S	1
06	117-486.5	Screw		2
07	7202-03041	Screw		2
08	180-176	Lock Washer		2
09	184-106.4	Flat Washer		2
10	7202-03027	Plate		2
11	6902-03065	Clamp Bar		1
12	117-484	Screw		3
13	6902-03004	Balance Weight		1
14	101-470	Screw		3
15	MC02-13	Flanged Washer		3
16	188-074	Key		1
17	CH03-04	Blanket Cylinder Gear	NOP-S	1
18	7202-02012	Screw		1
19	183-205	Roll Pin		1
20	117-365	Screw		6
21	7202-03021	Plate		3
22	H11-50-3	Pin		2
23	6902-03059	Scale		1
24	6902-03058	Handle		1
25	170-108	Nut		1
26	180-108	Lock Washer		1
27	6902-03002	Blanket Cylinder Shaft	Old Type	1
28	6902-03001	Blanket Cylinder		1
29	6902-03061	Blanket Under Packing	SPEC 1	1
30	6902-03062	Blanket Under Packing	SPEC 2	1
31	6902-03063	Blanket Under Packing	SPEC 3	1
32	6902-03064	Blanket Under Packing	SPEC 4	1
33	6902-03060	Blanket		1
34	6902-18001	Blanket Cylinder		1
35	6902-18002	Plate		1
36	6902-18001A	Blanket Cylinder Assy	(06-27, 34, 35, 37-53)	1
37	111-09-3	Key		1
38	6902-03015	Screw		1
39	6902-03035	Plate		1
40	6902-03023	Stopper		1
41	6902-03017	Bolt		1
42	6902-03028	Screw		2
43	6902-03036A	Gear		1
44	125-606	Screw		2
45	MC04-06	Scale		1
46	CM03-20	Screw		1
47	6902-05072	Cam		1
48	101-366	Screw		1
49	CM03-19	Screw		1
50	6902-03014	Stud		3
51	6902-03020	Blanket Cylinder Ring Gear Disk		1
52	6902-03021	Plate		1
53	122-110	Screw		3
54	6902-03024A	Blanket Cylinder Bearing Flange	OP-S	1
55	117-375	Screw		4
56	6902-03029	Spacer		1
57	H37-26-3	Spacer		3
58	180-105	Lock Washer		3
59	117-510	Screw		3
60	6902-03022	Adjustment Shaft		1
61	CM03-14	Plate		1
62	A04-52-3	Spring		1
63	MC03-27	Slide Cam		1
64	145-404	Set Screw		1
65	CM03-11	Bracket		1
66	140-360	Set Screw		1
67	6805-02042A	Adjustment Knob		1
68	6905-04004	Name Plate	Included in 67	1
69	125-620	Screw		2
70	E10-29-3	Safety Switch		1

B

W1021



W1022

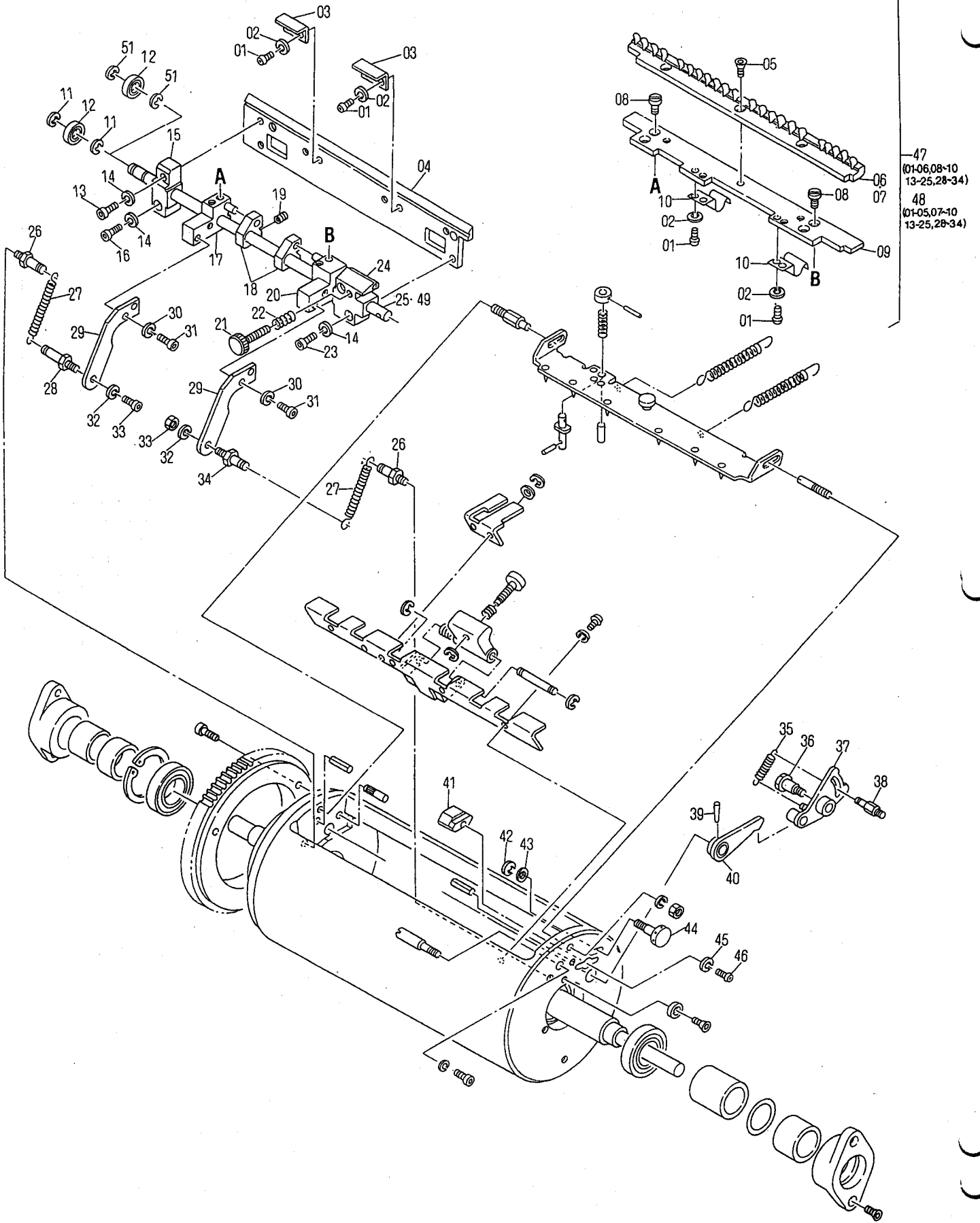


Plate Cylinder (Type - 7B-1
7B-3
17B-3)

RS34	RS34L	VS34	VS34L
○	○	○	○

W1022

INDEX No.	Parts No.	Description	Remarks	Units Per Assy
01	125-655	Screw		8
02	180-104	Lock Washer		8
03	CM14-14	Stopper		2
04	6902-04008A	Plate		1
05	122-055	Screw		3
06	6902-04009	Plate Clamp	On Center Type-17B-3, 7B-3	1
07	6902-17004	Plate Clamp	Off Center Type-7B-1	1
08	CM14-19	Screw		2
09	6902-04007	Plate		1
10	CM14-50	Plate Spring		2
11	181-410	E-Ring		2
12	CM14-13	Bearing		1
13	117-520	Screw		1
14	180-105	Lock Washer		4
15	6902-04015	Block		1
16	117-525	Screw		1
17	CM14-05A	Block		1
18	CM14-32	Block		2
19	147-098	Screw		2
20	6902-04033A	Block		1
21	CM14-25	Screw Knob		1
22	CM14-26	Spring		1
23	117-518	Screw		1
24	6902-04014	Block		1
25	6902-04006	Shaft		1
26	CM14-29	Stud Bolt		2
27	CM14-56	Spring		2
28	6902-04010	Stud Bolt		2
29	6902-04023	Arm		2
30	180-106	Lock Washer		4
31	117-365	Screw		4
32	180-108	Lock Washer		2
33	170-108	Nut		2
34	6902-04032	Stud Bolt		1
35	128-31-3	Spring		1
36	6902-04020	Stud Bolt		1
37	6902-04018	Lever		1
38	6902-04021	Stud Bolt		1
39	182-166	Taper Pin		1
40	6902-04022A	Lever		1
41	6902-04024	Guide Key		1
42	181-404	E-Ring		1
43	184-106	Flat Washer		1
44	6902-04013	Adjusting Screw		1
45	180-105	Lock Washer		1
46	125-715	Screw		1
47	6902-04009B	Head Clamp Bracket Assy	(01-06, 08-10, 13-25, 28-34)	1
48	6902-17004B	Head Clamp Bracket Assy	(01-05, 07-10, 13-25, 28-34)	1
49	6902-17005	Shaft	Type-7B-1, 7B-3	1
50	6902-17006	Shaft	Type-17B-3	1
51	181-012	C-Ring		2
52				
53				
54				
55				
56				
57				
58				
59				
60				
61				
62				
63				
64				
65				
66				
67				
68				
69				
70				

W1023

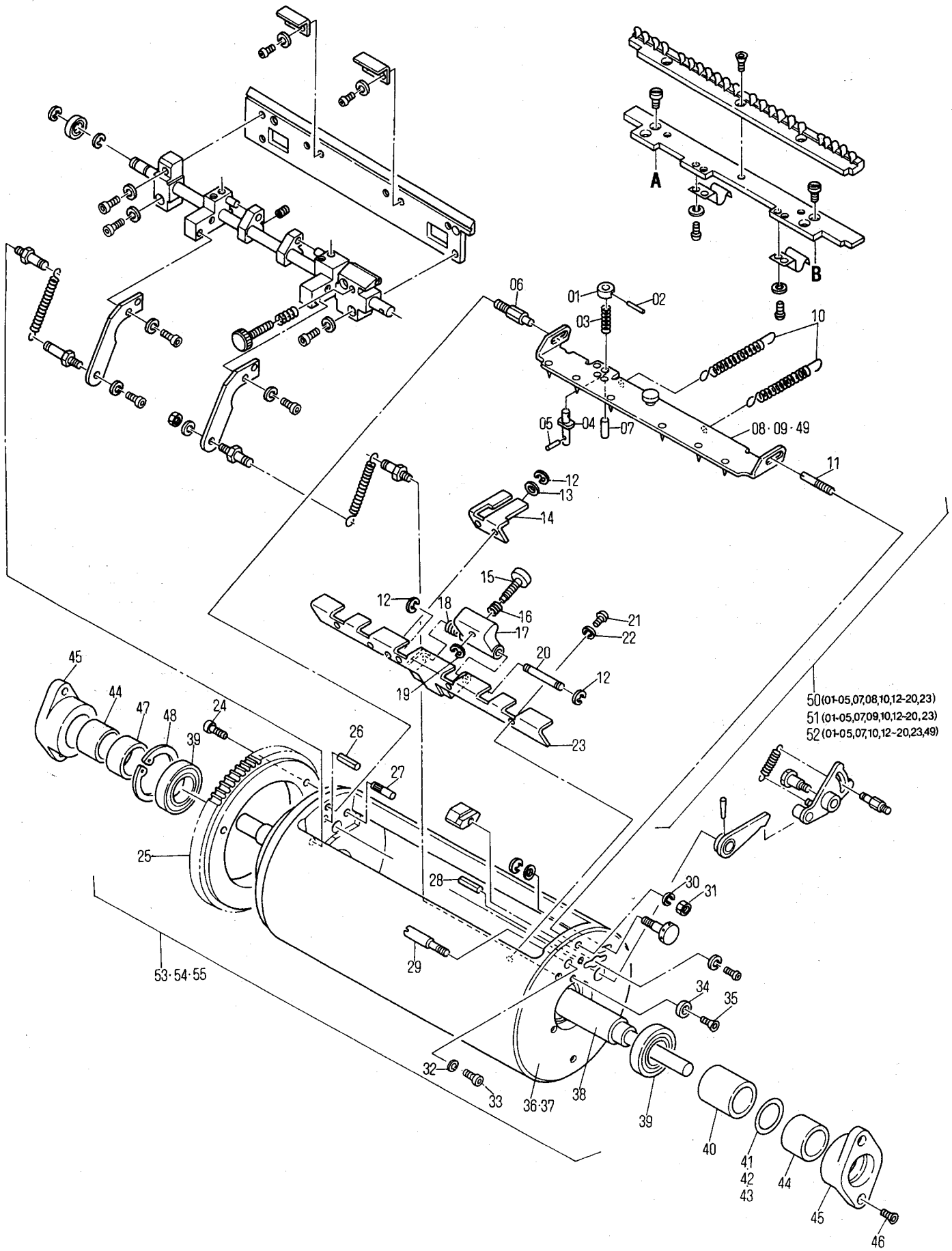


Plate Cylinder (Type - 7B-1
7B-3
17B-3)

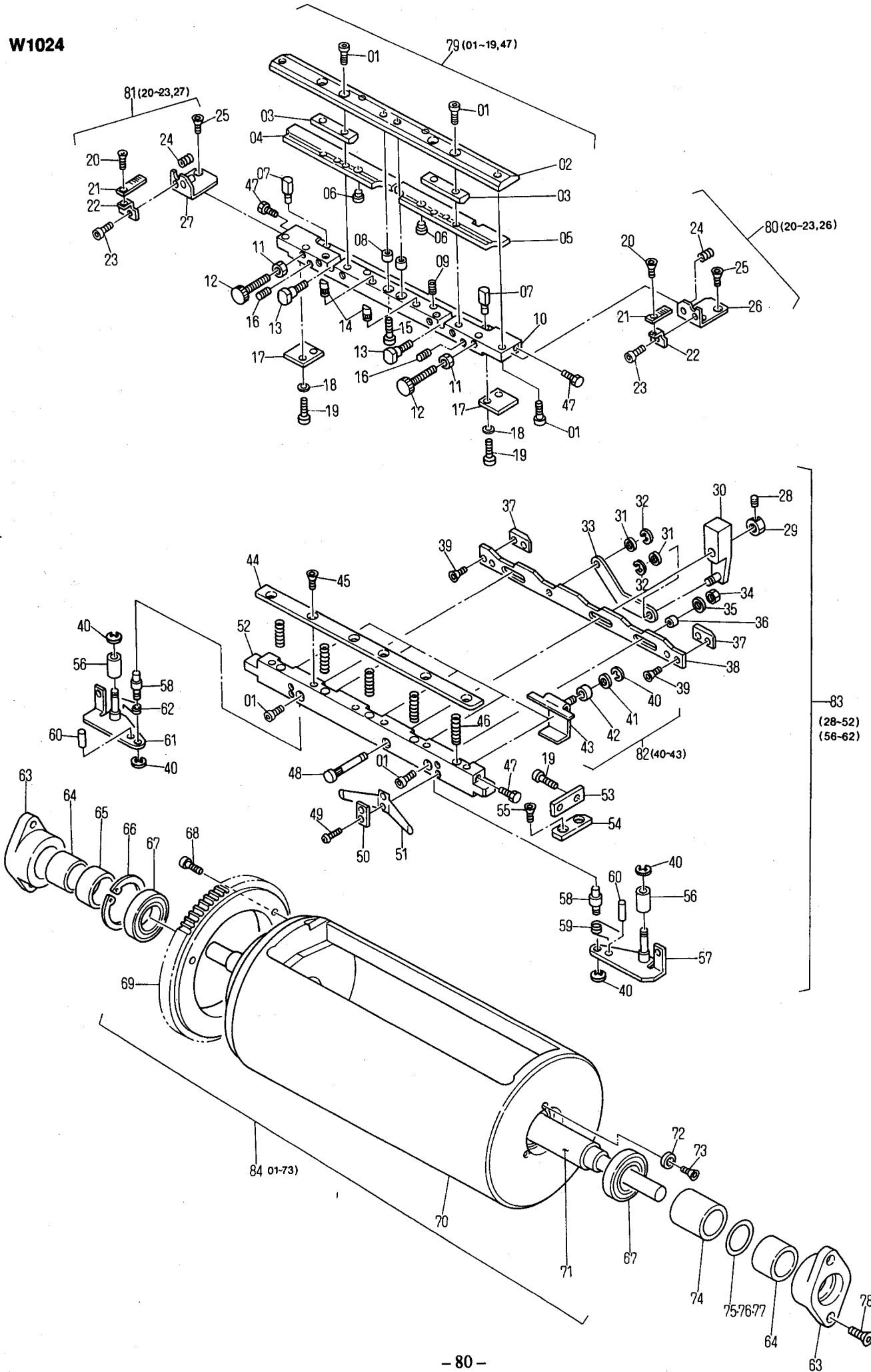
RS34	RS34L	VS34	VS34L
○	○	○	○

W1023

INDEX No.	Parts No.	Description	Remarks	Units Per Assy
01	CM14-18	Knob		1
02	183-153.01	Roll Pin		1
03	CM14-40	Spring		1
04	CM14-17	Rock Pin		1
05	183-181.01	Roll Pin		1
06	6902-04011	Pin		1
07	181-148	Roll Pin		1
08	6902-04003A	Guide Plate	On Center	Type-17B-3
09	6902-17003A	Guide Plate	Off Center	Type-7B-1
10	CM14-21	Spring		2
11	6902-04016	Pin		1
12	181-405	E-Ring		4
13	184-106.3	Flat Washer		2
14	6902-04012	Lock Plate		1
15	6902-04004	Adjusting Screw		1
16	CM14-40	Spring		1
17	CM14-47	Support Plate Bracket		1
18	H31-13-3	Spring		1
19	181-403	E-Ring		1
20	MC14-15	Pin		1
21	125-710	Screw		4
22	180-105	Lock Washer		4
23	6902-04002A	Support Plate		1
24	117-472	Screw		3
25	CM04-02	Plate Cylinder Gear		1
26	183-211	Roll Pin		1
27	M04-74-3	Pin		1
28	183-207	Roll Pin		1
29	6902-04017	Pin		1
30	180-106	Lock Washer		1
31	170-106	Nut		1
32	180-108	Lock Washer		1
33	170-108	Nut		1
34	MC03-05	Flat Washer		3
35	122-112	Screw		3
36	6902-04001	Plate Cylinder	(Plate Length=492mm)	Cylinder Type-17-B
37	6902-17001	Plate Cylinder	(Plate Length=458, 472mm)	Cylinder Type-7B-1, 7B-3
38	6902-04004	Plate Cylinder Shaft		1
39	CM02-24	Bearing		2
40	6802-04050	Spacer		OP-S
41	6802-04051	Shim	t=0.1	—
42	6802-04052	Shim	t=0.2	—
43	6802-04053	Shim	t=0.5	—
44	6802-04067	Bushing	Included in 45	2
45	6902-04025A	Plate Cylinder Bushing Bracket		2
46	122-168	Screw		2
47	6902-04049	Spacer		NOP-S
48	181-255	C-Ring		1
49	6902-17002A	Guide Plate	On Center	Type-7B-3
50	6902-04003B	Tail Clamp Bracket Assy	(01-05, 07, 08, 10, 12-20, 23)	1
51	6902-17002C	Tail Clamp Bracket Assy	(01-05, 07, 09, 10, 12-20, 23)	1
52	6902-17003C	Tail Clamp Bracket Assy	(01-05, 07, 10, 12-20, 23, 49)	1
53	6902-04001A	Plate Cylinder Assy		Type-17B-3
54	6902-17001A	Plate Cylinder Assy		Type-7B-3
55	6902-17001B	Plate Cylinder Assy		Type-7B-1
56				
57				
58				
59				
60				
61				
62				
63				
64				
65				
66				
67				
68				
69				
70				

B

W1024



RS34	RS34L	VS34	VS34L
○	○	○	○

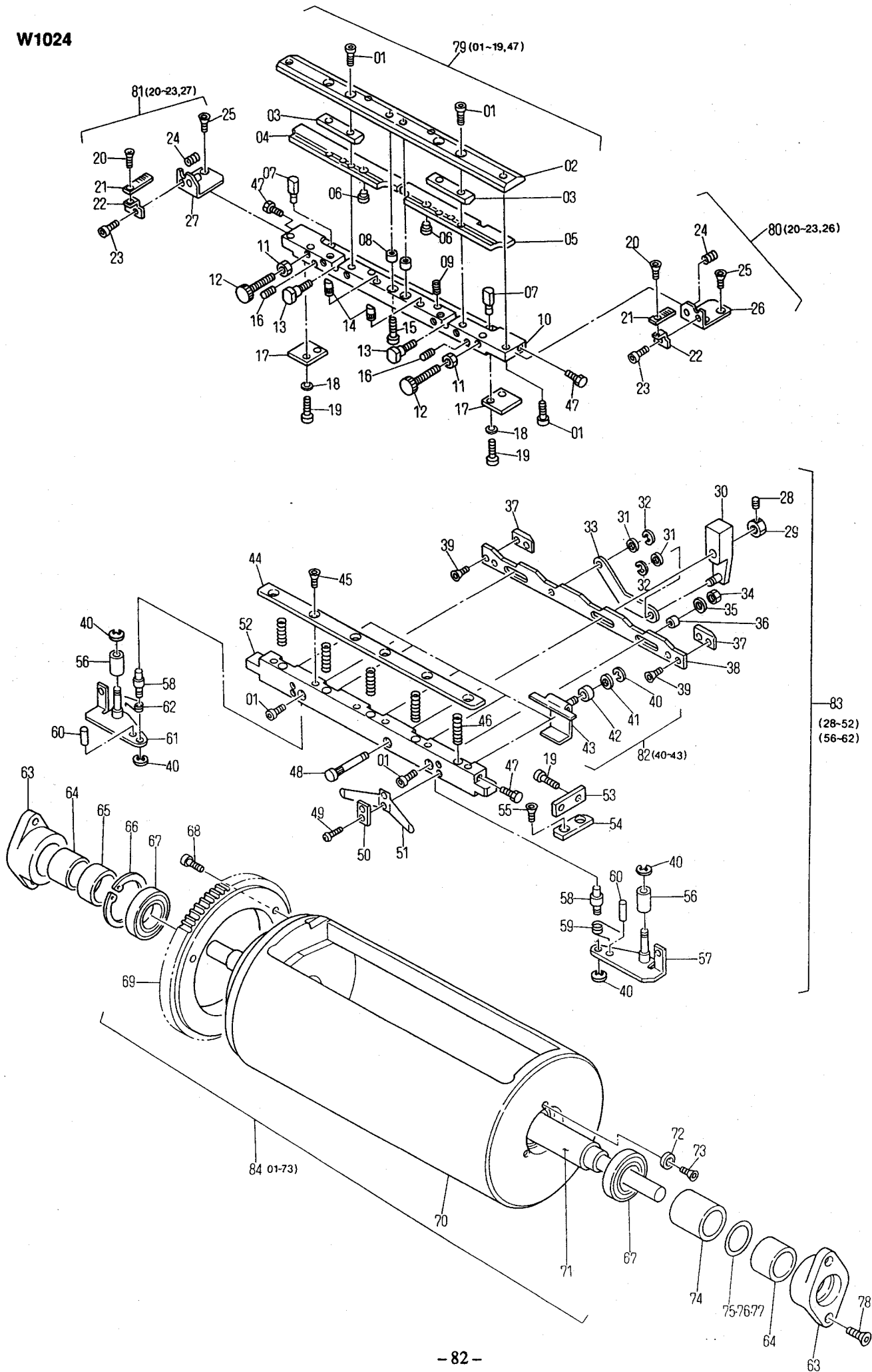
Plate Cylinder (Type 3)

W1024

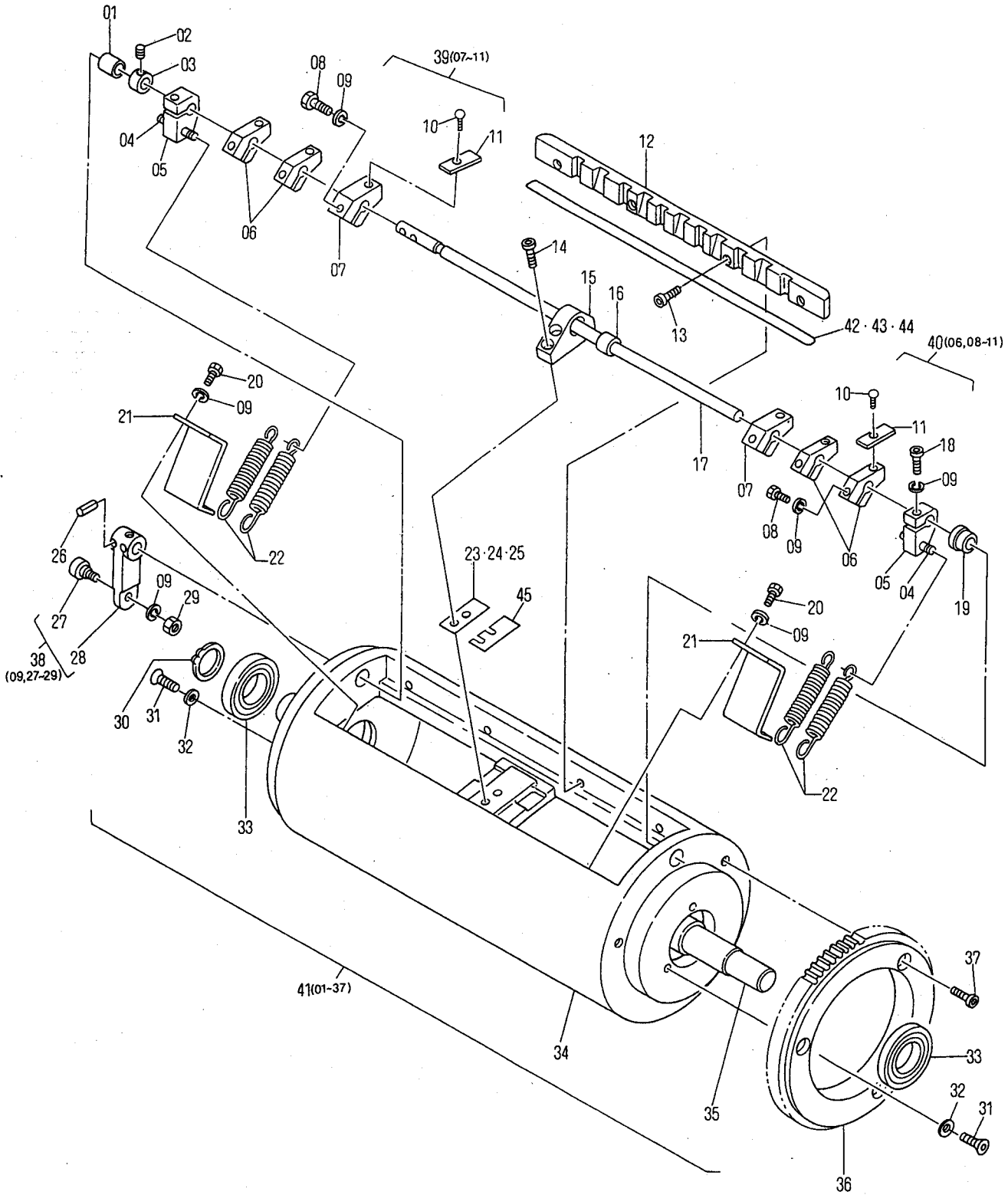
INDEX No.	Parts No.	Description	Remarks	Units Per Assy
01	117-522	Screw		2
02	6902-16003	Plate Clamp		1
03	6902-16011	Pivot Block		2
04	6902-16005A	Plate Clamp	NOP-S	1
05	6902-16004A	Plate Clamp	OP-S	1
06	6902-16012	Pin	Included in 04, 05	2
07	6902-16013	Pin		2
08	6902-16006	Spacer		2
09	I02-30-3	Spring		4
10	6902-16002A	Plate Clamp Bracket		1
11	170-106	Nut		2
12	6902-16016	Adjusting Screw		2
13	6902-16010	Clamping Screw		2
14	6902-16014	Pin	Included in 10	2
15	117-525	Screw		2
16	145-408	Set Screw		2
17	6902-16009	Guide Bracket		2
18	180-104	Lock Washer		2
19	117-410	Screw		6
20	122-006	Screw		2
21	6902-16031	Scale		2
22	6902-16033	Bracket		2
23	117-408	Screw		2
24	5204-05010	Spring		2
25	122-060	Screw		4
26	6902-16008A	Bracket	OP-S	1
27	6902-16007A	Bracket	NOP-S	1
28	145-404	Set Screw		1
29	A03-93-3	Collar		1
30	4207-04001A	Release Lever		1
31	184-108	Flat Washer		2
32	181-406	E-Ring		2
33	6902-16023	Release Link		1
34	I31-10-3	U-Nut		2
35	184-105	Flat Washer		2
36	I08-29-3	Spacer		2
37	6902-16020	Tension Release Cam		2
38	6902-16019A	Tail Clamp Actuating Plate		1
39	122-056	Screw		4
40	181-404	E-Ring		7
41	184-106.2	Flat Washer		5
42	I08-28-3	Spacer		5
43	I08-24-1A-3	Plate Gripper Finger		5
44	6902-16018	Serrated Anvil for Head Clamp		1
45	122-110	Screw		6
46	I08-49-3	Spring		5
47	101-370	Screw		4
48	6902-16030	Shoulder Pin		1
49	125-710	Screw		4
50	I08-47-3	Rectangular Washer		2
51	I08-46-3	Plate Tension Spring		2
52	6902-16017A	Tail Clamp Bracket		1
53	6902-16022	Guide Bracket		2
54	6902-16021	Guide Bracket		2
55	122-062	Screw		4
56	I08-45-3	Tension Release Cam Roller		2
57	6902-16025A	Cam Roller Bracket	OP-S	1
58	6902-16024	Stud Pin	Included in 52	2
59	6902-16028	Spring		1
60	183-167	Roll pin	Included in 52	2
61	6902-16026A	Cam Roller Bracket	NOP-S	1
62	6902-16029	Spring		1
63	6902-04025A	Plate Cylinder Bushing Bracket		2
64	6902-04067	Bushing	Included in 63	2
65	6802-04049	Spacer		1
66	181-255	C-Ring		1
67	CM02-24	Bearing		2
68	117-472	Screw		3
69	CM04-02	Gear		1
70	6902-16001	Plate Cylinder		1

B

W1024



W1025



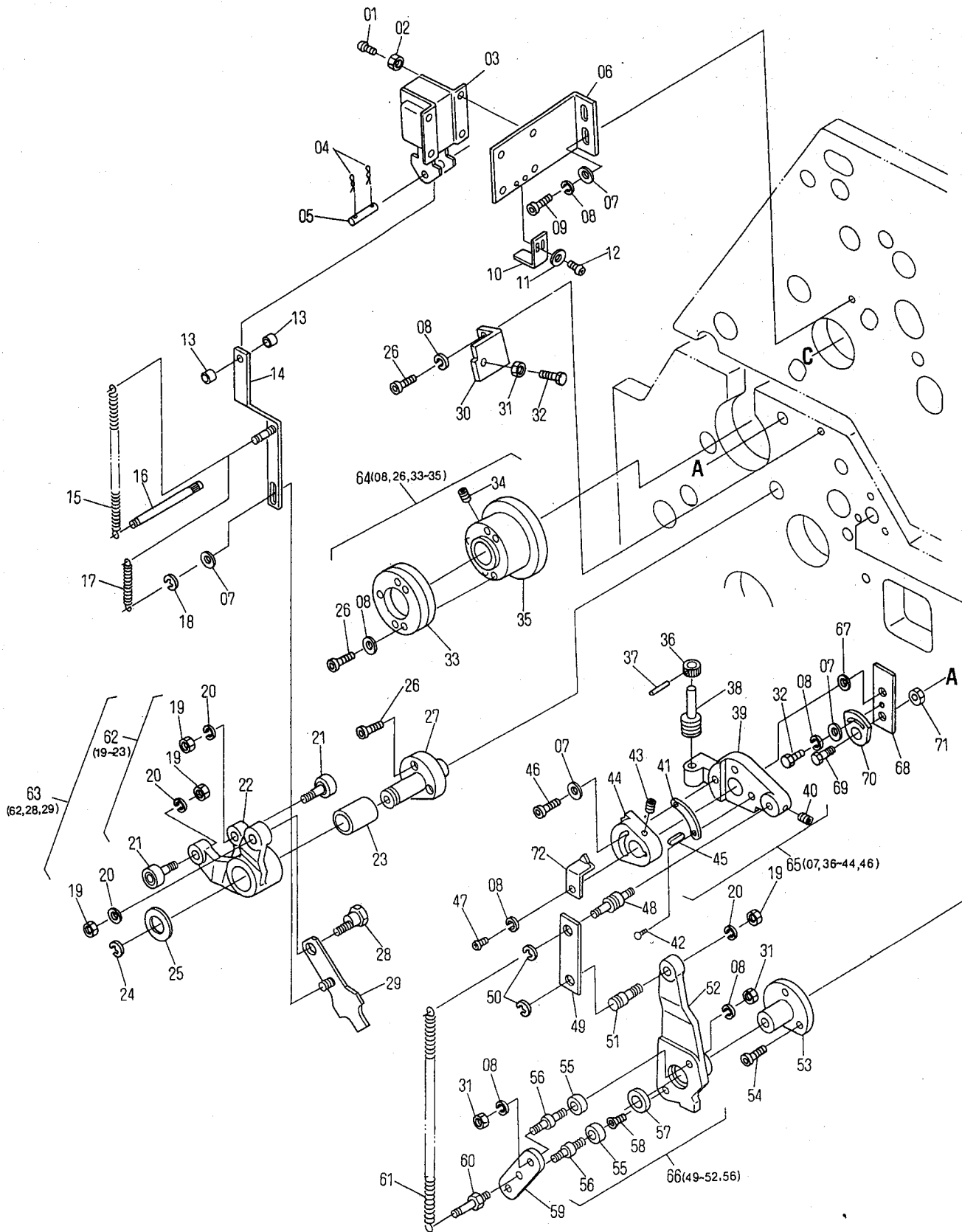
Impression Cylinder

RS34	RS34L	VS34	VS34L
○	○	○	○

W1025

B

INDEX No.	Parts No.	Description	Remarks	Units Per Assy
01	6902-02028	Bushing		1
02	145-355	Set Screw		1
03	185-1212.04	Collar		1
04	CM02-42	Pin	Included in 05	4
05	CM02-41A	Bracket		2
06	MC02-49	Stopper		4
07	6902-02030	Stopper		2
08	101-375	Screw		6
09	180-106	Lock Washer		11
10	CM02-22-1	Screw		6
11	CM02-22	Impression Gripper Finger		6
12	6902-02019	Anvil		1
13	117-512	Screw		4
14	117-375	Screw		2
15	6902-02005A	Bracket		1
16	6902-02025	Bushing	Included in 15	1
17	6902-02007	Impression Gripper Shaft		1
18	101-370	Screw		2
19	M02-10-01-3	Bushing		1
20	101-362	Screw		2
21	6902-02010	Bracket		2
22	6902-02015	Spring		4
23	6902-02022	Shim	t=0.03	—
24	6902-02023	Shim	t=0.05	—
25	6902-02024	Shim	t=0.1	—
26	182-166	Taper Pin		2
27	258-650.3	Cam Follower		1
28	6902-02014	Gripper Shaft Operating Arm for Impression		1
29	170-106	Nut		1
30	181-030	C-Ring		1
31	122-112	Screw		6
32	MC03-05	Washer		6
33	CM02-24	Bearing		2
34	6902-02001	Impression Cylinder		1
35	6902-02002	Impression Cylinder Shaft		1
36	6902-02020	Gear		1
37	117-470	Screw		3
38	6902-02014A	Gripper Shaft Operating Arm for Impression (09, 27~29)		1
39	6902-02030A	Impression Gripper Finger Assy (07~11)		2
40	CM02-22A	Impression Gripper Finger Assy (06, 08~11)		4
41	6902-02001B	Impression Cylinder Assy (01~37)		1
42	6902-02032	Shim (t=0.02)		—
43	6902-02033	Shim (t=0.03)		—
44	6902-02034	Shim (t=0.05)		—
45	6902-02037	Shim (t=0.2)		—
46				
47				
48				
49				
50				
51				
52				
53				
54				
55				
56				
57				
58				
59				
60				
61				
62				
63				
64				
65				
66				
67				
68				
69				
70				



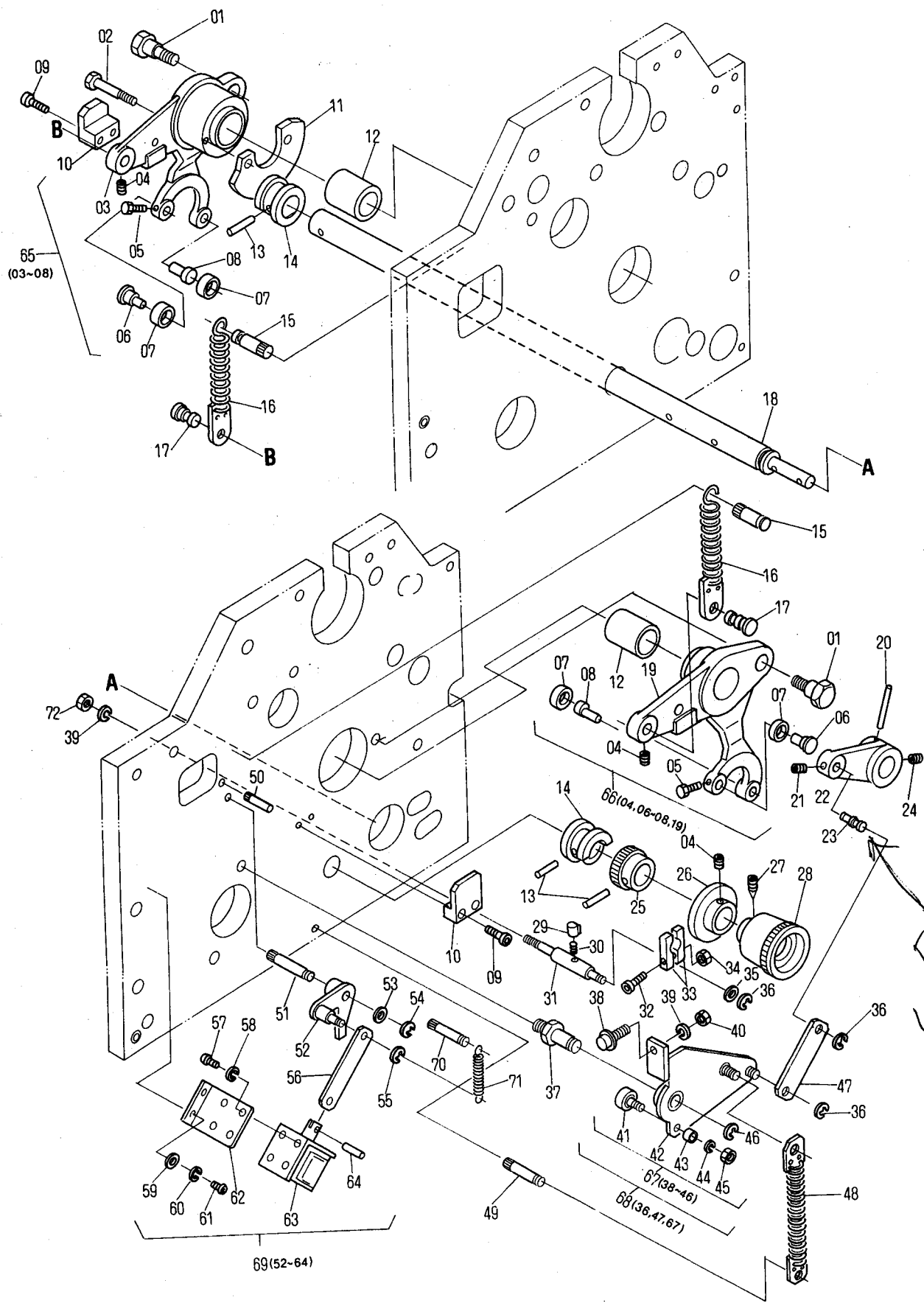
RS34	RS34L	VS34	VS34L
○	○	○	○

**Main Press Section
P-B Pressure Mechanism**

W1026

INDEX No.	Parts No.	Description	Remarks	Units Per Assy
01	125-660	Screw		4
02	180-104	Lock Washer		4
03	E09-60-01-3	Solenoid		1
04	6801-03014	Snup Pin		2
05	6801-03013	Pin		1
06	6902-11008	Solenoid Bracket		1
07	184-106	Flat Washer		4
08	180-106	Lock Washer		11
09	117-312	Screw		2
10	5103-08116	Stopper		1
11	184-103	Flat Washer		2
12	125-606	Screw		2
13	H03-36-3	Spacer		2
14	6902-11006A	Link		1
15	H08-13-3	Spring		1
16	7203-08035	Pin		1
17	I04-30-3	Spring		1
18	181-404	E-Ring		1
19	170-108	Nut		4
20	180-108	Lock Washer		4
21	258-651.2	Cam Follower		2
22	6902-11002A	Lever		1
23	241-1628.2	Bushing	Included in 22	1
24	181-412	E-Ring		1
25	184-116	Flat Washer		1
26	117-365	Screw		6
27	6902-11007	Stud Pin		1
28	6902-11009	Eccentric Pin		1
29	6902-11010A	Selector		1
30	6802-03034	Stopper Bracket		1
31	170-106	Nut		3
32	101-370	Screw		2
33	6902-11004	Cam		1
34	145-360	Set Screw		1
35	6902-11003	Cam		1
36	M02-40-3	Knob		1
37	183-140	Roll Pin		1
38	6802-04059	Adjustment Worm		1
39	6802-04060C	Lever		1
40	145-508	Set Screw		1
41	6802-04061	Scale	Included in 39	1
42	M02-38-3	Screw	Included in 39	2
43	141-358	Set Screw		1
44	6802-04058	Adjustment Sector		1
45	188-027	Key		1
46	117-375	Screw		1
47	125-760	Screw		1
48	6802-04045	Pin		1
49	6802-11015	Link		1
50	181-408	E-Ring		2
51	6802-03037	Stud Bolt		1
52	6902-11001	Lever		1
53	6802-03033	Pivot Stud		1
54	117-362	Screw		3
55	5802-11021	Spacer		2
56	5802-11082	Stud Bolt		2
57	6802-03032	Washer		1
58	122-160	Screw		1
59	6802-03039	Bracket		1
60	6802-11014	Stud Bolt		1
61	6802-11011	Spring		1
62	6902-11002B	Lever Assy	(19-23)	1
63	6902-11002C	Lever with a Selector	(28, 29, 62)	1
64	6902-11003A	Cam Assy	(08, 26, 33-35)	1
65	6802-04060B	Lever Assy	(07, 36-44, 46)	1
66	6902-11001A	Lever Assy	(49-52, 56)	1
67	6803-08051	Bushing	Included in 68	1
68	6803-08002A	Tie Bar		1
69	6903-08017	Shoulder Screw		1
70	G03-41-3	Adjustment Sector		1
71	PC03-44	Spacer		1
72	MC04-16	Scale Pointer		1

B



FALLS OUT
LOOSE IMP.

RS34	RS34L	VS34	VS34L
○	○	○	○

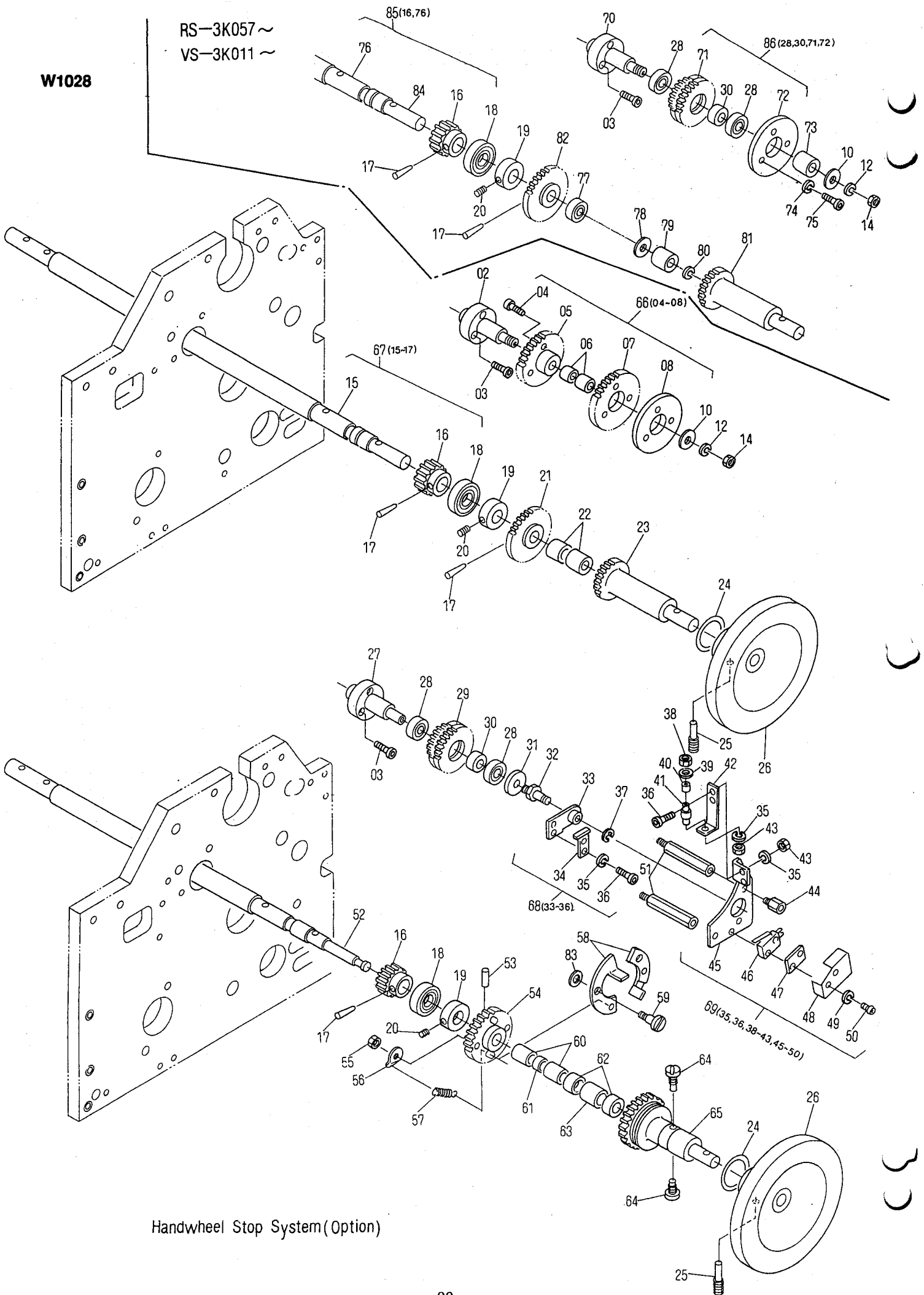
Press Section
Impression Operating Lever and Image Adjustment Knob

W1027

INDEX No.	Parts No.	Description	Remarks	Units Per Assy
01	6902-02029	Shoulder Screw		2
02	117-382	Screw		2
03	6902-02004A	Impression Operating Lever	NOP-S	1
04	145-508	Set Screw		2
05	101-510	Screw		4
06	CM02-14	Eccentric Pin		2
07	CM02-16	Cam Follower		4
08	CM02-15	Eccentric Pin		2
09	117-525	Screw		4
10	6902-02009	Bracket		2
11	6902-02031	Impression Gripper Operating Cam		1
12	CM02-40	Bushing	Included in 03, 19	2
13	183-229	Roll Pin		2
14	CM02-26	Eccentric Impression Cam		2
15	CM02-55	Pin		2
16	CM02-56A	Spring Assy		2
17	CM02-54	Pin		2
18	6902-02012	Impression Adjustment Shaft		1
19	6902-02003A	Impression Operating Lever	OP-S	1
20	182-191	Roll Pin		1
21	145-505	Set Screw		1
22	6902-02008A	Impression Operating Lever		1
23	6902-10005	Pin	Included in 22	1
24	145-510	Set Screw		1
25	CM02-19	Stopper		1
26	CM02-17	Impression Adjustment Dial		1
27	140-356	Set Screw		1
28	6902-02027	Impression Adjustment Knob		1
29	102-29-3	Snubber		1
30	102-30-3	Snubber Spring		1
31	6802-03125	Snubber Shaft		1
32	117-383	Screw		1
33	CM02-57	Brake Shoe		2
34	131-11-3	Nut		1
35	184-110	Flat Washer		1
36	181-408	E-Ring		1
37	6902-10004	Impression Lever Stud		1
38	M02-59-3	Adjustable Latch		1
39	180-108	Lock Washer		2
40	118-60-3	Nut		1
41	258-650.3	Impression Cam Follower		1
42	6902-10001A	Impression Lever		1
43	X04-24-3	Spacer		1
44	180-106	Lock Washer		1
45	170-106	Nut		1
46	181-410	E-Ring		1
47	6902-10002	Link		1
48	6902-10012A	Spring Assy		1
49	6902-10007	Pin		1
50	X06-51-3	Pin		1
51	224-0832.01	Pin		1
52	6902-10010A	Impression Lever		1
53	184-108	Flat Washer		1
54	181-406	E-Ring		1
55	181-404	E-Ring		1
56	CM11-27	Link		1
57	125-608	Screw		4
58	180-103	Lock Washer		4
59	184-105	Flat Washer		2
60	180-105	Lock Washer		2
61	125-710	Screw		2
62	6902-10009	Solenoid Bracket		1
63	E09-25-3	Solenoid		1
64	183-181	Roll Pin		1
65	6902-02004B	Impression Operating Lever Assy	(03-08) NOP-S	1
66	6902-02003B	Impression Operating Lever Assy	(04, 06-08, 19) OP-S	1
67	6902-10001B	Impression Lever Assy	(38-46)	1
68	6902-10001C	Impression Lever Assy	(36, 47, 67)	1
69	6902-10009A	Solenoid Assy	(52-64)	1
70	4808-04029	Pin		1
71	H65-83-3	Spring		1
72	170-108	Nut		1

W1028

RS-3K057 ~
VS-3K011 ~



Handwheel Stop System (Option)

RS34	RS34L	VS34	VS34L
○	○	○	○

Drive Shaft and Handwheel

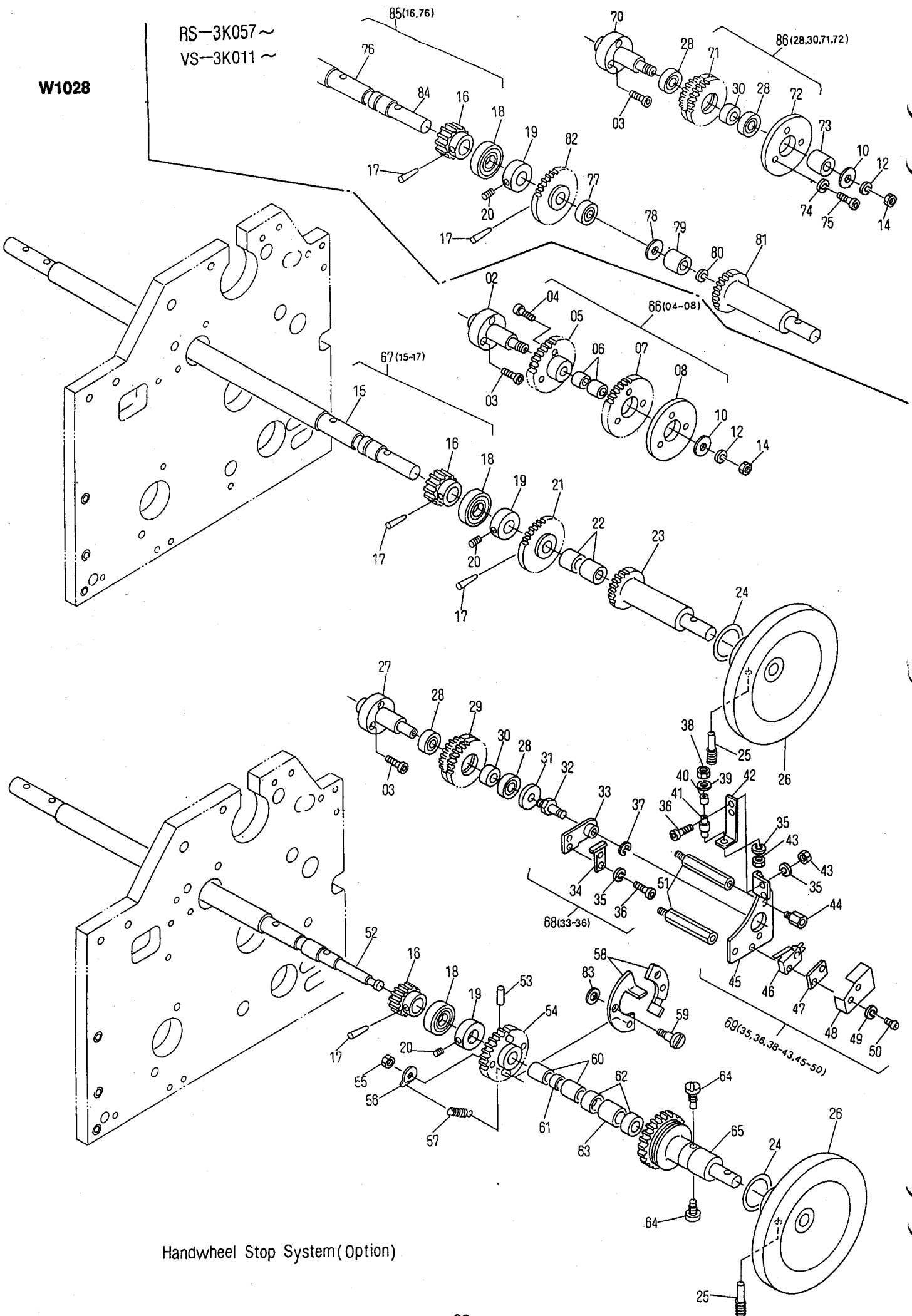
W1028

INDEX No.	Parts No.	Description	Remarks	Units Per Assy
01	6902-14057	Shaft	~ RS-3H007	1
02	6902-14061	Shaft	RS-3I008 ~	1
03	117-370	Screw		3
04	117-518	Screw		3
05	M25-15-1A-3	Idler Gear Inside		1
06	243-617	Bushing	Included in 05	2
07	M25-17-3	Idler Gear Outside		1
08	M25-18-3	Retainer		1
09	184-110	Flat Washer	~ RS-3H007	1
10	184-108	Flat Washer	RS-3I008 ~	1
11	180-110	Lock Washer	~ RS-3H007	1
12	180-108	Lock Washer	RS-3I008 ~	1
13	170-110	Nut	~ RS-3H007	1
14	170-108	Nut	RS-3I008 ~	1
15	6902-14058	Drive Shaft		1
16	6902-14026	Drive Gear	Included in 52, 67	1
17	182-189	Taper Pin		3
18	6902-14007	Bearing		1
19	G02-05-01-3	Collar		2
20	145-358	Set Screw		2
21	M25-14-3	Gear		1
22	243-634	Bushing	Included in 23	2
23	6902-14056A	Hand Wheel Drive Gear		1
24	324-344	O-Ring		2
25	M05-10-3	Pilot Screw		4
26	6902-14055A	Hand Wheel		2
27	6902-21005	Shaft		1
28	250-001.6	Bearing	Included in 29	2
29	6902-21009A	Gear		1
30	6902-21010	Spacer	Included in 29	1
31	A17-22-3	Spacer		1
32	6902-21008	Stud		1
33	M26-13-1A-3	Limit Switch Cam		1
34	M26-14-3	Bracket		1
35	180-104	Lock Washer		2
36	117-410	Screw		4
37	181-404	E-Ring		1
38	170-103	Nut		1
39	184-103	Flat Washer		1
40	M11-13-3	Bearing		1
41	M11-17-3	Stud		1
42	M26-11-3	Snubber Bracket		1
43	170-104	Nut		1
44	5201-06060	Stud Pin		1
45	M26-06-3	Bracket		1
46	E10-49-3	Limit Switch		1
47	CK13-15	Spacer		1
48	M26-26-3	Cover		1
49	180-103	Lock Washer		2
50	125-620	Screw		2
51	6902-21007	Stud Bolt		2
52	6902-21006A	Dive Shaft		1
53	183-209	Roll Pin		1
54	M26-05-3	Gear		1
55	170-105	Nut		2
56	M11-14-3	Washer		2
57	H03-35-3	Spring		2
58	H11-02-3	Stopper		2
59	M11-04-3	Screw		2
60	M11-09-3	Inner Sleeve	Included in 52	2
61	M26-18-3	Spacer	Included in 52	1
62	M11-08-3	Needle Bearing	Included in 65	2
63	M11-06-3	Spacer	Included in 65	1
64	M11-29-3	Screw		2
65	6902-21004A	Hand Wheel Drive Gear		1
66	M25-18-1A-3	Idler Gear Assy	(04 ~ 08)	1
67	6902-14058A	Drive Shaft Assy	(15 ~ 17)	1
68	M26-13-1B-3	Limit Switch Cam Assy	(33 ~ 36)	1
69	M26-06-1A-3	Limit Switch Assy	(35, 36, 38 ~ 43, 45 ~ 50)	1
70	6902-14066	Shaft		1

B

W1028

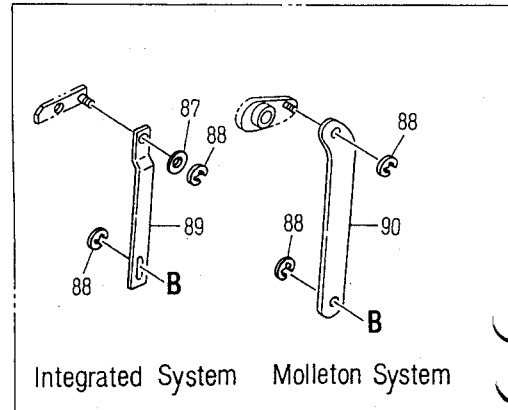
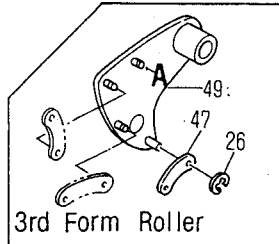
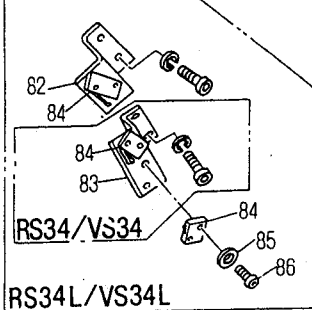
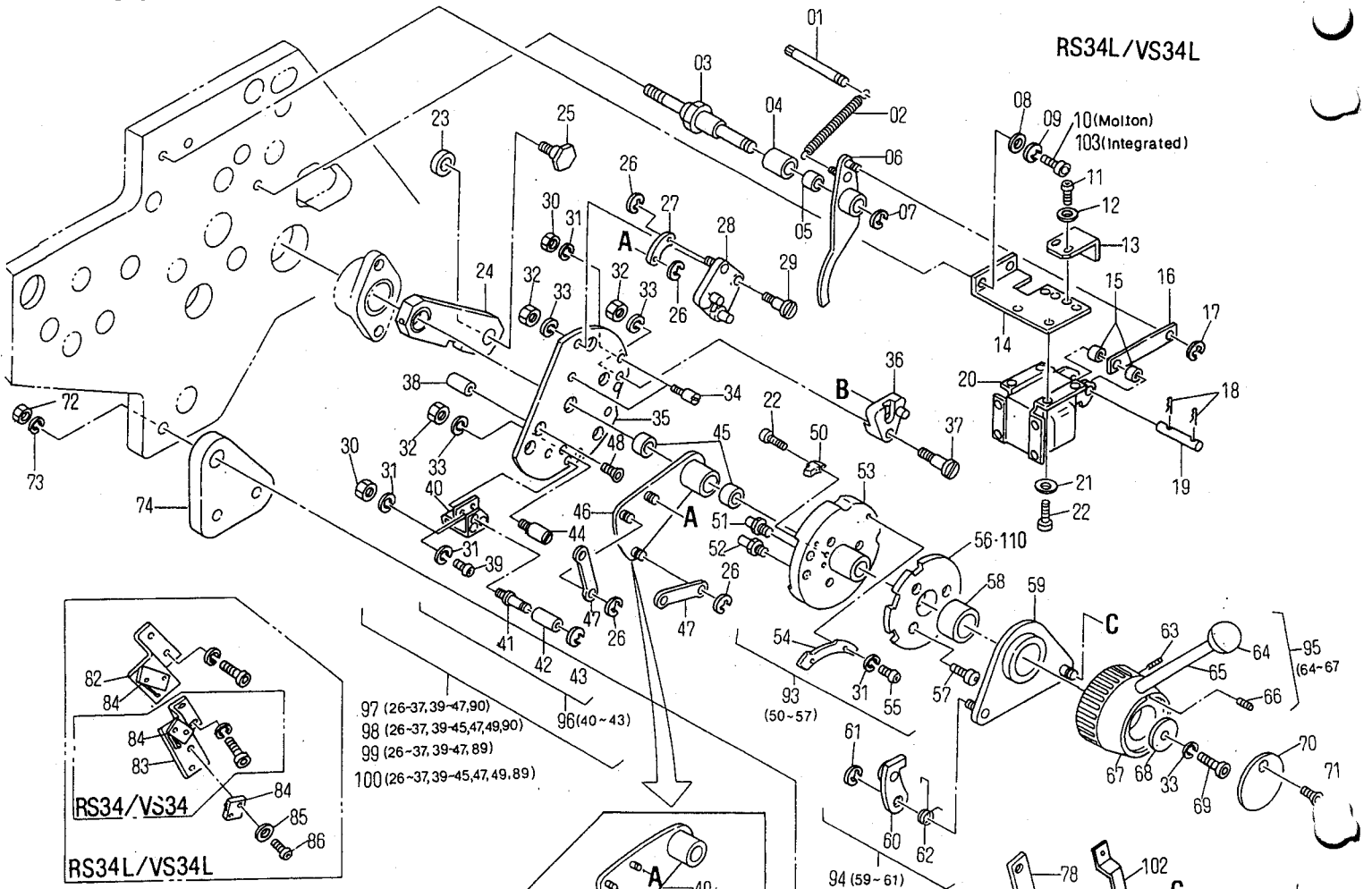
RS-3K057 ~
VS-3K011 ~



Handwheel Stop System (Option)

W1029

RS34L/VS34L



97 (26-37,39-47,90)
 98 (26-37,39-45,47,49,90)
 99 (26-37,39-47,89)
 100 (26-37,39-45,47,49,89)

RS34/VS34

RS34	RS34L	VS34	VS34L
○	○	○	○

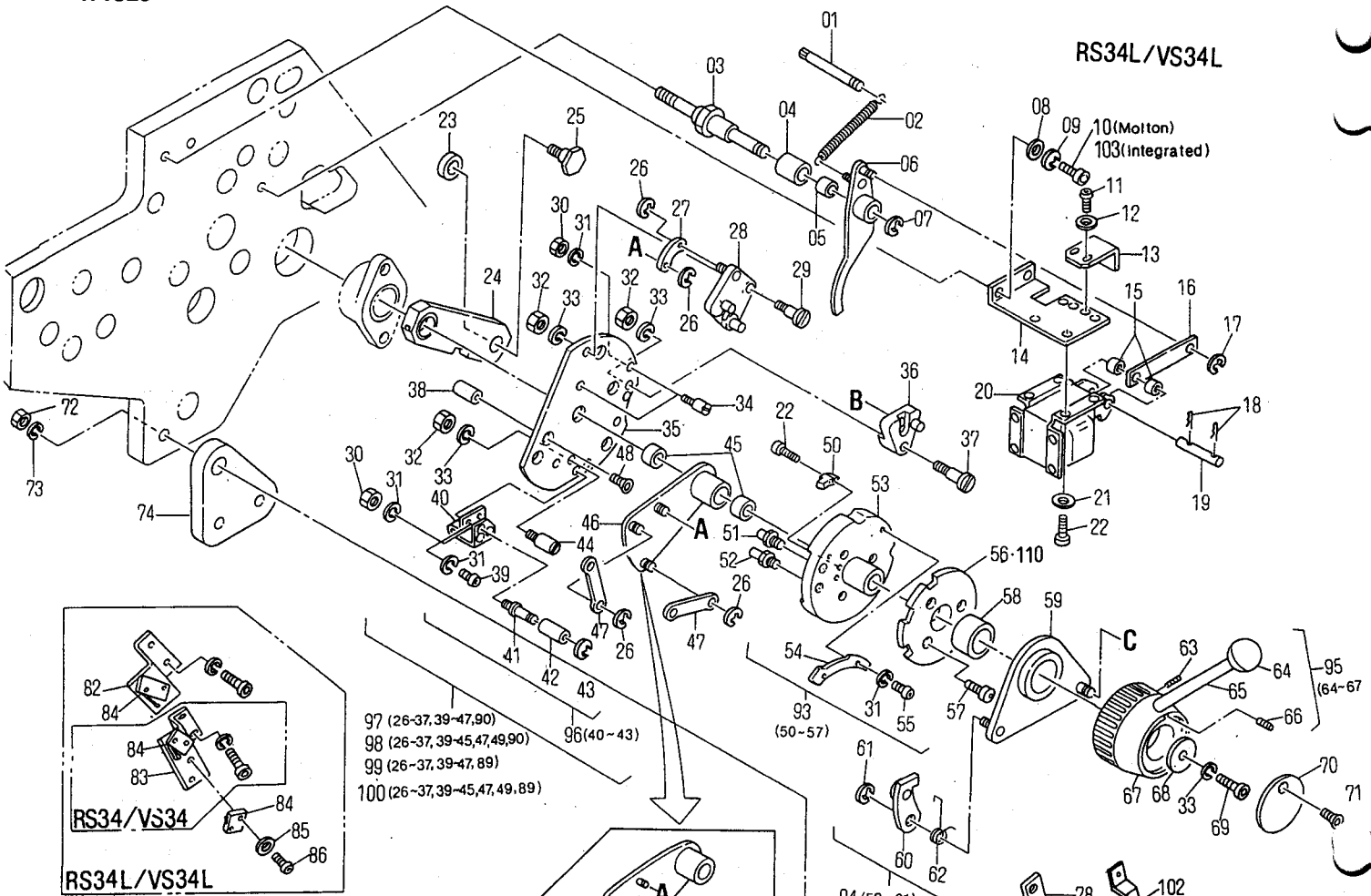
**Inking Section
Single Lever Mechanism**

W1029

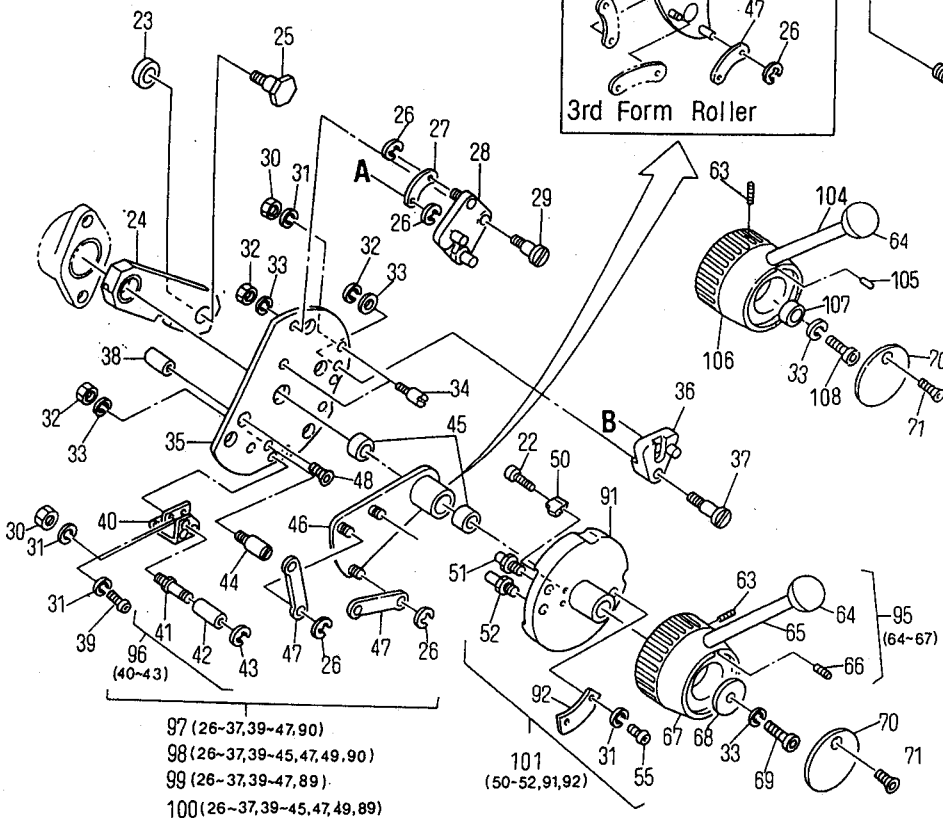
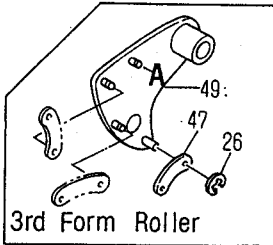
INDEX No.	Parts No.	Description	Remarks	Units Per Assy
01	7203-08035	Pin		1
02	5201-11048	Spring		1
03	6903-08007	Pivot Stud		1
04	I22-33-3	Spacer		1
05	243-619	Bushing	Included in 06	2
06	6803-08018B	Latch Release Lever		1
07	181-410	E-Ring		1
08	184-105	Flat Washer		2
09	180-105	Lock Washer		6 (4)
10	117-510	Screw		6 (4)
11	125-606	Screw		2
12	184-103	Flat Washer		2
13	5103-08116	Stopper		1
14	6803-08050	Solenoid Bracket		1
15	H03-36-3	Spacer		2
16	6803-08049	Link		1
17	181-404	E-Ring		1
18	6801-03014	Snup Pin		2
19	6801-03013	Pin		1
20	E09-60-3	Solenoid		1
21	184-104	Flat Washer		4
22	117-410	Screw		4
23	6803-08055	Spacer		1
24	6803-08001A	Tie Bar		1
25	6803-08006	Bolt		1
26	181-406	E-Ring		
27	7203-08032	Link		1
28	7203-08021A	Lever		1
29	7203-08033	Stud Bolt		1
30	170-104	Nut		2
31	180-104	Lock Washer		4
32	170-106	Nut		3
33	180-106	Lock Washer		3
34	I18-11-3	Stop Stud		2
35	7203-08018	Single Lever Control Plate		1
36	7203-08020A	Dampening Drive Dog		1
37	6903-08010	Stud Bolt		1
38	5103-08078	Spacer		3
39	125-655	Screw		2
40	6903-08011	Snubber Bracket		1
41	7203-08016	Pin		1
42	CP03-26	Cam Follower		1
43	181-403	E-Ring		1
44	7203-08024	Stop Stud		1
45	243-627	Bushing	Included in 46	2
46	6803-08047B	Drive Lever	Two Form Rollers Type	1
47	7203-08031	Link		2 (3)
48	122-185	Screw		3
49	7203-08022	Drive Lever	Three Form Rollers Type	1
50	6903-08016	Bracket		1
51	I18-03-3	Dampening Drive Stud		1
52	I18-04-3	Inking Drive Stud		1
53	6903-08002	Single Lever Control Hub Assy	RS34L VS34L	1
54	6903-08006	Microswitch Operation Cam	RS34L VS34L	1
55	125-660	Screw		2
56	6903-08008	Sector Gear		1
57	117-362	Screw		3
58	243-650	Bushing	Included in 59	1
59	7203-08034A	Lever		1
60	5103-08020A	Latch		1
61	181-408	E-Ring		1
62	5103-08049	Spring		1
63	140-362	Set Screw		1
64	I27-80-3	Knob		1
65	I18-05-3	Operation Handle		1
66	145-508	Set Screw		1
67	6903-08001	Operation Handle Bracket		1
68	M03-13-3	Flat Washer		1
69	117-360	Screw		1
70	PC03-52	Plate		1

W1029

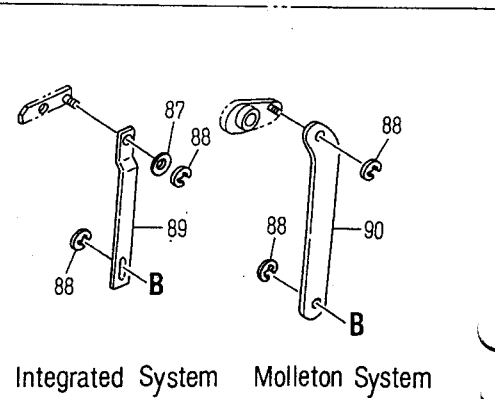
RS34L/VS34L

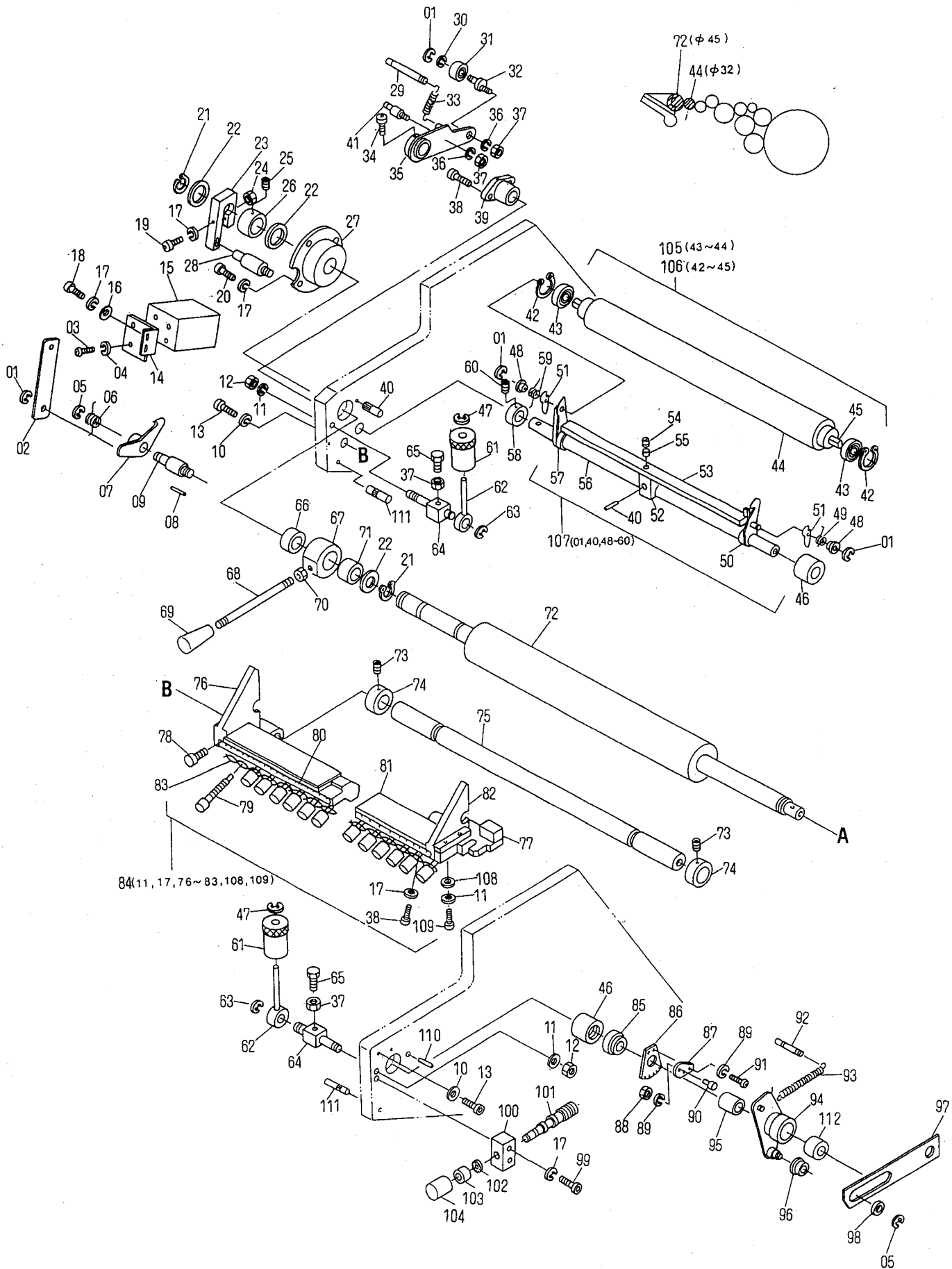


RS34/VS34
RS34L/VS34L



RS34/VS34





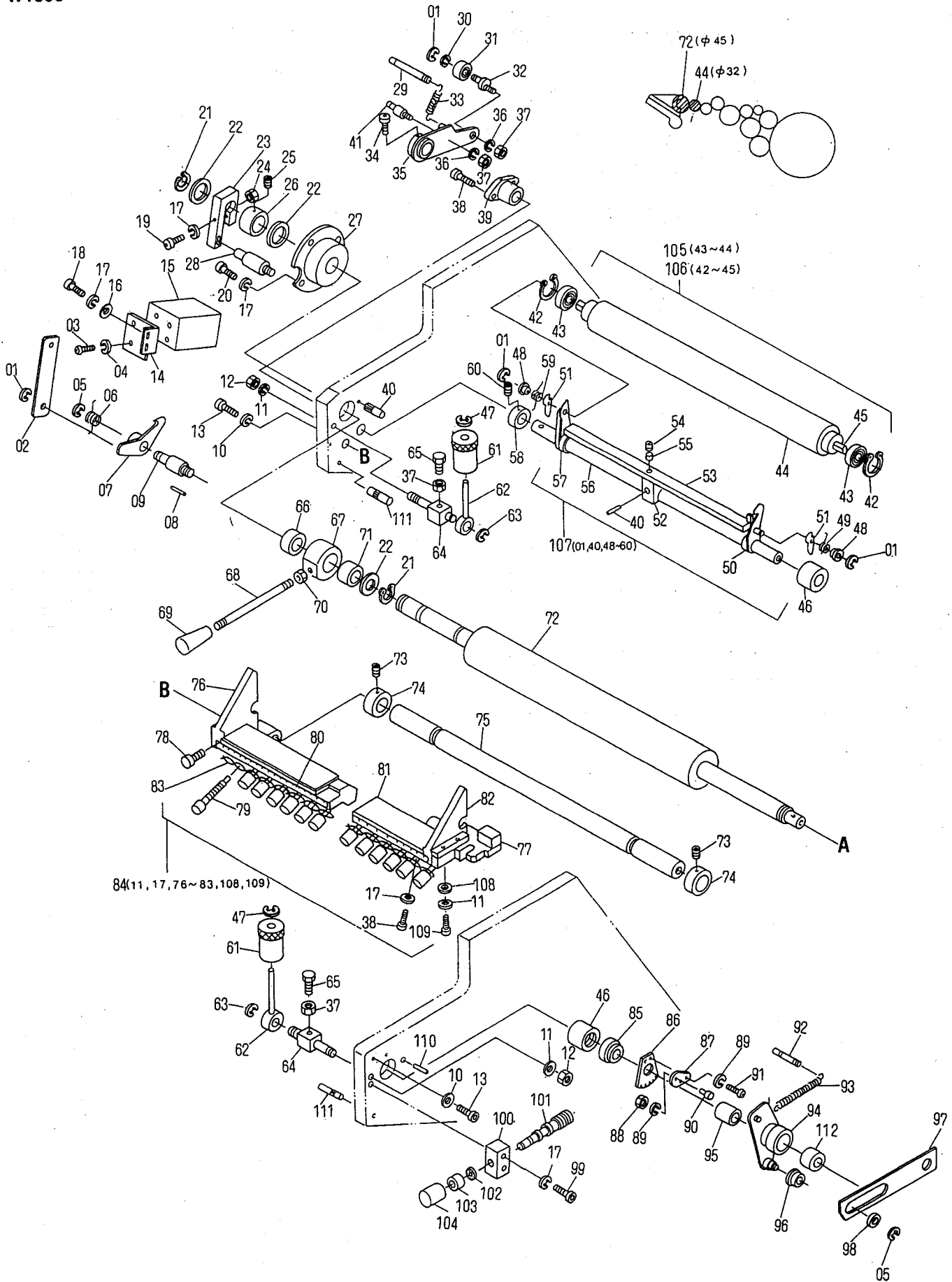
RS34	RS34L	VS34	VS34L
○	○	○	○

**Inking Section
Ink Ductor Roller and Ink Fountain**

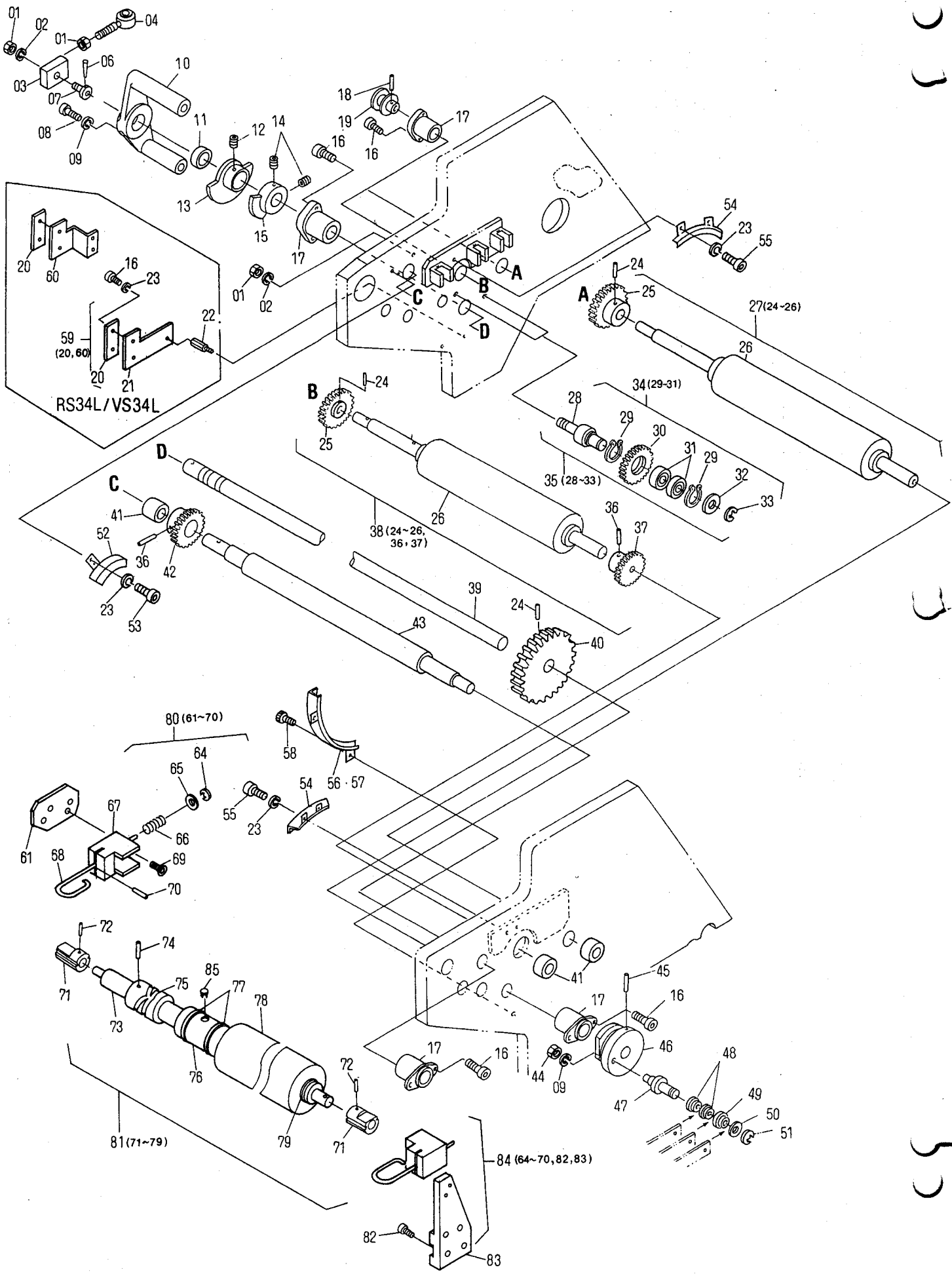
W1030

INDEX No.	Parts No.	Description	Remarks	Units Per Assy
01	181-404	E-Ring		5
02	6803-06024	Link		1
03	125-606	Screw		4
04	180-103	Lock Washer		4
05	181-406	E-Ring		3
06	7203-06023	Spring		1
07	6803-06026A	Hook		1
08	183-212	Roll Pin		1
09	7203-06021	Pin		2
10	180-110	Lock Washer		4
11	180-108	Lock Washer		2
12	170-108	Nut		2
13	6803-02062	Screw		2
14	7203-06013	Solenoid Bracket		1
15	E09-25-3	Solenoid		1
16	184-105	Flat Washer		2
17	180-105	Lock Washer		8
18	117-512	Screw		2
19	117-532	Screw		1
20	117-515	Screw		3
21	181-016	C-Ring		3
22		Washer		4
23	7203-02043	Brake Shoe		1
24	I31-10-3	Nut		1
25	145-505	Set Screw		1
26	M05-37-3	Collar		1
27	6803-02041	Bushing Bracket		1
28	7203-02042	Stud Pin		1
29	223-0640.01	Pin		1
30	184-106	Flat Washer		1
31	250-126.6	Bearing		1
32	6803-06012	Bearing Pin		1
33	G07-52-3	Spring		1
34	117-508	Screw		2
35	6803-06009A	Lever		1
36	180-106	Lock Washer		2
37	170-106	Nut		4
38	117-510	Screw		2
39	6803-04020	Bushing		1
40	CP03-34	Roll Pin		1
41	7203-06015	Eccentric Pin		1
42	181-008	C-Ring		2
43	250-088.7	Bearing		2
44	6803-06001	Ink Ductor Roller		1
45	6803-06002	Ink Ductor Roller Shaft		1
46	7203-04032	Bushing		2
47	181-405	E-Ring		2
48	I01-43-3	Spreader		2
49	I01-32-3	Spring		1
50	7203-06011B	Ductor Roller Bracket		1
51	7203-06022	Ductor Roller Latch		2
52	7203-06009	Bracket		1
53	6803-06004A	Ductor Bracket Spreader		1
54	7203-06024	Pin		1
55	243-605	Bushing	Included in 53	1
56	6803-06003	Ductor Frame Shaft		1
57	7203-06010B	Ductor roller Bracket		1
58	185-1615.01	Collar		1
59	I01-33-3	Spring		1
60	145-355	Set Screw		2
61	6803-02051	Handle		2
62	6803-02052	Mounting Link		2
63	181-408	E-Ring		2
64	6803-02038	Stud Pin		2
65	101-375	Screw		2
66	5802-20024	Bushing		1
67	6803-02040	Handle Bracket		1
68	7203-02060	Handle Shaft		1
69	R-118-01	Knob		1
70	170-108	Nut		1

W1030



W1031 05

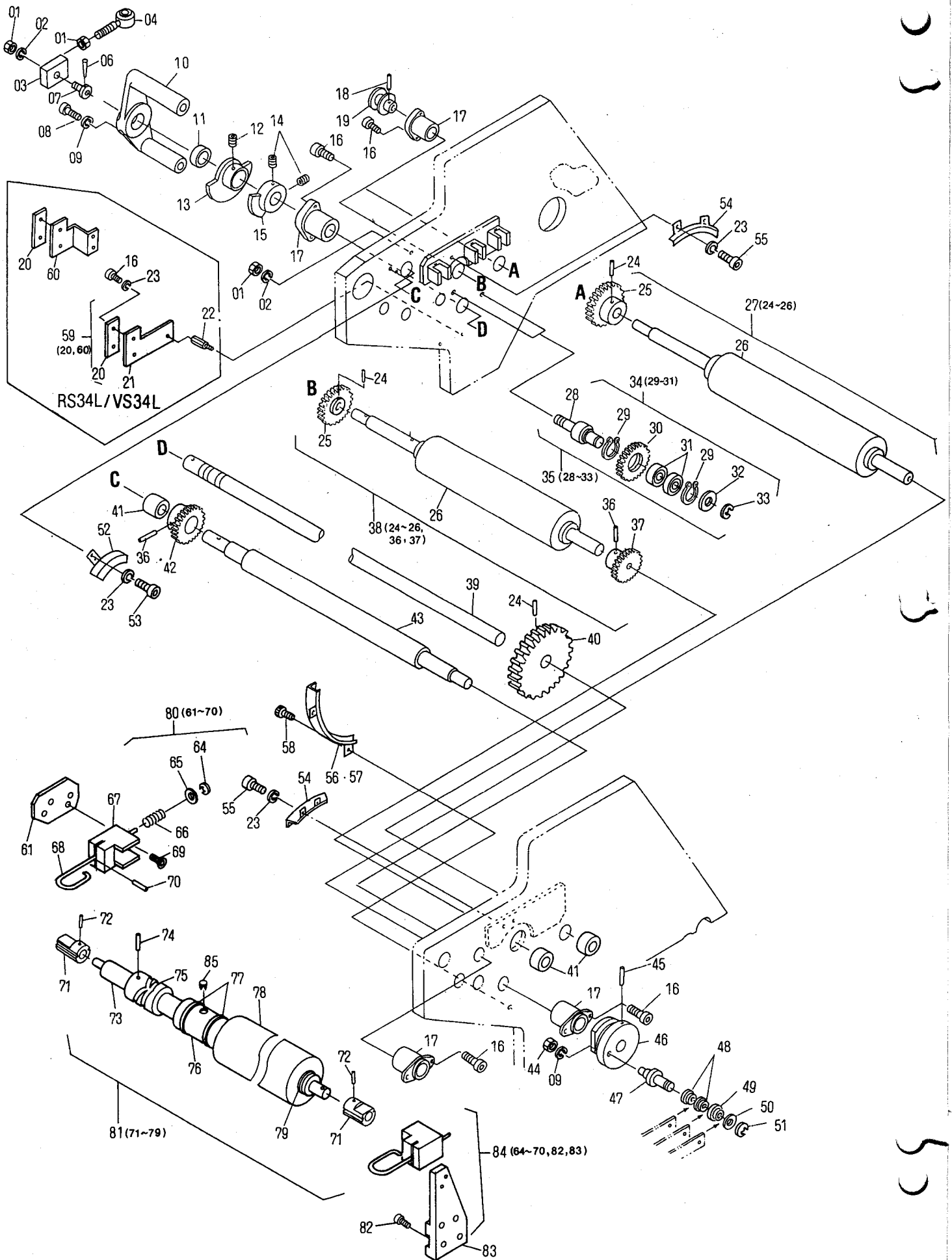


RS34	RS34L	VS34	VS34L
○	○	○	○

Inking Section
Oscillating Roller, Distributor Roller and Related Parts

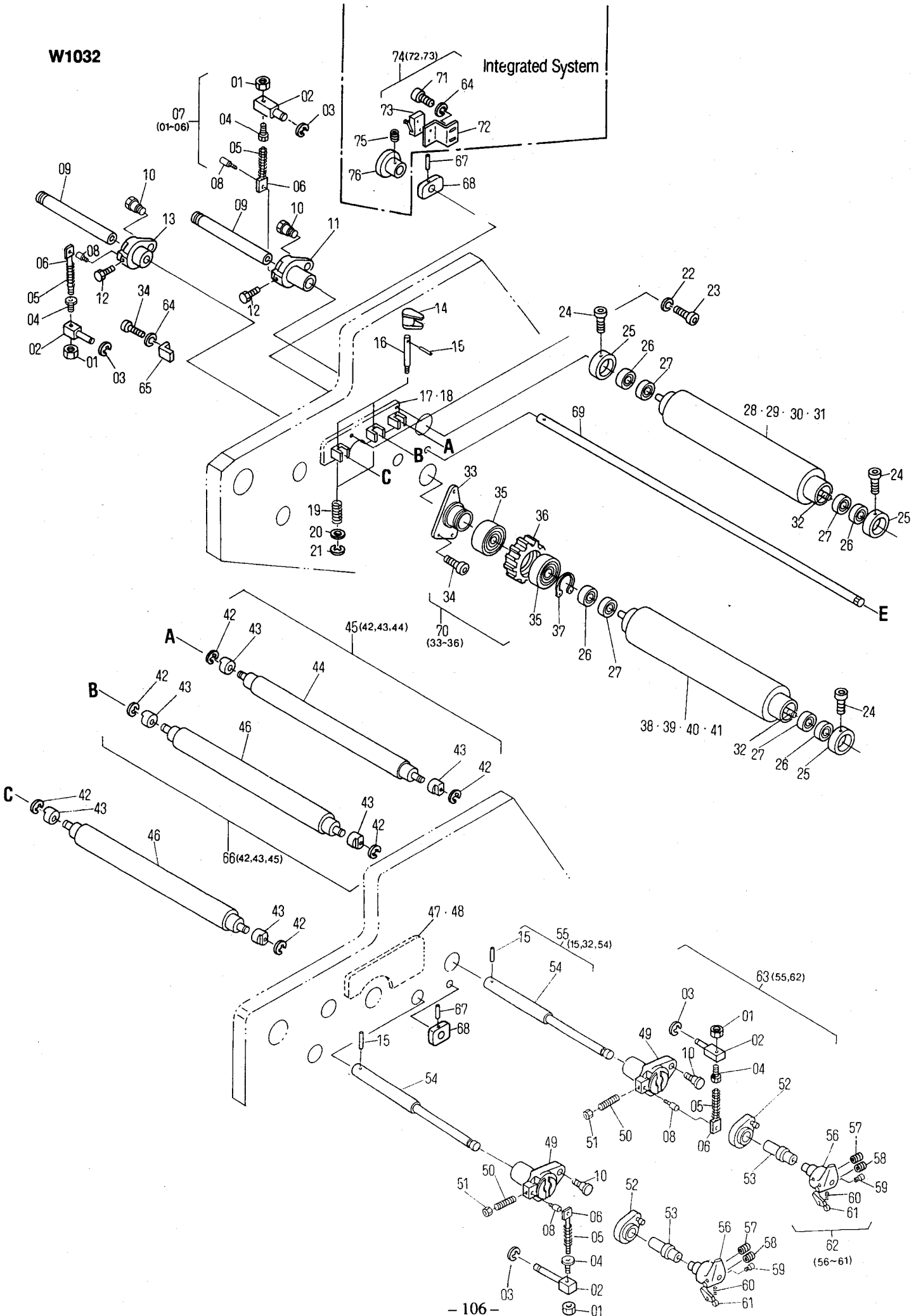
W1031

INDEX No.	Parts No.	Description	Remarks	Units Per Assy
01	170-110	Nut		2
02	180-110	Lock Washer		1
03	7203-05016A	Drive Joint		1
04	7203-05020	Joint		1
05	7203-05016B	Drive Joint Assy		1
06	7203-05042	Taper Pin		1
07	7203-05017	Eccentric Pin		1
08	117-489	Screw		1
09	180-108	Lock Washer		1
10	6803-05081A	Bracket		1
11	6803-05082	Bushing	Included in 10	1
12	145-506	Set Screw	L TYPE	2
13	6803-05039A	Cam	L TYPE	1
14	145-505	Set Screw		1
15	6803-06025	Cam		1
16	117-510	Screw		1
17	6803-04020	Bushing Bracket		5
18	183-205	Roll Pin		2
19	I01-39-3	Ink Oscillating Roller Drive Cam		2
20	E26-75-3	Sensor	L TYPE	1
21	6903-05002	Bracket	L TYPE	1
22	6903-05003	Stud Pin	L TYPE	2
23	180-105	Lock Washer		2
24	CM05-55	Roll Pin		3
25	7203-05030	Gear		2
26	6803-04001	Oscillating Roller		2
27	6803-04001B	Oscillating Roller Assy		1
28	7203-05021	Stud Pin		2
29	181-224	C-Ring		4
30	7203-05026	Gear		2
31	250-151.6	Bearing		4
32	7203-05035	Spacer		2
33	181-012	C-Ring		2
34	7203-05026A	Gear Assy		2
35	7203-05021A	Gear Assy		2
36	CP03-34	Roll Pin		1
37	7203-05023	Gear		1
38	6803-04001A	Oscillating Roller Assy		1
39	6803-05077	Cam Shaft		1
40	7203-05024	Gear		1
41	7203-04032	Bushing		3
42	7203-05025	Gear		1
43	6803-04004A	Distributor Roller Assy		1
44	170-108	Nut		1
45	183-230	Roll Pin		1
46	6803-05057	Cam		1
47	6803-05055	Stud Pin		1
48	6803-05052	Bushing		2
49	6803-05053	Bushing		1
50	184-110	Flat Washer		1
51	181-408	E-Ring		1
52	6905-02083	Gear Cover		1
53	117-506	Screw		2
54	6905-02084	Gear Cover		2
55	117-512	Screw		4
56	6803-05042	Gear Cover		1
57	6903-05001	Gear Cover	(For Three Form Rollers Type)	1
58	7205-02155	Screw		2
59	6903-05002A	Sensor Assy	L TYPE	1
60	6803-05079	Bracket	L TYPE	1
61	6803-04024	Plate	NOP-S	1
62	180-106	Lock Washer		2
63	117-370	Screw		2
64	181-404	E-Ring		2
65	184-105	Flat Washer		2
66	6803-04025	Spring		2
67	6803-04021	Block		2
68	6803-04022	Holder		2
69	122-112	Screw		4
70	183-141	Roll Pin		2



W1032

Integrated System



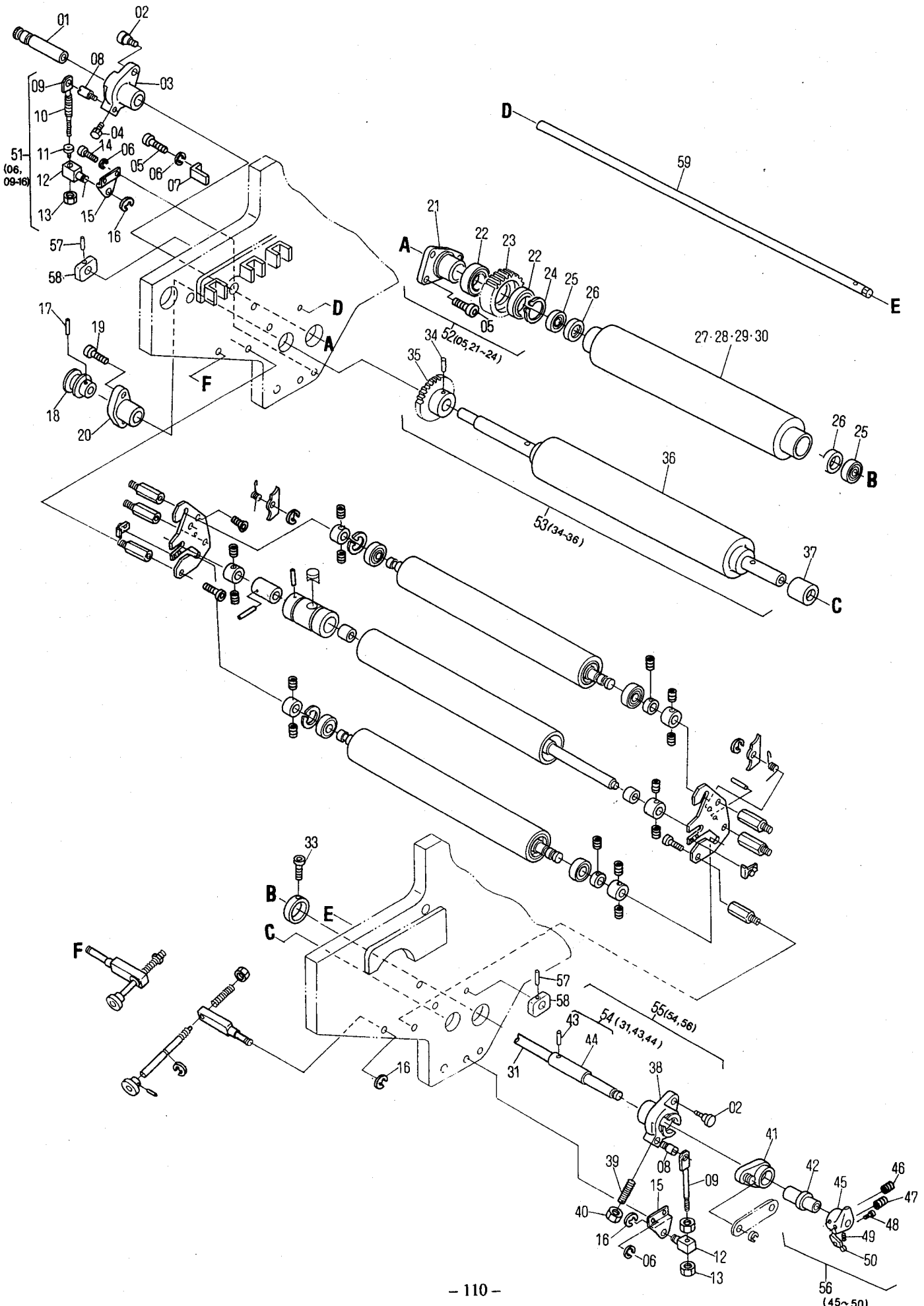
RS34	RS34L	VS34	VS34L
○	○	○	○

**Inking Section
Form Roller and Idle Roller**

W1032

INDEX No.	Parts No.	Description	Remarks	Units Per Assy
01	C-216A-01	Nut	Included in 07	4
02	7203-03017	Stud Pin	Included in 07	4
03	181-406	E-Ring	Included in 07	4
04	7203-03016	Screw	Included in 07	4
05	7203-03021	Spring	Included in 07	4
06	7203-03011	Spring Guide	Included in 07	4
07	7203-03017A	Spring Guide Assy	(01-07)	4
08	7203-03014	Bolt		4
09	7203-03018	Form Roller Shaft	NOP-S	2
10	7203-03013	Bolt		4
11	7203-03007	1st Ink Form Roller Bracket		1
12	101-520T	Screw		4
13	6803-03031	2nd Ink Form Roller Bracket		1
14	6803-04010	Roller Retainer		4
15	183-151	Roll Pin		4
16	6803-04011	Holder Stem		4
17	6803-04008A	Roller Frame	Integrated NOP-S	1
18	6803-04018A	Roller Frame	Molleton NOP-S	1
19	6803-04015	Spring		4
20	184-106	Flat Washer		4
21	181-404	E-Ring		4
22	180-106	Lock Washer		4
23	117-362	Screw		4
24	117-410	Screw		3
25	7203-03015	Collar		3
26	103-48-3	Bearing	Included in 28-31, 38-41	4
27	103-49-3	Bearing Spacer	Included in 28-31, 38-41	4
28	6803-03001A	1st Form Roller	SYN TAC 75.80	SPEC 1 USA 1
29	6803-03021A	1st Form Roller		SPEC 2 1
30	6803-03023A	1st Form Roller		SPEC 3 1
31	6803-03025A	1st Form Roller		SPEC 4 1
32	6803-03003	Form Roller Shaft		2
33	7203-05027	Bracket		1
34	117-520	Screw		3
35	7203-05034	Bearing		2
36	7203-05028	Gear		1
37	181-030	C-Ring		1
38	6803-03002A	2nd Form Roller	SYN TAC 77.46	SPEC 1 USA 1
39	6803-03022A	2nd Form Roller		SPEC 2 1
40	6803-03024A	2nd Form Roller		SPEC 3 1
41	6803-03026A	2nd Form Roller		SPEC 4 1
42	181-405	E-Ring		6
43	CP03-11	Bushing		6
44	6803-04003	Idle Roller		1
45	6803-04003A	Idle Roller Assy	(42, 43, 44)	1
46	6803-04005	Distributor Roller		2
47	6803-04009A	Roller Frame		Integrated OP-S 1
48	6803-04019A	Roller Frame		Molleton OP-S 1
49	7203-03006	Form Roller Bracket		2
50	I18-59-1A-3	Snubber		2
51	I18-60-3	Nut		2
52	7203-03012A	Form Roller Drive Bracket	RS- 2248	2
53	7203-03010	Bushing		2
54	7203-03009	Form Roller Shaft	6803-03003A + 680 7203 03004A	2
55	6803-03003A	Form Roller Shaft Assy		2
56	I18-46-3	Form Roller Handle		2
57	145-355	Set Screw		2
58	145-358	Set Screw		2
59	I18-55-3	Snubber Pin		2
60	I18-56-3	Spring		2
61	I18-54-3	Snubber		2
62	I18-46-1A-3	Form Roller Handle		2
63	6803-03003B	Form Roller Shaft Assy		2
64	180-105	Lock Washer		1
65	7203-03020	Block		1
66	6803-04005A	Distributor Roller Assy		2
67	183-186	Roll Pin		2
68	7203-03019	Night Latch Cam		2
69	6803-03019	Night Latch Shaft		1
70	7203-05028A	Gear Assy		

W1033



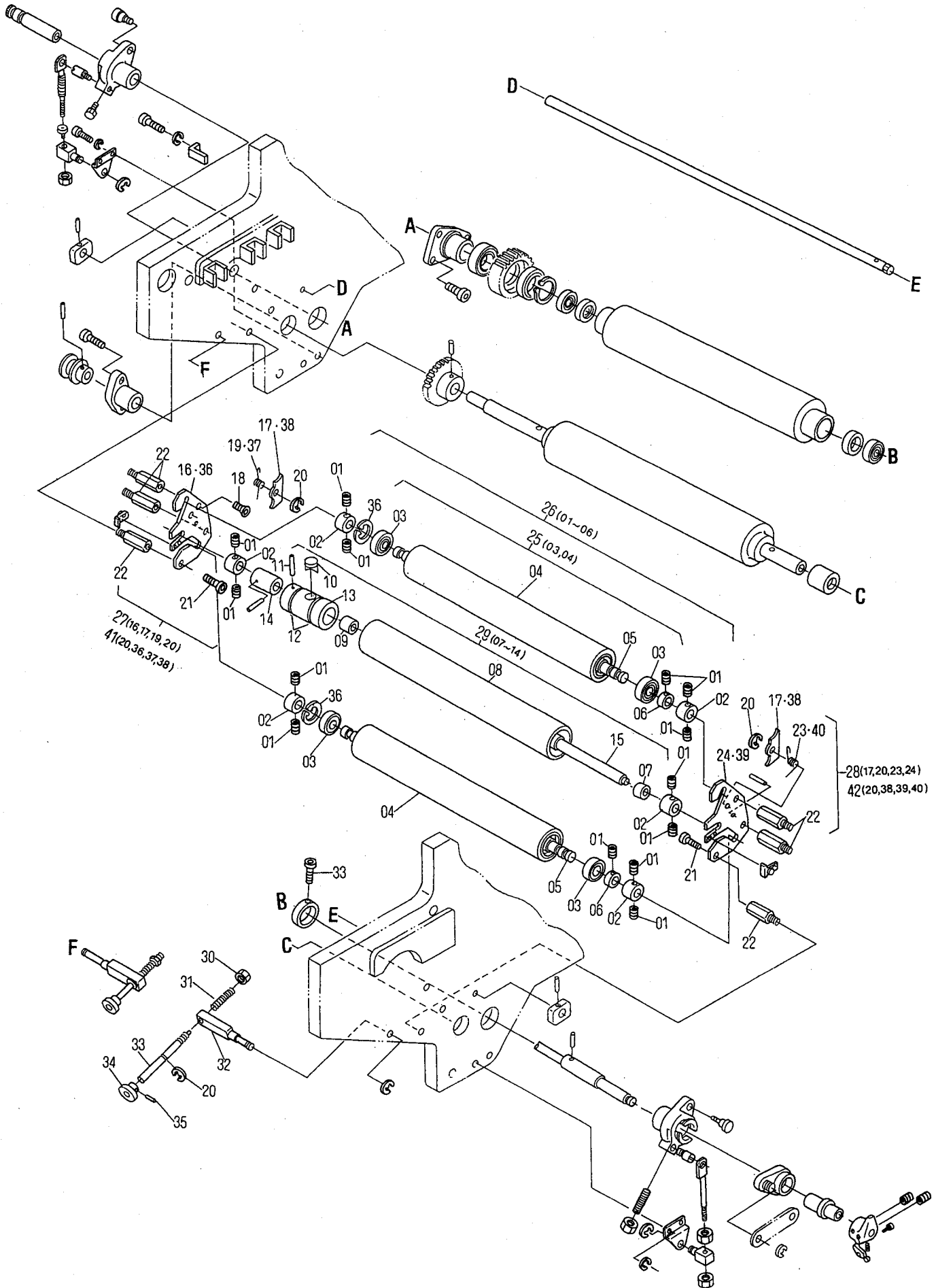
RS34	RS34L	VS34	VS34L
○	○	○	○

Inking Section
3rd Form Roller

W1033

INDEX No.	Parts No.	Description	Remarks	Units Per Assy
01	7203-03018	Form Roller Shaft		1
02	7203-03013	Bolt		2
03	7203-03007	3rd Ink Form Roller Bracket		1
04	101-520T	Screw		1
05	117-520	Screw		1
06	180-105	Lock Washer		1
07	7203-03020	Block		1
08	7203-03014	Bolt		2
09	7203-03011	Spring Guide		2
10	7203-03021	Spring		2
11	7203-03016	Screw		2
12	6803-03029	Stud Pin		2
13	C-216A-01	Nut		2
14	117-518	Screw		4
15	6803-03030	Bracket		2
16	181-406	E-Ring		2
17	183-205	Roll Pin		1
18	101-39-3	Ink Oscillating Roller Drive Cam		1
19	117-510	Screw		1
20	6803-04020	Bushing Bracket		1
21	7203-05027	Bracket		1
22	7203-05034	Bearing		2
23	7203-05028	Gear		1
24	181-030	C-Ring		1
25	103-48-3	Bearing		2
26	103-49-3	Bearing Spacer		2
27	6903-03001	3rd Form Roller	USA 78.30 SYN TAC	1
28	6903-03002	3rd Form Roller		1
29	6903-03003	3rd Form Roller		1
30	6903-03004	3rd Form Roller		1
31	6803-03003	Form Roller Shaft		1
32	7203-03015	Collar		1
33	117-410	Screw		1
34	CM05-55	Roll Pin		1
35	7203-05030	Gear		1
36	6803-04001	Oscillating Roller		1
37	7203-04032	Bushing		1
38	7203-03006	Form Roller Bracket		1
39	I18-59-1A-3	Snubber		1
40	I18-60-3	Nut		1
41	7203-03012A	Form Roller Drive Bracket		1
42	7203-03010	Bushing		1
43	183-151	Roll Pin		1
44	7203-03009	Form Roller Shaft		1
45	I18-46-3	Form Roller Handle		1
46	145-355	Set Screw		1
47	145-358	Set Screw		1
48	I18-55-3	Snubber Pin		1
49	I18-56-3	Spring		1
50	I18-54-3	Snubber		1
51	6803-03029A	Spring Guide Assy		1
52	7203-05028A	Gear Assy		1
53	6803-04001B	Oscillating Roller Assy		1
54	6803-03003A	Form Roller Shaft Assy		1
55	6803-03003B	Form Roller Shaft Assy		1
56	I18-46-1A-3	Form Roller Handle		1
57	183-186	Roll Pin		2
58	7203-03019	Night Latch Cam		2
59	6803-03019	Night Latch Shaft		1
60				
61				
62				
63				
64				
65				
66				
67				
68				
69				
70				

W1034



RS34	RS34L	VS34	VS34L
○	○	○	○

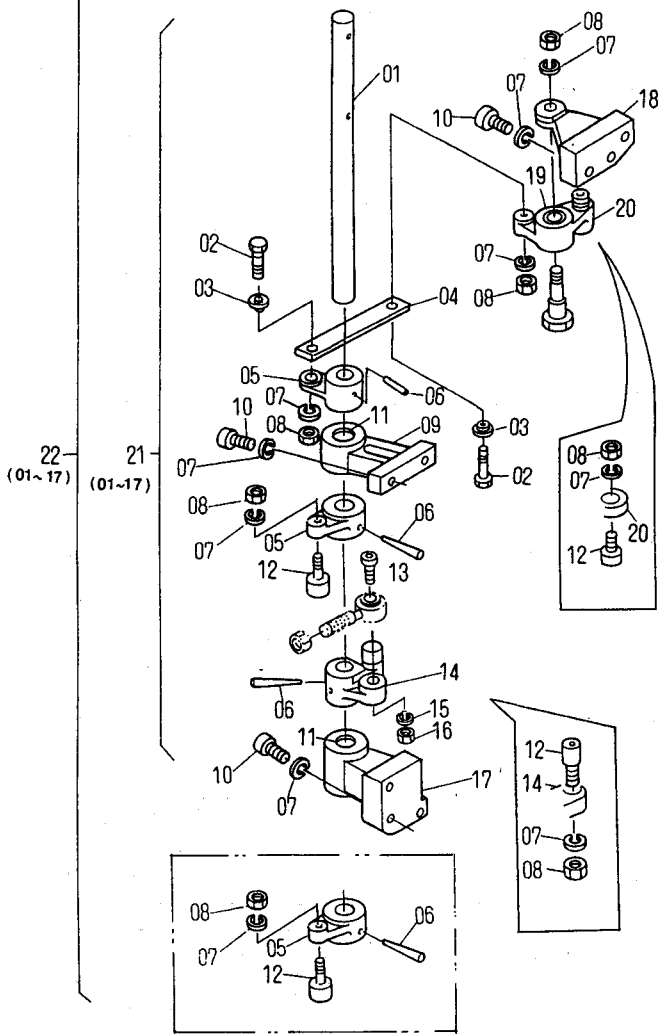
**Inking Section
3rd Form Roller**

W1034

INDEX No.	Parts No.	Description	Remarks	Units Per Assy
01	145-404	Set Screw		6
02	7203-04025	Collar		6
03	250-001.6	Bearing		4
04	6903-04001	Distributor Roller		2
05	6903-04003	Distributor Roller Shaft		2
06	M02-16-3	Collar		1
07	H08-16-3	Bushing		1
08	6903-04010	Oscillating Roller		1
09	243-620	Bushing		1
10	R03-10-3	Worm Cam Follower		1
11	I03-58-3	Roll Pin		1
12	324-622	O-Ring		2
13	R03-07-0A-3	Housing for Oscillating Mechanism		1
14	I03-57-3	Worm Cam		1
15	6903-04011	Oscillating Shaft		1
16	6903-04004A	Roller Frame	NOP-S	1
17	6903-04008	Roller Hook		2
18	122-165	Screw		2
19	7203-04029	Spring	NOP-S	1
20	181-404	E-Ring		2
21	117-365	Screw		4
22	7203-04021	Screw Stud		6
23	7203-04028	Spring		1
24	6903-04005A	Roller Frame	OP-S	1
25	6903-04001A	Distributor Roller Assy (03, 04)		1
26	6903-04001B	Distributor Roller Assy (01~06)		1
27	6903-04004B	Roller Frame Assy (16, 17, 19, 20)	NOP-S	1
28	6903-04005B	Roller Frame Assy (17, 20, 23, 24)	OP-S	1
29	6903-04010A	Oscillating Roller Assy (07~14)		1
30	I31-11-3	Nut		2
31	6903-04009	Spring		2
32	7203-04022	Pin		2
33	6903-04006	Pin		2
34	H06-35-3	Knob		2
35	183-140	Roll Pin		2
36	6903-04013A	Roller Frame RS-4E013~, VS-4E017~	NOP-S	1
37	6903-04017	Spring RS-4E013~, VS-4E017~	NOP-S	1
38	6903-04015	Roller Hook RS-4E013~, VS-4E017~		2
39	6903-04012A	Roller Frame RS-4E013~, VS-4E017~	OP-S	1
40	6903-04016	Spring RS-4E013~, VS-4E017~	OP-S	1
41	6903-04013B	Roller Frame Assy (20, 36, 37, 38) RS-4E013~, VS-4E017~	NOP-S	1
42	6903-04012B	Roller Frame Assy (20, 38, 39 40) RS-4E013~, VS-4E017~	OP-S	1
43				
44				
45				
46				
47				
48				
49				
50				
51				
52				
53				
54				
55				
56				
57				
58				
59				
60				
61				
62				
63				
64				
65				
66				
67				
68				
69				
70				

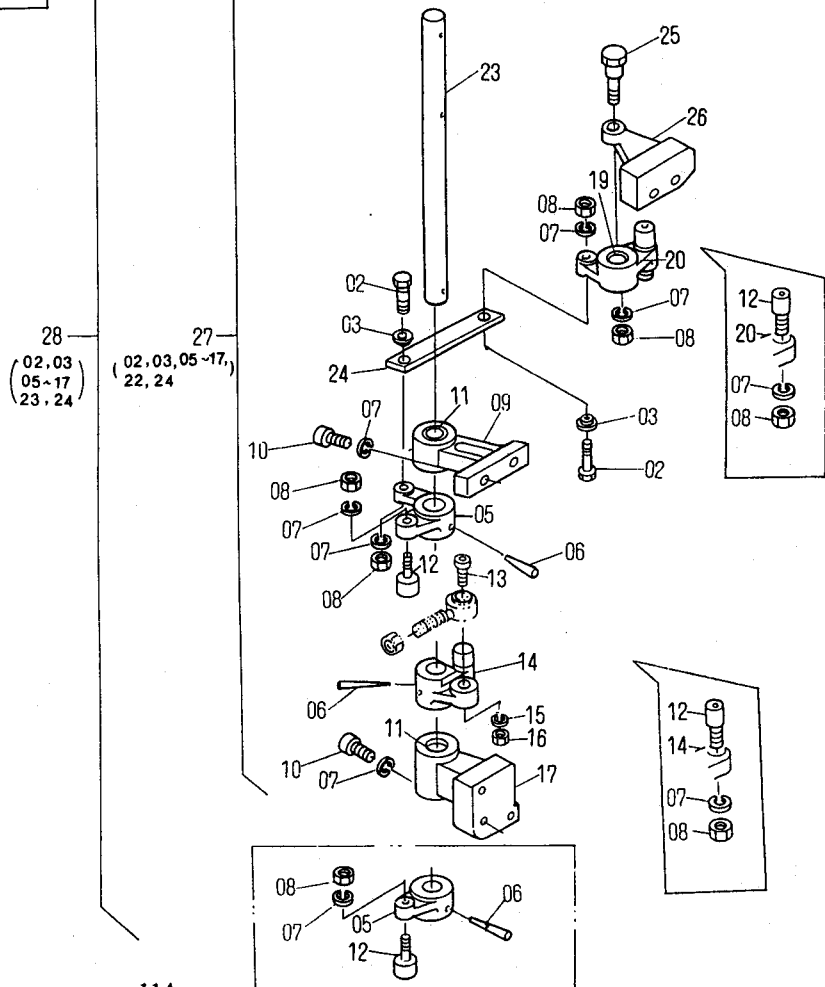
W1035

(Integrated System)



for three form rollers type

(Molleton System)



for three form rollers type

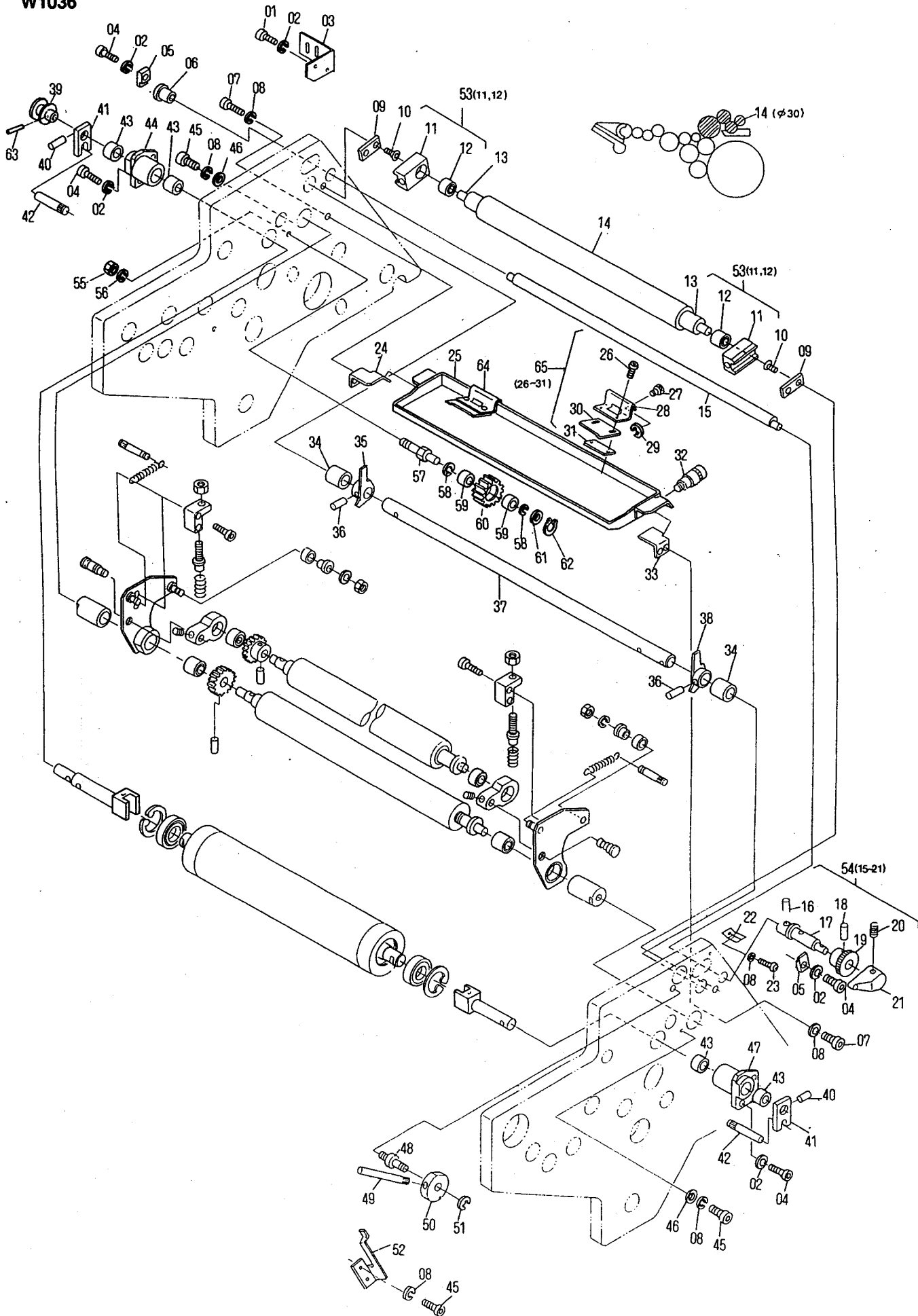
RS34	RS34L	VS34	VS34L
○	○	○	○

Inking Section
Relative Parts

W1035

INDEX No.	Parts No.	Description	Remarks	Units Per Assy
01	6803-05066	Shaft	Integrated	1
02	7203-05013	Screw		2
03	7203-08029	Bushing		2
04	6803-05065	Link	Integrated	1
05	7203-05012	Lever		2 (3)
06	182-190	Taper Pin		3 (4)
07	180-106	Lock Washer		7 (8)
08	170-106	Nut		5 (6)
09	6803-05001A	Bushing Bracket		1
10	117-381	Screw		3
11	7203-05022	Bushing	Included in 09, 17	2
12	258-650.01	Cam Follower		3 (4)
13	117-572	Screw		1
14	6803-05083	Lever		1
15	180-110	Lock Washer		1
16	170-110	Nut		1
17	7203-05006A	Bushing Bracket		1
18	6803-05013	Bracket	Integrated	1
19	7203-05018	Bushing	Included in 20	1
20	6803-05014	Lever		1
21	6803-05066A	Relative Parts Assy	(01-17) Integrated	1
22	6803-05066B	Relative Parts Assy	(For Three Form Rollers Type) (01-17) Integrated	1
23	6803-05058	Shaft	Molleton	1
24	6803-05060	Link	Molleton	1
25	6803-05085	Pin	Molleton	1
26	7203-05009	Bracket	Molleton	1
27	6803-05058A	Relative Parts Assy	(02, 03, 05-17, 23, 24) Molleton	1
28	6803-05058B	Relative Parts Assy	(For Three Form Rollers Type) (02, 03, 05-17, 23, 24) Molleton	1
29				
30				
31				
32				
33				
34				
35				
36				
37				
38				
39				
40				
41				
42				
43				
44				
45				
46				
47				
48				
49				
50				
51				
52				
53				
54				
55				
56				
57				
58				
59				
60				
61				
62				
63				
64				
65				
66				
67				
68				
69				
70				

W1036



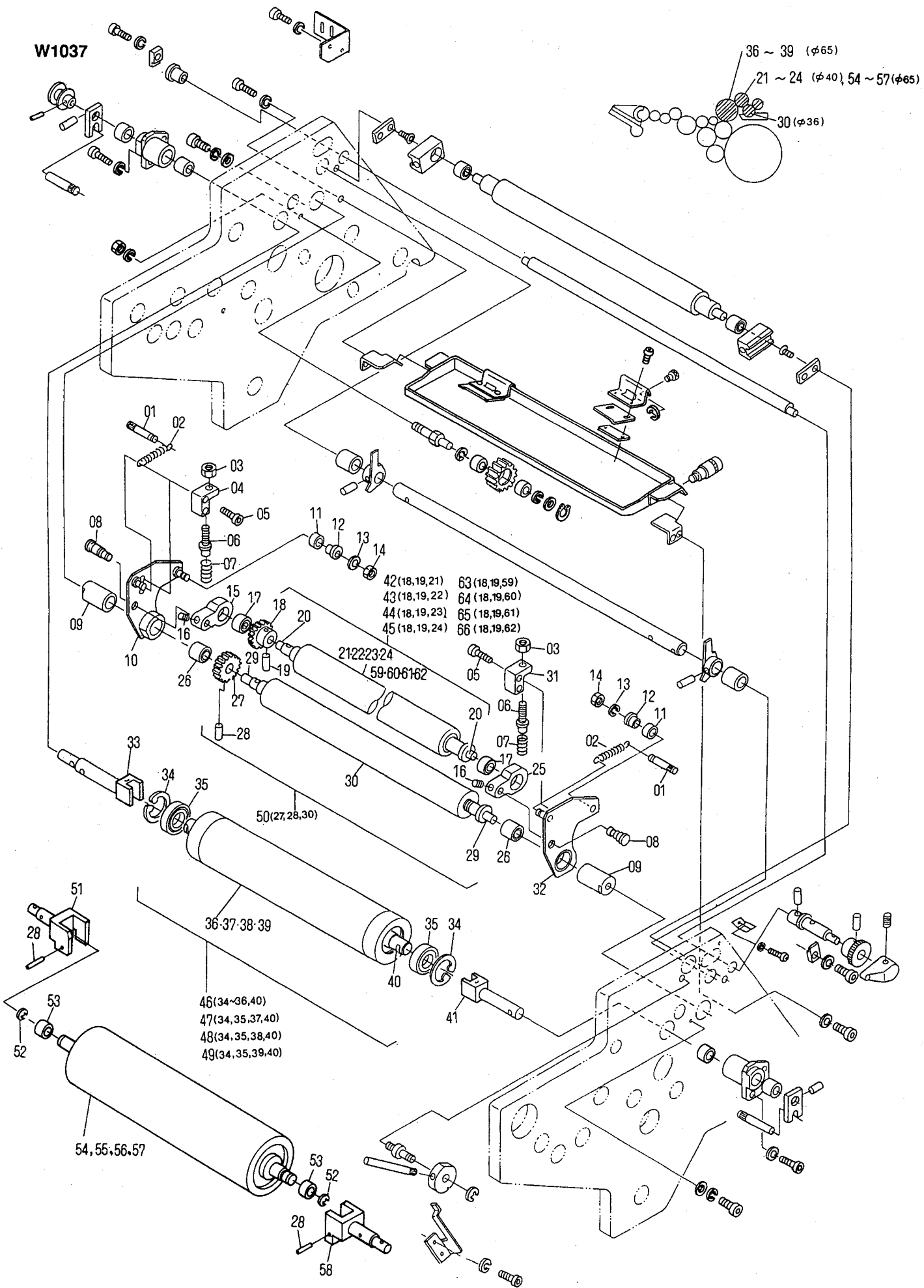
RS34	RS34L	VS34	VS34L
○	○	○	○

**Dampening Section
Dampening Frame and Roller (Integrated System)**

W1036

INDEX No.	Parts No.	Description	Remarks	Units Per Assy	
01	117-362	Screw		2	
02	180-106	Lock Washer		3	
03	6803-18041	Fountain Bottle Bracket		1	
04	117-365	Screw		1	
05	CP18-52	Block		1	
06	CP18-43	Eccentric Bushing		1	
07	117-530	Screw		4	
08	180-105	Lock Washer		8	
09	CP18-41	Guide Plate		2	
10	122-110	Screw		4	
11	6803-18004	Squeeze Roller Bracket		2	
12	CP18-81	Needle Bearing	Included in 09, 48	4	
13	258-263	Inner Sleeve	Included in 12, 53	4	
14	6803-18023A	Squeeze Roller		1	
15	6803-18033	Eccentric Shaft		1	
16	183-183	Roll Pin		1	
17	CP18-53	Connecting Rod		1	
18	183-185	Roll Pin		1	
19	CP18-55	Ratchet		1	
20	145-506	Set Screw		1	
21	4803-11001	Adjustment Knob		1	
22	CP18-17	Flat Spring		1	
23	125-708	Screw		1	
24	6803-18045	Bracket		1	
25	6903-18002	Dampening Fountain Tray		1	
26	125-660.01	Screw		4	
27	CP18-64	Knob		2	
28	6803-18083	Bracket		2	
29	181-103	E-Ring		2	
30	CP18-63	Blade		2	
31	6803-18084	Plate		2	
32	5103-18052	Thumb Screw		2	
33	6803-18046	Bracket		1	
34	M25-09-3	Bushing		2	
35	CP18-33	Lever	NOP-S	1	
36	183-207	Roll Pin		2	
37	6803-18025	Metering Roller On-Off Shaft		1	
38	CP18-32	Lever	OP-S	1	
39	I01-39-3	Oscillating Roller Drive Cam		1	
40	183-187	Roll Pin		2	
41	6803-18060	Plate		2	
42	5102-03127	Pin		2	
43	5803-04124	Bearing	Included in 44, 47	4	
44	6803-18057A	Bushing Bracket	NOP-S	1	
45	117-510	Screw		4	
46	I23-18-3	Washer		2	
47	6803-18056A	Bushing Bracket	OP-S	1	
48	CP18-83	Pin		1	
49	PC18-24	Handle		1	
50	6803-18053	Night Latch Cam		1	
51	181-408	E-Ring		1	
52	CP18-30	Stopper		1	
53	6803-18004A	Squeeze Roller Bracket Assy	(11, 12)	2	
54	6803-18033B	Eccentric Shaft	(15-21)	1	
55	170-110	Nut		1	
56	180-110	Lock Washer		1	
57	6803-18050	Pin		1	
58	181-224	C-Ring	Included in 60	2	
59	250-151.6	Bearing	Included in 60	2	
60	7203-05026A	Gear Assy		1	
61	7203-05035	Spacer		1	
62	181-012	C-Ring		1	
63	183-186	Roll Pin		1	
64	6803-18083B	Blade Assy	(26-31)	NOP-S	1
65	6803-18083A	Blade Assy	(26-31)	OP-S	1
66					
67					
68					
69					
70					

W1037



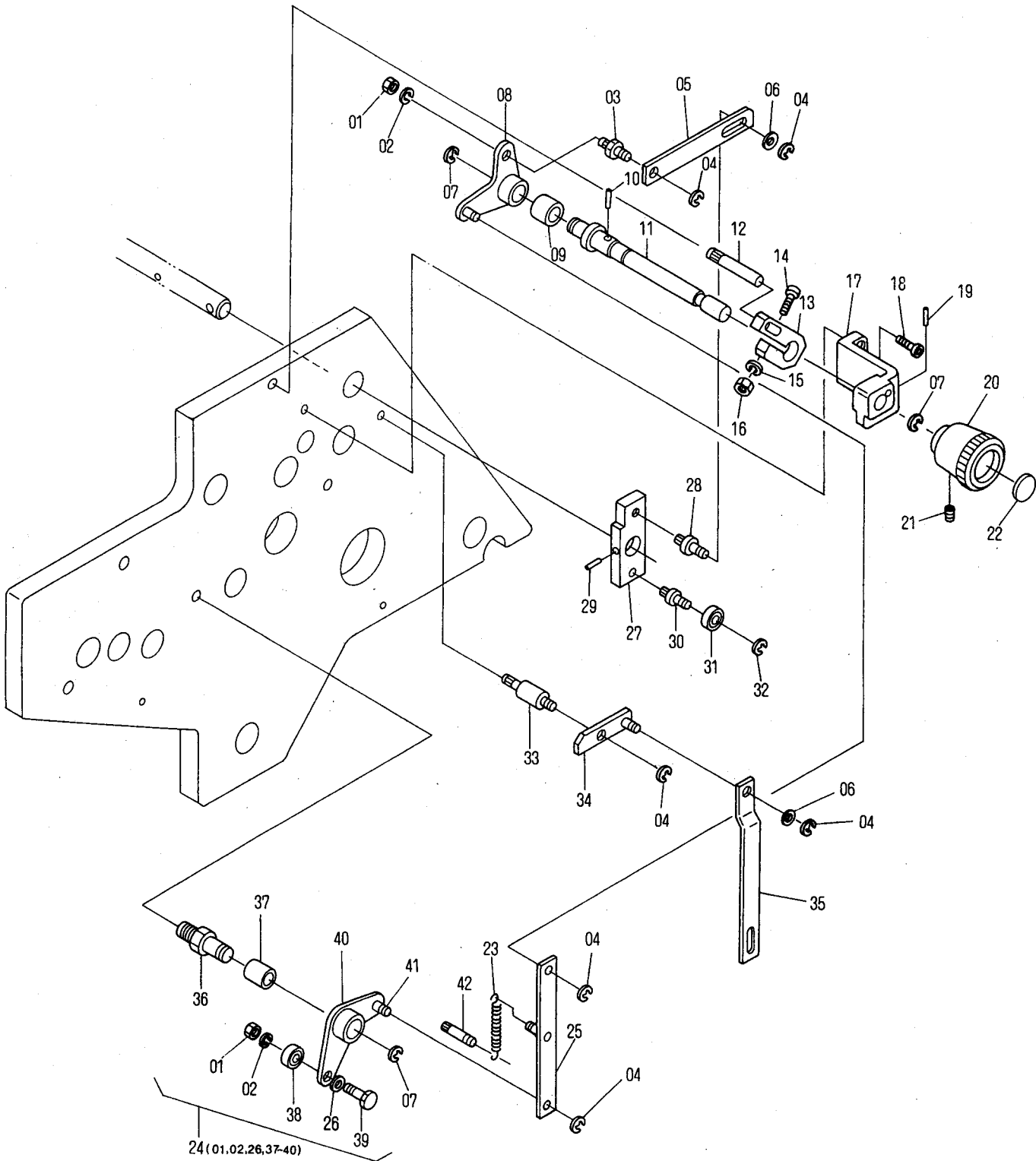
RS34	RS34L	VS34	VS34L
○	○	○	○

**Dampening Section
Dampening Frame and Roller (Integrated System)**

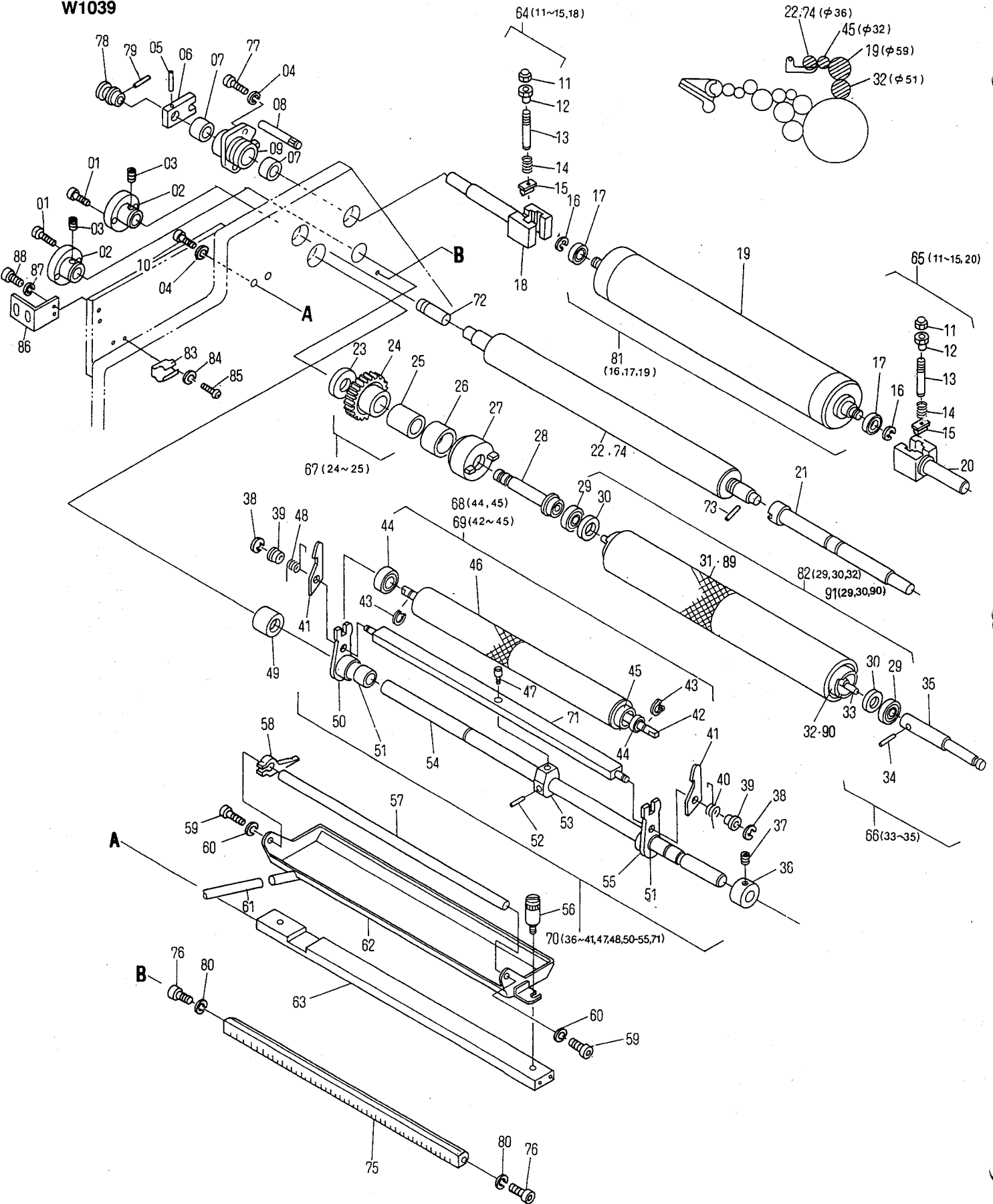
W1037

INDEX No.	Parts No.	Description	Remarks	Units Per Assy	
01	M57-40-3	Pin		2	
02	CP18-15	Spring		2	
03	170-108	Nut		2	
04	CP18-12	Block	NOP-S	1	
05	117-515	Screw		2	
06	CP18-13	Adjustment Screw		2	
07	5203-11046	Spring		2	
08	CP18-37	Pin		2	
09	6803-18024A	Bushing		2	
10	6803-18064A	Frame Assy	NOP-S	1	
11	6803-18067	Guide Roller		2	
12	6803-18066	Eccentric Bushing		2	
13	180-106	Lock Washer		2	
14	170-106	Nut		2	
15	6803-18020A	Metering Roller Bracket	NOP-S	1	
16	145-356	Set Screw		2	
17	6803-18035	Needle Bearing	Included in 15, 25	2	
18	CP18-07	Gear		1	
19	183-186	Roll Pin		1	
20	6803-18082	Inner Sleeve	Included in 21-24, 59-62	2	
21	6803-18019B	Metering Roller	SPEC 1	1	
22	6803-18075B	Metering Roller	SPEC 2	1	
23	6803-18078B	Metering Roller	SPEC 3	1	
24	6803-18081B	Metering Roller	SPEC 4	1	
25	6803-18021A	Metering Roller Bracket	OP-S	1	
26	CP18-81	Needle Bearing	Included in 10, 32	2	
27	CP18-10	Gear		1	
28	183-188	Roll Pin		1	
29	258-263	Inner Sleeve	Included in 30	2	
30	6803-18022B	Fountain Roller		1	
31	CP18-11	Metering Roller Bracket	OP-S	1	
32	6803-18063A	Frame Assy	OP-S	1	
33	6803-18061	Bracket	NOP-S	1	
34	181-240	C-Ring	Included in 36-39	2	
35	250-203.7	Bearing	Included in 36-39	2	
36	6803-18012	Oscillating Roller	SPEC 1	1	
37	6803-18073	Oscillating Roller	SPEC 2	1	
38	6803-18076	Oscillating Roller	SPEC 3	1	
39	6803-18079	Oscillating Roller	SPEC 4	1	
40	6803-18013	Oscillating Roller Shaft		1	
41	6803-18062	Bracket	OP-S	1	
42	6803-18019A	Metering Roller Assy	SPEC 1	1	
43	6803-18075A	Metering Roller Assy	SPEC 2	1	
44	6803-18078A	Metering Roller Assy	SPEC 3	1	
45	6803-18081A	Metering Roller Assy	SPEC 4	1	
46	6803-18012A	Oscillating Roller Assy	(34-36, 40) SPEC 1	1	
47	6803-18073A	Oscillating Roller Assy	(34, 35, 37, 40) SPEC 2	1	
48	6803-18076A	Oscillating Roller Assy	(34, 35, 38, 40) SPEC 3	1	
49	6803-18079A	Oscillating Roller Assy	(34, 35, 39, 40) SPEC 4	1	
50	6803-18022A	Fountain Roller Assy	(27, 28, 30)	1	
51	6803-18093	Bracket	VS-4F038~, RS-4F032~	NOP-S	1
52	181-408	E-Ring	Included in 54-57 VS-4F038~, RS-4F032~	2	
53	250-150.7	Bearing	Included in 54-57 VS-4F038~, RS-4F032~	2	
54	6803-18094A	Oscillating Rolller	VS-4F038~, RS-4F032~	SPEC 1	1
55	6803-18095A	Oscillating Rolller	VS-4F038~, RS-4F032~	SPEC 2	1
56	6803-18096A	Oscillating Rolller	VS-4F038~, RS-4F032~	SPEC 3	1
57	6803-18097A	Oscillating Rolller	VS-4F038~, RS-4F032~	SPEC 4	1
58	6803-18092	Bracket	VS-4F038~, RS-4F032~	OP-S	1
59	6803-18088B	Metering Roller		SPEC 1	1
60	6803-18089B	Metering Roller		SPEC 2	1
61	6803-18090B	Metering Roller		SPEC 3	1
62	6803-18091B	Metering Roller		SPEC 4	1
63	6803-18088A	Metering Roller Assy	(18, 19, 59)	SPEC 1	1
64	6803-18089A	Metering Roller Assy	(18, 19, 60)	SPEC 2	1
65	6803-18090A	Metering Roller Assy	(18, 19, 61)	SPEC 3	1
66	6803-18091A	Metering Roller Assy	(18, 19, 62)	SPEC 4	1

W1038



W1039



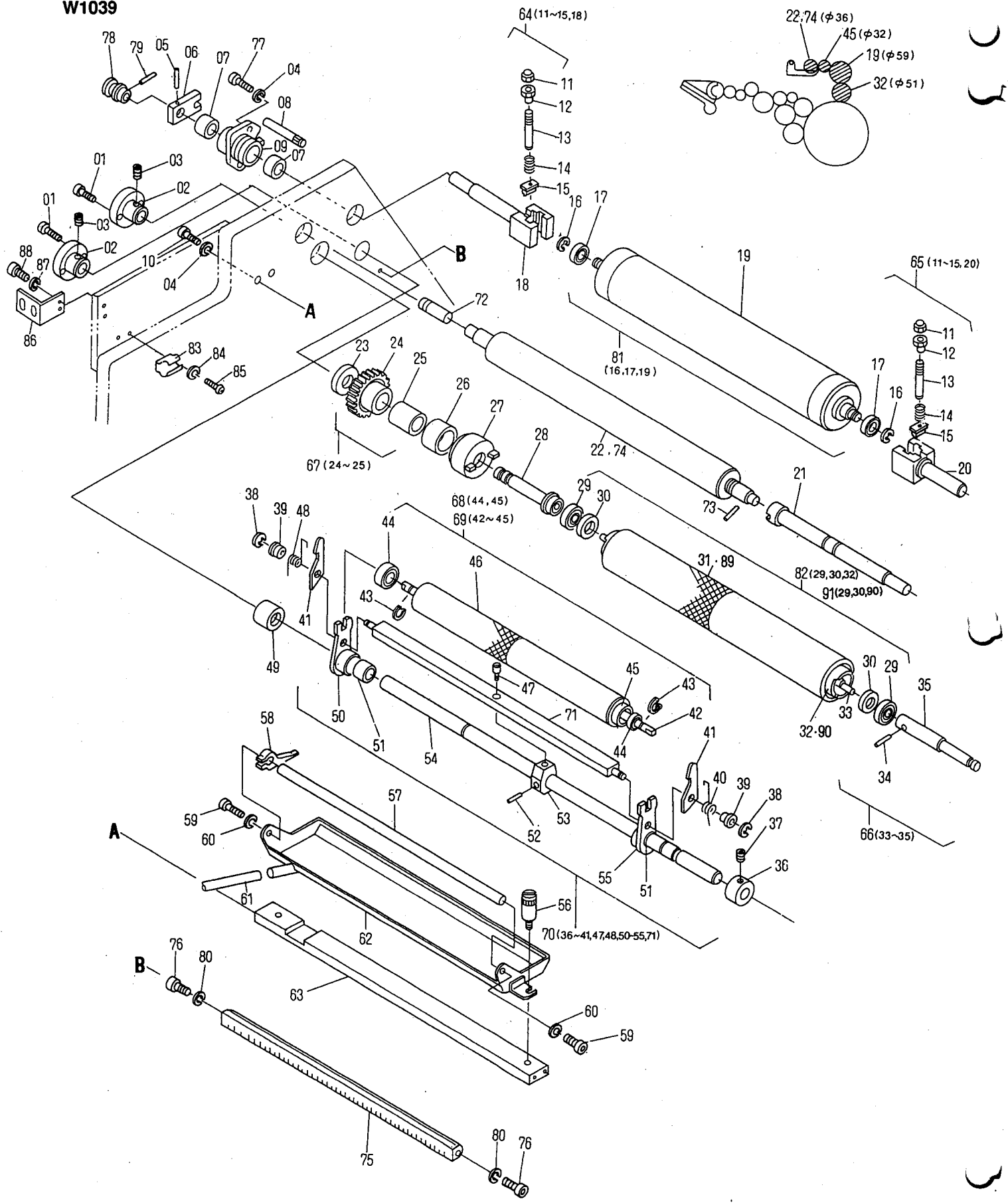
RS34	RS34L	VS34	VS34L
○	○	○	○

**Dampening Section
Ductor Oscillation and Form Roller (Molletion System)**

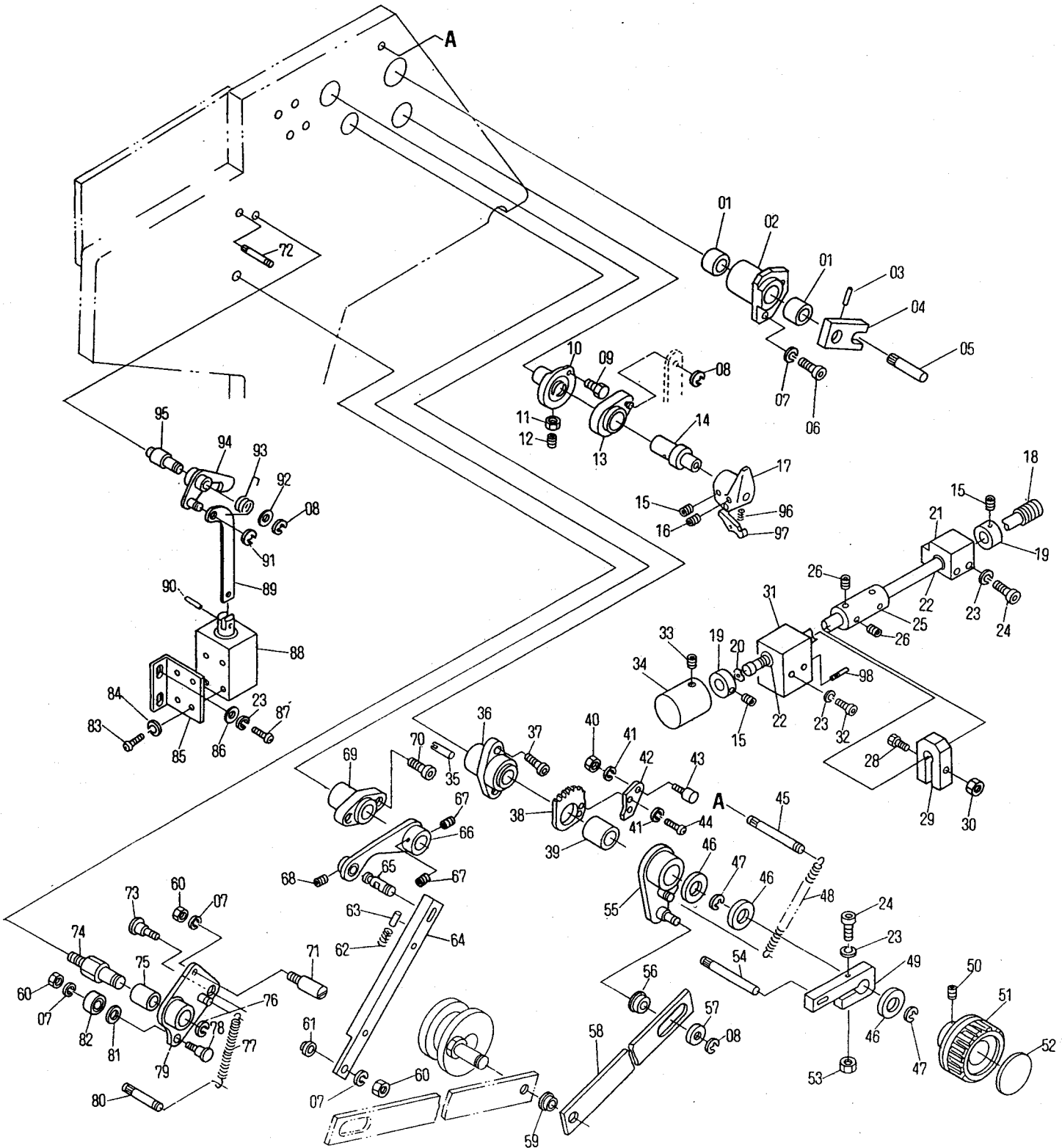
W1039

INDEX No.	Parts No.	Description	Remarks	Units Per Assy
01	117-515	Screw		4
02	6803-12015	Bushing Bracket		2
03	145-365	Set Screw		2
04	180-106	Lock Washer		4
05	183-187	Roll Pin		1
06	6803-18060	Plate		1
07	5803-04124	Bearing	Included in 09	2
08	5102-03127	Pin		1
09	6803-18057A	Bushing Bracket	NOP-S	1
10	117-380	Screw		2
11	R01-16-3	Cap Nut		2
12	R01-15-3	Thumb Nut		2
13	6803-12028	Holder Stem		2
14	R01-14-3	Spring		2
15	6803-12034	Block		2
16	181-408	E-Ring		2
17	250-150.7	Bearing		2
18	6803-12031	Bracket		1
19	6803-12043	Oscillating Roller		1
20	6803-12032	Bracket		1
21	6903-11001	Shaft		1
22	6803-11037	Dampening Fountain Roller		1
23	6803-12018	Spacer		1
24	6803-12020	Gear		1
25	6803-12027	Bushing		1
26	6803-12017	Clutch		1
27	6803-12021	Clutch		1
28	6803-12019	Eccentric Stud		1
29	I03-48-3	Bearing		2
30	I03-49-3	Bearing Spacer		2
31	6803-12042	Dampening Form Roller Cover		1
32	6803-12013	Dampening Form Roller		1
33	6803-12014	Dampening Form Roller Shaft		1
34	183-151	Roll Pin		1
35	6803-12016	Dampening Form Roller Shaft		1
36	185-1615.01	Collar		1
37	145-355	Set Screw		1
38	181-404	E-Ring		2
39	I01-43-3	Spacer		2
40	I01-32-3	Spring		1
41	7203-06022	Ductor Roller Ratch		2
42	6803-06002	Ductor Roller Shaft		1
43	181-008	C-Ring		2
44	250-088.7	Bearing		2
45	6803-12001	Ductor Roller		1
46	6803-12041	Ductor Roller Cover		1
47	7203-06024	Pin		1
48	I01-33-3	Spring		1
49	7203-04032	Bushing		1
50	7203-06011A	Ductor Roller Bracket		1
51	243-633	Bushing		2
52	CP03-34	Roll Pin		1
53	7203-06009	Bracket		1
54	6803-06003	Ductor Roller Shaft		1
55	7203-06010A	Ductor Roller Bracket Assy		1
56	6903-11004	Knob		2
57	6803-11010	Water Stop Shaft		1
58	R05-01-3	Water Stop		8
59	117-510.01	Screw		2
60	180-105.01	Lock Washer		2
61	6803-11019	Hose		1
62	6803-11001	Dampening Fountain Tray		1
63	6803-11031	Tray Support		1
64	6803-12031A	Bracket Assy	(11~15, 18)	1
65	6803-12032A	Bracket Assy	(11~15, 20)	1
66	6803-12014A	Dampening Form Roller Shaft Assy	(33~35)	1
67	6803-12020C	Gear Assy	(24, 25)	1
68	6803-12001A	Ductor Roller Assy	(44, 45)	1
69	6803-12001B	Ductor Roller Assy	(42~45)	1
70	6803-06003B	Dampening Ductor Roller Frame Assy	(36~41, 47, 48, 50~55, 71)	1

W1039



W1040



RS34	RS34L	VS34	VS34L
○	○	○	○

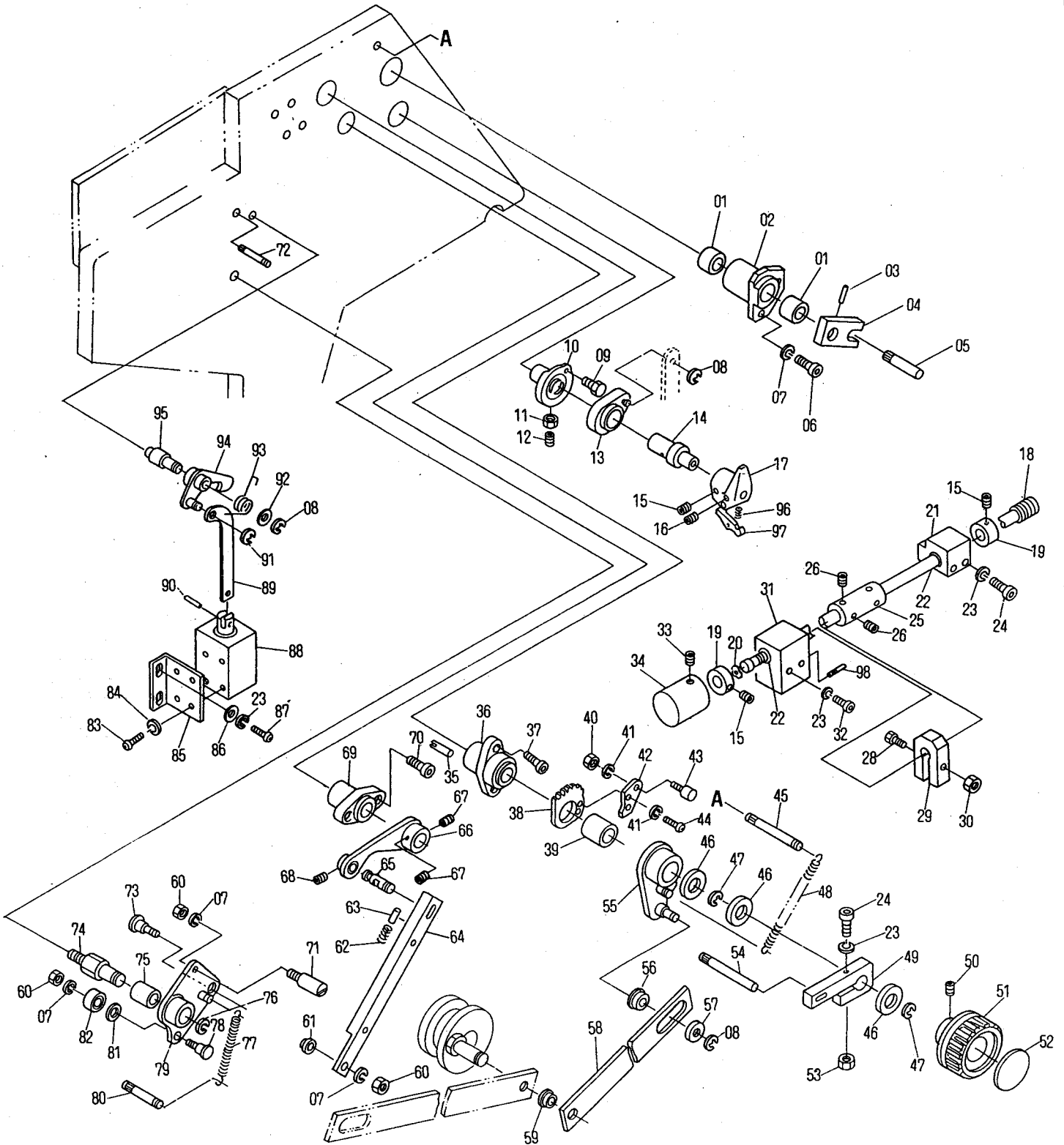
**Dampening Section
Side Frame (Molleton System)**

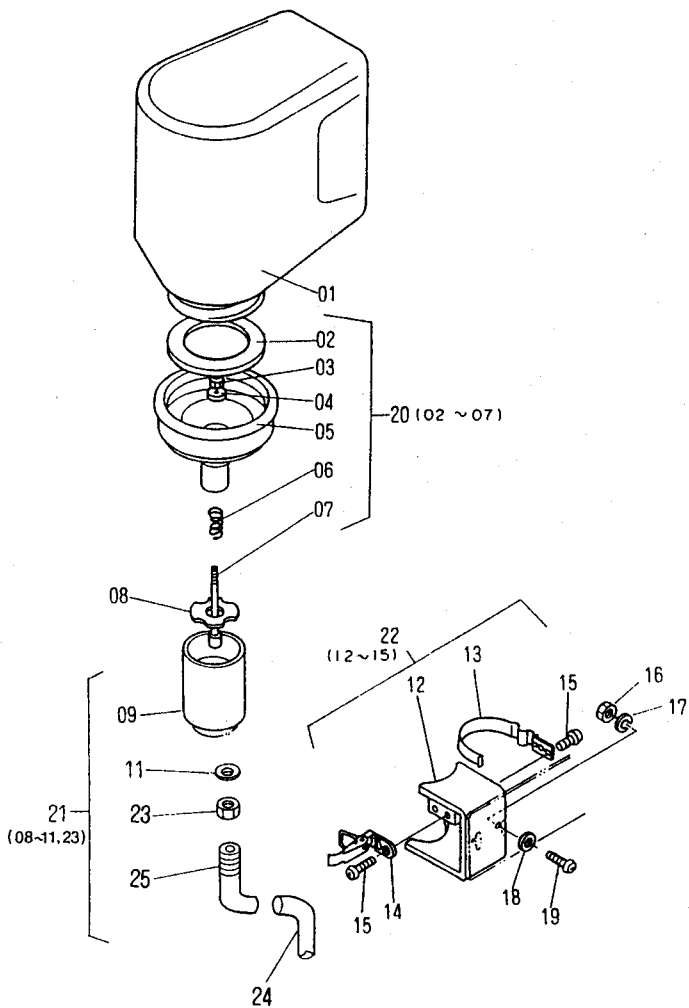
W1040

INDEX No.	Parts No.	Description	Remarks	Units Per Assy
01	5803-04124	Bearing	Included in 02	2
02	6803-18056A	Bushing Bracket		1
03	183-187	Roll Pin		1
04	6803-18060	Plate		1
05	5102-03127	Pin		1
06	117-365	Screw		2
07	180-106	Lock Washer		5
08	181-406	E-Ring		3
09	7203-03013	Screw		1
10	7203-03006	Bracket		1
11	118-60-3	Nut		1
12	118-59-1A-3	Snubber		1
13	7203-03012A	Bracket		1
14	7203-03010	Bushing		1
15	145-355	Set Screw	Included in 17	3
16	145-358	Set Screw	Included in 17	1
17	118-46-1A-3	Handle		1
18	6803-11038	Worm Gear		1
19	185-1212.01	Collar		2
20	180-182	Wave Washer		1
21	6803-11027A	Block		1
22	243-618	Bushing		2
23	180-105	Lock Washer		4
24	117-532	Screw		2
25	5802-04163	Coupling		1
26	145-356	Set Screw		2
27	6903-11002	Shaft		1
28	101-381	Screw		1
29	6803-11043	Brake		1
30	I31-11-3	U-Nut		1
31	6803-11028A	Block		1
32	117-531	Screw		1
33	145-360	Set Screw		1
34	6803-11029	Indicator		1
35	225-0840.01	Pin		1
36	6803-11007	Bushing Bracket		1
37	117-512	Screw		2
38	6803-11025	Worm Wheel		1
39	7203-02039	Clutch		1
40	170-104	Nut		1
41	180-104	Lock Washer		3
42	7203-02020	Plate		1
43	7203-02022	Eccentric Pin		1
44	125-658	Screw		2
45	4807-02006	Spring Pin		1
46	CK08-63	Washer		3
47	181-412	E-Ring		2
48	I09-19-3	Spring		1
49	7203-02043	Brake		1
50	140-356	Set Screw		1
51	6805-02042	Handle		1
52	PC03-38	Name Plate		1
53	I31-10-3	U-Nut		1
54	5801-10086	Pin		1
55	6803-11026A	Lever		1
56	7203-02045	Bearing		1
57	7203-02037	Washer		1
58	6803-11020	Link		1
59	6803-05052	Bushing		1
60	170-106	Nut		3
61	6803-12058	Bushing		1
62	A03-77-3	Spring		1
63	R11-89-3	Pin		1
64	6803-12049	Link		1
65	6803-12012	Pin		1
66	6803-12050	Lever		1
67	145-504	Set Screw		2
68	145-505	Set Screw		1
69	6803-04020	Bushing Bracket		1
70	117-510	Screw		2

D

W1040





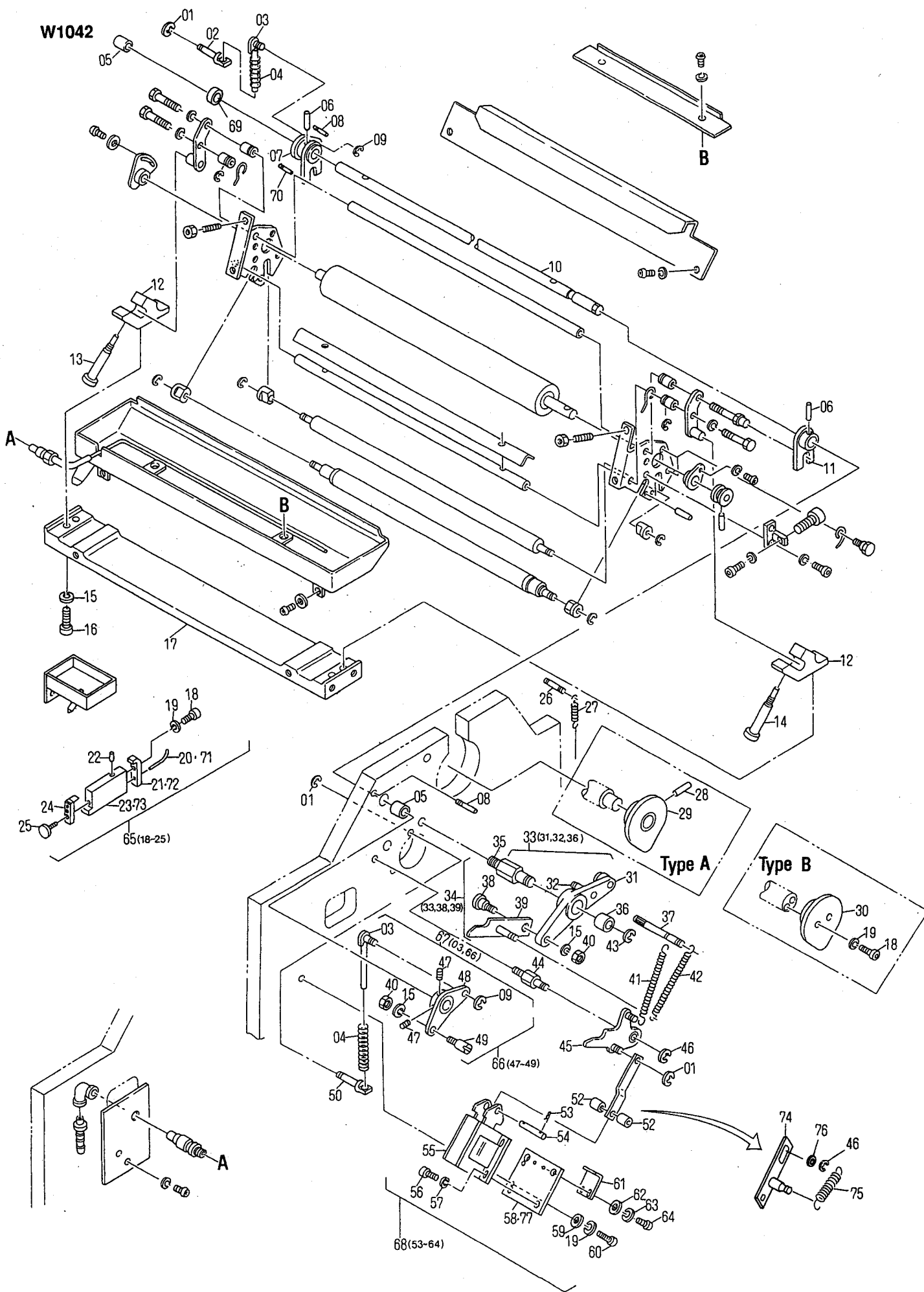
RS34	RS34L	VS34	VS34L
○	○	○	○

**Dampening Section
Dampening Fountain Bottle**

W1041

INDEX No.	Parts No.	Description	Remarks	Units Per Assy
01	5803-11036	Dampening Fountain Bottle		2
02	R03-21-3	Bottle Packing		2
03	R03-25-3	Nut		2
04	R03-23-3	Valve		2
05	R03-19-3	Fountain Bottle Valve Cap		2
06	R03-24-3	Valve Spring		2
07	R03-22-3	Valve Stem		2
08	WF-46	Stopper		2
09	WF-45	Fountain Cup		2
10	7203-16018	Joint		2
11	324-308	Packing		2
12	R51-89-3	Bottle Bracket		2
13	WF-40-1A	Band		2
14	WF-39	Band Clip		2
15	125-606	Screw		4
16	170-105	Nut		4
17	180-105	Lock Washer		4
18	184-105.3	Flat Washer		4
19	125-715	Screw		4
20	R03-19-0A-3	Fountain Bottle Cap Assy (02-07)		2
21	7203-16018A	Fountain Cup Assy (08-11, 25)		2
22	R51-89-1A-3	Bottle Bracket Assy (12-15)		2
23	7203-16019	Nut		2
24	6803-11019	Fountain Cup Hose		2
25	7203-16018	Joint		
26				
27				
28				
29				
30				
31				
32				
33				
34				
35				
36				
37				
38				
39				
40				
41				
42				
43				
44				
45				
46				
47				
48				
49				
50				
51				
52				
53				
54				
55				
56				
57				
58				
59				
60				
61				
62				
63				
64				
65				
66				
67				
68				
69				
70				

D

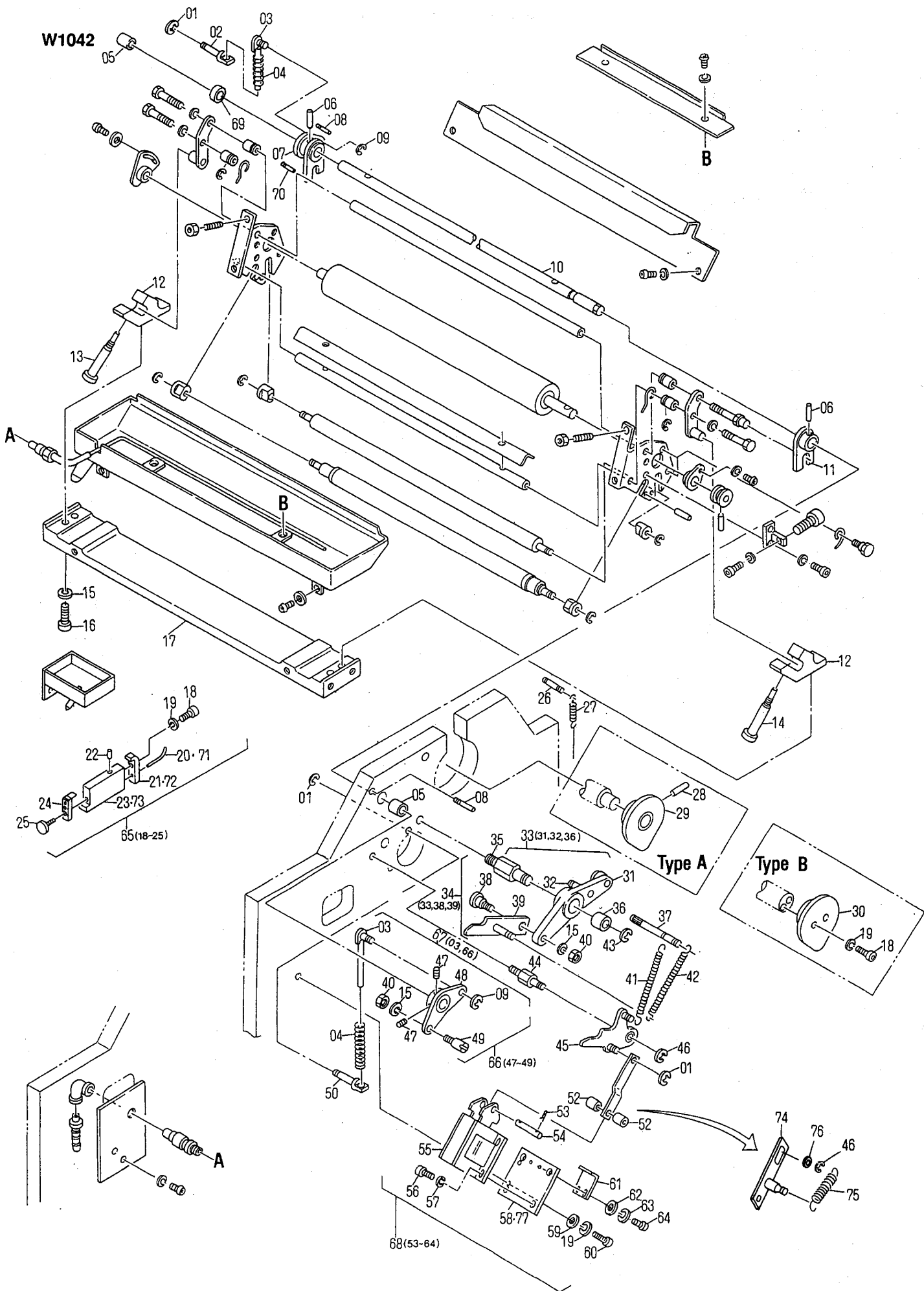


RS34	RS34L	VS34	VS34L
—	○	—	○

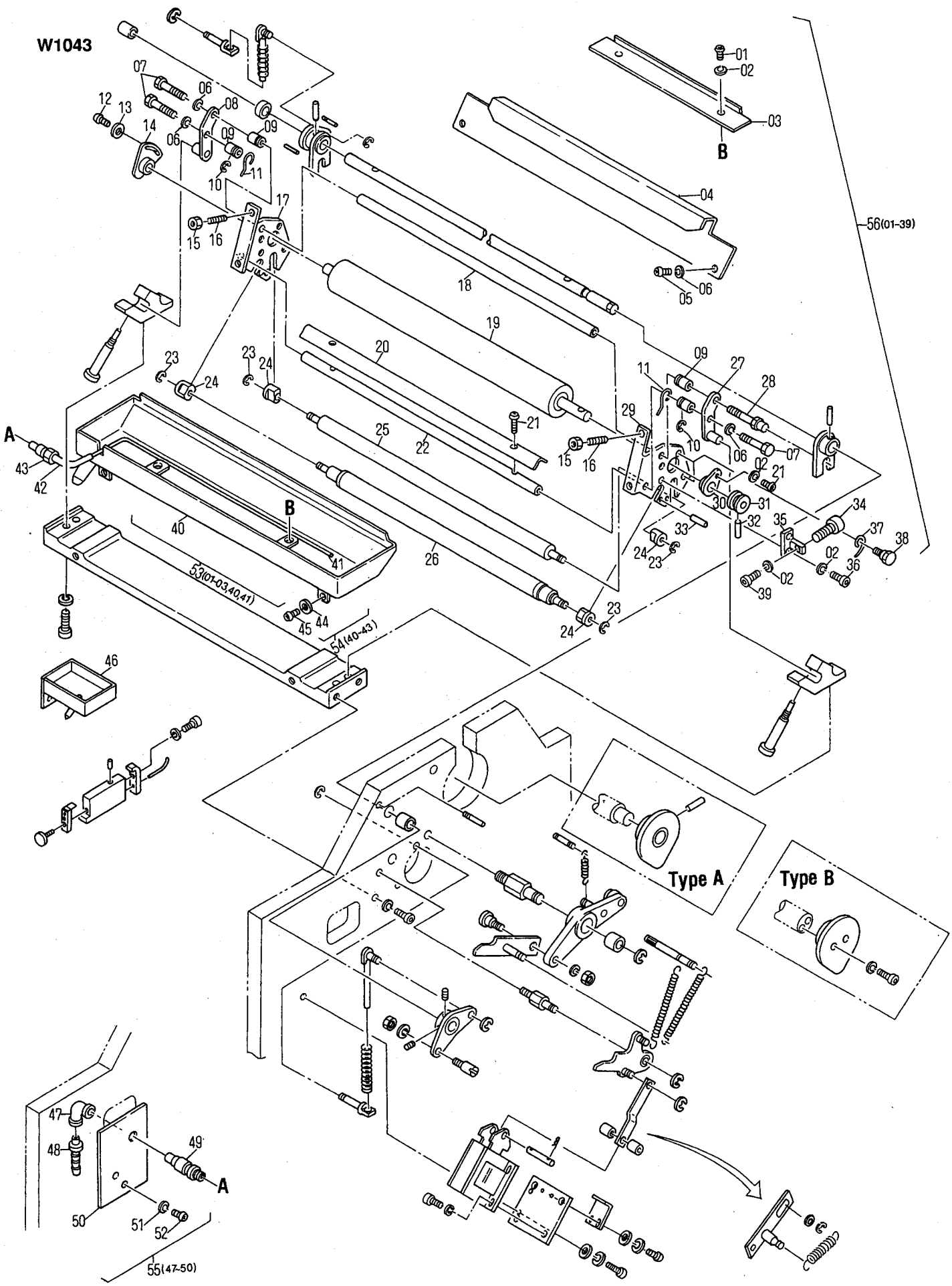
Blanket Cleaner (Side Frame)

W1042

INDEX No.	Parts No.	Description	Remarks	Units Per Assy
01	181-404	E-Ring		2
02	6903-09006	Pin		1
03	6903-09019A	Pin		1
04	6903-09035	Spring		2
05	243-620	Bushing		2
06	183-206.01	Roll Pin		2
07	6903-09007A	Lever	NOP-S	1
08	X06-51-3	Pin		2
09	181-404	E-Ring		2
10	6903-09005	Shaft		1
11	6903-09032A	Lever	OP-S	1
12	6903-09001	Bracket		2
13	6903-09051	Screw	NOP-S	1
14	6903-09051	Screw	OP-S	1
15	180-106	Lock Washer		6
16	117-380	Screw		4
17	6902-01003	Bracket		1
18	117-515	Screw		4
19	180-105	Lock Washer		6
20	6902-01007	Guide (ø3)		2
21	6902-01008	Bracket		2
22	145-510	Set Screw		2
23	6902-01004	Bracket		2
24	6902-01005A	Bracket Assy		2
25	A04-63-3	Screw		2
26	223-0632.01	Pin		1
27	X04-14-3	Spring		1
28	183-209	Roll Pin		1
29	6903-09030	Cam		1
30	6903-09047A	Cam		1
31	6903-09027A	Lever Assy		1
32	223-0625.01	Pin		1
33	6903-09027B	Lever Assy (31, 32, 36)		1
34	6903-09027C	Lever Assy (33, 38, 39)		1
35	6903-09028	Stud Pin		1
36	PC13-26	Bushing Included in 34		1
37	6903-09017	Pin		1
38	6903-09026	Eccentric Pin		1
39	6903-09025A	Lever		1
40	170-106	Nut		2
41	5203-09059	Spring		1
42	M56-31-02-3	Spring		1
43	181-410	E-Ring		1
44	6903-09024	Stud Pin		1
45	6903-09023A	Lever		1
46	181-406	E-Ring		1
47	145-505	Set Screw		2
48	6903-09020A	Lever		1
49	6903-09022	Pin		1
50	6903-09018	Pin	OP-S	1
51	6903-09016	Link		1
52	H03-36-3	Spacer		2
53	6801-03014	Snup Pin		2
54	6801-03013	Solenoid Pin		1
55	E09-60-01-3	Solenoid		1
56	117-410	Screw		4
57	180-104	Lock Washer		4
58	6903-09015	Solenoid Bracket		1
59	184-105	Flat Washer		2
60	117-510	Screw		2
61	5103-08116	Stopper		1
62	184-103	Flat Washer		2
63	180-103	Lock Washer		2
64	125-608	Screw		2
65	6902-01004A	Guide Assy (18-25)		2
66	6903-09020B	Lever Assy (47-49)		1
67	6903-09020C	Lever Assy (03, 66)		1
68	6903-09015A	Solenoid Bracket Assy (53-64)		1
69	M11-07-3	Spacer		1
70	X06-51-3	Pin		1



W1043



RS34	RS34L	VS34	VS34L
—	○	—	○

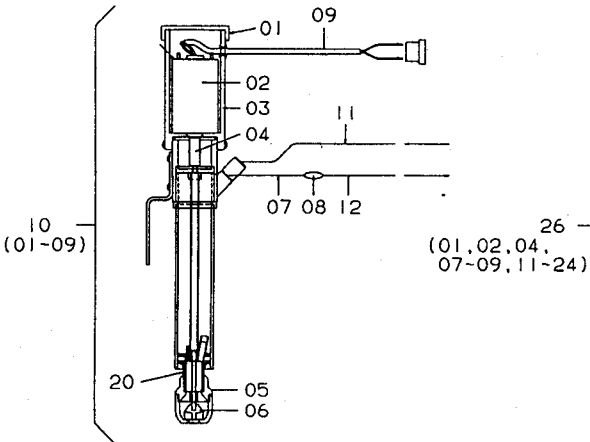
Blanket Cleaner (Unit)

W1043

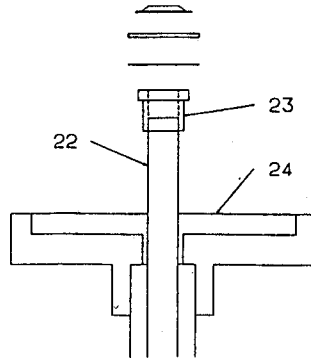
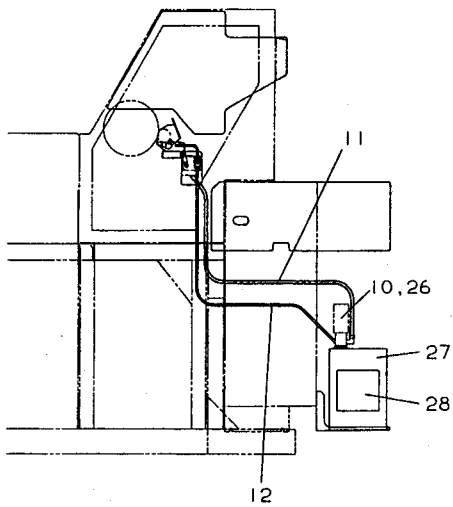
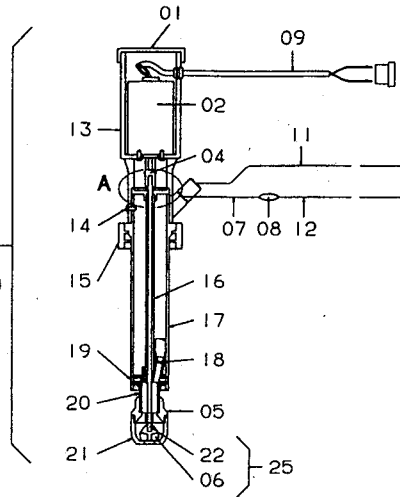
INDEX No.	Parts No.	Description	Remarks	Units Per Assy
01	125-106.01	Screw		2
02	180-104.01	Lock washer		7
03	6903-09039	Cover		1
04	6903-09042	Cover		1
05	125-760.01	Screw		2
06	180-106.01	Lock Washer		5
07	117-381.01	Screw		3
08	6903-09033	Lever	NOP-S	1
09	6903-09009	Spacer		4
10	181-408.01	E-Ring		2
11	6903-09004	Spring		2
12	125-662.01	Screw		1
13	184-104.01	Flat Washer		1
14	6903-09034	Bushing Bracket	NOP-S	1
15	170-106.01	Nut		2
16	101-370.01	Screw		2
17	6903-09002	Frame	NOP-S	1
18	6903-09008	Shaft		2
19	6803-09035	Cleaning Roller		1
20	6903-09031	Cover		1
21	125-658.01	Screw		3
22	6803-09038	Shaft		1
23	181-406.01	E-Ring		4
24	5103-09157	Bushing Bracket		4
25	6803-09037	Squeeze Roller		1
26	6803-09036	Mesh Roller		1
27	6903-09011	Lever	OP-S	1
28	6903-09012	Bolt	OP-S	1
29	6903-09003	Frame	OP-S	1
30	5103-09020	Bushing Bracket	OP-S	1
31	5103-09017	Cam		1
32	183-183.01	Roll Pin		1
33	183-181.01	Roll Pin		2
34	5203-09006	Cam Follower		1
35	6803-09039	Bracket		1
36	117-410.01	Screw		2
37	6903-09044	Spring		2
38	5103-09158	Eccentric Pin		1
39	170-104.01	Nut		1
40	6903-09038	Solvent Tray		1
41	6903-09037	Pipe		1
42	6003-09057	Hose		1
43	5103-09103	Plug		1
44	184-105.01	Flat Washer		2
45	125-160.01	Screw		2
46	CP09-284	Tray		1
47	320-401	Elbow		1
48	321-604	Plug		1
49	5103-09104	Joint		1
50	6903-09045	Plate		1
51	180-105	Lock Washer		2
52	125-730	Screw		2
53	6903-09038A	Solvent Tray Assy	(01~03, 40, 41)	1
54	6903-09038B	Solvent Tray Assy	(40~43)	1
55	6903-09045A	Joint Assy	(47~50)	1
56	6903-09003A	Blanket Cleaner Unit	(01~39)	1
57				
58				
59				
60				
61				
62				
63				
64				
65				
66				
67				
68				
69				
70				

E

OLD TYPE



NEW TYPE



DETAIL A

RS34	RS34L	VS34	VS34L
—	○	—	○

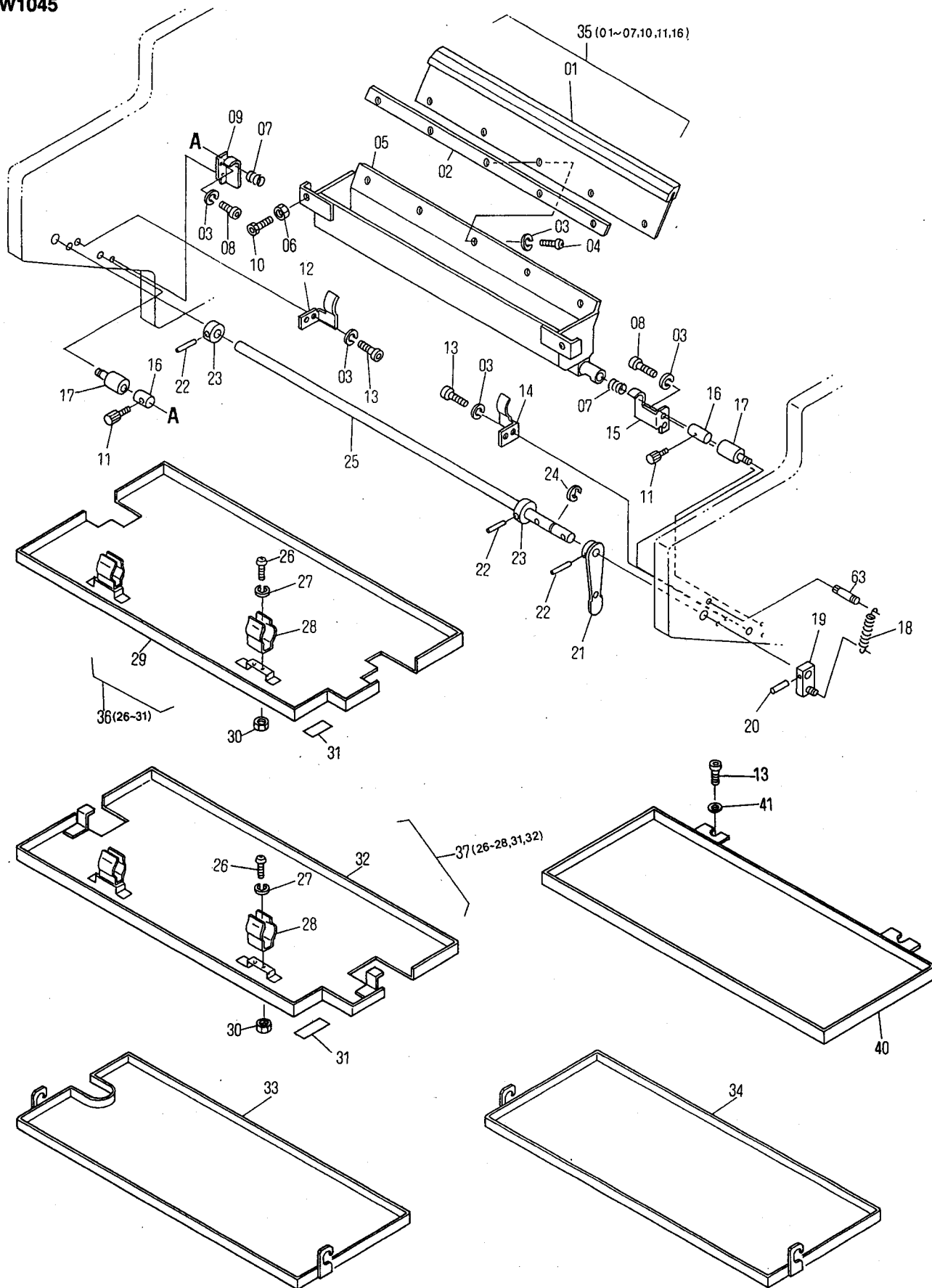
Pump for Blanket Cleaning Solvent

W1044

INDEX No.	Parts No.	Description	Remarks	Units Per Assy
01	6003-09047	Cap		2
02	E01-111-3	Motor		2
03	6003-09046	Motor Case		2
04	6003-09036	Joint		2
05	6003-09017	Cap		2
06	6003-09019	Fan		2
07	6003-09057	Hose (ø5 × 200l)		2
08	6003-09045	Hose Union		2
09	E34-65-66-3	Wire Assy		2
10	6003-09035C	Pump Assy (01-09)		2
11	7203-09161	Hose (ø9)		1
12	7203-09157	Hose (ø5)		1
13	6003-09064	Motor Case		1
14	6003-09059	Screw		6
15	6003-09071	Cap		1
16	6003-09066	Pipe		1
17	6003-09067	Tube		1
18	6003-09070	Hose Band		1
19	6003-09058	Screw		5
20	6003-09048	Pump Case		1
21	6003-09018	Cap		1
22	6003-09065	Shaft		1
23	6003-09069	Bushing		1
24	6003-09068	Holder		1
25	6003-09065A	Shaft with Fan (06, 22)		1
26	6003-09064A	Pump Assy (01, 02, 04, 07-09, 11-24)		1
27	6003-09061A	Can		1
28	6003-09063	Name Plate Included in 27		1
29				
30				
31				
32				
33				
34				
35				
36				
37				
38				
39				
40				
41				
42				
43				
44				
45				
46				
47				
48				
49				
50				
51				
52				
53				
54				
55				
56				
57				
58				
59				
60				
61				
62				
63				
64				
65				
66				
67				
68				
69				
70				

E

W1045



RS34	RS34L	VS34	VS34L
○	○	○	○

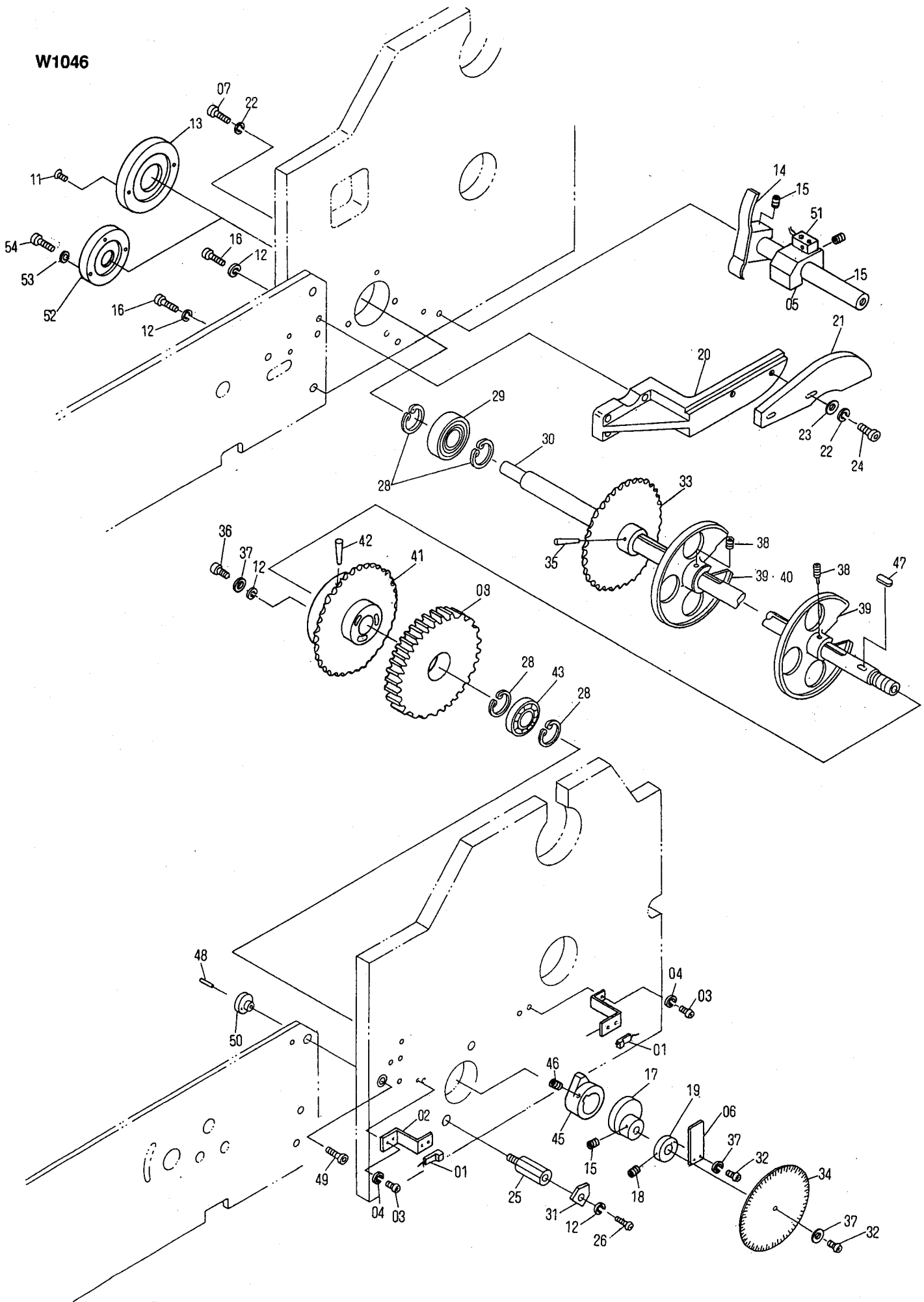
**Inking Section
Ink Clean-up Attachment**

W1045

INDEX No.	Parts No.	Description	Remarks	Units Per Assy	
01	6803-07003	Clean-up Attachment Blade		2	
02	6803-07004	Blade Retainer		2	
03	180-105	Lock Washer		22	
04	125-708	Screw		10	
05	6803-07001	Tray Hanger		1	
06	170-105	Nut		2	
07	R51-86-3	Spring		2	
08	117-525	Screw		4	
09	6903-07003	Bracket		1	
10	101-520T	Screw		2	
11	6803-07012	Knob		2	
12	6803-07014	Flat Spring		1	
13	117-510	Screw		4	
14	6803-07013	Flat Spring		1	
15	6903-07002	Bracket		1	
16	6803-07011	Slide Shaft		2	
17	6803-07007	Pin		2	
18	4808-07070	Spring		1	
19	6803-07032A	Lever		1	
20	183-183	Roll Pin		1	
21	6803-07006A	Handle		1	
22	183-184	Roll Pin		3	
23	6803-07005	Cam		2	
24	181-408	E-Ring		1	
25	6803-07033	Attachment Operating Shaft		1	
26	125-656	Screw		8	
27	180-104	Lock Washer		8	
28	6803-07034	Flat Spring		2	
29	6903-07001	Tray	Two Form Rollers	1	
30	170-104	Nut		8	
31	6805-04029	Name Plate		1	
32	6903-07006	Tray	Three Form Rollers	1	
33	6903-07007	Tray	RS34L	1	
34	6903-07004	Tray	RS34	1	
35	6803-07001B	Ink Clean-up Attachment	(01-07, 10, 11, 16)	1	
36	6903-07001A	Tray	(26-31)	Three Form Rollers	1
37	6903-07006A	Tray	(26-28, 31, 32)	Two Form Rollers	1
38	6803-07035	Tray	(VS-4F038~)	Two Form Rollers	1
39	6803-07035A	Tray	(26-28, 30, 31) (VS-4F038~)	Two Form Rollers	1
40	6803-07036	Tray	(VS-4F038~)	Two Form Rollers	1
41	184-105	Flat Washer		2	
42					
43					
44					
45					
46					
47					
48					
49					
50					
51					
52					
53					
54					
55					
56					
57					
58					
59					
60					
61					
62					
63					
64					
65					
66					
67					
68					
69					
70					

E

W1046



RS34	RS34L	VS34	VS34L
○	○	○	○

Delivery Section Delivery Drive Mechanism and Paper Guide

W1046

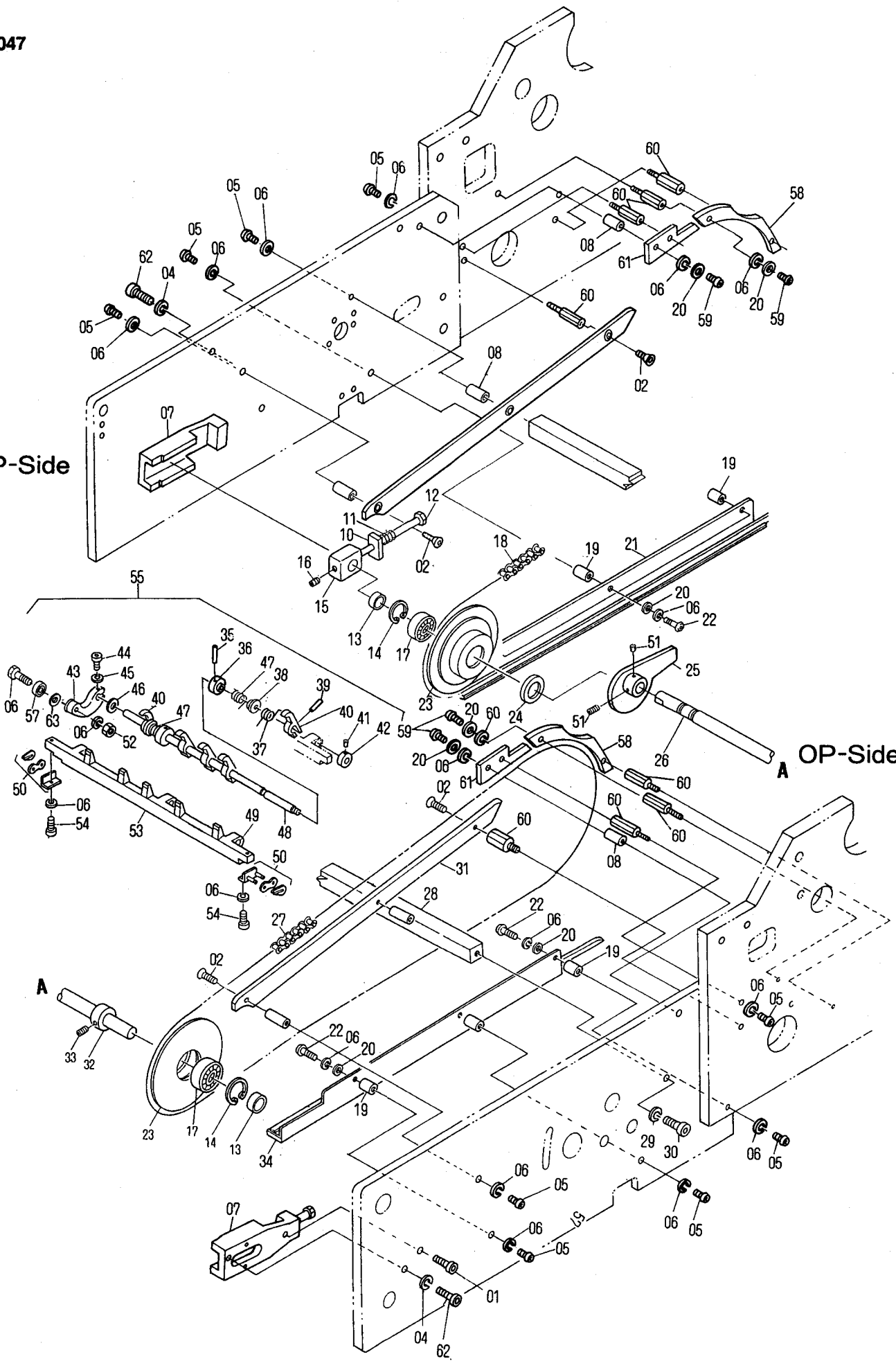
INDEX No.	Parts No.	Description	Remarks	Units Per Assy
01	E26-75-3	Sensor		2
02	6904-02016	Sensor Bracket		2
03	125-710	Screw		4
04	180-105	Lock Washer		4
05	7204-01012	Bracket	Option (RS34, VS34)	1
06	CK18-34	Timing Cam		1
07	117-480	Screw		2
08	6804-02037	Delivery Drive Gear		1
09	6802-01005	Shaft		1
10	125-606	Screw		2
11	122-170	Screw		3
12	180-106	Lock Washer		8
13	6804-02022	Bearing Retainer	Old Type	1
14	6904-03017	Paper Guide		2
15	746-356	Set Screw		4
16	117-365	Screw		4
17	6904-03015	Cam		1
18	145-508	Set Screw		1
19	CK18-33	Collar		1
20	6904-02013	Delivery Gripper Receiving Cam Bracket		1
21	6904-02003	Delivery Gripper Receiving Cam		1
22	180-108	Lock Washer		4
23	184-108	Flat Washer		2
24	117-470	Screw		2
25	B52-57-3	Stud		1
26	125-758	Screw		1
27	180-103	Lock Washer		4
28	181-025	C-Ring		4
29	250-205.8	Bearing		1
30	6804-02044	Drive Shaft		1
31	5802-10058	Indicator		1
32	125-760	Screw		1
33	6904-02011	Drive Sprocket		1
34	5802-10109	Angle Indicated Plate		1
35	182-212	Taper Pin		1
36	117-375	Screw		3
37	184-106	Flat Washer		4
38	140-362	Set Screw		2
39	HC02-58A	Paper Guide Wheel		2
40	A			
41	6904-02004	Sprocket		1
42	182-212	Taper Pin		1
43	250-205.6	Bearing		1
44	6804-03021	Cam		1
45	6902-10011	Cam		1
46	145-355	Set Screw		1
47	188-070	Key		1
48	183-180	Roll Pin		6
49	117-475	Screw		6
50	6804-01008	Nut		6
51	E26-74-3	Sensor	Option (RS34)	1
52	6804-02045	Bearing Retainer	New Type	1
53	180-106	Lock Washer		3
54	117-370	Screw		3

F

W1047

NOP-Side

OP-Side



RS34	RS34L	VS34	VS34L
○	○	○	○

Delivery Section
Gripper Bar and Chain Guide

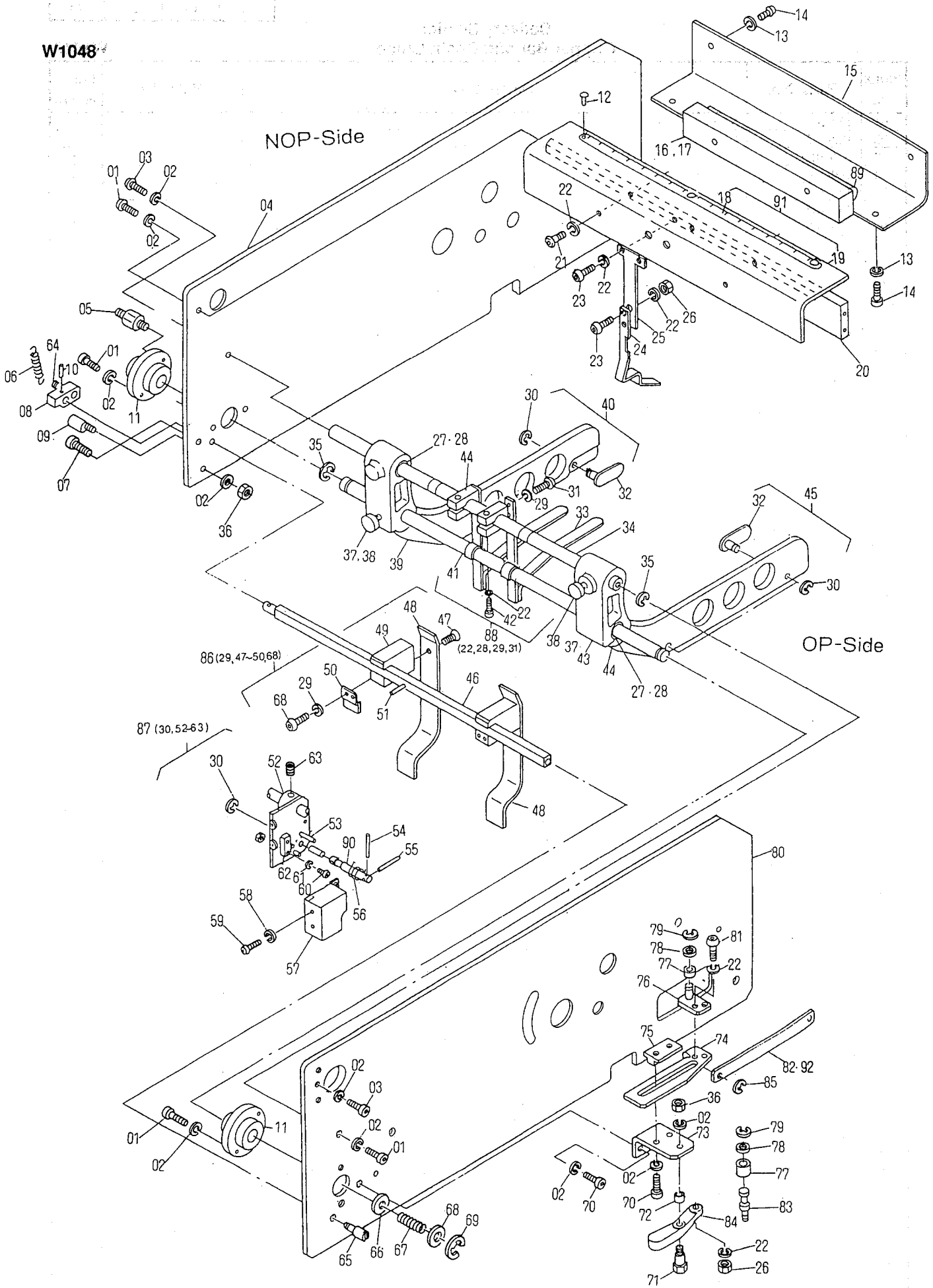
W1047

INDEX No.	Parts No.	Description	Remarks	Units Per Assy
01	122-162	Screw		1
02	122-112	Screw		6
03	F46-10-3	Spacer		3
04	180-106	Lock Washer		5
05	125-715	Screw		12
06	180-105	Lock Washer		35
07	7204-02042	Slide Base		2
08	7204-02044	Spacer		6
09	7204-02024	Chain Guide Rail	NOP-S	1
10	HC02-36	Breather Adjustment Nut		2
11	A03-24-3	Breather Spring		2
12	A17-23-3	Breather Screw		2
13	HC02-20	Spacer		2
14	181-235	C-Ring	Included in 23	2
15	HC02-35	Driven Sprocket Pilot Block		2
16	145-362	Set Screw		2
17	250-202.7	Bearing	Included in 23	2
18	HC02-34D	Chain	NOP-S	1
19	7204-02045	Spacer		6
20	184-105	Flat Washer		14
21	7204-02022	Chain Guide Rail	NOP-S	1
22	125-715	Screw		6
23	6804-02031A	Delivery Driven Sprocket		2
24	6804-02040	Spacer		1
25	6904-02017	Gripper Release Cam		1
26	6804-02039	Drive Sprocket Shaft		1
27	HC02-34C	Chain	OP-S	1
28	6804-01006	Spreader		1
29	180-108	Lock Washer		2
30	117-468	Screw		2
31	7204-02023	Chain Guide Rail	OP-S	1
32	PS-14	Collar		1
33	145-355	Set Screw		1
34	6904-02001	Chain Guide Rail	OP-S	1
35	145-506	Set Screw		6
36	HC02-33	Collar		6
37	6804-02018	Spring		15
38	HC02-32	Spacer		6
39	183-182	Roll Pin		18
40	A17-46-02-3	Gripper Finger		15
41	145-404	Set Screw		3
42	A03-93-3	Collar		3
43	7204-02043	Gripper Operating Lever		3
44	117-415	Screw		3
45	180-104	Lock Washer		3
46	S27-17-3	Spacer		3
47	CH02-26	Spring		6
48	6804-02035	Gripper Shaft		3
49	243-609	Bushing		9
50	5104-02032A	Chain Joint Assy		6
51	145-358	Set Screw		2
52	170-105	Nut		3
53	6904-02012A	Gripper Bar Assy		3
54	117-510	Screw		6
55	6904-02012B	Gripper Bar Assy	(35 ~ 49, 53, 54, 57)	3
56	A03-50-01-3	Bearing Pin		3
57	250-125.6	Bearing		3
58	6904-02002	Chain Guide Rail		2
59	125-715	Screw		8
60	6904-02008	Stud Pin		8
61	7204-02038	Chain Guide Rail		2
62	117-358	Screw		5

W1048

NOP-Side

OP-Side



RS34	RS34L	VS34	VS34L
○	○	○	○

**Delivery Section
Front Guide and Delivery Pile Guide**

W1048

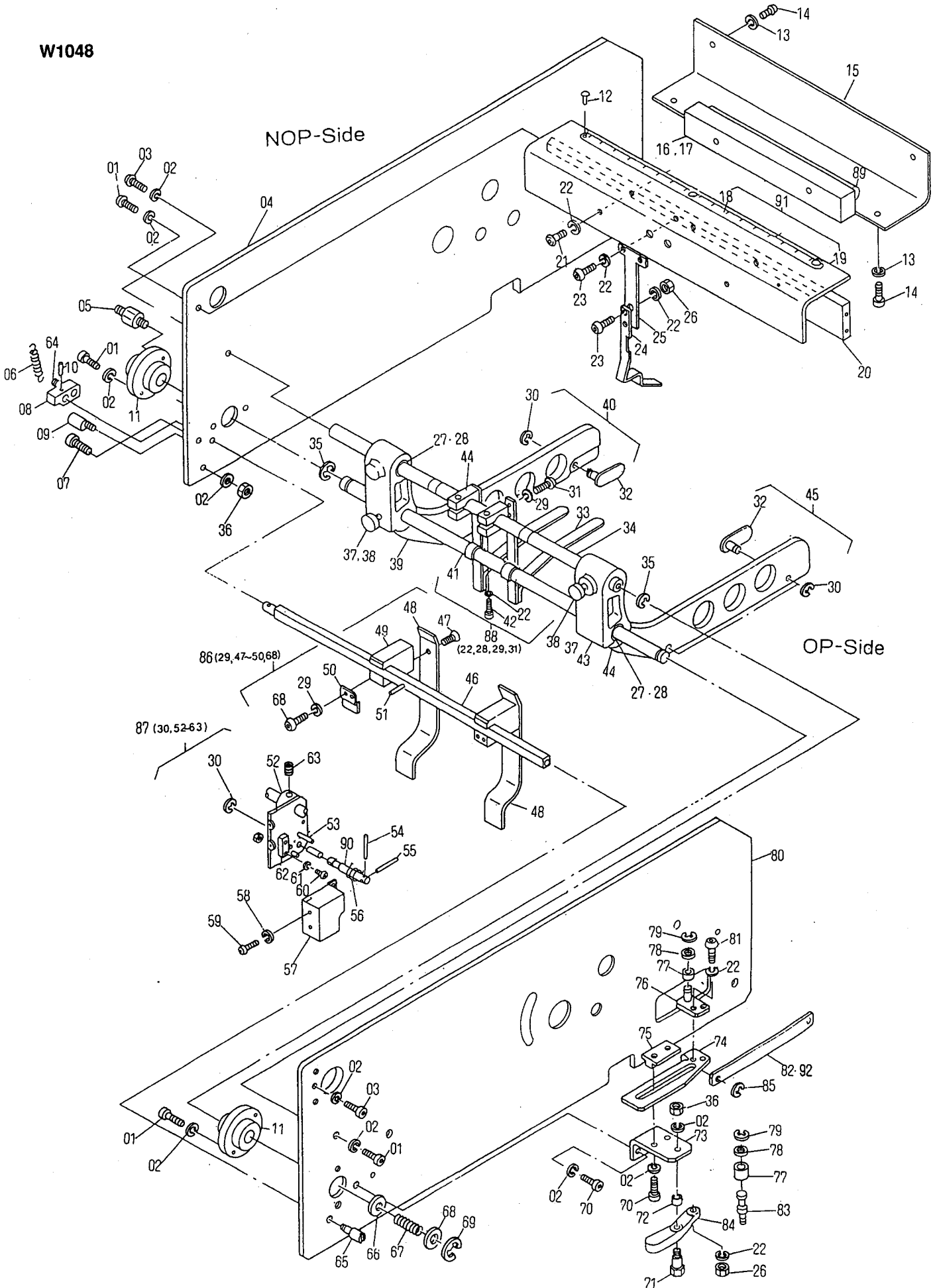
INDEX No.	Parts No.	Description	Remarks	Units Per Assy
01	117-365	Screw		7
02	180-106	Lock Washer		15
03	117-365	Screw		2
04	6904-01002	Delivery Frame		1
05	7204-03034	Screw Stud		1
06	A14-09-3	Spring		1
07	117-356	Screw		1
08	6504-04007A	Front Guide Shaft Lever		1
09	7204-03033	Eccentric Pin		1
10	183-186	Roll Pin		1
11	7204-03029	Bushing		2
12	190-021.2	Rivet	Included in 93	3
13	180-104.01	Lock Washer		4
14	125-658.01	Screw		4
15	6804-01013	Fluorescent Work Light Cover		1
16	E24-10-3	Fluorescent Work Light Holder	For 50Hz	1
17	E24-09-3	Fluorescent Work Light Holder	For 60Hz	1
18	6803-02030	Scale	Included in 93	1
19	6904-01006	Fluorescent Work Light Cover	Included in 93	1
20	6904-01005	Delivery Frame Spreader		1
21	125-706	Screw		2
22	180-105	Lock Washer		11
23	125-708	Screw		4
24	7204-03040	Holding Finger		1
25	7204-03031	Holding Finger Bracket		1
26	170-105	Nut		2
27	243-623	Bushing	Included in 39, 43	2
28	243-624	Bushing	Included in 39, 43	2
29	180-104	Lock Washer		8
30	181-406	E-Ring		5
31	125-665	Screw		4
32	DJ-60-1A	Guide Piece		4
33	6904-02018	Paper Stripper		2
34	6904-01004	Delivery Frame Outer Spreader		1
35	181-412	E-Ring		3
36	170-106	Nut		2
37	A04-80-3	Pad		2
38	A04-63-3	Thumb Screw		2
39	6904-03021A	Delivery Pile Guide	NOP-S	1
40	6904-03021B	Delivery Pile Guide Assy (30, 32, 39)	NOP-S	1
41	6804-03035	Delivery Jogger Shaft		1
42	117-525	Screw		2
43	6904-03020A	Delivery Pile Guide	OP-S	1
44	A18-64-3	Bracket		2
45	6904-03020B	Delivery Pile Guide Assy (30, 32, 43)	OP-S	1
46	6904-03028	Front Guide Cross Bar		1
47	125-108	Screw		4
48	6804-03050	Front Guide		2
49	7204-03042	Bracket		2
50	CH03-30	Flat Spring		2
51	183-210	Roll Pin		1
52	6904-03029	Bracket		1
53	183-189	Roll Pin		2
54	183-186	Roll Pin		1
55	183-190	Roll Pin		1
56	7204-03038	Spring		1
57	6904-03030	Cover		1
58	180-103	Lock Washer		2
59	125-606	Screw		2
60	125-620	Screw		2
61	180-103	Lock Washer		2
62	E10-38-3	Micro Switch		2
63	145-356	Set Screw		1
64	G07-51-1	Pin	Included in 08	1
65	A14-02-3	Screw Stud		1
66	184-112	Flat Washer		1
67	A18-52-3	Spring		1
68	I23-54-3	Washer		2
69	181-410	E-Ring		1
70	117-362	Screw		4

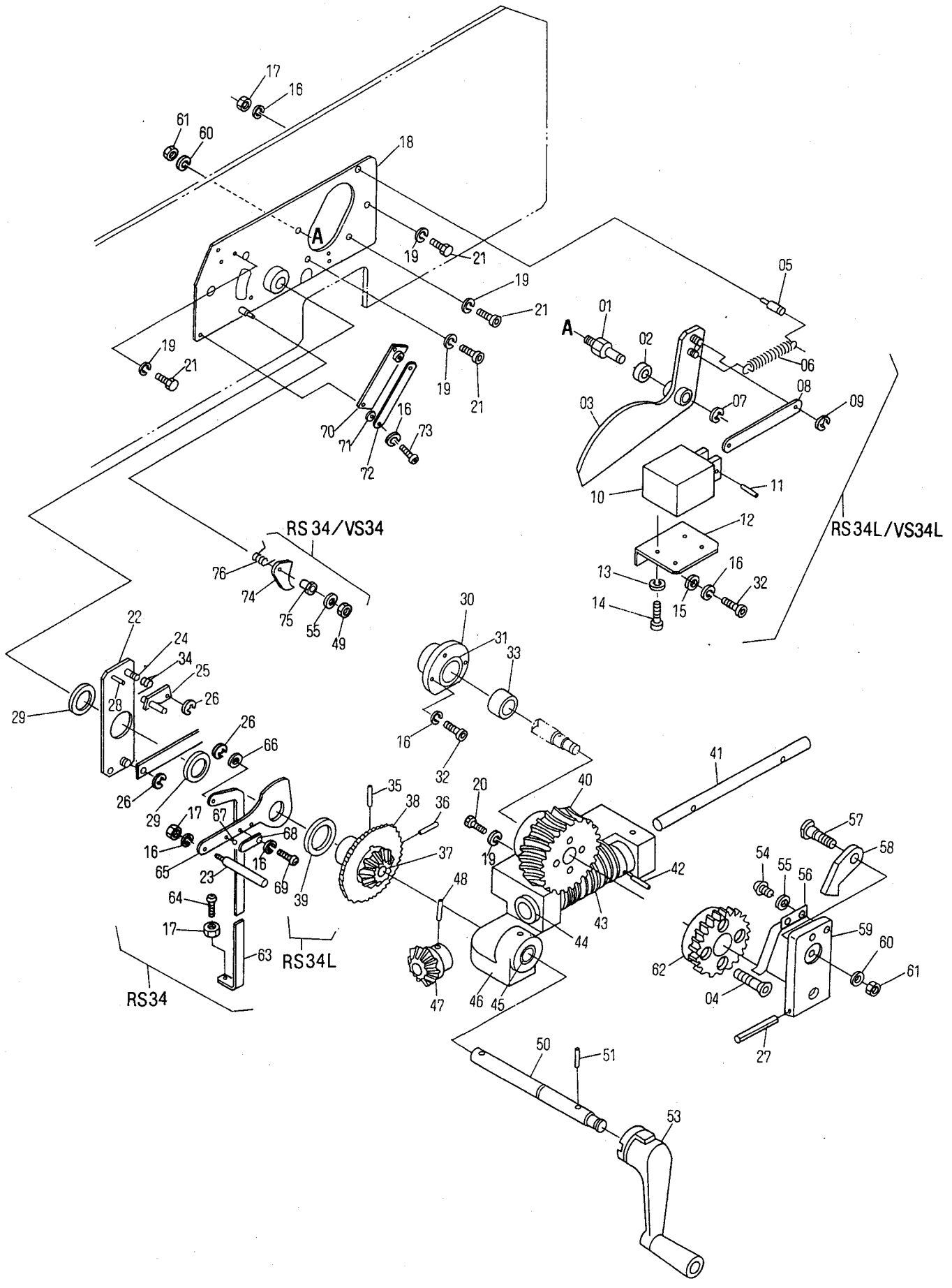
F

W1048

NOP-Side

OP-Side





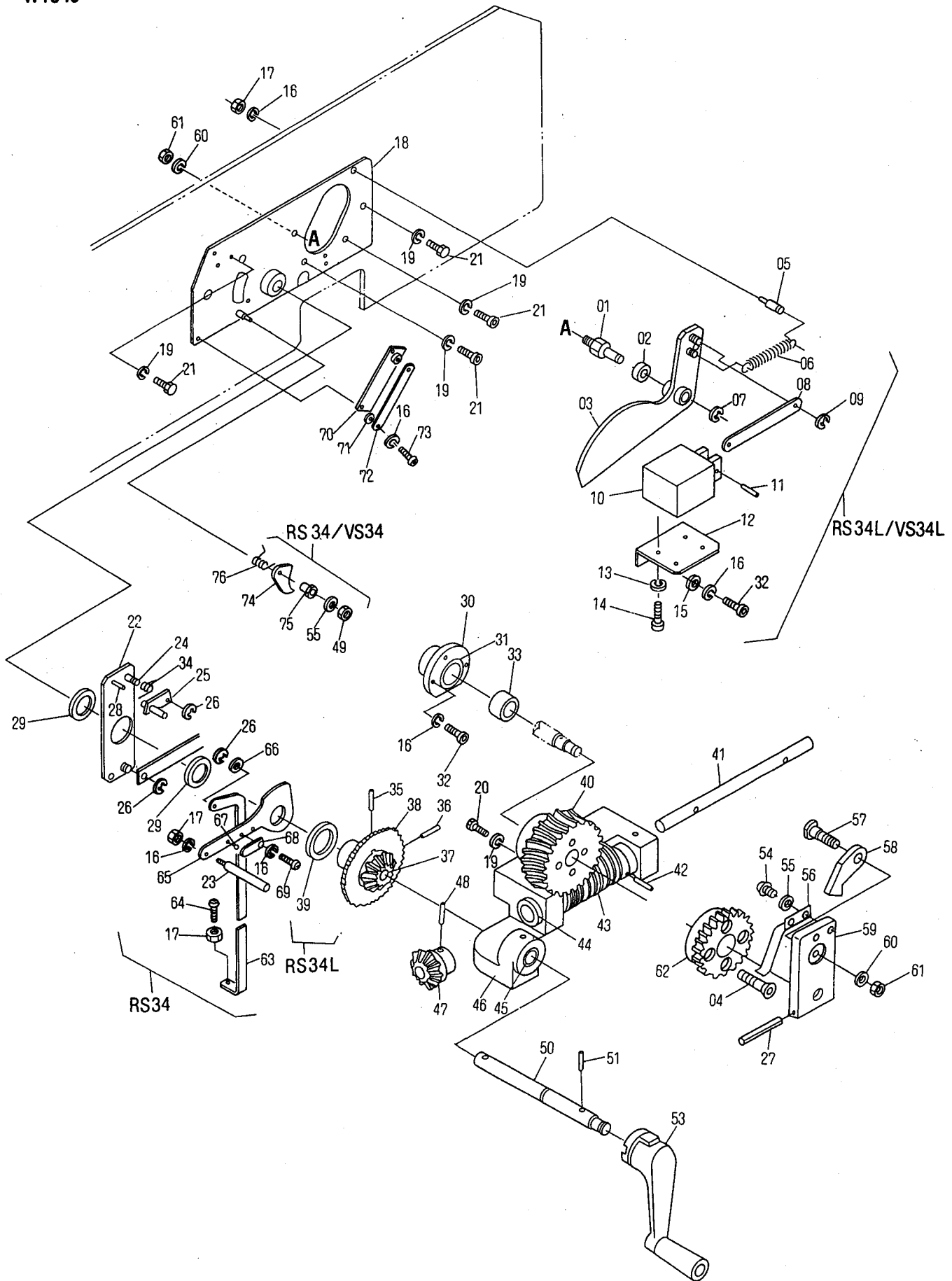
RS34	RS34L	VS34	VS34L
○	○	○	○

**Delivery Section
Related Parts for Delivery Pile Ratchet Plate**

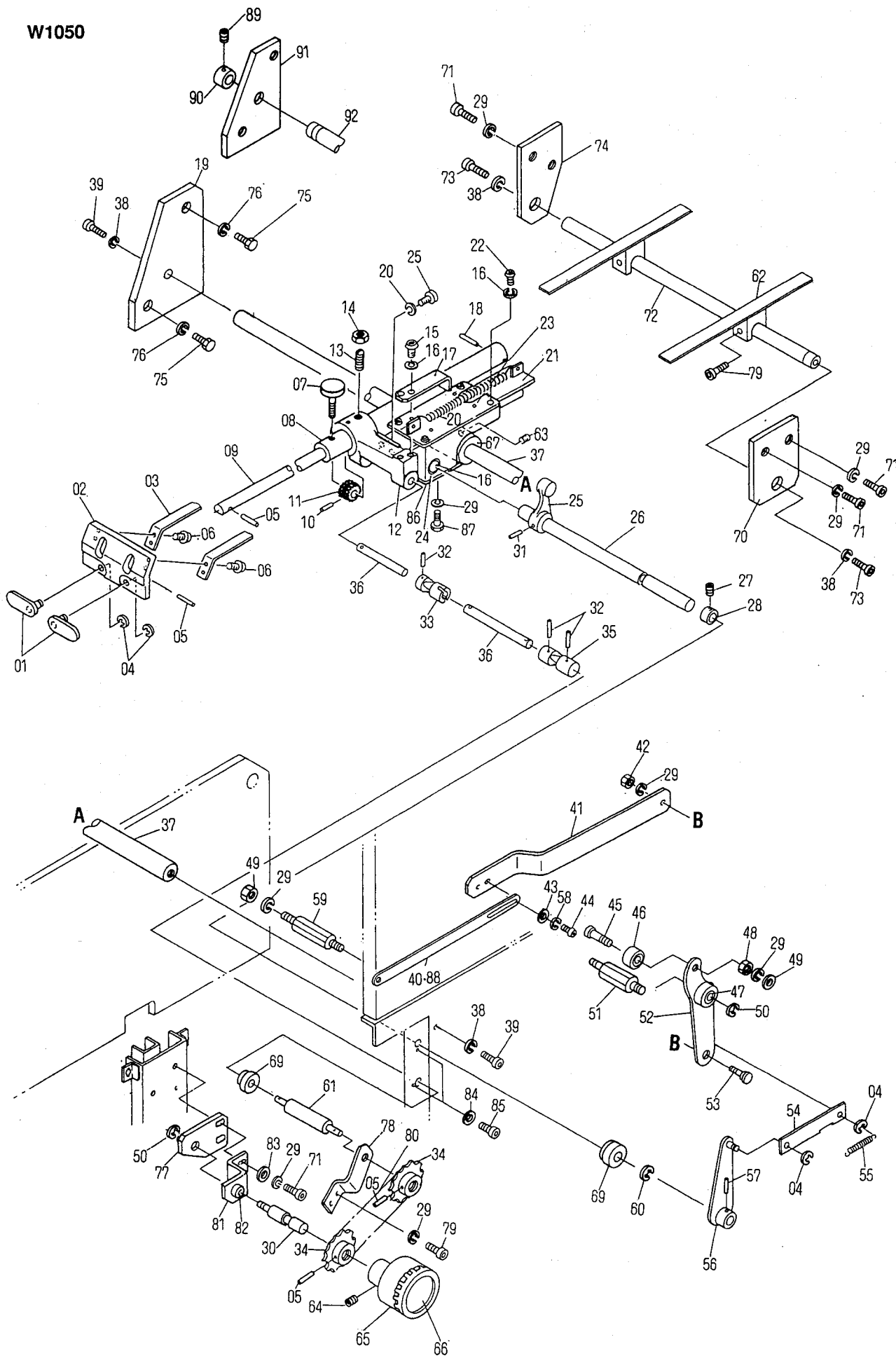
W1049

INDEX No.	Parts No.	Description	Remarks	Units Per Assy
01	7204-05017	Pin	RS34L VS34L	1
02	243-610	Bushing		1
03	5104-05014A	Ratchet Release Lever (Auto)	RS34L VS34L	1
04	122-125	Screw		4
05	H30-15-3	Spring Pin	RS34L VS34L	1
06	I09-19-3	Spring	RS34L VS34L	1
07	181-406	E-Ring		1
08	5201-05022	Link	RS34L VS34L	1
09	181-404	E-Ring		1
10	E09-25-3	Solenoid		1
11	183-181	Roll Pin		1
12	7204-05018	Solenoid Bracket	RS34L VS34L	1
13	180-103	Lock Washer		4
14	117-308	Screw		4
15	184-105	Flat Washer		2
16	180-105	Lock Washer		10
17	170-105	Nut		3
18	6804-05001A	Ratchet Plate		1
19	180-108	Lock Washer		4
20	101-470	Screw		2
21	117-465	Screw		4
22	7204-05015A	Drive Pawl Bracket		1
23	5104-05028	Lever Handle	RS34 VS34	1
24	A02-22-3	Spring		1
25	5104-05012A	Drive Pawl		1
26	181-405	E-Ring		3
27	183-209	Roll Pin		1
28	183-185	Roll Pin		1
29	A02-27-3	Spacer		2
30	7204-05011B	Bushing Bracket		1
31	A01-09-3	Bushing	Included in 30	2
32	117-510	Screw		5
33	7204-05014	Spacer		1
34	A02-26-3	Spring		1
35	183-178	Roll Pin		1
36	183-206	Roll Pin		1
37	A02-14-3	Bevel Gear		1
38	A02-17-3	Ratchet Wheel		1
39	5104-05035	Spacer	RS34L VS34L	1
40	6804-05023	Worm Gear		1
41	A02-48-3	Worm Shaft		1
42	183-205	Roll Pin		1
43	H09-06-3	Worm		1
44	A02-10-3	Bushing	Included in 46	1
45	A02-08-3	Bushing	Included in 46	1
46	EA02-01A	Worm Bracket		1
47	A02-46-3	Bevel Drive Gear		1
48	183-207	Roll Pin		1
49	170-104	Nut		1
50	6904-05008	Shaft		1
51	183-209	Roll Pin		1
52				
53	6904-05012A	Crank Handle		2
54	125-656	Screw		2
55	180-104	Lock Washer		3
56	6804-05018	Plate Spring		1
57	EA02-04	Shoulder Screw		1
58	6504-02022	Drive Pawl		1
59	6804-05021	Crank Handle Coupling Lever		1
60	180-106	Lock Washer		2
61	170-106	Nut		2
62	EA02-02	Ratchet Wheel		1
63	6904-05005	Lever	RS34 VS34	1
64	101-530	Screw	RS34 VS34	1
65	6904-05007A	Ratchet Control Lever	RS34 VS34	1
66	184-106	Flat Washer	RS34 VS34	1
67	A02-37-3	Control Lever Snubber	RS34 VS34	1
68	A02-34-3	Snubber Spring	RS34 VS34	1
69	125-706	Screw	RS34 VS34	1
70	A02-38-3	Ratchet Control Lever Snubber Plate	RS34 VS34	1

F



W1050



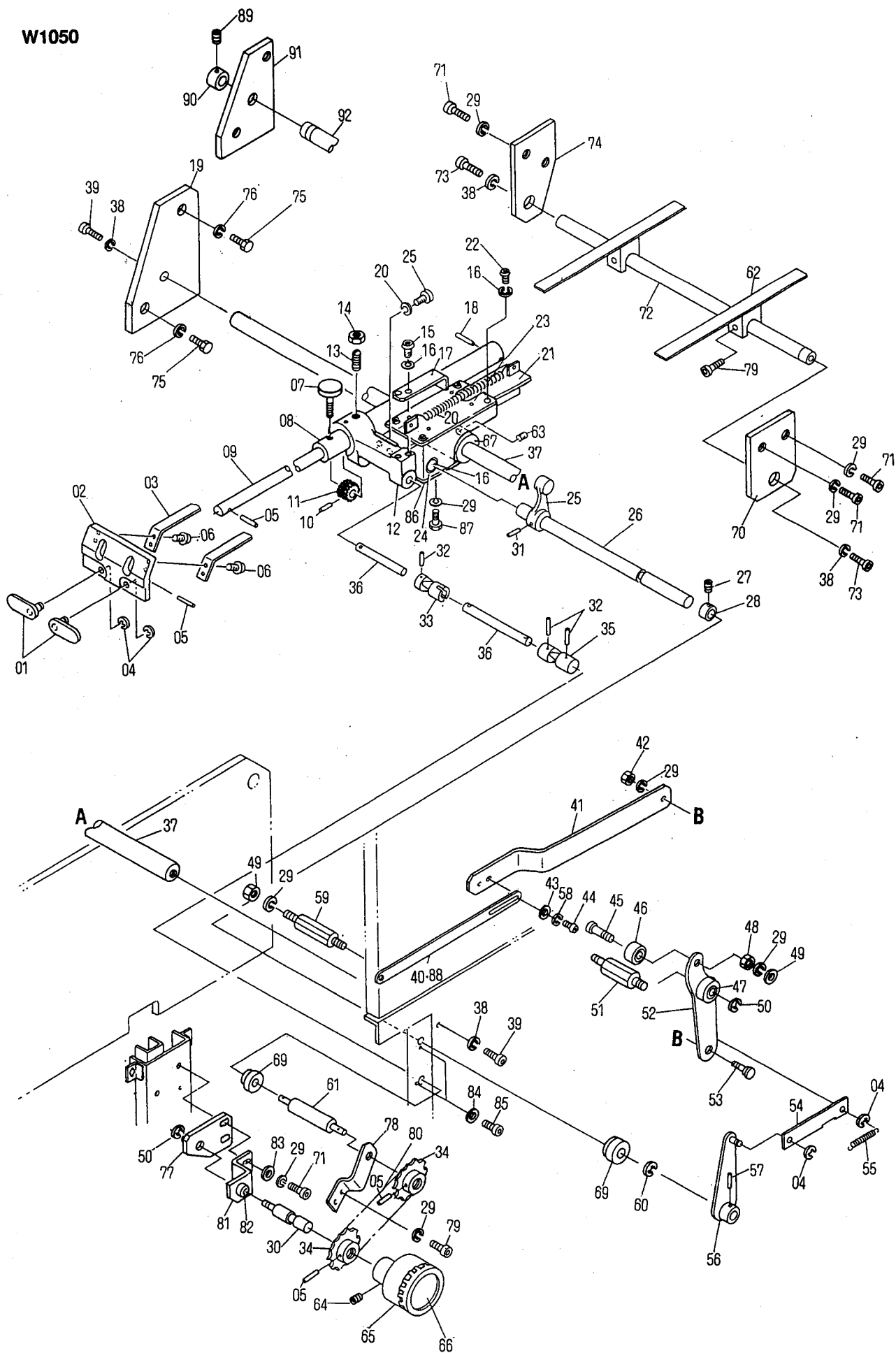
RS34	RS34L	VS34	VS34L
○	○	○	○

Delivery Section
Back Jogger

W1050

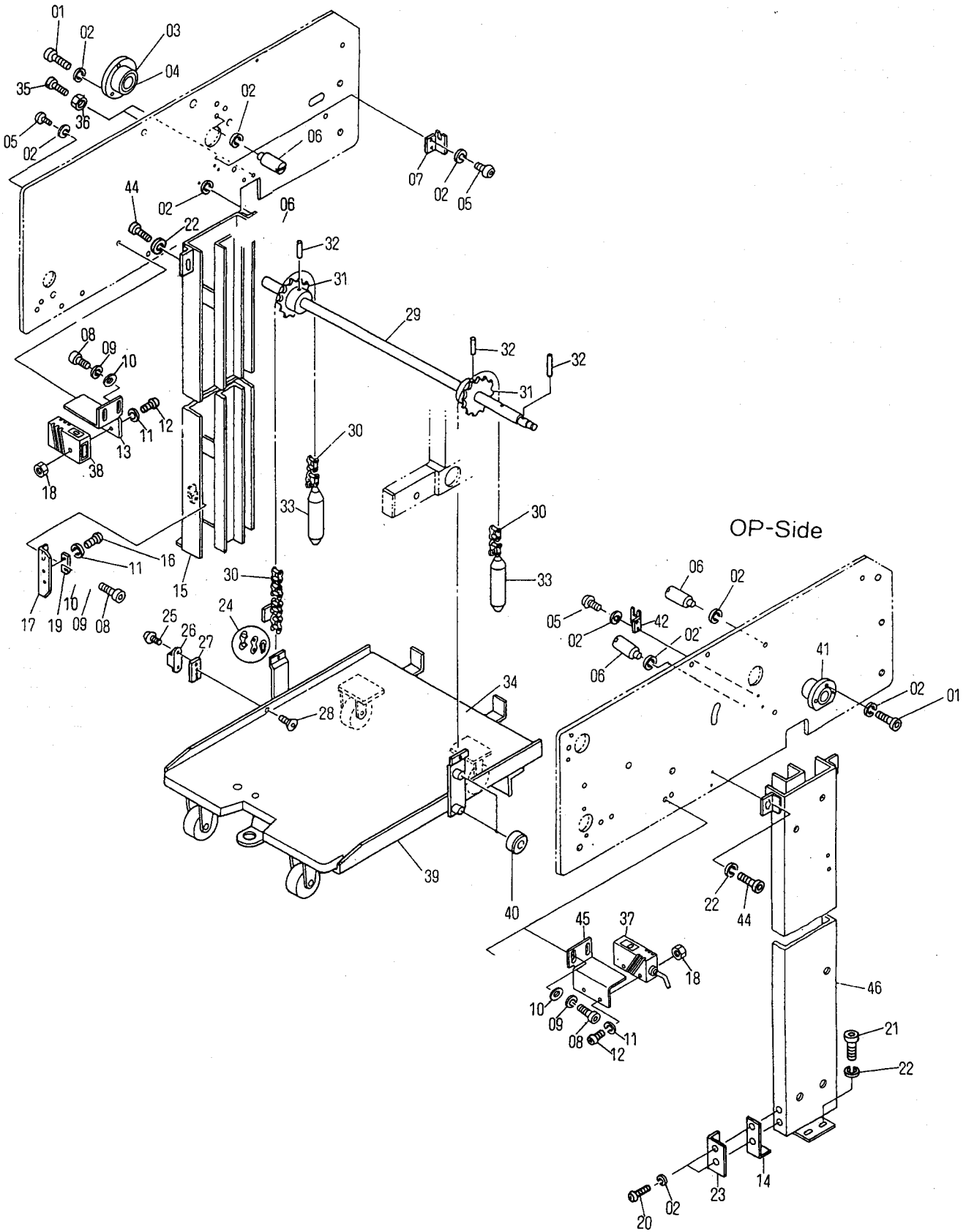
INDEX No.	Parts No.	Description	Remarks	Units Per Assy
01	DJ60-1A	Guide Piece		2
02	CH03-55	Back Guide		1
03	CH03-56	Paper Guide		2
04	181-406	E-Ring		3
05	183-186	Roll Pin		3
06	125-656	Screw		4
07	CH03-60	Thumb Screw		1
08	HC03-02	Rack		1
09	HC03-15	Back Guide Shaft		1
10	183-182	Roll Pin		1
11	HC03-03	Pinion		1
12	CH03-53	Back Guide Slide Bracket		1
13	I18-59-1A-3	Snubber		1
14	170-108	Nut		1
15	125-712	Screw		2
16	180-105	Lock Washer		6
17	CH03-05	Guide Plate		1
18	183-206	Roll Pin		1
19	6904-03018	Bracket	RS34L VS34L	1
20	5104-03028	Spring		1
21	5104-03003	Back Guide Slider		1
22	125-710	Screw		4
23	5104-03004	Back Guide Slider Cover		1
24	A04-01-0A-3	Back Guide Bracket		1
25	A04-22-3	Brack Guide Arm		1
26	6904-03002	Delivery Shaft		1
27	145-355	Set Screw		1
28	185-1212.01	Collar		1
29	180-106	Lock Washer		13
30	6904-03027	Shaft		1
31	183-206	Roll Pin		1
32	183-183	Roll Pin		3
33	A19-56-3	Coupling		1
34	H38-24-3	Sprocket		2
35	A05-09-3	Universal Coupling		1
36	CH03-44	Pinion Shaft		2
37	6904-03009	Back Jogger Shaft		1
38	180-108	Lock Washer		4
39	117-465	Screw		2
40	7204-03007	Ratchet Drive Link		1
41	6904-03001	Drive Link		1
42	170-106.3	Nut		1
43	184-106	Flat Washer		2
44	125-762	Screw		2
45	7204-03026	Bearing Pin		1
46	250-126.6	Bearing		1
47	243-615	Bushing	Included in 52	1
48	184-106.3	Flat Washer		1
49	170-106	Nut		2
50	181-408	E-Ring		2
51	6904-03011	Pin		1
52	6804-03048C	Drive Lever		1
53	7204-03014	Shoulder Screw		1
54	6904-03003	Link		1
55	4206-09016	Spring		1
56	6804-03039A	Back Guide Drive Lever		1
57	183-208	Spring Pin		1
58	180-106	Lock Washer		2
59	6904-03014	Screw Stud		1
60	181-410	E-Ring		1
61	6904-03024	Back Jogger Handle Shaft		1
62	CH02-20	Paper Guide		1
63	145-356	Set Screw		1
64	140-360	Set Screw		1
65	6805-02042	Handle		1
66	HC03-09	Name Plate		1
67	CH03-02	Collar		1
68	125-658	Screw		4
69	6904-03004	Bushing		2
70	6904-03007	Bracket		1

W1050

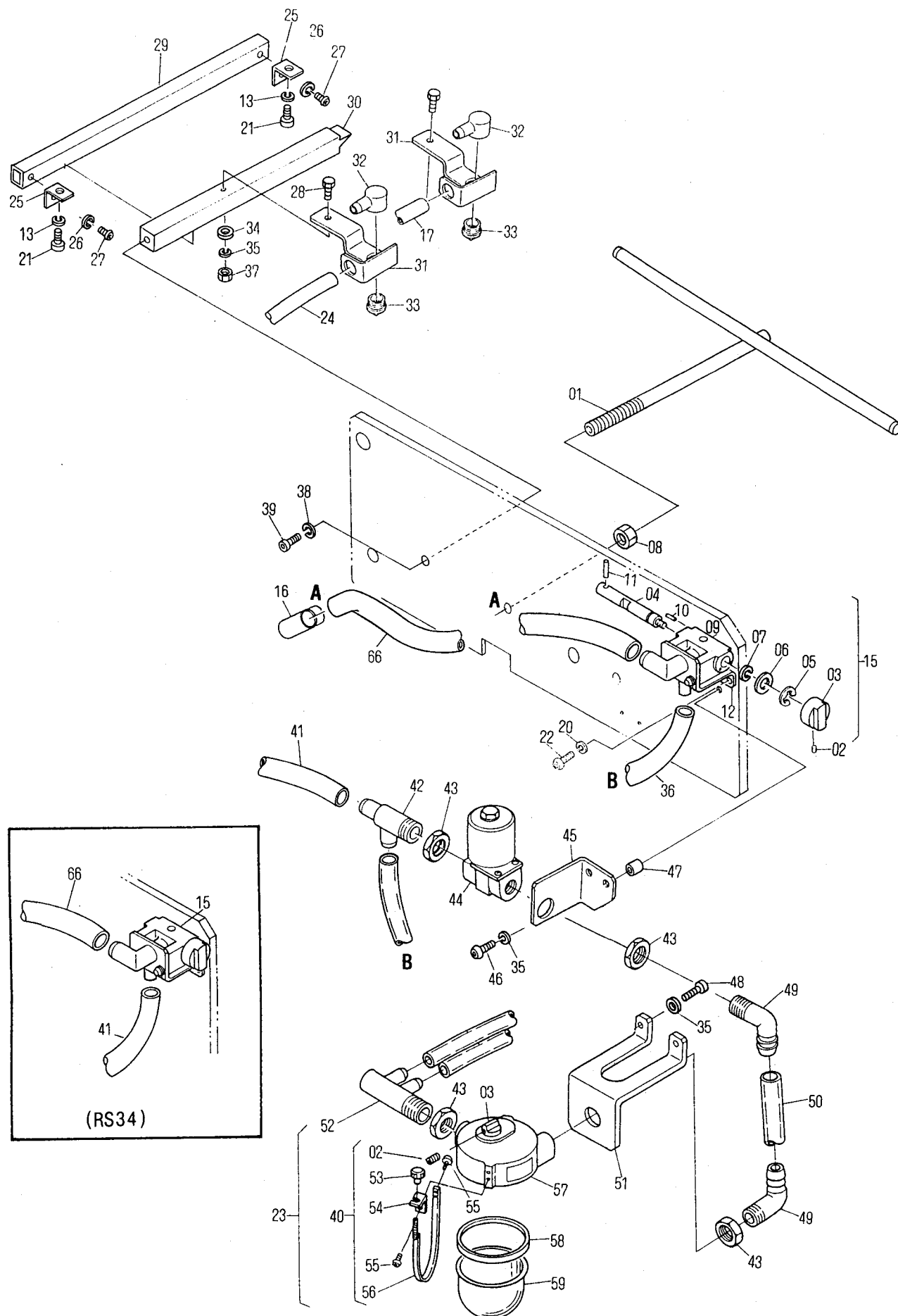


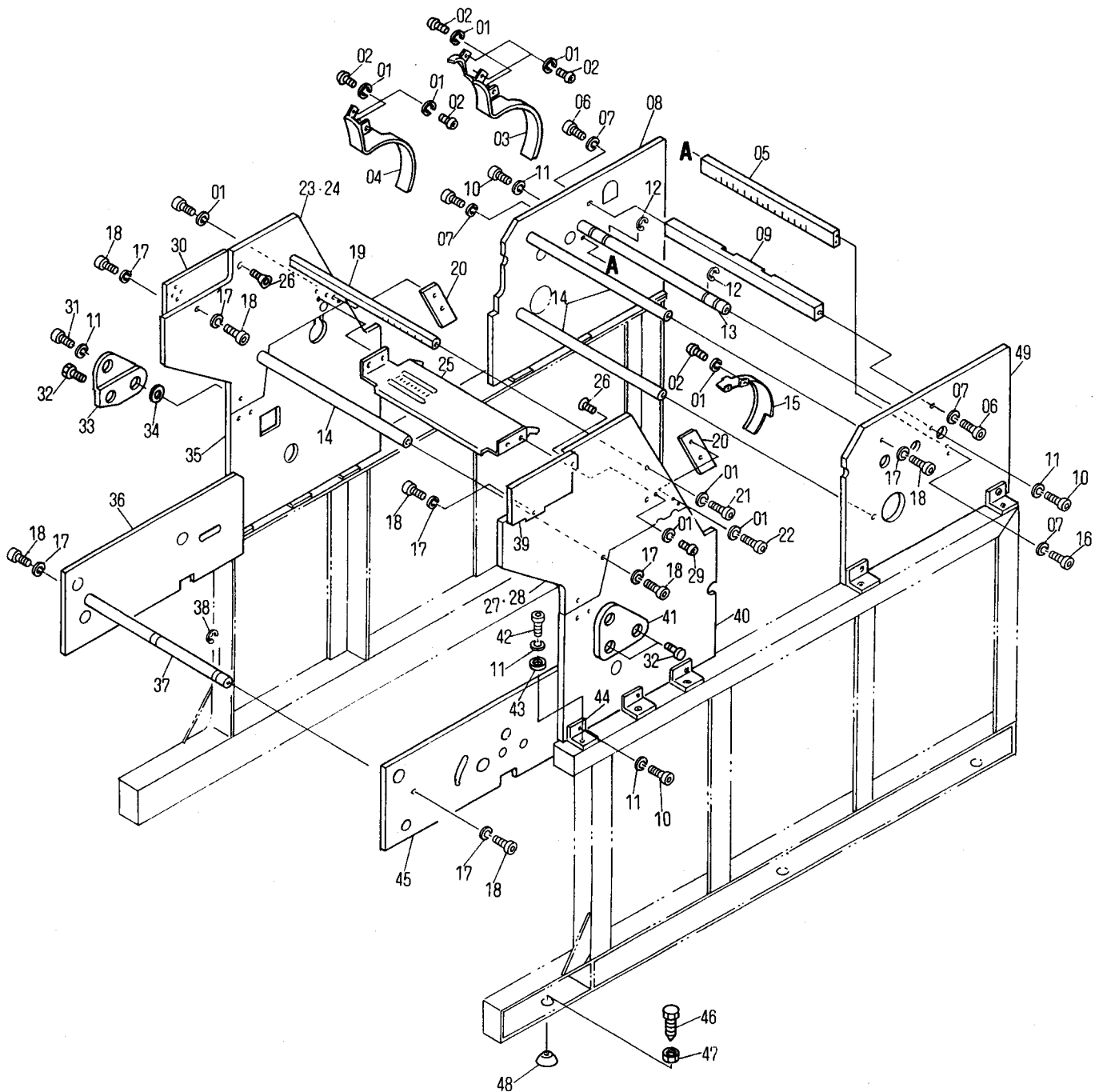
W1051

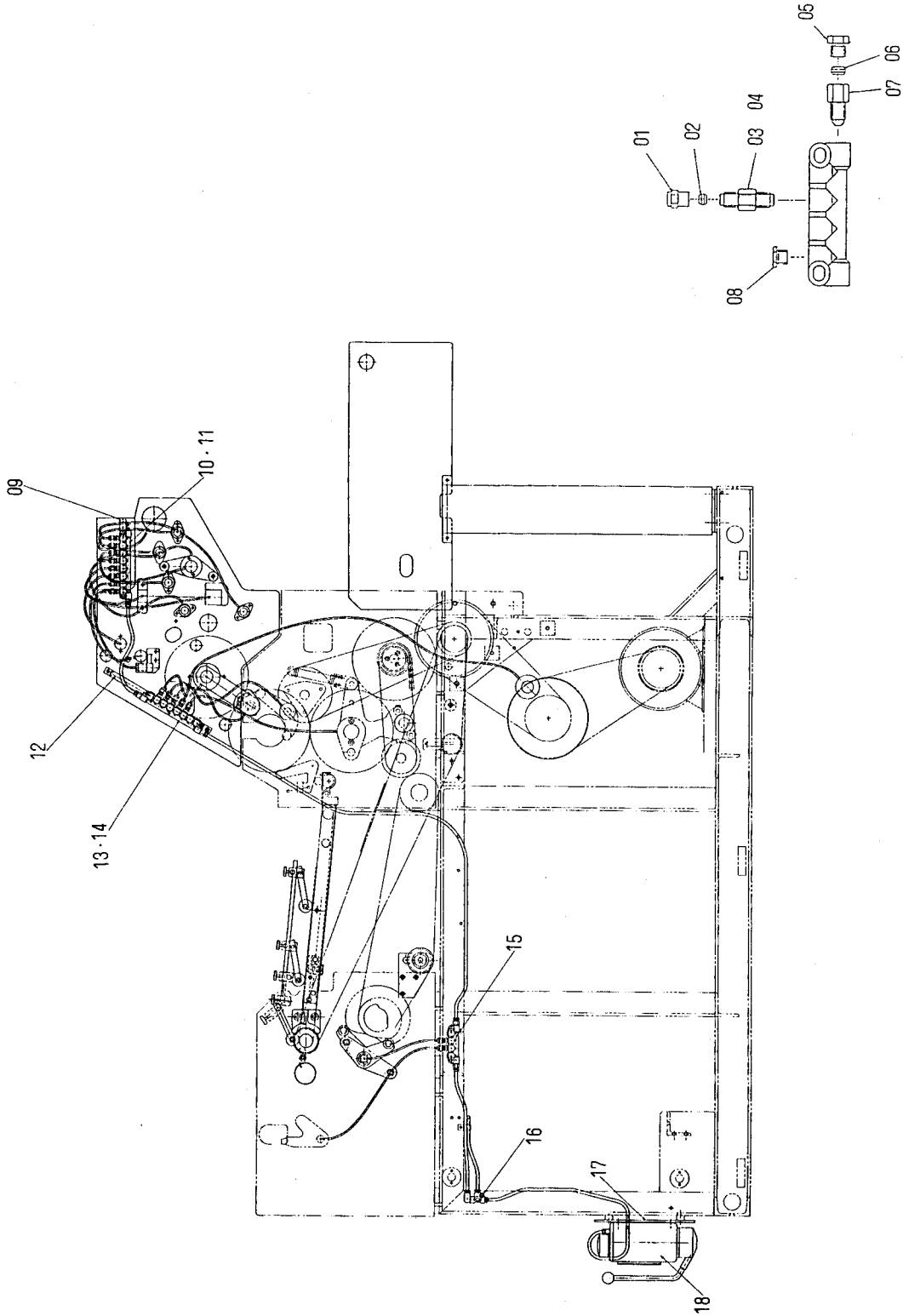
NOP-Side



W1052







CC

5

5 C

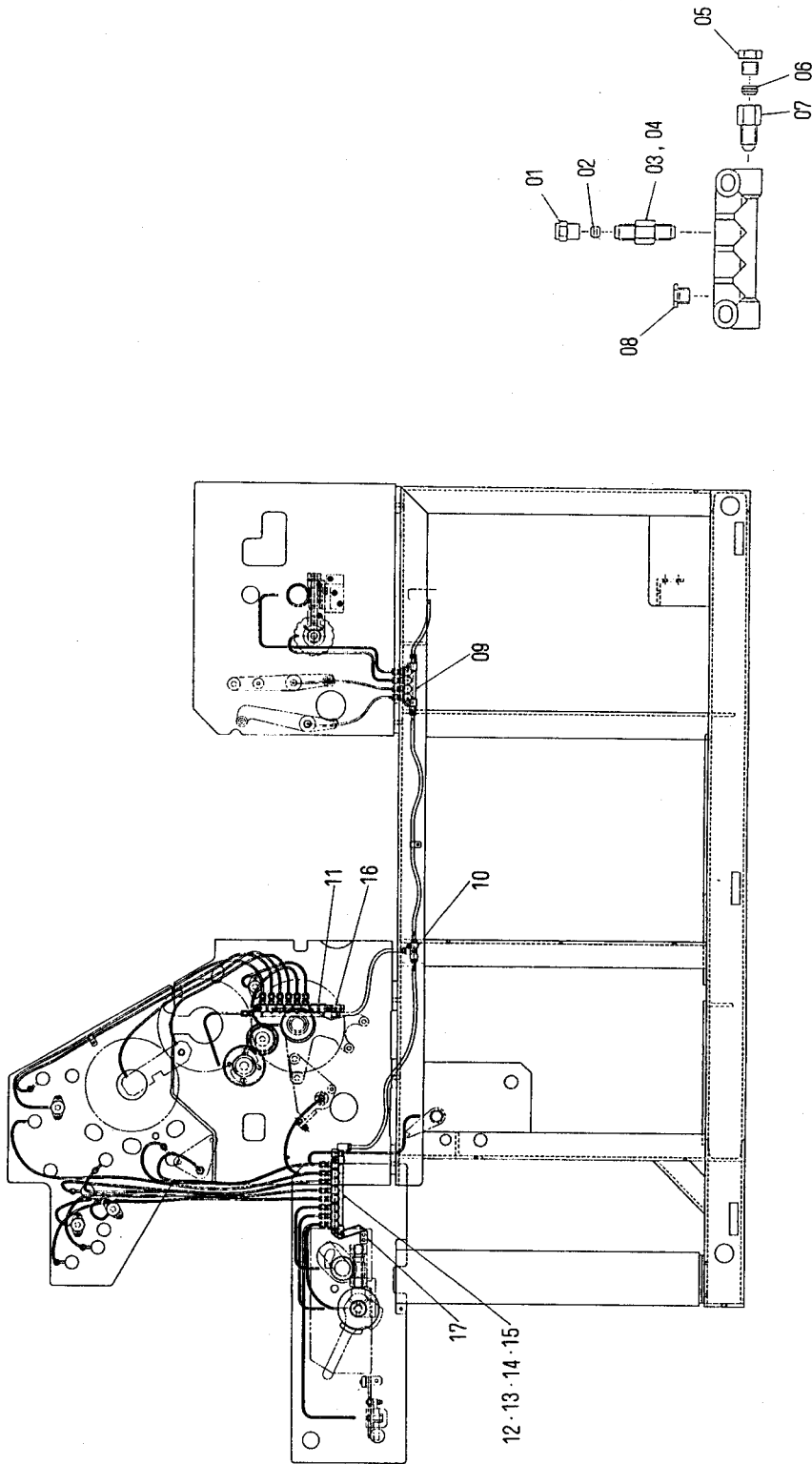
RS34	RS34L	VS34	VS34L
○	○	W1079	W1079

Lubricant Piping (NOP-S)

W1054

INDEX No.	Parts No.	Description	Remarks	Units Per Assy
01	5805-05026	Plug		—
02	5805-05028	Sleeve		—
03	5805-05023	Nipple (Psso) for Hose (3.2ø Nylon)		—
04	5805-05022	Nipple (Psso) for Pipe (3.2ø Cupper)		—
05	D-140-13	Plug		—
06	5805-05027	Sleeve		—
07	5805-05029	Nipple		—
08	D140-18	Plug		—
09	6905-05024	Bracket		1
10	6905-05004A	Oil Pipe Joint Assy	Two Form Rollers	1
11	6905-05005A	Oil Pipe Joint Assy	Three Form Rollers	1
12	6905-05021	Bracket		1
13	6905-05014A	Oil Pipe Joint Assy	RS34	1
14	6905-05015A	Oil Pipe Joint Assy	RS34L	1
15	6905-05013A	Oil Pipe Joint Assy		1
16	6905-05012A	Oil Pipe Joint Assy		1
17	6905-05025	Bracket		1
18	5805-05001	Pump		1
19				
20				
21				
22				
23				
24				
25				
26				
27				
28				
29				
30				
31				
32				
33				
34				
35				
36				
37				
38				
39				
40				
41				
42				
43				
44				
45				
46				
47				
48				
49				
50				
51				
52				
53				
54				
55				
56				
57				
58				
59				
60				
61				
62				
63				
64				
65				
66				
67				
68				
69				
70				

H



CC 5 C

RS34	RS34L	VS34	VS34L
○	○	W1079	W1079

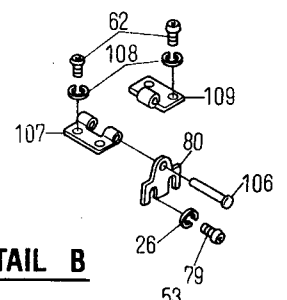
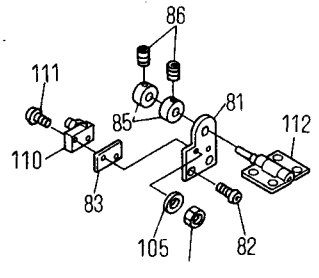
Lubricant Piping (OP-S)

W1055

INDEX No.	Parts No.	Description	Remarks	Units Per Assy
01	5805-05026	Plug		—
02	5805-05028	Sleeve		—
03	5805-05023	Nipple (Pss) for Hose (3.2ø Nylon)		—
04	5805-05022	Nipple (Pss) for Pipe (3.2ø Cupper)		—
05	D-140-13	Plug		—
06	5805-05027	Sleeve		—
07	5805-05029	Nipple		—
08	D-140-18	Plug		—
09	6905-05016A	Oil Pipe Joint Assy		1
10	6905-05011A	Oil Pipe Joint Assy		1
11	6905-05007A	Oil Pipe Joint Assy		1
12	6905-05009A	Oil Pipe Joint Assy for Two Form Rollers	RS34	1
13	6905-05010A	Oil Pipe Joint Assy for Two Form Rollers	RS34L	1
14	6905-05017A	Oil Pipe Joint Assy for Three Form Rollers	RS34	1
15	6905-05018A	Oil Pipe Joint Assy for Three Form Rollers	RS34L	1
16	6905-05024	Bracket		1
17	6905-05023	Bracket		1
18				
19				
20				
21				
22				
23				
24				
25				
26				
27				
28				
29				
30				
31				
32				
33				
34				
35				
36				
37				
38				
39				
40				
41				
42				
43				
44				
45				
46				
47				
48				
49				
50				
51				
52				
53				
54				
55				
56				
57				
58				
59				
60				
61				
62				
63				
64				
65				
66				
67				
68				
69				
70				

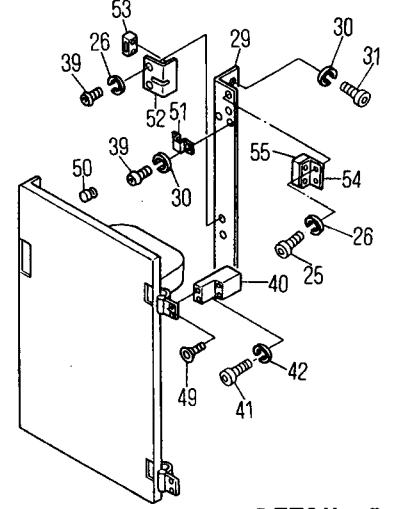
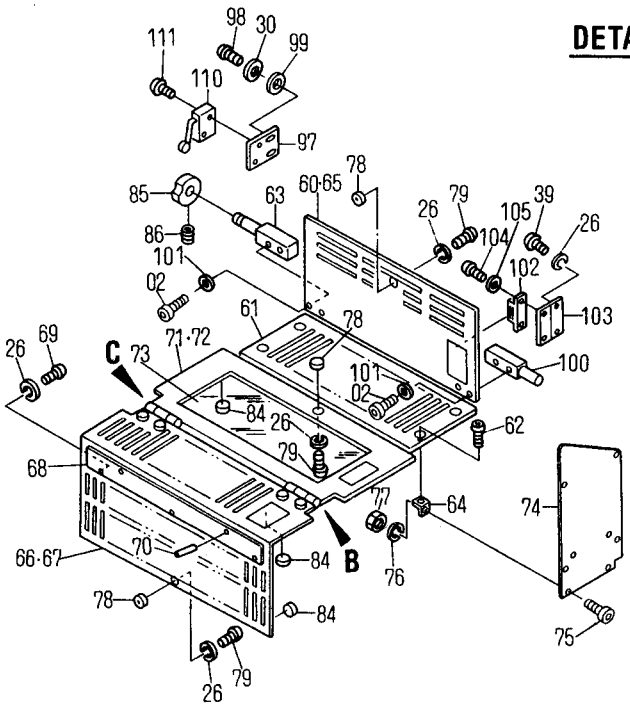
H

W1056

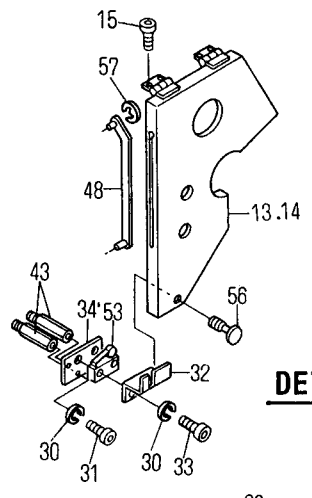


DETAIL B

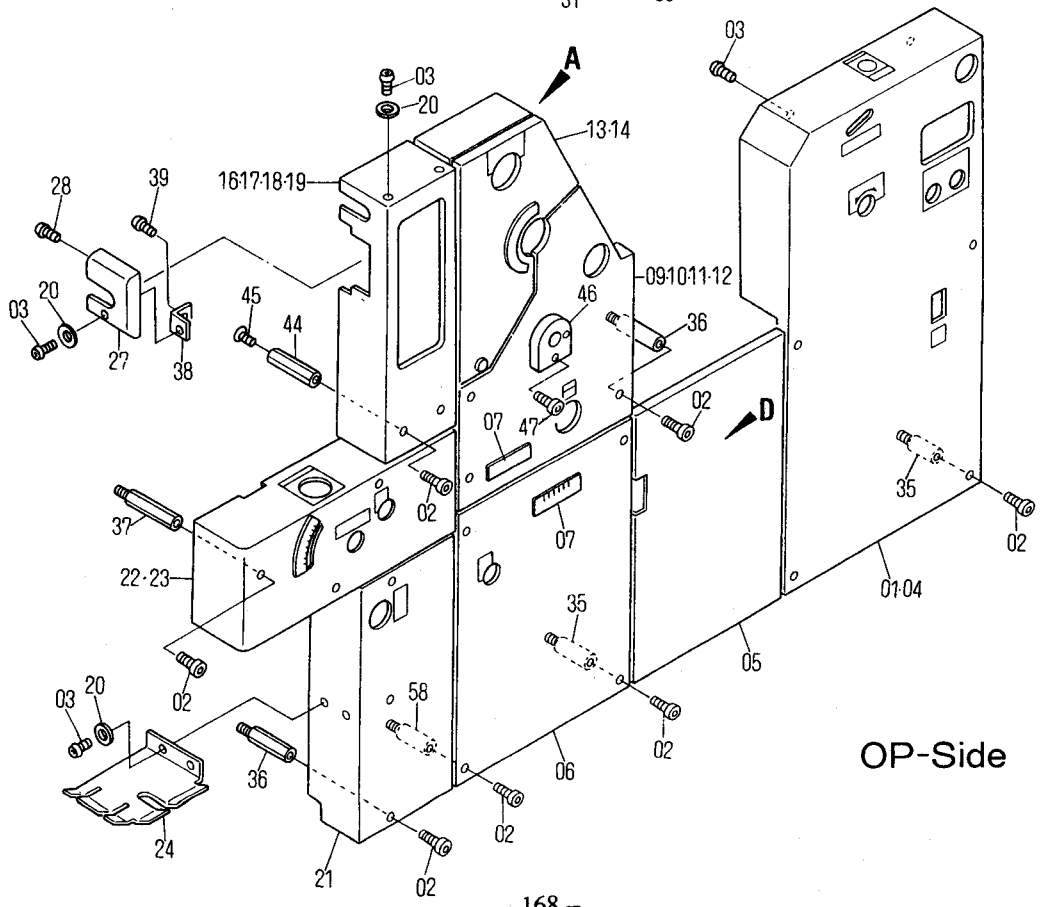
DETAIL C



DETAIL D



DETAIL A



OP-Side

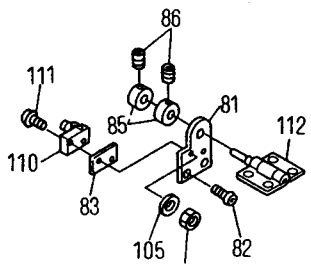
Cover (OP-S)

RS34	RS34L	VS34	VS34L
○	○	W1080	W1080

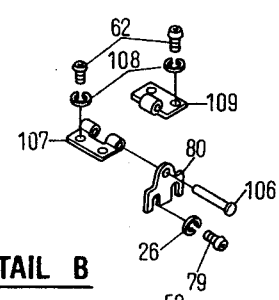
W1056

INDEX No.	Parts No.	Description	Remarks	Units Per Assy
01	6905-02001	Cover	-RS-3I020	1
02	117-510.01	Screw		22
03	125-710.01	Screw		14
04	6905-02085	Cover		1
05	6905-02008A	Cover		1
06	6905-02004A	Cover	RS34	1
07	CK12-26	Included in 06, 09, 10, 11, 12		2
08	6905-02087	Cover	RS34L	1
09	6905-02002B	Cover	Molton	1
10	6905-02069B	Cover for Handwheel Stop System	Molton	1
11	6905-02076B	Cover	Integrated	1
12	6905-02077B	Cover for handwheel Stop System	Integrated	1
13	6905-02003A	Cover	Molton	1
14	6905-02049A	Cover	Integrated	1
15	117-310	Screw		4
16	6905-02005	Cover	RS34-M	1
17	6905-02064	Cover	RS34-S	1
18	6805-02025	Cover	RS34L-M	1
19	6905-02033	Cover	RS34L-S	1
20	184-105.01	Flat Washer		3
21	6905-02007	Cover		1
22	6905-02006	Cover	RS34	1
23	6905-02029	Cover	RS34L	1
24	6905-02079	Bracket		1
25	117-510	Screw		6
26	180-105	Lock Washer		20
27	6905-02017	Cover		1
28	125-715	Screw		2
29	6905-02034	Bracket		1
30	180-105	Lock Washer		13
31	117-512	Screw		5
32	6905-02037	Bracket		1
33	117-506	Screw		2
34	6805-02038	Bracket		1
35	6905-02040	Stud		7
36	6905-02041	Stud		6
37	6905-02043	Stud		3
38	6905-02053	Bracket		1
39	125-710	Screw		11
40	6905-02056	Block		2
41	117-382	Screw		4
42	180-106	Lock Washer		4
43	6905-02058	Stud		2
44	6905-02063	Stud		2
45	122-165	Screw		2
46	6905-02070	Cover for Handwheel Stop System		1
47	117-530.01	Screw		2
48	6905-02075A	Arm		1
49	122-108	Screw		4
50	B02-87-3	Cushion Included in 05		2
51	6505-02039	Bracket		2
52	6505-02066	Bracket	Option	1
53	E10-30-3	Safety Switch	Option	2
54	6505-02085	Bracket		2
55	H12-32-3	Roller Catches		1
56	5105-02035	Screw		1
57	181-403	E-Ring		1
58	5208-01002	Stud		1
59	5105-02059	Stud		1
60	6905-08002A	Cover Assy	for Domestic	1
61	6905-08003	Cover		1
62	125-708.01	Screw		8
63	6905-08008	Pin		1
64	6905-08009	Bracket		4
65	6905-08002B	Cover Assy	for Export	1
66	6905-08010A	Cover Assy	for Domestic	1
67	6905-08010B	Cover Assy	for Export	1
68	6905-08011	Cover Plate Included in 66, 67		1
69	125-706	Screw		3
70	183-178	Roll Pin		2

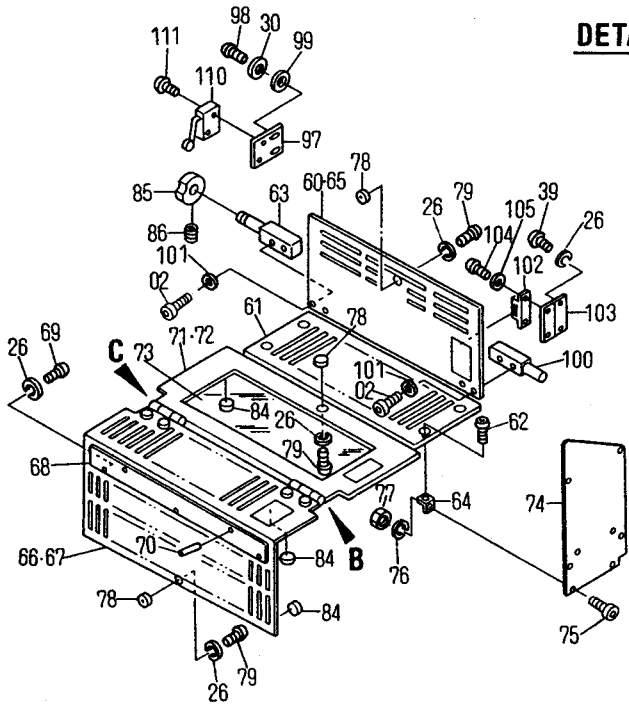
W1056



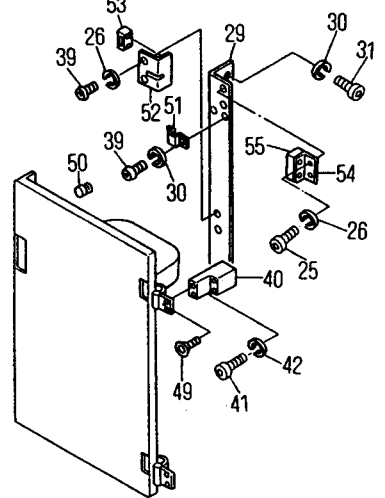
DETAIL B



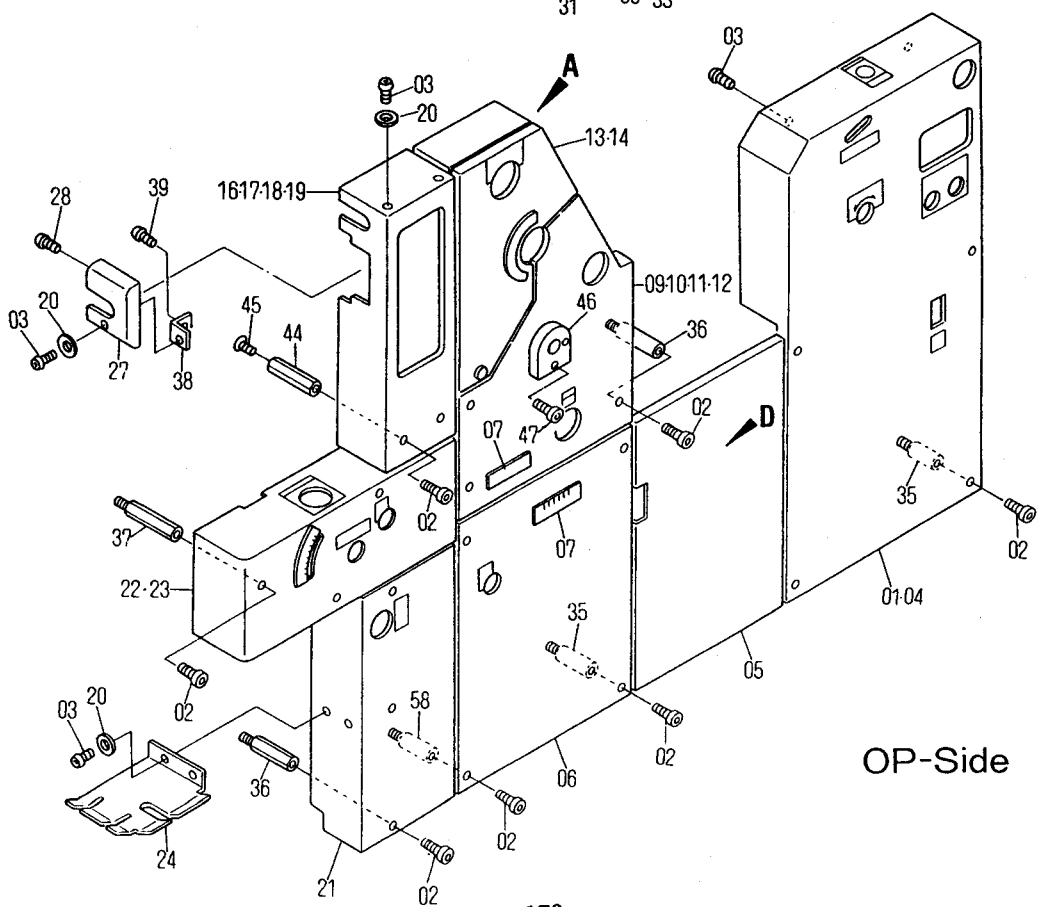
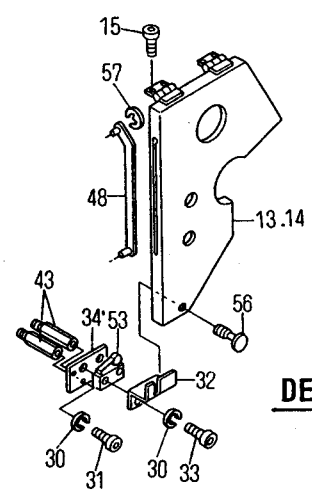
DETAIL C



DETAIL D

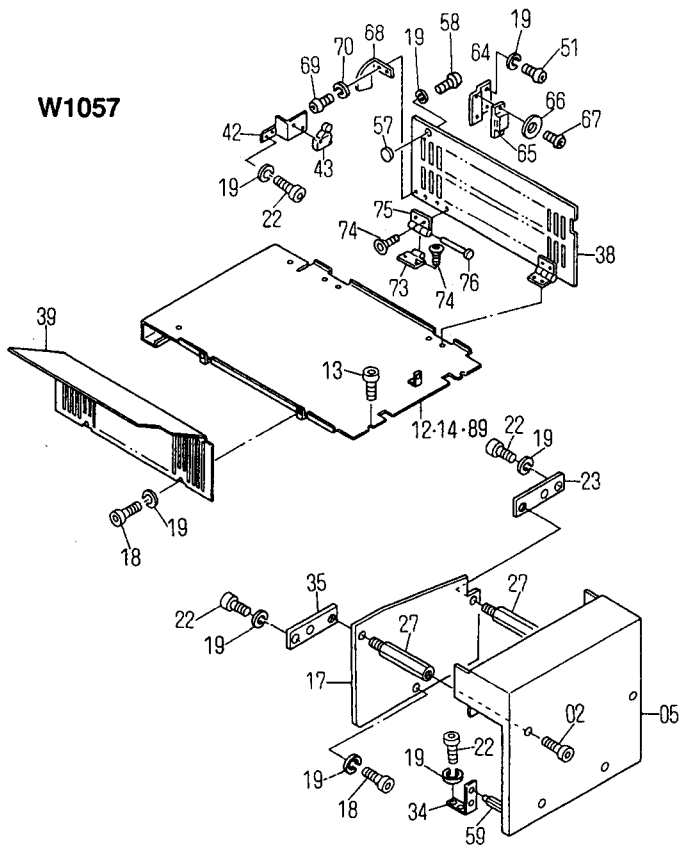


DETAIL A

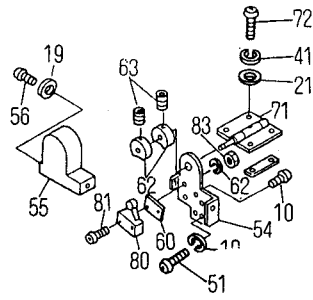


OP-Side

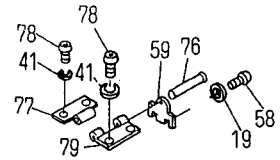
W1057



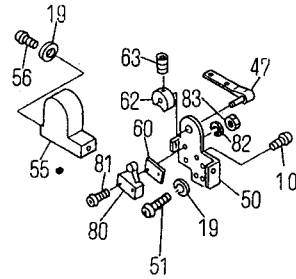
DETAIL D



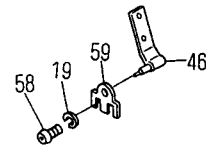
DETAIL A



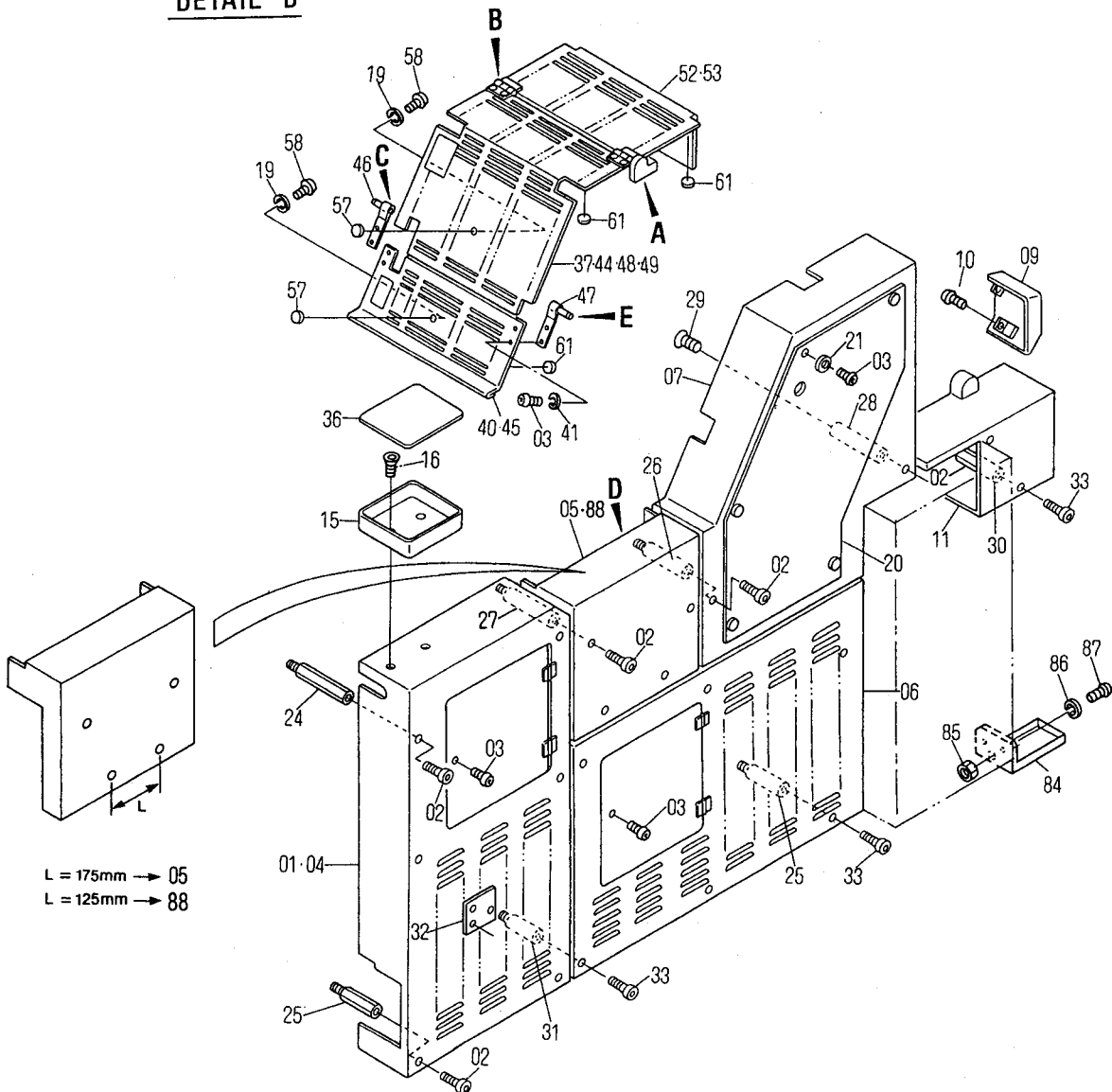
DETAIL B



DETAIL E



DETAIL C



L = 175mm → 05
L = 125mm → 88

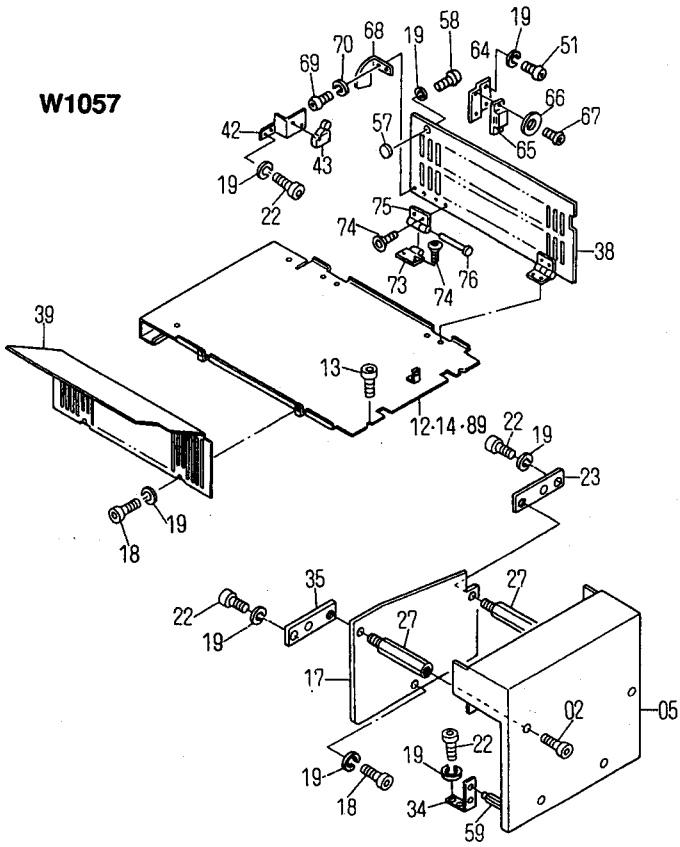
RS34	RS34L	VS34	VS34L
○	○	W1081	W1081

Cover (NOP-S)

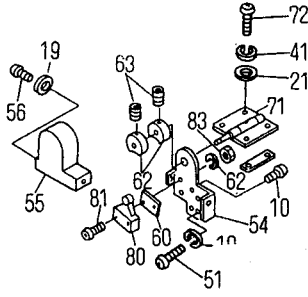
W1057

INDEX No.	Parts No.	Description	Remarks	Units Per Assy
01	6905-02010	Cover	-RS-3I020	1
02	117-510.01	Screw		22
03	125-710.01	Screw		12
04	6905-02086	Cover		1
05	6905-02015	Cover		1
06	6905-02012A	Cover		1
07	6905-02013	Cover	Molton	1
08	6905-02078	Cover	Integrated	1
09	6905-02018	Cover		1
10	125-725	Screw		2
11	6905-02016	Cover		1
12	6905-02014	Cover	-RS-3J036	1
13	117-510	Screw		4
14	6905-02088	Cover		1
15	6905-02020	Tray		1
16	122-106	Screw		2
17	6905-02021	Cover		1
18	117-508	Screw		3
19	180-105	Lock Washer		33
20	6905-02030	Cover		1
21	184-105.01	Flat Washer		5
22	117-512	Screw		10
23	6905-02036	Bracket		1
24	6905-02044	Stud		2
25	6905-02045	Stud		9
26	6905-02046	Stud		4
27	6905-02047	Stud		2
28	6905-02048	Stud		2
29	122-165	Screw		2
30	6905-02050	Stud		2
31	6905-02051	Stud		1
32	6905-02052	Bracket		1
33	117-510	Screw		2
34	6905-02080	Bracket		2
35	6905-02081	Bracket		1
36	6505-04040	Rubber		1
37	6905-08001A	Cover Assy	Molton, for Domestic	1
38	6905-08004	Cover		1
39	6905-08005	Cover		1
40	6905-08006A	Cover Assy	for Domestic	1
41	180-105.01	Screw		12
42	6905-08007	Bracket		1
43	E10-29-3	Safety Switch		1
44	6905-08001B	Cover Assy	Molton, for Export	1
45	6905-08006B	Cover Assy	for Export	1
46	6905-08012A	Arm		1
47	6905-08013A	Arm		1
48	6905-08016A	Cover Assy	Integrated	1
49	6905-08016B	Cover Assy	Integrated, for Export	1
50	6905-08020	Bracket		1
51	125-710	Screw		6
52	6805-08003A	Cover Assy	for Domestic	1
53	6805-08003B	Cover Assy	for Export	1
54	6805-08009	Bracket		1
55	6805-08010	Cover		2
56	125-705	Screw		4
57	129-32-3	Knob	Included in 37, 38, 40, 44, 45, 48, 49, 52, 53	4
58	125-712	Screw		8
59	CK13-21	Bracket		2
60	CK13-15	Switch Base	Option	2
61	CP01-03	Rubber	Included in 37, 40, 44, 45, 48, 49, 52, 53	8
62	5105-02020	Cam	Option	3
63	145-408	Set Screw		3
64	5805-02213	Bracket		1
65	5203-02030	Magnet		1
66	184-103	Flat Washer		2
67	125-608	Screw		2
68	6505-02082	Cam		1
69	125-660	Screw		2
70	180-104	Lock Washer		2

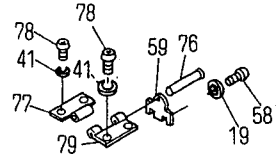
W1057



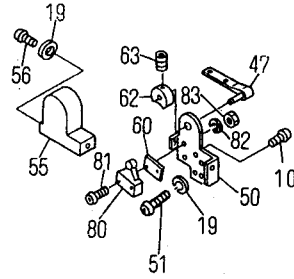
DETAIL D



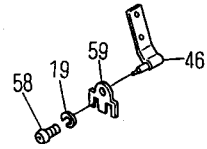
DETAIL A



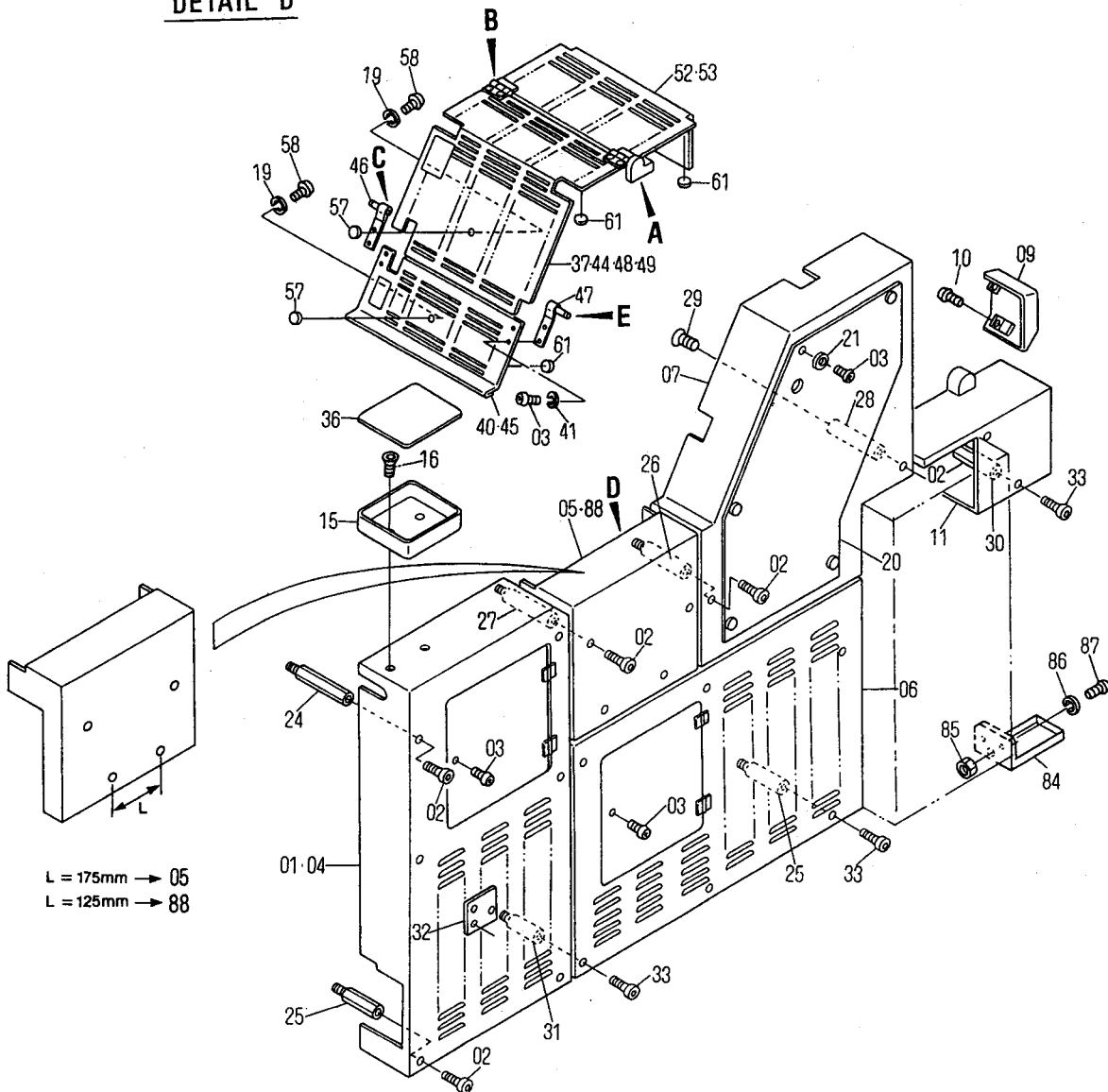
DETAIL B



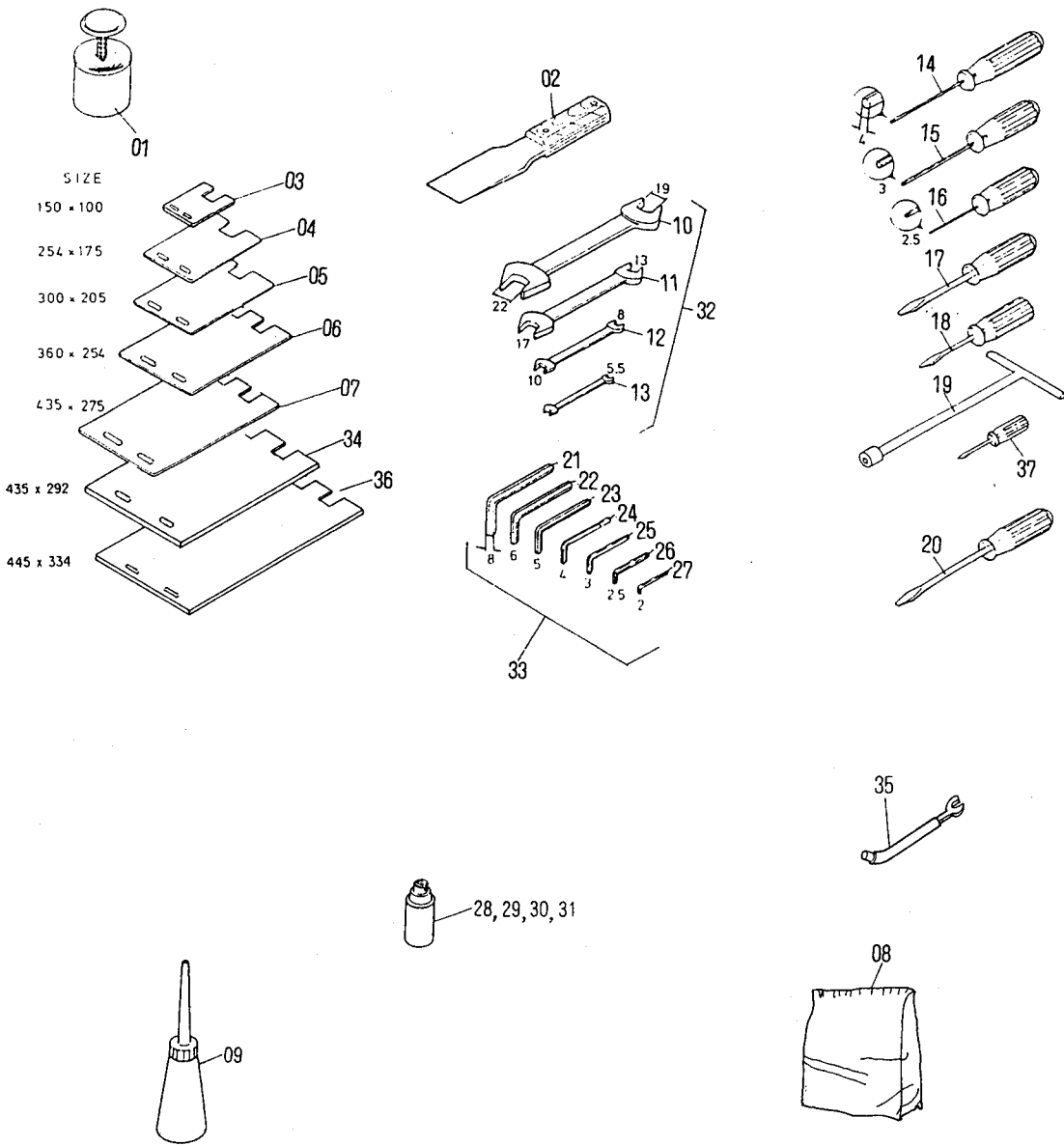
DETAIL E



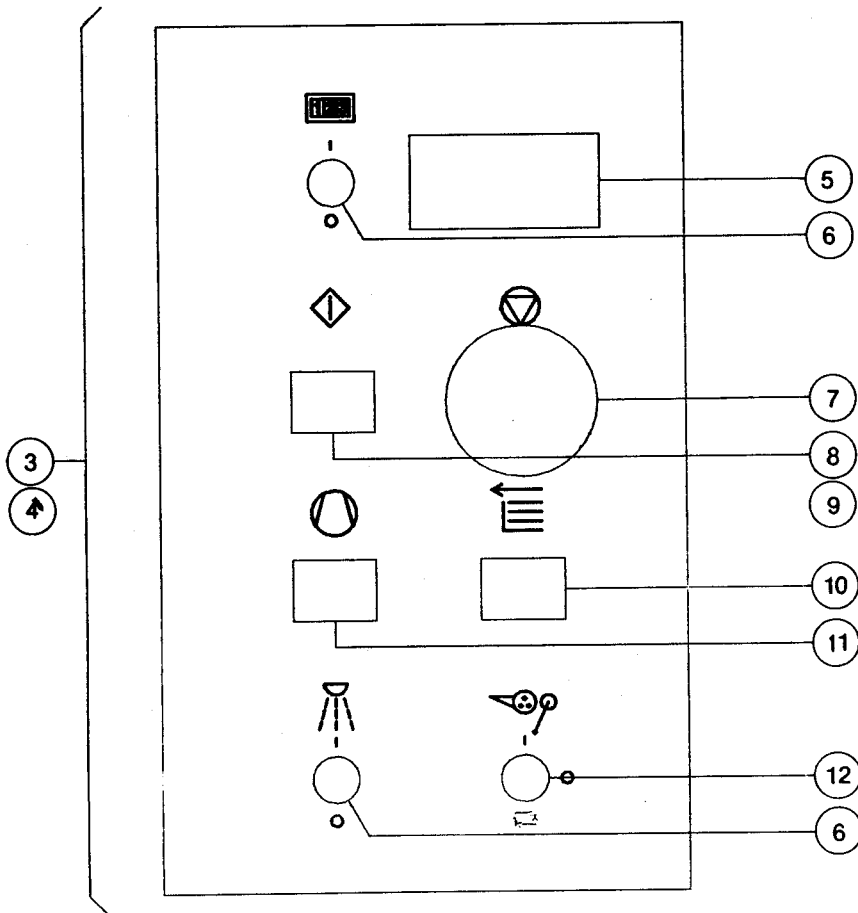
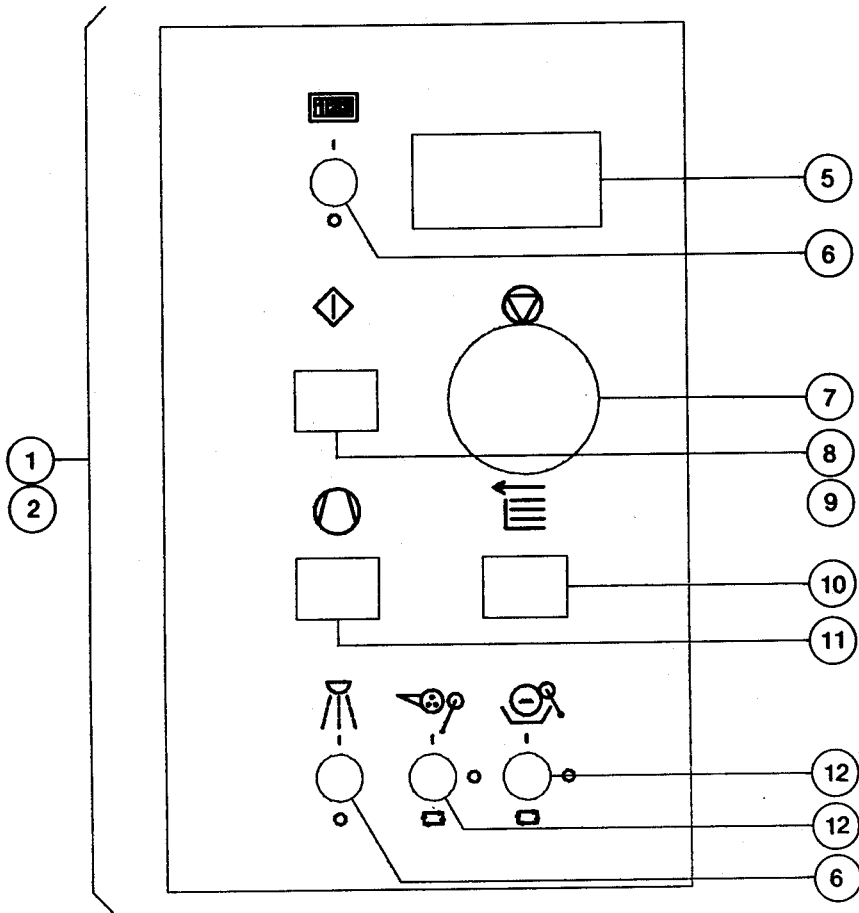
DETAIL C



L = 175mm → 05
L = 125mm → 88



W1059



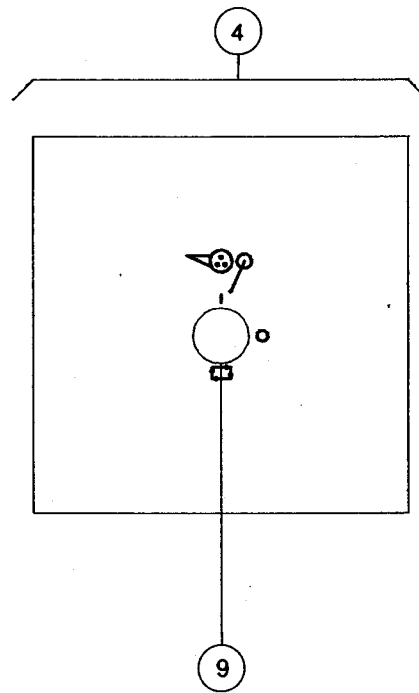
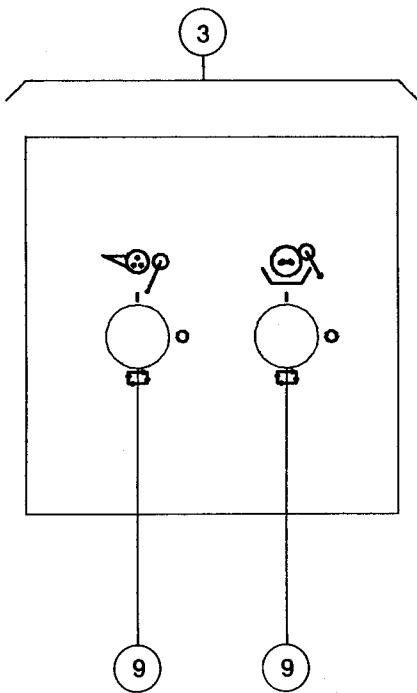
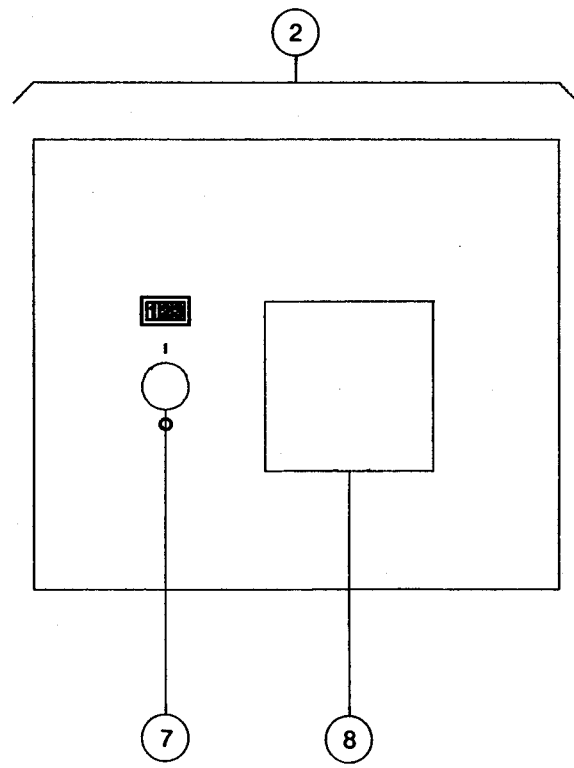
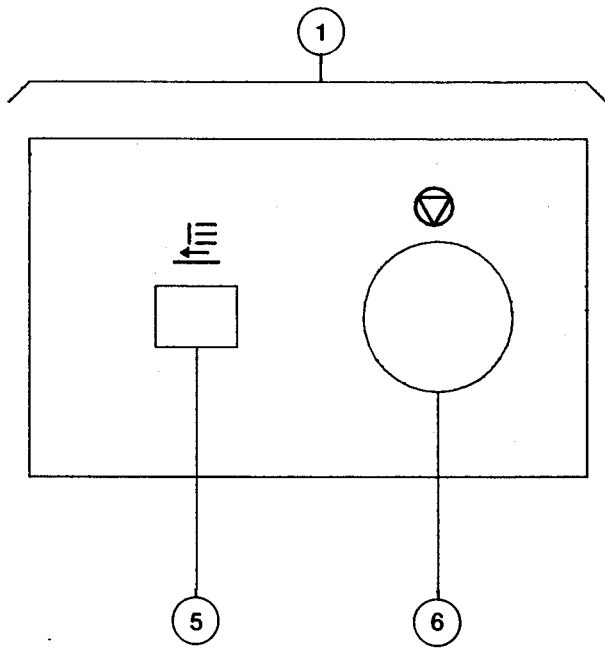
RS34	RS34L	VS34	VS34L
○	W1061	○	W1087

Operation Panel

W1059

INDEX No.	Parts No.	Description	Remarks	Units Per Assy
01	E48-09-1A-3	Operation Panel Assy (Spray)	Molton	1
02	E48-09-2A-3	Operation Panel Assy	Molton	1
03	E48-09-1B-3	Operation Panel Assy (Spray)	Integrated	1
04	E48-09-2B-3	Operation Panel Assy	Integrated	1
05	E09-62-3	Magnetic Counter		1
06	E13-47-3	Toggle Switch		2
07	E45-03-01-3	Stop Switch		1
08	E45-03-04-3	Start Switch		1
09	E45-03-05-3	Switch Cover		1
10	E45-03-03-3	Feed Switch		1
11	E45-03-02-3	Pump Switch		1
12	E13-90-01-3	Toggle Switch		2
13				
14				
15				
16				
17				
18				
19				
20				
21				
22				
23				
24				
25				
26				
27				
28				
29				
30				
31				
32				
33				
34				
35				
36				
37				
38				
39				
40				
41				
42				
43				
44				
45				
46				
47				
48				
49				
50				
51				
52				
53				
54				
55				
56				
57				
58				
59				
60				
61				
62				
63				
64				
65				
66				
67				
68				
69				
70				

K



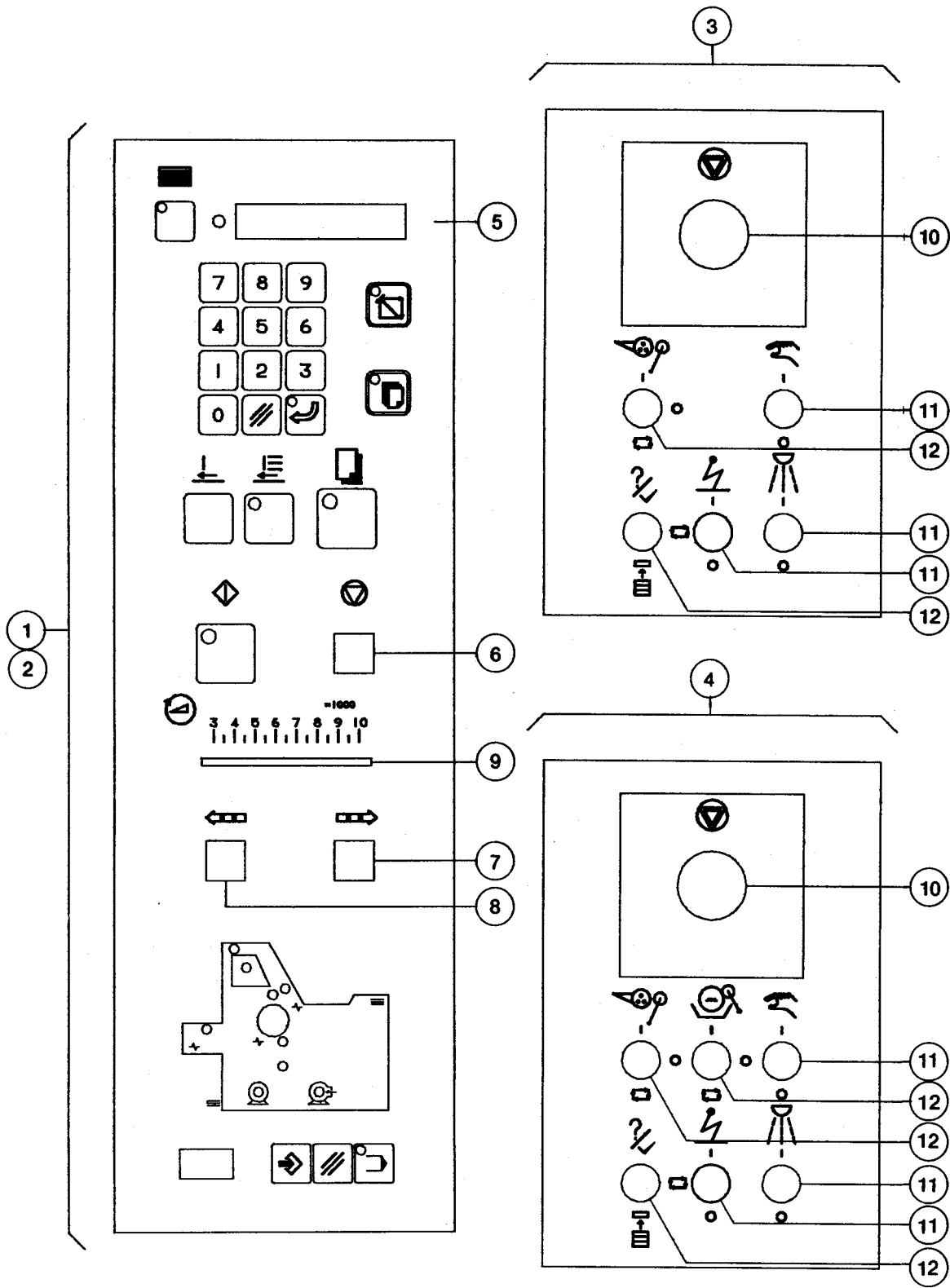
RS34	RS34L	VS34	VS34L
○	○	○	○

Operation Panel

W1060

INDEX No.	Parts No.	Description	Remarks	Units Per Assy
01	E48-16-2A-3	Operation Panel Assy		1
02	E48-10-1A-3	Operation Panel Assy		1
03	E48-14-1A-3	Operation Panel Assy	Molton	1
04	E48-14-1B-3	Operation Panel Assy	Integrated	1
05	E45-03-03-3	Feed Switch		1
06	E45-03-01-3	Stop Switch		1
07	E13-47-3	Toggle Switch		1
08	E09-69-3	Preset Counter	NEW NUMBER E09-63-3	1
09	E13-90-01-3	Toggle Switch		3
10				
11				
12				
13				
14				
15				
16				
17				
18				
19				
20				
21				
22				
23				
24				
25				
26				
27				
28				
29				
30				
31				
32				
33				
34				
35				
36				
37				
38				
39				
40				
41				
42				
43				
44				
45				
46				
47				
48				
49				
50				
51				
52				
53				
54				
55				
56				
57				
58				
59				
60				
61				
62				
63				
64				
65				
66				
67				
68				
69				
70				

K



RS34	RS34L	VS34	VS34L
W1059	○	W1059	W1087

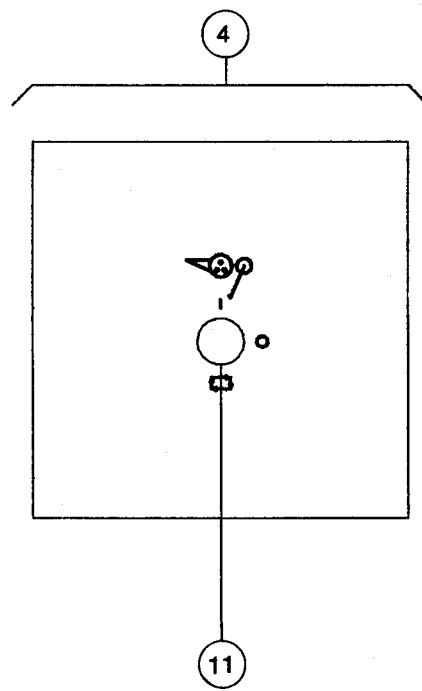
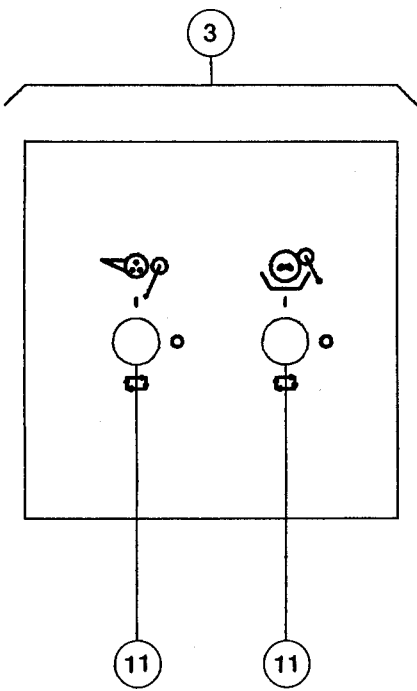
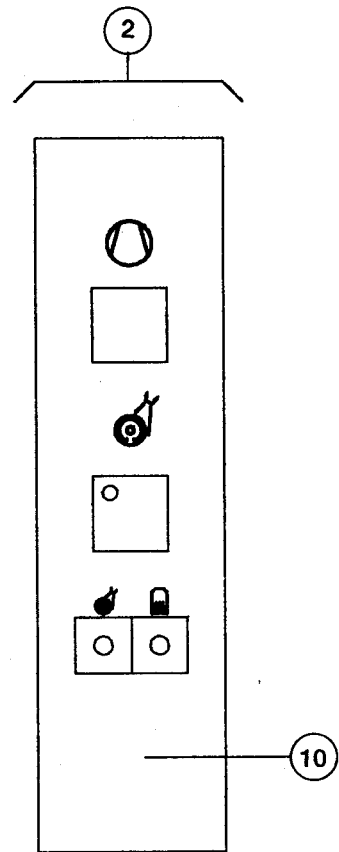
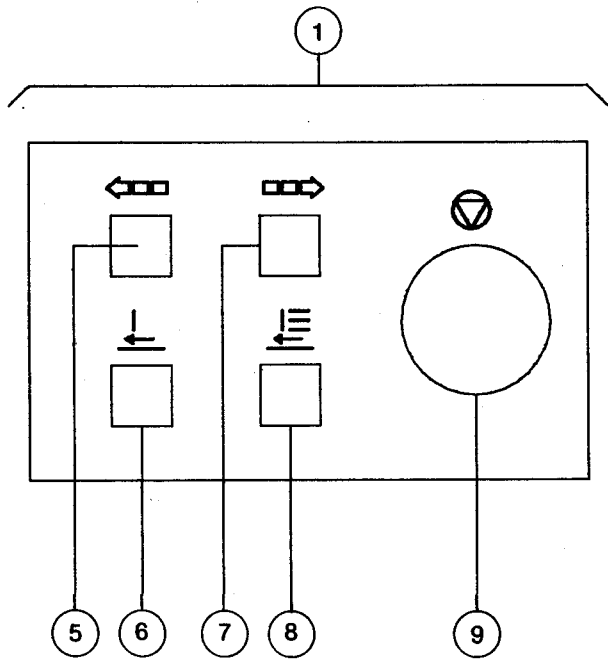
Operation Panel

W1061

INDEX No.	Parts No.	Description	Remarks	Units Per Assy
01	E48-11-1A-3	Operation Panel Assy		1
02	E48-11-1C-3	Operation Panel Assy (2nd)		1
03	E48-12-1A-3	Operation Panel Assy	Integrated	1
04	E48-12-1B-3	Operation Panel Assy	Molton	1
05	E42-19-01-3	Circuit Board		1
06	E45-04-01-3	Stop Switch		1
07	E45-06-02-3	Inching Switch (Reverse)		1
08	E45-06-01-3	Inching Switch (Forward)		1
09	E42-14-01-3	Volume Board (5KΩ)		1
10	E13-95-11-3	Stop Switch		1
11	E13-47-3	Toggle Switch		1
12	E13-90-01-3	Toggle Switch		1
13				
14				
15				
16				
17				
18				
19				
20				
21				
22				
23				
24				
25				
26				
27				
28				
29				
30				
31				
32				
33				
34				
35				
36				
37				
38				
39				
40				
41				
42				
43				
44				
45				
46				
47				
48				
49				
50				
51				
52				
53				
54				
55				
56				
57				
58				
59				
60				
61				
62				
63				
64				
65				
66				
67				
68				
69				
70				

K

W1062



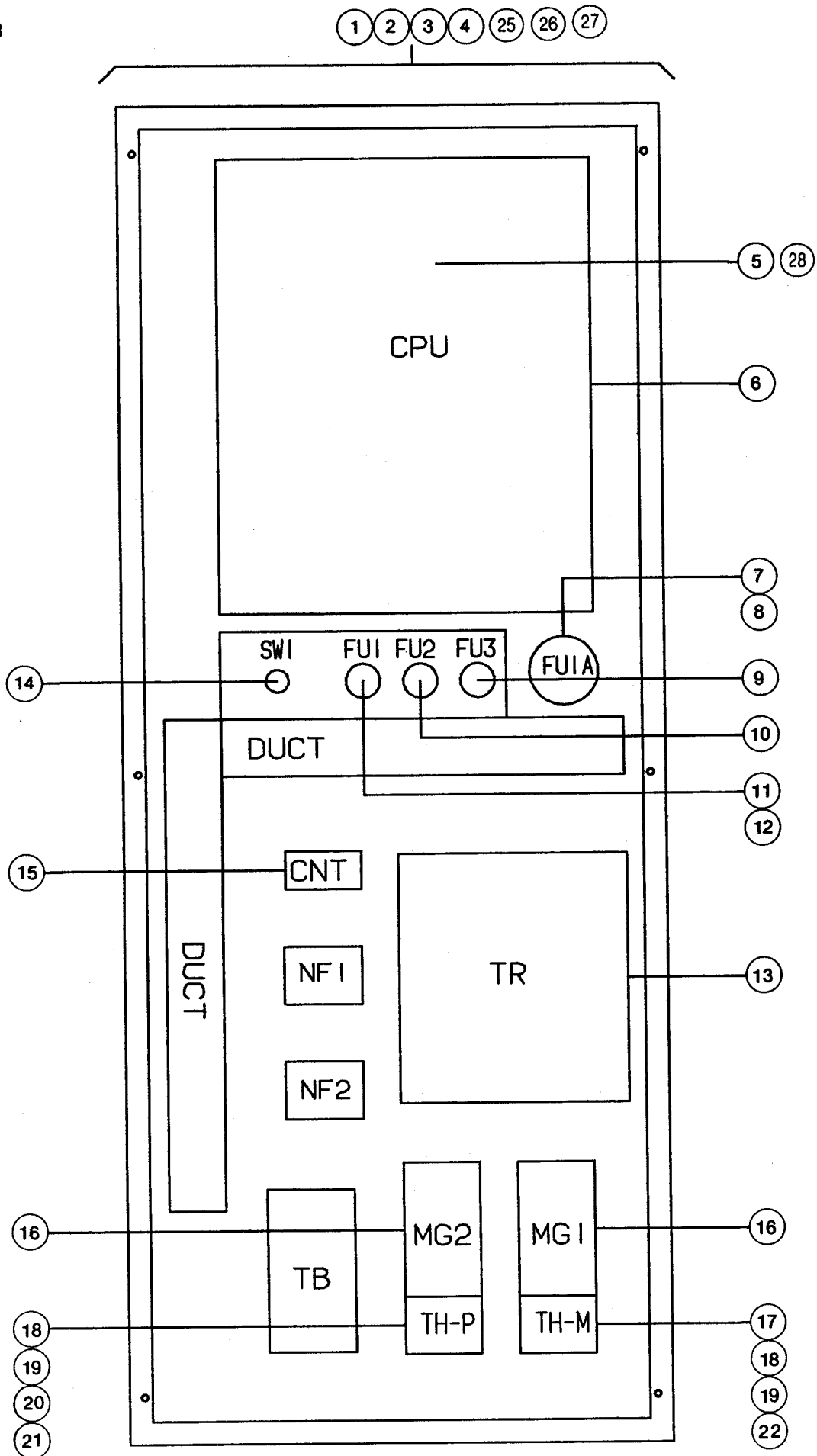
Opraton Panel

RS34	RS34L	VS34	VS34L
○	○	○	○

W1062

INDEX No.	Parts No.	Description	Remarks	Units Per Assy
01	E48-16-1A-3	Operation Panel Assy		1
02	E48-13-1A-3	Operation Panel Assy		1
03	E48-14-2A-3	Operation Panel Assy	Molton	1
04	E48-14-2B-3	Operation Panel Assy	Integrated	1
05	E45-06-01-3	Inching Switch (Forward)		1
06	E45-06-04-3	Feed Switch		1
07	E45-06-02-3	Inching Switch (Reverse)		1
08	E45-06-05-3	Feed Switch		1
09	E45-06-07-3	Stop Switch		1
10	E42-19-02-3	Circuit Board		1
11	E13-90-01-3	Toggle Switch		3
12				
13				
14				
15				
16				
17				
18				
19				
20				
21				
22				
23				
24				
25				
26				
27				
28				
29				
30				
31				
32				
33				
34				
35				
36				
37				
38				
39				
40				
41				
42				
43				
44				
45				
46				
47				
48				
49				
50				
51				
52				
53				
54				
55				
56				
57				
58				
59				
60				
61				
62				
63				
64				
65				
66				
67				
68				
69				
70				

K



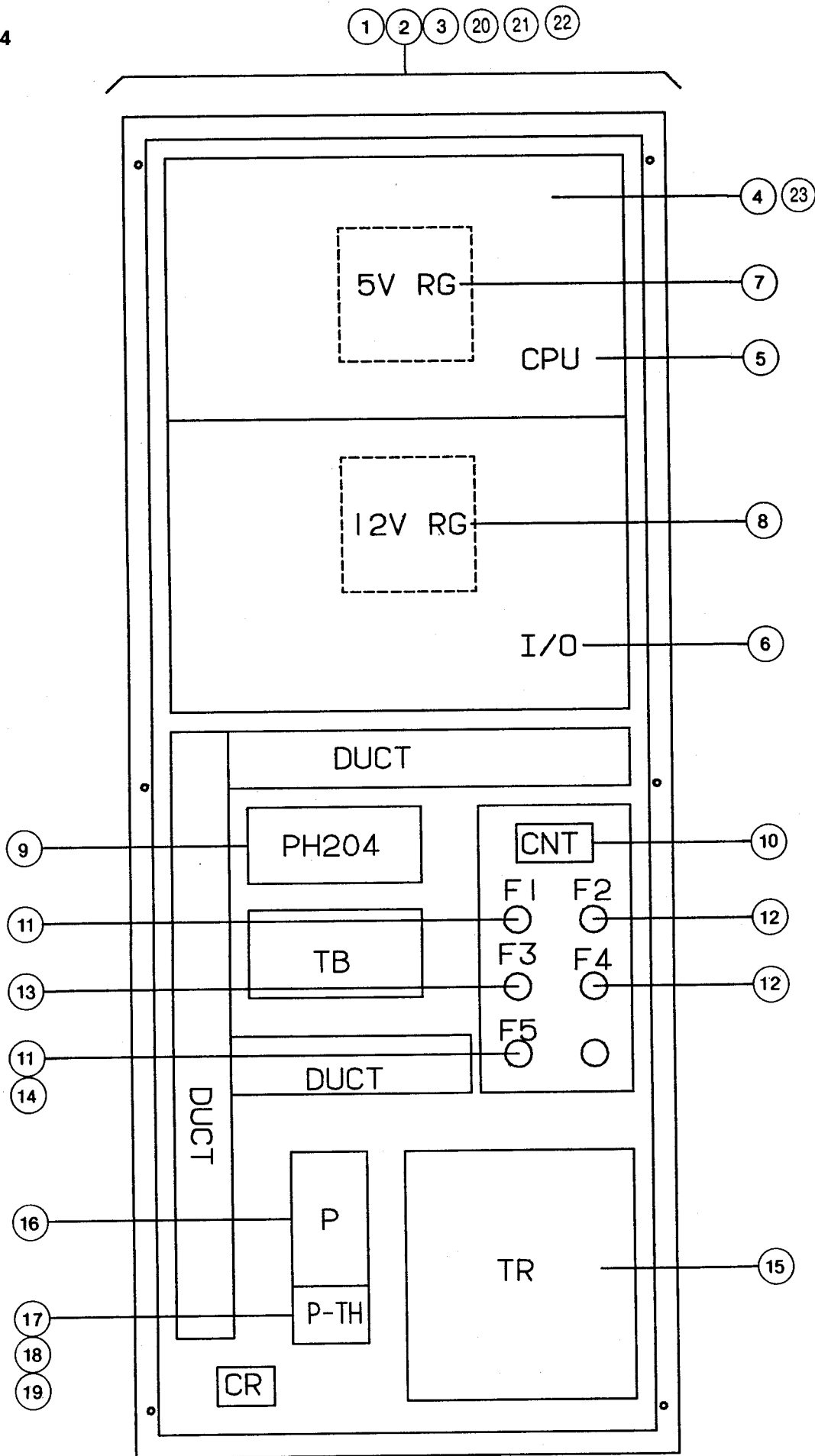
RS34	RS34L	VS34	VS34L
○	○	○	○

Control Box

W1063

INDEX No.	Parts No.	Description	Remarks	Units Per Assy
01	E46-20-1A-3	Control Box (T200/220V)	RS34	1
02	E46-20-1B-3	Control Box (S200-240V)	RS34	1
03	E46-20-1C-3	Control Box (T380/415V)	RS34	1
04	E46-20-1D-3	Control Box (S100V)		1
05	E42-23-01-3	P-ROM	RS34	1
06	E42-25-01-3	CPU Board		1
07	E05-38-3	Fuse		1
08	E05-39-3	Fuse Holder		1
09	E05-14-3	Grass Tubing Fuse (1A)		1
10	E05-41-3	Grass Tubing Fuse (4A)		1
11	E05-12-3	Grass Tubing Fuse (3A)		1
12	E05-37-3	Fuse Holder		3
13	E20-42-3	Transformer (200V)		1
14	E45-05-3	Toggle Switch		1
15	E04-56-3	Magnetic Counter		1
16	E03-40-3	Magnet Switch		1
17	E04-56-01-3	Thermal (0.95-1.45A)		1
18	E04-56-02-3	Thermal (1.4-2.2A)		1
19	E04-56-03-3	Thermal (1.7-2.6A)		1
20	E04-56-04-3	Thermal (2.8-4.2A)		1
21	E04-56-05-3	Thermal (5-8A)		1
22	E04-56-06-3	Thermal (9-13A)		1
23	E20-43-3	Transformer (380V)		1
24	E20-44-3	Transformer (100V)		1
25	E46-21-1A-3	Control Box (T200/220V)	VS34	1
26	E46-21-1B-3	Control Box (S200-240V)	VS34	1
27	E46-21-1C-3	Control Box (T380/415V)	VS34	1
28	E42-24-01-3	P-ROM	VS34	1
29				
30				
31				
32				
33				
34				
35				
36				
37				
38				
39				
40				
41				
42				
43				
44				
45				
46				
47				
48				
49				
50				
51				
52				
53				
54				
55				
56				
57				
58				
59				
60				
61				
62				
63				
64				
65				
66				
67				
68				
69				
70				

K



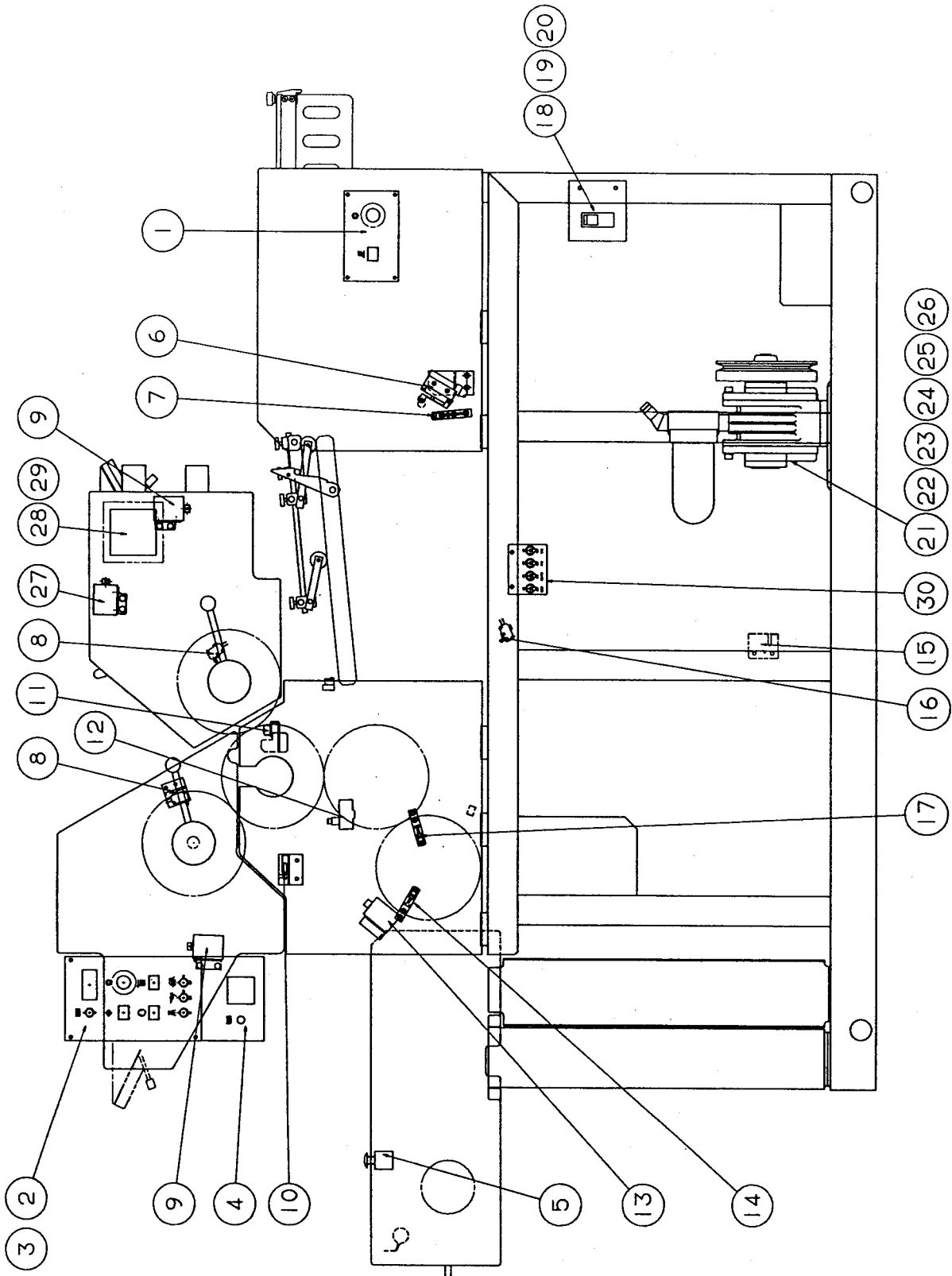
RS34	RS34L	VS34	VS34L
○	○	○	○

Control Box

W1064

INDEX No.	Parts No.	Description	Remarks	Units Per Assy
01	E46-22-1A-3	Control Box (T200/220V)	RS34L	1
02	E46-22-1B-3	Control Box (S200-240V)	RS34L	1
03	E46-22-1C-3	Control Box (T380/415V)	RS34L	1
04	E42-20-01-3	P-ROM	RS34L	1
05	E42-17-01-3	CPU Board		1
06	E42-17-02-3	I/O Board		1
07	E19-16-3	Switching Regulator (DC5V)		1
08	E19-18-3	Switching Regulator (DC12V)		1
09	E19-20-3	Power Board (DC24V)		1
10	E09-23-3	Magnetic Counter		1
11	E05-14-3	Grass Tubing Fuse (1A)		2
12	E05-13-3	Grass Tubing Fuse (2A)		2
13	E05-12-3	Grass Tubing Fuse (3A)		1
14	E05-37-3	Fuse Holder		5
15	E20-41-3	Transformer		1
16	E03-26-3	Magnet Switch		1
17	E04-53-3	Thermal (1.7~2.5A)		1
18	E04-49-3	Thermal (2.8~4.4A)		1
19	E04-54-3	Thermal (1~1.6A)		1
20	E46-23-1A-3	Control Box (T200/220V)	VS34L	1
21	E46-23-1B-3	Control Box (S200-240V)	VS34L	1
22	E46-23-1C-3	Control Box (T380/415V)	VS34L	1
23	E42-21-01-3	P-ROM	VS34L	1
24				
25				
26				
27				
28				
29				
30				
31				
32				
33				
34				
35				
36				
37				
38				
39				
40				
41				
42				
43				
44				
45				
46				
47				
48				
49				
50				
51				
52				
53				
54				
55				
56				
57				
58				
59				
60				
61				
62				
63				
64				
65				
66				
67				
68				
69				
70				

K



CC

CC

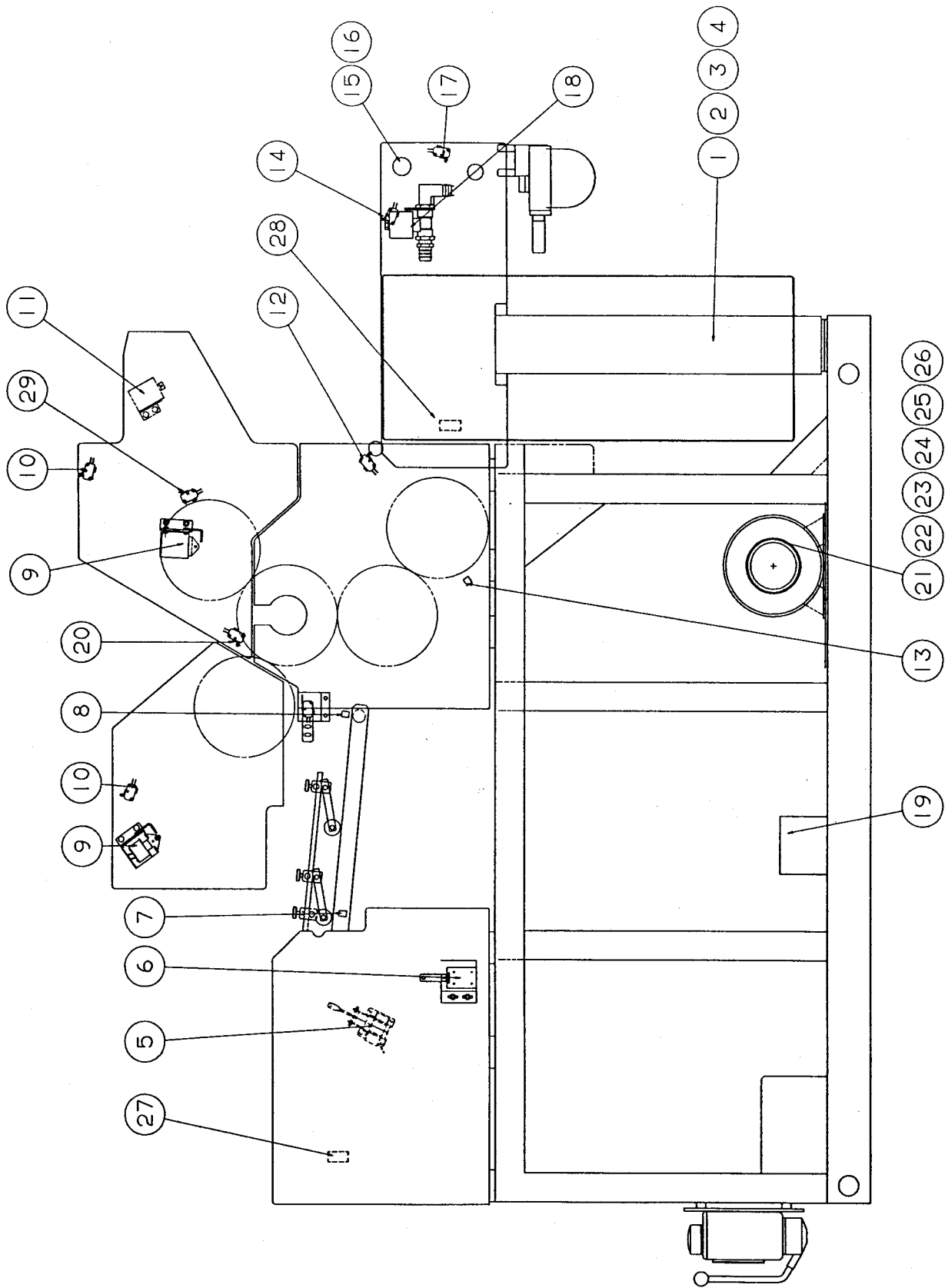
CC

RS34	RS34L	VS34	VS34L
○	W1067	W1083	W1085

Electric Components (OP-S)

W1065

INDEX No.	Parts No.	Description	Remarks	Units Per Assy
01	E48-16-2A-3	Operation Panel (Feed)		1
02	E48-09-1A-3	Operation Panel (Main)	Molton	1
03	E48-09-1B-3	Operation Panel	Integrated	1
04	E48-10-1A-3	Operation Panel (Preset Counter)		1
05	E13-95-11-3	Stop Switch		1
06	E10-20-3	Limit Switch (Spray Timing)		1
07	E26-75-3	Sensor (B. JAM Timing)		1
08	E10-29-3	Limit Switch (Single Lever)		1
09	E09-25-3	Solenoid (Dampening Ductor)		1
10	E10-30-3	Limit Switch (OP-S Cover)		1
11	E10-29-3	Limit Switch (Vertical Adjust Handle)		1
12	E10-49-3	Limit Switch (Non-Rotating Hand Wheel)		1
13	E09-25-3	Solenoid (Impression)		1
14	E26-75-3	Sensor (Impression Timing)		1
15	E10-30-3	Limit Switch (OP-S Lower Cover)		1
16	E10-29-3	Limit Switch (Impression Cylinder Cover)		1
17	E26-75-3	Sensor (P-B Timing)		1
18	E02-19-3	Braker (T200/220V)		1
19	E02-20-3	Braker (S200-240V)		1
20	E02-21-3	Braker (T380/415V)		1
21	E01-83-3	Motor (T200V)		1
22	E01-85-3	Motor (S200/220V)		1
23	E01-87-3	Motor (S240V)		1
24	E01-89-3	Motor (T380V)		1
25	E01-129-3	Motor (T415V)		1
26	E01-85-3	Motor (S100V)		1
27	E09-25-3	Solenoid (Ink Ductor)		1
28	E48-14-1A-3	Operation Panel (2nd)	Molton	1
29	E48-14-1B-3	Operation Panel	Integrated	1
30	E48-17-1A-3	Operation Panel (Sub)		1
31				
32				
33				
34				
35				
36				
37				
38				
39				
40				
41				
42				
43				
44				
45				
46				
47				
48				
49				
50				
51				
52				
53				
54				
55				
56				
57				
58				
59				
60				
61				
62				
63				
64				
65				
66				
67				
68				
69				
70				



CC

CC

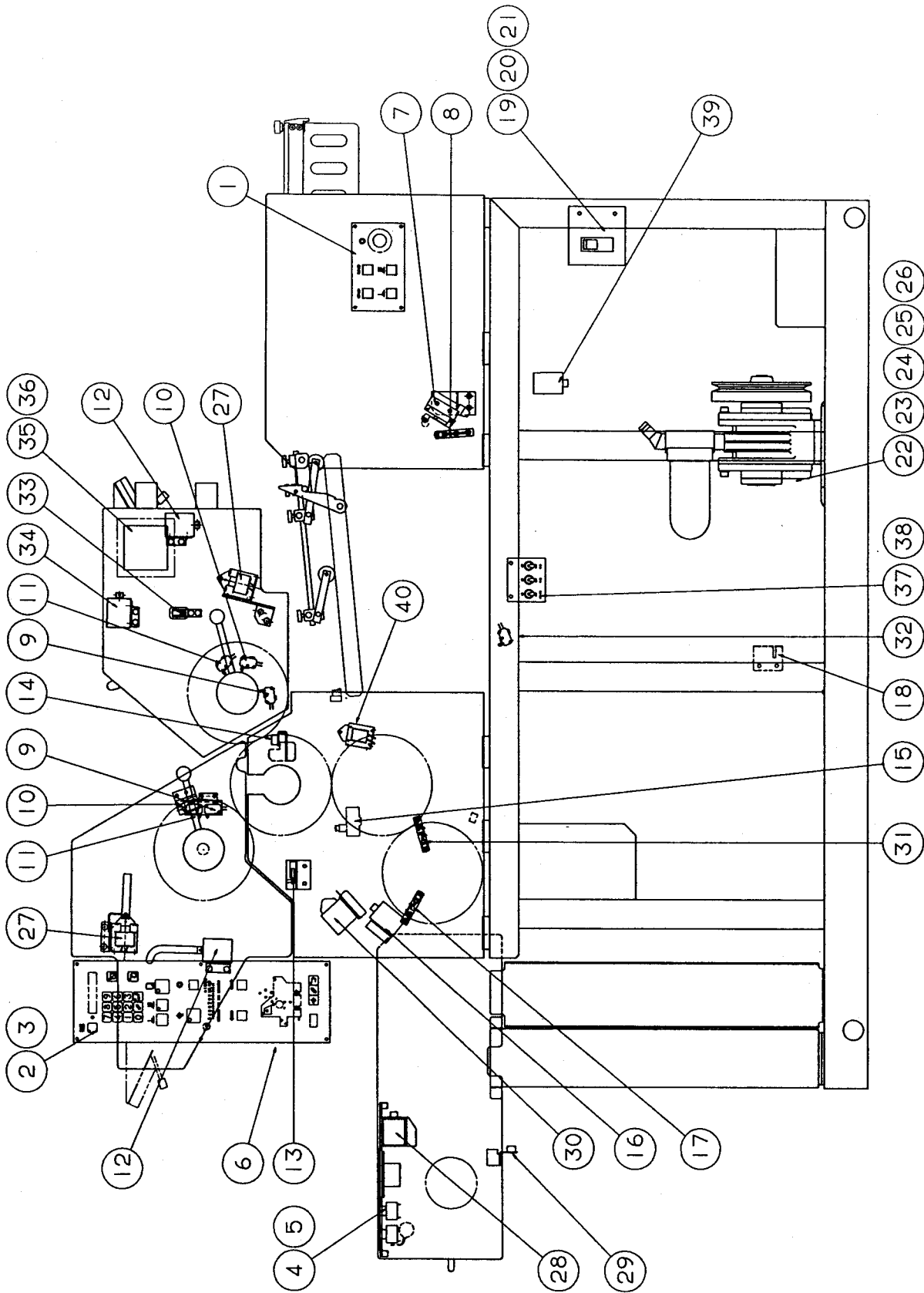
CC

RS34	RS34L	VS34	VS34L
○	W1068	W1084	W1086

Electric Components (NOP-S)

W1066

INDEX No.	Parts No.	Description	Remarks	Units Per Assy
01	E46-20-1A-3	Control Box (T200/220V)		1
02	E46-20-1B-3	Control Box (S200-240V)		1
03	E46-20-1C-3	Control Box (T380/415V)		1
04	E46-20-1D-3	Control Box (S100V)		1
05	E09-60-01-3	Solenoid (Double Sheet Detection)		1
06	E09-25-3	Solenoid (Paper Feed)		1
07	E26-74-3	Sensor (Paper Detection (Feed))		1
08	E26-74-3	Sensor (Paper Detection (Imp.))		1
09	E09-60-01-3	Solenoid (P-B)		1
10	E10-29-3	Limit Switch (Damp/Ink Cover)		1
11	E09-25-3	Solenoid (Ink Ductor)		1
12	E10-29-3	Limit Switch (CD Front Cover)		1
13	E26-74-3	Sensor (Blanket JAM)		1
14	E10-29-3	Limit Switch (CD Upper Cover)		1
15	E24-10-3	Fluorescent Light (50Hz)		1
16	E24-09-3	Fluorescent Light (60Hz)		1
17	E10-29-3	Limit Switch (CD JAM)		1
18	E09-43-3	Spray Valve		1
19	E11-01-05-3	Static ELIM. Transformer		1
20	E10-29-3	Limit Switch (Blanket Cylinder Cover)		1
21	E01-66-3	Motor (T200/220V)		1
22	E01-86-3	Motor (S200V)		1
23	E01-88-3	Motor (S240V)		1
24	E01-68-3	Motor (T380V)		1
25	E01-103-3	Motor (T415V)		1
26	E01-86-3	Motor (S100V)		1
27	E11-02-04-6	Static ELIM. Bar (Feed)		1
28	E11-02-01-6	Static ELIM. Bar (Delivery)		1
29	E10-29-3	Limit Switch (Night Latch)	Integrated	1
30				
31				
32				
33				
34				
35				
36				
37				
38				
39				
40				
41				
42				
43				
44				
45				
46				
47				
48				
49				
50				
51				
52				
53				
54				
55				
56				
57				
58				
59				
60				
61				
62				
63				
64				
65				
66				
67				
68				
69				
70				



CC

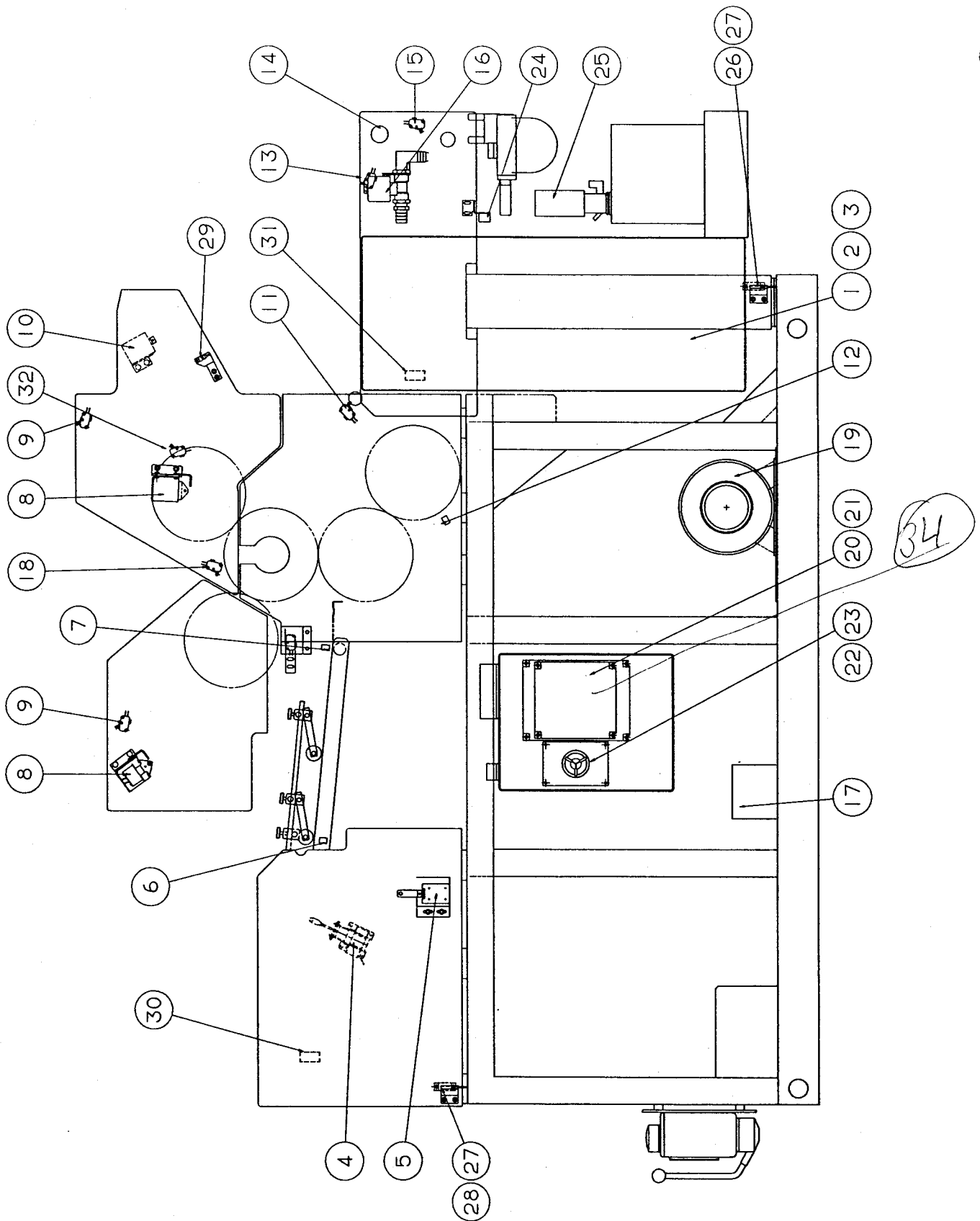
RS34	RS34L	VS34	VS34L
W1065	○	W1083	W1085

Electric Components (OP-S)

W1067

INDEX No.	Parts No.	Description	Remarks	Units Per Assy
01	E48-16-1A-3	Operation Panel (Feed)		1
02	E48-11-1A-3	Operation Panel (Main)		1
03	E48-11-1C-3	Operation Panel (Main, 2nd)		1
04	E48-12-1A-3	Operation Panel (Sub)	Molton	1
05	E48-12-1B-3	Operation Panel (Sub)	Integrated	1
06	E48-13-1A-3	Operation Panel (Blanket Cleaning)		1
07	E10-20-3	Limit Switch (Spray Timing)		1
08	E26-75-3	Sensor (Blanket JAM Timing)		1
09	E10-29-3	Limit Switch (SL 1)		1
10	E10-29-3	Limit Switch (SL 2)		1
11	E10-29-3	Limit Switch (SL 3)		1
12	E09-25-3	Solenoid (Dampening Ductor)		1
13	E10-30-3	Limit Switch (OP-S, Cover)		1
14	E10-29-3	Limit Switch (Vertical Adjust Handle)		1
15	E10-49-3	Limit Switch (Non-Rotating Hand Wheel)		1
16	E09-25-3	Solenoid (Impression)		1
17	E26-75-3	Sensor (Impression Timing)		1
18	E10-30-3	Limit Switch (OP-S, Lower Cover)		1
19	E10-19-3	Breaker (T200/220V)		1
20	E10-20-3	Breaker (S200~240V)		1
21	E10-22-3	Breaker (T380/415V)		1
22	E01-83-3	Motor (T200/220V)		1
23	E01-85-3	Motor (S200V)		1
24	E01-87-3	Motor (S240V)		1
25	E01-89-3	Motor (T380V)		1
26	E01-129-3	Motor (T415V)		1
27	E09-60-01-3	Solenoid (Single Lever)		1
28	E09-25-3	Solenoid (Delivery Stack Lower)		1
29	E26-84-02-3	Sensor (Delivery Stack Height Detection)		1
30	E09-60-01-3	Solenoid (Blanket Cleaning)		1
31	E26-75-3	Sensor (P-B Timing)		1
32	E10-29-3	Limit Switch (Impression Cylinder Cover)		1
33	E26-75-3	Sensor (Single Lever Timing)		1
34	E09-25-3	Solenoid (Ink Ductor)		1
35	E48-14-2A-3	Operation Panel (2nd)	Molton	1
36	E48-14-2B-3	Operation Panel	Integrated	1
37	E48-18-1A-3	Operation Panel (Impression)		1
38	E48-18-2A-3	Operation Panel (2nd P-B)		1
39	E09-25-3	Solenoid (Air Blowing)		1
40	E09-58-01-3	Solenoid (Jam Stopper)		1
41				
42				
43				
44				
45				
46				
47				
48				
49				
50				
51				
52				
53				
54				
55				
56				
57				
58				
59				
60				
61				
62				
63				
64				
65				
66				
67				
68				
69				
70				

K



C C

C

C C

RS34	RS34L	VS34	VS34L
W1068	○	W1084	W1086

Electric Components (NOP-S)

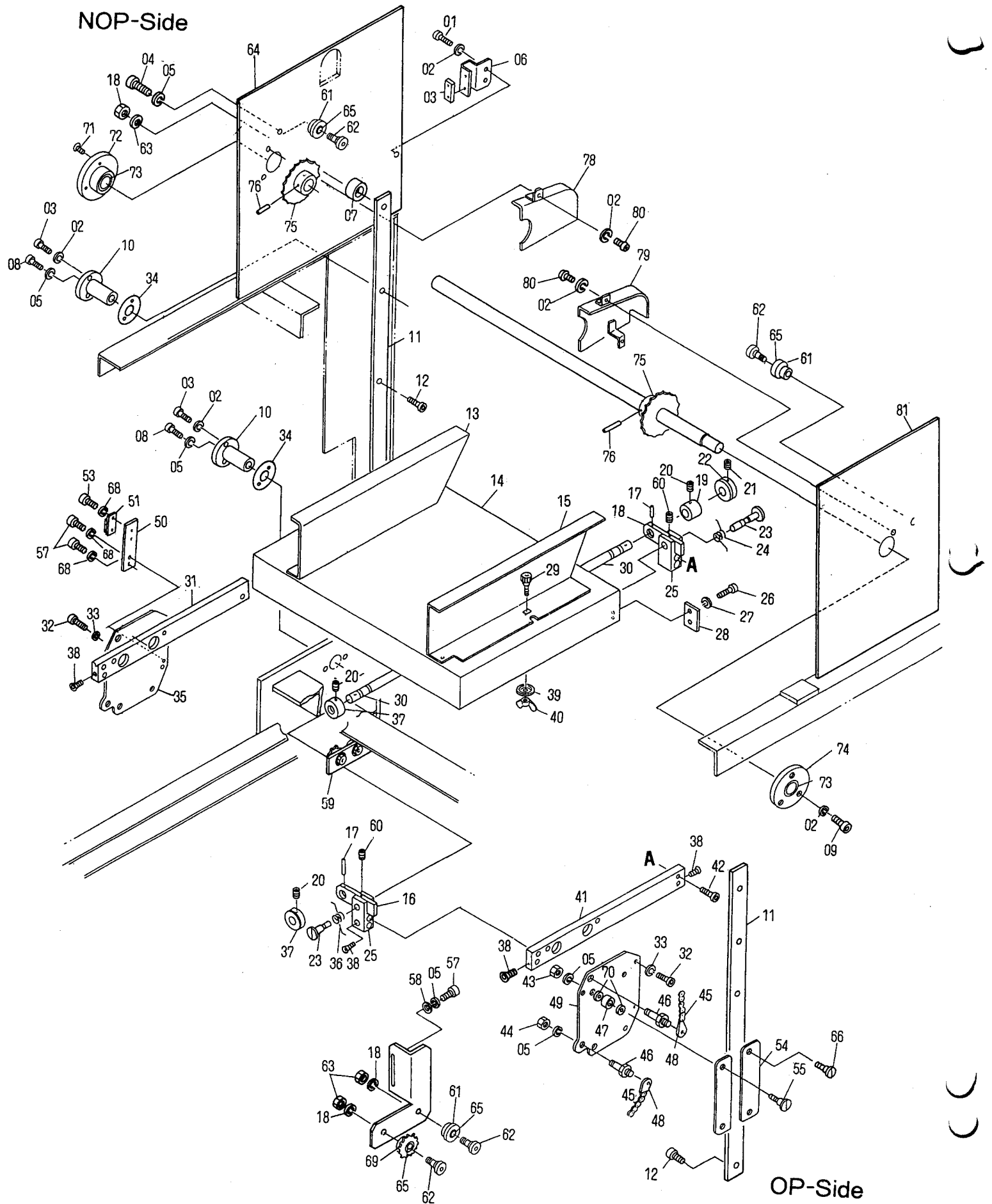
W1068

INDEX No.	Parts No.	Description	Remarks	Units Per Assy
01	E46-22-1A-3	Control Box (T200/220V)		1
02	E46-22-1B-3	Control Box (S200-240V)		1
03	E46-22-1C-3	Control Box (T380/415V)		1
04	E09-60-01-3	Solenoid (Double Sheet Detection)		1
05	E09-25-3	Solenoid (Paper Feed)		1
06	E26-74-3	Sensor (Paper Detection (Feed))		1
07	E26-74-3	Sensor (Paper Detection (Imp.))		1
08	E09-60-01-3	Solenoid (P-B)		1
09	E10-29-3	Limit Switch (Damp/Ink Cover)		1
10	E09-25-3	Solenoid (Ink Ductor)		1
11	E10-29-3	Limit Switch (CD Front Cover)		1
12	E26-74-3	Sensor (Blanket JAM)		1
13	E10-29-3	Limit Switch (CD Upper Cover)		1
14	E24-10-3	Fluorescent Light (50Hz)		1
15	E24-09-3	Fluorescent Light (60Hz)		1
16	E09-43-3	Spray Valve		1
17	E11-01-05-3	Static ELIM. Transformer		1
18	E10-29-3	Limit Switch (Blanket Cylinder Cover)		1
19	E01-73-3	Motor		1
20	E46-18-3	Inverter <i>PANASONIC</i> (T200/220V) <i>NO GOOD</i>		1
21	E46-19-3	Inverter (S200-240V)		1
22	E21-24-3	Noise Filter (T200/220V)		1
23	E21-25-3	Noise Filter (S200-240V)		1
24	E26-84-01-3	Emitting Lamp (Pile Height Detection)		1
25	E01-111-3	Motor (Blanket Cleaning)		1
26	E10-12-3	Lead Switch (Delivery Table Bottom)		1
27	E10-14-3	Magnet		2
28	E10-12-3	Lead Switch (Paper Stock Height Detection)		1
29	E26-75-3	Sensor (Single Lever Timing)		1
30	E11-02-04-6	Static ELIM. Bar (Feed)		1
31	E11-02-01-6	Static ELIM. Bar (Delivery)		1
32	E10-29-3	Limit Switch (Night Latch)	Integrated	1
33				
34	<i>E46-3501-3</i>	<i>mitsubishi inverter</i>		
35				
36				
37				
38				
39				
40				
41				
42				
43				
44				
45				
46				
47				
48				
49				
50				
51				
52				
53				
54				
55				
56				
57				
58				
59				
60				
61				
62				
63				
64				
65				
66				
67				
68				
69				
70				

K

W1069

NOP-Side



OP-Side

RS34	RS34L	VS34	VS34L
W1001	W1001	○	○

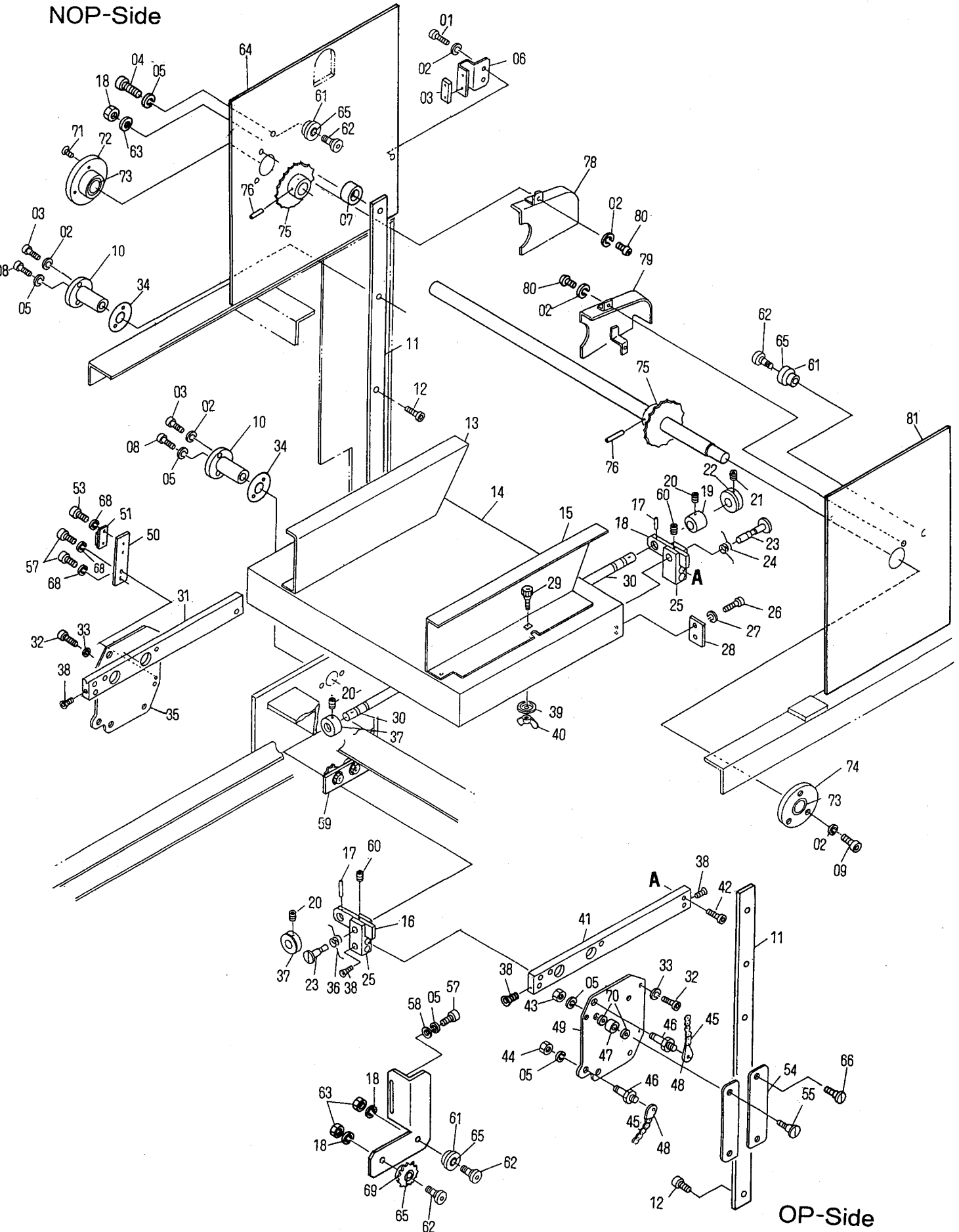
**Feed Section
Paper Table and Elevator**

W1069

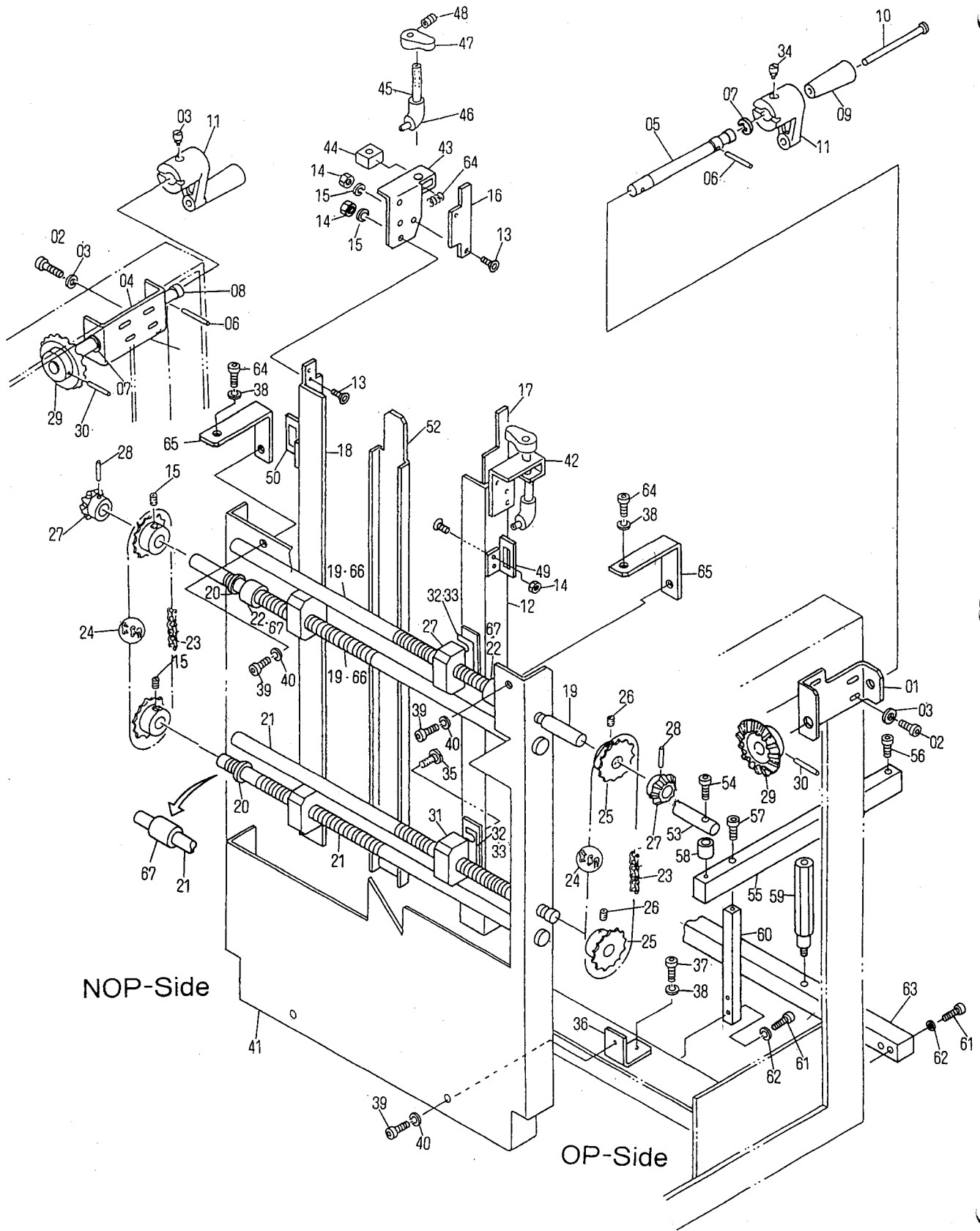
A

INDEX No.	Parts No.	Description	Remarks	Units Per Assy
01	117-515	Screw		2
02	180-105	Lock Washer		13
03	E10-12-3	Lead Switch	RS34L	1
04	117-470	Screw		2
05	180-108	Lock Washer		22
06	6801-08073	Magnet Bracket	RS34L	1
07	6801-08029	Spacer		2
08	117-489	Screw		4
09	117-512	Screw		11
10	6801-08074	Spacer		4
11	6901-08013	Guide Rail		2
12	117-358	Screw		2
13	6901-08009	Paper Table Bracket	NOP-S	2
14	6801-08001	Paper Table Support Frame		2
15	6901-08010	Paper Table Bracket	OP-S	2
16	6801-08025	Link		4
17	183-243	Roll Pin		4
18	170-112	Nut		8
19	6801-08126	Collar		2
20	145-405	Set Screw		6
21	145-406	Set Screw		2
22	6801-08127	Collar		2
23	6801-08033	Pin		4
24	6801-08031	Spring		2
25	6801-08020	Block		4
26	117-408	Screw		8
27	180-104	Lock Washer		8
28	6801-08028	Plate		4
29	H12-15-3	Screw		4
30	6801-08128	Shaft		2
31	6801-08114	Spreader	NOP-S	1
32	117-362	Screw		3
33	180-106	Lock Washer		4
34	6801-08075	Shim		—
35	6801-08113	Bracket	NOP-S	1
36	6801-08030	Spring		2
37	6801-08129	Collar		4
38	122-108	Screw		4
39	H12-16-3	Washer		4
40	163-105	Wing Nut		4
41	6801-08003	Spreader		1
42	117-518	Screw		8
43	170-106	Nut		8
44	170-108	Nut		4
45	6901-08015	Chain		2
46	6801-08032	Chain Lock Stud		4
47	250-108.6	Bearing		8
48	H09-27-3	Elevator Chain Connecting Eyelet		4
49	6801-08002	Plate		1
50	6801-08072	Bracket	RS34L	1
51	E10-14-3	Magnet	RS34L	1
52	180-103	Lock Washer		2
53	117-312	Screw		2
54	6801-08024	Plate		4
55	6801-08034	Bearing Pin		8
56	6901-08016	Bracket		1
57	117-462	Screw		4
58	184-108	Flat Washer		4
59	6901-08022	Bracket		1
60	145-404	Set Screw		4
61	6801-08050A	Block		4
62	6801-08056	Pin		6
63	180-112	Lock Washer		12
64	6901-01003	Frame	NOP-S	1
65	PC03-48	Bushing	Included in 61	6
66	6801-08130	Bearing Pin		4
67	117-310	Screw		2
68	180-103	Lock Washer		4
69	6801-08116A	Sprocket		2
70	H15-27-3	Spacer		8

NOP-Side



OP-Side



RS34	RS34L	VS34	VS34L
W1042 - W1043	W1042 - W1043	○	○

**Feed Section
Paper Magazine Shifter**

W1070

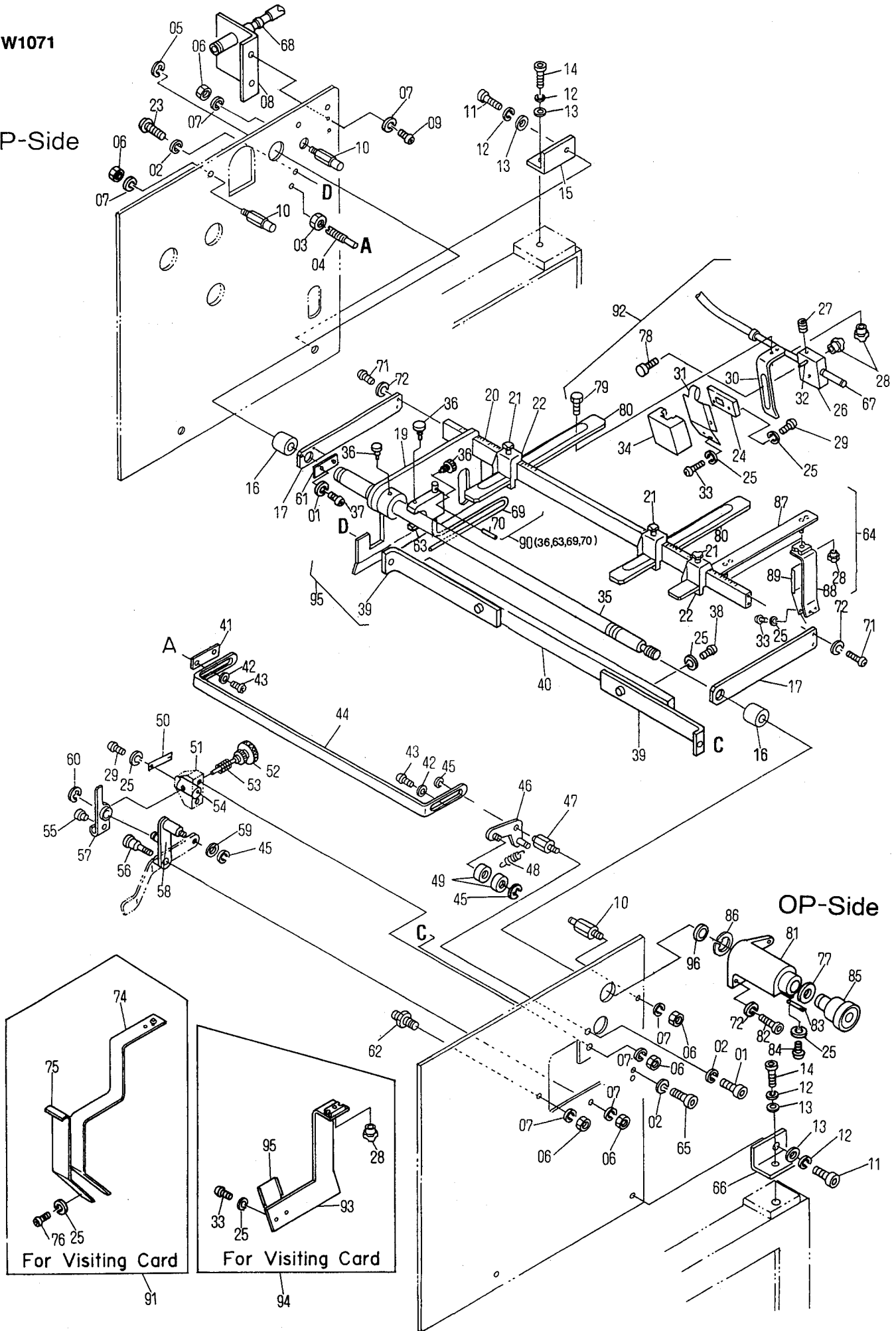
A

INDEX No.	Parts No.	Description	Remarks	Units Per Assy
01	6901-08029	Bracket	OP-S	1
02	117-362	Screw		7
03	184-106	Flat Washer		7
04	6901-08030	Bracket	NOP-S	1
05	6901-08031	Shaft		1
06	183-209	Roll Pin		2
07	181-410	E-Ring		3
08	6901-08032	Shaft		1
09	6901-08033	Handle	Included in 11	2
10	CK06-13	Shaft	Included in 11	2
11	6901-08040A	Crank Handle Assy		2
12	6901-08043	Paper Magazine Guide	OP-S	1
13	122-115.01	Screw		8
14	170-105.01	Nut		12
15	180-105.01	Lock Washer		8
16	6801-08013	Guide Bracket	NOP-S	1
17	6801-08012	Guide Bracket	OP-S	1
18	6901-08044	Paper Magazine Guide	NOP-S	1
19	6901-08036	Shaft		2
20	181-410	E-Ring		4
21	6901-08037	Shaft		2
22	6901-08038	Spacer		2
23	6901-08039	Chain		2
24	280-000.21	Chain Connecting Link	Included in 23	2
25	CK06-09	Sprocket		4
26	145-358	Set Screw		4
27	CK06-10	Bevel Gear		2
28	183-186	Roll Pin		2
29	CK06-11	Bevel Gear		2
30	183-189	Roll Pin		2
31	CK06-18	Bracket		4
32	CK06-31	Shim (t=0.1)		—
33	CK06-32	Shim (t=0.2)		—
34	H09-02-3	Pilot Screw		2
35	KC06-19	Shoulder Screw		8
36	6905-01007	Bracket		2
37	117-365	Screw		5
38	180-106	Lock Washer		5
39	117-510	Screw		5
40	180-105	Lock Washer		5
41	6905-01013	Bracket		1
42	6801-08018A	Bracket	OP-S	1
43	6801-08019A	Bracket	NOP-S	1
44	6801-08095	Block		2
45	6801-08122	Blower Nozzle		2
46	6801-08124	Hose Joint		2
47	CK06-29	Blower Nozzle Knob		2
48	145-505	Set Screw		4
49	6801-08121	Guide	OP-S	1
50	6801-08125	Guide	NOP-S	1
51	122-112.01	Screw		4
52	6801-08007	Paper Magazine Center Guide Channel		1
53	6801-08011	Shaft		1
54	117-490	Screw		2
55	6801-08010	Bracket		2
56	117-358	Screw		2
57	117-470	Screw		4
58	6901-08017	Spacer		2
59	6901-08014	Stud Bolt		2
60	6901-08018	Bracket		2
61	117-480	Screw		8
62	180-108	Lock Washer		4
63	6801-08006	Bracket		1
64	101-362	Screw		2
65	6905-01012	Bracket		2
66	6901-08048	Shaft		2
67	6901-08049	Collar		2

W1071

NOP-Side

OP-Side



RS34	RS34L	VS34	VS34L
W1004	W1004	○	○

**Feed Section
Side and Back Guide**

W1071

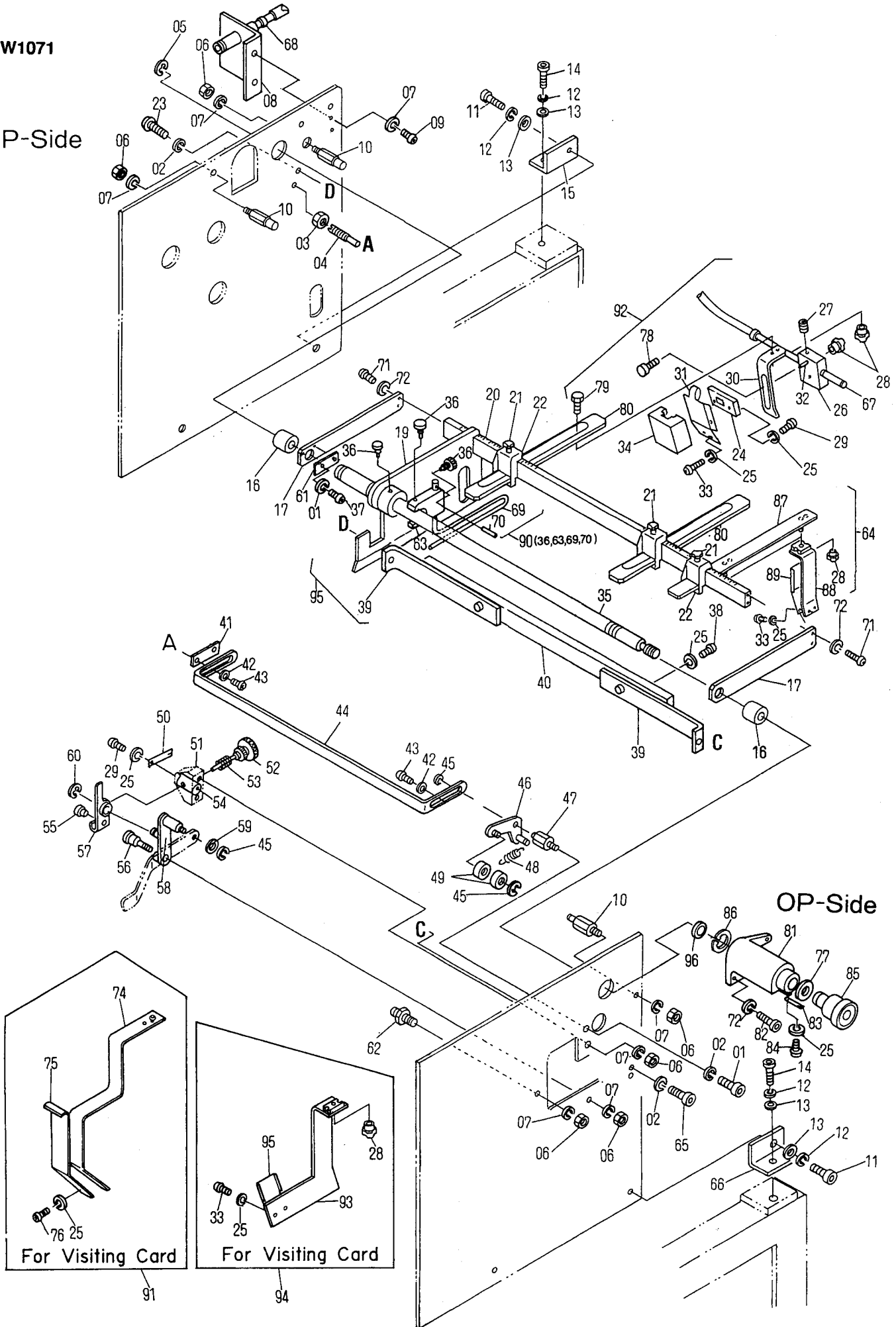
A

INDEX No.	Parts No.	Description	Remarks	Units Per Assy
01	180-103	Lock Washer		2
02	180-105	Lock Washer		8
03	170-108	Nut		1
04	CK05-11	Shoulder Screw		1
05	181-412	E-Ring		1
06	170-106	Nut		6
07	180-106	Lock Washer		6
08	6901-12017	Bracket		1
09	125-760	Screw		2
10	6901-06005	Pin		3
11	117-475	Screw		3
12	180-108	Lock Washer		7
13	184-108	Flat Washer		7
14	117-470	Screw		4
15	5105-1006	Angle	NOP-S	2
16	6901-06006	Collar		2
17	6901-06020	Feeder Pile Guide Support Arm		2
18	125-715	Screw		4
19	6801-06028	Feeder Pile Guide	NOP-S	1
20	6901-06003	Guide Support Cross Bar		1
21	KC05-33	Thumb Screw		1
22	EH11-12	Mounting Bracket		2
23	125-712	Screw		2
24	6901-06018	Plate		1
25	180-104	Lock Washer		18
26	CK05-14	Block		1
27	145-510	Set Screw		1
28	KC05-34	Back Guide Knob		5
29	125-656	Screw		5
30	CK05-16A	Tail Guide		1
31	CK05-36	Plate Spring		2
32	183-243	Roll Pin		1
33	125-655	Screw		8
34	6901-06025	Weight		2
35	6901-06021	Feeder Pile Guide Slide Shaft		1
36	6901-06015A	Thumb Screw		5
37	125-606	Screw		2
38	125-675	Screw		2
39	6901-06013	Bracket		2
40	E11-02-04-6	Anti-Static Bar		1
41	CK05-29	Height Control Bar Connecting Link		1
42	184-105	Flat Washer		2
43	125-708	Screw		2
44	6801-06007	Height Control Bar		1
45	181-404	E-Ring		3
46	6801-06020A	Height Control Lever Assy		1
47	6801-06019	Pilot Stud		1
48	H06-16-02-3	Spring		1
49	6801-06022	Bearing		2
50	CK05-30	Flat Spring		1
51	H06-32-3	Adjusting Knob Guide Block		1
52	CK05-32A	Adjusting Knob for Height Control		1
53	H06-31-3	Spring		1
54	CK05-31	Adjusting Knob Guide Block Swivel Pin		1
55	H06-28-3	Height Control Adjusting Swivel Pin		1
56	H06-17-3	Shoulder Screw		1
57	H06-26-1C-3	Height Control Intermediate Lever		1
58	CK05-22A	Height Control Prive Lever Assy		1
59	184-104	Flat Washer		1
60	181-406	E-Ring		1
61	6501-11005	Plate		1
62	6801-06017	Spring Pin		1
63	5801-06026	Block		2
64	CK05-18A	Guide Assy (25, 28, 33, 87-89)		1
65	117-515	Screw		2
66	5105-01005	Angle	OP-S	2
67	6901-12005B	Blower Nozzle		1
68	5103-09104	Hose Joint		1
69	6901-06014	Guide		2
70	183-139.01	Roll Pin		2

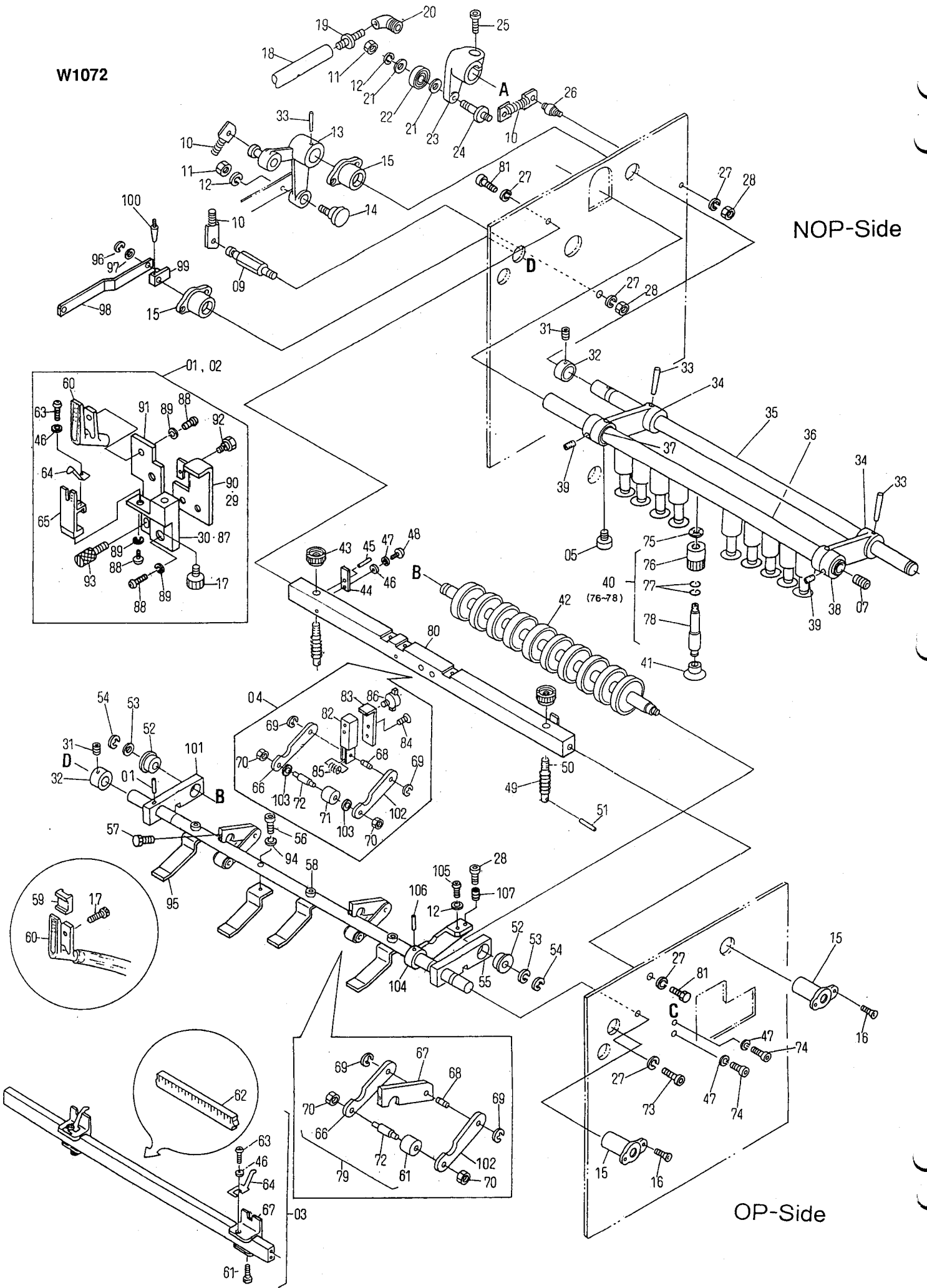
W1071

NOP-Side

OP-Side



W1072



NOP-Side

OP-Side

RS34	RS34L	VS34	VS34L
W1005	W1005	○	○

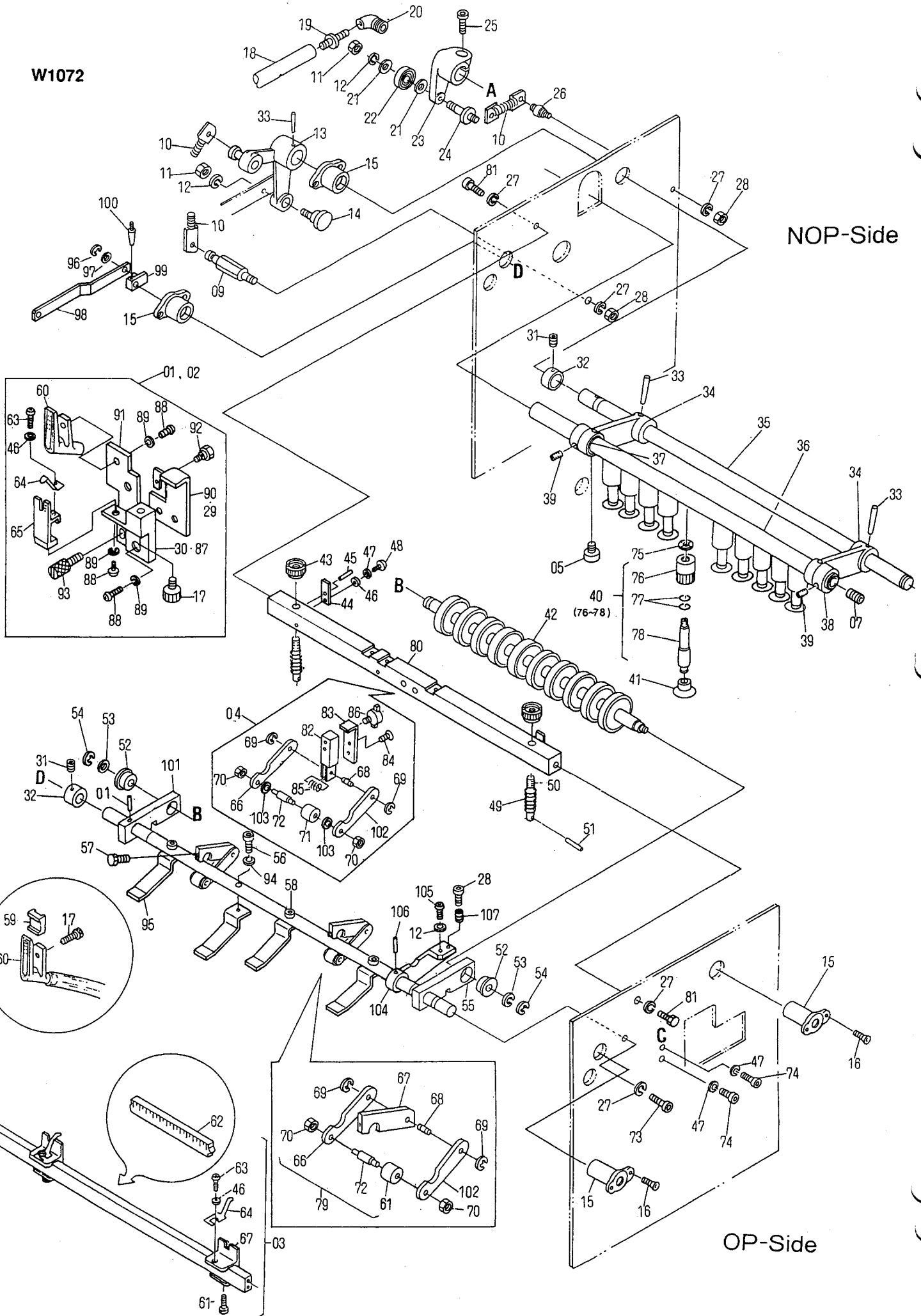
**Feed Section
Suction Foot and Pullout Roller**

W1072

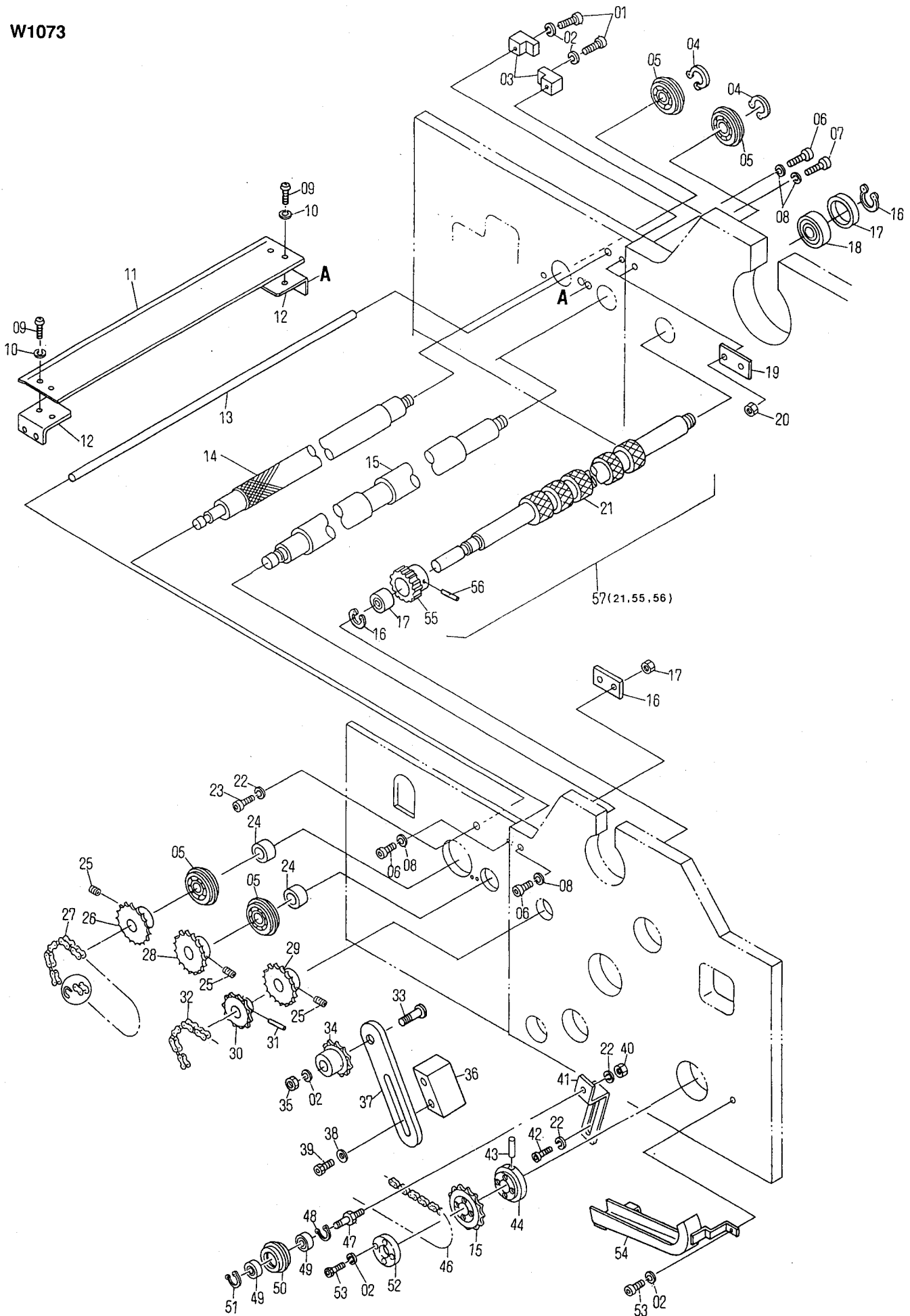
A

INDEX No.	Parts No.	Description	Remarks	Units Per Assy
01	6901-05043B	Front Blower Assy (17, 29, 30, 46, 60, 63-65, 88, 89, 91-93)	NOP-S Option	1
02	6901-05043A	Front Blower Assy (17, 46, 60, 63-65, 87-93)	OP-S Option	1
03	6901-05046A	Sheet Separator Assy (46, 61, 63-65)		4
04	6901-02030B	Guide Roller Assy		2
05	6801-05076	Plug		2
07	145-556	Set Screw		1
08	6901-05049	Pin Included in 13		1
09	6801-05017	Stud Bolt		1
10	CM11-02A	Spring Assy		2
11	170-106	Nut		2
12	180-106	Lock Washer		3
13	6801-05003	Lever		1
14	CK08-09	Eccentric Pin		1
15	6801-05018	Bushing Bracket		4
16	122-110	Screw		4
17	H11-34-3	Thumb Screw		2
18	CK02-45	Hose		1
19	5801-05042	Hose Joint		1
20	5801-05041	Elbow		1
21	184-106.3	Flat Washer		1
22	250-126.6	Bearing		1
23	CK02-30	Suction Foot Operating Arm		1
24	6801-05016	Stud Bolt		1
25	117-468	Screw		1
26	6801-05031	Spring Pin		1
27	180-108	Lock Washer		6
28	170-108	Nut		3
29	6901-05042	Bracket	NOP-S	1
30	6901-05040	Block	NOP-S	1
31	145-505	Set Screw		3
32	M05-37-3	Collar		3
33	182-169	Taper Pin		3
34	6801-05064A	Pilot Shaft Bracket		2
35	6801-05002	Suction Pilot Shaft		1
36	6801-05075	Suction Pilot Shaft		1
37	6801-05063	Bushing Included in 34		2
38	CK02-37	Collar		2
39	145-356	Set Screw		2
40	CK02-12A	Suction Pilot Assy (76-78)		10
41	CK02-77	Sucker		10
42	6901-02023	Upper Pullout Roller		1
43	6801-02023	Knob		2
44	CK02-66	Flat Spring		2
45	183-178	Roll Pin		2
46	184-104	Flat Washer		6
47	180-104	Lock Washer		6
48	125-656	Screw		2
49	6801-02019	Spring		2
50	6801-02017	Pin		2
51	183-182	Roll Pin		2
52	5102-14029	Bearing		2
53	184-108	Flat Washer		2
54	181-406	E-Ring		2
55	6901-02016	Arm		2
56	117-510	Screw		4
57	CP18-64	Thumb Screw		4
58	6901-02012	Spreader		1
59	H11-29-3	Bracket		2
60	H11-27-1C-3	Front Blower Nozzle		2
61	5101-02022	Roller		2
62	6801-05032	Spreader		1
63	125-655	Screw		4
64	H11-25-3	Flat Spring		4
65	6901-05046	Sheet Separator Bracket		4
66	6901-02031	Guide Roller Plate		12
67	6801-02020	Guide Roller Arm		4
68	5101-02030	Pin		6
69	181-404	E-Ring		12
70	C-216A-01	Nut		12

W1072



W1073



RS34	RS34L	VS34	VS34L
W106 • W104	W106 • W104	○	○

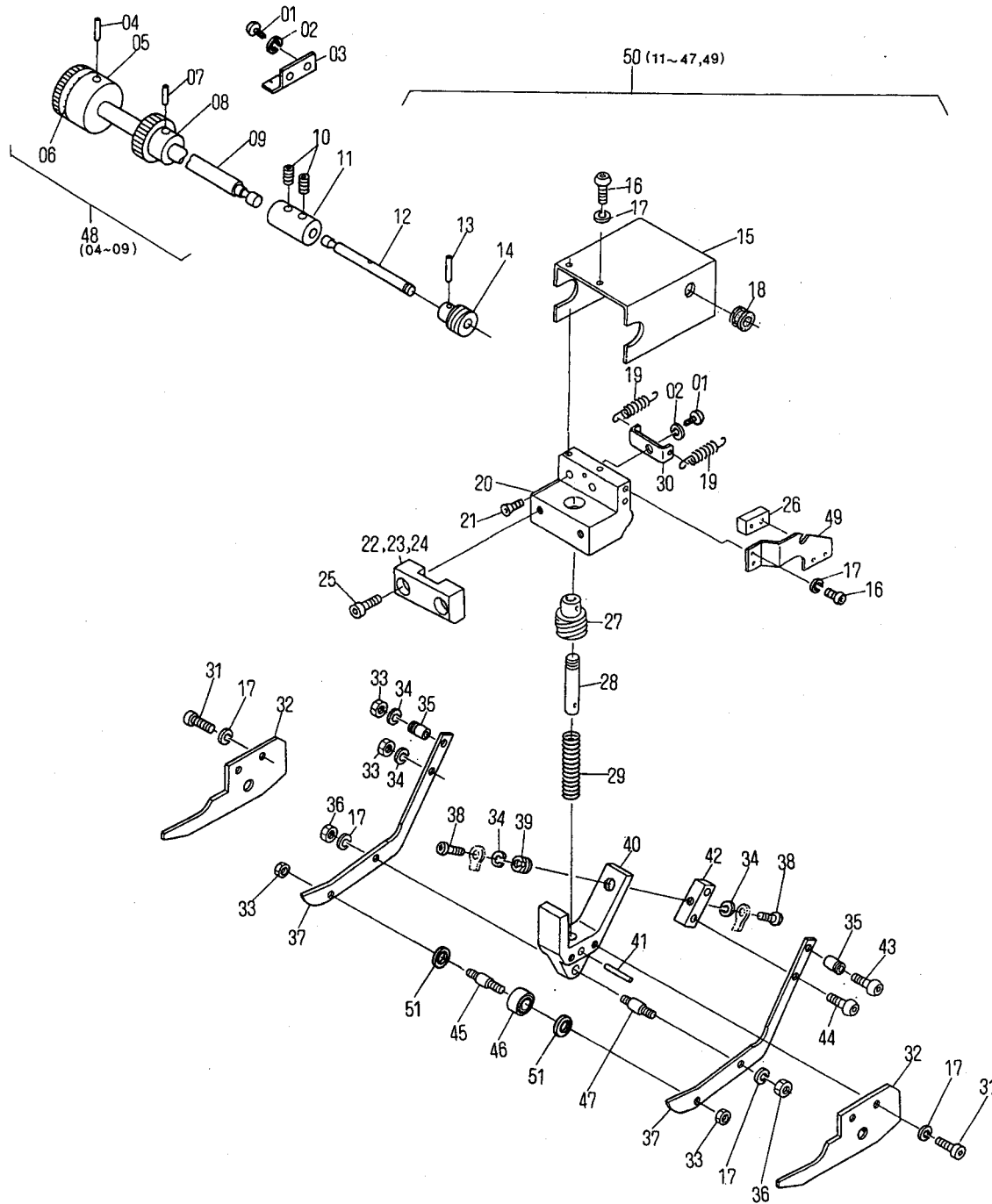
**Feed Section
Feed Roller and Sprocket**

W1073

A

INDEX No.	Parts No.	Description	Remarks	Units Per Assy
01	117-578	Screw		2
02	180-105	Lock Washer		3
03	6901-02026	Block		2
04	181-012	C-Ring		2
05	250-201.8	Bearing		4
06	117-465	Screw		1
07	117-480	Screw		1
08	180-108	Lock Washer		2
09	125-658	Screw		4
10	180-104	Lock Washer		4
11	6901-02006	Guide Plate		1
12	6801-02008	Bracket		2
13	6801-10013	Shaft		1
14	6901-02037	Lower Pull Out Roller		1
15	6901-02038	Forward Roller		1
16	181-012	C-Ring		2
17	6902-05007	Spacer		1
18	250-201.6	Bearing		2
19	6901-01001	Bracket		2
20	170-108	Nut		4
21	6902-05073	Lower Feed Roller		1
22	180-106	Lock Washer		1
23	117-365	Screw		1
24	6901-02039	Collar		2
25	145-356	Set Screw		2
26	6801-02012	Sprocket		1
27	6901-02046	Chain		1
28	6801-02013	Sprocket		1
29	CK02-15	Sprocket		1
30	6902-05032	Sprocket		1
31	183-187	Roll Pin		1
32	6902-14049	Chain		1
33	6901-02044	Pin		1
34	CK02-90A	Sprocket		1
35	170-105	Nut		1
36	6901-02043	Block		1
37	6901-02028	Bracket		1
38	184-106	Flat Washer		2
39	101-382	Screw		2
40	170-106	Nut		1
41	6901-07016	Bracket		1
42	117-362	Screw		2
43	182-193	Taper Pin		1
44	6901-07009	Flange		1
45	6901-07008	Sprocket		1
46	6901-05012	Chain		1
47	6901-07018	Pin		1
48	181-010	C-Ring		1
49	250-000.6	Bearing		1
50	6801-05073	Idle Sprocket		1
51	181-404	E-Ring		1
52	6901-07010	Plate		1
53	117-510	Screw		1
54	6901-07019	Cover		1
55	CK02-07	Gear		1
56	183-187	Roll Pin		1
57	6902-05073A	Lower Feed Roller Assy		1
58				
59				
60				
61				
62				
63				
64				
65				
66				
67				
68				
69				
70				

W1074



RS34	RS34L	VS34	VS34L
W1007	W1007	○	○

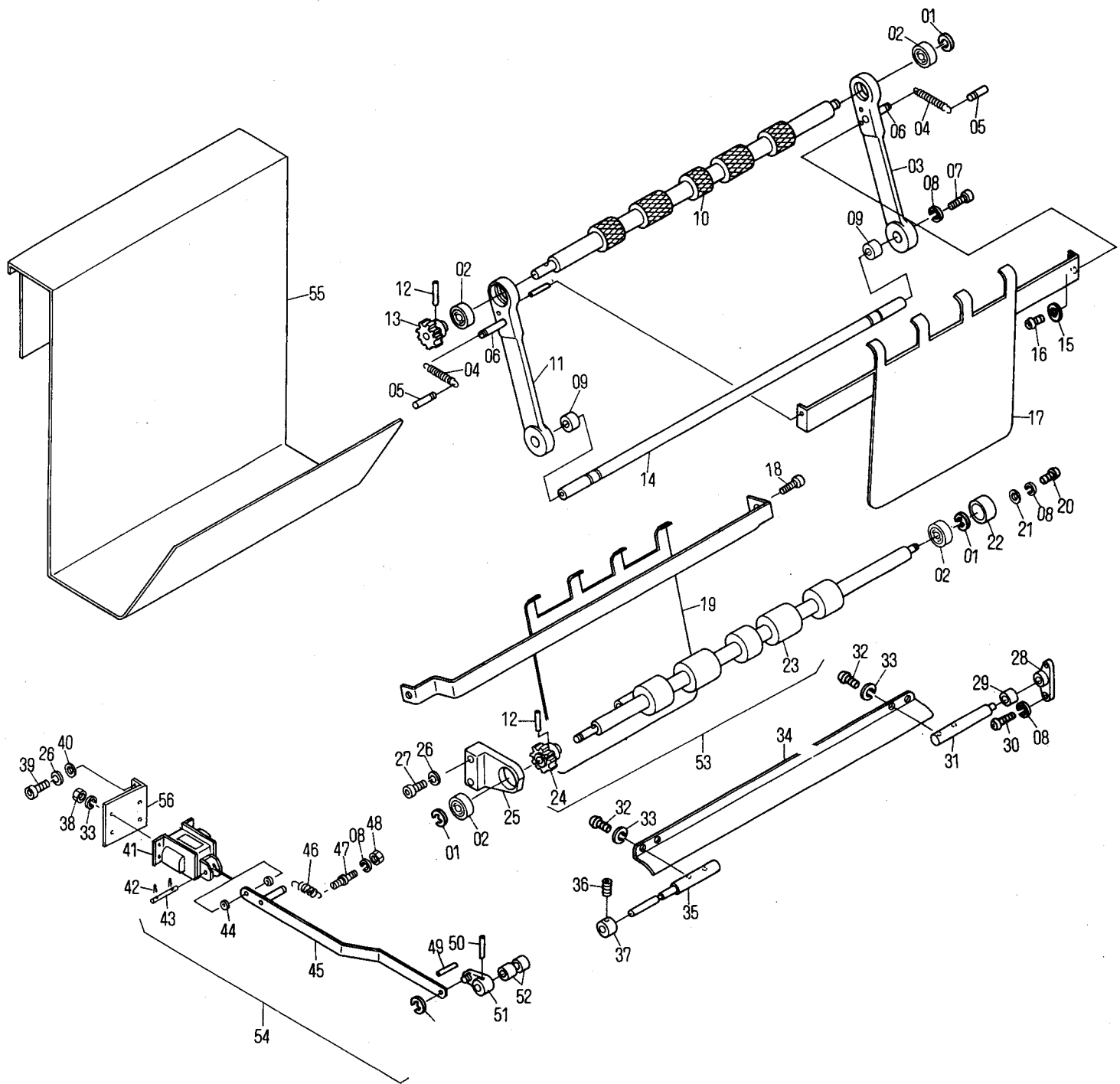
**Feed Section
Double Sheet Detector**

W1074

A

INDEX No.	Parts No.	Description	Remarks	Units Per Assy
01	125-708	Screw		3
02	180-105	Lock Washer		3
03	CK10-19	Stop Spring		1
04	183-188	Roll Pin		1
05	CK10-16A	Knob		1
06	CK10-25	Scale	Included in 05	1
07	183-183	Roll Pin		1
08	CK10-18	Stopper		1
09	6901-04003	Detector Shaft		1
10	145-505	Set Screw		2
11	CK10-23	Coupling		1
12	CK10-14	Adjustment Pin		1
13	183-150	Roll Pin		1
14	CK10-13	Gear		1
15	6901-04002A	Cover		1
16	125-658	Screw		4
17	180-104	Lock Washer		10
18	X05-70-3	Guard	Included in 15	1
19	H03-20-3	Spring		2
20	CK10-01	Detector Frame		1
21	122-125	Screw		2
22	CK10-31	Block	(Thin)	1
23	CK10-32	Block	(Middle)	1
24	CK10-33	Block	(Thick)	1
25	117-512	Screw		2
26	E26-74-3	Photo-cell		1
27	CK10-12	Gear		1
28	CK10-15	Adjustment Pin		1
29	CK10-17	Spring		1
30	CK10-26	Spring Hook		1
31	117-410	Screw		4
32	CK10-05	Detector Side Plate		2
33	170-103	Nut		3
34	180-103	Lock Washer		4
35	CK10-27	Spring Hook		2
36	170-104	Nut		2
37	CK10-06	Detector Side Guide		2
38	CK10-10	Screw		2
39	CK10-08	Bushing		1
40	CK10-03	Sensing Foot Bracket		1
41	183-168	Roll Pin		1
42	CK10-07	Spot Base		1
43	125-630	Screw		1
44	125-615	Screw		1
45	CK10-11	Detector Side Frame Spreader		1
46	250-085.6	Bearing		1
47	CK10-09	Fulcrum Pin		1
48	6901-04003A	Detector Shaft Assy	(04-09)	1
49	6901-04001	Plate		1
50	6901-04001A	Detector Assy	(11-47, 49)	1
51	F46-10-3	Washer		2
52				
53				
54				
55				
56				
57				
58				
59				
60				
61				
62				
63				
64				
65				
66				
67				
68				
69				
70				

W1075



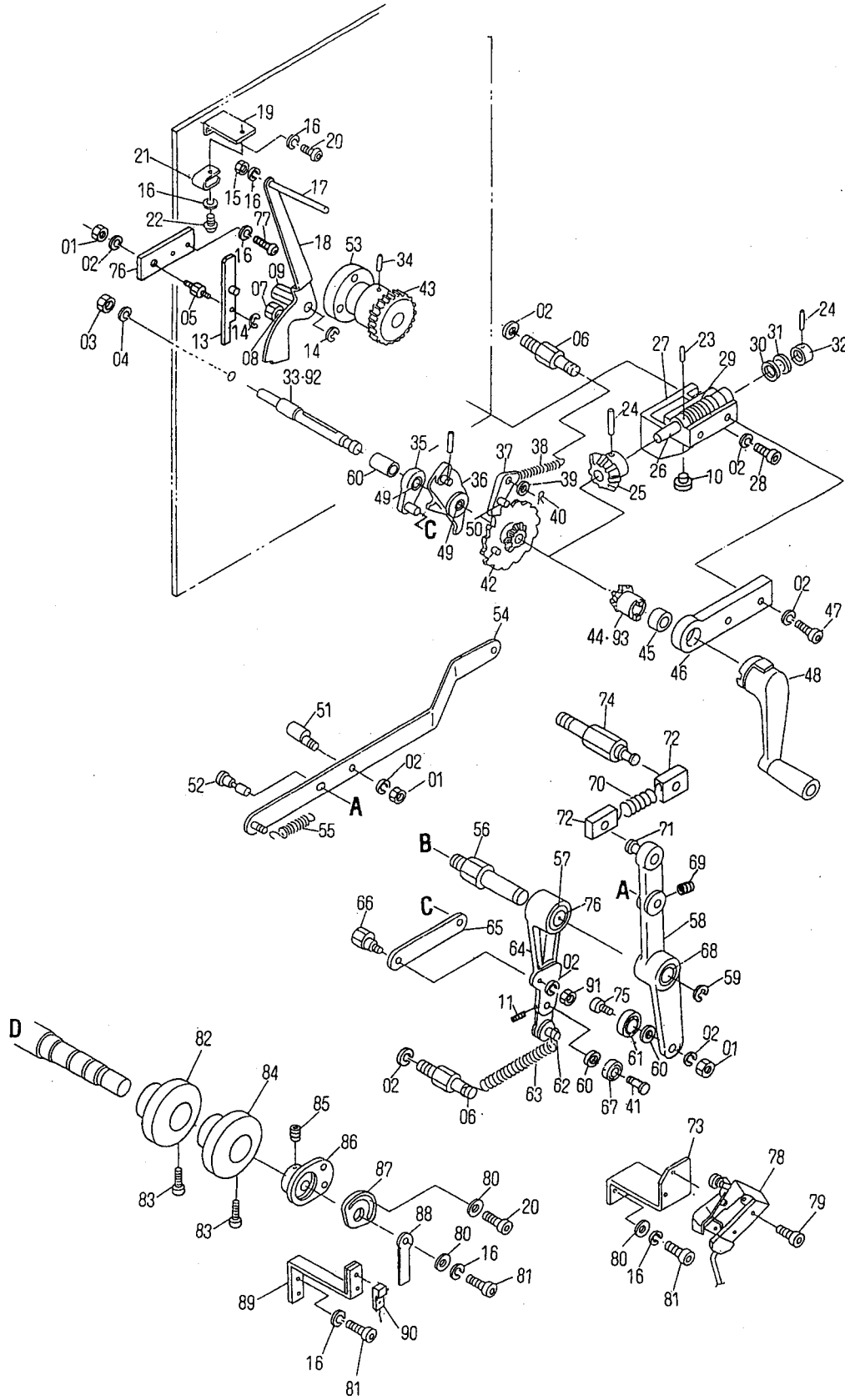
RS34	RS34L	VS34	VS34L
W1007	W1007	○	○

**Feed Section
Paper Deflector**

W1075

A

INDEX No.	Parts No.	Description	Remarks	Units Per Assy
01	181-008	E-Ring		2
02	250-108.6	Bearing		4
03	CK03-10A	Paper Deflector Roller Bracket	OP-S	1
04	G05-32-3	Spring		2
05	223-0620	Pin		2
06	223-0640.01	Pin		2
07	117-525	Screw		2
08	180-105	Lock Washer		3
09	243-612	Bushing		2
10	6901-03009	Paper Deflector Roller B		1
11	CK03-11A	Paper Deflector Roller Bracket	NOP-S	1
12	183-186	Roll Pin		2
13	CK03-09	Paper Deflector Roller Drive Gear		1
14	6901-03004	Shaft		1
15	184-104	Flat Washer		1
16	125-662	Screw		4
17	6901-03006	Paper Deflector Guide Plate		1
18	117-520	Screw		2
19	6901-03005	Paper Deflector Guide Plate		1
20	125-710	Screw		2
21	184-105	Flat Washer		2
22	6901-03010	Spacer		1
23	6901-03008	Paper Deflector Roller A		1
24	CK03-08	Paper Deflector Roller Drive Gear		1
25	CK03-06	Deflector Roller Bracket		1
26	180-106	Lock Washer		2
27	117-375	Screw		2
28	6901-03016	Bracket		1
29	243-606	Bushing		1
30	125-712	Screw		2
31	6901-03012	Paper Deflector Guide Plate Shaft	OP-S	1
32	125-658	Screw		4
33	180-104	Lock Washer		4
34	6901-03007	Paper Deflector Guide Plate		1
35	6901-03013	Paper Deflector Guide Plate Shaft	NOP-S	1
36	145-505	Set Screw		1
37	185-0810.01	Collar		1
38	125-656	Screw		4
39	117-362	Screw		2
40	184-106	Flat Washer		2
41	E09-60-01-3	Solenoid		1
42	6801-03014	Snap Pin		1
43	6801-03013	Pin		1
44	H03-36-3	Spacer		2
45	6901-03014A	Link		1
46	H05-83-3	Spring		1
47	5104-03022	Pin		1
48	170-105	Nut		1
49	183-205	Roll Pin		1
50	183-168	Roll Pin		1
51	CK03-24A	Paper Deflector Lever		1
52	243-609	Bushing		2
53	6901-03008A	Paper Deflector Roller A Assy	(23, 24)	1
54	6901-03015A	Solenoid Assy	(41-45)	1
55	6901-02042	Double Sheet Receiving Tray		1
56	6901-03015	Bracket		1
57				
58				
59				
60				
61				
62				
63				
64				
65				
66				
67				
68				
69				
70				



RS34	RS34L	VS34	VS34L
W100 - W100	W100 - W100	○	○

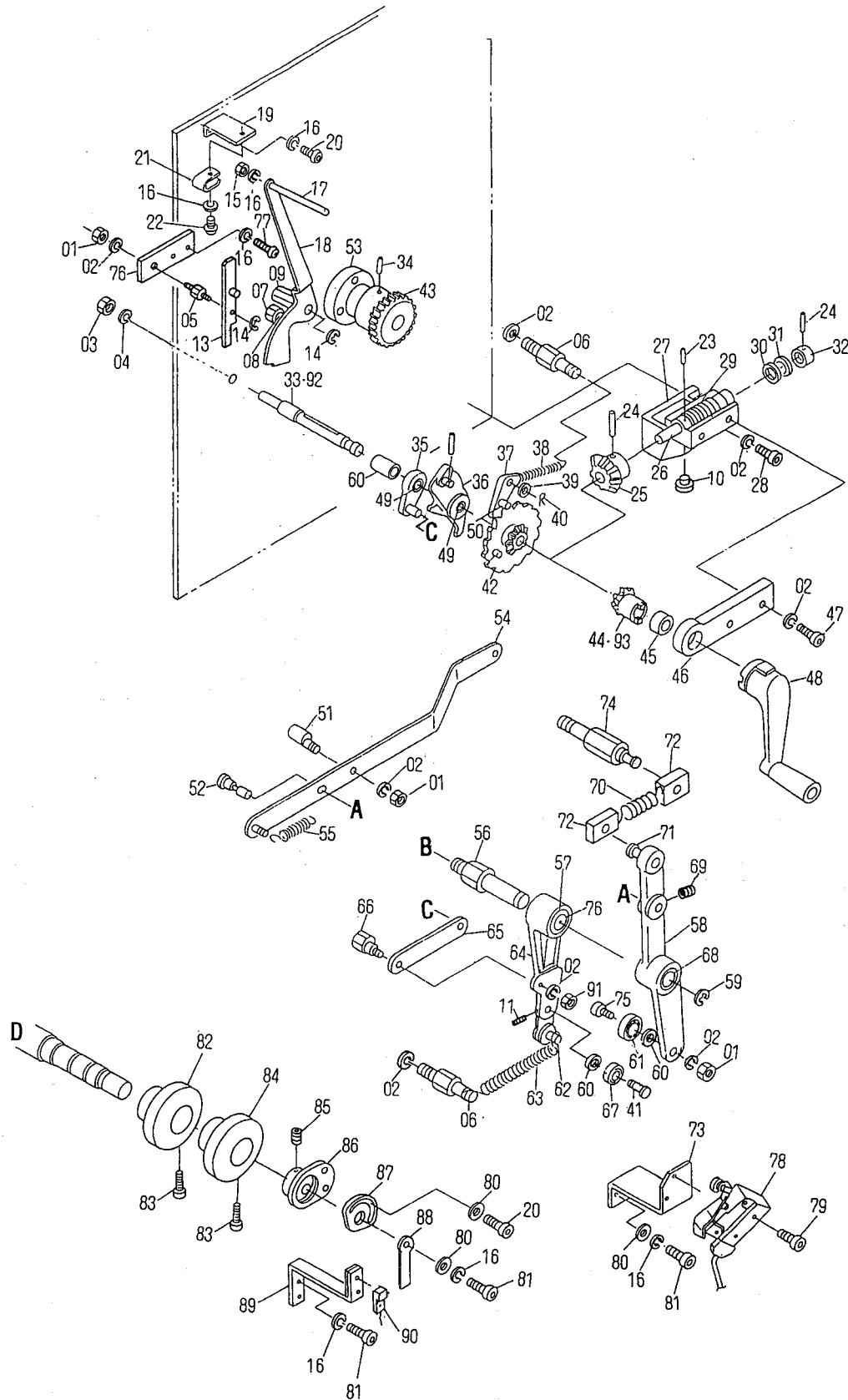
**Feed Section
Paper Elevator Mechanism**

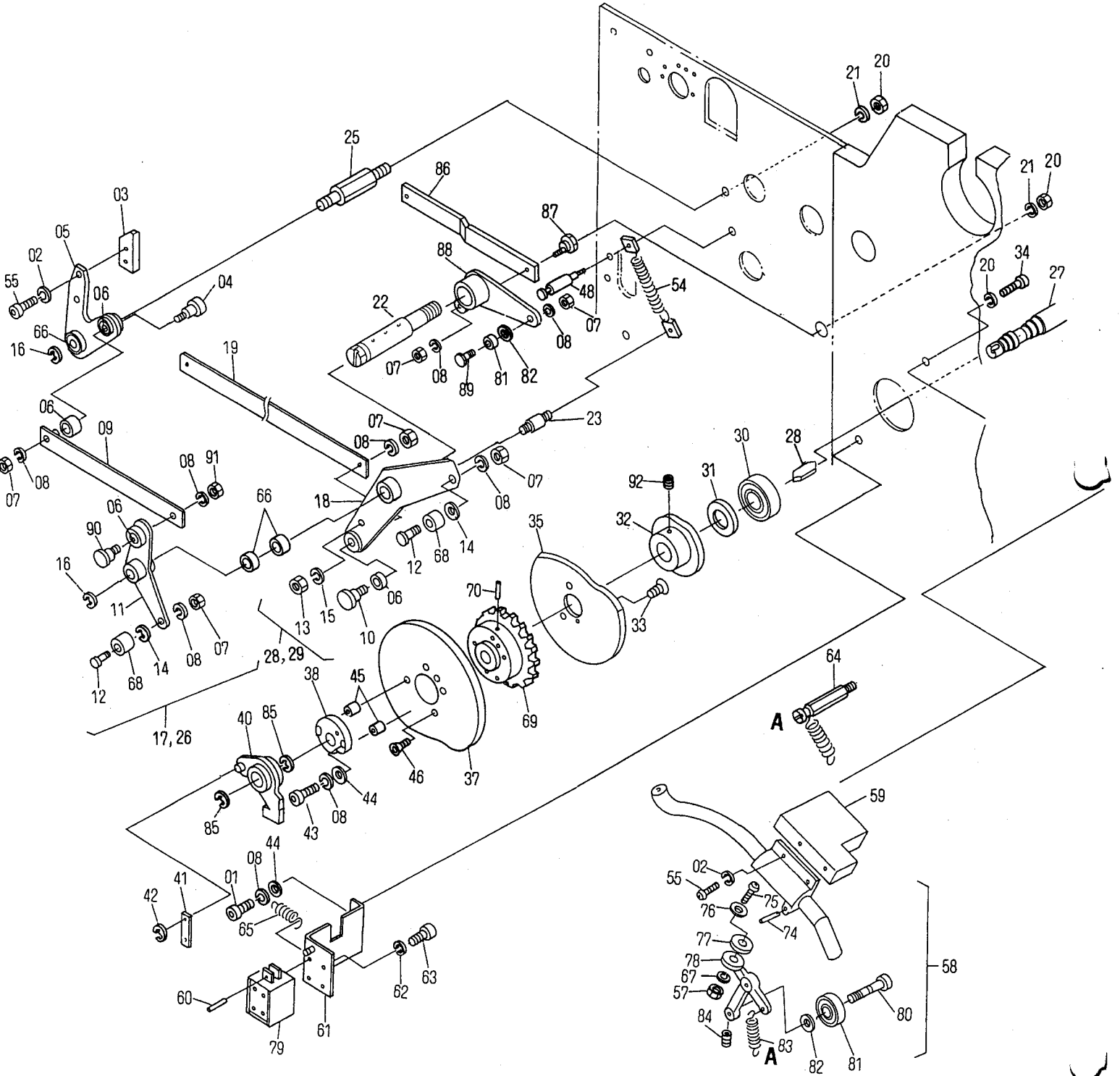
W1076

A

INDEX No.	Parts No.	Description	Remarks	Units Per Assy
01	170-106	Nut		7
02	180-106	Lock Washer		15
03	170-112	Nut		2
04	180-112	Lock Washer		2
05	6901-08003	Pin		1
06	6801-08060	Spring Pin		3
07	6801-08057	Pin		1
08	H08-33-3	Bumper		1
09	6801-08059	Pin		1
10	CK04-37	Cap		1
11	141-406	Set Screw		1
12	H08-28-3	Spring		1
13	CK04-20A	Detent Pawl		1
14	181-404	E-Ring		2
15	170-105	Nut		1
16	180-105	Lock Washer		6
17	A02-31-01-3	Handle		1
18	6801-08082A	Release Lever		1
19	5101-08052	Bracket		1
20	117-510	Screw		2
21	CK04-34	Flat Spring		1
22	117-508	Screw		1
23	183-203	Roll Pin		1
24	183-207	Roll Pin		2
25	CK04-07	Bevel Gear		1
26	6801-08068	Shaft		1
27	6801-08047	Bracket		1
28	117-370	Screw		3
29	6801-08104	Worm Gear		1
30	258-351.1	Bearing		1
31	258-351	Bearing		1
32	CK04-10	Collar		1
33	6901-08005	Stud Pin		1
34	182-171	Taper Pin		1
35	6801-08067B	Drive Link Guide Arm		1
36	6801-08045A	Drive Lever		1
37	H08-18-3	Drive Pawl		1
38	6801-08115	Spring		1
39	6901-08011	Spacer		1
40	183-745	Catter Pin		1
41	6901-08020	Pin	Included in 64	1
42	6801-08087A	Combination Gear		1
43	6801-08105	Worm Wheel		1
44	6901-08006	Bevel Gear		1
45	243-645	Bushing	Included in 46	1
46	6801-08053A	Bracket		1
47	117-365	Screw		2
48	6904-05012A	Crank Handle		1
49	6801-08117	Bushing	Included in 35, 36	1
50	183-225	Roll Pin		1
51	6901-06027	Eccentric Pin		1
52	6801-06016	Pin		1
53	6801-08065	Collar		1
54	6801-06004A	Height Control Drive Lever		1
55	6801-06024	Spring		1
56	6901-08002	Stud Pin		1
57	5201-05073	Bushing	Included in 64	1
58	6801-06003B	Lever		1
59	181-412	E-Ring		1
60	184-106.3	Flat Washer	Included in 58	1
61	250-108.6	Bearing	Included in 58	1
62	R11-94-3	Pin	Included in 64	
63	KC04-25	Spring		1
64	6901-08021A	Lever		1
65	6901-08019	Link		1
66	6801-08099	Eccentric Pin		1
67	258-611.3	Bearing	Included in 64	1
68	A17-18-3	Bushing	Included in 58	1
69	145-508	Set Screw		1
70	CM11-02A	Spring		1

W1076





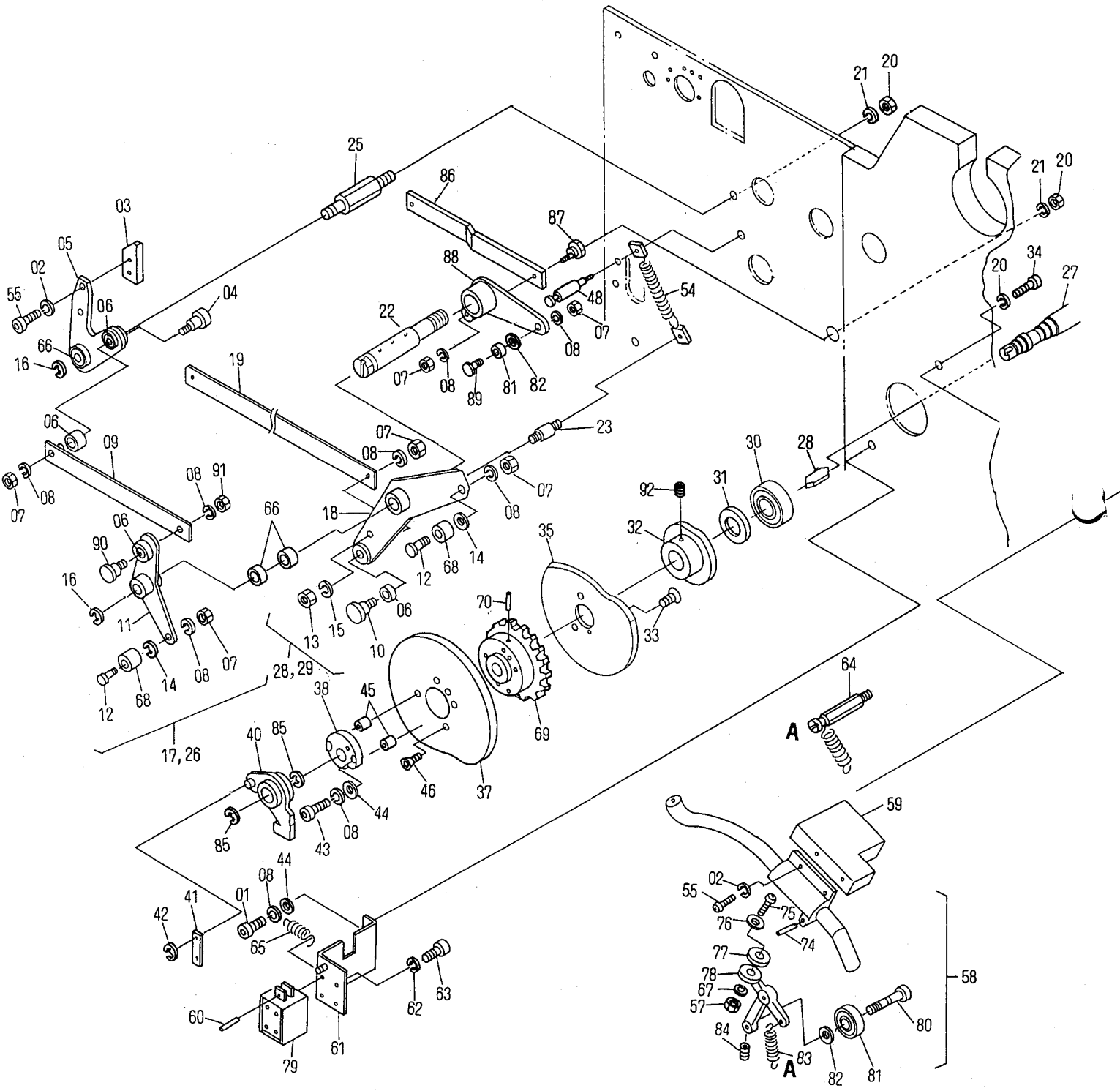
RS34	RS34L	VS34	VS34L
W1010	W1010	○	○

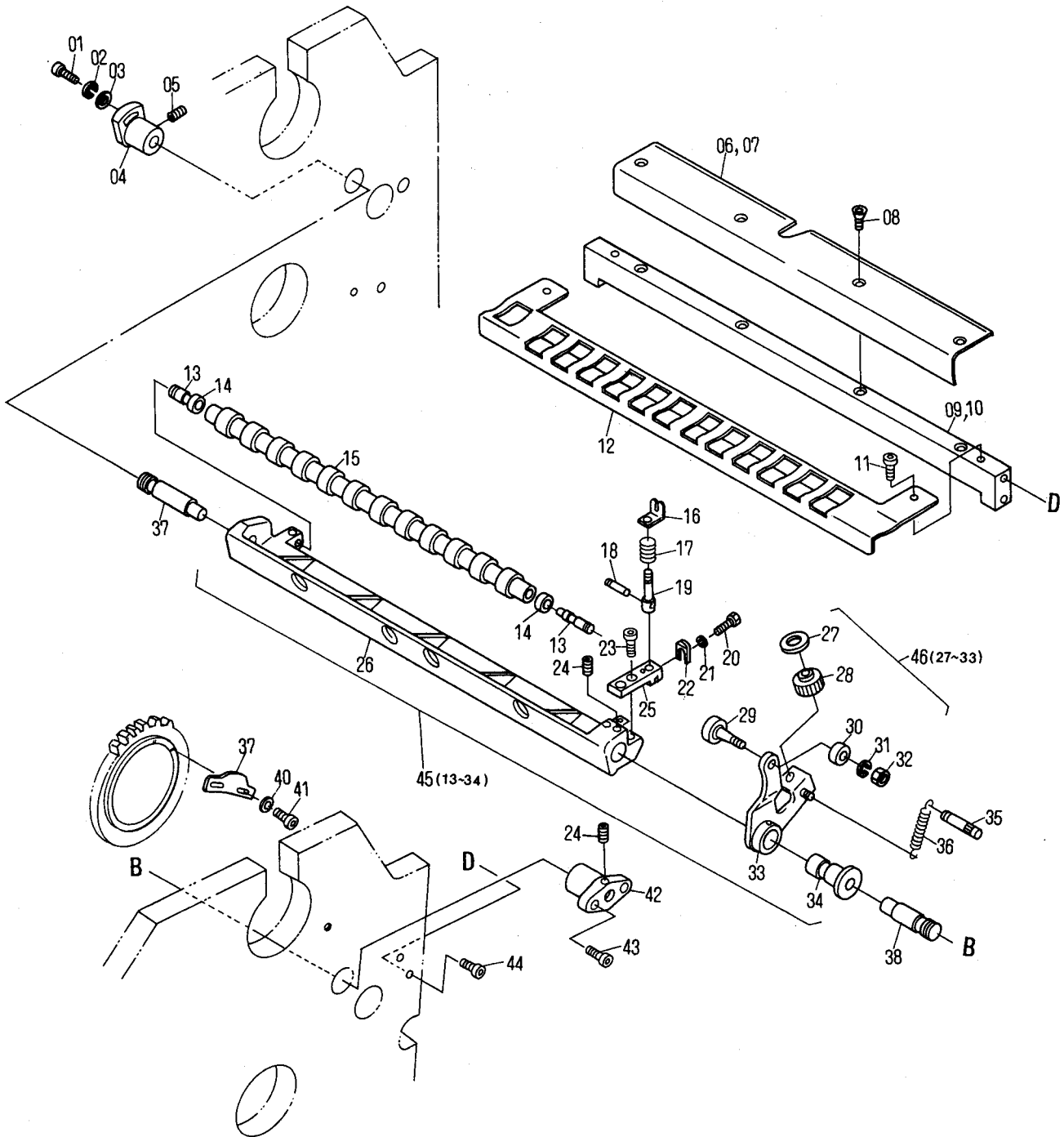
**Feed Section
Suction Valve and Cam**

W1077

A

INDEX No.	Parts No.	Description	Remarks	Units Per Assy
01	117-362	Screw		2
02	180-105	Lock Washer		11
03	CK08-61	Cam		1
04	CK08-09	Eccentric Pin		1
05	6801-05006A	Lever		1
06	CK08-57	Bushing	Included in 05, 11, 18	3
07	170-106	Nut		7
08	180-106	Lock Washer		13
09	6801-05022	Link		1
10	CK08-16	Pin		2
11	6901-05047A	Lever		1
12	CK08-06	Pin	Included in 11	2
13	170-108	Nut		3
14	184-106.3	Flat Washer		2
15	180-108	Lock Washer		3
16	181-412	E-Ring		2
17	6901-05047B	Lever Assy	(11, 12, 66, 68)	
18	6901-05048A	Lever		1
19	6801-05023	Link		1
20	170-112	Nut		2
21	180-112	Lock Washer		2
22	6901-02015	Stud Pin		1
23	6801-05068	Spring Pin		1
24	117-365	Screw		2
25	6801-05014	Stud Pin		1
26	6901-05047C	Lever Assy	(09, 17, 90)	
27	6901-05004	Shaft		1
28	6901-05048B	Lever Assy	(06, 12, 18, 23, 66, 68)	
29	6901-05048C	Lever Assy	(10, 19, 28)	
30	250-204.8	Bearing		1
31	6901-02014	Spacer		1
32	6901-02013	Cam		1
33	122-160	Screw		2
34	117-515	Screw		5
35	6901-05051	Cam		1
37	6901-05052	Cam		1
38	6801-05012	Cam		1
39				
40	5101-05034A	Bracket		1
41	6901-05022	Connecting Link		1
42	181-404	E-Ring		1
43	117-368	Screw		2
44	184-106	Flat Washer		4
45	A03-22-3	Spacer		3
46	122-160	Screw		2
48	6801-05069	Spring Pin		1
54	CM11-02A	Spring Assy		1
55	125-715	Screw		4
57	170-104	Nut		1
58	6901-05023A	Valve Lever Assy	(74-78, 80-82)	1
59	6901-05008	Block		1
60	183-182	Roll Pin		2
61	6901-05007	Bracket		1
62	180-103	Lock Washer		4
63	117-308	Screw		4
64	5203-09053	Pin		1
65	X52-97-3	Spring		1
66	5201-05073	Bushing	Included in 05, 11, 18	3
67	180-104	Lock Washer		1
68	258-631.1	Roller Follower	Included in 11	2
69	6901-07007	Sprocket		1
70	182-193	Taper Pin		1





RS34	RS34L	VS34	VS34L
W1020	W1020	○	○

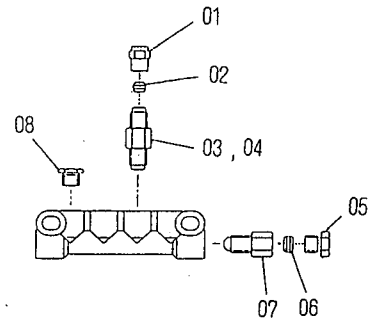
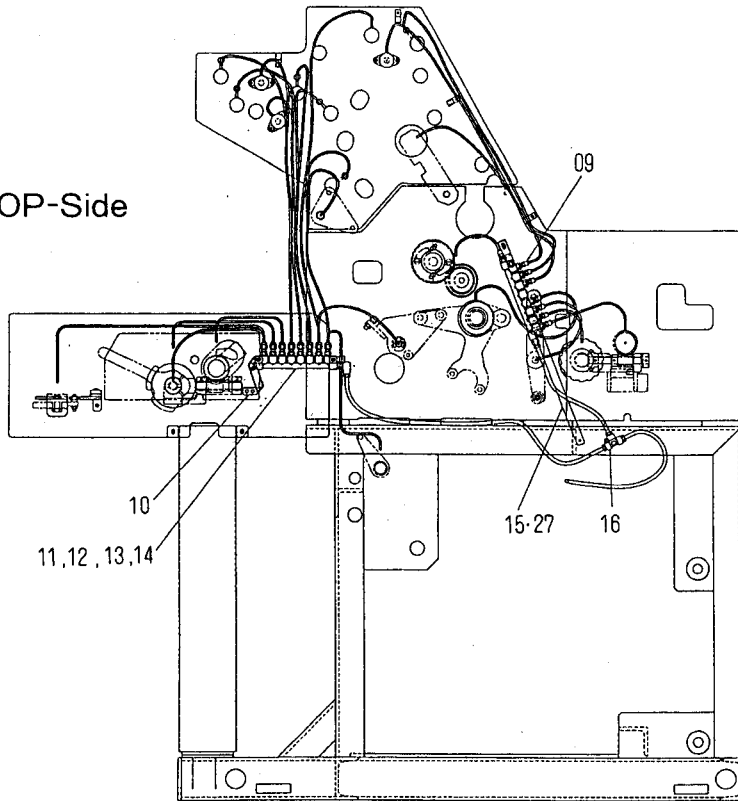
**Feed Section
Upper Feed Roller (VS34 / VS34L)**

W1078

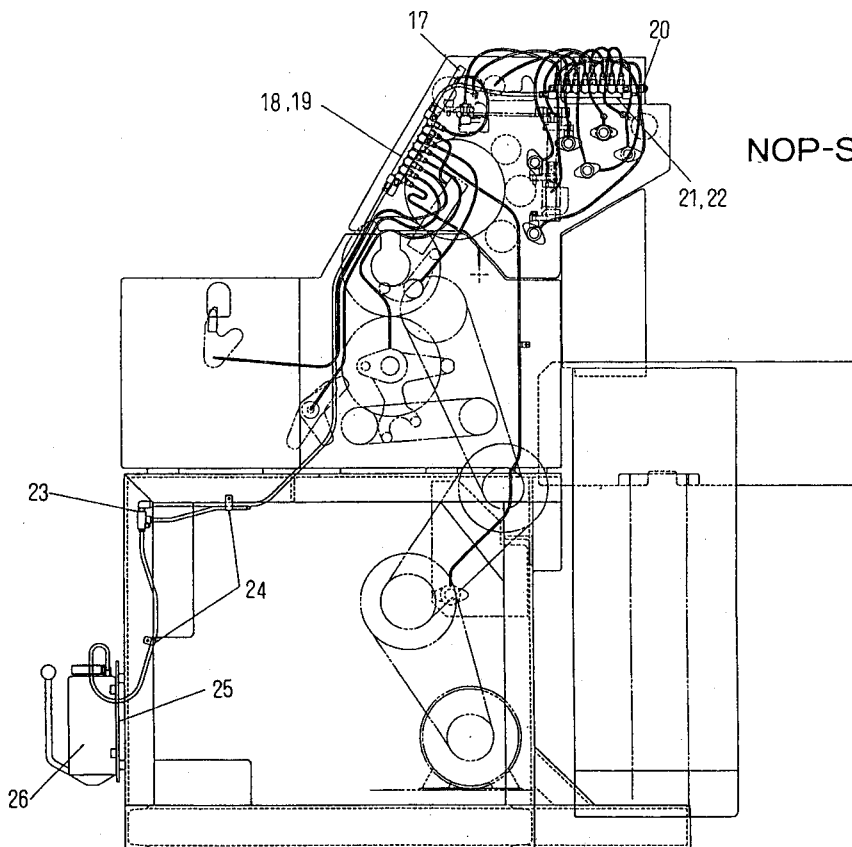
A

INDEX No.	Parts No.	Description	Remarks	Units Per Assy
01	117-520	Screw		1
02	180-105	Lock Washer		1
03	184-105	Flat Washer		1
04	6902-05045	Eccentric Bushing		1
05	184-105	Set Screw		1
06	6901-03003	Guide Plate	Old Type	1
07	6901-03019	Guide Plate	New Type	1
08	122-110	Screw		4
09	6901-03011	Spreader	Old Type	1
10	6901-03018	Spreader	New Type	1
11	117-510	Screw		2
12	6901-03002	Paper Feed Plate		1
13	M04-05-01-3	Upper Feed Roller Pilot Pin		2
14	250-104.6	Bearing	Included in 15	2
15	6902-05034	Upper Feed Roller		1
16	6902-05081	Flat Spring		1
17	6902-05071	Spring		1
18	183-181	Roll Pin		1
19	6902-05082	Adjustment Screw		1
20	101-506	Screw		1
21	180-405	Washer		1
22	6902-05037	Scale		1
23	117-358	Screw		1
24	145-356	Set Screw		2
25	CK02-87	Bracket		1
26	6902-05001A	Upper Feed Roller Frame		1
27	CK02-65	Scale		1
28	6902-05074	Knob		1
29	258-651.1	Cam Follower		1
30	M54-37-3	Spacer		1
31	180-108	Lock Washer		1
32	170-108	Nut		1
33	6902-05006A	Upper Feed Roller Operating Arm		1
34	6902-05027	Bushing Bracket		1
35	G07-51-1	Pin		1
36	CK02-10	Spring		1
37	6902-05008	Pivot Pin		1
38	6902-05020	Pivot Pin		1
39	6902-05041	Cam		1
40	180-106	Lock Washer		1
41	101-366	Screw		1
42	6902-05026	Bushing		1
43	117-515	Screw		1
44	117-375	Screw		1
45	6902-05001C	Upper Feed Roller Assy	(13-34)	1
46	6902-05006B	Upper Feed Roller Operating Arm Assy	(27-33)	1
47				
48				
49				
50				
51				
52				
53				
54				
55				
56				
57				
58				
59				
60				
61				
62				
63				
64				
65				
66				
67				
68				
69				
70				

OP-Side



NOP-Side



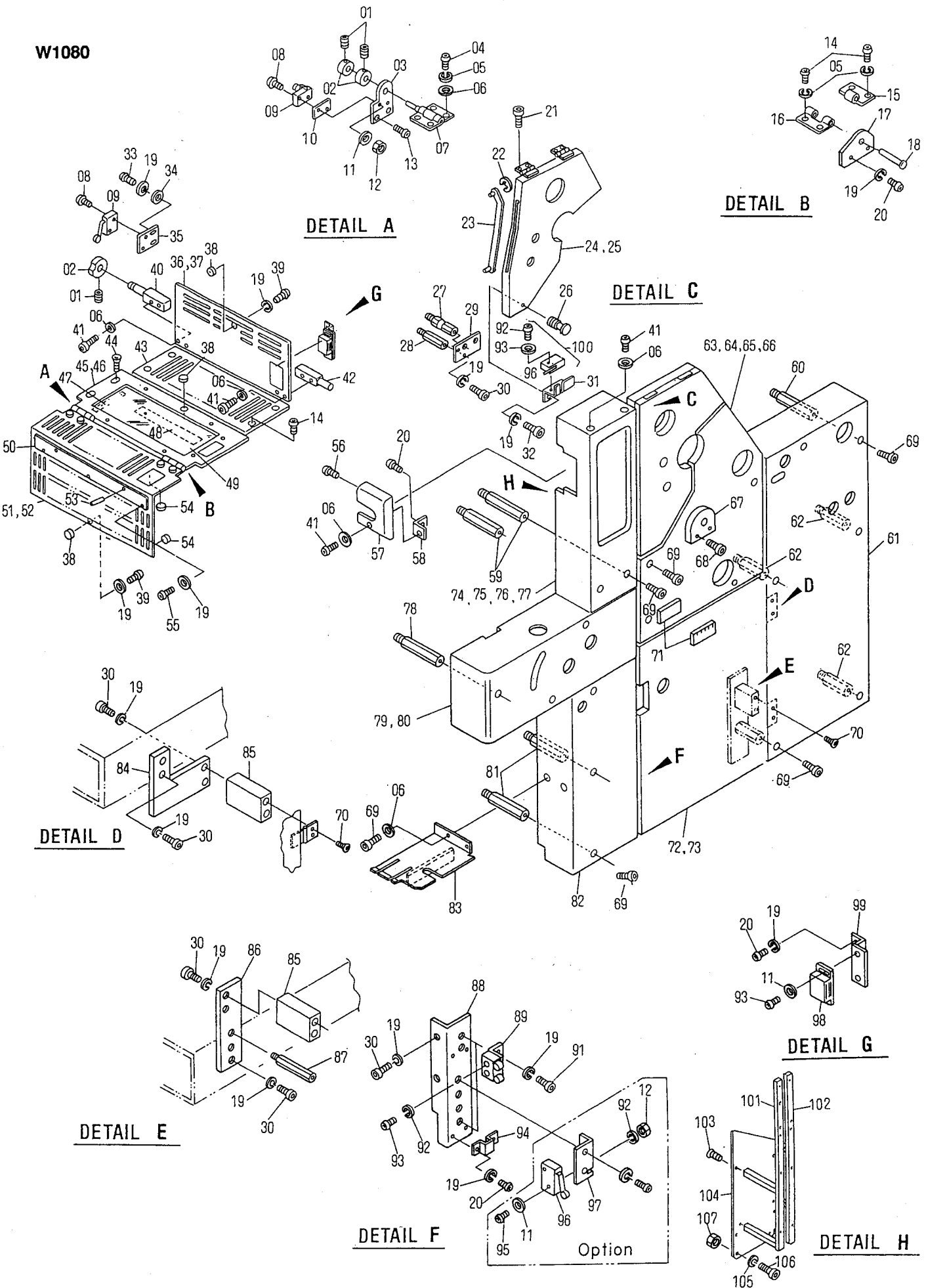
Lubricant Piping

RS34	RS34L	VS34	VS34L
W1854 - W1855	W1854 - W1855	○	○

W1079

INDEX No.	Parts No.	Description	Remarks	Units Per Assy
01	5805-05026	Plug		—
02	5805-05028	Sleeve		—
03	5805-05023	Nipple (Pss) for Hose (3.2ø Nylon)		—
04	5805-05022	Nipple (Pss) for Pipe (3.2ø Copper)		—
05	D-140-13	Plug		—
06	5805-05027	Sleeve		—
07	5805-05029	Nipple		—
08	D-140-18	Plug		—
09	6905-05006A	Oil Pipe Joint Assy		1
10	6905-05023	Bracket		1
11	6905-05009A	Oil Pipe Joint Assy for Two Form Rollers	VS34	1
12	6905-05010A	Oil Pipe Joint Assy for Two Form Rollers	VS34L	1
13	6905-05017A	Oil Pipe Joint Assy for Three Form Rollers	VS34	1
14	6905-05018A	Oil Pipe Joint Assy for Three Form Rollers	VS34L	1
15	6905-05022	Bracket (P=361.5)		1
16	6905-05011A	Oil Pipe Joint Assy		1
17	6905-05021	Bracket		1
18	6905-05002A	Oil Pipe Joint Assy	VS34	1
19	6905-05003A	Oil Pipe Joint Assy	VS34L	1
20	6905-05024	Bracket		1
21	6905-05004A	Oil Pipe Joint Assy for Two Form Rollers		1
22	6905-05005A	Oil Pipe Joint Assy for Three Form Rollers		1
23	6905-05001A	Oil Pipe Joint Assy		1
24	5805-05038	Hook		1
25	6905-05025	Bracket		1
26	5805-05001	Pump		1
27	6905-05036	Bracket (P=351.5)		1
28				
29				
30				
31				
32				
33				
34				
35				
36				
37				
38				
39				
40				
41				
42				
43				
44				
45				
46				
47				
48				
49				
50				
51				
52				
53				
54				
55				
56				
57				
58				
59				
60				
61				
62				
63				
64				
65				
66				
67				
68				
69				
70				

W1080



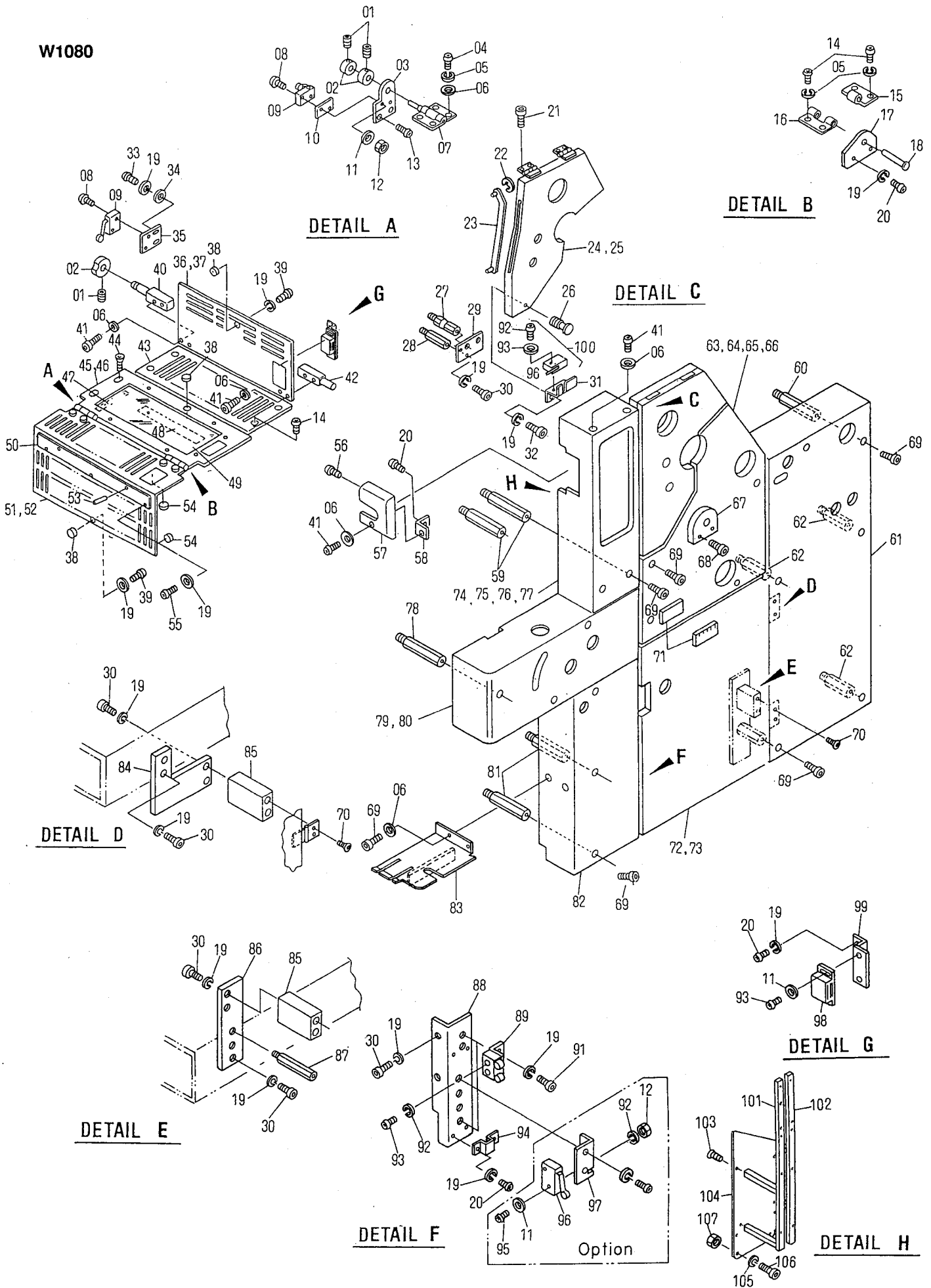
Cover (OP-S)

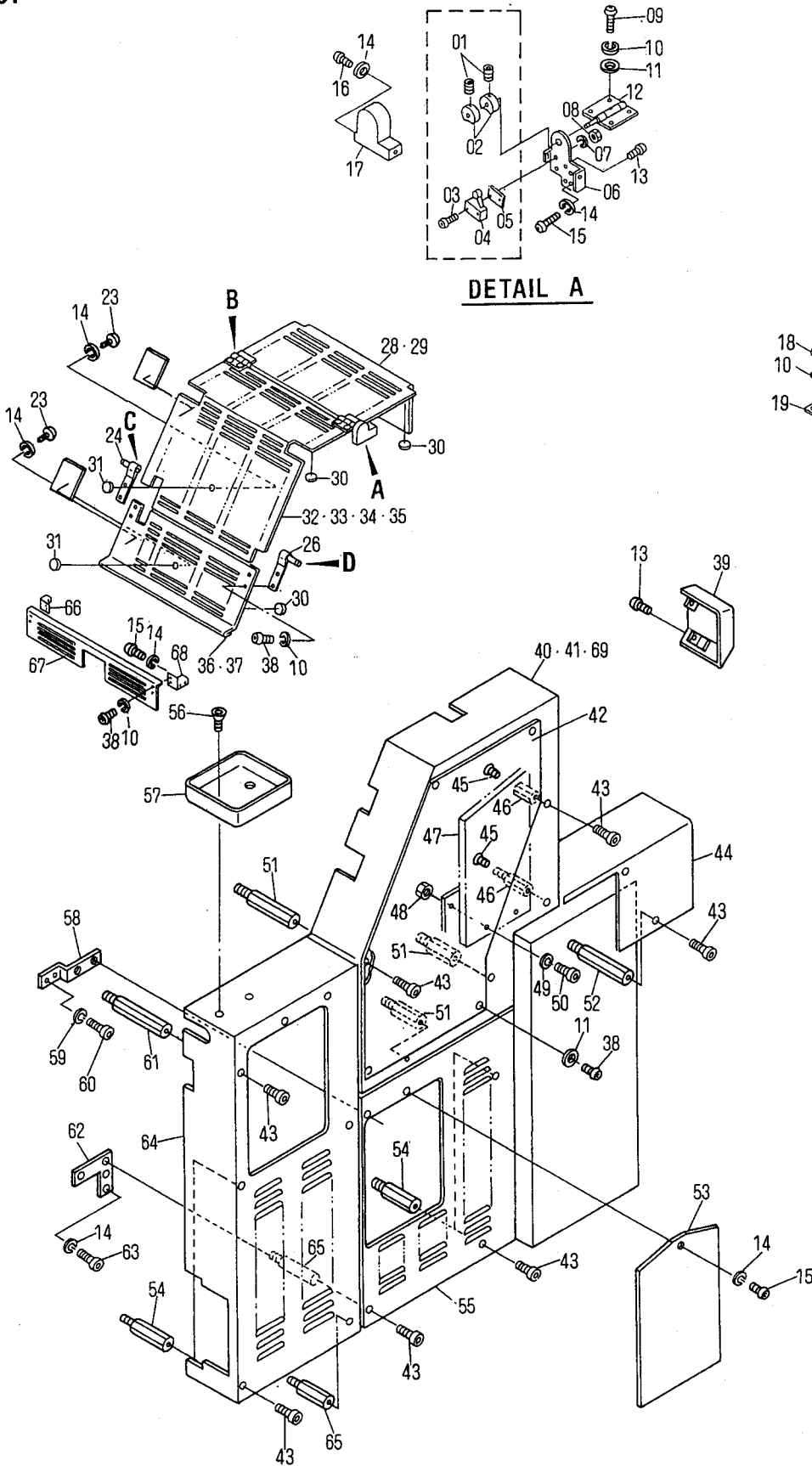
RS34	RS34L	VS34	VS34L
W1056	W1056	○	○

W1080

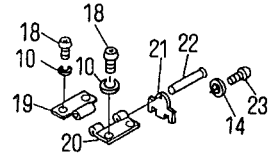
INDEX No.	Parts No.	Description	Remarks	Units Per Assy
01	145-408	Set Screw		3
02	CK13-26	Cam		3
03	5105-02072	Bracket		1
04	125-715.01	Screw		4
05	180-105.01	Lock Washer		6
06	184-105.01	Flat Washer		21
07	CK13-25B	Hinge Assy		1
08	125-615	Screw		2
09	E10-29-3	Safety Switch		1
10	CK13-15	Switch Base		1
11	184-103	Flat Washer		4
12	170-103	Nut		4
13	125-718	Screw		2
14	125-708.01	Screw		8
15	G09-08-3	Hinge		1
16	G09-07-3	Hinge		1
17	6905-08046	Bracket		1
18	G09-09-3	Hinge Pin		1
19	180-105	Lock Washer		22
20	125-710	Screw		3
21	117-310	Screw		4
22	181-403	E-Ring		1
23	6905-02075A	Arm		1
24	6905-02003A	Cover	Molton	1
25	6905-02049A	Cover	Integrated	1
26	5105-02035	Screw		1
27	6905-02123	Stud		1
28	6905-02056	Stud		1
29	6905-02038	Bracket		1
30	117-512	Screw		10
31	6905-02037	Bracket		1
32	117-506	Screw		2
33	125-715	Screw		2
34	184-105	Flat Washer		2
35	5805-02477	Bracket		2
36	6905-08002A	Cover Assy	for Domestic	1
37	6905-08002B	Cover Assy	for Export	1
38	I29-32-3	Knob	Included in 36, 37, 45, 46	3
39	125-712	Screw		3
40	6905-08008	Pin		1
41	125-710.01	Screw		5
42	5805-02478	Pin		1
43	6905-08003	Cover		1
44	122-058	Screw		8
45	6905-08017A	Cover Assy	for Domestic	1
46	6505-08017B	Cover Assy	for Export	1
47	6505-02061	Bracket	Included in 45, 46	2
48	6505-02062	Bracket	Included in 45, 46	2
49	6905-08018	Cover	Included in 45, 46	1
50	6905-08011	Cover Plate	Included in 51, 52	1
51	6905-08010A	Cover Assy	for Domestic	1
52	6905-08010B	Cover Assy	for Export	1
53	183-178	Roll Pin		2
54	CP01-03	Rubber		6
55	125-706	Screw		3
56	125-725	Screw		1
57	6905-02017	Cover		1
58	6905-02053	Bracket		1
59	6905-02063	Stud		2
60	6905-02042	Stud		2
61	6905-02024	Cover		1
62	6905-02040	Stud		3
63	6905-02019B	Cover	Integrated	1
64	6905-02031B	Cover	Molton	1
65	6905-02074B	Cover	for Handwheel Stop System	1
66	6905-02073B	Cover	for Handwheel Stop System	1
67	6905-02070	Cover	for Handwheel Stop System	1
68	117-530.01	Screw		2
69	117-510.01	Screw		22
70	122-110	Screw		4

W1080

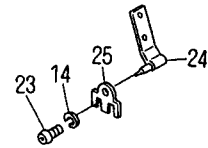




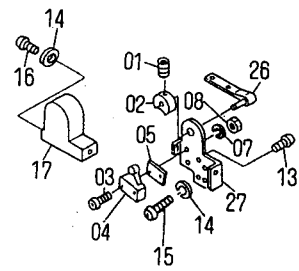
DETAIL A



DETAIL B



DETAIL C



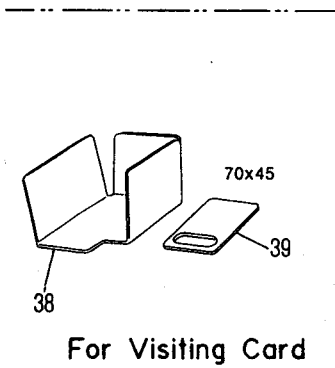
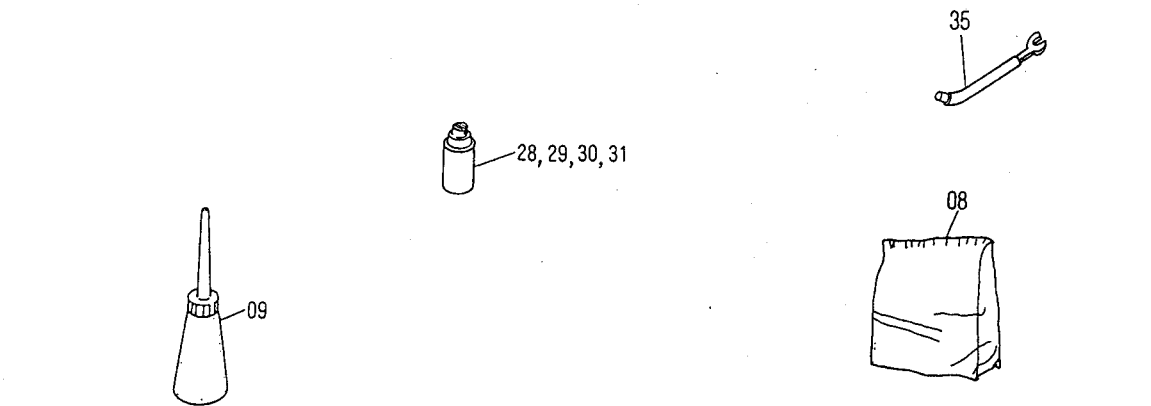
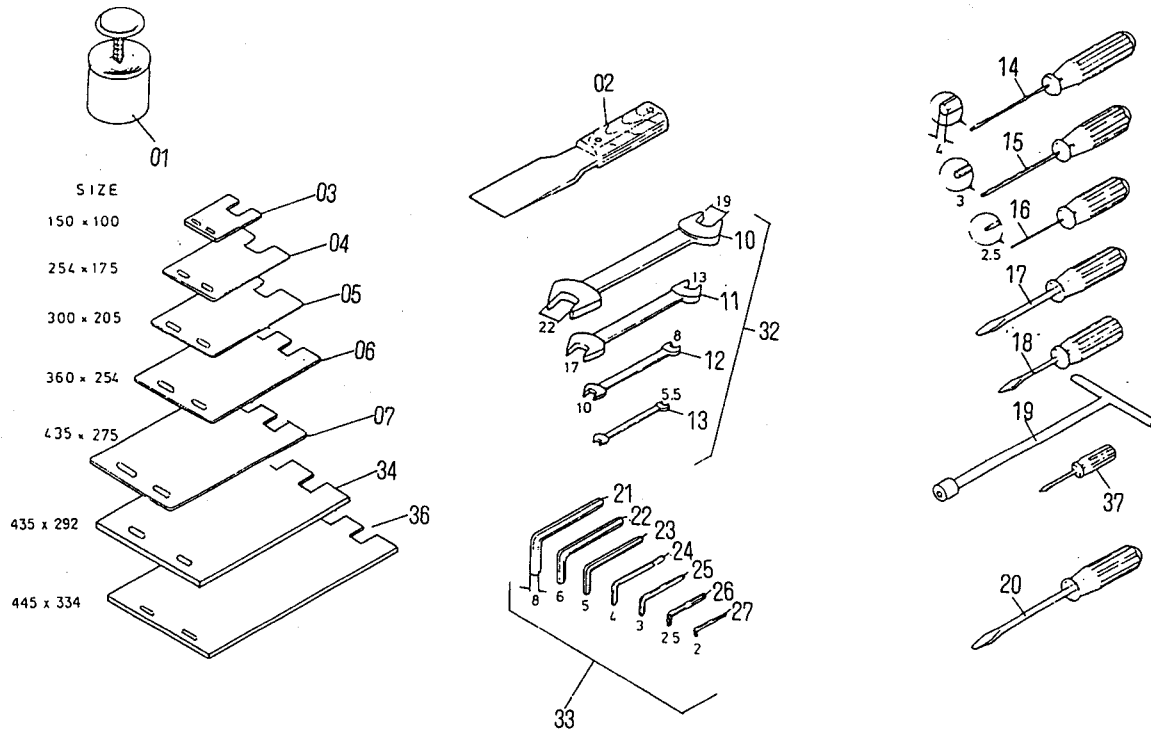
DETAIL D

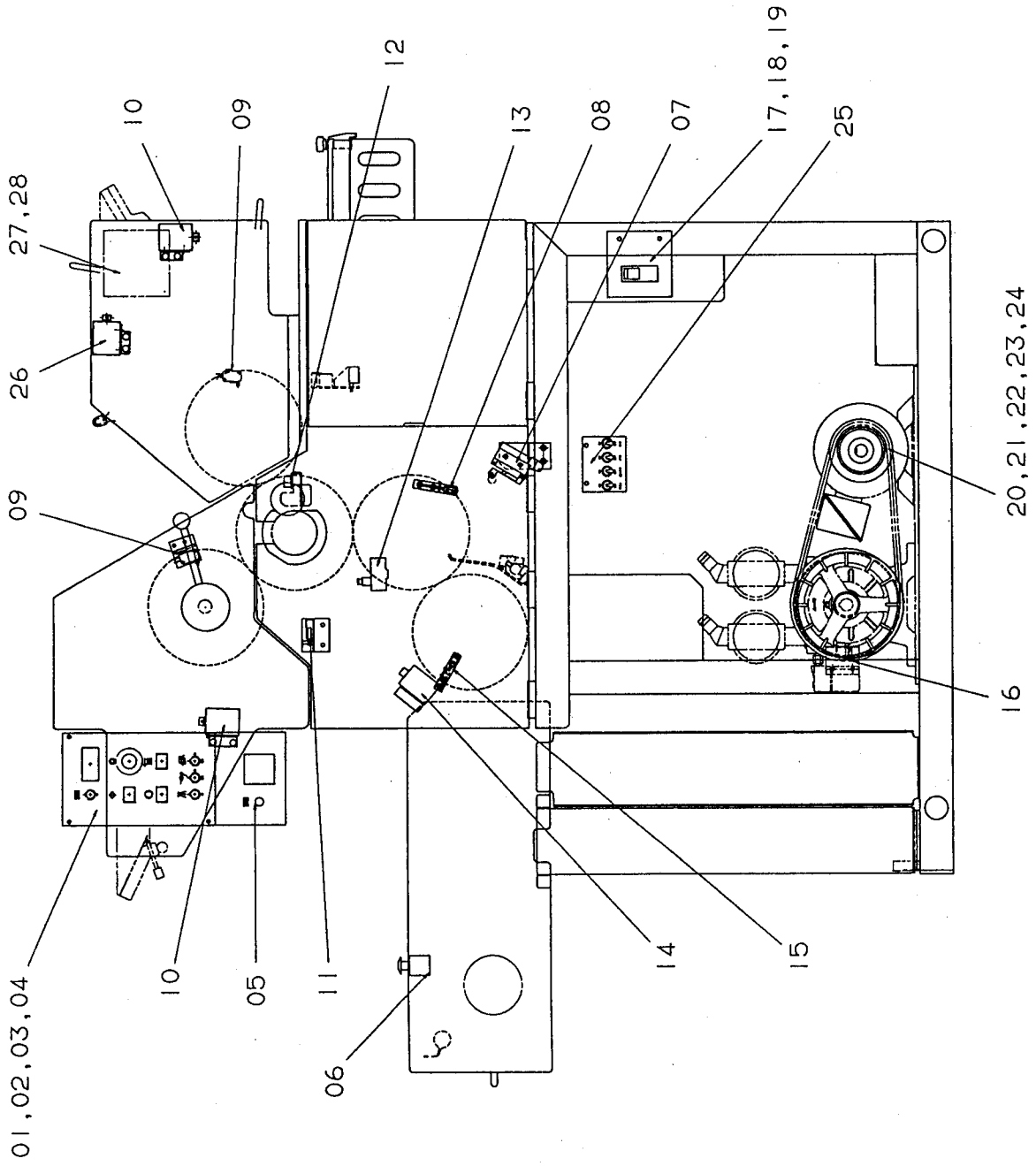
RS34	RS34L	VS34	VS34L
W1057	W1057	○	○

Cover (NOP-S)

W1081

INDEX No.	Parts No.	Description	Remarks	Units Per Assy
01	145-408	Set Screw		2
02	5105-02020	Cam		2
03	125-615	Screw		2
04	E10-29-3	Safety Switch		1
05	CK13-15	Switch Base		1
06	6805-08009	Bracket		1
07	180-103	Lock Washer		2
08	170-103	Nut		2
09	125-715.01	Screw		4
10	180-105.01	Lock Washer		12
11	184-105.01	Flat Washer		8
12	CK13-25B	Hinge Assy		1
13	125-725	Screw		4
14	180-105	Lock Washer		10
15	125-710	Screw		4
16	125-705	Screw		4
17	6805-08010	Cover		2
18	125-708.01	Screw		4
19	G09-08-3	Hinge		1
20	G09-07-3	Hinge		1
21	CK13-21	Bracket		1
22	G09-09-3	Hinge Pin		1
23	125-712	Screw		6
24	6905-08012A	Arm		1
25	CK13-21	Bracket		1
26	6905-08013A	Arm		1
27	6905-08020	Bracket		1
28	6805-08003A	Cover Assy	for Domestic	1
29	6805-08003B	Cover Assy	for Export	1
30	CP01-03	Rubber		6
31	I29-32-3	Knob		2
32	6905-08001A	Cover Assy	Molton, for Domestic	1
33	6905-08001B	Cover Assy	Molton, for Export	1
34	6905-08016A	Cover Assy	Integrated, for Domestic	1
35	6905-08016B	Cover Assy	Integrated, for Export	1
36	6905-08006A	Cover Assy	for Domestic	1
37	6905-08006B	Cover Assy	for Export	1
38	125-710.01	Screw		4
39	6905-02018	Cover		1
40	6905-02039	Cover	Integrated, Old Type	1
41	6905-02028	Cover	Molton	1
42	6905-02030	Cover		1
43	117-510.01	Screw		17
44	6905-02016	Cover		1
45	122-165	Screw		2
46	6905-02048	Stud		2
47	6905-18005	Plate		1
48	170-108	Nut		2
49	180-108	Lock Washer		2
50	117-468	Screw		2
51	6905-02046	Stud		2
52	6905-02050	Stud		2
53	6905-02068	Cover		2
54	6905-02045	Stud		3
55	6905-02027	Cover		1
56	122-106	Screw		2
57	6905-02020	Tray		1
58	6905-02065	Bracket		1
59	180-106	Screw		2
60	117-362	Screw		2
61	6905-02044	Stud		2
62	6905-02067	Bracket		1
63	117-512	Screw		2
64	6905-02026	Cover		1
65	6905-02051	Stud		2
66	6905-08053	Bracket	OP-S	1
67	6905-08052	Cover	for Domestic	1
68	6905-08054	Bracket	NOP-S	1
69	6905-02111	Cover	Integrated, New Type	1
70				





CC

C

CC

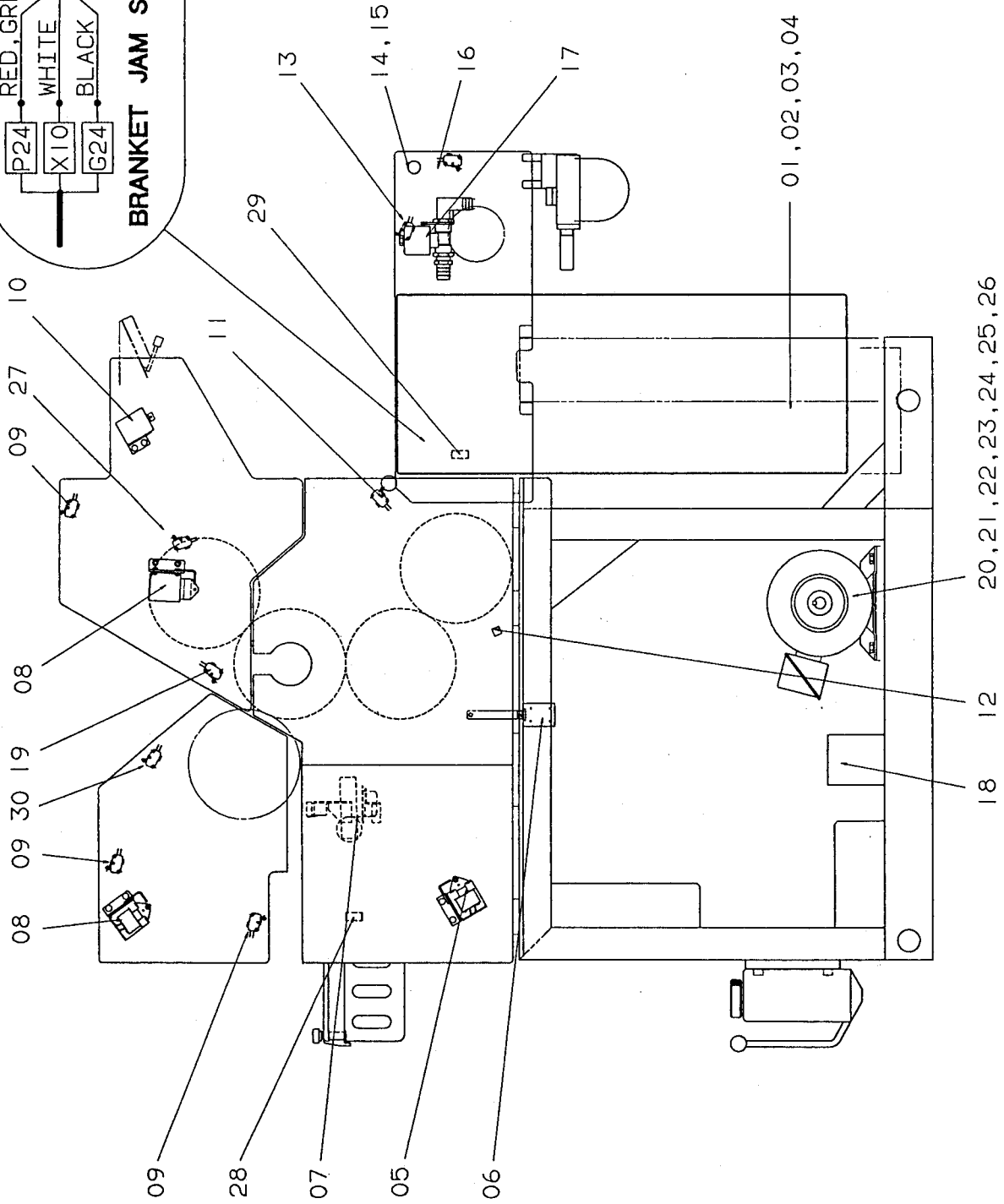
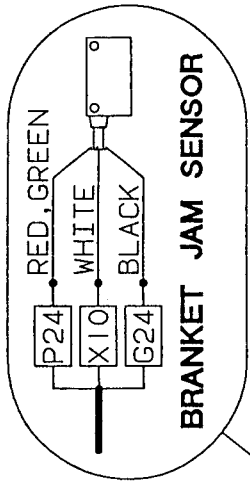
RS34	RS34L	VS34	VS34L
W1065	W1067	○	W1085

VS34
Electric Components (OP-S)

W1083

INDEX No.	Parts No.	Description	Remarks	Units Per Assy
01	E48-09-1A-3	Operation Panel (Main)	Molton, Spray	1
02	E48-09-2A-3	Operation Panel (Main)	Molton	1
03	E48-09-1B-3	Operation Panel (Main)	Integrated, Spray	1
04	E48-09-2B-3	Operation Panel (Main)	Integrated	1
05	E48-10-1A-3	Operation Panel (Preset Counter)		1
06	E13-95-11-3	Stop Switch		1
07	E10-20-3	Limit Switch (Spray Timing)		1
08	E26-75-3	Sensor (B. JAM Timing)		1
09	E10-29-3	Limit Switch (Single Lever)		1
10	E09-25-3	Solenoid (Dampening Ductor)		1
11	E10-30-3	Limit Switch (OP-S Cover)		1
12	E10-29-3	Limit Switch (Vertical Adjust Handle)		1
13	E10-54-3	Limit Switch		1
14	E09-25-3	Solenoid (Impression)		1
15	E26-75-3	Sensor (Impression Timing)		1
16	E10-30-3	Limit Switch (OP-S Cover)		1
17	E02-19-3	Breaker (T200V)		1
18	E02-20-3	Breaker (S200V)		1
19	E02-21-3	Breaker (T380V)		1
20	E01-83-3	Motor (T200V)		1
21	E01-85-3	Motor (S100/200V)		1
22	E01-87-3	Motor (S120/240V)		1
23	E01-89-3	Motor (T380V)		1
24	E01-129-3	Motor (T415V)		1
25	E48-17-1A-3	Operation Panel (Sub)		1
26	E09-25-3	Solenoid (Ink Ductor)		1
27	E48-14-1A-3	Operation Panel	Molton	1
28	E48-14-1B-3	Operation Panel	Integrated	1
29				
30				
31				
32				
33				
34				
35				
36				
37				
38				
39				
40				
41				
42				
43				
44				
45				
46				
47				
48				
49				
50				
51				
52				
53				
54				
55				
56				
57				
58				
59				
60				
61				
62				
63				
64				
65				
66				
67				
68				
69				
70				

K



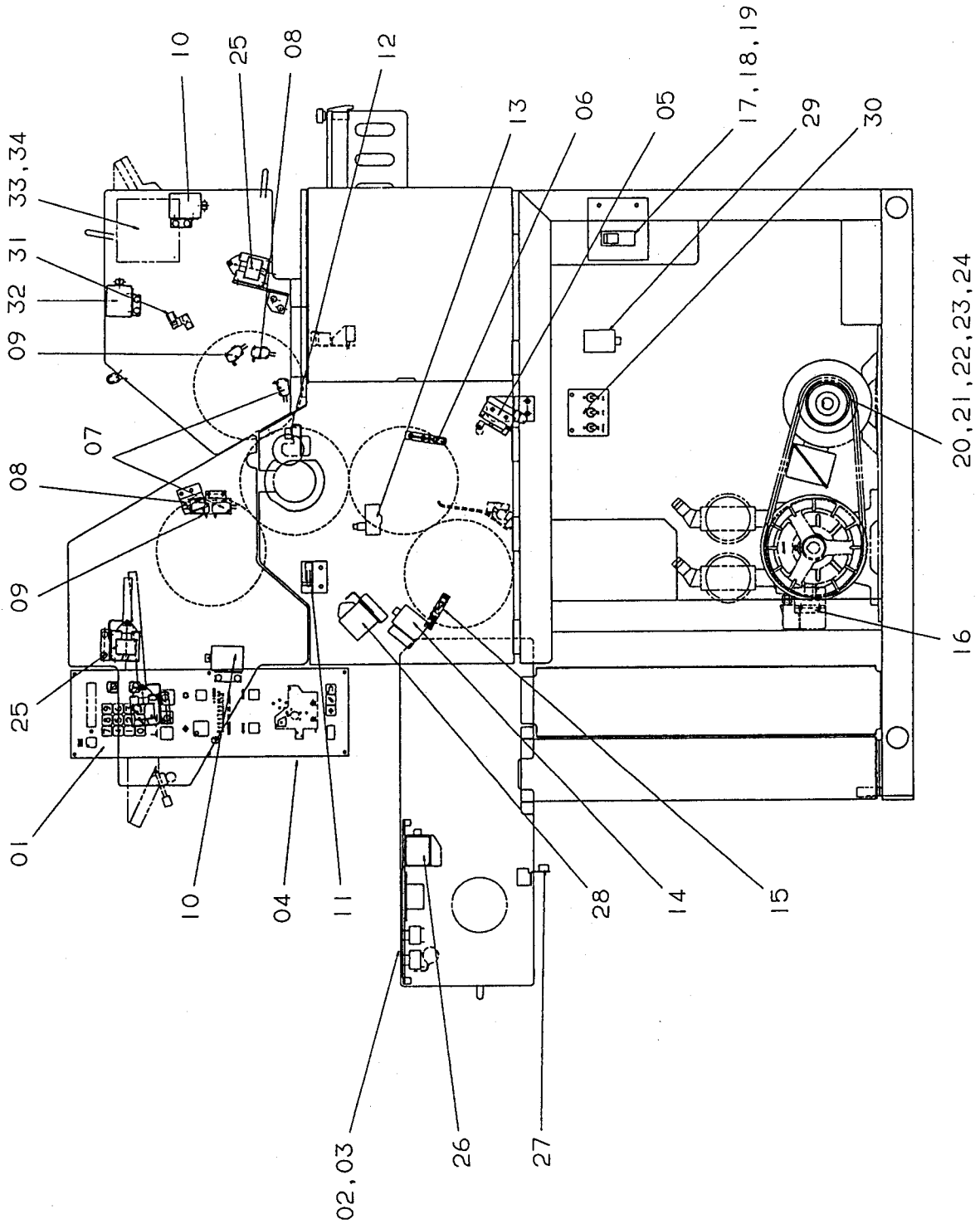
RS34	RS34L	VS34	VS34L
W1066	W1068	○	W1086

VS34
Electric Components (NOP-S)

W1084

INDEX No.	Parts No.	Description	Remarks	Units Per Assy
01	E46-21-1A-3	Control Box (T200V)		1
02	E46-21-1B-3	Control Box (S200V)		1
03	E46-21-1C-3	Control Box (T380V)		1
04	E46-21-1D-3	Control Box (S100V)		1
05	E09-60-01-3	Solenoid (Double Sheet Detection)		1
06	E09-25-3	Solenoid (Paper Feed)		1
07	E26-74-3	Sensor (Paper Detection)		1
08	E09-60-01-3	Solenoid (P-B)		1
09	E10-29-3	Limit Switch (Damp/Ink Cover)		4
10	E10-25-3	Solenoid (Ink Ductor)		1
11	E10-29-3	Limit Switch (CD Front Cover)		1
12	E26-74-3	Sensor (Blanket JAM)		1
13	E10-29-3	Limit Switch (CD Upper Cover)		1
14	E24-09-3	Fluorescent Light (60Hz)		1
15	E24-10-3	Fluorescent Light (50Hz)		1
16	E10-29-3	Limit Switch		1
17	E09-43-3	Spray Valve		1
18	E11-01-05-3	Static ELIM. Transformer		1
19	E10-29-3	Limit Switch		1
20	E01-66-3	Motor (T200V)		1
21	E01-86-3	Motor (S100/200V)		1
22	E01-88-3	Motor (S120/240V)		1
23	E01-68-3	Motor (T380V)		1
24	E01-103-3	Motor (T415V)		1
25	E01-113-3	Motor (T200V, 2nd)		1
26	E01-114-3	Motor (T380/415V, 2nd)		1
27	E10-29-3	Limit Switch (Night Latch)		1
28	E11-02-04-6	Static ELIM. Bar (Feed)		1
29	E11-02-01-6	Static ELIM. Bar (Delivery)		1
30	E10-47-3	Limit Switch (2nd)		1
31				
32				
33				
34				
35				
36				
37				
38				
39				
40				
41				
42				
43				
44				
45				
46				
47				
48				
49				
50				
51				
52				
53				
54				
55				
56				
57				
58				
59				
60				
61				
62				
63				
64				
65				
66				
67				
68				
69				
70				

K



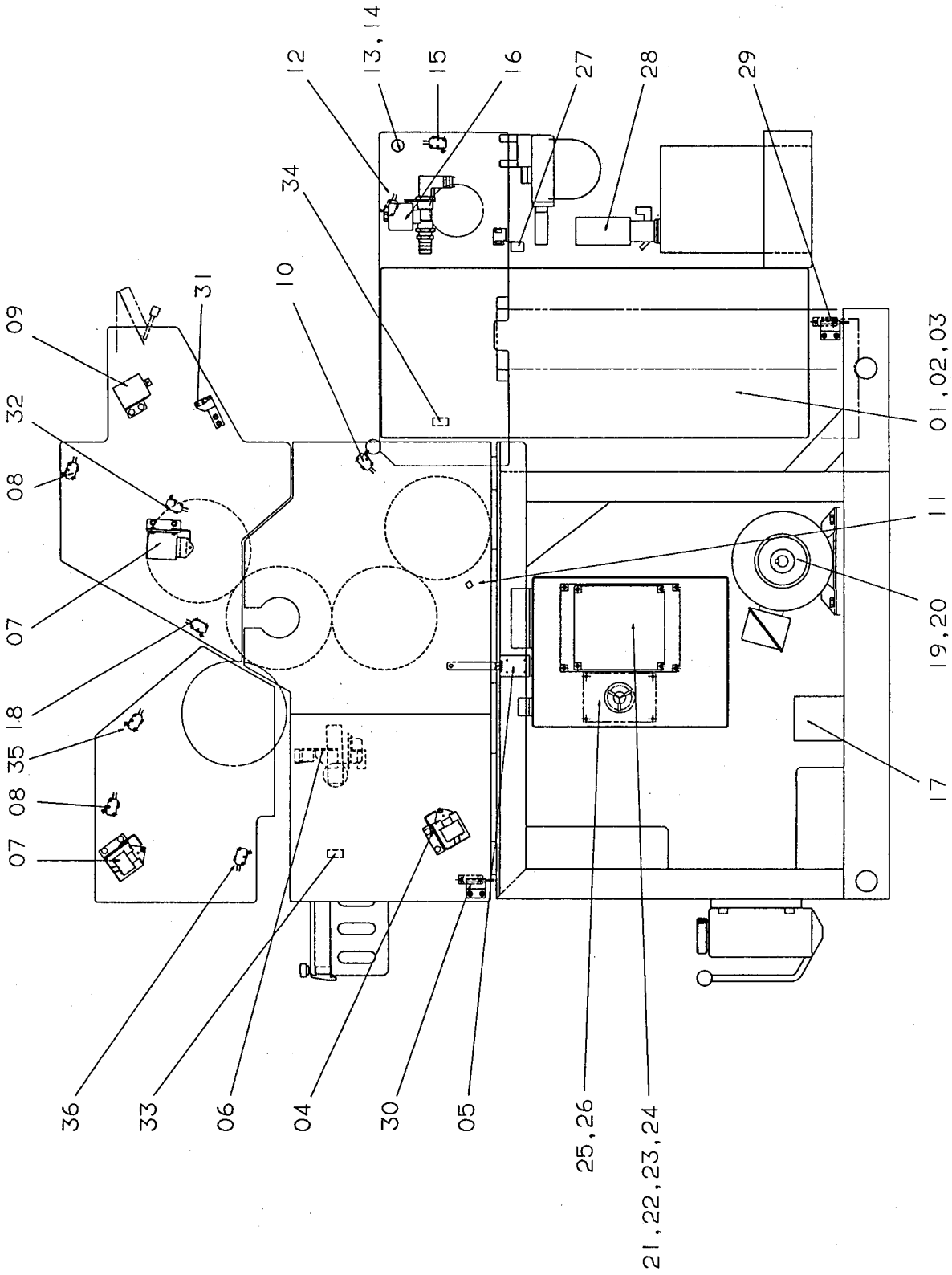
RS34	RS34L	VS34	VS34L
W1065	W1067	W1083	○

**VS34L
Electric Components (OP-S)**

W1085

INDEX No.	Parts No.	Description	Remarks	Units Per Assy
01	E48-11-1B-3	Operation Panel (Main)		1
02	E48-12-1A-3	Operation Panel (Sub)	Molton	1
03	E48-12-1B-3	Operation Panel (Sub)	Integrated	1
04	E48-13-1A-3	Operation Panel (Blanket Cleaning)		1
05	E10-20-3	Limit Switch (Spray Timing)		1
06	E26-75-3	Sensor (Blanket JAM Timing)		1
07	E10-29-3	Limit Switch (SL 1)		1
08	E10-29-3	Limit Switch (SL 2)		1
09	E10-29-3	Limit Switch (SL 3)		1
10	E09-25-3	Solenoid (Dampening Ductor)		1
11	E10-30-3	Limit Switch (OP-S Cover)		1
12	E10-29-3	Limit Switch (Vertical Adjust Handle)		1
13	E10-54-3	Limit Switch (Non-Rotating Hand Wheel)		1
14	E09-25-3	Solenoid (Impression)		1
15	E26-75-3	Sensor (Impression Timing)		1
16	E10-30-3	Limit Switch		1
17	E02-19-3	Breaker (T200V)		1
18	E02-20-3	Breaker (S200V)		1
19	E02-21-3	Breaker (T380V)		1
20	E01-83-3	Motor (T200V)		1
21	E01-85-3	Motor (S100/200V)		1
22	E01-87-3	Motor (S120/240V)		1
23	E01-89-3	Motor (T380)		1
24	E01-129-3	Motor (T415)		1
25	E48-17-1A-3	Operation Panel (Sub)		1
26	E09-25-3	Solenoid (Delivery Stack Lower)		1
27	E26-84-02-3	Sensor (Delivery Stack Height Detection)		1
28	E09-60-01-3	Solenoid (Blanket Cleaning)		1
29	E09-25-3	Solenoid (Air Blowing)		1
30	E48-18-2A-3	Operation Panel (Impression)		1
31	E26-75-3	Sensor (Single Lever Timing)		1
32	E09-25-3	Solenoid (Ink Ductor)		1
33	E48-14-2A-3	Operation Panel (2nd)	Molton	1
34	E48-14-2B-3	Operation Panel (2nd)	Integrated	1
35				
36				
37				
38				
39				
40				
41				
42				
43				
44				
45				
46				
47				
48				
49				
50				
51				
52				
53				
54				
55				
56				
57				
58				
59				
60				
61				
62				
63				
64				
65				
66				
67				
68				
69				
70				

K



CC

C

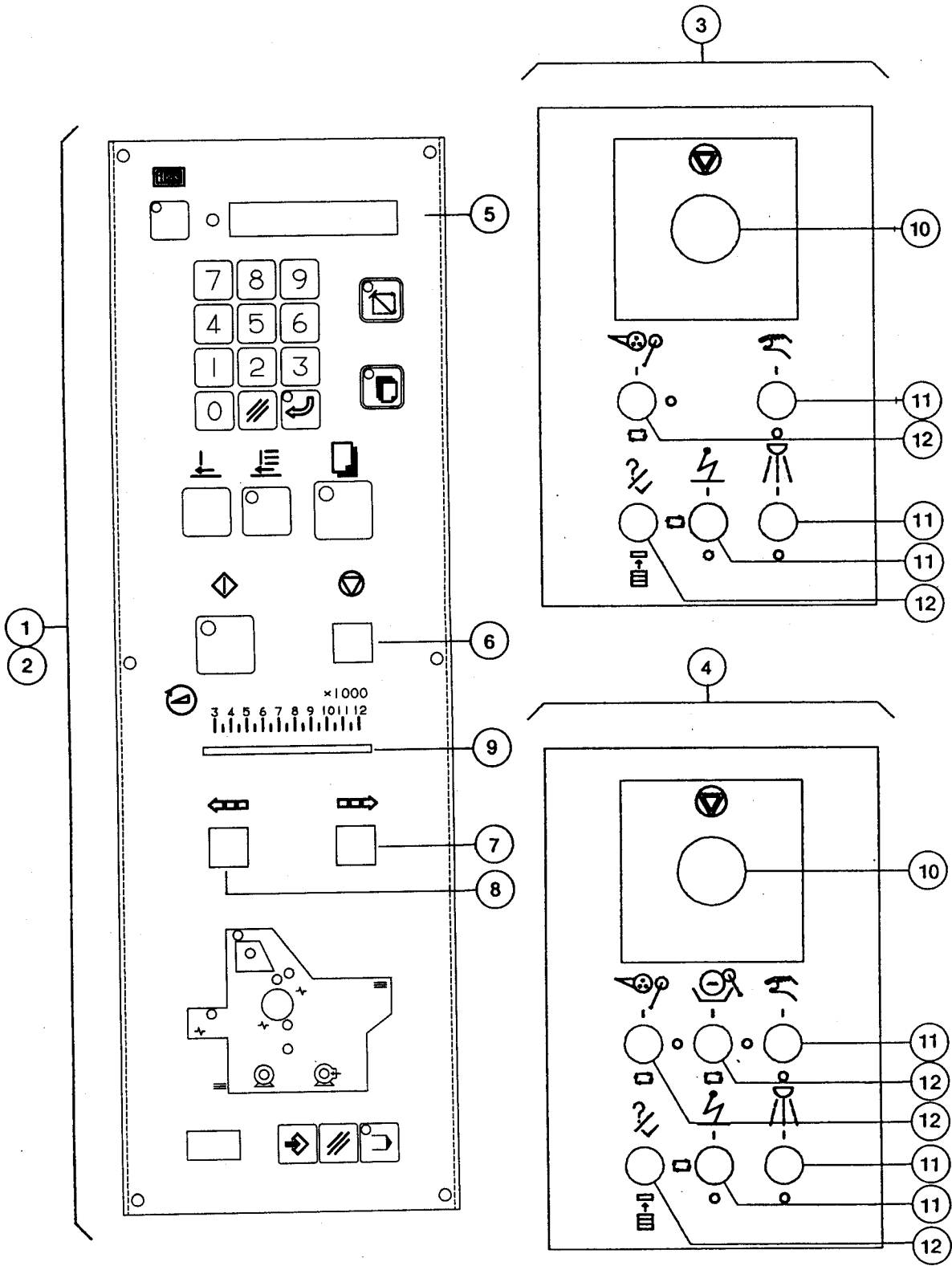
C

RS34	RS34L	VS34	VS34L
W1066	W1068	W1084	○

**VS34L
Electric Components (NOP-S)**

W1086

INDEX No.	Parts No.	Description	Remarks	Units Per Assy
01	E46-23-1A-3	Control Box (T200V)		1
02	E46-23-1B-3	Control Box (S200V)		1
03	E46-23-1C-3	Control Box (T380V)		1
04	E09-60-01-3	Solenoid (Double Sheet Detection)		1
05	E09-25-3	Solenoid (Paper Feed)		1
06	E26-74-3	Sensor (Paper Detection)		1
07	E09-60-01-3	Solenoid (P-B)		1
08	E10-29-3	Limit Switch (Damp/Ink Cover)		1
09	E09-25-3	Solenoid (Ink Ductor)		1
10	E10-29-3	Limit Switch (CD Front Cover)		1
11	E26-74-3	Sensor (Blanket JAM)		1
12	E10-29-3	Limit Switch (CD Upper Cover)		1
13	E24-09-3	Fluorescent Light (60Hz)		1
14	E24-10-3	Fluorescent Light (50Hz)		1
15	E10-29-3	Limit Switch (CD JAM)		1
16	E09-43-3	Spray Valve		1
17	E11-01-05-3	Anti-Static Transformer		1
18	E10-29-3	Limit Switch (Blanket Cylinder Cover)		1
19	E01-73-3	Motor (T200V)		1
20	E01-74-3	Motor (T200V, 2nd)		1
21	E46-18-3	Inverter (T200V)		1
22	E46-19-3	Inverter (S200V)		1
23	E46-19-3	Inverter (T200V, 2nd)		1
24	E46-13-3	Inverter (S200V, 2nd)		1
25	E21-24-3	Noise Filter (T200V)		1
26	E21-25-3	Noise Filter (S200V)		1
27	E26-84-01-3	Sensor (Delivery Stack Height Detection)		1
28	6003-09035C	Blanket Cleaning Pump		1
29	E10-12-3	Lead Switch (Delivery Stack Lower)		1
30	E10-12-3	Lead Switch (Paper Stack Height Detection)		1
31	E26-75-3	Sensor (Single Lever Timing)		1
32	E10-29-3	Limit Switch (Night Latch)		1
33	E11-02-04-6	Static ELIM. Bar (Feed)		1
34	E11-02-01-6	Static ELIM. Bar (Delivery)		1
35	E10-47-3	Limit Switch		1
36				
37				
38				
39				
40				
41				
42				
43				
44				
45				
46				
47				
48				
49				
50				
51				
52				
53				
54				
55				
56				
57				
58				
59				
60				
61				
62				
63				
64				
65				
66				
67				
68				
69				
70				



RS34	RS34L	VS34	VS34L
W1059	W1061	W1059	○

**VS34L
Operation Panel**

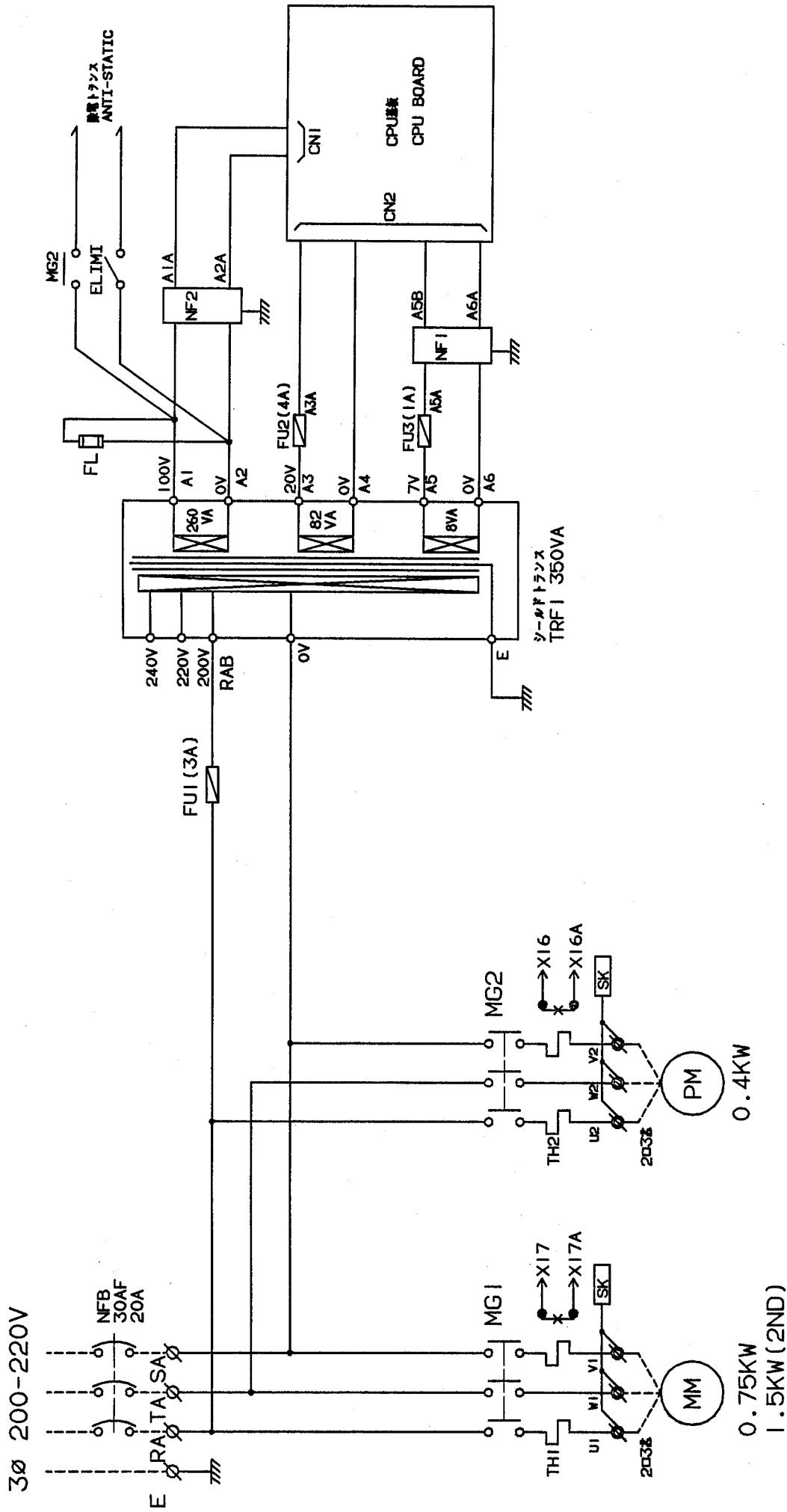
W1087

INDEX No.	Parts No.	Description	Remarks	Units Per Assy
01	E48-11-1B-3	Operation Panel Assy		1
02	E48-11-1D-3	Operation Panel Assy (2nd)		1
03	E48-12-1A-3	Operation Panel Assy	Integrated	1
04	E48-12-1B-3	Operation Panel Assy	Molton	1
05	E42-19-01-3	Circuit Board		1
06	E45-04-01-3	Stop Switch		1
07	E45-06-02-3	Inching Switch (Reverse)		1
08	E45-06-01-3	Inching Switch (Forward)		1
09	E42-14-01-3	Volume Board (5KΩ)		1
10	E13-95-11-3	Stop Switch		1
11	E13-47-3	Toggle Switch		1
12	E13-90-01-3	Toggle Switch		1
13				
14				
15				
16				
17				
18				
19				
20				
21				
22				
23				
24				
25				
26				
27				
28				
29				
30				
31				
32				
33				
34				
35				
36				
37				
38				
39				
40				
41				
42				
43				
44				
45				
46				
47				
48				
49				
50				
51				
52				
53				
54				
55				
56				
57				
58				
59				
60				
61				
62				
63				
64				
65				
66				
67				
68				
69				
70				

K

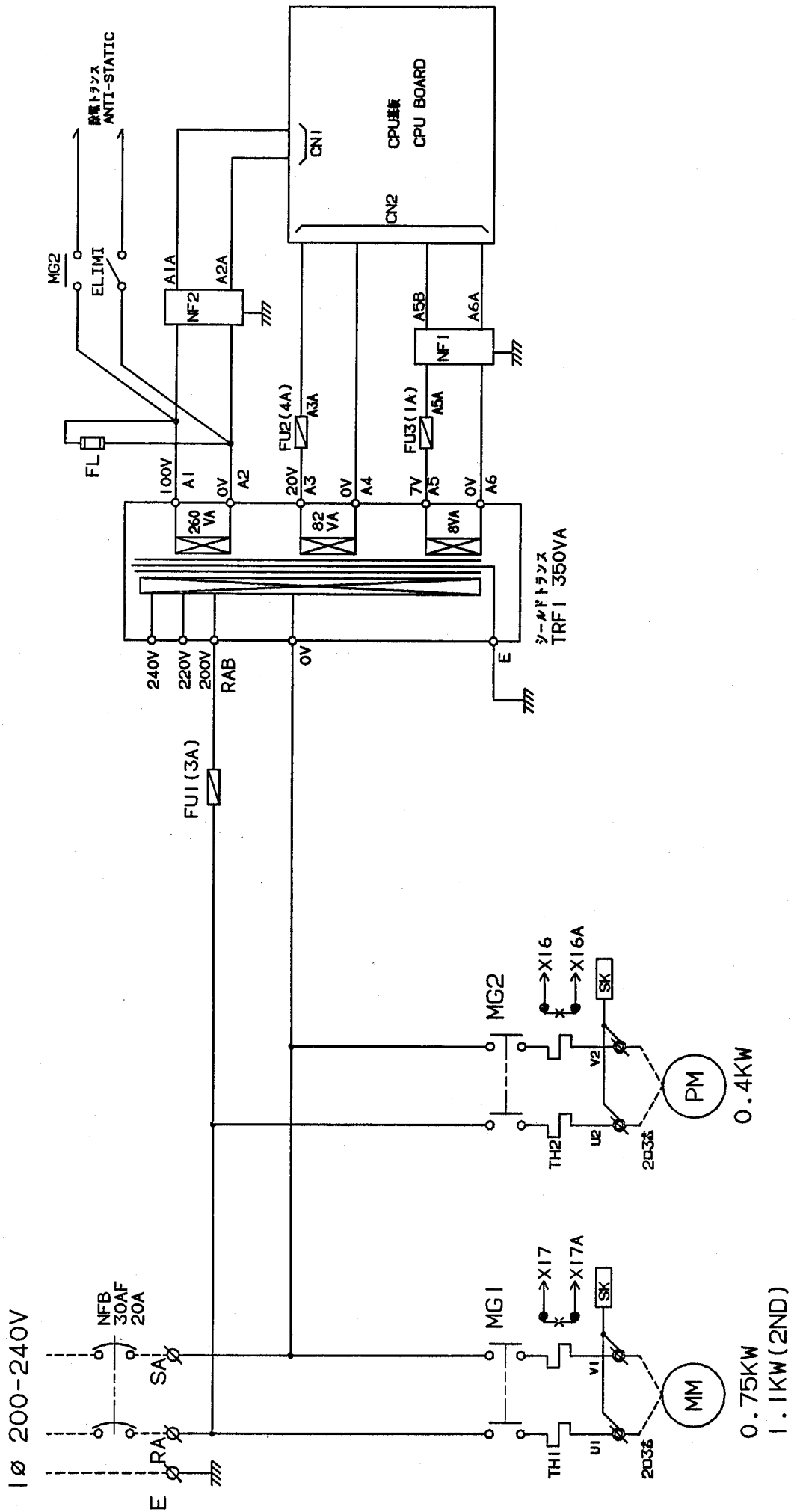
RS34/VS34 CONNECTION
 ③ RS34/VS34 結線図

RS34	RS34S	RS34L	RS34LS	VS34A	VS34FA
○	○				



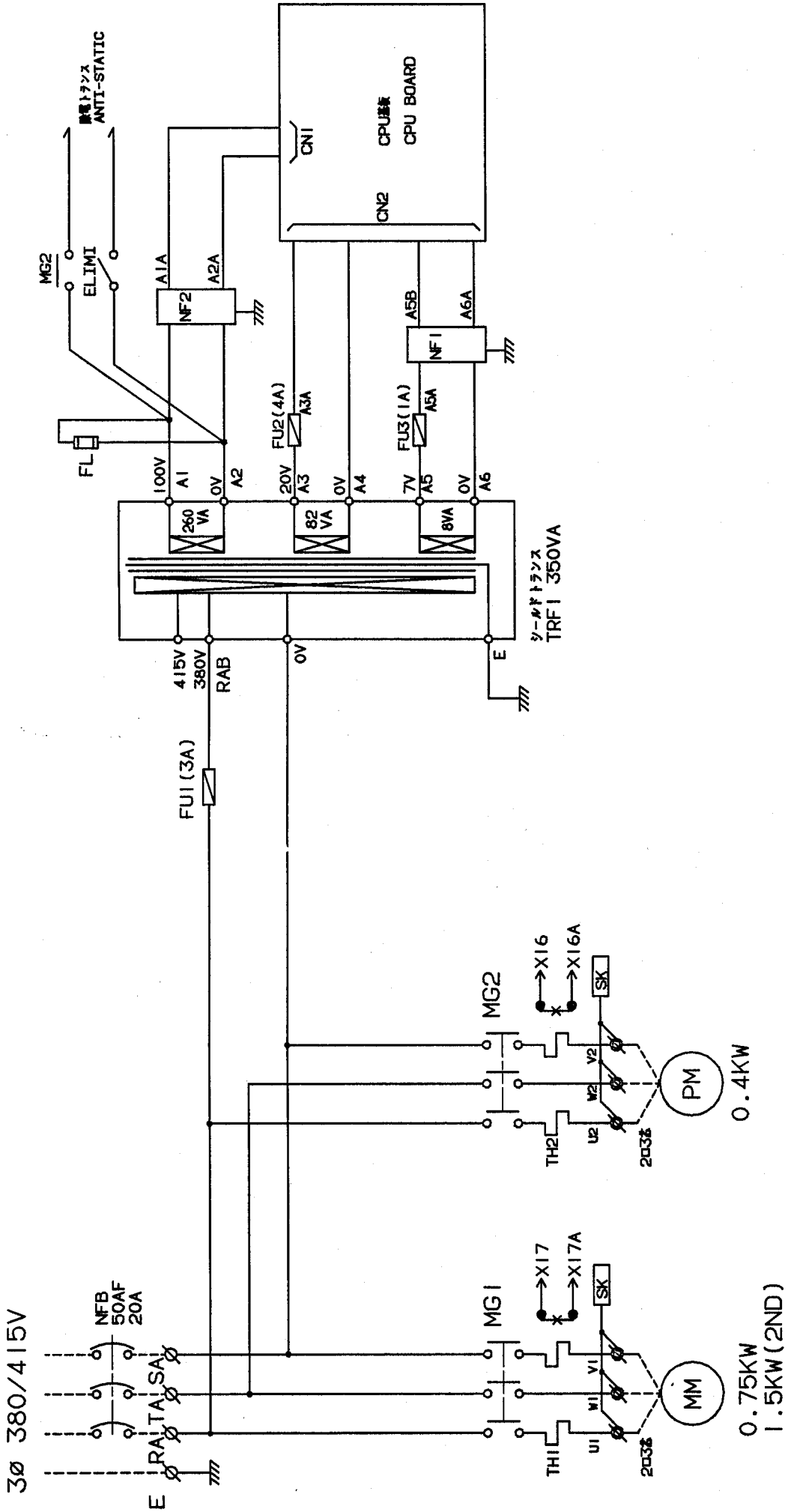
④ RS34/VS34 CONNECTION 結線図

RS34	RS34S	RS34L	RS34LS	RS34A	VS34FA
VS34	VS34S	VS34L	VS34LS		
○	○				



RS34/VS34 CONNECTION 結線図
 ⑤ RS34/VS34

RS34	RS34S	RS34L	RS34LS	VS34A	VS34FA
○	○				



RS34/VS34 CONNECTIONS
 ⑥ RS34/VS34 結線図

RS34 VS34	○	○	RS34S VS34S	RS34L VS34L	RS34LS VS34LS	VS34A	VS34FA
--------------	---	---	----------------	----------------	------------------	-------	--------

主操作パネル
 MAIN PANEL

①	インキダクタ INK DUCTOR SW
②	水ダクタ DAMPENING DUCTOR SW
③	スプレー-SW SPRAY SW
④	霧流SW FEED SW
⑤	ポンプSW PUMP SW
⑥	停止SW STOP SW
⑦	始動SW START SW
⑧	トータルカウンタ出力 TOTAL COUNTER OUTPUT
⑨	トータルカウンタSW TOTAL COUNTER SW

カウンターパネル
 COUNTER PANEL

①	カウンタアップ出力 COUNT UP
②	プリセットカウンタSW PRESET COUNTER SW
③	プリセットカウンタ PRESET COUNTER

PCNT (4極)
 SCNT (4極)

セカンドパネル
 2ND PANEL

①	インキダクタ INK DUCTOR SW
②	水ダクタ DAMPENING DUCTOR SW

P9AA (6極)

S9AA (6極)

P9 (24極)

S9 (24極)

給紙部パネル (RS)
 FEEDER PANEL (RS)

①	給紙SW FEED SW
②	停止SW STOP SW

P10 (4極)

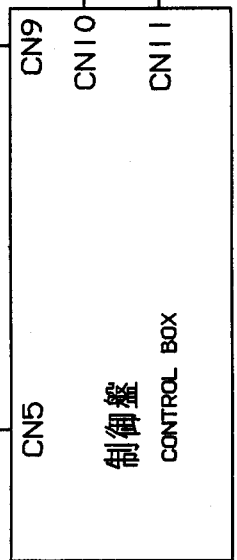
S10 (4極)

補助パネル
 SUB PANEL

①	B-I SW
②	P-B SW
③	2ND P-B SW
④	除電SW ANTI-STATIC SW

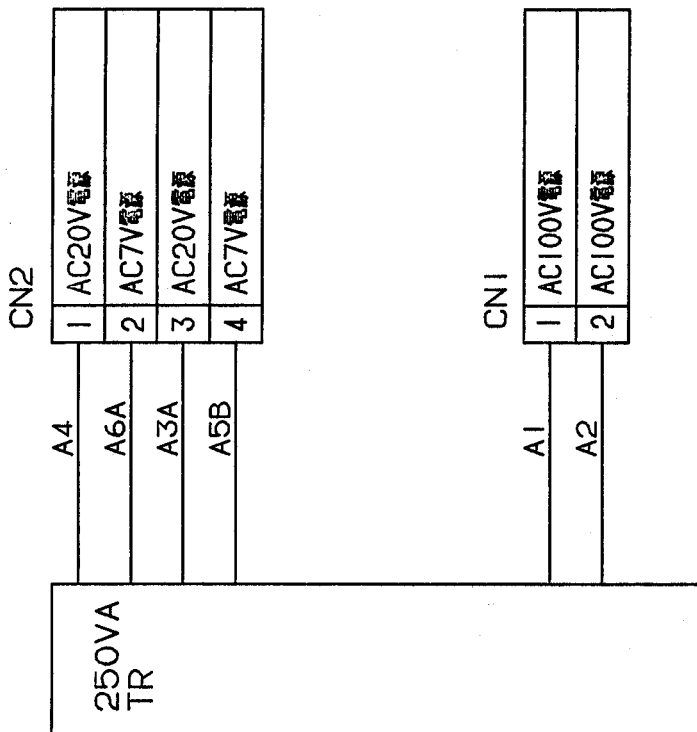
P11 (6極)

S11 (6極)

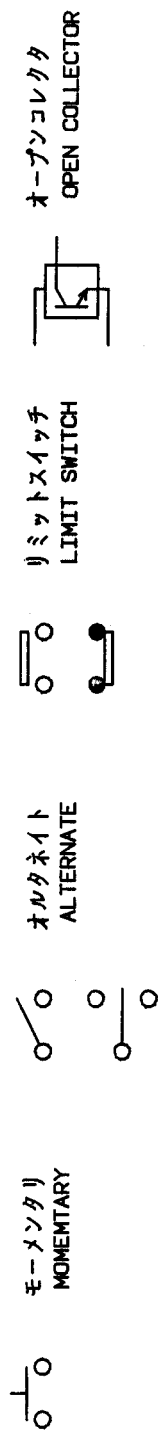
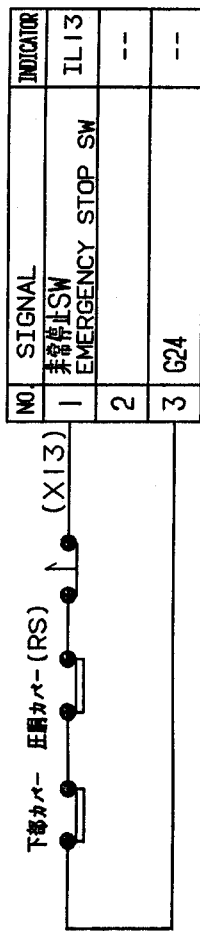


① RS34/VS34 CONNECTION (No.1)
RS34/VS34コネクタ表 (No.1)

RS34	RS34S	RS34L	RS34LS	RS34A	VS34FA
VS34	VS34S	VS34L	VS34LS	VS34A	VS34FA
○	○				



CN6



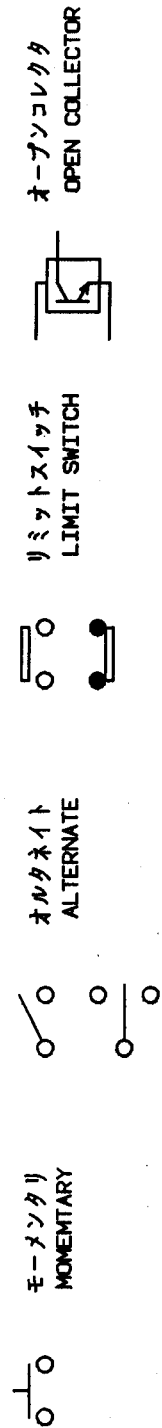
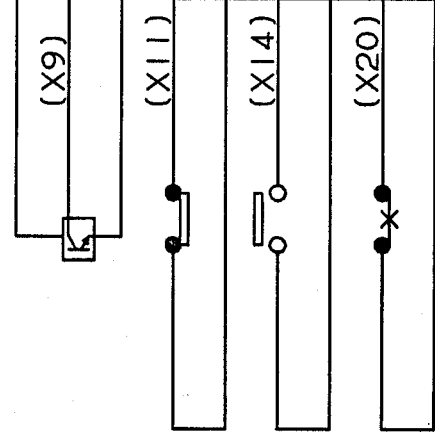
⑧ RS34/VS34 CONNECTION (No.2)
RS34/VS34コネクタ表 (No.2)

RS34	RS34S	RS34L	RS34LS	VS34A	VS34FA
VS34	VS34S	VS34L	VS34LS	VS34A	VS34FA
○	○				

CN3

NO.	SIGNAL	INDICATOR
1	P24	--
3	原圧タイミング (RS) P-B. TIMING (RS)	IL6
5	G24	--
2	P24	--
4	印圧タイミング IMPRESSION TIMING	IL5
6	G24	--
7	P24	--
9	紙検出センサー (給紙) (RS) PAPER DETECTION SENSOR (FEED)	IL8
11	G24	--
8	P24	--
10	紙検出センサー (満当) PAPER DETECTION SENSOR (IMP.)	IL7
12	G24	--
13	P24	--
15	フランジジャムセンサー BLANKET JAM SENSOR	IL10
17	G24	--

NO.	SIGNAL	INDICATOR
14	P24	--
16	フランジジャムタイミング BLANKET JAM TIMING	IL9
18	G24	--
19	2枚検知 DOUBLE SHEET DETECTION	IL11
20	G24	--
21	シングルレバーリミット SINGLE LEVER LIMIT SW	IL14
22	G24	--
23	メインサーマル MAIN THERMAL	IL17
24	G24	--
25		IL18
26	G24	--
29	P24	--
27		IL19
28	G24	--
30	G24	--



⑨ RS34/VS34 CONNECTION (No.3)
RS34/VS34コネクタ表 (No.3)

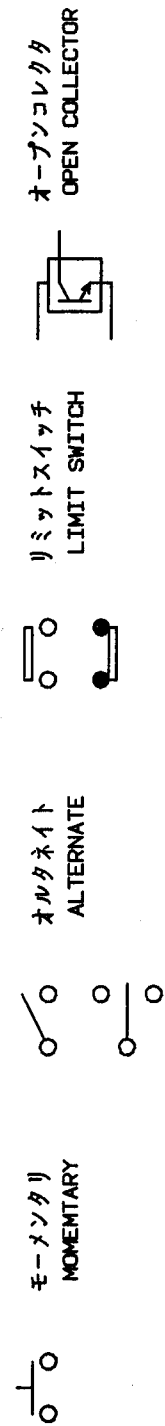
RS34	RS34S	RS34L	RS34LS	VS34A	VS34FA
VS34	VS34S	VS34L	VS34LS		
○	○				

CN4

NO.	SIGNAL	INDICATOR
1	ハンドル停止 NON-ROTATING HAND WHEEL	IL12
2		--
3	CDジャム CD JAM LIMIT SW	IL12
4		--
5	下部カバー OP-S LOWER COVER	IL12
6		--
7	天板ハンドル VERTICAL ADJUST HANDLE	IL12
8		--
9	インキ・ホカカバー DAMP/INK COVER	IL12
10		--
11	ブランケットカバー BLANKET CYLINDER COVER	IL12
12		--
13	OP-Sカバー OP-S COVER	IL12
14		--

CN4

NO.	SIGNAL	INDICATOR
15	圧刷カバー IMPRESSION CYLINDER COVER	IL12
16		--
17	CD前カバー CD FRONT COVER	IL12
18		--
19	CD後カバー CD UPPER COVER	IL12
20		--



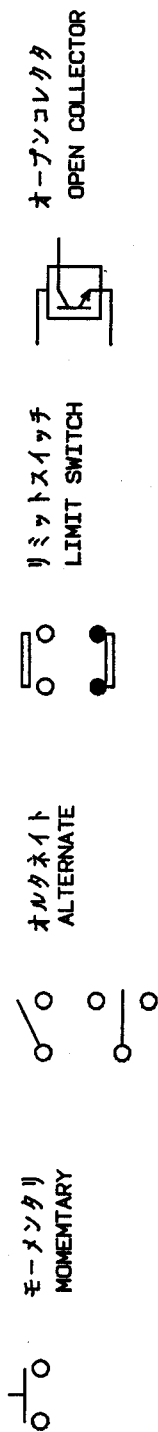
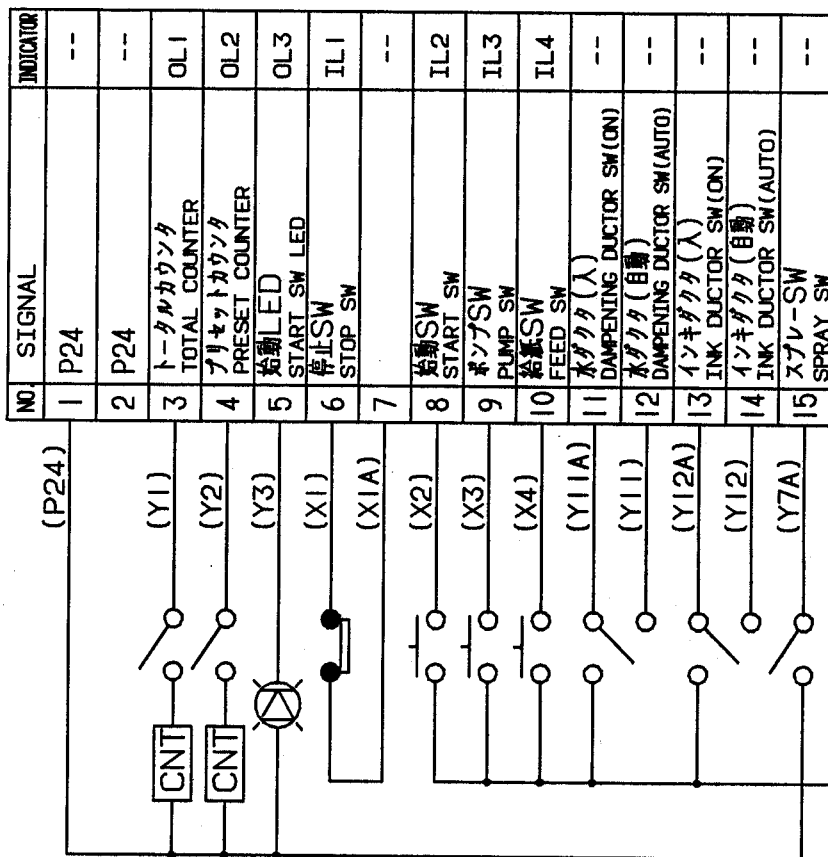
RS34/VS34 CONNECTION (No.4)
 ⑩ RS34/VS34コネクタ表 (No.4)

RS34	RS34S	RS34L	RS34LS	RS34A	VS34FA
VS34	VS34S	VS34L	VS34LS	VS34A	VS34FA
○	○				

CN5

NO.	SIGNAL	INDICATOR
16	G24	--
17	G24	--
18		--

CN5

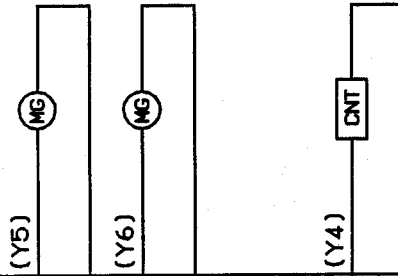
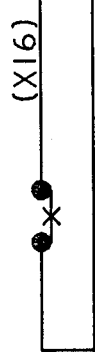
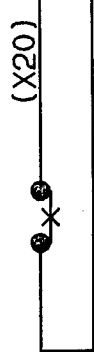
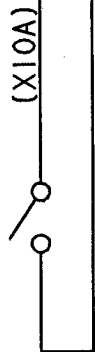


① RS34/VS34 CONNECTION (No.5)
RS34/VS34コネクタ表 (No.5)

RS34	RS34S	RS34L	RS34LS	VS34A	VS34FA
VS34	VS34S	VS34L	VS34LS		
○	○				

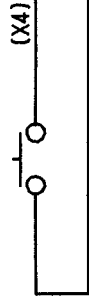
CN7

NO.	SIGNAL	INDICATOR
1	ブランケットジャム SW BLANKET JAM SW	IL10
2	G24	--
3	メインサーマル MAIN THERMAL	IL17
4	G24	--
5	ポンプサーマル PUMP THERMAL	IL16
6		--
7	運転マグネット MAIN MAGNET	OL5
8	P24	--
9	ポンプマグネット PUMP MAGNET	OL6
10	P24	--
11	トータルカウンタ TOTAL COUNTER	OL1
12	P24	--
13	メンテナカウンタ MAINTENANCE COUNTER	OL4
14	P24	--



CN10

NO.	SIGNAL	INDICATOR
1	停止SW (RS) STOP SW	IL1
2	G24	--
3	給紙SW FEED SW	IL4
4	G24	--



CN11

NO.	SIGNAL	INDICATOR
1	G24	--
2	B-I SW	--
3	P-B SW	--
4	2ND P-B SW	--
5	除塵SW ANTI-STATIC	--
6		--



モーメンタリ
MOMENTARY



オルタネイト
ALTERNATE



リミットスイッチ
LIMIT SWITCH



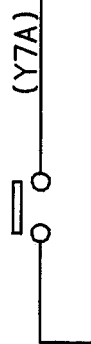
オープンコレクタ
OPEN COLLECTOR

RS34/VS34 CONNECTION (No.6)
 ⑫ RS34/VS34コネクタ表 (No.6)

RS34 VS34	RS34S VS34S	RS34L VS34L	RS34LS VS34LS	VS34A	VS34FA
○	○				

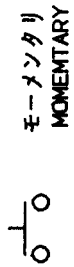
CN8

NO.	SIGNAL	INDICATOR
1	A1A	--
11	原紙SOL P-B SOL	OL14 (Y13)
2	A1A	--
12	2枚通しSOL DOUBLE SHEET SOL	OL15 (Y14)
3	A1A	--
13		OL16 (Y15)
4	A1A	--
14	スプレーバルブ SPRAY VALVE	OL8 (Y7)
5	スプレータイミング SPRAY TIMING	--
15	A2A	--
6	P24	--
16	印圧SOL IMPRESSION SOL	OL18 (Y17)
7	P24	--
17	給紙SOL PAPER FEED SOL	OL17 (Y16)



CN8

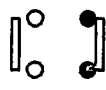
NO.	SIGNAL	INDICATOR
8	P24	--
18	インキダクタSOL INK DUCTOR SOL	OL13 (Y12)
9	P24	--
19	水ダクタSOL DAMPENING DUCTOR SOL	OL12 (Y11)
10	P24	--
20	テープインサーター TAPE INSERTER	OL7 (Y1)



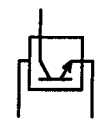
モーメンタリ
MOMENTARY



オルタネイト
ALTERNATE



リミットスイッチ
LIMIT SWITCH

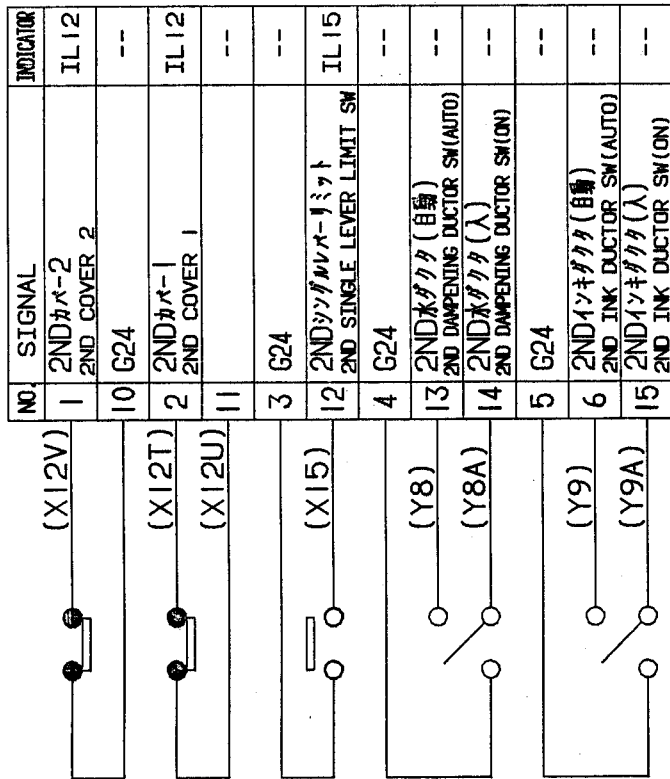


オープンコレクタ
OPEN COLLECTOR

⑬ RS34/VS34 CONNECTION (No.7)
RS34/VS34コネクタ表 (No.7)

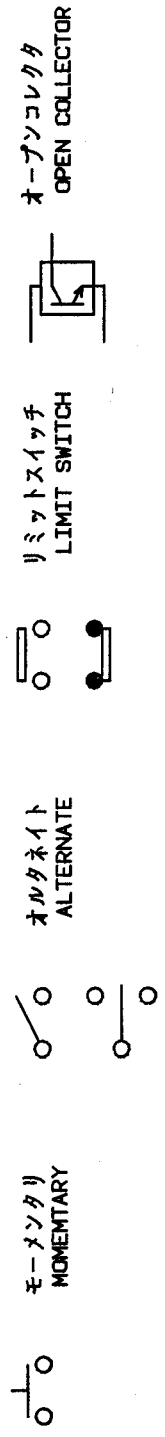
RS34	RS34S	RS34L	RS34LS	RS34A	VS34FA
VS34	VS34S	VS34L	VS34LS	VS34A	VS34FA

CN9



CN9

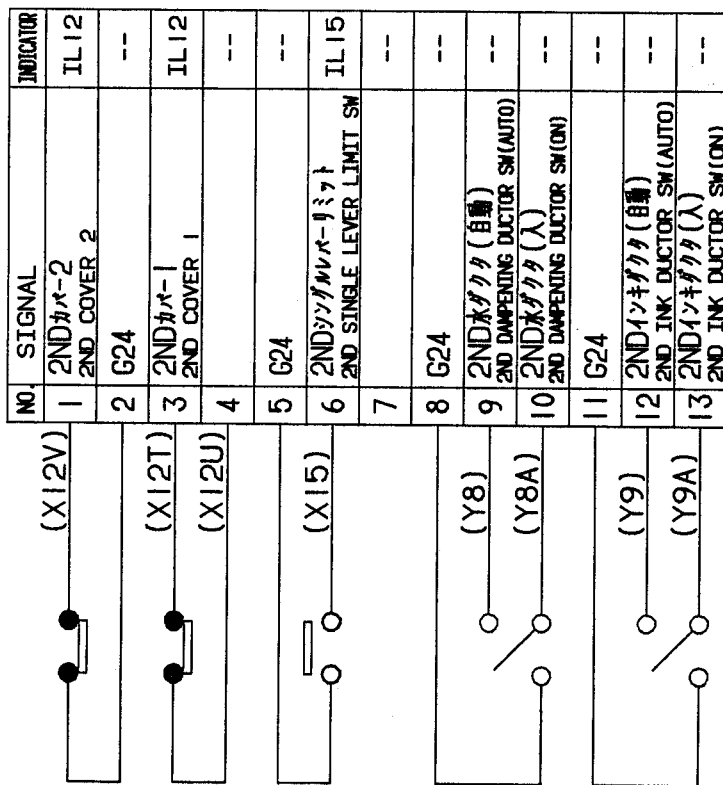
NO.	SIGNAL	INDICATOR
7	P24	--
16	2ND水ガクソL 2ND DAMPENING DUCTOR SOL	OL9 (Y8B) SOL
8	P24	--
17	2NDインキガクソL 2ND INK DUCTOR SOL	OL10 (Y9B) SOL
9	A1A	--
18	2ND水ガクソL 2ND P-B SOL	OL11 (Y10) SOL



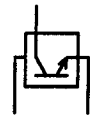
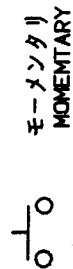
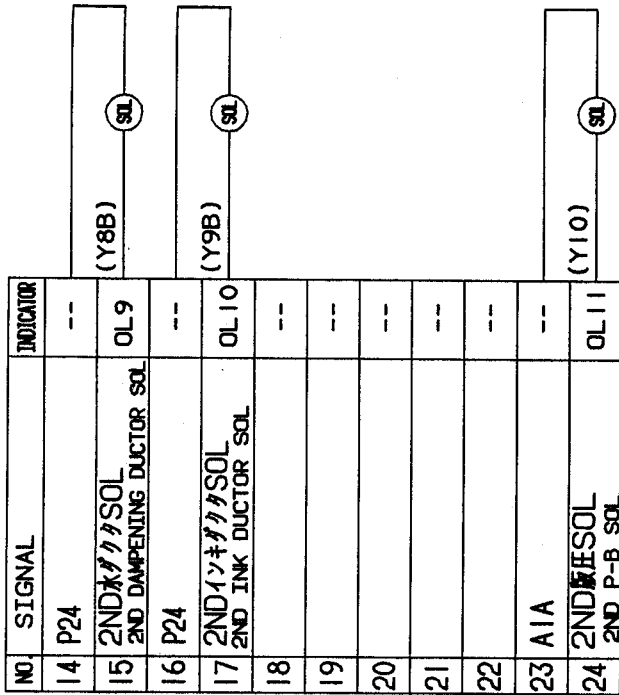
⑭ RS34/VS34 CONNECTION (No.8)
RS34/VS34コネクタ表 (No.8)

RS34	RS34S	RS34L	RS34LS	RS34A	VS34FA
VS34	VS34S	VS34L	VS34LS	VS34A	VS34FA
	○				

P9



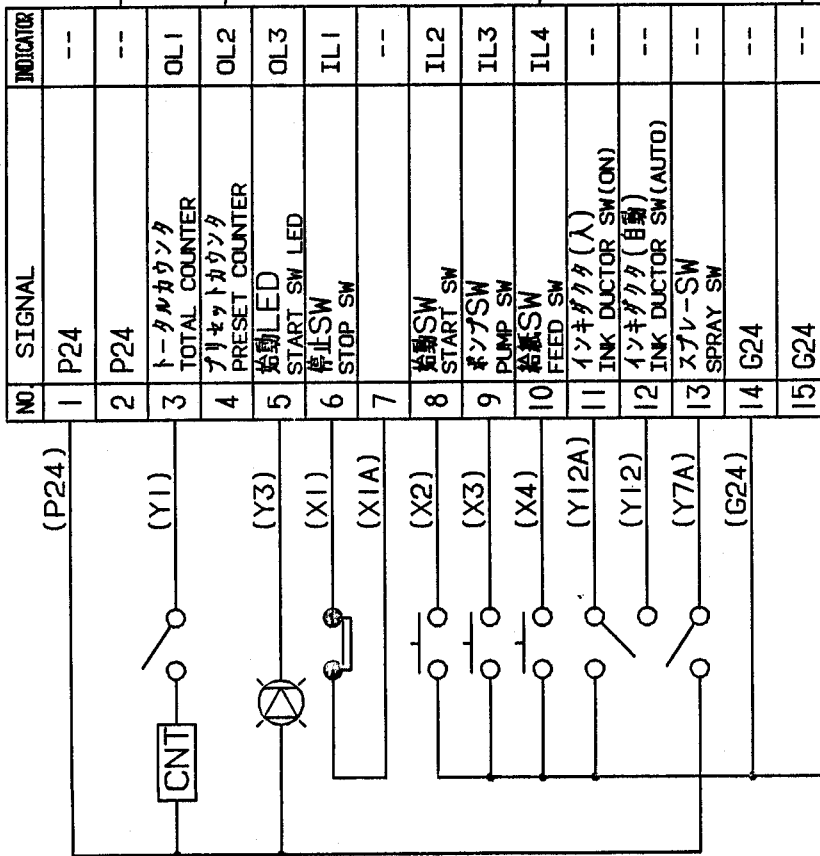
P9



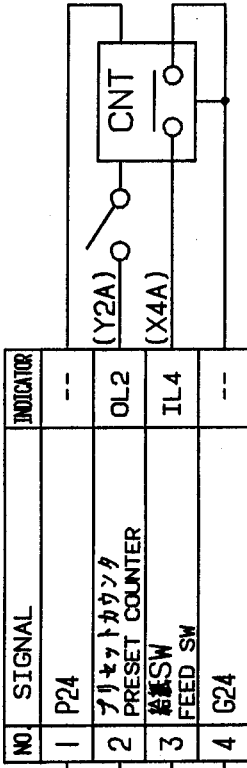
⑮ RS34/VS34 CONNECTION (No.9)
RS34/VS34コネクタ表 (No.9)

RS34	RS34S	RS34L	RS34LS	RS34S	VS34A	VS34FA
○	○					

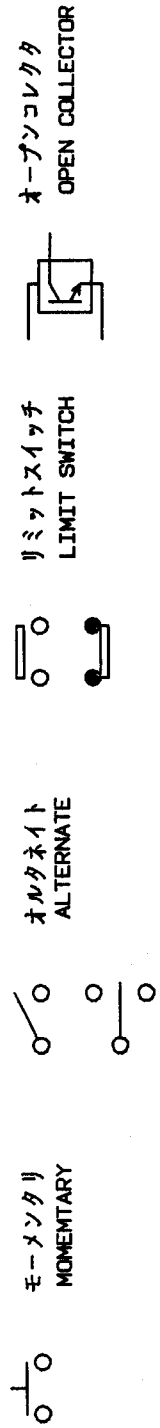
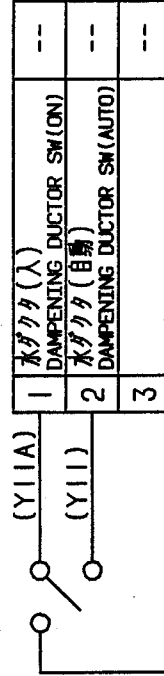
主操作パネル
MAIN PANEL
P5



カウンタパネル
COUNTER PANEL
PCNT



主操作パネル
MAIN PANEL
P5A

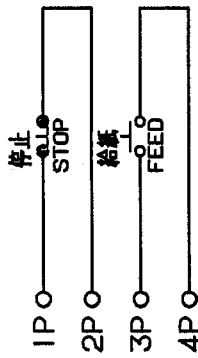


⑩ RS34/VS34 CONNECTION (No. 10)
RS34/VS34コネクタ表 (No. 10)

RS34	RS34S	RS34L	RS34LS	RS34A	VS34FA
VS34	VS34S	VS34L	VS34LS	VS34A	VS34FA
○	○				

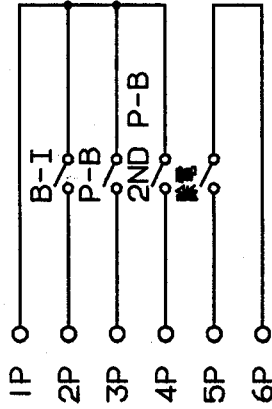
給紙部パネル (RS)
FEED PANEL (RS)

P10



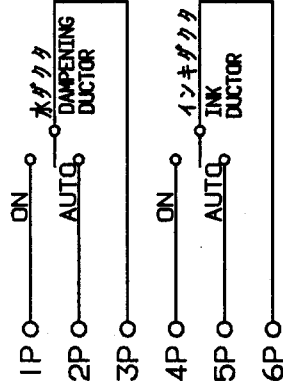
補助パネル
SUB-PANEL

P11



2NDパネル
2ND PANEL

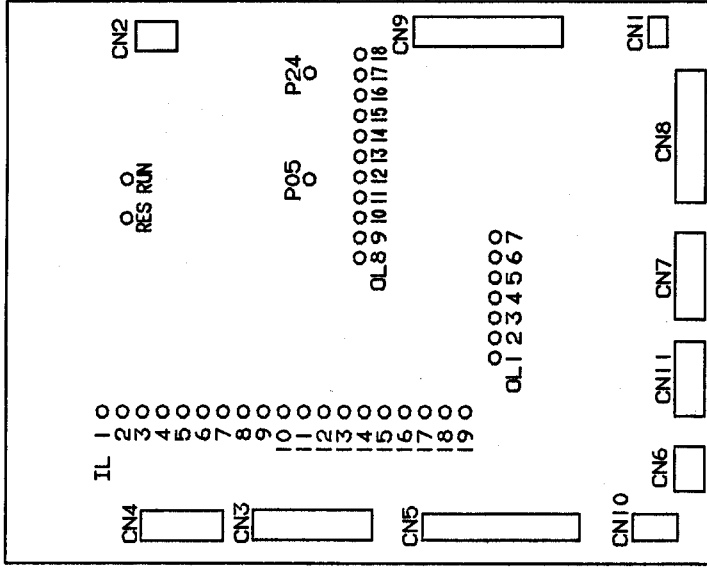
P9AA



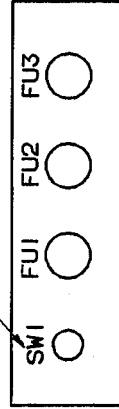
RS34/VS34 CONNECTOR/LED
 RS34/VS34 コネクター, インジケータLED配置図

RS34	RS34S	RS34L	RS34LS	VS34A	VS34FA
VS34	VS34S	VS34L	VS34LS		
○	○				

コネクター	番号(番号)
IL 1	停止SW STOP SW X1
2	始動SW START SW X2
3	ポンプSW PUMP SW X3
4	給紙SW FEED SW X4
5	印圧タイミング IMPRESSION TIMING SENSOR X5
6	紙圧タイミング(P-S) P-B TIMING SENSOR (RS) X6
7	検紙曲(前)センサー PAPER DETECTION SENSOR (IMP.) X7
8	検紙曲(後)センサー(P-S) PAPER DETECTION SENSOR (FEED) X8
9	ブランケットタイミング BLANKET JAM TIMING SENSOR X9
10	ブランケットセンサー BLANKET JAM SENSOR X10
11	2枚検知 DOUBLE SHEET DETECTION X11
12	安全カバー SAFETY COVER X12
13	非常停止SW EMERGENCY STOP SW X13
14	シングルレバーリミット SW SINGLE LEVER LIMIT SW X14
15	2NDシングルレバーリミット 2ND SINGLE LEVER LIMIT SW X15
16	ポンプサーマル PUMP THERMAL X16
17	メインサーマル MAIN THERMAL X20
18	
19	



プログラジャムセンサー-取付時SW1を下に挿す

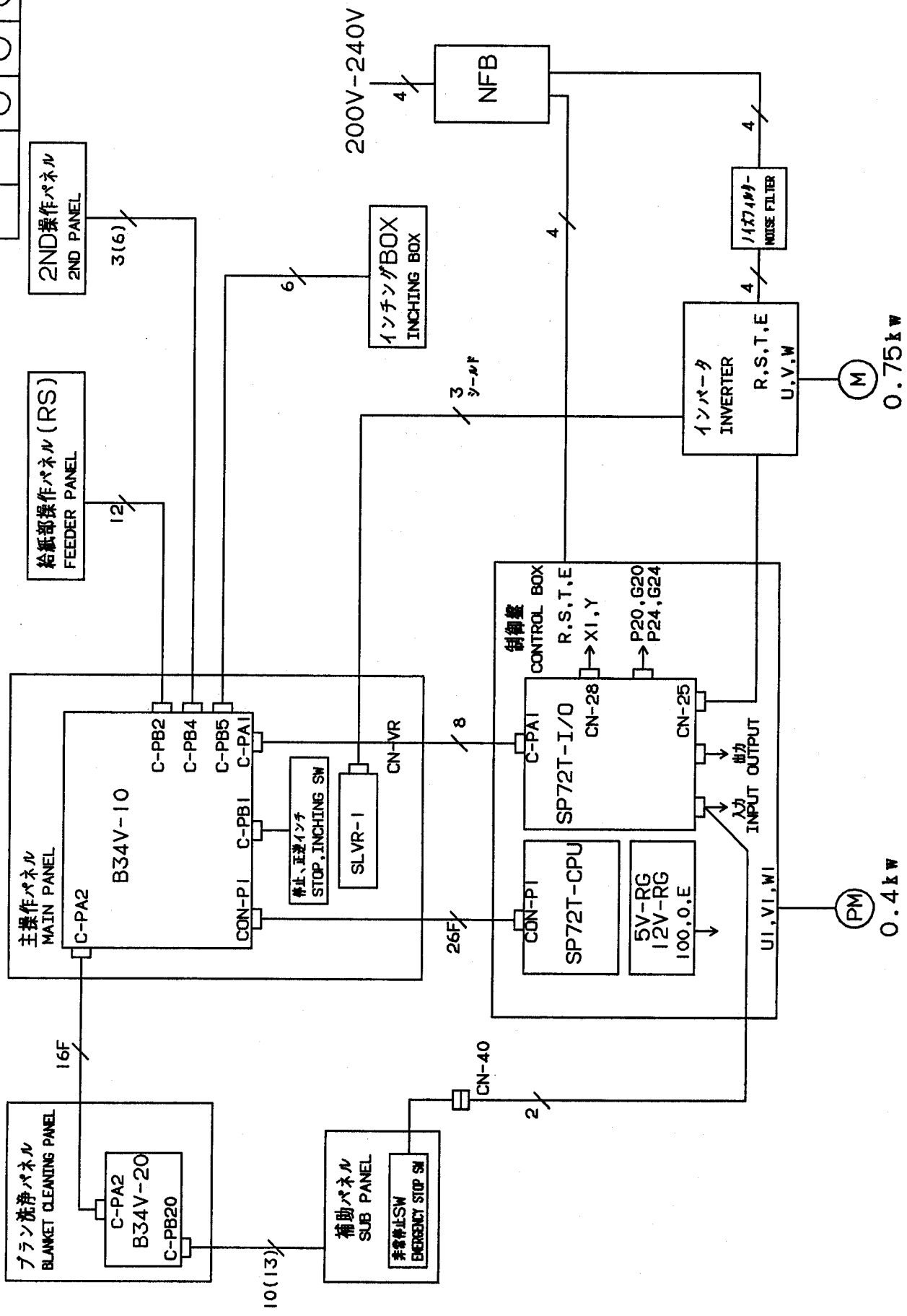


(93.11.15追加)

コネクター	番号(番号)
OL 1	トータルカウンター TOTAL COUNTER Y1
2	プリセットカウンター PRESET COUNTER Y2
3	始動LED START LED Y3
4	メンテナンスカウンター MAINTENANCE COUNTER Y4
5	紙圧センサー MAIN MAGNET RELAY Y5
6	ポンプマグネット PUMP MAGNET RELAY Y6
7	テープインserter TAPE INSERTER Y7
8	スプレーバルブ SPRAY VALVE Y8
9	2ND水ダクトソレノイド 2ND DAMPENING DICTOR SOL Y8B
10	2NDインキダクトソレノイド 2ND INK DICTOR SOL Y9B
11	2ND紙圧ソレノイド 2ND P-B SOL Y10
12	水ダクトソレノイド DAMPENING DICTOR SOL Y11
13	インキダクトソレノイド INK DICTOR SOL Y12
14	紙圧ソレノイド P-B SOL Y13
15	2枚検知ソレノイド DOUBLE SHEET DETECTION Y14
16	
17	給紙ソレノイド PAPER FEED SOL Y16
18	印圧ソレノイド IMPRESSION SOL Y17

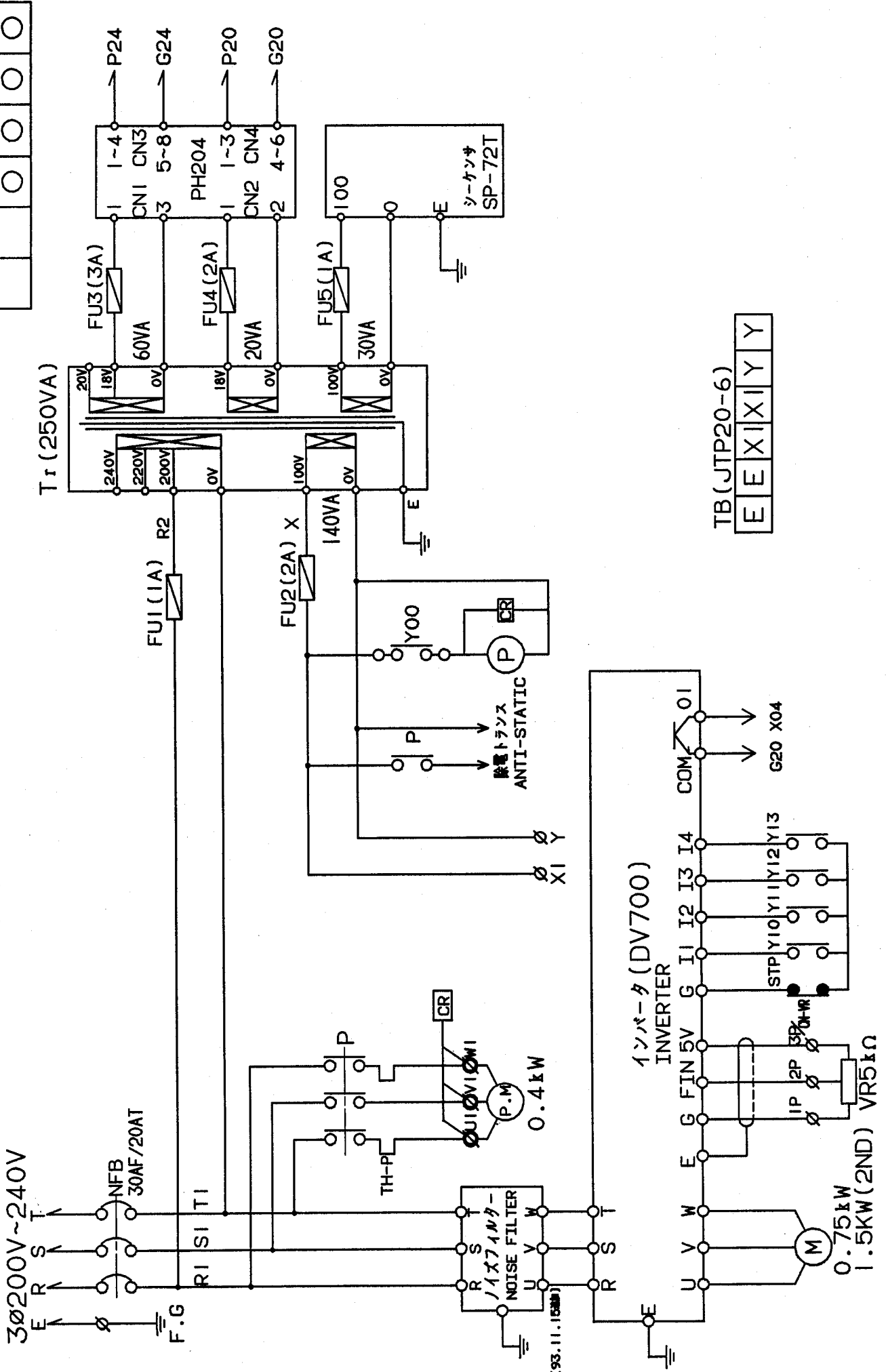
⑤ RS34L/VS34L, A, FA CONNECTIONS
RS34L/VS34L, A, FA 結線図

RS34	RS34S	RS34L	RS34LS	RS34S	RS34LS	VS34A	VS34FA
				○	○	○	○



⑥ RS34L/VS34L-A,FA CONNECTIONS 結線図

RS34	RS34S	RS34L	RS34LS	RS34A	VS34FA
				○	○
				○	○

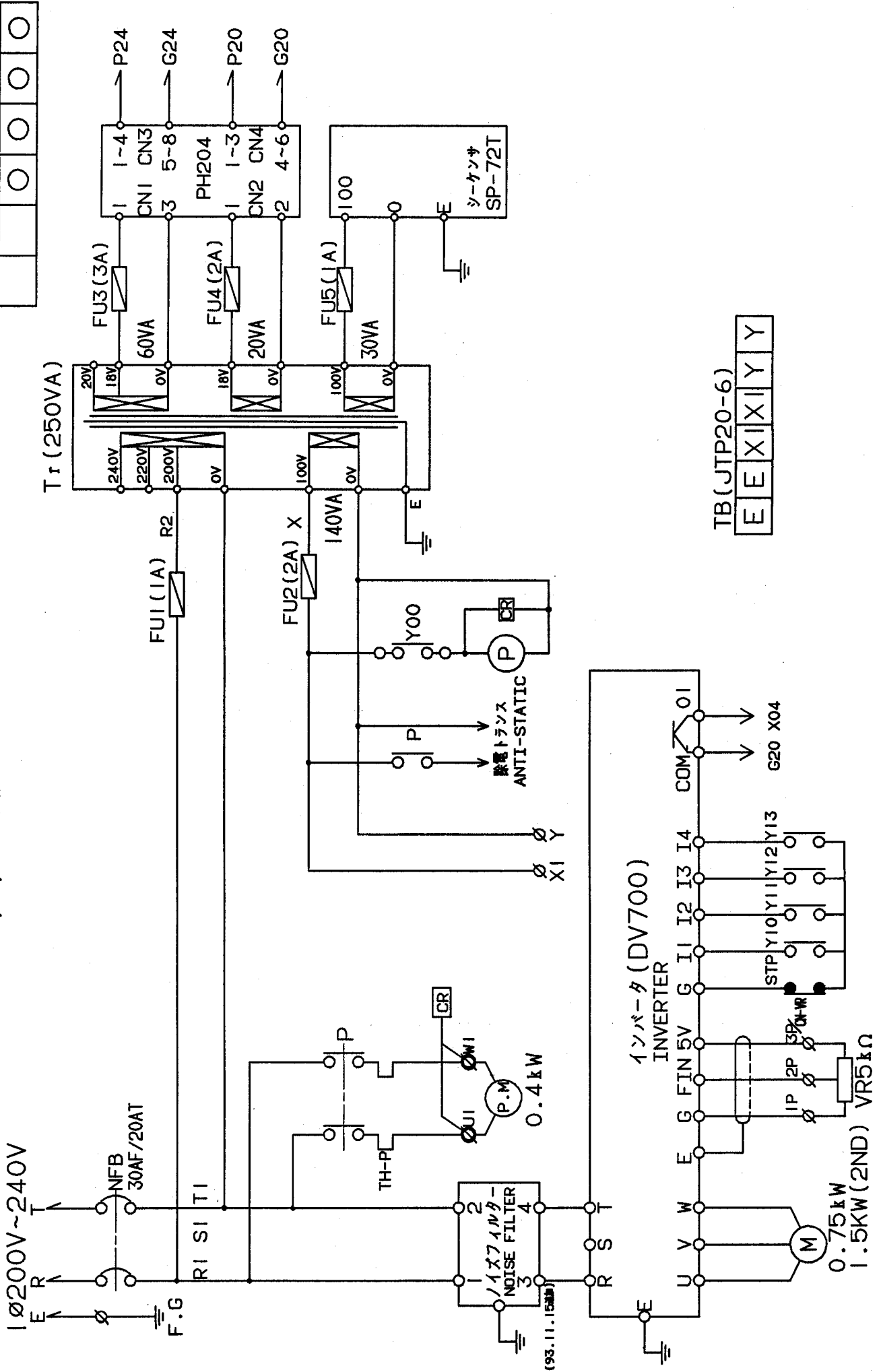


TB (JTP20-6)

E	X	I	X	I	Y	Y
---	---	---	---	---	---	---

⑦ RS34L/VS34L-A,FA CONNECTIONS
RS34L/VS34L-A,FA 結線図

RS34	RS34S	RS34L	RS34LS	RS34S	RS34FA
VS34	VS34S	VS34L	VS34LS	VS34A	VS34FA
				○	○
				○	○

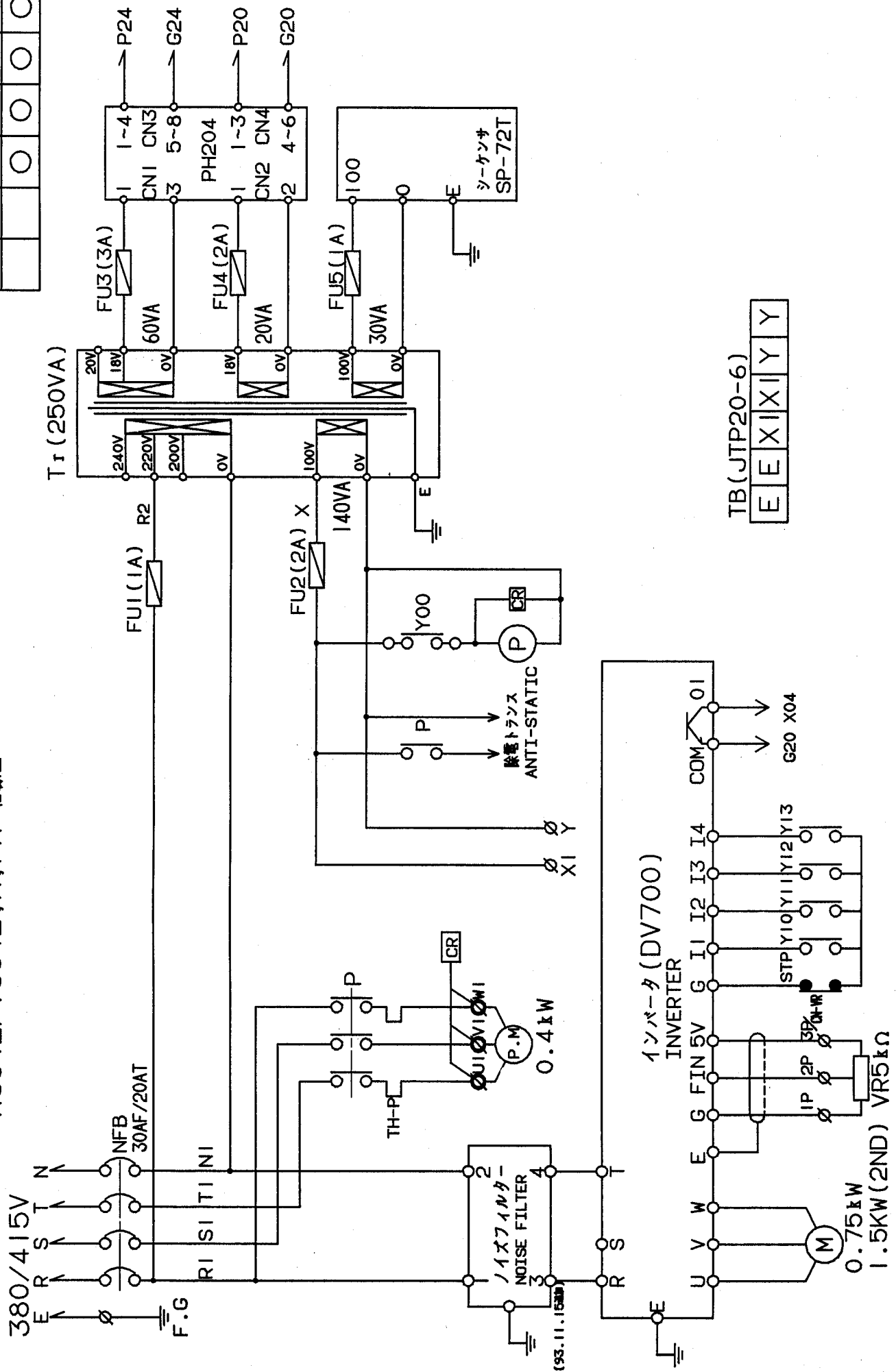


TB (JTP20-6)

E	E	X	X	Y	Y
---	---	---	---	---	---

⑧ RS34L/VS34L-A,FA CONNECTIONS 結線図

RS34	RS34S	RS34L	RS34LS	VS34A	VS34FA
VS34	VS34S	VS34L	VS34LS	○	○
				○	○



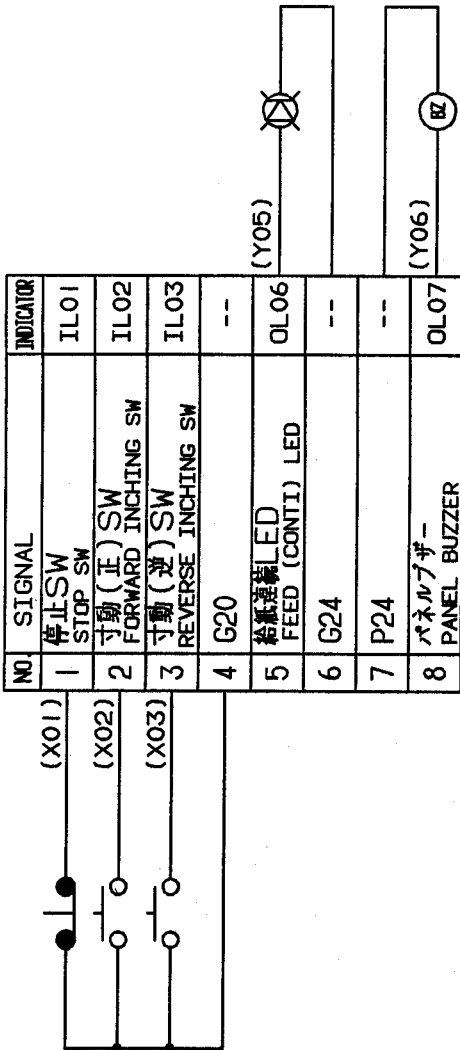
TB (JTP20-6)

E	E	X	I	X	I	Y	Y
---	---	---	---	---	---	---	---

⑨ RS34L/VS34L, A, FA CONNECTION (No.1)

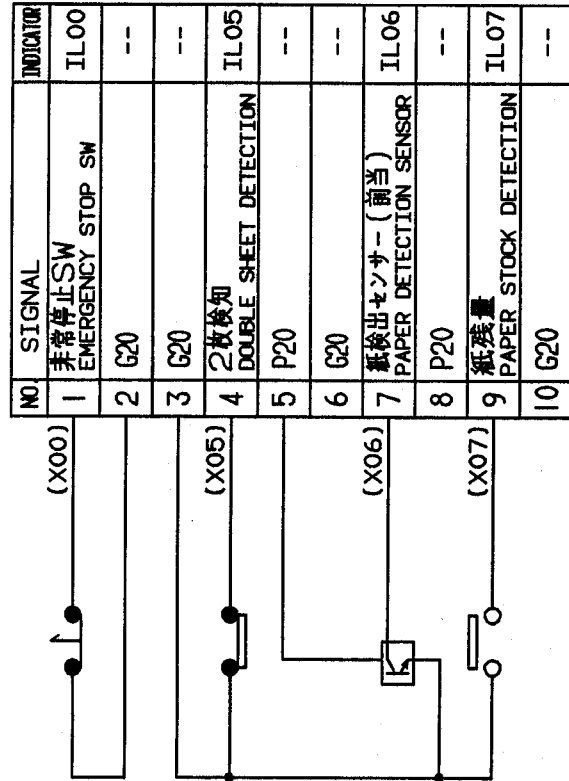
RS34 VS34	RS34S VS34S	RS34L VS34L	RS34LS VS34LS	VS34A	VS34FA
			○	○	○

C-PAI



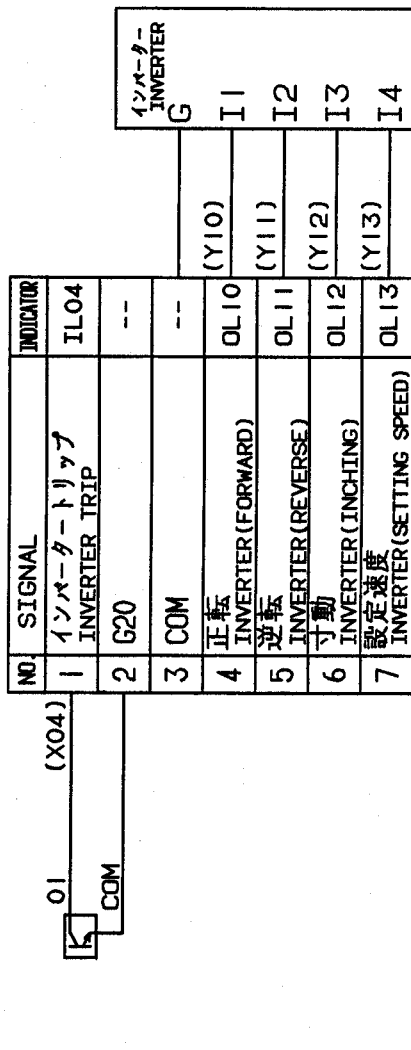
NO.	SIGNAL	INDICATOR
1	停止SW STOP SW	IL01
2	寸動(正)SW FORWARD INCHING SW	IL02
3	寸動(逆)SW REVERSE INCHING SW	IL03
4	G20	--
5	給紙連続LED FEED (CONTI.) LED	OL06
6	G24	--
7	P24	--
8	パネルブザー PANEL BUZZER	OL07

CN-20



NO.	SIGNAL	INDICATOR
1	非常停止SW EMERGENCY STOP SW	IL00
2	G20	--
3	G20	--
4	2枚検知 DOUBLE SHEET DETECTION	IL05
5	P20	--
6	G20	--
7	紙検出センサー(前当) PAPER DETECTION SENSOR	IL06
8	P20	--
9	紙残量 PAPER STOCK DETECTION	IL07
10	G20	--

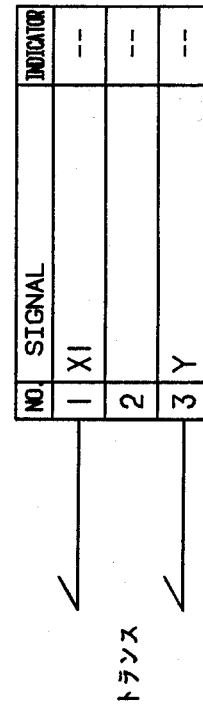
CN-25



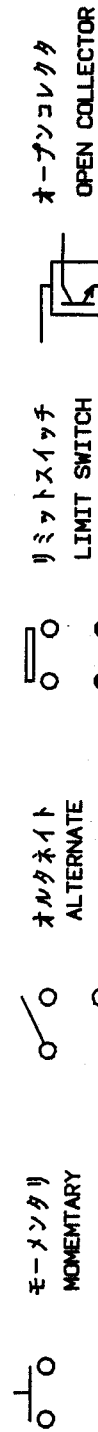
NO.	SIGNAL	INDICATOR
1	インバータートリップ INVERTER TRIP	IL04
2	G20	--
3	COM	--
4	正転 INVERTER(FORWARD)	OL10
5	逆転 INVERTER(REVERSE)	OL11
6	寸動 INVERTER(INCHING)	OL12
7	設定速度 INVERTER(SETTING SPEED)	OL13

インバーター INVERTER
G
I1
I2
I3
I4

CN-28



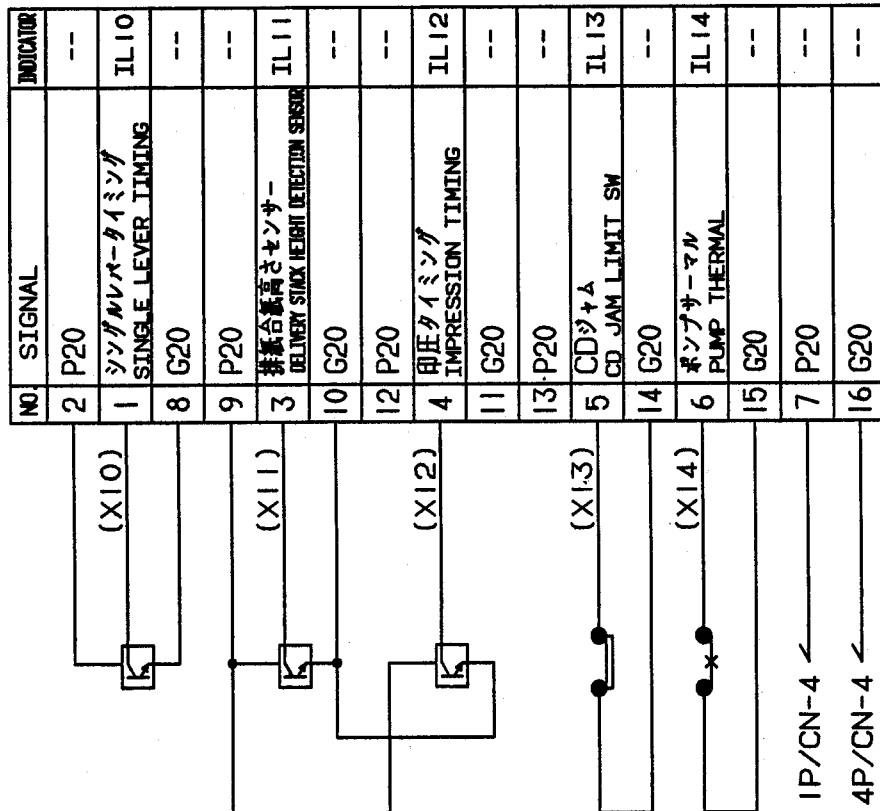
NO.	SIGNAL	INDICATOR
1	X1	--
2		--
3	Y	--



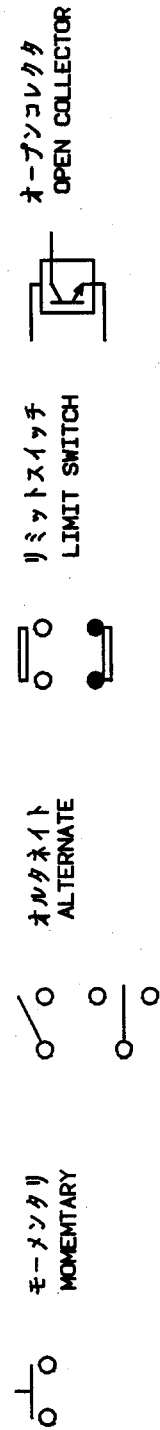
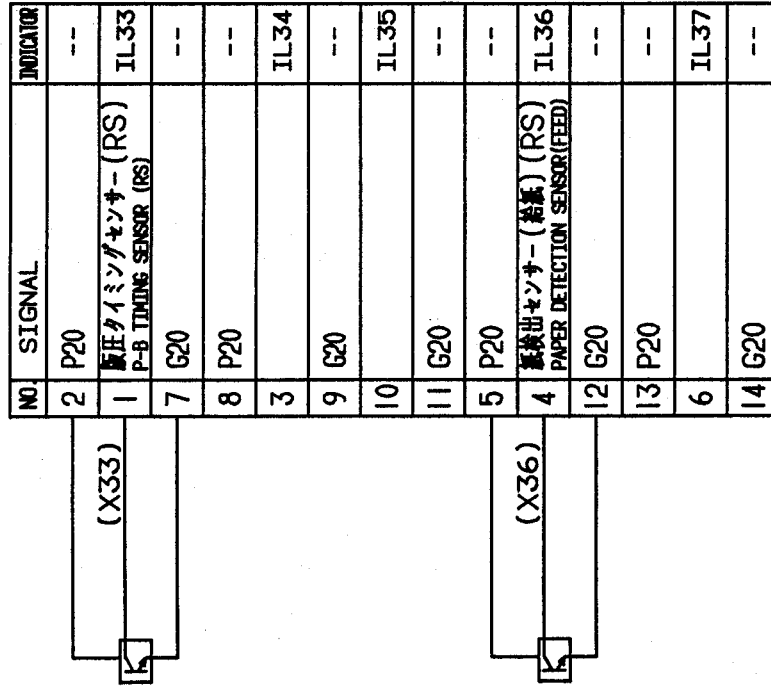
⑩ RS34L/VS34L CONNECTION (No.2)
RS34L/VS34Lコネクタ表 (No.2)

RS34	RS34S	RS34L	RS34LS	VS34A	VS34FA
VS34	VS34S	VS34L	VS34LS		
			○	○	

CN-21



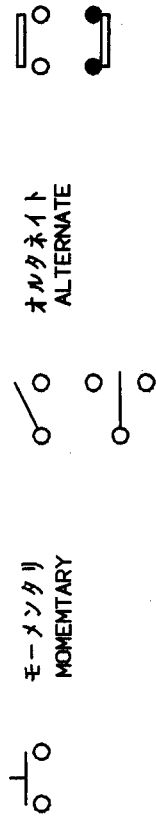
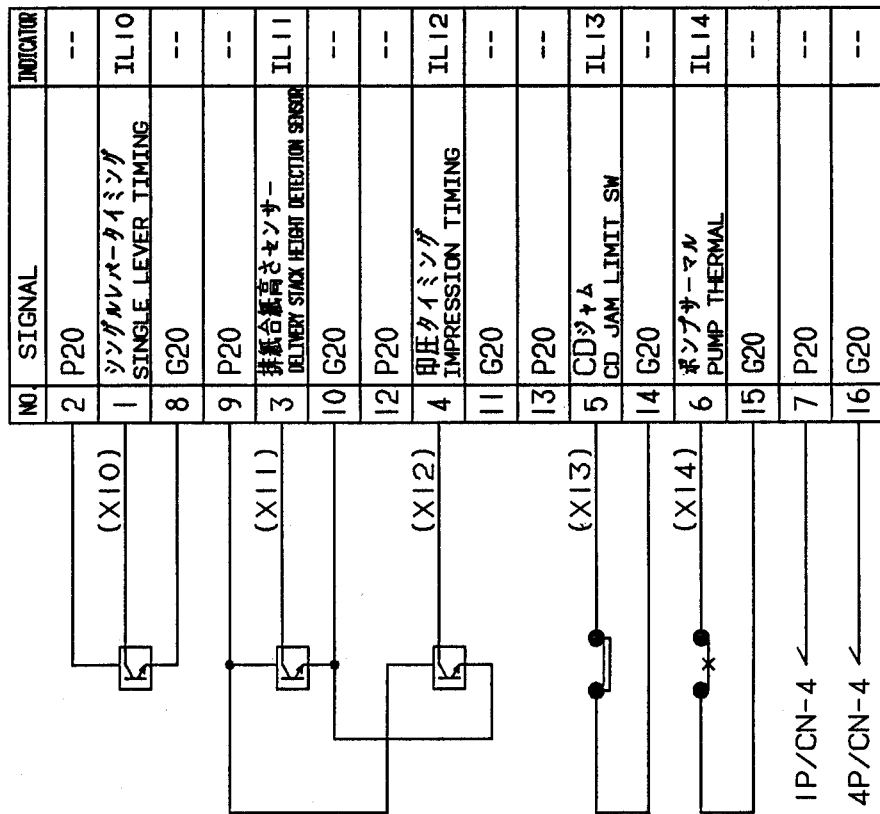
CN-23



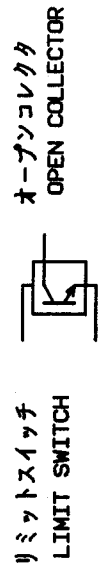
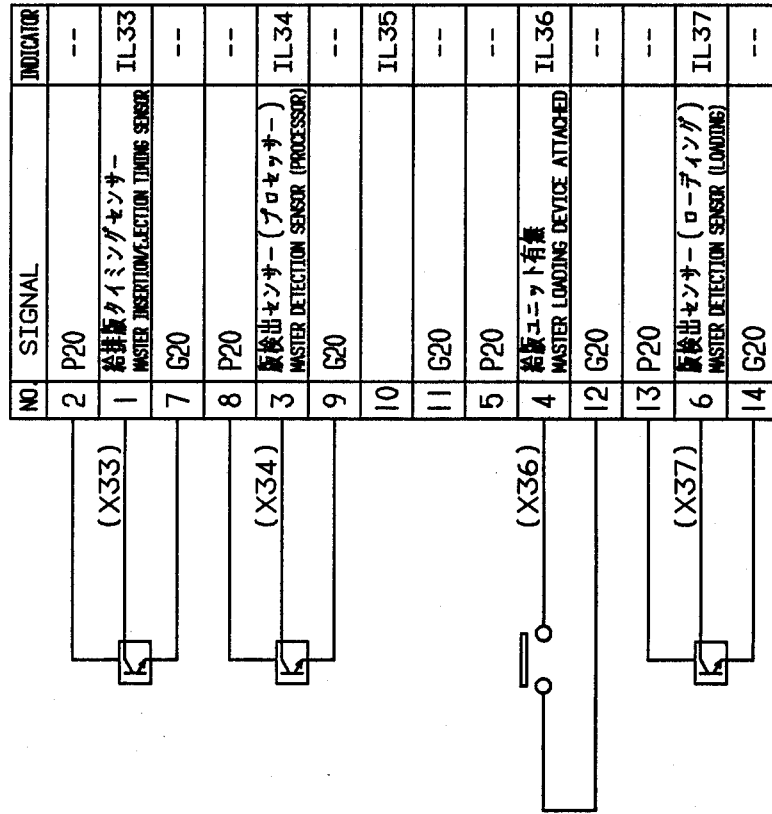
① VS34A, FA CONNECTION (No.2)
 ① VS34A, FAコネクタ表 (No.2)

RS34	RS34S	RS34L	RS34LS	VS34A	VS34FA
VS34	VS34S	VS34L	VS34LS	○	○

CN-21



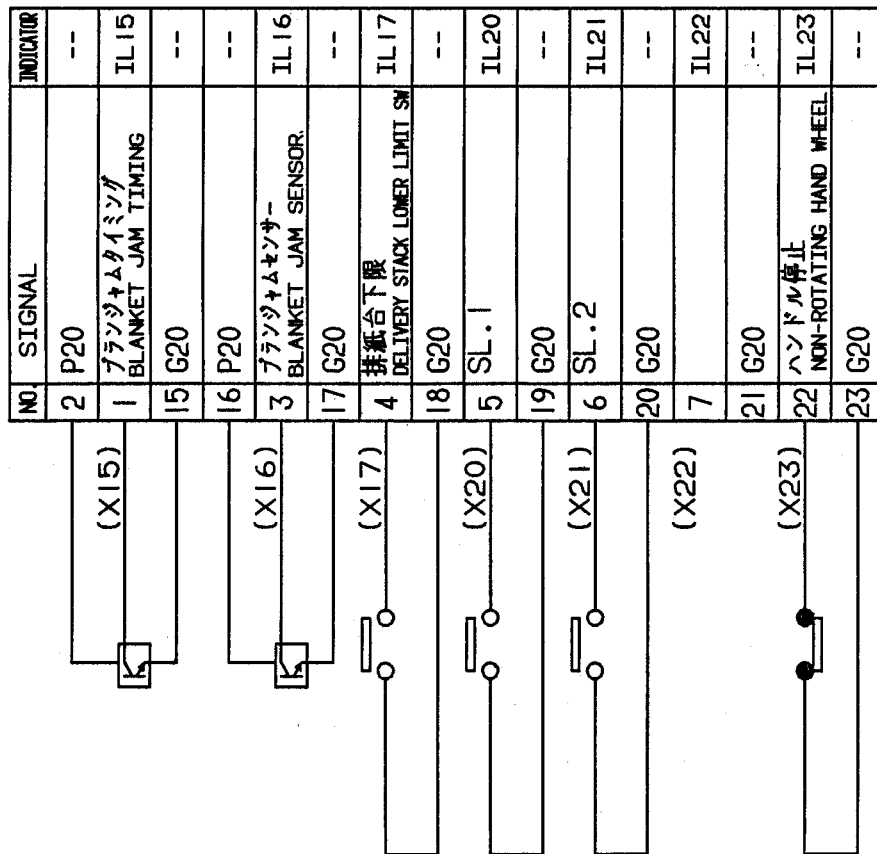
CN-23



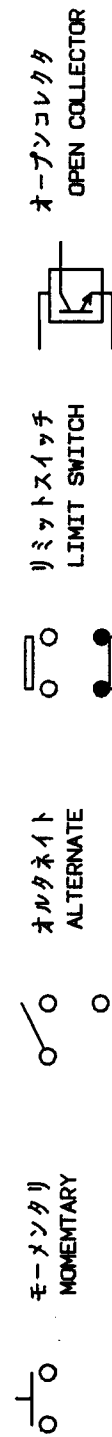
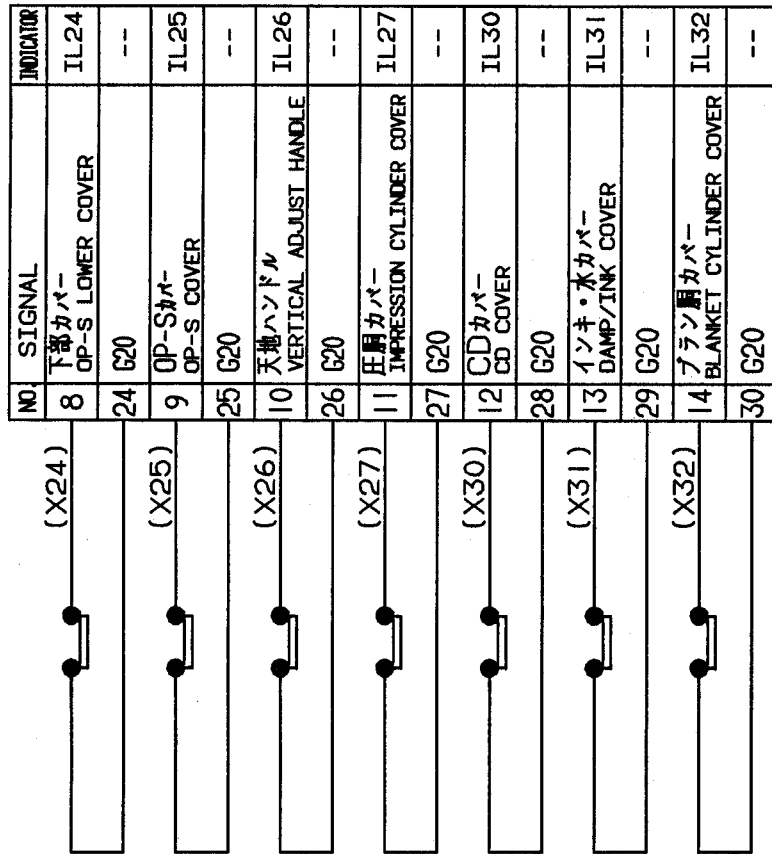
⑫ RS34L/VS34L,A,FA CONNECTION (No.3)
RS34L/VS34L,A,FA コネクタ表 (No.3)

RS34	RS34S	RS34L	RS34LS	VS34A	VS34FA
VS34	VS34S	VS34L	VS34LS	VS34A	VS34FA
		○	○	○	○

CN-22



CN-22



⑬ RS34L/VS34L CONNECTION (No.4)
RS34L/VS34Lコネクタ表 (No.4)

RS34	RS34S	RS34L	RS34LS	RS34A	VS34FA
VS34	VS34S	VS34L	VS34LS	VS34A	VS34FA
			○	○	○
			○	○	○

CN-24

NO.	SIGNAL	INDICATOR
1	2ND SL.1	IL37
11	G20	--
2	2ND SL.2	IL40
12	G20	--
3		IL41
13	G20	--
4	セカンド有無 2ND ON/OFF DETECTION	IL42
14	G20	--
5	OP-カバー OP-S COVER	IL43
15		--
16	M-カバー M-S COVER	IL43
17	G20	--
10	P20	--
6	2ND SLタイミン 2ND SINGLE LEVER TIMING	IL44
18	G20	--

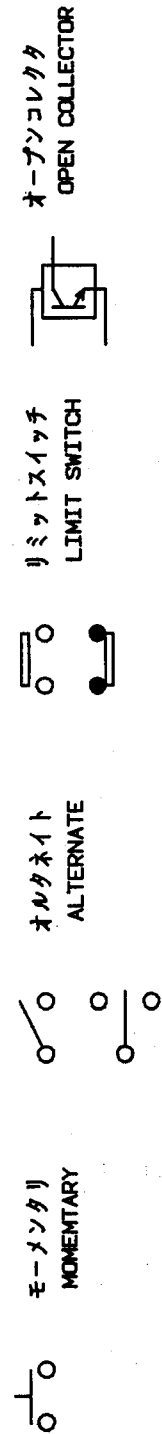
CN-24

NO.	SIGNAL	INDICATOR
7	2NDカバー 2ND DAMP/TNK COVER	IL45
19	G20	--
8		IL46
20	G20	--
9		IL47
21	G20	--
22	P20	--

CN-28

NO.	SIGNAL	INDICATOR
1	X1	--
2		--
3	Y	--

トランス



⑭ RS34L/VS34L CONNECTION (No.5)
RS34L/VS34Lコネクタ表 (No.5)

RS34 VS34	RS34S VS34S	RS34L VS34L	RS34LS VS34LS	VS34A	VS34FA
		○	○		

CN-26

NO	SIGNAL	INDICATOR
15	G24	--
1	トータルカウンタ TOTAL COUNTER	OL14
16	G24	--
2	給紙SOL PAPER FEED SOL	OL15
17	G24	--
3	エア吹きSOL AIR BLOWING SOL	OL16
18	G24	--
4	排紙台下降SOL DELIVERY STACK LOWER SOL	OL17
19	G24	--
5	水かけSOL DAMPENING DUCTOR SOL	OL20
20	G24	--
6	インキかけSOL INK DUCTOR SOL	OL21
21	G24	--
7	ブランケット洗浄ポンプ BLANKET CLEANING PUMP	OL22
23		--
22		OL23

CN-26

NO	SIGNAL	INDICATOR
24	G24	--
8		OL24
25	G24	--
9	2ND水かけSOL 2ND DAMPENING DUCTOR SOL	OL25
26	G24	--
10	2NDインキかけSOL 2ND INK DUCTOR SOL	OL26
27	G24	--
11	カウンタ COUNT	OL27
28		--
12	テープインサート TAPE INSERTER	OL30
29	G24	--
13	印圧SOL IMPRESSION SOL	OL31
30	G24	--
14	P24	--



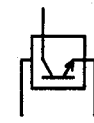
モーメンタリ
MOMENTARY



オルタネイト
ALTERNATE



リミットスイッチ
LIMIT SWITCH



オープンコレクタ
OPEN COLLECTOR

VS34A, FA CONNECTION (No. 5)
 ⑮ VS34A, FAコネクタ表 (No. 5)

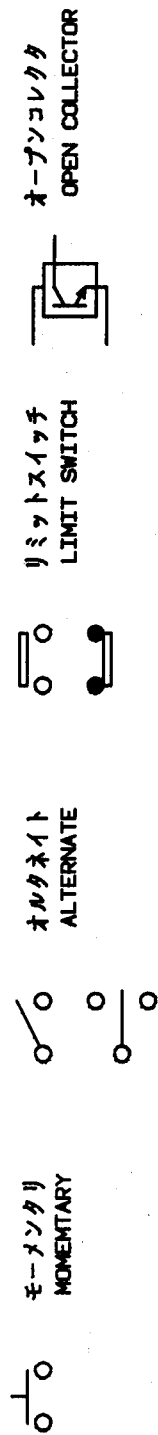
RS34	RS34S	RS34L	RS34LS	VS34A	VS34FA
VS34	VS34S	VS34L	VS34LS		
				○	○

CN-26

NO.	SIGNAL	INDICATOR
15	G24	--
1	トータルカウンタ TOTAL COUNTER	OL14
16	G24	--
2	給紙SOL PAPER FEED SOL	OL15
17	G24	--
3	エア吹きSOL AIR BLOWING SOL	OL16
18	G24	--
4	搬送台下SOL DELIVERY STACK LOWER SOL	OL17
19	G24	--
5	減速SOL DAMPING DUCTOR SOL	OL20
20	G24	--
6	インキSOL INK DUCTOR SOL	OL21
21	G24	--
7	ブランケットポンプ BLANKET CLEANING PUMP	OL22
23		--
22		OL23

CN-26

NO.	SIGNAL	INDICATOR
24	G24	--
8		OL24
25	G24	--
9		OL25
26	G24	--
10	マスターSOL MASTER FEED SOL	OL26
27	G24	--
11		OL27
28		--
12	テープ挿入SOL TAPE INSERTER	OL30
29	G24	--
13	印字SOL IMPRESSION SOL	OL31
30	G24	--
14	P24	--



RS34L/VS34L CONNECTION (No.6)
RS34L/VS34Lコネクタ表 (No.6)

RS34	RS34S	RS34L	RS34LS	VS34A	VS34FA
VS34	VS34S	VS34L	VS34LS	VS34A	VS34FA
		○	○		

CN-27

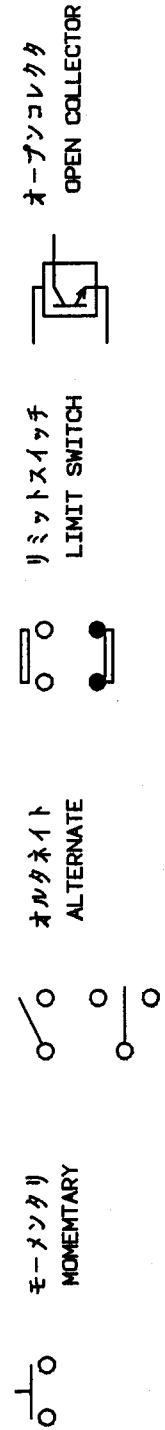
NO.	SIGNAL	INDICATOR
11	Y	--
1	ポンプマグネット PUMP MAGNET	OL00
12	Y	--
2	スプレーバルブ SPRAY VALVE	OL01
13	Y	--
3	1号SOL P-B SOL	OL02
14	Y	--
4	シングルレバー SINGLE LEVER SOL	OL03
15	Y	--
5	ブランケット BLANKET CLEANING SOL	OL04
17	Y	--
16	2枚検出 DOUBLE SHEET DETECTION SOL	OL32
18	Y	--
6	2号SOL 2ND P-B SOL	OL33

CN-27

NO.	SIGNAL	INDICATOR
19	Y	--
7	ジャムストッパー JAM STOPPER SOL (RS)	OL34
20	Y	--
8	2号シングルレバー 2ND SINGLE LEVER SOL	OL35
21	Y	--
9		OL36
22		--
10		OL37

CN-29

NO.	SIGNAL	INDICATOR
1	除電 ANTI-STATIC	OL05
2		--
3	Y	--



⑰ VS34A, FA CONNECTION (No.6)
VS34A, FAコネクタ表 (No.6)

RS34	RS34S	RS34L	RS34LS	RS34A	VS34FA
VS34	VS34S	VS34L	VS34LS	VS34A	VS34FA

CN-27

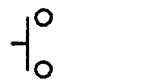
NO.	SIGNAL	INDICATOR
11	Y	--
1	ポンプマグネット PUMP MAGNET	OL00
12	Y	--
2	スプレーバルブ SPRAY VALVE	OL01
13	Y	--
3	高圧SOL P-B SOL	OL02
14	Y	--
4	シングルレバーSOL SINGLE LEVER SOL	OL03
15	Y	--
5	ブランケットSOL BLANKET CLEANING SOL	OL04
17	Y	--
16	2枚検出SOL DOUBLE SHEET DETECTION SOL	OL32
18	Y	--
6	挿入SOL MASTER INSERTION SOL	OL33

CN-27

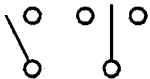
NO.	SIGNAL	INDICATOR
19	Y	--
7	排紙SOL MASTER EJECTION SOL	OL34
20	Y	--
8	排紙SOL MASTER EJECTION SOL	OL35
21	Y	--
9	搬送りモーター MASTER FEED MOTOR	OL36
22		--
10		OL37

CN-29

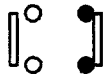
NO.	SIGNAL	INDICATOR
1	除電 ANTI-STATIC	OL05
2		--
3	Y	--



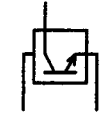
モーメンタリ
MOMENTARY



オルタネイト
ALTERNATE



リミットスイッチ
LIMIT SWITCH



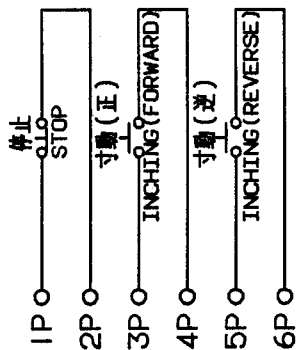
オープンコレクタ
OPEN COLLECTOR

⑱ RS34L/VS34L, A, FA CONNECTION (No. 7)
RS34L/VS34L, A, FA コネクタ表 (No. 7)

RS34	RS34S	RS34L	RS34LS	VS34A	VS34FA
VS34	VS34S	VS34L	VS34LS	○	○
				○	○

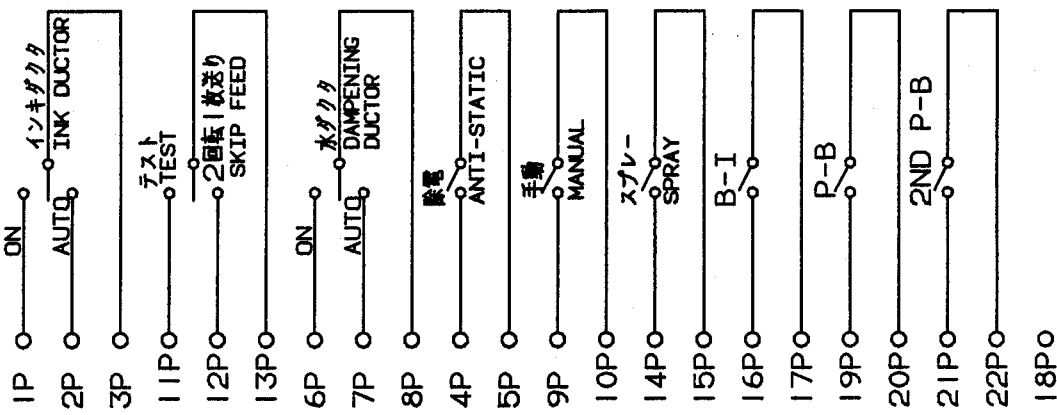
主操作パネル
MAIN CONTROL PANEL

C-PB1



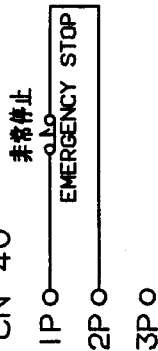
補助パネル
SUB-PANEL

C-PB20



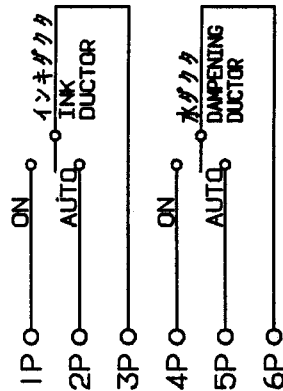
補助パネル
SUB-PANEL

CN-40



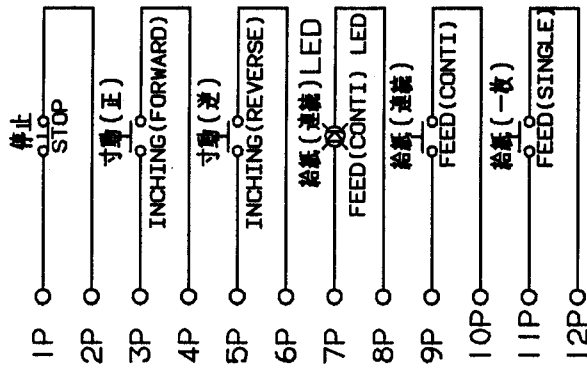
2NDパネル
2ND PANEL

C-PB4



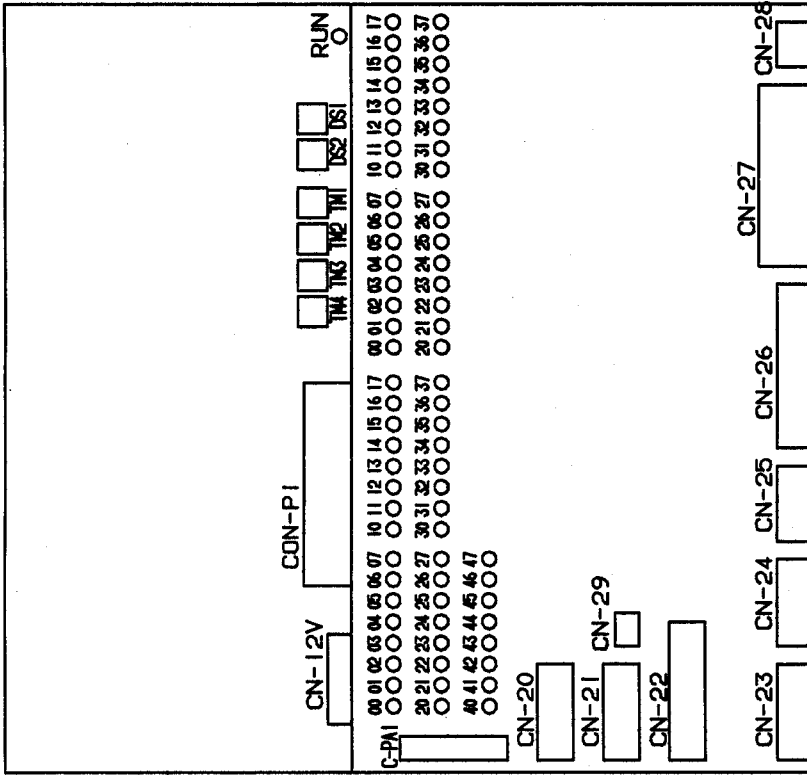
給紙部パネル (RS)
FEED PANEL (RS)

C-PB2



RS34L/VS34L CONNECTOR/LED
 RS34L/VS34L コネクター、インジケータLED配置図

仕舞一桁	番号(部材)	
IL00	非常停止SW EMERGENCY STOP SW	X00
01	停止SW STOP SW	X01
02	寸進(正)SW FORWARD INCHING SW	X02
03	寸進(逆)SW REVERSE INCHING SW	X03
04	インバータリフト INVERTER TRIP	X04
05	2枚検出 DOUBLE SHEET DETECTION	X05
06	紙検出センサー(前部) PAPER DETECTION SENSOR	X06
07	紙検出 PAPER STOCK HEIGHT DETECTION	X07
10	シングルレバータイミングセンサー SINGLE LEVER TIMING SENSOR	X10
11	積層台高さセンサー DELIVERY STACK HEIGHT DETECTION SENSOR	X11
12	印圧タイミングセンサー IMPRESSION TIMING SENSOR	X12
13	CDセンサー CD JAM LIMIT SW	X13
14	ポンプサーマル PUMP THERMAL	X14
15	ブランケットタイミングセンサー BLANKET JAM TIMING SENSOR	X15
16	積層台タイミングセンサー BLANKET JAM SENSOR	X16
17	積層台下限 DELIVERY STACK LOWER LIMIT SW	X17
20	SL1	X20
21	SL2	X21
22		X22
23	ハンドル停止 NON-ROTATING HAND WHEEL	X23
24	下巻カバー OP-S LOWER COVER	X24
25	OP-Sカバー OP-S COVER	X25
26	垂直調整ハンドル VERTICAL ADJUST HANDLE	X26
27	圧縮カバ IMPRESSION CYLINDER COVER	X27
30	CDカバー CD COVER	X30
31	インキ・ホカバ DAMP/INK COVER	X31
32	ブランケット BLANKET CYLINDER COVER	X32
33	積層タイミングセンサー(RS) P-B TIMING SENSOR (RS)	X33
34		
36	積層出センサー(積層) PAPER DETECTION SENSOR(FEED)	X36
37	2ND SL1	X37



TM1: 水着回転数
DAMPENING
TM2: インキ着回転数
INKING
TM3: P-B着回転数
P-B PRESSURE

40	2ND SL2	X40
41		X41
42	2ND検出 2ND ON/OFF DETECTION	X42
43	2ND OP-Sカバー 2ND OP-S COVER	X43
44	2NDシングルレバータイミング 2ND SINGLE LEVER TIMING	X44
45	2NDインキ・ホカバ 2ND DAMP/INK COVER	X45
46		X46
47		

仕舞一桁	番号(部材)				
RS34	RS34S	RS34L	RS34LS	VS34A	VS34FA
VS34	VS34S	VS34L	VS34LS		
				○	○

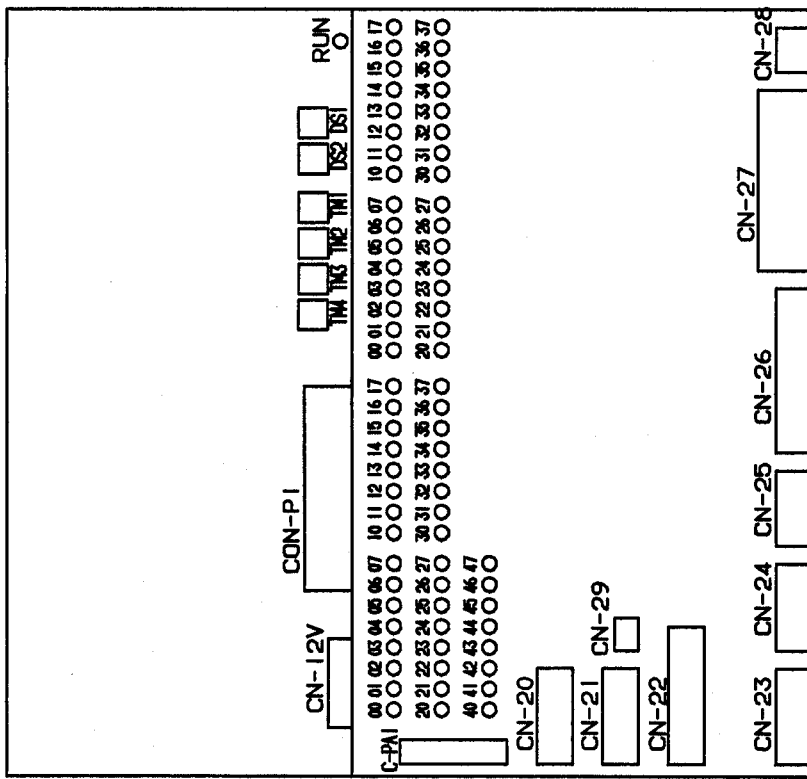
仕舞一桁	番号(部材)	
OL00	ポンプマグネット PUMP MAGNET RELAY	Y00
01	スプレーバルブ SPRAY VALVE	Y01
02	戻りバルブ P-B SOL	Y02
03	シングルレバータイミング SINGLE LEVER SOL	Y03
04	ブランケット洗浄バルブ BLANKET CLEANING SOL	Y04
05	積層トランス ANTI-STATIC	Y05
06	積層台LED FEED (CONTI) LED	Y06
07	パネルブザー PANEL BUZZER	Y07
10	インバーター(正転) INVERTER(FORWARD)	Y10
11	インバーター(逆転) INVERTER(REVERSE)	Y11
12	インバーター(寸進) INVERTER(INCHING)	Y12
13	インバーター(積層速度) INVERTER(SETTING SPEED)	Y13
14	トータルカウンタ TOTAL COUNTER	Y14
15	紙巻バルブ PAPER FEED SOL	Y15
16	エア吹バルブ AIR BLOWING SOL	Y16
17	積層台下限バルブ DELIVERY STACK LOWER SOL	Y17
20	水バルブ DAMPENING DUCTOR SOL	Y20
21	インキバルブ INK DUCTOR SOL	Y21
22	ブランケット洗浄ポンプ BLANKET CLEANING PUMP	Y22
23		
24		
25	2ND水着バルブ 2ND DAMPENING DUCTOR SOL	Y25
26	2NDインキバルブ 2ND INK DUCTOR SOL	Y26
27	カウント COUNT	Y27
30	テープインサート TAPE INSERTER	Y30
31	戻りバルブ IMPRESSION SOL	Y31
32	2枚検出バルブ DOUBLE SHEET DETECTION SOL	Y32
33	2ND戻りバルブ 2ND P-B SOL	Y33
34	ジャムストップバルブ(RS) JAM STOPPER SOL (RS)	Y34
36	2NDシングルレバー 2ND SINGLE LEVER SOL	Y36

② VS34A,FA コネクター、インジケータLED配置図

仕外-机	番号名(機种)	
IL00	非常停止SW EMERGENCY STOP SW	X00
01	停止SW STOP SW	X01
02	寸進(正)SW FORWARD INCHING SW	X02
03	寸進(逆)SW REVERSE INCHING SW	X03
04	インバータリフト INVERTER TRIP	X04
05	2枚検知 DOUBLE SHEET DETECTION	X05
06	紙検出センサ-(前送) PAPER DETECTION SENSOR	X06
07	紙検知 PAPER STOCK HEIGHT DETECTION	X07
10	シングルレバータイミングセンサ- SINGLE LEVER TIMING SENSOR	X10
11	送紙検知センサ- DELIVERY SINK HEIGHT DETECTION SENSOR	X11
12	圧力タイミングセンサ- IMPRESSION TIMING SENSOR	X12
13	CDリミット CD JAM LIMIT SW	X13
14	ポンプサーマル PUMP THERMAL	X14
15	ブランケットジャムタイミングセンサ- BLANKET JAM TIMING SENSOR	X15
16	ブランケットジャムセンサ BLANKET JAM SENSOR	X16
17	送紙検知 DELIVERY STACK LOWER LIMIT SW	X17
20	SL1	X20
21	SL2	X21
22	SL3	X22
23	ノンロータリング NON-ROTATING HAND WHEEL	X23
24	下巻カバー OP-S LOWER COVER	X24
25	OP-Sカバー OP-S COVER	X25
26	天幕ハンドル VERTICAL ADJUST HANDLE	X26
27		X27
30	CDカバー CD COVER	X30
31	インキ・水カバー DAMP/INK COVER	X31
32	ブランケットサイリンドカバー BLANKET CYLINDER COVER	X32
33	送紙検知タイミングセンサ- MASTER INSERTION TIMING SENSOR	X33
34	送紙検知センサ-(プロセッサ) MASTER DETECTION SENSOR(PROCESSOR)	X34
35		X35
36	送紙検知センサ- MASTER LOADING DEVICE ATTACHED	X36
37	送紙検知センサ-(ローディング) MASTER DETECTION SENSOR(LOADING)	X37

仕外-机	番号名(機种)				
RS34 VS34	RS34S VS34S	RS34L VS34L	RS34LS VS34LS	VS34A VS34A	VS34FA VS34FA
				○	○

仕外-机	番号名(機种)	
OL00	ポンプマグネット PUMP MAGNET RELAY	Y00
01	スプレーバルブ SPRAY VALVE	Y01
02	駆動ソレノイド P-B SOL	Y02
03	シングルレバータイミングソレノイド SINGLE LEVER SOL	Y03
04	送紙検知ソレノイド BLANKET CLEANING SOL	Y04
05	送紙検知ソレノイド ANTI-STATIC	Y05
06	送紙検知LED FEED (CONTI) LED	Y06
07	パネルブザー PANEL BUZZER	Y07
10	インバーター(正転) INVERTER(FORWARD)	Y10
11	インバーター(逆転) INVERTER(REVERSE)	Y11
12	インバーター(寸進) INVERTER(INCHING)	Y12
13	インバーター(駆動速度) INVERTER(SETTING SPEED)	Y13
14	トータルカウンタ TOTAL COUNTER	Y14
15	送紙ソレノイド PAPER FEED SOL	Y15
16	エアブローソレノイド AIR BLOWING SOL	Y16
17	送紙検知ソレノイド DELIVERY STACK LOWER SOL	Y17
20	送紙検知ソレノイド DAMPENING DUCTOR SOL	Y20
21	インキ検出ソレノイド INK DETECTOR SOL	Y21
22	送紙検知ソレノイド BLANKET CLEANING PUMP	Y22
23		
24		
25		
26	駆動ソレノイド MASTER FEED SOL	Y26
27		
30	テープインサート TAPE INSERTER	Y30
31	駆動ソレノイド IMPRESSION SOL	Y31
32	2枚検知ソレノイド DOUBLE SHEET DETECTION SOL	Y32
33	送紙検知ソレノイド MASTER INSERTION SOL	Y33
34	送紙検知ソレノイド MASTER EJECTION SOL	Y34
35	送紙検知ソレノイド MASTER EJECTION SOL	Y35
36	送紙検知ソレノイド MASTER FEED MOTOR	Y36



TM1: 水着回転機
DAMPENING
TM2: インキ着回転機
INKING
TM3: P-B着回転機
P-B PRESSURE