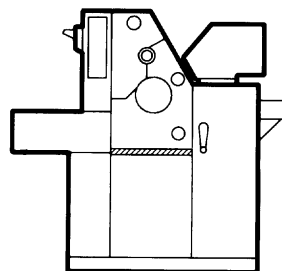
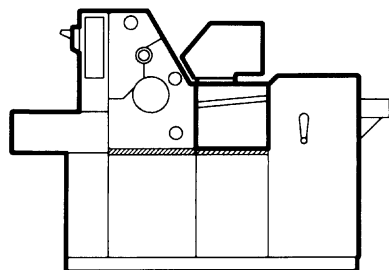


SMALL OFFSET PRESS

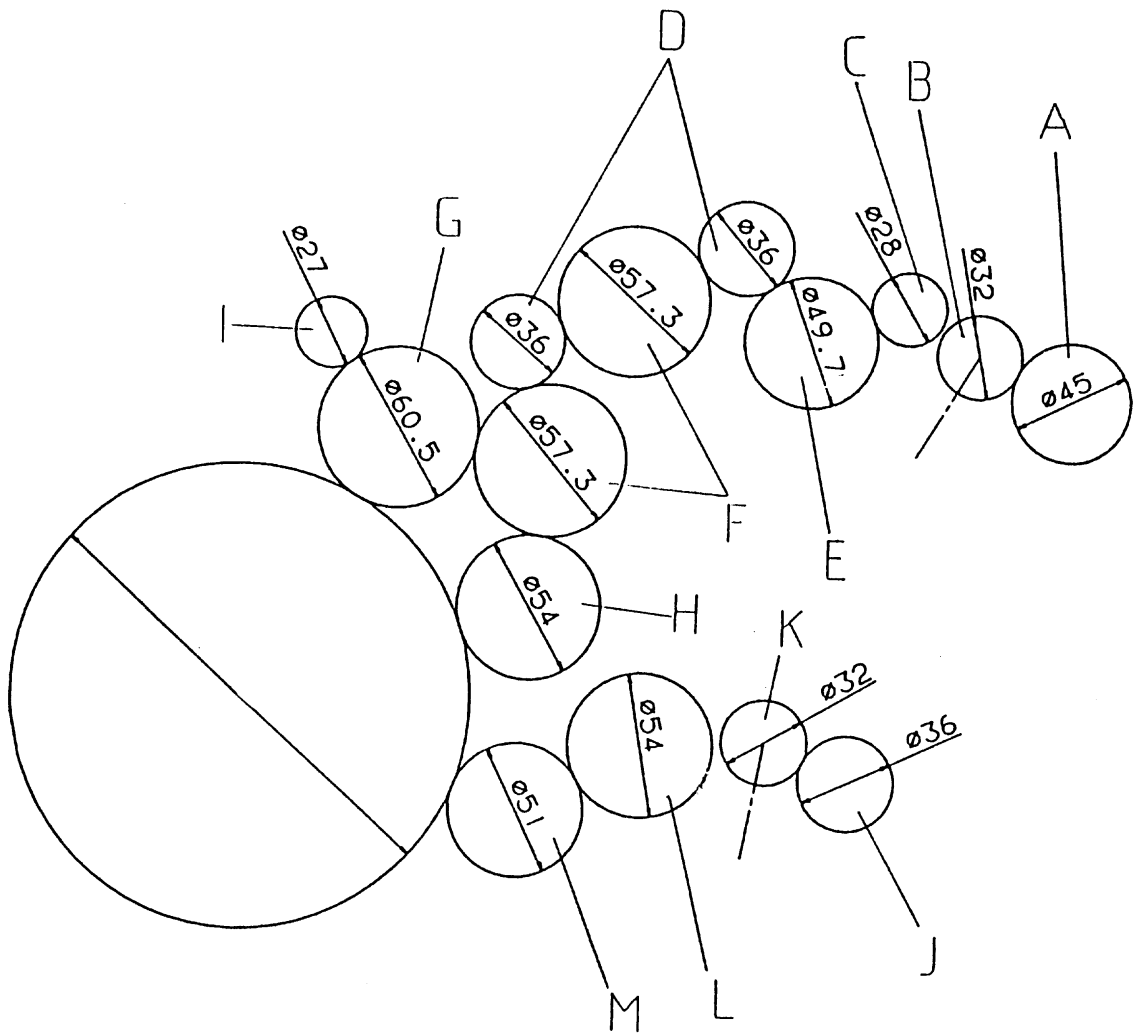
34SII-34LSII

PROVISIONAL EDITION

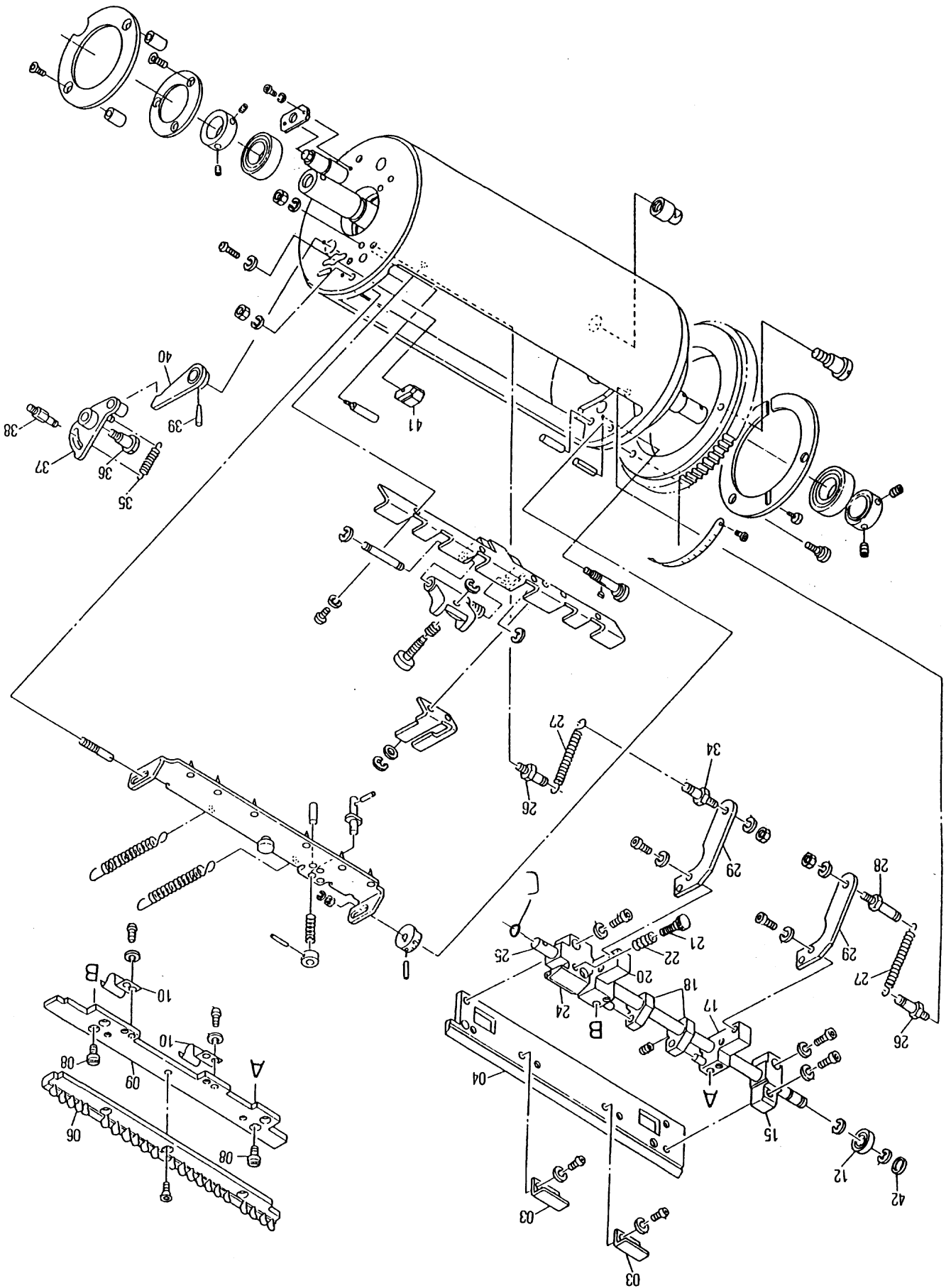


PARTS CATALOG

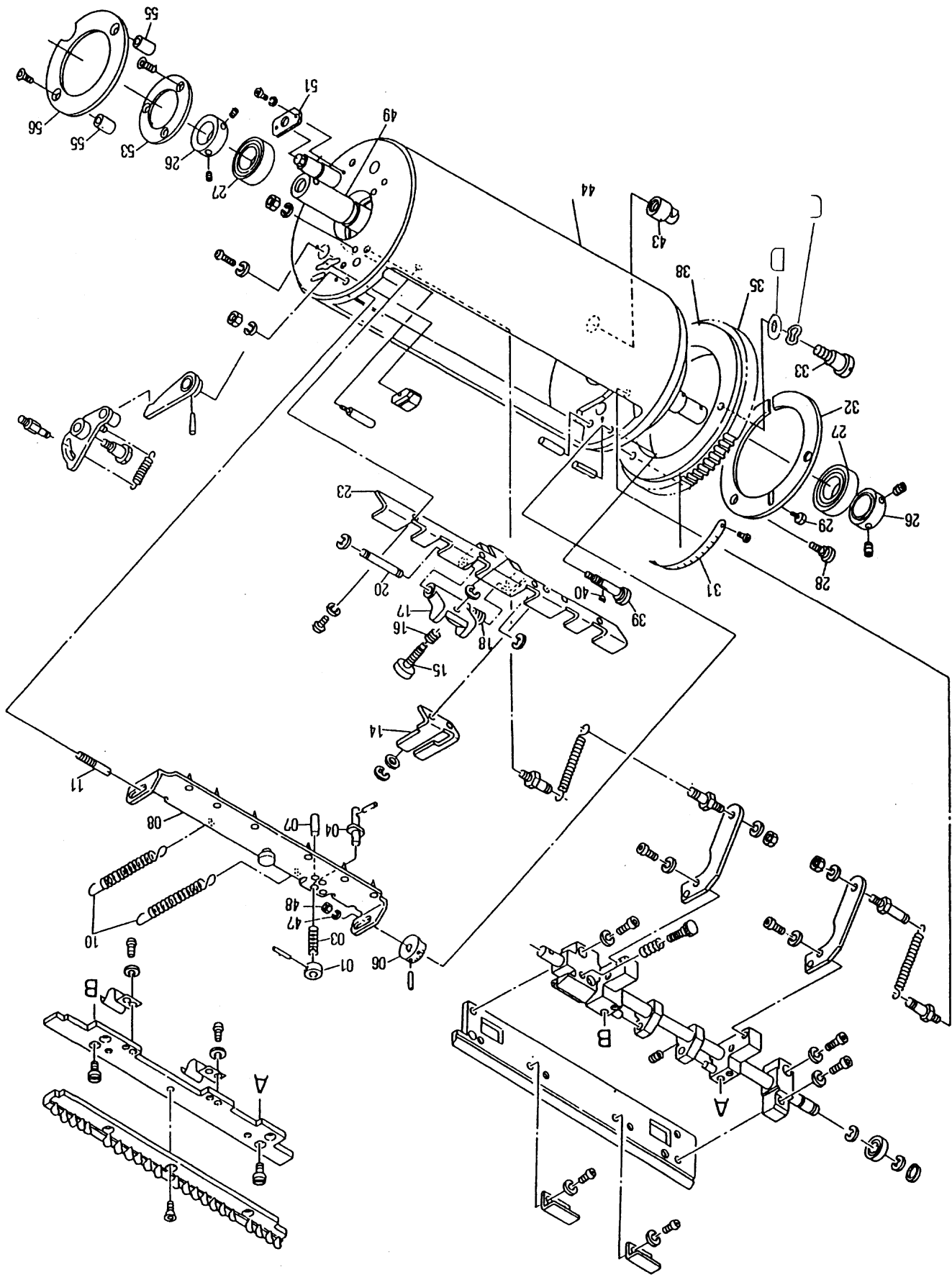




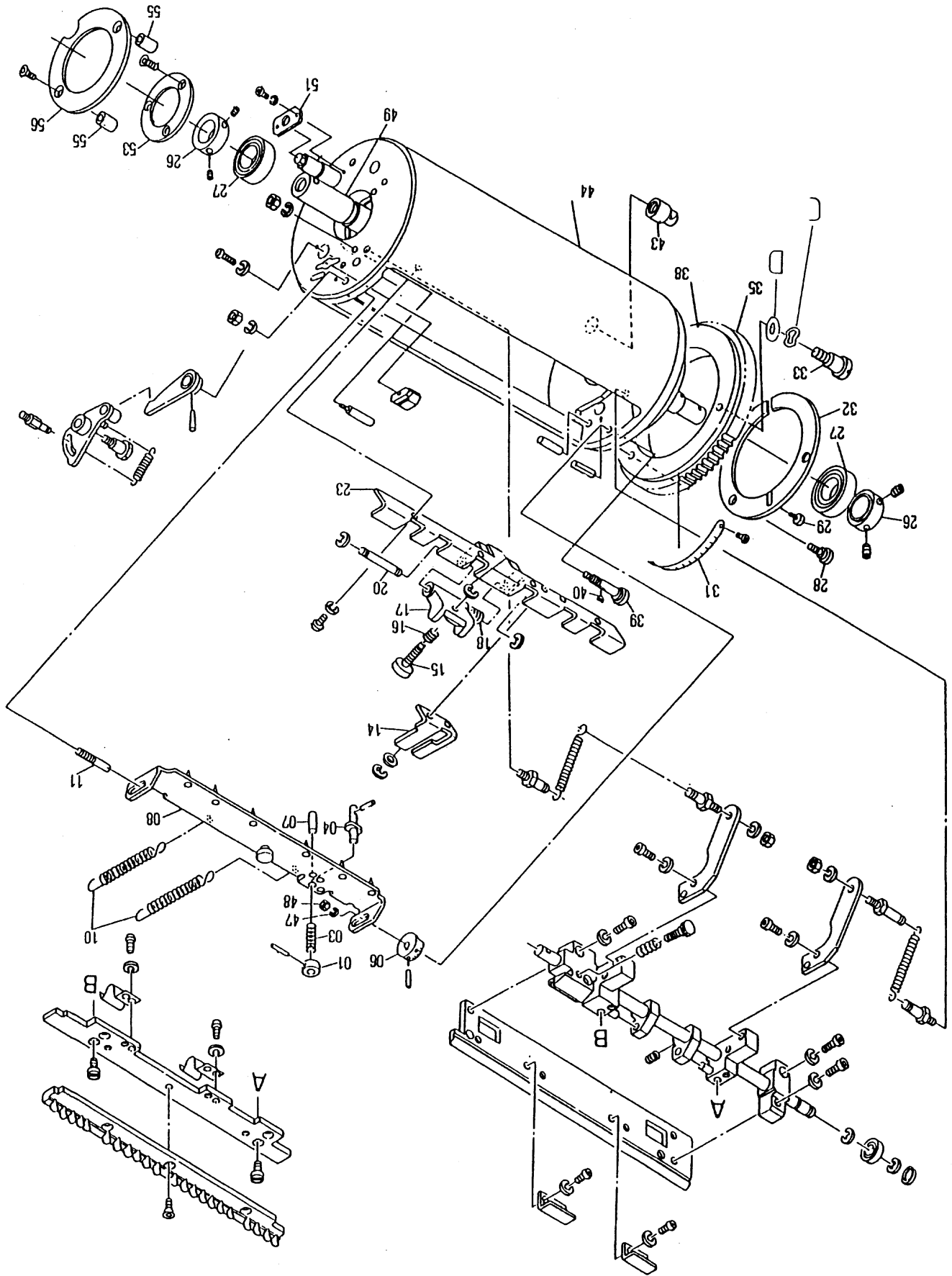
NO	片号(PARTS. NO)	DESCRIPTION
A	7503-02001	INK FOUNTAIN ROLLER
B	7403-06001	INK DUCTOR ROLLER
C	6907-03002	DISTRIBUTOR ROLLER
D	6803-04005	DISTRIBUTOR ROLLER
E	7607-03001	DISTRIBUTOR ROLLER
F	7403-04023	OSCILLATING ROLLER
G	7503-03009	2ND INK FORM ROLLER
H	7403-03008	1ST INK FROM ROLLER
I	6803-04003	IDLE ROLLER
J	6803-11037	DAMPENING FOUNTAIN ROLLER
K	6803-12070	DUCTOR ROLLER
L	7503-12014	OSCILLATING ROLLER
M	7403-12003	DAMPENING FORM ROLLER



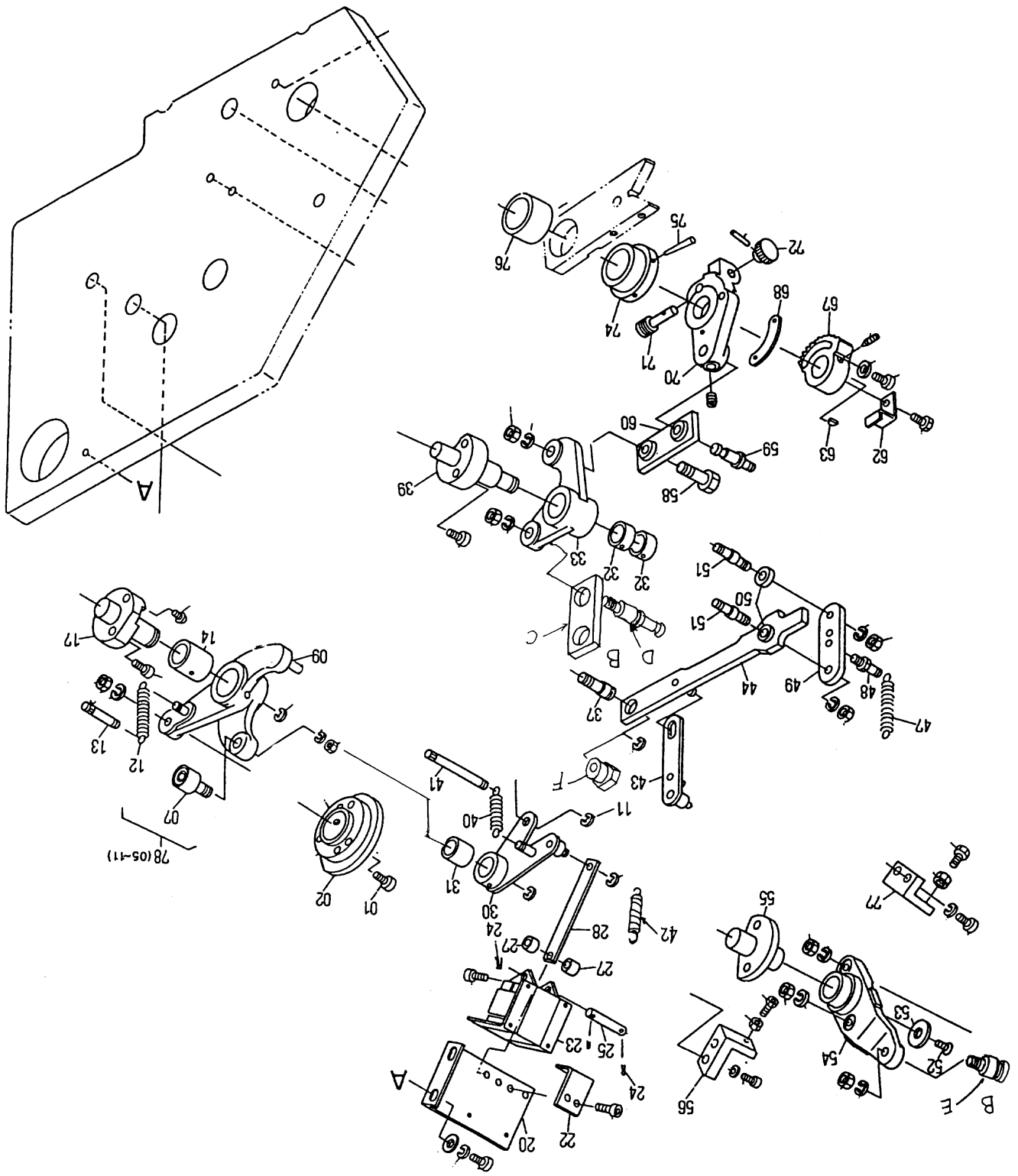
INDEX No.	Parts No.	Parts Name	Remarks
01			
02			
03	CM14-14	Stopper	
04	7602-04004	Plate	
05			
06	6902-04009	Plate Clamp	PLATE CLAMP ON CENTER
07			
08	CM14-19	Screw	
09	7602-04003	Plate	
10	CM14-50	Plate Spring	
11			
12	CM14-13	Bearing	
13			
14			
15	6902-04015	Block	
16			
17	6902-04034	Block Assy	
18	CM14-32	Block	
19			
20	6902-04033	Block Assy	
21	CM14-25	Thumb	
22	CM14-26	Spring	
23			
24	6902-04014	Block	
25	6902-04036	Shaft	
26	CM14-29	Spring Pin	
27	CM14-56	Spring	
28	6902-04010	Spring Pin	
29	6902-04023	Lever	
30			
31			
32			
33			
34	6902-04032	Spring Pin	
35	I28-31-3	Spring	
36	6902-04020	Pivot Screw	
37	6907-04015A	Lever	
38	6902-04021	Spring Pin	
39	182-166	Taper Pin	
40	6902-04022A	Lever	
41	6902-04024	Guide	
42	6907-04011	Spacer	
C	6902-04041	O Ring	



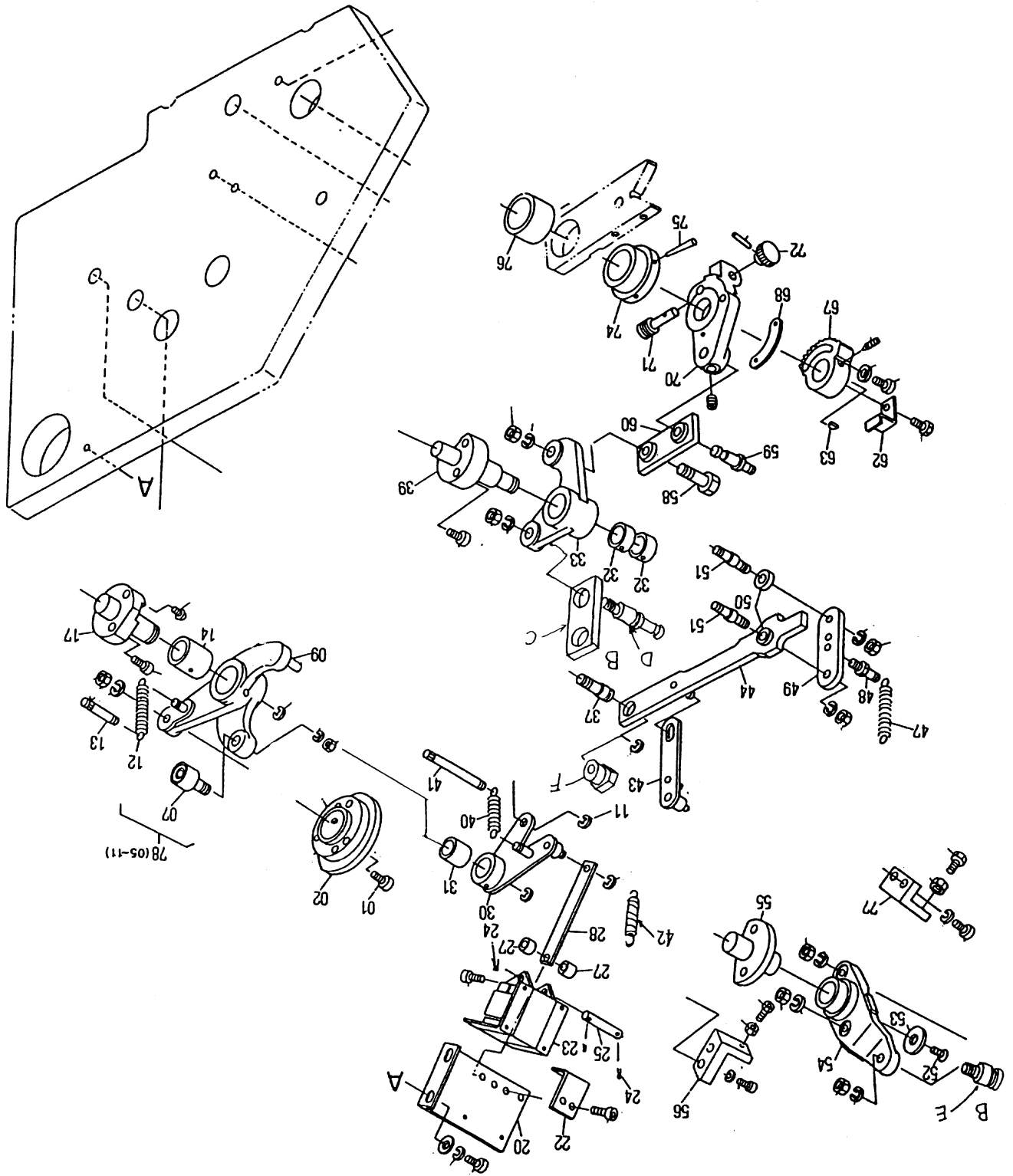
INDEX No.	Parts No.	Parts Name	Remarks
01	6902-04039	Knob	
02			
03	CM14-40	Spring	
04	6902-04040	Pin	
05			
06	6902-03058	Knob	
07	183-148	Roll Pin	
08	6907-04024A	Plate Clamp	GUIDE PLATE ON CENTER
09			
10	CM14-21	Spring	
11	6902-04016	Pin	
12			
13			
14	6902-04012	Bracket	
15	6902-04028	Thumb	
16	MC14-43	Spring	
17	CM14-47	Bracket	
18	H31-13-3	Spring	
19			
20	MC14-15	Pin	
21			
22			
23	7602-04006	Guide Plate	SUPPORT PLATE TYPE-17B-3
24			
25			
26	G22-05-01-3	Collar	
27	M22-02-3	Bearing	
28	4807-04010	Screw	
29	CM03-20	Pin	
30			
31	6907-04021	Scale	
32	4807-04005	Retainer	
33	6902-03078	Shoulder Screw	
34			
35	6907-04012	Gear	GEAR TYPE-7B-1, 7B-3
36			
37			
38	6907-04019	Plate	
39	6907-04007	Eccentric Pin	
40	I11-09-3	Key	
41			
42			
43	6907-04006	Lock Nut	
44	7607-04001	Plate Cylinder	



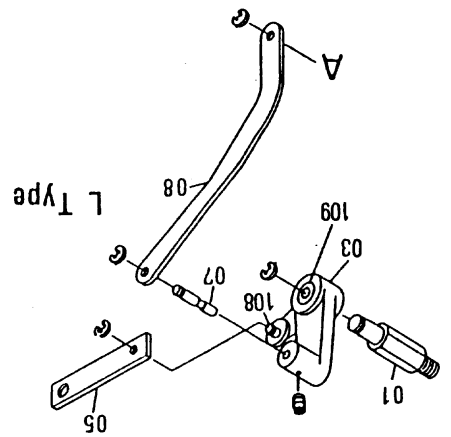
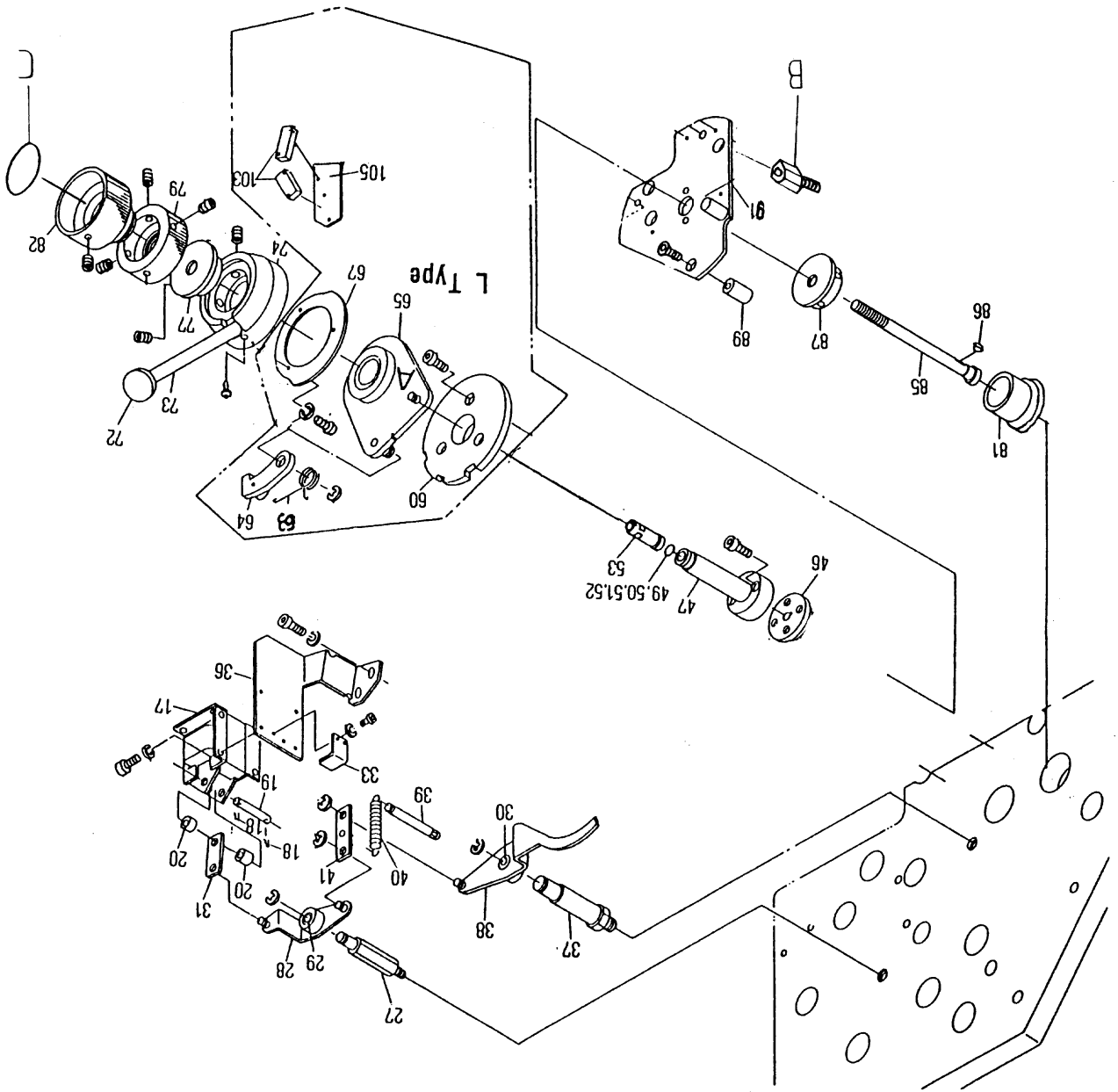
45			
46			
47			
48			
49	7607-04002	Shaft	
50			
51	6907-04014	Stopper	
52			
53	G22-06-3	Retainer	
54			
55	4207-12076	Spacer	
56	6907-04004	Plate	
57			
C	180-180	Spacer	
D	6902-03079	Spacer	



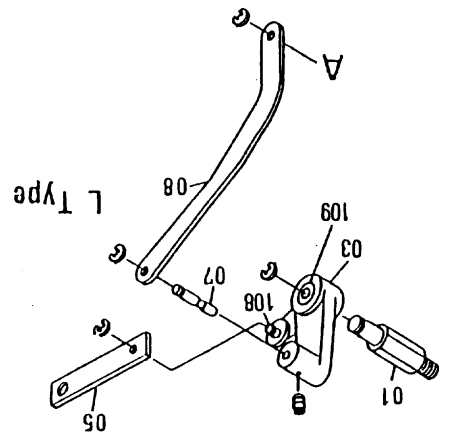
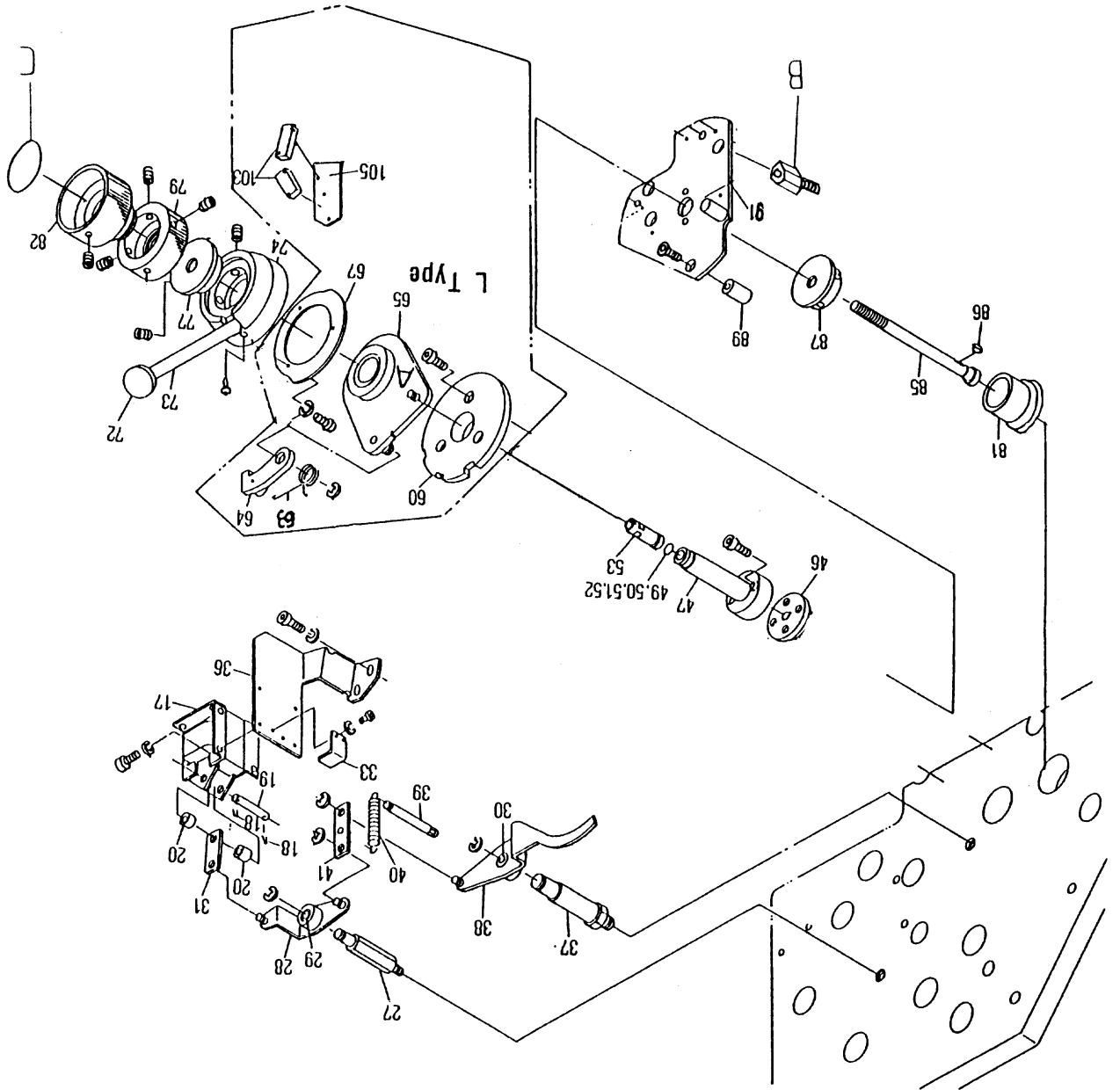
INDEX No.	Parts No.	Parts Name	Remarks
01			
02	7601-10001	Cam	
03			
04			
05			
06			
07	258-651.3	Cam Follower	
08			
09	7607-10003	Lever	
10			
11			
12	X04-14-3	Spring	
13	7203-08035	Spring Pin	
14	A17-18-3	Bushing	
15			
16			
17	7607-10002	Pivot Stud	
18			
19			
20	7607-10016	Bracket	
21			
22	7607-10017	Stopper	
23	E09-60-01-3	Solenoid	
24	6801-03014	Snap Pin	
25	6801-03013	Pin	
26			
27	H03-36-3	Spacer	
28	7607-10010A	Link	
29			
30	7607-10007A	Lever	
31	243-615	Bushing	
32	I52-20-3	Bushing	
33	7607-10006	Lever	
34	6902-11009	Eccentric Pin	
35	6907-10007	Link	
36			
37	7607-10015	Pin	
38			
39	7607-10005	Pivot Stud	
40	X02-87-3	Spring	
41	CK08-37	Spring Pin	
42	F42-13-3	Spring	
43	7607-10009	Link	
44	6902-11010A	Lever	



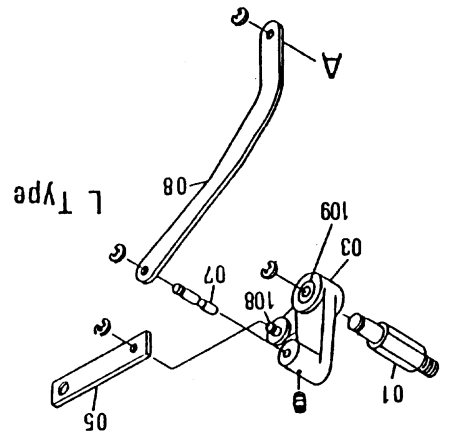
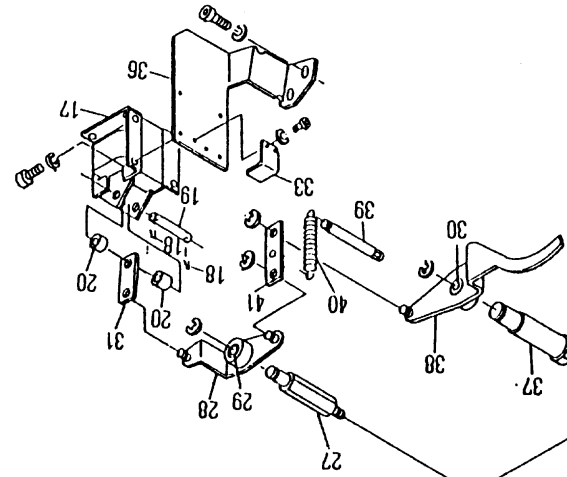
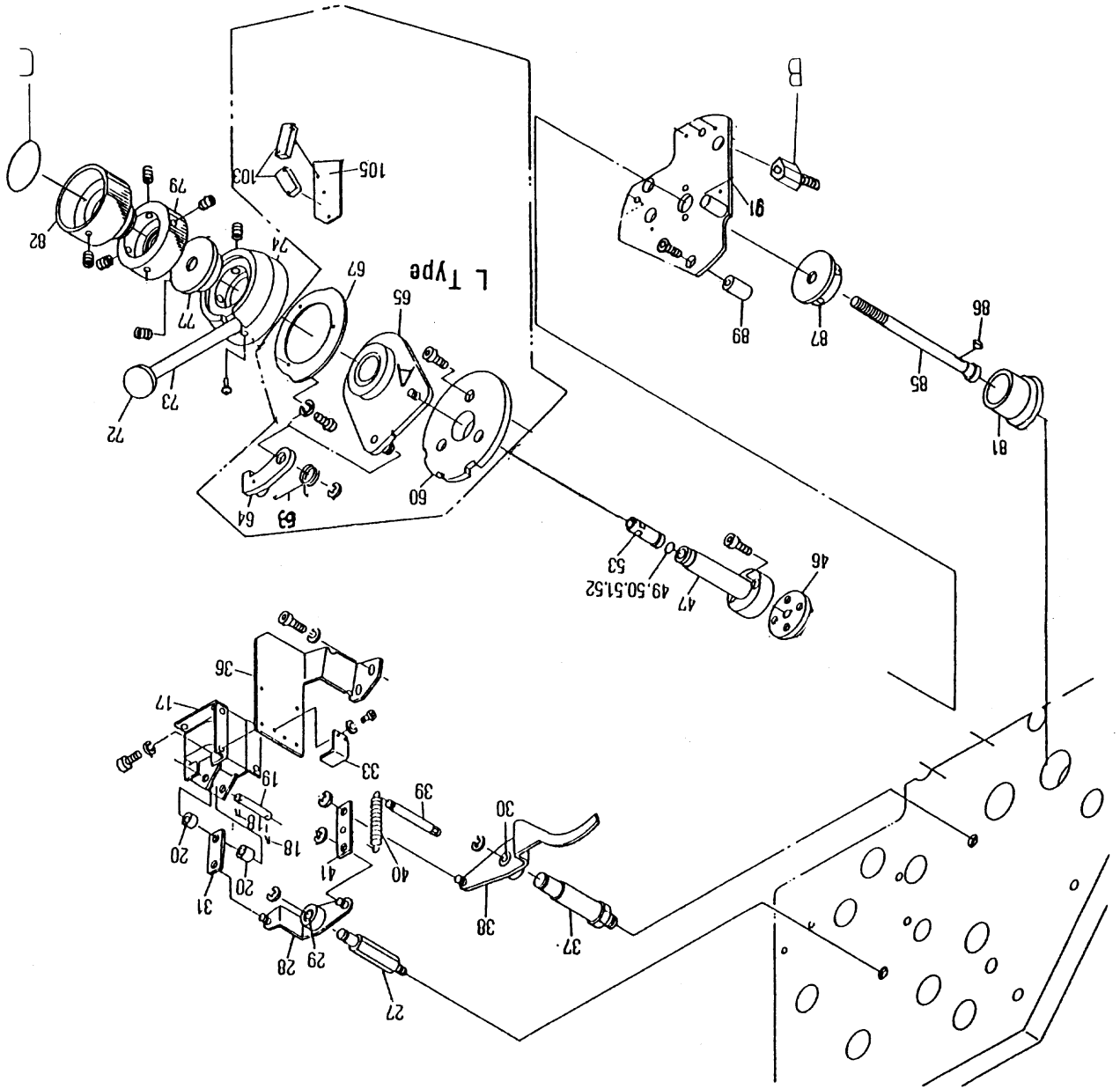
45			
46			
47	6801-08123	Spring	
48	6802-11014	Spring Pin	
49	6802-03039	Link	
50	5802-11021	Spacer	
51	7402-10007	Pin	
52			
53	6802-03032	Retaining Washer	
54	7607-10004	Lever	
55	7602-10014	Pivot Stud	
56	7602-11007	Block	
57			
58			
59	7602-10012	Spring Pin	
60	7607-10013A	Link	
61			
62	MC04-16	Indicator	
63			
64			
65			
66			
67	6802-04058	Gear	
68	M02-37-3	Scale	
69			
70	6802-04060	Lever	
71	6802-04059	Worm Shaft	
72	M02-40-3	Thumb	
73			
74	7607-06011	Eccentric Bushing	
75			
76	7607-04003	Bushing	
77	7602-11007	Block	
C	7607-10011	Link	
D	7607-10012	Pin	
E	6802-03037	Pin	
F	7602-11015	Eccentrik Pin	



INDEX No.	Parts No.	Parts Name	Remarks
01	6907-06003	Pivot Stud	
02			
03	7607-06026	Lever	
04			
05	7607-06015	Link	
06			
07	7203-08028	Pin	
08	6907-06004	Link	
09			
10			
11			
12			
13			
14			
15			
16			
17	E09-60-01-3	Solenoid	
18	6801-03014	Snap Pin	
19	6801-03013	Pin	
20	H03-36-3	Spacer	
21			
22			
23			
24			
25			
26			
27	7607-06016	Pivot Stud	
28	7607-06017A	Lever	
29			
30	243-619	Bushing	
31	7607-06012	Link	
32			
33	5103-08116	Stopper	
34			
35			
36	7607-06027	Bracket	
37	7607-06001	Pivot Stud	
38	7503-08001A	Lever	
39	4807-02006	Spring Pin	
40	CK02-10	Spring	
41	7607-06014	Link	
42			
43			
44			

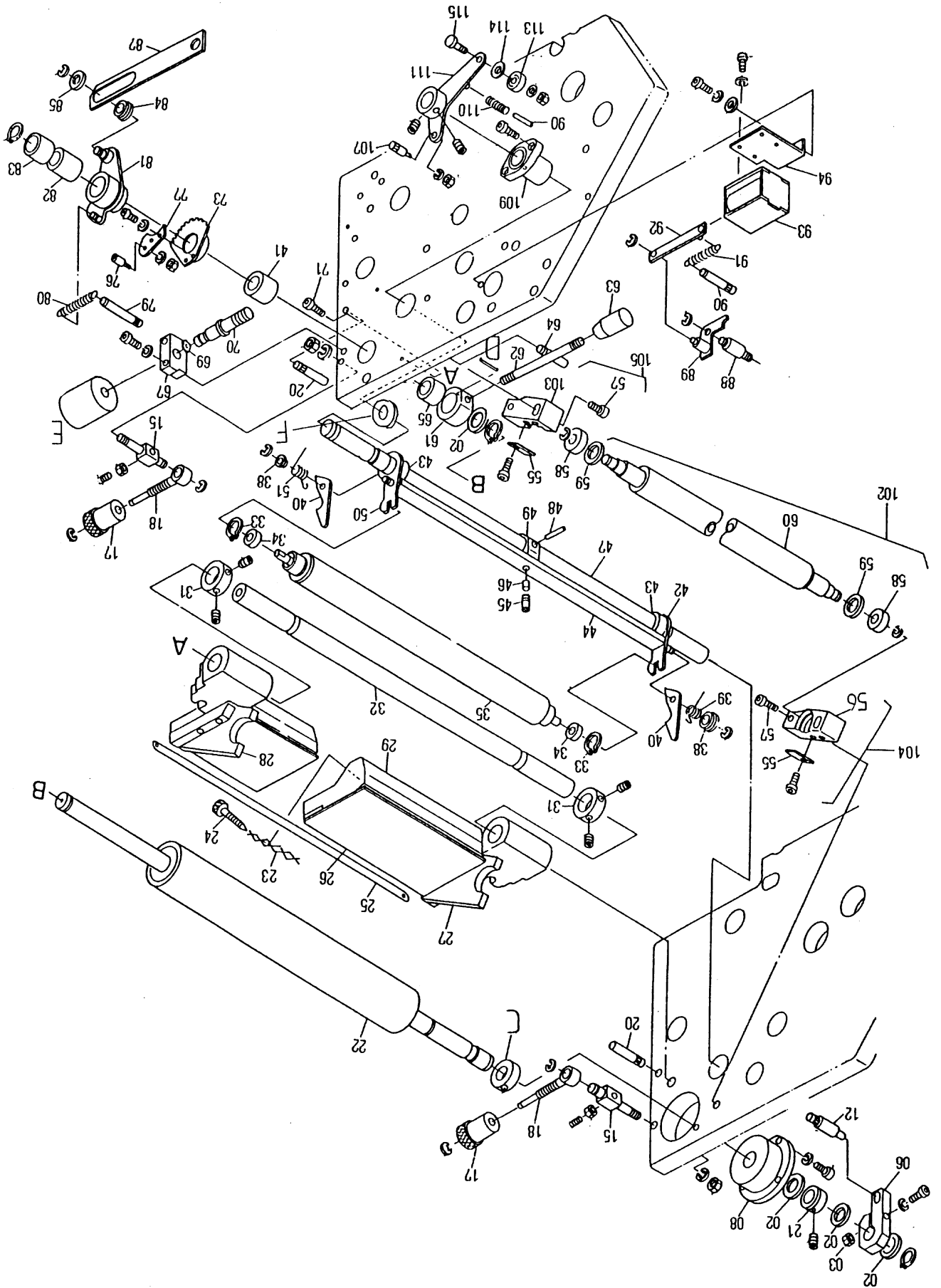


45			
46	7607-06006	Spacer	
47	7607-06007	Pivot Stud	
48			
49	6907-06083	Shim	SHIM (T=0.1)
50	6907-06084	Shim	SHIM (T=0.15)
51	6907-06085	Shim	SHIM (T=0.2)
52	6907-06086	Shim	SHIM (T=0.25)
53	G03-10-3	Nut	
54			
55			
56			
57			
58			
59			
60	7503-08024A	Cam	
61			
62			
63	5103-08049	Spring	
64	5103-08020A	Lever	
65	7607-06013A	Lever	
66			
67	7607-06004	Cam	
68			
69			
70			
71			
72	I27-80-3	Knob	
73	I18-05-3	Stem	
74	7607-06003	Boss	
75			
76			
77	7607-06035	Collar	
78			
79	7607-06036	Handle	
80			
81	7607-04003	Bushing	
82	7607-06037	Handle	
83			
84			
85	7607-06008	Shaft	
86	I11-09-3	Key	
87	7607-06010	Bushing	
88			
89	5103-08078	Spacer	
90			

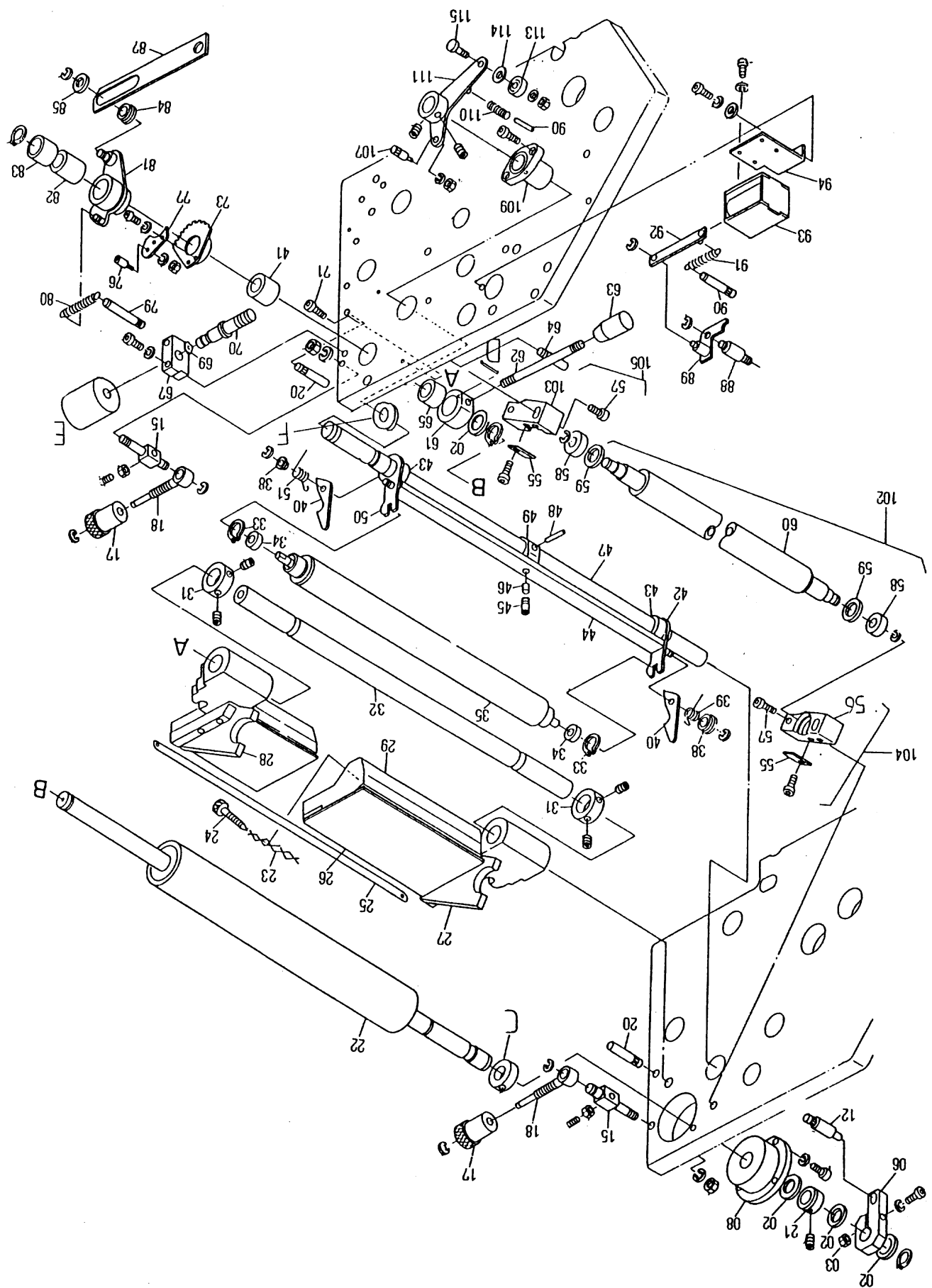


91	7607-06020	Plate	
92			
93			
94			
95			
96			
97			
98			
99			
100			
101			
102			
103			
104			
105	7503-08039	Bracket	
106	E26-75-3	Switch	GXL-8F
107			
108	224-0816.02	Pin	
109	M02-10-02-3	Bushing	
B	7503-08039	Stud Pin	
C	7607-06029	Collar	

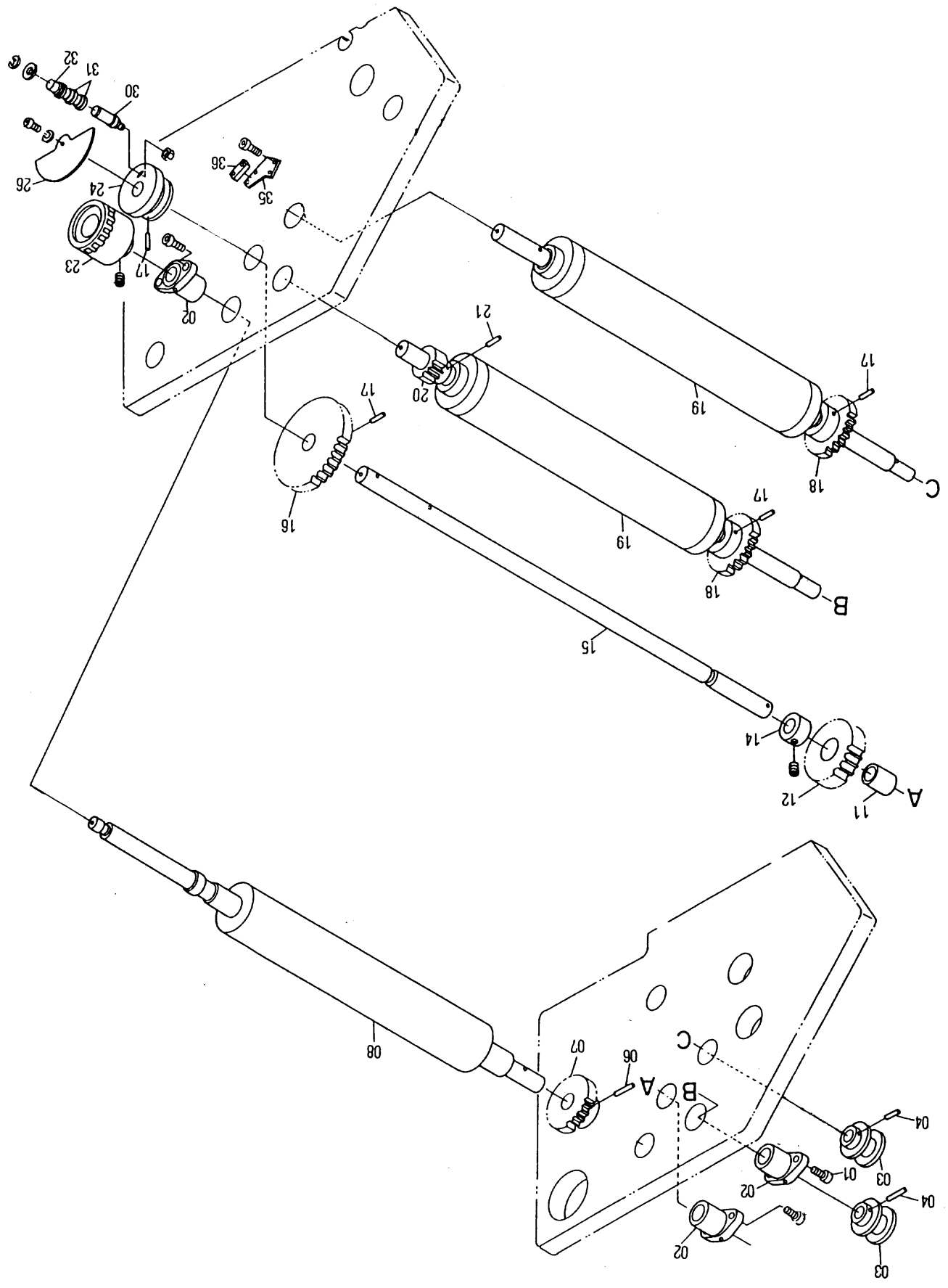
INDEX No.	Parts No.	Parts Name	Remarks
01			
02	CK08-63	Spacer	
03	I31-10-3	Nut	
04			
05			
06	7203-02043	Brake Shoe	
07			
08	7607-02001	Bushing	
09			
10			
11			
12	5102-03127	Stud Pin	
13			
14			
15	6803-02038	Pivot Pin	
16			
17	6803-02051	Lock Nut	
18	6803-02052	Mounting Screw	
19			
20	225-0840.01	Pin	
21	M05-37-3	Collar	
22	7503-02001	Ink Fountain Roller	
23	6803-02006	Wire	
24	6803-02053	Thumb	
25	6803-02032	Scale	
26	6803-02034A	Blade	
27	6803-02054	Bracket	INK FOUNTAIN SIDE NOP-S
28	6803-02055	Bracket	INK FOUNTAIN SIDE OP-S
29	6803-02001	Ink Fountain	
30			
31	5202-04009	Collar	
32	6803-02042	Shaft	
33			
34	ND-24	Bushing	
35	7403-06001	Ductor Roller	
36			
37			
38	I01-43-3	Bushing	
39	I01-32-3	Spring	
40	7403-06008	Roller Latch	
41	7503-02009	Bushing	
42	7403-06006A	Bracket	DUCTOR BRACKET NOP-S
43	243-633	Bushing	
44	7403-06002	Spreader	



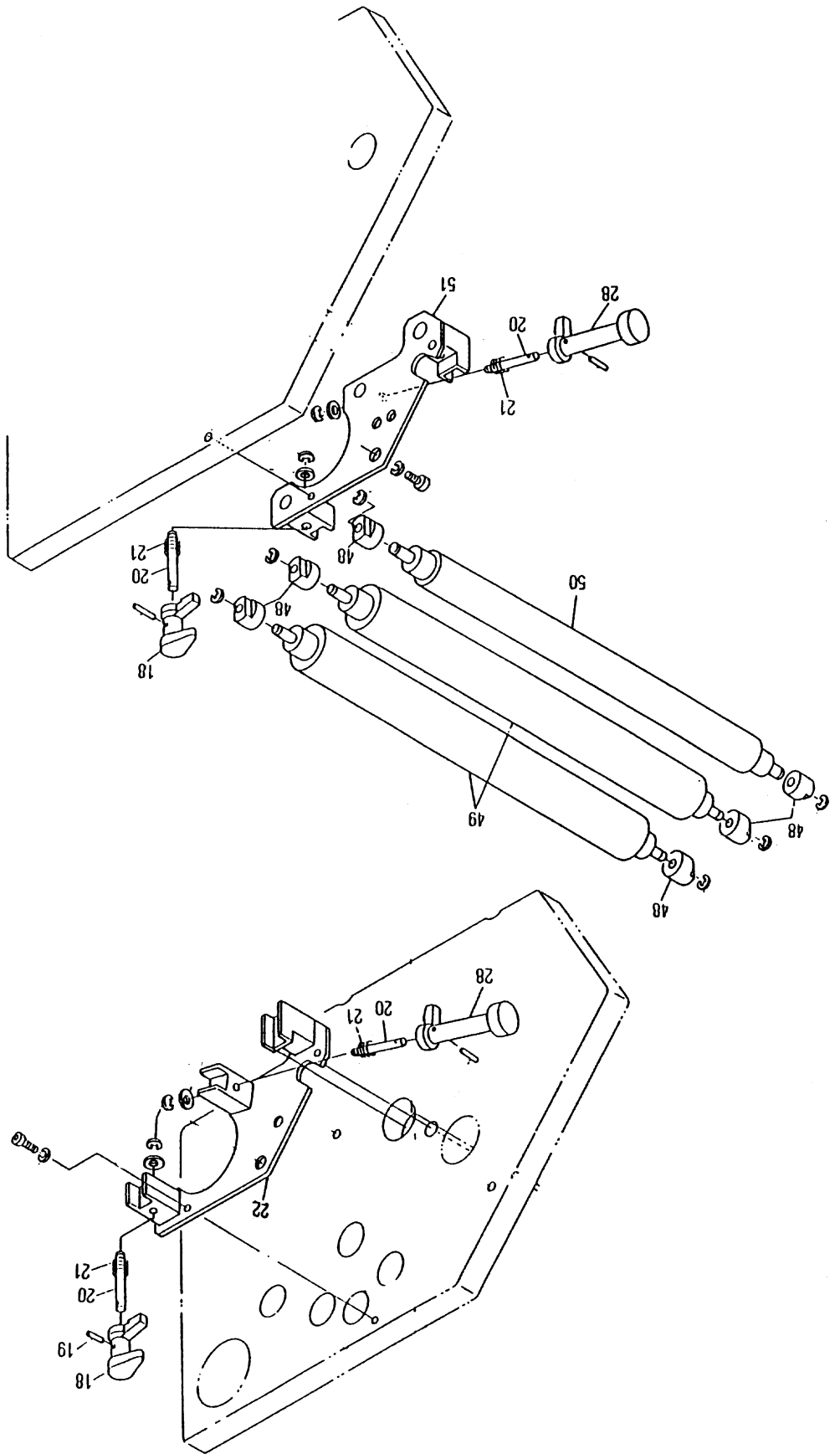
45	7203-06024	Pin	
46	243-605	Bushing	
47	7403-06003	Shaft	
48	CP03-34	Roll Pin	
49	7403-06004	Bracket	
50	7403-06007A	Bracket	DUCTOR BRACKET OP-S
51	I01-33-3	Spring	SPRING OP-S
52			
53			
54			
55	6907-03040	Stopper	
56	6907-03038	Bracket	ROLLER FRAME NOP-S
57			
58	250-150.7	Bearing	BEARING (6900LL)
59	5203-02091	Spacer	
60	6907-03002	Roller	
61	6803-02063	Boss	
62	6803-02064	Stem	
63	R-118-01	Handle	
64			
65	4206-03032	Clutch	
66			
67	6907-02007	Bracket	
68			
69	180-182	Corrugated Washer	WASHER (N-2)
70	7607-02004	Worm Shaft	
71	6803-02062	Bolt	
72			
73	7503-02014	Gear	
74			
75			
76	7203-02022	Eccentric Pin	
77	7503-02016	Plate	
78			
79	4808-04029	Spring Pin	
80	7607-02003a	Spring	
81	7503-02012	Lever	
82	7203-02039	Clutch	
83	M05-37-3	Coller	
84	7203-02045	Bearing	
85	7203-02037	Collar	
86			
87	6907-02006	Link	
88	6907-03020	Pivot Stud	
89	6907-03018A	Lever	
90	223-0640.01	Spring Pin	



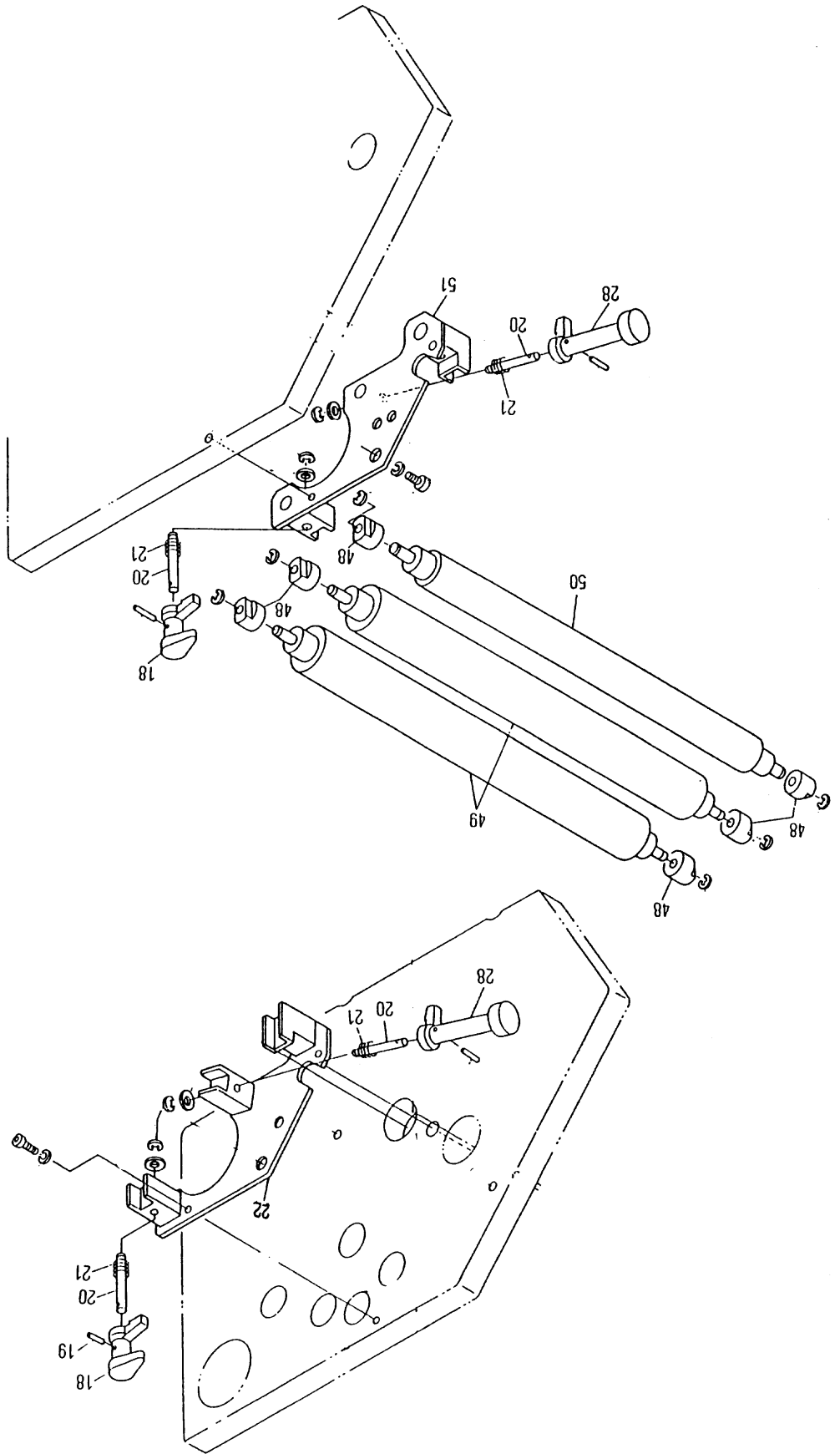
91	5202-11036	Spring	
92	7607-03011	Link	
93	E09-25-3	Solenoid	
94	7607-03017	Bracket	
95			
96			
97			
98			
99			
100			
101			
102	6907-03002A	Roller Assy	DISTRIBUTOR ASSY
103	6907-03039	Bracket	ROLLER FRAME OP-S
104	6907-03038A	Bracket Assy	FRAME ASSY NOP-S
105	6907-03039A	Bracket Assy	FRAME ASSY OP-S
106			
107	6907-03033	Eccentric Pin	
108			
109	7403-04021	Bushing	
110	R11-95-01-3	Spring	
111	6907-03016A	Lever	
112			
113	250-126.6	Bearing	
114	184-106.3	Flat Washer	
115	CK08-07	Pin	
C	6803-02043	Collar	
D	183-184	Roll Pin	
E	7503-02010	Handle	
F	7403-06005	Spacer	



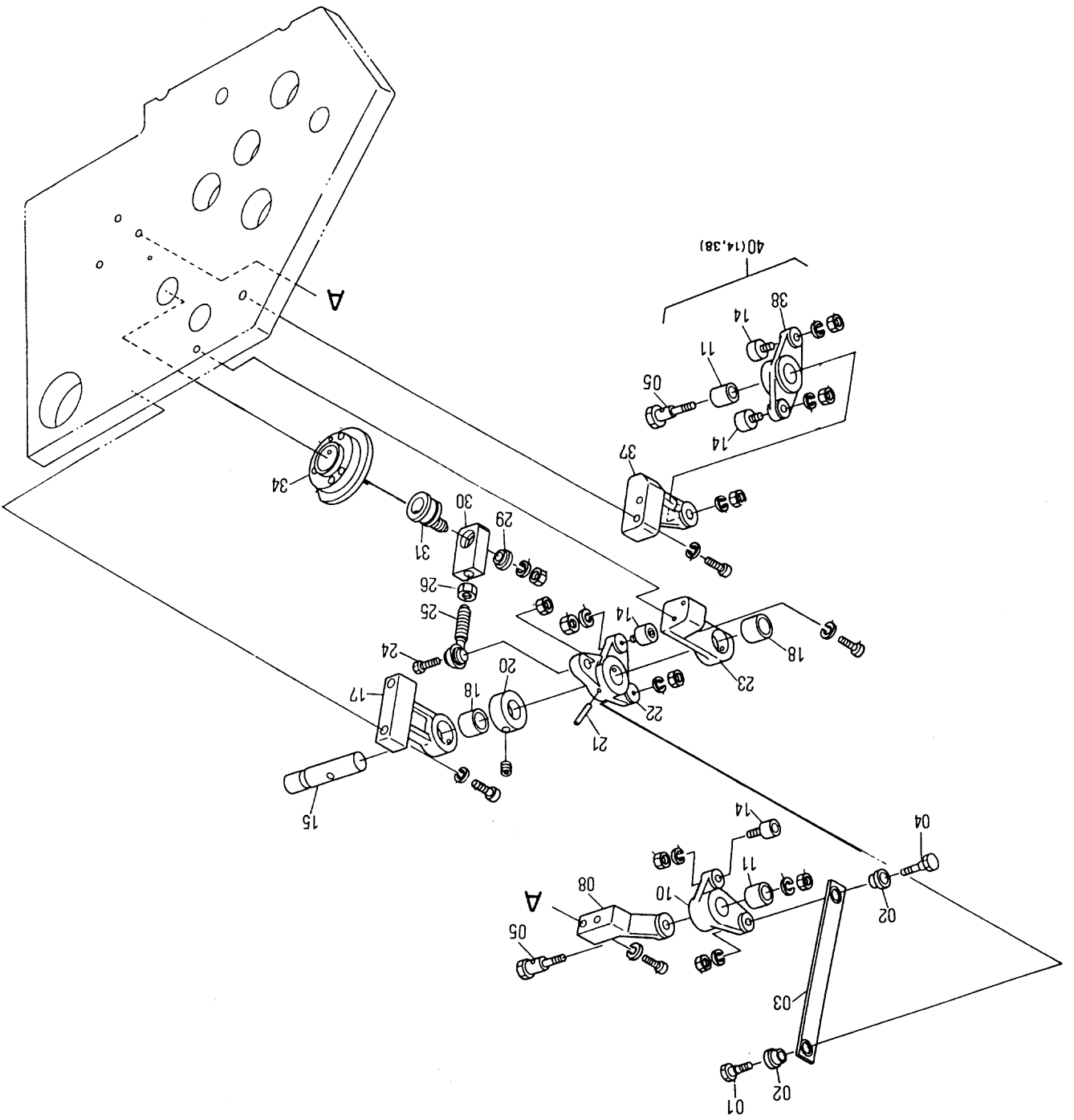
INDEX No.	Parts No.	Parts Name	Remarks
01			
02	7403-04021	Bushing	
03	I01-39-3	Cam	
04	183-205	Roll Pin	
05			
06	CP03-33	Roll Pin	
07	7607-03002	Gear	
08	7607-03001	Roller	
09			
10			
11	6907-03005	Bushing	
12	6907-03023A	Gear	
13			
14	185-1615.01	Collar	
15	7607-03019	Shaft	
16	7203-05024	Gear	
17	CM05-55	Roll Pin	
18	7203-05030	Gear	
19	7403-04023	Oscillating Roller	
20	7203-05023	Gear	
21	CP03-34	Roll Pin	
22			
23	6805-02042	Handle	
24	6907-03025	Cam	
25			
26	7607-03016	Cam	
27			
28			
29			
30	6803-05086	Stud Pin	
31	6803-05052	Bushing	
32	6803-05053	Bushing	
33			
34			
35	7607-03003	Bracket	
36	E26-75-3	Sensor	GXL-8F



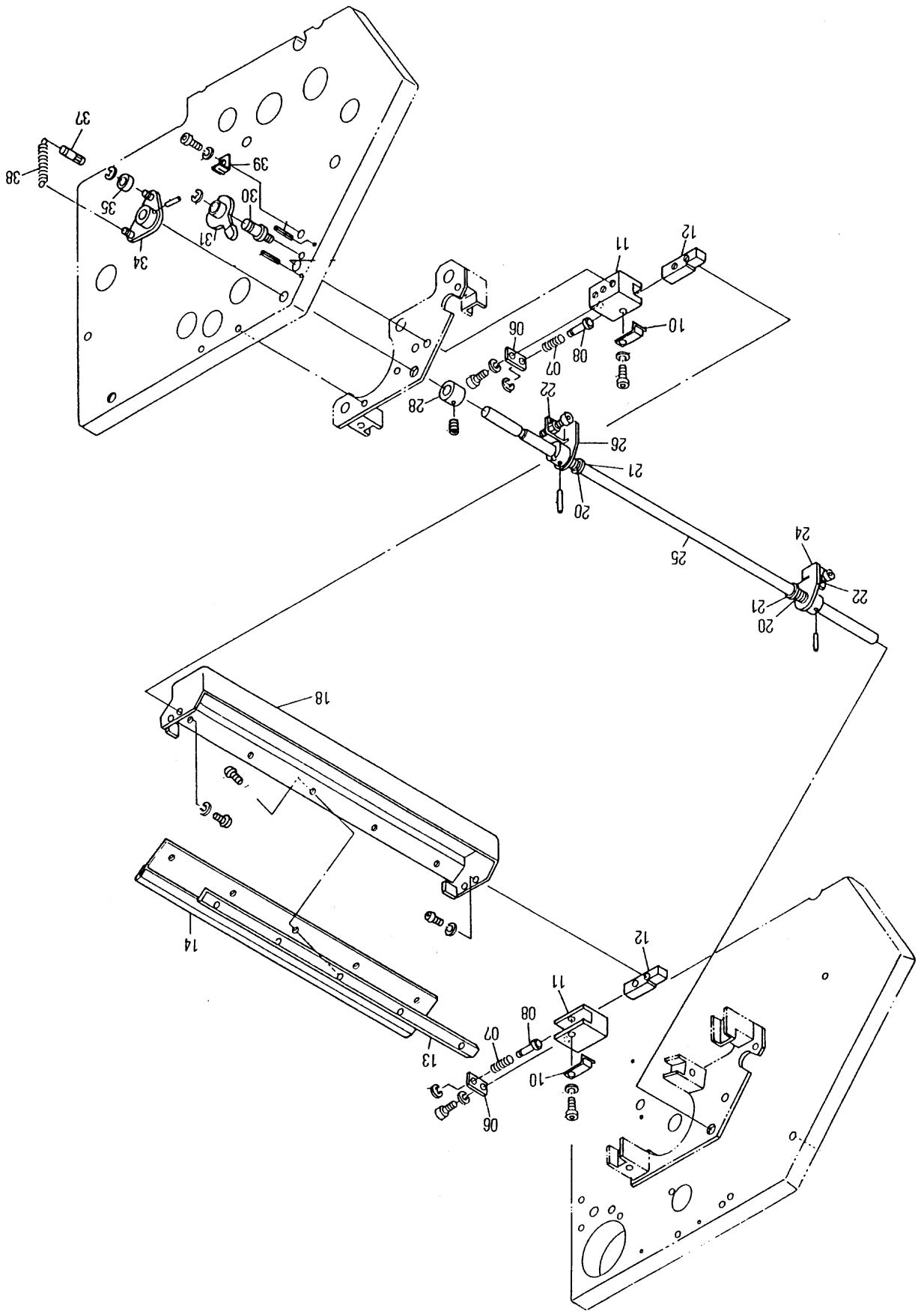
INDEX No.	Parts No.	Parts Name	Remarks
01			
02			
03			
04			
05			
06			
07			
08			
09			
10			
11			
12			
13			
14			
15			
16			
17			
18	7503-04056	Handle	ROLLER RETAINER
19			
20	6803-04011	Stem	HOLDER STEM
21	6803-04015	Spring	SPRING
22	7607-03005A	Roller Frame	ROLLER FRAME NOP-S
23			
24			
25			
26			
27			
28	6907-03047	Handle	ROLLER RETAINER
29			
30			
31			
32			
33			
34			
35			
36			
37			
38			
39			
40			
41			
42			
43			
44			



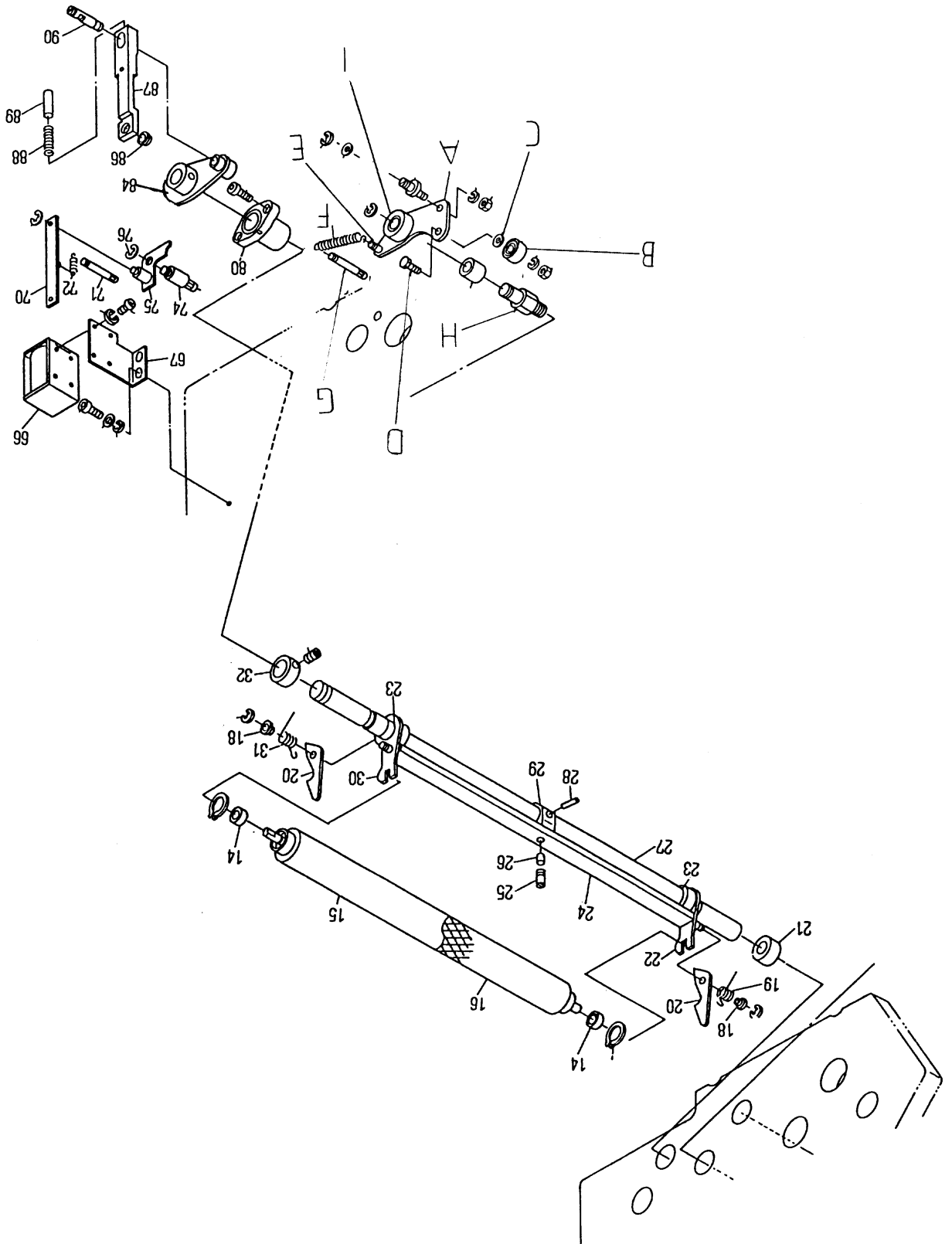
45			
46			
47			
48	CP03-11	Bushing	BUSHING
49	6803-04005	Roller	DISTRIBUTOR ROLLER
50	6803-04003	Roller	IDLE ROLLER
51	7607-03004A	Roller Frame	ROLLER FRAME OP-S



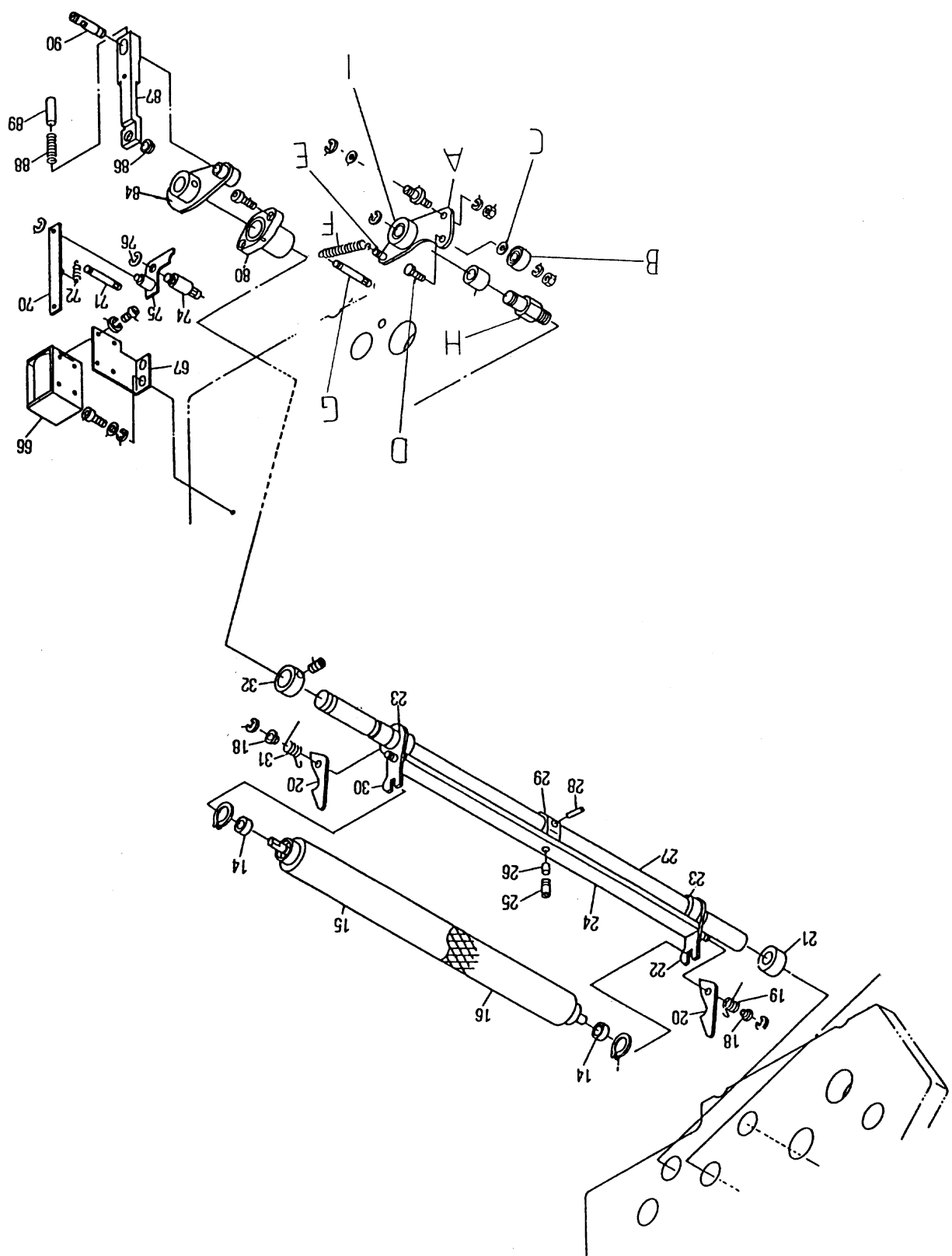
INDEX No.	Parts No.	Parts Name	Remarks
01	7203-05013	Pivot Screw	
02	7203-08029	Bushing	
03	7607-03007	Link	
04	6907-03053	Pivot Screw	
05	7203-05019	Pivot Screw	
06			
07			
08	6907-03013	Bracket	
09	170-106	Nut	
10	6803-05014a	Lever	
11	7203-05018	Bushing	
12			
13			
14	258-650.1	Cam Follower	
15	7607-03006	Shaft	
16	7203-05015B	Lever Assy	
17	6803-05001A	Bracket	
18	7203-05022	Bushing	
19			
20	M55-22-3	Collar	
21			
22	6907-03007	Lever	
23	6907-03012A	Bracket	
24	101-572	Screw	
25	7607-03009	Rod Ends	
26	6907-03031	Nut	
27			
28			
29	251-200	Bearing	
30	7607-03008	Rod Ends	
31	7607-03020	Eccentric Pin	
32			
33			
34	7607-10001	Cam	
35			
36			
37	7203-05009	Bracket	
38	6907-03011A	Lever	
39	6907-03007A	Lever Assy	
40	6907-03011B	Lever Assy	



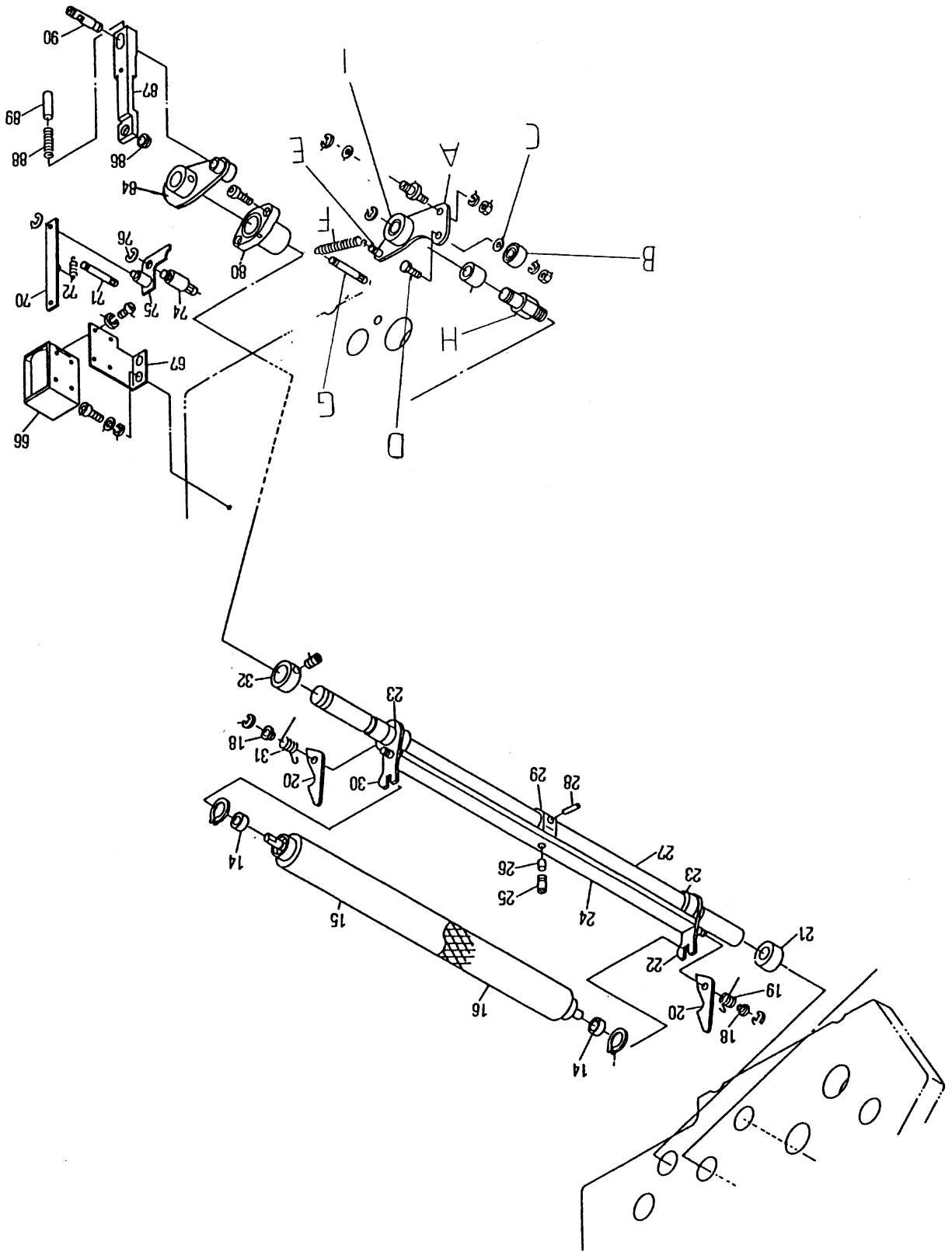
INDEX No.	Parts No.	Parts Name	Remarks
01			
02			
03			
04			
05			
06	6803-07020	Bracket	
07	R51-86-3	Spring	
08	6907-07018	Pin	
09			
10	6803-07019	Plate Spring	
11	6907-07016	Bracket	
12	6803-07015	Bracket	
13	6803-07038	Retainer	
14	7403-07003	Blade	
15			
16			
17			
18	6907-07017	Tray	
19			
20	5203-07019	Spring	
21			
22			
23			
24	6907-07002A	Lever	
25	6907-07004	Shaft	
26	6907-07003A	Lever	
27			
28	185-1012. 01	Collar	
29			
30	6907-07011	Pivot Stud	
31	7607-07004	Handle	
32			
33			
34	6907-07006A	Lever	
35	R51-20-3	Roller	
36			
37	223. 0625. 01	Spring Pin	
38	5208-06092	Spring	
39	4107-01013	Plate Spring	



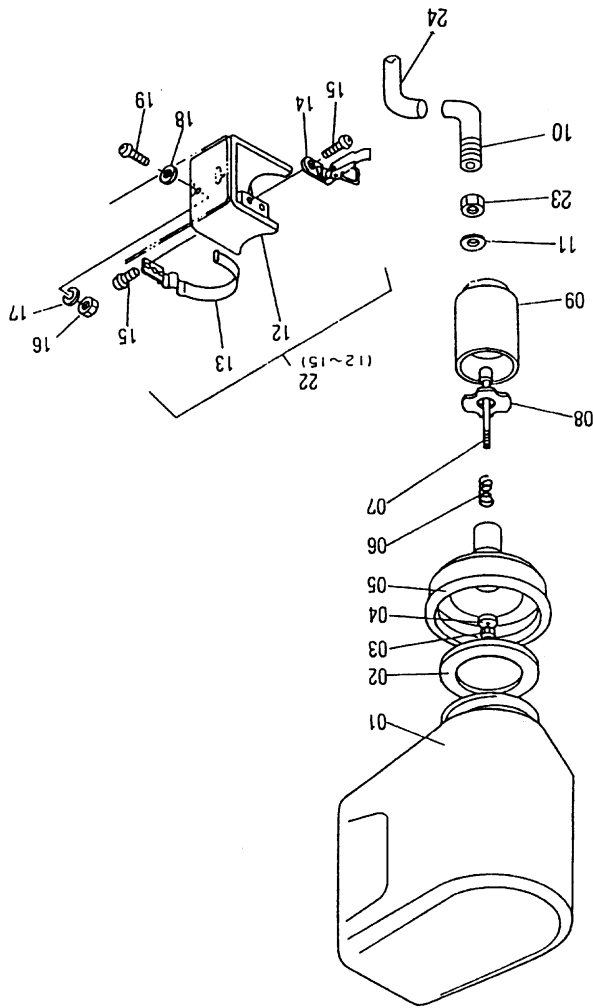
INDEX No.	Parts No.	Parts Name	Remarks
01			
02			
03			
04			
05			
06			
07			
08			
09			
10			
11			
12			
13			
14	ND-24	Bushing	
15	6803-12070	Ductor Roller	
16	6803-12041	Molton	
17			
18	R11-29-3	Spacer	
19	I01-33-3	Spring	
20	7403-06008	Roller Latch	
21	7607-11023	Bushing	
22	7403-06007A	Bracket	DUCTOR BRACKET NOP-S
23	243-633	Bushing	DM
24	7403-06002	Spreader	
25	7203-06024	Pin	
26	243-605	Bushing	
27	7503-06003	Shaft	
28	CP03-34	Roll Pin	
29	7403-06004	Bracket	
30	7403-06006A	Bracket	DUCTOR BRACKET OP-S
31	I01-32-3	Spring	
32	7403-06005	Collar	
33			
34			
35			
36			
37			
38			
39			
40			
41			
42			
43			
44			



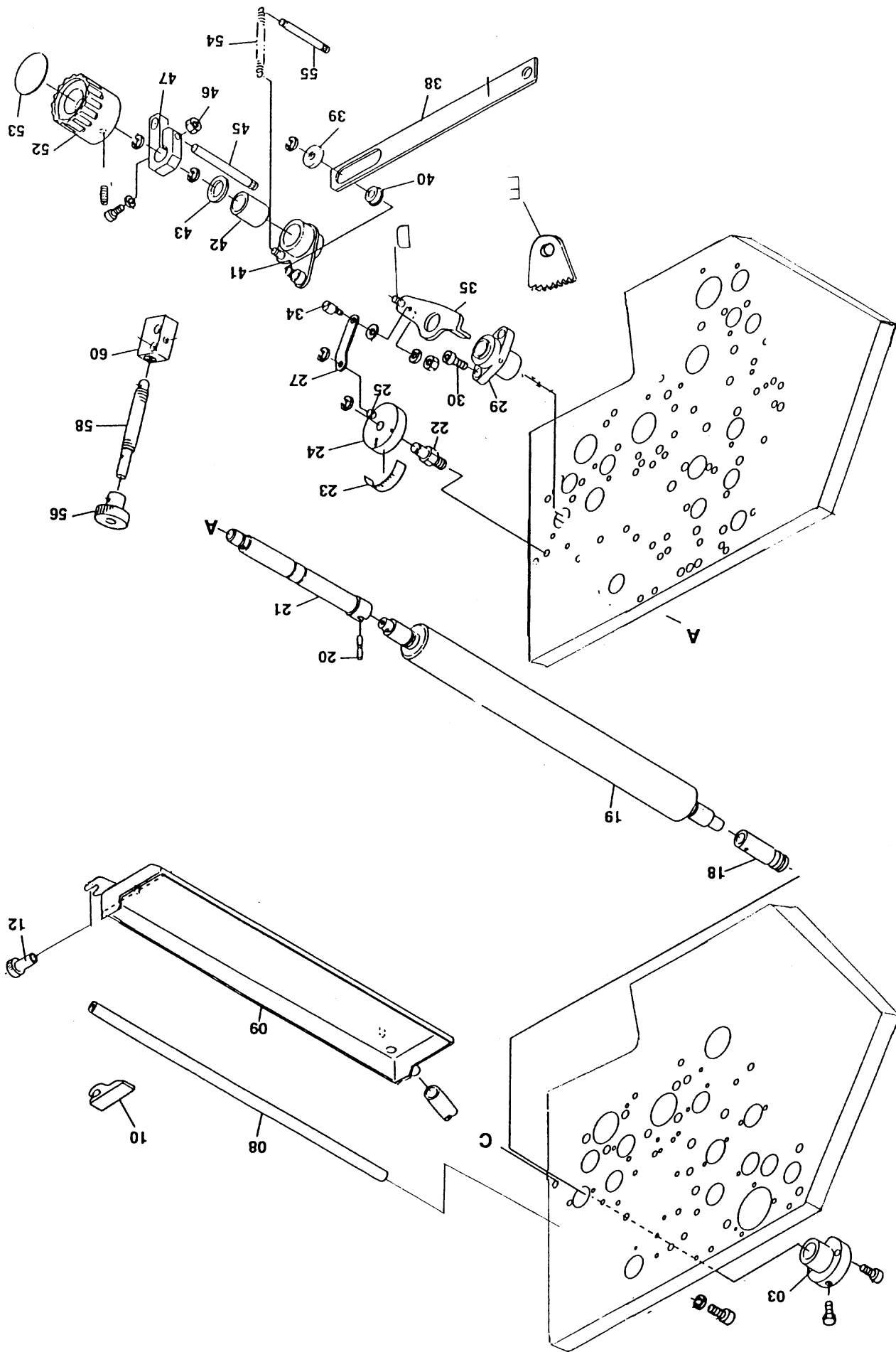
45			
46			
47			
48			
49			
50			
51			
52			
53			
54			
55			
56			
57			
58			
59			
60			
61			
62			
63			
64			
65			
66	E09-25-3	Solenoid	
67	7607-11020	Bracket	
68			
69			
70	7607-11019A	Link	
71	223-0620.01	Spring Pin	
72	5202-11036	Spring	
73			
74	6907-03020	Pivot Stud	
75	7607-11018A	Lever	
76			
77			
78			
79			
80	7607-11023	Bushing	
81			
82			
83			
84	7607-11009A	Lever	
85			
86	7607-11014	Bushing	
87	7607-11013	Link	
88	6903-12002	Spring	
89	R11-89-3	Pin	
90	7607-11012	Pin	



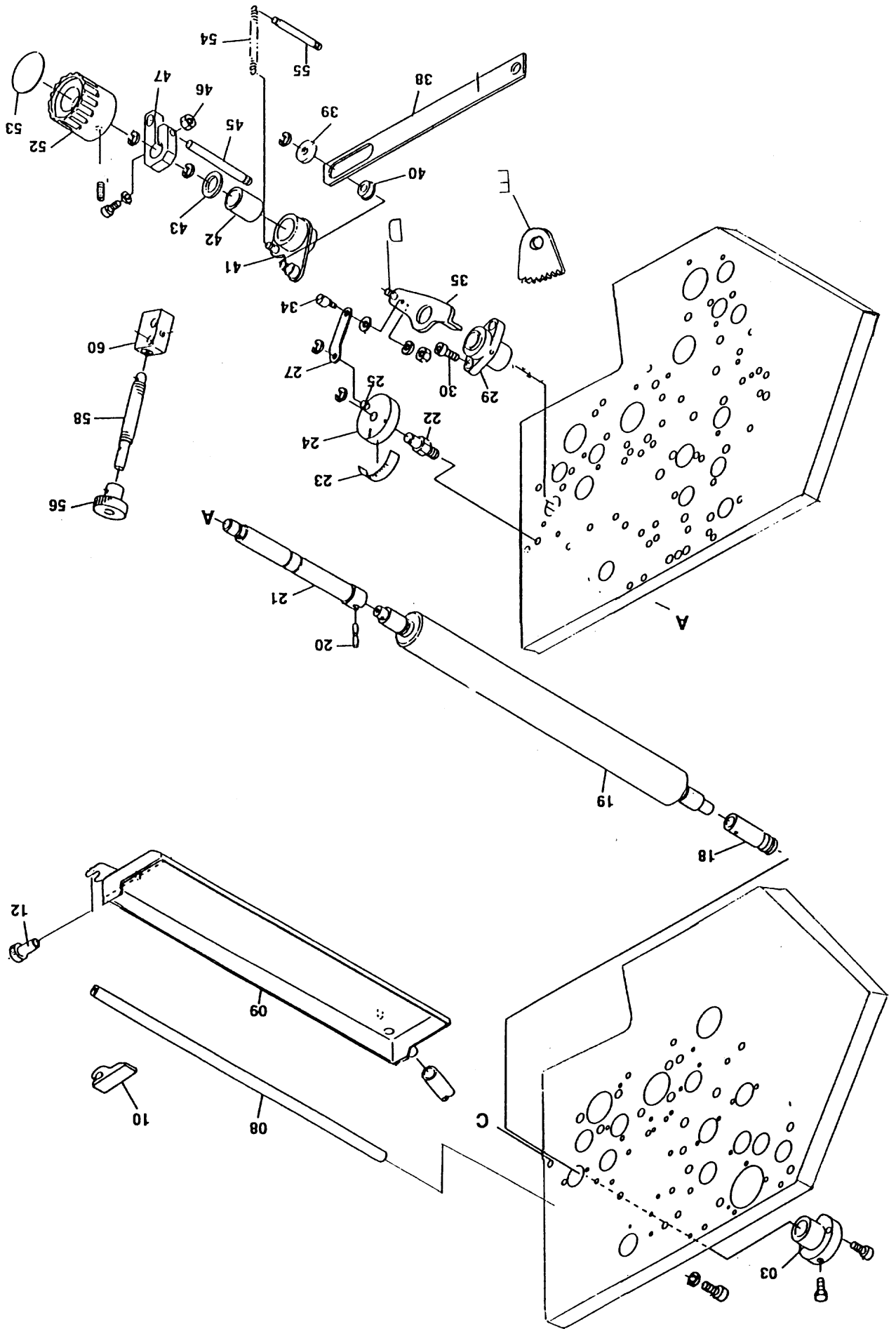
A	7607-11015A	Lever	
B	250-126.6	Bearing	
C	184-106.4	Washer	
D	CK08-07	Pin	
E	7607-11017	Pin	
F	7607-11030	Spring	
G	4808-04029	Spring Pin	
H	7203-16046	Stud	
I	A03-31-3	Bushing	



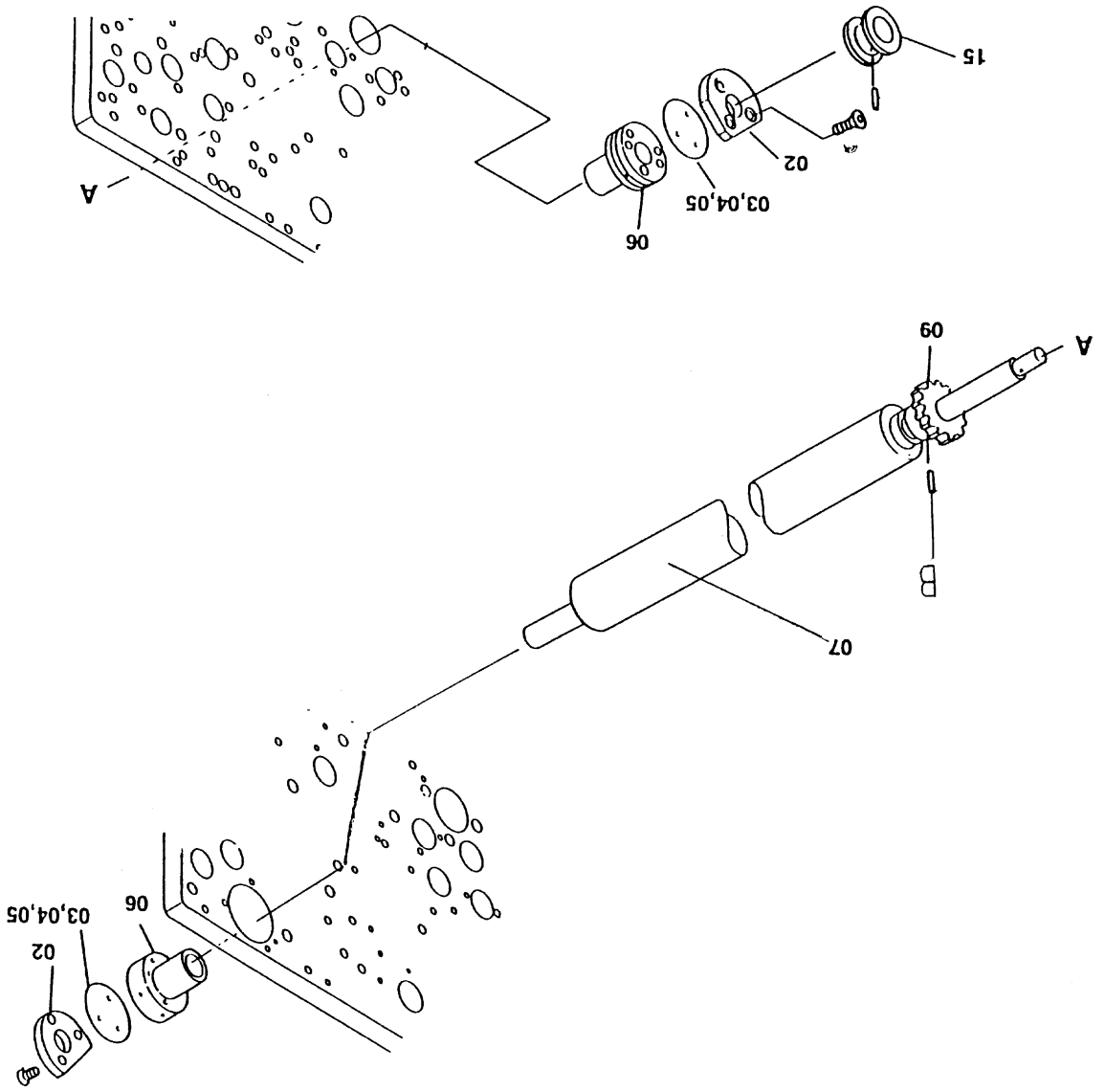
INDEX No.	Parts No.	Parts Name	Remarks
01	6903-11006	Bottle	
02	6903-11007	Packing	
03	R03-25-3	Nut	
04	R03-23-3	Valve	
05	6903-11005	Cap	
06	R03-24-3	Spring	
07	R03-22-3	Stem	
08	WF-46	Stopper	
09	WF-45	Cap	
10	6907-11015	Joint	
11	324-308	O-Ring	
12	R51-89-3	Bracket	
13	WF-40-1A	Band	
14	WF-39	Clip	
15	125-606	Screw	
16	170-105	Nut	
17	180-105	Lock Washer	
18	184-105.3	Flat Washer	
19	125-715	Screw	
20			
21			
22	R51-89-1A-3	Bracket Assy	
23	7203-16019	Nut	
24	6907-11029	Hose	



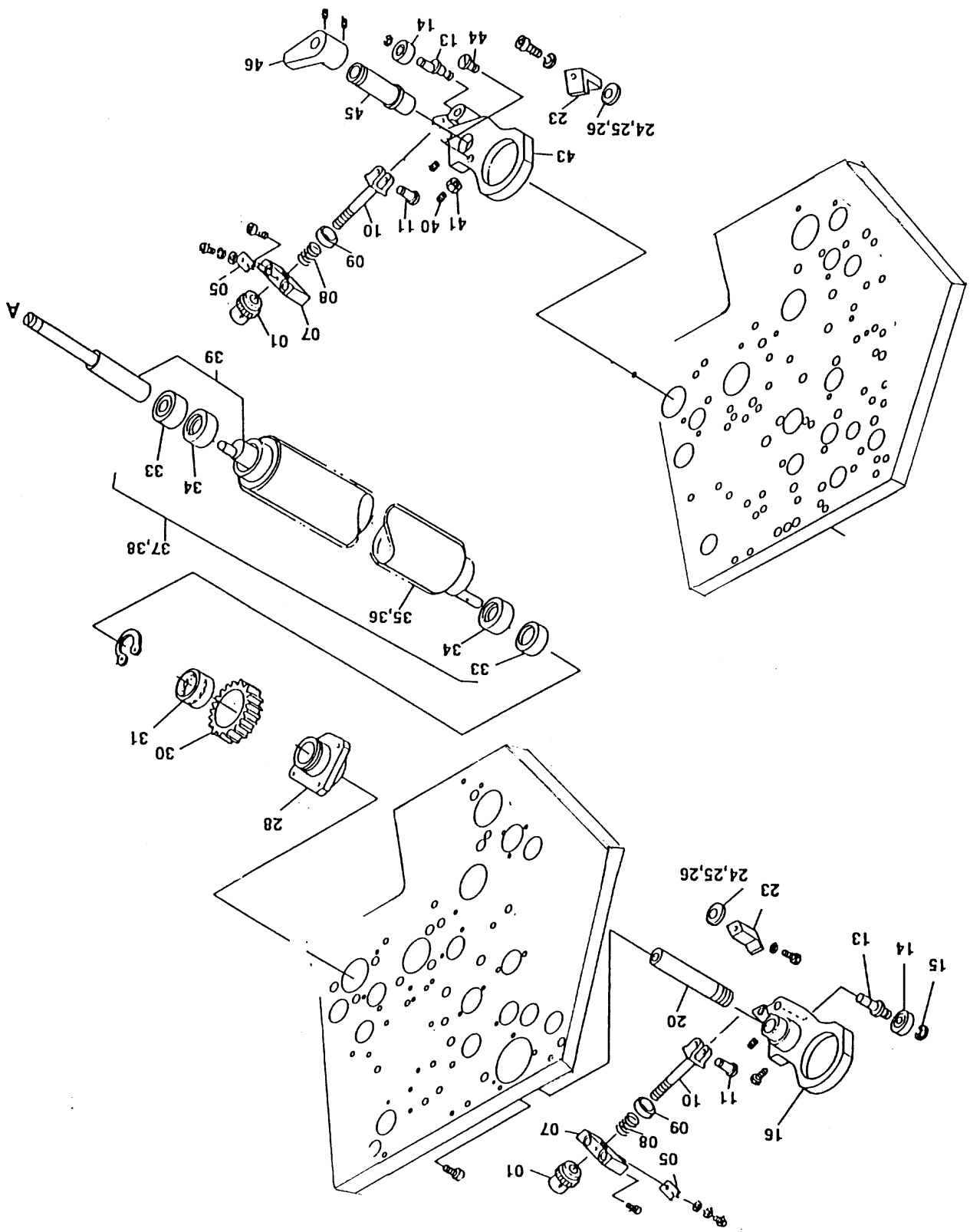
INDEX No.	Parts No.	Parts Name	Remarks
01			
02			
03	6803-12015	Bushing	
04			
05			
06			
07			
08	6803-11023	Spreader	
09	7607-11010	Fountain Tray	
10	R05-01-3	Wiper	
11			
12	G09-16-1	Knob	
13			
14			
15			
16			
17			
18	6803-11011	Sleeve	
19	6803-11037	Fountain Roller	(ϕ 36)
20	5803-11061	Pin	
21	6903-11001	Shaft	
22	7607-11026	Pivot Stud	
23	7607-12036	Scale	Included in 24
24	7403-02013	Plate Assy	
25	224-0616.01	Pin	Included in 24
26			
27	7403-02014	Link	
28			
29	6803-11007	Bushing	
30			
31			
32			
33			
34	X05-86-3	Eccentric Pin	
35	7607-11028A	Lever	
36			
37			
38	7607-11024	Link	
39	7203-02037	Collar	
40	7203-02045	Bearing	688ZZ
41	7607-11029A	Lever Assy	
42	7203-02039	Clutch	Included in 41
43	CK08-63	Spacer	
44			
45	5801-10086	Pin	



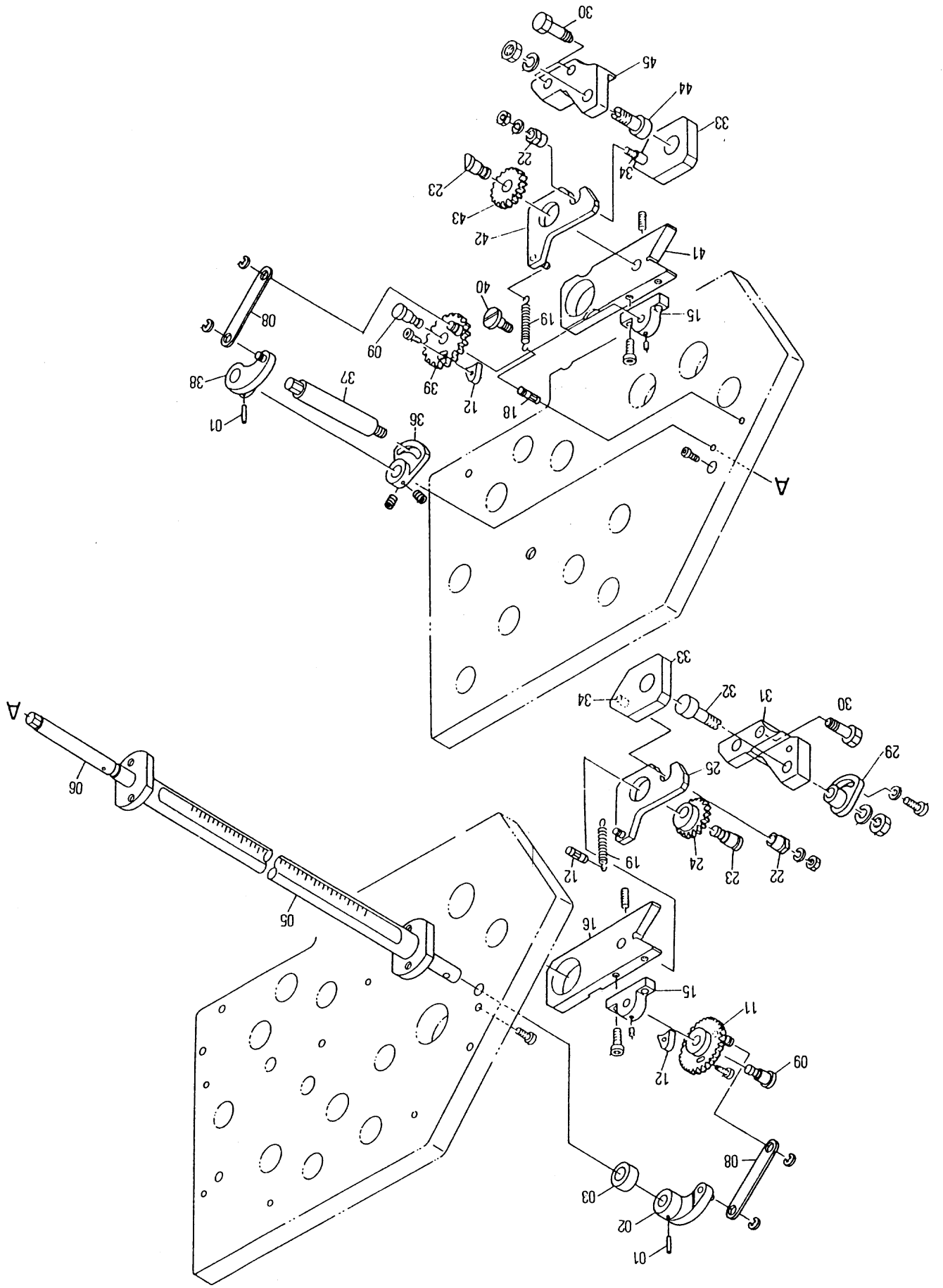
46	I31-10-3	Nut	
47	7203-02043	Brake Shoe	
48			
49			
50			
51			
52	6805-02042	Handle	
53	PC03-37	Name Plate	
54	5203-09059	Spring	
55	6907-06010	Spring Pin	
56	7503-02010	Knob	
57			
58	7607-11025	Adjusting Stem	
59			
60	6907-11019	Block	
D	7203-11022	Eccentric Pin	
E	7503-02014	Gear	



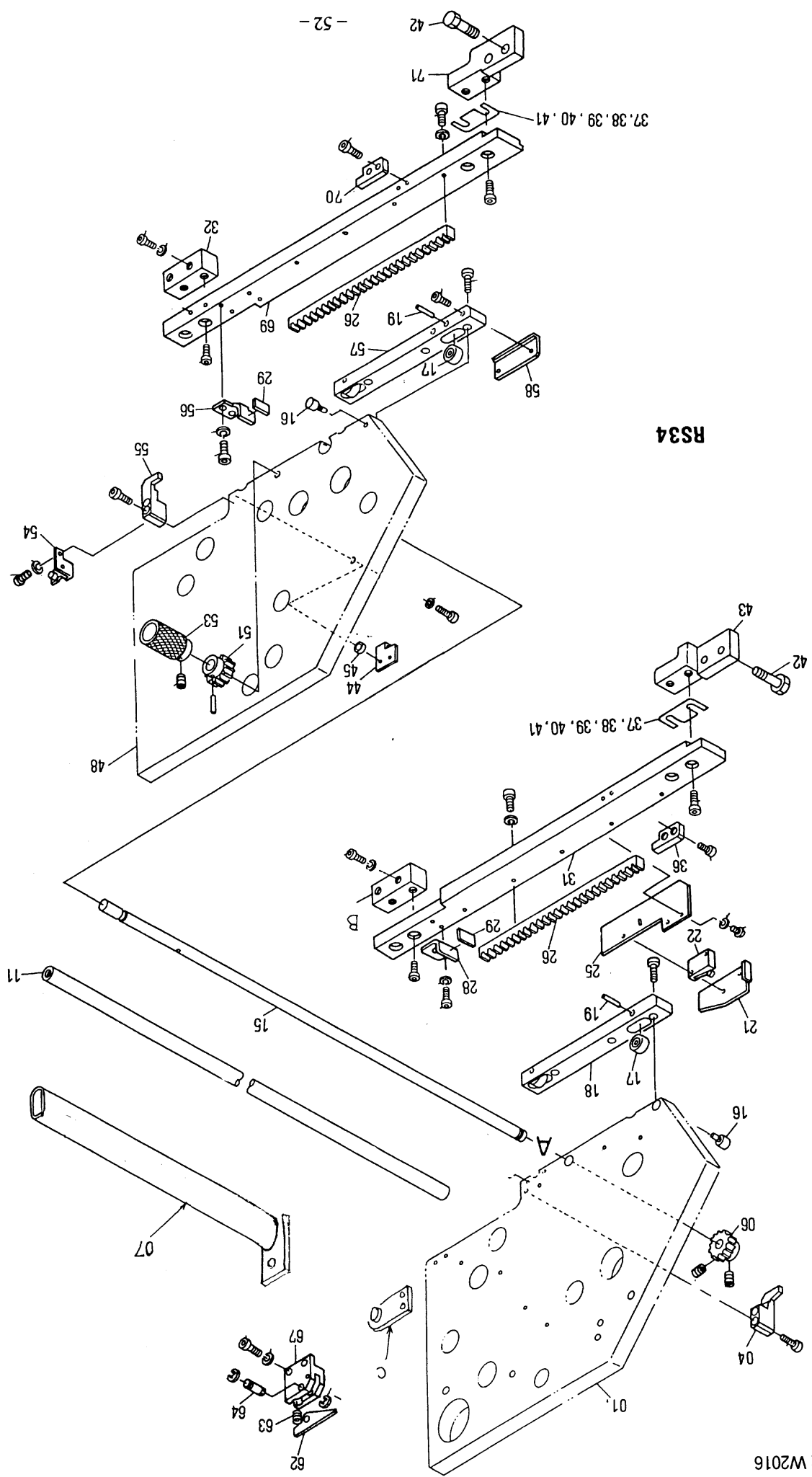
INDEX No.	Parts No.	Parts Name	Remarks
01			
02	7403-03015	Plate	
03	7403-03016	Shim	t=0.02
04	7403-03017	Shim	t=0.03
05	7403-03018	Shim	t=0.05
06	7403-03013	Bushing	
07	7503-12014	Oscillating Roller	(ϕ 54)
08			
09	7503-12009	Gear	
10			
11			
12			
13			
14			
15	I01-39-3	Cam	
B	CM05-55	Pin	



INDEX No.	Parts No.	Parts Name	Remarks
01	7607-11031	Knob	
02			
03			
04			
05	5803-12037	Click Stop	
06			
07	7303-12048	Block	
08	7303-12046	Spring	
09	5803-12032	Collar	
10	7303-12051	Stem	
11	5803-12031	Pin	
12			
13	7403-12023	Pin	
14	250-128.6	Bearing	628ZZ
15			
16	7607-11022	Bracket	
17			
18			
19			
20	7303-12038	Sleeve	
21			
22			
23	7403-03019	Stopper	
24	7403-03020	Shim	t=0.02
25	7403-03021	Shim	t=0.03
26	7403-03022	Shim	t=0.05
27			
28	7303-05037	Bracket	
29			
30	7503-05029	Gear	
31	7503-05030	Bearing	
32			
33	250-001.7	Bearing	Included in 37, 38
34	7203-16332	Spacer	Included in 37, 38
35	6803-12042	Molton	For 7403-12003A
36	6803-12066	Sleeve(3M)	For 7403-12004A (Option)
37	7403-12003A	Form Roller	
38	7403-12004A	Form Roller(3M)	Option
39	7403-03010A	Shaft	
40	I18-59-1A-3	Snubber	
41	I18-60-3	Nut	
42			
43	7607-11021	Bracket	
44	5803-03005	Shoulder Screw	
45	7607-11032	Sleeve	
46	7403-03012	Handle	

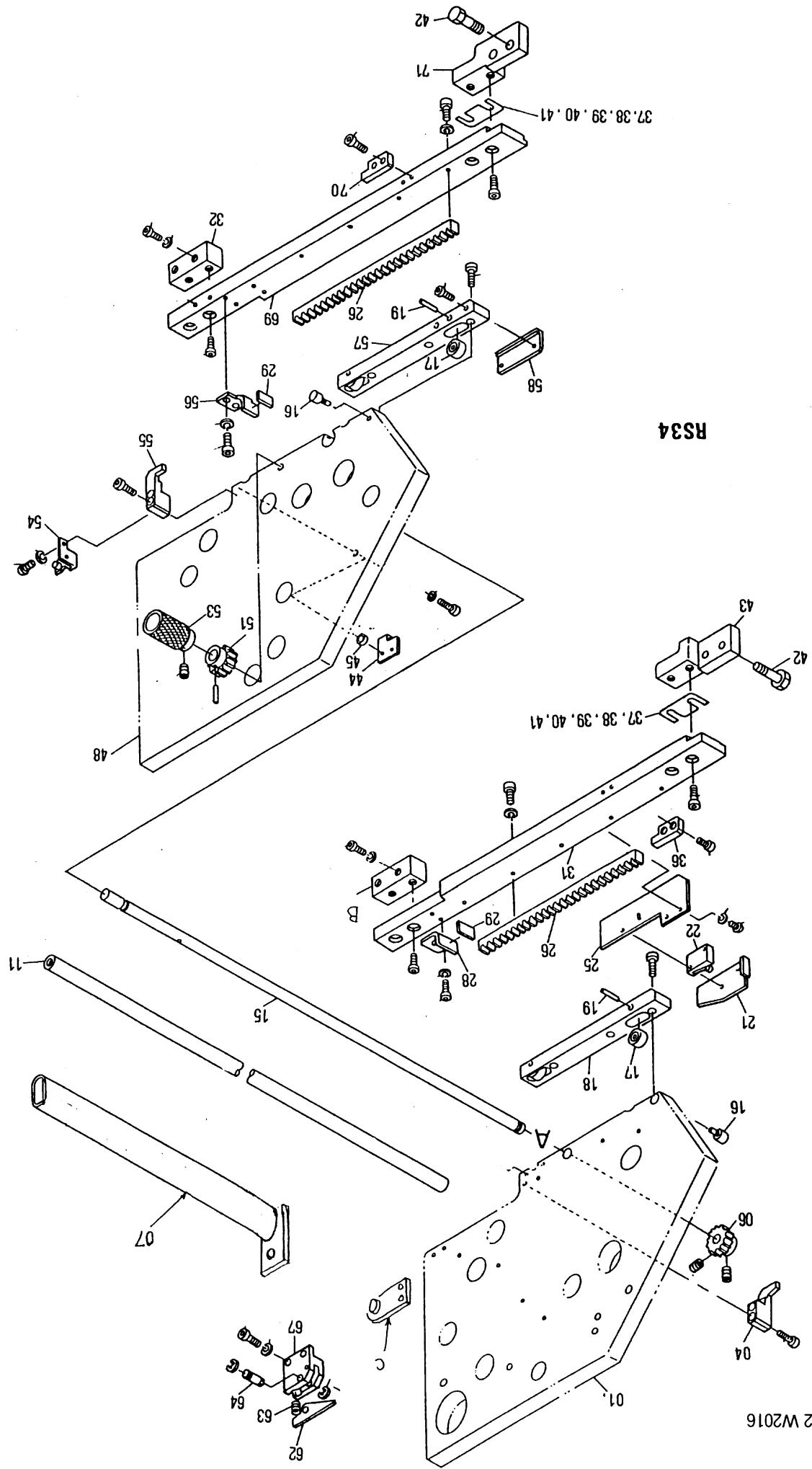


INDEX No.	Parts No.	Parts Name	Remarks
01	6907-06090	Roll Pin	
02	6907-06045A	Lever	
03	A03-34-3	Spacer	
04			
05	6907-01005	Spreader	
06	6907-06075	Shaft	
07			
08	7607-06032	Link	
09	4807-06012	Pin	
10			
11	7607-06031A	Gear	
12	4807-06040	Cam	
13			
14			
15	4807-06024	Bracket	
16	4807-06028	Tie Rod	
17			
18	223-0620.01	Spring Pin	
19	4807-18043	Spring	
20			
21			
22	4207-06013	Eccentric Bushing	
23	6907-06081	Pin	
24	4807-06018	Gear	
25	7607-06039A	Hook	
26			
27			
28			
29	4807-06030	Eccentric Bushing	
30	6907-06031	Bolt	
31	6907-06024	Bracket	
32	4807-06032	Pivot Pin	
33	7607-06040A	Tie Rod	
35			
36	6907-06076	Lever	
37	6907-06077	Stud	
38	6907-06078A	Lever	
39	7607-06030A	Gear	
40	4807-06013	Shoulder Screw	
41	4807-06027	Tie Rod	
42	7607-06038A	Hook	
43	4807-06048	Gear	
44	4807-06031	Pivot Pin	
45	6907-06082	Bracket	



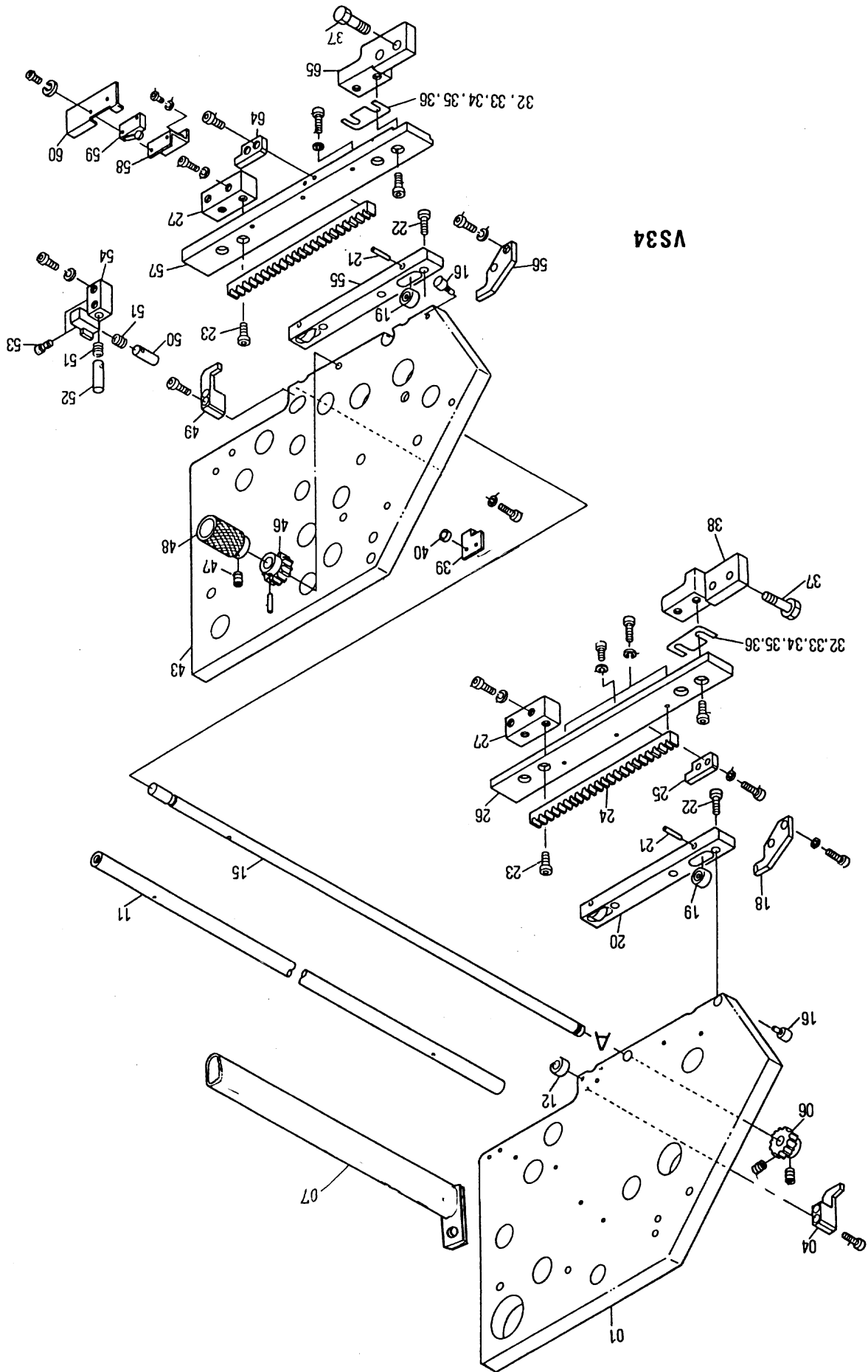
- 52 -

INDEX No.	Parts No.	Parts Name	Remarks
01	7607-01002	Frame	FRAME MOLTON
02			
03			
04	6907-01035	Stopper	STOPPER NOP-S
05			
06	6907-01042	Gear	
07	7607-12002	Cover	GUIDE MOLTON
08			
09			
10			
11	6802-01005	Spreader	
12			
13			
14			
15	6907-01008	Shaft	
16	M04-78-3	Pin	
17	250-126.6	Bearing	
18	6907-01006A	Slide Base Assy	
19	4807-01013	Pin	
20	117-370	Screw	
21	4207-12088	Cover	BRACKET NOP-S
22	E10-29-3	Limit Switch	
23			
24			
25	6907-01044	Bracket	
26	6907-01025	Rack	STOPPER NOP-S
27			SHIM (T=0.3)
28	7607-01009	Stopper	SHIM (T=0.2)
29	4207-01054	Rubber	SHIM (T=0.1)
30			SHIM (T=0.05)
31	7607-01006	Bracket	SHIM (T=0.03)
32	7607-01007	Bracket	
33			BLOCK NOP-S
34			
35			
36	4207-01013	Stopper	
37	6907-01037	Shim	
38	6907-01038	Shim	FRAME MOLTON
39	6907-01039	Shim	
40	6907-01040	Shim	
41	6907-01041	Shim	
42	6907-01018	Bolt	
43	6907-01012	Bracket	
44			

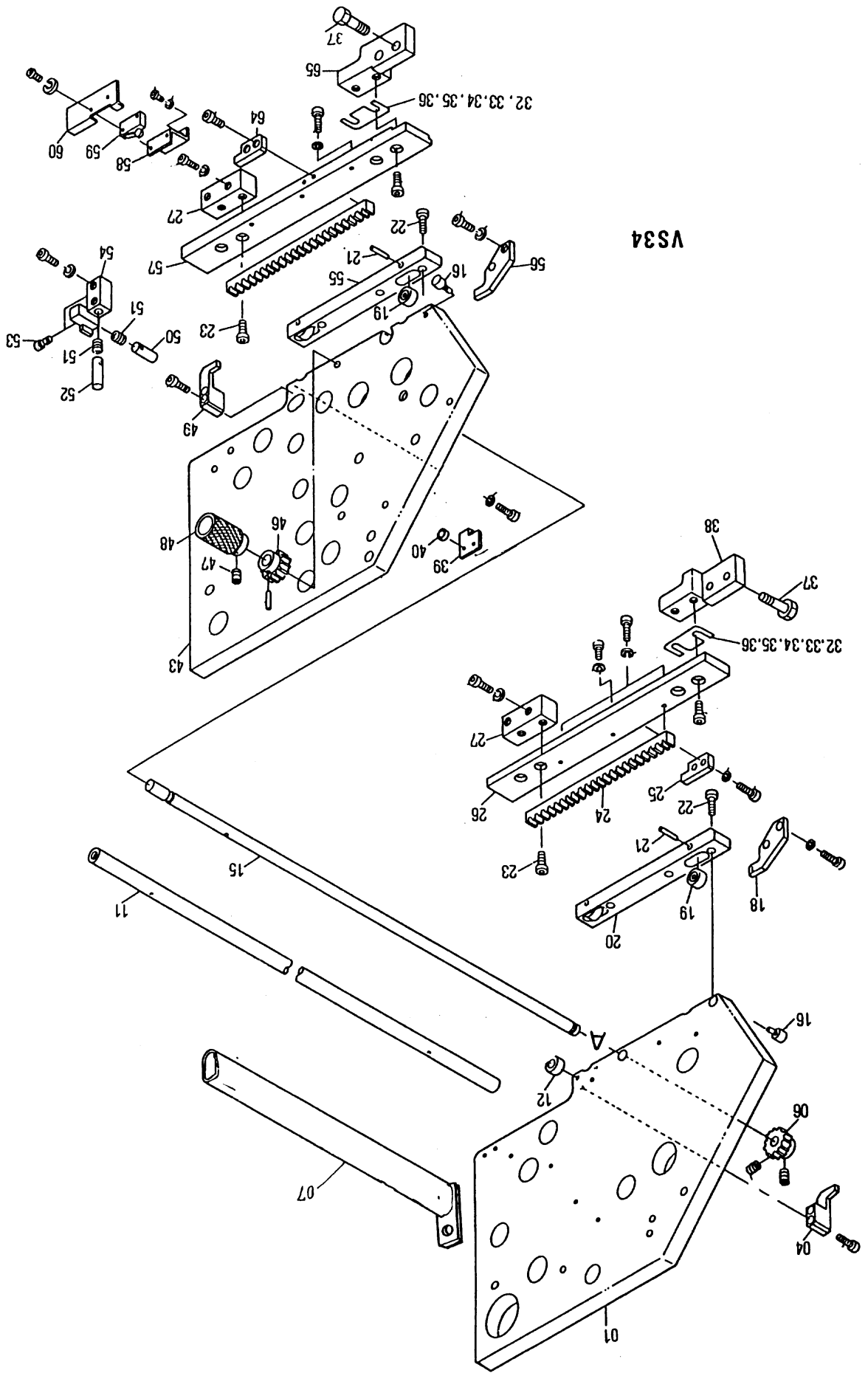


RS34

45			STOPPER OP-S
46			STOPPER OP-S
47			SLIDE BASE ASSY
48	7607-01001	Frame	
49			
50			
51	4807-01015	Gear	
52			
53	6805-02042	Handle	
54			
55	6907-01034	Stopper	
56	7607-01009	Stopper	
57	6907-01007A	Slide Base Assy	
58	6907-01028	Guide	
59			BRACKET OP-S
60			STOPPER OP-S
61			BLOCK OP-S
62	6507-01004	Hook	
63	I06-23-3	Spring	
64	6907-01023	Pin	
65			
66			
67	7607-01012	Block	
68			
69	7607-01005	Bracket	
70	4207-01012	Stopper	
71	6907-01011	Bracket	
B	7607-01069	Block	
C	7607-01013A	Plate	



INDEX No.	Parts No.	Parts Name	Remarks
01	7607-01002	Frame	MOLTON
02			
03			
04	6907-01035	Stopper	STOPPER NOP-S
05			
06	6907-01042	Gear	
07	7607-12002	Cover	GUIDE MOLTON
08			
09			
10			
11	6802-01005	Spreader	
12			
13			
14			
15	6907-01008	Shaft	
16	M04-78-3	Pin	
17			
18	6907-01053	Stopper	STOPPER NOP-S
19	250-126.6	Bearing	
20	6907-01006A	Slide Base Assy	
21	4807-01013	Pin	
22			
23			
24	6907-01024	Rack	
25	4207-01013	Stopper	STOPPER NOP-S
26	6907-01014	Bracket	BRACKET NOP-S
27	6907-01017	Bracket	
28			
29			
30			
31			
32	6907-01037	Shim	SHIM (T=0.3)
33	6907-01038	Shim	SHIM (T=0.2)
34	6907-01039	Shim	SHIM (T=0.1)
35	6907-01040	Shim	SHIM (T=0.05)
36	6907-01041	Shim	SHIM (T=0.03)
37	6907-01018	Bolt	
38	6907-01010	Bracket	BLOCK NOP-S
39	6907-01020	Stopper	
40	X12-09-01-3	Spacer	
41			
42			
43	6907-01001	Frame	FRAME MOLTON
44			



45			
46	4807-01015	Gear	
47			
48	6805-02042	Handle	
49	6907-01034	Stopper	STOPPER OP-S
50	4807-01035	Stopper Pin	
51	5203-09024	Spring	
52	6907-01021	Pin	
53	4807-01036	Knob	
54	6907-01019	Block	BLOCK OP-S
55	6907-01007A	Slide Base Assy	SLIDE BASE ASSY OP-S
56	6907-01052	Stopper	
57	6907-01013	Bracket	
58	6907-01045	Bracket	
59	E10-29-3	Limit Switch	
60	6907-01046	Cover	
61			
62			
63			
64	4207-01012	Stopper	STOPPER OP-S
65	6907-01009	Bracket	
66	6907-01060	Frame	
67	6907-01059	Frame	

