



COPYRIGHT 1990 A.B. DICK/ITEK GRAPHIX. All rights reserved. This manual may not be duplicated, reproduced, or transmitted (in whole or in part) in any form or by any means, electronic or mechanical, (including without limitation photocopy, facsimile, recording or any information storage and retrieval system) without the prior written consent of A. B. Dick/Itek Graphix.

DISCLAIMER OF WARRANTIES (EXPRESS OR IMPLIED). While due care has been taken in the preparation of this manual, A.B Dick/Itek Graphix. makes no representation or warranties with respect of the adequacy or accuracy hereof and specifically disclaims any implied warranties of merchantability or fitness for any particular purpose. Further, A.B. Dick/Itek Graphix reserves the right to revise this publication and to make changes (both substantial and insubstantial in nature) in the contents hereof from time to time hereafter without obligation of A.B. Dick/Itek Graphix to notify any person or organization of such revisions or changes.

SAFETY WARNING. Safety devices have been installed as original equipment for your protection and safety. The removal, disconnection or alteration of any safety guard, protective cover, safety interlock or other safety or protective device comprising part of the equipment described herein poses an undue safety hazard and the same is strictly prohibited.

DISCLAIMER OF LIABILITY. A. B. Dick/Itek Graphix disclaims any responsibility or liability for personal injury, death or property damage caused by or arising out of (i) the removal, disconnection or alteration of any safety guard, protective cover, safety interlock or other safety or protective device comprising part of the equipment described herein, or (ii) the failure of the person or persons operating the equipment described herein or servicing procedures and warnings contained herein.

RECOMMENDED TECHNICAL TRAINING. The information herein is designed only to supplement a formalized training program for skilled service technicians who already possess full knowledge of general electrical and mechanical safety procedures. This document is not intended to be a guide for "do it yourself" repair of the subject equipment by anyone who has not successfully completed a formal technical training course on the subject equipment. Users of this document are advised that A.B. Dick/Itek Graphix shall not be liable for any personal injury or property damage arising out of the use of this document by untrained persons.

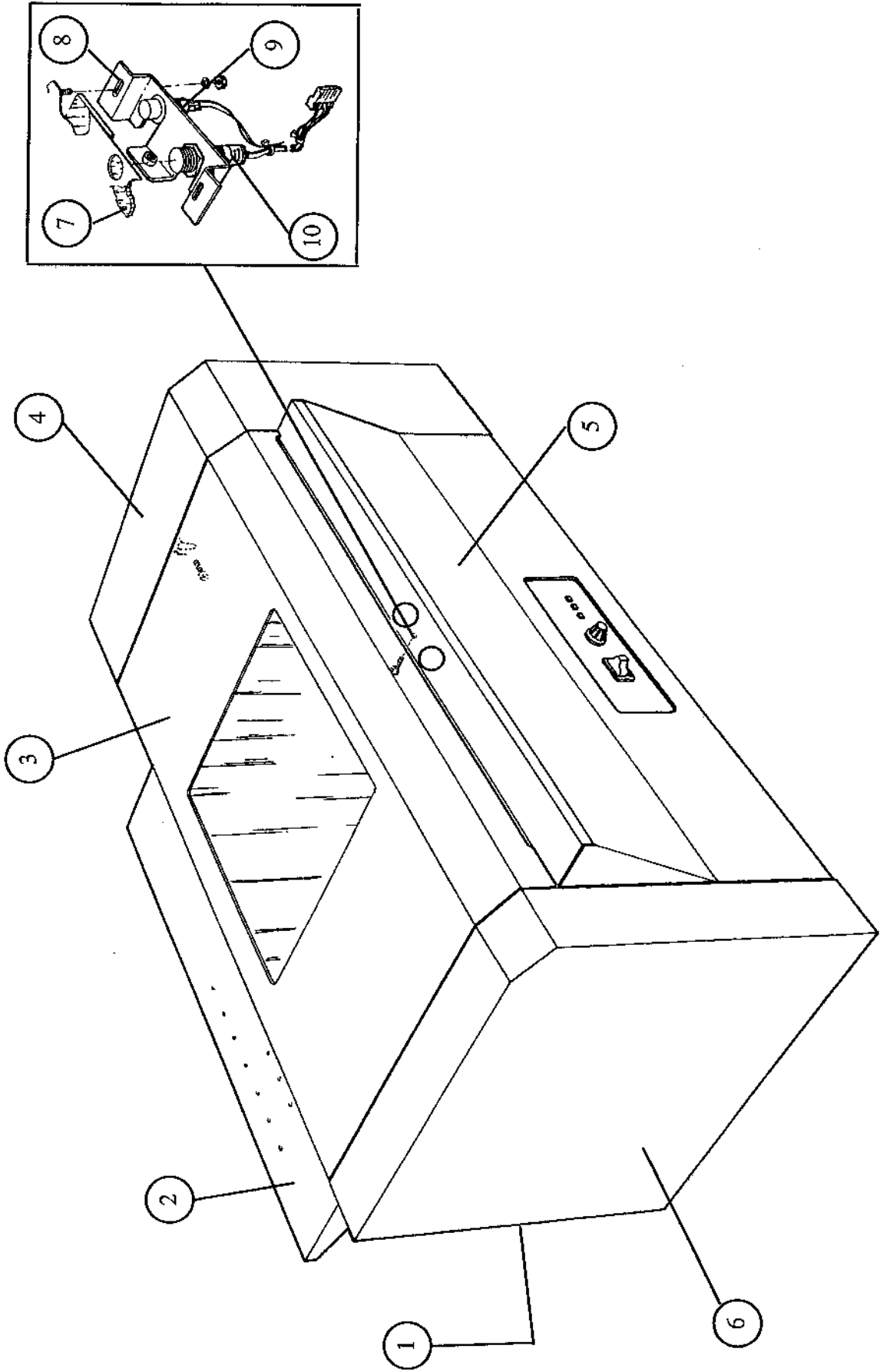
This equipment complies with the requirements in Part 15 of FCC Rules for a Class A computing device. Operation of this equipment in a residential area may cause unacceptable interference to radio and TV reception requiring the operator to take whatever steps are necessary to correct the interference.

SPP22-ST PARTS

TABLE OF CONTENTS

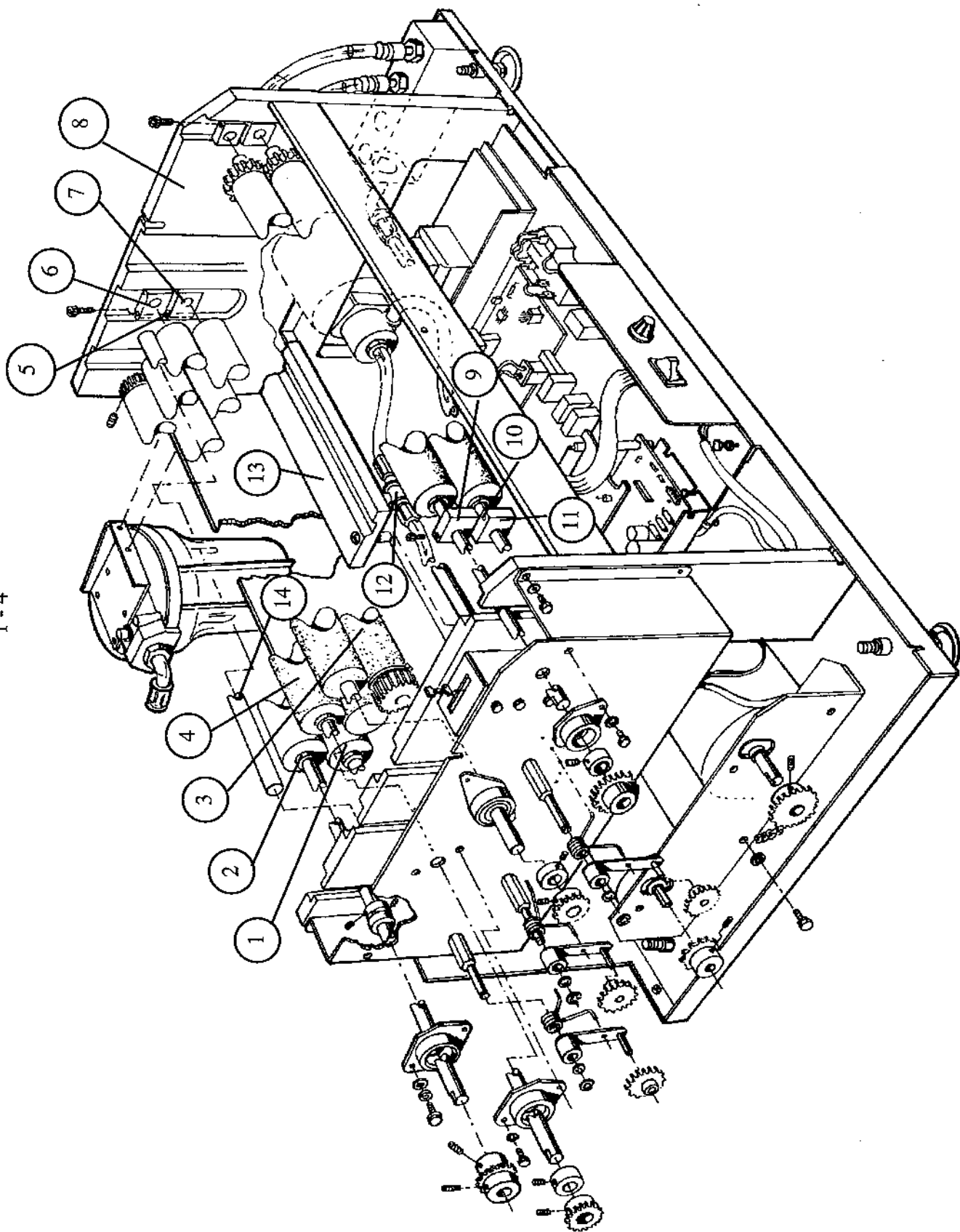
COVERS	1-2
MAIN UNIT	1-4
ELECTRONICS SHELF	1-10
REAR VIEW	1-14
HOSE SIDE	1-16
CHAIN SIDE	1-18

1-2



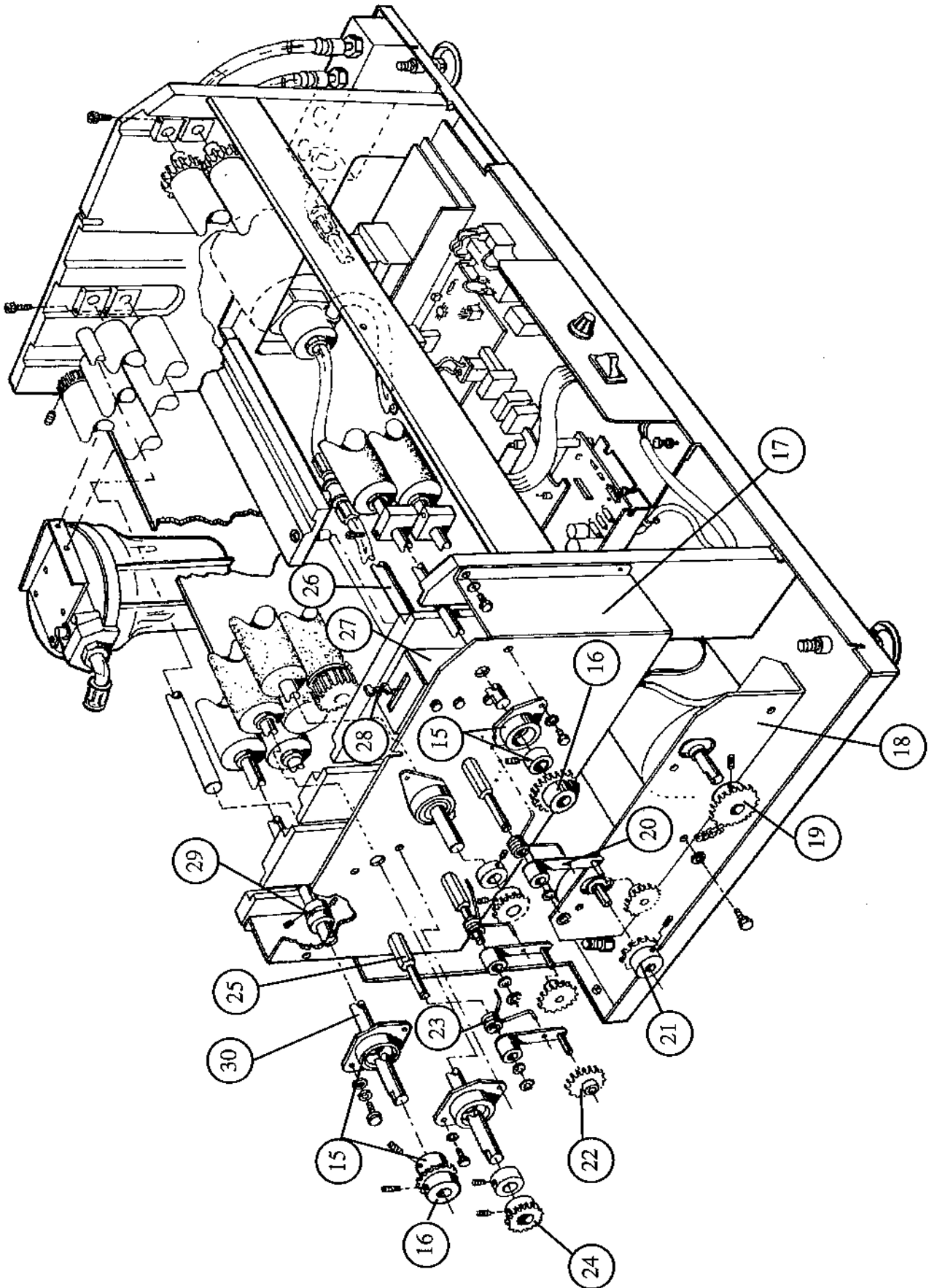
REF.	DESCRIPTION	PART NO.	QTY.
1	Base and Rear Panel Assy.	21178200	1
2	Receiver Tray	21174700	1
3	Top Cover	21181600	1
	Window	21175700	1
4	Right Side Cover	21174900	1
	Logo Itek	20602601	1
	Hex Head Screw, 1/4-20 x 1/2	H6861	1
	Lock Washer - spring lock 1/4	H1553	1
	Plain Washer, 1/4	H1562	1
5	Feed Table	21181700	1
	Hex Head Screw, 1/4-20 x 1/2	H6861	1
	Foam Tape	40151201	24.25"
6	Left Side Cover	21175200	1
	Cup Screw, 10-32 x 3/4	H2731	1
7	Sensor window	21178800	1
8	Bracket	21178900	1
	Hex Nut w\Lock Washer, 10-32	H9042	2
	Plain Washer, #10	H1560	2
9	LED Lamp 24V	21204200	1
	Indicator Lamp Socket	21204300	1
	Red Lamp Lens	21204400	1
10	Sensor	21179101	1

1-4

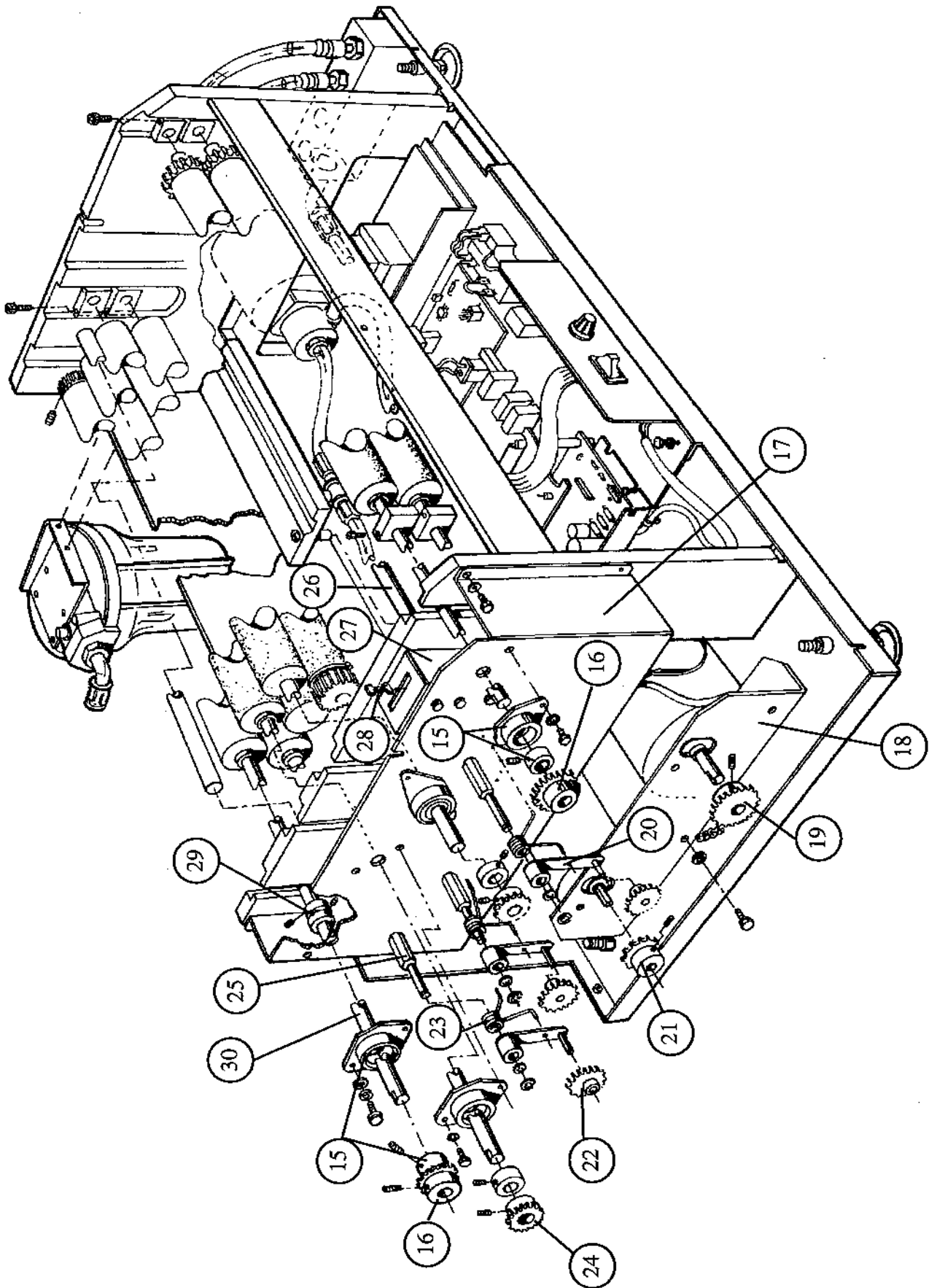


REF.	DESCRIPTION	PART NO.	QTY.
1	Lower Squeegee Roller Gear	21177401	2
2	Upper Squeegee Roller Gear	21180900 21176601	2
3	Lower Scrub Roller Only Cover Tie Wrap	21180900 21180700 21176500	2
4	Upper Scrub Roller Only Cover Tie Wrap Gear	E0230701 21177500 21180600	4 2
5	Spring	21176500	25" x 2
6	Upper Block Hex Head Screw, 1/4-20 x 2 SST	21177500 40149608	4
7	Lower Block	21177500	2
8	Tank Splash Guard (rear) Tape (double sided for guard) Foam Tape Tape (double sided adhesive) Upper Block Hex Head Screw, 1/4-20 x 2 SST	H3227 21171101 21174600 21258400 40151331 40151339 40151371	8 4 1 1 6.5" 9.5" x 2 9.5" x 2
9	Hex Nut Jam 1/4-20 Lower Block Tee Soak Plate Spacer	21171102 H3227 H1454 21171101 21181500	4 8 8 4 1
10	Hex Head Screws (in tank) 1/4-20 x 1/2	21177600	1
11	Spray Tube (rear)	21182200	2
12		H6861	4
13		21177100	2

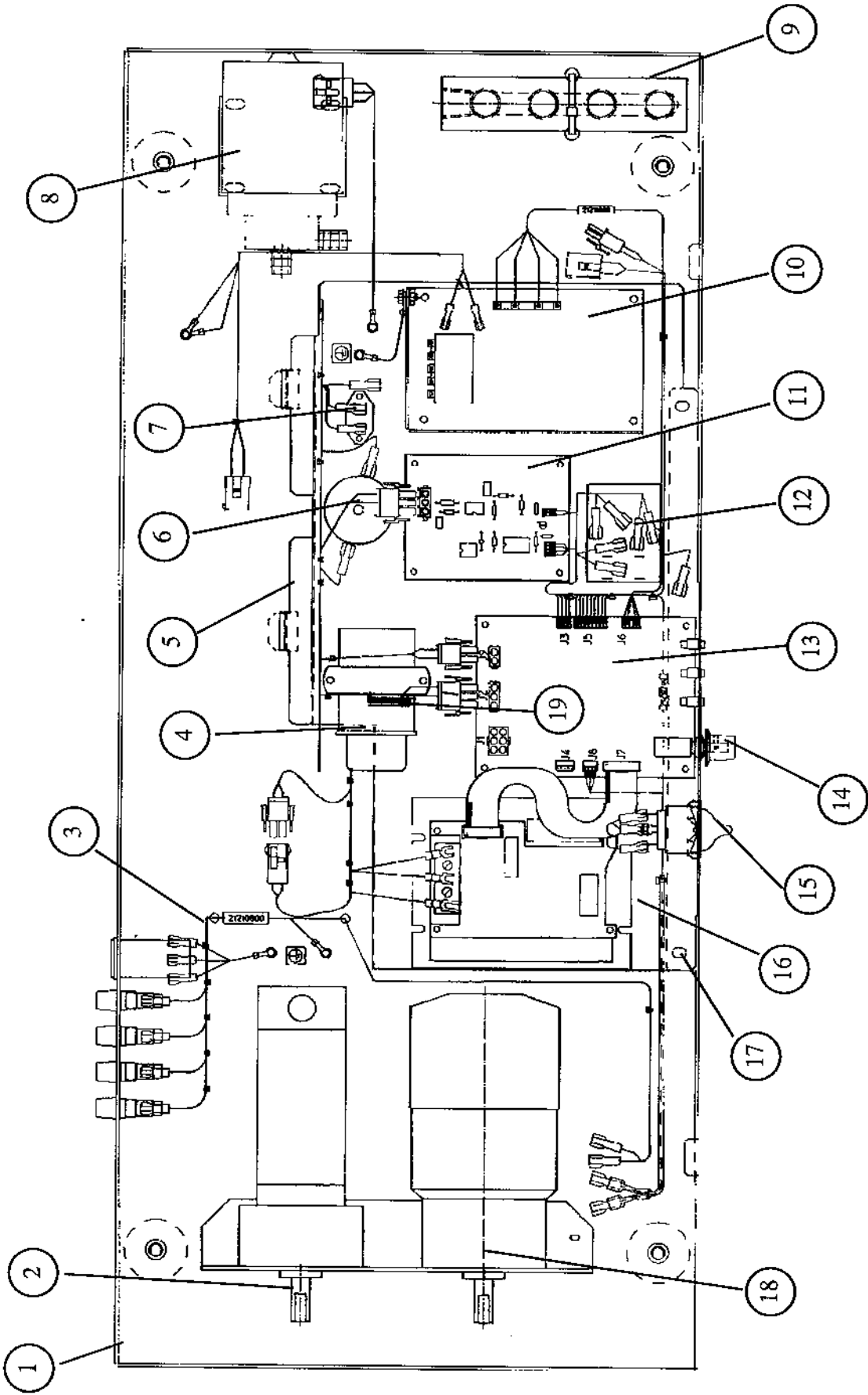
1-6



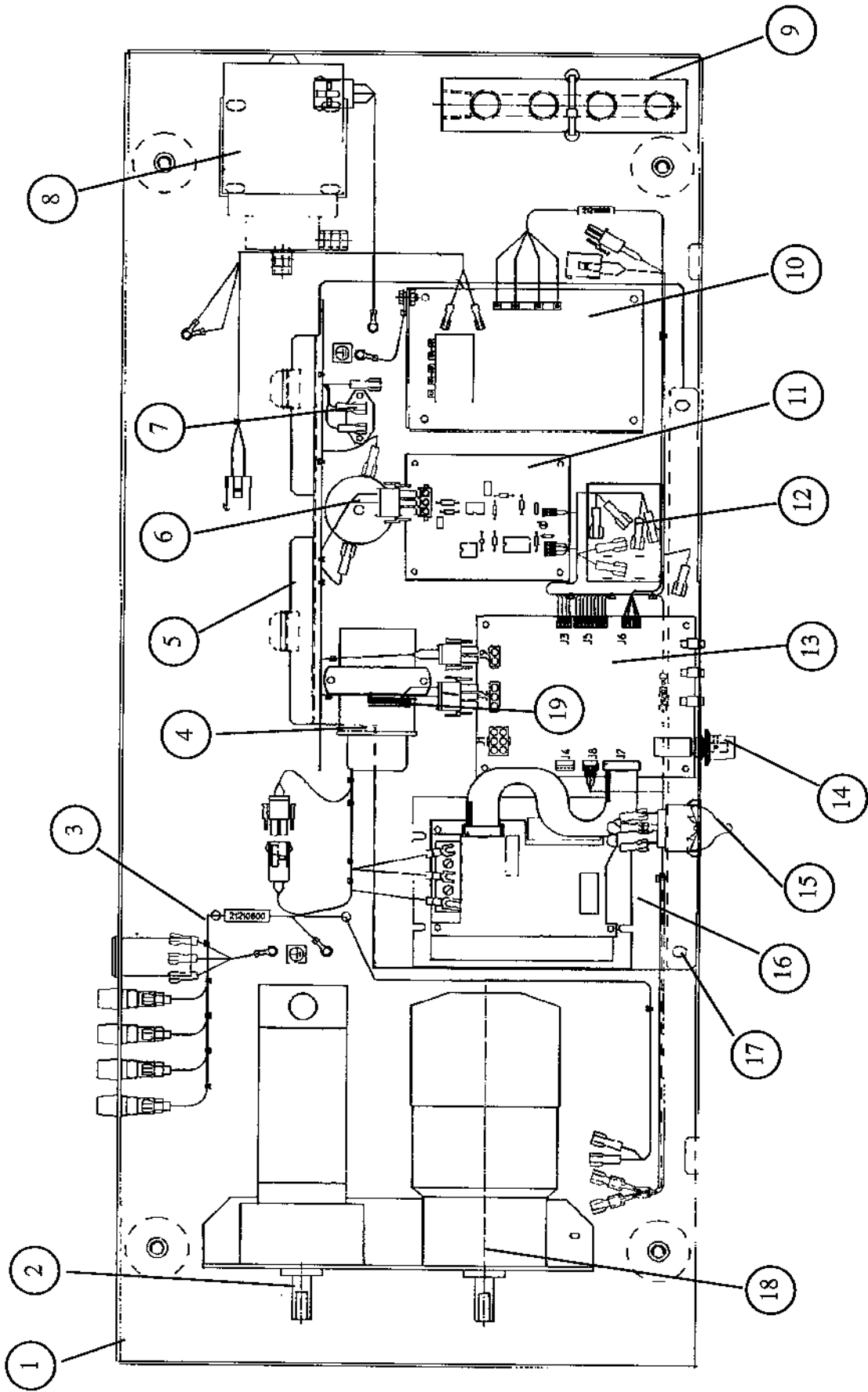
REF.	DESCRIPTION	PART NO.	QTY.
15	Bearing	21175100	4
	Hex Head Screw, 1/4-20 x 1/2	H6861	8
	Lock Washer, Spring Lock 1/4	H1553	8
	Plain Washer, 1/4	H1562	8
16	Sprocket	40150832	2
	Set Screw, 10-32 x 3/8	H1164	4
17	Bearing Mounting Plate	21177700	1
	Hex Head Screw, 1/4-20 x 3/4	H6862	4
	Lock Washer, Spring Lock 1/4	H1553	4
18	Base and Rear Panel Assy.	21178200	1
19	Sprocket	40150833	1
	Set Screw, 10-32 3 3/8	H1164	2
20	Tensioner Arm	21182800	3
	Spacer	40140778	3
	Washer, Plain #2	H1567	3
	E Clip, 1/4	H9331	3
21	Sprocket	40150832	1
	Set Screw, 10-32 x 3/8	H1164	2
22	Sprocket	40150819	3
	Retainer	H9286	3
23	Spring	40149916	3
24	Sprocket	40150834	2
	Set Screw, 10-32 x 3/8	H1164	4
25	Pivot Stud	21184400	3
	Hex Head Screw, 1/4-20 x 1/2	H6861	3
26	Spray Tube	21177000	1



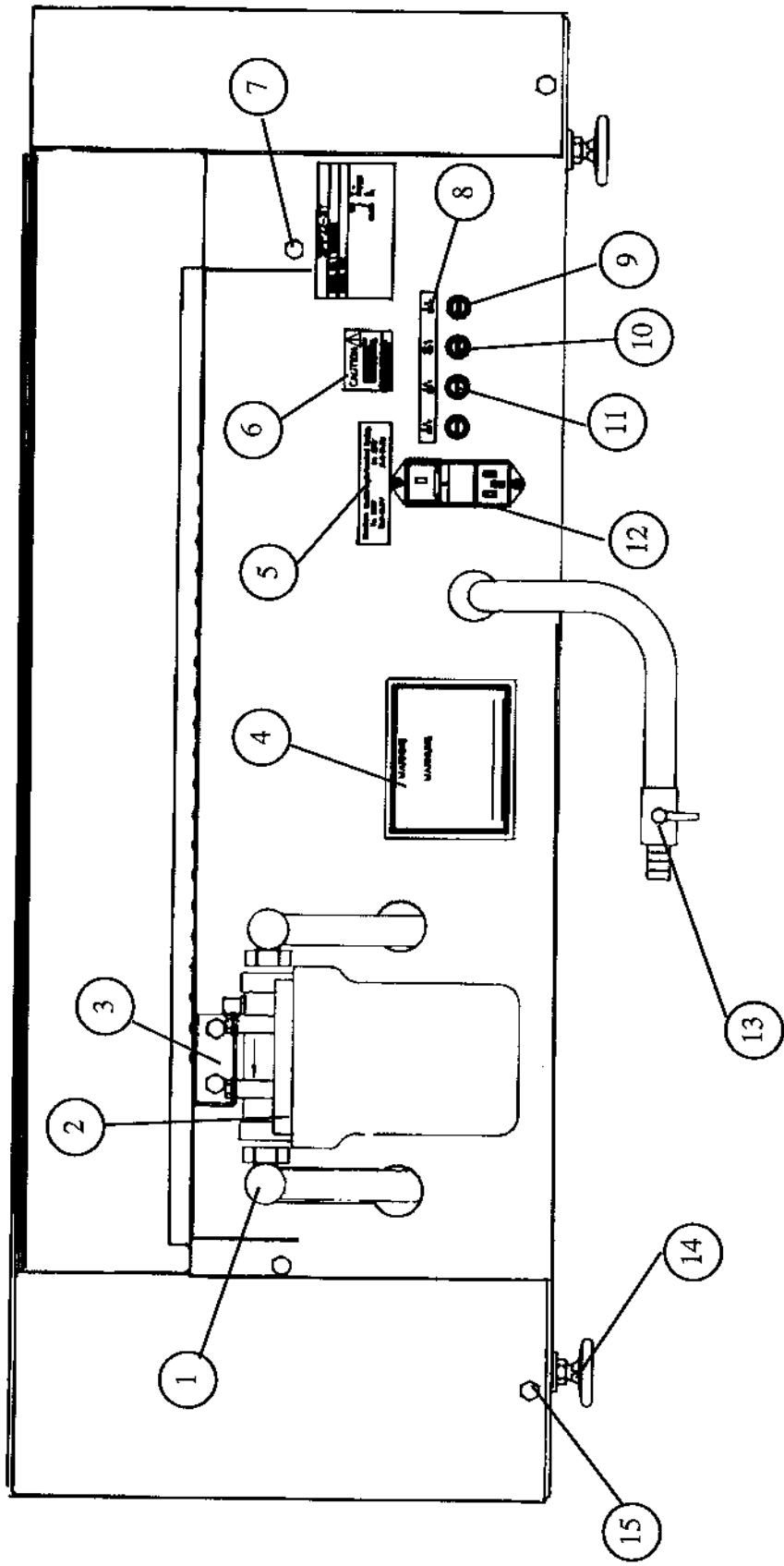
REF.	DESCRIPTION	PART NO.	QTY.
27	Interlock Switch Cover	2119700	1
	Hex Head Screw, 1/4-20 x 1/4	H6861	1
	Lock Washer - spring lock 1/4	H1553	1
	Plain Washer, 1/4	H1562	1
	Interlock Switch	20286901	1
	Interlock Switch Bracket	21179600	1
	Hex Head Screw, 1/4 x 20 x 1/2	H6861	2
	Lock Washer - spring lock 1/4	H1553	2
28	Interlock Switch Service Key	20323301	A/R
29	Coupling	21175000	4
30	Shaft	21176900	4



REF.	DESCRIPTION	PART NO.	QTY.
1	Base & Rear Panel	21178200	1
	Squeegee Drive Motor	21196501	1
	Hex Head Screw, 10-32 x 3/8	H6851	2
	Lock Washer - spring #10	H1552	2
	Plain Washer #10	H1560	2
3	Push Cable Tie Mount	20133301	6
	Tie Wrap	E0230700	6
4	Capacitor	08700143	
	Hex Head Screw, 8-32 x 3/4	H6843	2
	Lock Wahser - spring #8	H1551	2
5	Electric Mounting Plate	21208400	1
6	Choke	20508801	1
	Pan Head Screw, 8-32 x 3/4	H4726	1
	Lock Washer - spring #8	H1551	1
7	Triac	20118201	1
	Hex Head Screw, 6-32 X 1/4	H6836	2
	Lock Washer - Spring #6	H1550	2
	Plain Washer #6	H1564	2
8	Pump	21175900	1
	Hex Head Screw, 10-32 x 3/8	H6851	2
	Lock Washer - spring #10	H1552	2
	Plain Washer #10	H1560	2
9	Manifold	21176000	1
	Tie Wrap	E0230704	1
10	Power Supply	21211000	1
	Hex Head Screw, 6-32 x 1/4	H6838	4
	Lock Washer - spring #6	H1550	4
11	Temperature Control Board	20890702	1
	Stand off	20293401	4

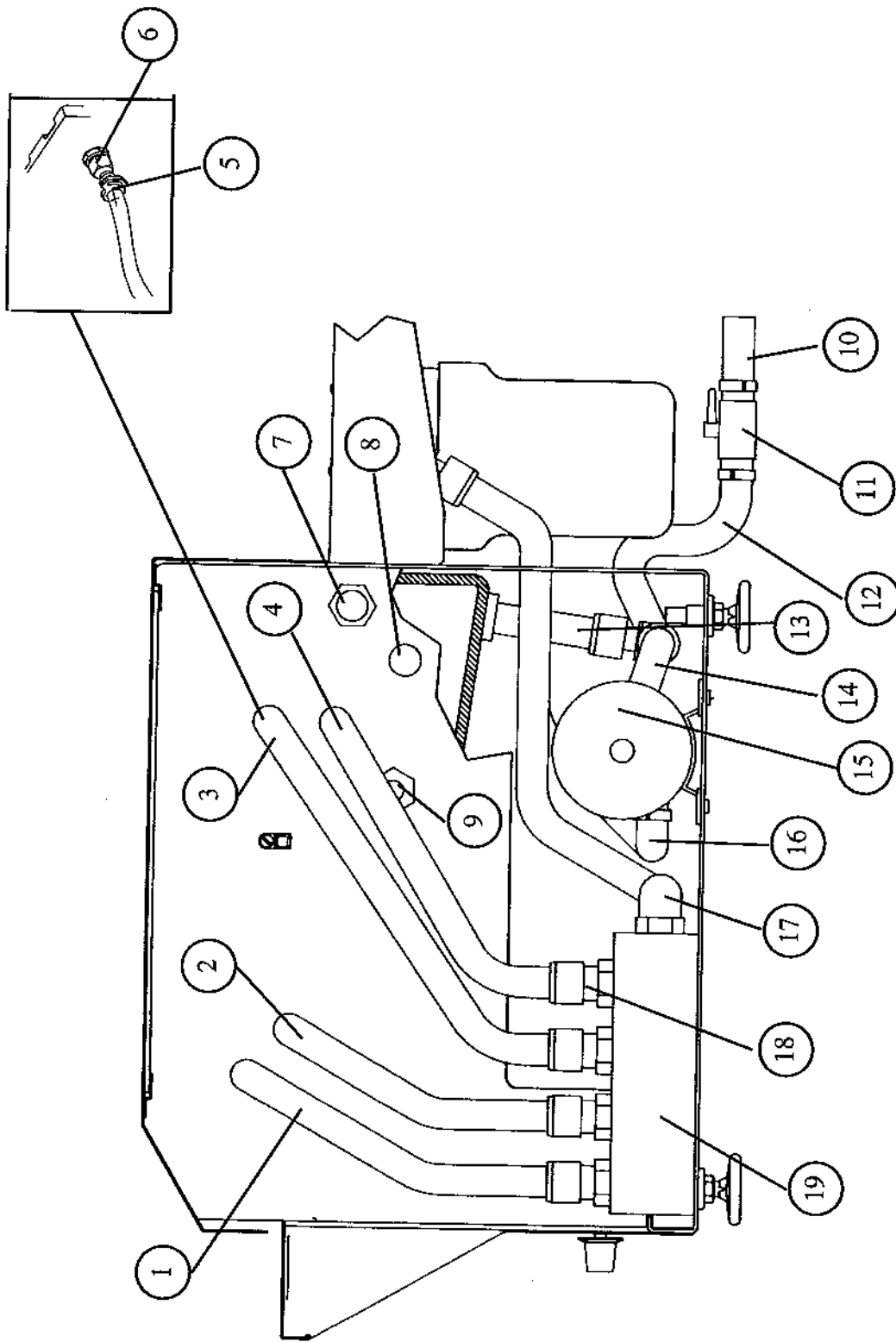


REF.	DESCRIPTION	PART NO.	QTY.
12	Time Delay	21211700	1
	Pan Head Screw, 8-32 x 3/8	H4721	2
	Lock Washer - spring #8	H1551	2
13	Logic and Control Board	21206000	1
	Standoff (.38)	20293401	2
	Standoff	20303501	2
	Pan Head Screw, 6/32 x 3/8	H0654	2
14	Knob	03684300	1
15	Switch	21187000	1
16	Motor Speed Control	21209100	1
	Hex Head Screw, 8-32 X 3/8	H6843	2
	Lock Washer - spring #8	H1551	2
	Plain Washer, #8	H1563	2
17	Hex Head Screw, 1/4-20 x 1/2	H6861	2
	Lock Washer - spring lock 1/4	H1553	2
	Plain Washer, 1/4	H1562	2
18	Scrub Drive Motor	21186901	1
	Hex Head Screw, 10-32 x 3/8	H6851	2
	Lock Washer - spring #10	H1552	2
	Plain Washer, #10	H1560	2
19	Fuse Holder	21248200	1
	Fuse/Fuse Cap	21248300	1



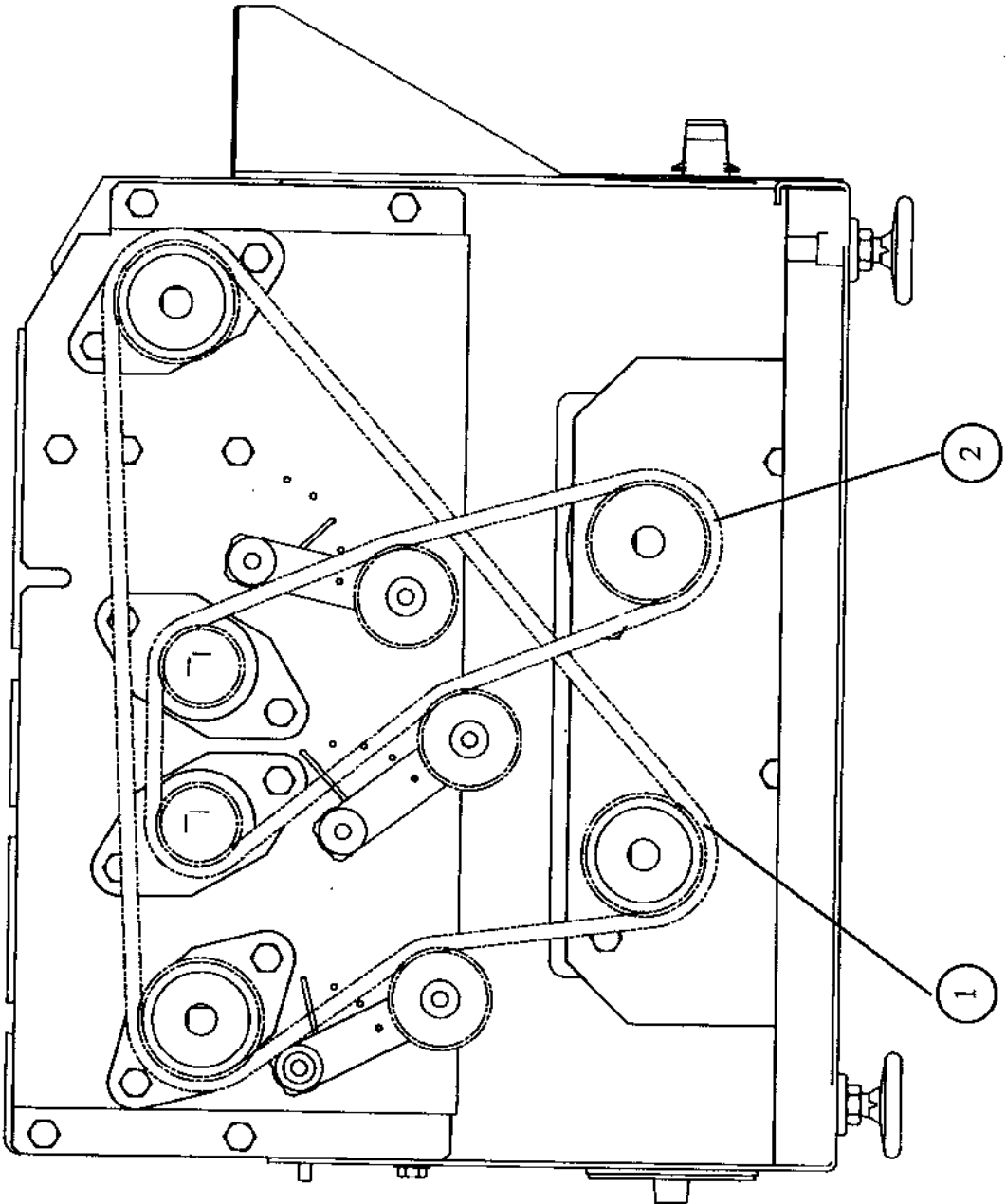
REF.	DESCRIPTION	PART NO.	QTY.
1	Elbow Connector	21178000	2
2	Filter Housing	21212400	1
	Filter Cartridge	21228100	1
3	Pan Head Self-Tapping Screw, 10-16 x 1/2	H2694	4
	Bracket	21176300	1
	Hex Nut w/lock washer, 10-37	H9042	2
	Plain Washer #10	H1550	2
4	Label	21060200	1
5	Label	21212001	1
6	Label	21060100	1
7	Hex Head Screw, 1/4-20 x 1/2	H6861	2
8	Label	21212600	1
9	Fuse Holder	19781301	1
	Fuse	08700918	1
10	Fuse Holder	19781301	1
	Fuse	08700906	1
11	Fuse Holder	19781301	2
	Fuse	08700909	2
12	Power Switch	21211200	1
	Fuse Drawer	21211300	1
	Switch Boot	21211400	1
	Fuse	08700931	2
	Screw, 4-40 x 3/16 flat head	H0378	1
	Line Cord (not shown)	206349	1
13	Valve	21061000	1
14	Leveling Foot	19604101	4
	Hex Jam Nut	H1231	4
15	Hex Head Screw, 1/4-20 X 1/2	H6861	2
	Lock Washer - spring lock 1/4	H1553	2
	Plain Washer, 1/4	H1562	2

1-16



REF.	DESCRIPTION	PART NO.	QTY.
1	Hose	40161726	10.0"
2	Hose	40161726	9.25"
3	Flow Restrictor	40150189	1
4	Hose	40161726	13.0"
5	Hose	40161726	11.0"
6	Liquid Tight Fitting Pipe	40143910	4
7	Liquid Level Switch	40132605	4
8	Temperature Sensor Gasket	21177800	4
9	Heater (450W)	21172600	1
10	Hose	21222600	1
11	Valve	01351005	2
12	Hose Clamp	21178101	1
13	Hose	40161726	48.0"
14	Hose	21061000	1
15	Pump	40143910	2
	Hex Head Screw, 10-32 x 3/8	40161726	22.0"
	Lock Washer - spring #10	40161726	1.5"
	Plain Washer #10	21181500	1
	Hose	40161726	12.0"
16	Hose	21175900	1
	Hex Head Screw, 10-32 x 3/8	H6851	2
	Lock Washer - spring #10	H1552	2
	Plain Washer #10	H1560	2
17	Hose Clamp	40161726	24.0"
18	Hose	40143910	2
19	Elbow	21178000	1
	Hose	40161726	15.25"
	Hose Fiting	21175800	4
	Manifold	21176000	1
	Tie Wrap	E0230704	1

1-18



REF.	DESCRIPTION	PART NO.	QTY.
1	Squeegee Drive Chain	40144672	
2	Scrub Drive Chain	40144651	

