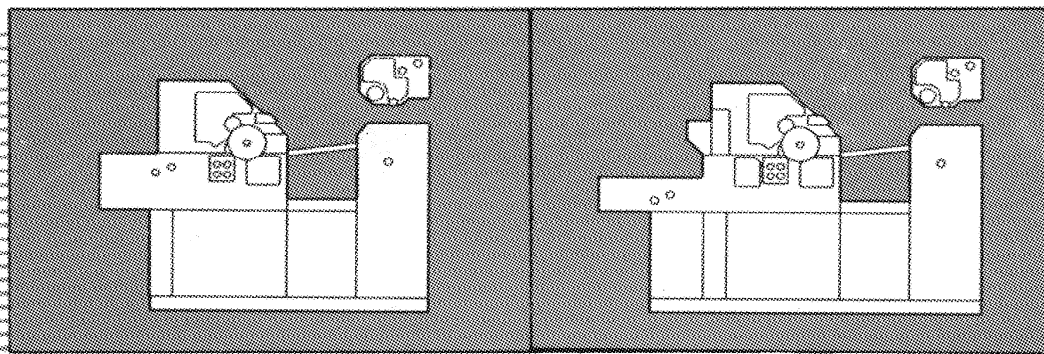


SMALL OFFSET PRESS

HAMADA

Superb 47 - Superb 47S
Superb 47-NP - Superb 47S-NP



PARTS CATALOG

(1st-REVISION)

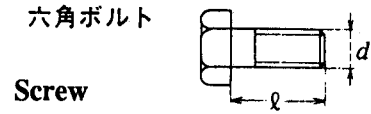
 **HAMADA**

HAMADA PRINTING PRESS CO., LTD.

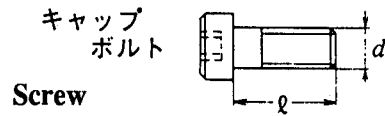
Section	No.	Description	Fig.No.
Feeder	(1)	Paper Table and Paper Guide	H1001
	(2)	Feeder Frame and Paper Guide	H1002
	(3)	Double Sheet Detector	H1003
	(4)	Suction Foot	H1004
	(5)	Height Control	H1005
	(6)	Feed Roller and Drive Pulley	H1006
	(7)	Suction Valve and Pullout Roller Timing Cam	H1007
	(8)	Paper Table Elevator Drive Unit	H1008
	(9)	Pullout Roller and Skid Wheel	H1009
	(10)	Conveyor Table	H1010
	(11)	Conveyor Table	H1011
	(12)	Side Register	H1012
	(13)	Pump and Motor	H1013
	(14)	Air Piping and Control Valve	H1014
Press	(15)	Frame and Hand-wheel	H1015
	(16)	Lower Feed Roller	H1016
	(17)	Impression Cam and Counter	H1017
	(18)	Upper Feed Roller	H1018
	(19)	Head Stop Control Device	H1019
	(20)	Clutch and Pulley	H1020
	(21)	Blanket Cylinder	H1021
	(22)	Impression Cylinder	H1022
	(23)	Plate Cylinder (Type 1A, 1B, 4C)	H1023
	(24)	Vertical Micrometer Adjustment Plate Cylinder (Type 3)	H1024
	(25)	Single Lever and Form Roller Shaft	H1025
Dampening /Inking	(26)	Ductor Roller, Distributor Roller and Dampening Form Roller	H1026
	(27)	Dampening Fountain Roller	H1027
	(28)	Dampening Fountain Bottle	H1028
	(29)	Ink Oscillator Roller and Timing Shaft	H1029
	(30)	Ink Fountain Roller and Ductor Roller	H1030
	(31)	Night Latch and Clean up Attachment	H1031
	(32)	Distributor Roller	H1032
Covers	(33)	Covers (OPS)	H1033
	(34)	Covers (NOPS)	H1034
	(35)	Cylinder Guard	H1035
	(36)	Base Frame	H1036
	(37)	Spray Bottle Assy	H1037
Delivery	(38)	CD Sprocket and Gripper Bar Assy	H1038
	(39)	Delivery Pile Guide and Paper Guide	H1039
	(40)	Florescent Work Light and Back Guide Drive Lever	H1040
	(41)	Relative Parts for Delivery Pile Ratchet Plate	H1041
	(42)	Back Guide	H1042
	(43)	Delivery Dolly	H1043
	(44)	Tool	H1044
	(45)	Non-Rotating Hand Wheel	H1045
	(46)	Vertical Micrometer Adjustment Plate Cyl. (Type 1A, 1B)	H1046

規格部品リスト

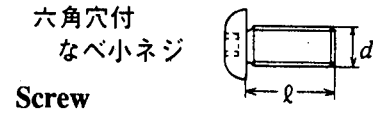
STANDARD STOCK PARTS NO.



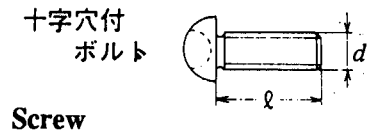
	$d \times l$
101-362	M 6 x 12
101-372	M 6 x 22
101-381	M 6 x 35
101-382.55	M 6 x 40
101-466	M 8 x 16
101-481	M 8 x 35
101-489.5	M 8 x 75
101-530	M 5 x 30
101-556	M10 x 16
101-560	M10 x 20
101-570	M10 x 30



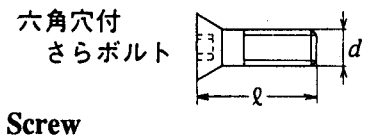
	$d \times l$
117-315	M 3 x 15
117-360	M 6 x 10
117-362	M 6 x 12
117-365	M 6 x 15
117-368	M 6 x 18
117-370	M 6 x 20
117-375	M 6 x 25
117-380	M 6 x 30
117-383	M 6 x 45
117-385	M 6 x 55
117-410	M 4 x 10
117-415	M 4 x 15
117-430	M 4 x 30
117-470	M 8 x 20
117-475	M 8 x 25
117-480	M 8 x 30
117-481	M 8 x 35
117-508	M 5 x 8
117-510	M 5 x 10
117-510.01	M 5 x 10
117-512	M 5 x 12
117-512.01	M 5 x 12
117-515	M 5 x 15
117-518	M 5 x 18
117-520	M 5 x 20
117-522	M 5 x 22
117-525	M 5 x 25
117-530	M 5 x 30
117-531.01	M 5 x 35
117-574	M10 x 50



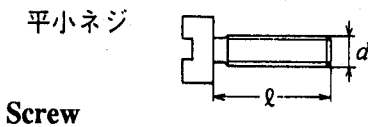
	$d \times l$
125-606	M 3 x 6
125-608	M 3 x 8
125-610	M 3 x 10
125-615	M 3 x 15
125-618	M 3 x 18
125-625	M 3 x 25
125-655	M 4 x 5
125-656	M 4 x 6
125-658	M 4 x 8
125-658.01	M 4 x 8
125-660	M 4 x 10
125-662	M 4 x 12
125-665	M 4 x 15
125-670	M 4 x 20
125-672	M 4 x 22
125-680	M 4 x 30
125-705	M 5 x 5
125-706	M 5 x 6
125-708	M 5 x 8
125-708.001	M 5 x 8
125-710	M 5 x 10
125-710.01	M 5 x 10
125-712	M 5 x 12
125-715	M 5 x 15
125-718	M 5 x 18
125-720	M 5 x 20
125-722	M 5 x 22
125-725	M 5 x 25
125-730	M 5 x 30
125-732	M 5 x 40
125-756	M 6 x 6
125-758	M 6 x 8
125-760	M 6 x 10
125-762	M 6 x 12
125-765	M 6 x 15
125-770	M 6 x 20
125-772	M 6 x 22



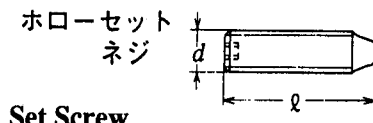
	$d \times l$
125-156.01	M 5 x 6



	$d \times l$
122-006	M 3 x 6
122-056	M 4 x 6
122-058	M 4 x 8
122-060	M 4 x 10
122-065	M 4 x 15
122-108	M 5 x 8
122-110	M 5 x 10
122-112	M 5 x 12
122-115	M 5 x 15
122-132	M 5 x 40
122-162	M 6 x 12
122-165	M 6 x 15
122-168	M 6 x 18
122-765	M 8 x 15
122-770	M 8 x 20
122-772	M 8 x 22

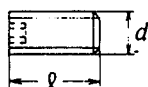


	$d \times l$
111-314	M 3 x 14



	$d \times l$
140-360	M 6 x 10
140-362	M 6 x 12
140-370	M 6 x 20
140-470	M 8 x 20

ホローセット
ネジ



Set Screw

	$d \times l$
145 - 306	M 3 x 6
145 - 355	M 6 x 5
145 - 356	M 6 x 6
145 - 358	M 6 x 8
145 - 360	M 6 x 10
145 - 365	M 6 x 15
145 - 404	M 4 x 4
145 - 406	M 4 x 6
145 - 408	M 4 x 8
145 - 410	M 4 x 10
145 - 460	M 8 x 10
145 - 505	M 5 x 5
145 - 506	M 5 x 6
145 - 508	M 5 x 8
145 - 510	M 5 x 10
145 - 515	M 5 x 15
145 - 520	M 5 x 20
145 - 556	M10 x 16
145 - 565	M10 x 15

ロックワッシャ



Lock Washer

	d
180 - 103	3 ϕ
180 - 104	4.1 ϕ
180 - 104.01	4.1 ϕ
180 - 105	5 ϕ
180 - 105.01	5 ϕ
180 - 106	6 ϕ
180 - 108	8 ϕ
180 - 110	10 ϕ
180 - 112	12 ϕ

ワッシャ



Flat Washer

	d
184 - 104	4.3 ϕ
184 - 105	5.3 ϕ
184 - 106	6.4 ϕ
184 - 106.3	6.4 ϕ
184 - 108	8.4 ϕ
184 - 110	10.5 ϕ
184 - 112	13 ϕ
184 - 114	15 ϕ
184 - 116	16 ϕ

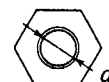
E型ワッシャ



E-Ring

	d
181 - 403	3 ϕ
181 - 404	4 ϕ
181 - 405	5 ϕ
181 - 406	6 ϕ
181 - 408	8 ϕ
181 - 410	10 ϕ
181 - 412	12 ϕ
181 - 415	15 ϕ

六角ナット



Nut

	d
170 - 103	M 3
170 - 104	M 4
170 - 105	M 5
170 - 106	M 6
170 - 108	M 8
170 - 108.3	M 8
170 - 110	M10
170 - 110.3	M10
170 - 112	M12

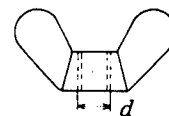
サークリップ



Cir Clip

	d
181 - 012	12 ϕ
181 - 020	20 ϕ
181 - 025	25 ϕ

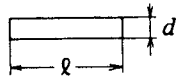
蝶ナット



Wing Nut

	d
163 - 105	M 5

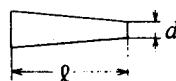
スプリングピン



Roll Pin

	$d \times l$
183 - 139	1.6φ x 8
183 - 140	1.6φ x 10
183 - 142	1.6φ x 14
183 - 150	2φ x 10
183 - 152	2φ x 14
183 - 167	2.5φ x 14
183 - 168	2.5φ x 16
183 - 180	3φ x 10
183 - 181	3φ x 12
183 - 182	3φ x 14
183 - 183	3φ x 16
183 - 185	3φ x 20
183 - 186	3φ x 22
183 - 187	3φ x 25
183 - 189	3φ x 32
183 - 203	4φ x 16
183 - 204	4φ x 18
183 - 205	4φ x 20
183 - 206	4φ x 22
183 - 207	4φ x 25
183 - 208	4φ x 28
183 - 209	4φ x 32
183 - 211	4φ x 40
183 - 225	5φ x 20
183 - 229	5φ x 32

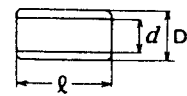
テーパピン



Taper Pin

	$d \times l$
182 - 146	3φ x 22
182 - 149	3φ x 32
182 - 167	4φ x 25
182 - 169	4φ x 32
182 - 170	4φ x 36
182 - 171	4φ x 40
182 - 189	5φ x 32
182 - 192	5φ x 45

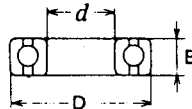
オイルス
ドライメット



Bushing

	$d \times D \times l$
243 - 607	8 x 10 x 6
243 - 608	8 x 10 x 8
243 - 609	8 x 10 x 10
243 - 612	10 x 12 x 10
243 - 619	12 x 14 x 15
243 - 620	12 x 14 x 20
243 - 625	14 x 16 x 20
243 - 642	20 x 23 x 20

ベアリング



Bearing

	$d \times D \times l$
250 - 000.7	10 x 26 x 8
250 - 000.6	10 x 26 x 8
250 - 003.6	17 x 35 x 10
250 - 126.6	6 x 19 x 6
250 - 127.6	
250 - 138	8 x 28 x 9
250 - 200	10 x 30 x 9
250 - 202.6	15 x 35 x 11
250 - 302.6	15 x 42 x 13

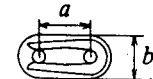
Oリング



O-Ring

	d
324 - 306	5.8 φ
324 - 329	
324 - 344	
324 - 622	

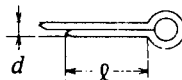
継手リンク



Chain Connecting Link

	$a \times b$
280 - 000.2	1/4
280 - 001.2	3/8
280 - 005.2	1/2

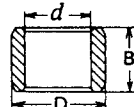
割ピン



Cotter Pin

	$d \times l$
183 - 744	1.6φ x 12
183 - 745	1.6φ x 15
183 - 747	1.6φ x 20
183 - 765	2φ x 15

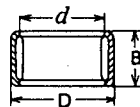
インナースリーブ



Inner Sleeve

	$d \times D \times l$
258 - 259	8 x 12 x 12.5
258 - 271	12 x 15 x 22.5

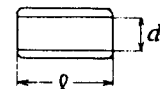
ラジアルニードル
ベアリング



Needle Bearing

	$d \times D \times l$
258 - 012	12 x 18 x 12

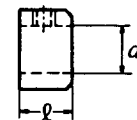
オイルス
メタル



Bushing

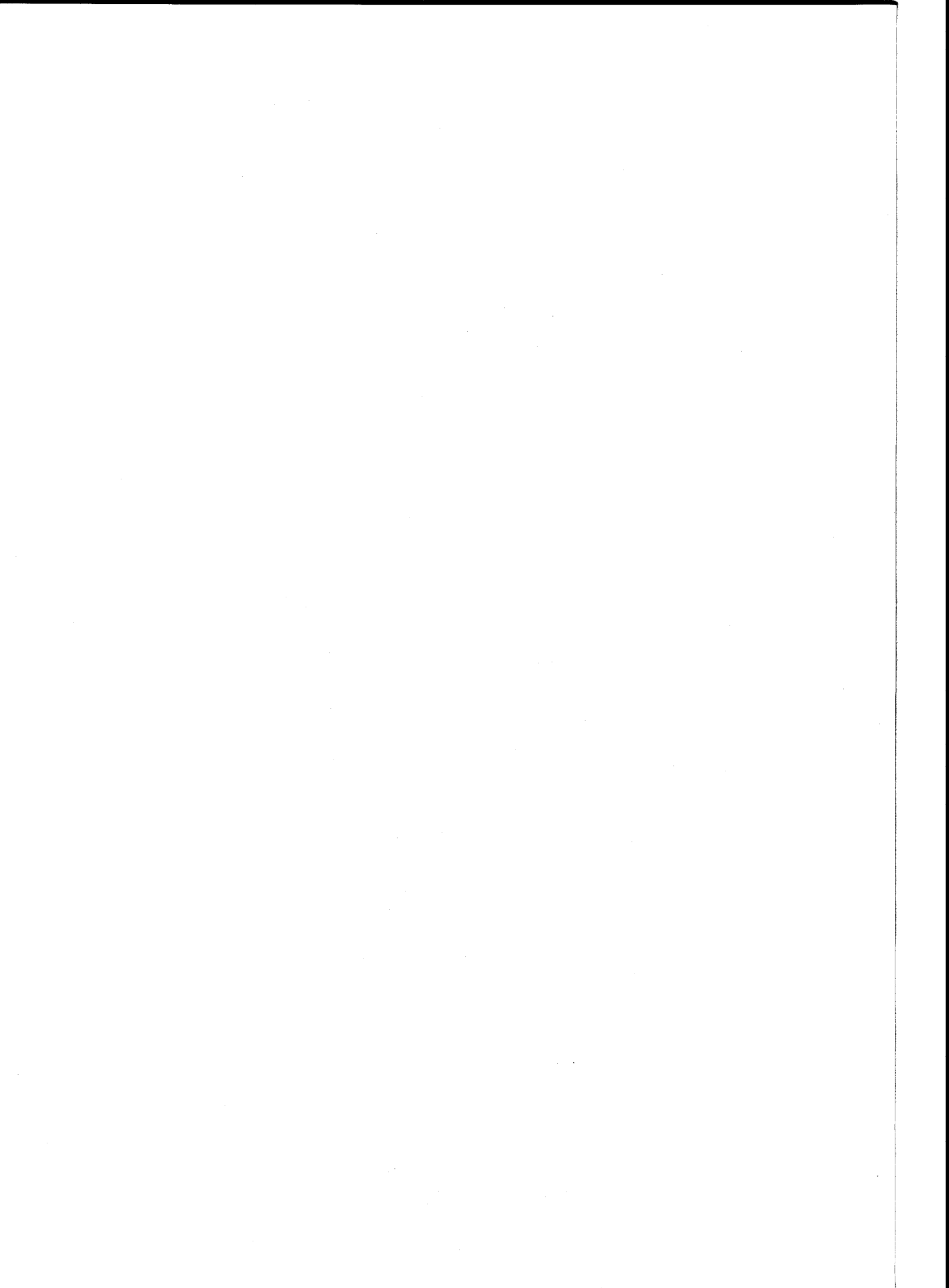
	$d \times l$
241 - 0810.2	8φ x 10

カラー



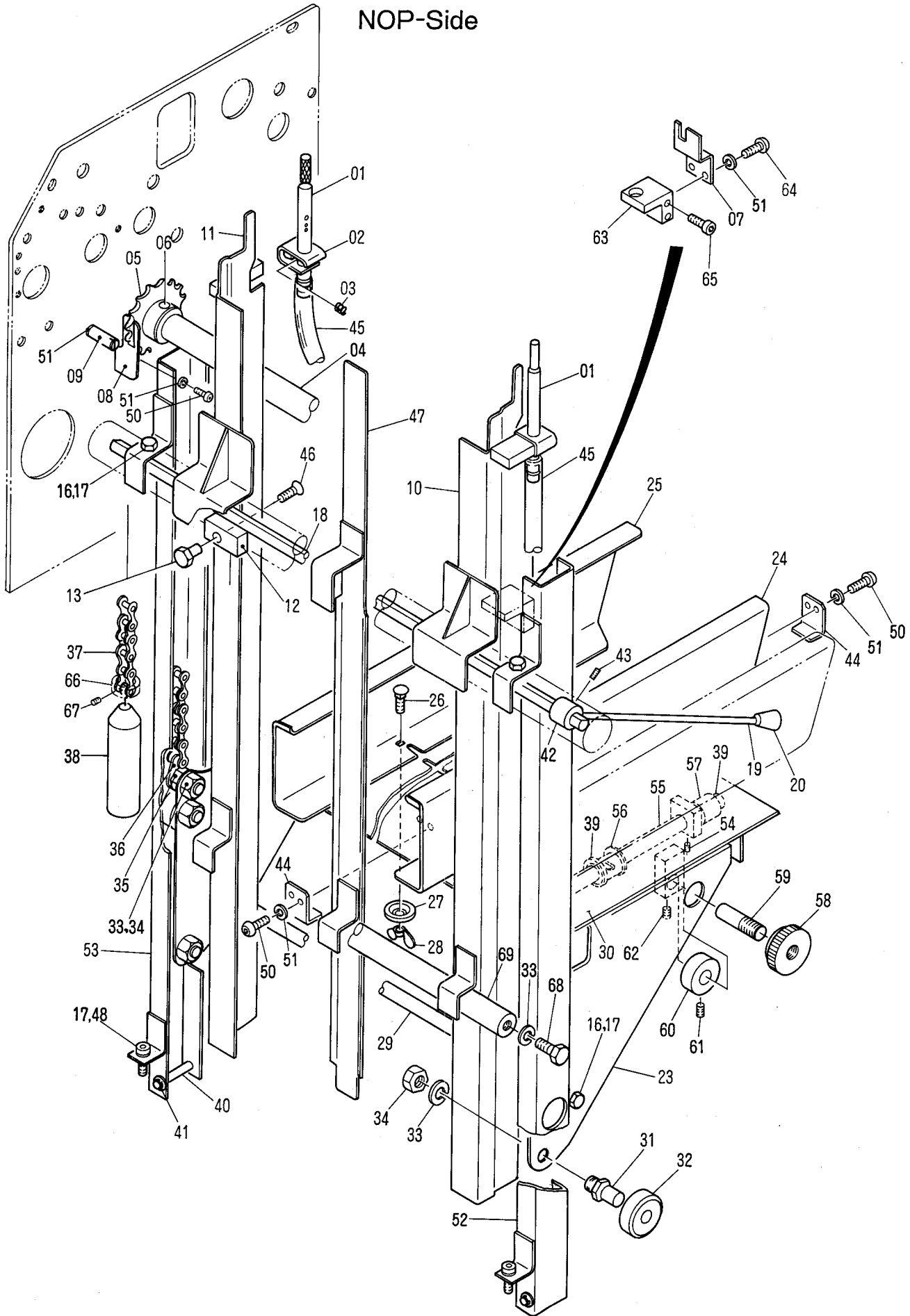
Collar

	$d \times l$
185 - 1615.04	16φ x 15



H1001

NOP-Side



**Feed Section
Paper Table and Paper Guide**

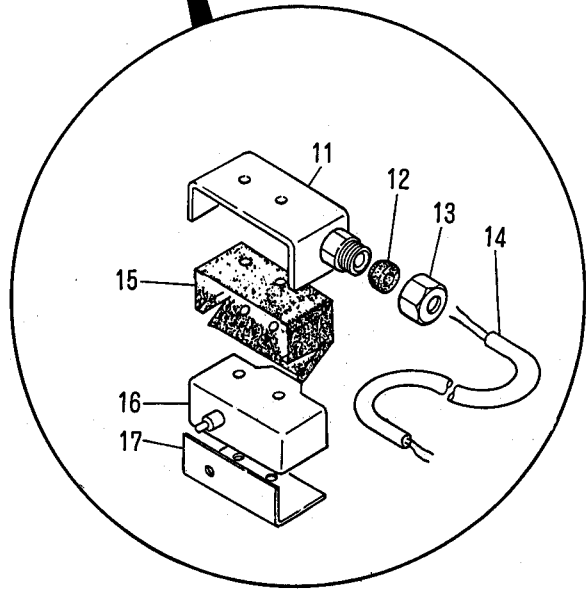
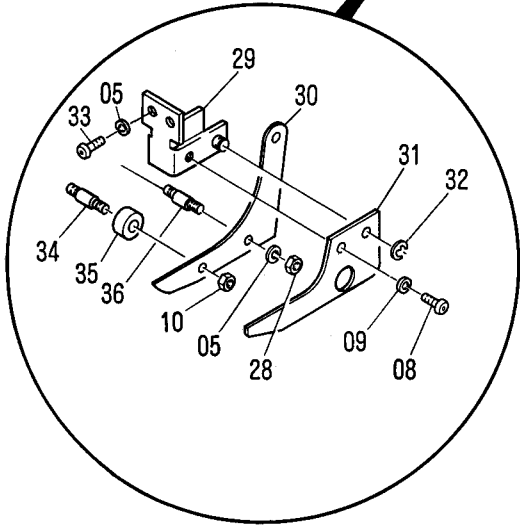
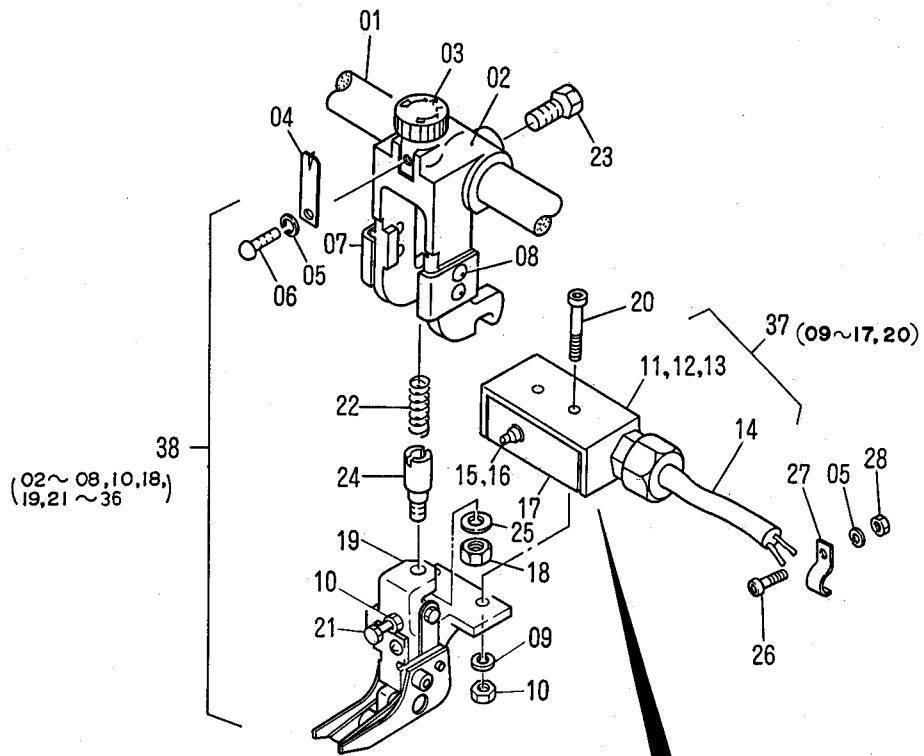
H1001

INDEX No.	Parts No.	Description	Remarks	Units Per Assy
01	5801-12035	Blower Nozzle		2
02	H12-47-1A-3	Blower Nozzle Bracket		2
03	H12-45-3	Blower Nozzle Bracket Spring		2
04	6501-08008	Elevator Sprocket Shaft		1
05	H09-14-3	Elevator Sprocket		2
06	183-209	Roll Pin		2
07	CK06-30	Elevator Chain Guide		1
08	H09-22-3	Elevator Chain Guard	NOPS	1
09	H09-25-3	Elevator Chain Stop		2
10	6501-08001A	Paper Magazine Head Guide Angle	OPS	1
11	6501-08002A	Paper Magazine Head Guide Angle	NOPS	1
12	H12-33-3	Head Guide Channel Locking Block		2
13	H12-34-01-3	Eccentric Shoulder Nut of Lock Angle		2
16	101-362	Screw		6
17	180-106	Lock Washer		6
18	6501-08006	Magazine Head Channel Lock Shaft		1
19	H12-31-3	Magazine Head Channel Lock Shaft Lever		1
20	H12-30-3	Magazine Head Channel Lock Lever Knob		1
23	EH12-01	Paper Table		1
24	H12-06-3	Paper Table Bracket		1
25	H12-05-3	Paper Table Bracket		1
26	H12-15-3	Screw		3
27	H12-16-3	Washer		3
28	163-105	Wing Nut		3
29	H12-02-7	Paper Table Tie Rod		1
30	EH12-02A	Paper Table		1
31	H12-10-01-3	Elevator Guide Roller Stud		4
32	H12-13-3	Elevator Guide Roller		4
33	180-110	Lock Washer		8
34	170-110	Nut		6
35	H12-07-01-3	Chain Lock Stud		2
36	H09-27-3	Elevator Chain Connecting Eyelet		2
37	H09-28-3	Elevator Chain		2
38	H09-29-1A-3	Elevator Chain Weight Assy		2
39	181-410	E-Ring		12
40	H12-19-3	Elevator Stop Pin	OLD	2
41	181-405	E-Ring	OLD	4
42	6501-08011	Collar		1
43	145-505	Set Screw		1
44	KC06-09	Bracket		2
45	H13-51-03-3	Side Blower Hose		2
46	122-165	Screw		2
47	6501-08005A	Paper Magazine Center Guide Channel		1
48	117-362	Screw		2
50	125-708	Screw		10
51	180-105	Lock Washer		14
52	6501-08003A	Elevator Guide Channel	OPS	1
53	6501-08004A	Elevator Guide Channel	NOPS	1
54	145-410	Screw		2
55	EH12-06	Paper Table-Removing Shaft		2
56	EH12-08	Guide Roller		2
57	EH12-07	Guide Roller		4
58	KC06-07	Paper Table Adjustable Knob		1
59	EH12-09	Paper Table Adjustable Screw		1
60	A62-27-3	Collar		1
61	145-358	Set Screw		1
62	145-508	Set Screw		1
63	6501-08021	Chain Stopper		1
64	125-710	Screw		2
65	117-531	Screw		2
66	HC05-19	Collar	OPS	1
67	145-406	Set Screw	OPS	1
68	101-560	Screw		2
69	6501-08012	Spreader		1

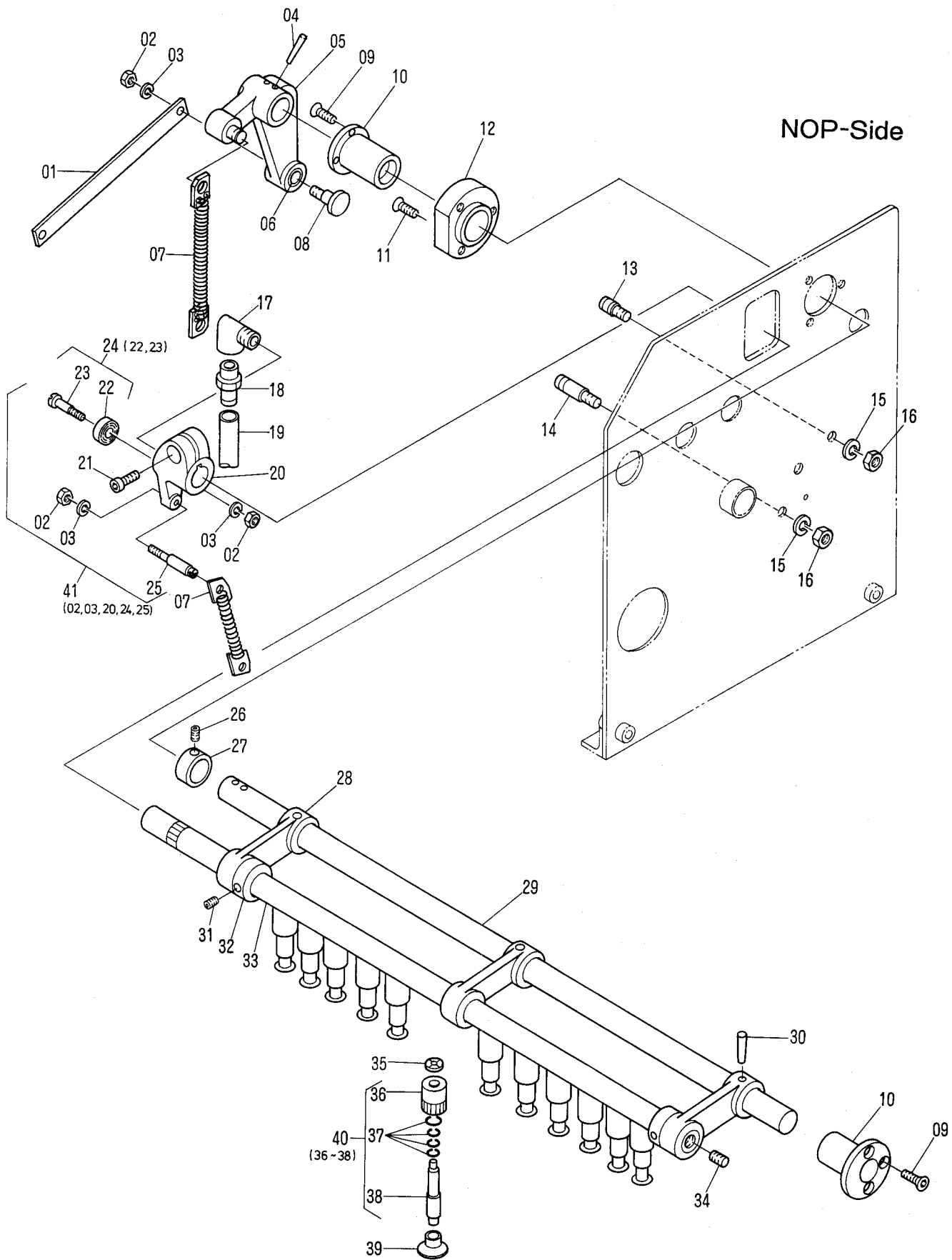
**Feed Section
(Feeder Frame and Paper Guide)**

H1002

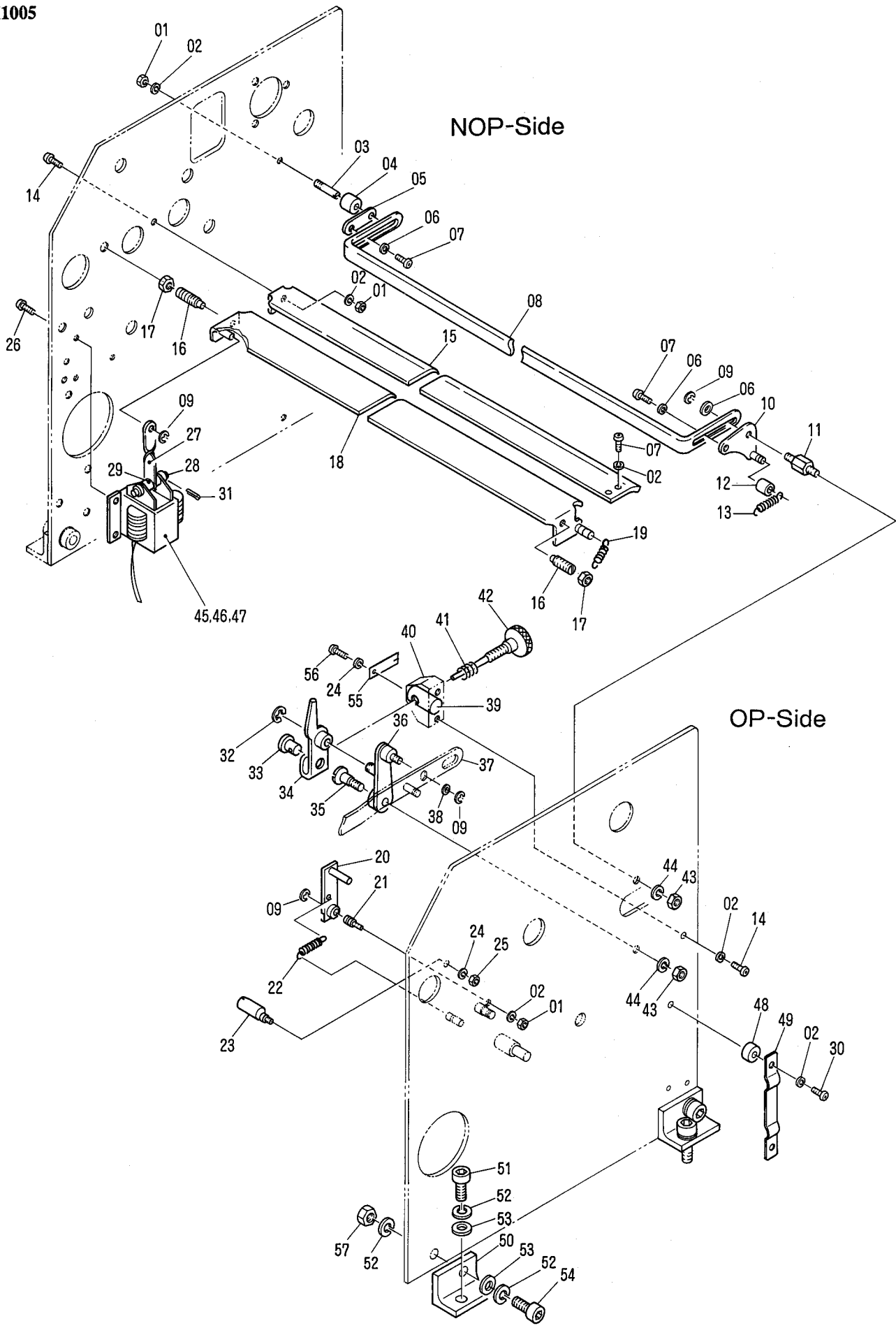
INDEX No.	Parts No.	Description	Remarks	Units Per Assy
01	6501-01002A	Feeder Side Frame	NOPS	1
02	170-106	Nut		4
03	180-106	Lock Washer		4
04	EH11-06	Stopper Pin		3
05	KC05-33	Thumb Screw		2
06	EH11-12	Mounting Bracket		2
07	CK05-15	Tail Guide Bar		2
08	KC05-34	Tail Guide Knob		2
09	CK05-16A	Tail guide		2
10	CK05-36	Plate Spring		2
11	180-104	Lock Washer		15
12	125-655	Screw		8
13	EH11-04	Guide Support Cross Bar		1
14	F4-7-01	Thumb Screw		2
15	CK05-13	Screw		2
17	180-105	Lock Washer		7
18	125-712	Screw		4
19	6501-11003	Feeder Pile Guide Support Arm		2
21	185-1615.04	Release Lever Mounting Block		2
22	5801-06006	Feeder Pile Guide	OPS	1
23	6501-11002	Feeder Pile Guide Slide Shaft		1
24	5801-06005	Feeder Pile guide	NOPS	1
25	181-412	E-Ring		1
26	H01-15-02-7	Feeder Frame Top Spreader		1
27	H11-34-3	Thumb Screw		4
28	CK05-33	Sheet Separator Bracket		4
29	H11-25-3	Sheet Separator		4
30	184-104	Flat Washer		4
31	H01-18-01-7	Scaled Cross Bar		1
32	6501-01003	Spreader		1
33	H01-10-3	Busing	Included in 31, 44	2
34	H11-29-3	Blower Nozzle Bracket		2
35	H11-27-1A-3	Blower Nozzle		2
36	184-108	Flat Washer		1
37	180-108	Lock Washer		2
38	117-470	Screw		2
39	EH08-02	Bracket		1
40	125-656	Screw		2
41	H09-31-3	Spring		1
42	EH08-03	Stopper Pin		1
43	EH08-01	Bracket		1
44	180-110	Lock Washer		2
45	101-560	Screw		2
46	125-662	Screw		4
47	6501-01001A	Feeder Side Frame		1
48	181-025	C-Ring		1
49	CK05-38	Weight		2
50	CK05-37	Plate		2
51	125-656	Screw		5
52	CK05-36B	Tail Guide Assy	(09~12)	2
53	EH08-01A	Release Lever Stopper Assy	(39~43)	1
54	125-680	Screw		2
55	E11-02-01-7	Anti-static Bar	OPTION	1
56	6501-11006	Pivot Stud		1
57	122-168	Screw		2
58	6501-11001	Bracket		1
59	6501-11004	Guide Adjustment Micro-control Knob		1
60	117-520	Screw		3
61	H04-57-3	Click Stop		1
62	6501-11005	Plate		2
63	180-103	Lock Washer		4
64	125-606	Screw		4
65				1
66	CK05-33A	Sheet Separator Bracket Assy	(12, 27~30)	4
67	H11-27-1C-3	Blower Nozzle	(for HA)	2
68	5801-06026	Bracket	(for HA)	2
69	5801-06027	Guide	(for HA)	2
70	F4-7-01	Lock Screw	(for HA)	4



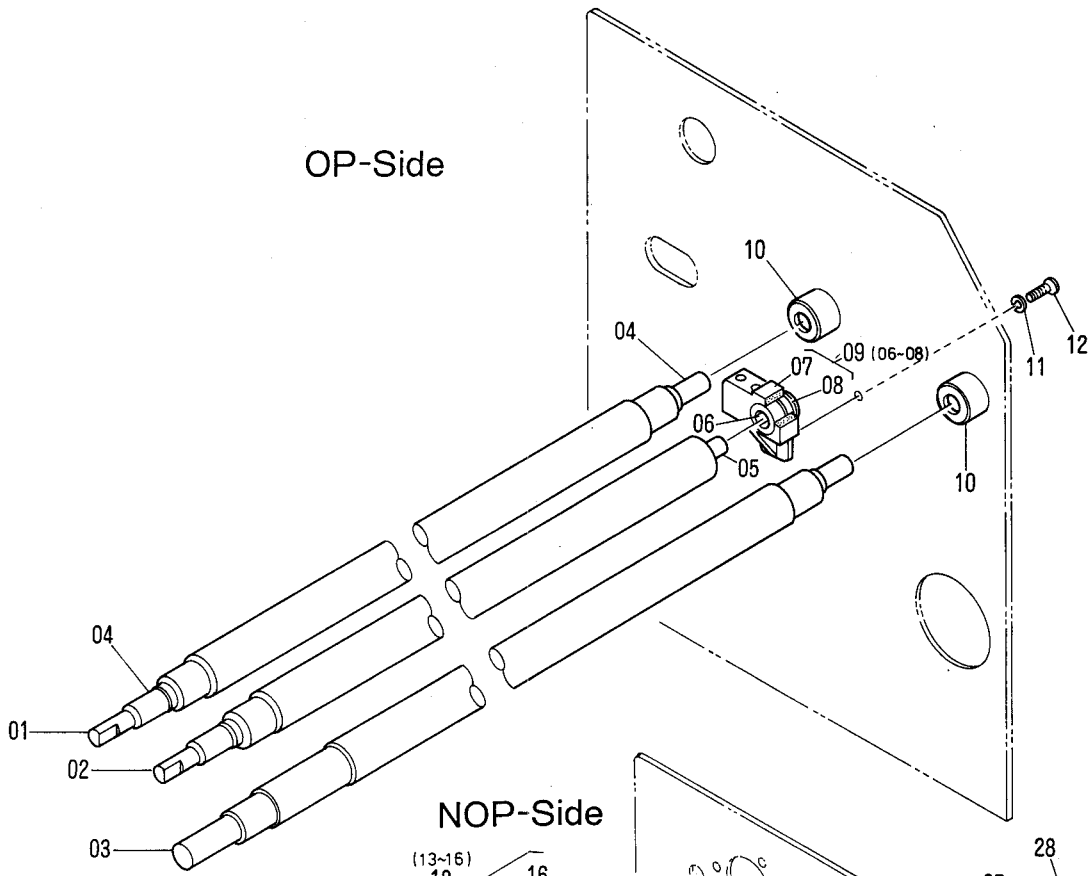
H1004



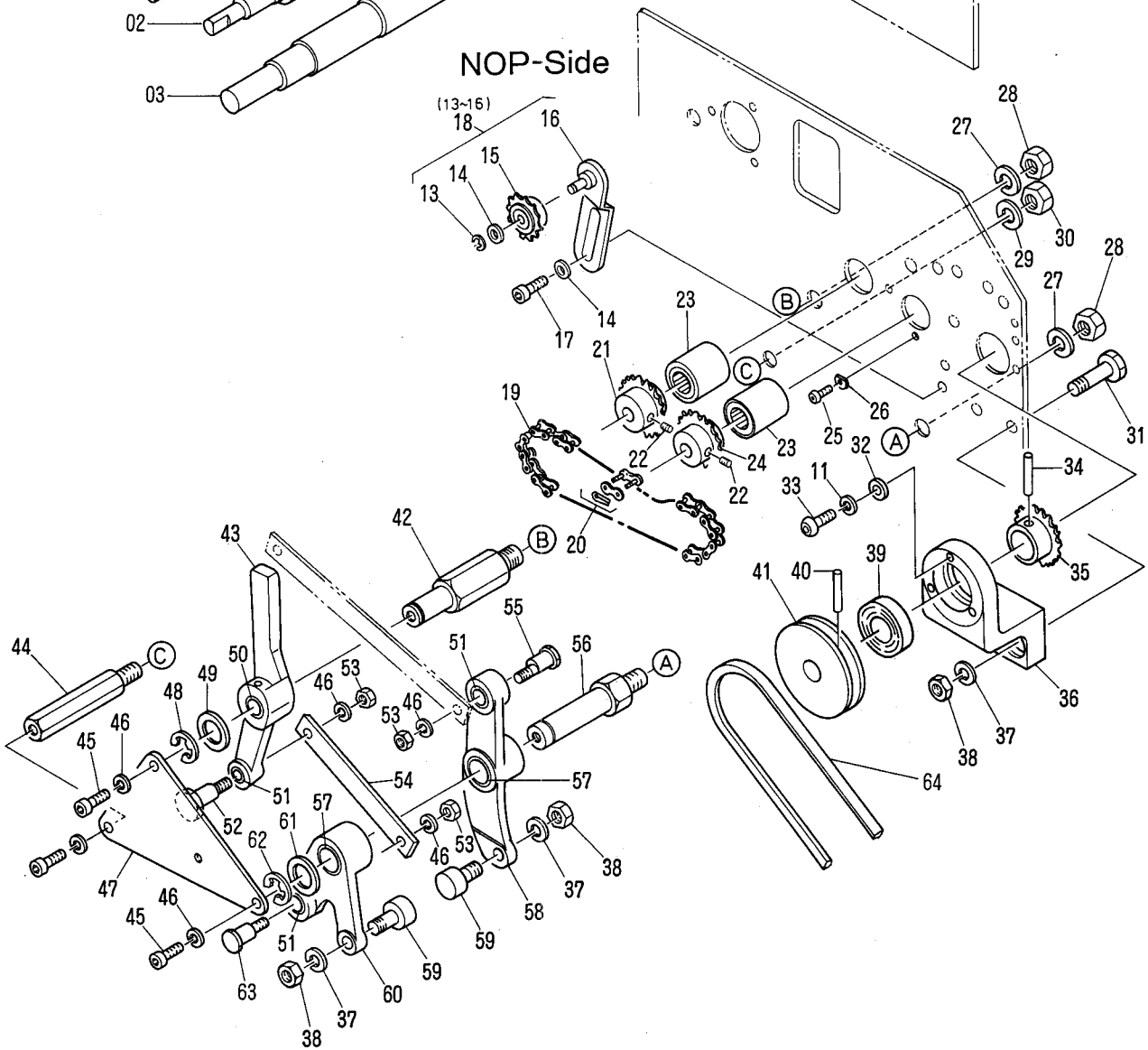
II1005



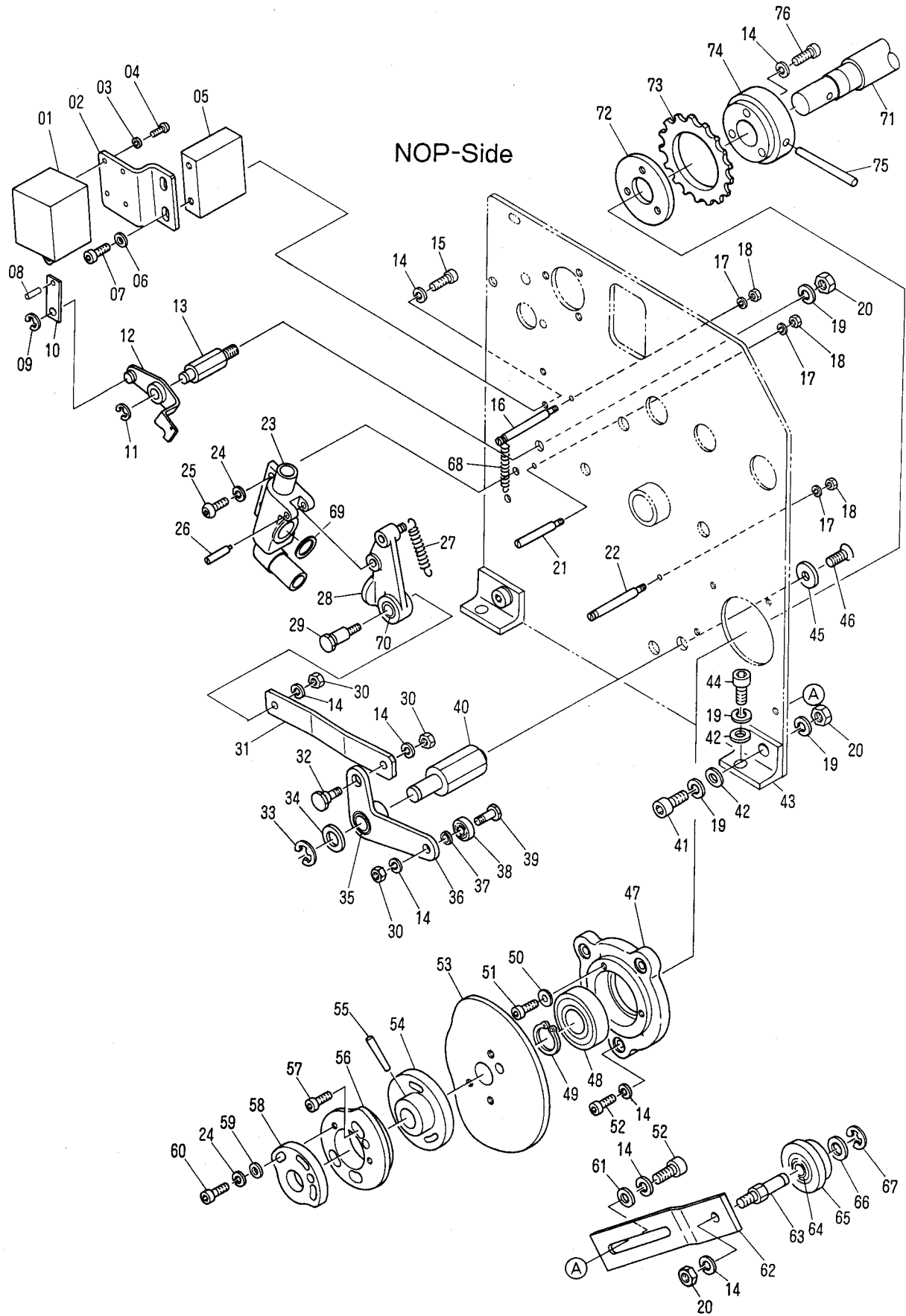
OP-Side



NOP-Side



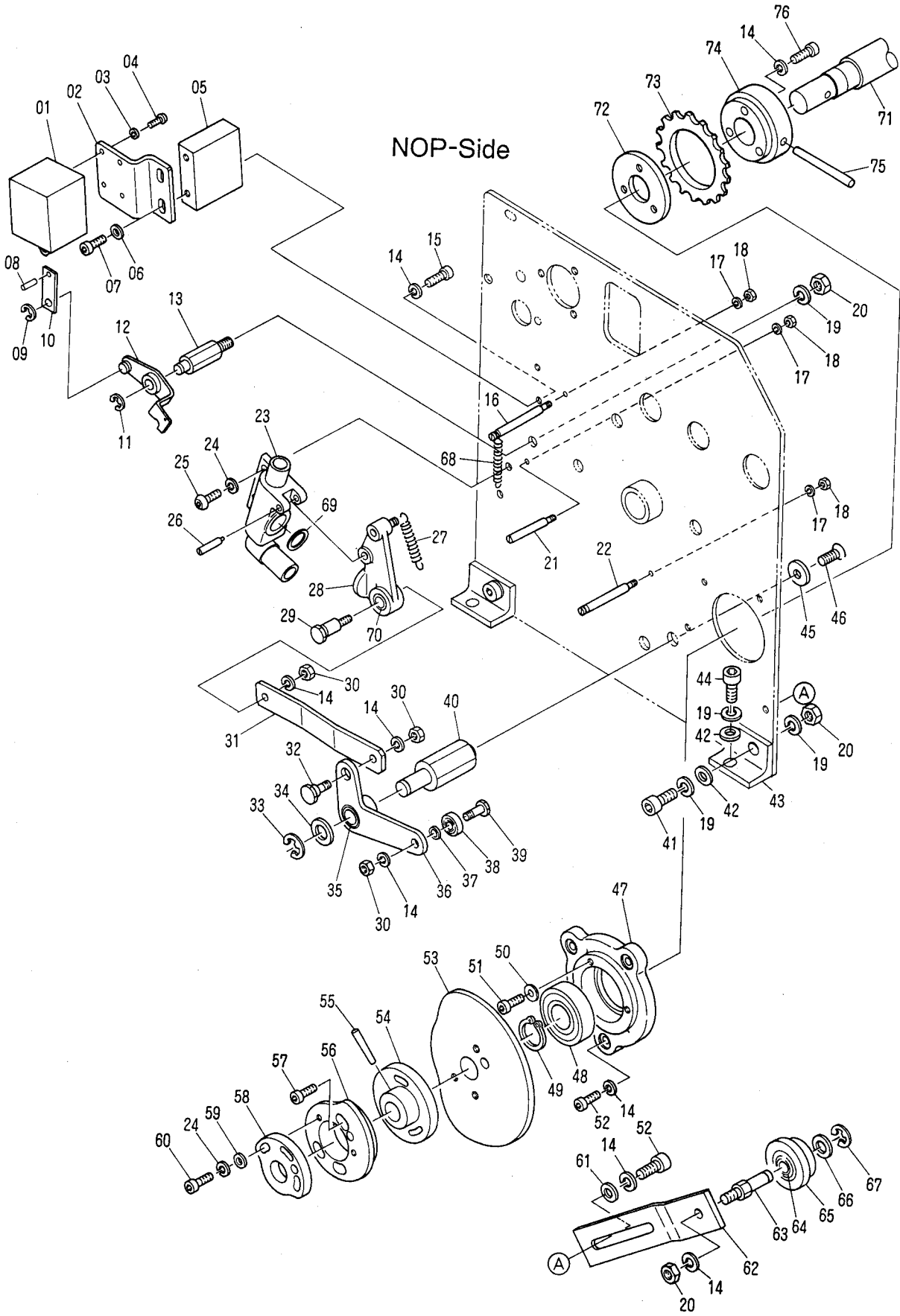
H1007

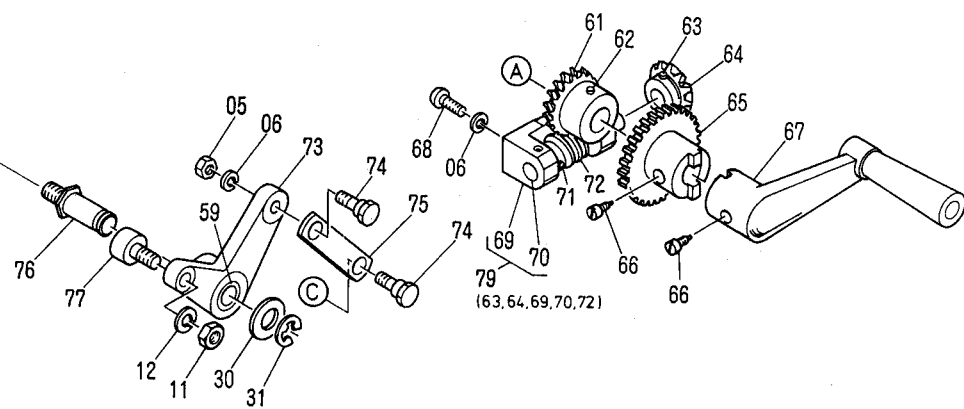
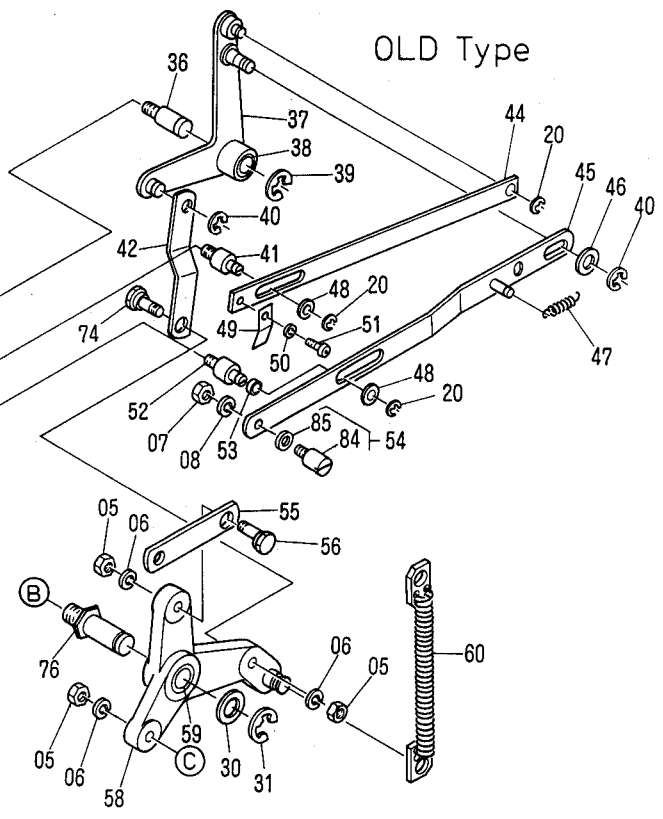
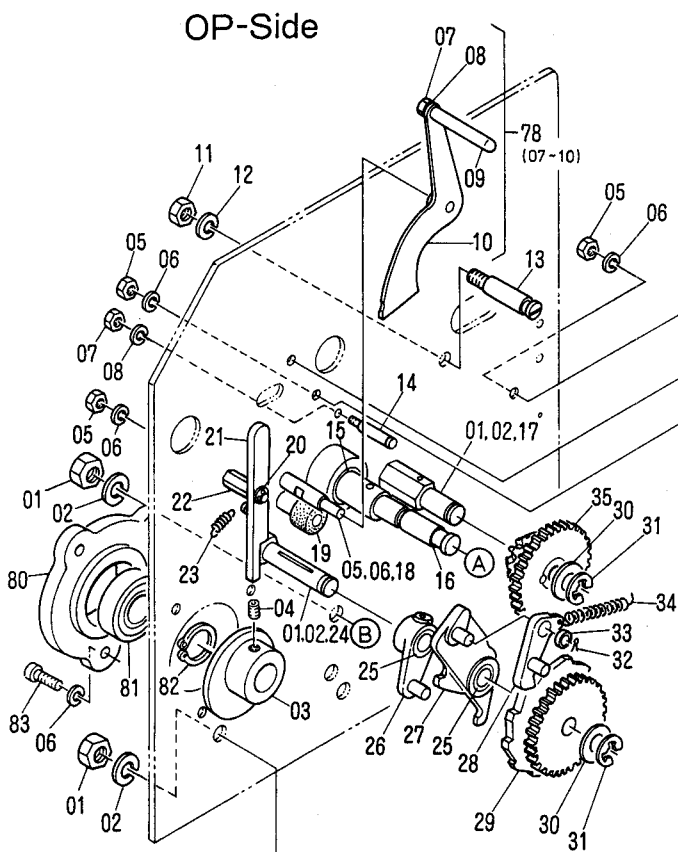
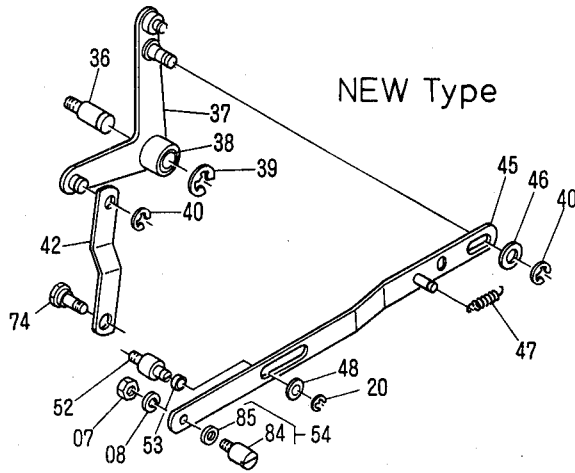


**Feed Section
(Suction Valve and Pullout Roller Timing Cam)**

H1007

INDEX No.	Parts No.	Description	Remarks	Units Per Assy
01	E09-25-3	Solenoid		1
02	6501-05003	Solenoid Bracket		1
03	180-103	Lock Washer		4
04	125-610	Screw		4
05	5101-05015	Bracket		1
06	184-106	Flat Washer		2
07	117-362	Screw		2
08	183-181	Roll Pin		1
09	181-404	E-Ring		1
10	5202-02041	Connecting Link		1
11	181-406	E-Ring		1
12	6501-05005A	Lever		1
13	6501-05006	Stud Pin		1
14	180-106	Lock Washer		11
15	117-375	Screw		2
16	6501-05036	Spring Pin		1
17	180-104	Lock Washer		3
18	170-104	Nut		3
19	180-108	Lock Washer		8
20	170-108	Nut		4
21	5208-01074	Pin		1
22	6501-05008	Spring Pin		1
23	6501-05039A	Valve		1
24	180-105	Lock Washer		4
25	125-715	Screw		2
26	H05-73-02-3	Pin		1
27	H08-13-3	Spring		1
28	6501-05009	Valve Lever		1
29	6501-05042	Pin		1
30	170-106	Nut		4
31	6501-05002	Connecting Link		1
32	6501-05032	Pin		1
33	181-410	E-Ring		1
34	184-112	Flat Washer		1
35	243-620	Bushing	Included in 36	1
36	6501-05001A	Lever		1
37	184-106.3	Flat Washer		1
38	250-126.6	Bearing		1
39	CK08-07	Pin		1
40	6501-05007	Stud Pin		1
41	117-470	Screw		2
42	184-108	Flat Washer		4
43	5105-01005	Angle		2
44	117-475	Screw		2
45	6501-05040	Flat Washer		1
46	122-770	Screw		1
47	6501-05012	Bushing Bracket		1
48	250-204.6	Bearing		1
49	181-020	C-Ring		1
50	H37-26-3	Spacer		3
51	125-708	Screw		2
52	117-365	Screw		3
53	6501-05043	Cam		1
54	5101-05025	Flange		1
55	182-189.1	Taper Pin		1
56	6501-05026	Cam		1
57	117-368	Screw		5
58	7201-05003	Cam		1
59	184-105	Flat Washer		2
60	117-520	Screw		2
61	M22-76-3	Flat Washer		2
62	6501-05031	Bracket		1
63	6502-14029	Pin		1
64	250-000.6	Bearing		2
65	6502-14030	Guide Roller		1
66	5102-16019	Spacer		1
67	181-408	E-Ring		1
68	R11-60-01-3	Spring		1
69	H05-72-01-3	Valve Cover		1
70	5801-05033	Bushing		1

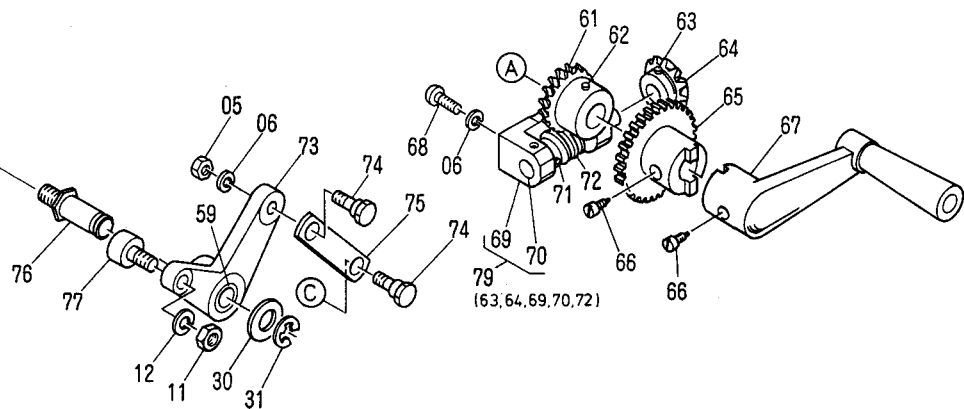
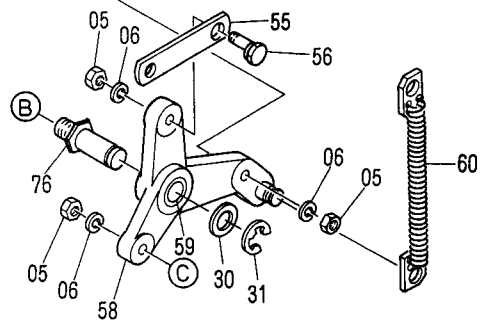
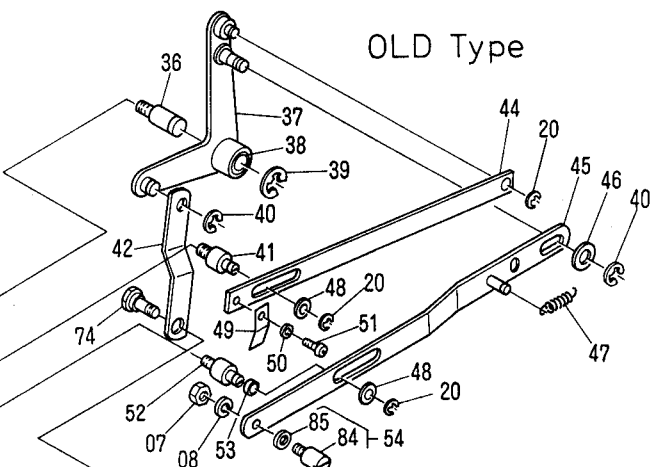
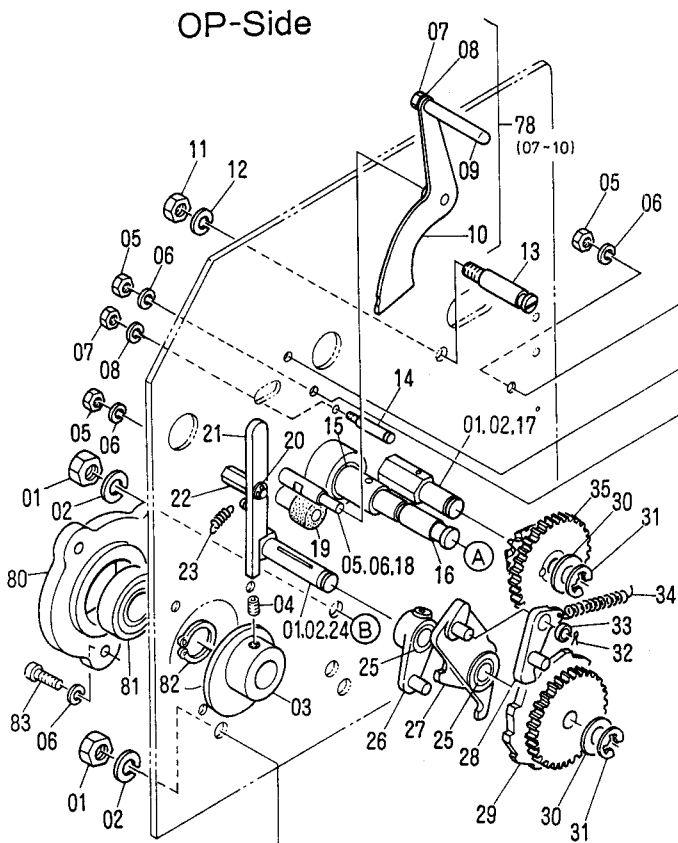
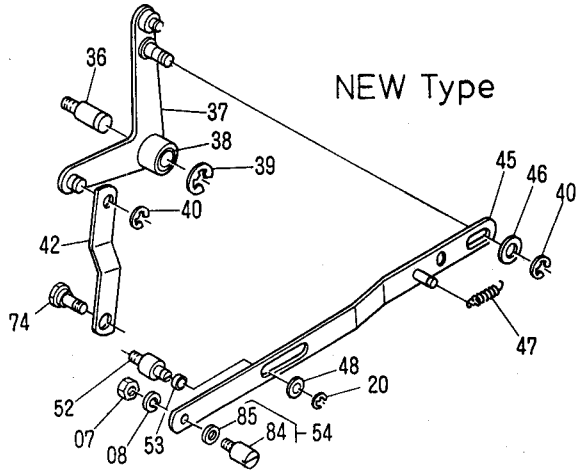




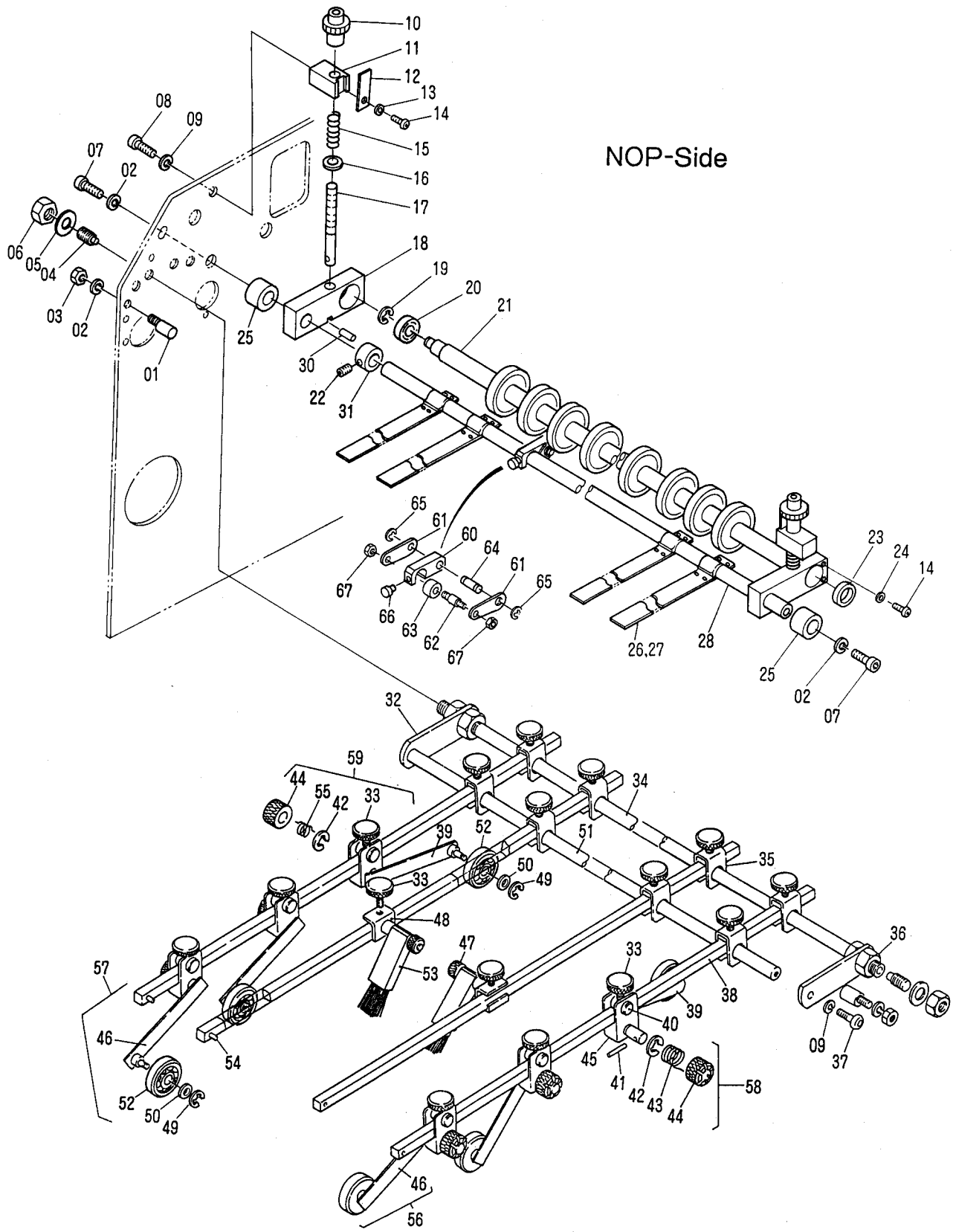
**Feed Section
(Paper Table Elevator Drive Unit)**

H1008

INDEX No.	Parts No.	Description	Remarks	Units Per Assy
01	170-110	Nut		4
02	180-110	Lock Washer		4
03	6501-06001	Cam		1
04	145-360	Set Screw		2
05	170-106	Nut		8
06	180-106	Lock Washer		13
07	170-105	Nut		2
08	180-105	Lock Washer		2
09	6501-08013	Ratchet Release Lever Handle		1
10	H08-37-1A-3	Ratchet Release Lever		1
11	170-108	Nut		2
12	180-108	Lock Washer		2
13	6501-06008	Spring Pin		1
14	4206-08036	Spring Pin		1
15	H01-10-3	Bushing		1
16	6501-08008	Elevator Sprocket Shaft		1
17	H08-05-3	Combination Gear Stud		1
18	H08-41-3	Release Lever Pivot Stud		1
19	H08-33-3	Rubber Bumper		1
20	181-404	E-Ring		4
21	H08-23-1A-3	Elevator Detent Pawl		1
22	H08-29-3	Detent Pawl Pivot Stud		1
23	H08-28-3	Detent Pawl Spring		1
24	H08-01-3	Ratchet Stud		1
25	H08-16-3	Feeder Operating Lever Bushing	Included in 26, 27	2
26	H08-10-1B-3	Ratchet Drive Limit Guide Arm		1
27	H08-12-1A-3	Ratchet Pawl Drive Lever		1
28	H08-18-1A-3	Drive Pawl		1
29	H08-44-3	Elevator Ratchet Gear		1
30	184-112	Flat Washer		3
31	181-410	E-Ring		5
32	183-745	Cotter Pin		1
33	H08-21-3	Drive Pawl Collar		1
34	H08-13-3	Drive pawl Spring		1
35	H08-45-1A-3	Combination Gear		1
36	6501-06011	Stud		1
37	6501-06002A	Lever		1
38	243-614	Bushing	Included in 37	1
39	181-408	E-Ring		1
40	181-406	E-Ring		2
41	6501-06013	Stud		1
42	6501-06017	Link		1
44	6501-06010	Link		1
45	6501-06009A	Raising Control Drive Lever		1
46	184-108	Flat Washer		1
47	H07-29-3	Spring		1
48	184-106	Flat Washer		2
49	6501-06015	Drive Link Guide Plate		1
50	180-104	Lock Washer		1
51	125-656	Screw		1
52	6501-06013	Stud		1
53	6501-06018	Collar		1
54	5203-09016A	Eccentric Operating Stud for Elevator Detent Pawl		1
55	6501-06006	Link		1
56	6501-06021	Eccentric Pin		1
57	H09-07-3	Pivot Stud for Feeder Operating Lever		2
58	6501-06004A	Lever		1
59	H07-08-3	Bushing	Included in 55, 73	2
60	CM11-02A	Spring		1
61	H09-08-3	Worm Gear		1
62	182-171	Taper Pin		1
63	183-206	Roll Pin		1
64	H09-03-3	Bevel Gear		1
65	6501-08007	Intermediate Elevator Gear		1
66	H09-02-3	Pivot Screw		2
67	5104-05030A	Hand Crank		1
68	125-770	Screw		2
69	H09-10-3	Worm Bracket		1
70	H09-05-3	Worm Shaft		1



NOP-Side



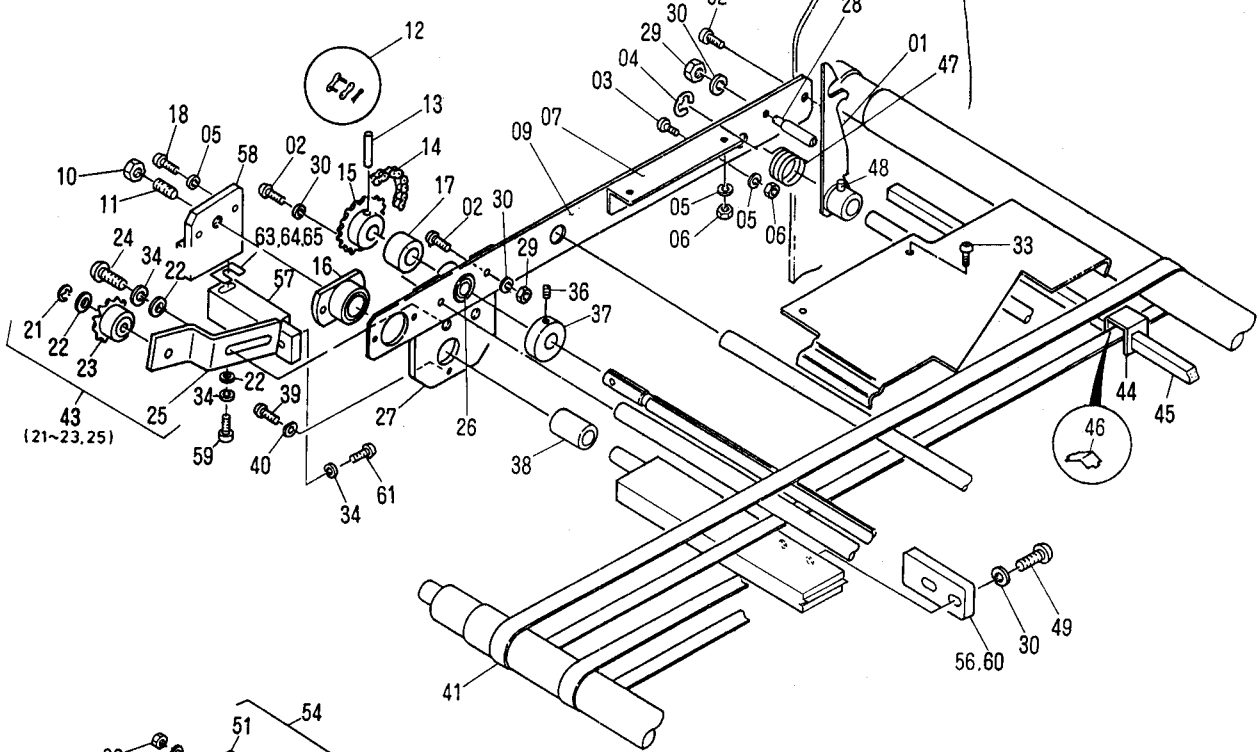
**Feed Section
(Pullout Roller and Skid Wheel)**

H1009

INDEX No.	Parts No.	Description	Remarks	Units Per Assy
01	H07-30-3	Stopper Pin		2
02	180-105	Lock Washer		4
03	170-105	Nut		2
04	140-470	Skidwheel Frame Pilot Pin		2
05	184-108	Flat Washer		2
06	170-108	Nut		2
07	117-510	Screw		1
08	117-362	Screw		2
09	180-106	Lock Washer		4
10	H04-60-3	Pullout Roller Pressure Adjustment Knob		2
11	6501-02008	Pullout Roller Pressure Adjustment Bracket		2
12	H04-57-3	Click Stop		2
13	180-104	Lock Washer		2
14	125-656	Screw		6
15	H04-62-3	Pullout Roller Pressure Compressing Spring		2
16	184-106	Flat Washer		2
17	6501-02009	Pullout Roller Pressure Adjustment Stem		2
18	6501-02007	Upper Pullout Roller Shaft Bracket		2
19	181-405	E-Ring		2
20	250-126.6	Bearing		2
21	6501-02006	Upper Pullout Roller		1
22	145-506	Set Screw		1
23	5801-02010	Collar		1
24	184-104	Flat Washer		4
25	6501-02010	Spacer		2
26	H11-19-1D-3	Paper Retainer	l=462 t=0.2mm	4
27	H11-19-1B-3	Paper Retainer	l=462 t=0.1mm	4
28	6501-02014	Upper Pullout Roller Pilot Shaft		1
30	183-180	Roll Pin		2
31	H38-20-3	Collar		2
32	S30-01-3	Skidwheel Frame		2
33	EH10-12	Thumb Screw		16
34	H11-01-7	Skidwheel Frame Pilot Shaft		1
35	H31-03-3	Guide Arm Bracket		8
36	170-110.3	Nut		4
37	125-762	Screw		2
38	H31-17-1A-3	Skidwheel Bracket Guide Arm		4
39	5801-10084D	Skidwheel Arm		2
40	H31-05-3	Lock Pin		6
41	183-142	Roll Pin		6
42	181-406	E-Ring		6
43	H31-12-3	Skidwheel Spring		3
44	H31-11-3	Skidwheel Knob		6
45	H31-04-3	Skidwheel Bracket		6
46	5801-10084A	Skidwheel Arm		4
47	H15-84-3	Thumb Nut		2
48	H15-82-1A-3	Brush Bracket		2
49	181-406	E-Ring		6
50	184-108	Flat Washer		6
51	H11-03-01-7	Skidwheel Frame Spreader		1
52	250-138	Skidwheel	(Brg. 638)	6
53	5801-10076	Brush		2
54	183-152	Roll Pin	Included in 38	4
55	H31-13-3	Skidwheel Spring	OPS	2
56	5801-10084B	Skidroller Assy	OPS	2
57	5801-10084C	Skidroller Assy	NOPS	2
58	5801-10084E	Skidroller Assy	OPS	1
59	5801-10084F	Skidroller Assy	NOPS	1
60	6501-02015	Bracket		4
61	6501-02016	Plate		8
62	5101-02021	Guide Roller Shaft		4
63	5101-02022	Guide Roller		4
64	5101-02030	Pin		4
65	181-404	E-Ring		8
66	CP18-64	Knob		4
67	C-216A-01	U-Nut		

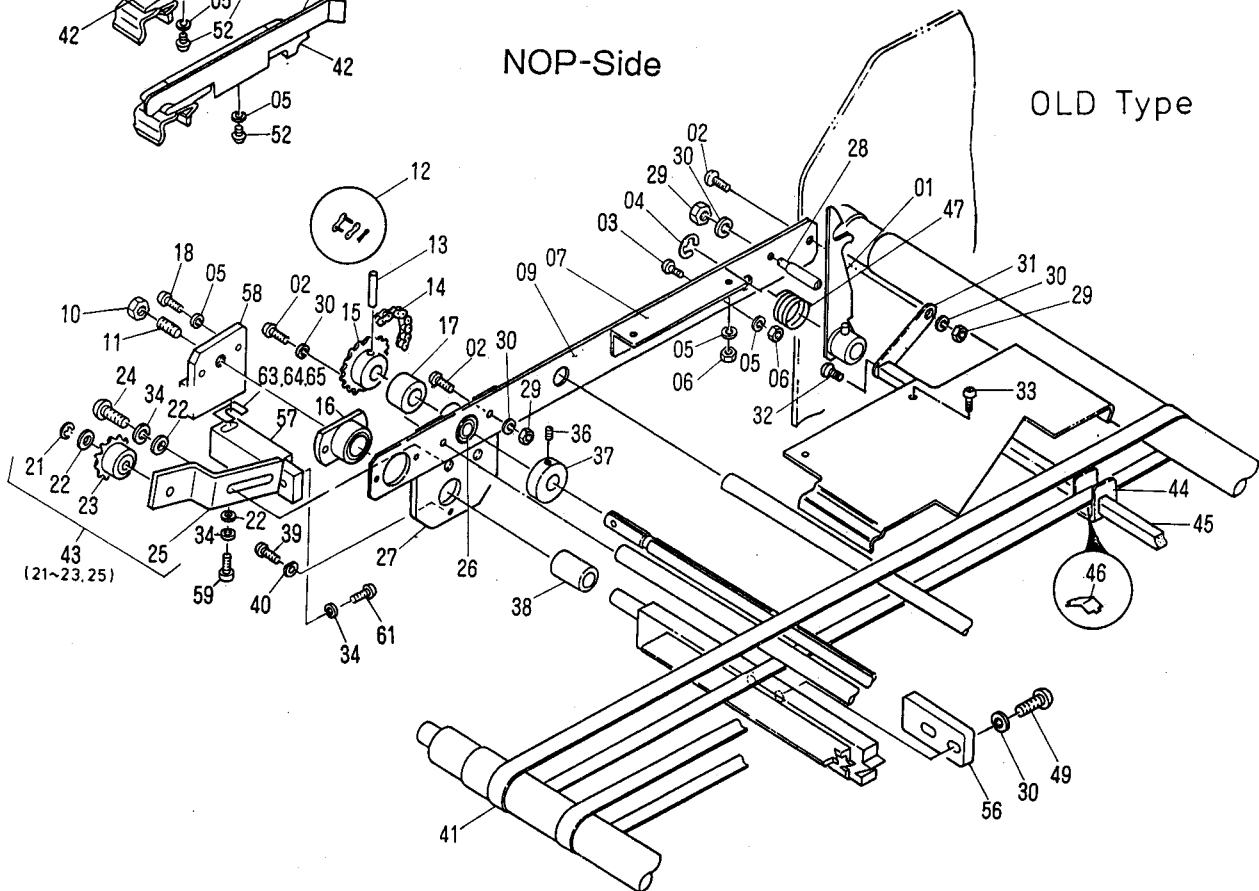
NOP-Side

NEW Type

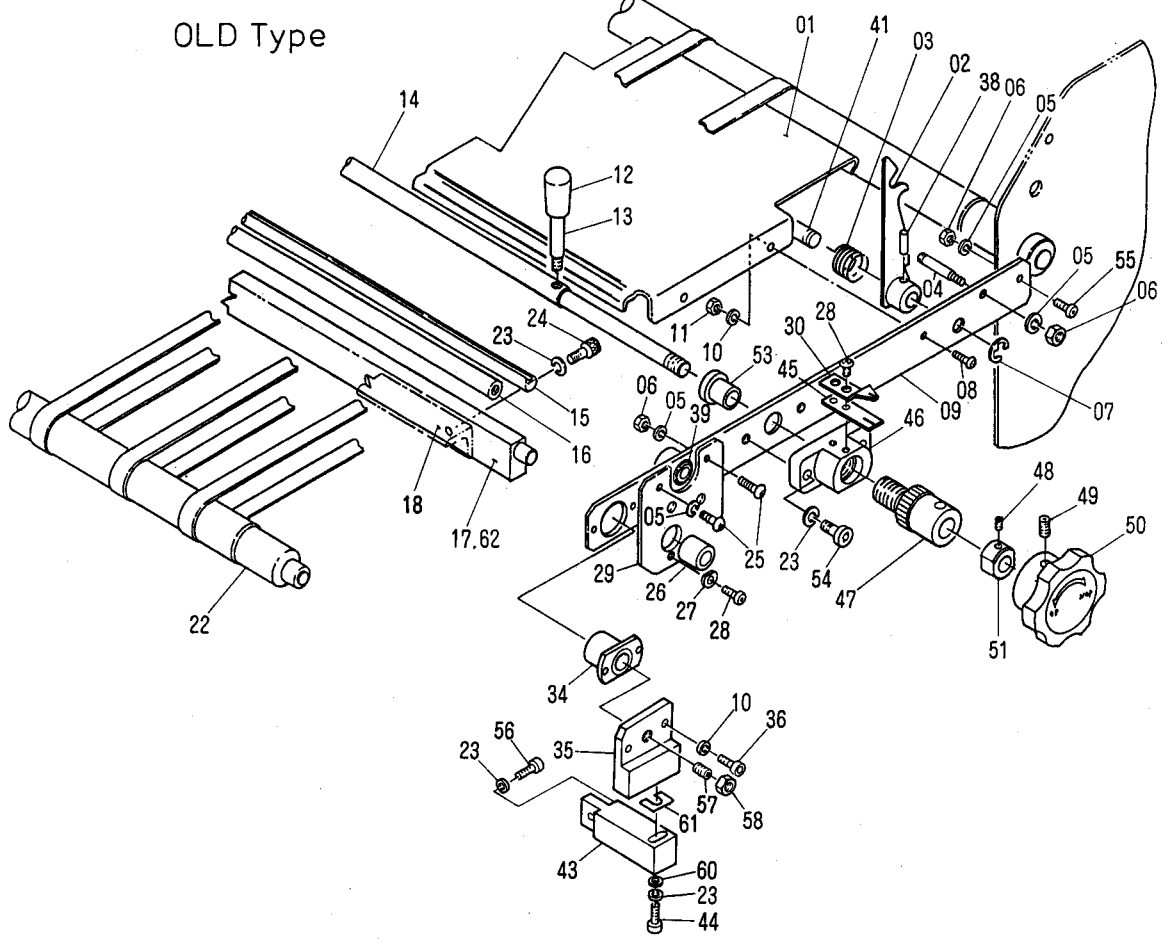
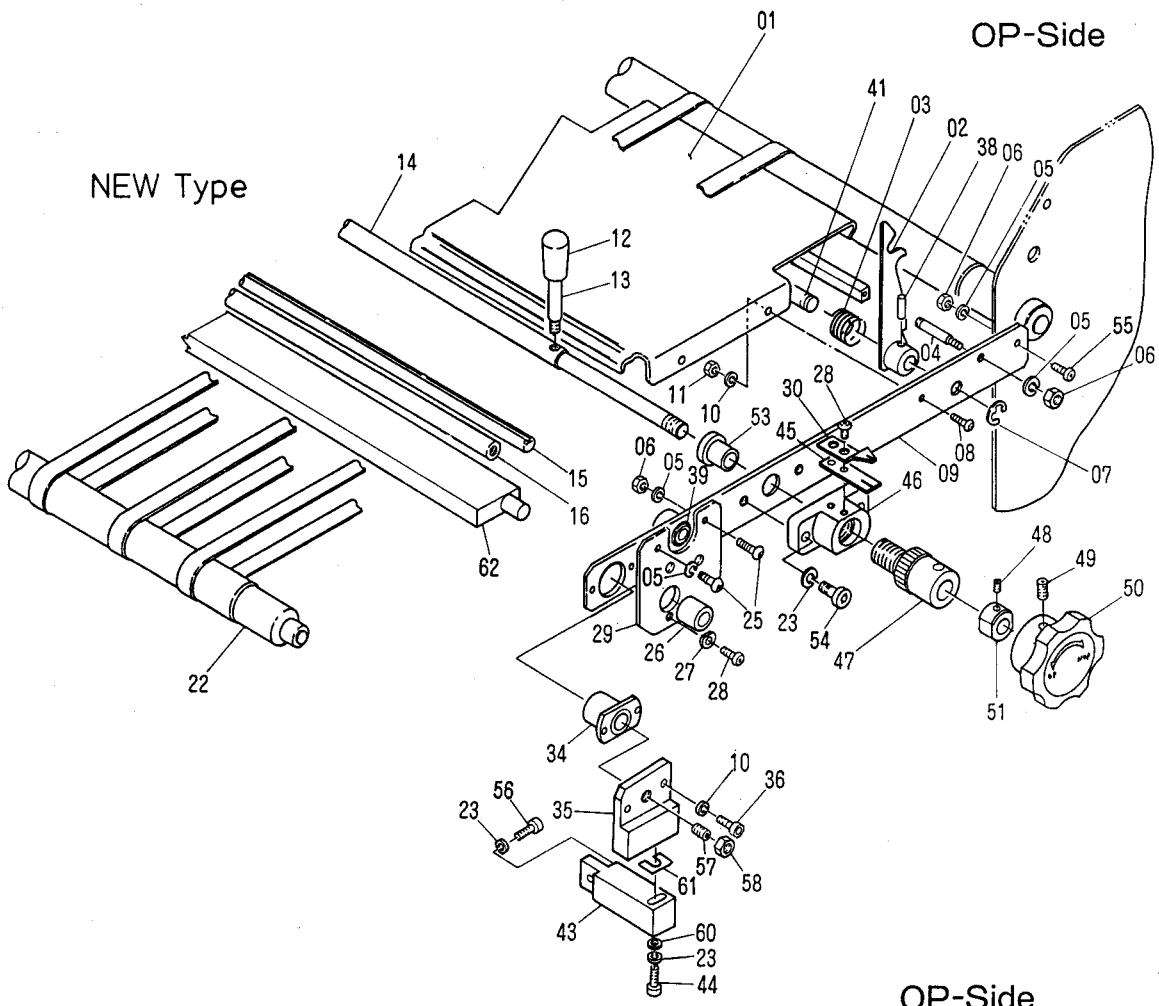


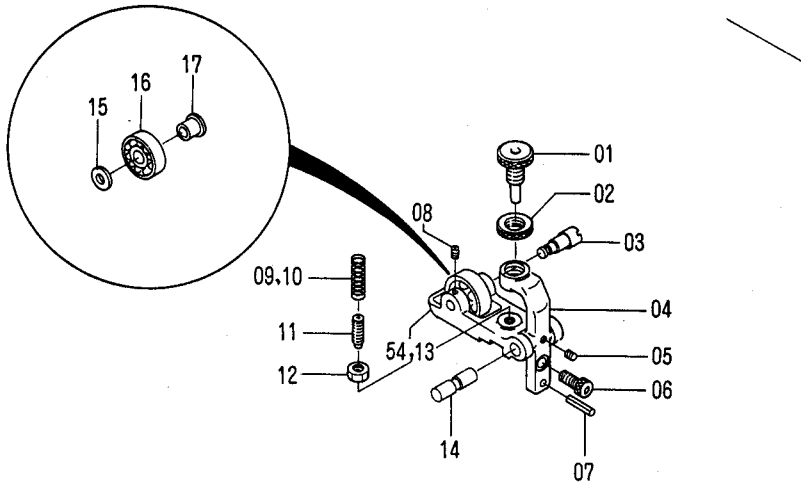
NOP-Side

OLD Type

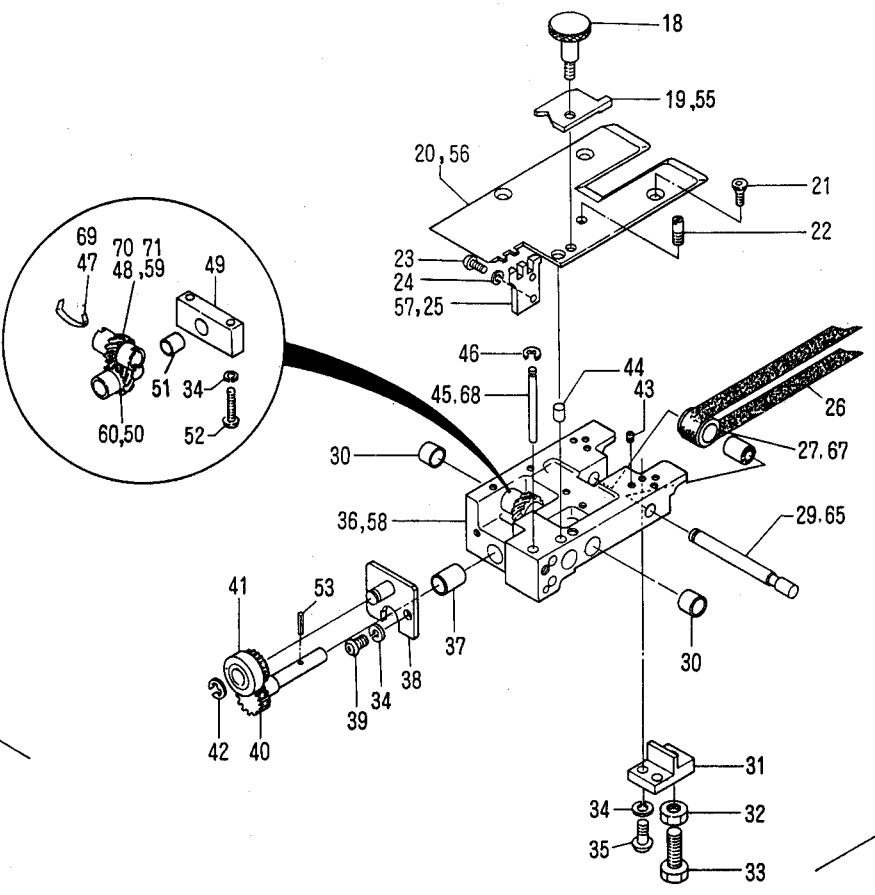


H1011

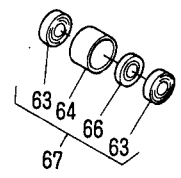




- 62
- 01 ~ 12, 14 ~ 18
 - 21 ~ 24, 27, 29,
 - 31 ~ 35, 38 ~ 47
 - 49, 52 ~ 60



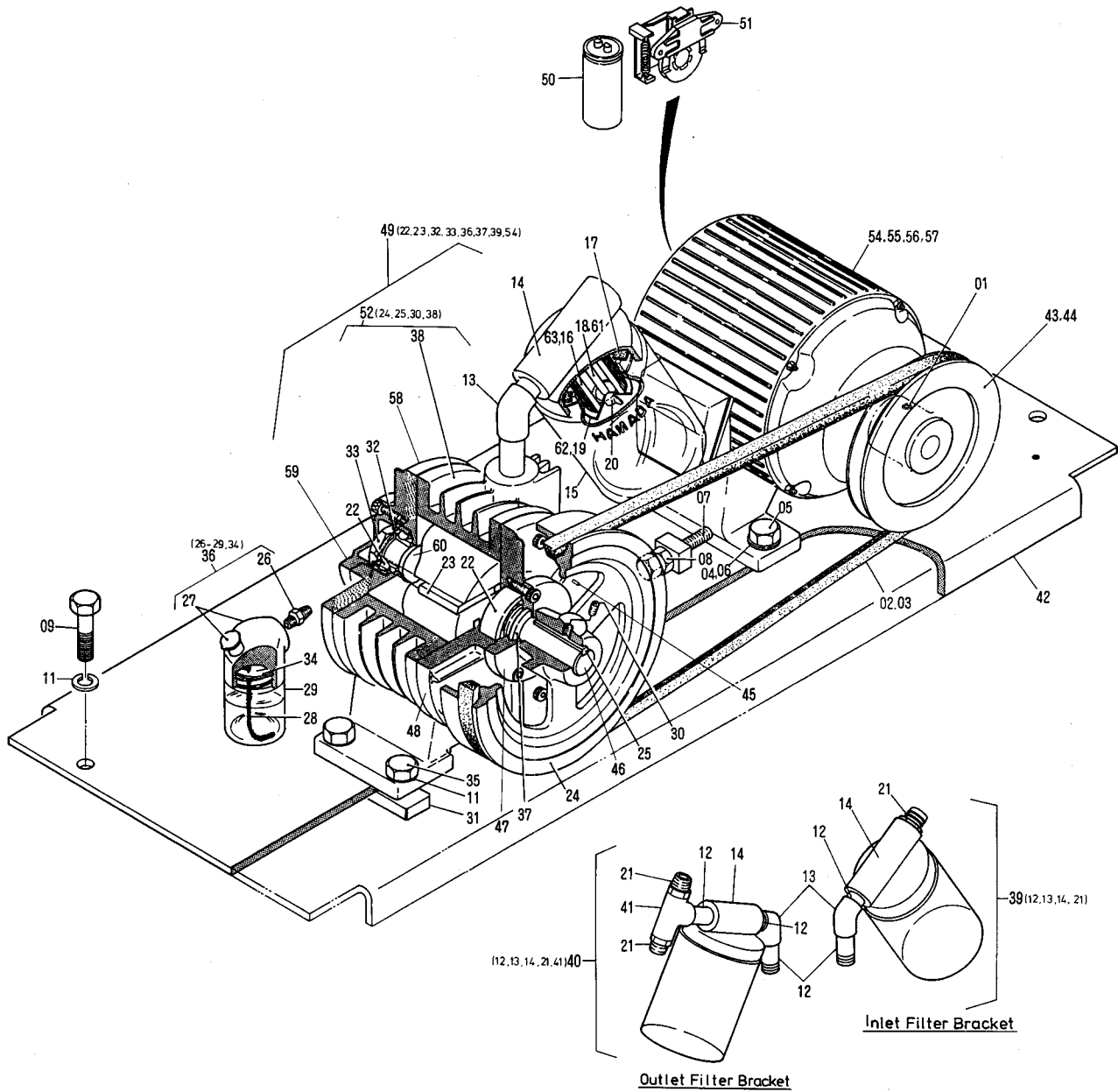
- 61
- 01 ~ 25, 27, 29,
 - 31 ~ 36, 38 ~ 50
 - 52, 53



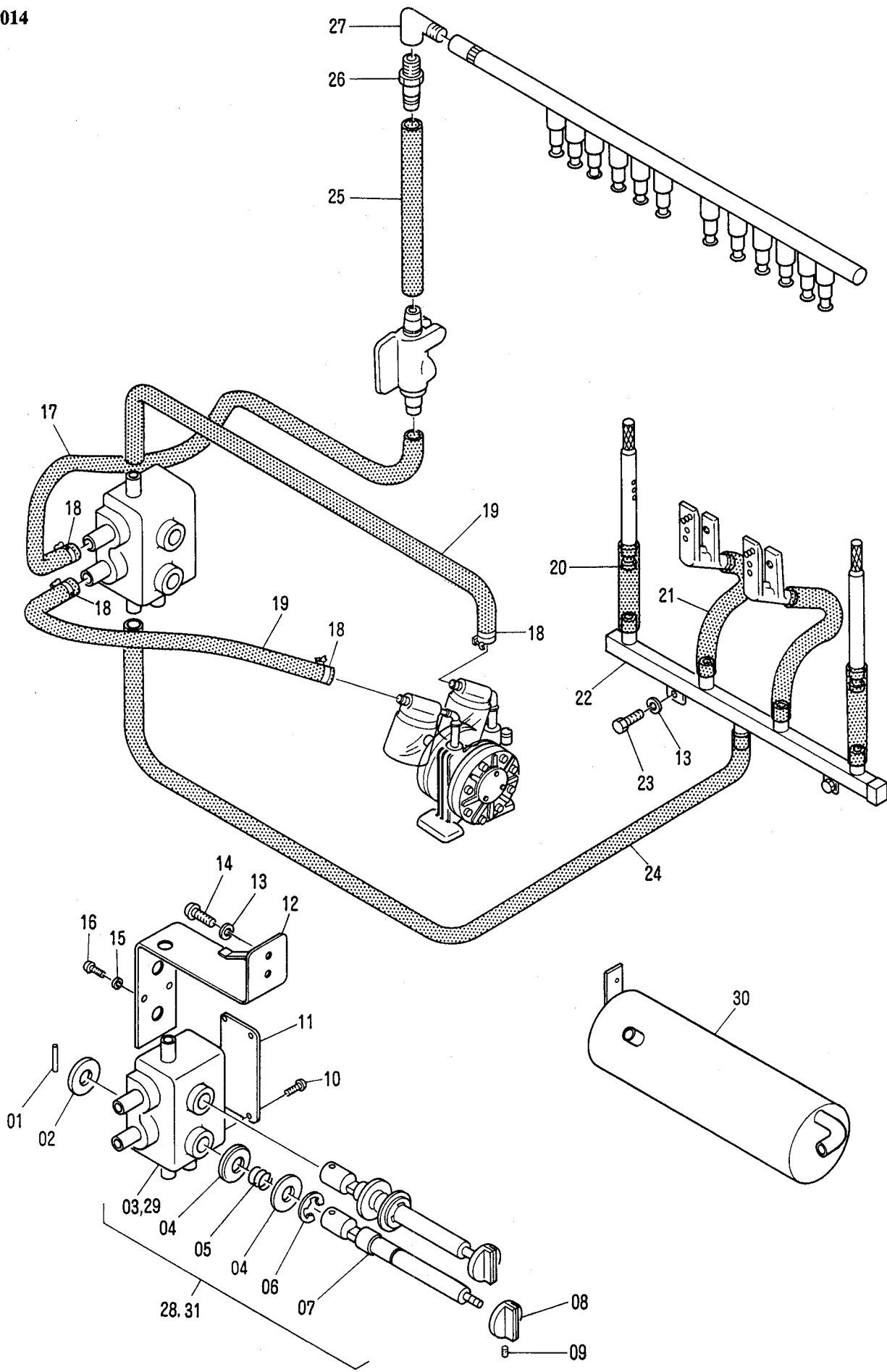
**Feed Section
(Side Register)**

H1012

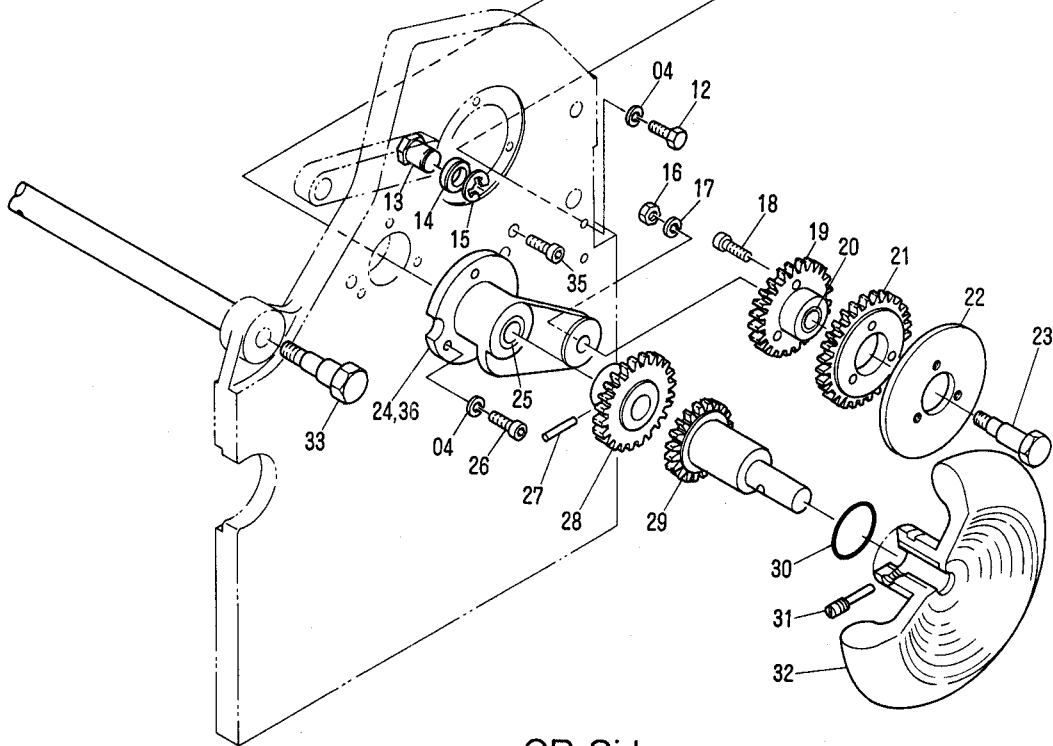
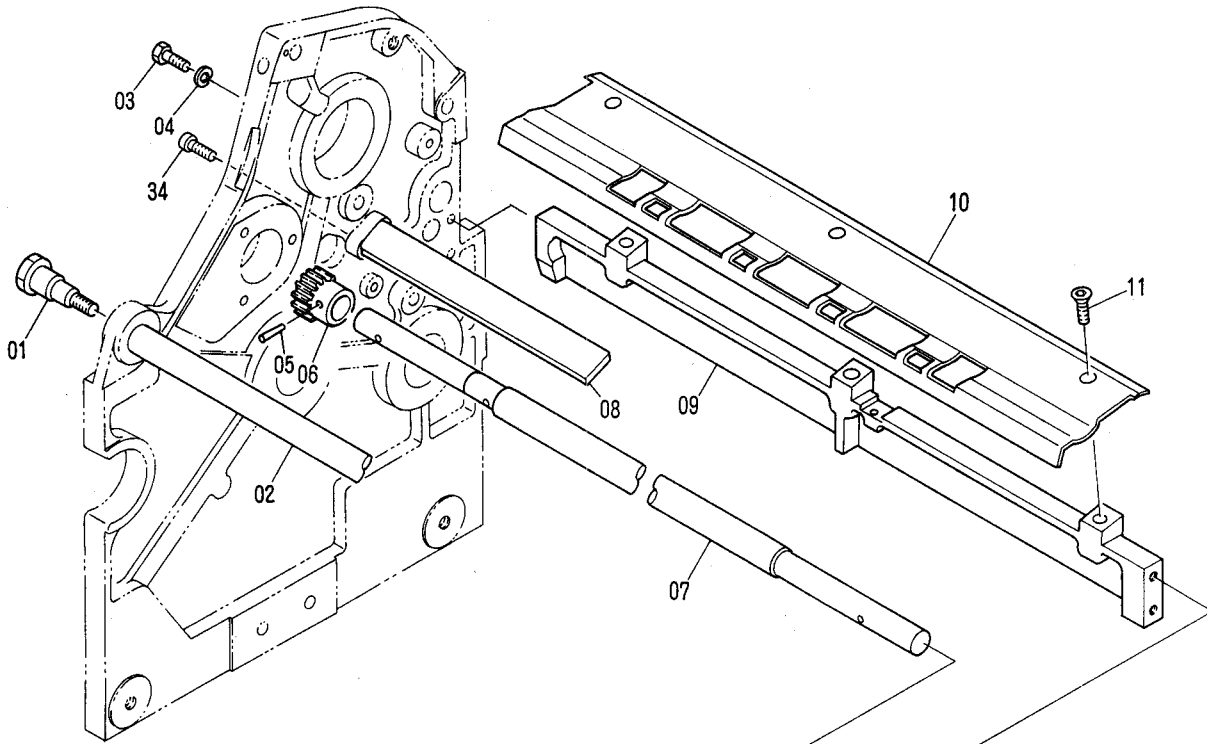
INDEX No.	Parts No.	Description	Remarks	Units Per Assy
01	H37-18-1A-3	Thumb Screw		2
02	H37-19-3	Adjustment Lock Knob		2
03	H37-23-3	Upper Roller Shaft		2
04	H37-17-3	Support Bracket		2
05	145-404	Set Screw		2
06	117-365	Screw		2
07	183-185	Roll Pin		2
08	145-306	Set Screw		2
09	H04-62-3	Upper Roller Spring		2
10	H37-52-3	Upper Roller Spring	(for Thinner Stock)	1
11	140-370	Adjust Screw		2
12	170-106	Nut		2
13	H37-20-3	Upper Roller Bracket	OPS	1
14	H37-22-3	Upper Roller Bracket Shaft		2
15	H37-26-3	Spacer		2
16	250-200	Upper Roller		2
17	H37-25-3	Upper Roller Bushing		2
18	H37-16-3	Thumb Screw		2
19	H37-15-3	Lift Plate	OPS	1
20	H37-07-3	Paper Guide	OPS	1
21	122-110	Screw		6
22	101-19-3	Pin		2
23	125-660	Screw		4
24	180-104	Lock Washer		4
25	H37-05-3	Paper Guide Plate	OPS	1
26	H37-54-3	Conveyor Tapes		2
27	H37-11-1A-3	Taper Roller	OLD	2
29	H37-09-3	Register Roller Shaft	OLD	2
30	243-612	Bushing	Included in 36, 58	4
31	H37-13-3	Bracket		4
32	170-108	Nut		4
33	H37-53-3	Screw		4
34	180-105	Lock Washer		16
35	125-715	Screw		8
36	H37-01-0A-3	Housing	OPS	1
37	243-614	Drive Gear Bushing	Included in 36, 58	2
38	H37-39-1C-3	Lower Roller Bracket		2
39	125-712	Screw		4
40	H37-34-3	Gear		2
41	H37-41-1A-3	Lower Roller with Gear		2
42	181-406	E-Ring		2
43	145-506	Set Screw		2
44	H37-47-3	Pin		2
45	H37-29-3	Kick Pin	OLD	2
46	181-404	E-Ring		2
47	H37-33-01-3	Gear Holder	OLD	2
48	H37-30-01-3	Gear	OLD NOPS	2
49	H37-37-1A-3	Drive Gear Bracket		2
50	H37-35-3	Gear	OPS	1
51	243-609	Bushing	Included in 49	2
52	125-730	Screw		4
53	183-168	Roll Pin		2
54	H37-21-3	Upper Roller Bracket	NOPS	1
55	H37-48-3	Lift Plate	NOPS	1
56	H37-08-3	Paper Guide	NOPS	1
57	H37-06-3	Paper Guide Plate	NOPS	1
58	H37-02-0A-3	Housing	NOPS	1
59	H37-31-01-3	Gear	OLD OPS	1
60	H37-36-3	Gear	NOPS	1
61	H37-01-2A-3	Side Register Assy	(01~25, 27, 29, 31~36, 38~50, 52, 53)	1
62	H37-02-2A-3	Side Register Assy	(01-12, 14-18, 21-24, 27, 29, 31-35, 38-47, 49, 52-60)	1
63	250-098.6	Bearing		4
64	6502-06005	Tape Roller		2
65	6502-06008	Register Roller Shaft	ES-11356~	2
66	6502-06009	Spacer		2
67	6502-06005A	Tape Roller Assy	(63, 64, 66)	2
68	6502-07014	Kick Pin	ES-1A403~	1
69	H37-33-02-3	Gear Holder	ES-1C510~	2
70	H37-30-02-3	Gear	ES-1C510~, NOPS	1
71	H37-31-02-3	Gear	ES-1C510~, OPS	1



II1014

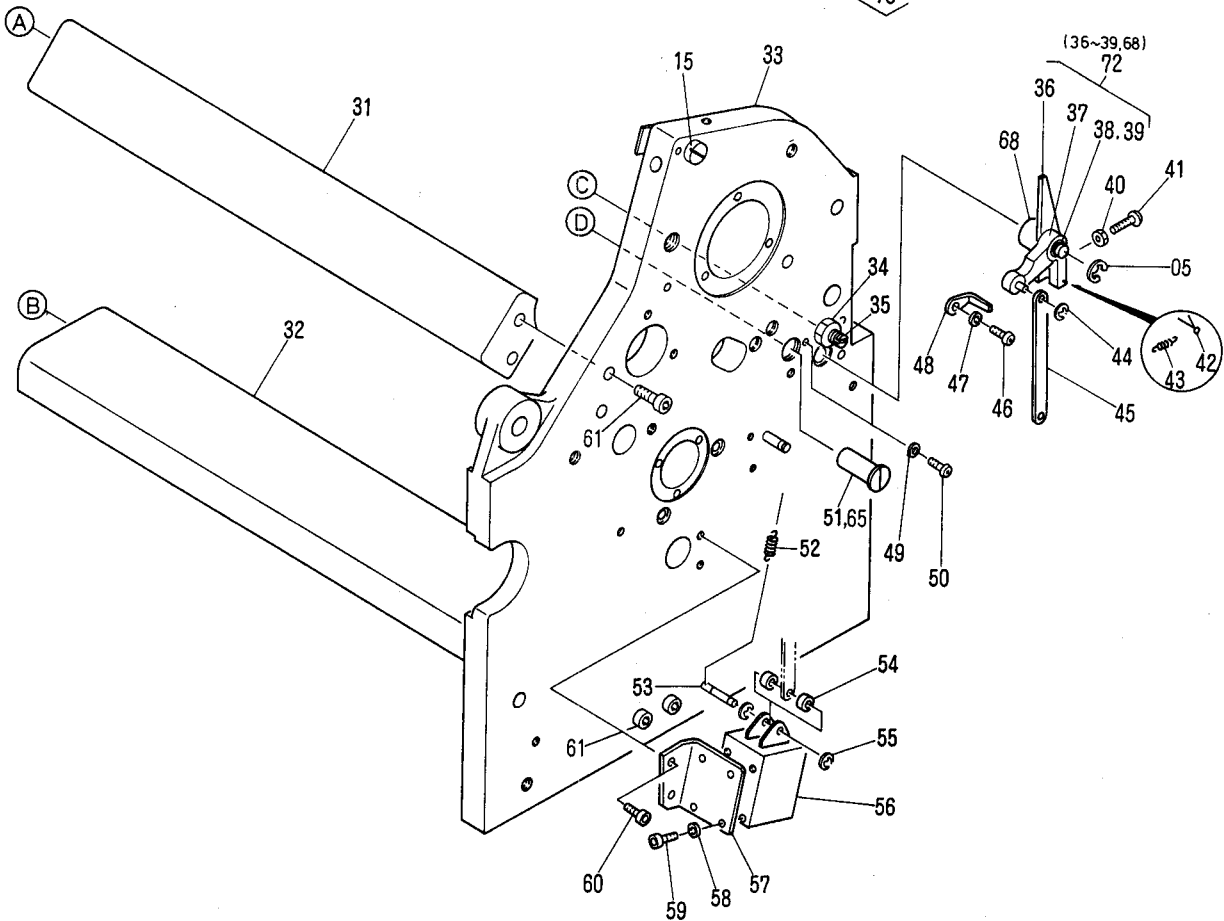
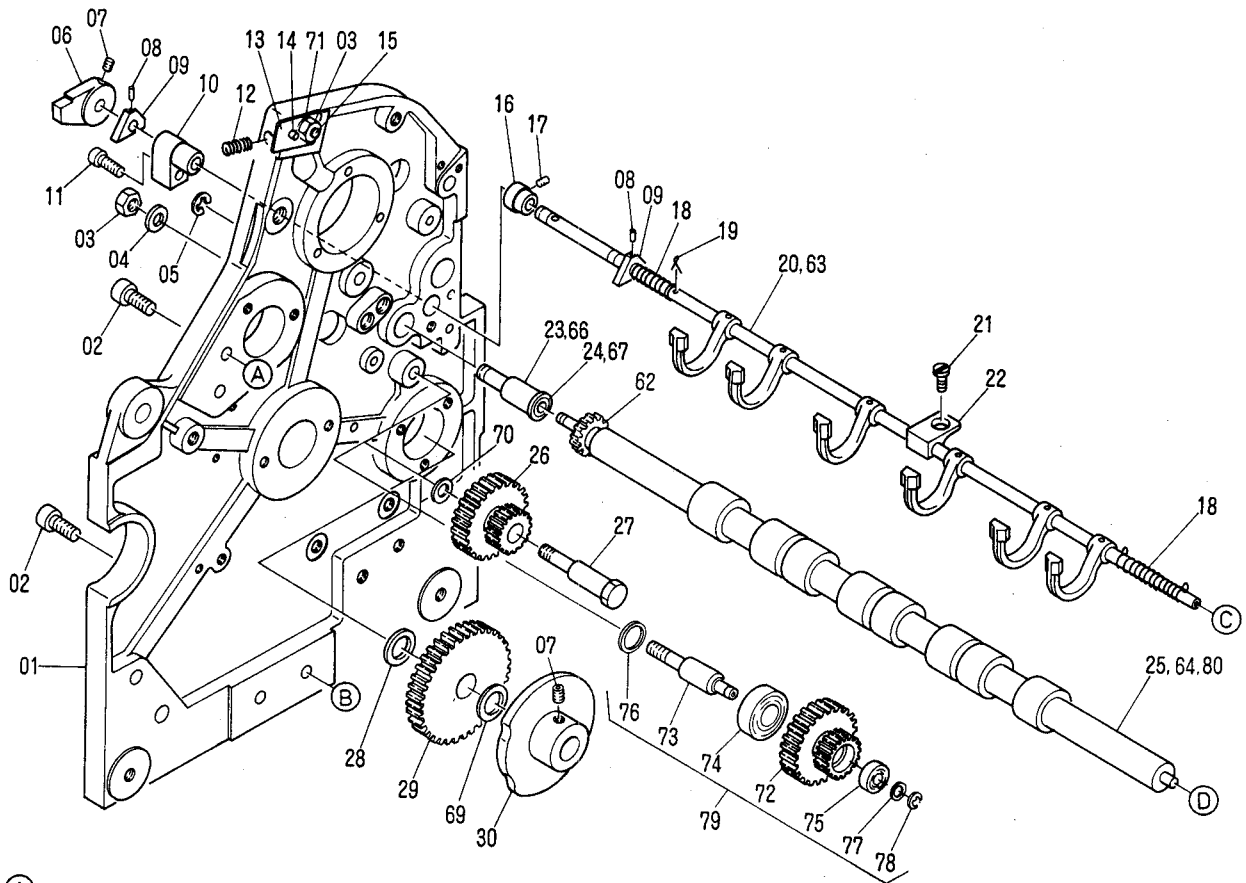


NOP-Side



OP-Side

H1016

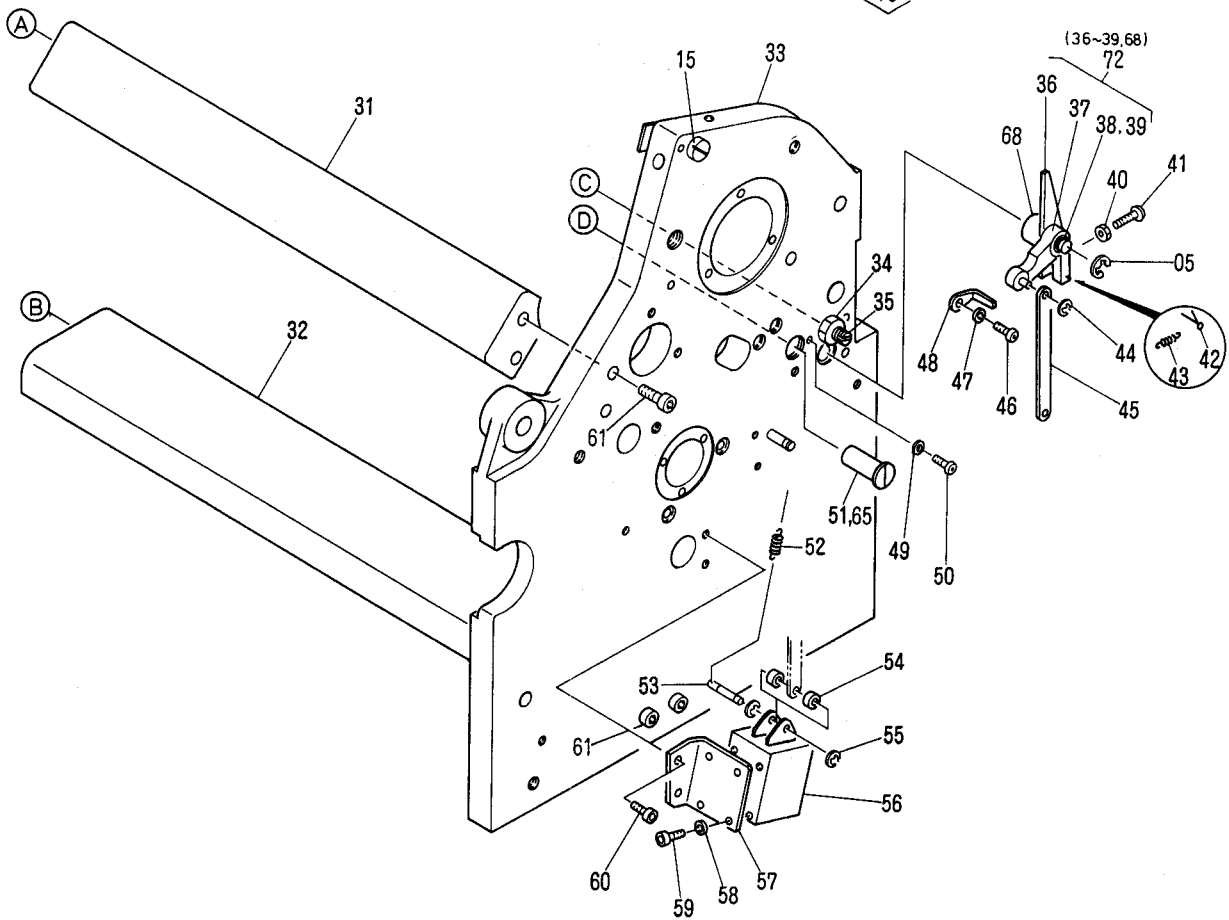
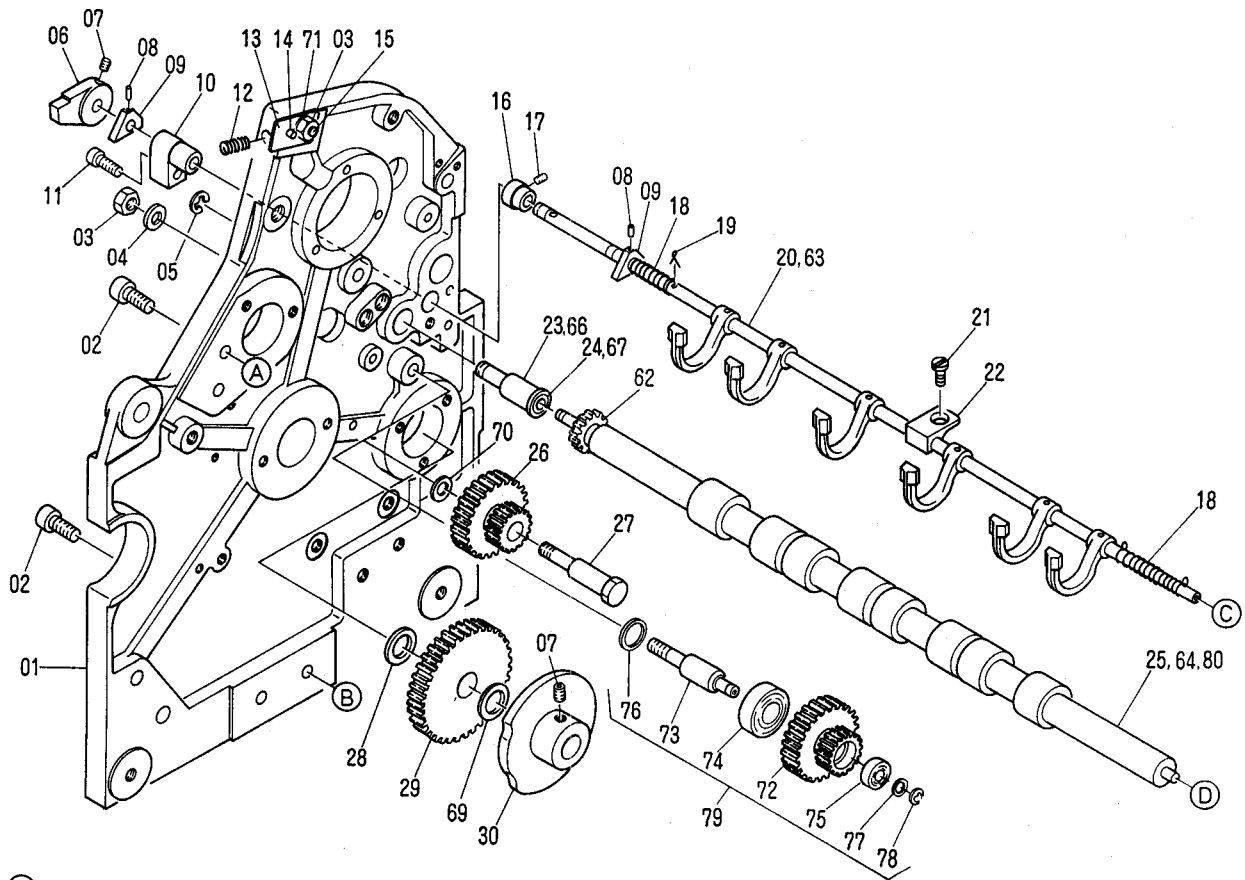


**Press Section
(Lower Feed Roller and Sheet Detector Finger)**

H1016

INDEX No.	Parts No.	Description	Remarks	Units Per Assy
01	6502-01002	Printing Head Frame	NOPS	1
02	117-480	Screw		4
03	170-108	Nut		3
04	184-108	Flat Washer		1
05	181-406	E-Ring		2
06	6502-05016	Stopper		1
07	145-510	Set Screw		2
08	5102-05045	Roll Pin		2
09	M04-30-3	Head Stop Operating Cam		2
10	6502-05011	Head Stop Bushing		1
11	117-370	Screw		1
12	M01-23-3	Compression Spring		1
13	M01-24-3	Guide Plate		2
14	183-180	Roll Pin		2
15	4206-01023	Screw		2
16	6502-05018	Collar		1
17	145-404	Set Screw		1
18	M04-32-3	Twist Spring		2
19	183-744	Cotter Pin		2
20	6502-05003B	Head Stop Assy	E135~	1
21	M04-60-3	Screw		1
22	M04-59-3	Head Stop Bracket		1
23	6502-05020	Lower Feedroller Bushing	E135~	1
24	241-0810.2	Bushing	Included in 23 E135~	1
25	6502-05001A	Lower Feed Roller	E135~	1
26	M05-42-3	Combination Gear	OLD	1
27	6502-14018	Combination Gear Stud	OLD	1
28	6502-14045	Spacer		1
29	6502-14050	Timing Drive Gear		1
30	H38-07-01-3	Cam		1
31	M01-12-7	Bar Spreader		1
32	6502-01003	Bar Spreader		1
33	6502-01001	Printing Head Frame	OPS	1
34	170-108.3	Nut		1
35	M01-08-3	Pin		1
36	M04-42-3	Detent Pawl		1
37	EM04-19A	Detent Pawl Bracket		1
38	243-607	Bushing	Included in 37	1
39	243-609	Bushing	Included in 37	1
40	170-104	Nut		1
41	125-672	Screw		1
42	183-747	Cotter Pin	Included in 37	1
43	M04-43-3	Pawl Spring		1
44	181-403	E-Ring		1
45	EM04-22	Link		1
46	125-708	Screw		1
47	180-105	Lock Washer		1
48	CK02-33	Detent Pawl Stop		1
49	H01-21-3	Retaining Washer		1
50	125-656	Screw		1
51	6502-05021	Lower Feedroller Eccentric Bushing	OPS E135~	1
52	EM04-25	Spring		1
53	EM04-42	Pin		1
54	EM04-43	Collar		2
55	181-403	E-Ring		2
56	E09-29-3	Solenoid		
57	EM04-41	Bracket for Solenoid		1
58	180-104	Lock Washer		4
59	170-410	Screw		4
60	117-512	Screw		2
61	117-481	Screw		4
62	M04-53-3	Lower Feedroller Drive Gear		1
63	6502-05003C	Head Stop Assy	E0119~132, 134	1
64	M04-51-1A-7	Lower Feed Roller	E0119~132, 134	1
65	6502-05026	Lower Feed Roller Eccentric Bushing	E0119~132, 134	1
66	6502-05025	Lower Feed Roller Bushing	E0119~132, 134	1
67	241-0608.2	Bushing	E0119~132, 134	1
68	6502-05017	Pin		1
69	6502-14046	Spacer		1
70	6502-14006	Spacer		1

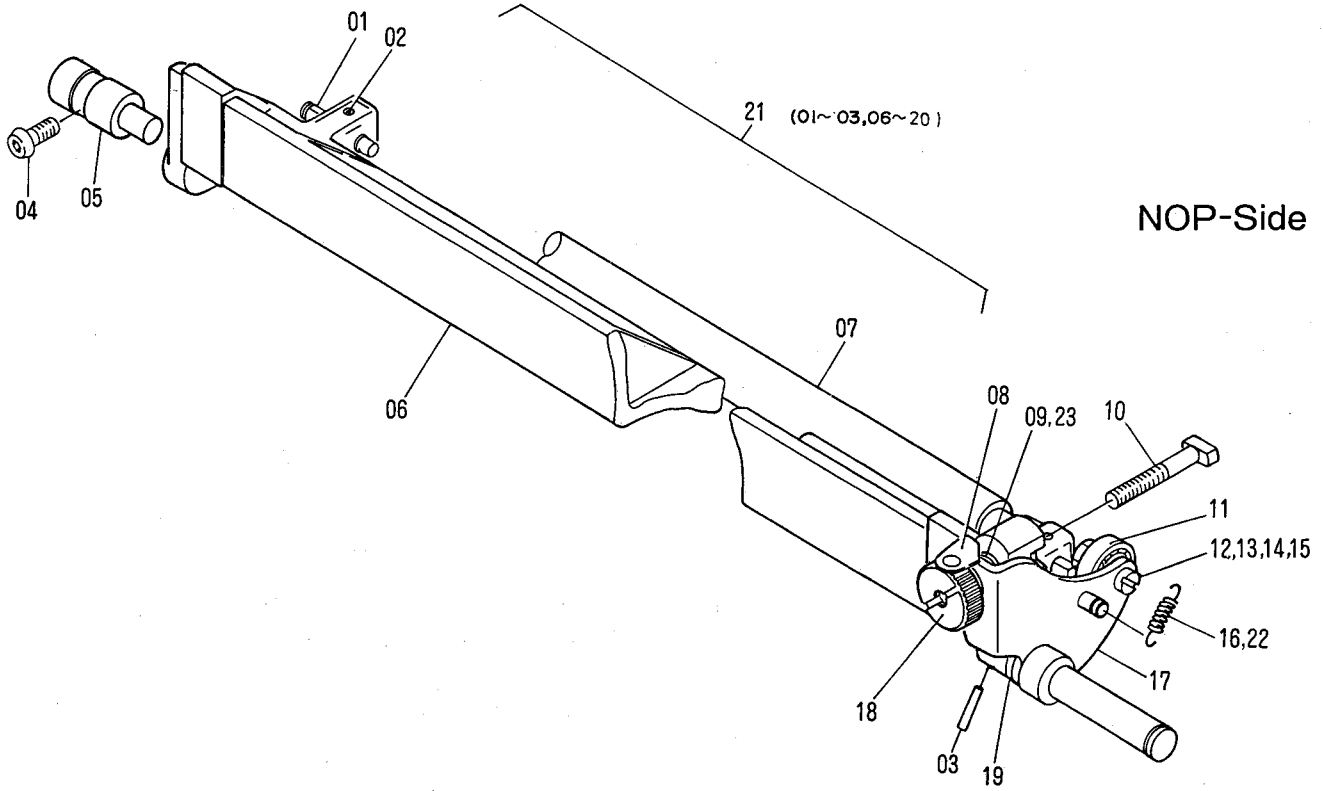
H1016



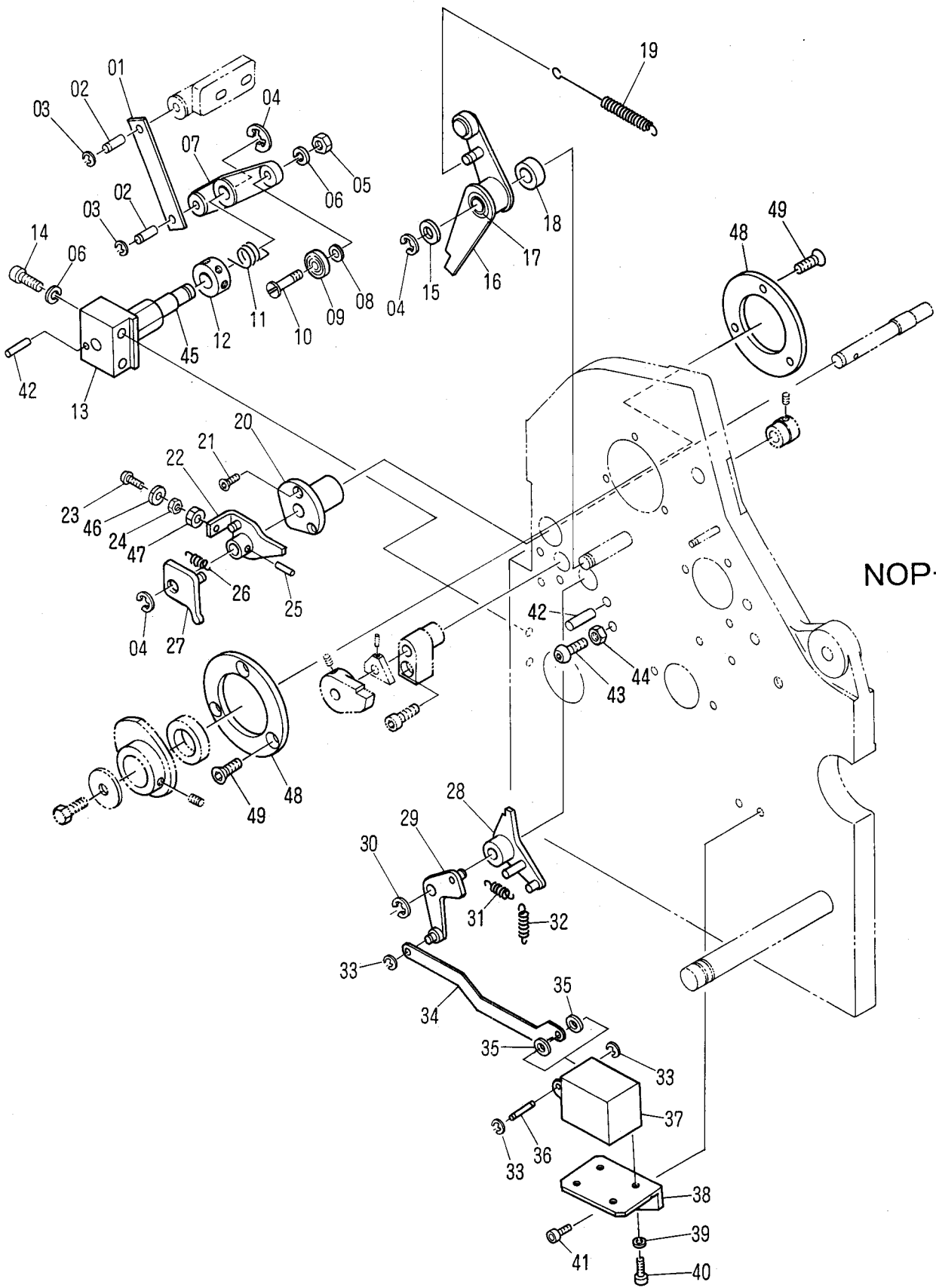
H1018

OP-Side

NOP-Side

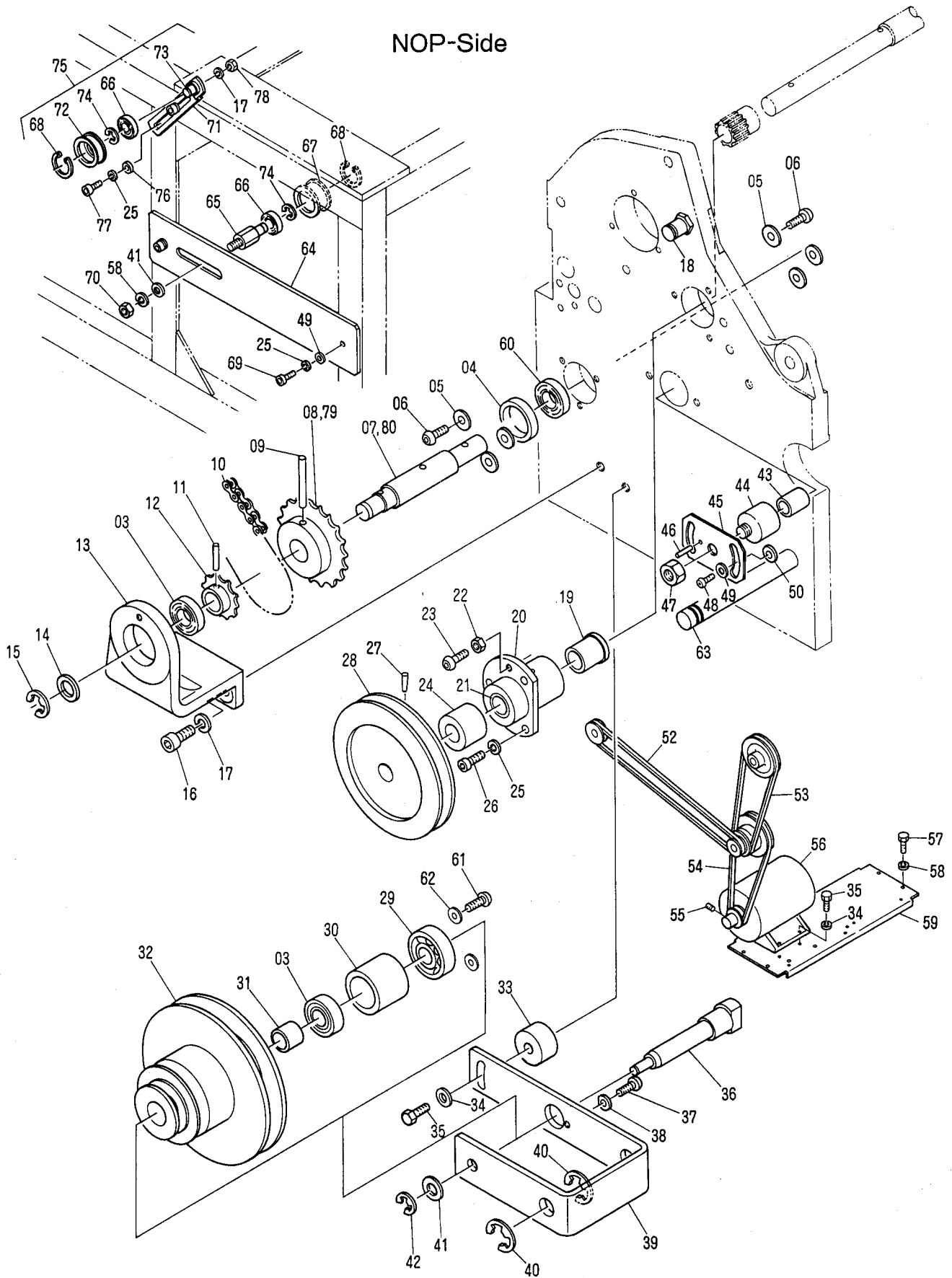


H1019



NOP-Side

NOP-Side

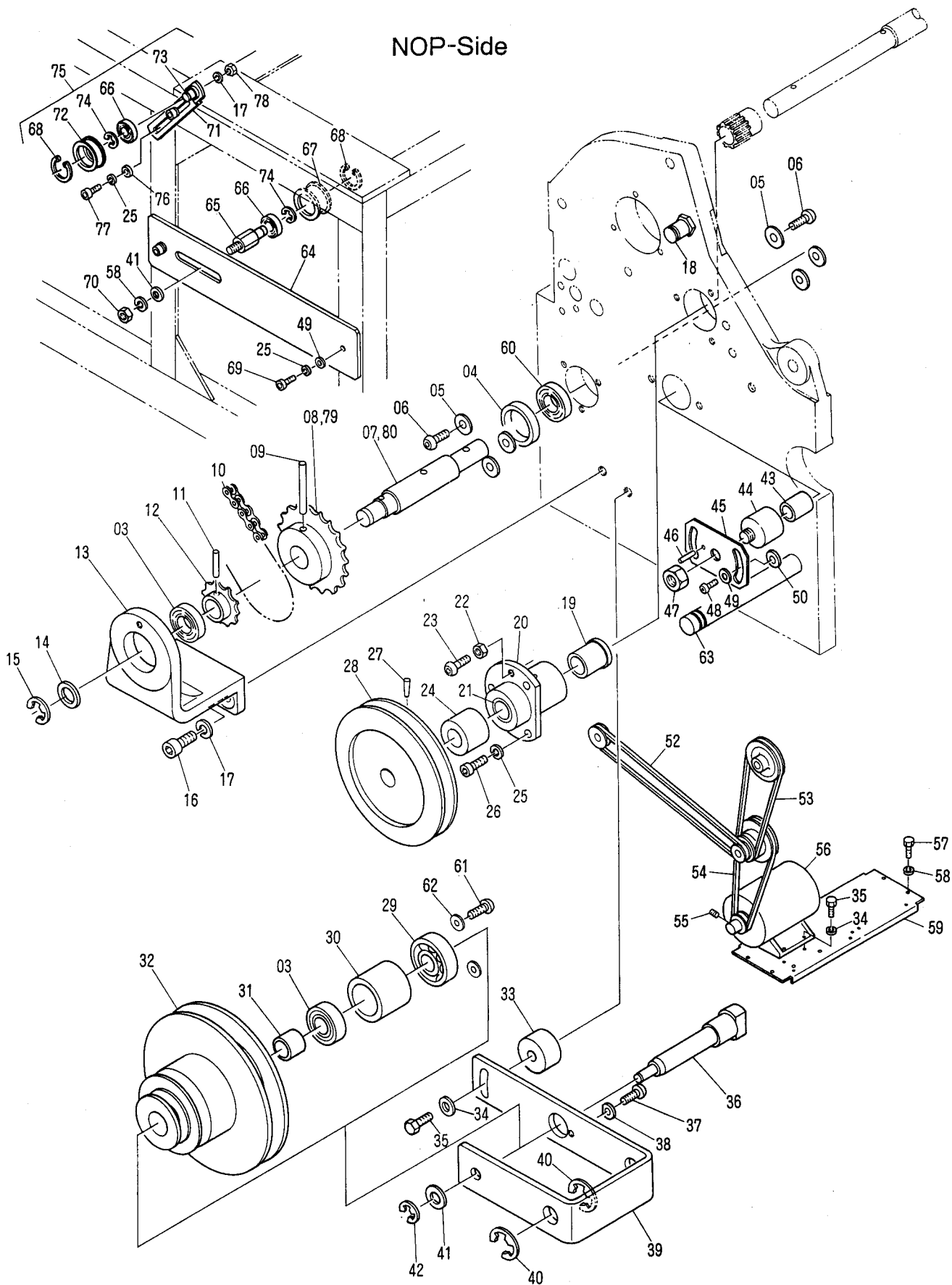


Press Section
(Drive Pulley)

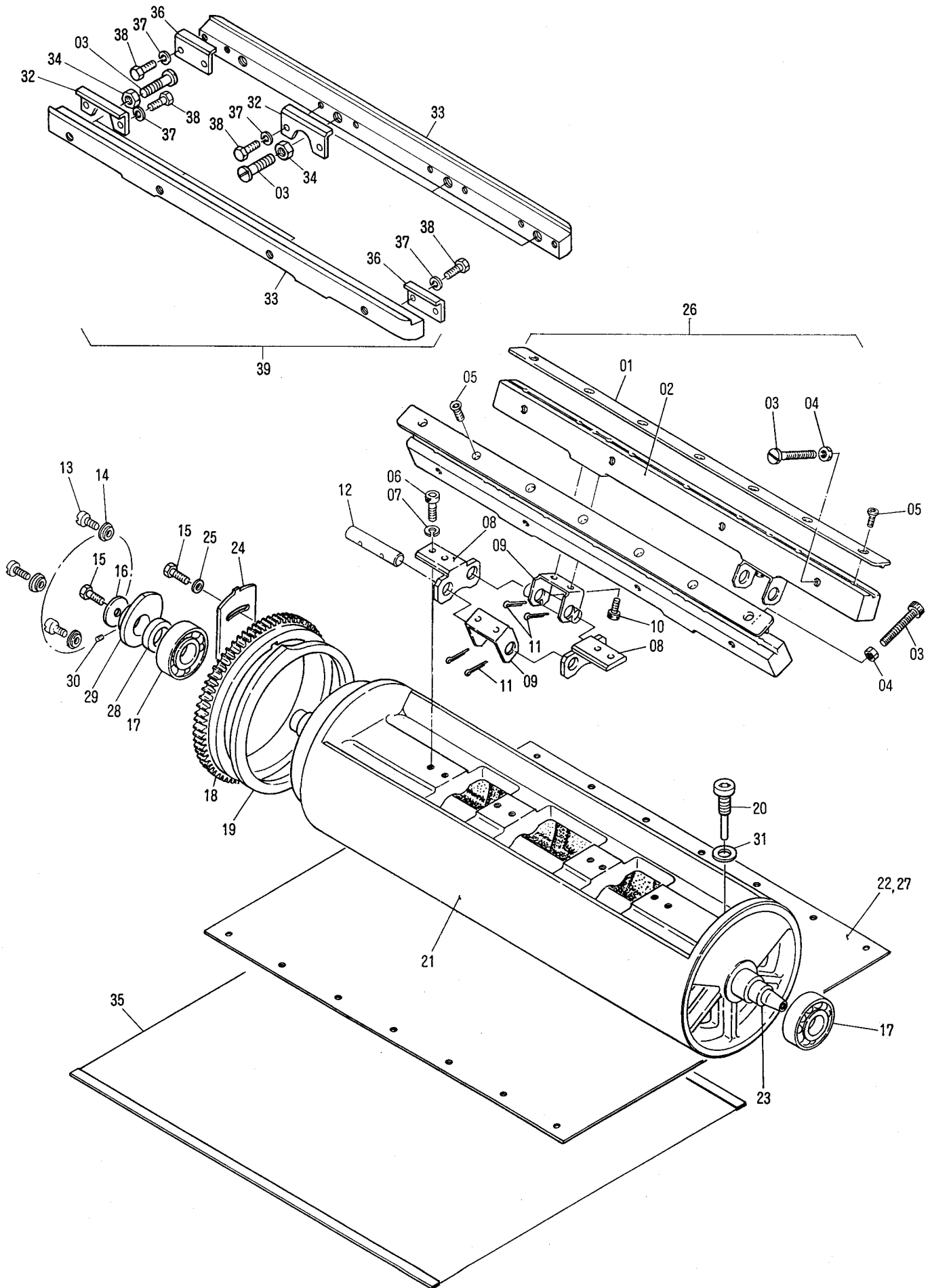
H1020

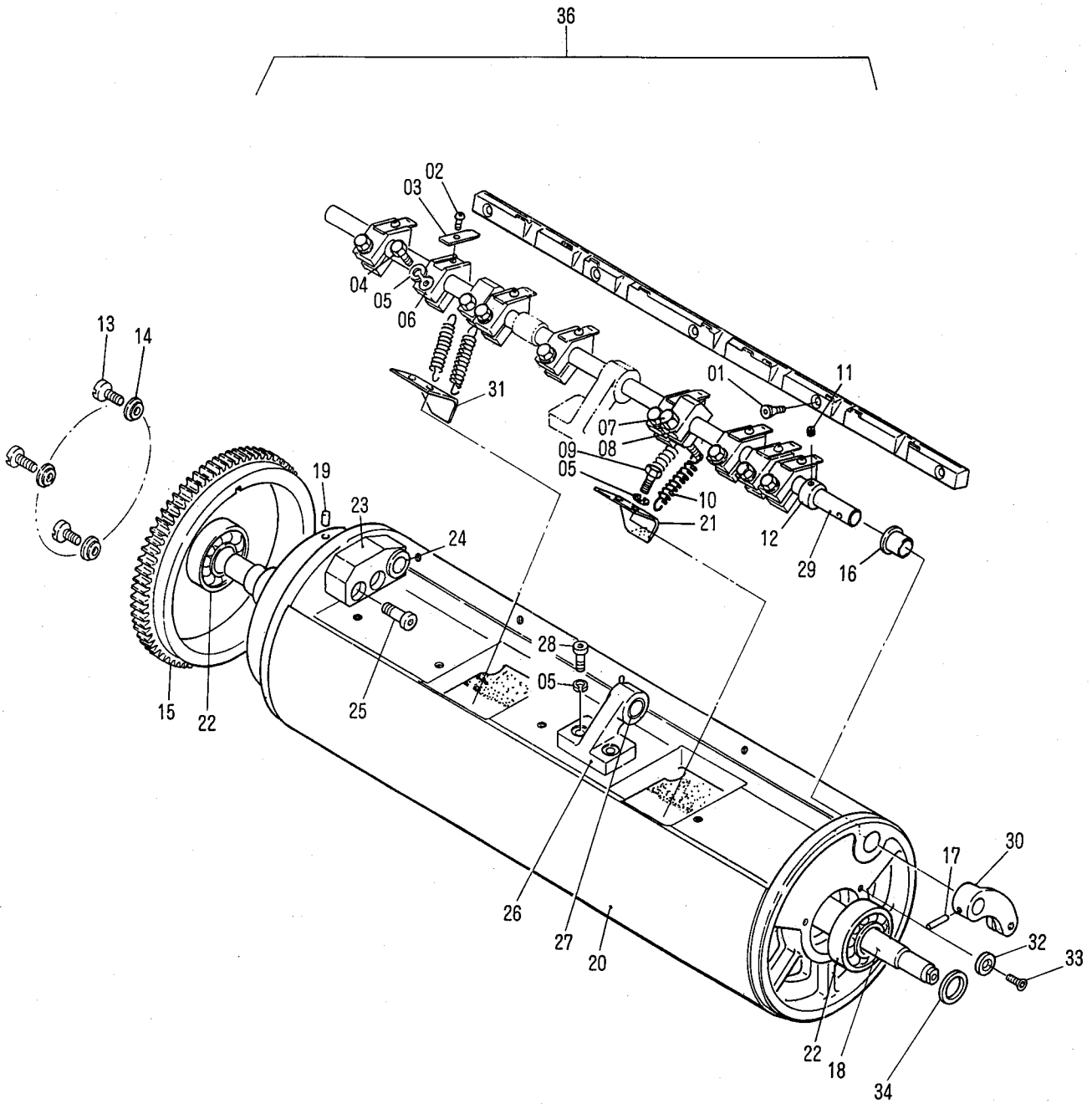
INDEX No.	Parts No.	Description	Remarks	Units Per Assy
01	6503-03003	Bearing Retainer		2
02	122-110	Screw		6
03	250-202.6	Bearing		2
04	6502-14006	Collar		1
05	A17-22-3	Spacer		6
06	125-756	Screw		6
07	6502-14005	Cam Shaft	OLD	1
08	6502-14009	Sprocket	OLD	1
09	IT-5-50	Roll Pin		1
10	6502-14016	Chain		1
11	183-187	Roll Pin		1
12	6502-14007	Sprocket		1
13	6502-14004	Bracket		1
14	B04-35-06-3	Flat Washer		1
15	181-412	E-Ring		1
16	117-430	Screw		2
17	180-108	lock Washer		3
18	M01-21-3	Connecting Stud		1
19	M25-10-3	Bushing		1
20	6502-14001B	Main Drive Shaft Bushing Bracket		1
21	M25-09-3	Bushing		1
22	170-105	Nut		1
23	125-772	Screw		1
24	6502-14013	Spacing Collar		1
25	180-106	Lock Washer		7
26	117-370	Screw		3
27	182-171	Taper Pin		1
28	M05-74-01-3	Main Drive Pulley		1
29	250-302.6	Bearing		1
30	6502-14021	Spacing Collar		1
31	6502-14022	Spacing Collar		1
32	6502-14025	Pulley		1
33	6502-14014	Spacing Collar		1
34	184-108	Flat Washer		5
35	101-481	Screw		5
36	6502-14019	Clutch Pulley Shaft		1
37	125-705	Screw		1
38	M05-81-3	Retaining Washer		1
39	6502-14026	Clutch Pulley Bracket		1
40	181-415	E-Ring		2
41	184-110	Flat Washer		2
42	181-408	E-Ring		2
43	243-642	Bushing	Included in 44	1
44	M22-64-2A-3	Eccentric Impression Bushing Case		1
45	M22-61-3	Impression Parollelling Bracket		1
46	183-150	Roll Pin		1
47	170-110.3	Nut		1
48	125-770	Screw		2
49	184-106	Flat Washer		4
50	M02-35-3	Spacer		2
51				
52	5202-14025	Feeder Drive Belt	M54	1
53	6502-14041	Cylinder Head Drive Belt	A-30	1
54	6502-14042	Main Drive Belt	B-53	1
55	145-360	Set Screw		1
56	E01-73-3	Drive Motor		1
57	101-556	Screw		4
58	180-110	Lock Washer		5
59	6502-14032	Motor Mounting Platform		1
60	250-003.6	Bearing		1
61	125-712	Screw		3
62	M05-81-3	Retaining Washer		3
63	6502-14008	Pin		1
64	6502-14043	Bracket		1
65	6502-14044	Pin		1
66	250-201.6	Bearing		2
67	4205-03006	Guide Roller		1
68	181-012	C-Ring		2
69	117-362	Screw		2
70	170-110	Nut		1

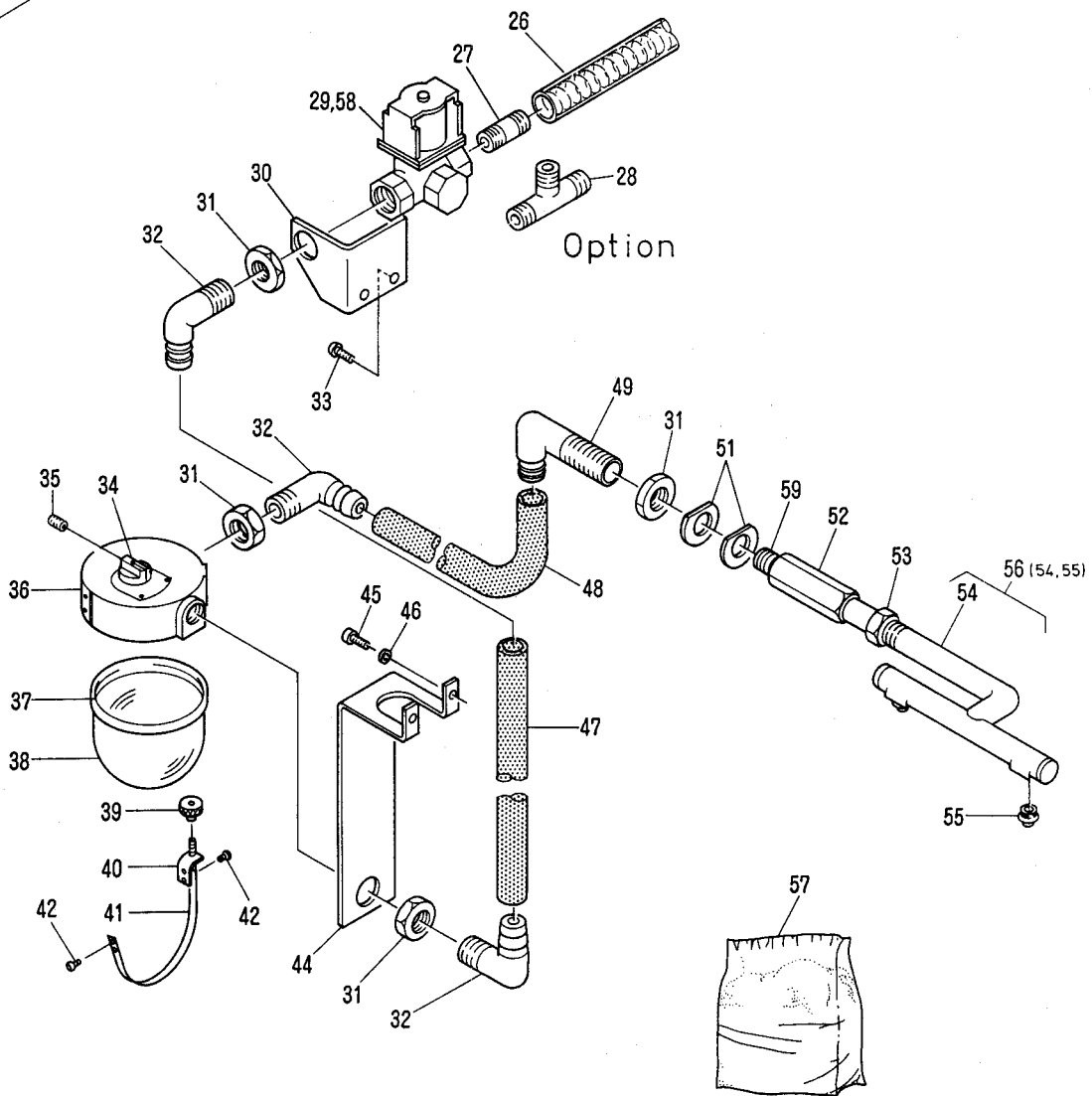
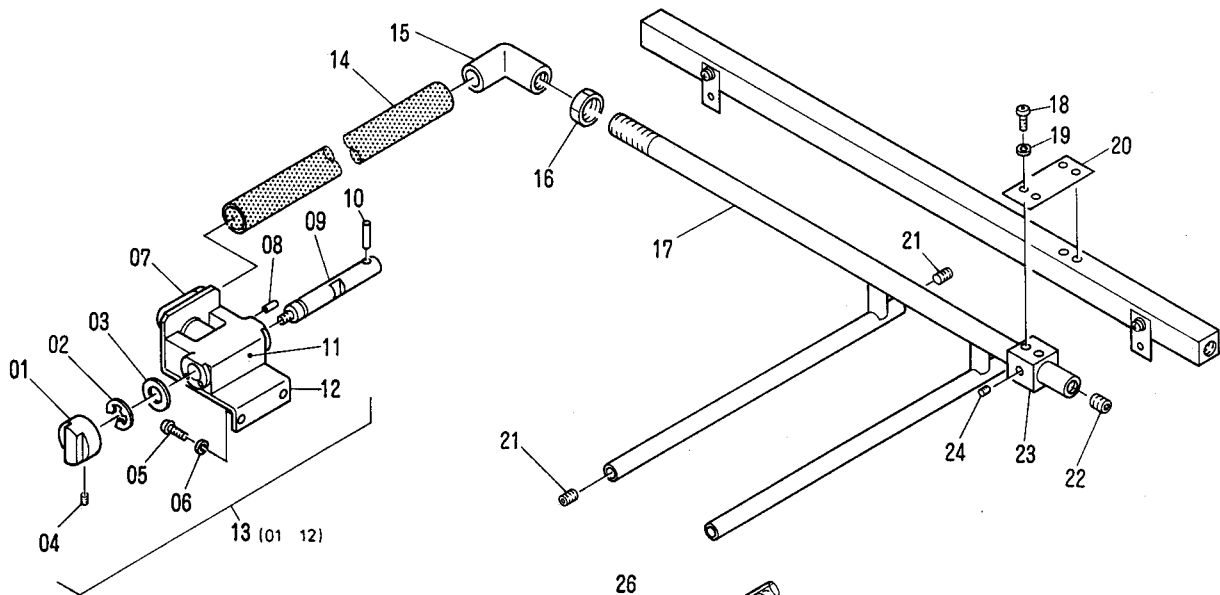
NOP-Side



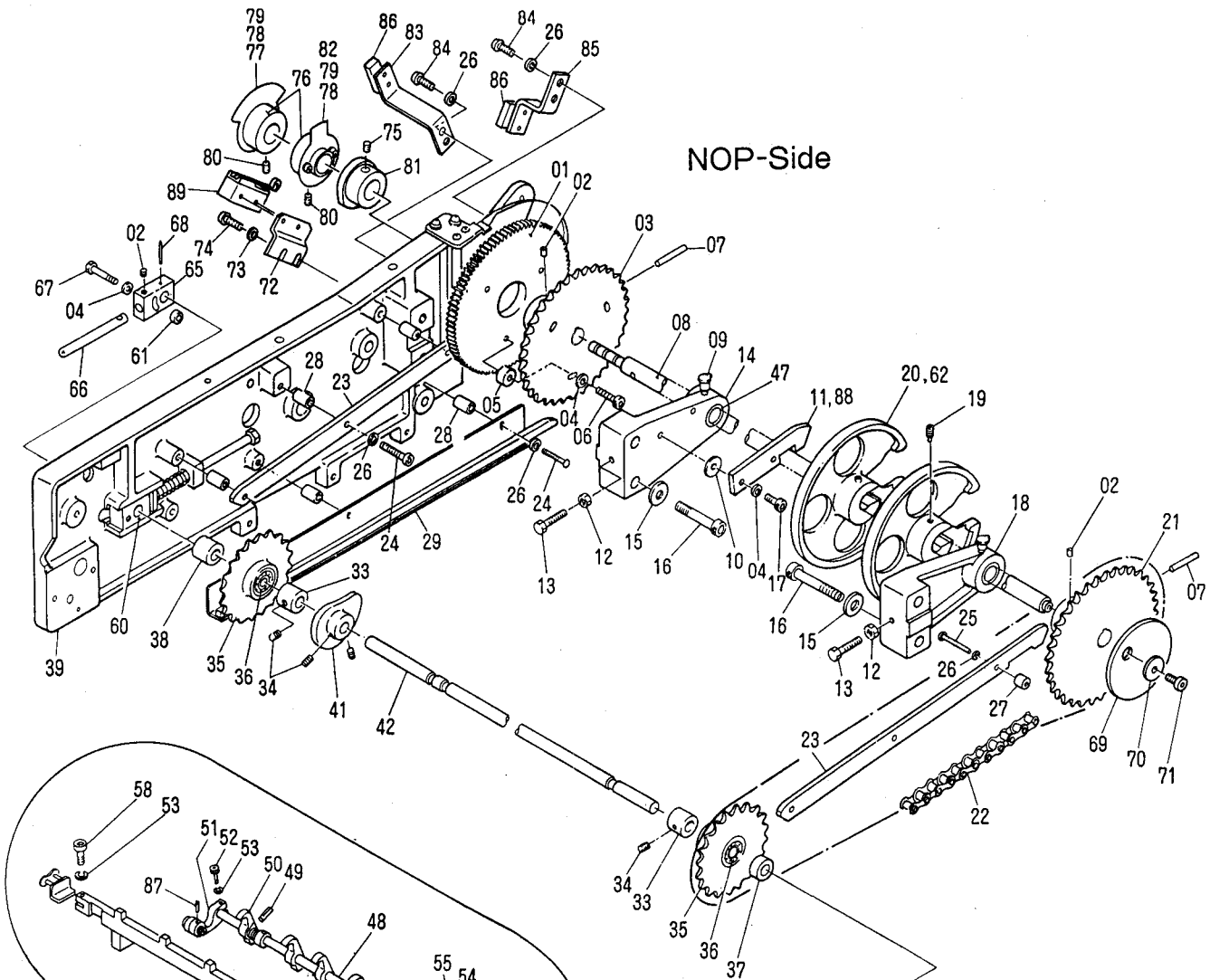
II1021



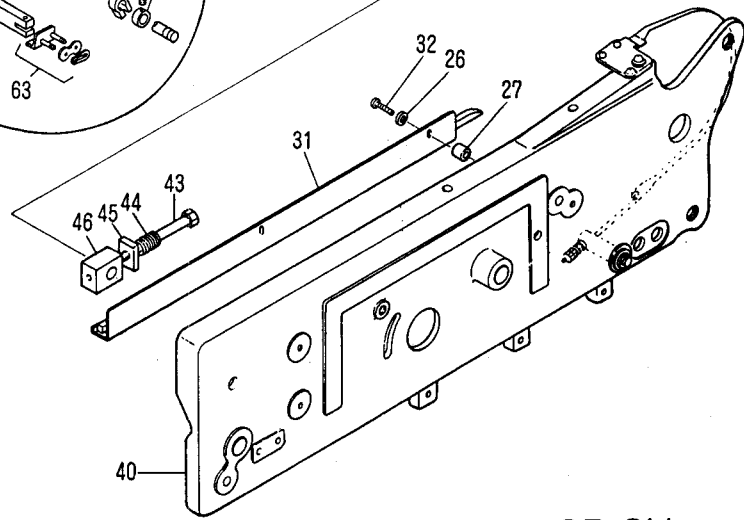




NOP-Side



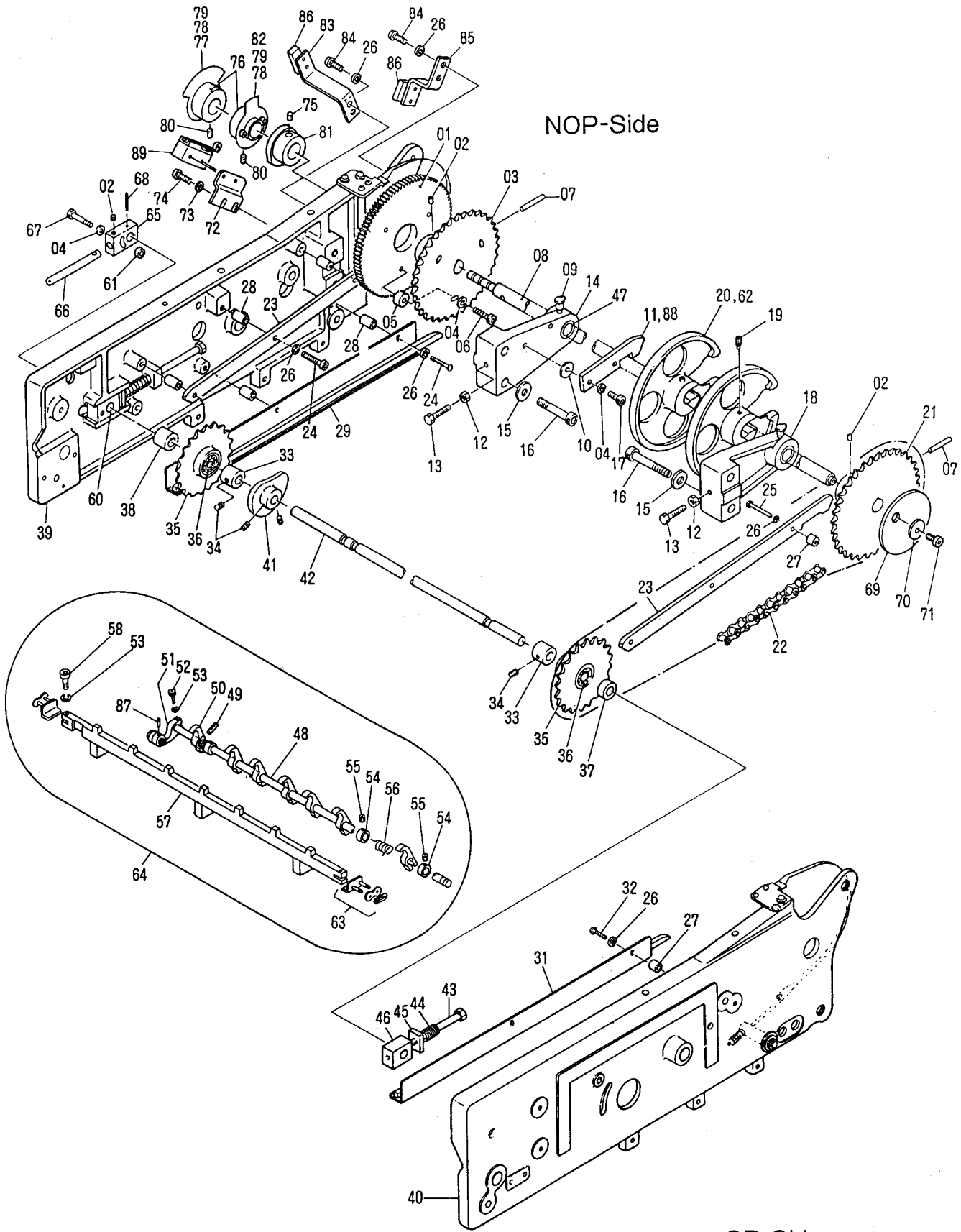
OP-Side



**Chain Delivery Section
(Delivery Drive Sprocket, Driven Sprocket and Gripper Bar Assy)**

H1038

INDEX No.	Parts No.	Description	Remarks	Units Per Assy
01	A17-05-3	Delivery Drive Gear		1
02	145-358	Set Screw		3
03	A23-13-01-3	Delivery Drive Sprocket	NOPS	1
04	184-106	Flat Washer		6
05	A03-06-3	Spacer		3
06	117-375	Screw		3
07	182-192	Taper Pin		2
08	6504-02005	Drive Sprocket Shaft		1
09	A17-94-3	Oiler	Included in 14, 18	2
10	KC08-76	Spacer		2
11	6504-02014	Delivery Gripper Receiving Cam		1
12	170-106	Nut		2
13	101-382.5	Screw		2
14	A23-15-1A-3	Sprocket Shaft Bracket	NOPS	1
15	180-110	Flat Washer		4
16	117-574	Screw		4
17	117-370	Screw		2
18	A23-16-1A-3	Sprocket Shaft Bracket	OPS	1
19	140-362	Set Screw		4
20	A23-17-1A-3	Paper Guide Wheel		4
21	A23-14-01-3	Delivery Drive Sprocket	OPS	1
22	A17-37-1A-3	Delivery Gripper Chain		2
23	A17-84-3	Chain Guide Rail		2
24	125-730	Screw		6
25	125-722	Screw		3
26	180-105	lock Washer		16
27	A03-63-3	Spacer		6
28	A03-64-3	Spacer		6
29	A17-57-3	Chain Guide Rail	NOPS	1
31	A17-60-3	Chain Guide Rail	OPS	1
32	125-725	Screw		3
33	A03-32-3	Lock Collar		2
34	145-356	Set Screw		4
35	A17-30-1A-3	Delivery Driven Sprocket		2
36	250-001.6	Ball Bearing	Included in 35	4
37	A03-34-3	Spacing Collar		1
38	A03-35-3	Spacing Collar		1
39	6504-01018A	Delivery Frame	NOPS, ES-0L401~	1
40	6504-01019A	Delivery Frame	OPS, ES-1E069~	1
41	A03-89-3	Gripper Release Cam		1
42	4206-09002	Drive Sprocket Shaft		1
43	A17-23-3	Breather Screw		2
44	A03-24-3	Breather Spring		2
45	A03-25-3	Breather Adjustment Nut		2
46	A03-26-3	Driven Sprocket Shaft Pilot Block	OPS	1
47	A62-07-3	Bushing	Included in 14, 18	2
48	4206-09006	Gripper Shaft		3
49	183-182	Roll Pin		21
50	A17-46-01-3	Gripper Finger		21
51	A03-48-1B-3	Gripper Operating Lever		3
52	117-415	Screw		3
53	180-104	Lock Washer		9
54	A03-93-3	Lock Collar		6
55	145-404	Set Screw		6
56	A17-54-30-3	Gripper Finger Spring		21
57	4206-09003A	Delivery Gripper Bar		3
58	117-415	Screw		6
60	A23-10-3	Driven Sprocket Shaft Pilot Block	NOPS	1
61	A23-07-3	Spacer		1
62	A17-55-01-3	Paper for Guide Wheel	Included in 20	4
63	A03-39-1A-3	Chain Joint Assy	Included in 22	6
64	4206-09003B	Gripper Finger Bar Assy	(48-57)	3
65	A23-08-3	Front Guide Block		1
66	6504-04008	Handle		1
67	101-381	Screw		1
68	183-187	Roll Pin		1
69	6504-03006	Delivery Timing Cam		1
70	A01-47-3	Washer		



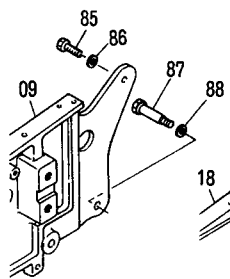
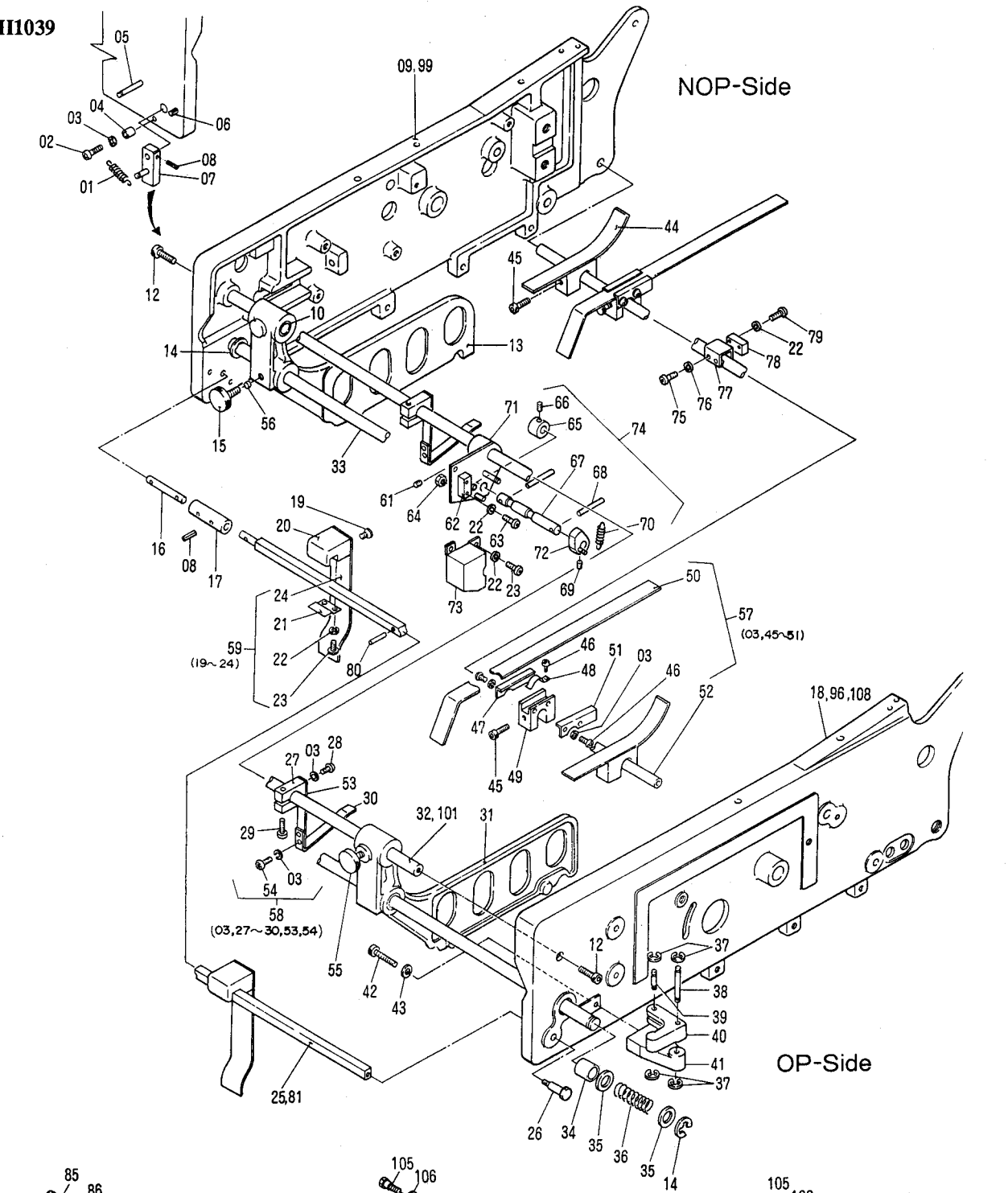
NOP-Side

OP-Side

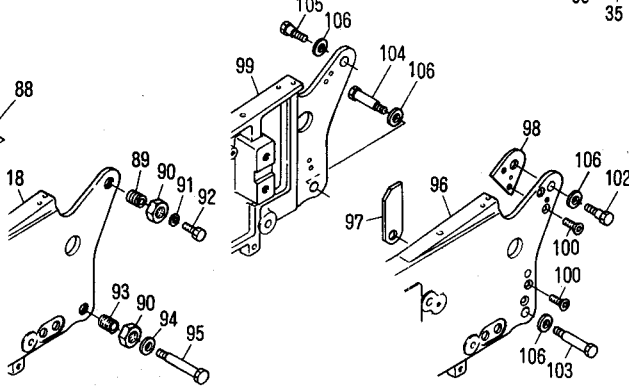
II1039

NOP-Side

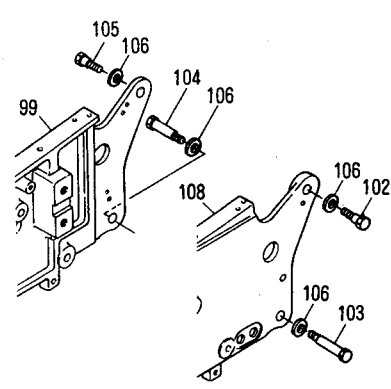
OP-Side



ES-OL400



ES-OL401~ES-1E068



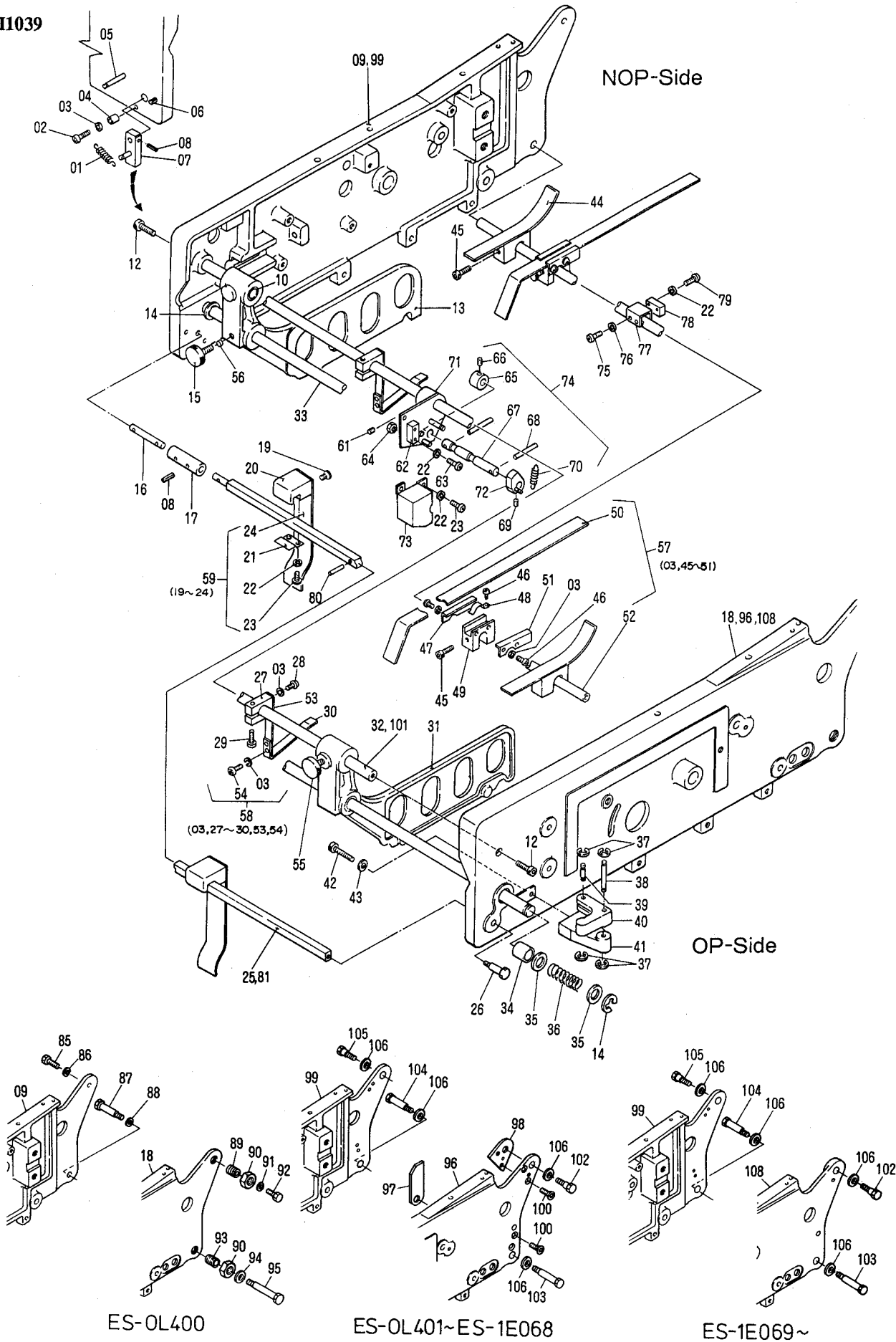
ES-1E069~

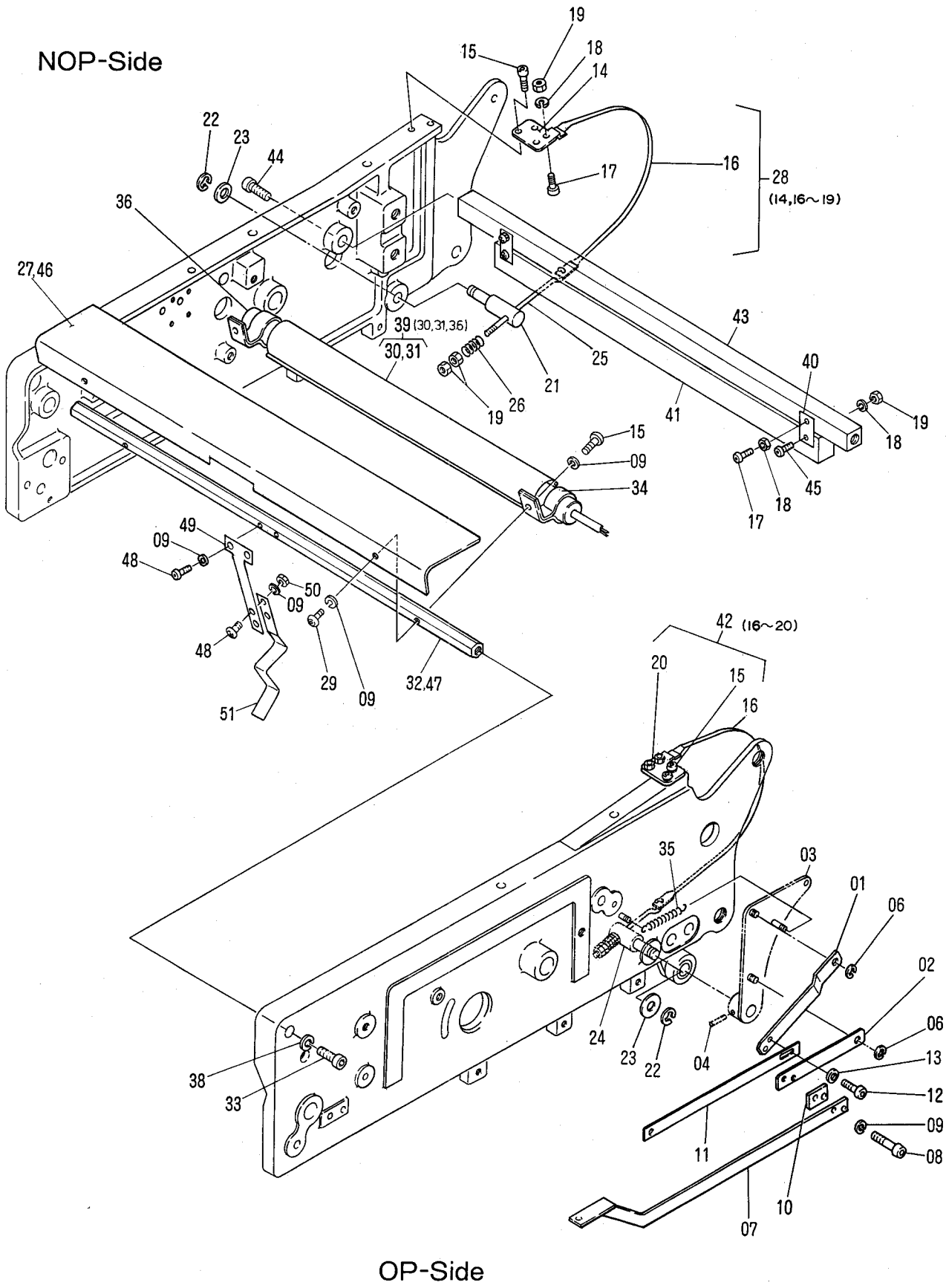
Delivery Section
(Delivery Pile Guide and Paper Guide)

H1039

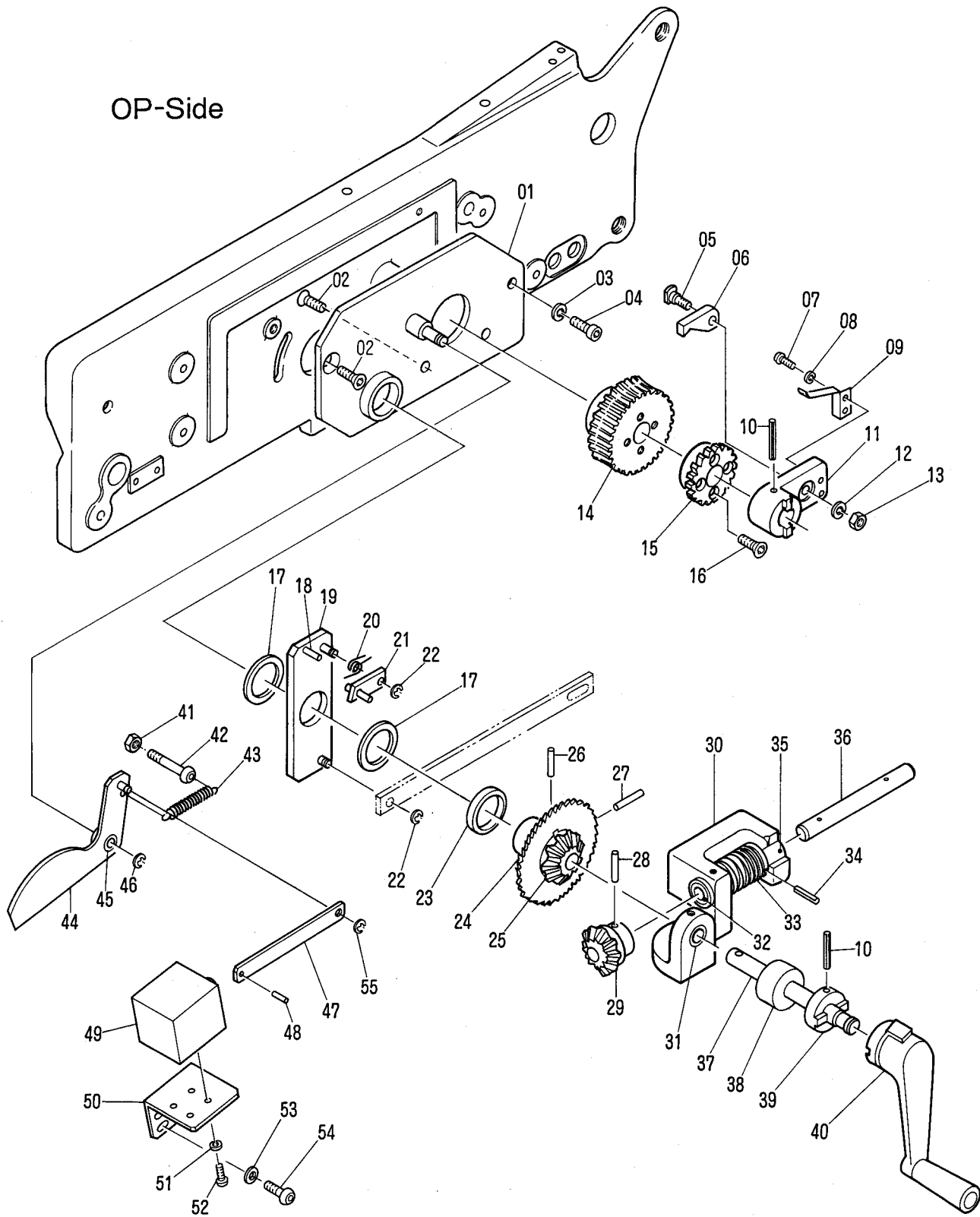
INDEX No.	Parts No.	Description	Remarks	Units Per Assy
01	A14-09-3	Spring		1
02	125-670	Screw		1
03	180-104	Lock Washer		17
04	A14-10-3	Eccentric Collar		1
05	223-0632.1	Spring Pin		1
06	183-245	Stop Pin		1
07	6504-04007A	Front Guide Shaft Lever		1
08	183-183	Roll Pin		3
09	6504-01009A	Delivery Frame Assy	NOPS, OLD	1
10	243-625	Bushing	Included in 13, 31	4
12	117-375	Screw		2
13	A18-53-1A-3	Delivery Pile Guide	NOPS	1
14	181-410	E-Ring		2
15	A04-63-3	Thumb Screw		1
16	A14-03-01-3	Front Guide Shaft Lever Pin		1
17	A14-37-3	Front Guide Shaft Coupling		1
18	6504-01008A	Delivery Frame Assy	OPS, OLD	1
19	122-108	Screw		4
20	A14-18-3	Front Guide Bracket		2
21	A14-19-3	Mounting Plate for Front Guide Bracket		2
22	180-103	Lock Washer		8
23	125-606	Screw		6
24	6504-04004	Front Guide		2
25	A14-01-7	Front Guide Cross Bar		1
26	A14-02-3	Bolt		1
27	A18-64-3	Stripper Bracket		2
28	125-658	Screw		4
29	117-525	Screw		2
30	A24-09-3	Plate		2
31	A18-58-1A-3	Delivery Pile Guide	OPS	1
32	6504-01012	Delivery Frame Outer Spreader		1
33	A24-05-7	Delivery Jogger Shaft		1
34	A01-11-3	Oilless Bushing for Jogger Shaft	Included in 09, 18	2
35	A04-51-3	Washer		2
36	A18-52-3	Spring		1
37	181-404	E-Ring		4
38	A18-47-3	Pivot Pin		1
39	A18-42-3	Connecting Pin		1
40	A18-41-3	Delivery Guide Operating Lever		1
41	A18-44-3	Operating Lever Bracket		1
42	117-380	Screw		2
43	180-106	Lock Washer		2
44	A18-77-1A-3	Outboard Paper Guide with Bracket		3
45	117-365	Screw		5
46	125-656	Screw		10
47	A19-32-01-3	Paper Guide Retainer		2
48	A05-36-3	Paper Guide Spring		2
49	A19-30-3	Paper Guide Bracket		2
50	A05-35-3	Inboard Paper Guide		2
51	A19-32-02-3	Paper Guide Retainer		2
52	6504-01002	Paper Guide Shaft		1
53	A24-08-3	Guide Plate		2
54	125-655	Screw		4
55	A04-62-3	Thumb Screw		1
56	A04-80-3	Pad		2
57	A19-30-1A-3	Paper Guide Assy		2
58	A24-09-1A-3	Paper Stripper Assy		2
59	6504-04004A	Front Guide Assy		2
61	145-356	Set Screw		1
62	E10-38-3	Micro Switch		1
63	125-066	Screw		2
64	170-103	Nut		2
65	M04-46-3	Collar		1
66	145-506	Set Screw		1
67	EA01-07	Shaft		1
68	183-189	Roll Pin		2
69	145-406	Set Screw		1
70	KG-55	Spring		1

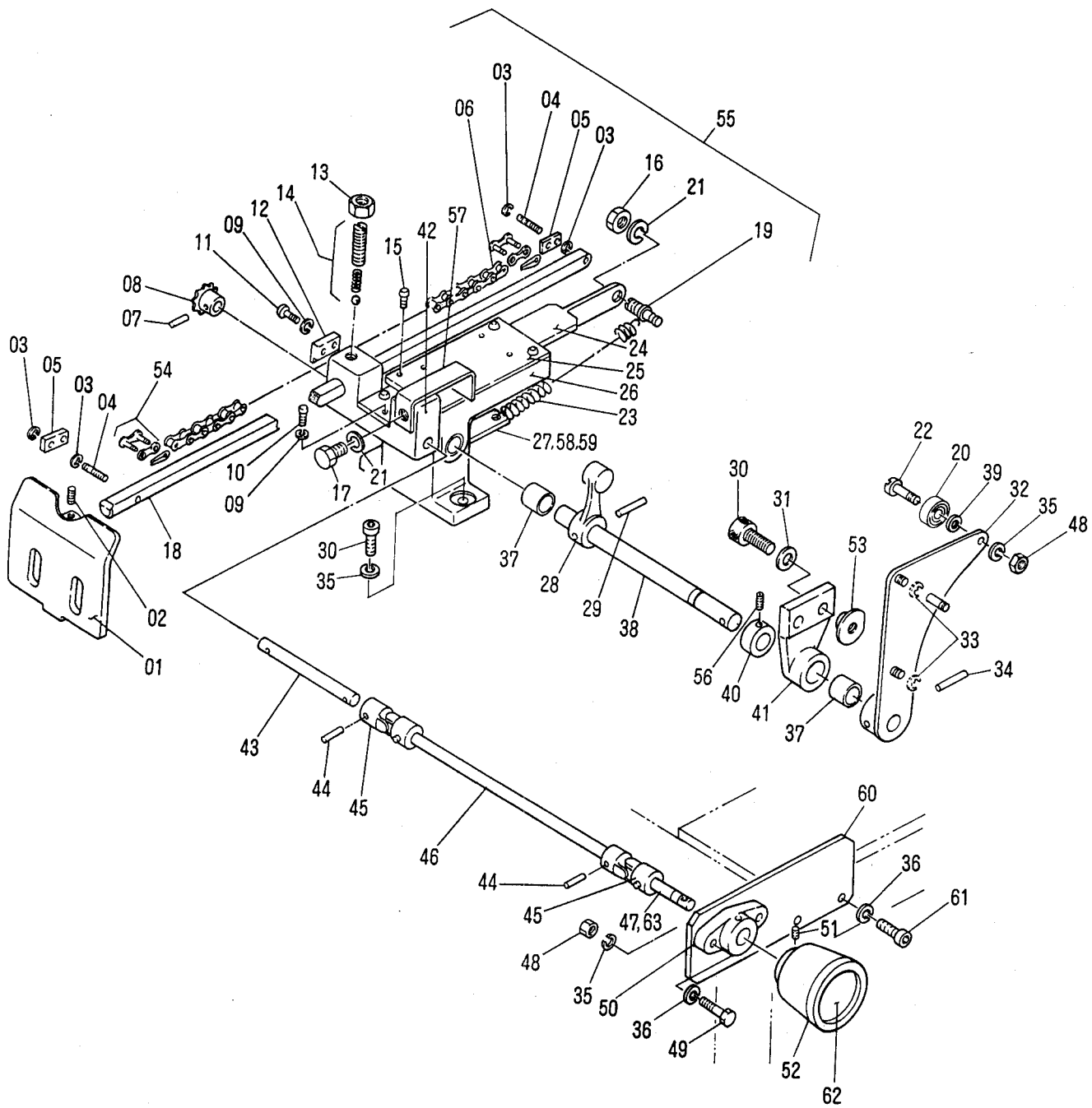
III1039





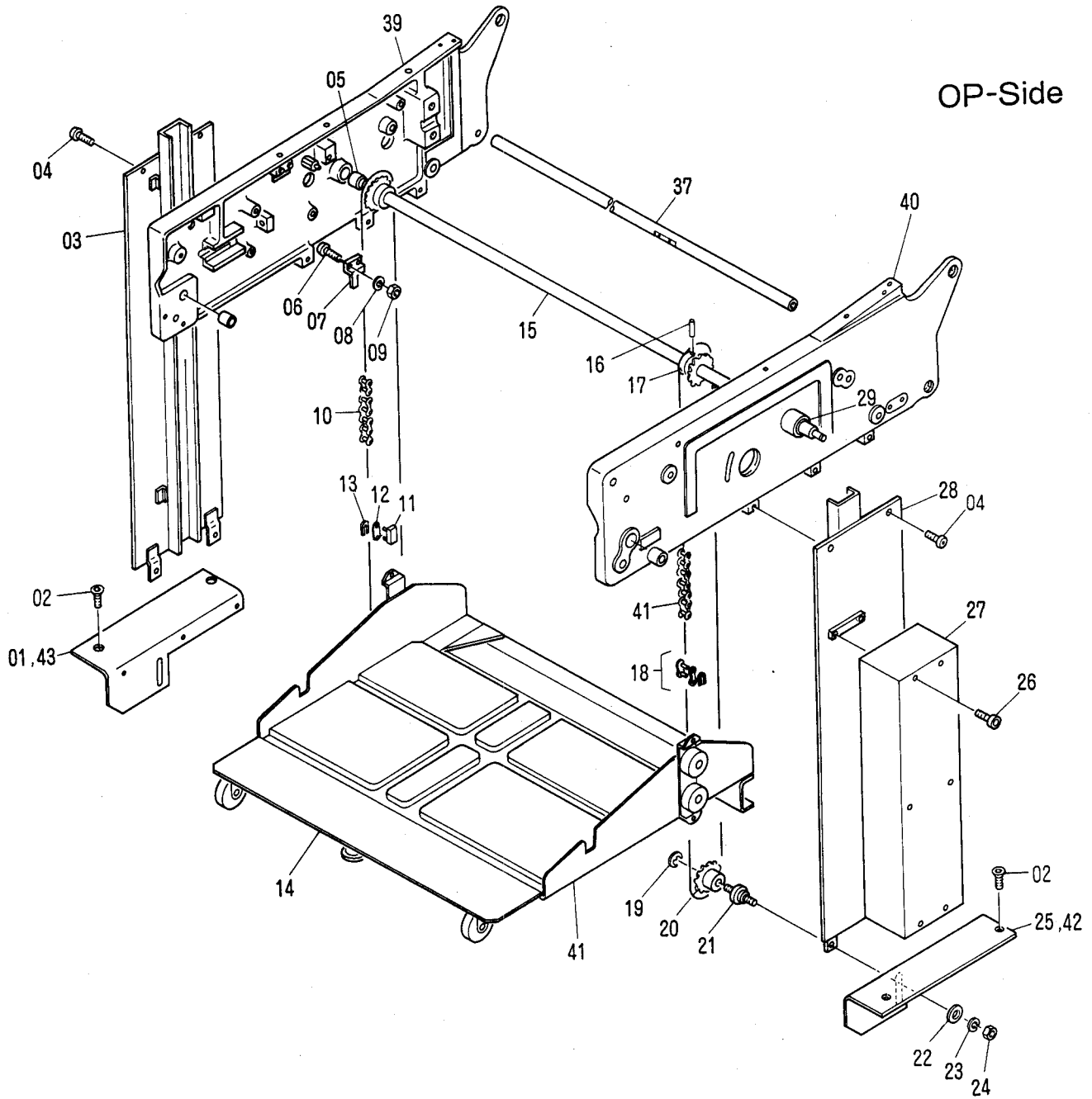
OP-Side





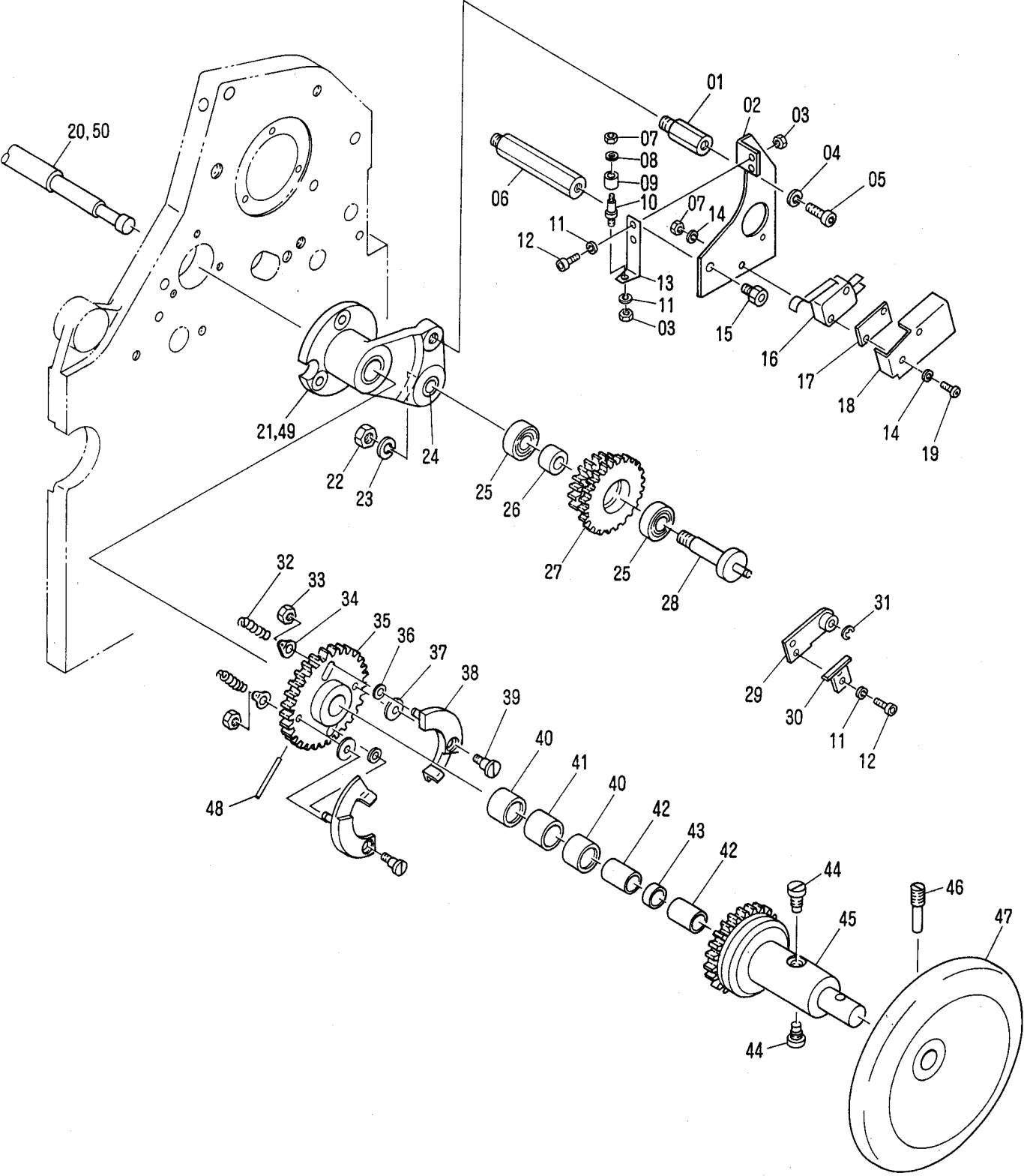
NOP-Side

OP-Side



H1045

OP-Side



パーツカタログの 使用方法について

1. このパーツカタログは、Su47, Su47S, Su47-NP, Su47S-NPの内容を掲載しております。

パーツご注文の際には、このパーツカタログをご覧になり、併せて以下のパーツカタログをご利用下さる様お願い致します。

CAT. No. 9220101

CAT. No. 9220111

CAT. No. 9220121

2. このパーツカタログは、必要な部品をイラスト図面と照合するだけで確認できるようになっております。

ご注文の際には、ご使用の機械名と機械番号、パーツリストの左上にありますフィギュアコード番号および必要部品のインデックス No と必要数量を連絡するだけで注文ができます。

但し部品の中には構造上、精度上の関係から工場出荷より組付けた状態（アッセンブリーパーツ）で出荷せざるを得ない部品がありますので予めご了承願います。

3. 部品番号には、専用部品と付属部品の2種類に大別されております。

専用部品の番号構成は次の通りです。

例 6503-03001

<u>6503</u>	<u>03</u>	<u>001</u>
↓	↓	↓
グループ記号	1 細分類コード	パーツコード

6503-03001A

↓
アッセンブリーを表示

備考欄について

例 Included in 10

10番の部品をご注文のさいに、この部品が含まれていることを表します。

例 (05~10)

この部品は05番から10番までの部品で構成されております。

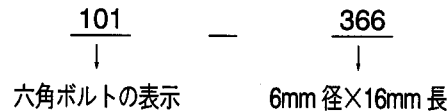
その他、型番や定格等を表示しておりますのでご注文のさいの参考にご使用下さい。

4. 附属部品（ボルト、ナット、ワッシャー等）は個々部品の寸法の違いにより数多い点数となります。

従ってこれらの部品は、専用部品とは区別し、特別な番号を付けてあります。

番号の数字によってその部品の規格が判明するようになっており、かつまた、生産の合理化を目標としたものです。

例 101-366



従って 101-366 の部品は六角ボルトで、径が 6mm 長さが 16mm であることが判明する訳です。

これらの附属部品の番号、仕様の一覧表は 12~15 頁を参照してご利用下さい。

5. このパーツカタログは、機構ごとに 6 グループに区別構成されております。

この 7 グループの内には、専門部品と他のモデルと互換の利く部品（A, B, F, G, H, I, M, R, U 等）から構成してあります。

- 6502 グループ…… 印刷部
- 6503 グループ…… インキ部・給湿部・洗浄部
- 6505 グループ…… カバー部
- 6506 グループ…… ナンバリング部
- 6507 グループ…… セカンドカラー部
- E グループ…… 電気部

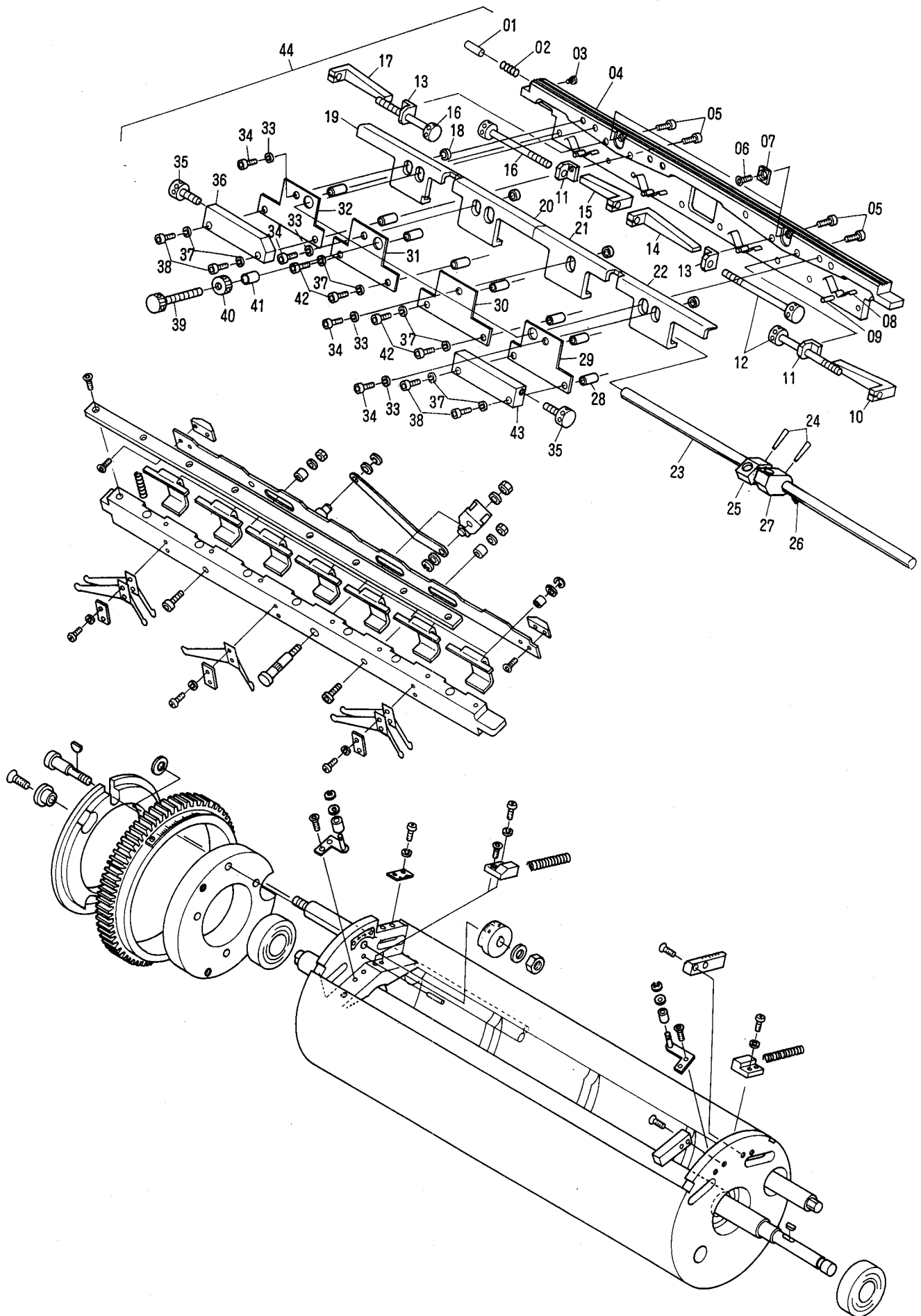
6. このパーツリストは、精密な立体組立図により構成されておりますから、簡単な修理作業及びメカニズムを理解する上に於いて本書は十分にお役にたつことと存じます。

7. このパーツリストは、予告なく変更する場合があります。

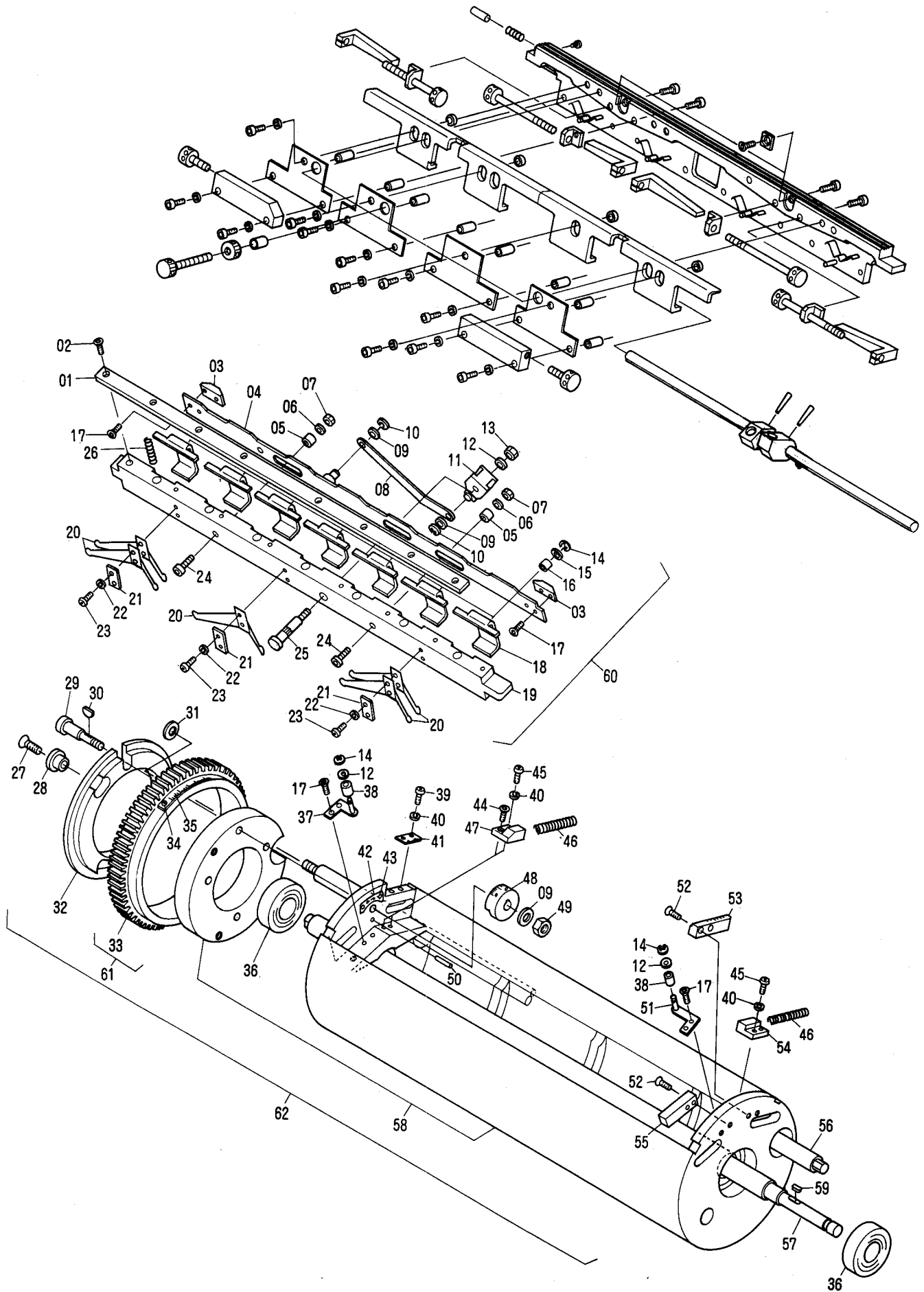
6 . The exploded views contained in the Catalog will help understanding of mechanisms and will be found useful in making simple repair.

7 . Subject to change without prior notice.

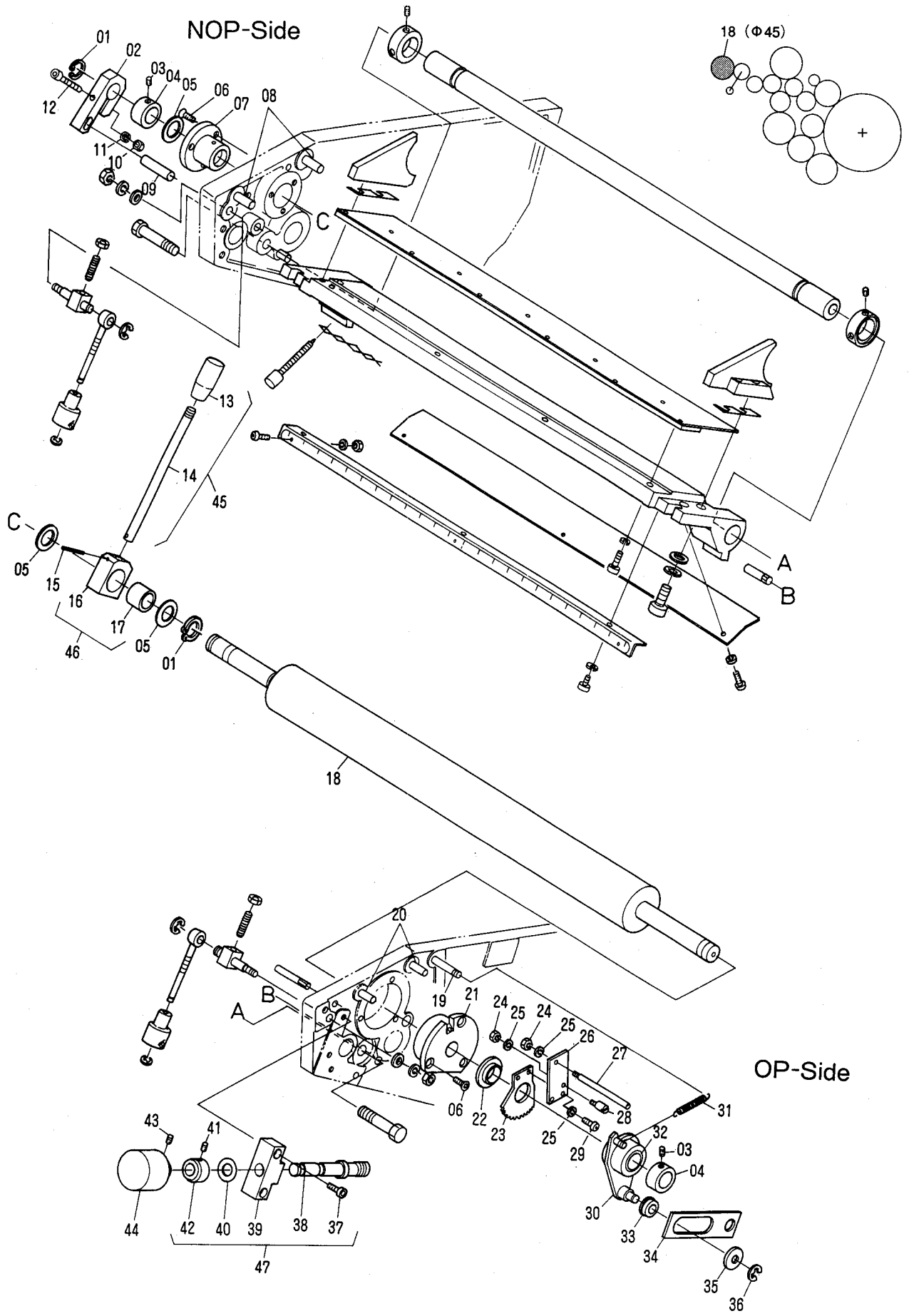
H5001



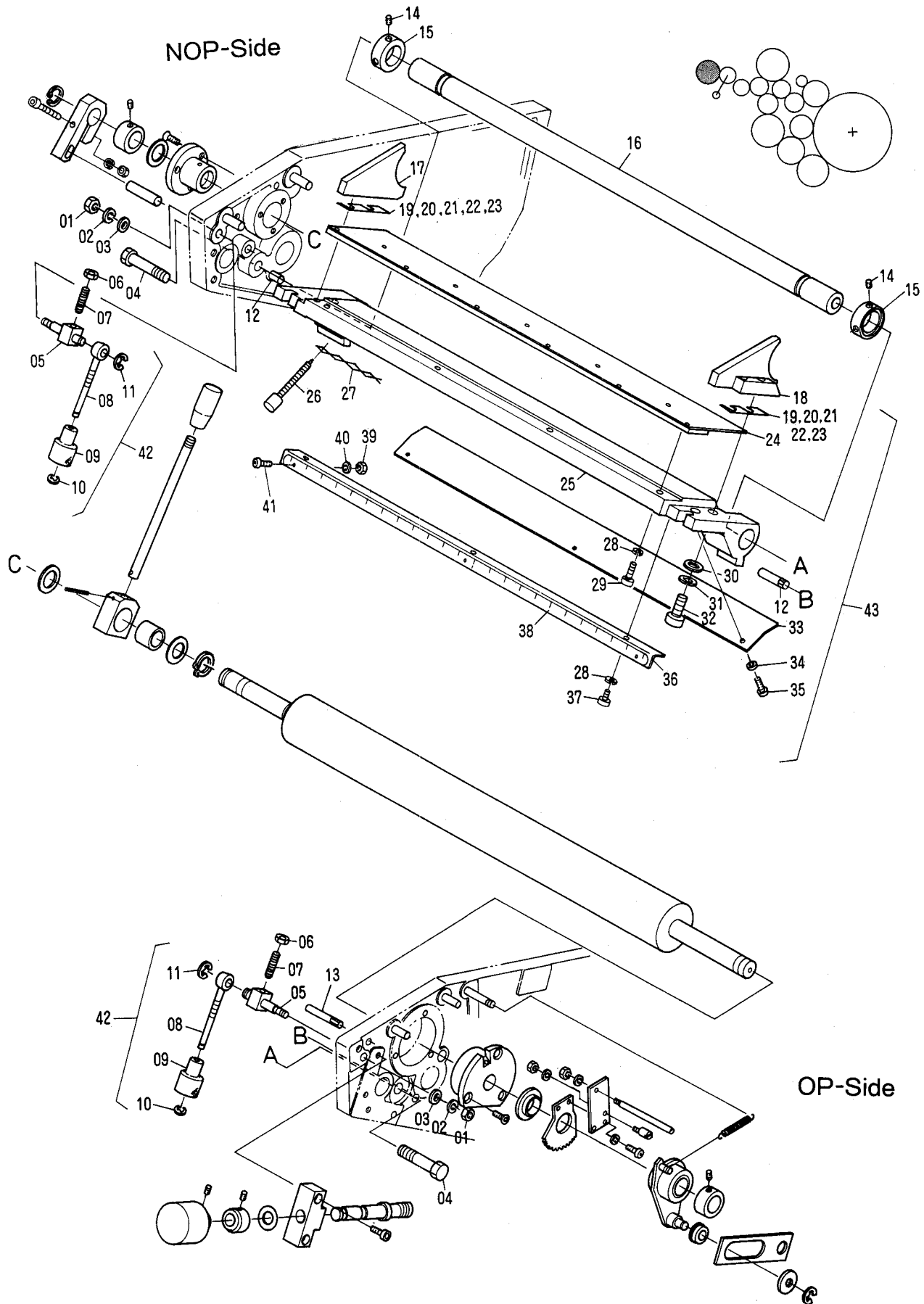
H5002



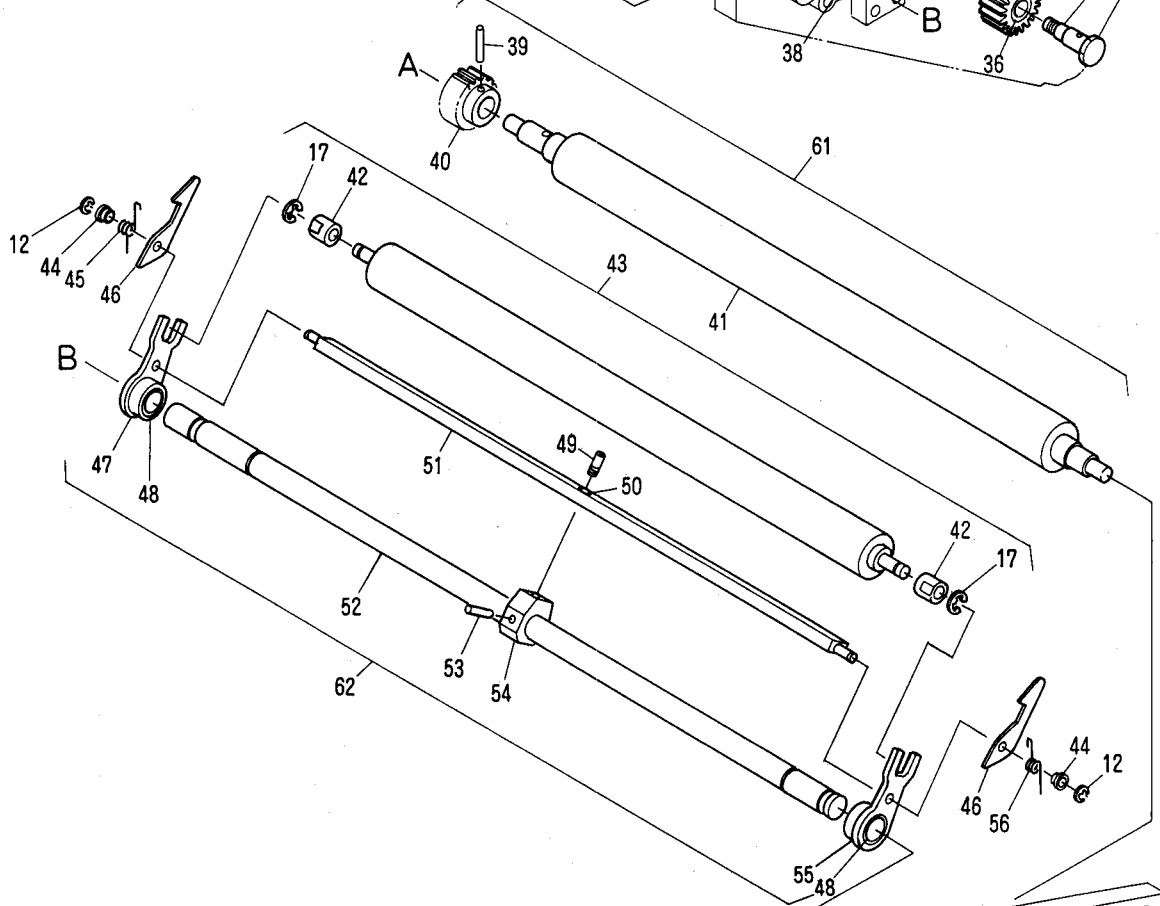
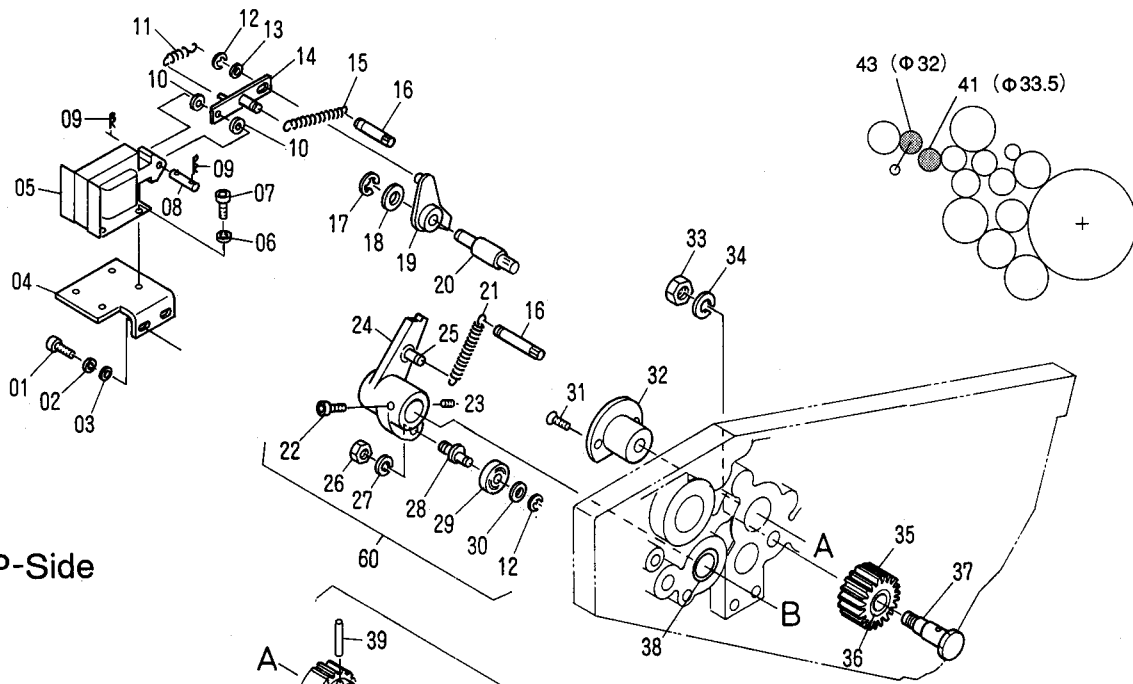
H5003



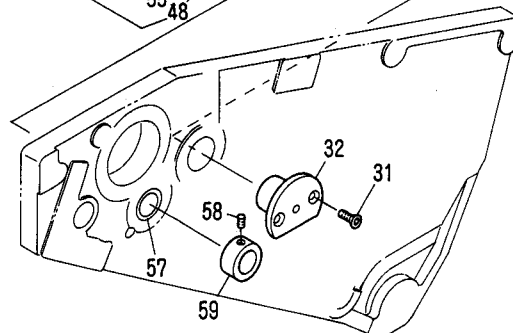
H5004



H5005

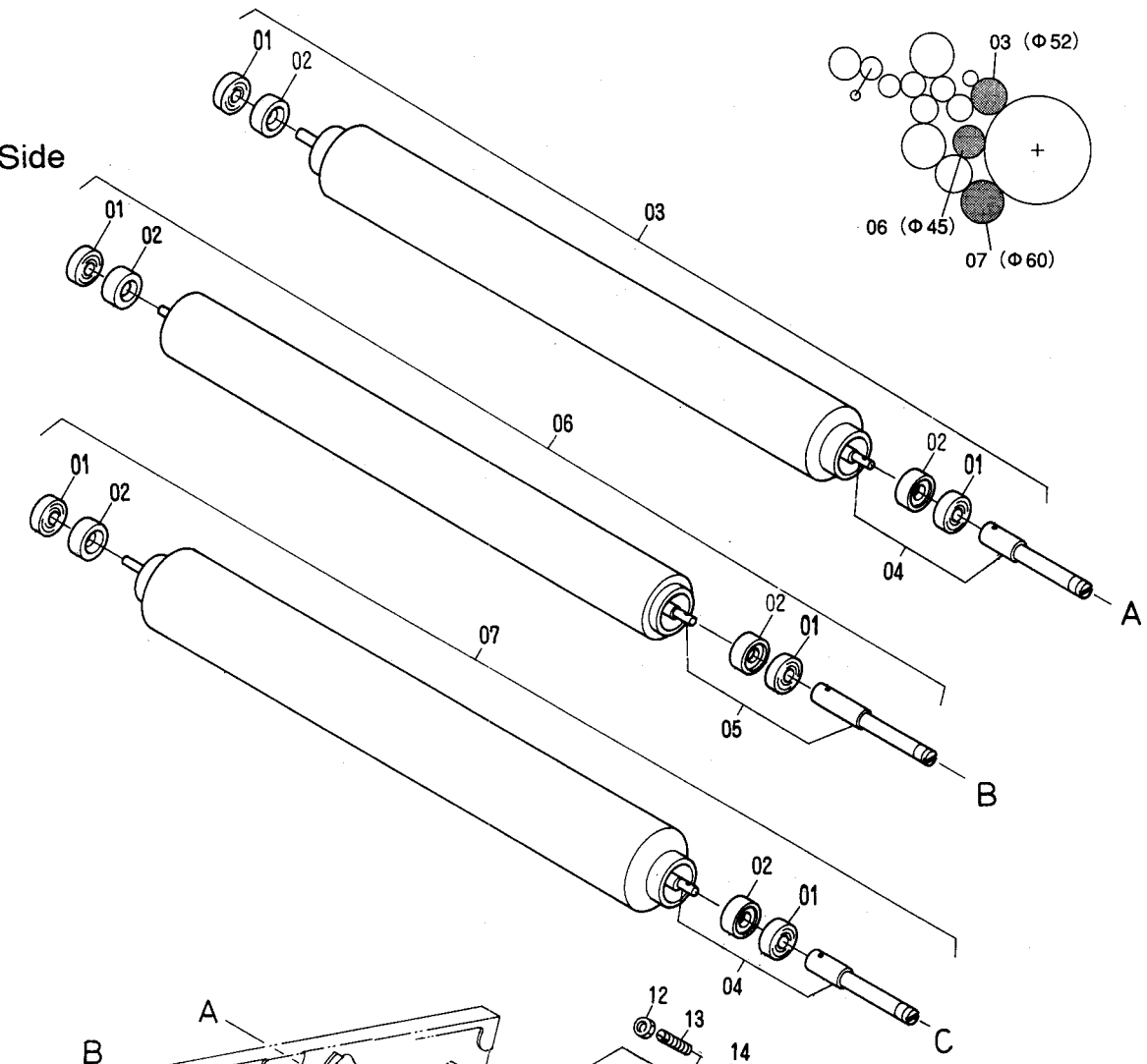


OP-Side

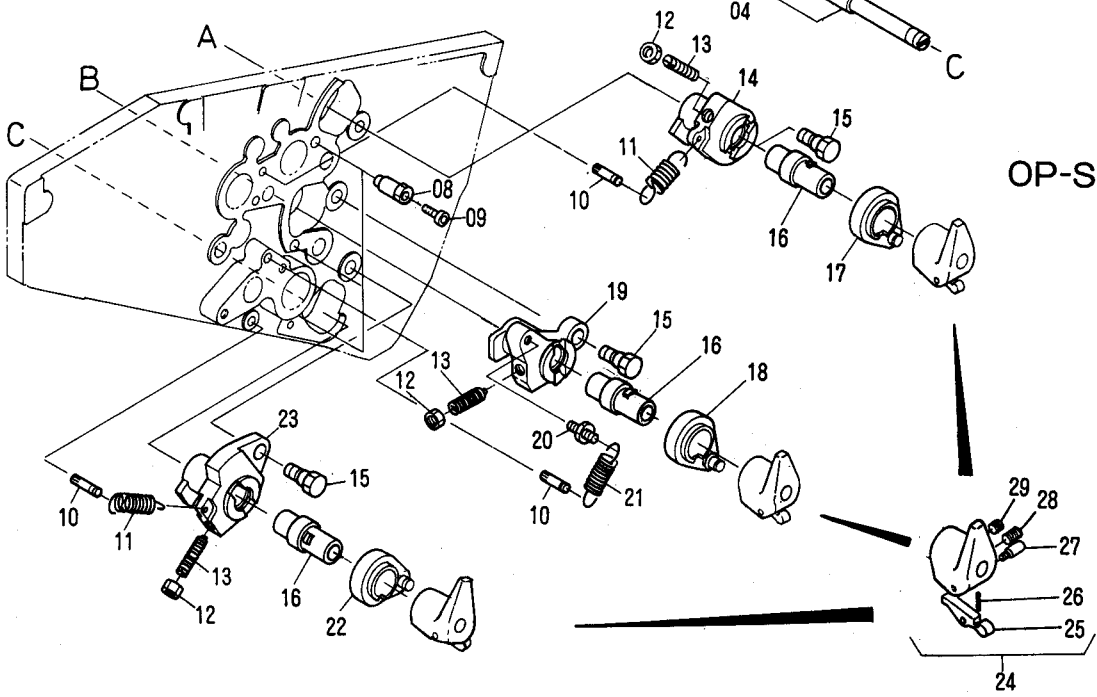


H5006

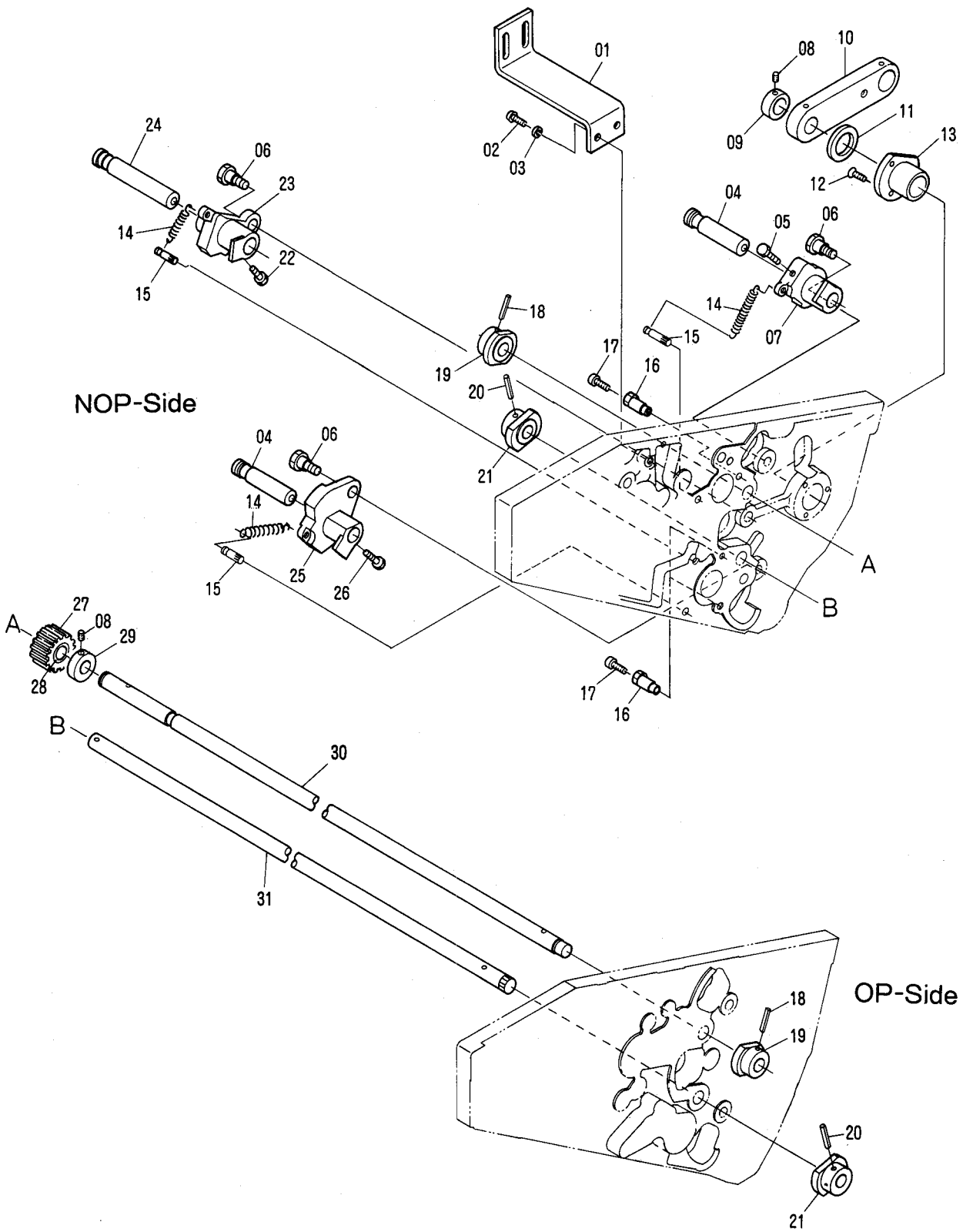
NOP-Side



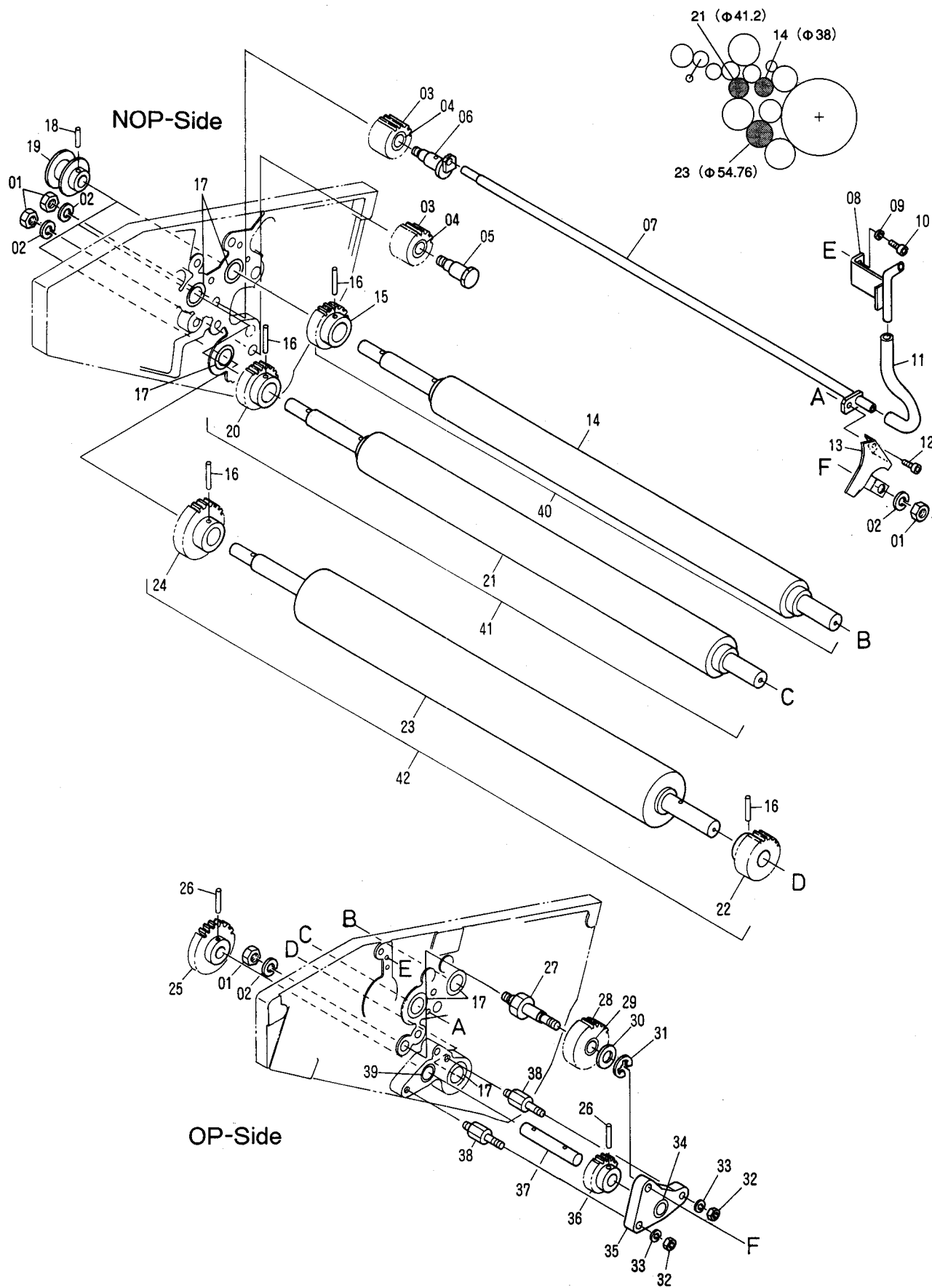
OP-Side



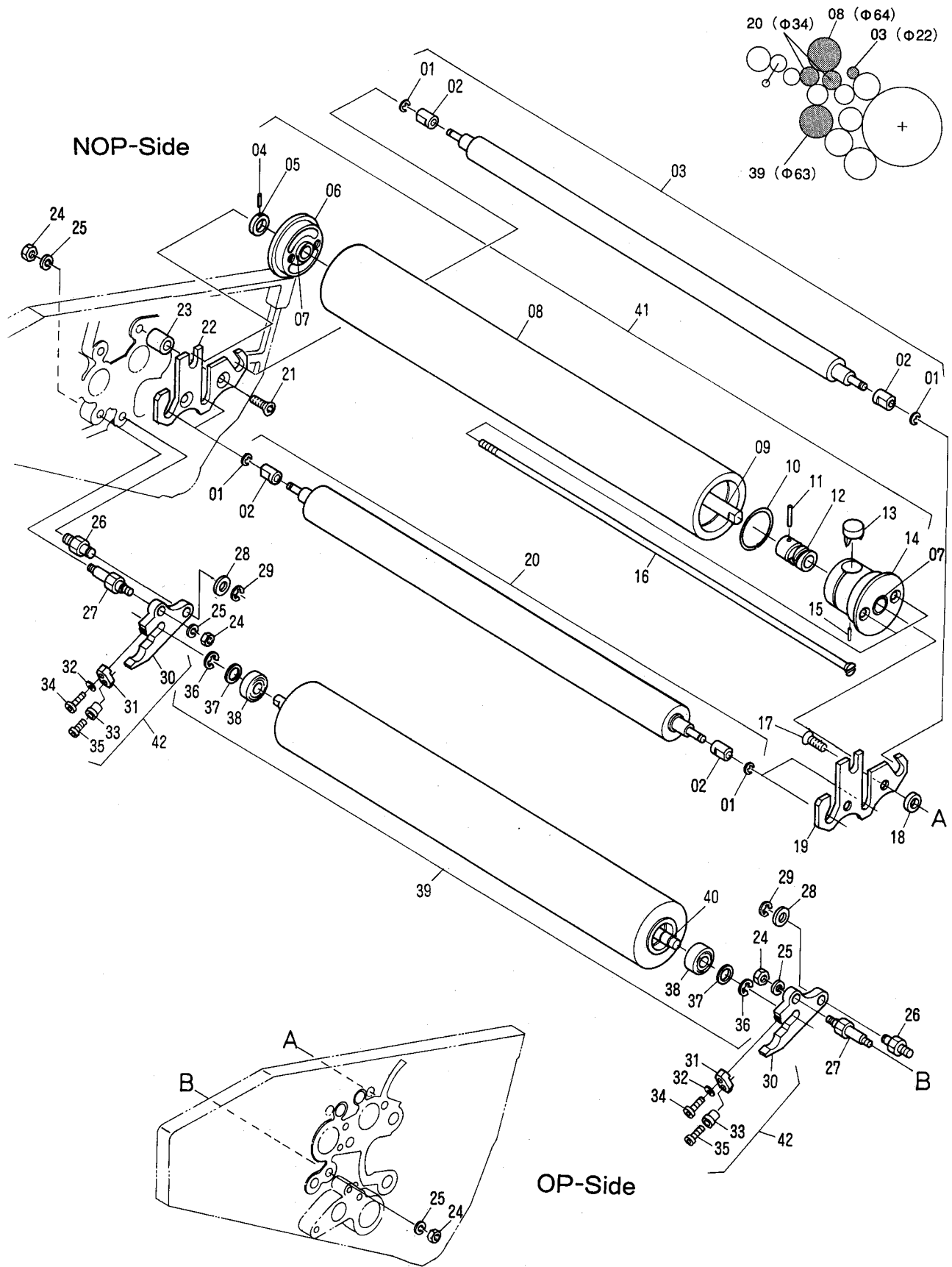
H5007



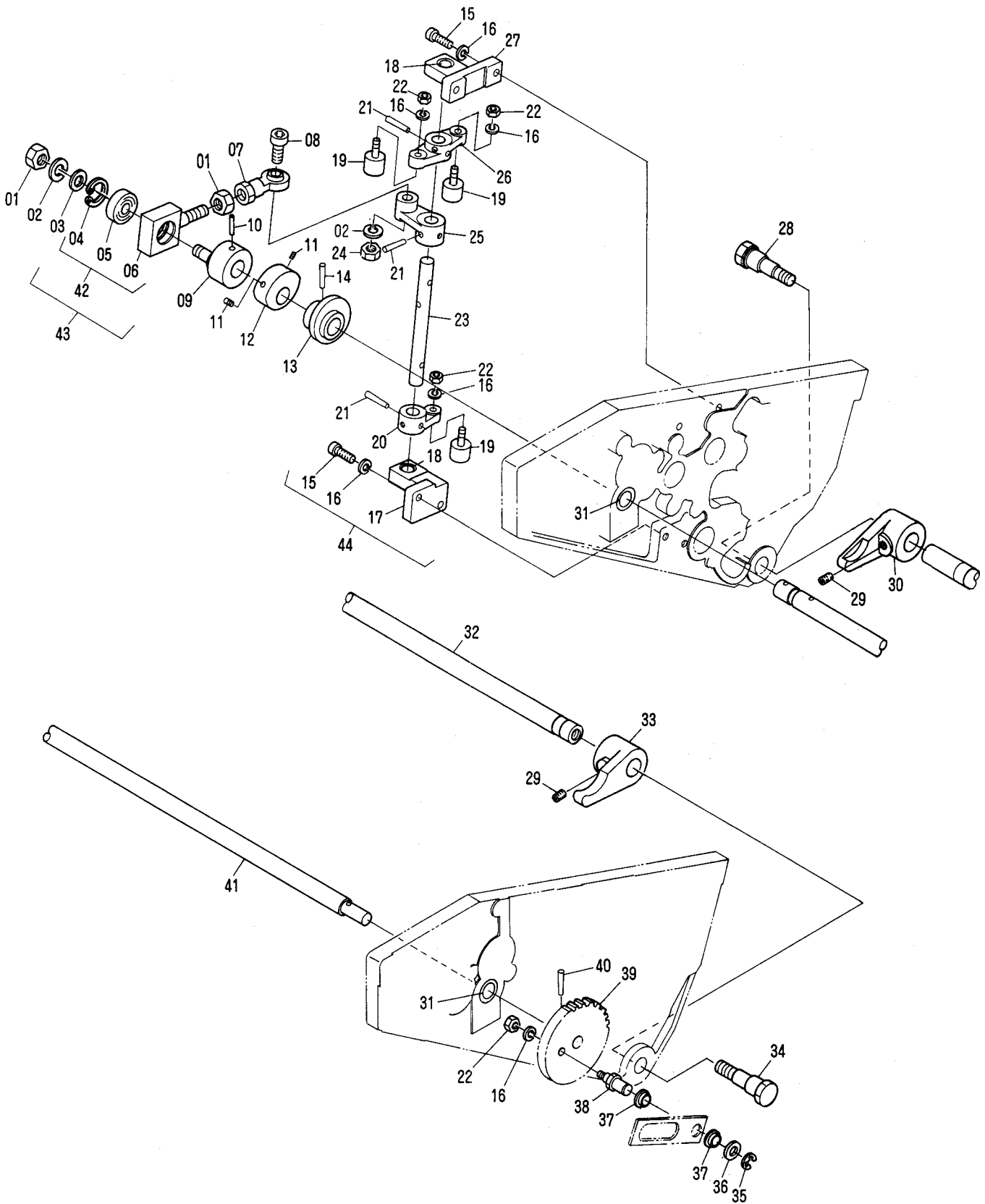
H5008



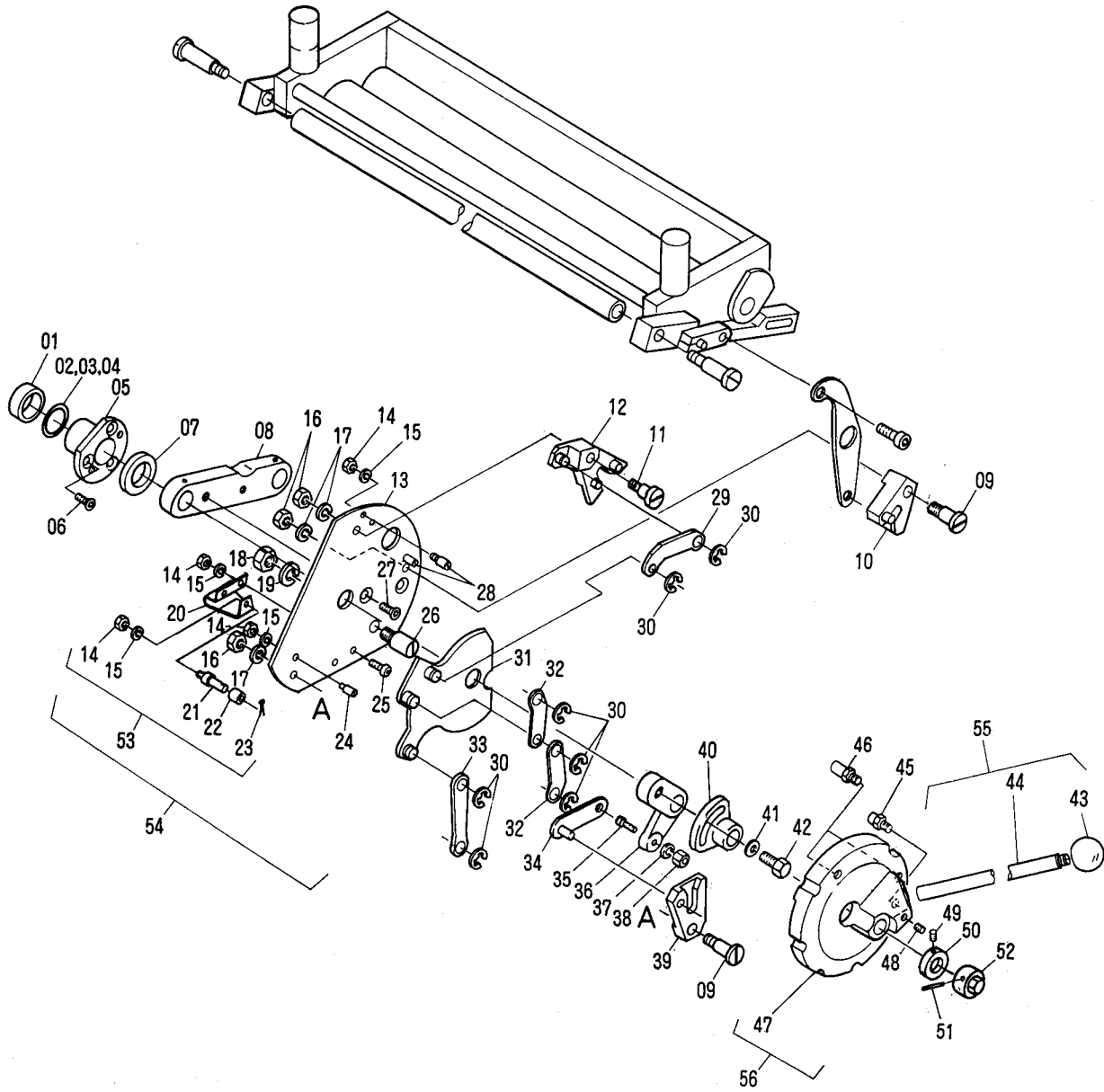
H5009



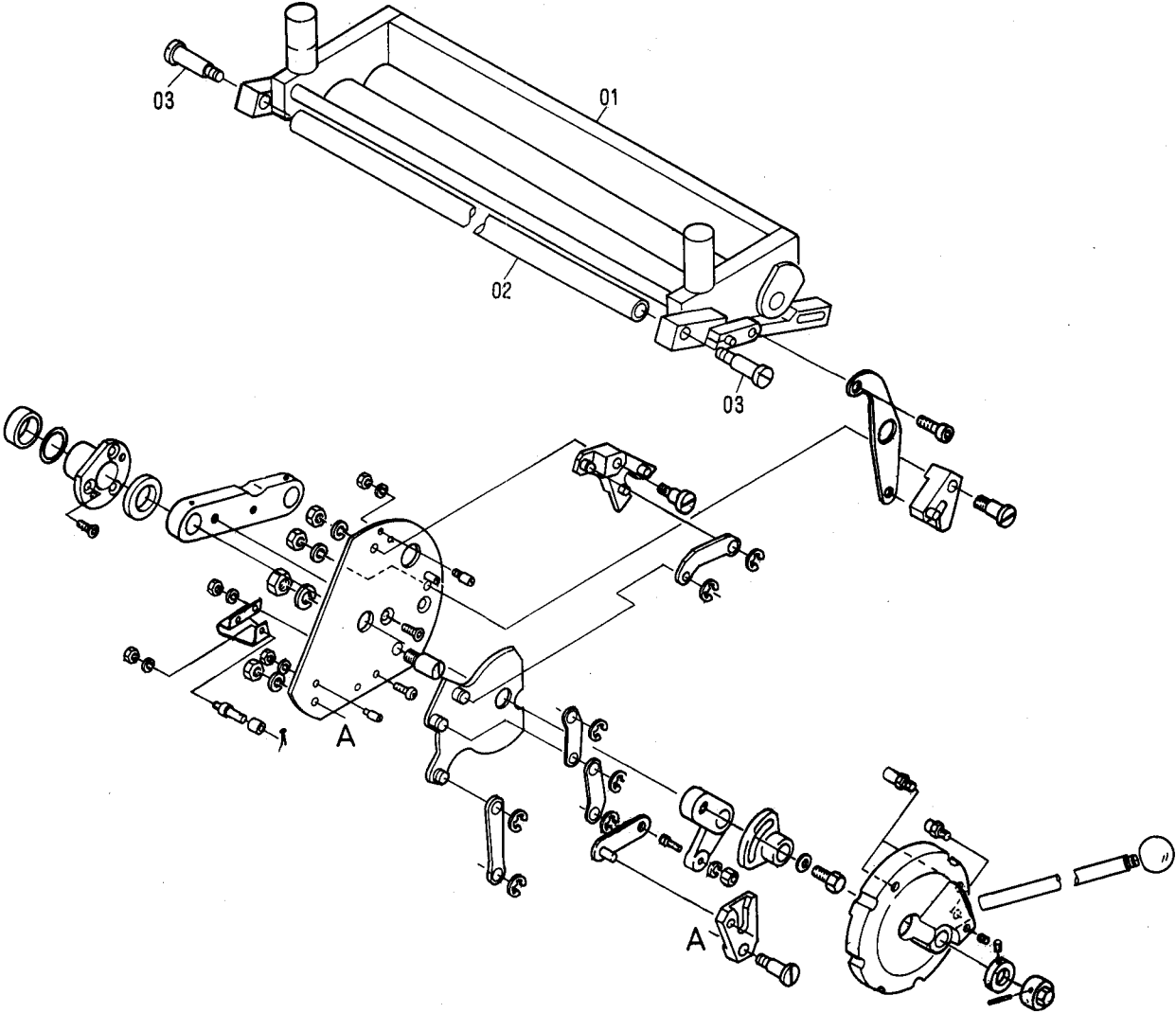
H5010



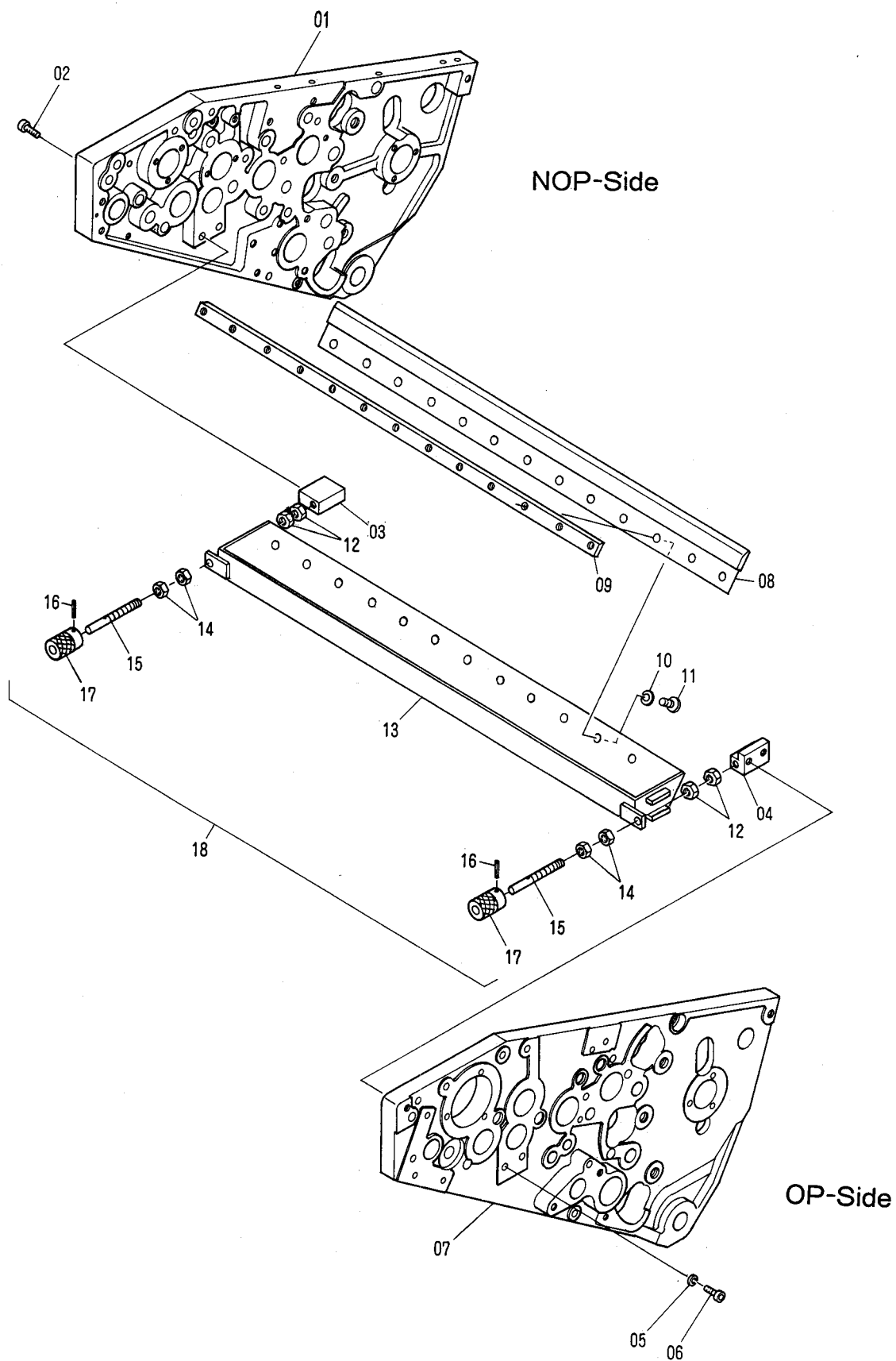
H5011



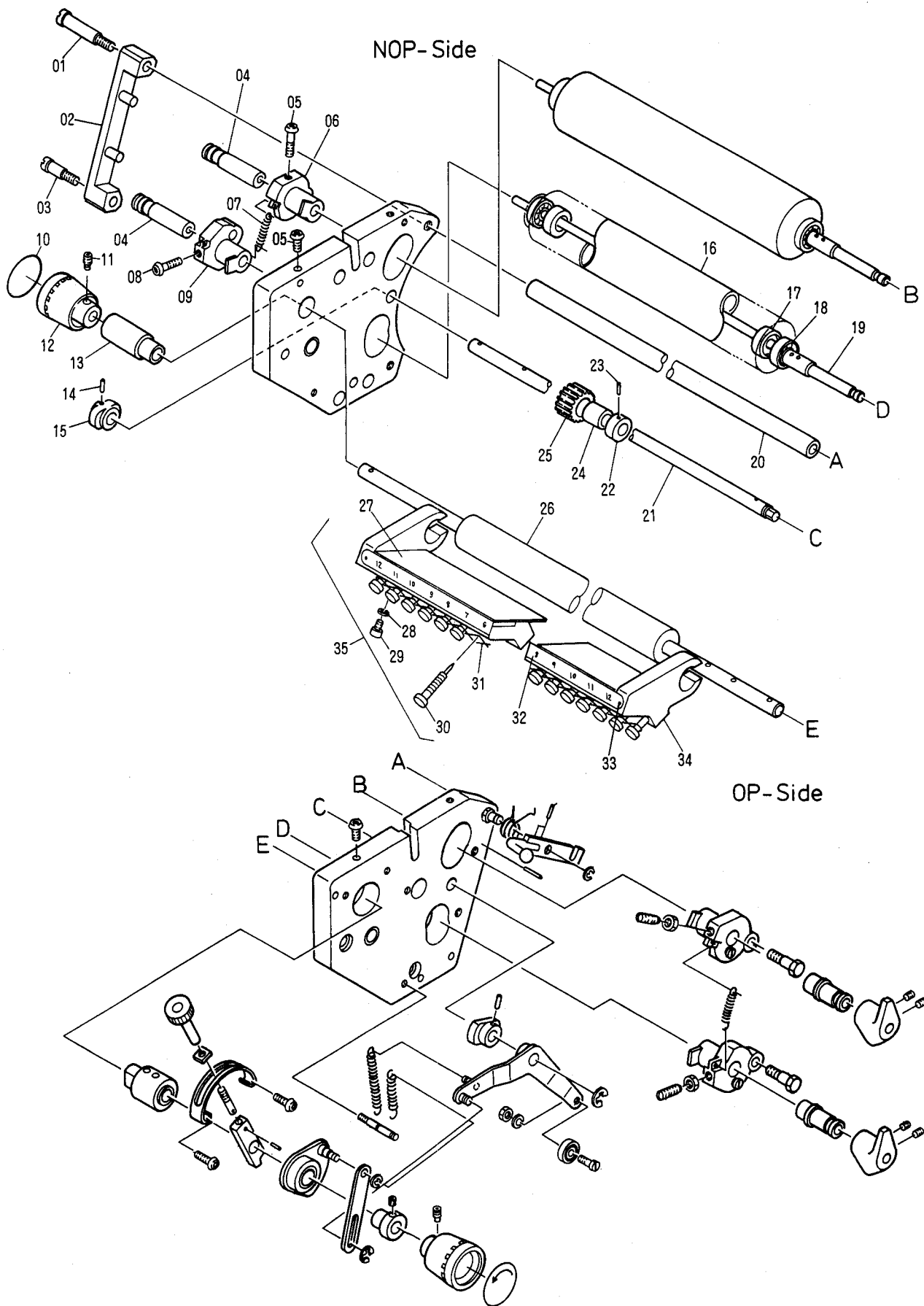
H5012



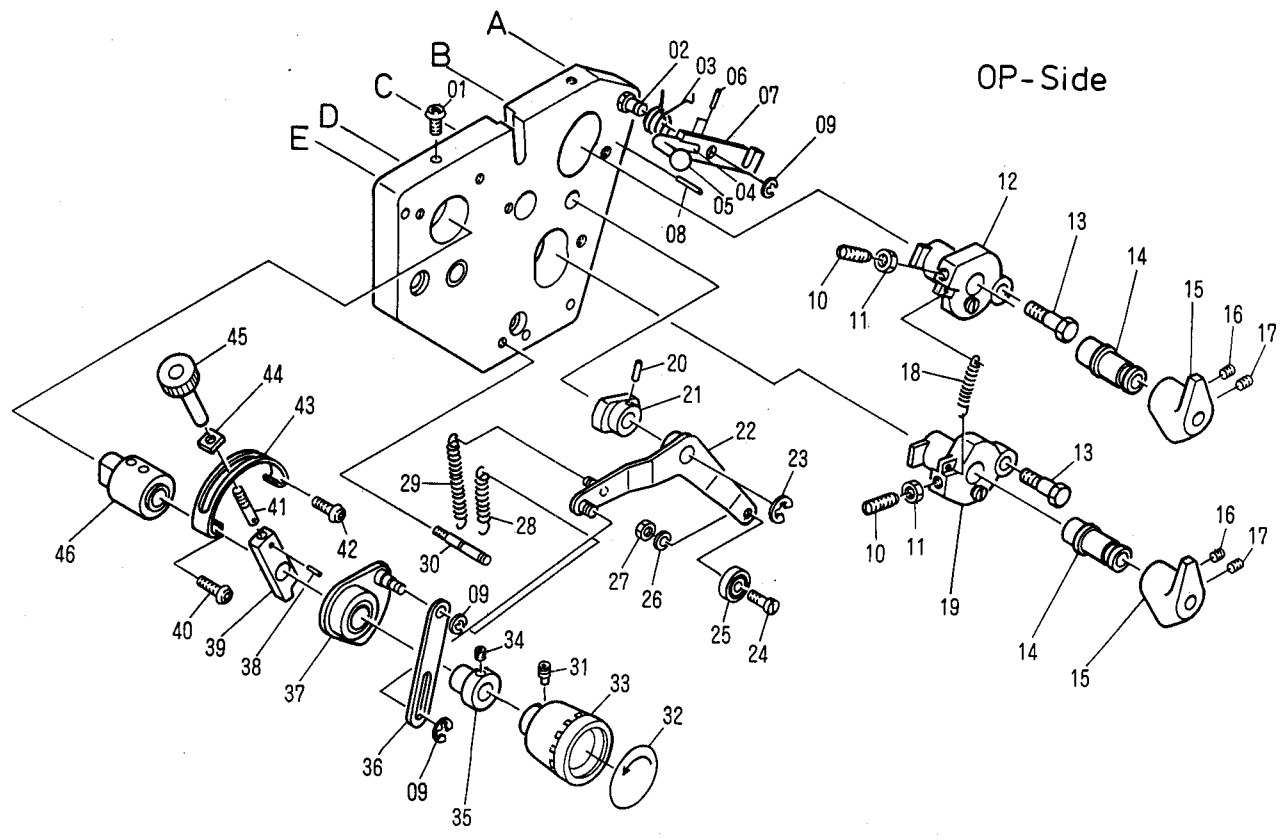
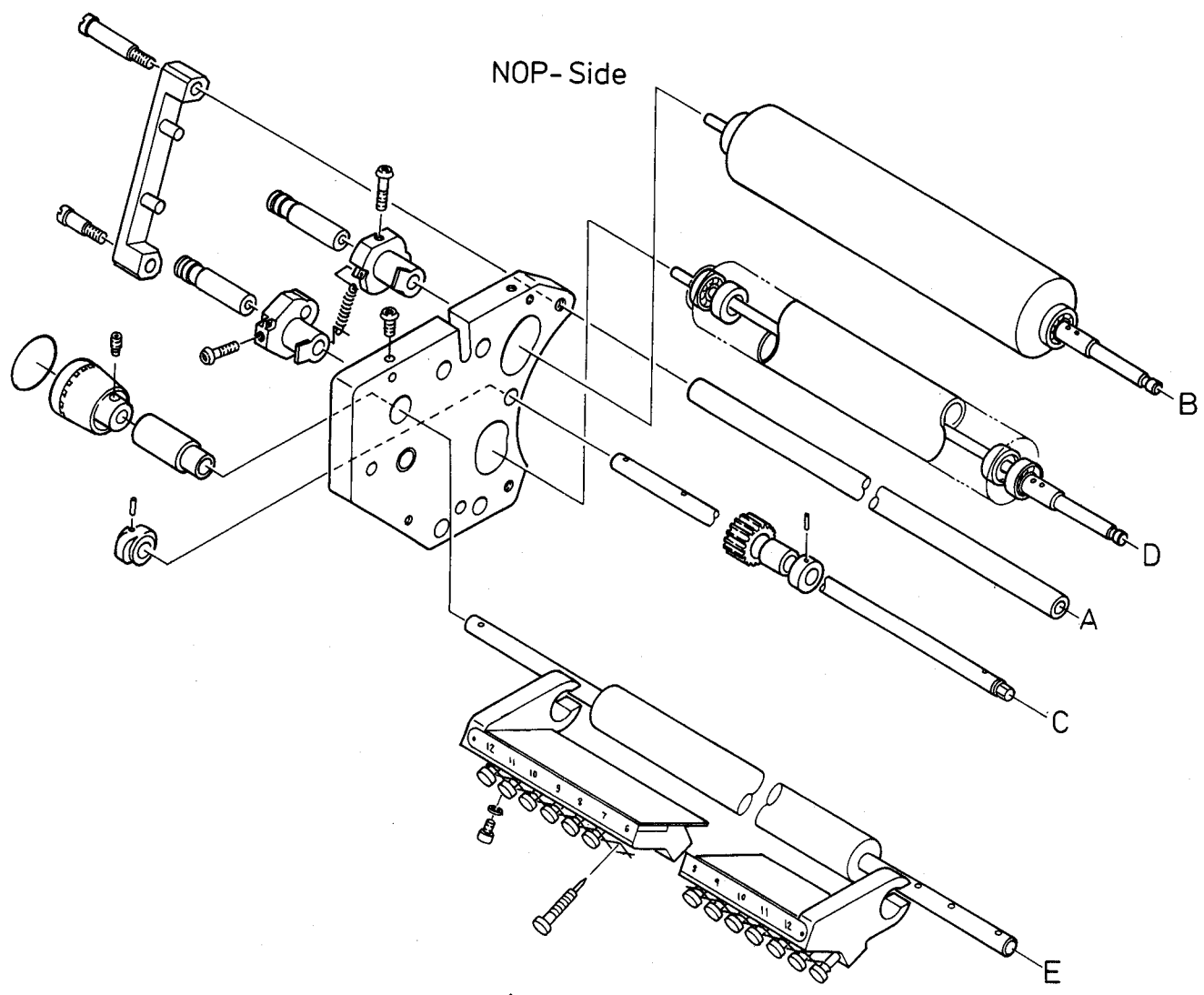
H5013



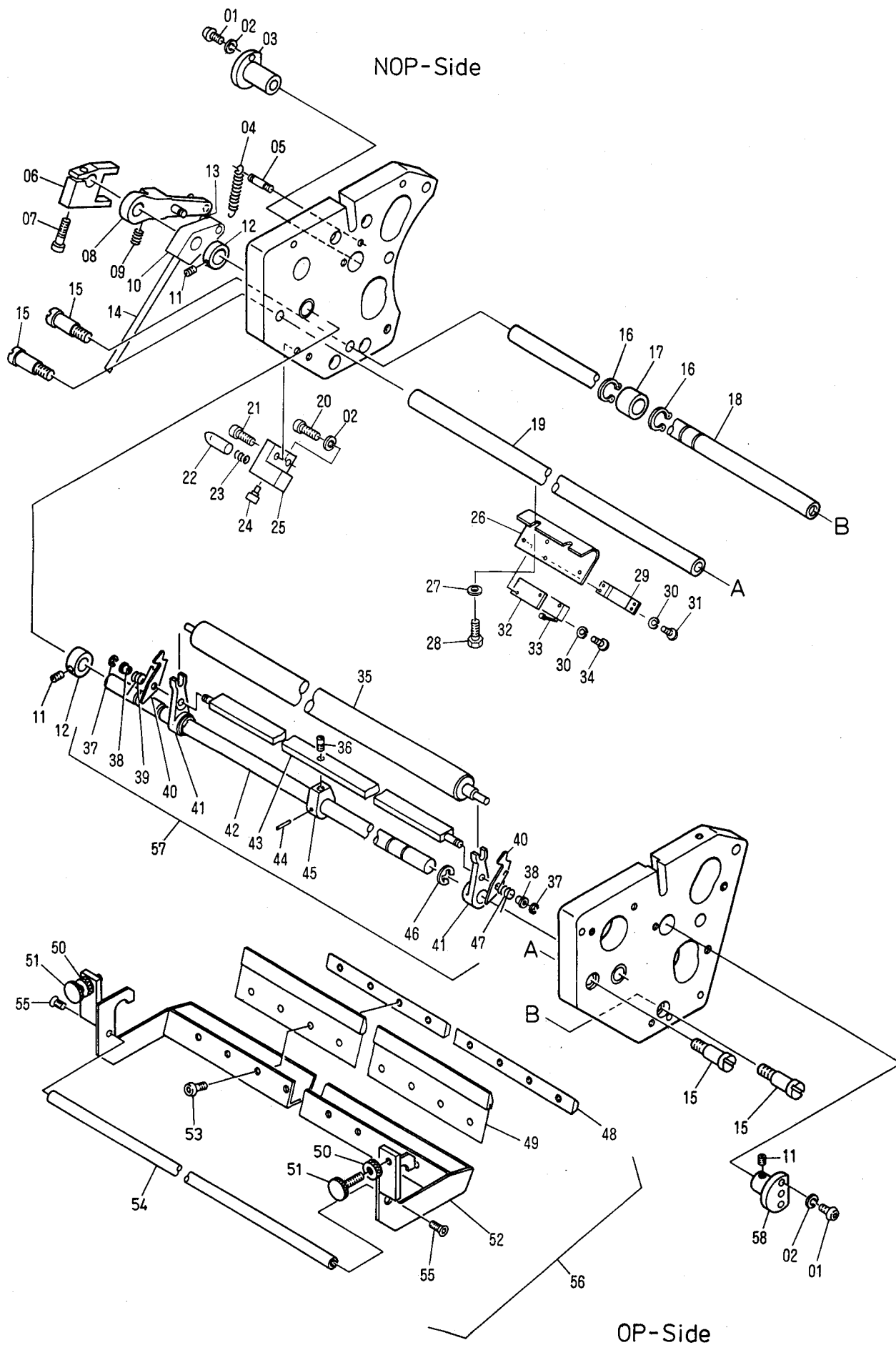
H5014



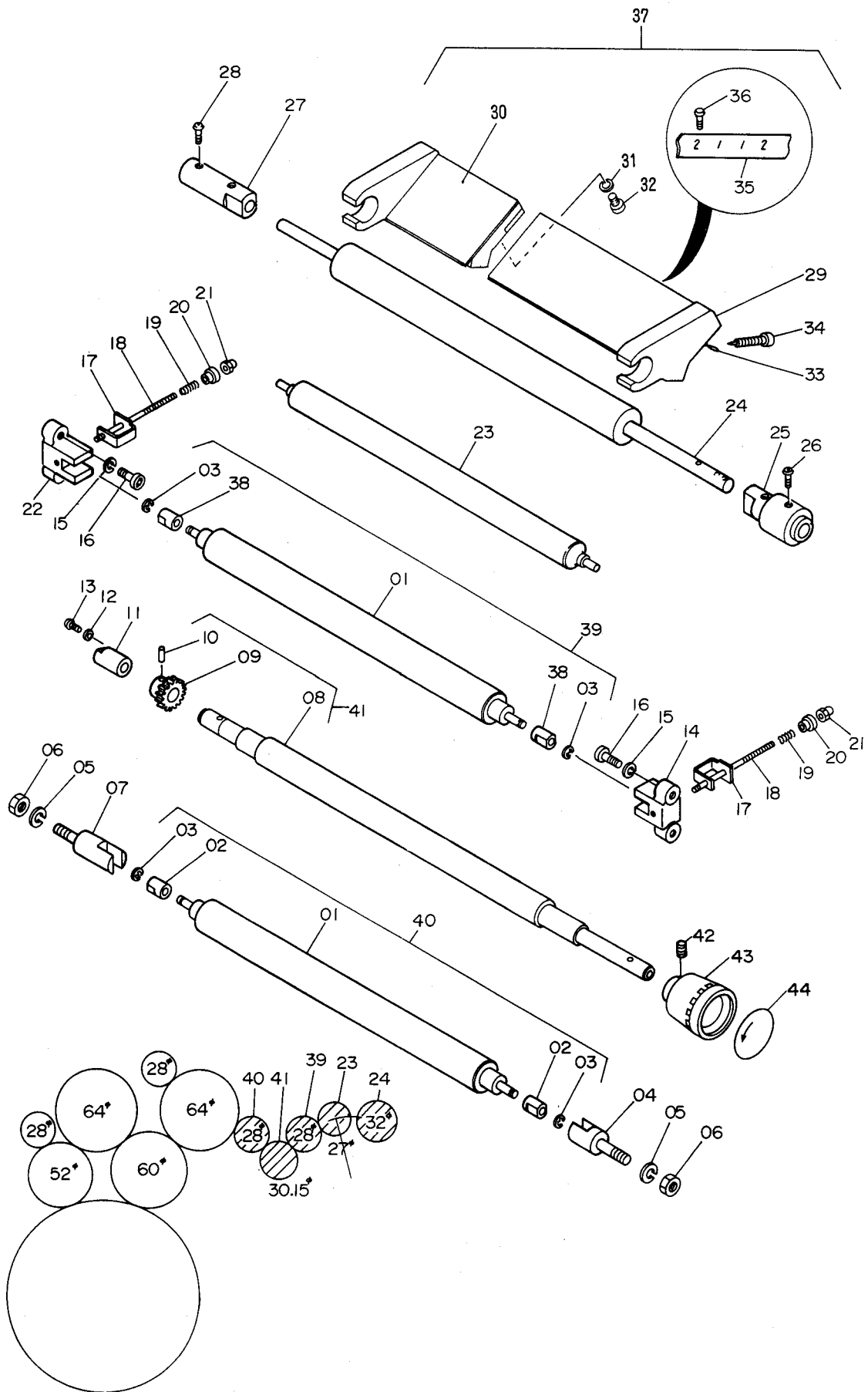
H5015



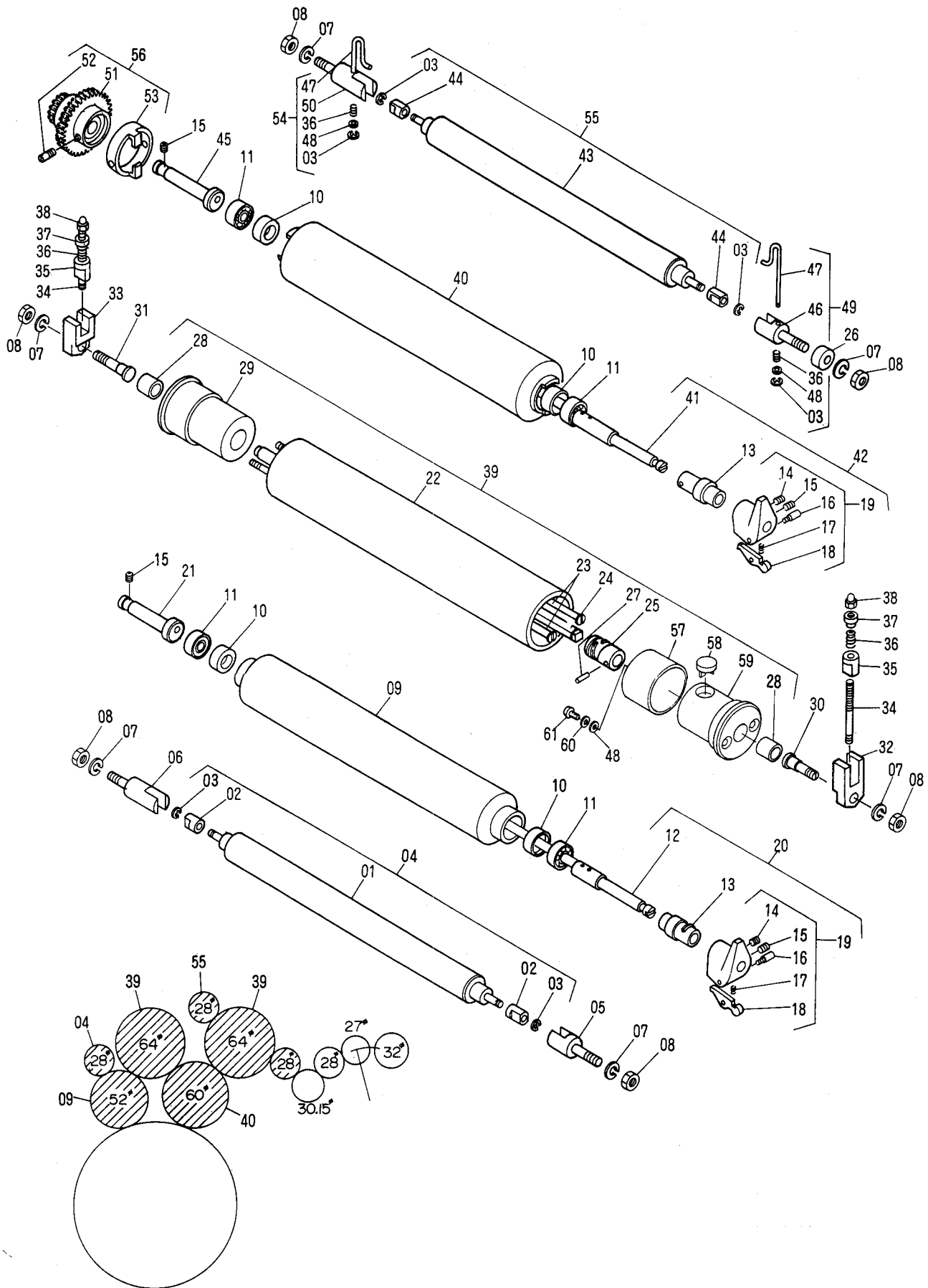
H5016



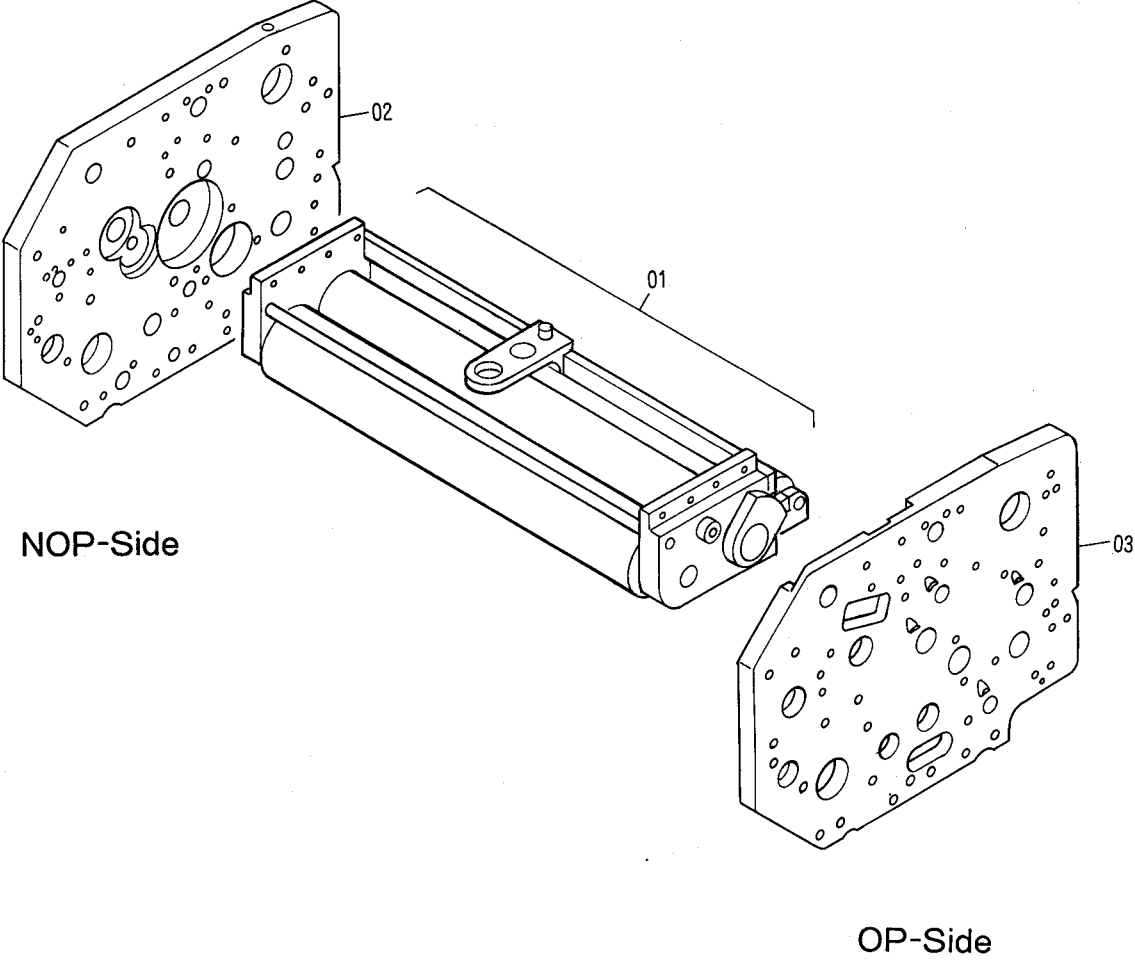
H5017



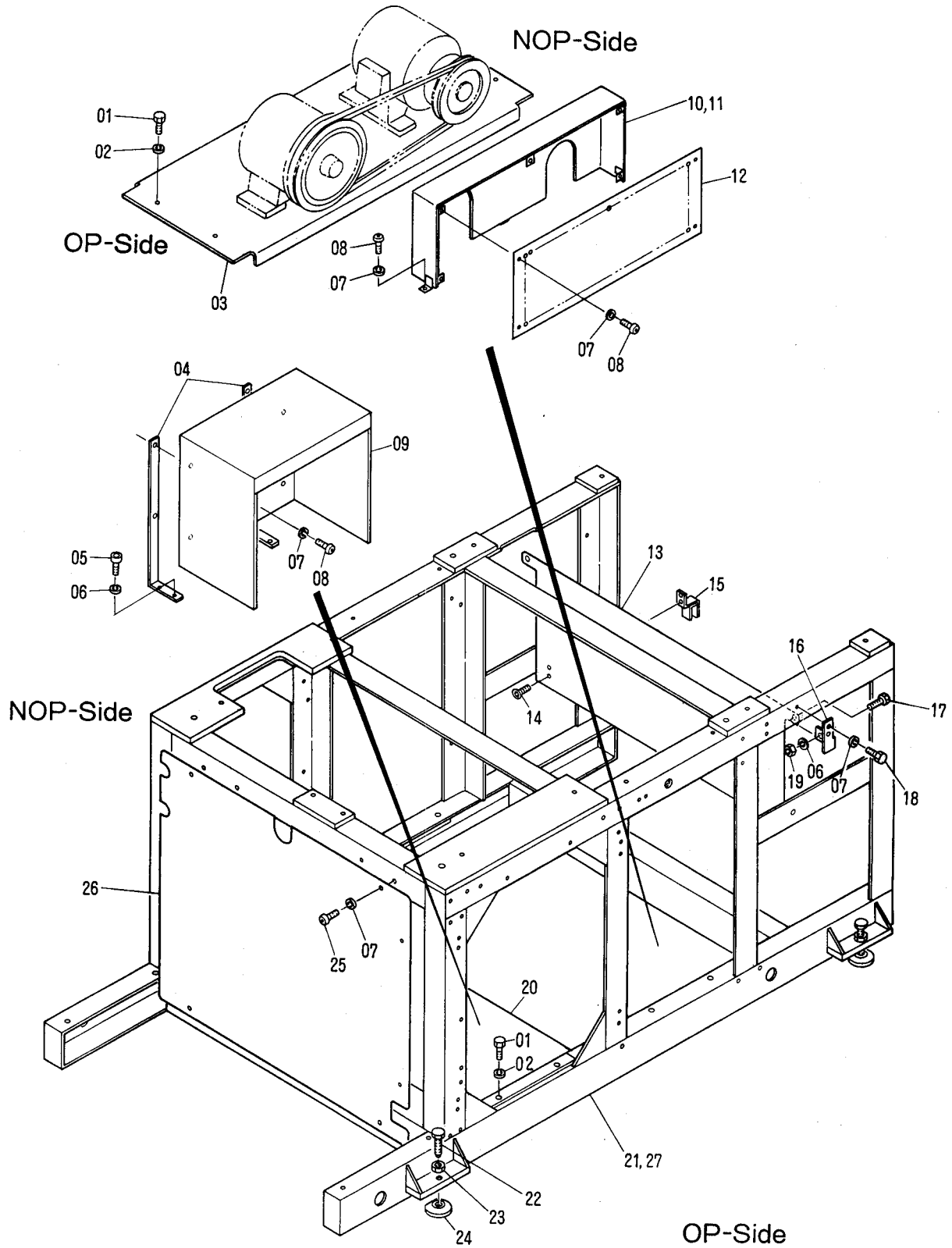
H5018



H5019

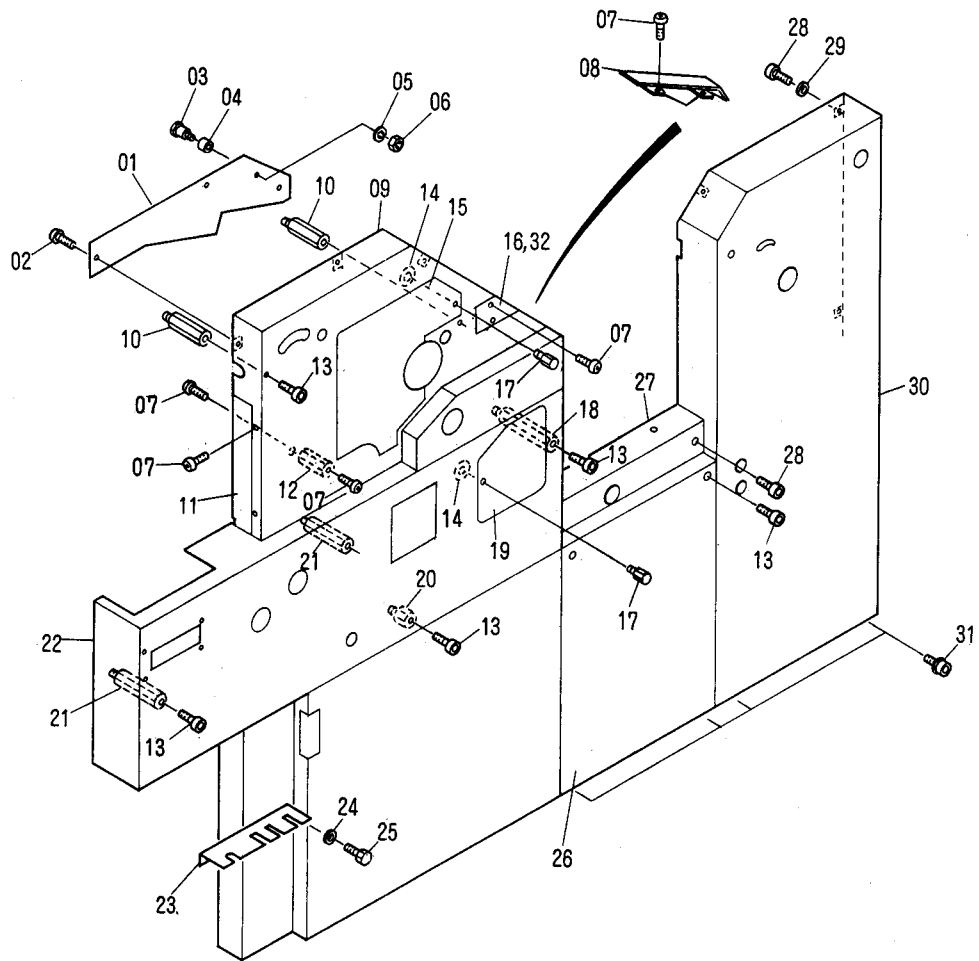


H5020

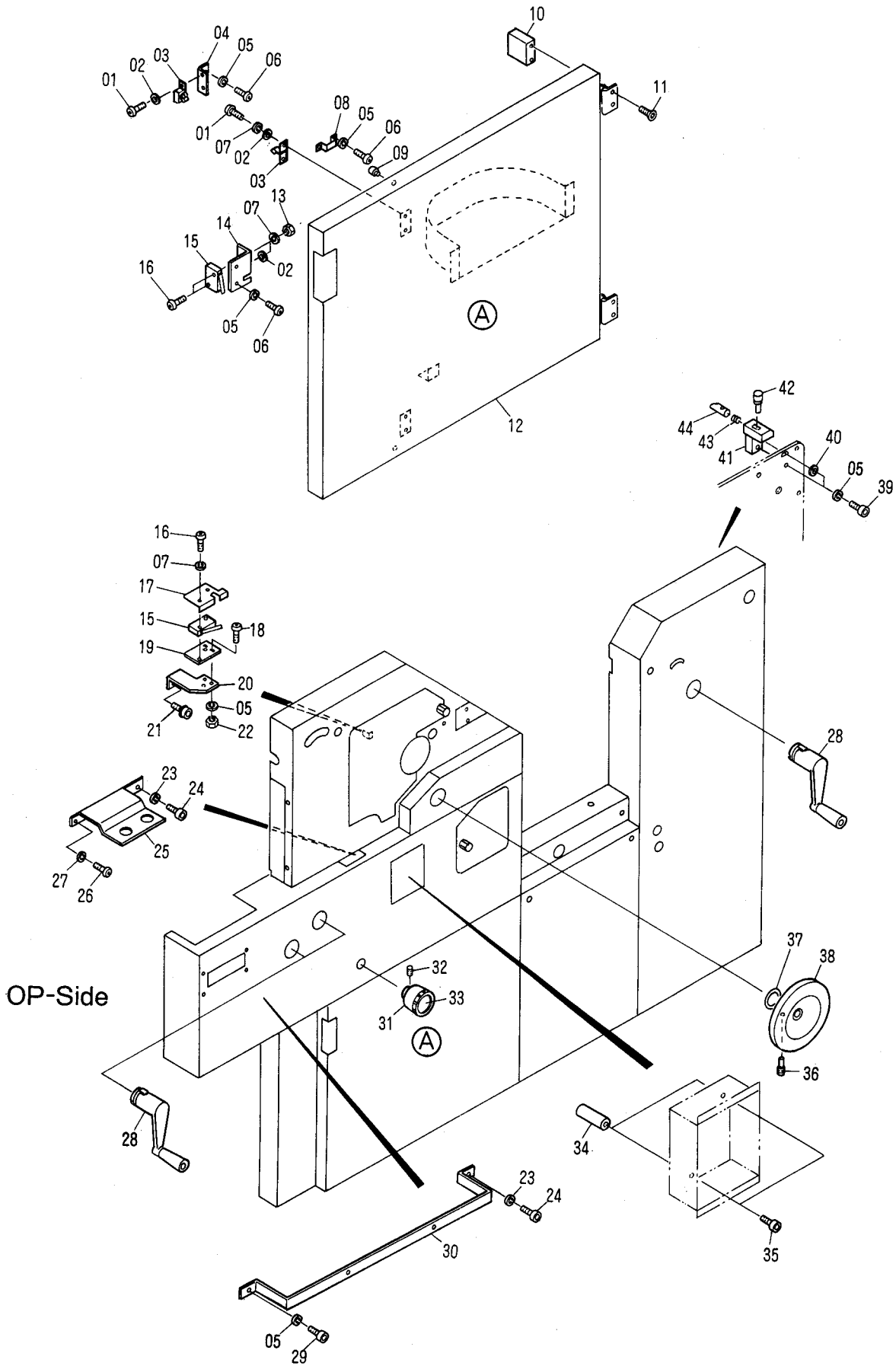


H5021

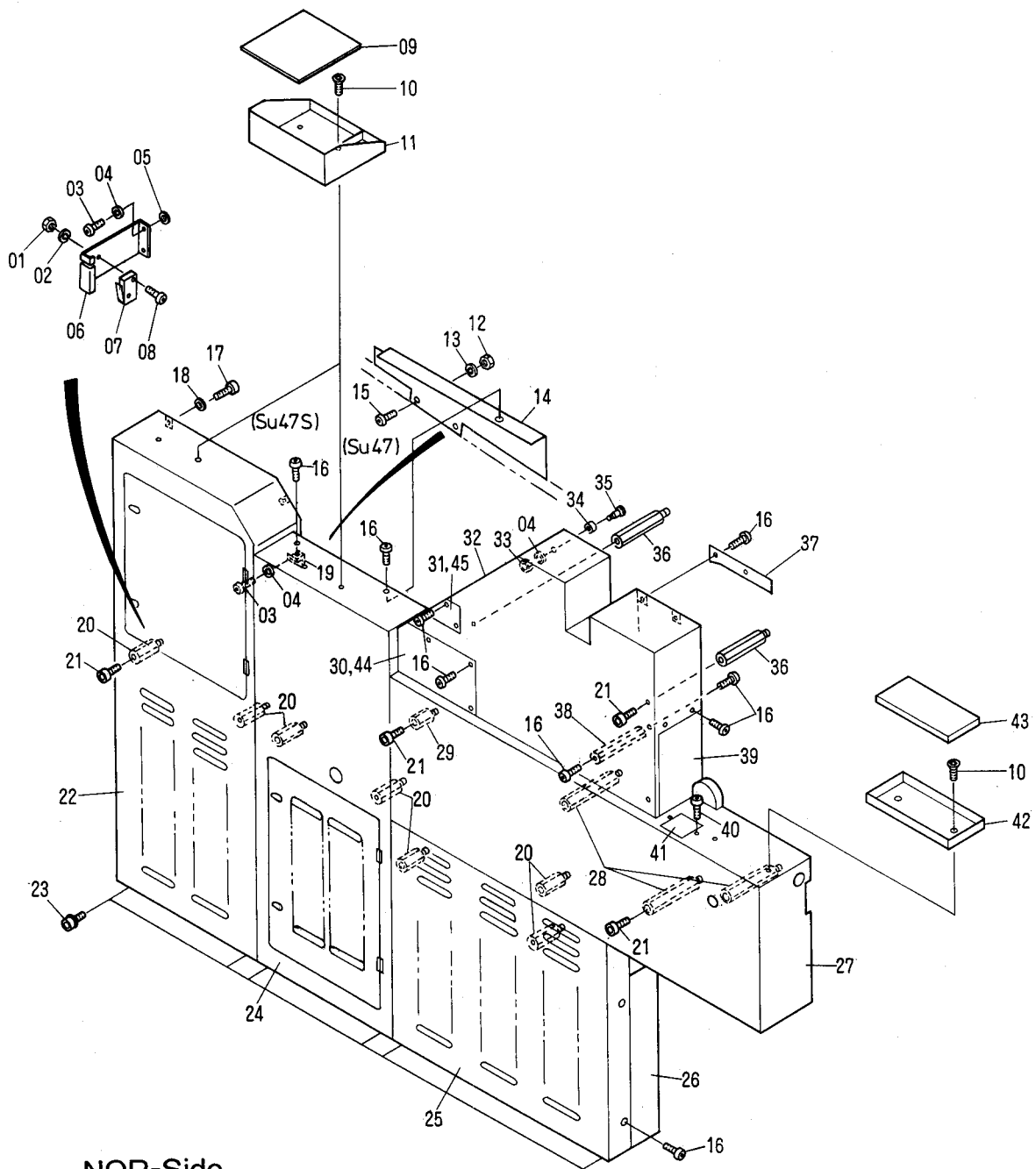
OP-Side



H5022



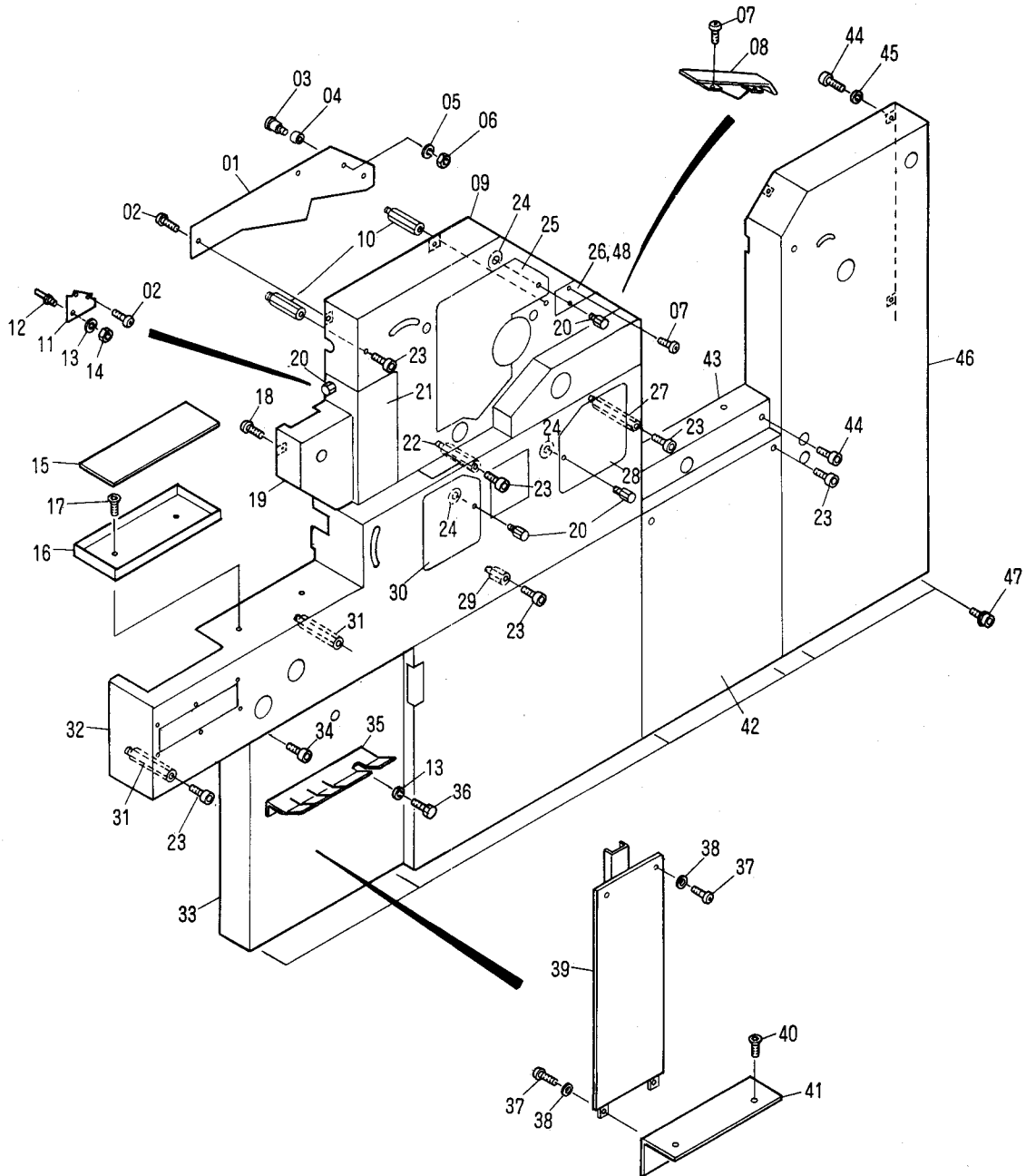
H5023



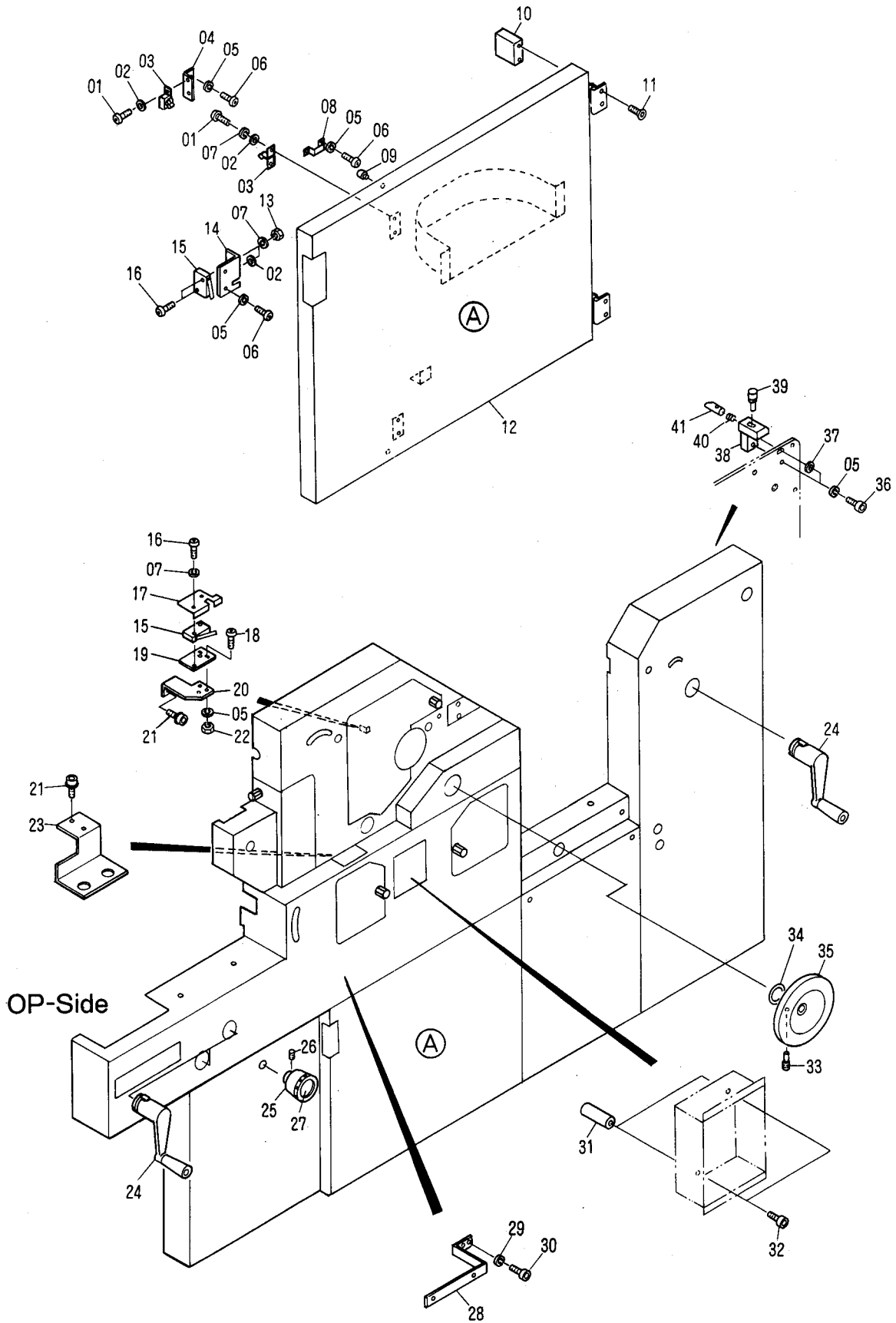
NOP-Side

H5024

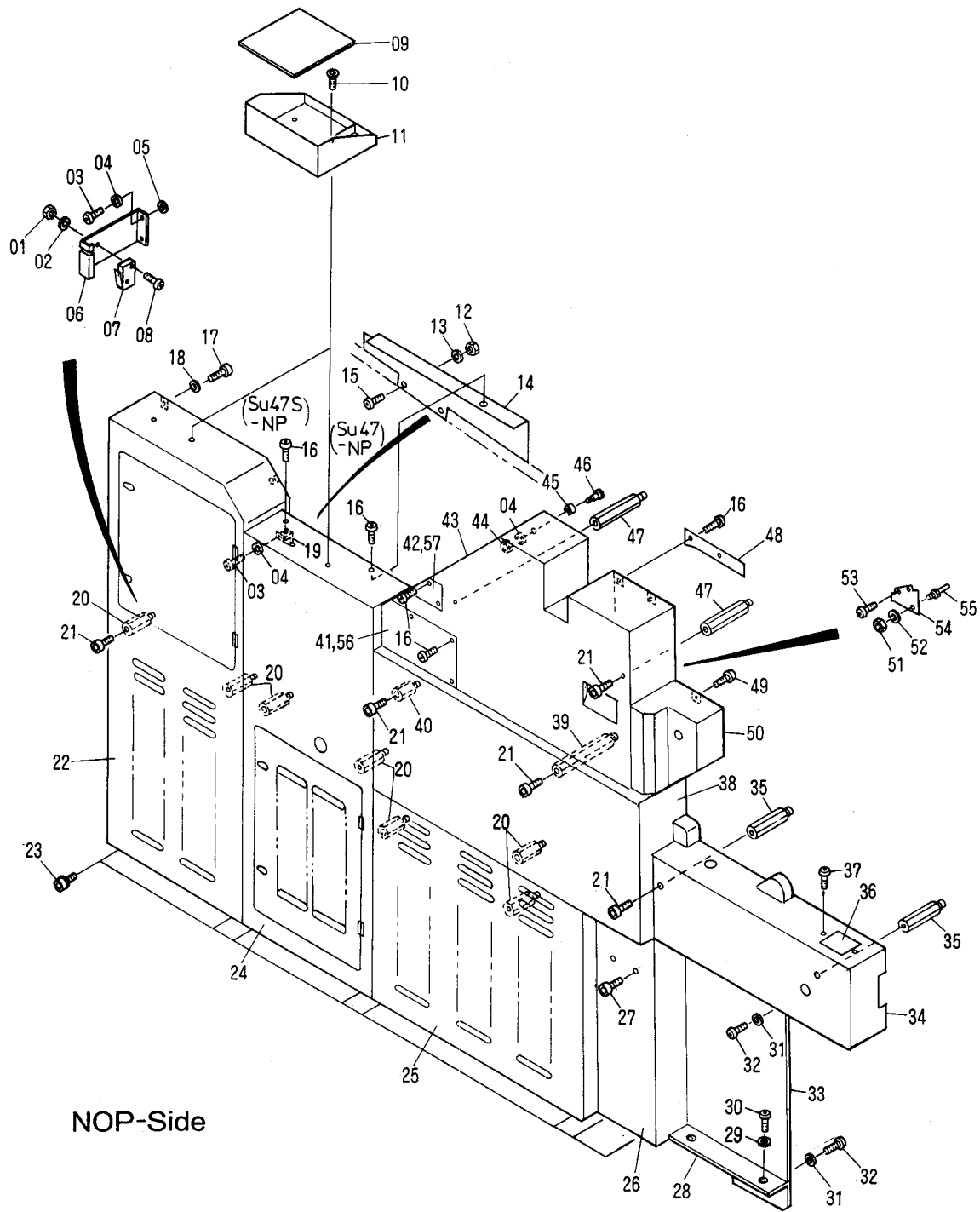
OP-Side



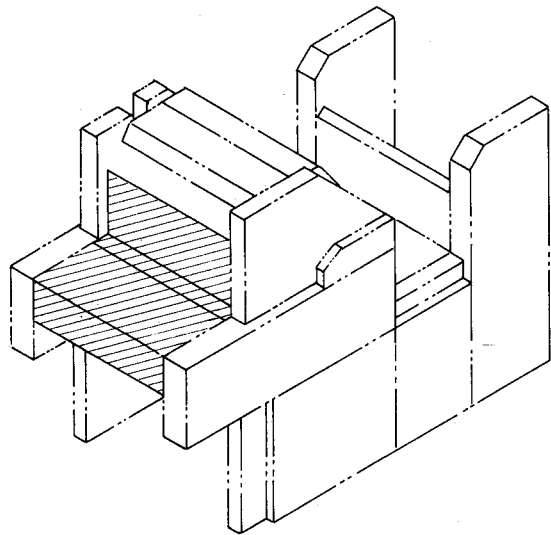
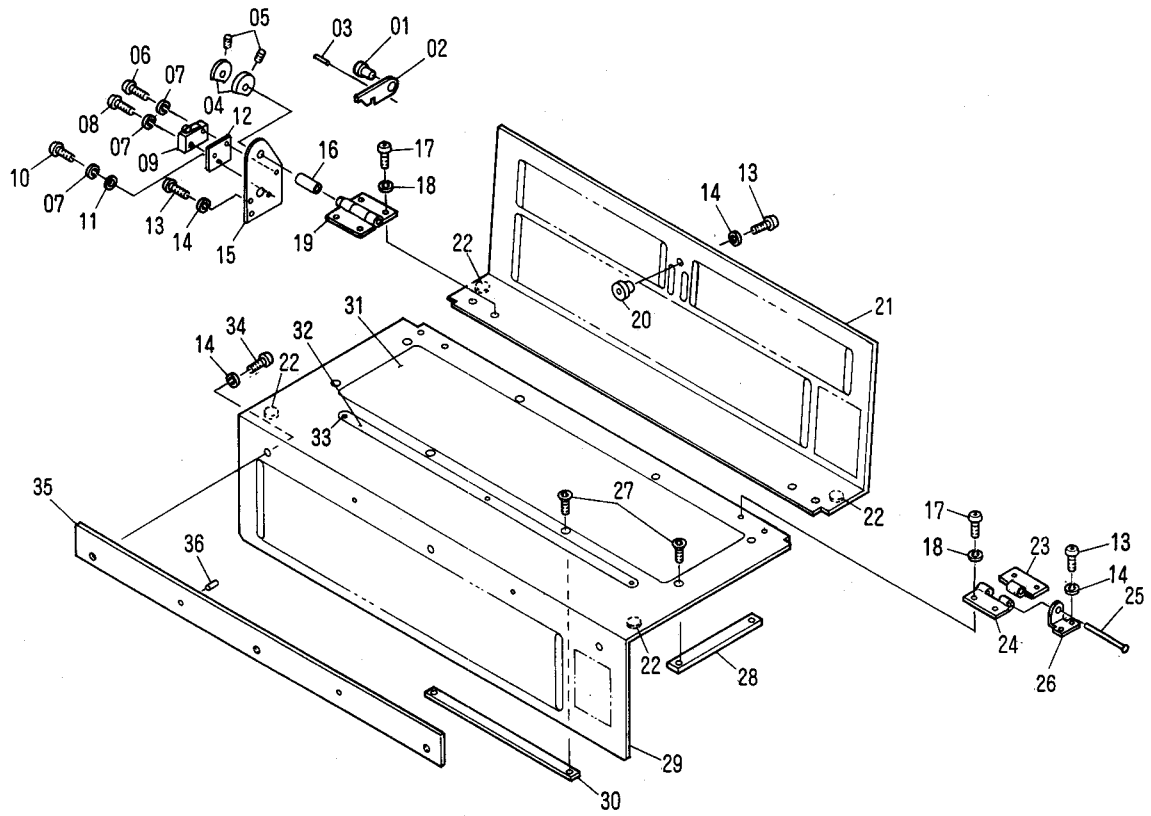
H5025



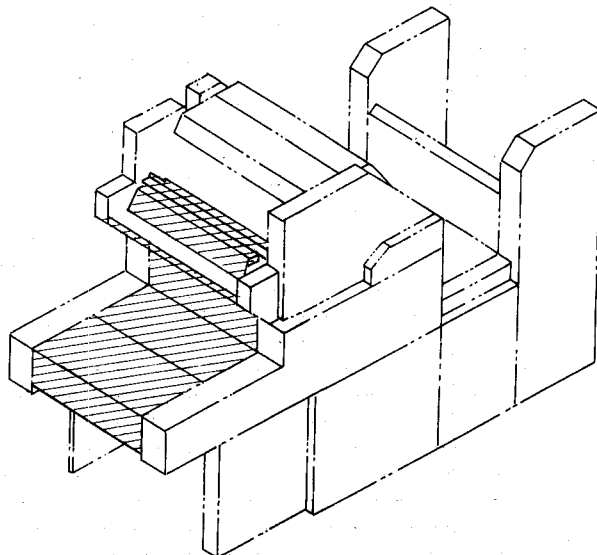
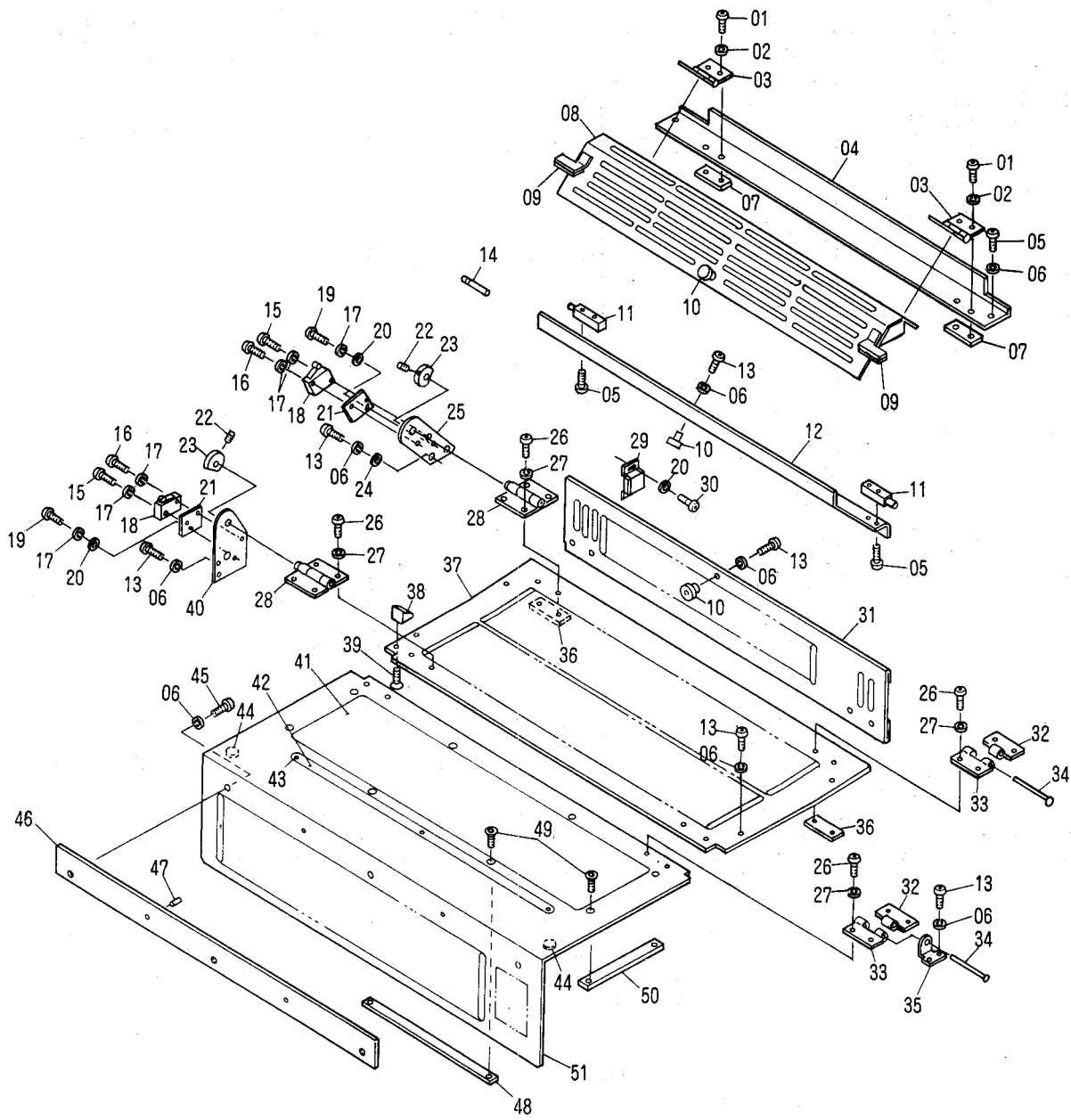
H5026



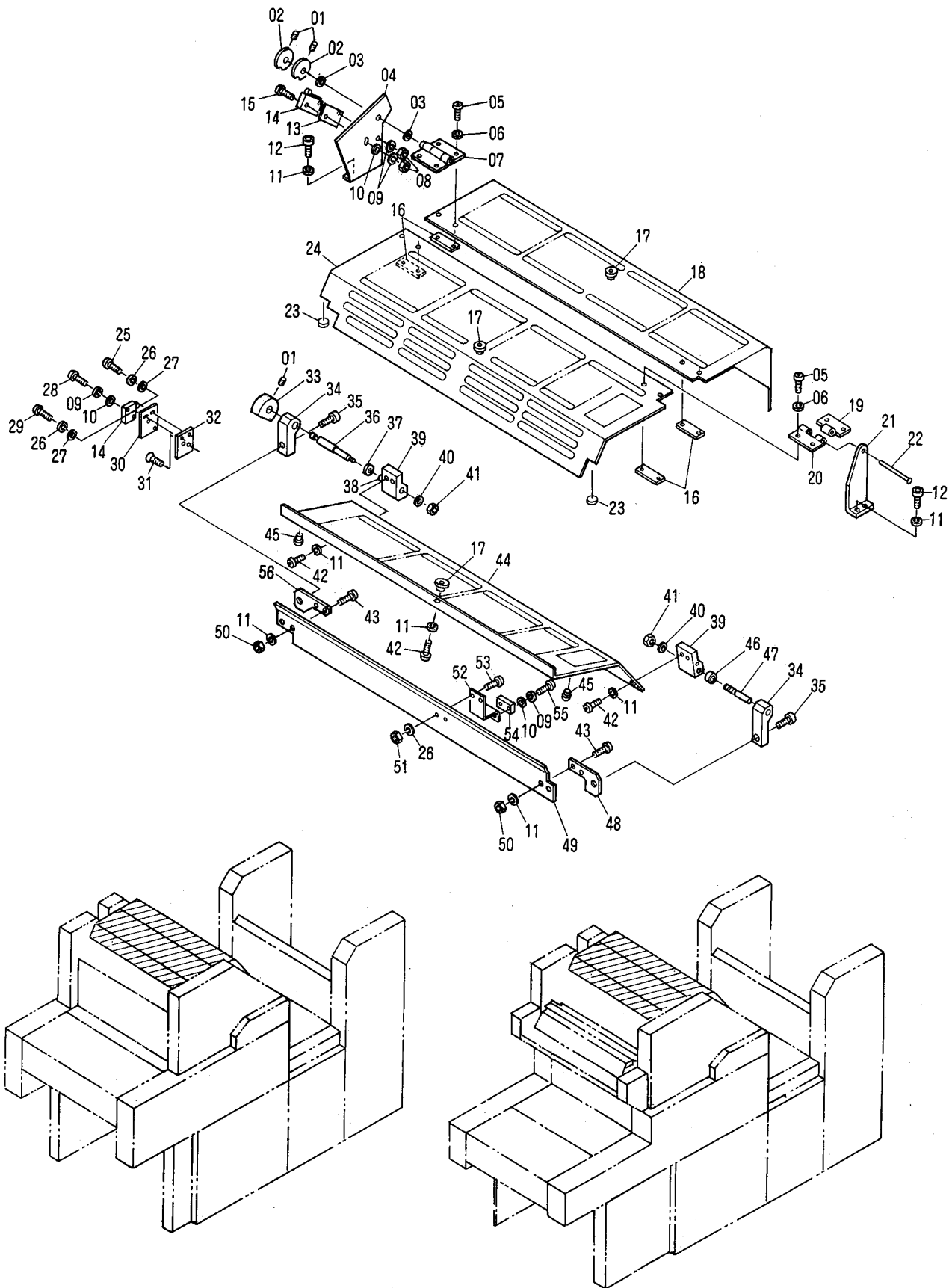
H5027



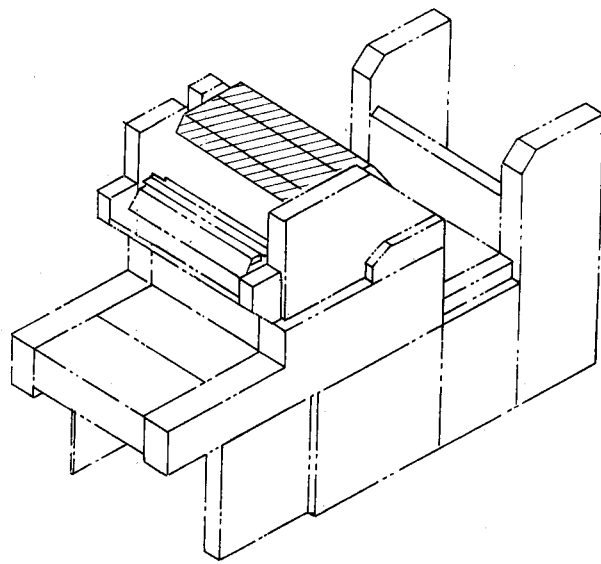
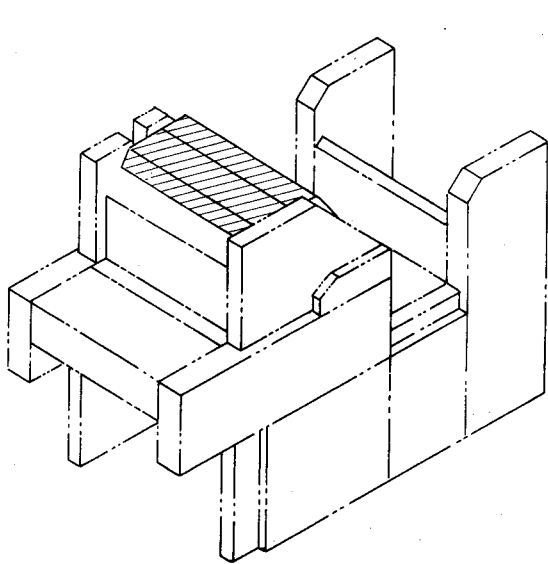
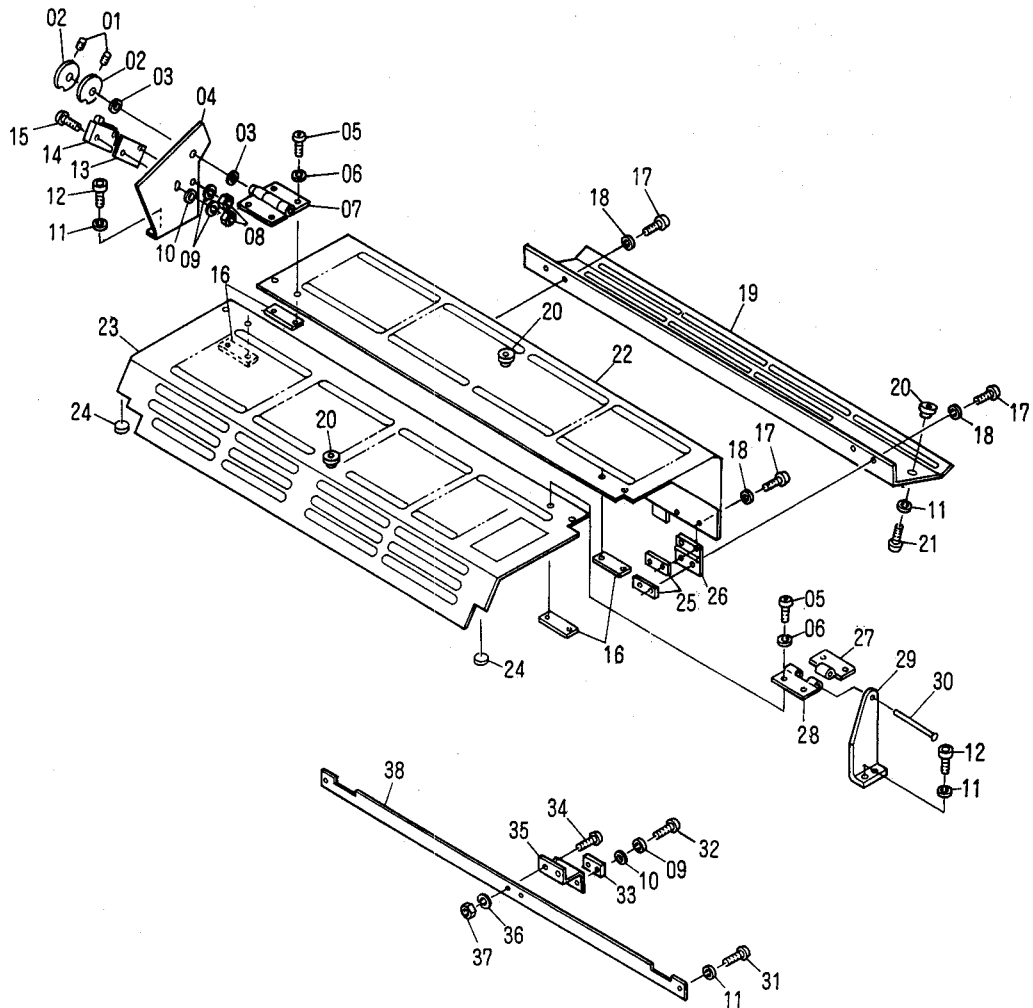
H5028



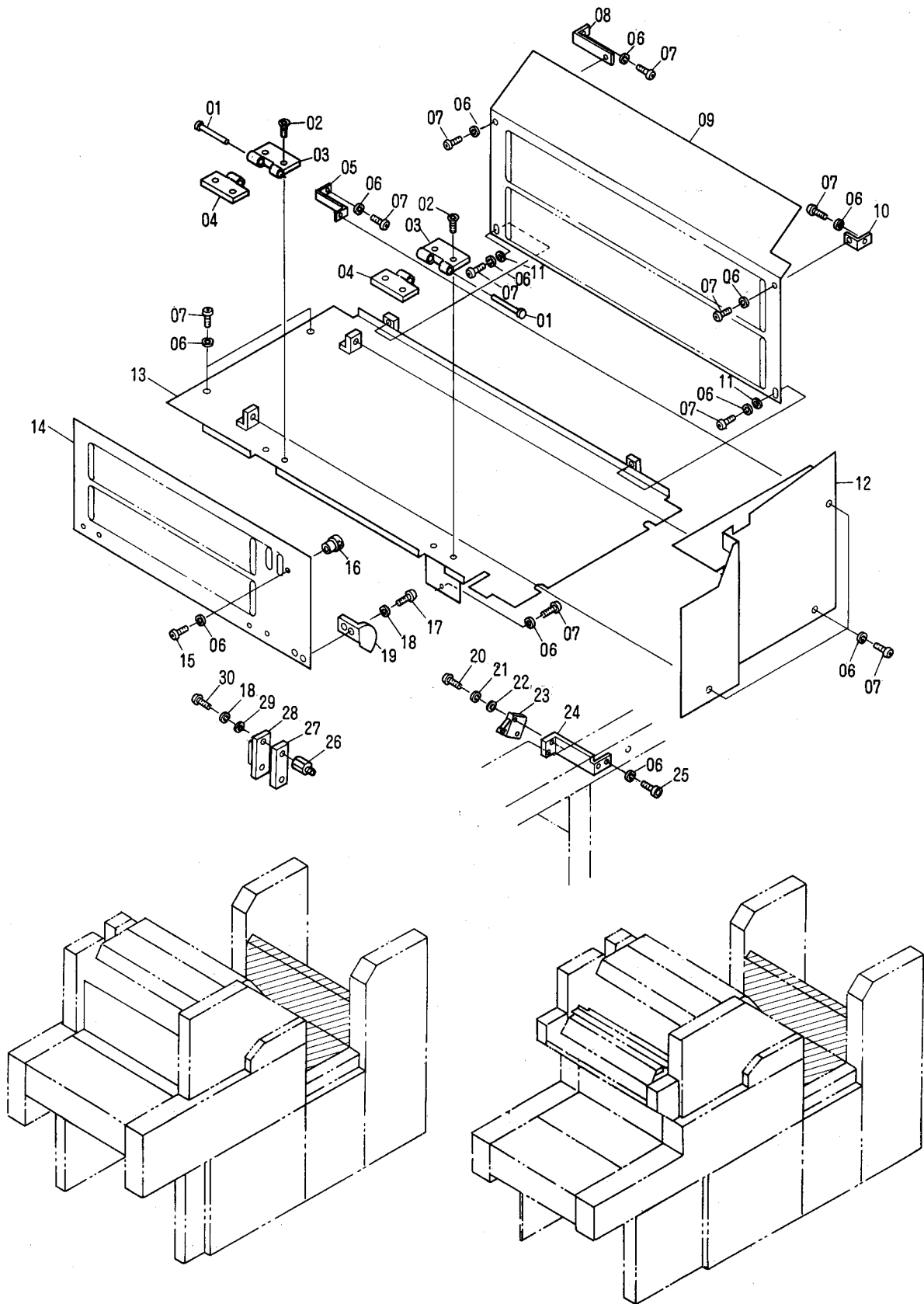
H5029



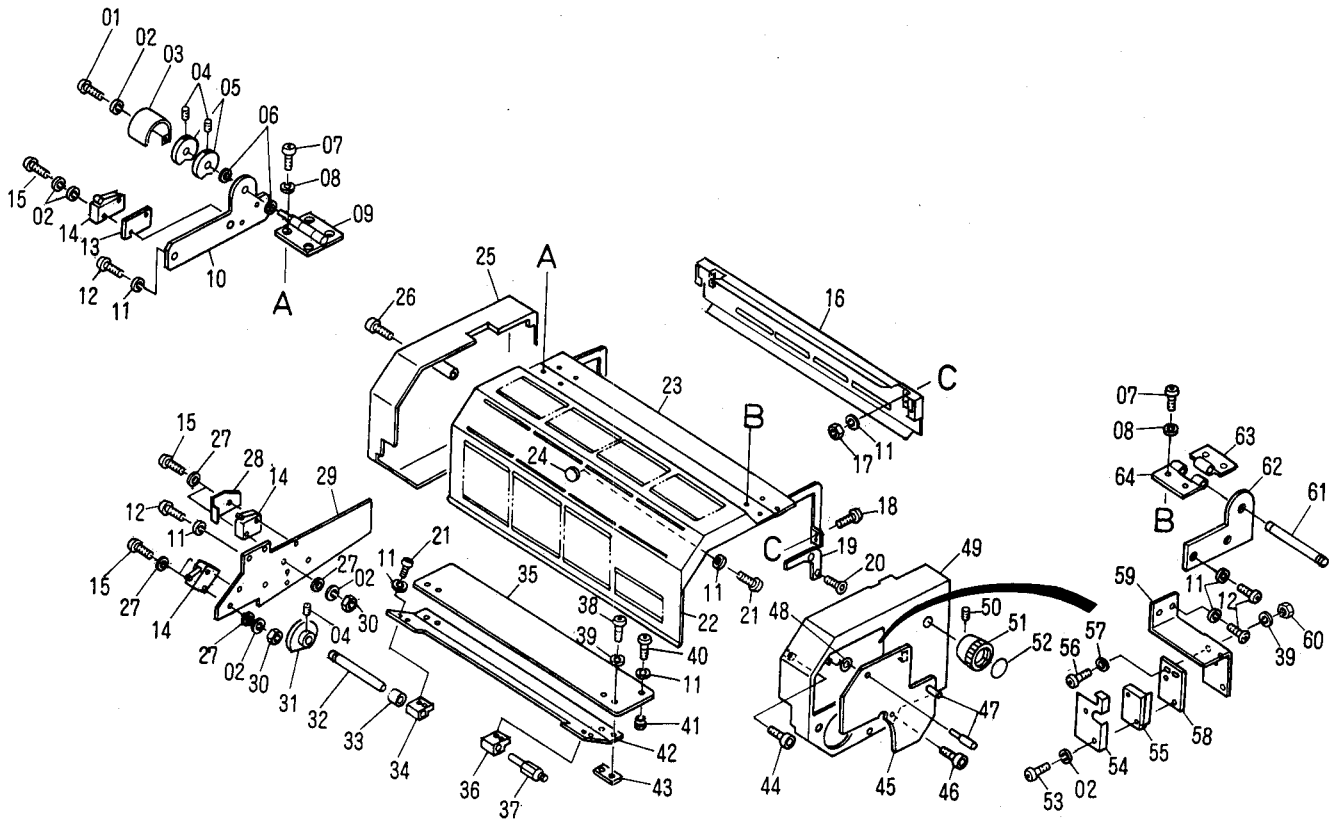
H5030



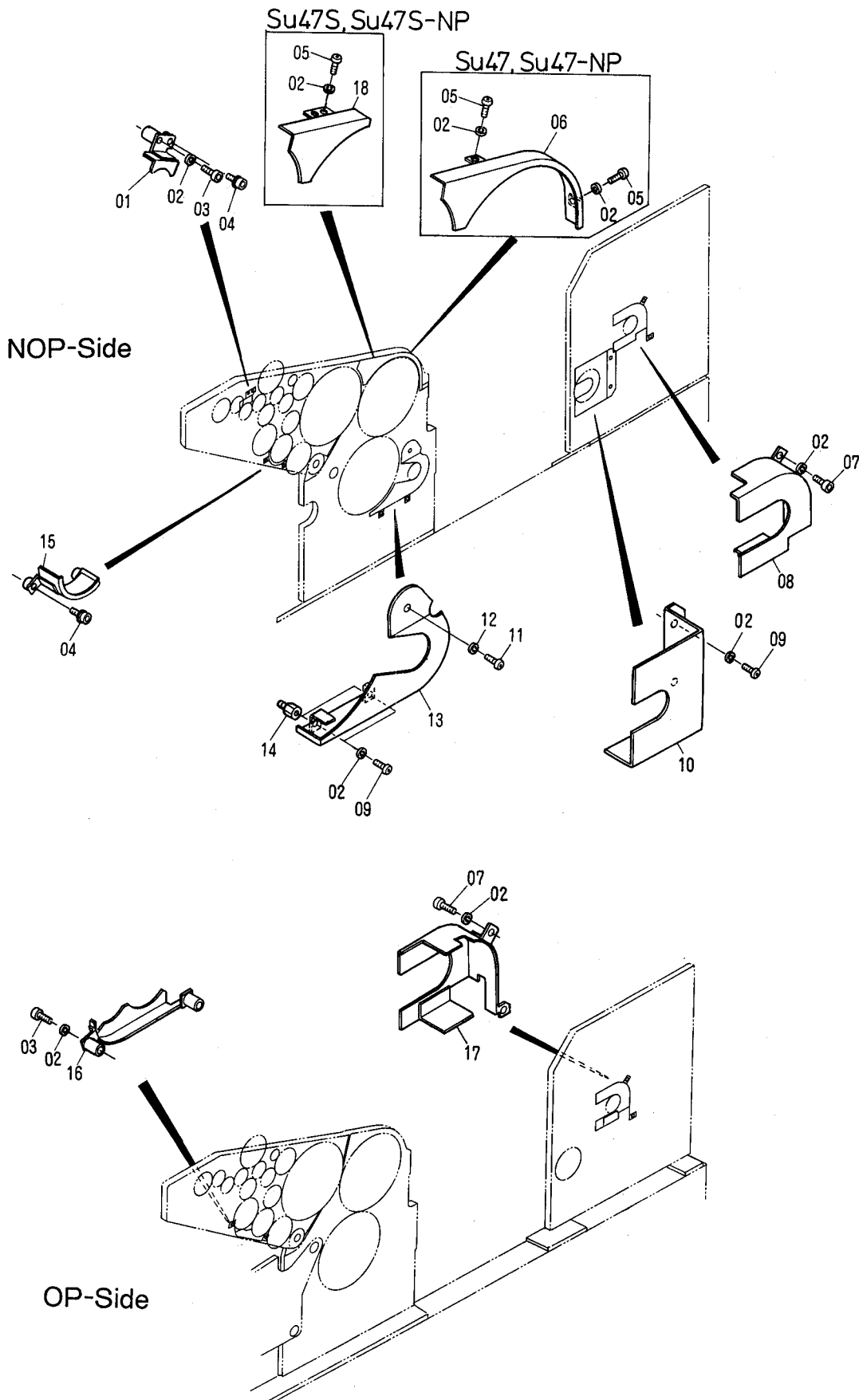
H5031



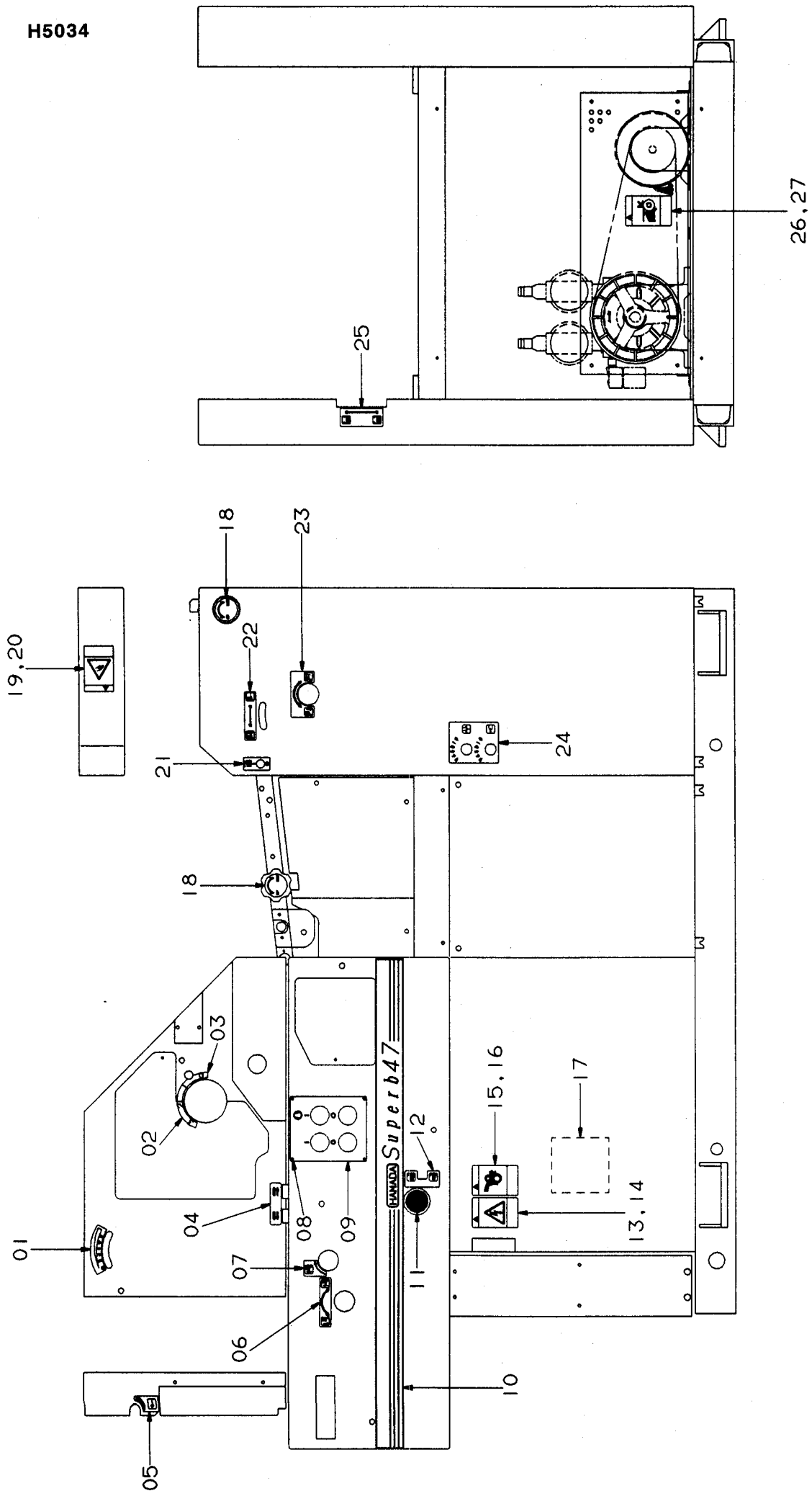
H5032



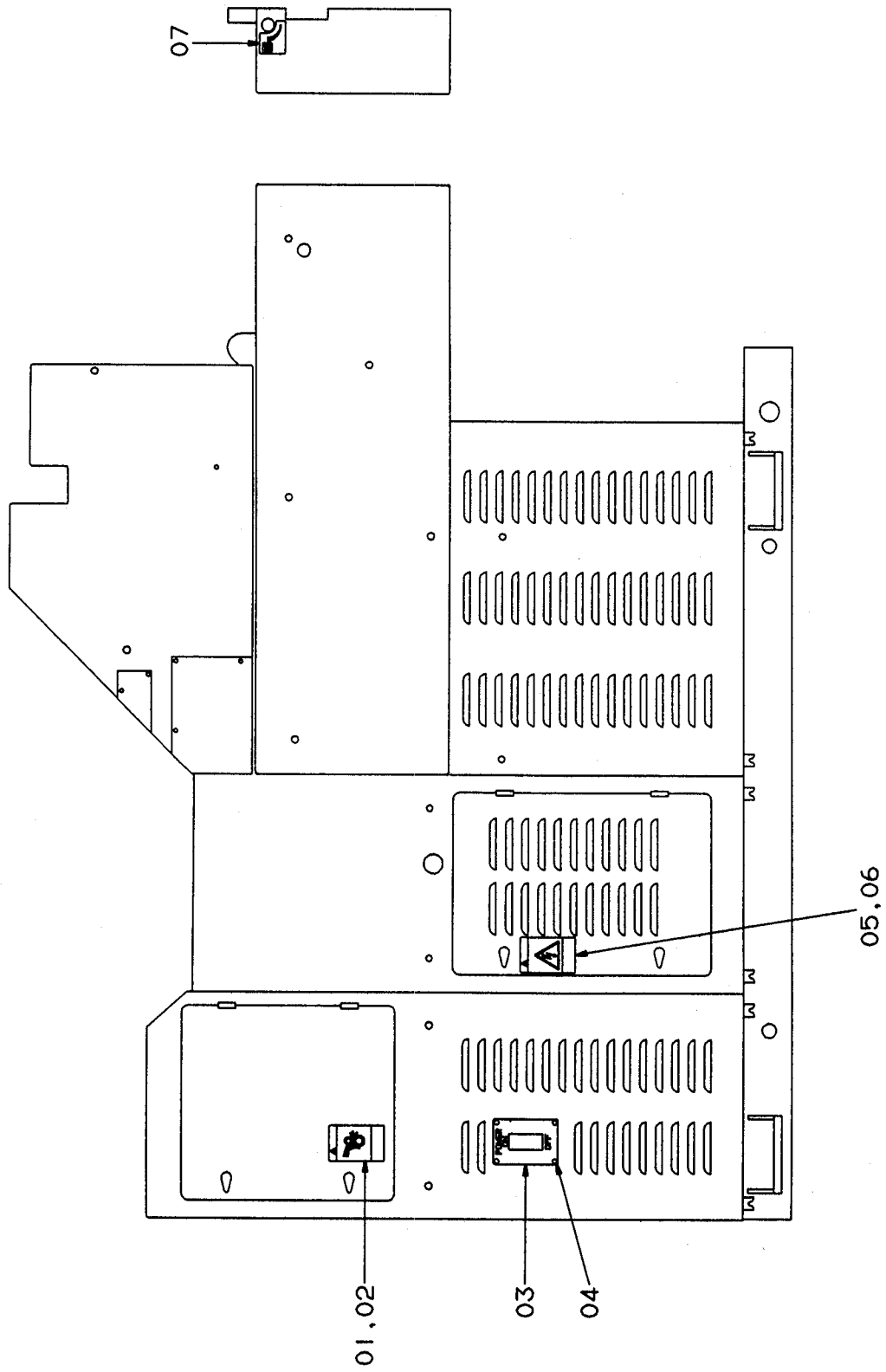
H5033



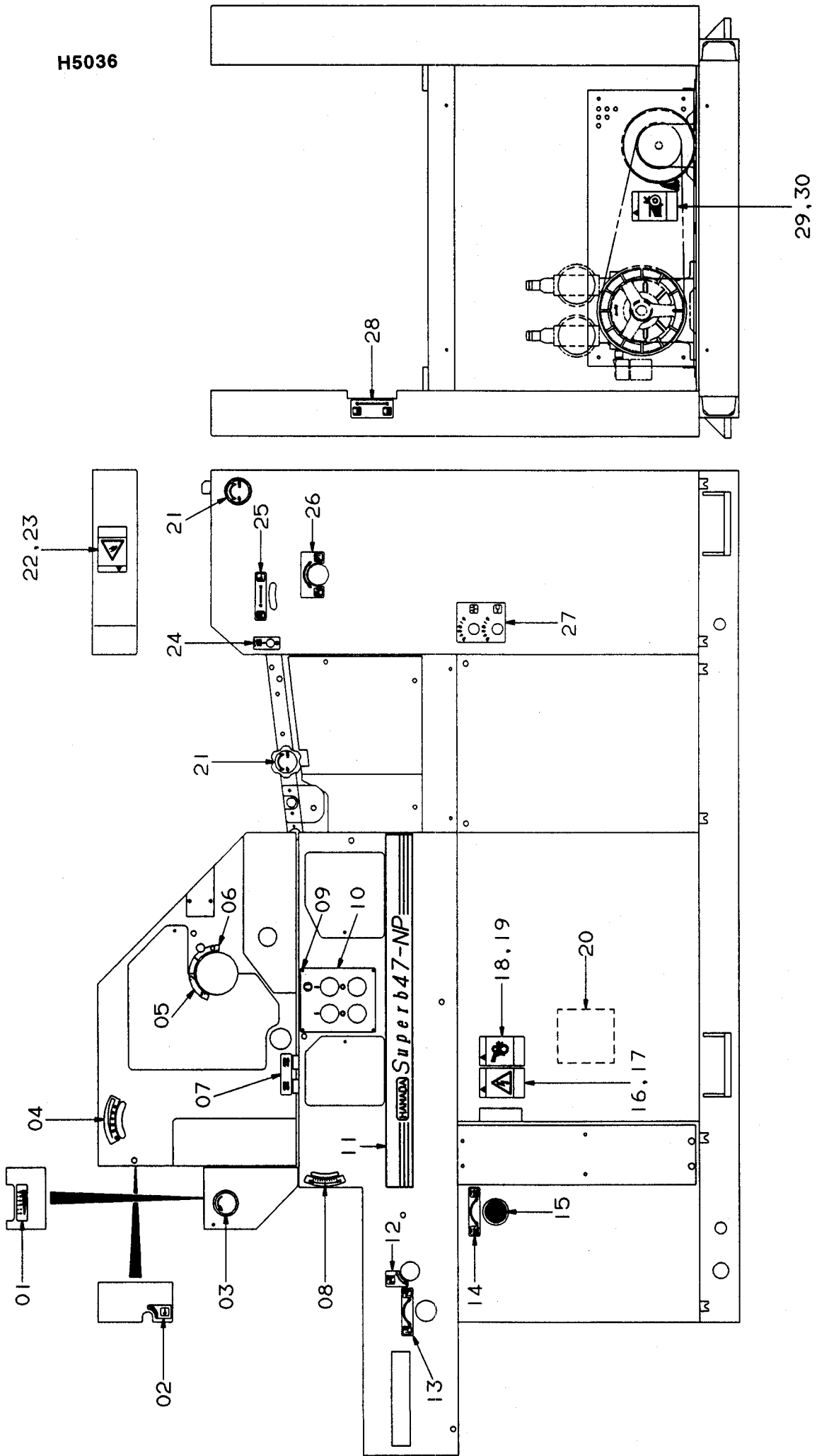
H5034



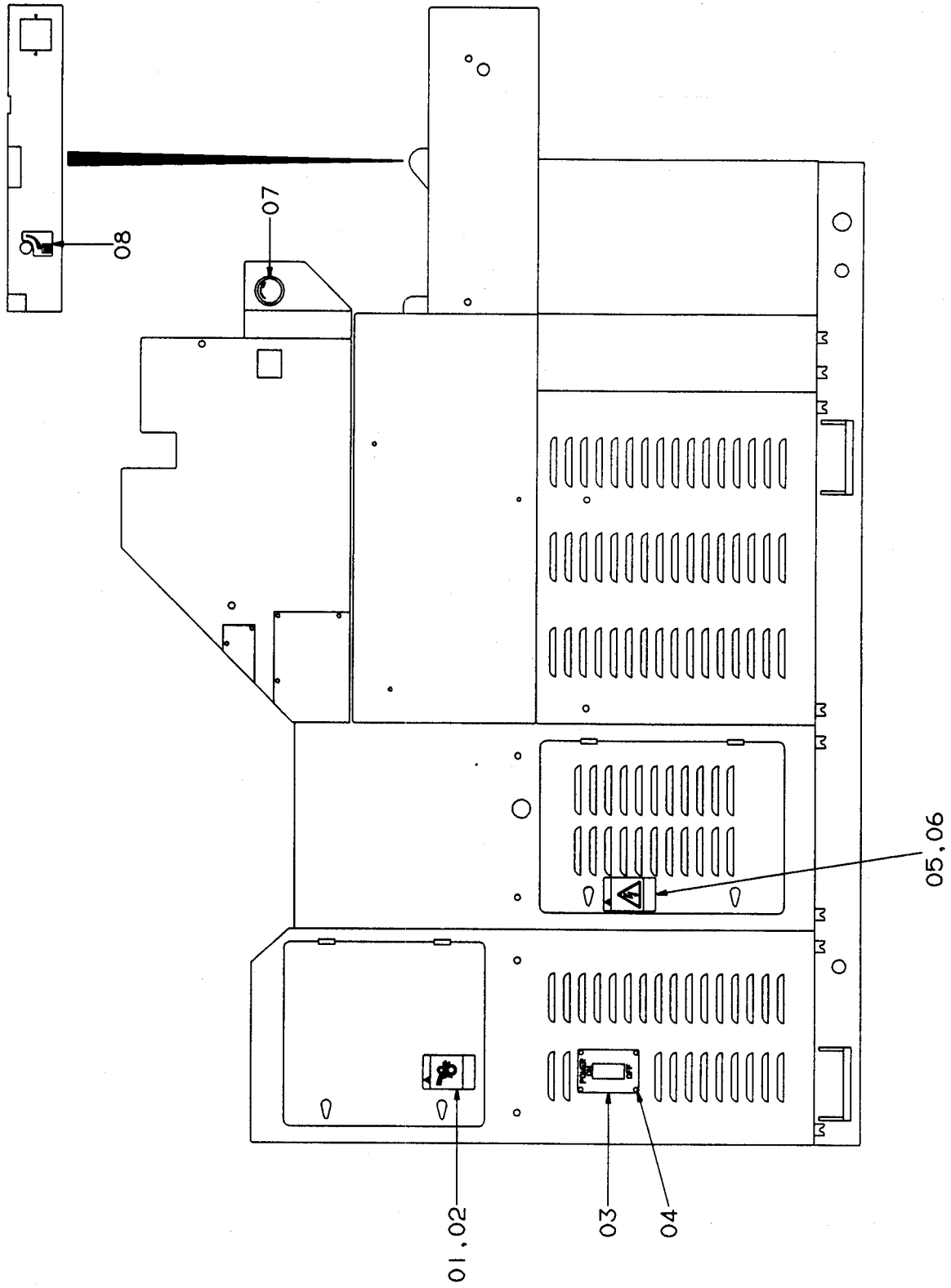
H5035



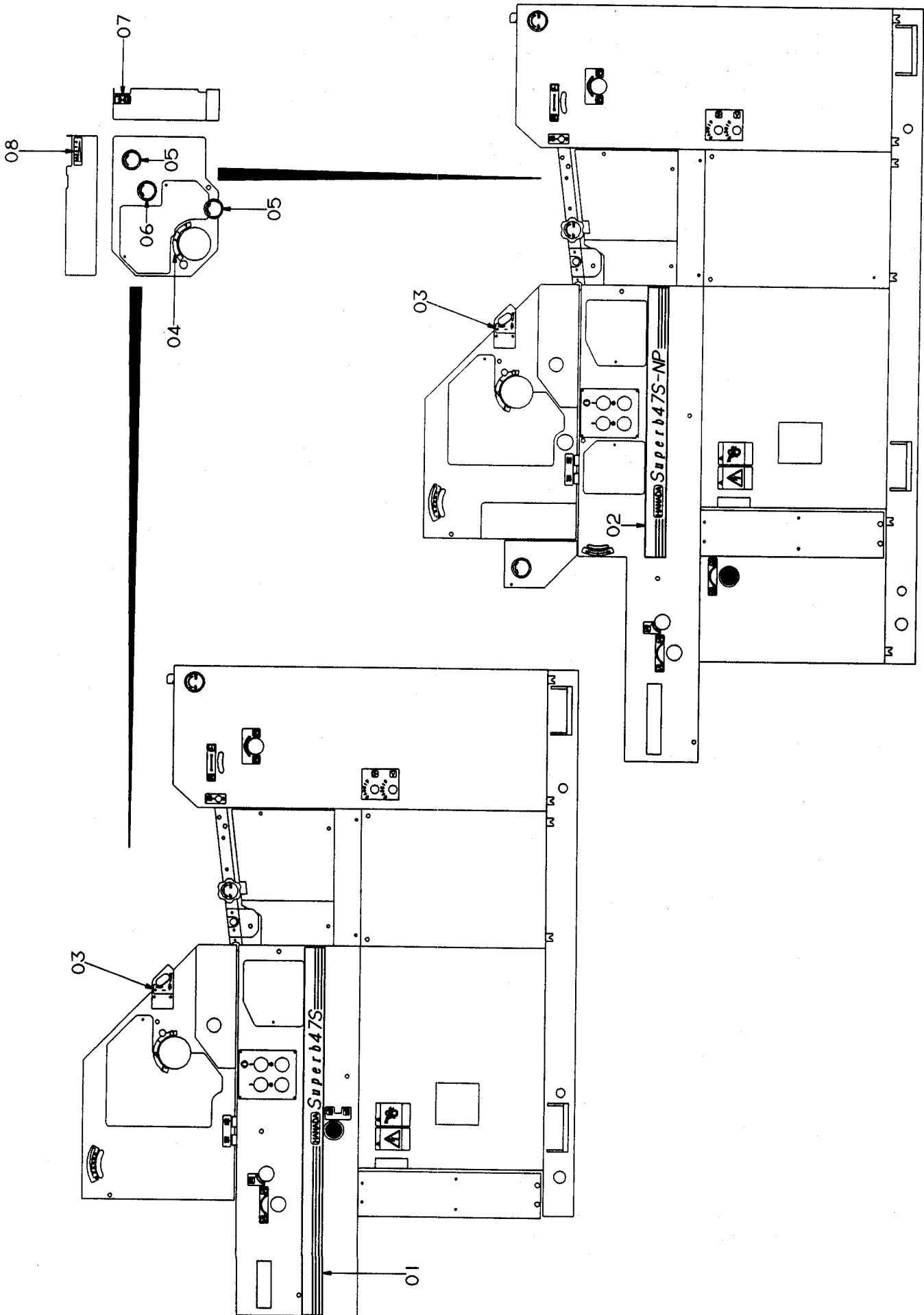
H5036



H5037



H5038



H5039

SIZE

150X100

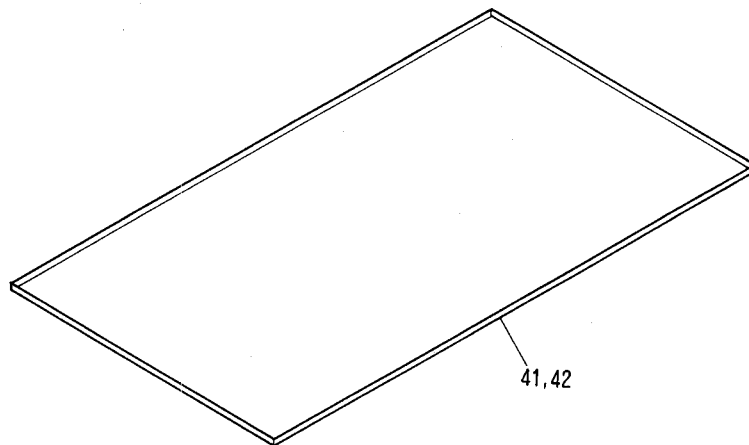
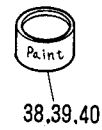
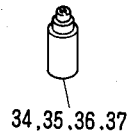
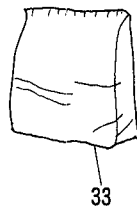
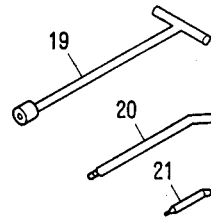
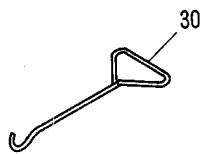
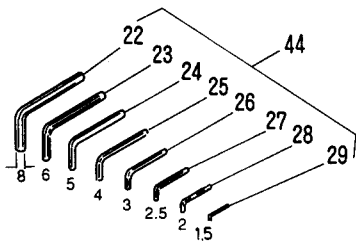
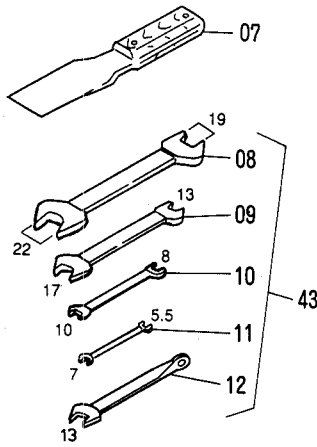
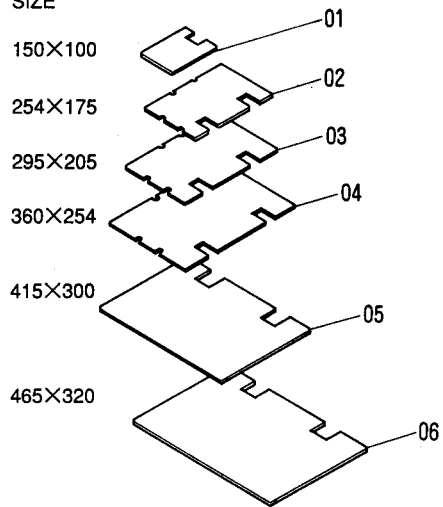
254X175

295X205

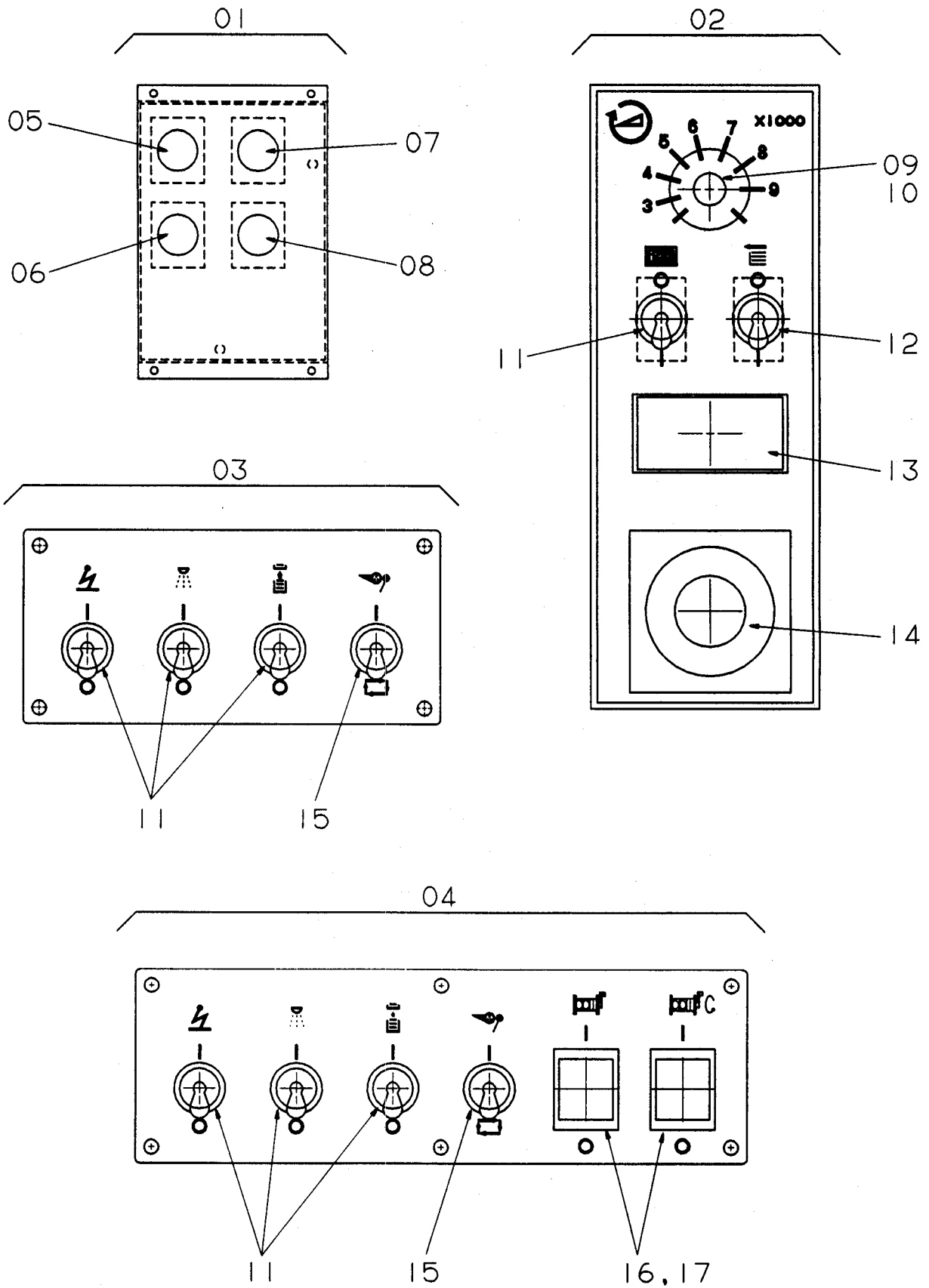
360X254

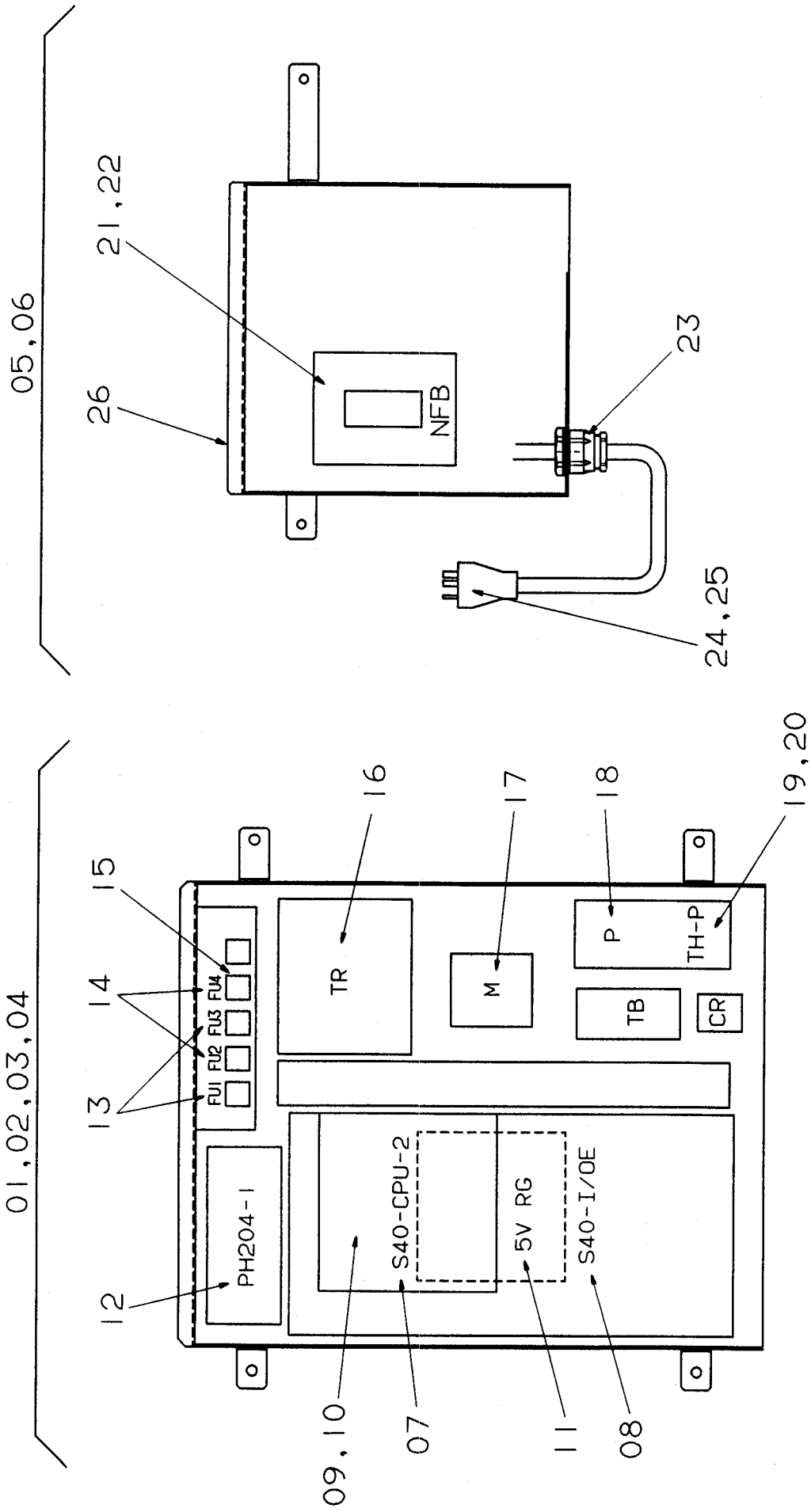
415X300

465X320

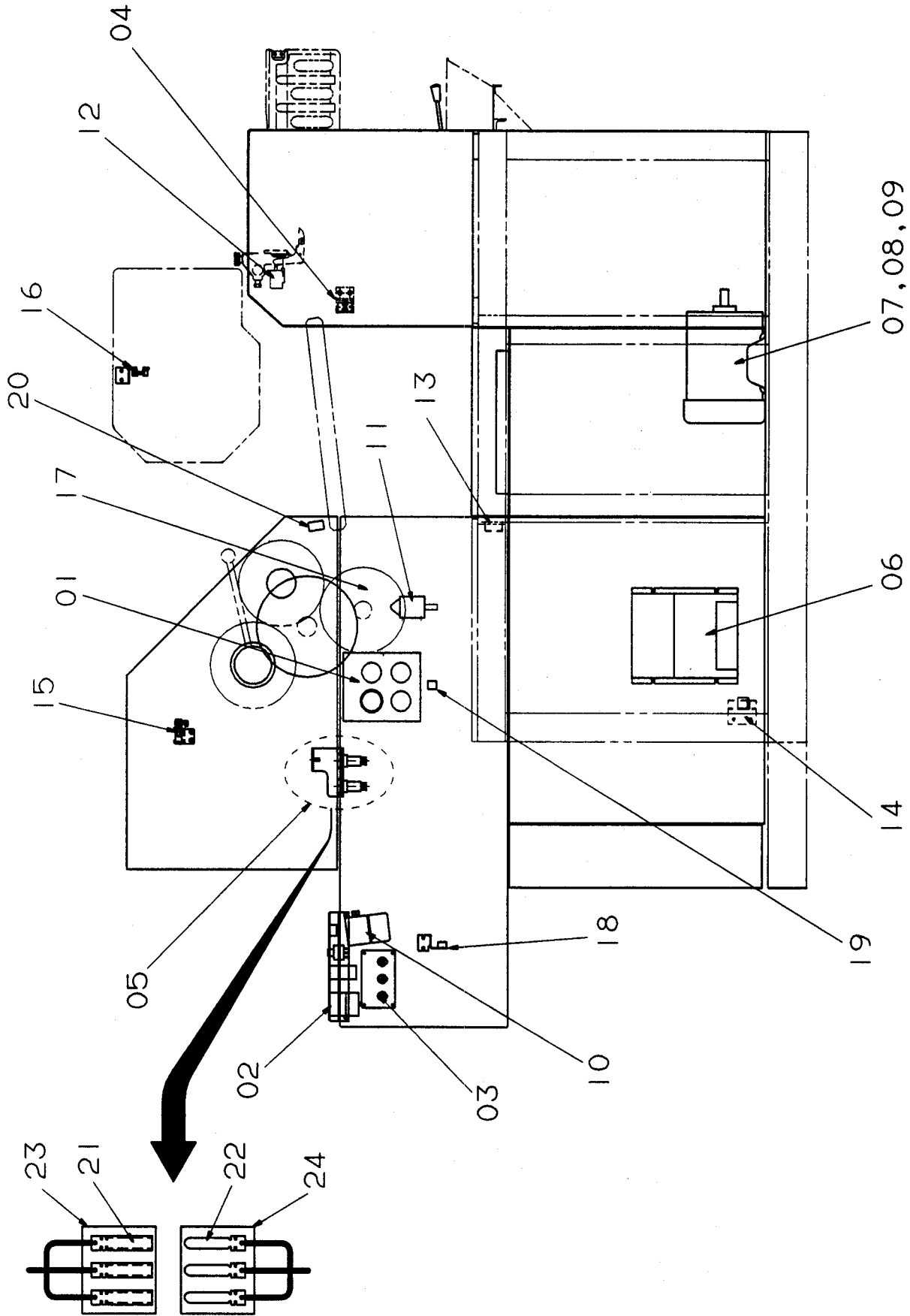


H5040

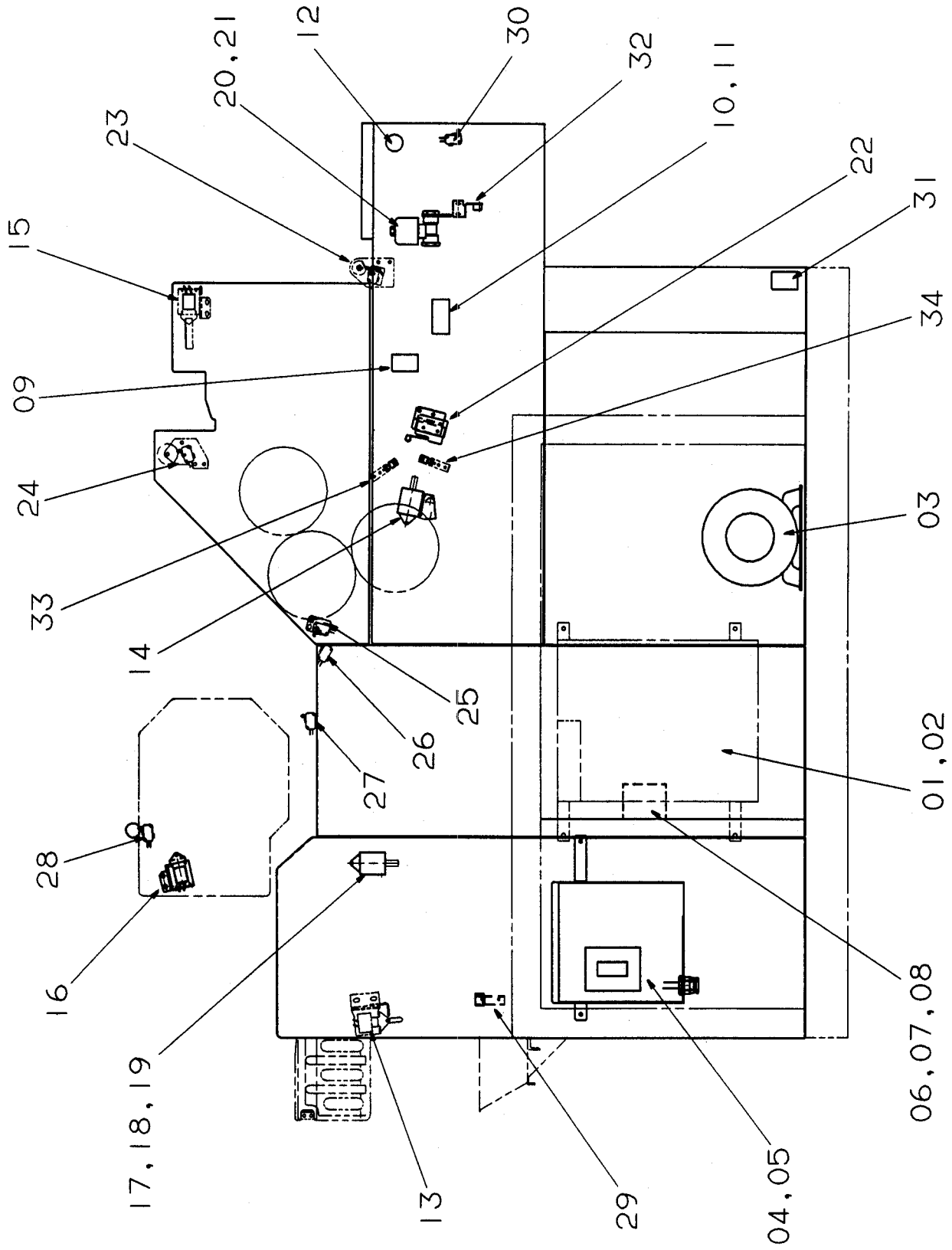




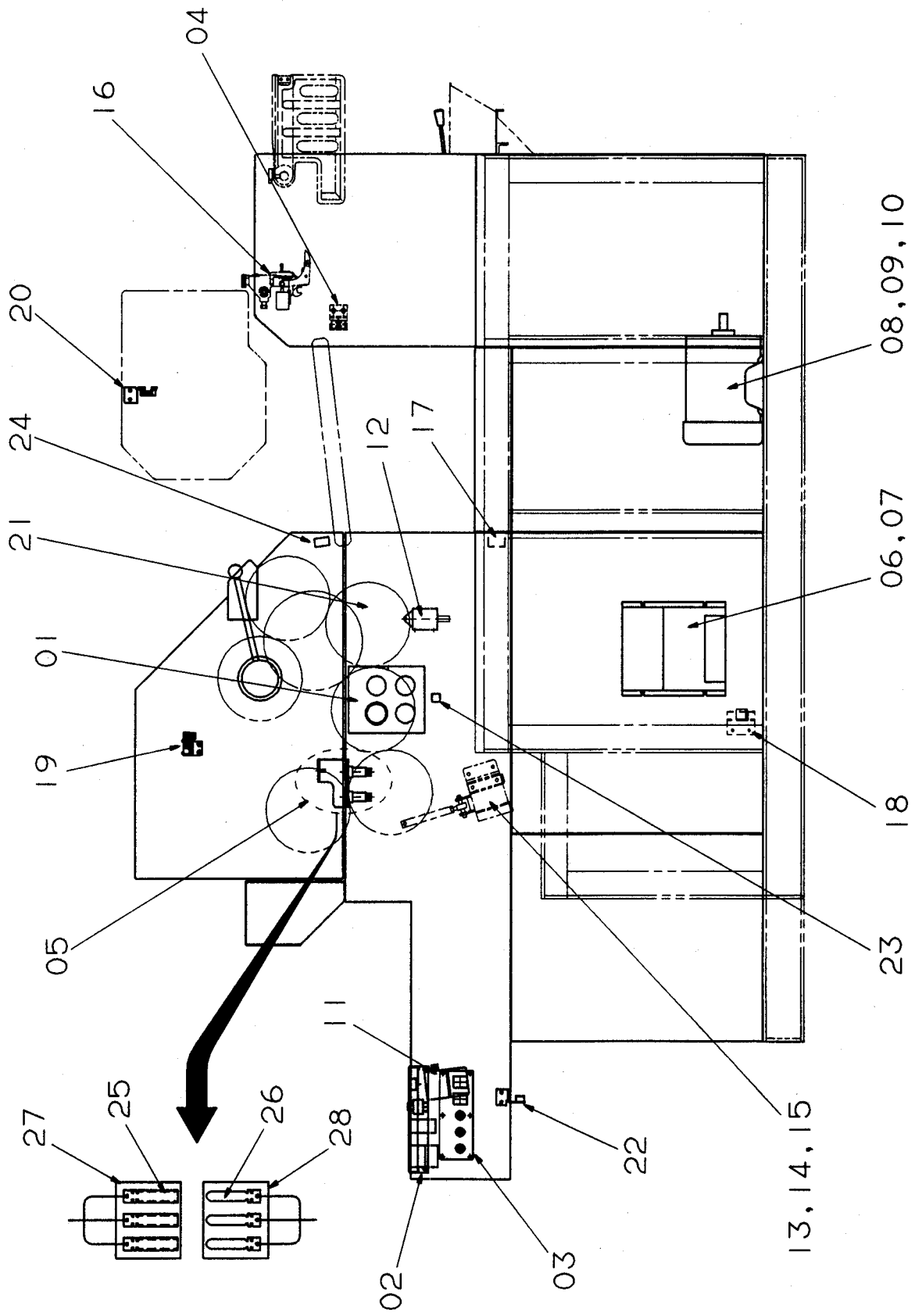
H5042

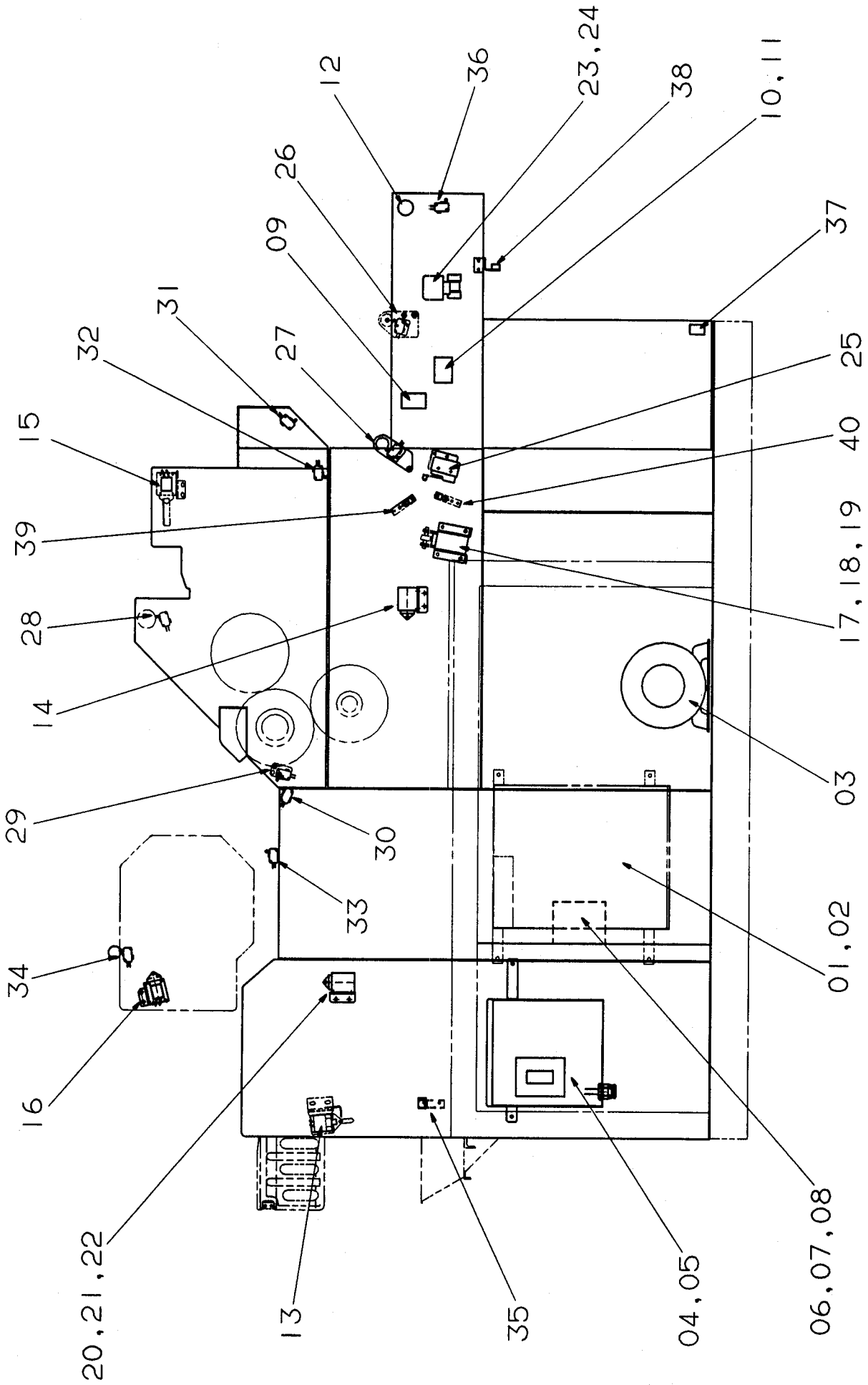


H5043



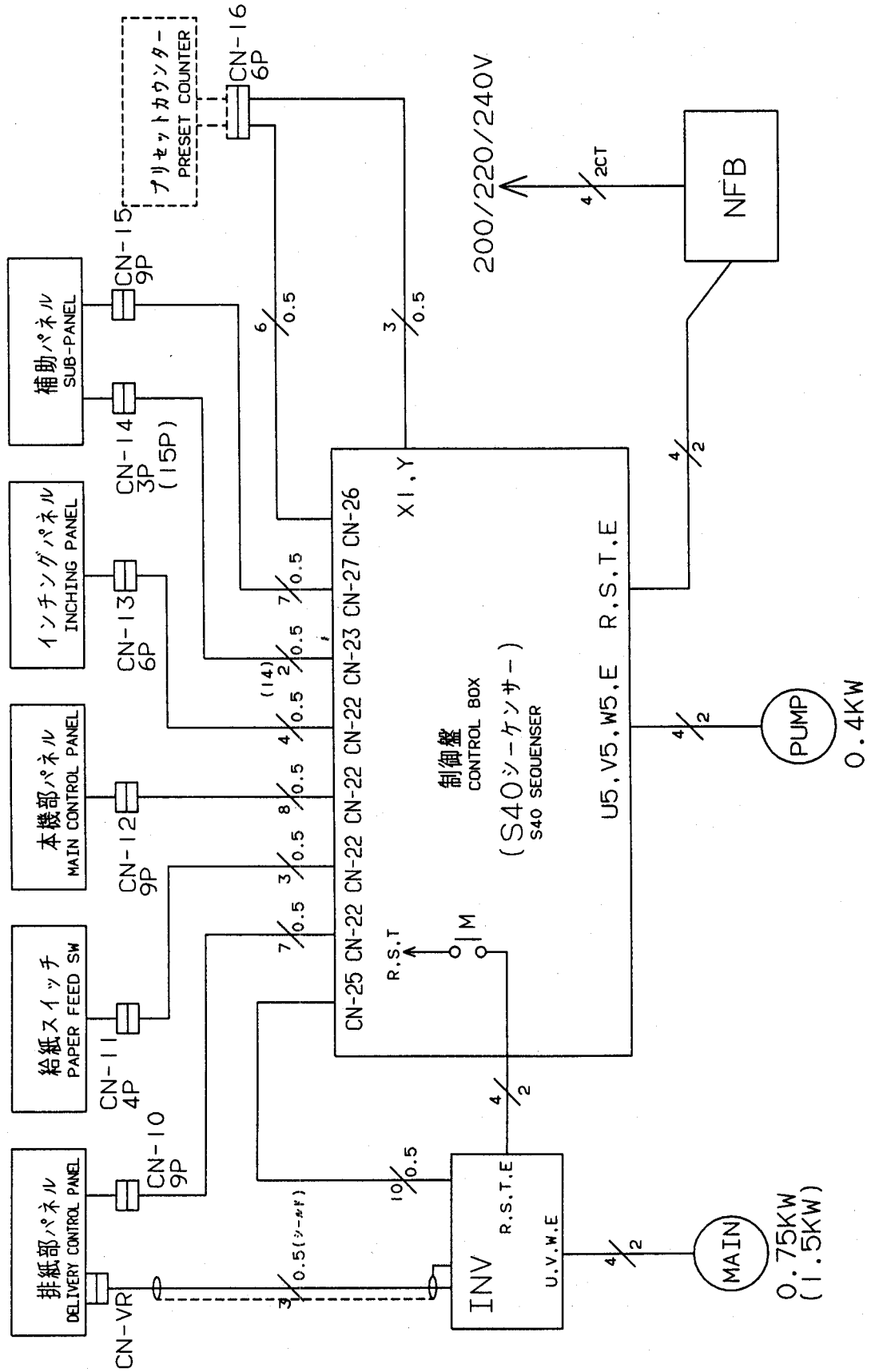
H5044





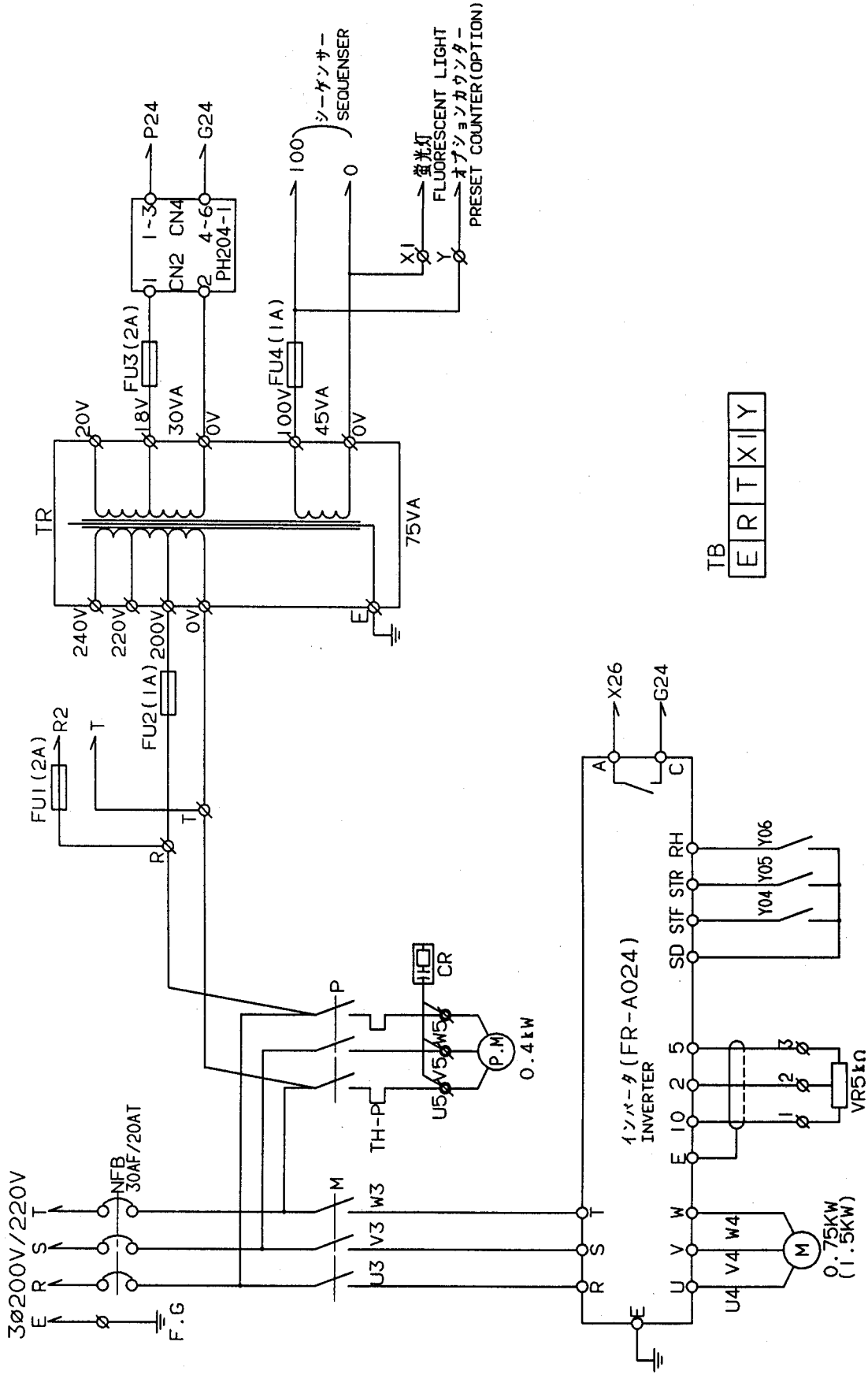
Su47	Su47S	Su47-NP	Su47S-NP
○	○	○	○

Superb47/Superb47-NP CONNECTIONS
Superb47/Superb47-NP 結線図



Su47	Su47S	Su47-NP	Su47S-NP
○	○	○	○

② Superb47/Superb47-NP CONNECTIONS
 ② Superb47/Superb47-NP 結線図



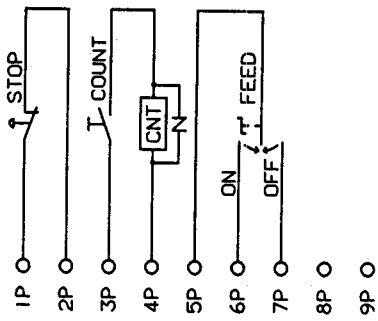
TB
 E R T X I Y

Su47	Su47S	Su47-NP	Su47S-NP
○	○	○	○

① Superb47/Superb47-NP CONNECTIONS
Superb47/Superb47-NP コネクタ表

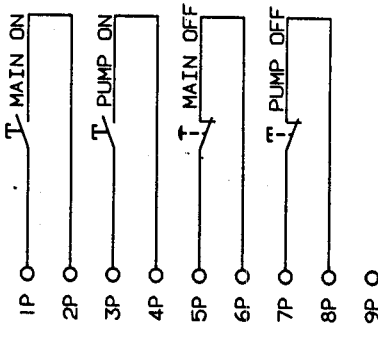
送紙部操作パネル
DELIVERY CONTROL PANEL

CN-10 (1-480278-0, AMP)



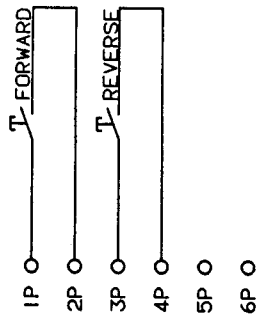
主操作パネル
MAIN CONTROL PANEL

CN-12 (1-480277-0, AMP)



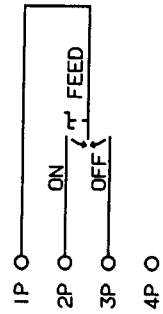
インチングスイッチ
INCHING SW

CN-13 (1-480276-0, AMP)



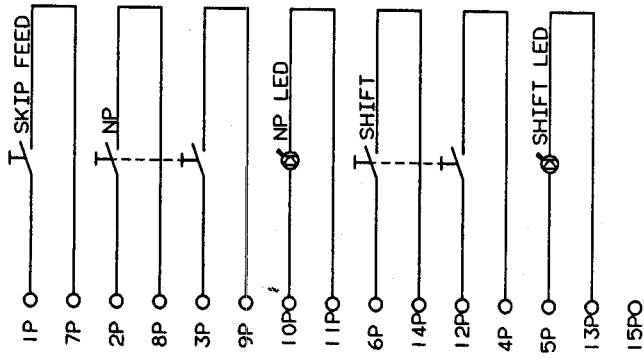
給紙スイッチ
PAPER FEED SW

CN-11



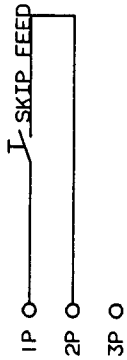
NP操作パネル
NP CONTROL PANEL

CN-14 (1-480324-0, AMP)



補助パネル
SUB-PANEL

CN-14 (1-480305-0, AMP)



補助パネル、NP操作パネル
SUB-PANEL, NP CONTROL PANEL

CN-15 (1-480277-0, AMP)

